

# **PARTS MANUAL**

---

**J2.0XN-J3.5XN  
(A276)**

**CUSTOMER EDITION**

---

***HYSTER***



**SECTIONS**

<b>1</b>	<b>FRAME</b>
<b>2</b>	<b>ELECTRICAL SYSTEM</b>
<b>3</b>	<b>DRIVE UNIT</b>
<b>4</b>	<b>STEERING SYSTEM</b>
<b>5</b>	<b>BRAKE/ACCELERATOR SYSTEM</b>
<b>6</b>	<b>HYDRAULIC SYSTEM</b>
<b>7</b>	<b>MAST-TWO STAGE LIMITED FREE-LIFT</b>
<b>8</b>	<b>MAST-THREE STAGE FULL FREE-LIFT</b>
<b>9</b>	<b>MAST-TWO STAGE FULL FREE-LIFT</b>
<b>10</b>	<b>OPTIONS</b>
<b>11</b>	<b>FIELD SERVICE KITS</b>
<b>12</b>	<b>NUMERICAL INDEX</b>

This Parts Manual is divided into 12 major sections which are listed above. Quick reference to these sections can be made by placing the right thumb on the tab of the desired section, bending the book back and thumbing the pages to the corresponding tab.



**TABLE OF CONTENTS**

DESCRIPTION	PAGE
<b>A</b>	
ACCELERATOR PEDAL ASSEMBLY (MONOTROL) .....	5-3
ACCELERATOR PEDAL ASSEMBLY (STANDARD) .....	5-2
ACCUMULATOR .....	10-2
ADD ON OPTION KITS .....	11-4
ARMREST SLIDER ASSEMBLY	
→ 9/2010 .....	1-42
9/2010 → .....	1-44
AUXILIARY EXTENSION TUBES .....	11-3
AUXILIARY HOSES	
WITH ELECTRO-HYDRAULIC VALVE .....	10-32
WITH MANUAL-HYDRAULIC VALVE .....	10-34
AUXILIARY PLUG AND WIRE HARNESS .....	2-41
AUXILIARY TUBE EXTENSIONS	
TWO AND THREE STAGE FULL FREE-LIFT (→ S/N D508V27242H) (→ S/N D509V02103H) (→ S/N D563V11350H) (→ S/N D564V02121H) .....	10-50
TWO AND THREE STAGE FULL FREE-LIFT (S/N D508V27243H →) (S/N D509V02104H →) (S/N D563V11351H →) (S/N D564V02122H →) .....	10-52
TWO AND THREE STAGE FULL FREE-LIFT - E-HYDRAULICS WITH QUICK DISCONNECT FITTINGS (S/N D508V27243H →) (S/N D509V02104H →) (S/N D563V11351H →) (S/N D564V02122H →) .....	10-54
TWO STAGE LIMITED FREE-LIFT (→ S/N D507V02972H) (→ S/N D562V02053H) .....	10-36
TWO STAGE LIMITED FREE-LIFT - WITHOUT QUICK DISCONNECT FITTINGS (S/N D507V02973H →) (S/N D562V02054H →) .....	10-38
TWO STAGE LIMITED FREE-LIFT - MANUAL HYDRAULICS WITH QUICK DISCONNECT FITTINGS (S/N D507V02973H →) (S/N D562V02054H →) .....	10-40
TWO STAGE LIMITED FREE-LIFT - E-HYDRAULICS WITH QUICK DISCONNECT FITTINGS (S/N D507V02973H →) (S/N D562V02054H →) .....	10-42
TWO STAGE LIMITED FREE-LIFT - WITH ISS CARRIAGE AND WITHOUT QUICK DISCONNECT FITTINGS (S/N D507V02973H →) (S/N D562V02054H →) .....	10-44
TWO STAGE LIMITED FREE-LIFT - WITH ISS CARRIAGE AND MANUAL HYDRAULICS WITH QUICK DISCONNECT FITTINGS (S/N D507V02973H →) (S/N D562V02054H →) .....	10-46
TWO STAGE LIMITED FREE-LIFT - WITH ISS CARRIAGE AND E-HYDRAULICS WITH QUICK DISCONNECT FITTINGS (S/N D507V02973H →) (S/N D562V02054H →) .....	10-48
<b>B</b>	
BATTERY CONNECTOR AND CABLE ASSEMBLY	
WITH RAPID CHARGE OPTION .....	2-40
WITHOUT RAPID CHARGE OPTION .....	2-38
BATTERY REMOVAL .....	1-16
BATTERY RETENTION AND SPACERS .....	1-18
BRAKE ASSEMBLY .....	3-18
BRAKE PEDAL LINKAGE .....	5-4
<b>C</b>	
CAB	
DOOR INSTALLATION .....	1-58
FRONT PANEL AND WIPER .....	1-50
FRONT PANEL ASSEMBLY .....	1-54

## TABLE OF CONTENTS (continued)

DESCRIPTION	PAGE
FRONT WIPER ASSEMBLY .....	1-56
FULL STEEL .....	1-46
FUSE ASSEMBLY .....	1-52
HEATER .....	1-64
HEATER ASSEMBLY .....	1-66
LEFT HAND DOOR ASSEMBLY .....	1-60
REAR PANEL AND WIPER .....	1-74
REAR PANEL ASSEMBLY .....	1-76
RIGHT HAND DOOR ASSEMBLY .....	1-62
ROOF PANEL ASSEMBLY .....	1-72
TOP PANEL AND ROOF LINER .....	1-68
TOP PANEL ASSEMBLY .....	1-70
WINDOW - LH DOOR .....	1-78
WINDOW - RH DOOR .....	1-80
WITH PVC DOORS .....	1-48
CAB KITS	
CARRIAGE	
THREE STAGE FULL FREE-LIFT .....	8-34
TWO STAGE FULL FREE-LIFT .....	9-20
TWO STAGE LIMITED FREE-LIFT .....	7-14
CONTACTOR .....	2-20
CONTACTOR ASSEMBLY .....	2-18
CONTROL PANEL	
PUMP (→ S/N A276B03242K (LONG WHEEL BASE)) (→ S/N A276B03248K (SHORT WHEEL BASE)) .....	2-22
PUMP - WITH INTEGRATED HEATSINK (S/N A276B03243K → (LONG WHEEL BASE)) (S/N A276B03249K → (SHORT WHEEL BASE)) .....	2-24
TRACTION MOTOR (→ S/N A276B03242K (LONG WHEEL BASE)) (→ S/N A276B03248K (SHORT WHEEL BASE)) .....	2-26
TRACTION MOTOR - WITH INTEGRATED HEATSINK (S/N A276B03243K → (LONG WHEEL BASE)) (S/N A276B03249K → (SHORT WHEEL BASE)) .....	2-28
CONTROL PANELS .....	2-16
COUNTERWEIGHT .....	1-8
<b>D</b>	
DC-DC CONVERTER .....	10-4
DIRECTIONAL CONTROL CONVERSION KIT .....	11-4
DISC BRAKE ASSEMBLY .....	3-24
DISPLAY .....	2-6
DOME LIGHT .....	10-6
DRIP SHIELDS AND STATIC STRAP .....	1-15
DRIVE TIRE AND WHEEL .....	3-2
<b>E</b>	
ELECTRICAL ARRANGEMENT .....	2-4
<b>F</b>	
FENDER .....	1-22
FLOOR PLATES AND COVERS .....	1-12
FORKS .....	1-86

**TABLE OF CONTENTS (continued)**

<b>DESCRIPTION</b>	<b>PAGE</b>
FREE-LIFT	
THREE STAGE FULL FREE-LIFT .....	8-18
TWO STAGE FULL FREE-LIFT .....	9-12
FREE-LIFT CYLINDERS	
THREE STAGE FULL FREE-LIFT .....	8-22
TWO STAGE FULL FREE-LIFT .....	9-16
<b>H</b>	
HEADER HOSE CONVERSION KITS	
HEADER HOSES	
THREE STAGE FULL FREE-LIFT (→ S/N D508B24531J) (→ S/N D563B20447J) .....	8-26
THREE STAGE FULL FREE-LIFT (S/N D508B24532J →) (S/N D563B20448J →) .....	8-30
TWO STAGE FULL FREE-LIFT .....	9-22
TWO STAGE LIMITED FREE-LIFT .....	7-16
HOOD .....	1-4
WITH RAPID CHARGE OPTION .....	1-6
HUB HOUSING (LEFT AND RIGHT HAND) .....	3-8
HYDRAULIC CONTROL VALVE AND ATTACHING PARTS	
ELECTRONIC - THREE AND FOUR FUNCTION .....	6-36
MANUAL - THREE AND FOUR FUNCTION .....	6-28
HYDRAULIC CONTROL VALVE ASSEMBLY	
ELECTRONIC - THREE AND FOUR FUNCTION .....	6-38
MANUAL - THREE AND FOUR FUNCTION .....	6-30
HYDRAULIC FILTER HOUSING .....	6-14
HYDRAULIC HOSES	
HOIST, TILT AND MAST .....	6-8
PARKING BRAKE VALVE .....	6-10
STEER AXLE .....	6-6
STEERING .....	6-4
SUPPLY AND RETURN .....	6-2
HYDRAULIC PUMP	
19 CC .....	6-18
HYDRAULIC PUMP AND MOTOR ASSEMBLY	
72/80 VOLT .....	6-16
HYDRAULIC TANK AND ATTACHING PARTS .....	6-12
HYDRAULIC VALVE CONVERSION KIT .....	11-2
<b>I</b>	
IMPACT SENSOR .....	10-8
INNER MAST	
THREE STAGE FULL FREE-LIFT .....	8-8
TWO STAGE FULL FREE-LIFT .....	9-4
TWO STAGE LIMITED FREE-LIFT .....	7-4
INTEGRAL SIDE-SHIFT	
FORK POSITIONER - TWO STAGE LIMITED FREE-LIFT .....	10-22
FORK POSITIONER - THREE STAGE FULL FREE-LIFT .....	10-24
FORK POSITIONER - TWO STAGE FULL FREE-LIFT .....	10-26
INTEGRAL SIDE-SHIFT CARRIAGE	
THREE STAGE FULL FREE-LIFT .....	10-18

## TABLE OF CONTENTS (continued)

DESCRIPTION	PAGE
TWO STAGE FULL FREE-LIFT .....	10-20
TWO STAGE LIMITED FREE-LIFT .....	10-16
INTEGRAL SIDE-SHIFT CYLINDER .....	10-30
INTEGRAL SIDE-SHIFT HYDRAULIC HOSES	
TWO AND THREE STAGE FULL FREE-LIFT .....	10-29
TWO STAGE LIMITED FREE-LIFT .....	10-28
INTERMEDIATE MAST	
THREE STAGE FULL FREE-LIFT .....	8-4
<b>L</b>	
LABELS	
EXTERIOR .....	1-24
HYDRAULIC CONTROL FUNCTIONS .....	1-28
INTERIOR .....	1-26
LIGHT KITS .....	11-4
LIGHTS	
STOP, TAIL, TURN, BACK-UP, AND STROBE - WITH OVERHEAD GUARD .....	2-8
LOAD BACKREST EXTENSION .....	1-84
<b>M</b>	
MAIN LIFT	
THREE STAGE FULL FREE-LIFT .....	8-10
TWO STAGE FULL FREE-LIFT .....	9-6
TWO STAGE LIMITED FREE-LIFT .....	7-6
MAIN LIFT CYLINDER	
LEFT HAND - TWO STAGE FULL FREE-LIFT .....	9-10
RIGHT HAND - TWO STAGE FULL FREE-LIFT .....	9-8
THREE STAGE FULL FREE-LIFT .....	8-14
TWO STAGE LIMITED FREE-LIFT .....	7-10
MANUAL CONTROL LEVERS .....	6-24
MASTER CYLINDER .....	5-6
MINI-LEVER CONTROLS	
3 FUNCTION .....	2-42
4 FUNCTION .....	2-44
MIRROR (PANORAMIC) .....	10-12
MIRROR (STANDARD) .....	10-10
MISCELLANEOUS ADD-ON OPTION KITS .....	11-2
<b>O</b>	
OPERATOR COMPARTMENT .....	1-20
OUTER MAST	
THREE STAGE FULL FREE-LIFT .....	8-2
TWO STAGE FULL FREE-LIFT .....	9-2
TWO STAGE LIMITED FREE-LIFT .....	7-2
OVERHEAD GUARD .....	1-2
<b>P</b>	
PARK BRAKE ACTUATOR .....	3-20
PARK BRAKE RELEASE .....	5-8
PARKING BRAKE VALVE .....	5-10



**TABLE OF CONTENTS (continued)**

<b>DESCRIPTION</b>	<b>PAGE</b>
<b>POWER CABLES</b>	
→ S/N A276B03242K (LONG WHEEL BASE) → S/N A276B03248K (SHORT WHEEL BASE) .....	2-30
WITH INTEGRATED HEATSINK (S/N A276B03243K → (LONG WHEEL BASE)) (S/N A276B03249K → (SHORT WHEEL BASE)) .....	2-34
<b>PUMP MOTOR</b>	
72/80 VOLT .....	6-20
<b>PVC DOOR KIT</b> .....	1-82
<b>R</b>	
<b>REAR DRIVE HANDLE</b> .....	10-14
<b>S</b>	
<b>SEAT</b>	
FULL SUSPENSION, HIGH BACK - SHEET 1 OF 2 .....	1-36
FULL SUSPENSION, HIGH BACK - SHEET 2 OF 2 .....	1-40
<b>SEATS</b>	
FULL SUSPENSION - SHEET 1 OF 2 .....	1-30
FULL SUSPENSION - SHEET 2 OF 2 .....	1-34
<b>SERVICE BRAKE ACTUATOR</b> .....	3-22
<b>SIDE PANELS</b> .....	1-10
<b>SPUR GEAR SET</b> .....	3-10
<b>STEER COLUMN</b>	
FIXED .....	4-6
TELESCOPIC .....	4-8
<b>STEER PUMP ASSEMBLY</b> .....	4-12
<b>STEER TIRE AND WHEEL</b> .....	4-14
<b>STEERING ACCUMULATOR</b> .....	4-10
<b>STEERING AXLE</b> .....	4-2
<b>STEERING CYLINDER</b> .....	4-4
<b>T</b>	
<b>TILT CYLINDER AND MAST INSTALLATION</b> .....	6-42
<b>TILT CYLINDERS</b>	
J2.2-2.5XN .....	6-44
J3.0-3.5XN .....	6-46
<b>TILT SENSOR GROUP</b> .....	2-47
<b>TRACTION MOTOR</b>	
80 VOLT .....	3-12
<b>TRACTION MOTOR HOUSING</b>	
LEFT HAND .....	3-14
RIGHT HAND .....	3-16
<b>TRANSAXLE AND ATTACHING PARTS</b> .....	3-4
<b>TRANSAXLE ASSEMBLY</b> .....	3-6
<b>TRANSAXLE OUTPUT ASSEMBLY</b> .....	3-11
<b>TURN SIGNAL</b> .....	2-12
<b>TURN SIGNAL SWITCH AND WIRE HARNESS</b> .....	2-14
<b>V</b>	
<b>VALVE ASSEMBLY</b>	
INLET SECTION - MANUAL AND ELECTRONIC .....	6-34

## TABLE OF CONTENTS (continued)

DESCRIPTION	PAGE
LIFT, TILT, AND AUXILIARY - MANUAL HYDRAULIC .....	6-32
LIFT, TILT, AND AUXILIARY - ELECTRIC HYDRAULIC .....	6-40
<b>W</b>	
<b>WIRE HARNESS</b>	
BACK-UP ALARM STROBE - WITHOUT CONVERTER .....	2-104
DISPLAY - FREEZER .....	2-48
EMERGENCY DISCONNECT .....	2-86
FAN ADAPTOR .....	2-115
FAN ADAPTOR - ALTERNATE PART .....	2-118
FRONT WIPER .....	2-106
HEATER - 80V .....	2-112
LIGHTS WITH OVERHEAD GUARD - RIGHT HAND .....	2-93
LIGHTS WITH OVERHEAD GUARD - LEFT HAND WITHOUT TURN SIGNALS .....	2-94
LIGHTS WITH OVERHEAD GUARD - LEFT HAND, WITH TURN SIGNAL .....	2-96
LIGHTS WITH OVERHEAD GUARD - LEFT HAND FRONT SWITCH .....	2-100
MAIN LIGHTS CHASSIS (→ S/N A276B03242K (LONG WHEEL BASE)) (→ S/N A276B03248K (SHORT WHEEL BASE)) .....	2-87
MAIN LIGHTS CHASSIS (S/N A276B03243K → (LONG WHEEL BASE)) (S/N A276B03249K → (SHORT WHEEL BASE)) .....	2-90
MAIN WITH ELECTRONIC HYDRAULICS - SHEET 1 OF 2 (→ S/N A276B03242K (LONG WHEEL BASE)) (→ S/N A276B03248K (SHORT WHEEL BASE)) .....	2-58
MAIN WITH ELECTRONIC HYDRAULICS - SHEET 2 OF 2 (→ S/N A276B03242K (LONG WHEEL BASE)) (→ S/N A276B03248K (SHORT WHEEL BASE)) .....	2-62
MAIN WITH ELECTRONIC HYDRAULICS - SHEET 1 OF 2 (S/N A276B03243K → (LONG WHEEL BASE)) (S/N A276B03249K → (SHORT WHEEL BASE)) .....	2-66
MAIN WITH ELECTRONIC HYDRAULICS - SHEET 2 OF 2 (S/N A276B03243K → (LONG WHEEL BASE)) (S/N A276B03249K → (SHORT WHEEL BASE)) .....	2-72
MAIN WITH MANUAL HYDRAULICS - SHEET 1 OF 2 (→ S/N A276B03242K (LONG WHEEL BASE)) (→ S/N A276B03248K (SHORT WHEEL BASE)) .....	2-50
MAIN WITH MANUAL HYDRAULICS - SHEET 2 OF 2 (→ S/N A276B03242K (LONG WHEEL BASE)) (→ S/N A276B03248K (SHORT WHEEL BASE)) .....	2-54
MAIN WITH MANUAL HYDRAULICS - SHEET 1 OF 2 (S/N A276B03243K → (LONG WHEEL BASE)) (S/N A276B03249K → (SHORT WHEEL BASE)) .....	2-76
MAIN WITH MANUAL HYDRAULICS - SHEET 2 OF 2 (S/N A276B03243K → (LONG WHEEL BASE)) (S/N A276B03249K → (SHORT WHEEL BASE)) .....	2-82
MANUAL INTERLOCK .....	2-114
REAR WIPER .....	2-105
SEAT - MANUAL HYDRAULICS .....	2-101
SEAT - E-HYDRAULIC .....	2-102
STEERING COLUMN .....	2-108
SYNCHRONOUS STEERING .....	2-110
TURN SIGNAL .....	2-111
<b>WIRE HARNESS (LIGHTS)</b>	
WITH OVERHEAD GUARD AND TURN SIGNALS - WITH DROP-DOWN BATTERY BOX .....	2-98

**ABBREVIATIONS QUICK REFERENCE SHEET**

Listed below are abbreviations used in parts manuals to denote the following expressions:

<b>TERM</b>	<b>DEFINITION</b>	<b>TERM</b>	<b>DEFINITION</b>
Amp	Amperes	FRE	Freezer Environment
AR	As Required	in.	inches
BDI	Battery Discharge Indicators	LPG	Liquefied Petroleum Gas
BWI	Brush Wear Indicator	MAP	Manifold Absolute Pressure
CE	Communicator End	mm	millimeters
CRE	Corrosive Environment	MSTS	Microprocessor Spark Timing System
D/B	Date Break	NPT	National Pipe Threads
dbA	Decibel "A" Scale	O/S	Oversize
DE	Drive End	PTO	Power Take Off
ECH	Empty Container Handler	RPM	Revolutions per Minute
ECH-3	Empty Container Handler - 3 High Stacking	S/N	Serial Number
ECH-4	Empty Container Handler - 4 High Stacking	TMM	Truck Management Module
ECH-5	Empty Container Handler - 5 High Stacking	UL Type D	Diesel-Powered Safety Rating
ECH-6	Empty Container Handler - 6 High Stacking	UL Type DS	Diesel-Powered Safety Rating
ECH-7	Empty Container Handler - 7 High Stacking	UL Type E	Battery-Powered Safety Rating
ECM	Electronic Control Module	UL Type EE	Battery-Powered Safety Rating
ECN	Engineering Change Notice	UL Type ES	Battery-Powered Safety Rating
EEPROM	Electrically Erasable Programmable Read Only Memory	UL Type G	Gasoline-Powered Safety Rating
EPA	US Environmental Protection Agency	UL Type GS	Gasoline-Powered Safety Rating
EPROM	Electrically Programmable Read Only Memory	UL Type LP	Gas-Powered Safety Rating
		UL Type LPS	LP Gas-Powered Safety Rating
		U/S	Undersize
		UL	Underwriters Laboratory
		V	Volts

## HOW TO USE THE ILLUSTRATED PARTS MANUAL

This parts manual describes and illustrates assemblies, subassemblies, and detail parts needed for service replacement.

The different constructions are indicated by keys and footnotes. The callouts correspond to descriptions found on the next page.

**UNIT CODE G160 EUROPE**

**HYSTER**

06/2001

**TABLE OF CONTENTS**

DESCRIPTION	PAGE
ACCELERATOR/MONOTROL PEDAL.....	5-2
BACKUP ALARM .....	
BATTERY CONNECTOR .....	
BATTERY ROLLER AN .....	
BRAKE ASSEMBLY .....	
BRAKE MASTER CYLIN .....	
BRAKE PEDAL LINKAG .....	
CARRIAGE .....	
THREE STAGE FULL .....	
TWO STAGE FULL FF .....	
TWO STAGE LIMITED .....	
CONTROL VALVE .....	
COUNTERWEIGHT .....	
DASH DISPLAY .....	
DC-DC CONVERTER .....	

**SECTION 11 NUMERICAL INDEX**

PART NO.	PG	ITEM	PART NO.	PG	ITEM	PART NO.	PG	ITEM			
138	5-9	31	5-17	42	16481	6-25	3	16882	6-7	28	
	5-13	31	7-13	8		6-25	4	16883	6-25	8	
139	5-9	32	1-3	6		6-26	53	16882	6-25	5	
	5-13	32	1-4	45		6-26	65		7-5	25	
12921	3-12	10	5-9	16		10-3	16		8-5	24	
14269	5-5	8	5-13	16		6-26	48		9-5	19	
						6-11	3	16989	6-25	10	
						16484	6-11	9	17051	7-5	19
							6-13	101		8-5	13
							6-13	34		9-5	13
							6-25	7		6-25	6
							6-25	8	17061	3-9	24
							6-25	11	17151	3-11	26
							6-25	20		6-25	22
							9-7	7	17776		

**SECTIONS**

- 1
- 2
- 3
- 4
- 5
- 6
- 7
- 8
- 9
- 10
- 11

**UNIT CODE G160 EUROPE**

**HYSTER**

06/2001

**TRANSMISSION HOUSING**  
(⇒ S/N G160-2628)

**KEY:**  
A: Diesel  
B: Gasoline and LPG

ITEM	PART NO.	DESCRIPTION	QTY	
			A	B
		Transmission.....	1	1
	2022547	Transmission.....	1	1
	2023329	Transmission.....	2	2
	2064470	Case.....	4	4
1	2023418	Bearing Cap.....	1	1
2	296426	Washer.....	2	2
3	293692	Capscrew.....	2	2
4	2021390	Cover.....	4	4
5	1371656	Cotter Pin.....	1	1
6	2021329	O-Ring.....	4	4
7	2021915	Plug.....	22	22
8	2021675	Housing.....	39	39
9	2021336	Pin.....	1	1
10	287860	Capscrew.....	1	1
11	292682	Lockwasher.....	8	8
12		Hydraulic Pump (see Figure 6-6).....	8	8
13	2021345	Gasket.....	1	1
14	214364	Capscrew.....	1	1
15	296418	Washer.....	1	1
16	2021388	Temperature Switch.....	9	9
17	2021389	Breather.....	9	9
18	2021383	Dipstick.....	2	2
19	292515	Capscrew.....	3	3
20	136692	Nut.....	3	2
21	292527	Capscrew.....	4	4
22	292531	Capscrew.....	4	4
23	292693	Lockwasher.....	4	4
24	293637	Capscrew.....	1	1
25	296420	Washer.....	1	1
	996403	Transmission Kit (Include Item 7).....		
	996405	Transmission Kit (Include Item 14).....		

This Parts Manual is divided into 11 major sections which are listed above. Quick reference can be made by placing the right thumb on the tab of the desired section, bending the bottom edge of the manual, and turning the pages to the corresponding tab.

See Service Manual for service procedures.

©2001 HYSTER COMPANY

3-15

HP990135

## HOW TO FIND THE DESIRED PART NUMBER

### WHEN THE PART NUMBER AND THE NEXT HIGHER ASSEMBLY IS NOT KNOWN:

1. Determine the function and application of the part required. Turn to the Sections Page. Choose the general area of reference most likely to include the part.
2. Turn to the section you chose. Use the Section Table of Contents to determine the assembly which would normally contain the part required. Then locate the part on the assembly breakdown page.

### WHEN THE PART NUMBER IS NOT KNOWN AND THE NEXT HIGHER ASSEMBLY IS KNOWN:

3. Determine the assembly the required part is used on. Turn to the Table of Contents (Page i).
4. Locate the assembly the required part is used on and turn to the page indicated for that assembly. Then locate the part on the assembly breakdown page.

### WHEN THE PART NUMBER IS KNOWN:

5. Use the Numerical Index (Page 12-1) to find the part number. Turn to the page listed and locate the part as indicated by the item number.

### GENERAL:

The assembly breakdowns include part numbers, descriptions, quantities required, keys and footnotes to help in selecting correct parts.

6. Parts Supersession Information. Part numbers that have this history will be displayed in the parts list in the order that they were superseded (from oldest to newest). The superseded part numbers will be shown with a line through them.

Five periods in the PART NO. column (. . . . .) indicate that the part is either *Not Serviced Separately* or there is a reference to another figure. A figure reference is denoted by a pointing hand followed by a figure number in the DESCRIPTION column (☞ Figure 10)

7. Keys are used to show two or more similar assemblies, RH and LH assembly parts, etc. Select the appropriate key, "A", "B", "C", "D", or "E" and the corresponding quantity column to find the required parts. Two periods in the QTY column (..) indicate that the part is not used for that assembly.
8. Indented descriptions under the DESCRIPTION column are used to indicate assemblies and

subparts of assemblies. In the example on the previous page, *BEARING CAP* (Item 2) is a subpart of the major assembly *CASE*.

9. Quantities shown are for one assembly. The quantities of the subpart *BEARING CAP* are indicated as two and two. This means two per *CASE* assembly.
10. Serial number breaks identify the most current parts information and are shown as follows:
  - **S/N D001H2628**  
Indicates last serial number affected.
  - S/N D001H2629** →  
Indicates the first serial number affected.
  - S/N D001H1553** ↔ **S/N D001H3291**  
Indicates a range of serial numbers affected.

ECN numbers for pending serial numbers are shown to allow for the inclusion of the most current parts information and are identified as follows:

→ **S/N Pending Per ECN 63243**

Indicates a pending serial number for last unit affected.

**S/N Pending Per ECN 63243** →

Indicates a pending serial number for first unit affected.

Date breaks are used to indicate when a change occurred but a subsequent serial number break was not recorded. This is an arbitrary date usually based on the ECN release and are identified as follows:

→ **D/B 3/00**

Indicates that a change occurred sometime within that month for the item affected.

**D/B 3/00** →

Indicates that a change occurred sometime within that month for the item affected.

**D/B 3/00** ↔ **D/B 4/00**

Indicates a range of production dates of the item affected.

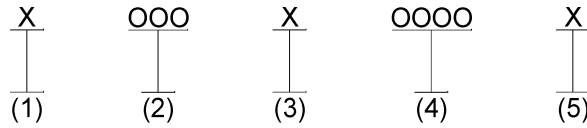
Contact your local dealer for Hyster lift trucks for serial number information for items with a ECN or a date break.

### ORDERING PARTS:

When ordering replacement parts, give the unit serial number, part number, name of part and quantity required.

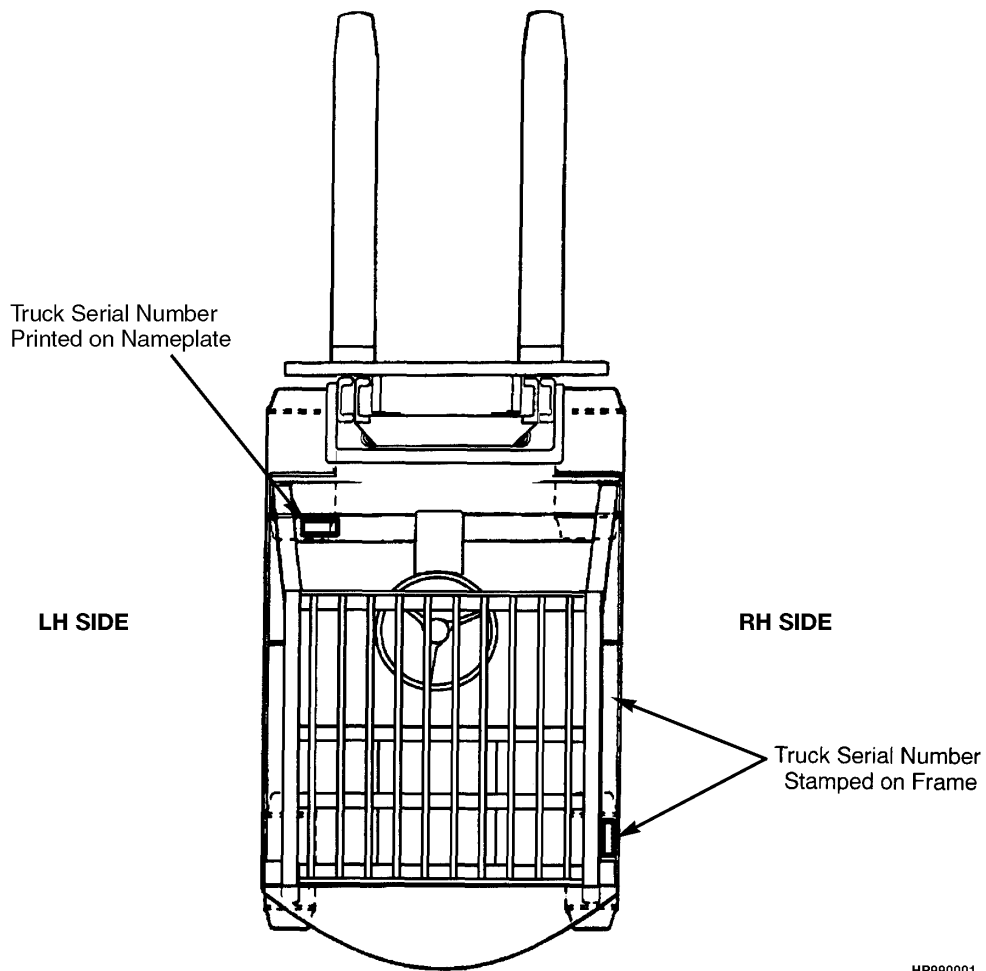
For any further information on parts, service, or ordering, consult your local dealer for Hyster lift trucks.

## IDENTIFICATION OF TRUCK SERIAL NUMBERS

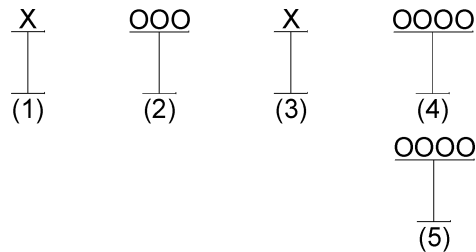


- (1) and (2) The first letter and three numbers indicate the truck unit code.
- (3) The second letter indicates the plant of manufacture.
- (4) The four or five digit number indicates the production sequence number of the truck.
- (5) The final letter indicates the year of manufacture starting with "A" in 1957, 1980, and 2003.  
The letters "I", "O", and "Q" will not be used.

For pending serial numbers contact your local dealer for Hyster lift trucks.



Parts referred to in this book as right or left hand parts are in accordance with the illustration above.

**IDENTIFICATION OF MAST SERIAL NUMBERS**

- (1) and (2) The first letter and number indicates the mast unit code.
- (3) The second letter indicates the plant of manufacture.
- (4) The four or five digit number indicates the production sequence number of the mast.
- (5) Carriage travel in millimeters stamped just below the serial number.

Mast Group identification consists of mast unit code (1) and (2) plus carriage travel (5).

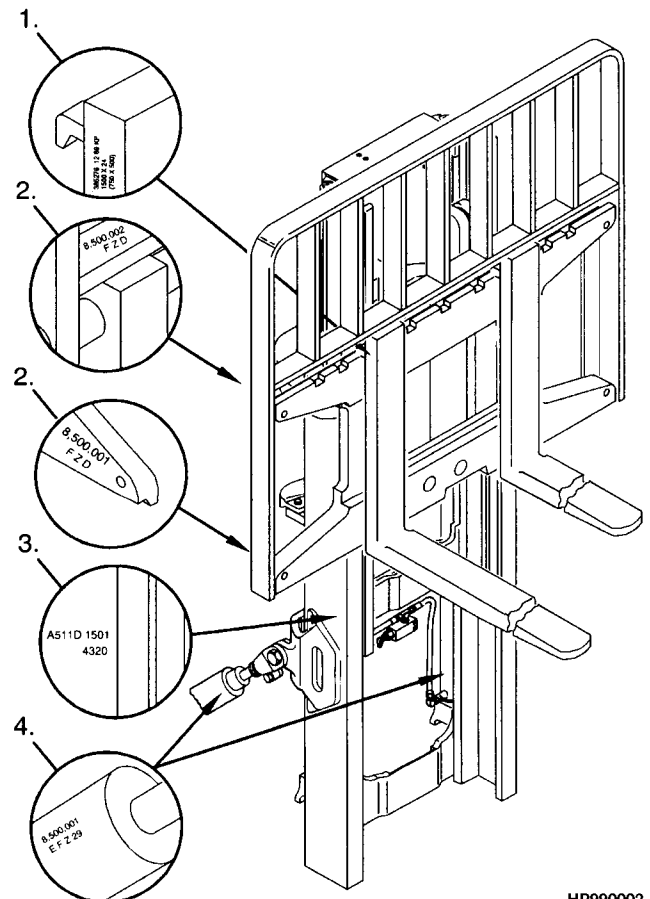
For pending production sequence numbers contact your local dealer for Hyster lift trucks.

**LIFT EQUIPMENT IDENTIFICATION**

1. Fork part number, capacity rating, plant code letter, and date of manufacture are stamped approximately six inches below the top of most forks.
2. The carriage group number is stamped on the right hand side of the top crossmember (pin type) or on the back of the right hand end of the bottom crossmember (hook type). A date code has two letters in line with or below the carriage group number.
3. The mast identification number has a unit code, a letter indicating the plant of manufacture, and a serial number. Underneath the production sequence number is a four digit number that indicates the carriage travel in millimeters.
4. Tilt and lift cylinder group numbers are stamped on the cylinder shell.

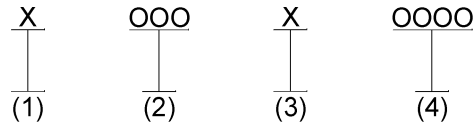
Always refer to the group, serial, or part number when ordering service parts.

Modification of masts and carriages by SPED (Special Products Engineering Department) are identified by a model prefix code beginning with the letter "S". contact your dealer for Hyster lift trucks for information on these assemblies.



HP990002

## IDENTIFICATION OF ATTACHMENT AND SIDE-SHIFT CARRIAGE SERIAL NUMBERS

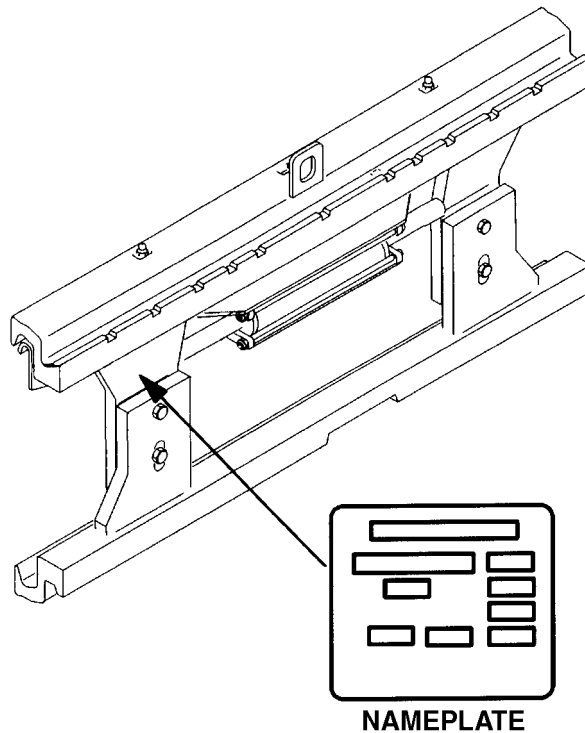


(1) and (2) The first letter and three numbers indicate the attachment unit code.

(3) The second letter indicates the plant of manufacture.

(4) The four or five digit number indicates the production sequence number.

For pending production sequence numbers contact your local dealer for Hyster lift trucks.



HP990003

Side-shift carriages and attachments have nameplates. Use the serial number found on the nameplate to identify the attachment.

Always refer to the group, serial, or part number when ordering service parts.

Modifications of attachments and side-shift carriages by SPED (Special Products Engineering Department) are identified by a model prefix code beginning with the letter "S". Contact your dealer for Hyster lift trucks for information on these assemblies.



**PUBLICATIONS**

Every new lift truck is provided with an OPERATING MANUAL. This manual has information that the operator must know for inspection and operation of the lift truck.

SERVICE MAINTENANCE MANUALS, which provide service and overhaul procedures, and PARTS

MANUALS with complete replacement part identification, are available at a nominal fee from your Hyster dealer to assist users in effectively maintaining Hyster lift trucks in a safe, useful condition. See the list below for information on ordering specific publications for this model lift truck.

<b>PUBLICATION</b>	<b>HYSTER PART NUMBER</b>
Operating Manual.....	1689094
Service Manual (Complete).....	1689303
Parts Manual.....	1689122



**1**

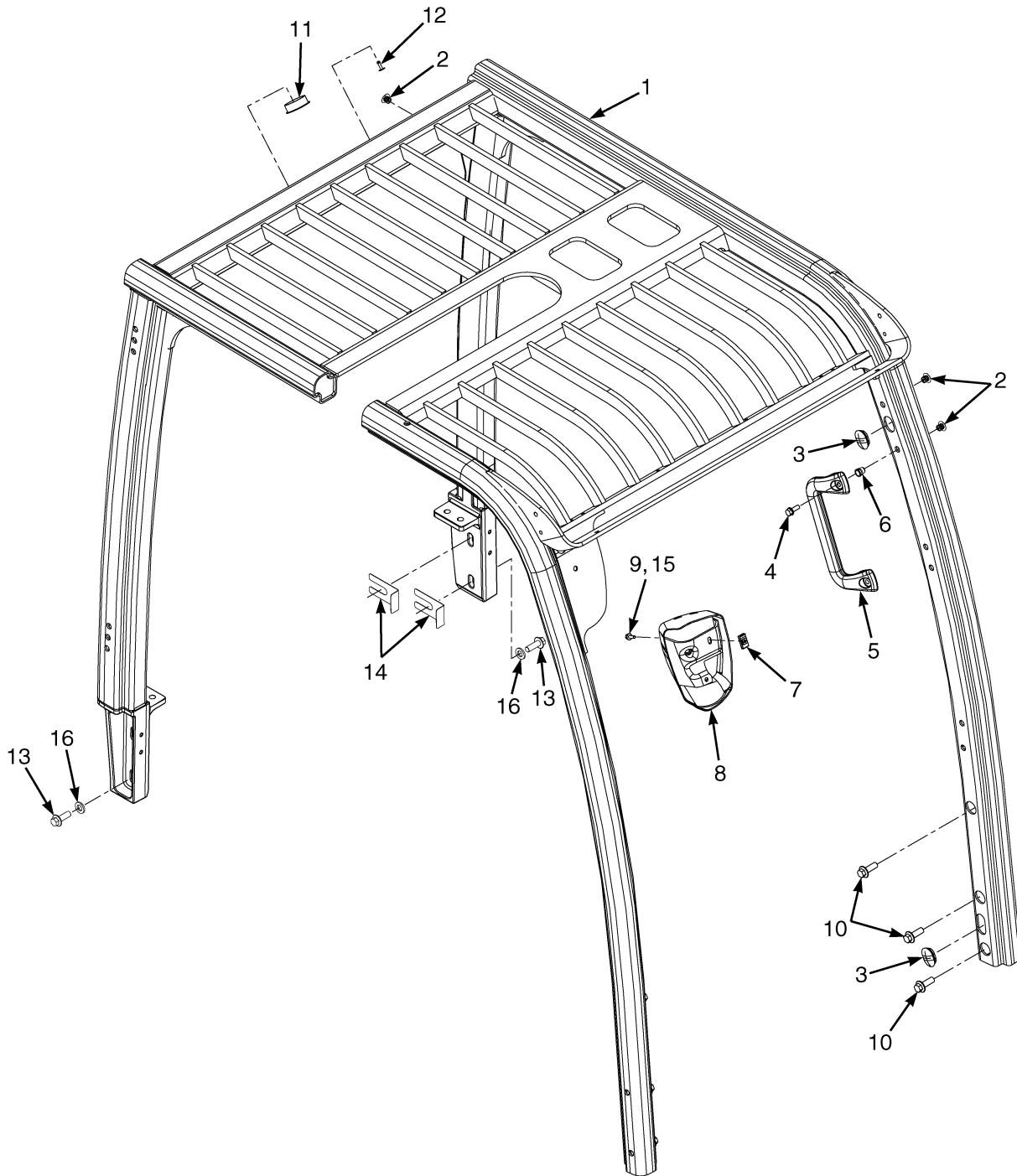
**FRAME**



**SECTION 1**  
**FRAME**

<b>DESCRIPTION</b>	<b>PAGE</b>
ARMREST SLIDER ASSEMBLY	
→ 9/2010 .....	1-42
9/2010 → .....	1-44
BATTERY REMOVAL .....	1-16
BATTERY RETENTION AND SPACERS .....	1-18
CAB	
DOOR INSTALLATION .....	1-58
FRONT PANEL AND WIPER .....	1-50
FRONT PANEL ASSEMBLY .....	1-54
FRONT WIPER ASSEMBLY .....	1-56
FULL STEEL .....	1-46
FUSE ASSEMBLY .....	1-52
HEATER .....	1-64
HEATER ASSEMBLY .....	1-66
LEFT HAND DOOR ASSEMBLY .....	1-60
REAR PANEL AND WIPER .....	1-74
REAR PANEL ASSEMBLY .....	1-76
RIGHT HAND DOOR ASSEMBLY .....	1-62
ROOF PANEL ASSEMBLY .....	1-72
TOP PANEL AND ROOF LINER .....	1-68
TOP PANEL ASSEMBLY .....	1-70
WINDOW - LH DOOR .....	1-78
WINDOW - RH DOOR .....	1-80
WITH PVC DOORS .....	1-48
COUNTERWEIGHT .....	1-8
DRIP SHIELDS AND STATIC STRAP .....	1-15
FENDER .....	1-22
FLOOR PLATES AND COVERS .....	1-12
FORKS .....	1-86
HOOD .....	1-4
WITH RAPID CHARGE OPTION .....	1-6
LABELS	
EXTERIOR .....	1-24
HYDRAULIC CONTROL FUNCTIONS .....	1-28
INTERIOR .....	1-26
LOAD BACKREST EXTENSION .....	1-84
OPERATOR COMPARTMENT .....	1-20
OVERHEAD GUARD .....	1-2
PVC DOOR KIT .....	1-82
SEAT	
FULL SUSPENSION, HIGH BACK - SHEET 1 OF 2 .....	1-36
FULL SUSPENSION, HIGH BACK - SHEET 2 OF 2 .....	1-40
SEATS	
FULL SUSPENSION - SHEET 1 OF 2 .....	1-30
FULL SUSPENSION - SHEET 2 OF 2 .....	1-34
SIDE PANELS .....	1-10

## OVERHEAD GUARD (FIGURE 1-1)

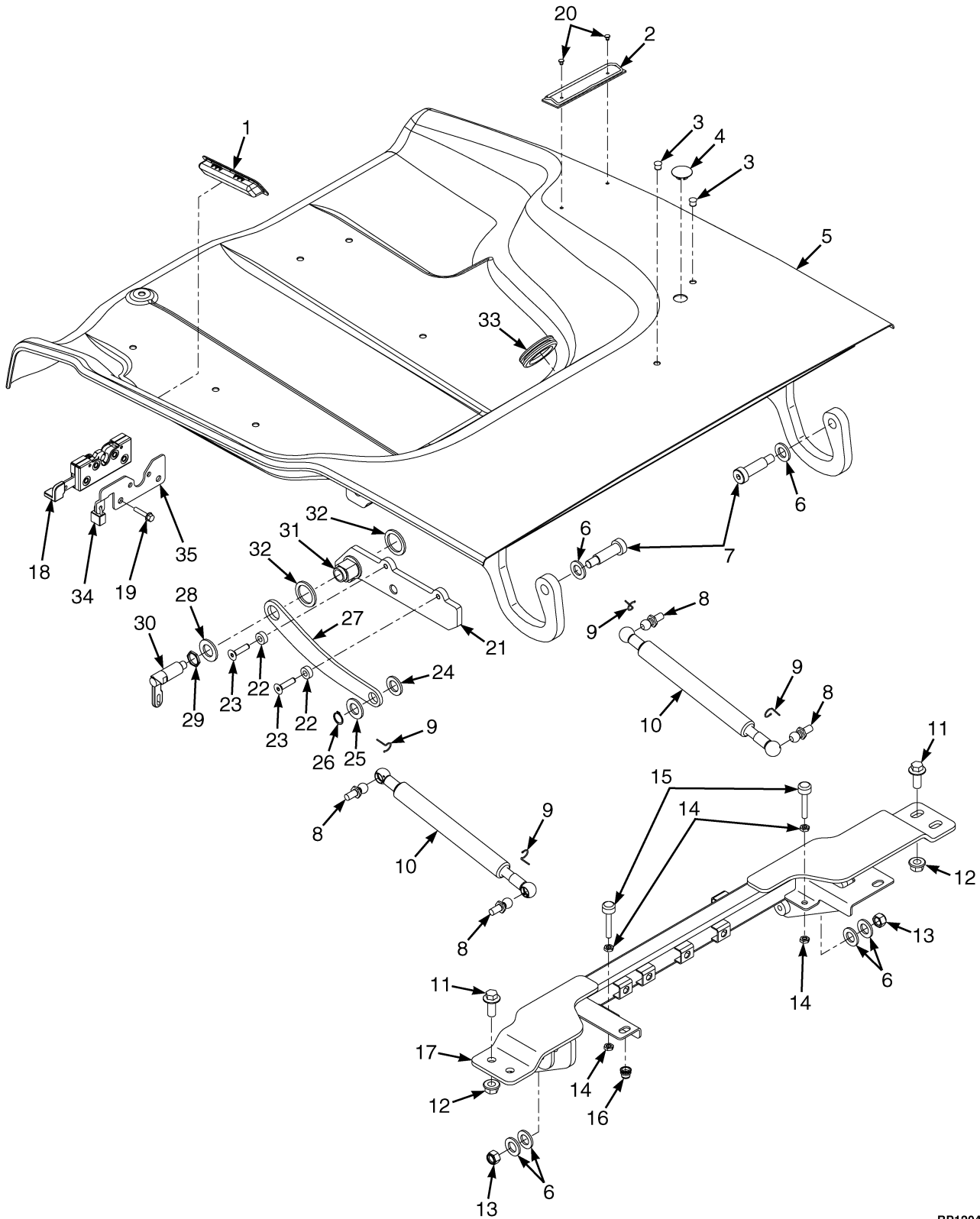


BP120549

**OVERHEAD GUARD**

ITEM	PART NO.	DESCRIPTION	QTY
1	4012339	Overhead Guard .....	1
1	4012340	Overhead Guard .....	1
2	1574301	Plug .....	37
3	2070996	Grommet .....	3
4	1527881	Capscrew .....	2
5	1676884	Handle .....	1
6	1530243	Insert .....	2
7	1566420	Nut .....	2
8	2106007	Cover (Display) .....	1
9	1527877	Capscrew .....	2
10	1527888	Capscrew .....	4
11	1398009	Plug .....	2
12	1363916	Plug .....	4
13	1597479	Capscrew .....	4
14	4010784	Shim (0.5 mm) .....	AR
14	4010785	Shim (1.0 mm) .....	AR
15	1476421	Washer .....	2
16	320166	Washer .....	4
	1702413	Plug (Yellow) (23.0 mm) (Not Illustrated) .....	2

## HOOD (FIGURE 1-2)



BP120471



**HOOD**

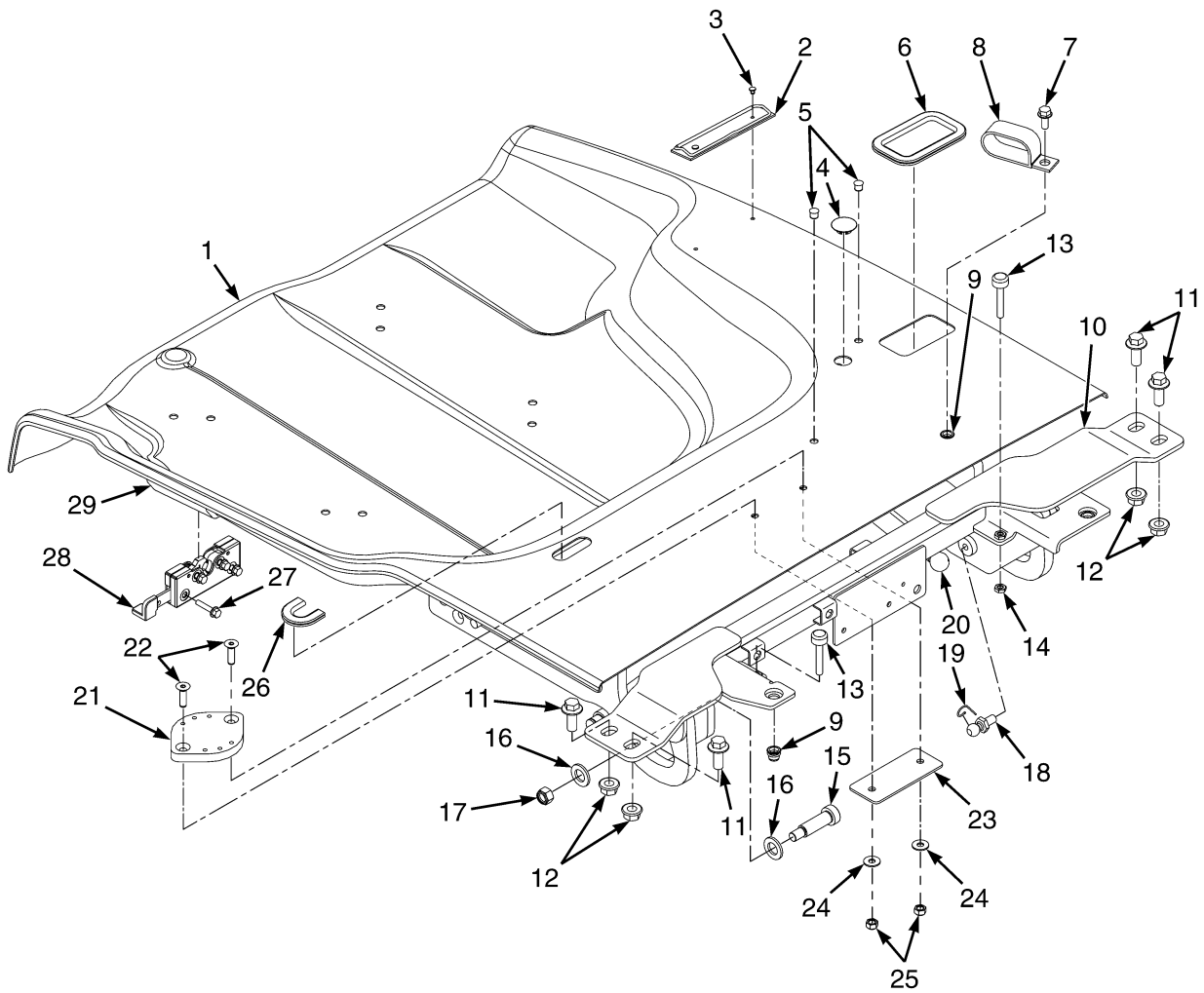
ITEM	PART NO.	DESCRIPTION	QTY
1	1661162	Handle (Hood) .....	1
2	2027694	Clip .....	1
3	1494888	Plug .....	2
4	1599415	Plug .....	1
5	4014500	Hood .....	1
6	<b>d</b> 320165	Washer .....	6
6	<b>g</b> 320165	Washer .....	4
7	1683193	Bolt .....	2
8	<b>d</b> 1677113	Ball Stud .....	4
8	<b>g</b> 4020999	Ball Stud .....	4
9	1677115	Clip .....	4
10	4000206	Gas Spring (Suspension Seat) .....	2
10	4010362	Gas Spring (Non-Suspension Seat) .....	2
11	1528889	Capscrew .....	4
12	<del>1370949</del> 1528888	Nut (Shoulder) .....	4
13	302402	Locknut .....	2
14	329069	Nut .....	4
15	1585581	Bumper (Hood) .....	2
16	1531557	Insert .....	2
17	<b>c</b> 4009817	Crossmember (Raised Hood) .....	1
17	<b>f</b> 4011592	Crossmember (Raised Hood) .....	1
17	<b>b</b> 4009816	Crossmember (Standard Hood) .....	1
17	<b>e</b> 4011591	Crossmember (Standard Hood) .....	1
18	1709984	Hood Latch .....	1
19	1531479	Capscrew .....	4
20	222021	Rivet .....	2
21	<b>a</b> 4005241	Plate .....	1
22	<b>a</b> 4005957	Spacer .....	3
23	<b>a</b> 296229	Capscrew .....	3
24	<b>a</b> 4005927	Washer .....	1
25	<b>a</b> 320167	Washer .....	1
26	<b>a</b> 307256	Snap Ring .....	1
27	<b>a</b> 4004651	Plate .....	1
28	<b>a</b> 320169	Washer .....	1
29	<b>a</b> 4005923	Locknut .....	1
30	<b>a</b> 4004710	Plunger .....	1
31	<b>a</b> 4004693	Bushing .....	1
32	<b>a</b> 4005925	Washer .....	2
33	2107319	Grommet .....	1
34	1701416	Padlock .....	1
35	4000692	Bracket (Padlock) .....	1

**FOOTNOTES:**

**a** E-Hydraulics, Mini-Lever Option  
**b** → S/N A276B01500G  
**c** → S/N A276B01515H  
**d** → S/N A276B03097K

**e** S/N A276B01501G →  
**f** S/N A276B01516H →  
**g** S/N A276B03098K →

## HOOD (FIGURE 1-3) WITH RAPID CHARGE OPTION

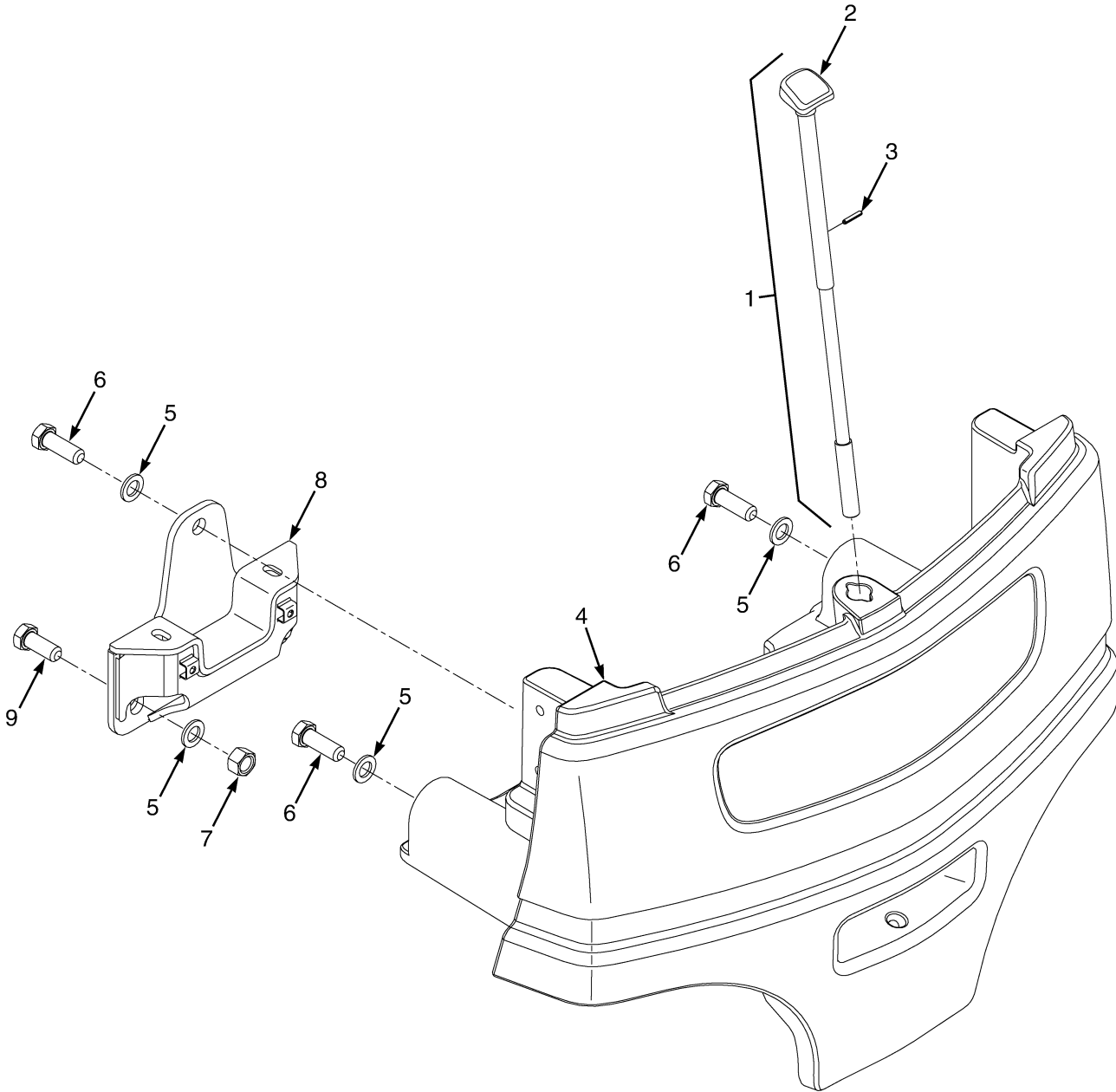


BP120962

**HOOD  
WITH RAPID CHARGE OPTION**

ITEM	PART NO.	DESCRIPTION	QTY
1	4046451	Hood (With Rapid Charge) .....	1
2	2027694	Clip .....	1
3	222021	Rivet .....	2
4	1599415	Plug (Yellow) .....	1
5	1494888	Plug .....	2
6	4047975	Trim .....	1
6	326004	Edge Protector .....	AR
7	1527880	Capscrew .....	1
8	153667	Clamp .....	1
9	1531557	Insert .....	3
10	4011591	Crossmember .....	1
11	1528889	Capscrew .....	4
12	<del>1370949</del>		
	1528888	Nut (Shoulder) .....	4
13	1585581	Bumper (Hood) .....	2
14	329069	Nut .....	4
15	1683193	Bolt (Shoulder) .....	2
16	320165	Washer .....	4
17	302402	Locknut .....	2
18	4020999	Ball Stud .....	4
19	1677115	Clip (Locking) .....	4
20	4010362	Gas Spring (With Non-Suspension Seats) .....	2
20	4000206	Gas Spring .....	2
21	4047911	Plate (Connector) .....	1
22	296228	Capscrew .....	2
23	4047943	Plate .....	1
24	320158	Washer .....	2
25	302400	Nut .....	2
26	4048326	Trim .....	1
26	326004	Edge Protector .....	AR
27	1531479	Capscrew .....	4
28	1709984	Hood Latch .....	1
29	1661162	Handle (Hood) .....	1

## COUNTERWEIGHT (FIGURE 1-4)



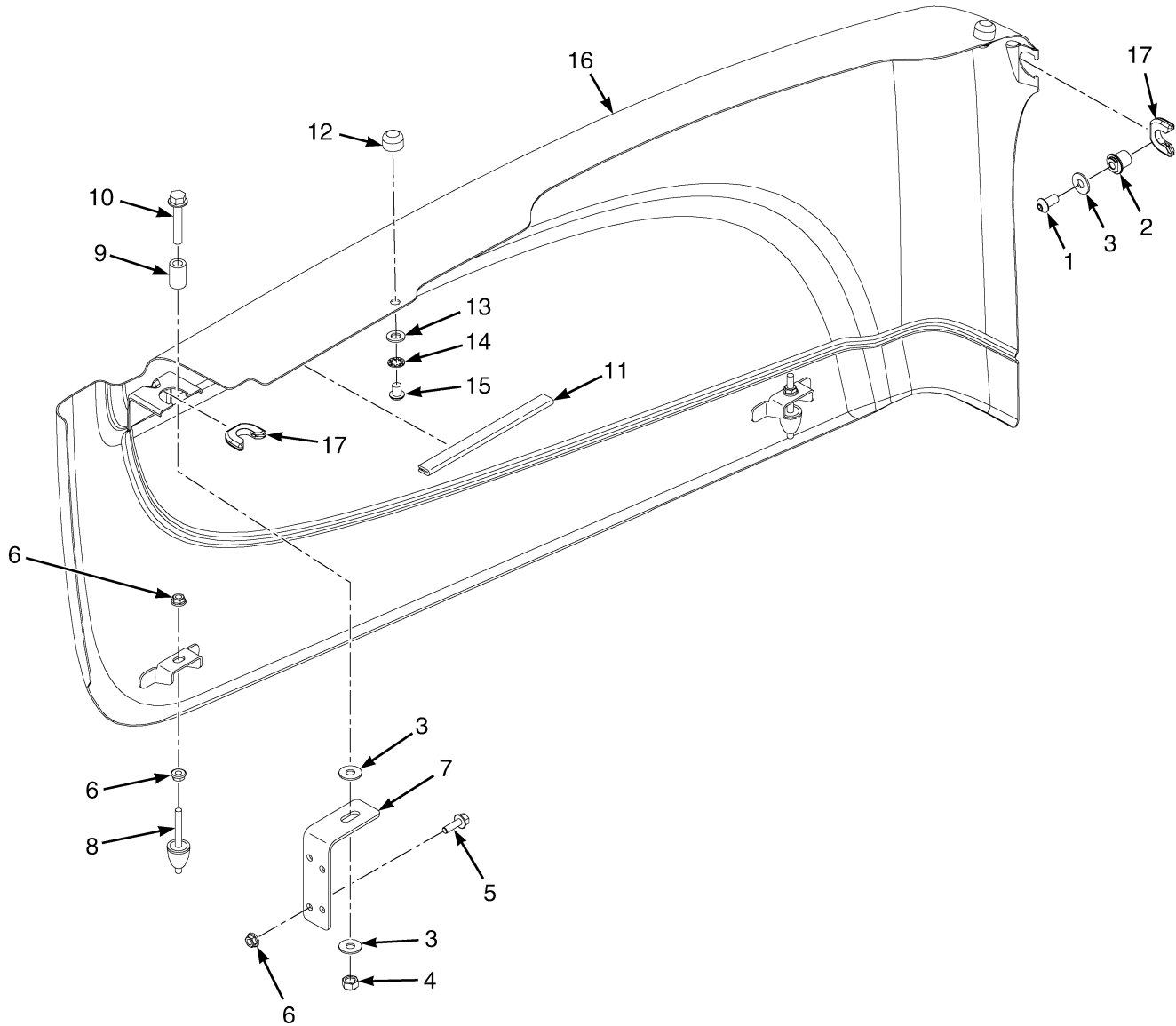
BP120453

**COUNTERWEIGHT**

ITEM	PART NO.	DESCRIPTION	QTY
1	4001244	Tow Pin (Standard) .....	1
1	4001245	Tow Pin (Side Removal) .....	1
1	4001242	Tow Pin (Standard) .....	1
1	4001243	Tow Pin (Side Removal) .....	1
2	1651284	Handle .....	1
3	302467	Spring Pin .....	2
4	<b>b</b> 1670184	Counterweight (J2.2-2.5XN) .....	1
4	<b>a</b> 1670185	Counterweight (J2.5-J3.0XN) .....	1
4	1670186	Counterweight (J3.5XN) .....	1
5	296434	Washer .....	7
6	1308451	Capscrew .....	3
7	292660	Nut .....	2
8	4002516	Bracket .....	1
9	225065	Capscrew .....	2

**FOOTNOTES:****a** Long Wheel Base**b** Short Wheel Base

## SIDE PANELS (FIGURE 1-5)



BP120502

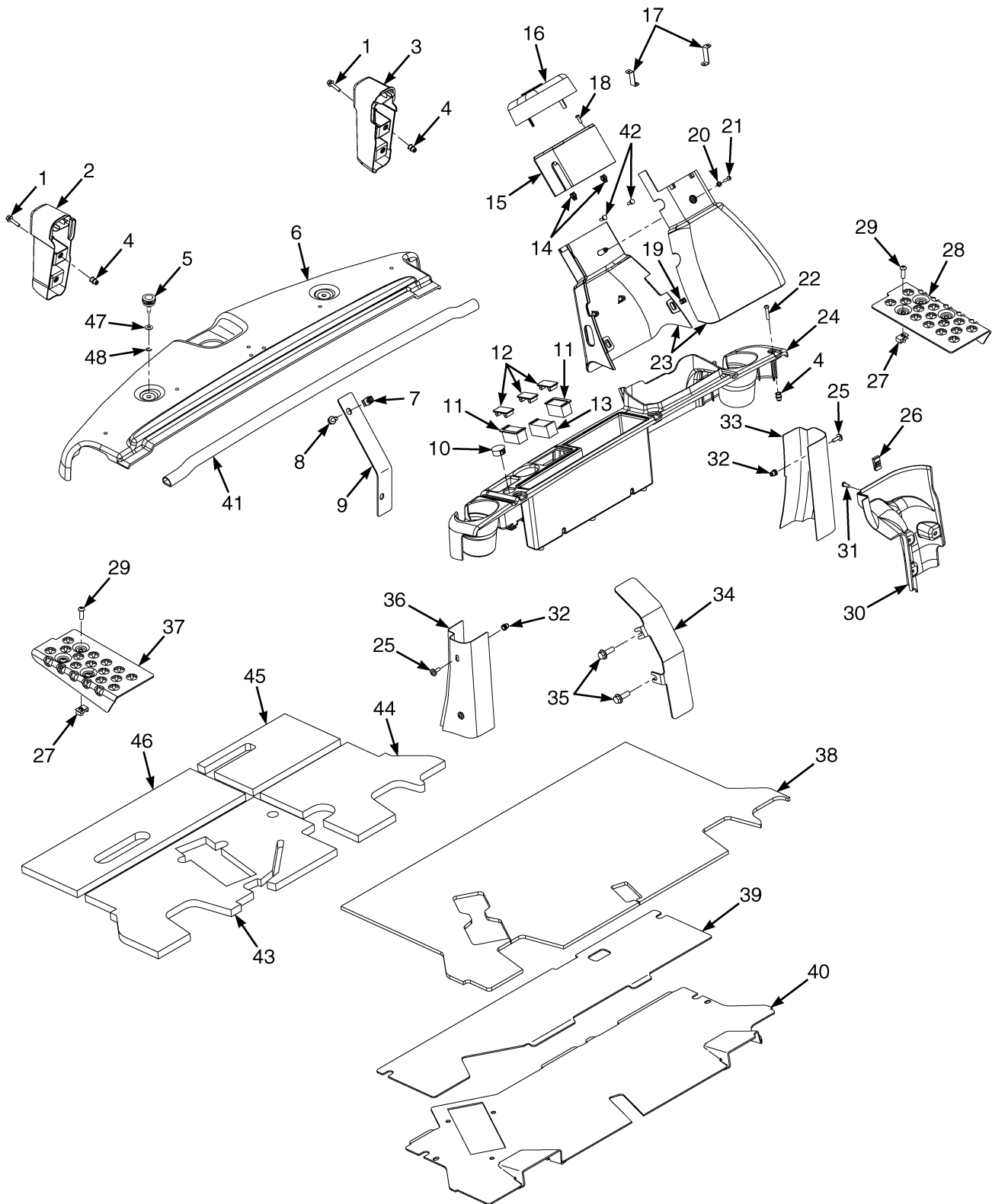
**SIDE PANELS**

ITEM	PART NO.	DESCRIPTION	QTY
1	296165	Capscrew .....	2
1	287851	Capscrew (Alternate Part) .....	2
2	1672827	Pin .....	2
3	320158	Washer .....	6
4	302400	Nut .....	2
5	1527877	Capscrew .....	4
6	<del>1307884</del> 1514429	Nut .....	12
7	1661166	Bracket (Rear Side) .....	2
8	1706062	Isolator .....	4
9	1657419	Tube (Locator Side Panel) .....	2
10	1527882	Capscrew .....	2
11	1703949	Trim .....	3
12	4016391	Bumper .....	4
13	296418	Washer .....	4
14	296360	Washer .....	4
15	296163	Capscrew .....	4
16	1669517	Side Panel (Raised-LH) (Horizontal Removal) .....	1
16	1664567	Side Panel (Standard-LH) (Vertical Removal) .....	1
16	1669518	Side Panel (Raised-RH) (Horizontal Removal) .....	1
16	1664568	Side Panel (Standard-RH) (Vertical Removal) .....	1
16	<b>a</b> 4046448	Side Panel (Vented-LH) (Vertical Removal) .....	1
16	<b>a</b> 4046449	Side Panel (Vented-RH) (Vertical Removal) .....	1
17	1669557	Clip (Side Panel) .....	4

**FOOTNOTES:**

- a** With Rapid Charge Option

## FLOOR PLATES AND COVERS (FIGURE 1-6)



BP120820



**FLOOR PLATES AND COVERS**

ITEM	PART NO.	DESCRIPTION	QTY
1	1586495	Capscrew .....	4
2	2094068	Tail Light Base (RH) .....	1
3	2094067	Tail Light Base (LH) .....	1
4	1531001	Insert .....	3
5	1661053	Screw .....	2
6	4001291	Cover (2.0-2.5 Standard) .....	1
6	4001479	Cover (2.0-2.5 Raised) .....	1
6	4001476	Cover (2.5-3.0 Standard) .....	1
6	4001477	Cover (2.5-3.0 Raised) .....	1
6	4001474	Cover (3.5 Standard) .....	1
6	4001475	Cover (3.5 Raised) .....	1
7	1480237	Nut .....	4
8	1527879	Capscrew .....	2
9	4000964	Plate .....	1
10	1695158	Plug .....	1
11	1382311	Panel (End) .....	2
12	1382313	Cover (Without Lights) .....	3
12	1382313	Cover (With Lights) .....	1
13	1382312	Panel (Center) .....	1
14	c 2065667	Clip .....	2
15	c 2101894	Cover .....	1
16	a 2101895	Cover (Top, With Turn Signal) .....	1
16	c 2101893	Cover (Top, Without Turn Signal) .....	1
17	1695110	Bracket (Harness Support) .....	2
18	1378550	Capscrew .....	4
19	2065667	Clip .....	2
20	c 320155	Washer .....	1
21	c 296154	Capscrew .....	1
22	2071261	Capscrew .....	3
23	a 2101791	Cover (Lower) .....	1
23	c 2101789	Cover (Lower) .....	1
23	a 2101792	Cover (Upper) .....	1
23	c 2101790	Cover (Upper) .....	1
24	2096649	Dash Panel (Without Cab) .....	1
24	2101570	Dash Panel (With Cab) .....	1
25	1530019	Screw .....	4
25	1710006	Capscrew (Alternate Part) .....	4
25	1709980	Washer (Alternate Part) .....	4
26	325182	Nut .....	4
27	1398062	Nut (Fold Over) .....	6
28	1640351	Step (LH) .....	1
29	370599	Capscrew .....	6
30	2098661	Cover (Hose) .....	1
31	2022617	Capscrew .....	4
32	1531558	Insert .....	10
33	4000872	Cover (LH) .....	1
34	4018059	Guard .....	1
35	1527884	Capscrew .....	2
36	4000870	Cover (RH) .....	1
37	1640498	Step (RH) (Vertical Battery Removal) .....	1
37	4006597	Step (RH) (Horizontal Battery Removal) .....	1

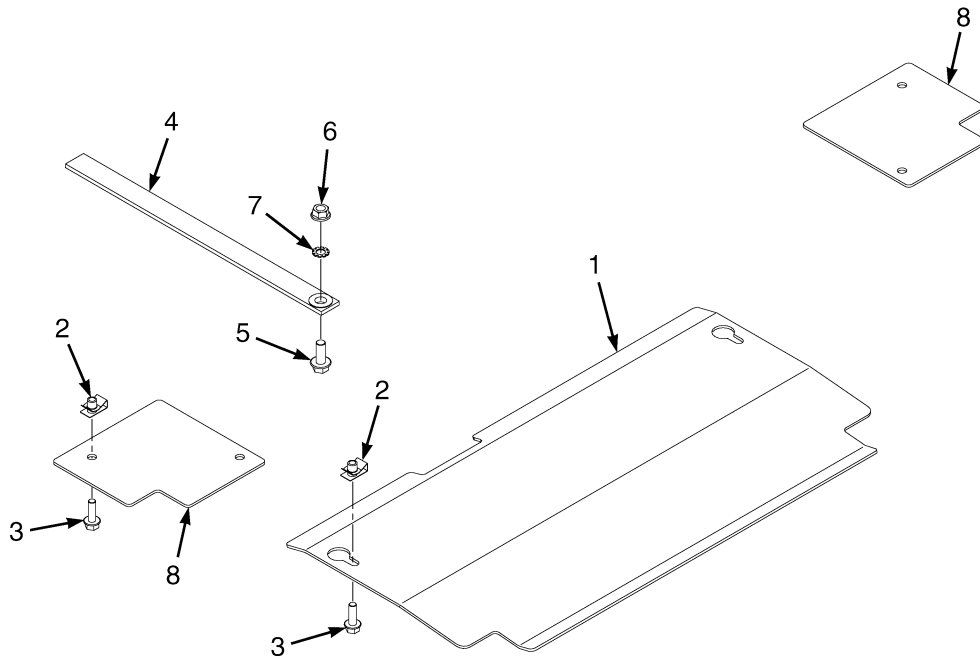
## FLOOR PLATES AND COVERS

ITEM	PART NO.	DESCRIPTION	QTY
38	<b>e</b> 2109109	Floormat (Manual Hydraulics, Vertical Battery Removal) .....	1
38	<b>i</b> 4605961	Floormat (Manual Hydraulics, Vertical Battery Removal) .....	1
38	<b>f</b> 2109110	Floormat (E-Hydraulics) .....	1
38	<b>j</b> 4606397	Floormat (E-Hydraulics) .....	1
38	<b>g</b> 2111095	Floormat (Manual Hydraulics, Horizontal Battery Removal) .....	1
38	<b>k</b> 4605962	Floormat (Manual Hydraulics, Horizontal Battery Removal) .....	1
39	<b>d</b> 1666414	Floorplate (Manual Hydraulics, Vertical Battery Removal) .....	1
39	<b>h</b> 4017070	Floorplate .....	1
39	<b>d</b> 1666415	Floorplate (E-Hydraulics) .....	1
39	<b>h</b> 4010907	Floorplate (E-Hydraulics) .....	1
39	1704623	Floorplate (Manual Hydraulics, Horizontal Battery Removal) .....	1
40	1660852	Floorplate .....	1
41	1597959	Seal .....	1
42	2027655	Screw .....	6
43	4010771	Liner .....	1
44	4010770	Liner .....	1
45	4010768	Liner .....	1
46	4010769	Liner (E-Hydraulic) .....	1
46	4010772	Liner (Manual Hydraulic-Low Hood) .....	1
46	4010773	Liner (Manual Hydraulic-High Hood) .....	1
47	1702735	Washer .....	2
48	2076752	Retainer .....	2
	<b>b</b> 1614686	Strip Seal (3.5 Raised) .....	2
	<b>b</b> 1614687	Strip Seal (2.5-3.0 Raised) .....	2
	<b>b</b> 4010774	Liner (Manual Hydraulic-High Hood) .....	1
	<b>b</b> 4010775	Liner (Manual Hydraulic-High Hood) .....	1
	<b>b</b> 1646457	Clip .....	1
	<b>b</b> 1500899	Clip .....	1
	<b>b</b> 4018097	Cover .....	2

### FOOTNOTES:

<b>a</b>	Fixed Steering Column	<b>g</b>	→ S/N A276B02025J
<b>b</b>	Not Illustrated	<b>h</b>	S/N A276B01900H →
<b>c</b>	Telescopic Steering Column	<b>i</b>	S/N A276B01970J →
<b>d</b>	→ S/N A276B01899H	<b>j</b>	S/N A276B01994J →
<b>e</b>	→ S/N A276B01969J	<b>k</b>	S/N A276B02026J →
<b>f</b>	→ S/N A276B01993J		

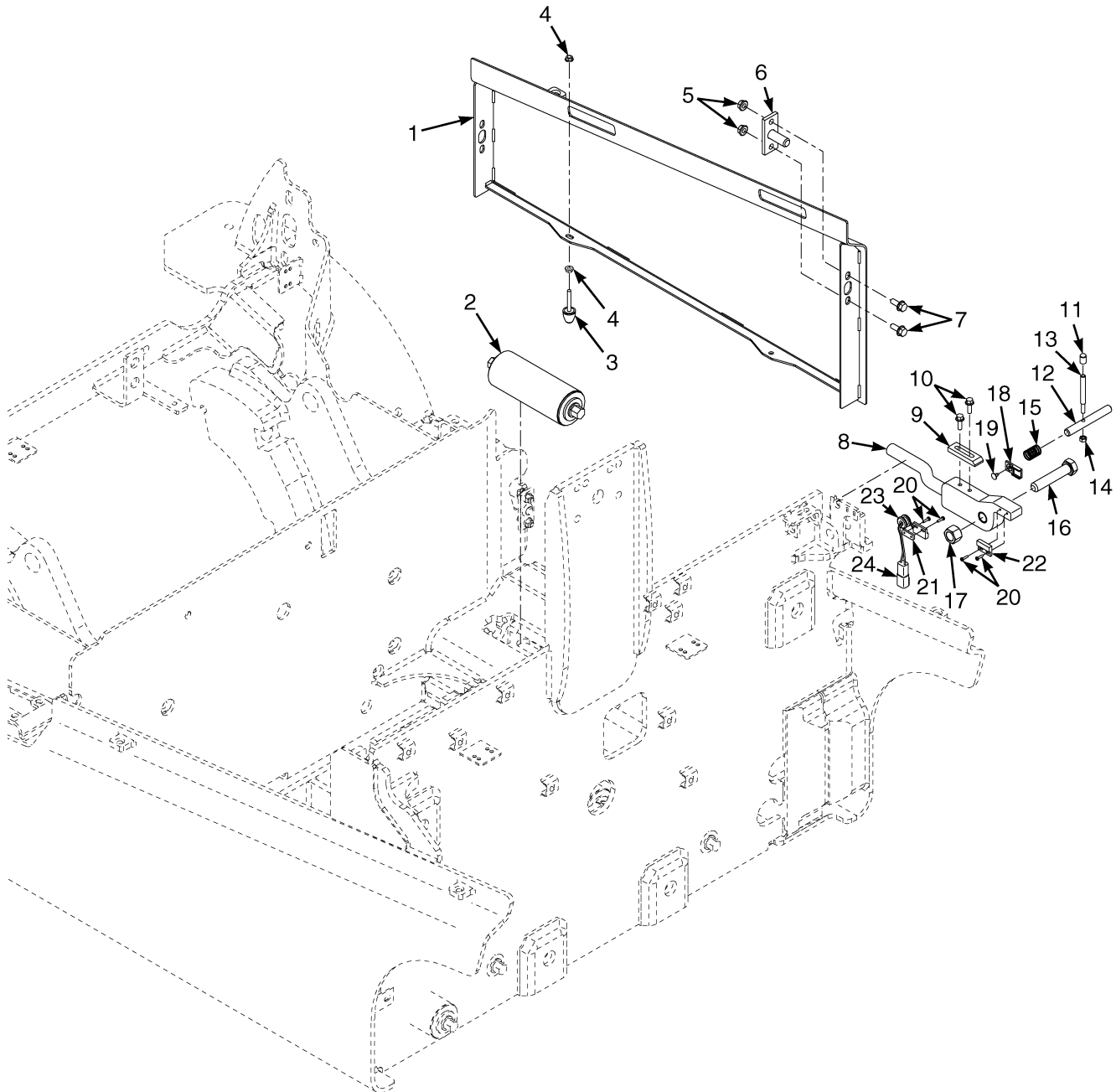
**DRIP SHIELDS AND STATIC STRAP (FIGURE 1-7)**



BP081235

ITEM	PART NO.	DESCRIPTION	QTY
1	1689471	Drip Shield .....	1
2	1398062	Nut (Fold Over) .....	6
3	1510113	Capscrew .....	6
4	216895	Static Strap .....	1
5	1510117	Capscrew .....	1
6	1460477	Nut .....	1
7	296381	Washer .....	1
8	1689642	Drip Shield .....	2

## BATTERY REMOVAL (FIGURE 1-8)



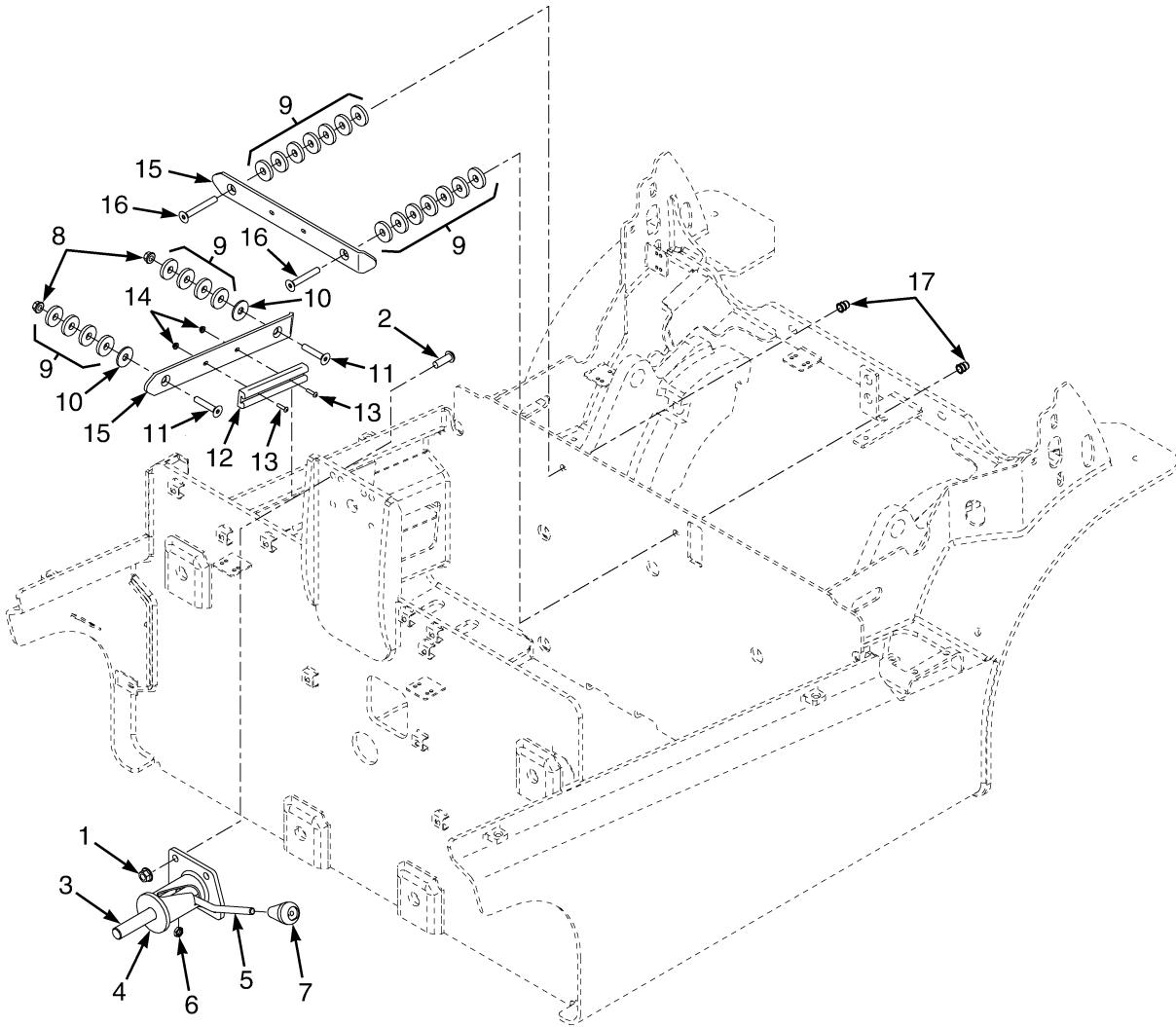
BP120647

**BATTERY REMOVAL**

ITEM	PART NO.	DESCRIPTION	QTY
1	4001574	Gate (Long Wheel-base) .....	1
1	4001573	Gate (Short Wheel-base) .....	1
2	1677335		
	4046964	Roller .....	14
3	1706062	Isolator .....	2
4	1307884		
	1514429	Nut .....	4
5	1382472		
	1502543	Nut (Flange) .....	4
6	4001697	Bracket .....	2
7	1527880	Capscrew .....	4
8	<b>a</b> 4002420	Plate Wldmt .....	1
8	<b>b</b> 4014437	Handle .....	1
8	4014438	Plate Wldmt .....	1
8	1694657	Bushing .....	1
9	<b>b</b> 4014497	Plate .....	1
10	<b>b</b> 1527877	Capscrew .....	2
11	1540805	Cap .....	1
12	4002321	Pin .....	1
13	4002322	Lever .....	1
14	136687	Nut .....	1
15	1677361	Spring .....	1
16	292568	Capscrew .....	1
17	316828	Nut .....	4
18	1500912	Clip .....	1
19	2100710	Fastener .....	1
20	302010	Screw (M3 x .05 x 12) .....	4
21	1585765	Nut .....	1
22	1565545	Magnet .....	1
23	1337798	Grommet .....	1
24	1627835	Switch Assembly .....	1

**FOOTNOTES:****a** → S/N A276B01515H (Raised Hood)**b** S/N A276B01516H → (Raised Hood)

## BATTERY RETENTION AND SPACERS (FIGURE 1-9)



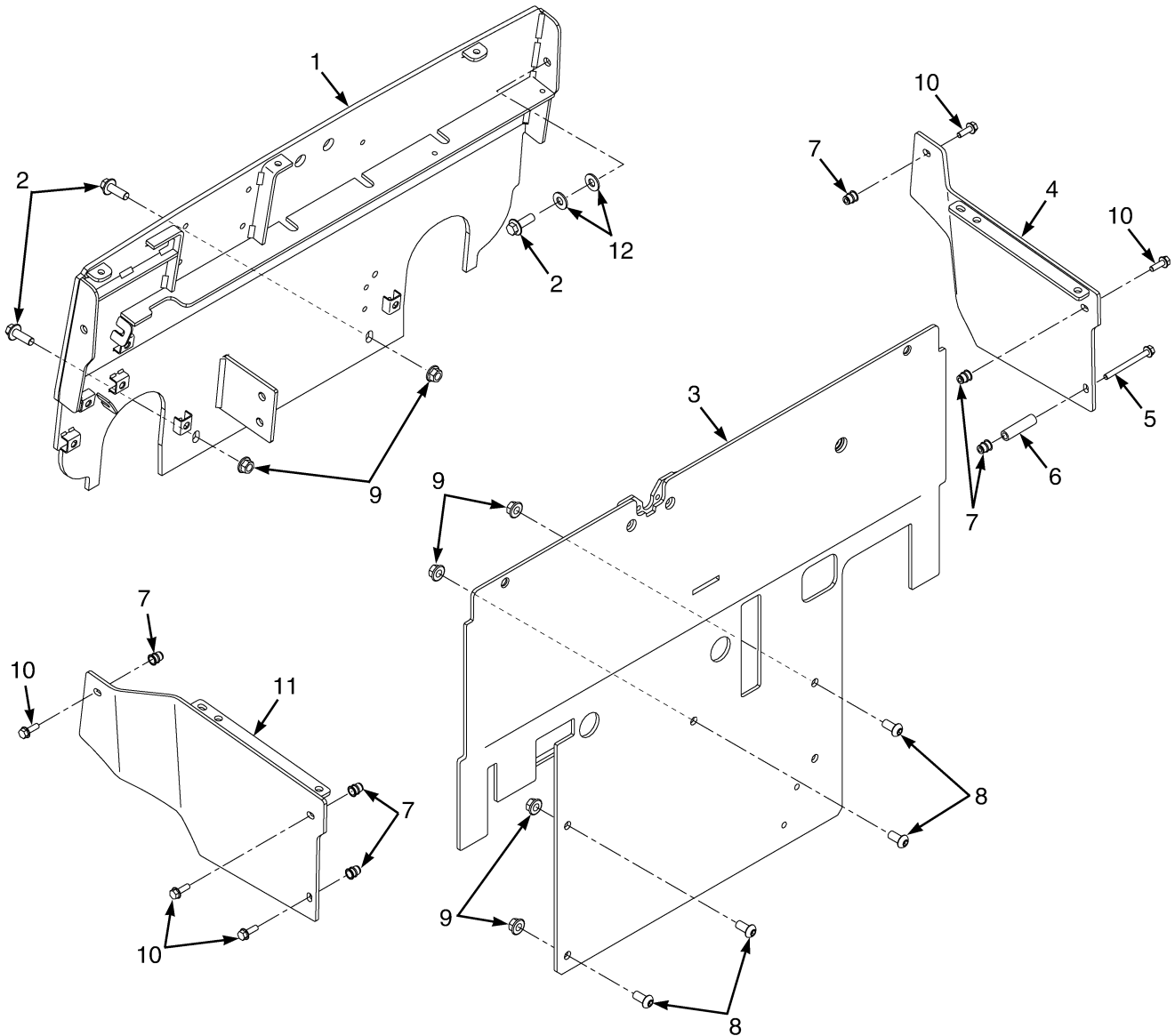
BP120652

**BATTERY RETENTION AND SPACERS**

ITEM	PART NO.	DESCRIPTION	QTY
1	1370949		
	1528888	Nut (Shoulder) .....	4
2	296181	Capscrew .....	4
3	4001070	Pin .....	1
3	4016013	Pin (Alternate Part) .....	1
4	4001069	Retainer .....	1
5	4001071	Rod .....	1
5	4016012	Rod (Alternate Part) .....	1
6	1593336	Nut .....	1
6	1593337	Nut (Alternate Part) .....	1
7	1689915	Knob .....	1
7	2070655	Lens (Blank) (Knob) .....	1
8	<b>a</b> 1530244	Insert .....	2
8	<b>b</b> 1460477	Nut .....	2
9	1657116	Spacer .....	22
10	1665541	Spacer .....	2
11	296241	Capscrew (M10 x 1.5 x 35) .....	2
11	296243	Capscrew (M10 x 1.5 x 45) .....	2
11	296245	Capscrew (M10 x 1.5 x 55) .....	2
12	2096392	Bumper .....	1
13	296154	Capscrew .....	2
14	1565407	Nut .....	2
15	1665644	Plate .....	2
16	296248	Capscrew (M10 x 1.5 x 80) (M10 x 1.5 x 80) .....	2
16	296247	Capscrew (M10 x 1.5 x 70) (M10 x 1.5 x 70) .....	2
16	296244	Screw (M10 x 1.5 x 50) .....	2
17	<b>a</b> 1530244	Insert .....	2
17	<b>b</b> 1460477	Nut .....	2

**FOOTNOTES:****a** → S/N A276B01515H (Raised Hood)**b** S/N A276B01516H → (Riased Hood) (Raised Hood)

## OPERATOR COMPARTMENT (FIGURE 1-10)



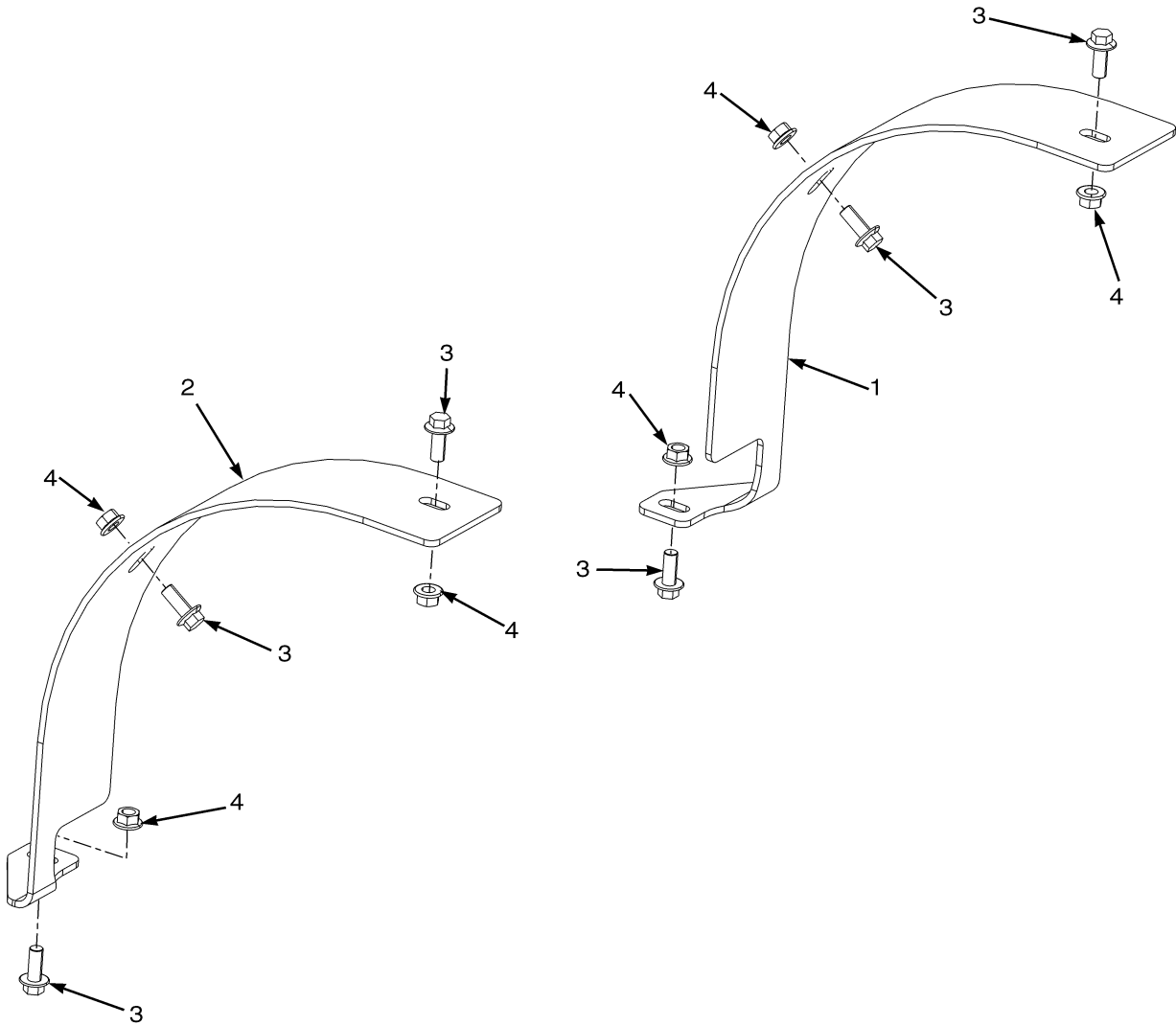
BP120454



**OPERATOR COMPARTMENT****KEY:****A: Vertical Battery Removal****B: Horizontal Battery Removal**

ITEM	PART NO.	DESCRIPTION	QTY	
			A	B
1	4012553	Cowl .....	1	..
1	4012552	Cowl .....	..	1
2	1527888	Capscrew .....	4	4
3	4015831	Bulkhead .....	1	..
3	4015832	Bulkhead .....	..	1
4	4001918	Side Plate Wldmt (RH) .....	1	..
4	4001919	Side Plate Wldmt (RH) .....	..	1
5	4006660	Capscrew .....	1	1
6	4006661	Tube .....	1	1
7	1530243	Insert .....	6	6
8	292527	Capscrew .....	4	4
9	<del>1370949</del>			
	1528888	Nut (Shoulder) .....	6	6
10	1698633	Capscrew .....	5	5
11	4001915	Side Plate Wldmt (LH) .....	1	..
11	4001916	Side Plate Wldmt (LH) .....	..	1

## FENDER (FIGURE 1-11)

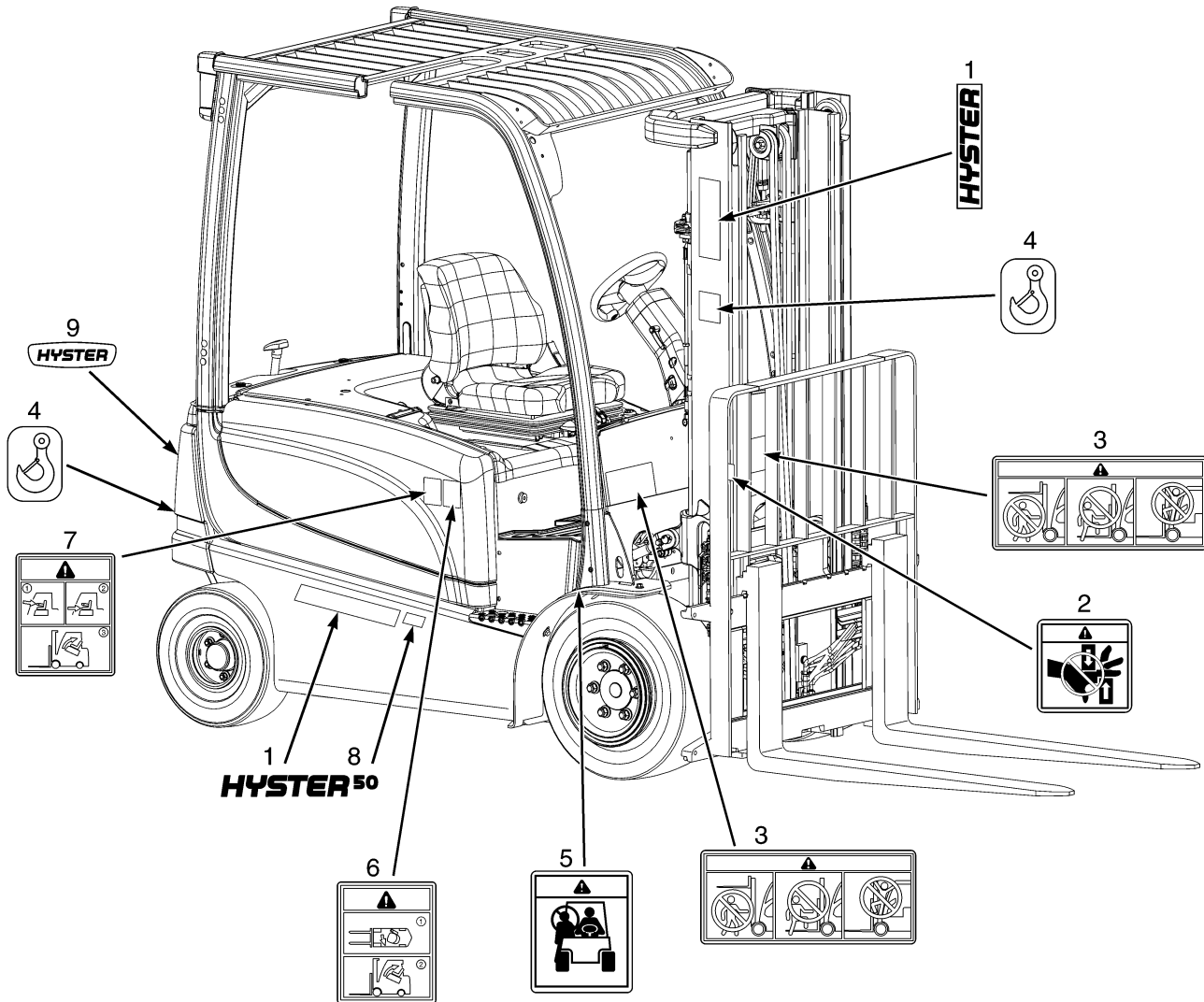


BP120432

**FENDER**

<b>ITEM</b>	<b>PART NO.</b>	<b>DESCRIPTION</b>	<b>QTY</b>
1	1658809	Fender Extension (LH) (Wide Tread) .....	1
2	1658810	Fender Extension (RH) (Wide Tread) .....	1
3	1528889	Capscrew .....	6
4	<del>1370949</del> 1528888	Nut (Shoulder) .....	6

## LABELS (FIGURE 1-12) EXTERIOR

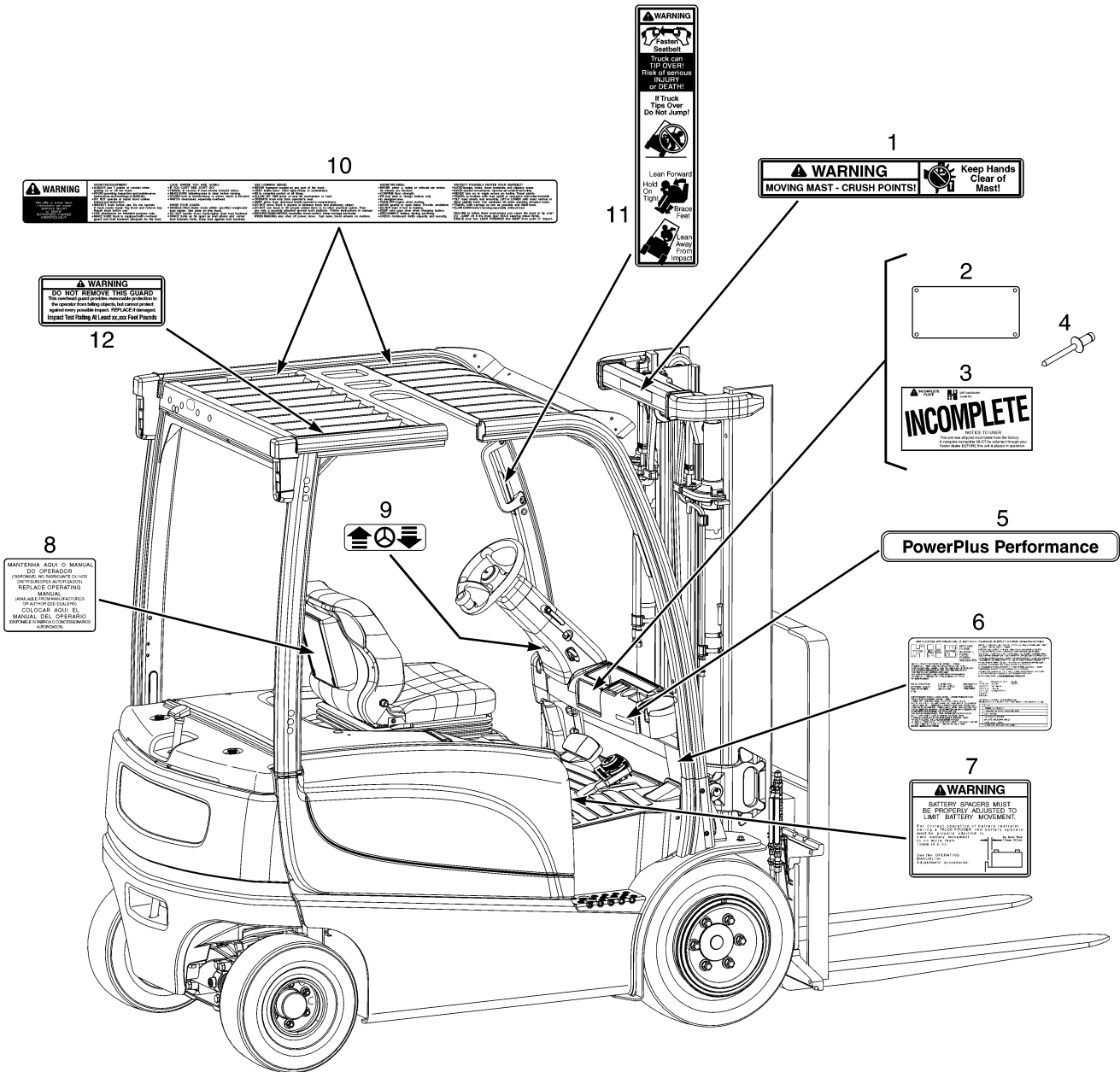


HP121236

**LABELS  
EXTERIOR**

<b>ITEM</b>	<b>PART NO.</b>	<b>DESCRIPTION</b>	<b>QTY</b>
1	1562353	Label (Hyster) .....	4
2	1339832	Label (Pinch Point) .....	2
3	2075655	Label (Mast Warning) .....	2
4	316448	Label (Lifting Eye) .....	3
5	1339828	Label (No Riders) .....	2
6	2076171	Label (Swivel Seat Caution) .....	1
7	2083690	Warning Label (Electro-Hydraulic) .....	2
8	1699384	Label (2.2) .....	2
8	1699385	Label (2.5) .....	2
8	1699386	Label (3.0) .....	2
8	1699388	Label (3.5) .....	2
9	1676403	Label (Hyster Counterweight) .....	1

## LABELS (FIGURE 1-13) INTERIOR

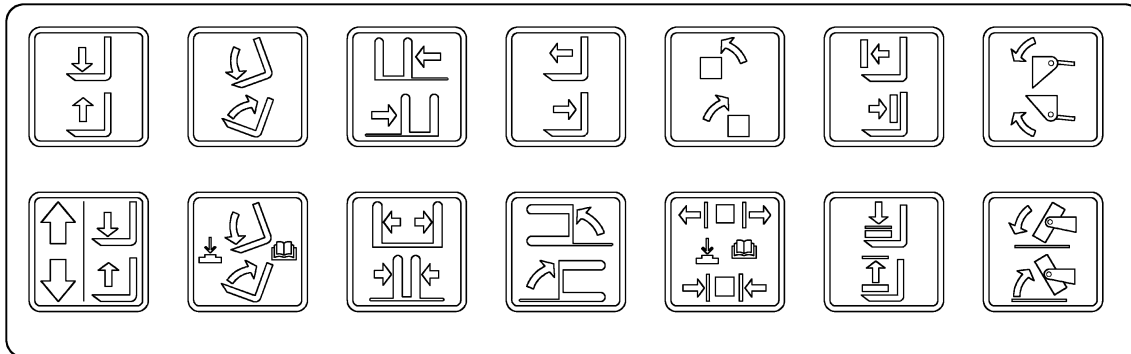
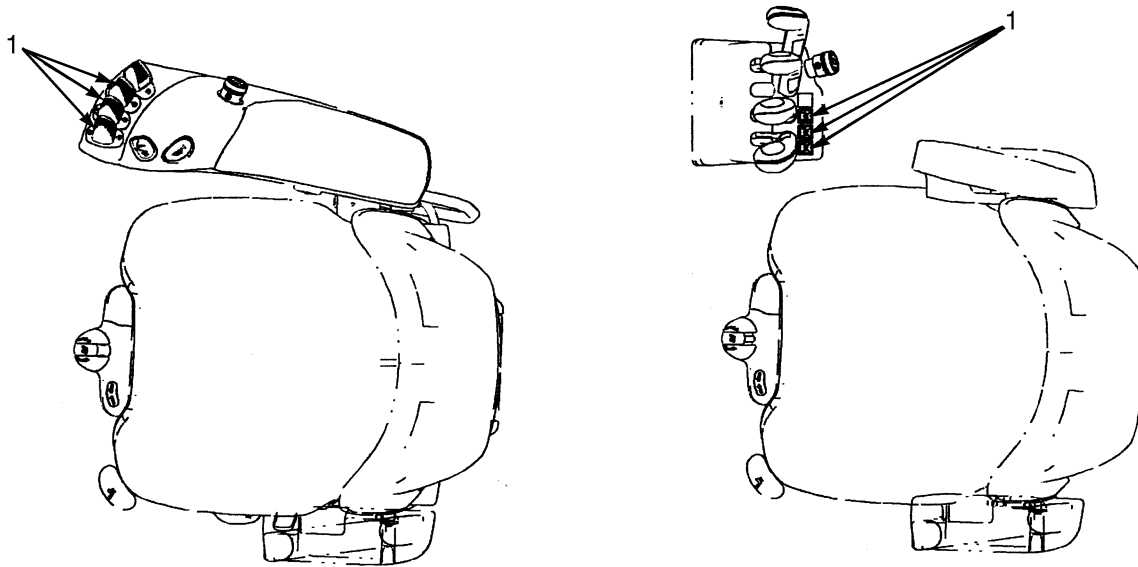


HP121235

**LABELS  
INTERIOR**

<b>ITEM</b>	<b>PART NO.</b>	<b>DESCRIPTION</b>	<b>QTY</b>
1	1343276	Label (Mast Warning) .....	1
2	389688	Nameplate Cover .....	1
3	1574147	Nameplate (Incomplete Truck) (Cover) .....	1
4	170658	Rivet .....	4
5	1702704	Label (Standard Performance) (Advance) .....	1
5	1702705	Label (Enhanced Performance) (Advance +) .....	1
6	1534660	Label (Patents and Trademarks) .....	1
7	1342699	Label (Battery Spacer) .....	1
8	1328205	Label (Replace Operator Manual) .....	1
9	2303178	Label (Tilt Column) .....	1
10	2073197	Label (Operator Warning) .....	1
11	1359588	Label (Operator Restraint) .....	2

## LABELS (FIGURE 1-14) HYDRAULIC CONTROL FUNCTIONS



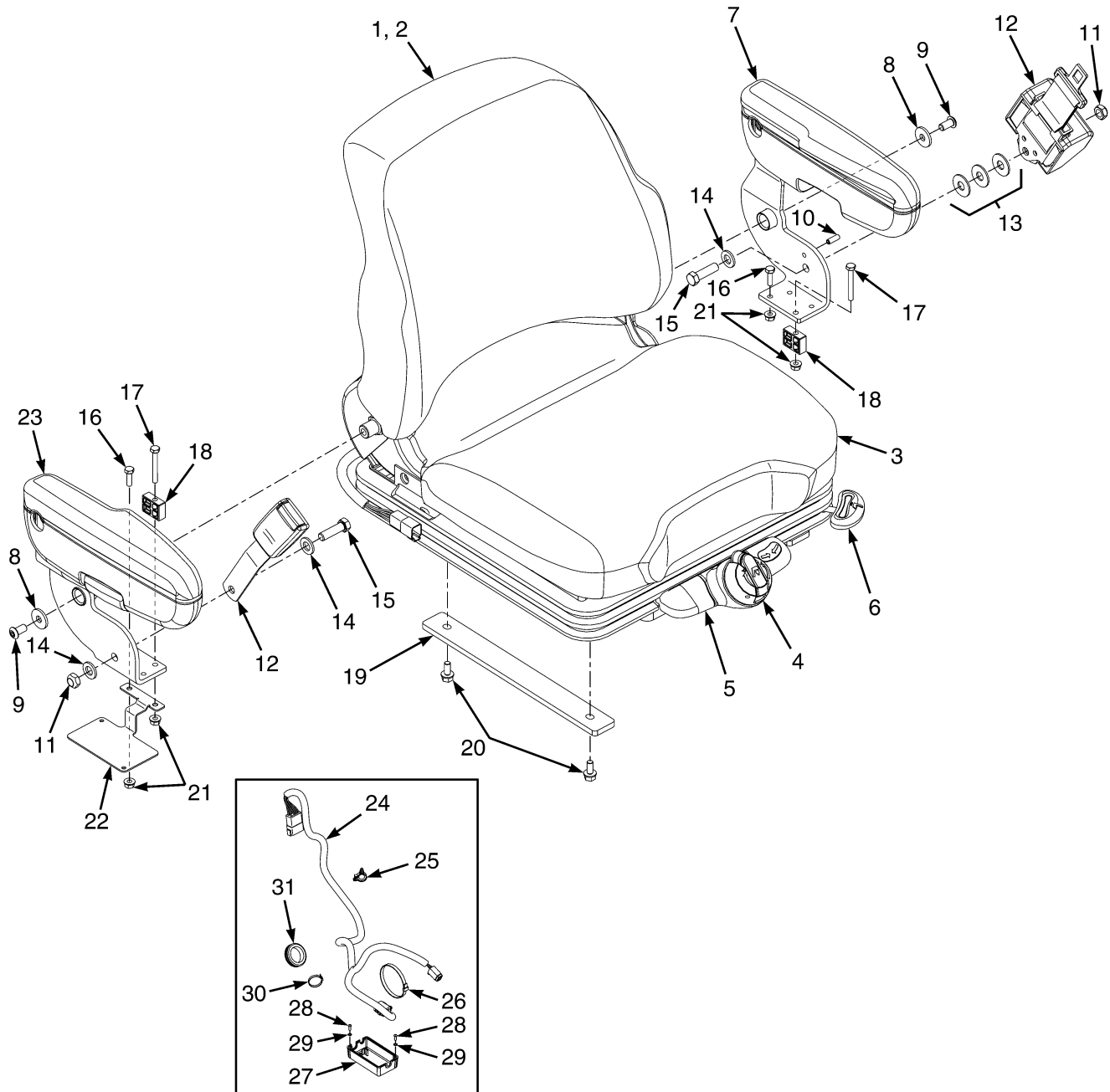
BP120427



**LABELS**  
**HYDRAULIC CONTROL FUNCTIONS**

<b>ITEM</b>	<b>PART NO.</b>	<b>DESCRIPTION</b>	<b>QTY</b>
1	2102640	Label .....	1

## SEATS (FIGURE 1-15) FULL SUSPENSION — SHEET 1 OF 2



BP120663

**SEATS**  
**FULL SUSPENSION – SHEET 1 OF 2****KEY:****A: w/o Electronic Control Arm****B: w/ Electronic Control Arm**

ITEM	PART NO.	DESCRIPTION	QTY	
			A	B
	2101603	Seat-Full Suspension (Cloth-Maximum Travel) (Full Suspension) .....	1	1
	2101602	Seat-Full Suspension (Vinyl-Maximum Travel) (Full Suspension) .....	1	1
	2101604			
	4603384	Seat-Full Suspension (Vinyl) (Swivel) (Full Suspension) .....	1	1
	2101605			
	4603385	Seat-Full Suspension (Cloth) (Swivel) (Full Suspension) .....	1	1
1	1703903	Kit-Cushion (Seat and Back, Vinyl) .....	1	1
1	1703900	Kit-Cushion (Seat and Back, Cloth) .....	1	1
2	1703901	Kit-Cushion (Back Cushion, Vinyl) .....	1	1
2	1703898	Kit-Cushion (Back Cushion, Cloth) .....	1	1
2	.....	Back Cushion .....	1	1
2	1584643	Screw .....	2	2
3	1703902	Kit-Seat Cushion (Vinyl) .....	1	1
3	1703899	Kit-Seat Cushion (Cloth) .....	1	1
3	.....	Seat Cushion .....	1	1
3	1637285	Spring .....	2	2
3	1513089	Cotter Pin (Hair) .....	2	2
4	1703892	Kit-Weight Adjuster .....	1	1
4	.....	Knob .....	1	1
4	.....	Bushing .....	1	1
4	.....	Washer .....	1	1
4	.....	Pin .....	1	1
4	.....	U-Joint .....	1	1
5	1703894	Kit-Service (Front Panel) (With Swivel) .....	1	1
5	.....	Front Panel .....	1	1
5	.....	Knob .....	1	1
5	.....	Socket Head Capscrew .....	2	2
5	.....	Roll Pin .....	1	1
5	1703893	Kit-Service (Front Panel) (Without Swivel) .....	1	1
5	.....	Front Panel .....	1	1
5	.....	Socket Head Capscrew .....	2	2
5	.....	Roll Pin .....	1	1
6	4043082	Kit-Seat Rail .....	1	1
6	.....	Locking Rail .....	1	1
6	.....	Slave Rail .....	1	1
6	.....	Bolt .....	4	4
6	1367150	Nut .....	4	4
7	2099947	Armrest (LH) .....	1	1
8	1512536	Washer .....	2	1
9	18735	Screw .....	2	1
10	19901	Roll Pin .....	1	1
11	221353	Locknut .....	2	2
12	1598504	Kit-Seat Belt (Black) .....	1	1
13	15177	Washer .....	3	3
14	1581852	Washer .....	3	3

## SEATS FULL SUSPENSION – SHEET 1 OF 2

**KEY:**

**A:** w/o Electronic Control Arm

**B:** w/ Electronic Control Arm

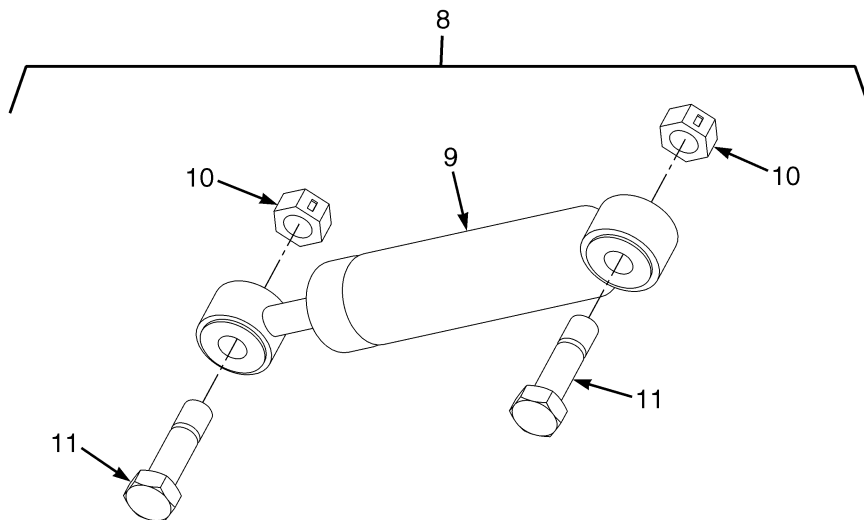
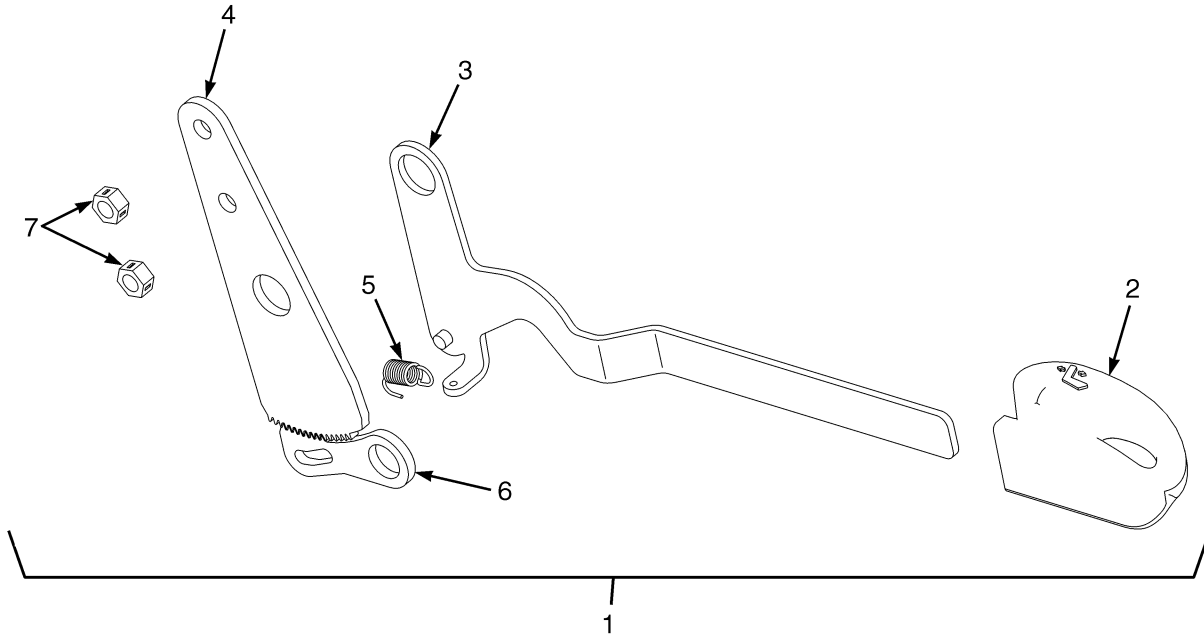
ITEM	PART NO.	DESCRIPTION	QTY	
			A	B
15	16375	Capscrew .....	2	1
15	18562	Capscrew .....	..	1
16	18462	Capscrew .....	2	1
17	18471	Capscrew .....	2	1
18	1512544	Block .....	2	1
18	4007318	Spacer (Alternate Part) .....	2	1
19	4004912	Plate (Max Travel Mounting) .....	2	2
20	1583611	Capscrew (Max Travel Seat Mount) (Alternate Part) .....	4	4
21	169874	Nut .....	4	2
22	1695690	Bracket .....	1	..
23	2099949	Armrest (Right-Hand Side) .....	1	..
23	1694521	Armrest (Right-Hand Side) (Electro-Hydraulic Control) .....	..	1
24	2104030	Wire Harness (Seat) .....	..	1
24	2104097	Wire Harness (Seat) .....	1	..
25	1402815	Clip .....	1	1
26	129563	Strap Clamp .....	1	1
27	2107969	Cover (Seat Side Electrical) .....	1	1
28	1694830	Capscrew .....	2	2
29	296357	Washer .....	2	2
30	137852	Strap Clamp .....	1	1
31	2107319	Grommet .....	1	1
	1703895	Kit-Service Internal Tether-80 MM Travel (Max Travel) .....	1	1
	1703896	Kit-Service Internal Tether-56 MM Travel (With Swivel) .....	1	1
	1703897	Kit-Service Internal Tether-40 MM Travel (Low Profile) .....	1	1
	a 2099950	Seat Cover (Right-Hand Side) .....	1	..
	a 1694700	Spacer .....	..	1
	a 1563208	Sensor (Operator Presence) .....	1	1
	a 1692919	Wire Harness .....	1	1
	a 1470155	Information Case (Kit) .....	1	1
	a 1482925	Plate (Book Box) .....	1	1
	a 1482948	Box (Book) .....	1	1
	a 1482950	Cover .....	1	1
	a 1482949	Screw .....	4	4
	a 4027341	Bracket (Angle Controller) .....	1	1
	a 114312	Strap Clamp .....	1	1

**FOOTNOTES:**

**a** Not Illustrated



## SEATS (FIGURE 1-16) FULL SUSPENSION — SHEET 2 OF 2

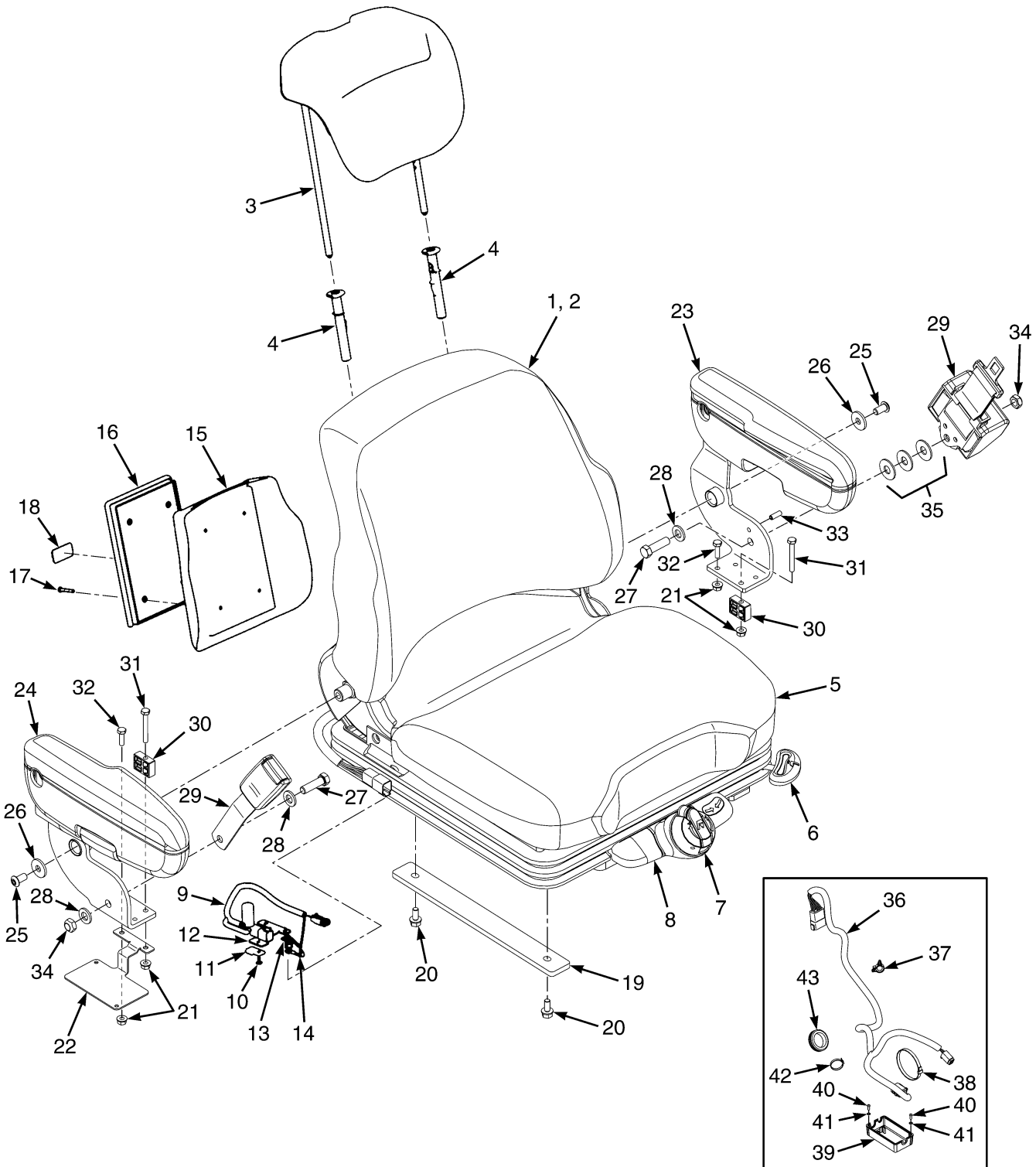


BP120646

**SEATS**  
**FULL SUSPENSION – SHEET 2 OF 2**

ITEM	PART NO.	DESCRIPTION	QTY
1	1703891	Kit-Recliner (Back Seat Adjustment) .....	1
2	.....	Knob .....	1
3	.....	Lever .....	1
4	1482905	Plate .....	1
5	.....	Spring .....	1
6	1482906	Latch .....	1
7	1367150	Nut .....	2
8	1703890	Kit-Damper Service .....	1
9	1584632	Damper .....	1
10	1367150	Nut .....	2
11	1584638	Bolt .....	2

## SEAT (FIGURE 1-17) FULL SUSPENSION, HIGH BACK — SHEET 1 OF 2



BP120797



**SEAT**  
**FULL SUSPENSION, HIGH BACK – SHEET 1 OF 2**

ITEM	PART NO.	DESCRIPTION	QTY
	4605183	Seat-Full Suspension (Vinyl) (High Back, Lumbar) .....	1
	4605182	Seat-Full Suspension (Cloth) (High Back, Lumbar) .....	1
1	4016924	Kit-Cushion (Seat Back, Vinyl) .....	1
1	4016928	Kit-Cushion (Seat Back, Cloth) .....	1
2	.....	Back Cushion .....	1
2	1584643	Screw .....	2
3	4016926	Cushion (Head Rest) .....	1
4	1615149	Guide Assembly (Tubes) .....	2
5	1703902	Kit-Seat Cushion (Vinyl) .....	1
5	1703899	Kit-Seat Cushion (Cloth) .....	1
5	.....	Seat Cushion .....	1
5	1637285	Spring .....	2
5	1513089	Cotter Pin (Hair) .....	2
6	1703903	Kit-Cushion (Seat and Back, Vinyl) .....	1
6	4043082	Kit-Seat Rail .....	1
6	.....	Locking Rail .....	1
6	.....	Slave Rail .....	1
6	.....	Bolt .....	4
6	1367150	Nut .....	4
7	1703892	Kit-Weight Adjuster .....	1
7	.....	Knob .....	1
7	.....	Bushing .....	1
7	.....	Washer .....	1
7	.....	Pin .....	1
7	.....	U-Joint .....	1
8	1703893	Kit-Service (Front Panel) (Non Swivel) .....	1
8	.....	Front Panel .....	1
8	.....	Socket Head Capscrew .....	2
8	.....	Roll Pin .....	1
9	4013095	Wire Harness .....	1
10	1483003	Clip .....	1
11	.....	Connector Clip .....	1
12	.....	Retainer Bracket .....	1
13	1482949	Screw .....	2
14	893818	Wire (Ground Wire) .....	1
15	1482925	Plate (Book Box) .....	1
16	1453887	Holder (Manual) .....	1
17	1482949	Screw .....	4
18	1617681	Label (Serial Number) .....	1
19	4004912	Plate (Maxium Travel Mounting) .....	2
20	1583611	Capscrew (Max Travel Seat Mount) .....	1
21	169874	Nut .....	4
22	1695690	Bracket .....	1
23	2099947	Armrest (LH) .....	1
23	1563230	Cushion (LH Armrest) .....	1
24	2099949	Armrest (Right-Hand Side) .....	1
24	1563231	Cushion (RH) .....	1
25	18735	Screw .....	2
26	1512536	Washer .....	2
27	16375	Capscrew .....	2

## SEAT FULL SUSPENSION, HIGH BACK – SHEET 1 OF 2

ITEM	PART NO.	DESCRIPTION	QTY
28	1581852	Washer .....	3
29	1598504	Kit-Seat Belt (Black) .....	1
30	4007318	Spacer .....	2
31	18471	Capscrew .....	2
32	18462	Capscrew .....	2
33	19901	Roll Pin .....	1
34	221353	Locknut .....	2
35	15177	Washer .....	3
36	2104097	Wire Harness (Seat) .....	1
36	2104030	Wire Harness (Seat) .....	1
37	1402815	Clip .....	1
38	129563	Strap Clamp .....	1
39	2107969	Cover (Seat Side Electrical) .....	1
40	1694830	Capscrew .....	2
41	296357	Washer .....	2
42	137852	Strap Clamp .....	1
43	2107319	Grommet .....	1
	4032461	Kit (Mechanical Lumbar) .....	1
	<b>a</b> 4032460	Kit (Non Swivel Seat) .....	1
	<b>b</b> 2099950	Seat Cover (Right-Hand Side) .....	1
	<b>b</b> 1563208	Sensor (Operator Presence) .....	1
	<b>b</b> 4027341	Bracket (Angle Controller) .....	1
	<b>b</b> 1703895	Kit-Service Internal Tether-80 MM Travel (Maxium Travel) .....	1
	<b>b</b> 114312	Strap Clamp .....	1

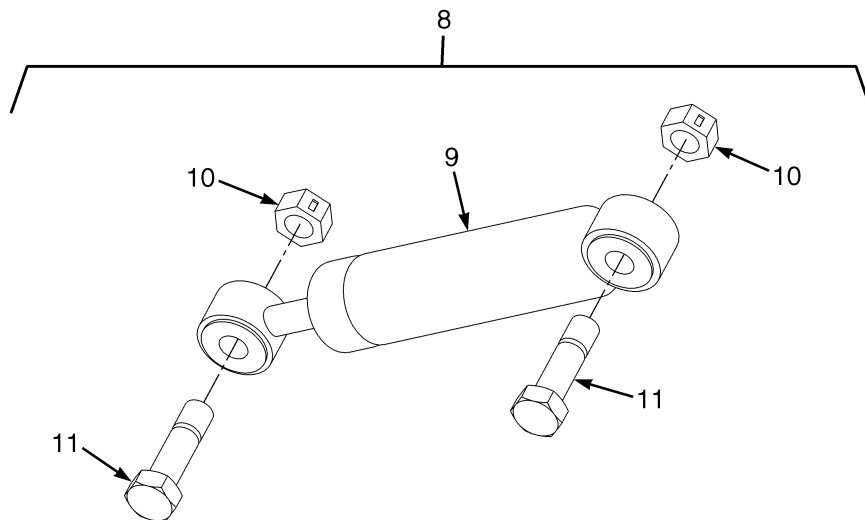
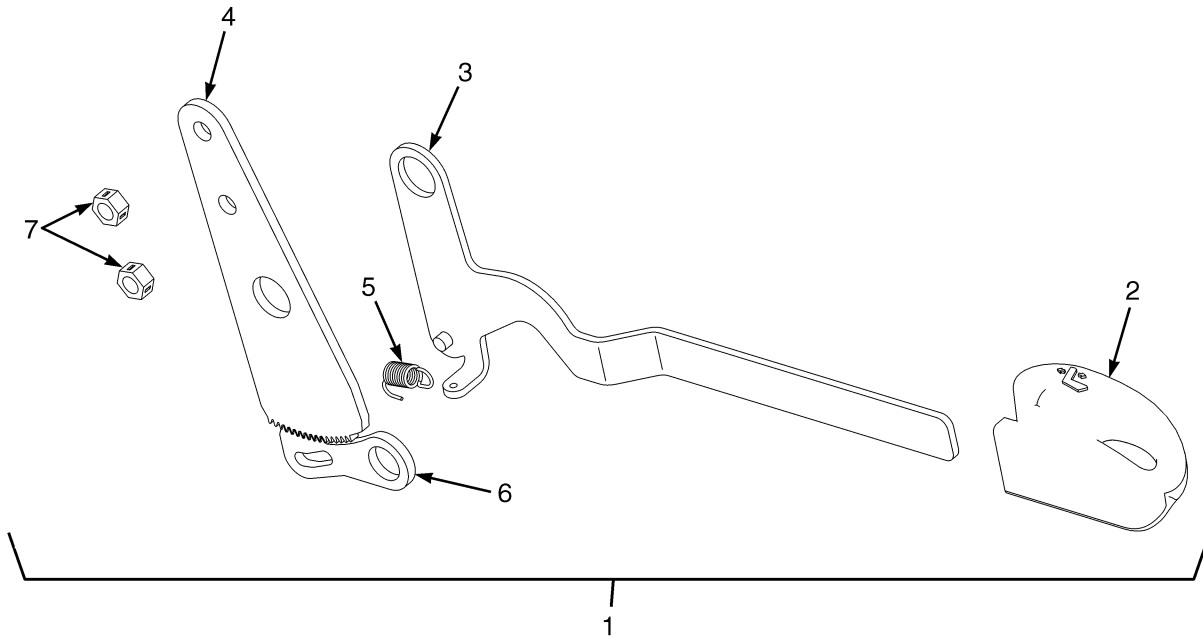
**FOOTNOTES:**

- a** Kit included Tether and Recliner Kit from Sheet 2 of 2 Also      **b** Not Illustrated

**NOTES**

Lined area for notes, consisting of multiple horizontal lines.

## SEAT (FIGURE 1-18) FULL SUSPENSION, HIGH BACK — SHEET 2 OF 2

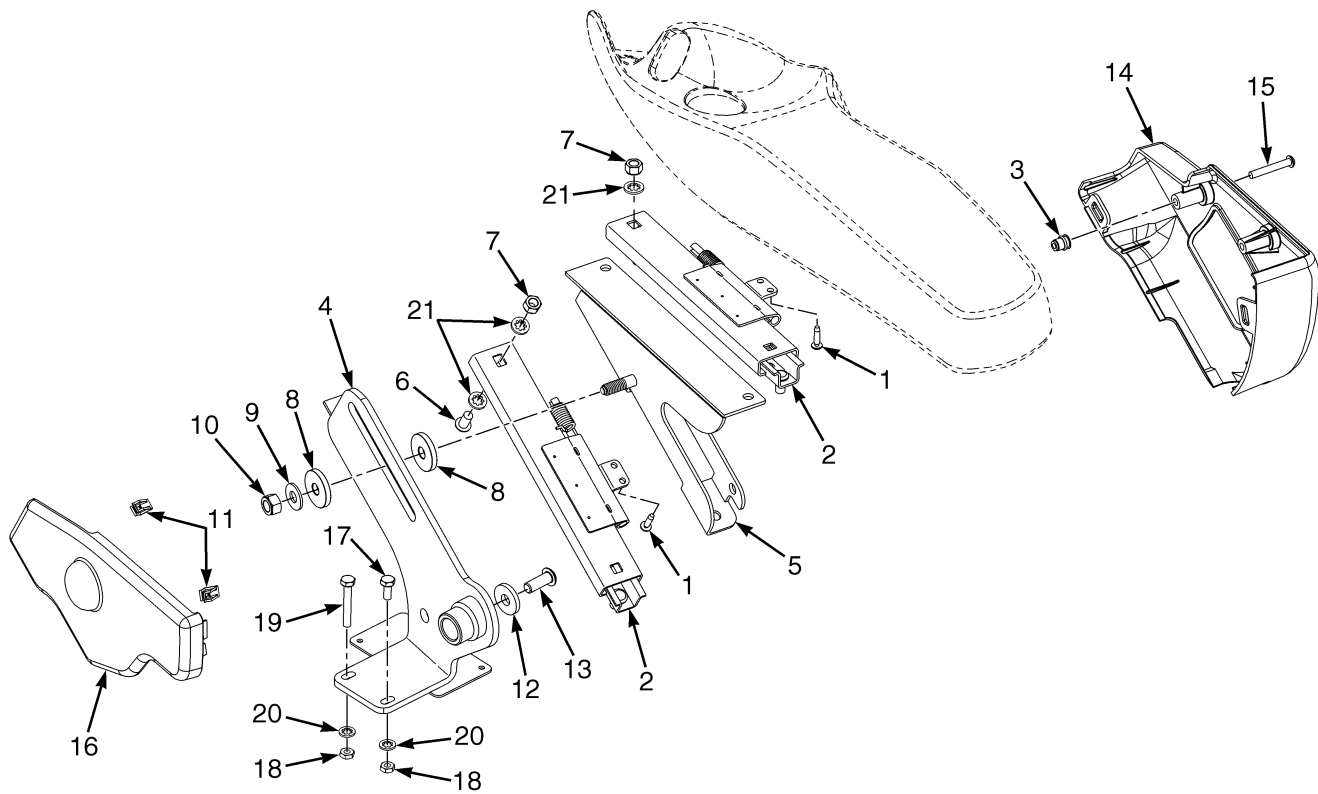


BP120646

**SEAT**  
**FULL SUSPENSION, HIGH BACK – SHEET 2 OF 2**

ITEM	PART NO.	DESCRIPTION	QTY
1	1703891	Kit-Recliner (Back Seat Adjustment) .....	1
2	.....	Knob .....	1
3	.....	Lever .....	1
4	1482905	Plate .....	1
5	.....	Spring .....	1
6	1482906	Latch .....	1
7	1367150	Nut .....	2
8	1703890	Kit-Damper Service .....	1
9	1584632	Damper .....	1
10	1367150	Nut .....	2
11	1584638	Bolt .....	2

## ARMREST SLIDER ASSEMBLY (FIGURE 1-19) (→ 9/2010)



HP121229

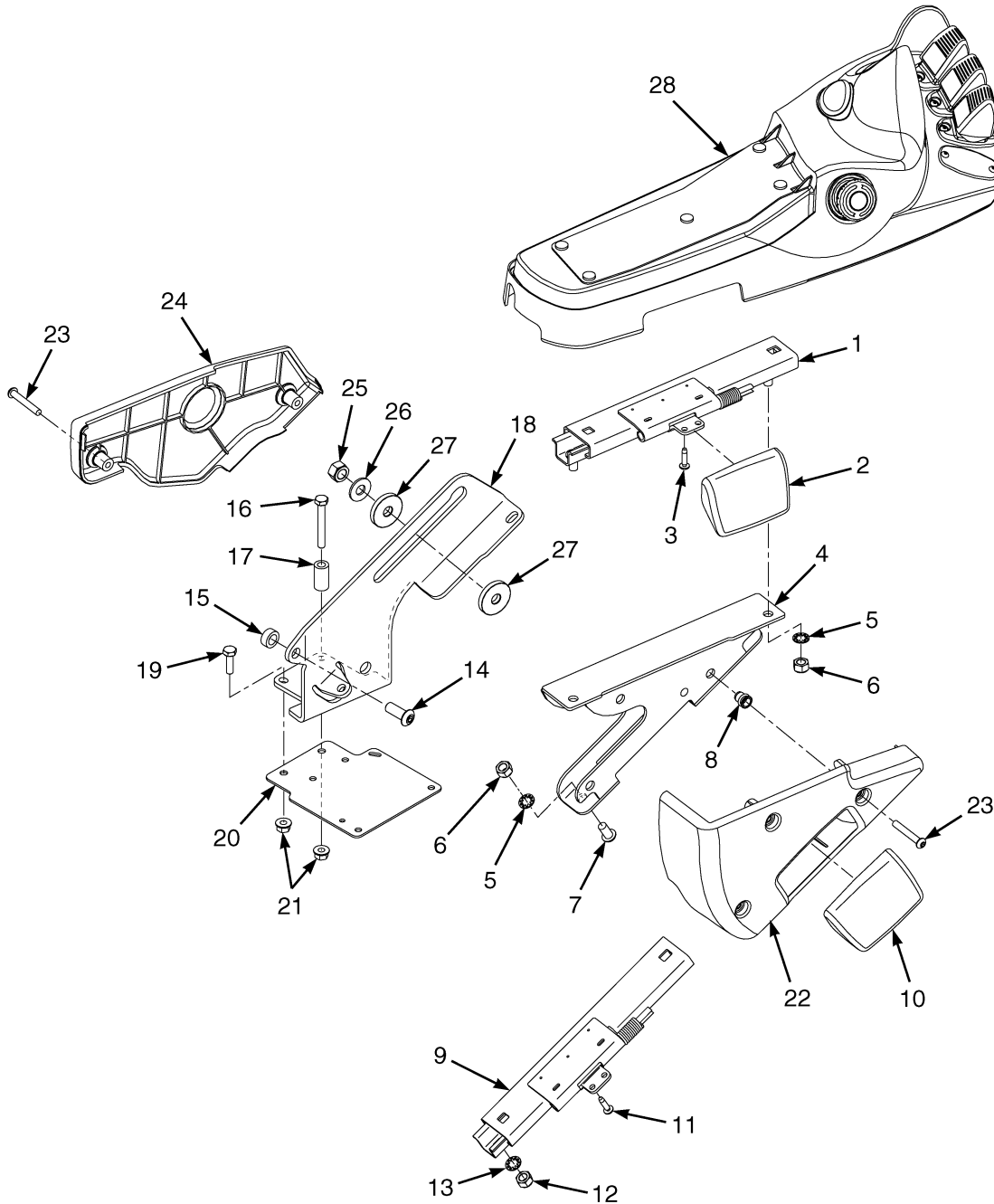
**ARMREST SLIDER ASSEMBLY**

(→ 9/2010)

ITEM	PART NO.	DESCRIPTION	QTY
	1694521	Armrest (Right-Hand Side) Assembly .....	1
	.....	Armrest (Handle Slide Assy-Upper) .....	1
	.....	Armrest (Handle Slide Assy-Lower) .....	1
	<b>a</b> 1655865	Handle (Slider) .....	2
1	227157	Screw .....	4
2	1661511	Armrest (Slider) .....	2
3	1531558	Insert .....	3
4	1661509	Bracket Wldmt .....	1
5	4007052	Bracket Wldmt .....	1
6	296165	Capscrew .....	2
7	313828	Nut .....	6
8	1650640	Washer .....	2
9	320160	Washer .....	1
10	316826	Nut .....	1
11	2065667	Clip .....	2
12	1572889	Washer .....	1
13	18738	Capscrew .....	1
14	4603492	Cover .....	1
15	2062875	Capscrew .....	3
16	4603493	Cover .....	1
17	18462	Capscrew .....	1
18	169874	Nut .....	2
19	18471	Capscrew .....	1
	<b>a</b> 296380	Washer (Star) .....	1
	<b>a</b> 296360	Washer (Star) .....	6
	<b>a</b> 296166	Capscrew .....	2
	<b>a</b> . . . . .	Mini-Lever Controls .....	1

**FOOTNOTES:****a** Not Illustrated

## ARMREST SLIDER ASSEMBLY (FIGURE 1-20) (9/2010 →)



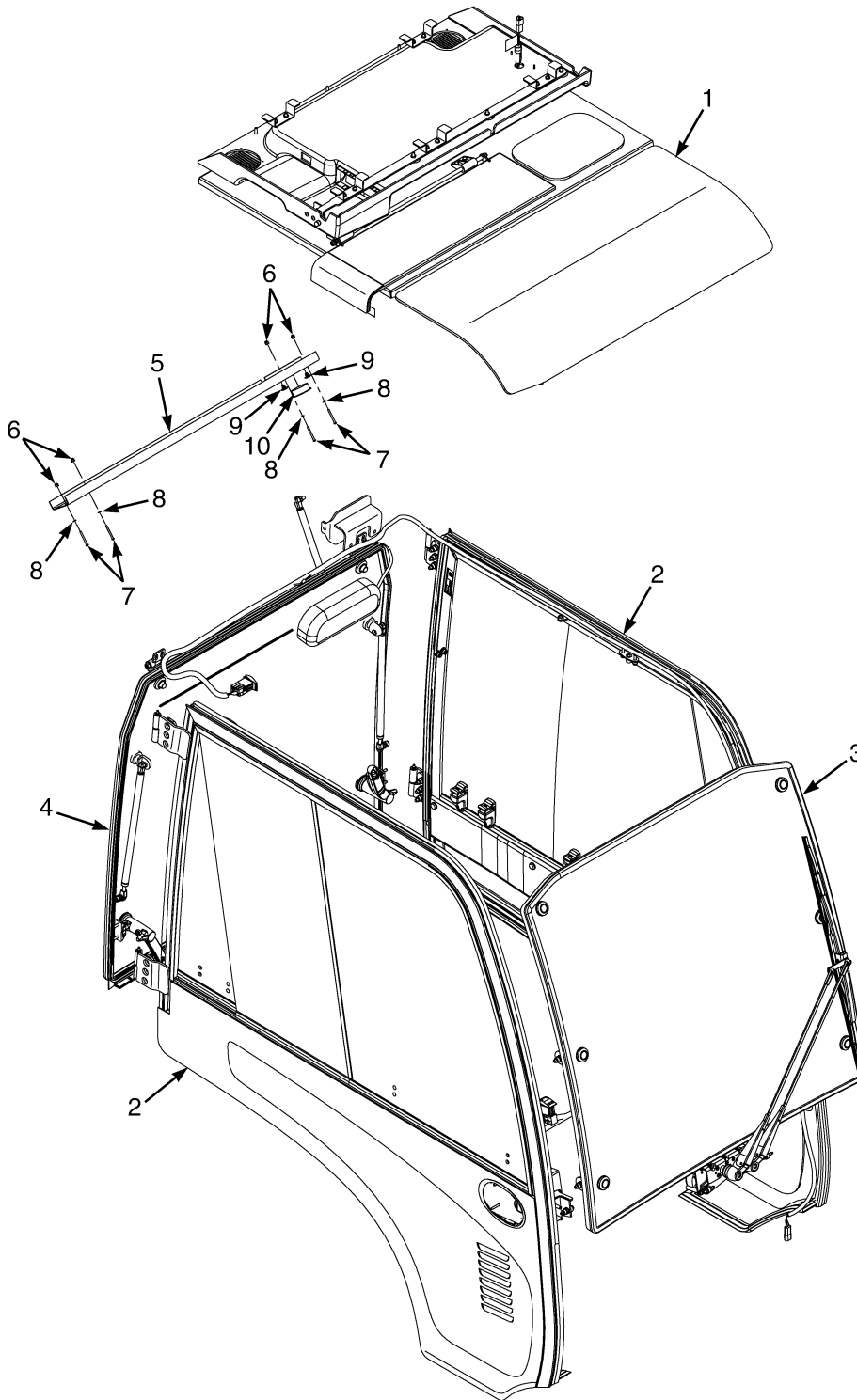
BP120759



**ARMREST SLIDER ASSEMBLY**  
(9/2010 →)

ITEM	PART NO.	DESCRIPTION	QTY
	4005010	Armrest (Slider for Mini Lever) .....	1
1	.....	Armrest (Handle Slide - Upper) .....	1
1	1661511	Armrest (Slider) .....	1
2	1655865	Handle (Slider) .....	1
3	227157	Screw .....	2
4	4007052	Bracket Wldmt .....	1
5	296360	Washer .....	4
6	313828	Nut .....	4
7	296165	Capscrew .....	2
8	1531558	Insert .....	3
9	.....	Armrest (Handle Slide Assy) .....	1
9	1661511	Armrest (Slider) .....	1
10	1655865	Handle (Slider) .....	1
11	227157	Screw .....	2
12	313828	Nut .....	2
13	296360	Washer .....	2
14	18738	Capscrew .....	1
15	4007319	Spacer .....	1
16	18471	Capscrew .....	1
17	4007318	Spacer .....	1
18	4004775	Bracket .....	1
19	18462	Capscrew .....	1
20	4004776	Cover Plate .....	1
21	169874	Nut .....	2
22	4603492	Cover .....	1
23	2062875	Capscrew .....	5
24	4603493	Cover .....	1
25	316826	Nut .....	1
26	320160	Washer .....	1
27	1650640	Washer .....	2
28	.....	Mini-Lever Control Arm .....	1

## CAB (FIGURE 1-21) FULL STEEL

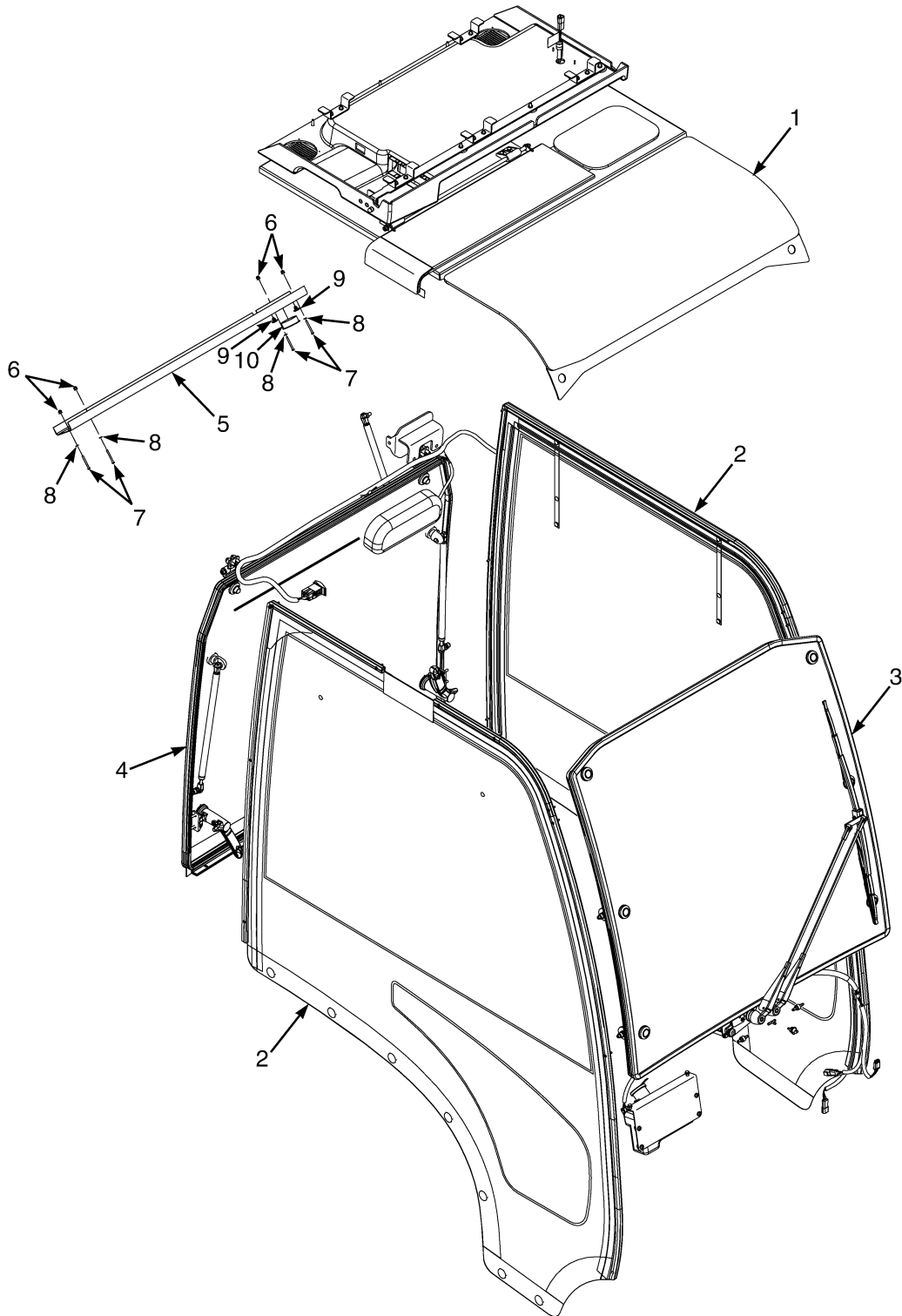


BP200097

**CAB  
FULL STEEL**

ITEM	PART NO.	DESCRIPTION	QTY
1	.....	Top Panel and Roof Assembly (☞Figure 1-32).....	1
2	1695798	Kit-Door (Vertical Battery Removal) (☞Figure 1-27).....	1
2	1698821	Kit-Door (Horizontal Battery Removal) (☞Figure 1-27).....	1
3	.....	Front Panel (☞Figure 1-23).....	1
4	.....	Rear Panel (☞Figure 1-35).....	1
5	4003230	Channel .....	1
6	1683346	Insert .....	4
7	1697553	Capscrew .....	4
8	296377	Washer .....	4
9	1698795	Plug (Black) .....	2
10	1398010	Plug .....	1

## CAB (FIGURE 1-22) WITH PVC DOORS

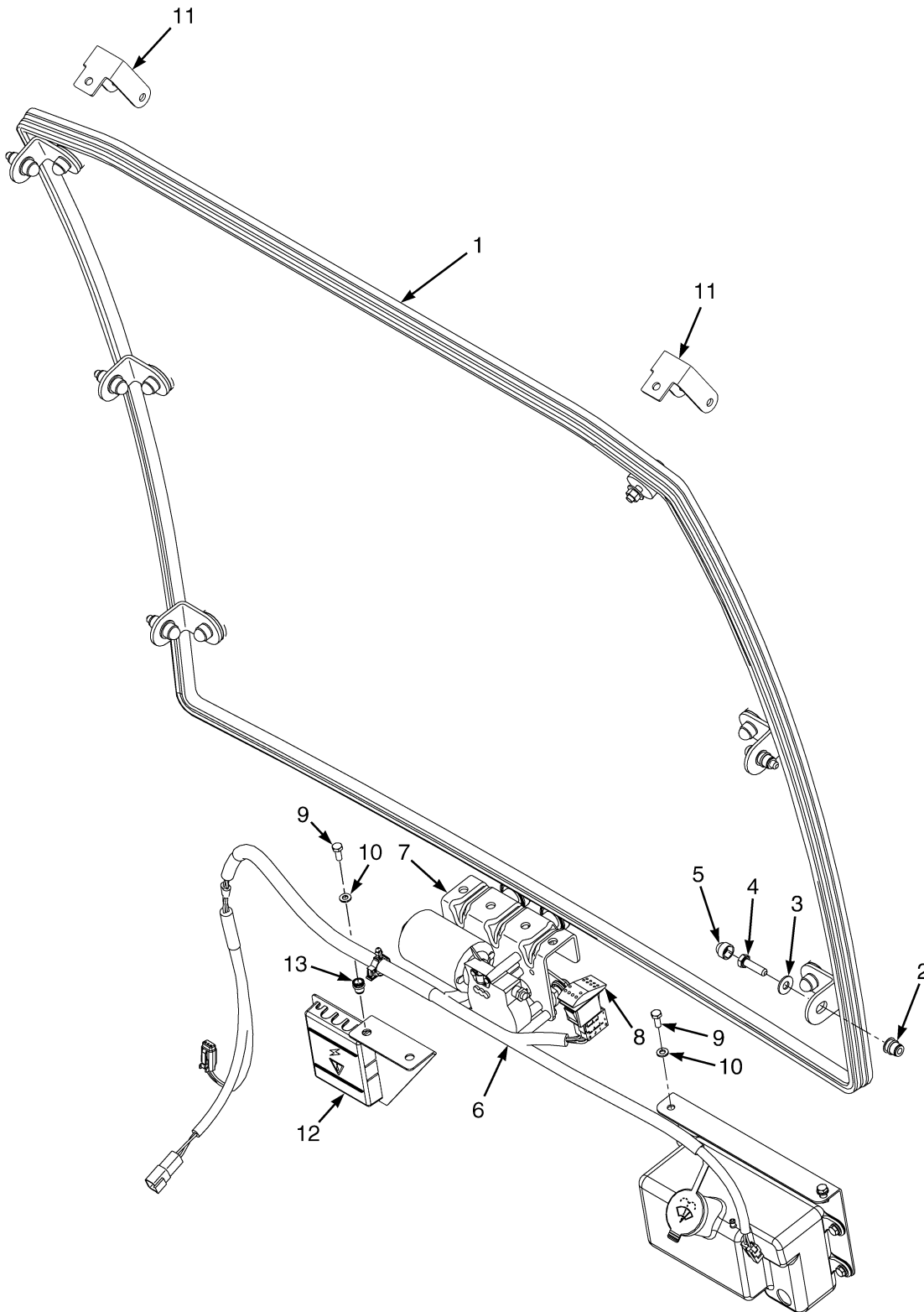


BP200098

**CAB  
WITH PVC DOORS**

ITEM	PART NO.	DESCRIPTION	QTY
1	.....	Top Panel and Roof Assembly (☞Figure 1-32).....	1
2	2109636	Door Pvc (With Vertical Battery Removal) .....	2
2	2109637	Door Pvc (With Horizontal Battery Removal) .....	2
2	2109965	Capscrew .....	19
3	.....	Front Panel (☞Figure 1-23).....	1
4	.....	Rear Panel (☞Figure 1-35).....	1
5	4003230	Channel .....	1
6	1683346	Insert .....	4
7	1697553	Capscrew .....	4
8	296377	Washer .....	4
9	1698795	Plug (Black) .....	2
10	1398010	Plug .....	1

## CAB (FIGURE 1-23) FRONT PANEL AND WIPER

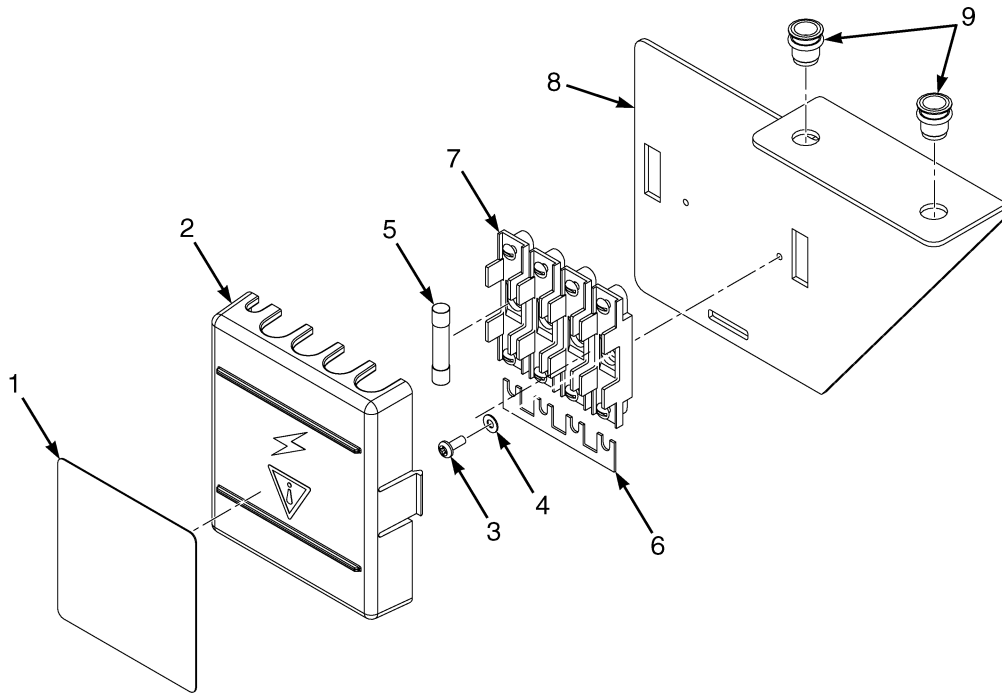


BP200095

**CAB  
FRONT PANEL AND WIPER**

ITEM	PART NO.	DESCRIPTION	QTY
1	1661809	Kit-Front Screen (Front) .....	1
2	1530243	Insert .....	5
3	320157	Washer .....	5
4	2109744	Capscrew .....	5
5	1365296	Cap .....	5
6	2108948	Wire Harness .....	1
7	2109638	Kit-Wiper (☞ Figure 1-26).....	1
8	1699224	Switch .....	1
9	292500	Capscrew .....	2
10	320156	Washer .....	2
11	1697013	Bracket .....	2
12	.....	Fuse Assembly (☞ Figure 1-24).....	1
13	1531558	Insert .....	2

## CAB (FIGURE 1-24) FUSE ASSEMBLY



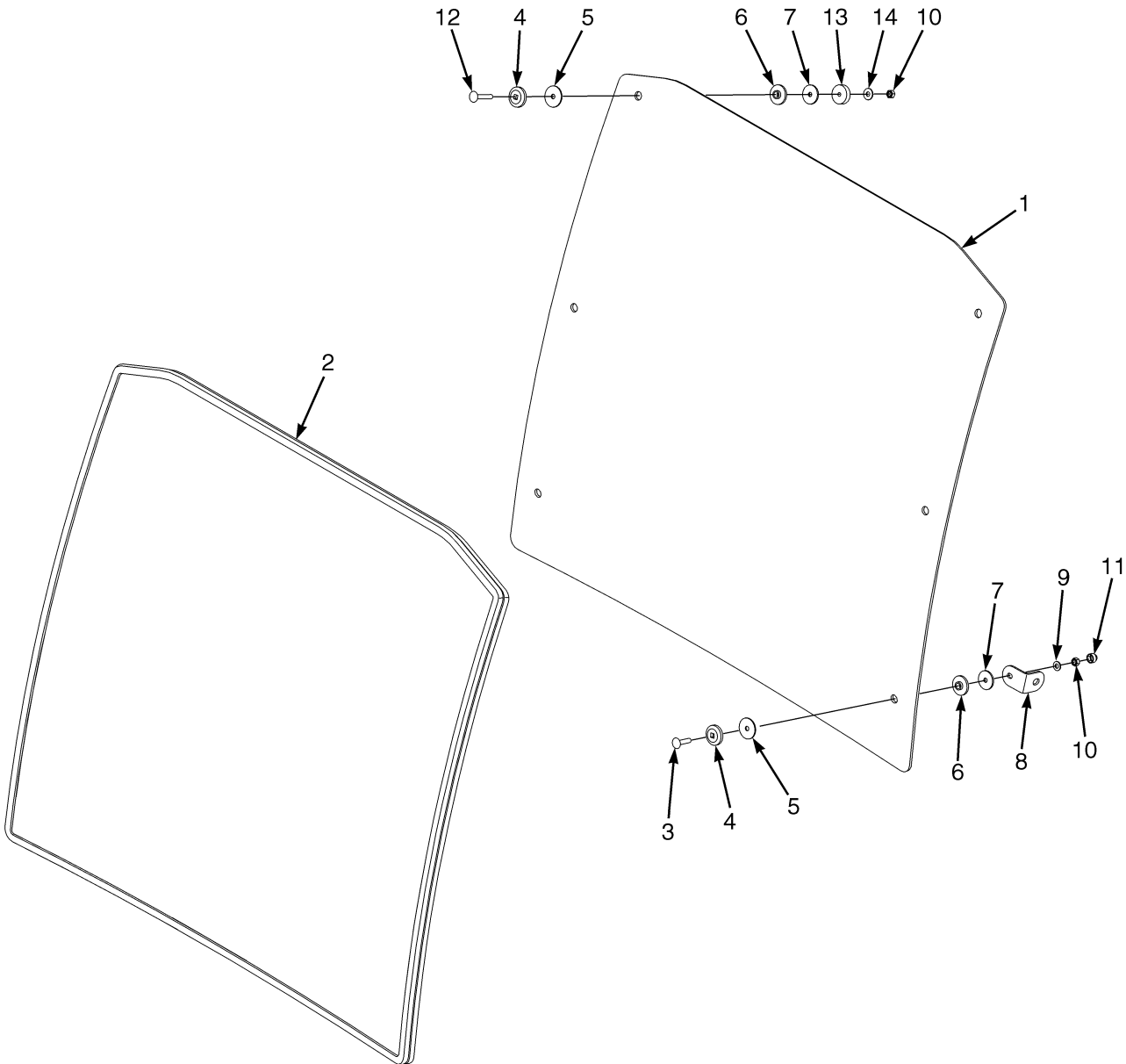
BP200126

ITEM	PART NO.	DESCRIPTION	QTY
	.....	Fuse Assembly .....	1
1	4604773	Label .....	1
2	2105360	Cover .....	1
3	302008	Screw .....	2
4	320152	Washer .....	2
5	350996	Fuse (5 Amp) .....	4
6	1553417	Fuse Connector .....	3
7	1374210	Fuse Block .....	1
8	4012134	Bracket .....	1
9	1531558	Insert .....	2





## CAB (FIGURE 1-25) FRONT PANEL ASSEMBLY

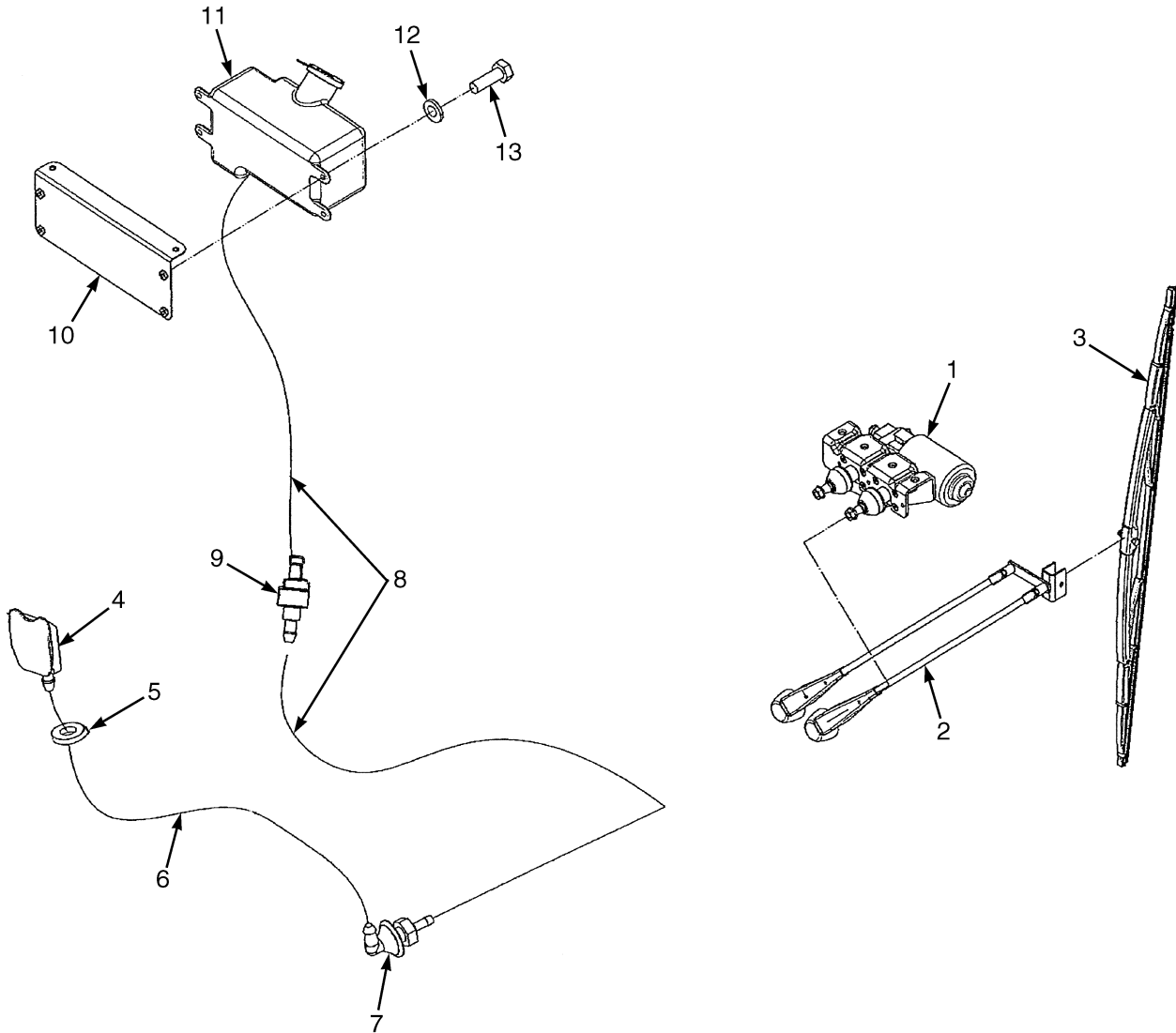


BP120669

**CAB**  
**FRONT PANEL ASSEMBLY**

ITEM	PART NO.	DESCRIPTION	QTY
	1661809	Kit-Front Screen (Front) .....	1
1	4010863	Front Window .....	1
2	1491115	Seal .....	AR
3	1468314	Screw .....	5
4	1468315	Washer .....	6
5	1468316	Washer .....	6
6	1468317	Washer .....	6
7	1598211	Washer .....	6
8	1598210	Bracket .....	5
9	296419	Washer .....	5
10	1468313	Nut .....	6
11	1476584	Cover (Capscrew Head) .....	6
12	1703749	Screw .....	1
13	1703748	Washer .....	1
14	1504941	Washer .....	1

## CAB (FIGURE 1-26) FRONT WIPER ASSEMBLY

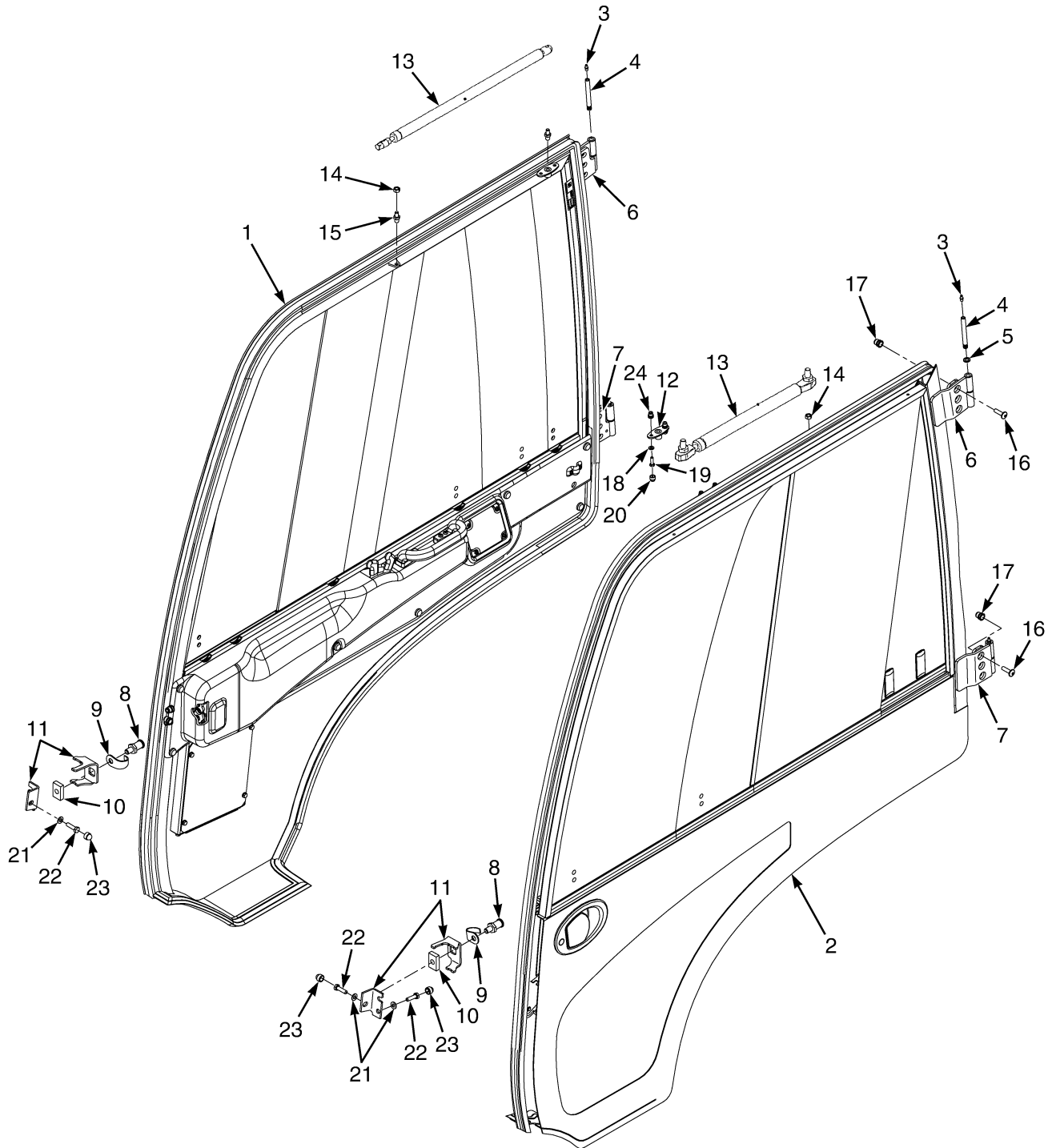


BP200094

**CAB**  
**FRONT WIPER ASSEMBLY**

ITEM	PART NO.	DESCRIPTION	QTY
	2109638	Kit-Wiper .....	1
1	1703722	Wiper Motor .....	1
2	1703723	Wiper Arm .....	1
3	1703729	Wiper Blade .....	1
4	4009401	Clip .....	1
5	4009402	Clamp .....	2
6	1493337	Hose .....	AR
7	1493336	Connector (Spray Nozzle) .....	1
8	1393509	Hose .....	AR
9	1393495	Check Valve .....	1
10	4009400	Bracket .....	1
11	1646922	Reservoir .....	1
11	1705156	Pump (Windshield Washer, 12V) .....	1
11	1635026	Cap .....	1
12	320156	Washer .....	4
13	1623195	Capscrew .....	4

## CAB (FIGURE 1-27) DOOR INSTALLATION



BP200092

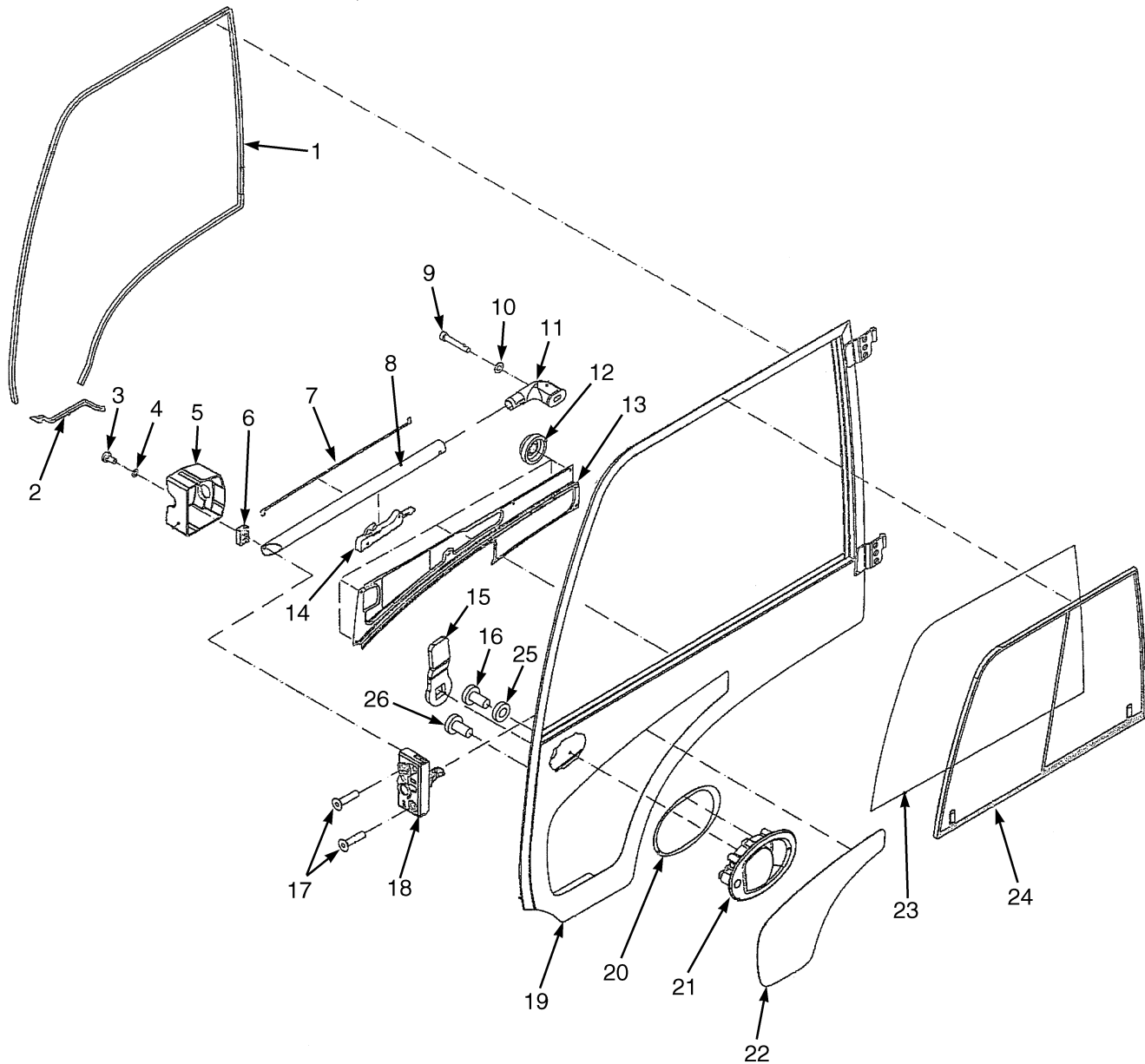
**CAB  
DOOR INSTALLATION**

ITEM	PART NO.	DESCRIPTION	QTY
	<b>c</b> 1695798	Kit-Door (Vertical Battery Removal) .....	1
	<b>b</b> 1698821	Kit-Door (Horizontal Battery Removal) .....	1
1	<b>c</b> 1662518	Door (RH) (Assembly) (☞Figure 1-29).....	1
1	<b>b</b> 1662184	Door (RH) (Assembly) (☞Figure 1-29).....	1
2	<b>c</b> 1662510	Door (LH) (Assembly) (☞Figure 1-28).....	1
2	<b>b</b> 1676903	Door (LH) (Assembly) (☞Figure 1-28).....	1
3	4009414	Fitting .....	4
4	4009413	Pin .....	4
5	1468312	Washer .....	4
6	4009409	Hinge (Left Hand, Upper) .....	1
6	4009410	Hinge (Right Hand, Upper) .....	1
7	4009411	Hinge (Left Hand, Lower) .....	1
7	4009412	Hinge (Right Hand, Lower) .....	1
8	1504955	Bolt .....	2
9	1504954	Guard .....	2
10	1504953	Block (Tapped) .....	2
11	1691918	Striker (Left Hand) .....	1
11	1691919	Striker (Right Hand) .....	1
12	1694706	Bracket (Gas Spring) .....	2
13	1703724	Gas Spring (Left Hand) .....	1
13	1703725	Gas Spring (Right Hand) .....	1
14	1468313	Nut .....	2
15	1393472	Ball Stud .....	2
16	2109744	Capscrew .....	12
17	1530243	Insert .....	18
18	320156	Washer .....	2
19	292501	Capscrew .....	2
20	1699334	Cap .....	2
21	320157	Washer .....	8
22	176640	Bolt .....	6
23	1365296	Cap .....	6
24	1531558	Insert .....	2
	<b>a</b> 136749	Screw .....	2
	<b>a</b> 2064554	Loctite .....	AR

**FOOTNOTES:**

- a** Not Illustrated
- b** With Horizontal Battery Removal
- c** With Vertical Battery Removal

## CAB (FIGURE 1-28) LEFT HAND DOOR ASSEMBLY



BP120469

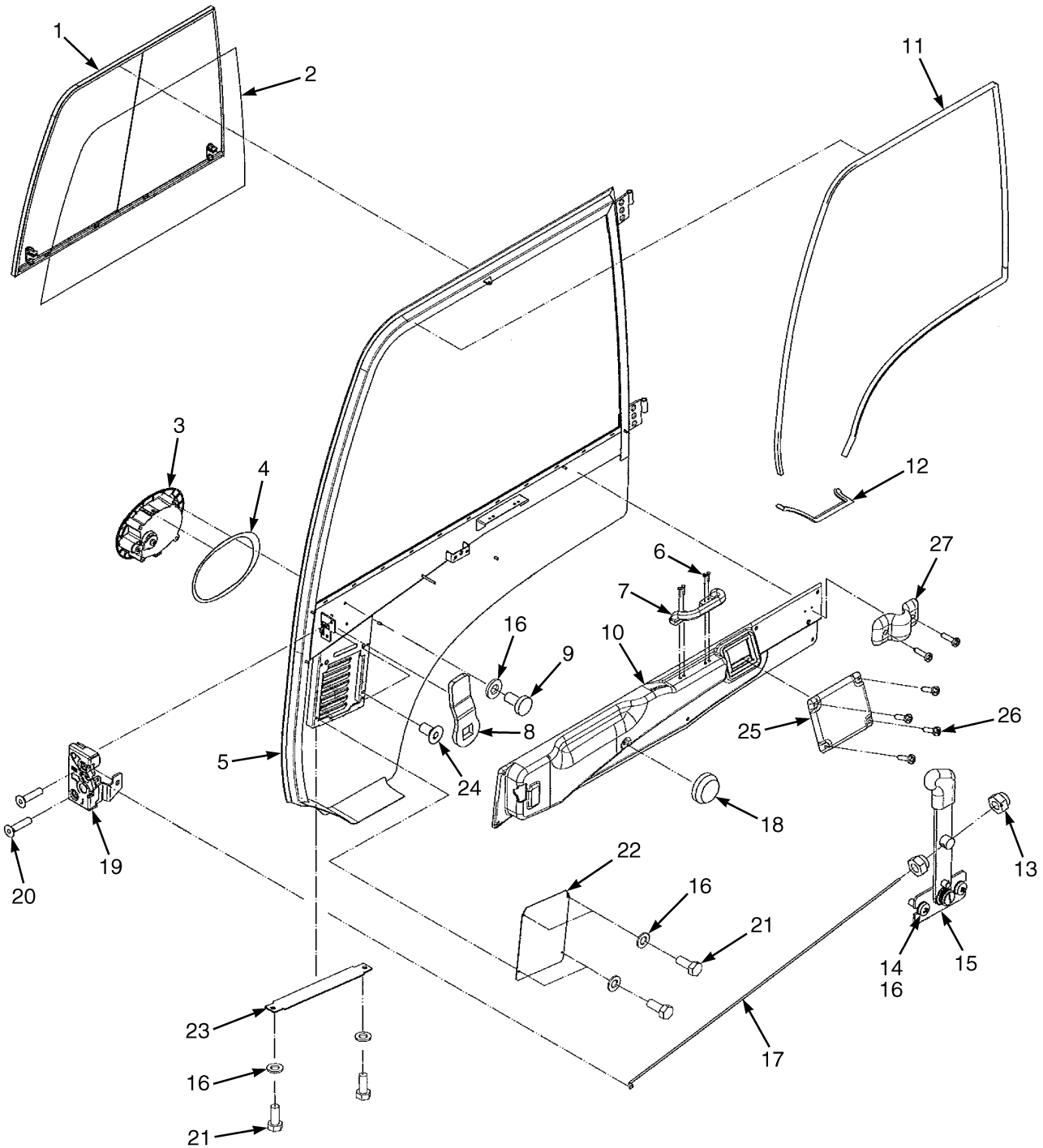


**CAB**  
**LEFT HAND DOOR ASSEMBLY****KEY:****A: With Vertical Battery Removal****B: With Horizontal Battery Removal**

ITEM	PART NO.	DESCRIPTION	QTY	
			A	B
	1662510	Door (LH) .....	1	..
	1676903	Door (LH) .....	..	1
1	1515337	Seal .....	AR	AR
2	1393539	Seal .....	AR	AR
3	1468311	Screw .....	1	1
4	1558303	Washer .....	1	1
5	1489751	Cover .....	1	..
5	4004140	Lockplate .....	..	1
6	1558302	Plate .....	1	1
7	1695067	Rod .....	1	1
8	1695063	Tube .....	1	1
9	1695066	Screw .....	1	1
10	1695065	Washer .....	1	1
11	1695064	Door Handle .....	1	1
12	1598389	Fastener .....	6	6
13	1695068	Cover (Door) .....	1	1
14	1558305	Lock .....	1	1
15	1695061	Plate .....	1	1
16	1506668	Screw .....	4	4
17	1695062	Screw .....	2	2
18	1558446	Latch .....	1	1
19	1695056	Door .....	1	..
19	.....	4004138 .....	..	1
20	1695060	Seal .....	1	..
20	4004139	Seal .....	..	1
21	1695059	Grip .....	1	1
22	1695058	Window (LH Door Bottom) .....	1	1
23	1558294	Seal .....	AR	AR
24	1695057	Window (LH Door) (☞ Figure 1-37).....	1	1
25	320156	Washer .....	..	3
26	1708221	Screw .....	..	1
	<b>a</b> 1593629	Key (For Cab Door Grip) .....	1	1

**FOOTNOTES:****a** Not Illustrated

## CAB (FIGURE 1-29) RIGHT HAND DOOR ASSEMBLY



BP120470

**CAB  
RIGHT HAND DOOR ASSEMBLY**

**KEY:**

**A: With Vertical Battery Removal**

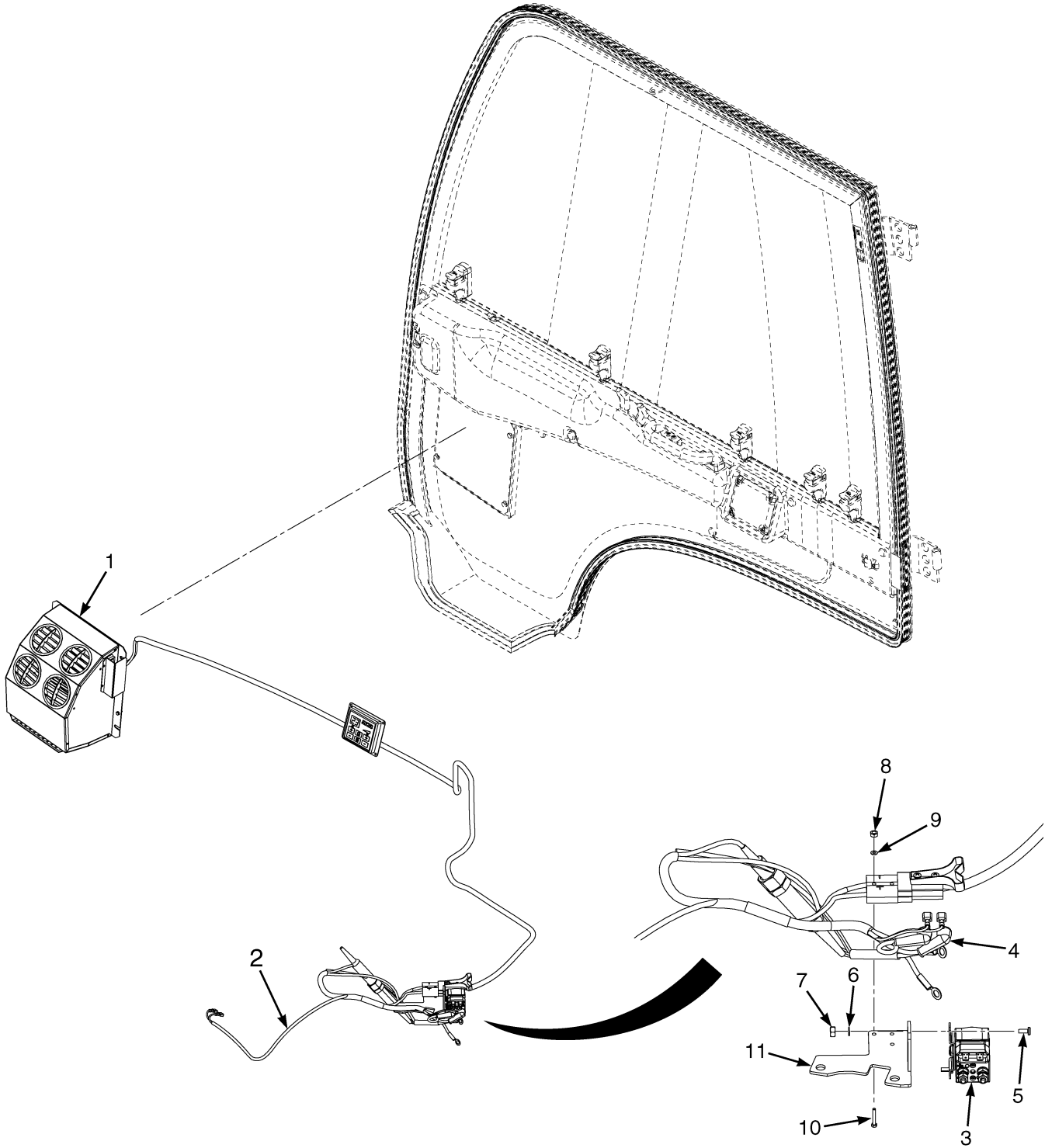
**B: With Horizontal Battery Removal**

ITEM	PART NO.	DESCRIPTION	QTY	
			A	B
	1662518	Door (RH) .....	1	..
	1662184	Door (RH) .....	..	1
1	1695070	Window .....	1	1
2	1558294	Seal .....	AR	AR
3	1695059	Grip .....	1	1
4	1695060	Seal .....	1	..
4	4004139	Seal .....	..	1
5	1695069	Door .....	1	..
5	.....	4004141 .....	..	1
6	1598399	Screw .....	4	4
7	1598406	Handle .....	1	1
8	1695061	Plate .....	1	1
9	1506668	Screw .....	4	4
10	1695073	Cover .....	1	1
11	1515337	Seal .....	AR	AR
12	1393539	Seal .....	AR	AR
13	1492221	Nut .....	2	2
14	302047	Screw .....	2	2
15	1598410	Lever .....	1	1
16	320156	Washer .....	2	..
16	320156	Washer .....	..	11
17	1695072	Rod .....	1	1
18	1598389	Fastener .....	7	7
19	1558301	Latch .....	1	1
20	1695062	Screw .....	2	2
21	1571775	Screw .....	..	6
22	1708238	Plate .....	..	1
23	1708237	Plate .....	..	1
24	1708221	Screw .....	..	1
25	1708235	Cover .....	..	1
26	1468319	Screw .....	..	6
27	1708236	Clamp .....	..	1
	<b>a</b> 1593629	Key (For Cab Door Grip) .....	1	1

**FOOTNOTES:**

**a** Not Illustrated

## CAB (FIGURE 1-30) HEATER

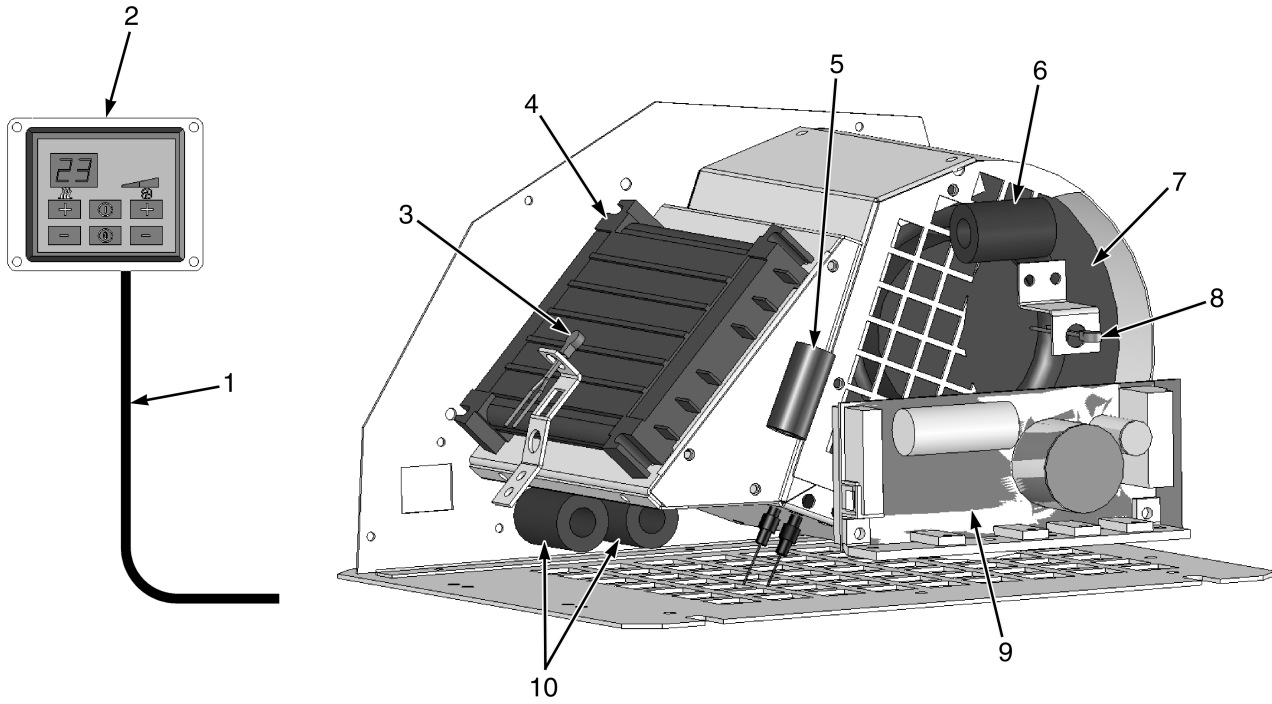


BP120604

**CAB  
HEATER**

ITEM	PART NO.	DESCRIPTION	QTY
1	2109639		
	4607951	Kit-Cab Heater (☞Figure 1-31).....	1
2	2111044	Wire Harness (Heater) .....	1
3	1704844	Contactactor (48 Volt) .....	1
4	190383	Boot .....	2
5	302020	Screw .....	2
6	320154	Washer .....	2
7	1463912	Nut .....	2
8	2074859	Nut .....	2
9	320152	Washer .....	2
10	302231	Capscrew .....	2
11	1702969	Plate Wldmt .....	1

## CAB (FIGURE 1-31) HEATER ASSEMBLY



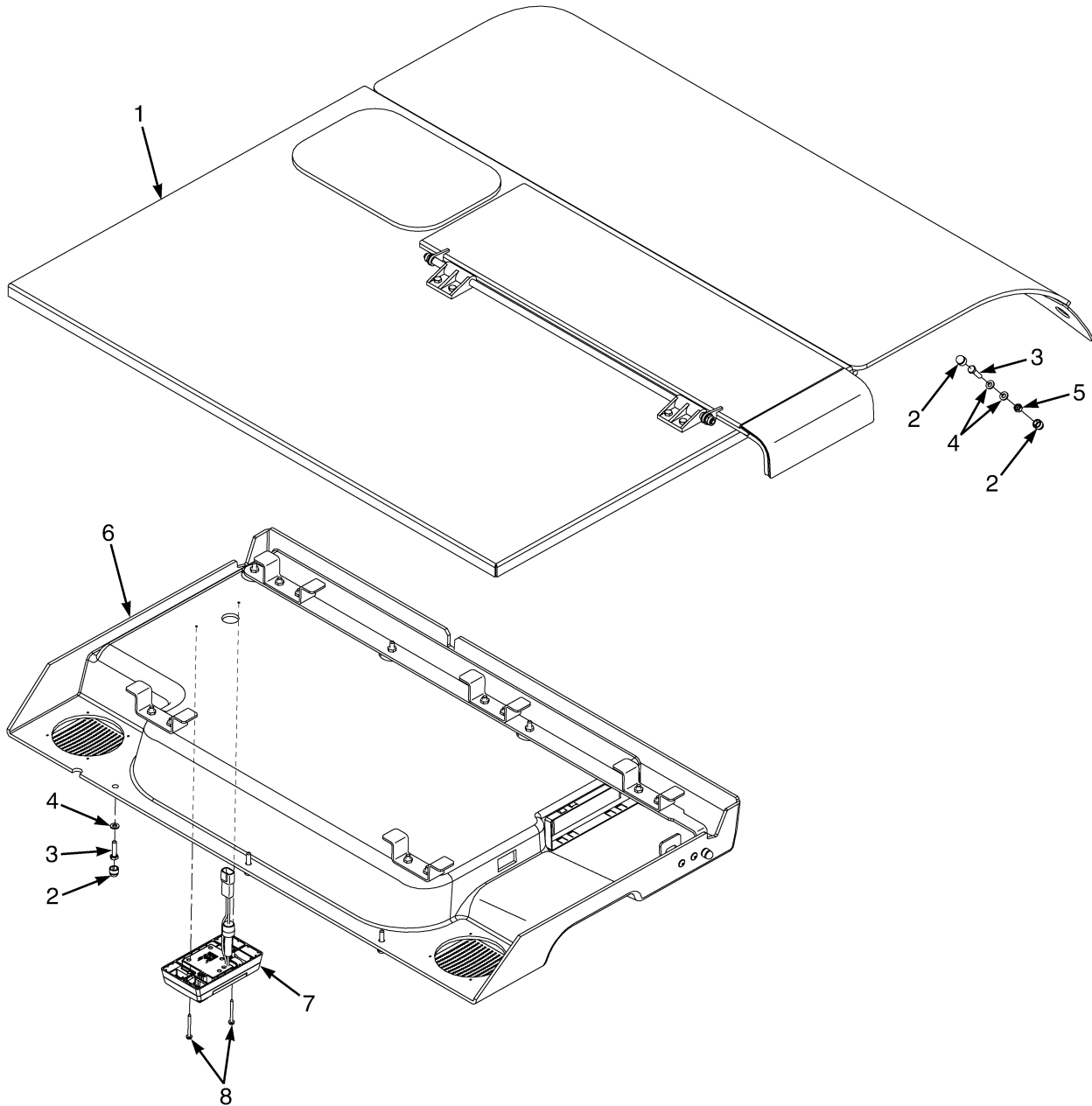
BP200118

**CAB  
HEATER ASSEMBLY**

ITEM	PART NO.	DESCRIPTION	QTY
	2109639		
	4607951	Kit-Cab Heater .....	1
1	4006806	Cable .....	1
2	4006807	Control Panel .....	1
3	4006812	Thermistor .....	1
4	4022979	Heater Element .....	1
5	4022983	Filter .....	1
6	4006815	Filter (EMC) .....	1
7	4022980	Fan .....	1
8	4006813	Thermistor .....	1
9	4022981	Controller .....	1
10	4022982	Filter .....	1
	<b>a</b> 4022984	Fuse .....	1
	<b>a</b> 4022985	Fuse Holder .....	1
	<b>a</b> 4022986	Contact .....	1

**FOOTNOTES:****a** Not Illustrated

## CAB (FIGURE 1-32) TOP PANEL AND ROOF LINER



BP200093

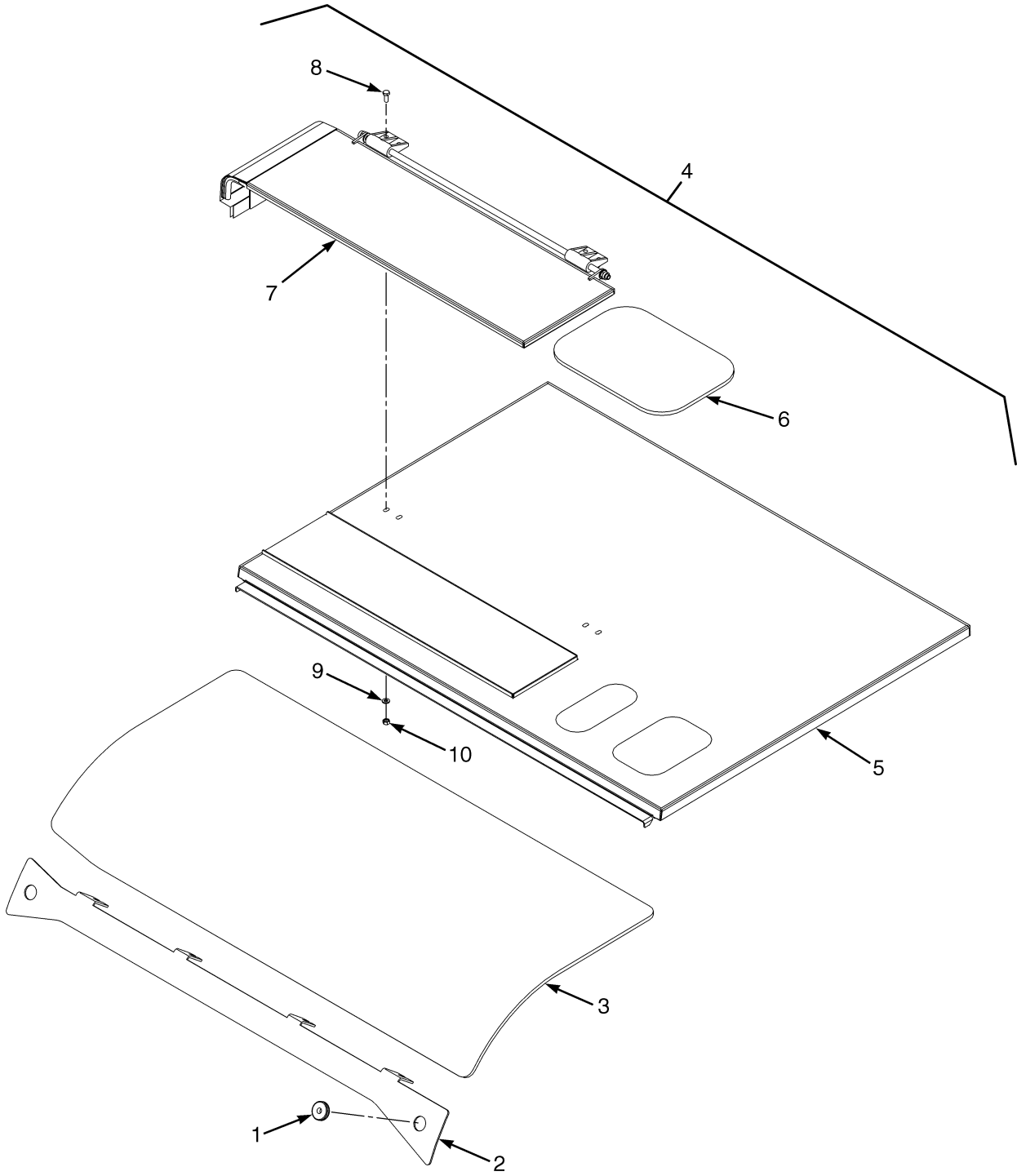


**CAB**  
**TOP PANEL AND ROOF LINER**

ITEM	PART NO.	DESCRIPTION	QTY
1	1661828	Roof Panel .....	1
2	1699334	Cap .....	15
3	287816	Capscrew .....	11
4	320156	Washer .....	15
5	136687	Nut .....	4
6	1691921	Headliner .....	1
7	2111852	Dome Light .....	1
8	1694618	Screw .....	2
	<b>a</b> 1706046	Adhesive .....	1
	<b>a</b> 1706047	Activator .....	AR
	<b>a</b> 1706048	Primer .....	AR

**FOOTNOTES:****a** Not Illustrated

**CAB (FIGURE 1-33)  
TOP PANEL ASSEMBLY**

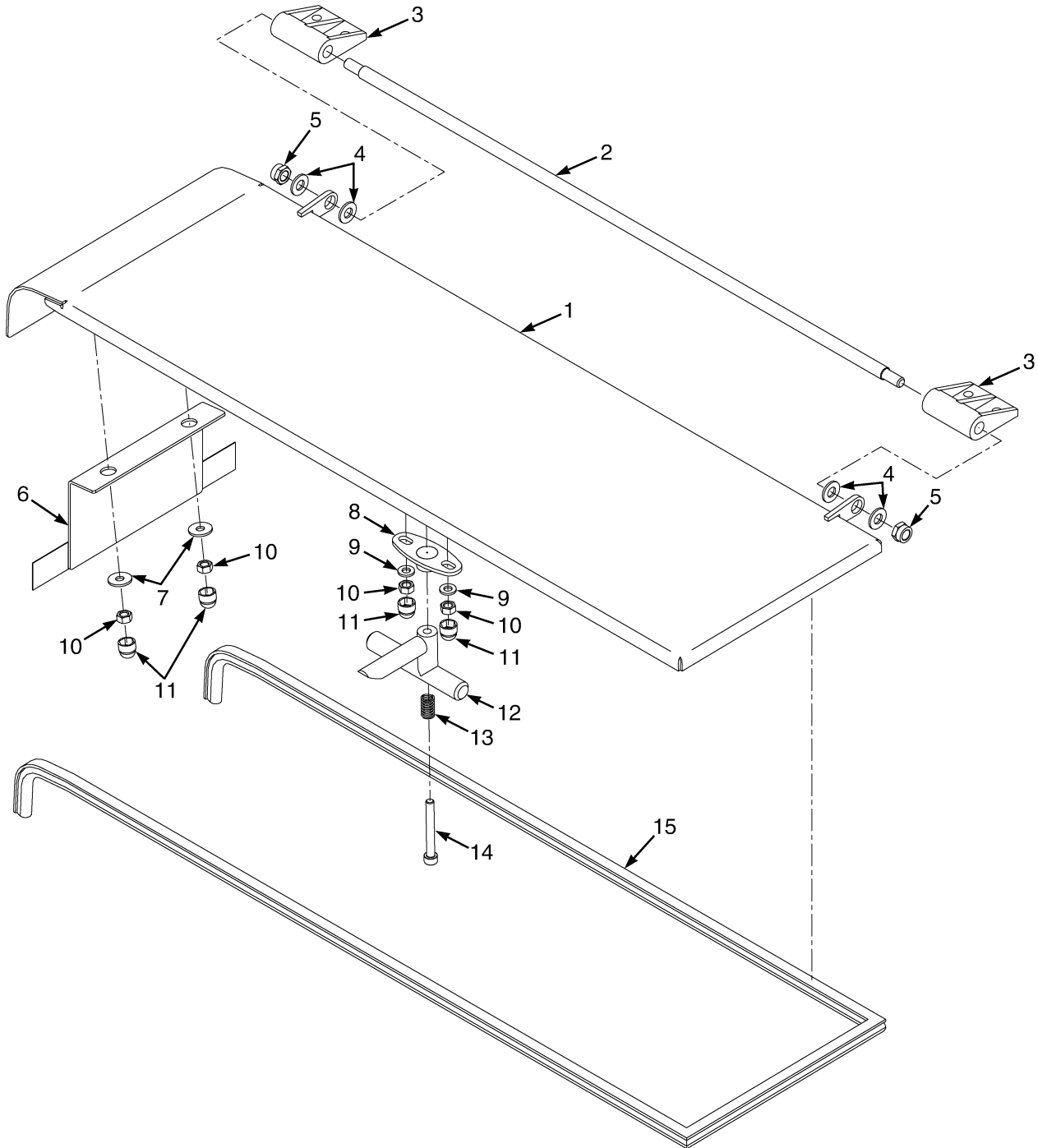


BP120667

**CAB  
TOP PANEL ASSEMBLY**

<b>ITEM</b>	<b>PART NO.</b>	<b>DESCRIPTION</b>	<b>QTY</b>
	1661828	Roof Panel (Assembly) .....	1
1	4010846	Grommet .....	2
2	1661784	Bracket (Front Screen Upper) .....	1
3	4010845	Screen (Front Window) .....	1
4	1675753	Screen (Roof) .....	1
5	4010847	Screen (Roof Panel) .....	1
6	4010849	Screen (Small Glass) .....	1
7	4010848	Roof Panel (Assembly) (☞ Figure 1-34).....	1
8	292500	Capscrew .....	4
9	320156	Washer .....	4
10	136687	Nut .....	4

## CAB (FIGURE 1-34) ROOF PANEL ASSEMBLY



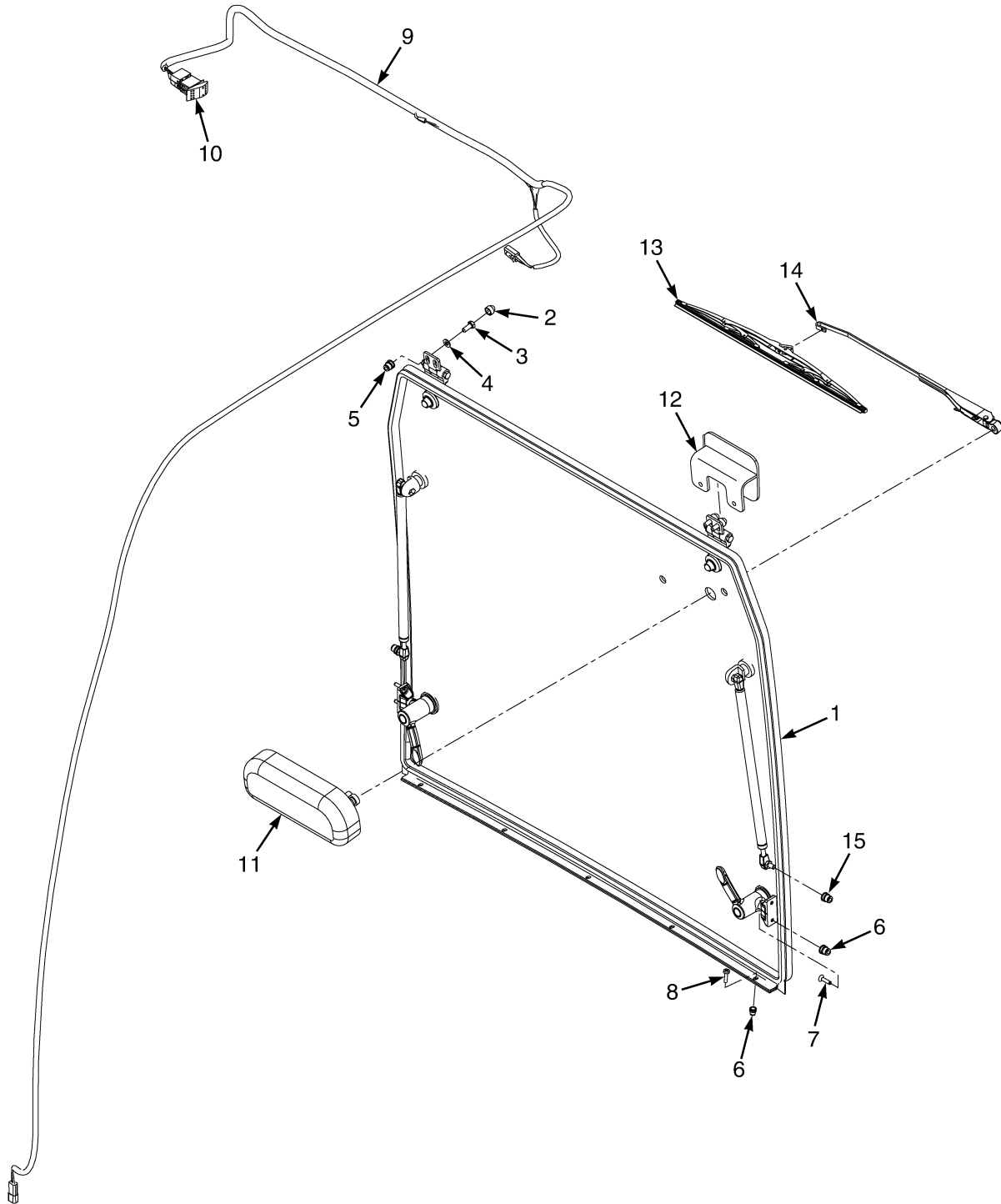
BP120668

**CAB**  
**ROOF PANEL ASSEMBLY**

ITEM	PART NO.	DESCRIPTION	QTY
	4010848	Roof Panel .....	1
1	4010850	Screen .....	1
2	4010851	Pin .....	1
3	4010852	Hinge .....	2
4	320158	Washer .....	3
5	316835	Nut .....	2
6	4010859	Plate .....	1
7	1476421	Washer .....	2
8	4010854	Grip .....	1
9	320156	Washer .....	2
10	136687	Nut .....	4
11	1493397	Cover (Capscrew Head) .....	1
12	4010853	Grip .....	1
13	4010855	Spring .....	1
14	4010856	Screw .....	1
15	4010857	Seal .....	AR
	<b>a</b> 4010858	Plate .....	1

**FOOTNOTES:****a** Not Illustrated

## CAB (FIGURE 1-35) REAR PANEL AND WIPER

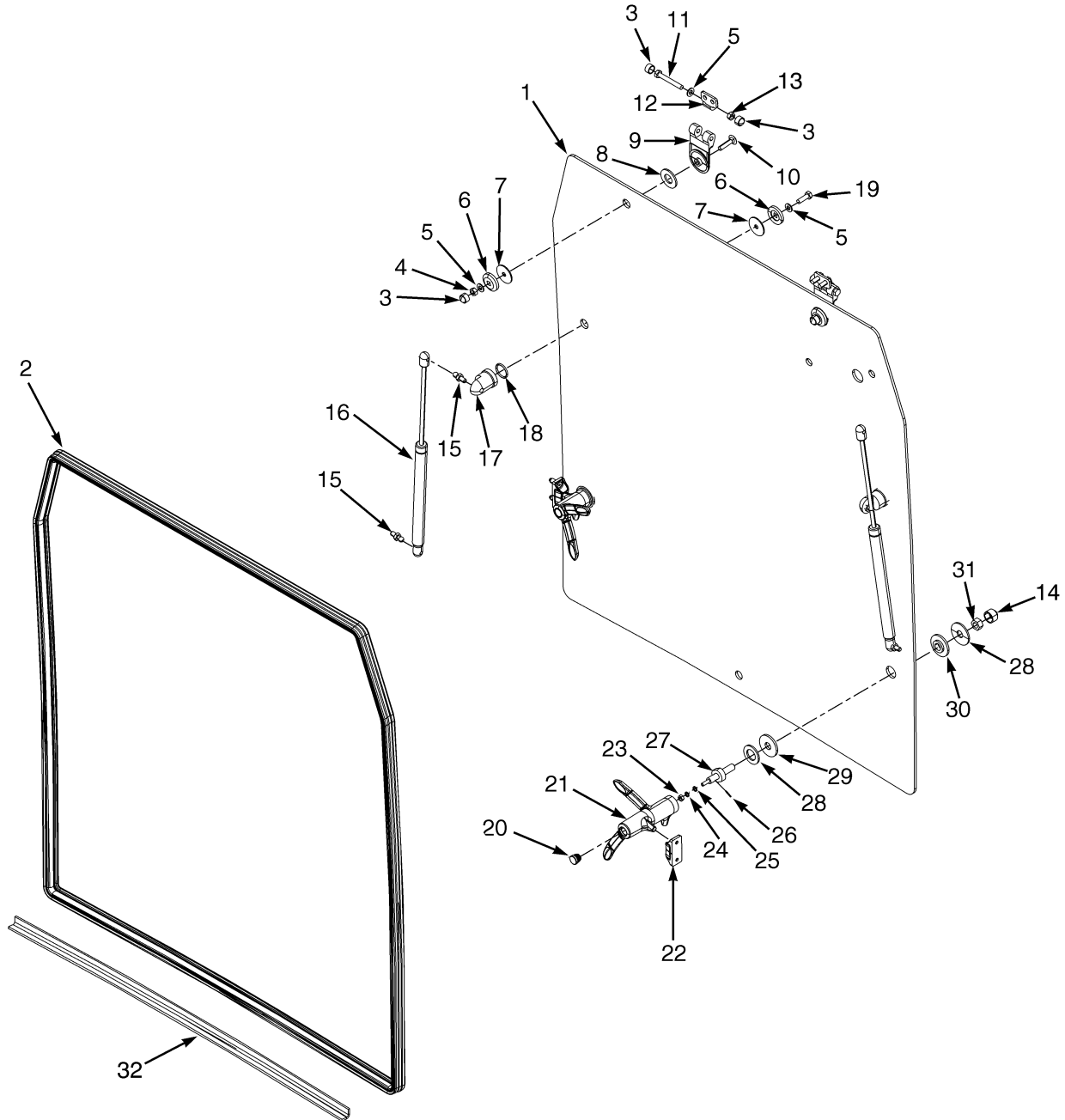


BP200096

**CAB**  
**REAR PANEL AND WIPER**

ITEM	PART NO.	DESCRIPTION	QTY
1	1662170	Kit-Rear Screen (☞ Figure 1-36).....	1
2	1365296	Cap .....	4
3	136681	Capscrew .....	4
4	320157	Washer .....	4
5	1531557	Insert .....	4
6	1531558	Insert .....	9
7	4009408	Screw .....	4
8	296519	Capscrew .....	5
9	2108954	Wire Harness (Rear Wiper) .....	1
10	1699224	Switch .....	1
11	4009406	Wiper Motor .....	1
12	1699447	Bracket .....	1
13	1393506	Wiper Blade .....	1
14	1703770	Wiper Arm .....	1
15	1530243	Insert .....	2

## CAB (FIGURE 1-36) REAR PANEL ASSEMBLY



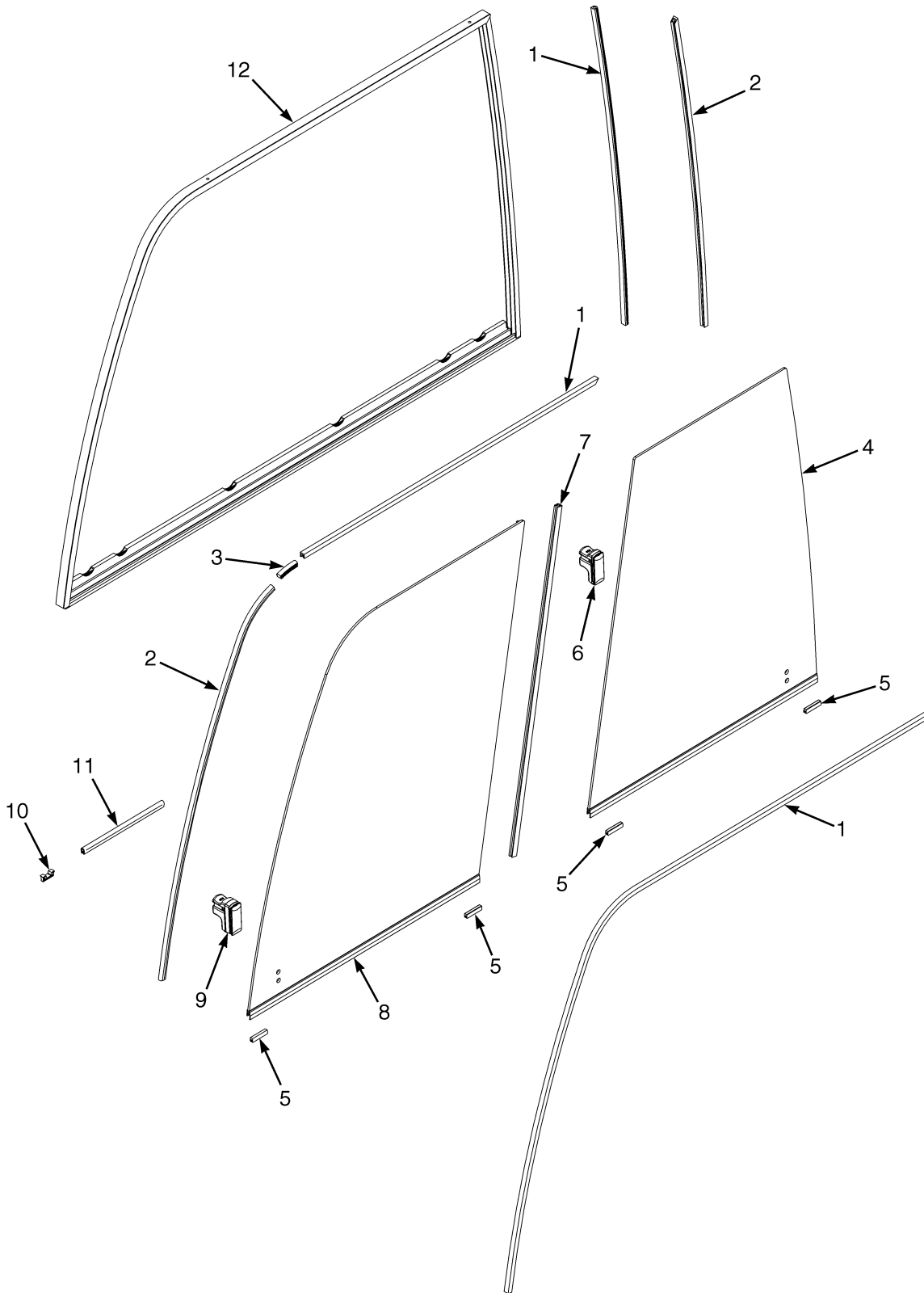
BP120531



**CAB  
REAR PANEL ASSEMBLY**

ITEM	PART NO.	DESCRIPTION	QTY
	1662170	Kit-Rear Screen .....	1
1	4009404	Rear Screen .....	1
2	1491115	Seal .....	AR
3	1476584	Cover (Capscrew Head) .....	4
4	1635003	Plate .....	1
5	320158	Washer .....	8
6	1468315	Washer .....	4
7	1468316	Washer .....	4
8	1703752	Washer .....	2
9	1703751	Hinge .....	2
10	1468314	Screw .....	2
11	1703756	Screw .....	2
12	<del>1703755</del>		
	4009407	Plate .....	2
13	316835	Nut .....	4
14	1493474	Cover (Capscrew Head) .....	2
15	1393472	Ball Stud .....	4
16	1703759	Gas Spring .....	2
17	1703757	Knob .....	2
18	1703758	O-Ring .....	2
19	136749	Screw .....	2
20	1703765	Plug .....	2
21	1703760	Grip .....	2
22	1703769	Latch .....	2
23	316834	Nut .....	2
24	320156	Washer .....	2
25	1703764	Washer .....	2
26	1703771	Plug .....	1
27	1703761	Connector .....	2
28	1703763	Washer .....	4
29	1703762	Washer .....	2
30	1703766	Washer .....	2
31	1703768	Nut .....	2
32	4009405	Bracket .....	1
33	4009408	Screw .....	4

## CAB (FIGURE 1-37) WINDOW — LH DOOR

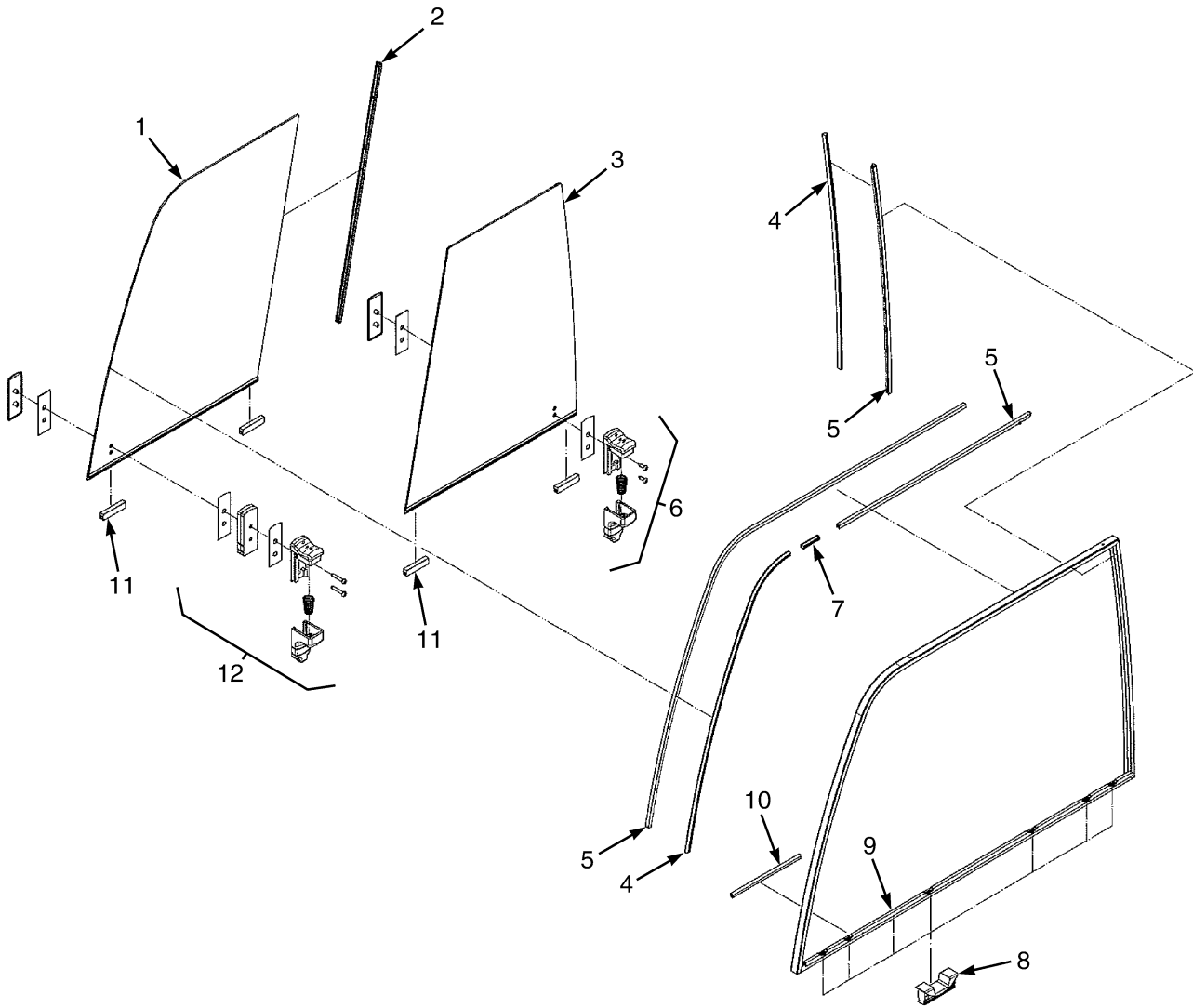


BP200102

**CAB**  
**WINDOW – LH DOOR**

ITEM	PART NO.	DESCRIPTION	QTY
	1695057	Window (LH Door) .....	1
1	1644804	Seal .....	AR
2	4009783	Seal .....	AR
3	1641640	Strip Seal .....	AR
4	4009778	Sliding Window .....	1
5	<del>1644804</del>		
	4009782	Guide .....	4
6	4009780	Latch .....	1
7	4009781	Seal .....	1
8	4009777	Sliding Window .....	1
9	<del>1653969</del>		
	4013559	Latch .....	1
9	<del>1653969</del>		
	4013559	Latch (Alternate Part) .....	1
10	4009779	Clip .....	6
11	1498336	Edge Protector .....	1
12	4009776	Window Frame .....	1

## CAB (FIGURE 1-38) WINDOW — RH DOOR

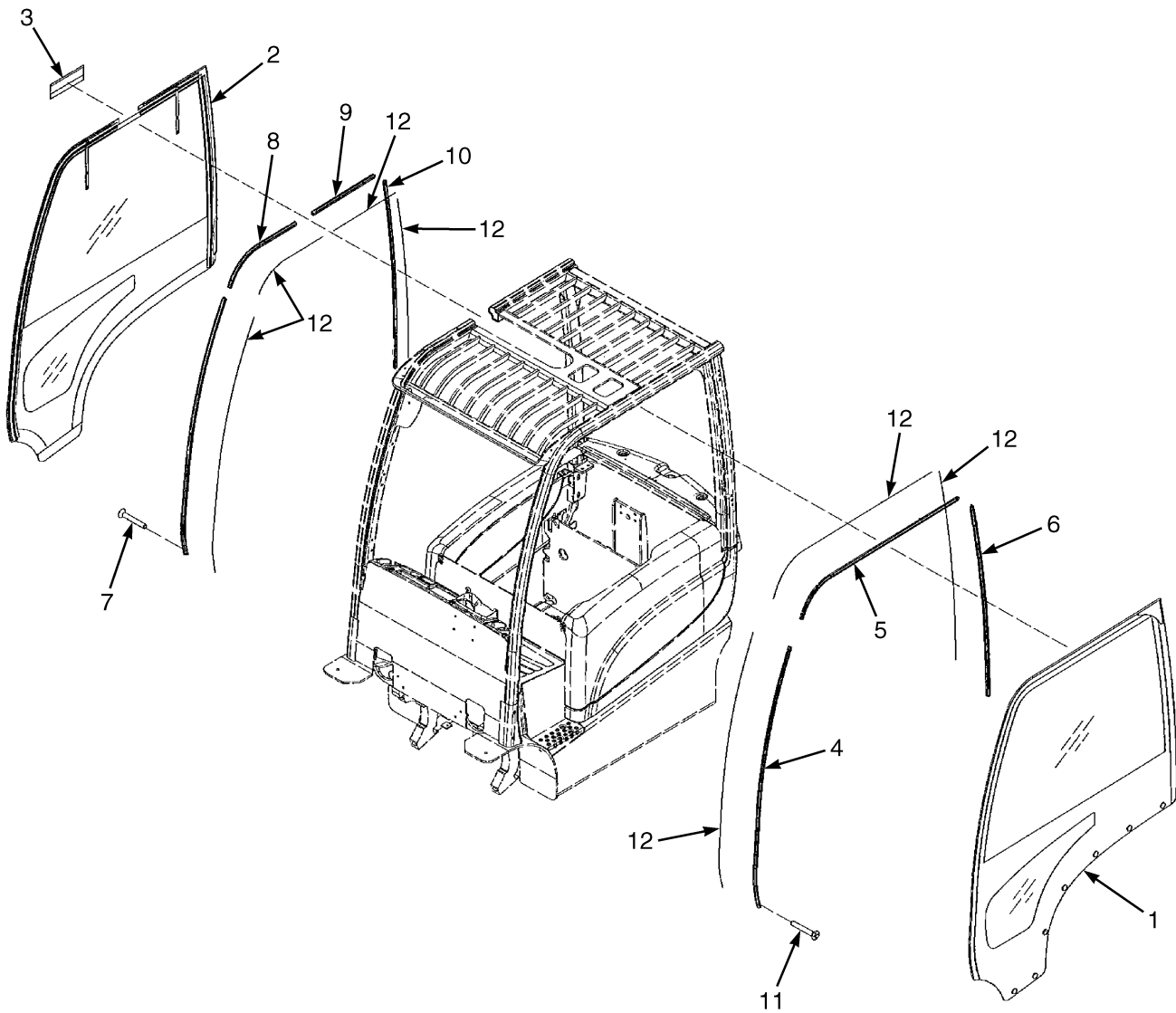


BP120706

**CAB**  
**WINDOW – RH DOOR**

ITEM	PART NO.	DESCRIPTION	QTY
	1695070	Window .....	1
1	4013611	Sliding Window .....	1
2	4009781	Seal .....	1
3	4013612	Sliding Window .....	1
4	4009783	Seal .....	AR
5	1644804	Seal .....	AR
6	4009780	Latch .....	1
7	1641640	Strip Seal .....	1
8	4009779	Clip .....	6
9	4013610	Window Frame .....	1
10	1498336	Edge Protector .....	AR
11	<del>1644804</del>		
	4009782	Guide .....	4
12	<del>1653969</del>		
	4013559	Latch (Mounted from Inside) .....	1
12	4013558	Latch (Mounted from Outside) .....	1

## PVC DOOR KIT (FIGURE 1-39)

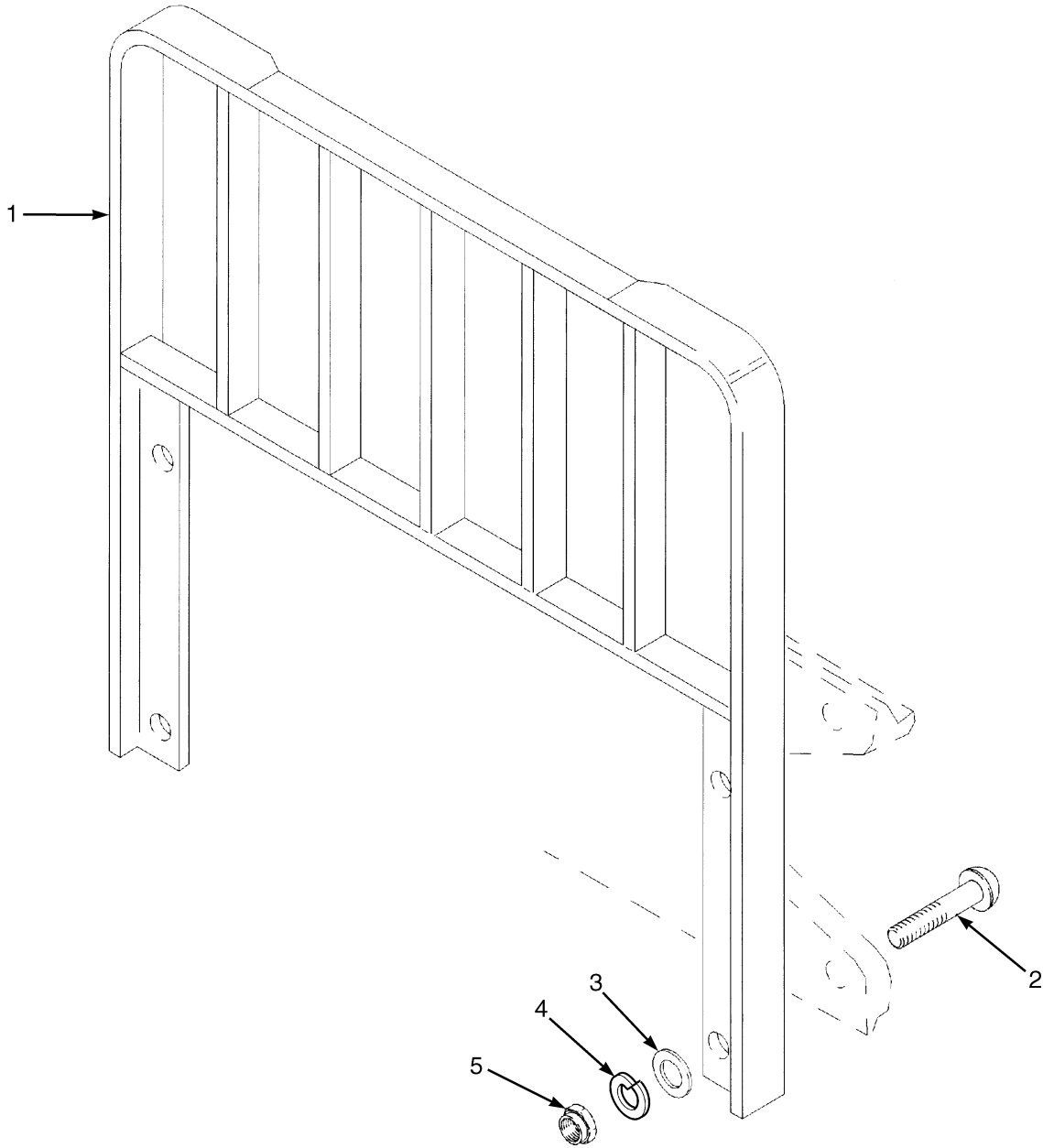


BP000732

**PVC DOOR KIT****KEY:****A: Vertical Battery****B: Horizontal Battery**

ITEM	PART NO.	DESCRIPTION	QTY	
			A	B
	2109636	Door Pvc (Kit) .....	1	..
	2109637	Door Pvc (Kit) .....	..	1
1	4043405	Door (LH) .....	1	..
1	4043407	Door (LH) .....	..	1
2	4043406	Door (RH) .....	1	..
2	4043408	Door (RH) .....	..	1
3	4001968	Plate (Top RH) .....	1	1
4	4043409	Seal (LH Front) .....	1	..
4	4043416	Seal (LH Front) .....	..	1
5	4043410	Seal (LH Top) .....	1	1
6	4043411	Seal (LH Rear) .....	1	..
6	4043417	Seal (LH Rear) .....	..	1
7	4043412	Seal (RH Front) .....	1	..
7	4043418	Seal (RH Rear) .....	..	1
8	4043413	Seal (RH Top Front) .....	1	1
9	4043414	Seal (RH Top Rear) .....	1	1
10	4043415	Seal (RH Rear) .....	1	..
10	4043419	Seal (RH Rear) .....	..	1
11	4001976	Screw .....	20	20
12	4001977	Tape .....	AR	AR

## LOAD BACKREST EXTENSION (FIGURE 1-40)



HP120836



**LOAD BACKREST EXTENSION**

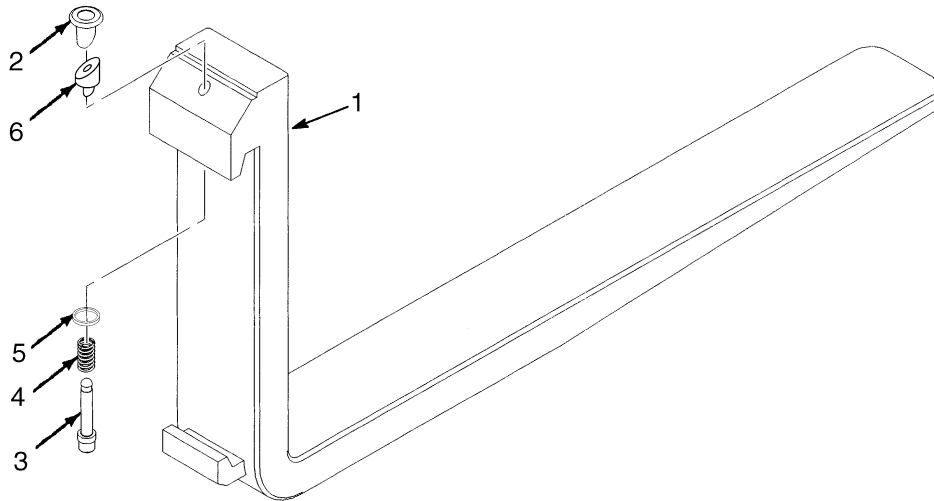
**KEY:**

**A: For Use With Standard Carriage Only**

**B: For Use With Integral Side-Shift Carriage Only**

ITEM	PART NO.	DESCRIPTION	QTY	
			A	B
1	1663460	Load Backrest (1067 mm) (Class III) .....	1	1
1	1663443	Load Backrest (1067 mm) (Class II) .....	1	1
2	1343990	Capscrew .....	4	4
2	2034347	Capscrew .....	..	4
3	296423	Washer .....	4	4
4	221771	Washer .....	4	4
5	300937	Nut .....	4	4

## FORKS (FIGURE 1-41)



BP290003

**KEY:**

**A: Class II (100 mm x 40 mm)**

**B: Class III (100 mm x 45 mm)**

ITEM	PART NO.	DESCRIPTION	QTY	
			A	B
1	1333043	Fork (1000 mm) .....	2	..
1	1333044	Fork (1100 mm) .....	2	..
1	1333045	Fork (1200 mm) .....	2	..
1	1352366	Fork (1000 mm) .....	..	2
1	1352367	Fork (1100 mm) .....	..	2
1	1352369	Fork (1200 mm) .....	..	2
2	1523732	Knob .....	1	1
3	1523733	Pin .....	1	..
3	1523737	Pin .....	..	1
4	1500782	Spring .....	1	..
4	1500784	Spring .....	..	1
5	a 1477166	Washer .....	1	1
6	a 1477167	Wedge Band .....	1	..
6	1477237	Wedge Band .....	..	1
	1523734	Pin (Not Illustrated) .....	1	1
	1523735	Kit-Latch .....	2	..
	1523739	Kit-Latch (Class III) .....	..	2

**FOOTNOTES:**

a Refer to Latch Kit Installation Instructions

**2**

**ELECTRICAL SYSTEM**



**SECTION 2  
ELECTRICAL SYSTEM**

<b>DESCRIPTION</b>	<b>PAGE</b>
AUXILIARY PLUG AND WIRE HARNESS .....	2-41
BATTERY CONNECTOR AND CABLE ASSEMBLY	
WITH RAPID CHARGE OPTION .....	2-40
WITHOUT RAPID CHARGE OPTION .....	2-38
CONTACTOR .....	2-20
CONTACTOR ASSEMBLY .....	2-18
CONTROL PANEL	
PUMP (→ S/N A276B03242K (LONG WHEEL BASE)) (→ S/N A276B03248K (SHORT WHEEL BASE))	
.....	2-22
PUMP - WITH INTEGRATED HEATSINK (S/N A276B03243K → (LONG WHEEL BASE))	
(S/N A276B03249K → (SHORT WHEEL BASE)) .....	2-24
TRACTION MOTOR (→ S/N A276B03242K (LONG WHEEL BASE))	
(→ S/N A276B03248K (SHORT WHEEL BASE)) .....	2-26
TRACTION MOTOR - WITH INTEGRATED HEATSINK (S/N A276B03243K → (LONG WHEEL BASE))	
(S/N A276B03249K → (SHORT WHEEL BASE)) .....	2-28
CONTROL PANELS .....	2-16
DISPLAY .....	2-6
ELECTRICAL ARRANGEMENT .....	2-4
LIGHTS	
STOP, TAIL, TURN, BACK-UP, AND STROBE - WITH OVERHEAD GUARD .....	2-8
MINI-LEVER CONTROLS	
3 FUNCTION .....	2-42
4 FUNCTION .....	2-44
POWER CABLES	
→ S/N A276B03242K (LONG WHEEL BASE) → S/N A276B03248K (SHORT WHEEL BASE) .....	2-30
WITH INTEGRATED HEATSINK (S/N A276B03243K → (LONG WHEEL BASE))	
(S/N A276B03249K → (SHORT WHEEL BASE)) .....	2-34
TILT SENSOR GROUP .....	2-47
TURN SIGNAL .....	2-12
TURN SIGNAL SWITCH AND WIRE HARNESS .....	2-14
WIRE HARNESS	
BACK-UP ALARM STROBE - WITHOUT CONVERTER .....	2-104
DISPLAY - FREEZER .....	2-48
EMERGENCY DISCONNECT .....	2-86
FAN ADAPTOR .....	2-115
FAN ADAPTOR - ALTERNATE PART .....	2-118
FRONT WIPER .....	2-106
HEATER - 80V .....	2-112
LIGHTS WITH OVERHEAD GUARD - RIGHT HAND .....	2-93
LIGHTS WITH OVERHEAD GUARD - LEFT HAND WITHOUT TURN SIGNALS .....	2-94
LIGHTS WITH OVERHEAD GUARD - LEFT HAND, WITH TURN SIGNAL .....	2-96
LIGHTS WITH OVERHEAD GUARD - LEFT HAND FRONT SWITCH .....	2-100
MAIN LIGHTS CHASSIS (→ S/N A276B03242K (LONG WHEEL BASE))	
(→ S/N A276B03248K (SHORT WHEEL BASE)) .....	2-87
MAIN LIGHTS CHASSIS (S/N A276B03243K → (LONG WHEEL BASE))	
(S/N A276B03249K → (SHORT WHEEL BASE)) .....	2-90
MAIN WITH ELECTRONIC HYDRAULICS - SHEET 1 OF	
2 (→ S/N A276B03242K (LONG WHEEL BASE)) (→ S/N A276B03248K (SHORT WHEEL BASE)) .....	2-58

**SECTION 2  
ELECTRICAL SYSTEM**

<b>DESCRIPTION</b>	<b>PAGE</b>
MAIN WITH ELECTRONIC HYDRAULICS - SHEET 2 OF 2 (→ S/N A276B03242K (LONG WHEEL BASE)) (→ S/N A276B03248K (SHORT WHEEL BASE)) .....	2-62
MAIN WITH ELECTRONIC HYDRAULICS - SHEET 1 OF 2 (S/N A276B03243K → (LONG WHEEL BASE)) (S/N A276B03249K → (SHORT WHEEL BASE)) .....	2-66
MAIN WITH ELECTRONIC HYDRAULICS - SHEET 2 OF 2 (S/N A276B03243K → (LONG WHEEL BASE)) (S/N A276B03249K → (SHORT WHEEL BASE)) .....	2-72
MAIN WITH MANUAL HYDRAULICS - SHEET 1 OF 2 (→ S/N A276B03242K (LONG WHEEL BASE)) (→ S/N A276B03248K (SHORT WHEEL BASE)) .....	2-50
MAIN WITH MANUAL HYDRAULICS - SHEET 2 OF 2 (→ S/N A276B03242K (LONG WHEEL BASE)) (→ S/N A276B03248K (SHORT WHEEL BASE)) .....	2-54
MAIN WITH MANUAL HYDRAULICS - SHEET 1 OF 2 (S/N A276B03243K → (LONG WHEEL BASE)) (S/N A276B03249K → (SHORT WHEEL BASE)) .....	2-76
MAIN WITH MANUAL HYDRAULICS - SHEET 2 OF 2 (S/N A276B03243K → (LONG WHEEL BASE)) (S/N A276B03249K → (SHORT WHEEL BASE)) .....	2-82
MANUAL INTERLOCK .....	2-114
REAR WIPER .....	2-105
SEAT - MANUAL HYDRAULICS .....	2-101
SEAT - E-HYDRAULIC .....	2-102
STEERING COLUMN .....	2-108
SYNCHRONOUS STEERING .....	2-110
TURN SIGNAL .....	2-111
WIRE HARNESS (LIGHTS) WITH OVERHEAD GUARD AND TURN SIGNALS - WITH DROP-DOWN BATTERY BOX .....	2-98

**NOTES**

---

---

---

---

---

---

---

---

---

---

---

---

---

---

---

---

---

---

---

---

---

---

---

---

---

---

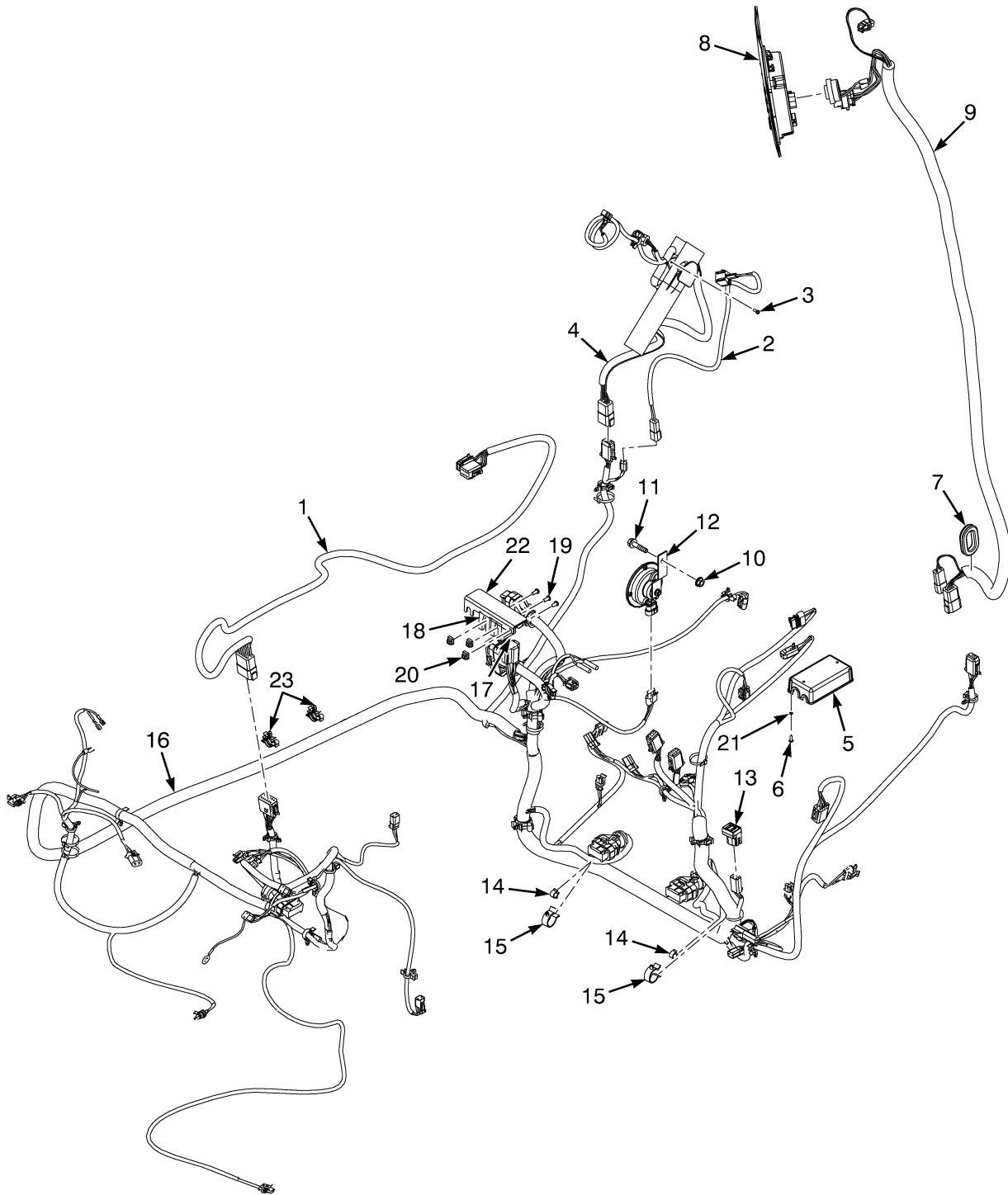
---

---

---

---

## ELECTRICAL ARRANGEMENT (FIGURE 2-1)



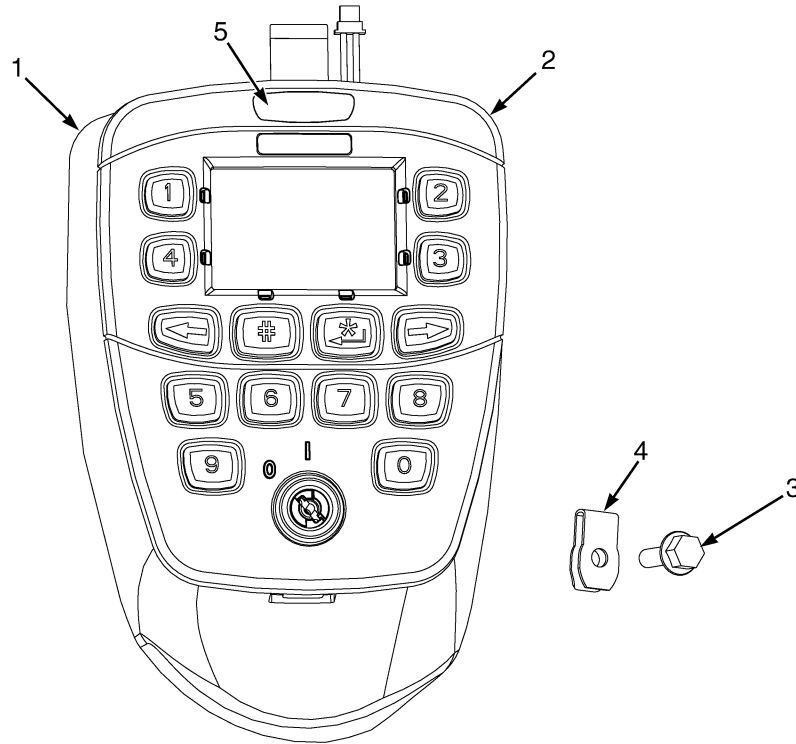
BP080851



**ELECTRICAL ARRANGEMENT****KEY:****A: With Manual Hydraulics****B: With Electro-Hydraulics**

ITEM	PART NO.	DESCRIPTION	QTY	
			A	B
1	2104097	Wire Harness (Seat) (☞Figure 2-38).....	1	..
1	2104030	Wire Harness (Seat) .....	..	1
2	4604283	Wire Harness (Synchronous Steering) (☞Figure 2-44).....	1	1
3	1554902	Screw .....	2	2
4	2108591	Wire Harness (Steering Column) (☞Figure 2-43).....	1	1
5	2107969	Cover (Seat Side Electrical) .....	1	1
6	1694830	Capscrew .....	2	2
7	1654142	Grommet .....	1	1
8	2094578	Display .....	1	1
8	1677333	Ignition Switch .....	1	1
9	2103359	Wire Harness (Standard) (☞Figure 2-33).....	1	1
10	<del>1382472</del>			
	1502543	Nut (Flange) .....	1	1
11	1510113	Capscrew .....	1	1
12	2105929	Horn .....	1	1
13	4604553	Connector .....	1	1
14	1502066	Clamp .....	2	2
15	1502054	Clamp .....	2	2
16	2111717	Wire Harness (Main) (☞Figure 2-22, ☞Figure 2-23).....	1	..
16	2111718	Wire Harness (Main) (☞Figure 2-24, ☞Figure 2-25).....	..	1
17	4603514	Relay .....	1	1
17	4609161	Relay (Mini Power) (Alternate Part) .....	1	1
18	2100367	Relay (Hydraulic Enable) .....	..	2
19	296153	Capscrew .....	2	3
20	4019192	Clip .....	3	4
21	296354	Washer .....	2	2
22	4002533	Bracket .....	1	1
22	<del>4024970</del>			
	4030459	Bracket (Alternate Part) .....	1	1
23	1402624	Clip .....	3	3
24	1337197	Key Set .....	1	1

## DISPLAY (FIGURE 2-2)

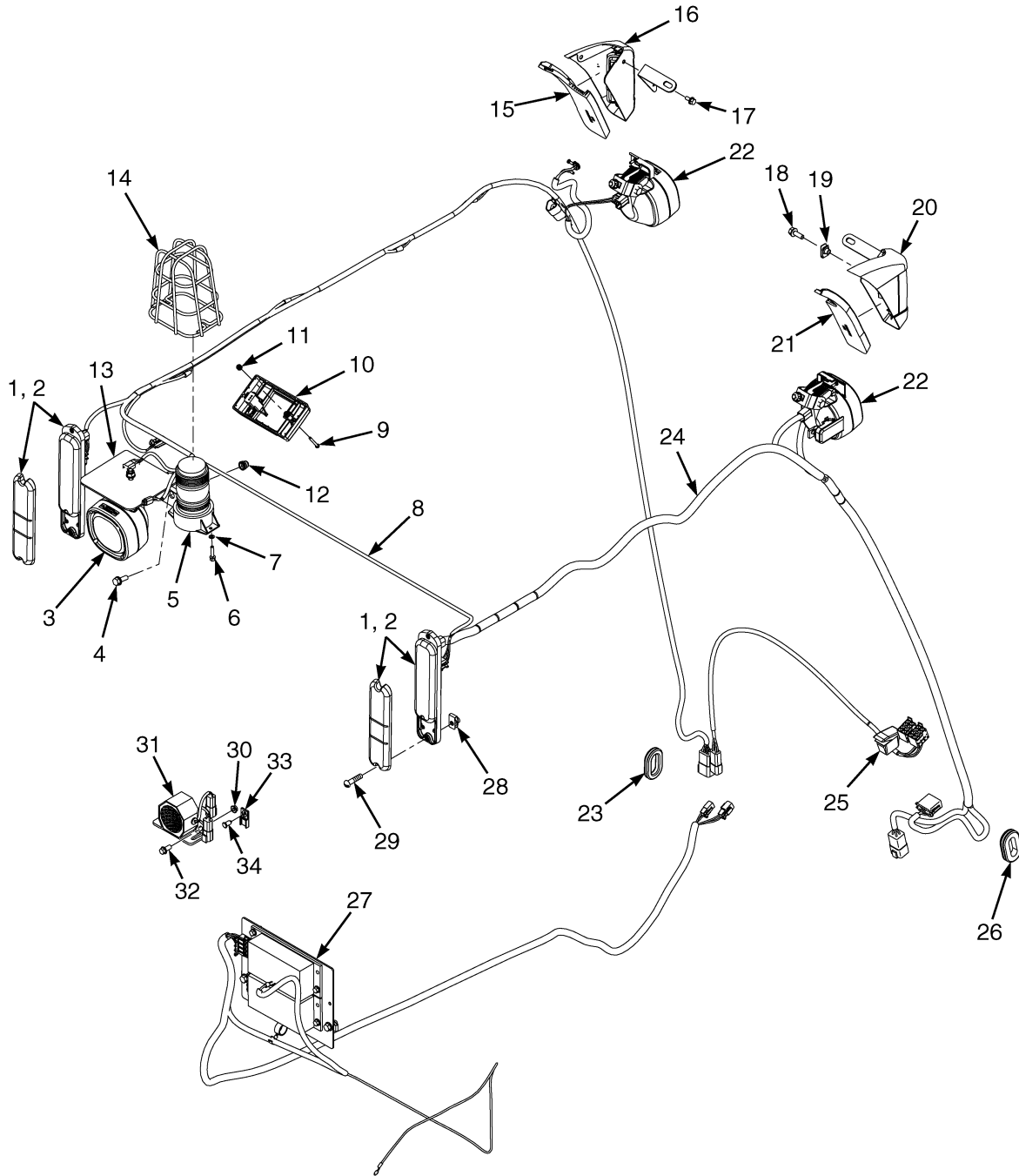


BP080712

ITEM	PART NO.	DESCRIPTION	QTY
1	2094578	Display (Standard) .....	1
1	2094579	Display (Freezer) .....	1
2	2104679	Cover .....	1
3	1527877	Capscrew .....	2
4	1566420	Nut .....	2
5	1693738	Label .....	1
	1337197	Key Set .....	1
	1687435	Knob (Keyless Start) .....	1



## LIGHTS (FIGURE 2-3) STOP, TAIL, TURN, BACK-UP, AND STROBE — WITH OVERHEAD GUARD



BP080910

## LIGHTS

### STOP, TAIL, TURN, BACK-UP, AND STROBE – WITH OVERHEAD GUARD

ITEM	PART NO.	DESCRIPTION	QTY
1	4602052	Light (Tail) (LED) .....	2
1	<b>a</b> . . . . .	Tail Light Base (☞Figure 1-6).....	2
2	2056826	Reflector (Tail) .....	2
3	2098968	Worklight (Rear) (Halogen) .....	1
3	1382304	Switch (Rear Work Light 12V) .....	1
3	2107382	Head/Work Light (Rear) (LED) .....	1
3	1382304	Switch (Rear Work Light 12V) .....	1
4	1672692	Screw .....	2
5	1654013	Strobe Light Assembly (LED) .....	1
5	1652290	Strobe Light (Amber LED) .....	1
6	1586759	Capscrew .....	4
7	1586428	Nut .....	2
8	4603732	Wire Harness (Front Switch) (☞Figure 2-37).....	1
9	302027	Screw .....	2
10	2111852	Dome Light .....	1
11	1683346	Insert .....	1
12	1531557	Insert .....	2
13	1659602	Bracket (Strobe Light) .....	1
13	1664407	Bracket (Rear Work Light) .....	1
14	1302024	Guard (Strobe Light) .....	1
15	2107970	Trim (LH) .....	1
16	4601397	Light (LH Front Marker/Turn Signal) .....	1
17	<b>b</b> 1693371	Capscrew .....	2
17	<b>c</b> 1665758	Capscrew .....	2
18	1583611	Capscrew .....	2
19	1480237	Nut .....	2
20	4601396	Light (RH Front Marker/Turn Signal) .....	1
21	2107971	Trim (RH) .....	1
22	2098969	Worklight (Front RH) (Glass Lens) (Halogen) .....	1
22	2107383	Head/Work Light (RH Front) (LED) .....	1
22	2098970	Worklight (Front LH) (Glass Lens)(Halogen) .....	1
22	2107384	Head/Work Light (LH Front) (LED) .....	1
22	1662409	Bulb (Clear) (55 W 1450 lm) .....	1
23	1654142	Grommet (Without Turn Signals) .....	1
23	1654142	Grommet (With Turn Signals) .....	2
24	2103540	Wire Harness (Lights With OHG, Without Turn Signals) (☞Figure 2-34).....	1
24	4607262	Wire Harness (Lights With OHG and Turn Signals) (Lights With Overhead Guard and Turn Signals) (☞Figure 2-36).....	1
25	1382302	Switch (Lights - High Beam) .....	1
26	1539584	Grommet .....	2
27	. . . . .	DC-DC Converter (☞Figure 10-2).....	1
28	1537551	Nut (Clip) .....	1
29	1672692	Screw .....	4
30	<del>1307884</del>		
	1514429	Nut .....	2
31	2064929	Back-Up Alarm (82-102 dbA) .....	1
32	1527876	Capscrew .....	2
33	1500912	Clip .....	1
34	1582464	Fastener .....	1

**FOOTNOTES:**

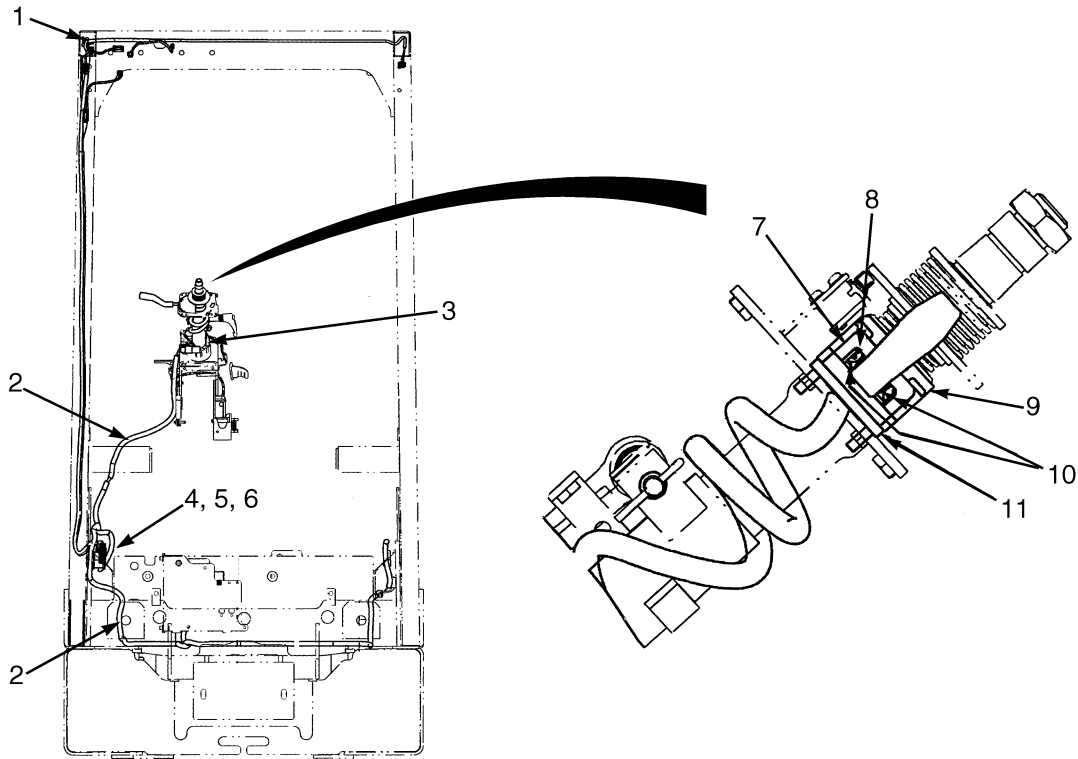
**a** See Floorplates and Covers.

**b** → PENDING PER ECN 13416125

**c** PENDING PER ECN 13416125 →



## TURN SIGNAL (FIGURE 2-4)



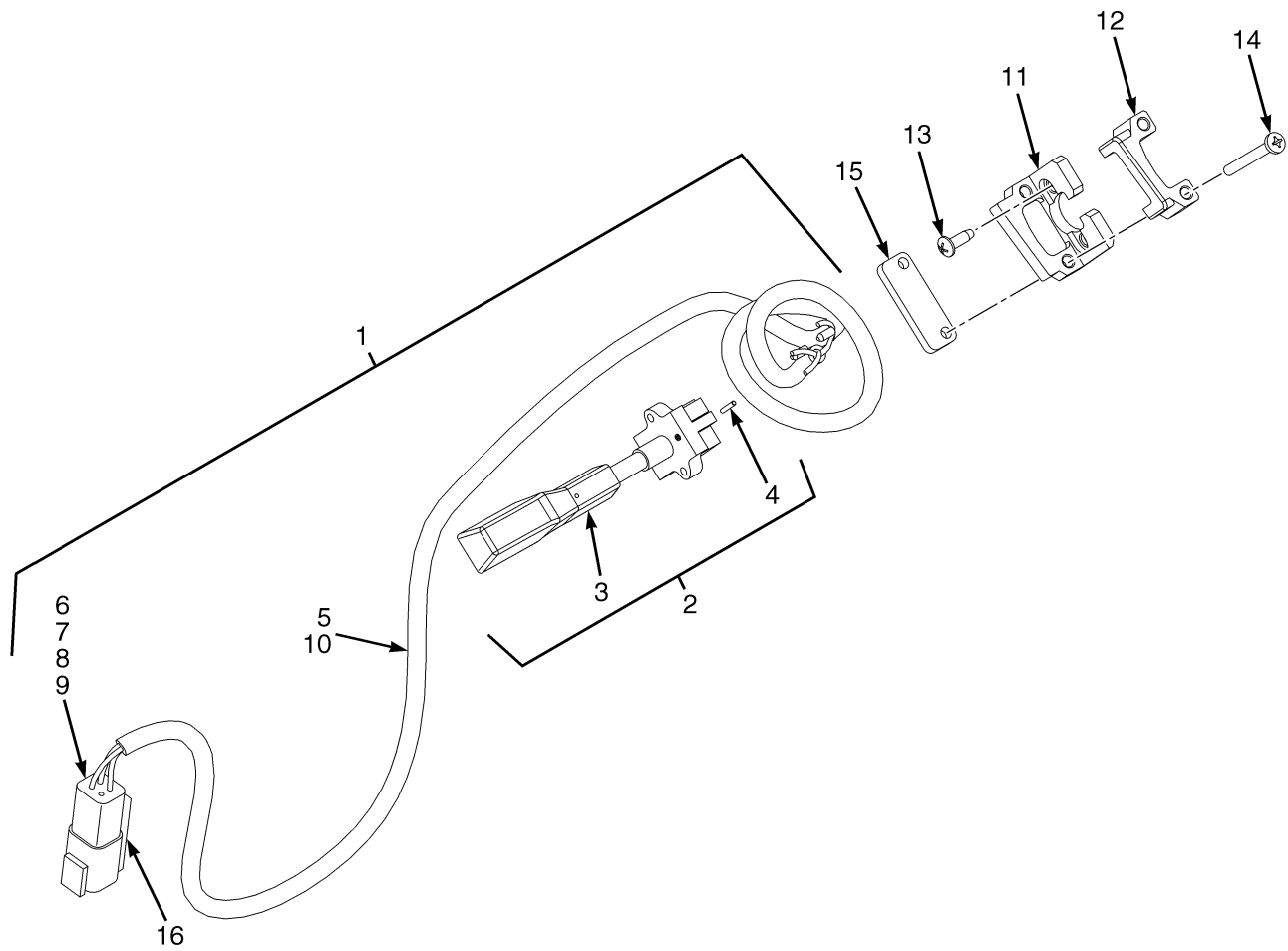
BP080743



**TURN SIGNAL**

<b>ITEM</b>	<b>PART NO.</b>	<b>DESCRIPTION</b>	<b>QTY</b>
1	2108243	Wire Harness (Left Hand OHG with Turn Signals) (☞Figure 2-35).....	1
2	4608986	Wire Harness (Turn Signal) (☞Figure 2-45).....	1
3	2111180	Switch Assembly (☞Figure 2-5).....	1
4	1694442	Flasher .....	1
5	4019192	Clip .....	1
6	296153	Capscrew .....	1
7	1702593	Bracket (Guide) .....	1
8	302027	Screw (Telscoping) .....	2
8	302026	Screw (Non-Telscoping) .....	2
9	1702594	Bracket (Turn Signal) .....	1
10	227147	Self Tapping Screw .....	2
11	1702595	Spacer (Turn Signal) (Telscoping) .....	1

## TURN SIGNAL SWITCH AND WIRE HARNESS (FIGURE 2-5)



BP080845

**TURN SIGNAL SWITCH AND WIRE HARNESS**

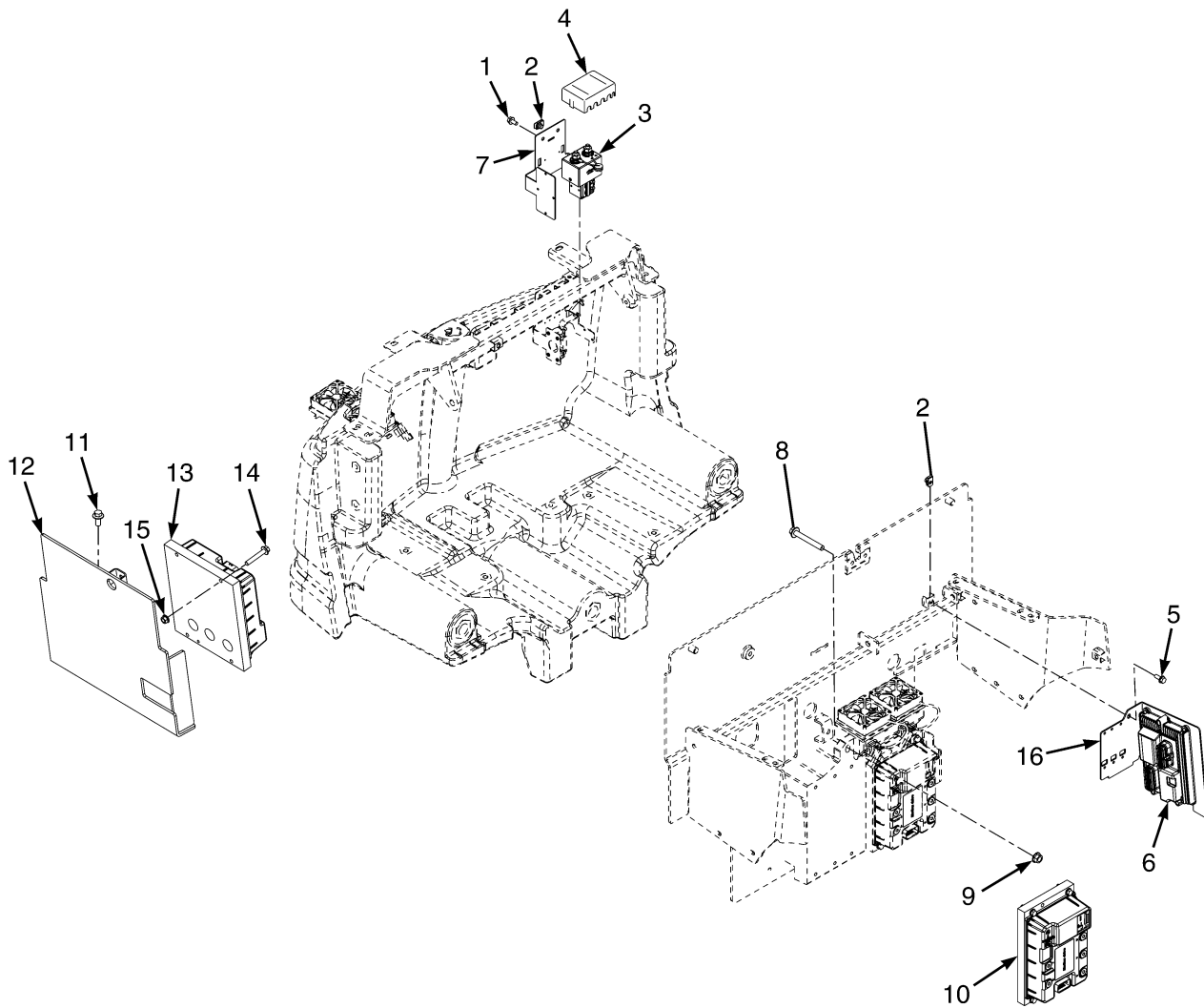
ITEM	PART NO.	DESCRIPTION	QTY
1	2111180	Switch Assembly (Turn Signal) .....	1
2	1705202	Switch (Assembly) .....	1
3	1704652	Switch .....	1
4	221904	Roll Pin .....	1
5	2095405	Wire Harness (Turn Signal) .....	1
6	1463184	Connector .....	1
7	1463193	Connector (Secondary Lock) .....	1
8	1463138	Terminal Pin .....	1
9	1484377	Plug .....	1
10	275493	Conduit .....	1
11	1702594	Bracket (Turn Signal) .....	1
12	1702593	Bracket (Guide) .....	1
13	227147	Self Tapping Screw .....	2
14	<b>b</b> 302026	Screw .....	2
14	<b>c</b> 302027	Screw .....	2
15	<b>c</b> 1702595	Spacer (Turn Signal) .....	1
16	1500912	Clip .....	1
	<b>a</b> 222029	Rivet .....	1

**FOOTNOTES:**

- a** Not Illustrated
- b** With Fixed Column

- c** With Telescopic Column

## CONTROL PANELS (FIGURE 2-6)

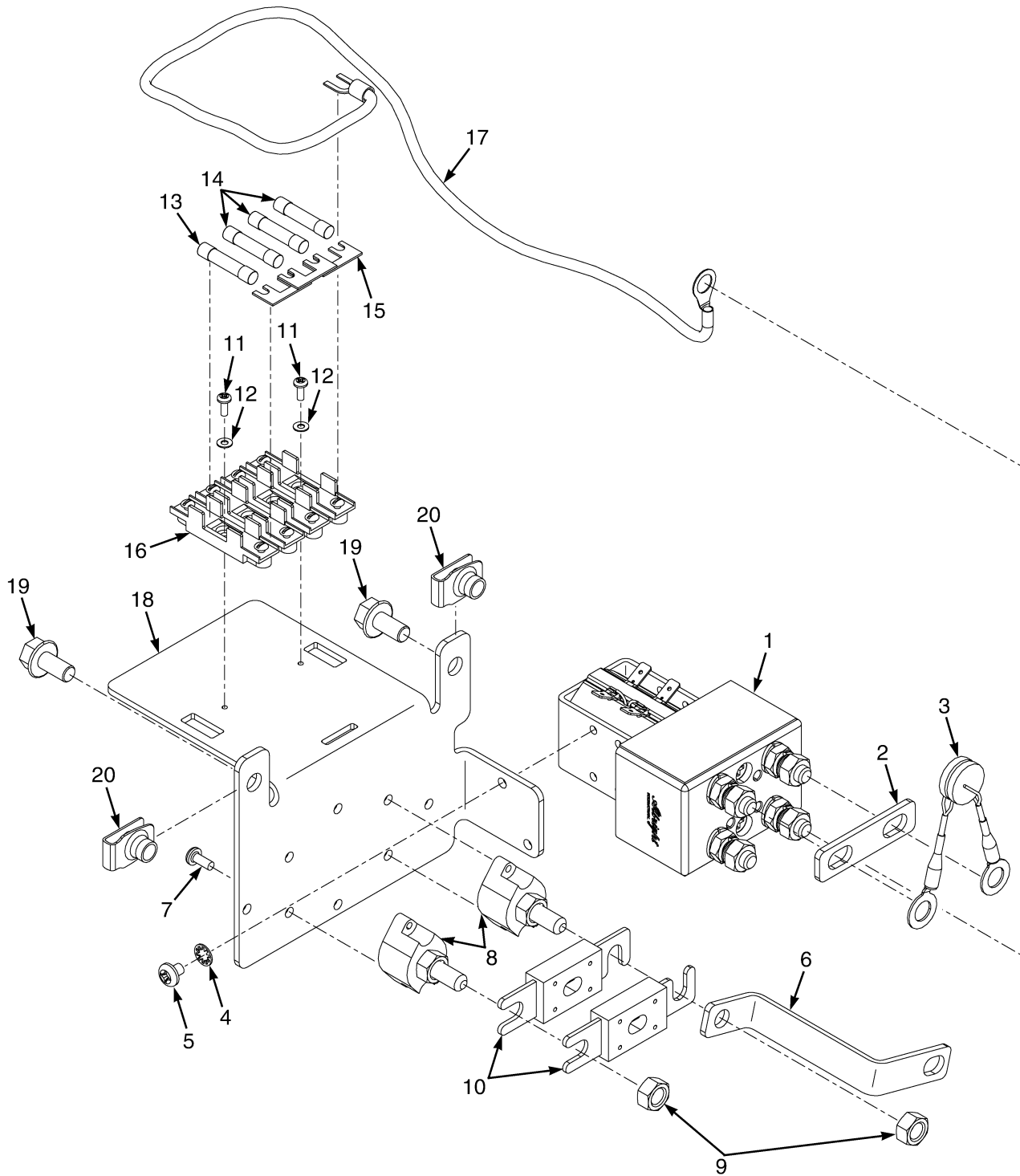


BP080234

**CONTROL PANELS**

ITEM	PART NO.	DESCRIPTION	QTY
1	1527879	Capscrew .....	2
2	1480237	Nut .....	3
3	4600271	Contactor (☞Figure 2-7).....	1
4	2105360	Cover .....	1
5	1527880	Capscrew .....	3
6	2091228	Master Controller (VSM) (Manual Hydraulic) .....	1
6	2091150	Master Controller (VSM) (Electro-Hydraulic) .....	1
7	4000090	Bracket .....	1
8	1652858	Capscrew .....	1
9	<del>1370949</del> 1528888	Nut (Shoulder) .....	1
10	.....	Control Panel (Traction Motor) (☞Figure 2-11, ☞Figure 2-12).....	1
11	1690977	Bolt .....	3
12	1682875	Mounting Weldment (Heat Sink) .....	1
13	.....	Control Panel (Pump) (☞Figure 2-9, ☞Figure 2-10).....	1
14	1527887	Capscrew .....	1
15	1460477	Nut .....	1
16	4002302	Bracket (VSM) .....	1
16	4010473	Bracket (VSM) (Alternate Part) .....	1

## CONTACTOR ASSEMBLY (FIGURE 2-7)

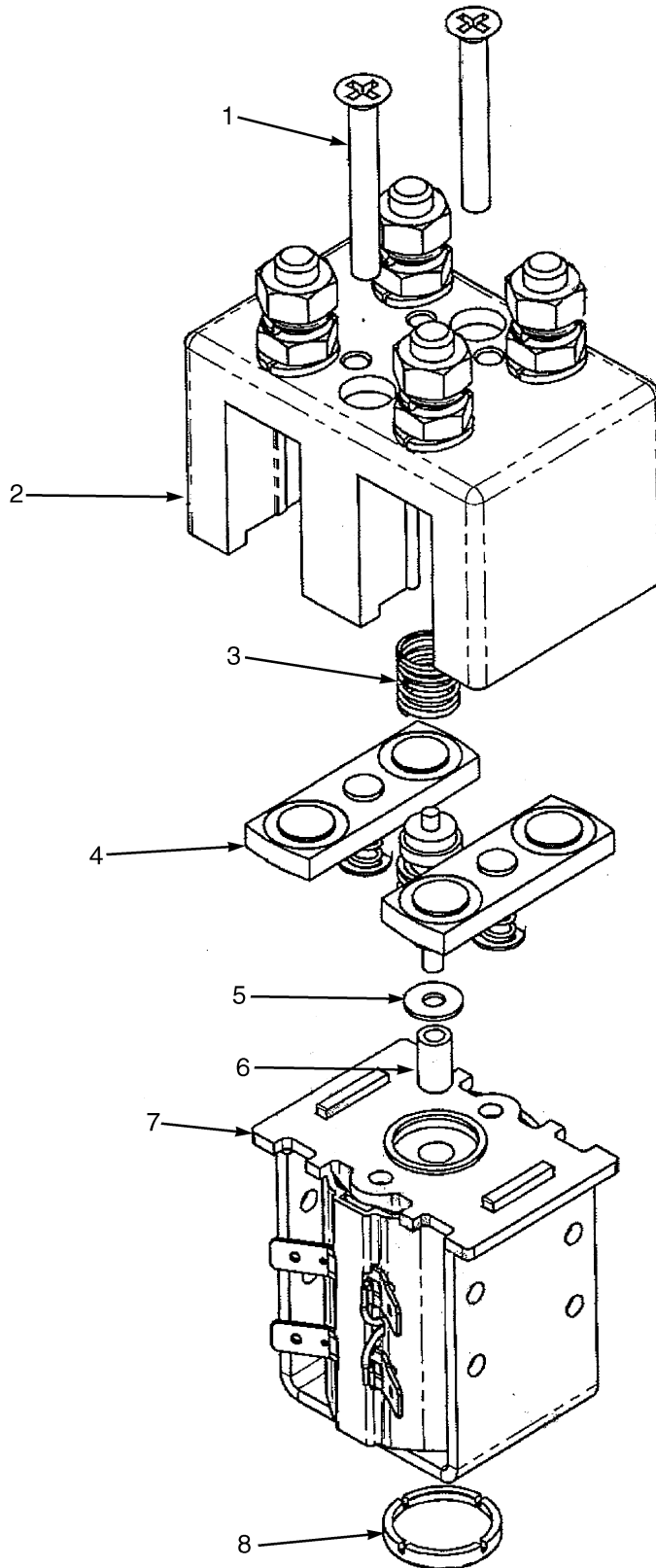


BP080875

**CONTACTOR ASSEMBLY**

ITEM	PART NO.	DESCRIPTION	QTY
	4600271	Contacteur Assembly .....	1
1	4001311	Contacteur (☞ Figure 2-8).....	1
2	1704190	Buss Bar (2 Pole) .....	1
3	1525921	Thermistor .....	1
3	1525922	Thermistor .....	2
3	4003770	Thermistor .....	2
3	1525920	E-Ring .....	2
3	222522	Heat Shrink .....	AR
4	296358	Washer .....	2
5	369218	Screw .....	2
6	4000825	Buss Bar .....	1
7	302020	Screw .....	4
8	1454478	Terminal Post .....	2
9	239503	Nut .....	2
10	325810	Fuse (500 Amp) .....	1
11	302008	Screw .....	2
12	320152	Washer .....	2
13	350996	Fuse (5 Amp) .....	1
14	314878	Fuse (15 Amp) .....	3
15	1553417	Fuse Connector .....	3
16	1374210	Fuse Block .....	1
17	4000098	Wire .....	1
17	2007554	E-Spade .....	1
18	4000090	Bracket .....	1
19	1527879	Capscrew .....	2
20	1480237	Nut .....	2

## CONTACTOR (FIGURE 2-8)



BP080797

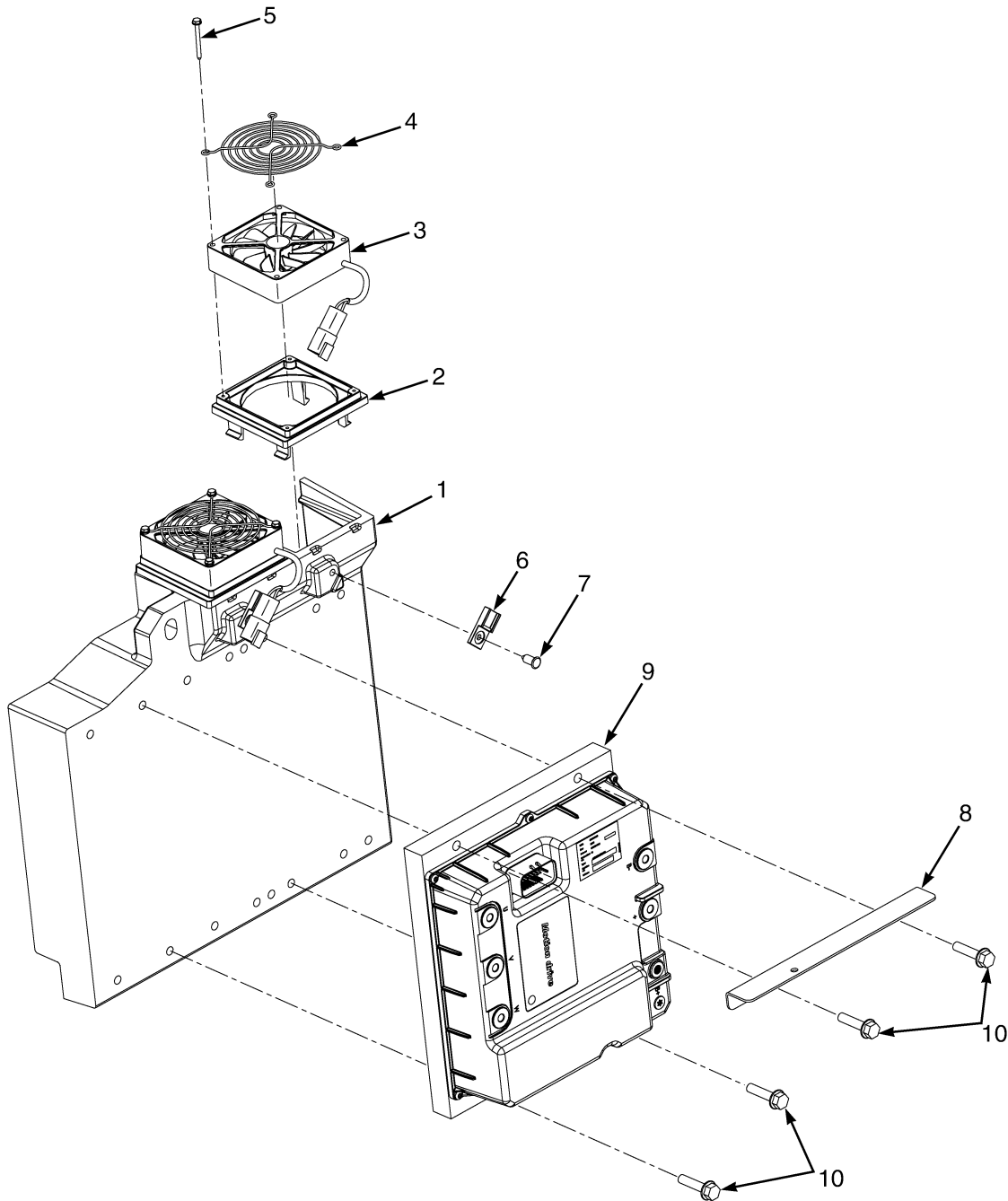


**CONTACTOR**

<b>ITEM</b>	<b>PART NO.</b>	<b>DESCRIPTION</b>	<b>QTY</b>
	4001311	Contactors .....	1
1	1314299	Screw .....	2
2	4002890	Cover .....	1
3	1704896	Return Spring .....	1
4	1704895	Contact .....	1
5	1704894	Washer .....	1
6	1704892	Plunger .....	1
7	1704887	Coil And Frame .....	1
8	1454122	End Cap .....	1

## CONTROL PANEL (FIGURE 2-9)

PUMP (→ S/N A276B03242K (LONG WHEEL BASE)) (→ S/N A276B03248K (SHORT WHEEL BASE))

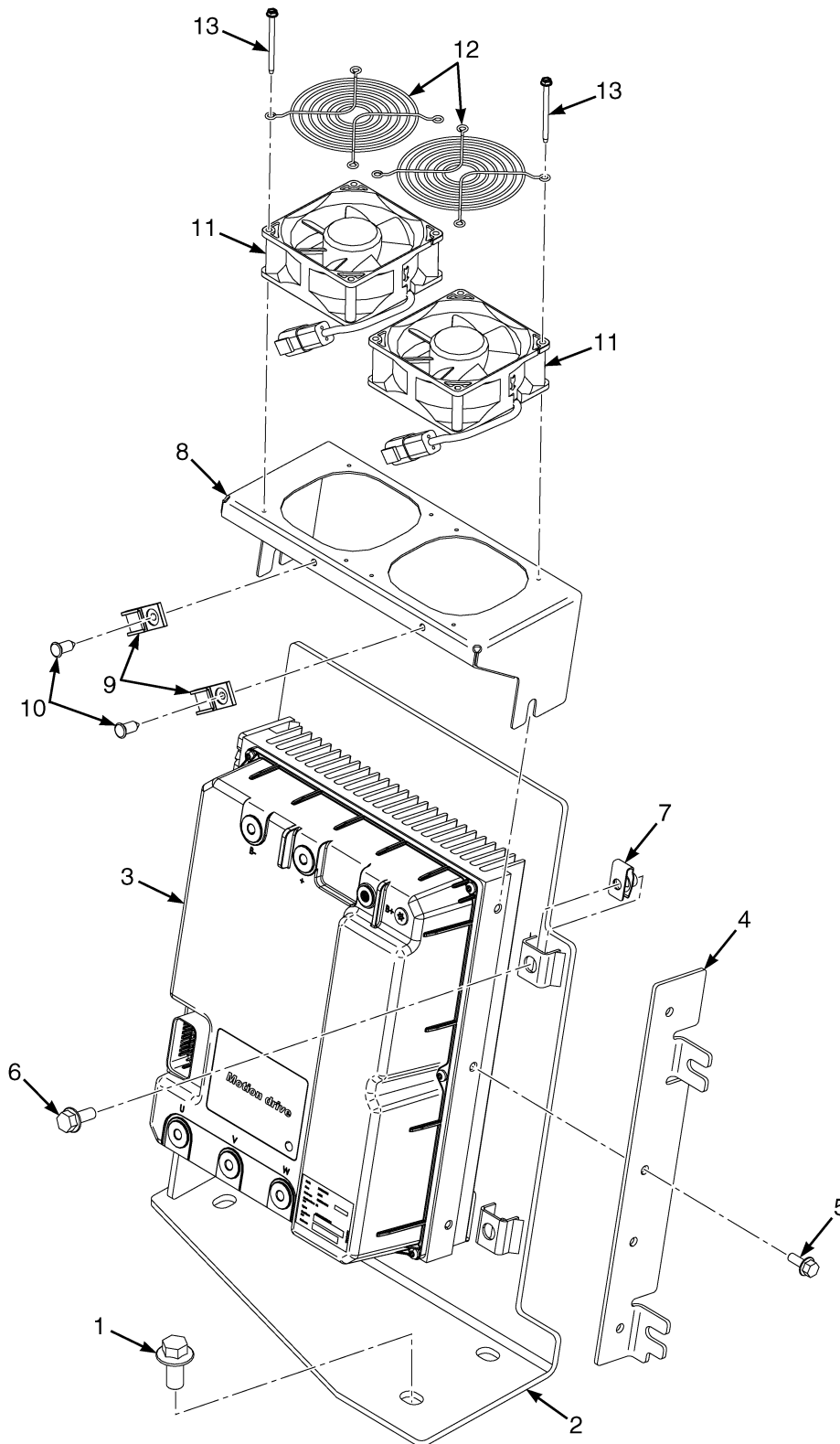


BP080879

**CONTROL PANEL****PUMP (→ S/N A276B03242K (LONG WHEEL BASE)) (→ S/N A276B03248K (SHORT WHEEL BASE))****KEY:****A: Standard Performance****B: Enhanced Performance**

ITEM	PART NO.	DESCRIPTION	QTY	
			A	B
1	1677131	Heatsink .....	1	1
2	1537132	Spacer .....	2	2
3	1647928	Fan (12V) .....	2	2
4	1565693	Guard .....	2	2
5	1694618	Screw .....	8	8
6	1500912	Clip .....	2	2
7	1582464	Fastener .....	2	2
8	4000479	Splash Guard (80 Volt) .....	..	1
8	4000478	Splash Guard (72/80 Volt) .....	1	..
9	2094712	Controller Pump (72/80 Volt) .....	1	..
9	2094714	Controller -Type 2 (72/80 Volt) .....	..	1
10	1528482	Capscrew .....	4	6

## CONTROL PANEL (FIGURE 2-10) PUMP — WITH INTEGRATED HEATSINK (S/N A276B03243K → (LONG WHEEL BASE)) (S/N A276B03249K → (SHORT WHEEL BASE))



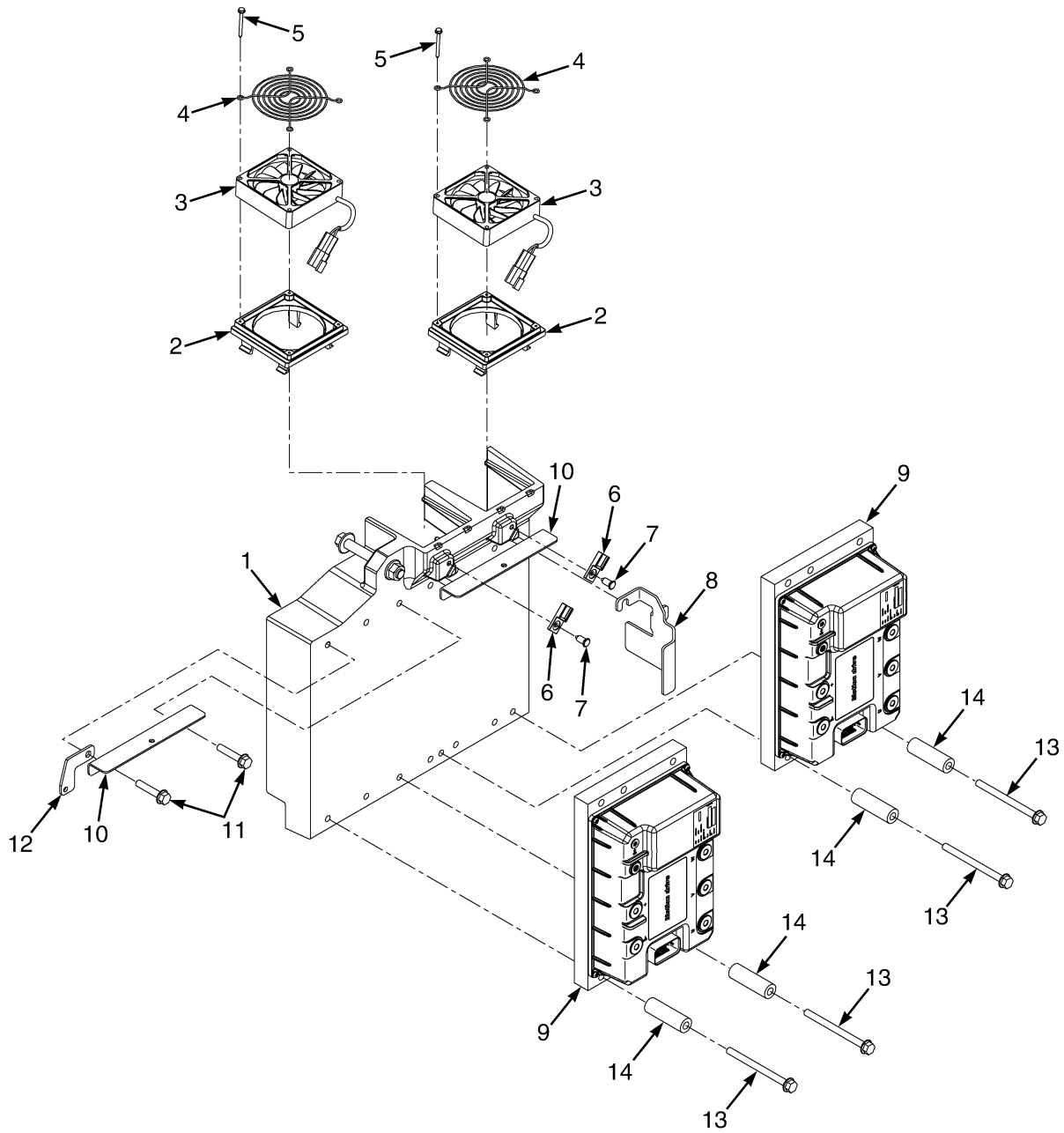
BP081132

**CONTROL PANEL**  
**PUMP – WITH INTEGRATED HEATSINK (S/N A276B03243K → (LONG WHEEL BASE))**  
**(S/N A276B03249K → (SHORT WHEEL BASE))**

**KEY:****A: Standard Performance****B: Enhanced Performance**

ITEM	PART NO.	DESCRIPTION	QTY	
			A	B
1	1690977	Bolt .....	3	3
2	4029533	Bracket Wldmt .....	1	1
3	4612140	Control Panel .....	1	..
3	4609749	Control Panel .....	..	1
4	4029535	Bracket .....	1	1
5	1527876	Capscrew .....	6	6
6	1527879	Capscrew .....	2	..
6	1527880	Capscrew .....	..	2
7	1480237	Nut .....	2	2
8	4611032	Air Duct .....	1	1
8	4054997	Air Duct (Alternate Part) .....	1	1
9	1500912	Clip .....	2	2
10	1582464	Fastener .....	2	2
11	4609751	Fan (72/80 Volt) .....	1	1
12	1565693	Guard .....	2	2
13	4609752	Screw .....	8	8
13	1683346	Insert (Not Illustrated) .....	8	8

## CONTROL PANEL (FIGURE 2-11) TRACTION MOTOR (→ S/N A276B03242K (LONG WHEEL BASE)) (→ S/N A276B03248K (SHORT WHEEL BASE))



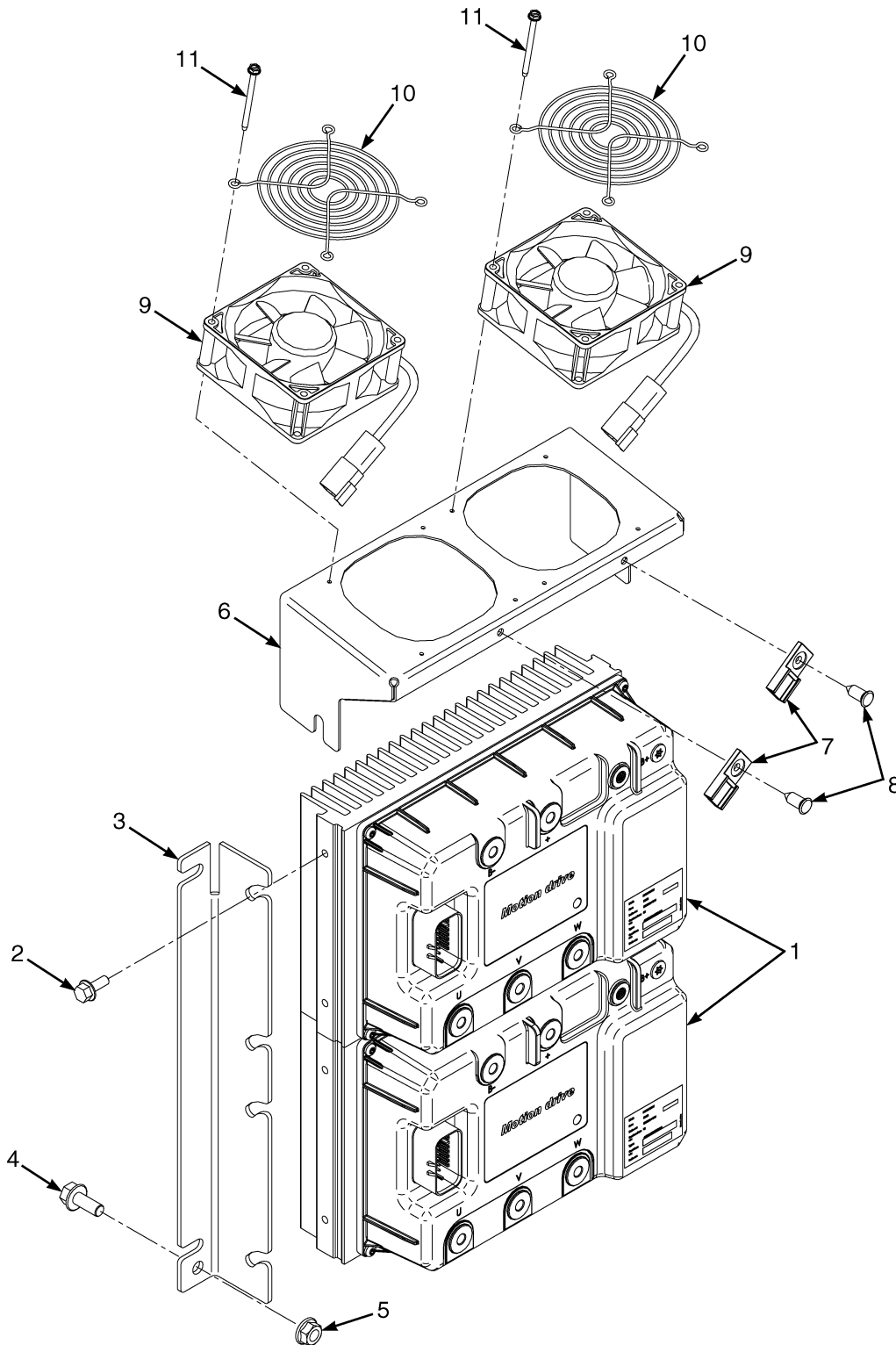
BP080878

**CONTROL PANEL**  
**TRACTION MOTOR (→ S/N A276B03242K (LONG WHEEL BASE))**  
**(→ S/N A276B03248K (SHORT WHEEL BASE))**

ITEM	PART NO.	DESCRIPTION	QTY
1	1677131	Heatsink .....	1
2	1537132	Spacer .....	2
3	4015542	Fan (12V) .....	2
4	1565693	Guard .....	2
5	4015541	Screw .....	8
6	1500912	Clip .....	2
7	1582464	Fastener .....	2
8	4000390	Bracket .....	1
9	2095850	Controller .....	2
10	4000477	Splash Guard .....	2
11	1510114	Capscrew .....	4
12	4000391	Bracket .....	1
13	1617601	Bolt .....	4
14	4006662	Spacer .....	4

## CONTROL PANEL (FIGURE 2-12)

TRACTION MOTOR — WITH INTEGRATED HEATSINK (S/N A276B03243K → (LONG WHEEL BASE))  
(S/N A276B03249K → (SHORT WHEEL BASE))





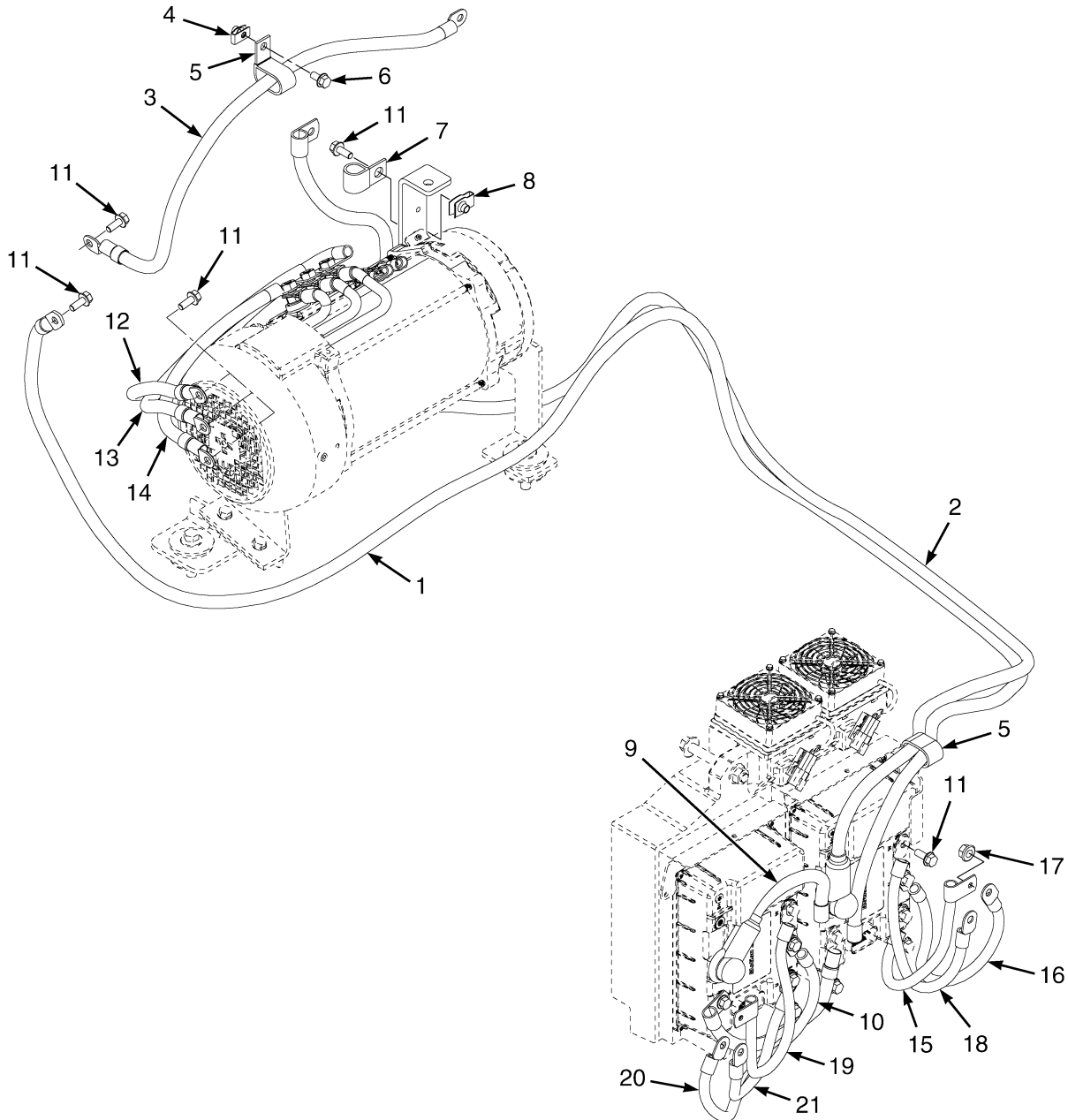
**CONTROL PANEL**

**TRACTION MOTOR – WITH INTEGRATED HEATSINK (S/N A276B03243K → (LONG WHEEL BASE))  
(S/N A276B03249K → (SHORT WHEEL BASE))**

ITEM	PART NO.	DESCRIPTION	QTY
1	4612139	Control Panel .....	2
2	1527876	Capscrew .....	8
3	4029339	Bracket .....	1
4	1527880	Capscrew .....	2
5	<del>1382472</del> 1502543	Nut (Flange) .....	2
6	4611032	Air Duct .....	1
6	4054997	Air Duct (Alternate Part) .....	1
7	1500912	Clip .....	2
8	1582464	Fastener .....	2
9	4609751	Fan (72/80 Volt) .....	2
10	1565693	Guard .....	2
11	4609752	Screw .....	8
11	1683346	Insert (Not Illustrated) .....	8

## POWER CABLES (FIGURE 2-13)

(→ S/N A276B03242K (LONG WHEEL BASE)) (→ S/N A276B03248K (SHORT WHEEL BASE))



BP080913

**POWER CABLES**

(→ S/N A276B03242K (LONG WHEEL BASE)) (→ S/N A276B03248K (SHORT WHEEL BASE))

**KEY:****A: 717 mm Battery Compartment****B: 861 mm Battery Compartment**

ITEM	PART NO.	DESCRIPTION	QTY	
			A	B
1	1691091	Power Cable (Contactor) .....	1	..
1	307975	Fitting .....	1	..
1	190810	Cable .....	AR	..
1	364537	E-Ring .....	1	..
1	1656700	Power Cable (Contactor) .....	..	1
1	307975	Fitting .....	..	1
1	190810	Cable .....	..	AR
1	364537	E-Ring .....	..	1
2	4006634	Power Cable (Contactor) .....	1	1
2	307975	Fitting .....	1	1
2	1302427	E-Ring .....	1	1
2	4006636	Boot .....	1	1
2	1357262	Cable .....	AR	AR
3	4008523	Power Cable (Contactor) .....	1	..
3	307975	Fitting .....	1	..
3	1547841	E-Ring .....	1	..
3	1357262	Cable .....	AR	..
3	4008522	Power Cable (Contactor) .....	..	1
3	307975	Fitting .....	..	1
3	1547841	E-Ring .....	..	1
3	1357262	Cable .....	..	AR
4	1480237	Nut .....	2	4
5	2052903	Clamp .....	2	2
6	1527879	Capscrew .....	1	3
7	298132	Clamp .....	1	..
8	1393879	Nut .....	1	..
8	1339465	J-Clamp Insulated .....	..	2
9	4006631	Power Cable (Contactor) .....	1	1
9	364537	E-Ring .....	1	1
9	307975	Fitting .....	1	1
9	4006636	Boot .....	1	1
9	1357262	Cable .....	AR	AR
10	4008728	Power Cable (Contactor) .....	1	1
10	307975	Fitting .....	1	1
10	364537	E-Ring .....	1	1
10	190810	Cable .....	AR	AR
11	1527880	Capscrew .....	17	16
11	136749	Screw (Alternate Part) .....	17	16
11	320158	Washer (Alternate Part) .....	17	16
11	292681	Lockwasher (Alternate Part) .....	17	16
12	1656157	Power Cable (Pump Motor) .....	1	1
12	307975	Fitting .....	1	1
12	1548177	E-Ring .....	1	1
12	190810	Cable .....	AR	AR
13	1656156	Power Cable (Pump Motor) .....	1	1

## POWER CABLES

(→ S/N A276B03242K (LONG WHEEL BASE)) (→ S/N A276B03248K (SHORT WHEEL BASE))

**KEY:**

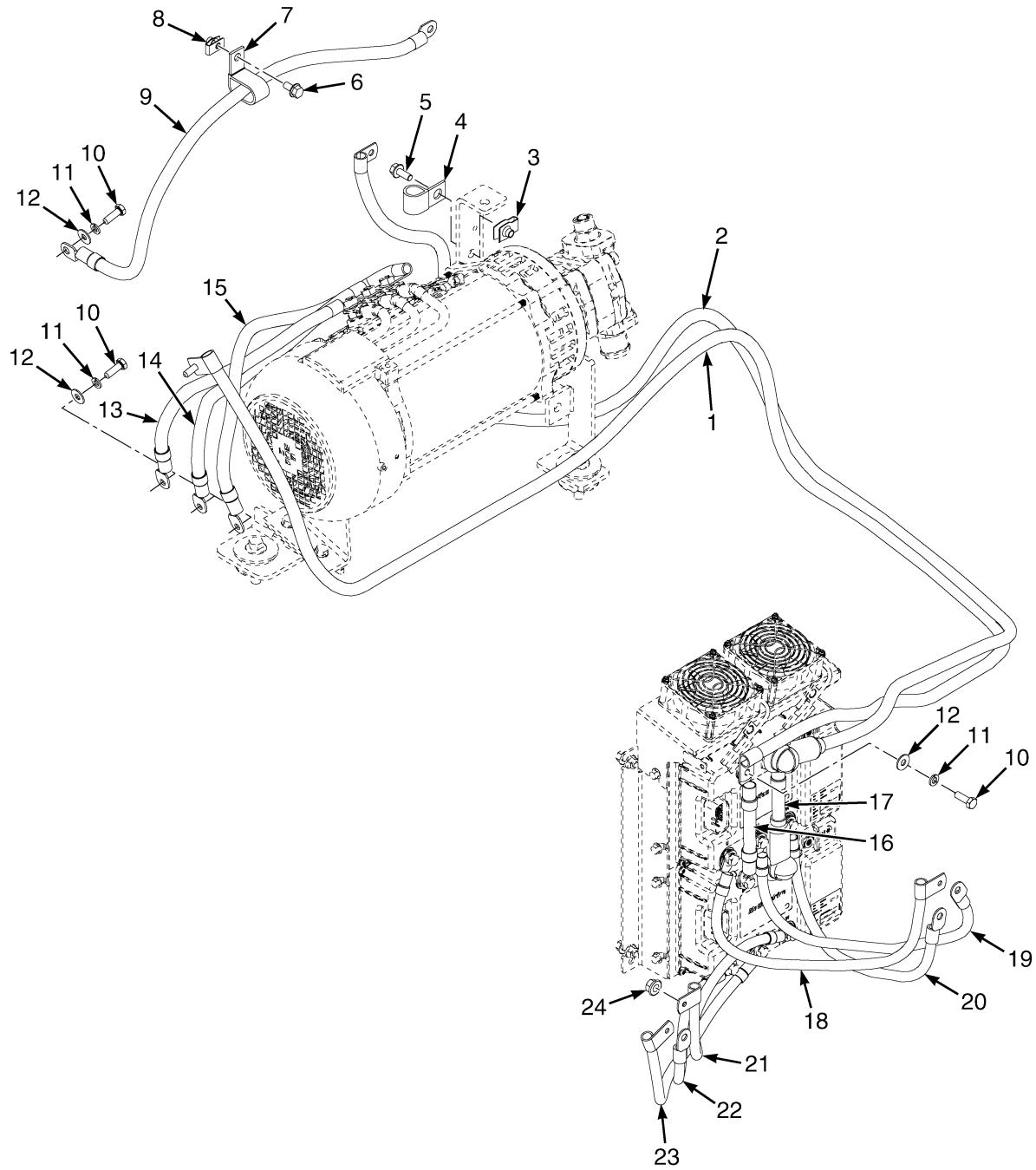
**A:** 717 mm Battery Compartment

**B:** 861 mm Battery Compartment

ITEM	PART NO.	DESCRIPTION	QTY	
			A	B
13	307975	Fitting .....	1	1
13	1548177	E-Ring .....	1	1
13	190810	Cable .....	AR	AR
14	1655927	Power Cable (Pump Motor) .....	1	1
14	307975	Fitting .....	1	1
14	1547841	E-Ring .....	1	1
14	190810	Cable .....	AR	AR
15	1655933	Power Cable (Pump Motor) .....	1	1
15	2303500	Terminal .....	1	1
15	1548177	E-Ring .....	1	1
15	190808	Cable-Bulk (FT) .....	AR	AR
16	1656159	Power Cable (Pump Motor) .....	1	1
16	2303500	Terminal .....	1	1
16	1466470	Terminal .....	1	1
16	190808	Cable-Bulk (FT) .....	AR	AR
17	1460477	Nut .....	6	6
18	1656160	Power Cable (Traction Motor) .....	1	1
18	2303500	Terminal .....	1	1
18	1466470	Terminal .....	1	1
18	190808	Cable-Bulk (FT) .....	AR	AR
19	1690980	Power Cable (Traction Motor) .....	1	1
19	2303500	Terminal .....	1	1
19	1548177	E-Ring .....	1	1
19	190808	Cable-Bulk (FT) .....	AR	AR
20	1690979	Power Cable (Traction Motor) .....	1	1
20	2303500	Terminal .....	1	1
20	1466470	Terminal .....	1	1
20	190808	Cable-Bulk (FT) .....	AR	AR
21	1690978	Power Cable (Traction Motor) .....	1	1
21	2303500	Terminal .....	1	1
21	1466470	Terminal .....	1	1
21	190808	Cable-Bulk (FT) .....	AR	AR



## POWER CABLES (FIGURE 2-14) WITH INTEGRATED HEATSINK (S/N A276B03243K → (LONG WHEEL BASE)) (S/N A276B03249K → (SHORT WHEEL BASE))



BP081131

**POWER CABLES**  
**WITH INTEGRATED HEATSINK (S/N A276B03243K → (LONG WHEEL BASE))**  
**(S/N A276B03249K → (SHORT WHEEL BASE))**

**KEY:****A: 717 mm Battery Compartment****B: 861 mm Battery Compartment**

ITEM	PART NO.	DESCRIPTION	QTY	
			A	B
1	4030400	Power Cable (Contactor) .....	1	..
1	364537	E-Ring .....	2	..
1	190810	Cable .....	AR	..
1	4030399	Power Cable (Contactor) .....	..	1
1	364537	E-Ring .....	..	2
1	190810	Cable .....	..	AR
2	4030398	Power Cable (Contactor) .....	1	1
2	4610113	Ring Terminal .....	1	1
2	1300579	E-Ring .....	1	1
2	4006636	Boot .....	1	1
2	1357262	Cable .....	AR	AR
3	1393879	Nut .....	1	..
4	298132	Clamp .....	1	..
4	1339465	J-Clamp Insulated .....	..	2
5	1527880	Capscrew .....	1	..
6	1527879	Capscrew .....	1	3
7	2052903	Clamp .....	1	1
8	1480237	Nut .....	1	3
9	4030335	Power Cable (Contactor) .....	1	..
9	364537	E-Ring .....	1	..
9	194368	E-Ring .....	1	..
9	1357262	Cable .....	AR	..
9	4030381	Power Cable (Contactor) .....	..	1
9	364537	E-Ring .....	..	1
9	194368	E-Ring .....	..	1
9	1357262	Cable .....	..	AR
10	136749	Screw .....	15	15
11	292681	Lockwasher .....	15	15
12	320158	Washer .....	15	15
13	4029210	Power Cable (Pump Motor) .....	1	1
13	4610113	Ring Terminal .....	1	1
13	1547841	E-Ring .....	1	1
13	190810	Cable .....	AR	AR
14	4029211	Power Cable (Pump Motor) .....	1	1
14	4610113	Ring Terminal .....	1	1
14	1548177	E-Ring .....	1	1
14	190810	Cable .....	AR	AR
15	4029212	Power Cable (Pump Motor) .....	1	1
15	4610113	Ring Terminal .....	1	1
15	1548177	E-Ring .....	1	1
15	190810	Cable .....	AR	AR
16	4030337	Power Cable (Contactor) .....	1	1
16	2306286	Terminal .....	1	1
16	190810	Cable .....	AR	AR

**POWER CABLES**  
**WITH INTEGRATED HEATSINK (S/N A276B03243K → (LONG WHEEL BASE))**  
**(S/N A276B03249K → (SHORT WHEEL BASE))**

**KEY:**

**A: 717 mm Battery Compartment**

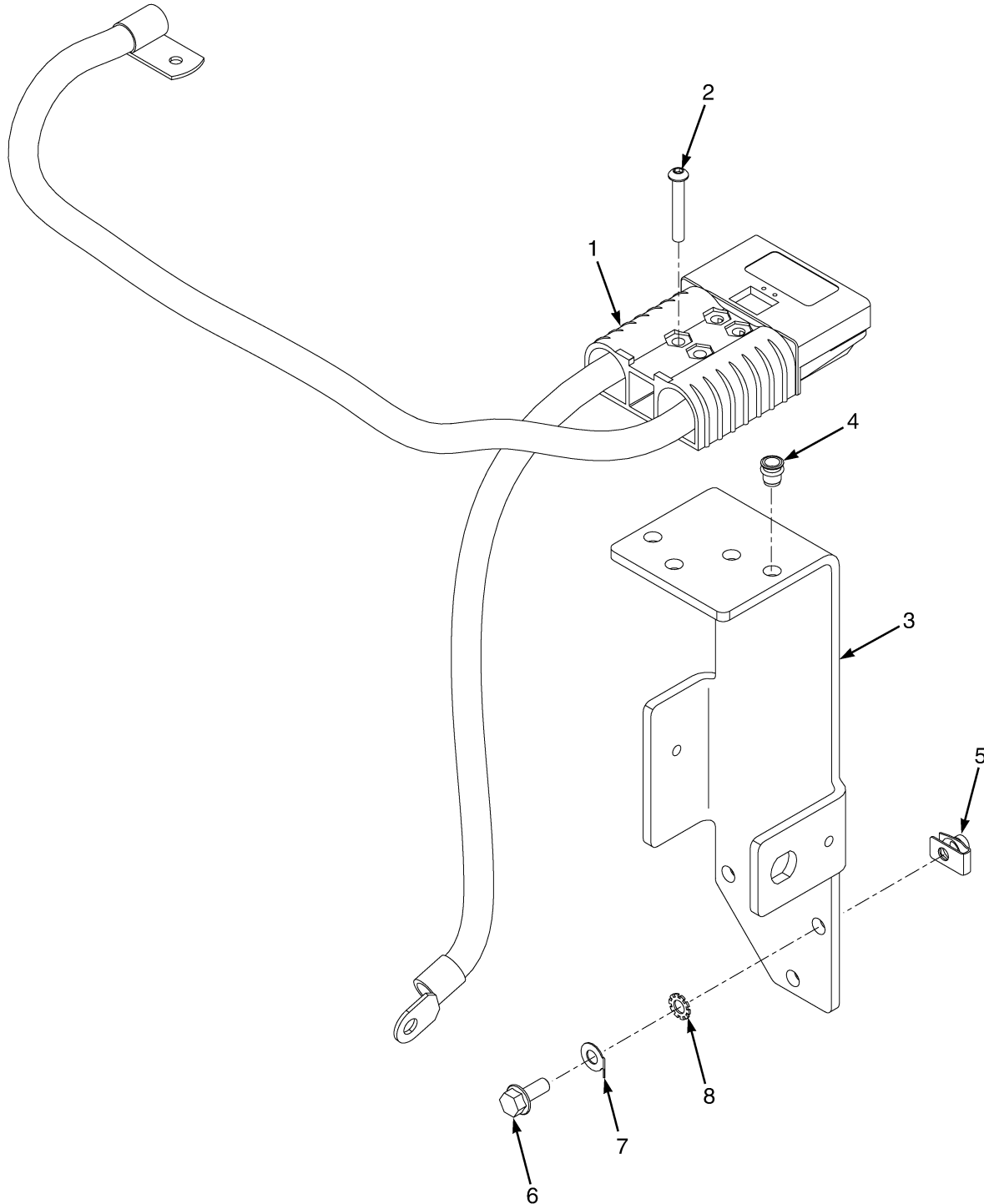
**B: 861 mm Battery Compartment**

ITEM	PART NO.	DESCRIPTION	QTY	
			A	B
17	4030336	Power Cable (Contactor) .....	1	1
17	4610113	Ring Terminal .....	1	1
17	4006636	Boot .....	1	1
17	1357262	Cable .....	AR	AR
18	4029548	Power Cable (Traction Motor) .....	1	1
18	1548177	E-Ring .....	1	1
18	2303500	Terminal .....	1	1
18	190808	Cable-Bulk (FT) .....	AR	AR
19	4029549	Power Cable (Traction Motor) .....	1	1
19	1466470	Terminal .....	1	1
19	2303500	Terminal .....	1	1
19	190808	Cable-Bulk (FT) .....	AR	AR
20	4029550	Power Cable (Traction Motor) .....	1	1
20	1466470	Terminal .....	1	1
20	2303500	Terminal .....	1	1
20	190808	Cable-Bulk (FT) .....	AR	AR
21	4029216	Power Cable (Traction Motor) .....	1	1
21	1548177	E-Ring .....	1	1
21	2303500	Terminal .....	1	1
21	190808	Cable-Bulk (FT) .....	AR	AR
22	4029214	Power Cable (Traction Motor) .....	1	1
22	1466470	Terminal .....	1	1
22	2303500	Terminal .....	1	1
22	190808	Cable-Bulk (FT) .....	AR	AR
23	4029215	Power Cable (Traction Motor) .....	1	1
23	1548177	E-Ring .....	1	1
23	1548177	E-Ring .....	1	1
23	2303500	Terminal .....	1	1
23	190808	Cable-Bulk (FT) .....	1	1





## BATTERY CONNECTOR AND CABLE ASSEMBLY (FIGURE 2-15) WITHOUT RAPID CHARGE OPTION



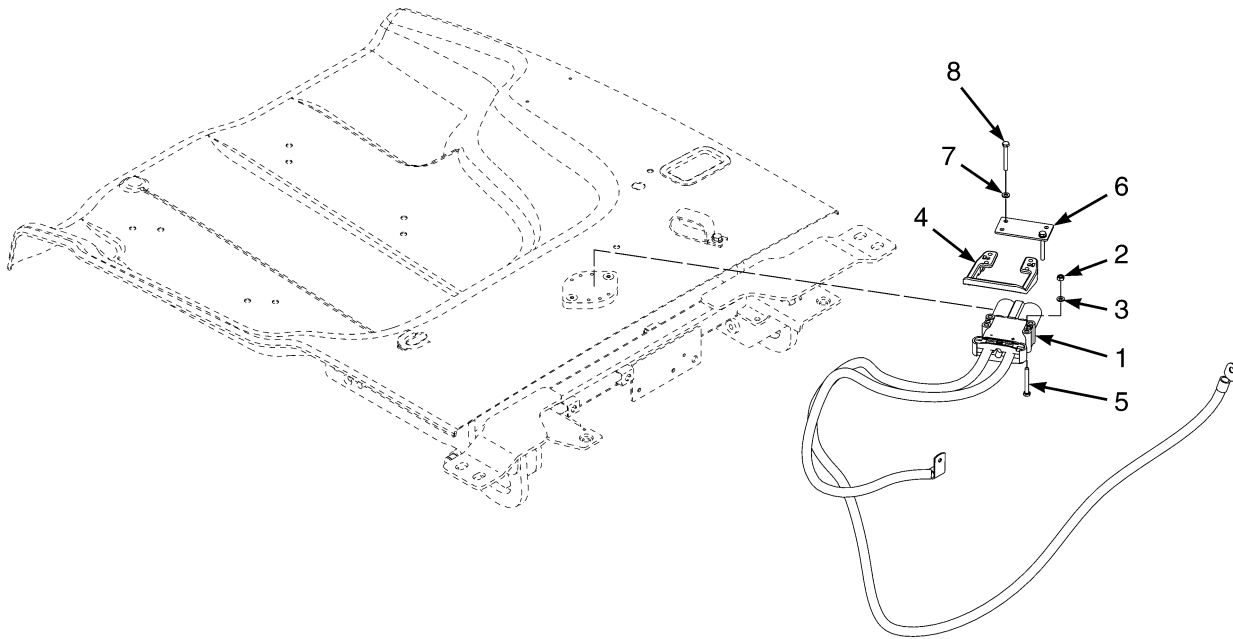
BP080822

**BATTERY CONNECTOR AND CABLE ASSEMBLY  
WITHOUT RAPID CHARGE OPTION****KEY:****A: SBE 80V****B: DIN 72/80V**

ITEM	PART NO.	DESCRIPTION	QTY	
			A	B
1	4008520	Battery Connector (SBE 80 Volt) .....	1	..
1	378386	Battery Connector .....	1	..
1	230132	E-Ring .....	1	..
1	1547837	E-Ring .....	1	..
1	190810	Cable .....	AR	..
1	1357262	Cable .....	AR	..
1	<b>a</b> 4008521	Battery Connector (DIN 72/80 Volt) .....	..	1
1	230132	E-Ring .....	..	1
1	1547837	E-Ring .....	..	1
1	1663632	Plug .....	..	1
1	190810	Cable .....	..	AR
1	1357262	Cable .....	..	AR
2	2062875	Capscrew .....	2	..
2	292506	Capscrew .....	..	2
3	1531001	Insert .....	2	2
4	4001542	Bracket (Horizontal Removal) .....	1	1
4	4001541	Bracket (Vertical Removal) .....	1	1
5	1480237	Nut .....	3	3
6	296380	Washer .....	1	1
7	1380434	Tab .....	1	1
8	1527880	Capscrew .....	3	3

**FOOTNOTES:****a** Not Illustrated

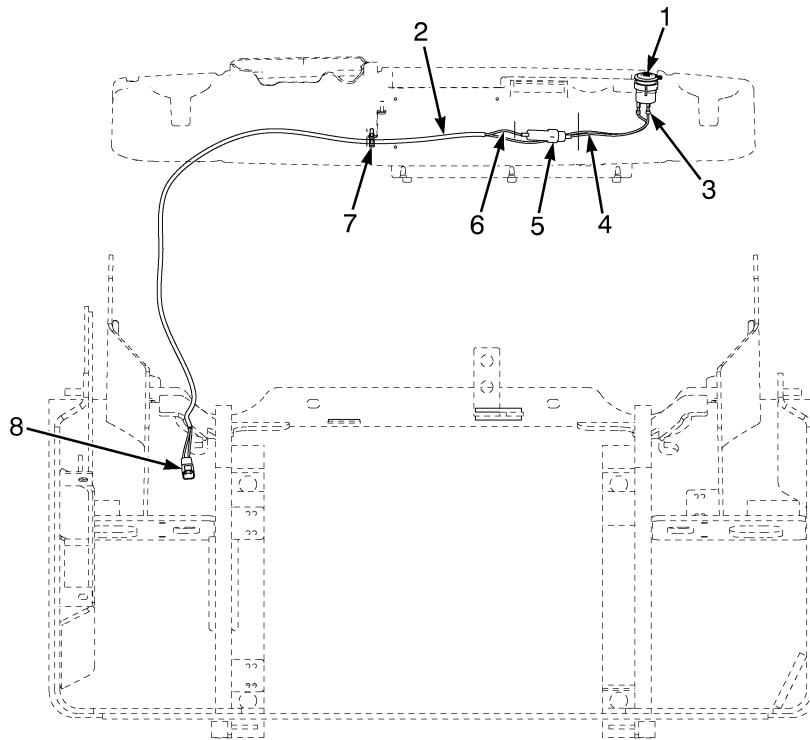
## BATTERY CONNECTOR AND CABLE ASSEMBLY (FIGURE 2-16) WITH RAPID CHARGE OPTION



BP081300

ITEM	PART NO.	DESCRIPTION	QTY
	4052569	Battery Connector And Cable .....	1
1	4046790	Battery Connector .....	1
1	1663633	Battery Connector .....	1
1	230132	E-Ring .....	1
1	1547837	E-Ring .....	1
1	190811	Cable (Black) .....	AR
1	1357263	Cable (Red) .....	AR
2	4512440		
	302399	Nut .....	4
3	320156	Washer .....	4
4	1696232	Handle .....	1
4	1696231	Handle .....	1
5	292505	Capscrew .....	4
6	1697128	Plate (Spacer) .....	1
7	320156	Washer .....	2
8	292505	Capscrew .....	2
	4046787	Kit .....	1

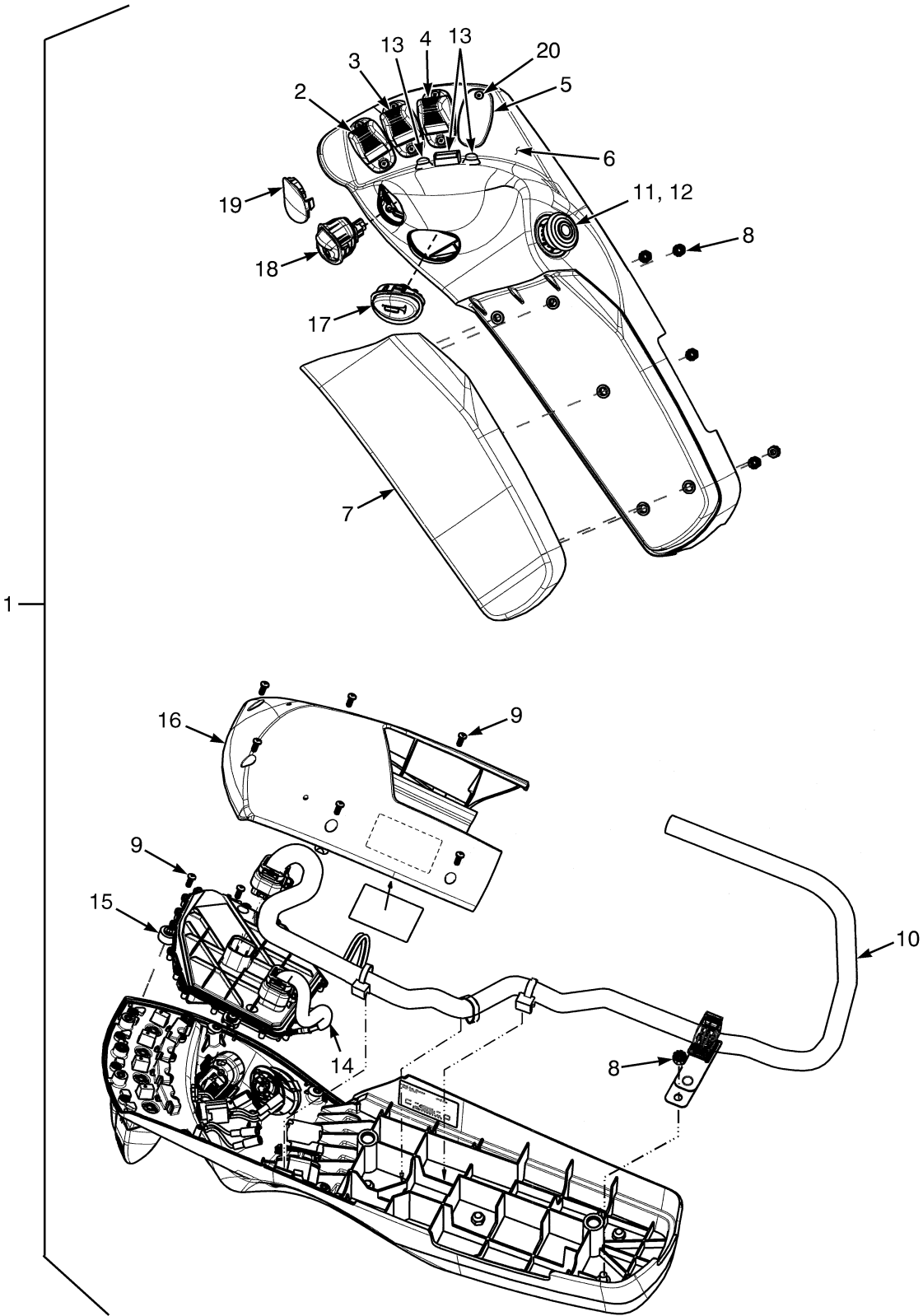
**AUXILIARY PLUG AND WIRE HARNESS (FIGURE 2-17)**



BP080801

ITEM	PART NO.	DESCRIPTION	QTY
1	1556322	Receptacle .....	1
2	4600856	Wire Harness (Aux Plug) .....	1
3	1310142	Terminal .....	2
4	4002297	Label (Fuse Warning-Amp/Volt) .....	1
5	4002299	Fuse Holder .....	1
5	314878	Fuse (15 Amp) .....	1
6	4002298	Label (Fuse Warning-Risk of Fire) .....	1
7	1402816	Clip .....	1
8	.....	DC-DC Converter Harness .....	1
8	1330409	Connector .....	1
8	1330437	Terminal (Pin) .....	2
8	1330414	Connector (Secondary Lock) .....	1

## MINI-LEVER CONTROLS (FIGURE 2-18) 3 FUNCTION



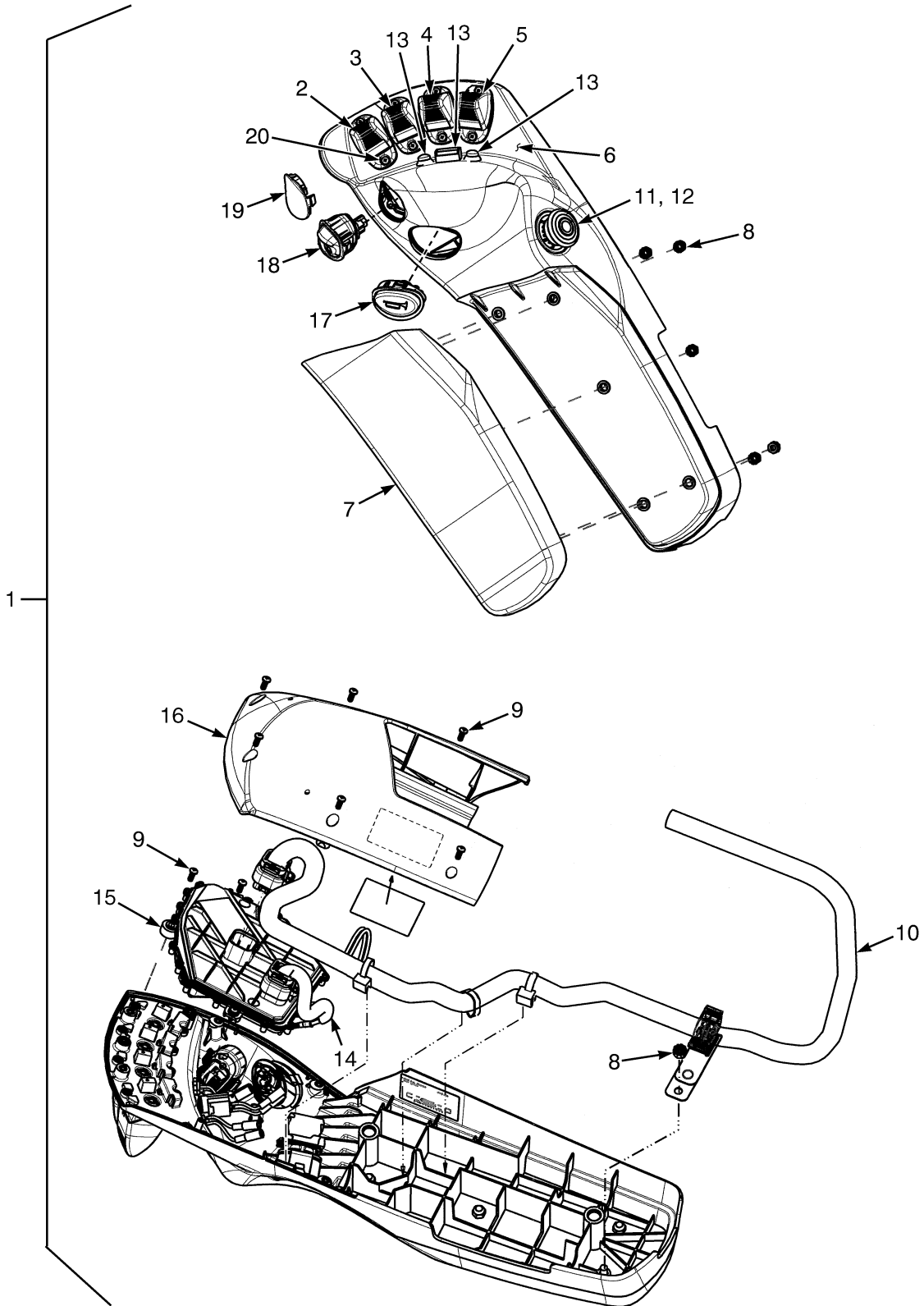
BP080936

**MINI-LEVER CONTROLS  
3 FUNCTION****KEY:****A: Without Directional Control Switch****B: With Directional Control Switch****C: Without Directional Control Switch, With RTST****D: With Directional Control Switch, With RTST**

ITEM	PART NO.	DESCRIPTION	QTY			
			A	B	C	D
1	2108514	Mini-Lever Assembly .....	1	..	..	..
1	2108517	Mini-Lever Assembly .....	..	1	..	..
1	2108499	Mini-Lever Assembly .....	..	..	1	..
1	2108505	Mini-Lever Assembly .....	..	..	..	1
2	.....	Lever Position 1 .....	1	1	1	1
2	2110791	Lever (Single Function) .....	1	1	1	1
3	.....	Lever Position 2 .....	1	1	1	1
3	2110791	Lever (Single Function) .....	1	1	..	..
3	2110793	Lever (With Override) .....	..	..	1	1
4	.....	Lever Position 3 .....	1	1	1	1
4	2110791	Lever (Single Function) .....	1	1	1	1
5	.....	Lever Position 4 .....	1	1	1	1
5	2108249	Plug .....	1	1	1	1
6	2111799	Armrest (Without Push Buttons) .....	1	1	..	..
6	4603439	Armrest (With Push Buttons) .....	..	..	1	1
7	2111769	Cushion (Armrest) .....	1	1	1	1
8	1709587	Nut .....	5	5	5	5
9	1703513	Screw .....	9	9	9	9
10	2111801	Wire Harness .....	1	1	1	1
11	2111768	Switch (E-Stop) (Emergency Switch) .....	1	1	1	1
12	2107320	Push Button Switch .....	1	1	1	1
13	1704528	Push Button (Position 2) .....	..	..	1	1
13	<b>ab</b> 1705359	Cover (Push Button) .....	AR	AR	AR	AR
14	1704529	Wire Harness (Forward/Reverse Switch in the MLM) .....	..	..	1	1
15	2111802	.....	.....	.....	.....	.....
	4605337	Printed Circuit Board .....	1	1	1	1
16	2111800	Cover (Bottom Armrest) .....	1	1	1	1
17	2111770	Horn Button .....	1	1	1	1
18	2110943	Switch (Directional Control) .....	..	1	..	1
19	2110942	Plug (Directional Control Switch) .....	1	..	1	..
20	1698449	Capscrew .....	8	8	8	8

**FOOTNOTES:****a** Not Illustrated**b** Plug for Use Without Push Button

## MINI-LEVER CONTROLS (FIGURE 2-19) 4 FUNCTION



BP080844



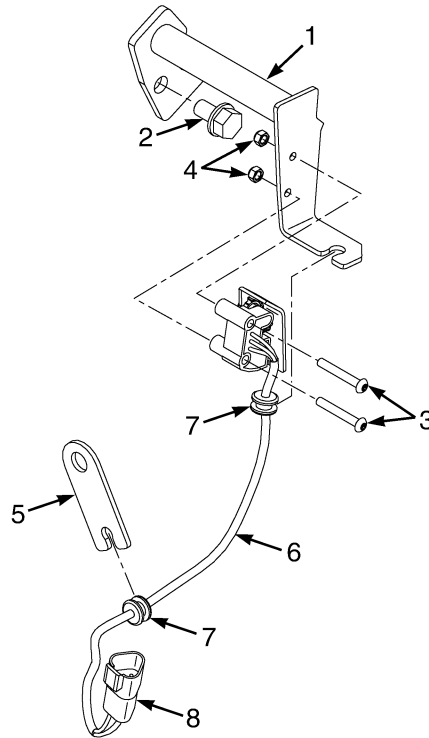
**MINI-LEVER CONTROLS  
4 FUNCTION****KEY:****A: Without Directional Control Switch****B: With Directional Control Switch****C: Without Directional Control Switch, With RTST****D: With Directional Control Switch, With RTST**

ITEM	PART NO.	DESCRIPTION	QTY			
			A	B	C	D
1	2108497	Mini-Lever Assembly .....	1	..	..	..
1	<b>d</b> 2108498	Mini-Lever Assembly .....	1	..	..	..
1	2108502	Mini-Lever Assembly .....	..	1	..	..
1	<b>d</b> 2108504	Mini-Lever Assembly .....	..	1	..	..
1	2108516	Mini-Lever Assembly .....	..	..	1	..
1	<b>d</b> 2108501	Mini-Lever Assembly .....	..	..	1	..
1	2108518	Mini-Lever Assembly .....	..	..	..	1
1	<b>d</b> 2108506	Mini-Lever Assembly .....	..	..	..	1
2	.....	Lever Position 1 .....	1	1	1	1
2	2110791	Lever (Single Function) .....	1	1	1	1
3	.....	Lever Position 2 .....	1	1	1	1
3	2110791	Lever (Single Function) .....	1	1	..	..
3	2110793	Lever (With Override) .....	..	..	1	1
4	.....	Lever Position 3 .....	1	1	1	1
4	2110791	Lever (Single Function) .....	1	1	1	1
5	.....	Lever Position 4 .....	1	1	1	1
5	2110791	Lever (Single Function) .....	1	1	..	..
5	2110792	Lever (Clamping) .....	..	..	1	1
6	<b>e</b> 2111799	Armrest (Without Push Buttons) .....	1	1	..	..
6	4603439	Armrest (With Push Buttons) .....	1	1	1	1
7	2111769	Cushion (Armrest) .....	1	1	1	1
8	1709587	Nut .....	5	5	5	5
9	1703513	Screw .....	9	9	9	9
10	2111801	Wire Harness .....	1	1	1	1
11	2111768	Switch (E-Stop) (Emergency Switch) .....	1	1	1	1
12	2107320	Push Button Switch .....	1	1	1	1
13	<b>d</b> 1704528	Push Button (Position 4) .....	1	1	..	..
13	1704528	Push Button (Position 2) .....	..	..	1	1
13	<b>d</b> 1704528	Push Button (Position 2 and 4) .....	..	..	1	1
13	<b>ab</b> 1705359	Cover (Push Button) .....	AR	AR	AR	AR
14	<b>c</b> 1704529	Wire Harness (Forward/Reverse Switch in the MLM) .....	1	1	1	1
15	2111802	.....	.....	.....	.....	.....
	4605337	Printed Circuit Board .....	1	1	1	1
16	2111800	Cover (Bottom Armrest) .....	1	1	1	1
17	2111770	Horn Button .....	1	1	1	1
18	2110943	Switch (Directional Control) .....	..	1	1	..
19	2110942	Plug (Directional Control Switch) .....	1	..	..	1
20	1698449	Capscrew .....	8	8	8	8

**FOOTNOTES:**

- |          |                                  |          |                  |
|----------|----------------------------------|----------|------------------|
| <b>a</b> | Not Illustrated                  | <b>d</b> | With Clamping    |
| <b>b</b> | Plug for Use Without Push Button | <b>e</b> | Without Clamping |
| <b>c</b> | RTST With Clamping               |          |                  |

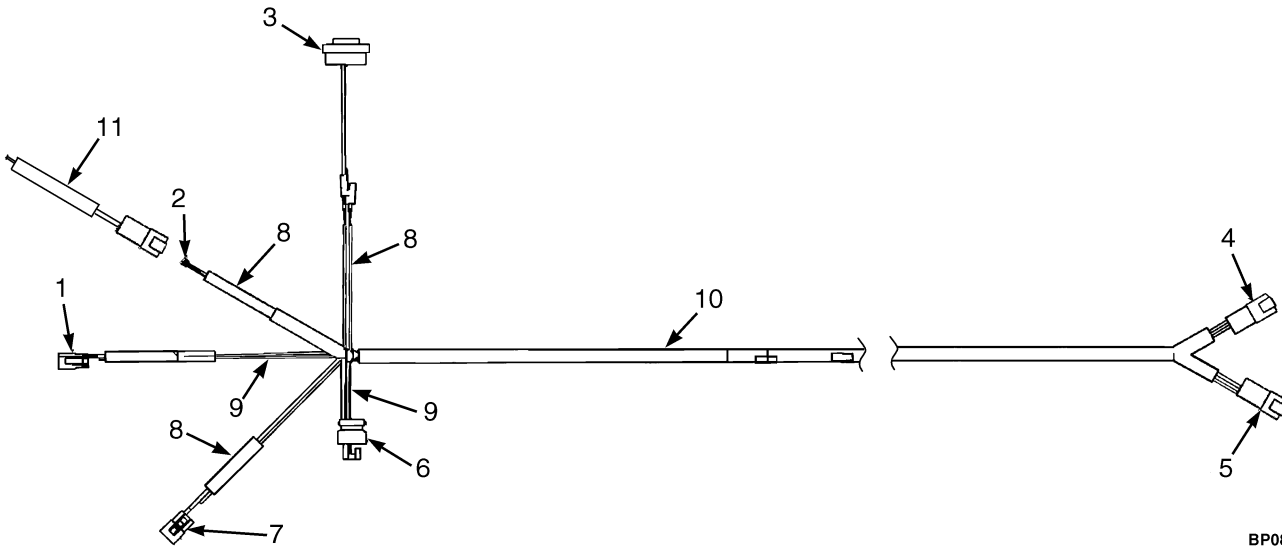
**TILT SENSOR GROUP (FIGURE 2-20)**



BP080888

ITEM	PART NO.	DESCRIPTION	QTY
1	4000840	Bracket .....	1
2	1615163	Capscrew .....	1
3	1553897	Capscrew .....	2
4	302398	Locknut .....	2
5	1693988	Bracket .....	1
6	1589621	Sensor (Mast Position) .....	1
7	26284	Grommet .....	2
8	1493466	Connector .....	1
8	1330437	Terminal (Pin) .....	3
8	1330415	Connector (Secondary Lock) .....	1

## WIRE HARNESS (FIGURE 2-21) DISPLAY - FREEZER

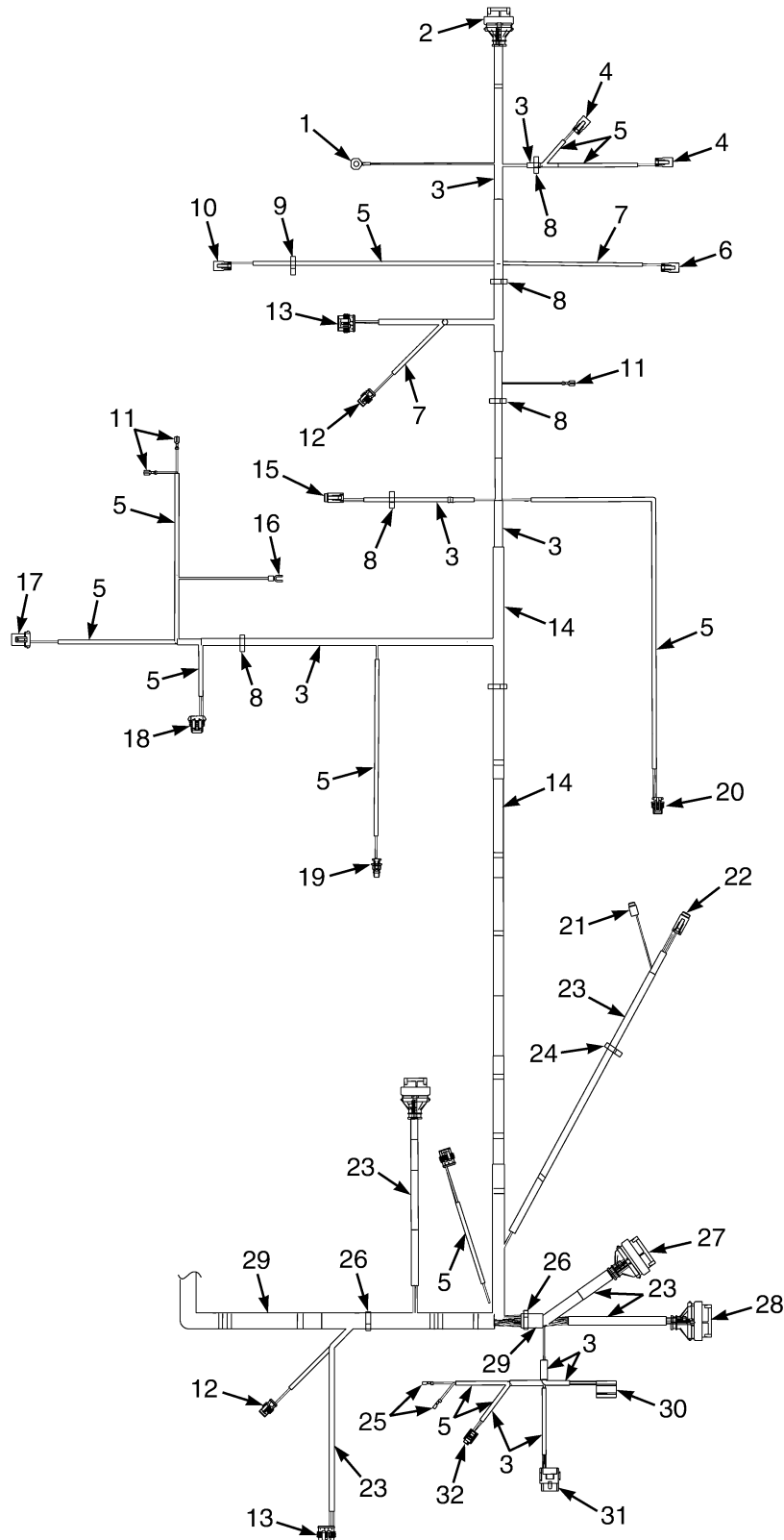


BP080192

ITEM	PART NO.	DESCRIPTION	QTY
	2102292	Wire Harness (Freezer) .....	1
1	.....	Connector Assembly .....	1
1	1330438	Terminal (Socket) .....	2
1	1330424	Connector (Secondary Lock) .....	1
1	1330419	Connector .....	1
2	1677799	Sensor (Temperature) .....	1
3	2101546	Buzzer .....	1
4	.....	Connector Assembly .....	1
4	1541988	Connector (8 Pin) .....	1
4	1541989	Connector (Secondary Lock) .....	1
4	1463140	Terminal (Pin) .....	7
4	1484377	Plug .....	1
5	.....	Connector Assembly .....	1
5	1330411	Connector .....	1
5	1330416	Connector (Secondary Lock) .....	1
5	1330437	Terminal (Pin) .....	4
6	.....	Connecor Assembly .....	1
6	2069414	Connector (Plug) .....	1
6	1561019	.....	.....
	2035276	Connector (Socket Female) .....	8
7	.....	Connecor Assembly .....	1
7	1330438	Terminal (Socket) .....	3
7	1330426	Connector .....	1
7	1330420	Connector .....	1



## WIRE HARNESS (FIGURE 2-22) MAIN WITH MANUAL HYDRAULICS — SHEET 1 OF 2 (→ S/N A276B03242K (LONG WHEEL BASE)) (→ S/N A276B03248K (SHORT WHEEL BASE))



BP080854

**WIRE HARNESS**  
**MAIN WITH MANUAL HYDRAULICS – SHEET 1 OF 2 (→ S/N A276B03242K (LONG WHEEL BASE))**  
**(→ S/N A276B03248K (SHORT WHEEL BASE))**

ITEM	PART NO.	DESCRIPTION	QTY
	2111717	Wire Harness (Main) .....	1
1	1402620	Ring Terminal .....	1
2	.....	Connector Assembly (Pump Motor Controller) .....	1
2	4600244	Cover (Connector) .....	2
2	2035275	Connector .....	1
2	137852	Strap Clamp .....	1
2	1561019	.....	
	2035276	Connector (Socket Female) .....	14
2	2068741	Plug .....	9
3	275494	Conduit .....	AR
4	.....	Connector Assembly (Fan) .....	2
4	1490242	Connector (2 Way) .....	1
4	1490243	Connector (Secondary Lock) .....	1
4	1597773	Terminal .....	2
5	275493	Conduit .....	AR
6	.....	Connector Assembly (Overhead Guard Horn Switch) .....	1
6	1330419	Connector .....	1
6	1330424	Connector (Secondary Lock) .....	1
6	1597773	Terminal .....	2
7	1655195	Conduit .....	AR
8	1500901	Clip .....	5
9	1402816	Clip .....	1
10	.....	Connector Assembly (Battery Gate Magnetic Switch) .....	1
10	1490242	Connector (2 Way) .....	1
10	1490243	Connector (Secondary Lock) .....	1
10	1597773	Terminal .....	2
11	248196	Terminal .....	3
12	.....	Connector Assembly (Temperature Sensor) .....	2
12	1508206	Connector (2 Way) .....	1
12	1597839	Receptacle Contact 20-22 AWG .....	2
12	2060555	Wire Seal .....	2
13	.....	Connector Assembly (Speed Sensor) .....	2
13	1508211	Connector (4 Way) .....	1
13	1597839	Receptacle Contact 20-22 AWG .....	4
13	2060555	Wire Seal .....	4
14	275496	Conduit .....	AR
15	.....	Connector Assembly (Seat Harness) .....	1
15	1531973	Connector .....	1
15	1531974	Connector .....	1
15	1463141	Terminal (Socket) .....	4
15	1484377	Plug .....	2
16	2007554	E-Spade .....	1
17	.....	Connector Assembly (Hydraulic Filter Pressure Switch) .....	1
17	1329152	Plug .....	1
17	137852	Strap Clamp .....	1
17	1329151	Terminal .....	1
17	1330281	Terminal .....	2
17	1402888	Seal .....	2
18	.....	Connector Assembly (Hydraulic Oil Level Sensor) .....	1

## WIRE HARNESS

MAIN WITH MANUAL HYDRAULICS – SHEET 1 OF 2 (→ S/N A276B03242K (LONG WHEEL BASE))  
(→ S/N A276B03248K (SHORT WHEEL BASE))

ITEM	PART NO.	DESCRIPTION	QTY
18	1476067	Connector .....	1
18	137852	Strap Clamp .....	1
18	1476109	Connector Lock .....	1
18	1330355	Terminal .....	3
18	1476108	Wire Seal .....	3
19	.....	Connector Assembly (Hydraulic Oil Temperature Sensor) .....	1
19	1547480	Connector (2 Way) .....	1
19	1674376	Terminal .....	2
19	1673840	Seal .....	2
20	.....	Connector Assembly (Steer Axle Sensor) .....	1
20	1673825	Connector .....	1
20	1673826	Terminal .....	3
20	1673840	Seal .....	3
21	.....	Connector Assembly (Synchronous Steer Harness) .....	1
21	1484557	Connector (2 Socket) .....	1
21	137852	Strap Clamp .....	1
21	1484558	Connector (Secondary Lock) .....	1
21	1463141	Terminal (Socket) .....	2
22	.....	Connector Assembly (Steer Harness) .....	1
22	1541991	Connector .....	1
22	1541992	Connector .....	1
22	1463141	Terminal (Socket) .....	7
22	1484377	Plug .....	1
23	275495	Conduit .....	AR
24	1402815	Clip .....	1
25	.....	Connector Assembly (Brake Fluid Level) .....	2
25	1324309	Sleeve .....	1
25	1324310	Terminal .....	1
26	1402817	Clip .....	2
27	.....	Connector Assembly (VSM) .....	1
27	4600243	Cover .....	2
27	137852	Strap Clamp .....	1
27	2056243	Connector (35 Way) .....	1
27	1561019	.....	.....
27	2035276	Connector (Socket Female) .....	26
27	2068741	Plug .....	9
28	.....	Connector Assembly (VSM) .....	1
28	1553094	Connector .....	1
28	4600243	Cover .....	2
28	137852	Strap Clamp .....	1
28	1561019	.....	.....
28	2035276	Connector (Socket Female) .....	18
28	2068741	Plug .....	17
29	275498	Conduit .....	AR
30	.....	Connector Assembly (Key Switch Relay) .....	1
30	1377860	Connector .....	1
30	1377868	Receptacle .....	2
30	1655183	Terminal .....	2
31	.....	Connector Assembly (Synchronous Steer Valve Relay) .....	1

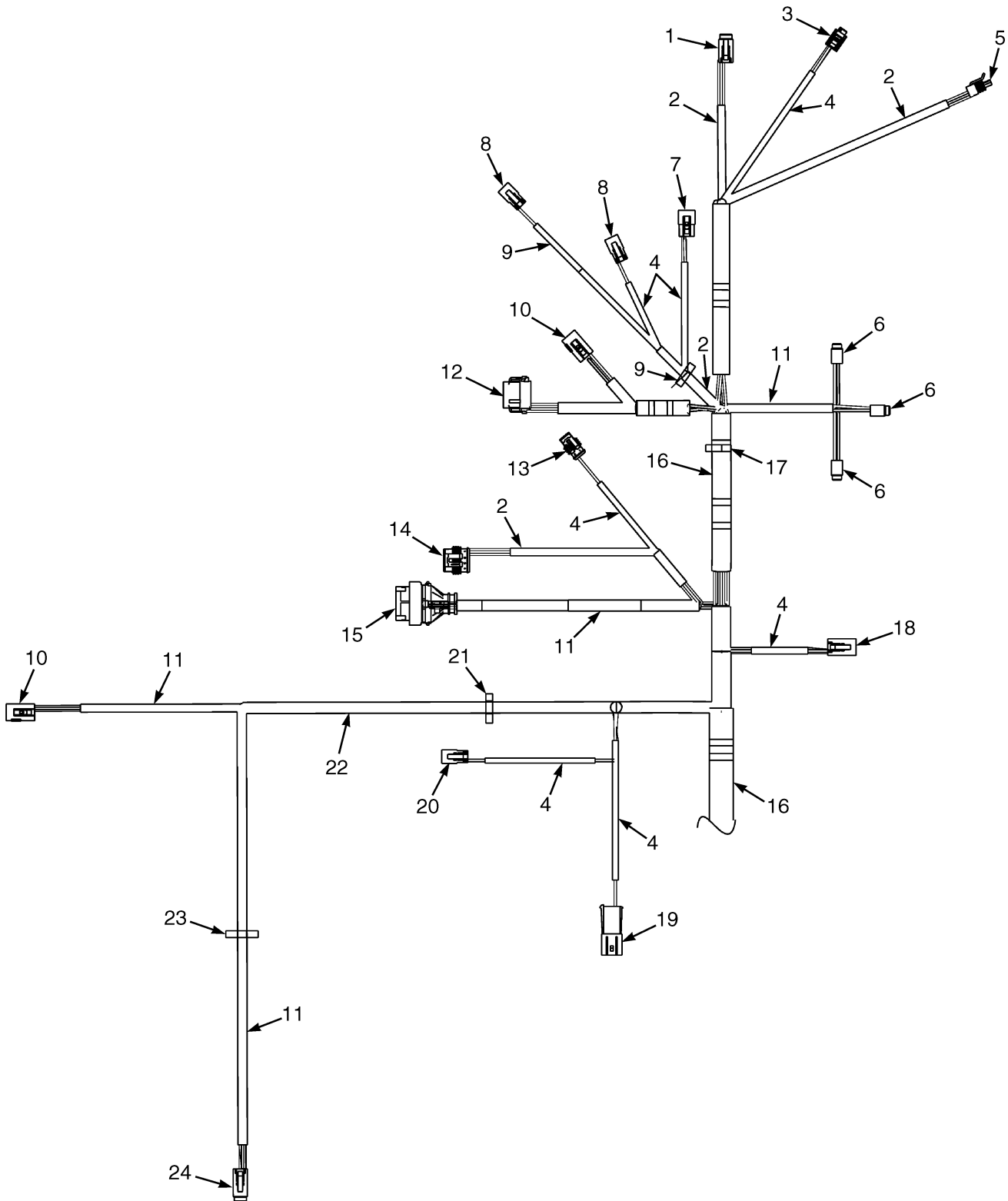


**WIRE HARNESS**

**MAIN WITH MANUAL HYDRAULICS – SHEET 1 OF 2 (→ S/N A276B03242K (LONG WHEEL BASE))  
(→ S/N A276B03248K (SHORT WHEEL BASE))**

<b>ITEM</b>	<b>PART NO.</b>	<b>DESCRIPTION</b>	<b>QTY</b>
31	2100204	Receptacle .....	1
31	1689606	Terminal .....	4
32	. . . . .	Connector Assembly (Service Brake Pressure Switch) .....	1
32	1525595	Connector .....	1
32	1525596	Terminal .....	3
32	1533810	Seal .....	3

**WIRE HARNESS (FIGURE 2-23)**  
**MAIN WITH MANUAL HYDRAULICS — SHEET 2 OF 2 (→ S/N A276B03242K (LONG WHEEL BASE))**  
**(→ S/N A276B03248K (SHORT WHEEL BASE))**



**WIRE HARNESS**  
**MAIN WITH MANUAL HYDRAULICS – SHEET 2 OF 2 (→ S/N A276B03242K (LONG WHEEL BASE))**  
**(→ S/N A276B03248K (SHORT WHEEL BASE))**

ITEM	PART NO.	DESCRIPTION	QTY
	2111717	Wire Harness (Main) .....	1
1	.....	Connector Assembly (Direction Select Sensor) .....	1
1	1463189	Connector .....	1
1	1463196	Connector .....	1
1	1463141	Terminal (Socket) .....	4
2	275494	Conduit .....	AR
3	.....	Connector Assembly (Lift Pressure) .....	1
3	1525595	Connector .....	1
3	137852	Strap Clamp .....	1
3	1525596	Terminal .....	3
3	1533810	Seal .....	3
4	275493	Conduit .....	AR
5	.....	Connector Assembly (Accelerator Pedal Position Sensor) .....	1
5	1525584	Connector .....	1
5	1532571	Terminal .....	6
6	.....	Connector Assembly (Manual Hydraulic Interlock Coils) .....	3
6	1484557	Connector (2 Socket) .....	1
6	1484558	Connector (Secondary Lock) .....	1
6	1463139	Terminal .....	1
6	1463141	Terminal (Socket) .....	1
7	.....	Connector Assembly (Park Brake Position Sensor) .....	1
7	1484397	Connector (3-Way) .....	1
7	1463194	Connector (Secondary Lock) .....	1
7	1597773	Terminal .....	3
8	.....	Connector Assembly (Fan) .....	2
8	1490242	Connector (2 Way) .....	1
8	1490243	Connector (Secondary Lock) .....	1
8	1597773	Terminal .....	2
9	1500901	Clip .....	1
10	.....	Connector Assembly (Harness Connector) .....	2
10	1330423	Connector (8 Socket) .....	1
10	1330429	Connector .....	1
10	1597773	Terminal .....	8
11	275495	Conduit .....	AR
12	1529046	Connector .....	1
12	1463141	Terminal (Socket) .....	12
12	.....	Connector Assembly (Manual Harness Spool Position Sensor) .....	1
12	1525567	Connector .....	1
13	1597839	Receptacle Contact 20-22 AWG .....	2
13	.....	Connector Assembly (Right Hand Traction Motor Temperature Sensor) .....	1
13	1508206	Connector (2 Way) .....	1
13	2060555	Wire Seal .....	2
14	.....	Connector Assembly (Right Hand Traction Motor Speed Sensor) .....	1
14	1508211	Connector (4 Way) .....	1
14	1597839	Receptacle Contact 20-22 AWG .....	4
14	2060555	Wire Seal .....	4
15	.....	Connector Assembly (Right Hand Traction Motor Controller) .....	1
15	4600244	Cover (Connector) .....	2
15	2035275	Connector .....	1

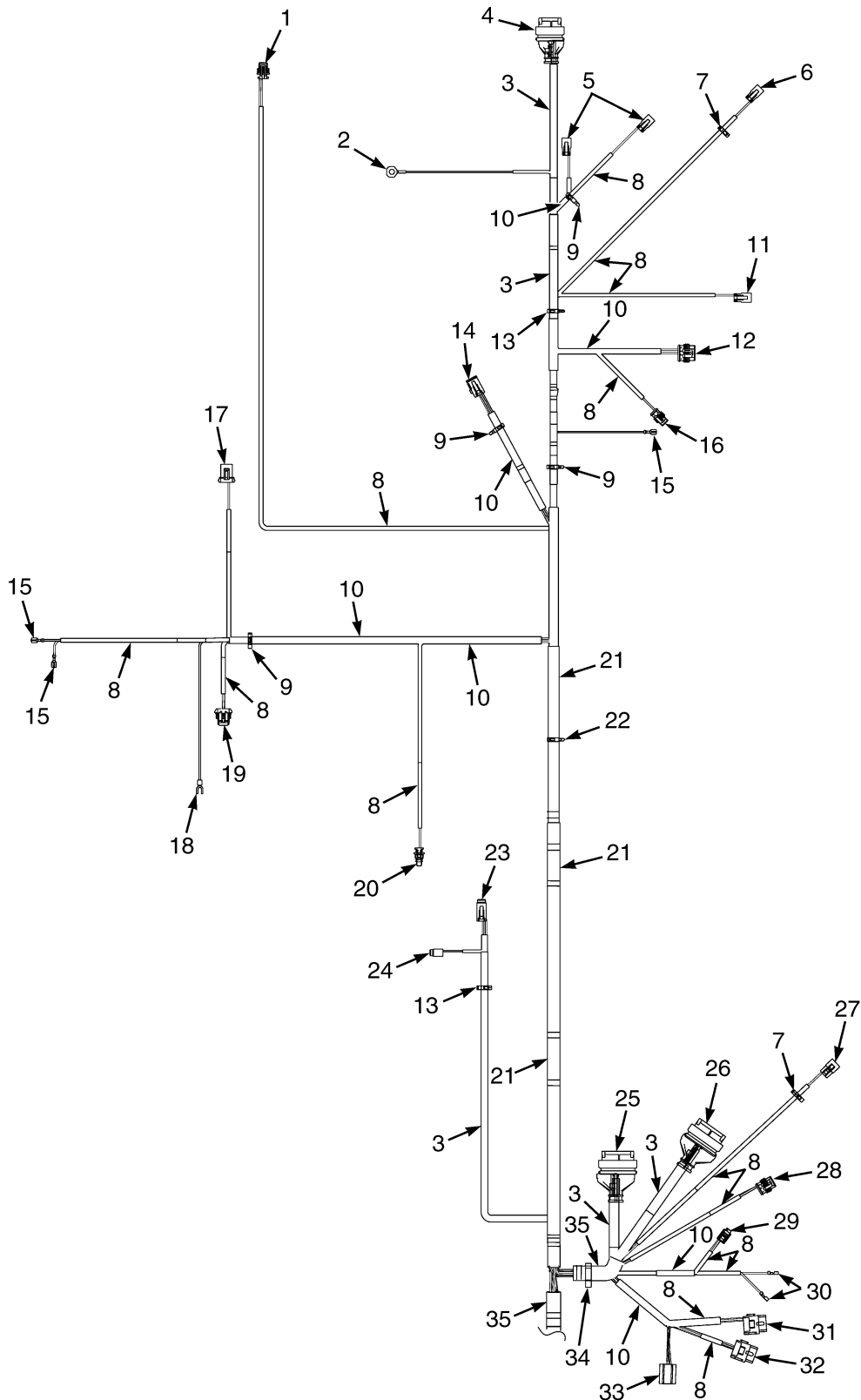
## WIRE HARNESS

MAIN WITH MANUAL HYDRAULICS – SHEET 2 OF 2 (→ S/N A276B03242K (LONG WHEEL BASE))  
(→ S/N A276B03248K (SHORT WHEEL BASE))

ITEM	PART NO.	DESCRIPTION	QTY
15	137852	Strap Clamp .....	1
15	1561019		
	2035276	Connector (Socket Female) .....	14
15	2068741	Plug .....	9
16	275497	Conduit .....	AR
17	1534329	Clip .....	1
18	.....	Connector Assembly (Park Brake Diode) .....	1
18	1330421	Connector (4 Soc) .....	1
18	137852	Strap Clamp .....	1
18	1330427	Connector (Secondary Lock) .....	1
18	1597773	Terminal .....	4
19	.....	Connector Assembly (Accumulator Pressure Switch) .....	1
19	1329150	Connector .....	1
19	1329151	Terminal .....	1
19	1323579	Seal .....	2
19	1329149	Terminal .....	2
20	.....	Connector Assembly (Park Brake Solenoid) .....	1
20	1490242	Connector (2 Way) .....	1
20	1490243	Connector (Secondary Lock) .....	1
20	1597773	Terminal .....	2
21	1500900	Clip .....	1
22	275496	Conduit .....	1
23	1402815	Clip .....	1
24	.....	Connector Assembly (Display Harness) .....	1
24	1541991	Connector .....	1
24	1541992	Connector .....	1
24	1463141	Terminal (Socket) .....	7
24	1484377	Plug .....	1



## WIRE HARNESS (FIGURE 2-24) MAIN WITH ELECTRONIC HYDRAULICS — SHEET 1 OF 2 (→ S/N A276B03242K (LONG WHEEL BASE)) (→ S/N A276B03248K (SHORT WHEEL BASE))



BP080852

**WIRE HARNESS**

**MAIN WITH ELECTRONIC HYDRAULICS – SHEET 1 OF 2 (→ S/N A276B03242K (LONG WHEEL BASE))  
(→ S/N A276B03248K (SHORT WHEEL BASE))**

ITEM	PART NO.	DESCRIPTION	QTY
	2111718	Wire Harness (Main) .....	1
1	.....	Connector Assembly (Steer Axle Sensor) .....	1
1	1673825	Connector .....	1
1	1673826	Terminal .....	3
1	1673840	Seal .....	3
2	1402620	Ring Terminal .....	1
3	275495	Conduit .....	AR
4	.....	Connector Assembly (Pump Motor Controller) .....	1
4	137852	Strap Clamp .....	1
4	1561019	.....	
	2035276	Connector (Socket Female) .....	14
4	2068741	Plug .....	9
4	2035275	Connector .....	1
4	4600244	Cover (Connector) .....	2
5	.....	Connector Assembly (Fan) .....	2
5	1490242	Connector (2 Way) .....	1
5	1490243	Connector (Secondary Lock) .....	1
5	1597773	Terminal .....	2
6	.....	Connector Assembly (Battery Gate Magnetic Switch) .....	1
6	1490242	Connector (2 Way) .....	1
6	1490243	Connector (Secondary Lock) .....	1
6	1597773	Terminal .....	2
7	1402816	Clip .....	2
8	275493	Conduit .....	AR
9	1500901	Clip .....	4
10	275494	Conduit .....	AR
11	.....	Connector Assembly (Overhead Guard Horn Switch) .....	1
11	1330419	Connector .....	1
11	1330424	Connector (Secondary Lock) .....	1
11	1597773	Terminal .....	2
12	.....	Connector Assembly (Pump Motor Speed Sensor) .....	1
12	1508211	Connector (4 Way) .....	1
12	1597839	Receptacle Contact 20-22 AWG .....	4
12	2060555	Wire Seal .....	4
13	1402815	Clip .....	4
14	.....	Connector Assembly (Seat Harness) .....	1
14	1351068	Connector .....	1
14	1351069	Connector .....	1
14	1484377	Plug .....	1
14	1597773	Terminal .....	2
15	248196	Terminal .....	1
16	.....	Connector Assembly (Pump Motor Temperature Sensor) .....	1
16	1508206	Connector (2 Way) .....	1
16	1597839	Receptacle Contact 20-22 AWG .....	2
16	2060555	Wire Seal .....	2
17	.....	Connector Assembly (Hydraulic Filter Pressure Sensor) .....	1
17	1329151	Terminal .....	1
17	1330281	Terminal .....	2
17	1402888	Seal .....	2

## WIRE HARNESS

MAIN WITH ELECTRONIC HYDRAULICS – SHEET 1 OF 2 (→ S/N A276B03242K (LONG WHEEL BASE))  
(→ S/N A276B03248K (SHORT WHEEL BASE))

ITEM	PART NO.	DESCRIPTION	QTY
17	1329152	Plug .....	1
17	137852	Strap Clamp .....	1
18	2007554	E-Spade .....	1
19	.....	Connector Assembly (Hydraulic Oil Level Sensor) .....	1
19	1330355	Terminal .....	3
19	1476067	Connector .....	1
19	137852	Strap Clamp .....	1
19	1476109	Connector Lock .....	1
19	1476108	Wire Seal .....	3
20	.....	Connector Assembly (Hydraulic Oil Temperature Sensor) .....	1
20	1547480	Connector (2 Way) .....	1
20	1674376	Terminal .....	2
20	1673840	Seal .....	2
21	275496	Conduit .....	AR
22	1500900	Clip .....	1
23	.....	Connector Assembly (Steer Harness) .....	1
23	1541992	Connector .....	1
23	1463141	Terminal (Socket) .....	7
23	1484377	Plug .....	1
23	1541991	Connector .....	1
24	.....	Connector Assembly (Synchronous Steer Harness) .....	1
24	1484557	Connector (2 Socket) .....	1
24	1541992	Connector .....	1
24	1484558	Connector (Secondary Lock) .....	1
24	1597773	Terminal .....	2
25	.....	Connector Assembly (VSM) .....	1
25	2056243	Connector (35 Way) .....	1
25	4600243	Cover .....	2
25	137852	Strap Clamp .....	1
25	1561019	.....	.....
25	2035276	Connector (Socket Female) .....	21
25	2068741	Plug .....	14
26	.....	Connector Assembly (VSM) .....	1
26	1553094	Connector .....	1
26	4600243	Cover .....	2
26	137852	Strap Clamp .....	1
26	1561019	.....	.....
26	2035276	Connector (Socket Female) .....	25
26	2068741	Plug .....	10
27	.....	Connector Assembly (Tilt Position Sensor) .....	1
27	1484397	Connector (3-Way) .....	1
27	137852	Strap Clamp .....	1
27	1463194	Connector (Secondary Lock) .....	1
27	1597773	Terminal .....	3
28	.....	Connector Assembly (Horn) .....	1
28	1547629	Connector (3 Way) .....	1
28	1508232	Terminal (Pin) .....	2
28	1597839	Receptacle Contact 20-22 AWG .....	1
28	2060555	Wire Seal .....	3

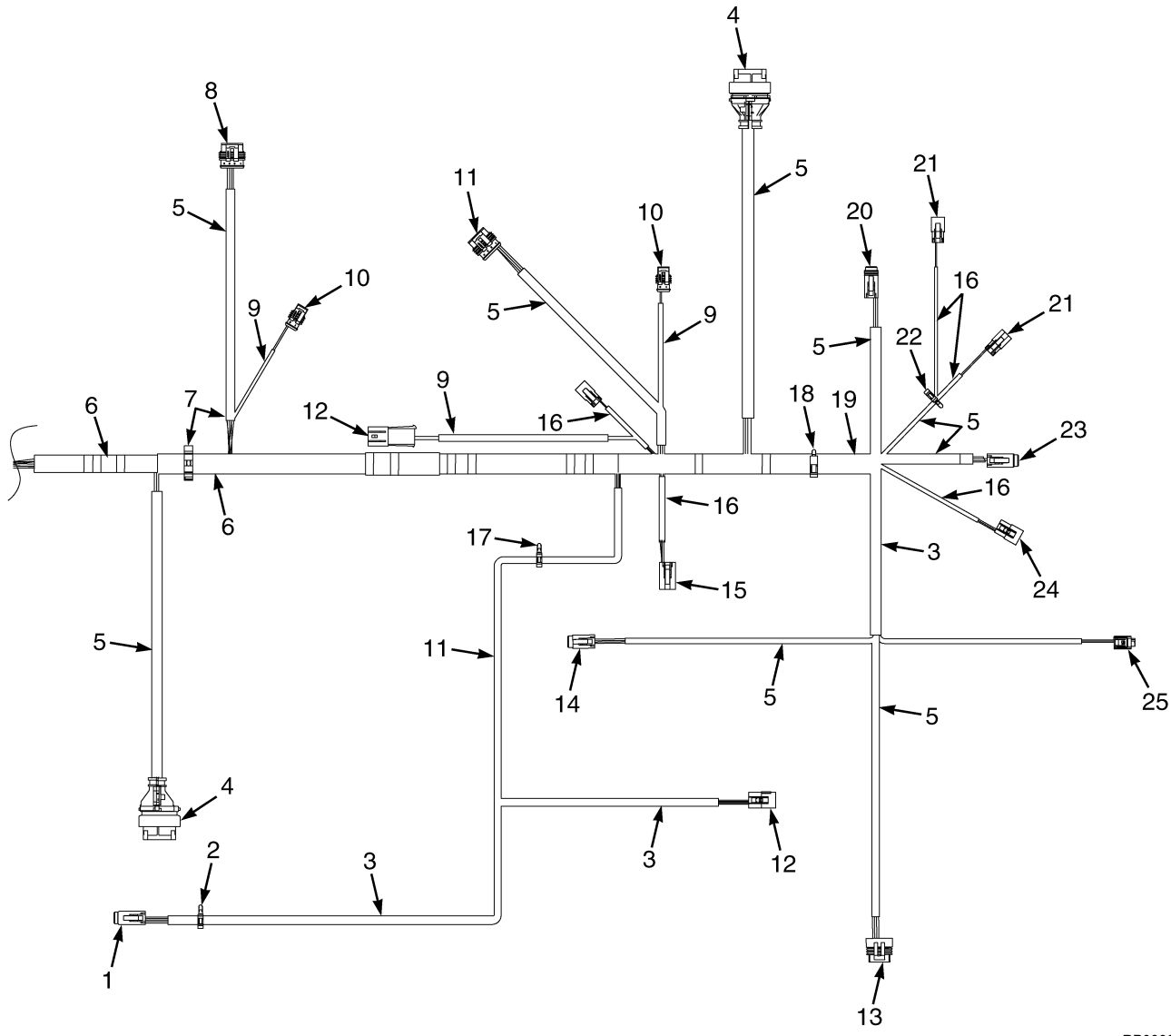


**WIRE HARNESS**

**MAIN WITH ELECTRONIC HYDRAULICS – SHEET 1 OF 2 (→ S/N A276B03242K (LONG WHEEL BASE))  
(→ S/N A276B03248K (SHORT WHEEL BASE))**

ITEM	PART NO.	DESCRIPTION	QTY
29	.....	Connector Assembly (Service Break Pressure Sensor) .....	1
29	1525595	Connector .....	1
29	1525596	Terminal .....	3
29	1533810	Seal .....	3
30	.....	Connector Assembly (Brake Fluid Level) .....	2
30	1324309	Sleeve .....	1
30	1324310	Terminal .....	1
31	.....	Connector Assembly (Synchronous Steer Valve Relay) .....	1
31	2100204	Receptacle .....	1
31	1689606	Terminal .....	4
32	.....	Connector Assembly (Electronic Hydraulic Enable Relay) .....	1
32	2100204	Receptacle .....	1
32	1689606	Terminal .....	4
33	.....	Connector Assembly (Key Switch Relay) .....	1
33	1377860	Connector .....	1
33	1377868	Receptacle .....	2
33	1655183	Terminal .....	2
34	1402817	Clip .....	1
35	275498	Conduit .....	AR

## WIRE HARNESS (FIGURE 2-25) MAIN WITH ELECTRONIC HYDRAULICS — SHEET 2 OF 2 (→ S/N A276B03242K (LONG WHEEL BASE)) (→ S/N A276B03248K (SHORT WHEEL BASE))



BP080853

**WIRE HARNESS**

**MAIN WITH ELECTRONIC HYDRAULICS – SHEET 2 OF 2 (→ S/N A276B03242K (LONG WHEEL BASE))  
(→ S/N A276B03248K (SHORT WHEEL BASE))**

ITEM	PART NO.	DESCRIPTION	QTY
	2111718	Wire Harness (Main) .....	1
1	.....	Connector Assembly (Display Harness) .....	1
1	1541991	Connector .....	1
1	1541992	Connector .....	1
1	1463141	Terminal (Socket) .....	7
1	1484377	Plug .....	1
2	1402815	Clip .....	1
3	275495	Conduit .....	AR
4	.....	Connector Assembly (Traction Motor Controller) .....	2
4	2035275	Connector .....	1
4	4600244	Cover (Connector) .....	2
4	137852	Strap Clamp .....	1
4	1561019	Connector (Socket Female) .....	14
4	2068741	Plug .....	9
5	275494	Conduit .....	AR
6	275498	Conduit .....	AR
7	1402817	Clip .....	1
8	.....	Connector Assembly (Left Hand Traction Motor Speed Sensor) .....	1
8	1508211	Connector (4 Way) .....	1
8	1597839	Receptacle Contact 20-22 AWG .....	4
8	2060555	Wire Seal .....	4
9	1655195	Conduit .....	AR
10	.....	Connector Assembly (Traction Motor Temperature Sensor) .....	2
10	1508206	Connector (2 Way) .....	1
10	1597839	Receptacle Contact 20-22 AWG .....	2
10	2060555	Wire Seal .....	2
11	275496	Conduit .....	AR
12	.....	Connector Assembly (Light Harness) .....	1
12	1330423	Connector (8 Socket) .....	1
12	1330429	Connector .....	1
12	1597773	Terminal .....	8
13	.....	Connector Assembly (Accelerator Pedal Position Sensor) .....	1
13	1525584	Connector .....	1
13	1532571	Terminal .....	6
14	.....	Connector Assembly (Direction Select Sensor) .....	1
14	1463189	Connector .....	1
14	1463196	Connector .....	1
14	1525596	Terminal .....	4
15	.....	Connector Assembly (Park Brake Diode) .....	4
15	1530421	Converter Housing .....	1
15	137852	Strap Clamp .....	1
15	1330427	Connector (Secondary Lock) .....	1
15	1597773	Terminal .....	4
16	275493	Conduit .....	AR
17	1500900	Clip .....	1
18	1534329	Clip .....	1
19	275497	Conduit .....	AR
20	.....	Connector Assembly (Electronic Hydraulic Valve Upper Coils) .....	1

## WIRE HARNESS

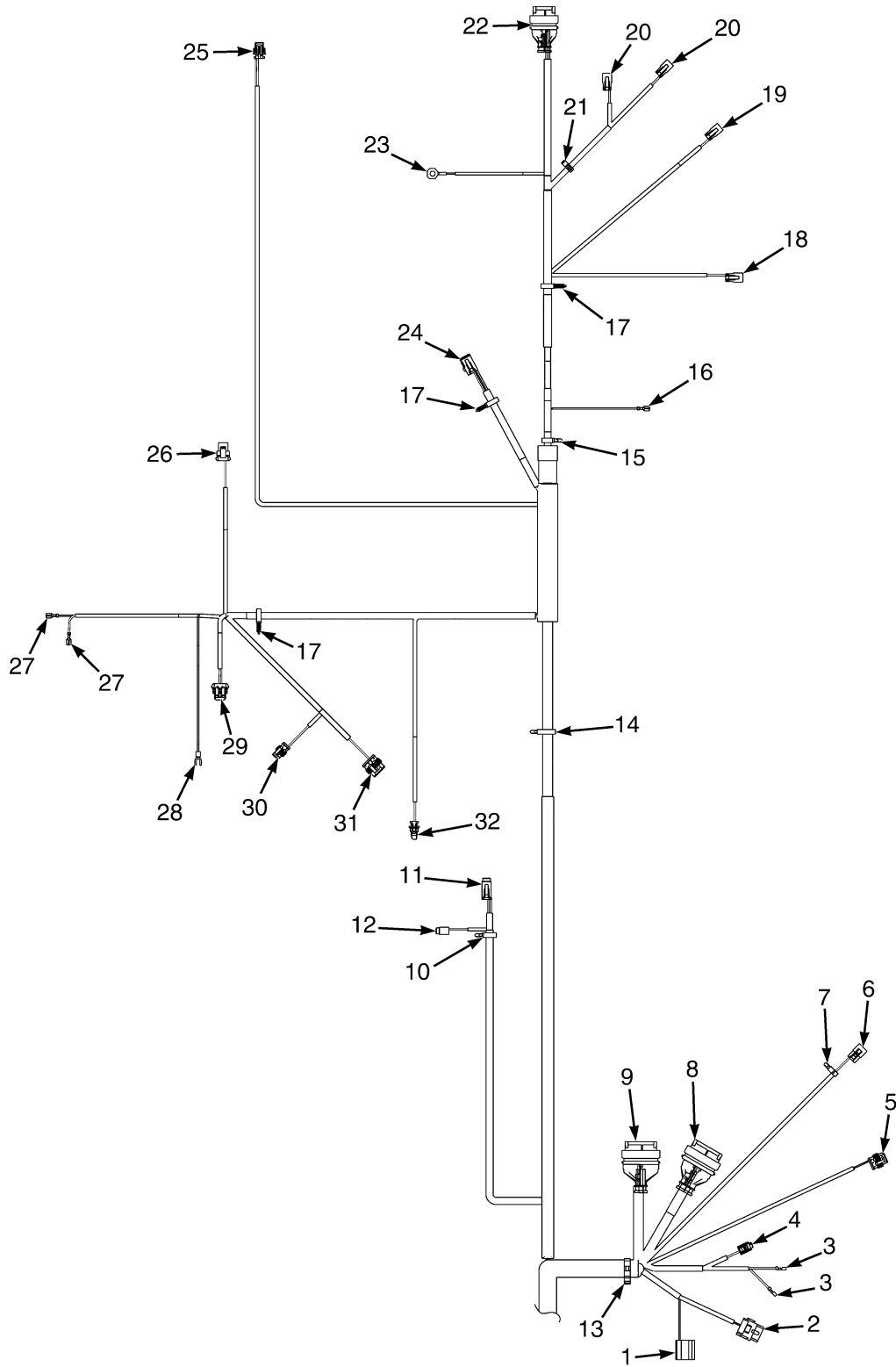
MAIN WITH ELECTRONIC HYDRAULICS – SHEET 2 OF 2 (→ S/N A276B03242K (LONG WHEEL BASE))  
(→ S/N A276B03248K (SHORT WHEEL BASE))

ITEM	PART NO.	DESCRIPTION	QTY
20	1541991	Connector .....	1
20	1541992	Connector .....	1
20	1463141	Terminal (Socket) .....	8
21	.....	Connector Assembly (Fan) .....	2
21	1597773	Terminal .....	2
21	1490242	Connector (2 Way) .....	1
21	1490243	Connector (Secondary Lock) .....	1
22	1500901	Clip .....	1
23	.....	Connector Assembly (Electronic Hydraulic Valve Lower Coils) .....	1
23	1655172	Connector .....	1
23	1541992	Connector .....	1
23	1463141	Terminal (Socket) .....	8
24	.....	Connector Assembly (Park Brake Position Sensor) .....	1
24	1484397	Connector (3-Way) .....	1
24	1463194	Connector (Secondary Lock) .....	1
24	1597773	Terminal .....	3
25	.....	Connector Assembly (Lift Pressure) .....	1
25	1525595	Connector .....	1
25	137852	Strap Clamp .....	1
25	1525596	Terminal .....	3
25	1533810	Seal .....	3



**WIRE HARNESS (FIGURE 2-26)**

**MAIN WITH ELECTRONIC HYDRAULICS — SHEET 1 OF 2 (S/N A276B03243K → (LONG WHEEL BASE))  
(S/N A276B03249K → (SHORT WHEEL BASE))**



BP081352

## WIRE HARNESS

MAIN WITH ELECTRONIC HYDRAULICS – SHEET 1 OF 2 (S/N A276B03243K → (LONG WHEEL BASE))  
(S/N A276B03249K → (SHORT WHEEL BASE))

ITEM	PART NO.	DESCRIPTION	QTY
	4616719	Wire Harness (Main with Electronic Hydraulics) .....	1
1	.....	Connector Assembly (Key Switch Relay) .....	1
1	1377860	Connector .....	1
1	1377868	Receptacle .....	2
1	1655183	Terminal .....	2
2	.....	Connector Assembly (Hydraulic Enable Relay) .....	1
2	2100204	Receptacle .....	1
2	1689606	Terminal .....	4
3	.....	Connector Assembly (Brake Fluid Level) .....	2
3	1324309	Sleeve .....	1
3	1324310	Terminal .....	1
4	.....	Connector Assembly (Service Brake Press Sensor) .....	1
4	1525595	Connector .....	1
4	1525596	Terminal .....	3
4	1533810	Seal .....	3
5	.....	Connector Assembly (Horn Assembly) .....	1
5	1547629	Connector (3 Way) .....	1
5	1508232	Terminal (Pin) .....	2
5	1597839	Receptacle Contact 20-22 AWG .....	1
5	2060555	Wire Seal .....	3
6	.....	Connector Assembly (Tilt Position Sensor) .....	1
6	1484397	Connector (3-Way) .....	1
6	137852	Strap Clamp .....	1
6	1463194	Connector (Secondary Lock) .....	1
6	1597773	Terminal .....	3
7	1402816	Clip .....	1
8	.....	Connector Assembly (VSM) .....	1
8	1553094	Connector .....	1
8	4600243	Cover .....	2
8	137852	Strap Clamp .....	1
8	1561019	Connector (Socket Female) .....	24
8	2068741	Plug .....	11
9	.....	Connector Assembly (VSM) .....	1
9	2056243	Connector (35 Way) .....	1
9	4600243	Cover .....	2
9	137852	Strap Clamp .....	1
9	1561019	Connector (Socket Female) .....	22
9	2068741	Plug .....	13
10	1402815	Clip .....	1
11	.....	Connector Assembly (Steering Harness) .....	1
11	1541991	Connector .....	1
11	1541992	Connector .....	1
11	1463141	Terminal (Socket) .....	7
11	1484377	Plug .....	1
12	.....	Connector Assembly (Synchronous Steering Harness) .....	1
12	1484557	Connector (2 Socket) .....	1
12	137852	Strap Clamp .....	1



**WIRE HARNESS**

**MAIN WITH ELECTRONIC HYDRAULICS – SHEET 1 OF 2 (S/N A276B03243K → (LONG WHEEL BASE))  
(S/N A276B03249K → (SHORT WHEEL BASE))**

ITEM	PART NO.	DESCRIPTION	QTY
12	1484558	Connector (Secondary Lock) .....	1
12	1597773	Terminal .....	2
13	1534282	Clip .....	1
14	1500899	Clip .....	1
15	1500901	Clip .....	1
16	248196	Terminal (ESD Truck Frame) .....	1
17	1509890	Clip .....	3
18	.....	Connector Assembly (OHG Horn Switch) .....	1
18	1330419	Connector .....	1
18	137852	Strap Clamp .....	1
18	1330424	Connector (Secondary Lock) .....	1
18	1597773	Terminal .....	2
19	.....	Connector Assembly (Battery Gate Mag Switch) .....	1
19	1490242	Connector (2 Way) .....	1
19	1490243	Connector (Secondary Lock) .....	1
19	1597773	Terminal .....	2
20	.....	Connector Assembly (Fan) .....	2
20	1490242	Connector (2 Way) .....	1
20	1490243	Connector (Secondary Lock) .....	1
20	1597773	Terminal .....	2
21	1509888	Clip .....	1
22	.....	Connector Assembly (Pump Motor Controller) .....	1
22	2035275	Connector .....	1
22	4600244	Cover (Connector) .....	2
22	137852	Strap Clamp .....	1
22	1561019	Connector (Socket Female) .....	14
22	2068741	Plug .....	9
23	1402620	Ring Terminal (Negative Terminal Traction Controller) .....	1
24	.....	Connector Assembly (Seat Harness) .....	1
24	1351068	Connector .....	1
24	1351069	Connector .....	1
24	1484377	Plug .....	1
24	1597773	Terminal .....	11
25	.....	Connector Assembly (Steering Axle Sensor) .....	1
25	1673825	Connector .....	1
25	1673826	Terminal .....	3
25	1673840	Seal .....	3
26	.....	Connector Assembly (Hydraulic Filter Pressure Switch) .....	1
26	1329152	Plug .....	1
26	137852	Strap Clamp .....	1
26	1329151	Terminal .....	1
26	1330281	Terminal .....	2
26	1402888	Seal .....	2
27	248196	Terminal (MN Contractor Coil) .....	2
28	2007554	E-Spade (FUJ) .....	1
29	.....	Connector Assembly (Hydraulic Oil Level Sensor) .....	1
29	1476067	Connector .....	1
29	137852	Strap Clamp .....	1

## WIRE HARNESS

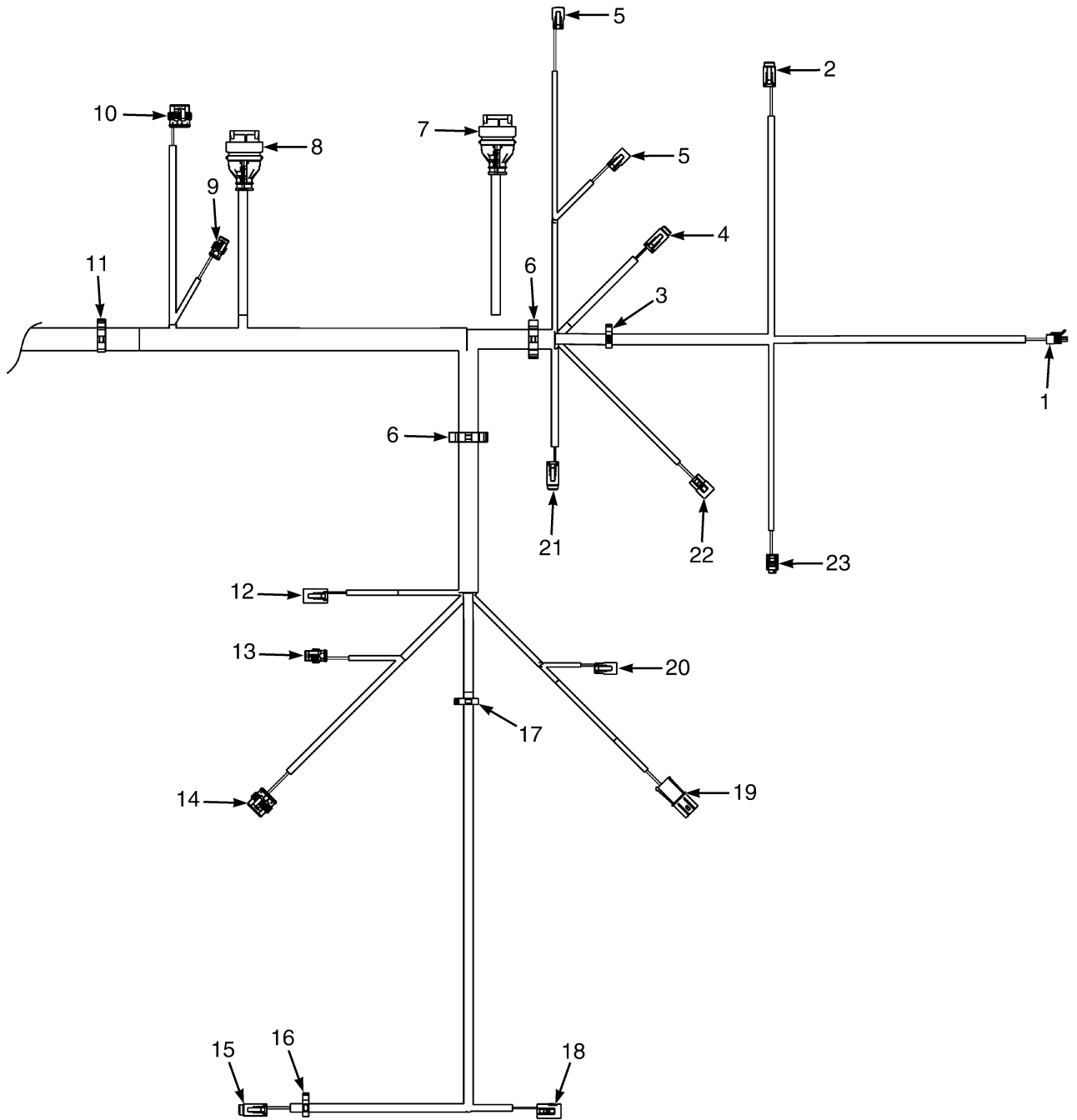
MAIN WITH ELECTRONIC HYDRAULICS – SHEET 1 OF 2 (S/N A276B03243K → (LONG WHEEL BASE))  
(S/N A276B03249K → (SHORT WHEEL BASE))

ITEM	PART NO.	DESCRIPTION	QTY
29	1476109	Connector Lock .....	1
29	1330355	Terminal .....	3
29	1476108	Wire Seal .....	3
30	.....	Connector Assembly (Pump Motor Temperature Sensor) .....	1
30	1508206	Connector (2 Way) (Pump Motor Speed Sensor) .....	1
30	1597839	Receptacle Contact 20-22 AWG .....	2
30	2060555	Wire Seal .....	2
31	.....	Connector Assembly (Pump Motor Speed Sensor) .....	1
31	1508211	Connector (4 Way) .....	1
31	1597839	Receptacle Contact 20-22 AWG .....	4
31	2060555	Wire Seal .....	4
32	.....	Connector Assembly (Hydraulic Oil Temperature Sensor) .....	1
32	1547480	Connector (2 Way) .....	1
32	1674376	Terminal .....	2
32	1673840	Seal .....	2



**WIRE HARNESS (FIGURE 2-27)**

**MAIN WITH ELECTRONIC HYDRAULICS — SHEET 2 OF 2 (S/N A276B03243K → (LONG WHEEL BASE))  
(S/N A276B03249K → (SHORT WHEEL BASE))**



BP081353

## WIRE HARNESS

MAIN WITH ELECTRONIC HYDRAULICS – SHEET 2 OF 2 (S/N A276B03243K → (LONG WHEEL BASE))  
(S/N A276B03249K → (SHORT WHEEL BASE))

ITEM	PART NO.	DESCRIPTION	QTY
	4616719	Wire Harness (Main with Electronic Hydraulics) .....	1
1	.....	Connector Assembly (Accelerator Pedal Position Sensor) .....	1
1	1525584	Connector .....	1
1	1532571	Terminal .....	6
2	.....	Connector Assembly (Direction Selection Sensor) .....	1
2	1463189	Connector .....	1
2	1463196	Connector .....	1
2	1463141	Terminal (Socket) .....	4
3	1509890	Clip .....	1
4	.....	Connector Assembly (Electronic Hydraulics VL Up Coils) .....	1
4	1541991	Connector .....	1
4	1541992	Connector .....	1
4	1463141	Terminal (Socket) .....	8
5	.....	Connector Assembly (Fan) .....	2
5	1490242	Connector (2 Way) .....	1
5	1490243	Connector (Secondary Lock) .....	1
5	1597773	Terminal .....	2
6	1402817	Clip .....	2
7	.....	Connector Assembly (RH Traction Motor Controller) .....	1
7	2035275	Connector .....	1
7	4600244	Cover (Connector) .....	2
7	137852	Strap Clamp .....	1
7	1561019	.....	
	2035276	Connector (Socket Female) .....	15
7	2068741	Plug .....	8
8	.....	Connector Assembly (LH Traction Motor Controller) .....	1
8	2035275	Connector .....	1
8	4600244	Cover (Connector) .....	2
8	137852	Strap Clamp .....	1
8	1561019	.....	
	2035276	Connector (Socket Female) .....	14
8	2068741	Plug .....	9
9	.....	Connector Assembly (LH Traction Motor Temperature Sensor) .....	1
9	1508206	Connector (2 Way) .....	1
9	1597839	Receptacle Contact 20-22 AWG .....	2
9	2060555	Wire Seal .....	2
10	.....	Connector Assembly (LH Traction Motor Speed Sensor) .....	1
10	1508211	Connector (4 Way) .....	1
10	1597839	Receptacle Contact 20-22 AWG .....	4
10	2060555	Wire Seal .....	4
11	1534282	Clip .....	1
12	.....	Connector Assembly (Park Brake Diode) .....	1
12	1330421	Connector (4 Soc) .....	1
12	137852	Strap Clamp .....	1
12	1330427	Connector (Secondary Lock) .....	1
12	1597773	Terminal .....	4
13	.....	Connector Assembly (RH Traction Motor Temperature Sensor) .....	1
13	1508206	Connector (2 Way) .....	1
13	1597839	Receptacle Contact 20-22 AWG .....	2

**WIRE HARNESS**

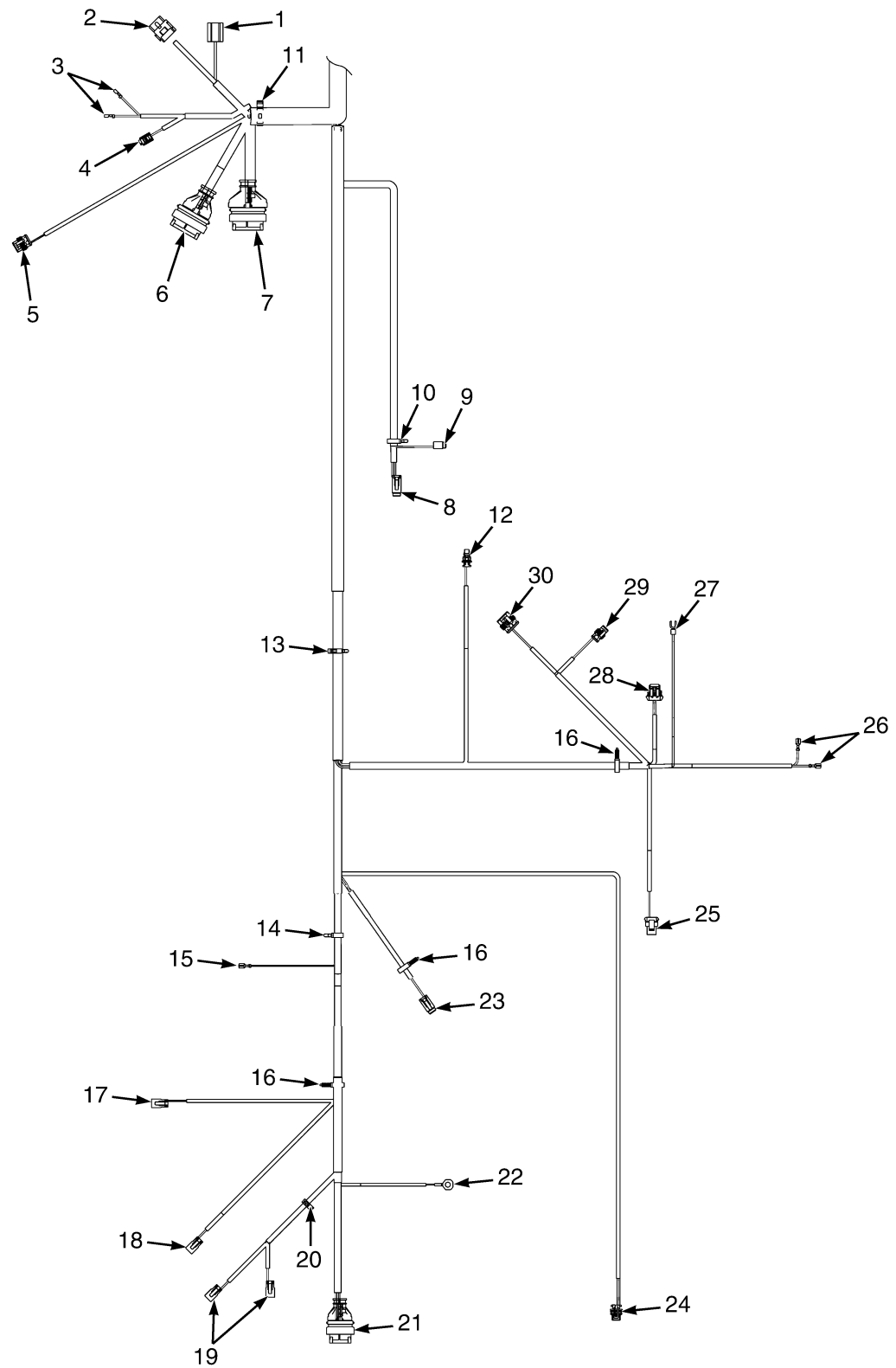
**MAIN WITH ELECTRONIC HYDRAULICS – SHEET 2 OF 2 (S/N A276B03243K → (LONG WHEEL BASE))  
(S/N A276B03249K → (SHORT WHEEL BASE))**

ITEM	PART NO.	DESCRIPTION	QTY
13	2060555	Wire Seal .....	2
14	.....	Connector Assembly (RH Traction Motor Speed Sensor) .....	1
14	1508211	Connector (4 Way) .....	1
14	1597839	Receptacle Contact 20-22 AWG .....	4
14	2060555	Wire Seal .....	4
15	.....	Connector Assembly (Display Harness) .....	1
15	1541991	Connector .....	1
15	1541992	Connector .....	1
15	1463141	Terminal (Socket) .....	1
15	1484377	Plug .....	1
16	1402815	Clip .....	1
17	1500900	Clip .....	1
18	.....	Connector Assembly (Light Harness) .....	1
18	1330423	Connector (8 Socket) .....	1
18	1330429	Connector .....	1
18	1597773	Terminal .....	8
19	.....	Connector Assembly (Accumulator Press Switch) .....	1
19	1329150	Connector .....	1
19	1329151	Terminal .....	1
19	1329149	Terminal .....	2
19	1323579	Seal .....	2
20	.....	Connector Assembly (Park Brake Sol) .....	1
20	1490242	Connector (2 Way) .....	1
20	1490243	Connector (Secondary Lock) .....	1
20	1597773	Terminal .....	2
21	.....	Connector Assembly (Electronic Hydraulics VL Lower Coils) .....	1
21	1655172	Connector .....	1
21	1541992	Connector .....	1
21	1463141	Terminal (Socket) .....	8
22	.....	Connector Assembly (Park Brake Position Sensor) .....	1
22	1484397	Connector (3-Way) .....	1
22	1463194	Connector (Secondary Lock) .....	1
22	1597773	Terminal .....	3
23	.....	Connector Assembly (Lift Press) .....	1
23	1525595	Connector .....	1
23	137852	Strap Clamp .....	1
23	1525596	Terminal .....	3
23	1533810	Seal .....	3

**WIRE HARNESS (FIGURE 2-28)**

**MAIN WITH MANUAL HYDRAULICS — SHEET 1 OF 2 (S/N A276B03243K → (LONG WHEEL BASE))  
(S/N A276B03249K → (SHORT WHEEL BASE))**





BP081354

## WIRE HARNESS

MAIN WITH MANUAL HYDRAULICS – SHEET 1 OF 2 (S/N A276B03243K → (LONG WHEEL BASE))  
(S/N A276B03249K → (SHORT WHEEL BASE))

ITEM	PART NO.	DESCRIPTION	QTY
	4617778	Wire Harness (Main with Manual Hydraulics) .....	1
1	.....	Connector Assembly (Key Switch Relay) .....	1
1	1377860	Connector .....	1
1	1377868	Receptacle .....	2
1	1655183	Terminal .....	2
2	.....	Connector Assembly (Hydraulic Enable Relay) .....	1
2	2100204	Receptacle .....	1
2	1689606	Terminal .....	4
3	.....	Connector Assembly (Brake Fluid Level) .....	2
3	1324309	Sleeve .....	1
3	1324310	Terminal .....	1
4	.....	Connector Assembly (Service Brake Press Sensor) .....	1
4	1525595	Connector .....	1
4	1525596	Terminal .....	3
4	1533810	Seal .....	3
5	.....	Connector Assembly (Horn Assembly) .....	1
5	1547629	Connector (3 Way) .....	1
5	1508232	Terminal (Pin) .....	2
5	1597839	Receptacle Contact 20-22 AWG .....	1
5	2060555	Wire Seal .....	3
6	.....	Connector Assembly (VSM) .....	1
6	1553094	Connector .....	1
6	4600243	Cover .....	2
6	137852	Strap Clamp .....	1
6	1561019	.....	
	2035276	Connector (Socket Female) .....	18
6	2068741	Plug .....	17
7	.....	Connector Assembly (VSM) .....	1
7	2056243	Connector (35 Way) .....	1
7	4600243	Cover .....	2
7	137852	Strap Clamp .....	1
7	1561019	.....	
	2035276	Connector (Socket Female) .....	26
7	2068741	Plug .....	9
8	.....	Connector Assembly (Steering Harness) .....	1
8	1541991	Connector .....	1
8	1541992	Connector .....	1
8	1463141	Terminal (Socket) .....	7
8	1484377	Plug .....	1
9	.....	Connector Assembly (Synchronous Steering Harness) .....	1
9	1484557	Connector (2 Socket) .....	1
9	137852	Strap Clamp .....	1
9	1484558	Connector (Secondary Lock) .....	1
9	1463141	Terminal (Socket) .....	2
10	1402815	Clip .....	1
11	1534282	Clip .....	1
12	.....	Connector Assembly (Hydraulic Oil Temperature Sensor) .....	1
12	1547480	Connector (2 Way) .....	1
12	1674376	Terminal .....	2

**WIRE HARNESS**  
**MAIN WITH MANUAL HYDRAULICS – SHEET 1 OF 2 (S/N A276B03243K → (LONG WHEEL BASE))**  
**(S/N A276B03249K → (SHORT WHEEL BASE))**

ITEM	PART NO.	DESCRIPTION	QTY
12	1673840	Seal .....	2
13	1500899	Clip .....	1
14	1500901	Clip .....	1
15	248196	Terminal (ESD Truck Frame) .....	1
16	1509890	Clip .....	3
17	.....	Connector Assembly (OHG Horn Switch) .....	1
17	1330419	Connector .....	1
17	137852	Strap Clamp .....	1
17	1330424	Connector (Secondary Lock) .....	1
17	1597773	Terminal .....	2
18	.....	Connector Assembly (Battery Gate Mag Switch) .....	1
18	1490242	Connector (2 Way) .....	1
18	1490243	Connector (Secondary Lock) .....	1
18	1597773	Terminal .....	2
19	.....	Connector Assembly (Fan) .....	2
19	1490242	Connector (2 Way) .....	1
19	1490243	Connector (Secondary Lock) .....	1
19	1597773	Terminal .....	2
20	1509888	Clip .....	1
21	.....	Connector Assembly (Pump Motor Controller) .....	1
21	2035275	Connector .....	1
21	4600244	Cover (Connector) .....	2
21	137852	Strap Clamp .....	1
21	4564049	Connector (Socket Female) .....	14
21	2068741	Plug .....	9
22	1402620	Ring Terminal (Negative Terminal Traction Controller) .....	1
23	.....	Connector Assembly (Seat Harness) .....	1
23	1531973	Connector .....	1
23	1531974	Connector .....	1
23	1330439	Plug .....	2
23	1463141	Terminal (Socket) .....	4
24	.....	Connector Assembly (Steering Axle Sensor) .....	1
24	1673825	Connector .....	1
24	1673826	Terminal .....	3
24	1673840	Seal .....	3
25	.....	Connector Assembly (Hydraulic Filter Pressure Switch) .....	1
25	1329152	Plug .....	1
25	137852	Strap Clamp .....	1
25	1329151	Terminal .....	1
25	1330281	Terminal .....	2
25	1402888	Seal .....	2
26	248196	Terminal (MN Contractor Coil) .....	2
27	2007554	E-Spade (FUI) .....	1
28	.....	Connector Assembly (Hydraulic Oil Level Sensor) .....	1
28	1476067	Connector .....	1
28	137852	Strap Clamp .....	1
28	1476109	Connector Lock .....	1
28	1330355	Terminal .....	3

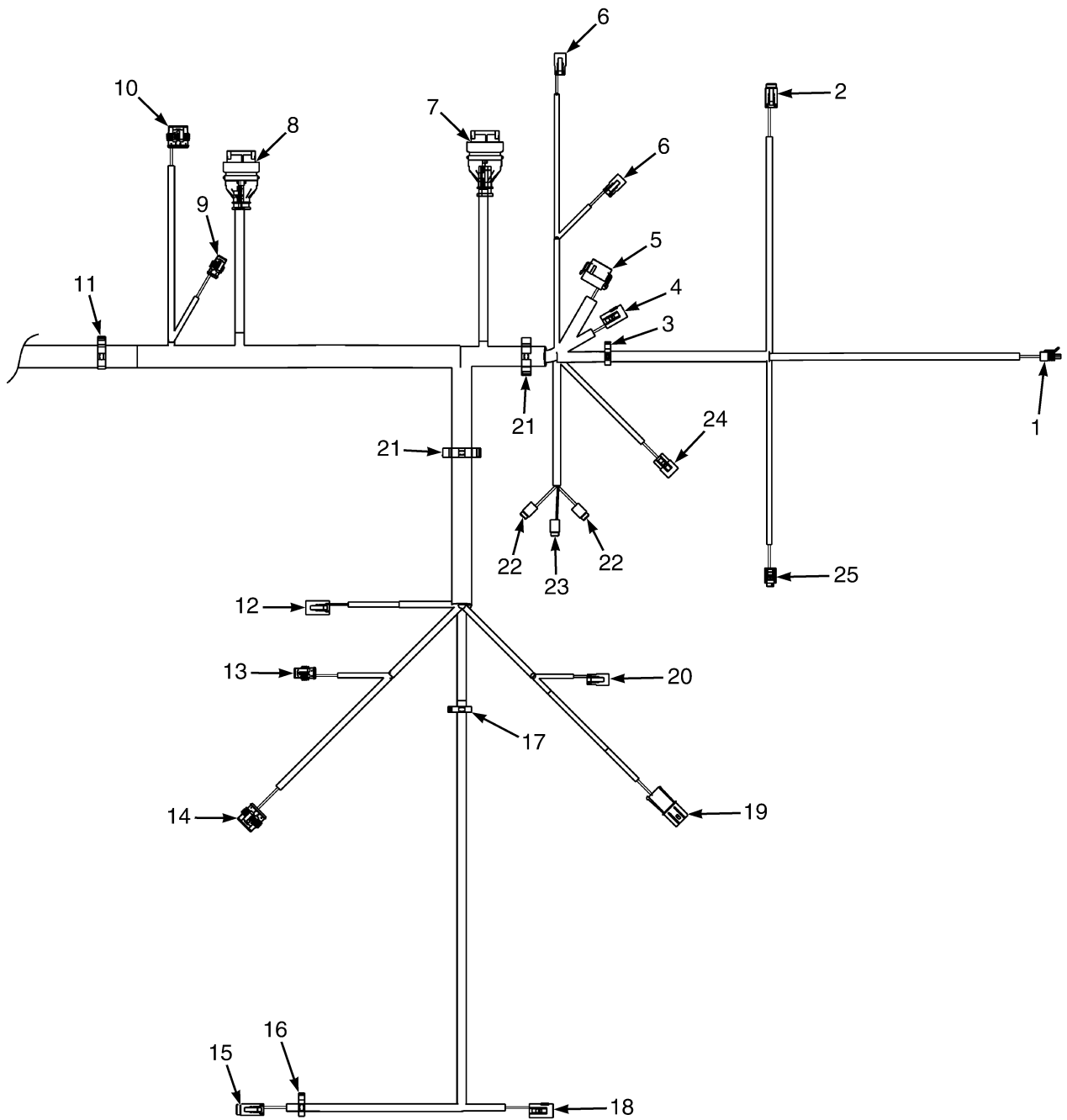
**WIRE HARNESS****MAIN WITH MANUAL HYDRAULICS – SHEET 1 OF 2 (S/N A276B03243K → (LONG WHEEL BASE))  
(S/N A276B03249K → (SHORT WHEEL BASE))**

<b>ITEM</b>	<b>PART NO.</b>	<b>DESCRIPTION</b>	<b>QTY</b>
28	1476108	Wire Seal .....	3
29	.....	Connector Assembly (Pump Motor Temperature Sensor) .....	1
29	1508206	Connector (2 Way) (Pump Motor Speed Sensor) .....	1
29	1597839	Receptacle Contact 20-22 AWG .....	2
29	2060555	Wire Seal .....	2
30	.....	Connector Assembly (Pump Motor Speed Sensor) .....	1
30	1508211	Connector (4 Way) .....	1
30	1597839	Receptacle Contact 20-22 AWG .....	4
30	2060555	Wire Seal .....	4



**WIRE HARNESS (FIGURE 2-29)**

**MAIN WITH MANUAL HYDRAULICS — SHEET 2 OF 2 (S/N A276B03243K → (LONG WHEEL BASE))  
(S/N A276B03249K → (SHORT WHEEL BASE))**



BP081355

## WIRE HARNESS

MAIN WITH MANUAL HYDRAULICS – SHEET 2 OF 2 (S/N A276B03243K → (LONG WHEEL BASE))  
(S/N A276B03249K → (SHORT WHEEL BASE))

ITEM	PART NO.	DESCRIPTION	QTY
	4616719	Wire Harness (Main with Electronic Hydraulics) .....	1
1	.....	Connector Assembly (Accelerator Pedal Position Sensor) .....	1
1	1525584	Connector .....	1
1	1532571	Terminal .....	6
2	.....	Connector Assembly (Direction Selection Sensor) .....	1
2	1463189	Connector .....	1
2	1463196	Connector .....	1
2	1463141	Terminal (Socket) .....	4
3	1509890	Clip .....	1
4	.....	Connector Assembly (Manual Lever Harness) .....	1
4	1330423	Connector (8 Socket) .....	1
4	1330429	Connector .....	1
4	1597773	Terminal .....	8
5	.....	Connector Assembly (Manual Hydraulics Spool Position Sensor) .....	1
5	1525567	Connector .....	1
5	1529046	Connector .....	1
5	1463141	Terminal (Socket) .....	12
6	.....	Connector Assembly (Fan) .....	2
6	1490242	Connector (2 Way) .....	1
6	1490243	Connector (Secondary Lock) .....	1
6	1597773	Terminal .....	2
7	.....	Connector Assembly (RH Traction Motor Controller) .....	1
7	2035275	Connector .....	1
7	4600244	Cover (Connector) .....	2
7	137852	Strap Clamp .....	1
7	1561019	.....	
	2035276	Connector (Socket Female) .....	15
7	2068741	Plug .....	8
8	.....	Connector Assembly (LH Traction Motor Controller) .....	1
8	2035275	Connector .....	1
8	4600244	Cover (Connector) .....	2
8	137852	Strap Clamp .....	1
8	1561019	.....	
	2035276	Connector (Socket Female) .....	14
8	2068741	Plug .....	9
9	.....	Connector Assembly (LH Traction Motor Temperature Sensor) .....	1
9	1508206	Connector (2 Way) .....	1
9	1597839	Receptacle Contact 20-22 AWG .....	2
9	2060555	Wire Seal .....	2
10	.....	Connector Assembly (LH Traction Motor Speed Sensor) .....	1
10	1508211	Connector (4 Way) .....	1
10	1597839	Receptacle Contact 20-22 AWG .....	4
10	2060555	Wire Seal .....	4
11	1534282	Clip .....	1
12	.....	Connector Assembly (Park Brake Diode) .....	1
12	1330421	Connector (4 Soc) .....	1
12	137852	Strap Clamp .....	1
12	1330427	Connector (Secondary Lock) .....	1
12	1597773	Terminal .....	4

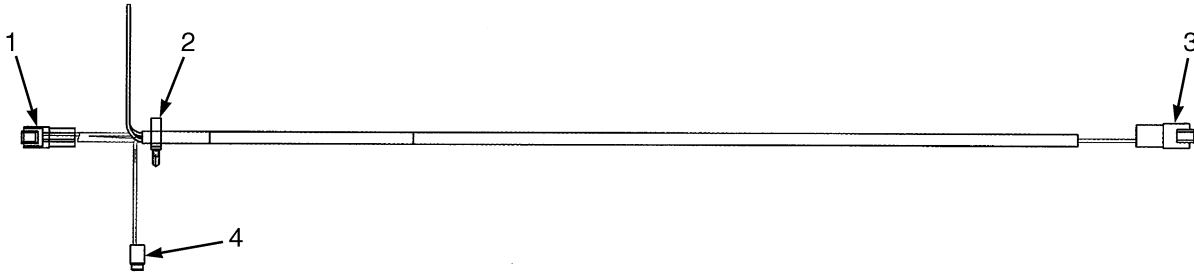


**WIRE HARNESS**

**MAIN WITH MANUAL HYDRAULICS – SHEET 2 OF 2 (S/N A276B03243K → (LONG WHEEL BASE))  
(S/N A276B03249K → (SHORT WHEEL BASE))**

ITEM	PART NO.	DESCRIPTION	QTY
13	.....	Connector Assembly (RH Traction Motor Temperature Sensor) .....	1
13	1508206	Connector (2 Way) .....	1
13	1597839	Receptacle Contact 20-22 AWG .....	2
13	2060555	Wire Seal .....	2
14	.....	Connector Assembly (RH Traction Motor Speed Sensor) .....	1
14	1508211	Connector (4 Way) .....	1
14	1597839	Receptacle Contact 20-22 AWG .....	4
14	2060555	Wire Seal .....	4
15	.....	Connector Assembly (Display Harness) .....	1
15	1541991	Connector .....	1
15	1541992	Connector .....	1
15	1463141	Terminal (Socket) .....	1
15	1484377	Plug .....	1
16	1402815	Clip .....	1
17	1500900	Clip .....	1
18	.....	Connector Assembly (Light Harness) .....	1
18	1330423	Connector (8 Socket) .....	1
18	1330429	Connector .....	1
18	1597773	Terminal .....	8
19	.....	Connector Assembly (Accumulator Press Switch) .....	1
19	1329150	Connector .....	1
19	1329151	Terminal .....	1
19	1329149	Terminal .....	2
19	1323579	Seal .....	2
20	.....	Connector Assembly (Park Brake Sol) .....	1
20	1490242	Connector (2 Way) .....	1
20	1490243	Connector (Secondary Lock) .....	1
20	1597773	Terminal .....	2
21	1402817	Clip .....	2
22	.....	Connector Assembly (Manual Hydraulics Interlock Coils) .....	2
22	1484557	Connector (2 Socket) .....	1
22	1484558	Connector (Secondary Lock) .....	1
22	1463139	Terminal .....	1
22	1463141	Terminal (Socket) .....	1
23	.....	Connector Assembly (Clamp Coil) .....	1
23	1484557	Connector (2 Socket) .....	1
23	1484558	Connector (Secondary Lock) .....	1
23	1463139	Terminal .....	1
23	1463141	Terminal (Socket) .....	1
24	.....	Connector Assembly (Park Brake Position Sensor) .....	1
24	1484397	Connector (3-Way) .....	1
24	1463194	Connector (Secondary Lock) .....	1
24	1597773	Terminal .....	3
25	.....	Connector Assembly (Lift Press) .....	1
25	1525595	Connector .....	1
25	137852	Strap Clamp .....	1
25	1525596	Terminal .....	3
25	1533810	Seal .....	3

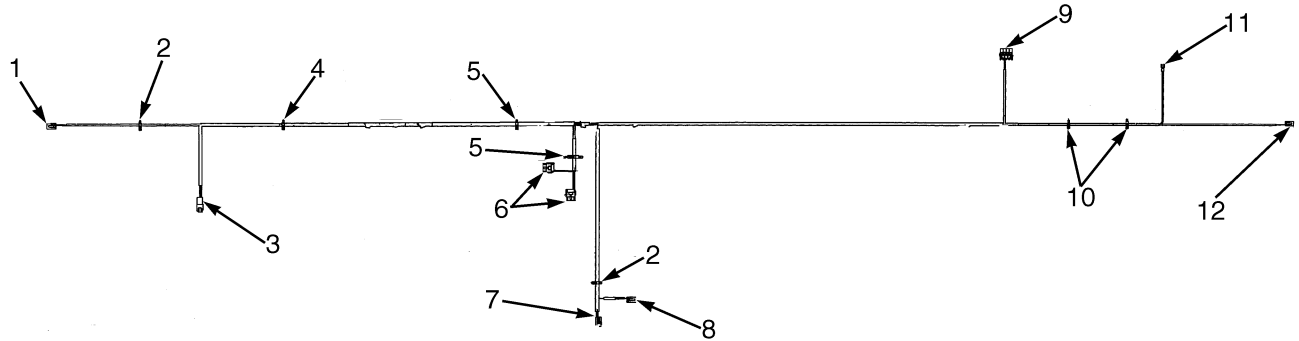
## WIRE HARNESS (FIGURE 2-30) EMERGENCY DISCONNECT



BP080297

ITEM	PART NO.	DESCRIPTION	QTY
	2107661	Wire Harness (Emergency Disconnect) .....	1
1	.....	Connector Assembly (Forward / Reverse Switch) .....	1
1	1463140	Terminal (Pin) .....	4
1	1463193	Connector .....	1
1	1532904	Connector .....	1
2	1402815	Clip .....	1
3	.....	Connector Assembly (To Main Harness) .....	1
3	1330413	Connector (8 Pin) .....	1
3	1330418	Connector (Secondary Lock) .....	1
3	1463140	Terminal (Pin) .....	8
4	.....	Connector Assembly (Clamp Coil Switch) .....	1
4	1463141	Terminal (Socket) .....	2
4	1484558	Connector (Secondary Lock) .....	1
4	1484557	Connector (2 Socket) .....	1

**WIRE HARNESS (FIGURE 2-31)**  
**MAIN LIGHTS CHASSIS (→ S/N A276B03242K (LONG WHEEL BASE))**  
**(→ S/N A276B03248K (SHORT WHEEL BASE))**



BP080247

ITEM	PART NO.	DESCRIPTION	QTY
	2096869	Wire Harness .....	1
1	.....	Connector Assembly (Display / Light Harness) .....	1
1	1330421	Connector (4 Soc) .....	1
1	1330427	Connector (Secondary Lock) .....	1
1	1330438	Terminal (Socket) .....	3
1	1330439	Plug .....	1
2	1500901	Clip .....	1
3	.....	Connector Assembly (Main Harness) .....	1
3	1531312	Terminal .....	6
3	1330439	Plug .....	2
3	1330418	Connector (Secondary Lock) .....	1
3	1330413	Connector (8 Pin) .....	1
4	1402624	Clip .....	1
5	1500899	Clip .....	2
6	.....	Connector Assembly (Reverse Relay) .....	2
6	1689606	Terminal .....	4
6	2100204	Receptacle .....	1
7	.....	Connector Assembly (Light Option Harness) .....	1
7	1330438	Terminal (Socket) .....	8
7	1330429	Connector .....	1
7	1330423	Connector (8 Socket) .....	1
8	.....	Connector Assembly (Light Switch Harness) .....	1
8	1330421	Connector (4 Soc) .....	1
8	1330427	Connector (Secondary Lock) .....	1
8	1330438	Terminal (Socket) .....	4
9	.....	Connector Assembly (DC - DC Converter) .....	1
9	1682736	Terminal .....	4
9	1554879	Connector .....	1
10	1402816	Clip .....	3
11	1301784	E-Spade .....	1
12	.....	Connector Assembly (Back Up Alarm) .....	1

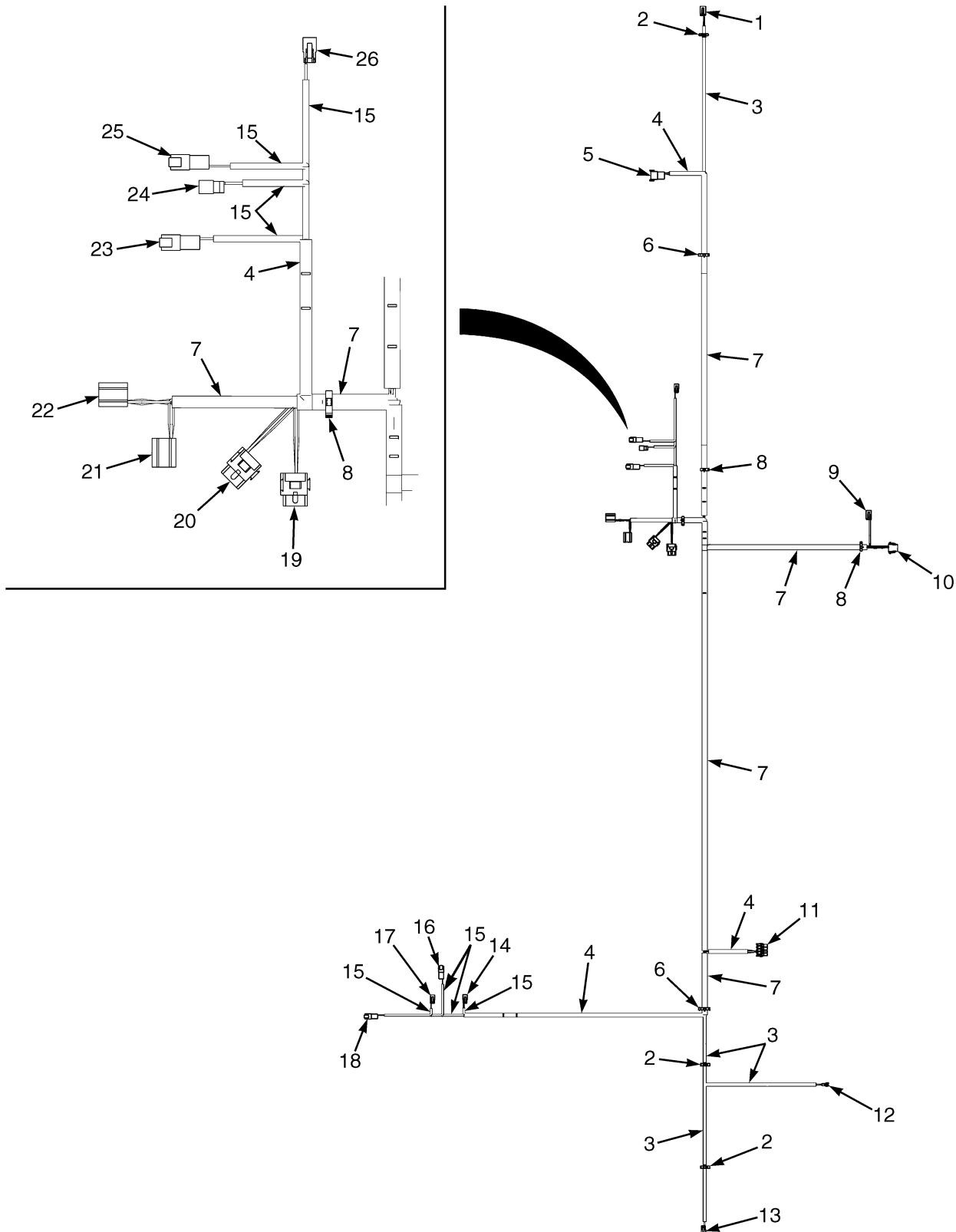
---

ITEM	PART NO.	DESCRIPTION	QTY
12	1330438	Terminal (Socket) .....	2
12	1330424	Connector (Secondary Lock) .....	1
12	1330419	Connector .....	1

---



## WIRE HARNESS (FIGURE 2-32) MAIN LIGHTS CHASSIS (S/N A276B03243K → (LONG WHEEL BASE)) (S/N A276B03249K → (SHORT WHEEL BASE))



BP081129

**WIRE HARNESS**  
**MAIN LIGHTS CHASSIS (S/N A276B03243K → (LONG WHEEL BASE))**  
**(S/N A276B03249K → (SHORT WHEEL BASE))**

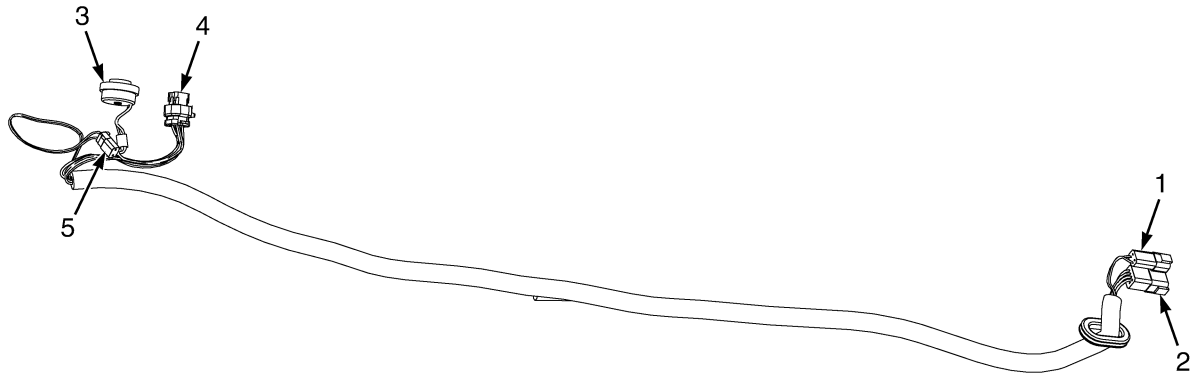
ITEM	PART NO.	DESCRIPTION	QTY
	4612502	Wire Harness .....	1
1	.....	Connector Assembly (Display Harness) .....	1
1	1330421	Connector (4 Soc) .....	1
1	1330438	Terminal (Socket) .....	3
1	1330439	Plug .....	1
1	1330427	Connector (Secondary Lock) (Secondary Lock) .....	1
2	1402816	Clip .....	3
3	275493	Conduit .....	AR
4	275494	Conduit .....	AR
5	.....	Connector Assembly (Main Harness) .....	1
5	1330413	Connector (8 Pin) .....	1
5	1531312	Terminal .....	6
5	1330439	Plug .....	2
5	1330418	Connector (Secondary Lock) (Secondary Lock) .....	1
6	1402624	Clip .....	2
7	275496	Conduit .....	AR
8	1500900	Clip .....	3
9	.....	Connector Assembly (Light Switch Harness) .....	1
9	1330421	Connector (4 Soc) .....	1
9	1330438	Terminal (Socket) .....	4
9	1330427	Connector (Secondary Lock) (Secondary Lock) .....	1
10	.....	Connector Assembly (Light Option Harness) .....	1
10	1330423	Connector (8 Socket) .....	1
10	1330438	Terminal (Socket) .....	8
10	1330429	Connector (Secondary Lock) .....	1
11	.....	Connector Assembly (DC-DC Converter) .....	1
11	1554879	Connector .....	1
11	1554877	Terminal .....	2
11	1682736	Terminal .....	2
12	1301784	E-Spade .....	1
13	.....	Connector Assembly (Backup Alarm) .....	1
13	1330419	Connector .....	1
13	1330438	Terminal (Socket) .....	2
13	1330424	Connector (Secondary Lock) .....	1
14	.....	Connector Assembly (Fan) .....	1
14	1490242	Connector (2 Way) .....	1
14	1330438	Terminal (Socket) .....	2
14	1490243	Connector (Secondary Lock) (Secondary Lock) .....	1
15	1655195	Conduit .....	AR
16	.....	Connector Assembly (Main Harness-Fan) .....	1
16	1493465	Connector (2 Pin) .....	1
16	1531312	Terminal .....	1
16	1330439	Plug .....	1
16	1330414	Connector (Secondary Lock) .....	1
17	.....	Connector Assembly (Fan) .....	1
17	1490242	Connector (2 Way) .....	1
17	1330438	Terminal (Socket) .....	2
17	1490243	Connector (Secondary Lock) (Secondary Lock) .....	1
18	.....	Connector Assembly (Main Harness-Fan) .....	1

**WIRE HARNESS**  
**MAIN LIGHTS CHASSIS (S/N A276B03243K → (LONG WHEEL BASE))**  
**(S/N A276B03249K → (SHORT WHEEL BASE))**

ITEM	PART NO.	DESCRIPTION	QTY
18	1493465	Connector (2 Pin) .....	1
18	1531312	Terminal .....	1
18	1330439	Plug .....	1
18	1330414	Connector (Secondary Lock) .....	1
19	.....	Connector Assembly (Brake Light Relay) .....	1
19	2100204	Receptacle .....	1
19	1689606	Terminal .....	4
20	.....	Connector Assembly (Reverse Relay) .....	1
20	2100204	Receptacle .....	1
20	1689606	Terminal .....	4
21	.....	Connector Assembly (Traction Fan Relay) .....	1
21	1377860	Connector .....	1
21	4001753	Terminal .....	2
21	1706004	Terminal .....	2
22	.....	Connector Assembly (Pump Fan Relay) .....	1
22	1377860	Connector .....	1
22	4001753	Terminal .....	2
22	1706004	Terminal .....	2
23	.....	Connector Assembly (Main Harness-Fan) .....	1
23	1493465	Connector (2 Pin) .....	1
23	1531312	Terminal .....	1
23	1330439	Plug .....	1
23	1330414	Connector (Secondary Lock) .....	1
24	.....	Connector Assembly (Fan) .....	1
24	1490242	Connector (2 Way) .....	1
24	1330438	Terminal (Socket) .....	2
24	1490243	Connector (Secondary Lock) (Secondary Lock) .....	1
25	.....	Connector Assembly (Main Harness-Fan) .....	1
25	1493465	Connector (2 Pin) .....	1
25	1531312	Terminal .....	1
25	1330439	Plug .....	1
25	1330414	Connector (Secondary Lock) .....	1
26	.....	Connector Assembly (Fan) .....	1
26	1490242	Connector (2 Way) .....	1
26	1330438	Terminal (Socket) .....	2
26	1490243	Connector (Secondary Lock) .....	1



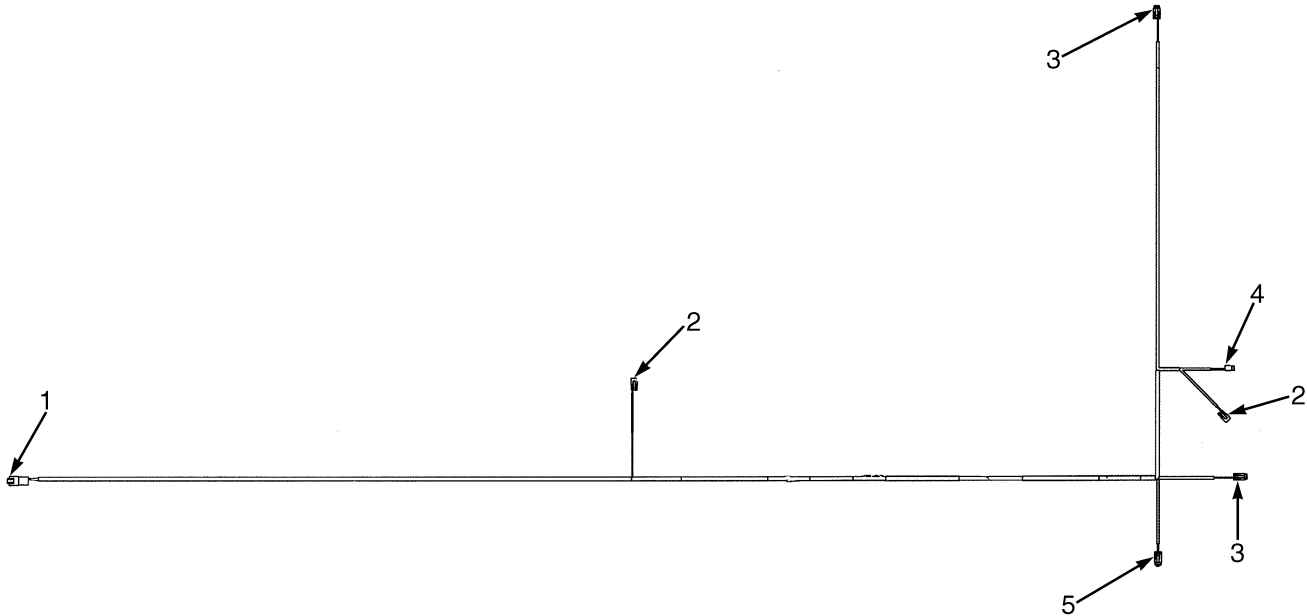
**WIRE HARNESS (FIGURE 2-33)  
LIGHTS WITH OVERHEAD GUARD — RIGHT HAND**



BP080876

ITEM	PART NO.	DESCRIPTION	QTY
	2103359	Wire Harness (Standard) .....	1
1	.....	Connector Assembly (Main Lighting Harness) .....	1
1	1330411	Connector .....	1
1	1330416	Connector (Secondary Lock) .....	1
1	1330439	Plug .....	2
1	1531312	Terminal .....	2
2	.....	Connector Assembly (To Display Harness) .....	1
2	1541988	Connector (8 Pin) .....	1
2	1541989	Connector (Secondary Lock) .....	1
2	1463140	Terminal (Pin) .....	7
2	1484377	Plug .....	1
3	2101546	Buzzer .....	1
4	.....	Connector Assembly (To Display) .....	1
4	2068741	Plug .....	1
4	4564049	Connector (Socket Female) .....	7
4	2069414	Connector (Plug) .....	1
5	.....	Connector Assembly (Right Front Work Light) .....	1
5	1490242	Connector (2 Way) .....	1
5	1490243	Connector (Secondary Lock) .....	1
5	1597773	Terminal .....	2

## WIRE HARNESS (FIGURE 2-34) LIGHTS WITH OVERHEAD GUARD — LEFT HAND WITHOUT TURN SIGNALS

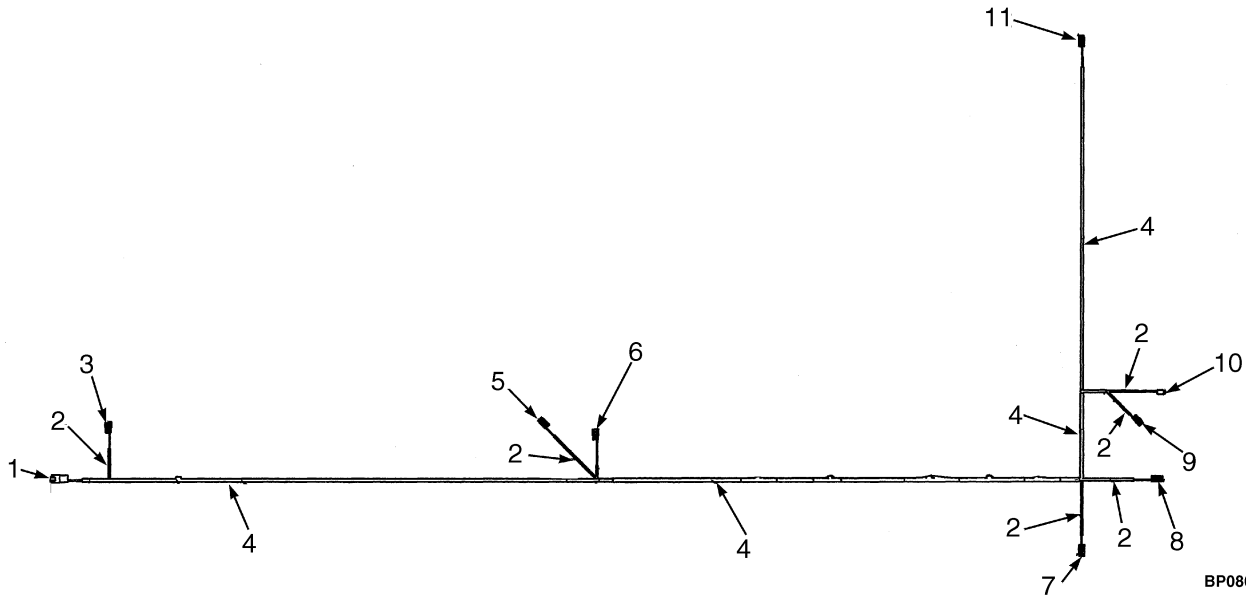


BP080252

ITEM	PART NO.	DESCRIPTION	QTY
	2103540	Wire Harness (Lights With OHG, Without Turn Signals) .....	1
1	.....	Connector Assembly (Main Light Harness) .....	1
1	1330413	Connector (8 Pin) .....	1
1	1330418	Connector (Secondary Lock) .....	1
1	1531312	Terminal .....	7
1	1330437	Terminal (Pin) .....	1
2	.....	Connector Assembly (Left Front Work Light) .....	2
2	1490242	Connector (2 Way) .....	1
2	1490243	Connector (Secondary Lock) .....	1
2	1597773	Terminal .....	2
3	.....	Connector Assembly (Right Hand Rear Indicator Assembly) .....	2
3	1484377	Plug .....	2
3	1463141	Terminal (Socket) .....	4
3	1531974	Connector .....	1
3	1531973	Connector .....	1
4	.....	Connector Assembly (Strobe Light) .....	1
4	1484557	Connector (2 Socket) .....	1
4	1463141	Terminal (Socket) .....	2
4	1484558	Connector (Secondary Lock) .....	1
5	.....	Connector Assembly (Dome Light) .....	1

ITEM	PART NO.	DESCRIPTION	QTY
5	1484377	Plug .....	1
5	1463141	Terminal (Socket) .....	2
5	1493464	Connector (Secondary Lock) .....	1
5	1493462	Connector .....	1

## WIRE HARNESS (FIGURE 2-35) LIGHTS WITH OVERHEAD GUARD — LEFT HAND, WITH TURN SIGNAL

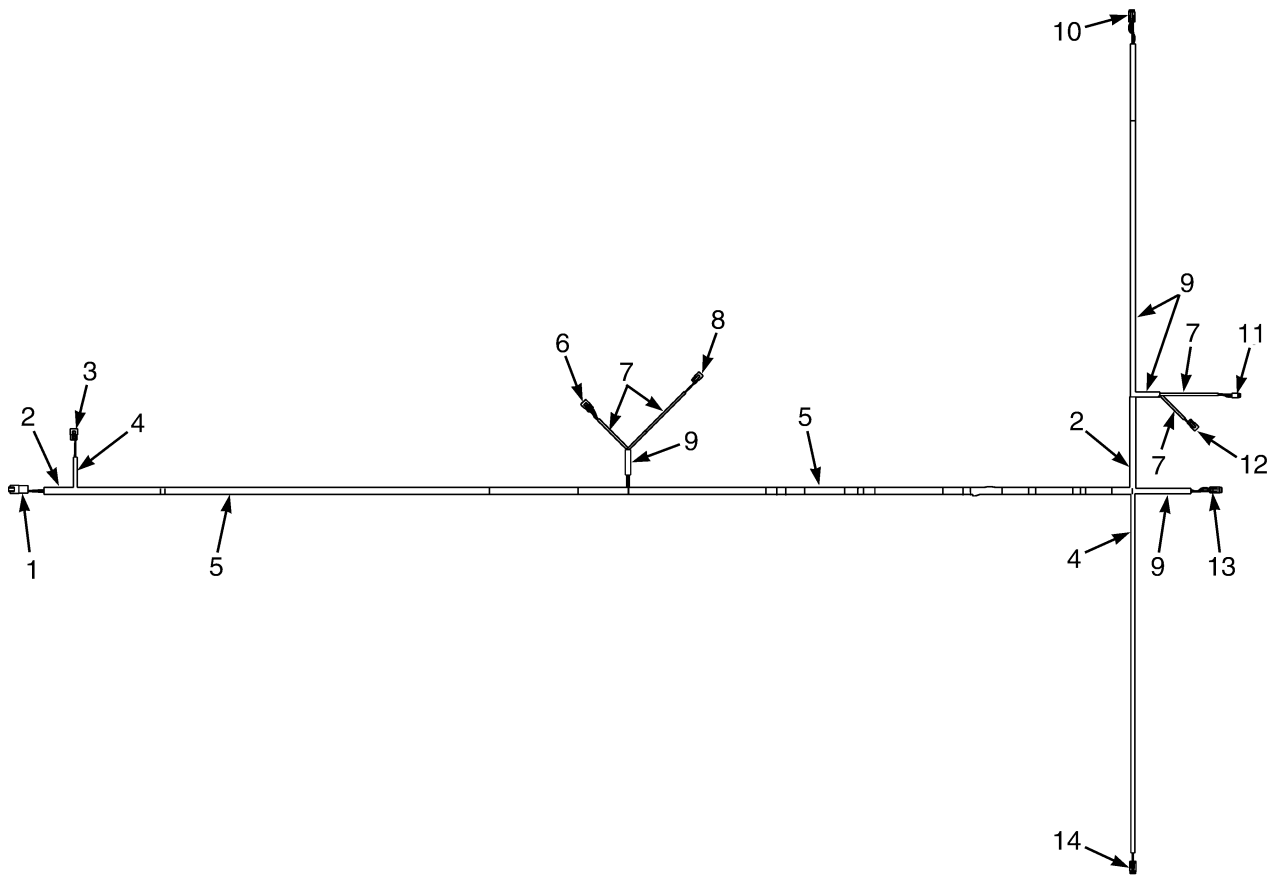


BP080301

ITEM	PART NO.	DESCRIPTION	QTY
	2108243	Wire Harness (Left Hand OHG with Turn Signals) .....	1
1	.....	Connector Assembly (Main Light Harness) .....	1
1	1330437	Terminal (Pin) .....	1
1	1531312	Terminal .....	7
1	1330418	Connector (Secondary Lock) .....	1
1	1330413	Connector (8 Pin) .....	1
2	275494	Conduit .....	AR
3	.....	Connector Assembly (To Turn Signal Harness) .....	1
3	1597773	Terminal .....	3
3	1463194	Connector (Secondary Lock) .....	1
3	1484397	Connector (3-Way) .....	1
4	275498	Conduit .....	AR
5	.....	Connector Assembly (Front Marker Left Hand) .....	1
5	1463141	Terminal (Socket) .....	3
5	1493464	Connector (Secondary Lock) .....	1
5	1493462	Connector .....	1
6	.....	Connector Assembly (Work Light Front Left Hand) .....	1
6	1490242	Connector (2 Way) .....	1
6	1490243	Connector (Secondary Lock) .....	1
6	1597773	Terminal .....	2
7	.....	Connector Assembly (Dome Light) .....	1
7	1484377	Plug .....	1
7	1463141	Terminal (Socket) .....	2
7	1493464	Connector (Secondary Lock) .....	1
7	1493462	Connector .....	1
8	.....	Connector Assembly (Tail Light Left Hand) .....	1
8	1531973	Connector .....	1
8	1531974	Connector .....	1
8	1463141	Terminal (Socket) .....	5
8	1484377	Plug .....	1

ITEM	PART NO.	DESCRIPTION	QTY
9	.....	Connector Assembly (Rear Work Light) .....	1
9	1490242	Connector (2 Way) .....	1
9	1490243	Connector (Secondary Lock) .....	1
9	1597773	Terminal .....	2
10	.....	Connector Assembly (Strobe Light) .....	1
10	1484557	Connector (2 Socket) .....	1
10	1484558	Connector (Secondary Lock) .....	1
10	1463141	Terminal (Socket) .....	2
11	.....	Connector Assembly (Tail Light Right Hand) .....	1
11	1484377	Plug .....	1
11	1463141	Terminal (Socket) .....	5
11	1531974	Connector .....	1
11	1531973	Connector .....	1

## WIRE HARNESS (LIGHTS) (FIGURE 2-36) WITH OVERHEAD GUARD AND TURN SIGNALS — WITH DROP-DOWN BATTERY BOX

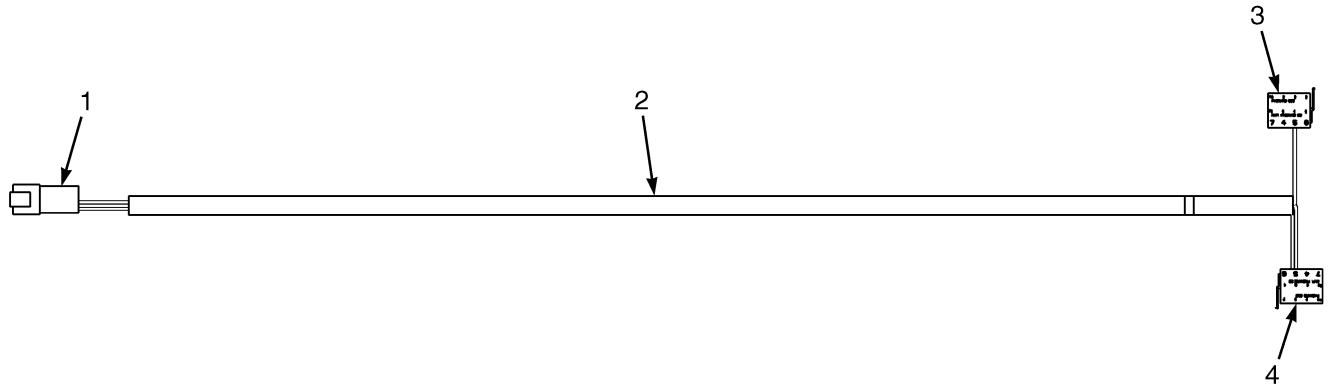


BP080997

**WIRE HARNESS (LIGHTS)**  
**WITH OVERHEAD GUARD AND TURN SIGNALS – WITH DROP-DOWN BATTERY BOX**

ITEM	PART NO.	DESCRIPTION	QTY
	4607262	Wire Harness (Lights With OHG and Turn Signals) .....	1
1	.....	Connector Assembly (Main Light Harness) .....	1
1	1623050	Housing .....	1
1	1330418	Connector (Secondary Lock) .....	1
1	1330437	Terminal (Pin) .....	2
1	1531312	Terminal .....	6
2	275495	Conduit .....	AR
3	.....	Connector Assembly (To Turn Signal Harness) .....	1
3	1484397	Connector (3-Way) .....	1
3	1463194	Connector (Secondary Lock) .....	1
3	1597773	Terminal .....	3
4	275493	Conduit .....	AR
5	275496	Conduit .....	AR
6	.....	Connector Assembly (LH Front Marker) .....	1
6	1484397	Connector (3-Way) .....	1
6	1463194	Connector (Secondary Lock) .....	1
6	1597773	Terminal .....	3
7	175944	Heat Shrink .....	AR
8	.....	Connector Assembly (LH Front Work Lights) .....	1
8	1490242	Connector (2 Way) .....	1
8	1490243	Connector (Secondary Lock) .....	1
8	1597773	Terminal .....	2
9	275494	Conduit .....	AR
10	.....	Connector Assembly (RH Tail Light) .....	1
10	1531973	Connector .....	1
10	1531974	Connector .....	1
10	1463141	Terminal (Socket) .....	5
10	1484377	Plug .....	1
11	.....	Connector Assembly (Strobe Light) .....	1
11	1484557	Connector (2 Socket) .....	1
11	1484558	Connector (Secondary Lock) .....	1
11	1463141	Terminal (Socket) .....	1
11	1463139	Terminal .....	1
12	.....	Connector Assembly (Rear Work Light) .....	1
12	1490242	Connector (2 Way) .....	1
12	1490243	Connector (Secondary Lock) .....	1
12	1597773	Terminal .....	2
13	.....	Connector Assembly (LH Tail Light) .....	1
13	1531973	Connector .....	1
13	1531974	Connector .....	1
13	1463141	Terminal (Socket) .....	5
13	1484377	Plug .....	1
14	.....	Connector Assembly (Dome Light) .....	1
14	1493462	Connector .....	1
14	1493464	Connector (Secondary Lock) .....	1
14	1463141	Terminal (Socket) .....	2
14	1484377	Plug .....	1

## WIRE HARNESS (FIGURE 2-37) LIGHTS WITH OVERHEAD GUARD — LEFT HAND FRONT SWITCH

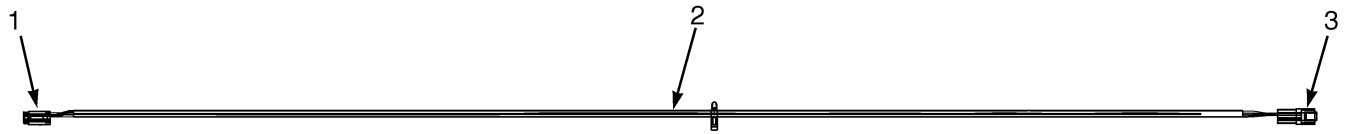


BP080996

ITEM	PART NO.	DESCRIPTION	QTY
	4603732	Wire Harness .....	1
1	.....	Connector Assembly (Light Harness, Main Chassis) .....	1
1	1330411	Connector .....	1
1	1330416	Connector (Secondary Lock) .....	1
1	1330437	Terminal (Pin) .....	4
2	275494	Conduit .....	AR
3	.....	Connector Assembly (Switch, Rear Work Light) .....	1
3	4484564	.....	
	1382308	Socket .....	1
3	233141	Terminal .....	1
4	.....	Connector Assembly (Switch, Front Work Light/Tail Lights) .....	1
4	4484564	.....	
	1382308	Socket .....	1
4	233141	Terminal .....	3



**WIRE HARNESS (FIGURE 2-38)  
SEAT — MANUAL HYDRAULICS**



BP080211

ITEM	PART NO.	DESCRIPTION	QTY
	2104097	Wire Harness (Seat) .....	1
1	.....	Connector Assembly (Seat Sensor) .....	1
1	1531973	Connector .....	1
1	1531974	Connector .....	1
1	1463141	Terminal (Socket) .....	4
1	1484377	Plug .....	2
2	1699754	Conduit .....	AR
3	.....	Connector Assembly (Main Harness) .....	1
3	1530960	Connector .....	1
3	1530961	Connector (Secondary Lock) .....	1
3	1463140	Terminal (Pin) .....	4
3	1484377	Plug .....	2

**WIRE HARNESS (FIGURE 2-39)  
SEAT — E-HYDRAULIC**

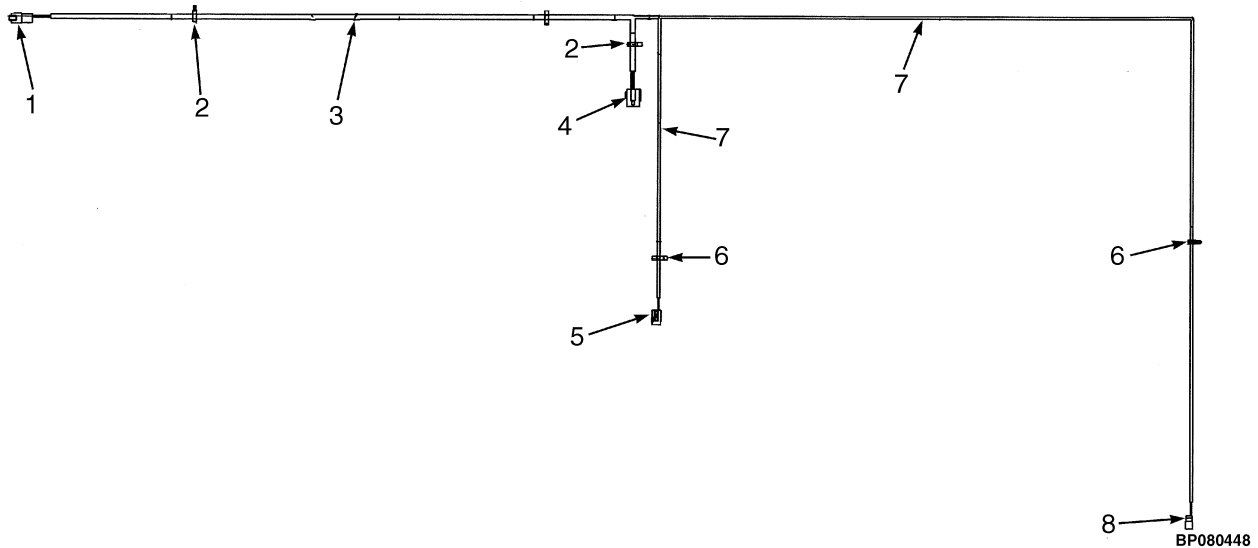


BP081135

**WIRE HARNESS  
SEAT – E-HYDRAULIC**

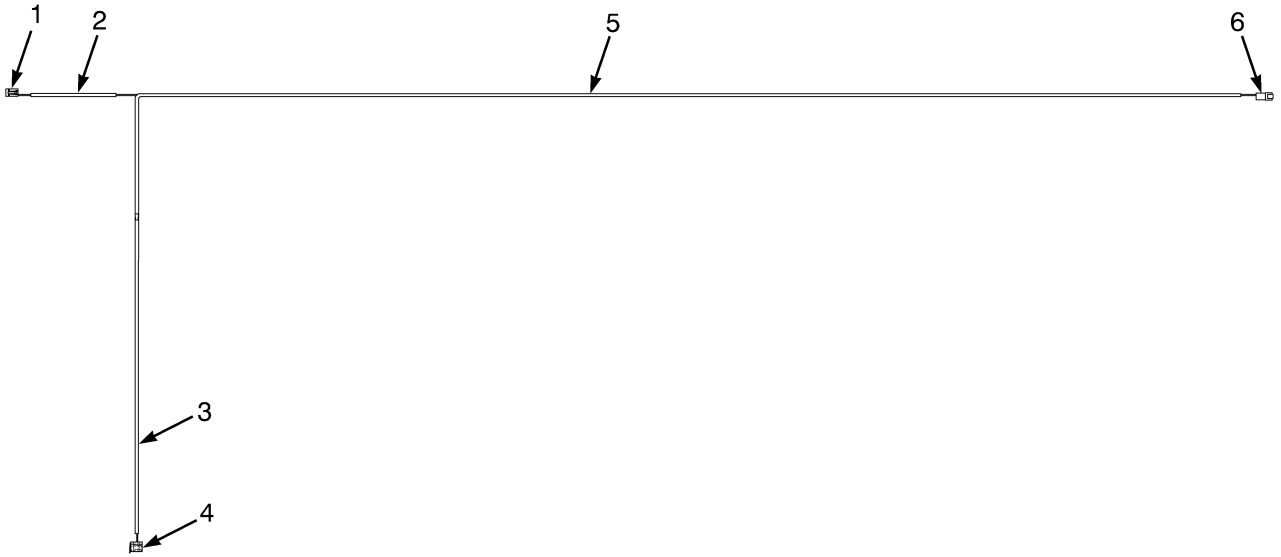
ITEM	PART NO.	DESCRIPTION	QTY
	2104030	Wire Harness (Seat) .....	1
1	.....	Connector Assembly (MLM Joystick / Armrest) .....	1
1	1502625	Connector .....	1
1	1330438	Terminal (Socket) .....	7
1	1484377	Plug .....	1
1	1502626	Connector (Secondary Lock) .....	1
2	1699754	Conduit .....	AR
3	.....	Connector Assembly (Main Harness) .....	1
3	1500925	Connector .....	1
3	1330437	Terminal (Pin) .....	11
3	1484377	Plug .....	1
3	1352603	Connector (Secondary Lock) .....	1
4	.....	Connector Assembly (Seat Sensor) .....	1
4	1531973	Connector .....	1
4	1463141	Terminal (Socket) .....	4
4	1484377	Plug .....	2
4	1531974	Connector (Secondary Lock) .....	1

## WIRE HARNESS (FIGURE 2-40) BACK-UP ALARM STROBE — WITHOUT CONVERTER



ITEM	PART NO.	DESCRIPTION	QTY
	2108457	Wire Harness .....	1
1	.....	Contactor Assembly (Main Harness) .....	1
1	1330413	Connector (8 Pin) .....	1
1	1330418	Connector (Secondary Lock) .....	1
1	1330439	Plug .....	5
1	1531312	Terminal .....	3
2	1500900	Clip .....	3
3	1495083	Cable-Bulk (FT) .....	AR
4	.....	Contactor Assembly (Reverse Relay) .....	1
4	1689606	Terminal .....	4
4	2100204	Receptacle .....	1
5	.....	Contactor Assembly (Light Option Harness) .....	1
5	1330439	Plug .....	6
5	1330438	Terminal (Socket) .....	2
5	1330429	Connector .....	1
5	1330423	Connector (8 Socket) .....	1
6	1402816	Clip .....	1
7	1495084	Cable-Bulk (FT) .....	AR
8	.....	Contactor Assembly (Back-Up Alarm) .....	1
8	1330438	Terminal (Socket) .....	2
8	1330424	Connector (Secondary Lock) .....	1
8	1330419	Connector .....	1

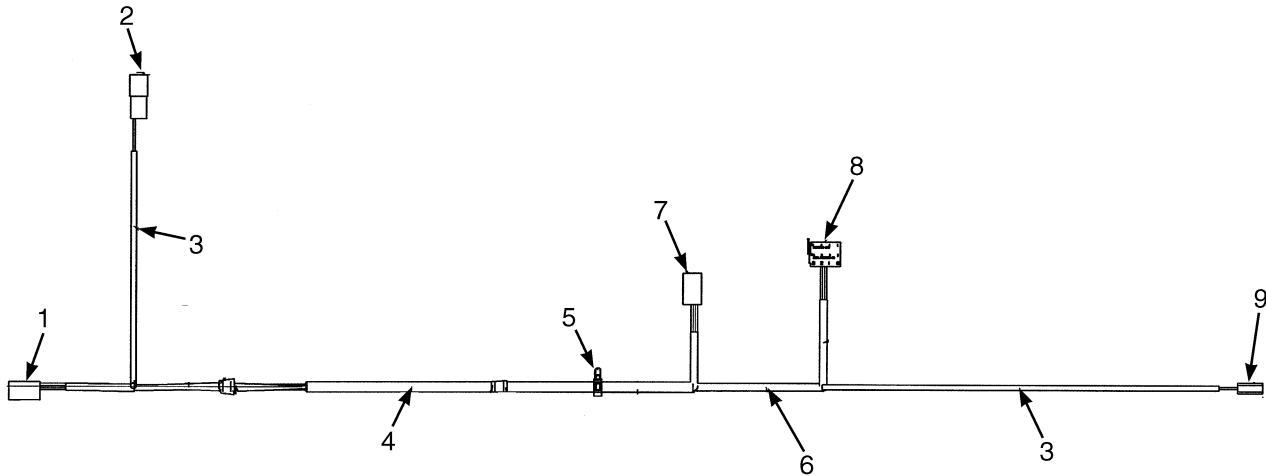
**WIRE HARNESS (FIGURE 2-41)  
REAR WIPER**



BP080745

ITEM	PART NO.	DESCRIPTION	QTY
	2108954	Wire Harness (Rear Wiper) .....	1
1	.....	Connector Assembly (Rear Wiper) .....	1
1	1330421	Connector (4 Soc) .....	1
1	1330427	Connector (Secondary Lock) .....	1
1	1330438	Terminal (Socket) .....	4
2	381919	Braiding .....	AR
3	275494	Conduit .....	AR
4	.....	Connector Assembly (Switch) .....	1
4	4484564		
	1382308	Socket .....	1
4	233141	Terminal .....	5
5	275493	Conduit .....	AR
6	.....	Connector Assembly (Rear Wiper) .....	1
6	1463180	Connector .....	1
6	1463191	Connector .....	1
6	1463138	Terminal Pin .....	3

## WIRE HARNESS (FIGURE 2-42) FRONT WIPER

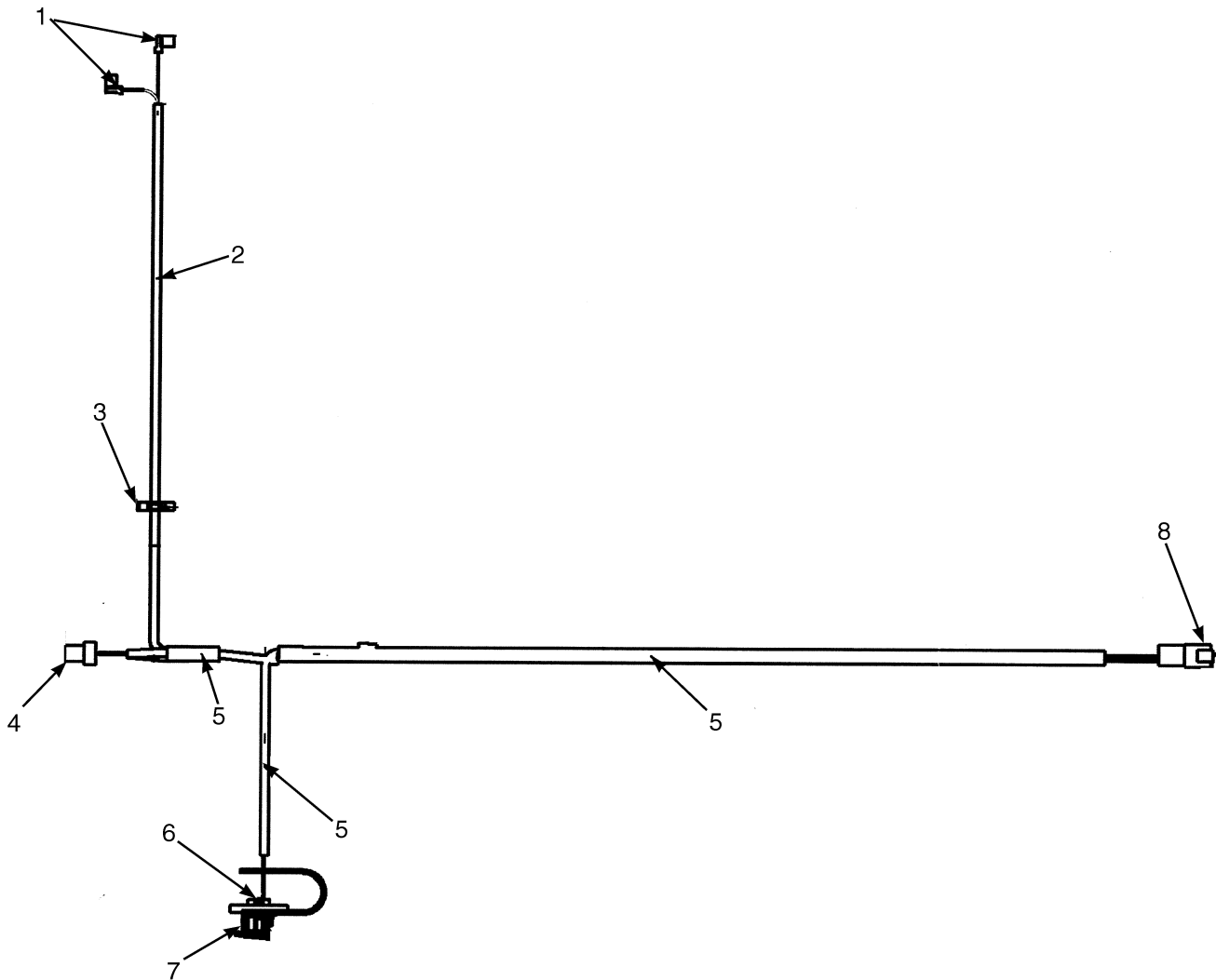


BP080744

ITEM	PART NO.	DESCRIPTION	QTY
	2108948	Wire Harness .....	1
1	.....	Connector Assembly (Rear Wiper Harness) .....	2
1	1493462	Connector .....	1
1	1493464	Connector (Secondary Lock) .....	1
1	1463139	Terminal .....	3
2	.....	Connector Assembly (DC-DC Converter) .....	1
2	1330409	Connector .....	1
2	1330414	Connector (Secondary Lock) .....	1
2	1330437	Terminal (Pin) .....	2
3	275493	Conduit .....	AR
4	275495	Conduit .....	AR
5	1402815	Clip .....	1
6	275494	Conduit .....	AR
7	.....	Connector Assembly (Front Wiper) .....	1
7	1330421	Connector (4 Soc) .....	1
7	1330427	Connector (Secondary Lock) .....	1
7	1330438	Terminal (Socket) .....	4
8	.....	Connector Assembly (Switch) .....	1
8	4484564	.....	
	1382308	Socket .....	1
8	233141	Terminal .....	5
9	.....	Connector Assembly (Washer) .....	1
9	1308259	Connector Body .....	1
9	314775	Terminal .....	2



## WIRE HARNESS (FIGURE 2-43) STEERING COLUMN



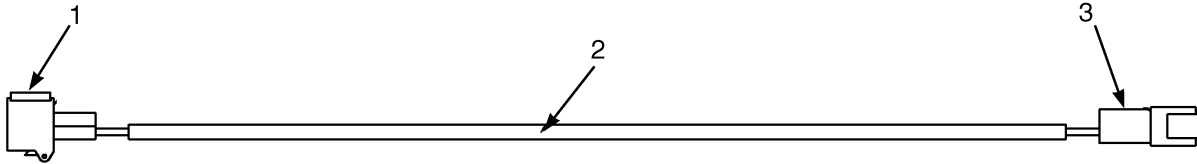
BP080747



**WIRE HARNESS  
STEERING COLUMN**

ITEM	PART NO.	DESCRIPTION	QTY
	2108591	Wire Harness (Steering Column) .....	1
1	2107952	Terminal .....	2
2	.....	Conduit .....	AR
3	1402816	Clip .....	1
4	.....	Connector Assembly (Steer Wheel Position Sensor) .....	1
4	1323576	Terminal .....	3
4	1402865	Connector .....	1
5	275494	Conduit .....	AR
6	.....	Connector Assembly (Diagnostic Connector) .....	1
6	1597773	Terminal .....	3
6	1532664	Connector (Secondary Lock) .....	1
6	1566116	Connector .....	1
7	1566117	Dust Cap .....	1
8	.....	Connector Assembly (Main Harness) .....	1
8	1541988	Connector (8 Pin) .....	1
8	1541989	Connector (Secondary Lock) .....	1
8	1463138	Terminal Pin .....	7
8	1484377	Plug .....	1

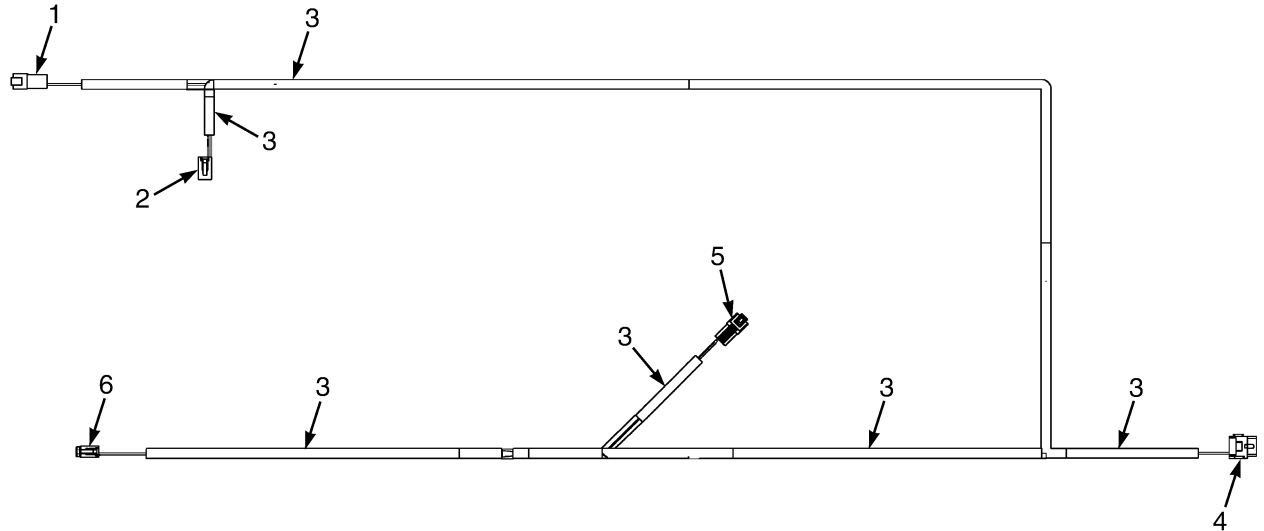
## WIRE HARNESS (FIGURE 2-44) SYNCHRONOUS STEERING



BP080756

ITEM	PART NO.	DESCRIPTION	QTY
	4604283	Wire Harness (Synchronous Steering) .....	1
1	.....	Connector Assembly (To Steer Make-Up Valve) .....	1
1	1561559	Connector (2 Pin) .....	1
1	1561755	Connector (Secondary Lock) .....	1
1	1463138	Terminal Pin .....	2
2	1655195	Conduit .....	AR
3	.....	Connector Assembly (To Main Harness) .....	1
3	1627833	Connector .....	1
3	1402814	Terminal .....	2
3	1562649	Seal .....	2

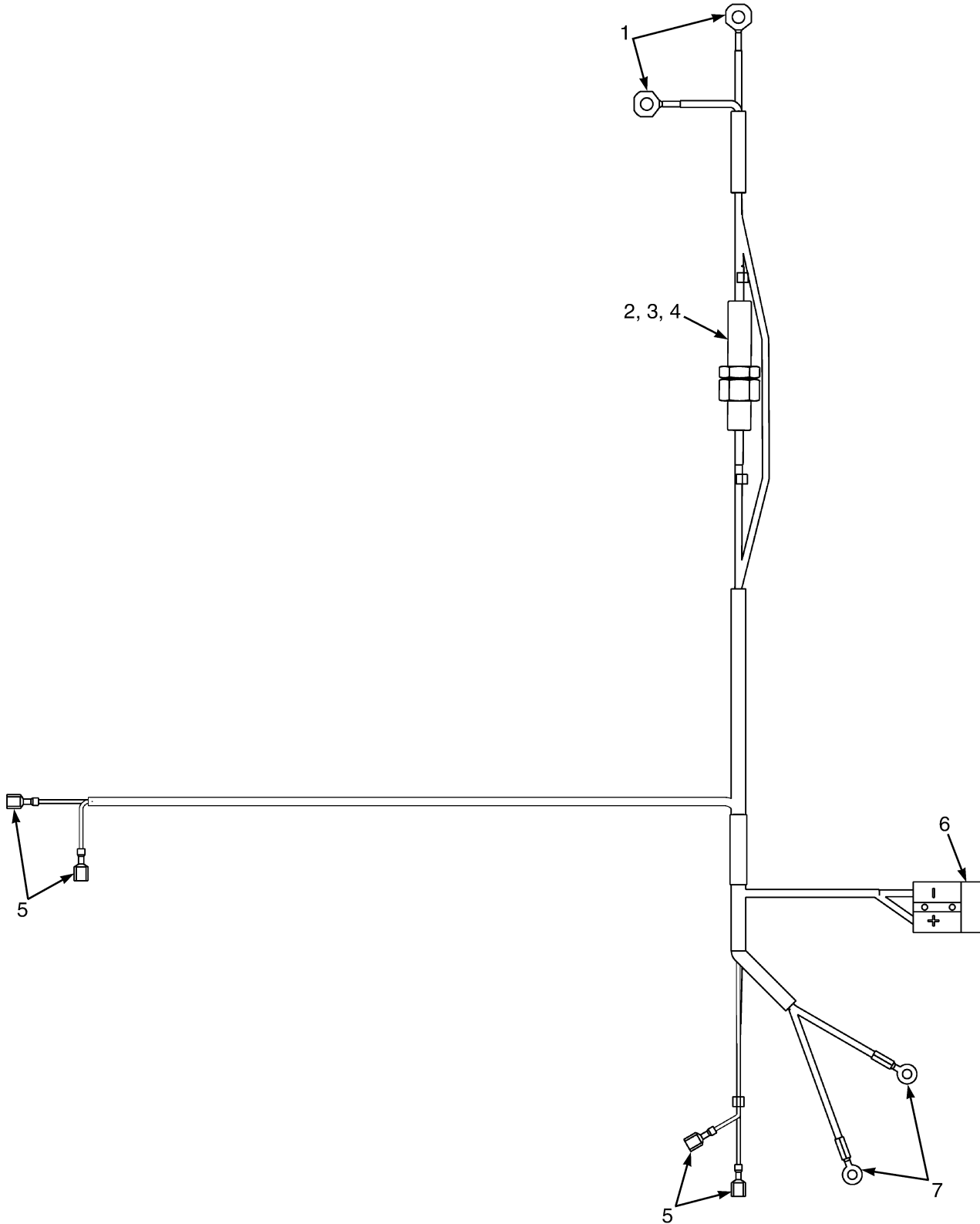
**WIRE HARNESS (FIGURE 2-45)  
TURN SIGNAL**



BP080892

ITEM	PART NO.	DESCRIPTION	QTY
	4608986	Wire Harness (Turn Signal) .....	1
1	.....	Connector Assembly (To Main Harness) .....	1
1	1489655	Connector (4 Way) .....	1
1	1330416	Connector (Secondary Lock) (Secondary Lock) .....	1
1	1330437	Terminal (Pin) .....	3
1	1484377	Plug .....	1
2	.....	Connector Assembly (To Display Wire Harness) .....	1
2	1489656	Connector (4-Way) .....	1
2	1489657	Connector (Secondary Lock) .....	1
2	1330438	Terminal (Socket) .....	4
3	275494	Conduit .....	AR
4	.....	Connector Assembly (To Flasher) .....	1
4	2100204	Receptacle .....	1
4	1689606	Terminal .....	3
5	.....	Connector Assembly (To LH Overhead Guard Turn Signal Wire Harness) .....	1
5	1493466	Connector .....	1
5	1330415	Connector (Secondary Lock) .....	1
5	1330437	Terminal (Pin) .....	3
6	.....	Connector Assembly (To Turn Signal Switch) .....	1
6	1463189	Connector .....	1
6	1463196	Connector .....	1
6	1484377	Plug .....	1
6	1463139	Terminal .....	3

**WIRE HARNESS (FIGURE 2-46)  
HEATER - 80V**



BP080823

ITEM	PART NO.	DESCRIPTION	QTY
	2111044	Wire Harness (Heater) .....	1
1	1402620	Ring Terminal .....	2
1	148611	E-Ring (Alternate Part) .....	2
2	1704495	Insulator (Fuse Holder) .....	2
3	1707015	Fuse Holder .....	1
4	1707298	Fuse (25 Amp) .....	1
5	1402849	Connector Body .....	4
6	1704828	Connector (Heater) .....	1
7	129888	E-Ring .....	2

## WIRE HARNESS (FIGURE 2-47) MANUAL INTERLOCK



BP080908

ITEM	PART NO.	DESCRIPTION	QTY
	2100705	Wire Harness (Manual Interlock) .....	1
1	1671887	Push Button Switch (Included with Manual Interlock Wire Harness) .....	1
2	.....	Connector Assembly (Main Harness) .....	1
2	1561559	Connector (2 Pin) .....	1
2	1561755	Connector (Secondary Lock) .....	1

**WIRE HARNESS (FIGURE 2-48)  
FAN ADAPTOR**



BP080967

ITEM	PART NO.	DESCRIPTION	QTY
	4605934	Wire Harness (Fan Adaptor) .....	1
1	.....	Connector Assembly (Wire Harness Light Chassis Main) .....	1
1	1330411	Connector .....	1
1	1330416	Connector (Secondary Lock) .....	1
1	1531312	Terminal .....	4
2	275493	Conduit .....	AR
3	.....	Connector Assembly (Wire Harness Front Switch) .....	1
3	1330421	Connector (4 Soc) .....	1
3	1330427	Connector (Secondary Lock) .....	1
3	1597773	Terminal .....	4
4	.....	Connector Assembly (Fan) .....	1
4	1330419	Connector .....	1
4	1330424	Connector (Secondary Lock) .....	1
4	1597773	Terminal .....	2
5	.....	Connector Assembly (To Fan, Main Harness) .....	1
5	1330409	Connector .....	1
5	1330414	Connector (Secondary Lock) .....	1
5	1531312	Terminal .....	1
5	1484377	Plug .....	1
6	.....	Connector Assembly (Fan) .....	1
6	1330419	Connector .....	1
6	1330424	Connector (Secondary Lock) .....	1
6	1597773	Terminal .....	2
7	.....	Connector Assembly (To Fan, Main Harness) .....	1
7	1330409	Connector .....	1
7	1330414	Connector (Secondary Lock) .....	1

---

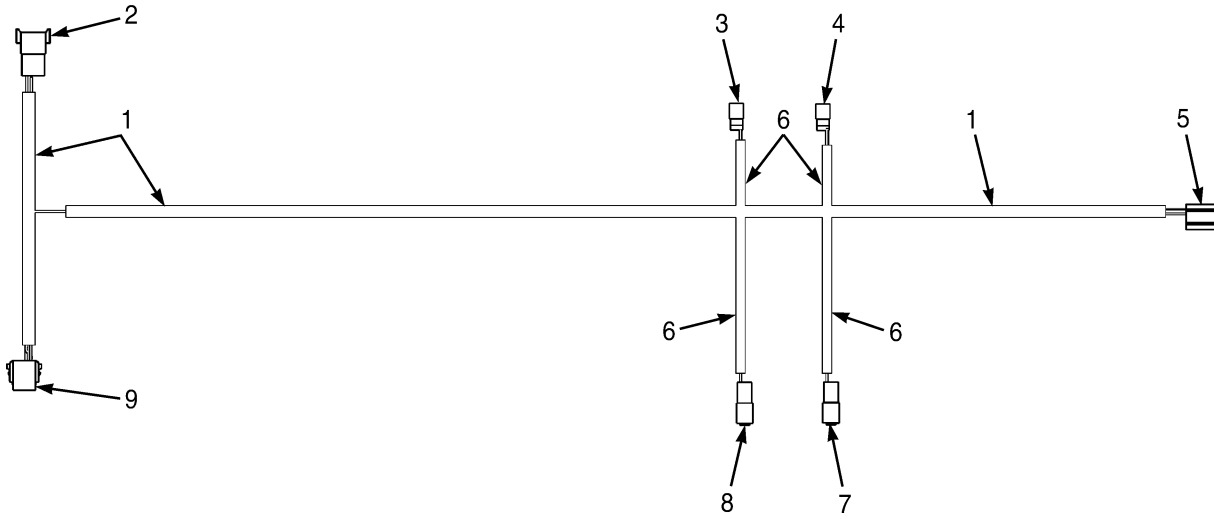
ITEM	PART NO.	DESCRIPTION	QTY
7	1531312	Terminal .....	1
7	1484377	Plug .....	1

---





**WIRE HARNESS (FIGURE 2-49)  
FAN ADAPTOR — ALTERNATE PART**



BP081074

**WIRE HARNESS  
FAN ADAPTOR – ALTERNATE PART**

ITEM	PART NO.	DESCRIPTION	QTY
	4608826	Wire Harness (Fan Adaptor) .....	1
1	275494	Conduit .....	AR
2	.....	Connector Assembly (Main Electrical Harness) .....	1
2	1623050	Housing .....	1
2	1330418	Connector (Secondary Lock) .....	1
2	1330437	Terminal (Pin) .....	8
3	.....	Connector Assembly (Fan) .....	1
3	1490242	Connector (2 Way) .....	1
3	1490243	Connector (Secondary Lock) .....	1
3	1330438	Terminal (Socket) .....	2
4	.....	Connector Assembly (Fan) .....	1
4	1490242	Connector (2 Way) .....	1
4	1490243	Connector (Secondary Lock) .....	1
4	1330438	Terminal (Socket) .....	2
5	.....	Connector Assembly (Fan Relay) .....	1
5	1377860	Connector .....	1
5	1377868	Receptacle .....	2
5	1655183	Terminal .....	2
6	275493	Conduit .....	AR
7	.....	Connector Assembly (Main Electrical Harness(Fan)) .....	1
7	1493465	Connector (2 Pin) .....	1
7	1330414	Connector (Secondary Lock) .....	1
7	1330437	Terminal (Pin) .....	1
7	1484377	Plug .....	1
8	.....	Connector Assembly (Main Electrical Harness (Fan)) .....	1
8	1493465	Connector (2 Pin) .....	1
8	1330414	Connector (Secondary Lock) .....	1
8	1330437	Terminal (Pin) .....	1
8	1484377	Plug .....	1
9	.....	Connector Assembly (Main Light Harness) .....	1
9	1502625	Connector .....	1
9	1502626	Connector .....	1
9	1484377	Plug .....	8



**3**

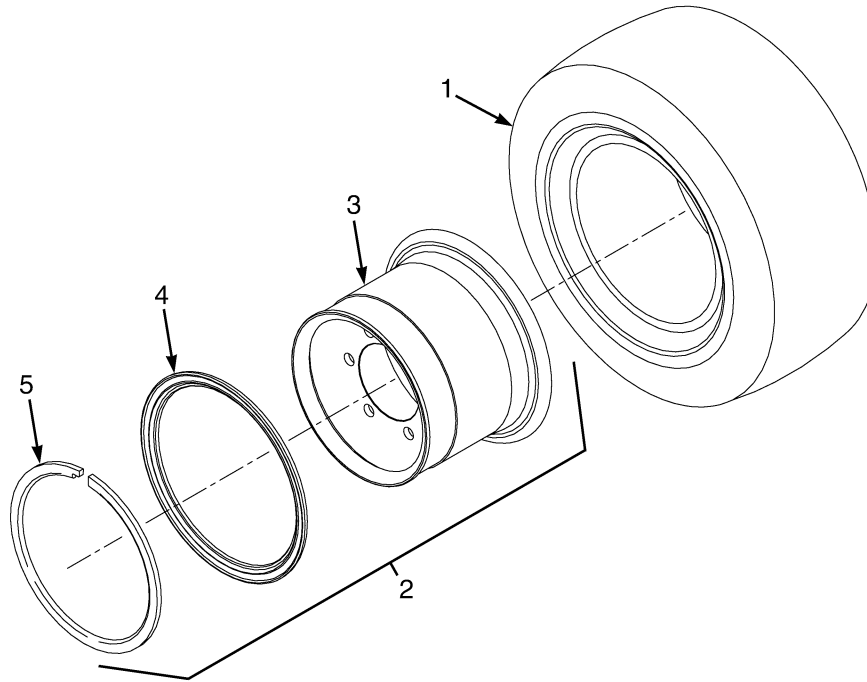
**DRIVE UNIT**



**SECTION 3  
DRIVE UNIT**

<b>DESCRIPTION</b>	<b>PAGE</b>
BRAKE ASSEMBLY .....	3-18
DISC BRAKE ASSEMBLY .....	3-24
DRIVE TIRE AND WHEEL .....	3-2
HUB HOUSING (LEFT AND RIGHT HAND) .....	3-8
PARK BRAKE ACTUATOR .....	3-20
SERVICE BRAKE ACTUATOR .....	3-22
SPUR GEAR SET .....	3-10
TRACTION MOTOR	
80 VOLT .....	3-12
TRACTION MOTOR HOUSING	
LEFT HAND .....	3-14
RIGHT HAND .....	3-16
TRANSAXLE AND ATTACHING PARTS .....	3-4
TRANSAXLE ASSEMBLY .....	3-6
TRANSAXLE OUTPUT ASSEMBLY .....	3-11

## DRIVE TIRE AND WHEEL (FIGURE 3-1)



BP070088

**KEY:**

- A:** Pneumatic
- B:** Pneumatic-Solid (Snap On Tire)
- C:** Pneumatic-Solid (Non-Marking)

ITEM	PART NO.	DESCRIPTION	QTY		
			A	B	C
	1657629	Wheel And Tire (Standard Tread) .....	2	..	..
	4012532	Wheel And Tire (Standard Tread) .....	..	2	..
	4012533	Wheel And Tire (Wide Tread) .....	..	2	..
	4012502	Wheel And Tire (Standard Tread) .....	..	..	2
	4012531	Wheel And Tire (Wide Tread) .....	..	..	2
1	1657630	Tire And Tube (23 x 10-12) .....	1	..	..
1	4012485	Solid Pneumatic Tire .....	..	1	..
1	4012487	Solid Pneumatic Tire .....	..	..	1
2	2105239	Wheel Assy (Standard Tread) .....	1	..	..
2	2105241	Wheel Assy (Wide Tread) .....	1	..	..
3	2105240	Wheel (Standard Tread) .....	1	1	1
3	2105242	Wheel (Wide Tread) .....	1	1	1
4	1688049	Wheel Side Ring .....	1	..	..
5	1688050	Shoulder Ring .....	1	..	..
	a 1688051	Wheel Lock Ring .....	1	..	..

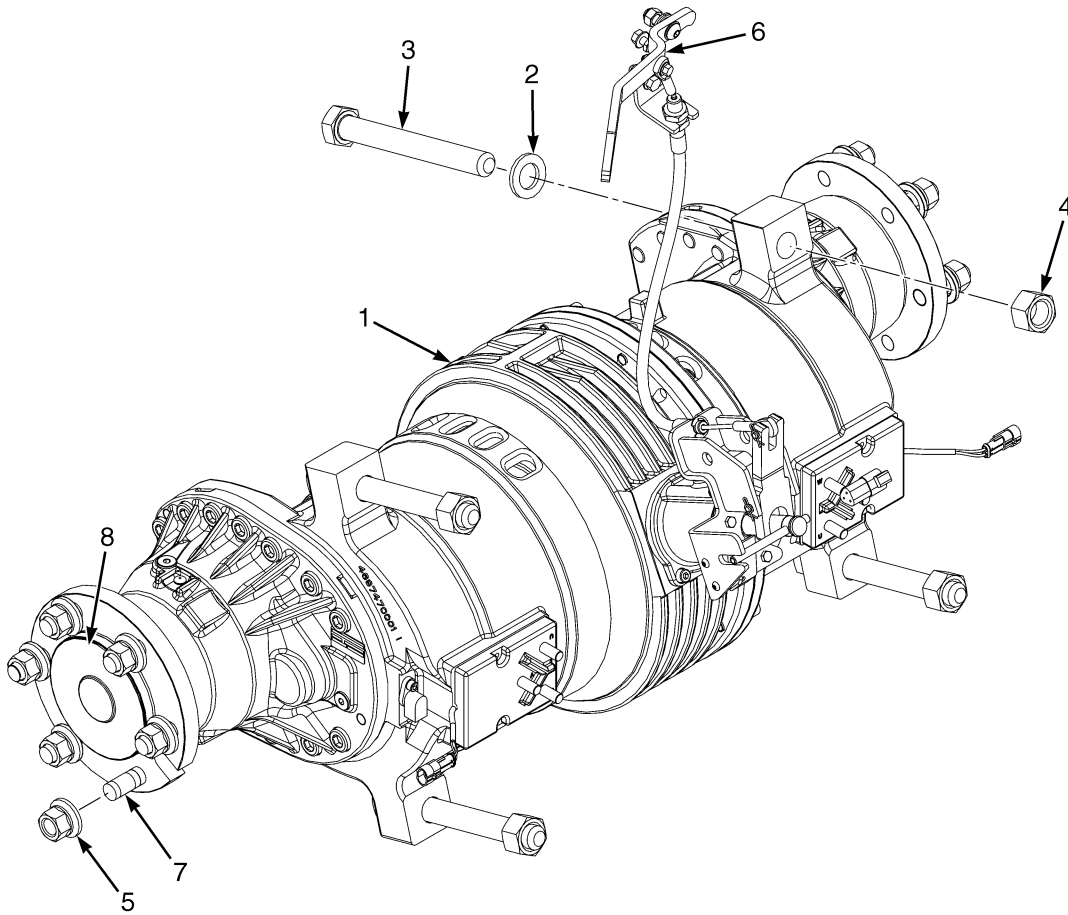
**FOOTNOTES:**

- a Not Illustrated





## TRANSAXLE AND ATTACHING PARTS (FIGURE 3-2)



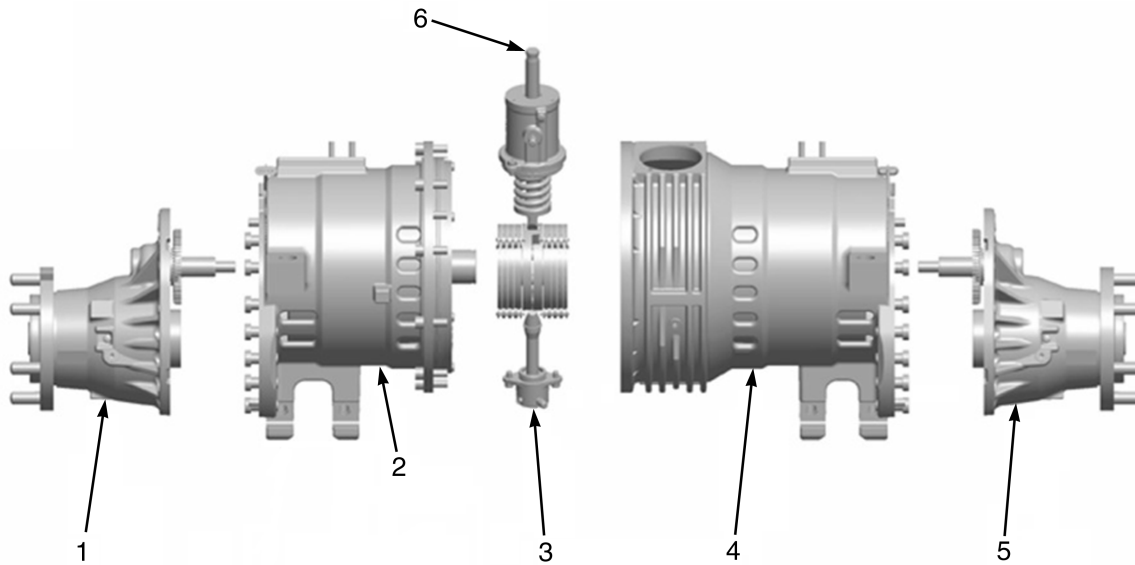
BP070083

**TRANSAXLE AND ATTACHING PARTS**

ITEM	PART NO.	DESCRIPTION	QTY
1	<b>a</b> 2094744	Drive Axle (☞Figure 3-3).....	1
1	<b>b</b> 4607344	Drive Axle (☞Figure 3-3).....	1
2	296434	Washer .....	4
3	293738	Capscrew .....	4
4	292660	Nut .....	4
5	1530721	Wheel Nut .....	12
6	.....	Park Brake Release (☞Figure 5-5).....	1
7	4008788	Bolt (Wheel) .....	6
8	4008789	Cup (Protective) .....	1
	4008777	Kit-Repair Output (LH) .....	1
	4036718	Kit-Repair Output (RH) .....	1

**FOOTNOTES:****a** → S/N A276B02201J**b** S/N A276B02202J →

## TRANSAXLE ASSEMBLY (FIGURE 3-3)



BP160070

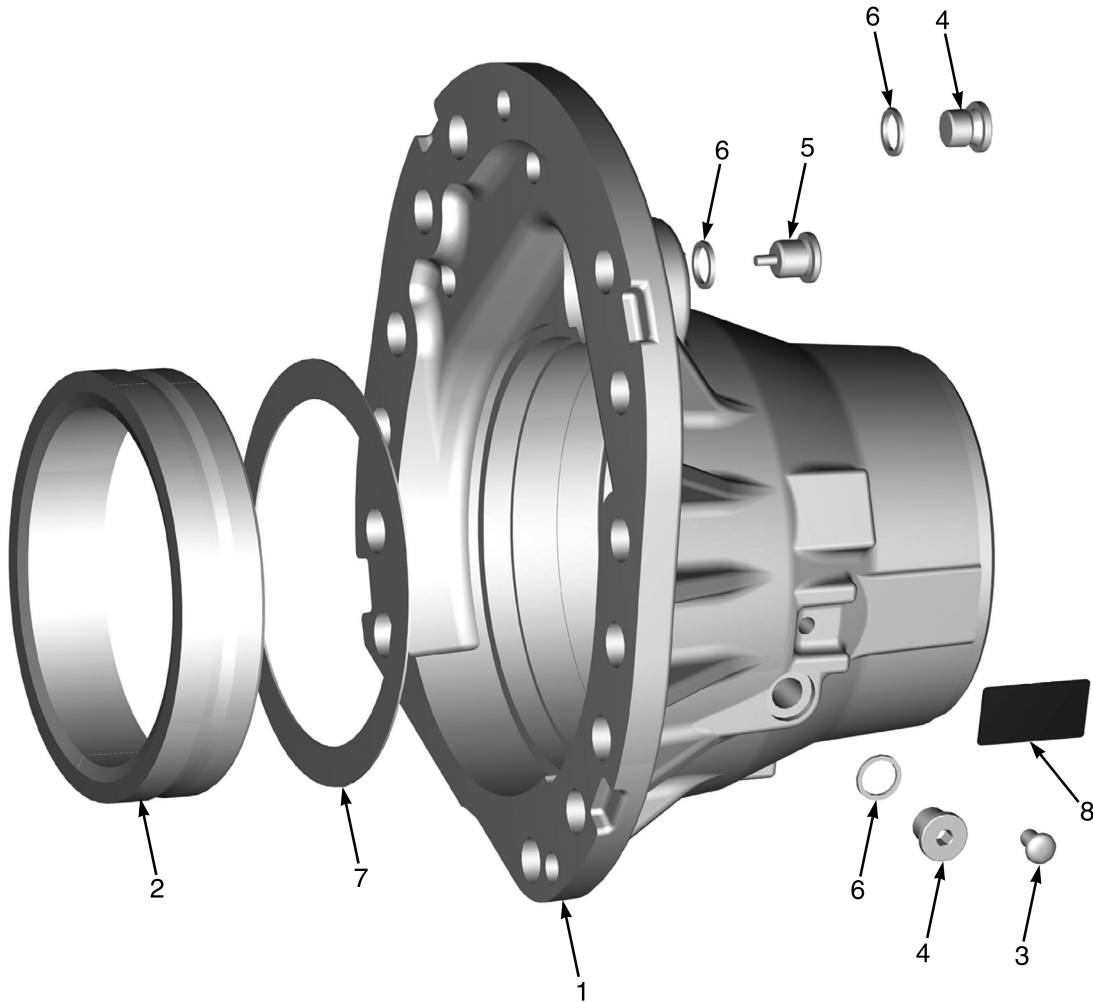
ITEM	PART NO.	DESCRIPTION	QTY
1	.....	Hub Assembly (RH) (☞ Figure 3-4).....	1
2	<b>b</b> 2094746	Motor (RH) (☞ Figure 3-7).....	1
2	<b>c</b> 4607345	Traction Motor (RH) (☞ Figure 3-9).....	1
2	<b>c</b> 4019373	Housing (End Bell RH) .....	1
3	.....	Service Brake Actuator (☞ Figure 3-12).....	1
4	<b>b</b> 2094745	Motor (LH) (☞ Figure 3-7).....	1
4	<b>c</b> 4607343	Traction Motor (LH) (☞ Figure 3-8).....	1
4	<b>c</b> 4019372	Housing (End Bell LH) .....	1
5	.....	Hub Assembly (LH) (☞ Figure 3-4).....	1
6	.....	Park Brake (☞ Figure 3-11).....	1
	<b>ab</b> 4021465	Kit-Repair RH Motor .....	1
	<b>ab</b> 4021466	Kit-Repair LH Motor .....	1
	<b>b</b> 4021467	Kit-Repair Bell End Housing .....	1

### FOOTNOTES:

- a** Repair Kits contain Motor and Both Bell Housings for First Time Replacement of Motors.      **c** S/N A276B02202J →
- b** → S/N A276B02201J



**HUB HOUSING (LEFT AND RIGHT HAND) (FIGURE 3-4)**

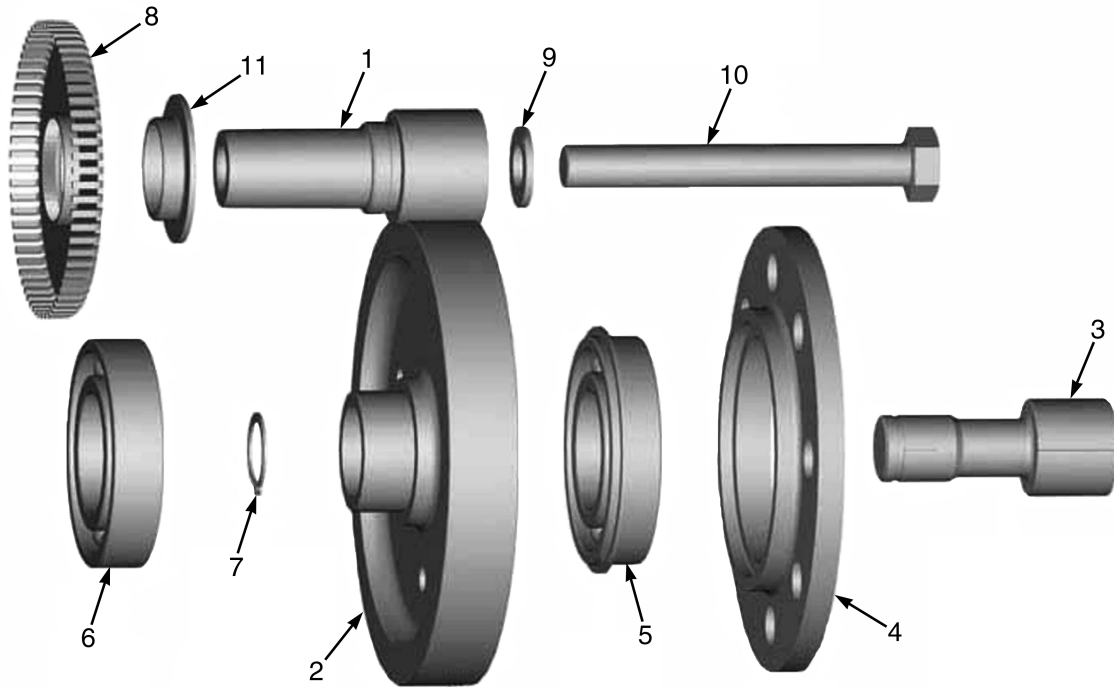


BP160073

**HUB HOUSING (LEFT AND RIGHT HAND)**

ITEM	PART NO.	DESCRIPTION	QTY
1	.....	Housing .....	1
2	.....	Ring Gear .....	1
3	380719	Breather .....	1
4	1391044	Plug .....	2
5	1507373	Plug .....	1
6	382796	Sealing Ring .....	3
7	.....	Shim Plate .....	1
8	.....	Plate .....	1
	4008777	Kit-Repair Output (LH) .....	1
9	4036718	Kit-Repair Output (RH) .....	1

## SPUR GEAR SET (FIGURE 3-5)

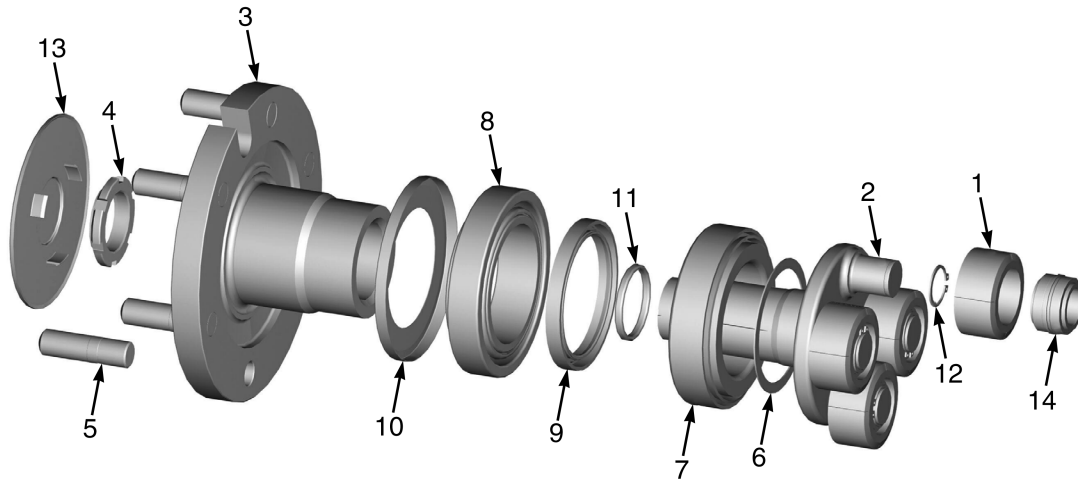


BP070089

ITEM	PART NO.	DESCRIPTION	QTY
	4008776	Kit-Repair Spur Gear Set .....	2
1	4008778	Pinion (Input) .....	1
2	4008779	Gear (Spur) .....	1
3	4008780	Gear (Sun) .....	1
4	4008781	Washer .....	1
5	4008782	Ball Bearing .....	1
6	4008783	Ball Bearing .....	1
7	4008784	Retaining Ring .....	1
8	1684510	Wheel Sensor .....	1
9	4008785	Washer .....	1
10	4008786	Bolt .....	1
11	1699889	Bushing .....	1



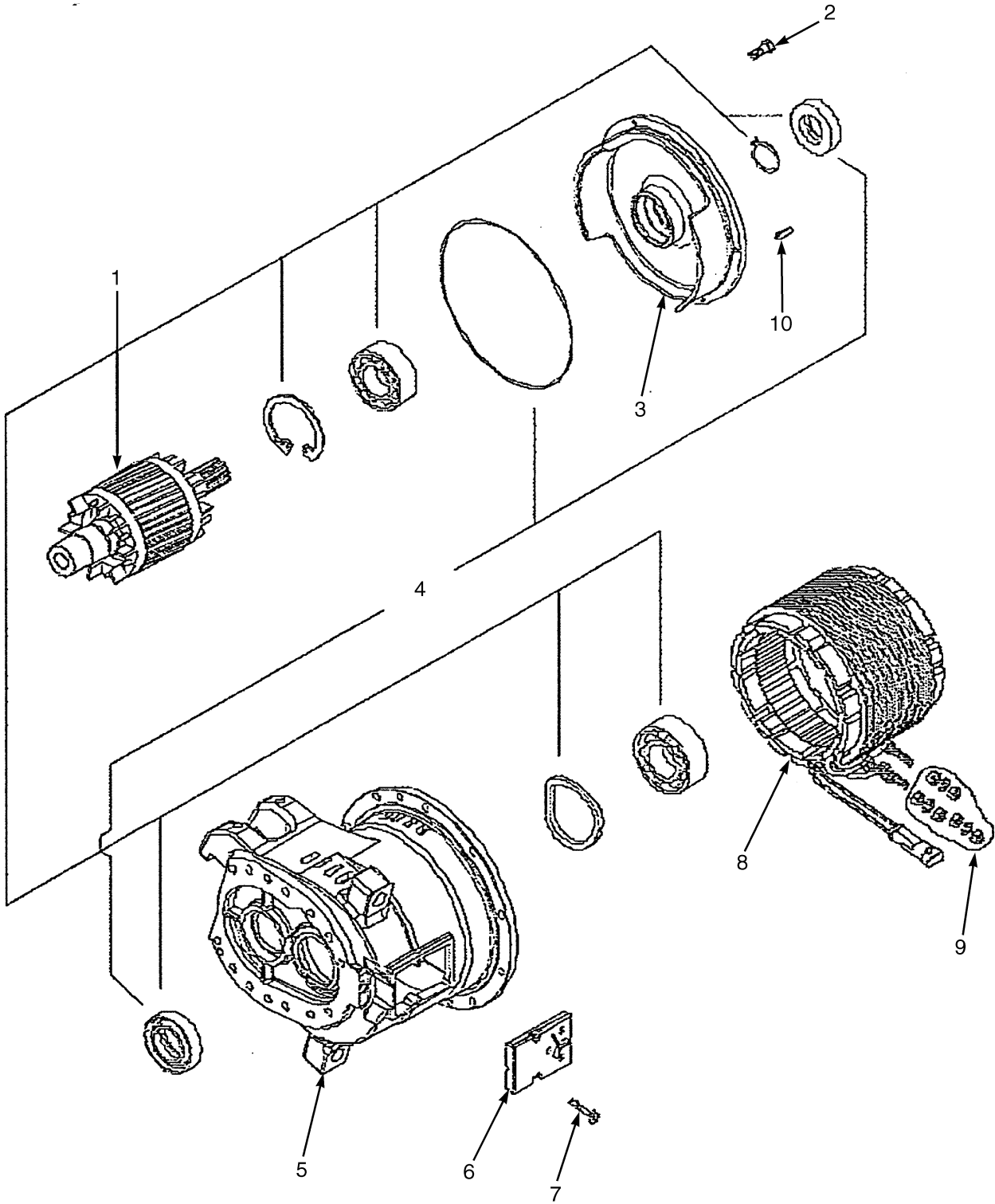
**TRANSAXLE OUTPUT ASSEMBLY (FIGURE 3-6)**



BP070091

ITEM	PART NO.	DESCRIPTION	QTY
1	.....	Planet Gear .....	4
2	.....	Planet Carrier .....	1
3	.....	Wheel Shaft .....	1
4	.....	Slotted Nut .....	1
5	4008788	Bolt (Wheel) .....	6
6	.....	Washer .....	1
7	.....	Tapered Roller Bearing .....	1
8	.....	Tapered Roller Bearing .....	1
9	.....	Shaft Seal .....	1
10	.....	Ring .....	1
11	.....	O-Ring .....	1
12	.....	Retaining Ring .....	4
13	4008789	Cup (Protective) .....	1
14	.....	Roll Bearing .....	4
	4008777	Kit-Repair Output (LH) .....	1
	4036718	Kit-Repair Output (RH) .....	1

## TRACTION MOTOR (FIGURE 3-7) 80 VOLT



BP070037

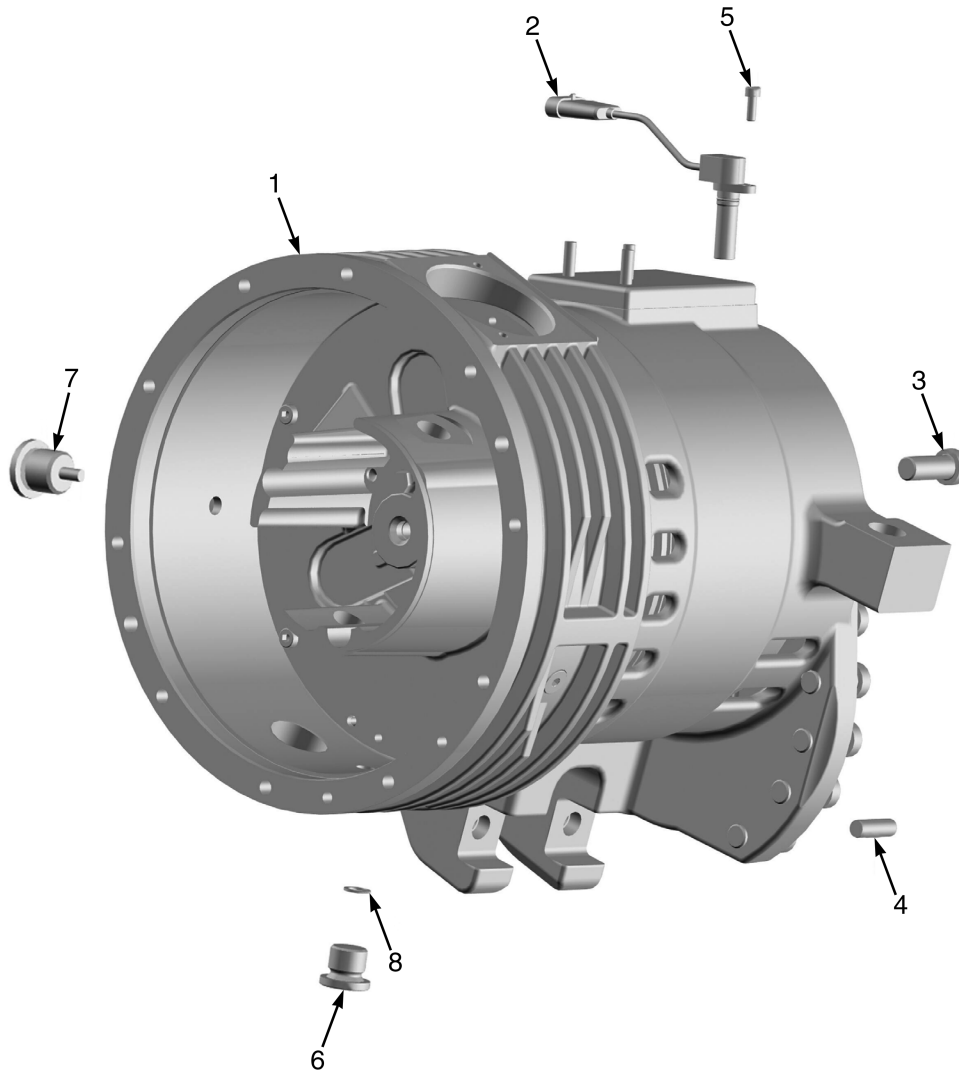
ITEM	PART NO.	DESCRIPTION	QTY
	<b>a</b> 2094745	Motor (LH) .....	1
	<b>b</b> 4607343	Traction Motor (LH) .....	1
	<b>a</b> 2094746	Motor (RH) .....	1
	<b>b</b> 4607345	Traction Motor (RH) .....	1
1	1708051	Armature .....	1
2	1708052	Screw .....	6
3	<b>a</b> 1688066	Housing (End Bell RH) .....	1
3	<b>b</b> 4019373	Housing (End Bell RH) .....	1
3	<b>a</b> 1688064	Housing (End Bell LH) .....	1
3	<b>b</b> 4019372	Housing (End Bell LH) .....	1
4	1708055	Kit-Seal .....	1
5	.....	Housing (☞ Figure 3-8, ☞ Figure 3-9).....	1
6	1708056	Plate .....	1
7	1708057	Screw .....	2
8	1708058	Stator .....	1
9	1708059	Kit-Nut And Washer .....	1
10	1708060	Dowel .....	1
	4021467	Kit-Repair Bell End Housing .....	1

**FOOTNOTES:**

**a** → S/N A276B02201J

**b** S/N A276B02202J →

**TRACTION MOTOR HOUSING (FIGURE 3-8)  
LEFT HAND**



BP160071

**TRACTION MOTOR HOUSING  
LEFT HAND**

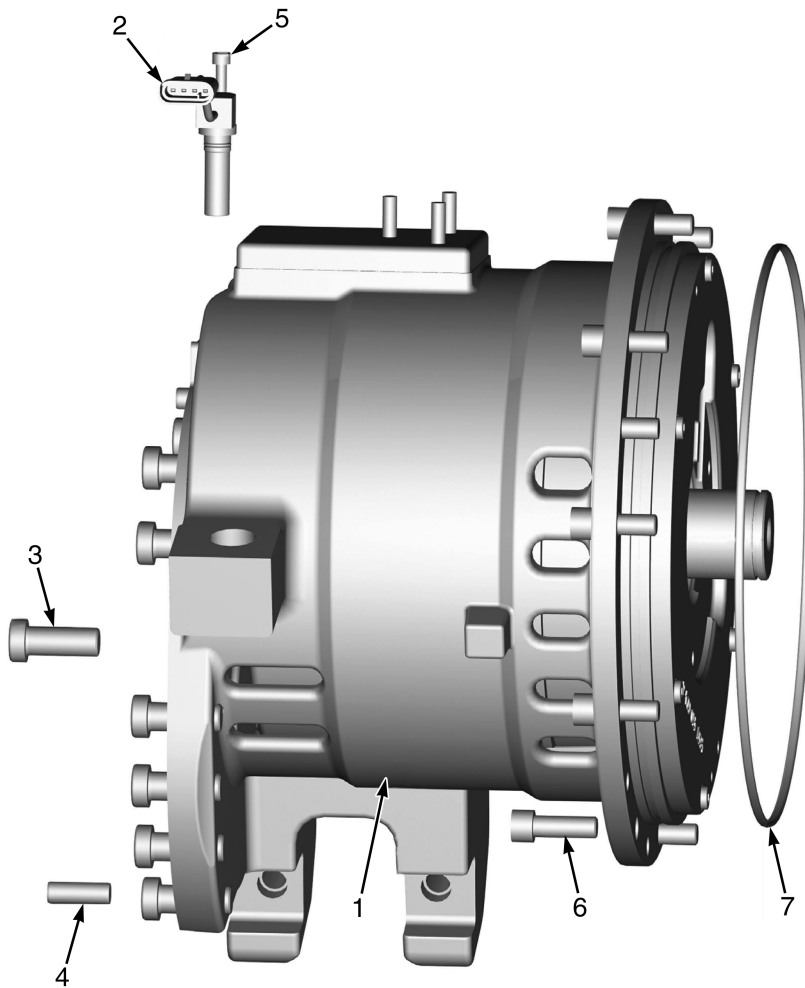
ITEM	PART NO.	DESCRIPTION	QTY
	<b>a</b> 2094745	Motor (LH) .....	1
	<b>b</b> 4607343	Traction Motor (LH) .....	1
1	.....	Housing .....	1
2	1658900	Sensor (Speed) .....	1
3	296073	Capscrew .....	13
4	326479	Dowel .....	2
5	293774	Capscrew .....	1
6	1391044	Plug .....	2
7	1507373	Plug .....	1
8	382796	Sealing Ring .....	3
	4008777	Kit-Repair Output (LH) .....	1

**FOOTNOTES:**

**a** → S/N A276B02201J

**b** S/N A276B02202J →

**TRACTION MOTOR HOUSING (FIGURE 3-9)  
RIGHT HAND**



BP160072

**TRACTION MOTOR HOUSING  
RIGHT HAND**

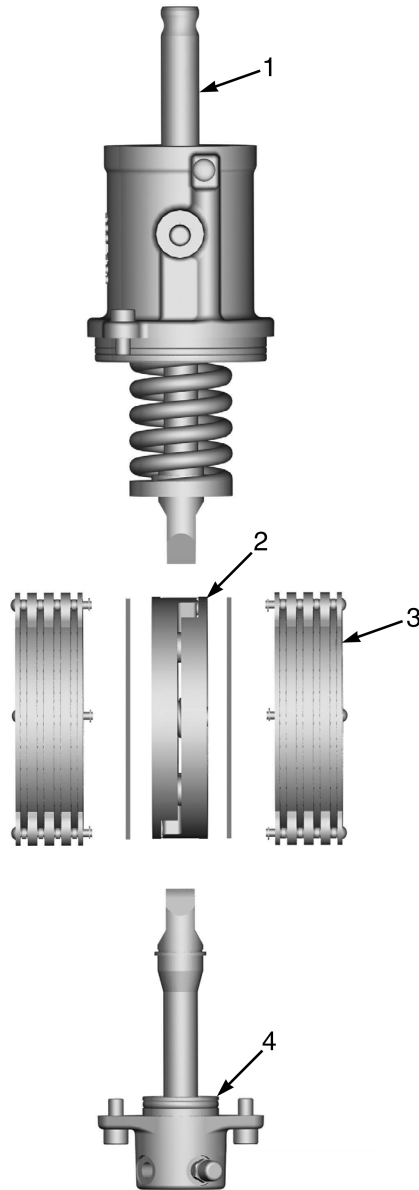
ITEM	PART NO.	DESCRIPTION	QTY
	<b>a</b> 2094746	Motor (RH) .....	1
	<b>b</b> 4607345	Traction Motor (RH) .....	1
1	.....	Housing .....	1
2	1658900	Sensor (Speed) .....	1
3	296073	Capscrew .....	13
4	326479	Dowel .....	4
5	293774	Capscrew .....	1
6	296042	Capscrew .....	10
7	4008762	O-Ring .....	1
	1704110	Kit-Motor Band .....	1

**FOOTNOTES:**

**a** → S/N A276B02201J

**b** S/N A276B02202J →

**BRAKE ASSEMBLY (FIGURE 3-10)**



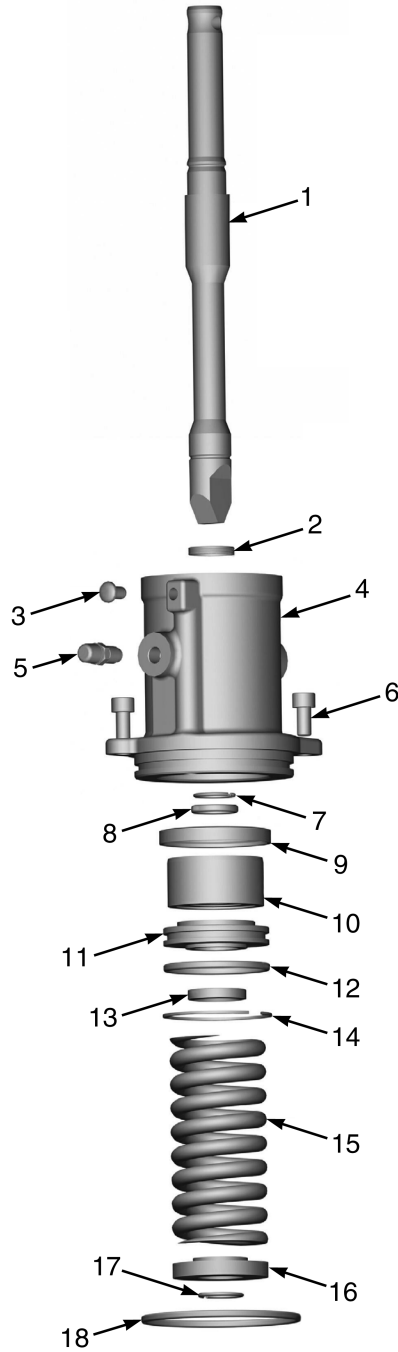
BP070084



**BRAKE ASSEMBLY**

ITEM	PART NO.	DESCRIPTION	QTY
	. . . . .	Brake Assembly .....	1
1	4008764	Kit-Repair Park Brake Actuator (☞ Figure 3-11).....	1
2	4008763	Kit-Repair Ball Ramp Actuator .....	1
3	4008766	Kit-Repair Disc Set (☞ Figure 3-13).....	1
4	4008765	Kit-Repair Service Brake Actuator (☞ Figure 3-12).....	1

## PARK BRAKE ACTUATOR (FIGURE 3-11)

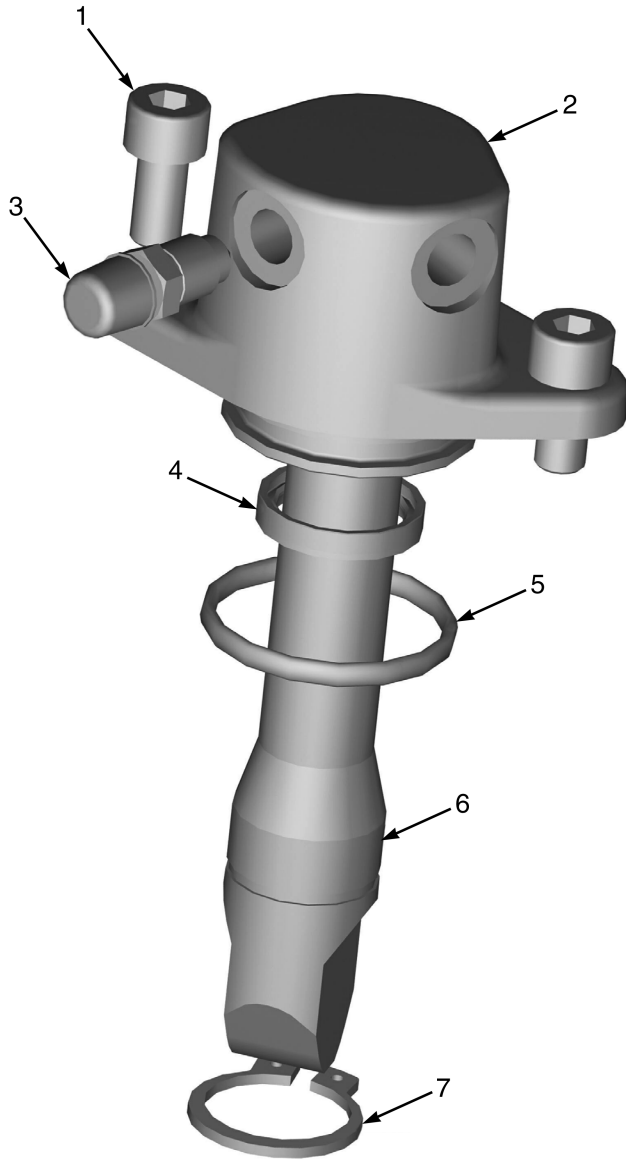


BP070085

**PARK BRAKE ACTUATOR**

ITEM	PART NO.	DESCRIPTION	QTY
	4008764	Kit-Repair Park Brake Actuator .....	1
1	.....	Piston .....	1
2	4008768	Seal .....	1
3	4008767	Filter .....	1
4	.....	Cylinder .....	1
5	1686661	Filter (Breather) .....	1
6	1568235	Capscrew .....	2
7	.....	Snap Ring .....	1
8	.....	O-Ring .....	1
9	.....	U-Ring .....	1
10	.....	Piston .....	1
11	.....	Cover .....	1
12	.....	O-Ring .....	1
13	.....	U-Ring .....	1
14	.....	Snap Ring .....	1
15	.....	Compression Spring .....	1
16	.....	Cover .....	1
17	.....	Snap Ring .....	1
18	4016167	O-Ring .....	1

**SERVICE BRAKE ACTUATOR (FIGURE 3-12)**

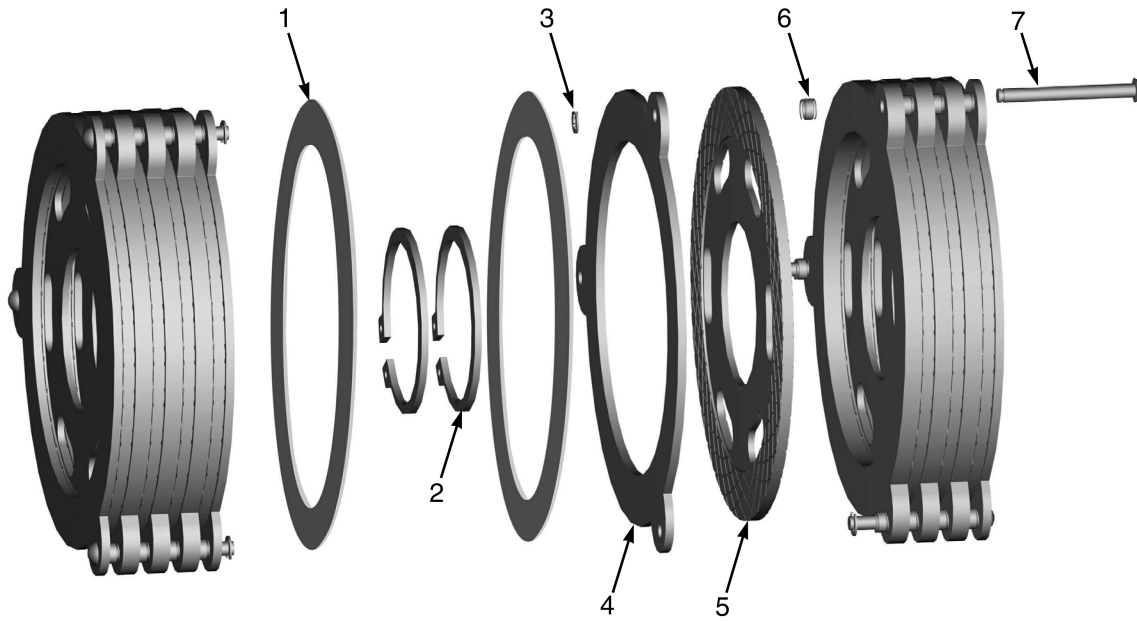


BP070086

**SERVICE BRAKE ACTUATOR**

<b>ITEM</b>	<b>PART NO.</b>	<b>DESCRIPTION</b>	<b>QTY</b>
	4008765	Kit-Repair Service Brake Actuator .....	1
1	1568235	Capscrew .....	2
2	4016170	Cylinder .....	1
3	1686661	Filter (Breather) .....	1
4	4016171	Rod Seal .....	1
5	4016172	O-Ring .....	1
6	4016169	Piston .....	1
7	4008772	Retaining Ring .....	1

## DISC BRAKE ASSEMBLY (FIGURE 3-13)



BP070087

ITEM	PART NO.	DESCRIPTION	QTY
	4008766	Kit-Repair Disc Set .....	1
1	.....	Shim .....	8
2	4008775	Retaining Ring .....	2
3	.....	Locking Washer .....	6
4	.....	Clutch Plate .....	16
5	.....	Clutch Disc .....	8
6	.....	Compression Spring .....	24
7	.....	Rivet .....	6

**4**

**STEERING SYSTEM**





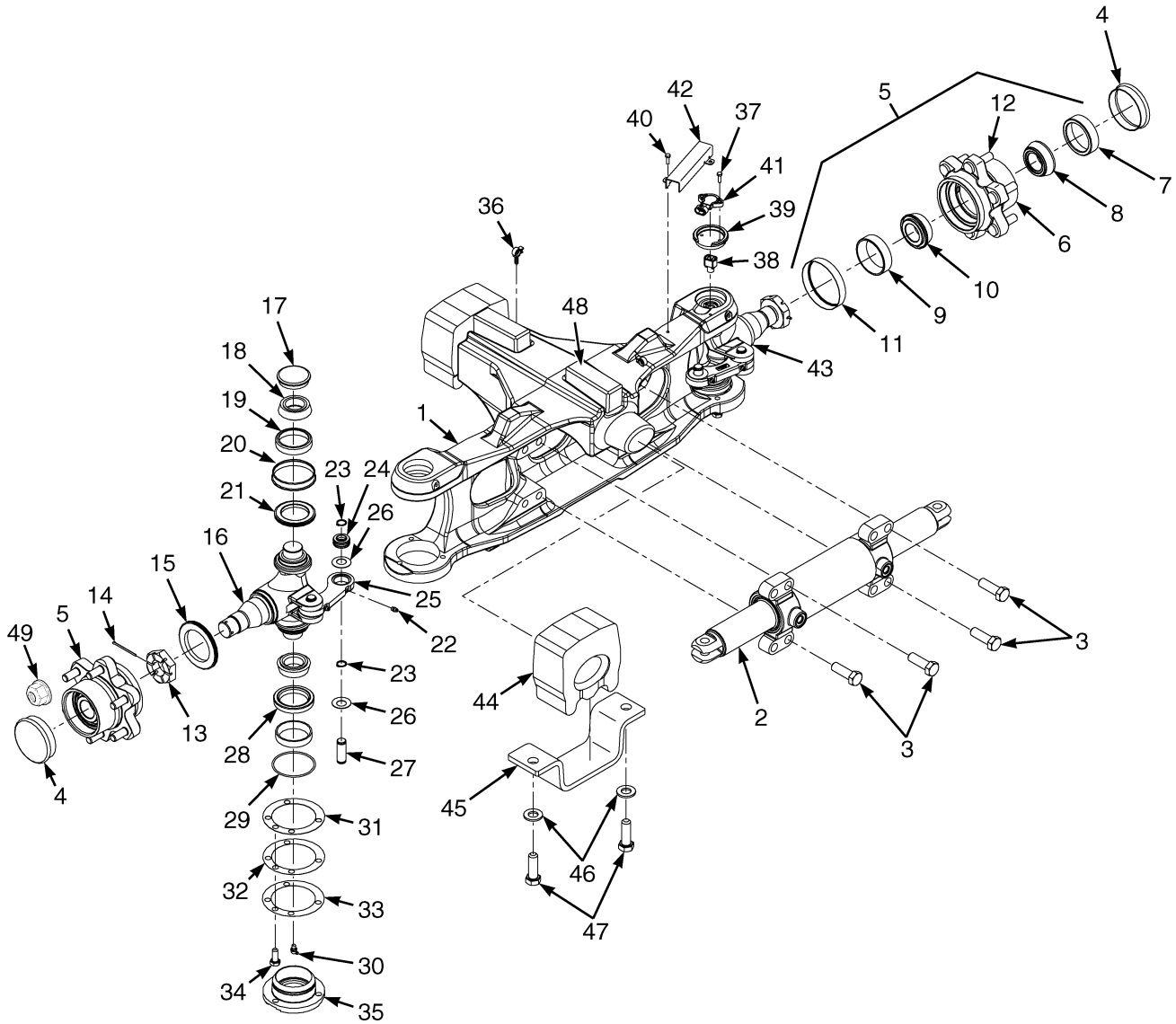
**SECTION 4  
STEERING SYSTEM**

---

<b>DESCRIPTION</b>	<b>PAGE</b>
STEER COLUMN	
FIXED .....	4-6
TELESCOPIC .....	4-8
STEER PUMP ASSEMBLY .....	4-12
STEER TIRE AND WHEEL .....	4-14
STEERING ACCUMULATOR .....	4-10
STEERING AXLE .....	4-2
STEERING CYLINDER .....	4-4

---

## STEERING AXLE (FIGURE 4-1)

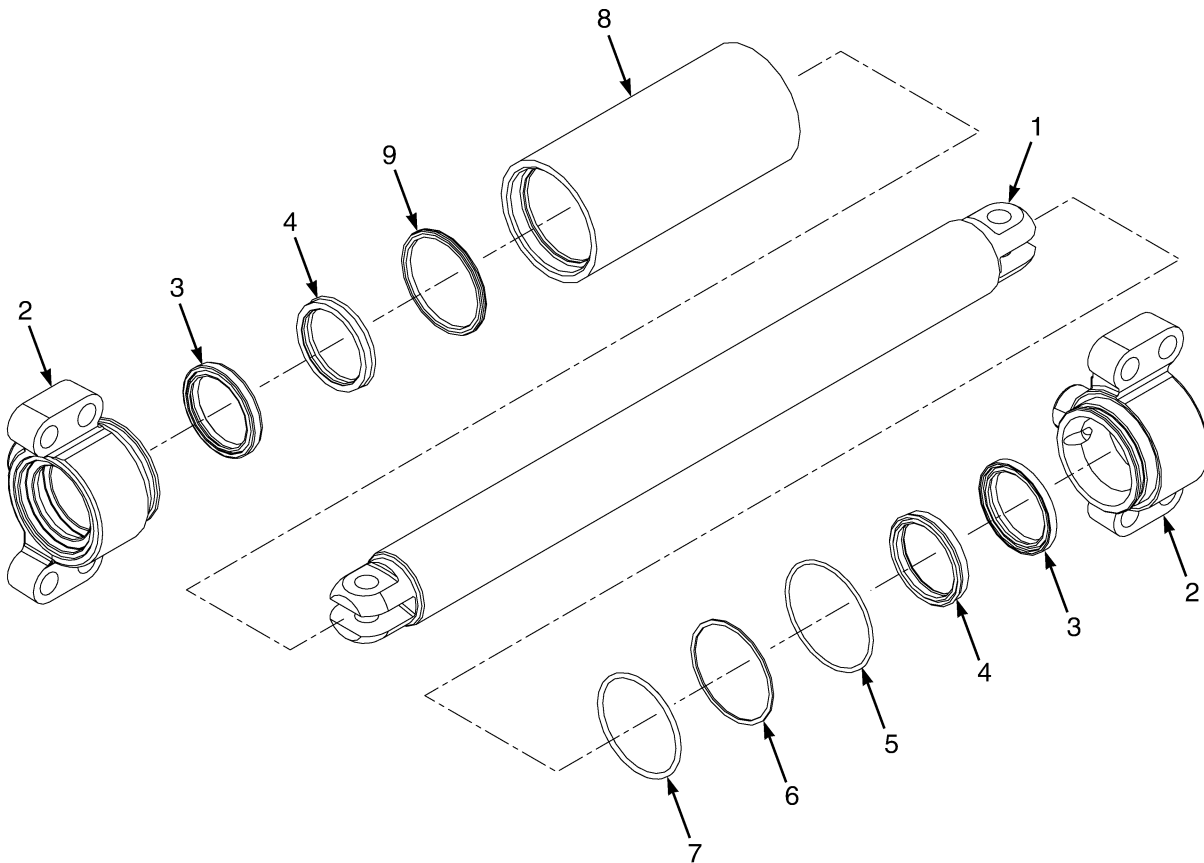


BP220162

**STEERING AXLE**

ITEM	PART NO.	DESCRIPTION	QTY
	1644975	Steering Axle (Assembly) .....	1
1	1643976	Steering Axle .....	1
2	2103891	Steering Cylinder (Assembly) (☞ Figure 4-2).....	1
3	293686	Capscrew .....	8
4	69029	Cap .....	2
5	1644934	Hub (Assembly) .....	2
6	1644425	Hub .....	1
7	317075	Bearing Cup .....	1
8	317076	Bearing Cone .....	1
9	183614	Bearing Cup .....	1
10	183615	Bearing Cone .....	1
11	164639	Wear Sleeve .....	1
12	1502276	Wheel Stud .....	6
13	1383777	Nut .....	2
14	15227	Cotter Pin .....	2
15	44542	Seal .....	2
16	1695111	Spindle .....	1
17	185860	Plug .....	1
18	135657	Bearing Cone .....	4
19	135658	Bearing Cup .....	4
20	153717	Wear Sleeve .....	2
21	153716	Seal .....	2
22	13957	Grease Fitting .....	6
23	58903	Snap Ring .....	8
24	300751	Bushing .....	4
25	1643531	Tie Rod .....	2
26	300752	Spherical Washer .....	8
27	1568271	Pin .....	4
28	266733	Seal .....	2
29	39678	O-Ring .....	2
30	13963	Grease Fitting .....	2
31	185858	Shim (0.508 mm) .....	2
32	185857	Shim (0.178 mm) .....	2
33	185856	Shim (0.127 mm) .....	2
34	293628	Capscrew .....	6
35	369812	Bearing Cap .....	2
36	1509888	Clip .....	2
37	296144	Capscrew .....	1
38	2089058	Magnet .....	1
39	1694787	Cap .....	1
40	2044515	Capscrew .....	4
41	1668356	Sensor (Steering) .....	1
42	1674512	Cover .....	1
43	1694831	Spindle .....	1
44	1525354	Rubber Mount .....	2
45	1647823	Plate .....	1
46	296427	Washer .....	6
47	293686	Capscrew .....	4
48	1388838	Rubber Mount .....	2
49	1517836	Wheel Nut .....	12

## STEERING CYLINDER (FIGURE 4-2)

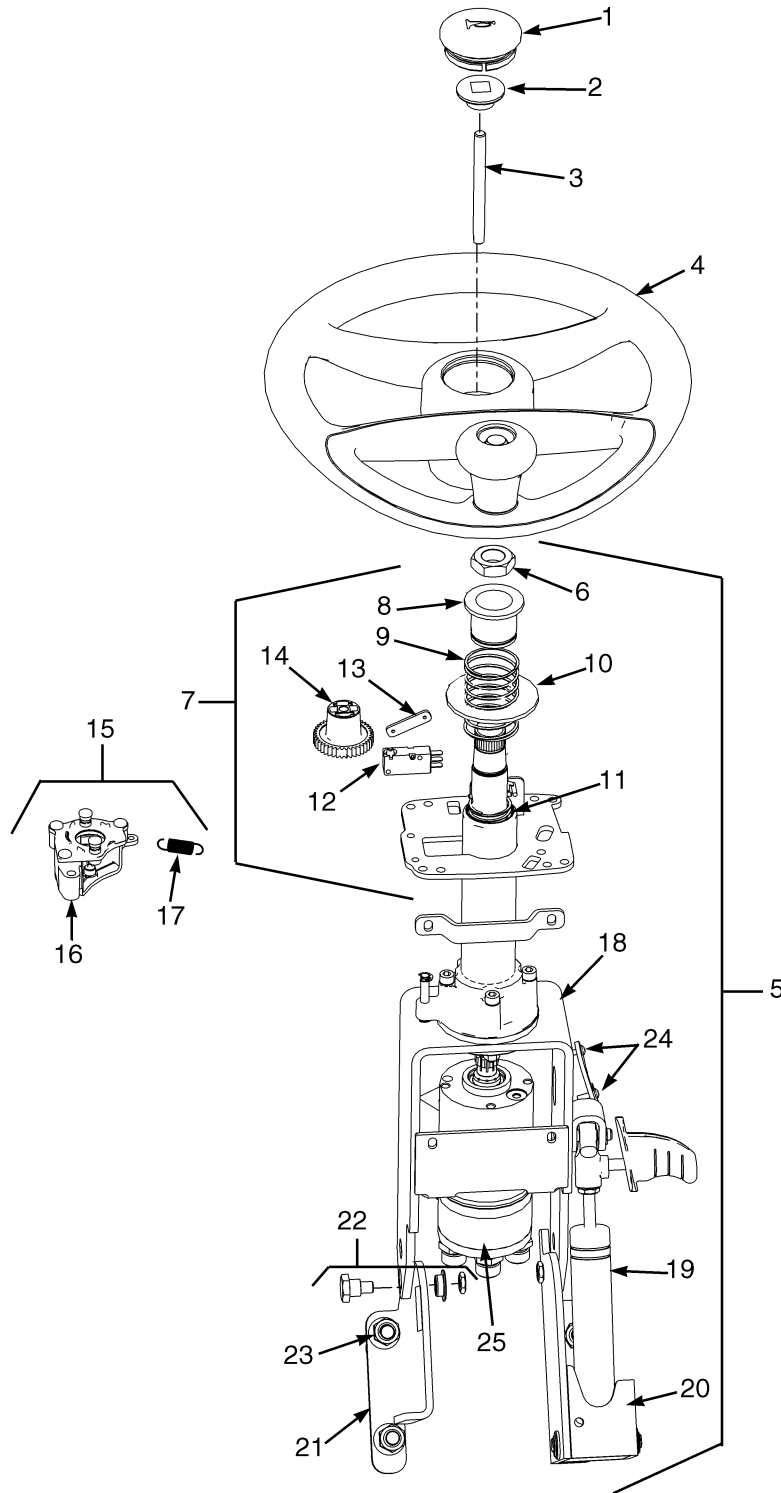


BP220163

ITEM	PART NO.	DESCRIPTION	QTY
------	----------	-------------	-----

ITEM	PART NO.	DESCRIPTION	QTY
	2103891	Steering Cylinder (Assembly) .....	2
1	1644522	Piston Rod .....	1
2	1561008	End Cap .....	2
3	2071094	Rod Wiper .....	2
4	1380092	Rod Seal .....	2
5	118358	O-Ring .....	2
6	147973	Back-Up Ring .....	2
7	268619	O-Ring .....	2
8	1644519	Cylinder .....	1
9	2044371	Piston Seal .....	1
	1566700	Kit-Seal .....	2

## STEER COLUMN (FIGURE 4-3) FIXED

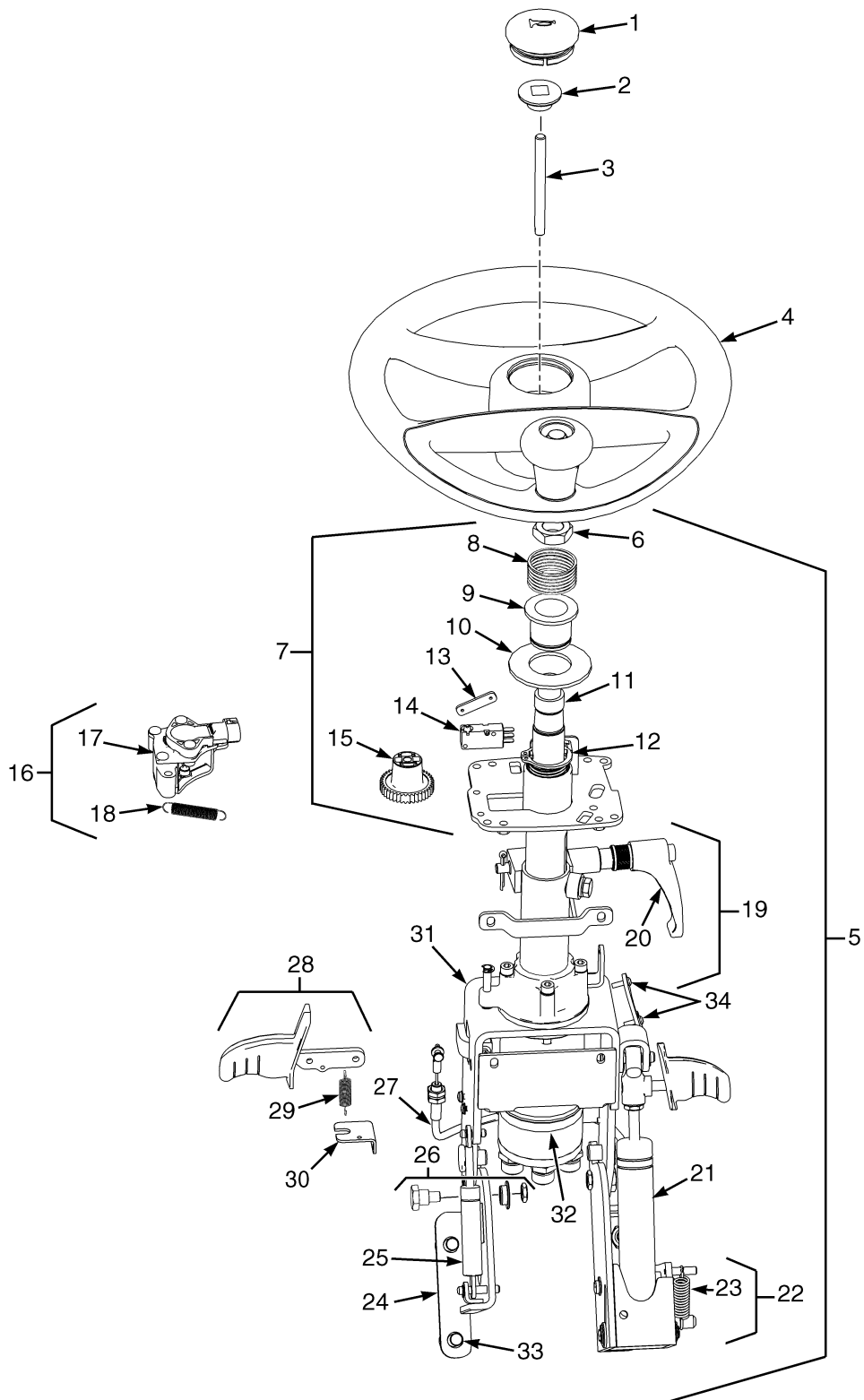


BP220158

**STEER COLUMN  
FIXED**

ITEM	PART NO.	DESCRIPTION	QTY
1	1661883	Horn Button .....	1
2	2111049	Nut (Horn Button) .....	1
3	1661879	Rod .....	1
4	1531563	Steering Wheel (With Spinner) .....	1
4	1586109	Knob Assembly .....	1
4	1675581	Knob .....	1
4	1675582	Cap .....	1
4	1675583	Insert .....	1
4	1551839	Steering Wheel (Without Spinner Knob) .....	1
5	2111289	Steering Column (Fixed) .....	1
6	1562492	Kit-Nut .....	1
7	1707426	Kit-Shaft .....	1
8	.....	Retaining Ring .....	1
9	.....	Spring .....	1
10	.....	Washer .....	1
11	.....	Spring .....	1
12	2046035	Switch .....	1
13	1593347	Plate .....	1
14	.....	Gear .....	1
15	1707407	Kit-Sensor .....	1
16	.....	Sensor .....	1
17	.....	Spring .....	1
18	1707427	Kit-Support .....	1
19	1707429	Kit-Gas Spring .....	1
20	1707428	Kit-Support .....	1
21	1707430	Kit-Support .....	1
22	1707402	Kit-Pivot .....	1
23	1510117	Capscrew .....	4
24	1554902	Screw .....	2
25	.....	Steering Hand Pump (☞Figure 4-6).....	1

## STEER COLUMN (FIGURE 4-4) TELESCOPIC



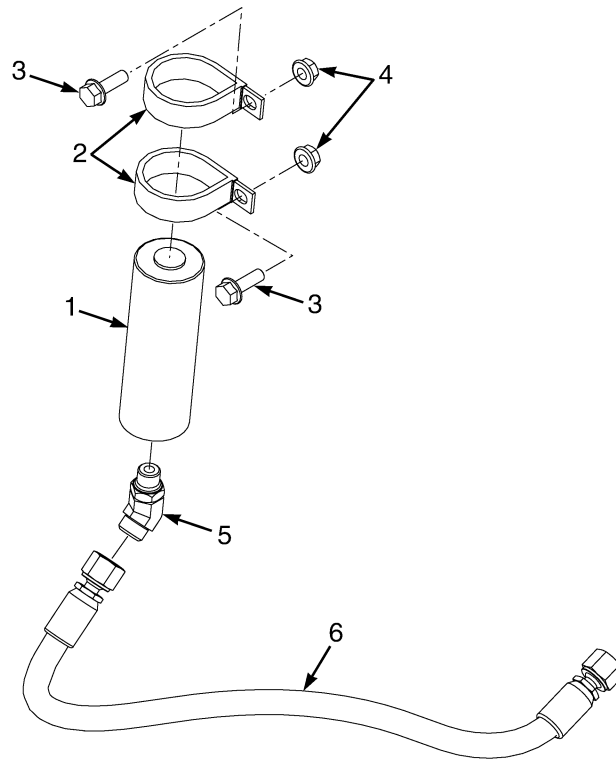
BP220157



**STEER COLUMN  
TELESCOPIC**

ITEM	PART NO.	DESCRIPTION	QTY
1	1661883	Horn Button .....	1
2	2111049	Nut (Horn Button) .....	1
3	1661879	Rod .....	1
4	1531563	Steering Wheel (With Spinner) .....	1
4	1586109	Knob Assembly .....	1
4	1675581	Knob .....	1
4	1675582	Cap .....	1
4	1675583	Insert .....	1
4	1551839	Steering Wheel (Without Spinner Knob) .....	1
5	2111288	Steering Column (Telescopic) .....	1
6	1562492	Kit-Nut .....	1
7	1707399	Kit-Steering Support .....	1
8	.....	Spring .....	1
9	.....	Retaining Ring .....	1
10	.....	Washer .....	1
11	.....	Shaft .....	1
12	.....	Spring .....	1
13	1593347	Plate .....	1
14	2046035	Switch .....	1
15	.....	Gear .....	1
16	1707407	Kit-Sensor .....	1
17	.....	Sensor .....	1
18	.....	Spring .....	1
19	1707398	Kit-Handle .....	1
20	.....	Handle .....	1
21	1707401	Kit-Gas Spring .....	1
22	1707403	Kit-Support .....	1
23	.....	Spring .....	1
24	1707404	Kit-Support .....	1
25	1707405	Kit Lift-O-Mat .....	1
26	1707402	Kit-Pivot .....	1
27	1692284	Cable Assy .....	1
28	1707406	Kit-Lever .....	1
29	.....	Spring .....	1
30	.....	Bracket .....	1
31	1707400	Kit-Support .....	1
32	.....	Steering Hand Pump (☞Figure 4-6).....	1
33	1510117	Capscrew .....	4
34	1554902	Screw .....	2

## STEERING ACCUMULATOR (FIGURE 4-5)

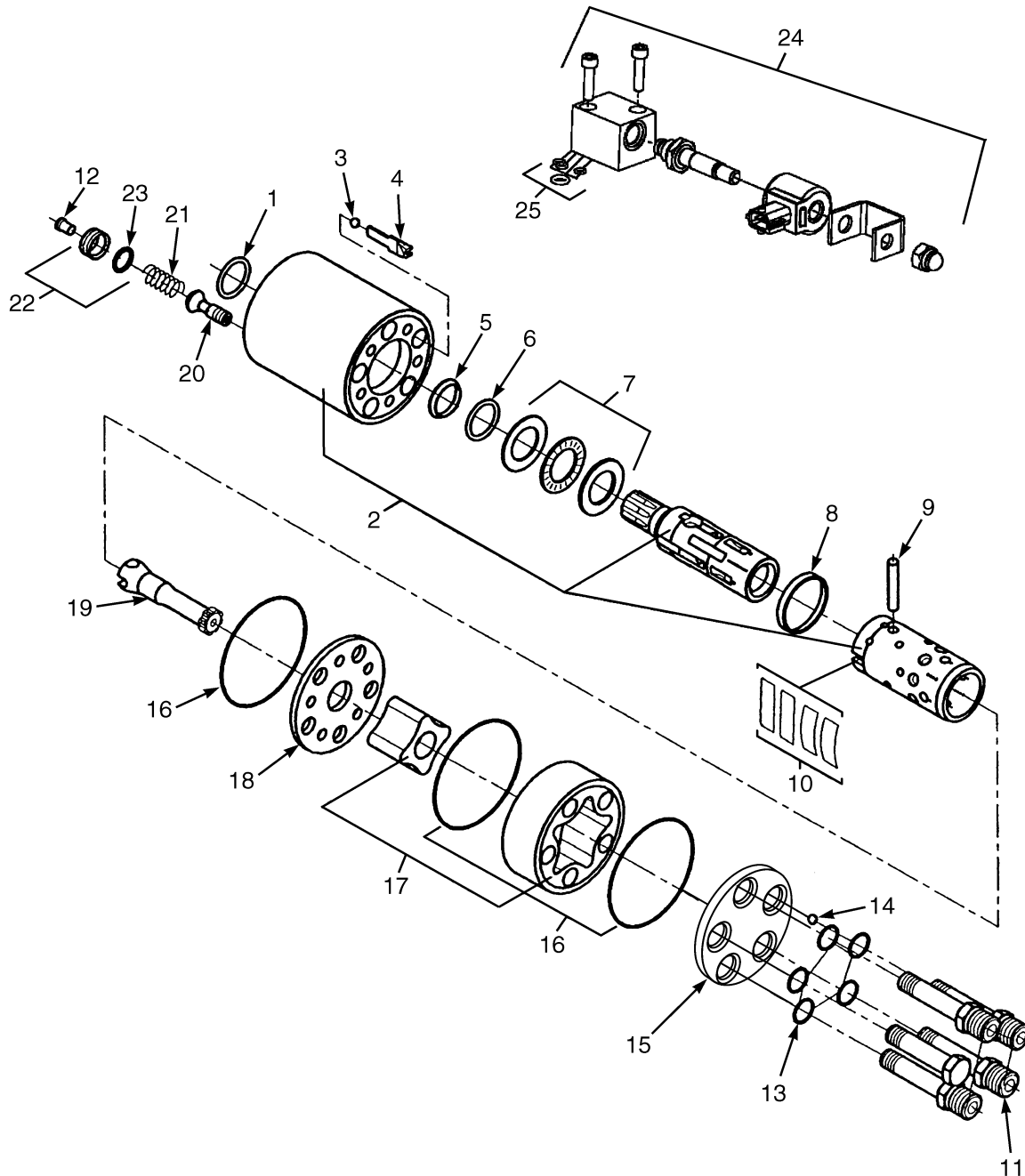


BP220165

ITEM	PART NO.	DESCRIPTION	QTY
1	2110399	Accumulator .....	1
2	181899	Clamp .....	2
3	1510113	Capscrew .....	2
4	4382472	Nut (Flange) .....	2
5	1516199	Fitting .....	1
5	265787	O-Ring .....	1
5	16483	O-Ring .....	1
6	4603279	Hose Assy .....	1



## STEER PUMP ASSEMBLY (FIGURE 4-6)



BP220150

**STEER PUMP ASSEMBLY**

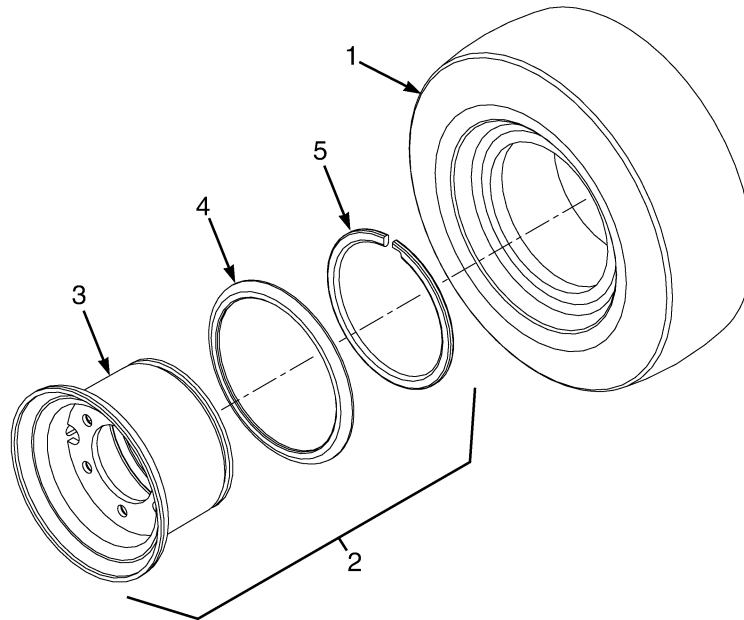
**KEY:**

**A: Without Sync Steer**

**B: With Sync Steer**

ITEM	PART NO.	DESCRIPTION	QTY	
			A	B
	1654876	Steering Hand Pump .....	1	..
	1654877	Steering Hand Pump .....	..	1
1	1467390	Dust Seal .....	1	1
2	.....	Housing Spool and Sleeve .....	1	1
3	.....	Ball .....	1	1
4	.....	Ball Stop .....	1	1
5	.....	Shaft Seal .....	1	1
6	1467424	Seal (Integrated Column) .....	1	1
7	.....	Bearing .....	1	1
8	.....	Ring .....	1	1
9	.....	Pin (Cross) .....	1	1
10	.....	Kit Spring .....	1	1
11	.....	Screw (With O-Ring) .....	5	5
12	.....	Cap .....	1	1
13	.....	O-Ring .....	5	5
14	.....	Ball .....	1	1
15	.....	End Cover .....	1	1
16	.....	O-Ring .....	3	3
17	.....	Gearwheel Set .....	1	1
18	.....	Plate .....	1	1
19	.....	Shaft .....	1	1
20	.....	Relief Valve .....	1	1
21	.....	Spring (Relief Valve) .....	1	1
22	.....	Adjusting Screw .....	1	1
23	1467425	O-Ring .....	1	1
24	.....	Solenoid .....	..	1
25	.....	Solenoid Rings .....	..	1
	1467430	Kit-Seal .....	1	1
	1705632	Kit-Solenoid .....	..	1

## STEER TIRE AND WHEEL (FIGURE 4-7)



BP220166

**KEY:**

- A:** Pneumatic
- B:** Pneumatic-Solid (Snap On Tire)
- C:** Pneumatic-Solid (Non-Marking)

ITEM	PART NO.	DESCRIPTION	QTY		
			A	B	C
	1709817	Wheel And Tire .....	2	..	..
	4012534	Wheel And Tire .....	..	2	..
	4012501	Wheel And Tire .....	..	..	2
1	1657915	Tire And Tube (18 X 7-8) .....	1	..	..
1	4012484	Solid Pneumatic Tire .....	..	1	..
1	4012486	Solid Pneumatic Tire .....	..	..	1
2	2111803	Wheel Assy .....	1	..	..
3	2111804	Wheel .....	1	1	1
4	2026224	Side Ring .....	1	..	..
5	2026225	Lock Ring .....	1	..	..

**5**

**BRAKE/ACCELERATOR SYSTEM**





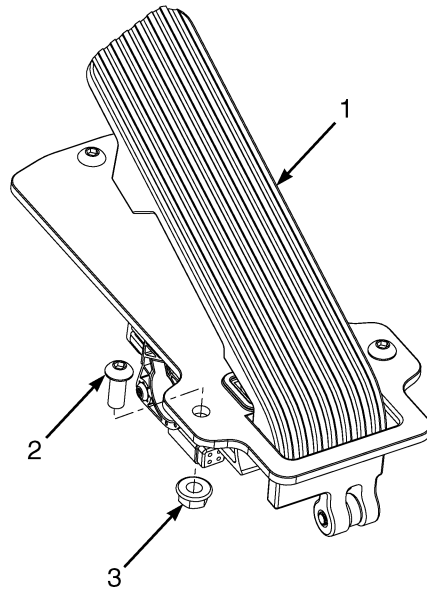
**SECTION 5  
BRAKE/ACCELERATOR SYSTEM**

---

<b>DESCRIPTION</b>	<b>PAGE</b>
ACCELERATOR PEDAL ASSEMBLY (MONOTROL) .....	5-3
ACCELERATOR PEDAL ASSEMBLY (STANDARD) .....	5-2
BRAKE PEDAL LINKAGE .....	5-4
MASTER CYLINDER .....	5-6
PARK BRAKE RELEASE .....	5-8
PARKING BRAKE VALVE .....	5-10

---

## ACCELERATOR PEDAL ASSEMBLY (STANDARD) (FIGURE 5-1)



BP040142

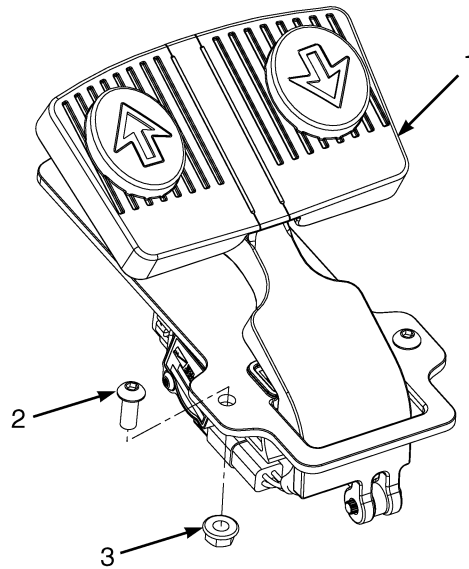
ITEM	PART NO.	DESCRIPTION	QTY
1	<b>a</b> 2094798	Accelerator Pedal (Standard) .....	1
1	<b>b</b> 4016800	Accelerator Pedal (Standard w/ Pad) .....	1
1	<b>b</b> 4016802	Accelerator Pedal (Cover) .....	1
2	369242	Capscrew .....	3
3	313828	Nut .....	3

**FOOTNOTES:**

**a** → S/N A276B01995J

**b** S/N A276B01996J →

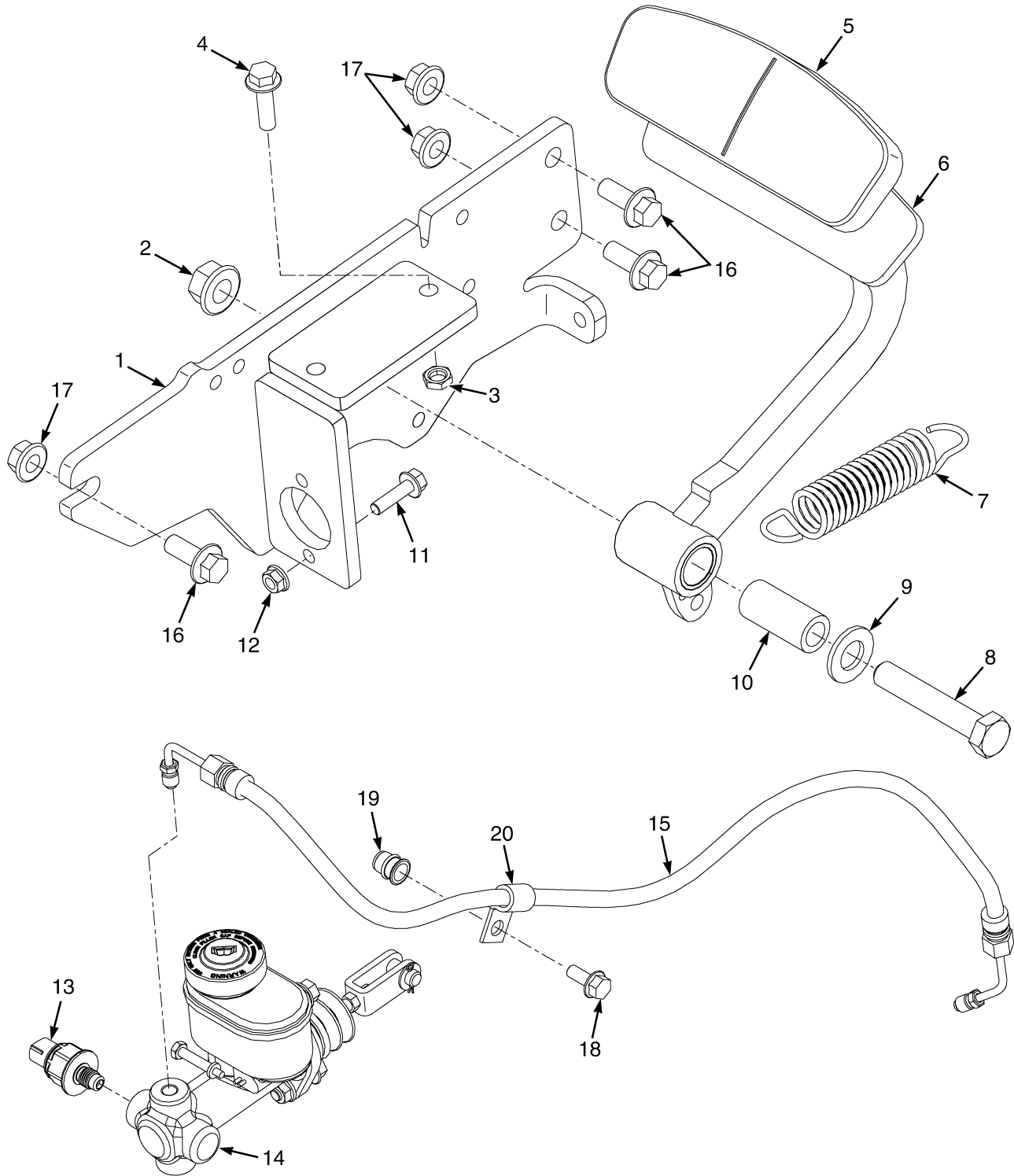
**ACCELERATOR PEDAL ASSEMBLY (MONOTROL) (FIGURE 5-2)**



BP040141

ITEM	PART NO.	DESCRIPTION	QTY
1	4652183		
	4050140	Accelerator Pedal .....	1
2	369242	Capscrew .....	3
3	313828	Nut .....	3

## BRAKE PEDAL LINKAGE (FIGURE 5-3)

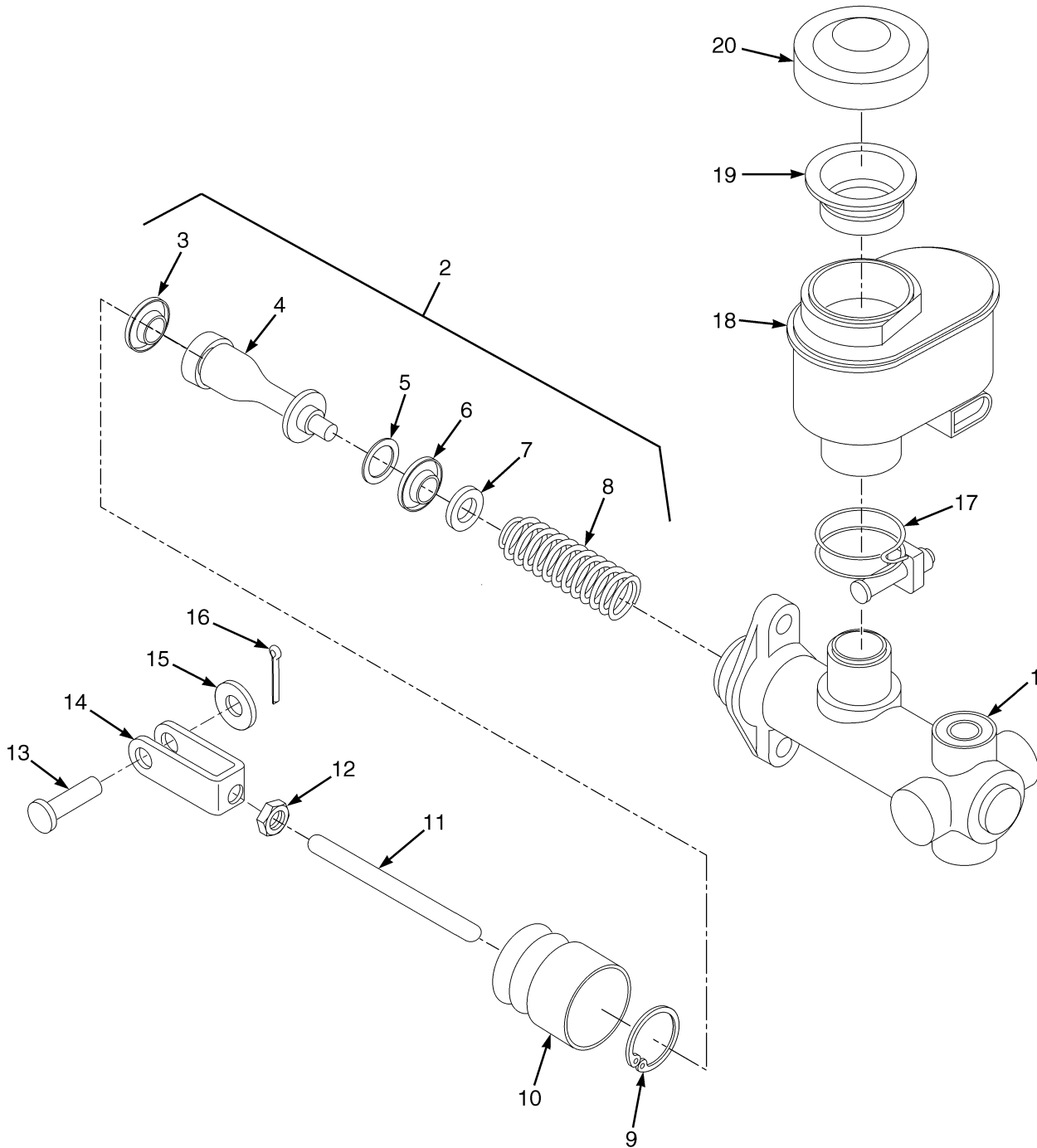


BP040020

**BRAKE PEDAL LINKAGE**

ITEM	PART NO.	DESCRIPTION	QTY
	4008546		
	4017992	Brake Assy .....	1
1	4010475	Mounting Weldment .....	1
2	1586436	Nut .....	1
3	1593336	Nut .....	2
4	1527885	Capscrew .....	1
5	1673283	Pad (Brake Pedal) .....	1
6	4006060		
	4017984	Pedal Assy (Brake) .....	1
6	4006059		
	4017983	Plate Wldmt (Brake Pedal) .....	1
6	66359	Bushing .....	2
7	1340998	Spring .....	1
8	292570	Capscrew .....	1
9	296429	Washer .....	1
10	1656319	Tube .....	1
11	1527881	Capscrew .....	2
12	1382472		
	1502543	Nut (Flange) .....	2
13	1707679	Pressure Transducer .....	1
14	1656046	Master Cylinder (☞Figure 5-4).....	1
15	2106956	Hose Assy .....	1
16	1527888	Capscrew .....	3
17	1370949		
	1528888	Nut (Shoulder) .....	3
18	1527880	Capscrew .....	1
19	1530243	Insert .....	1
20	124297	Clamp .....	1

## MASTER CYLINDER (FIGURE 5-4)



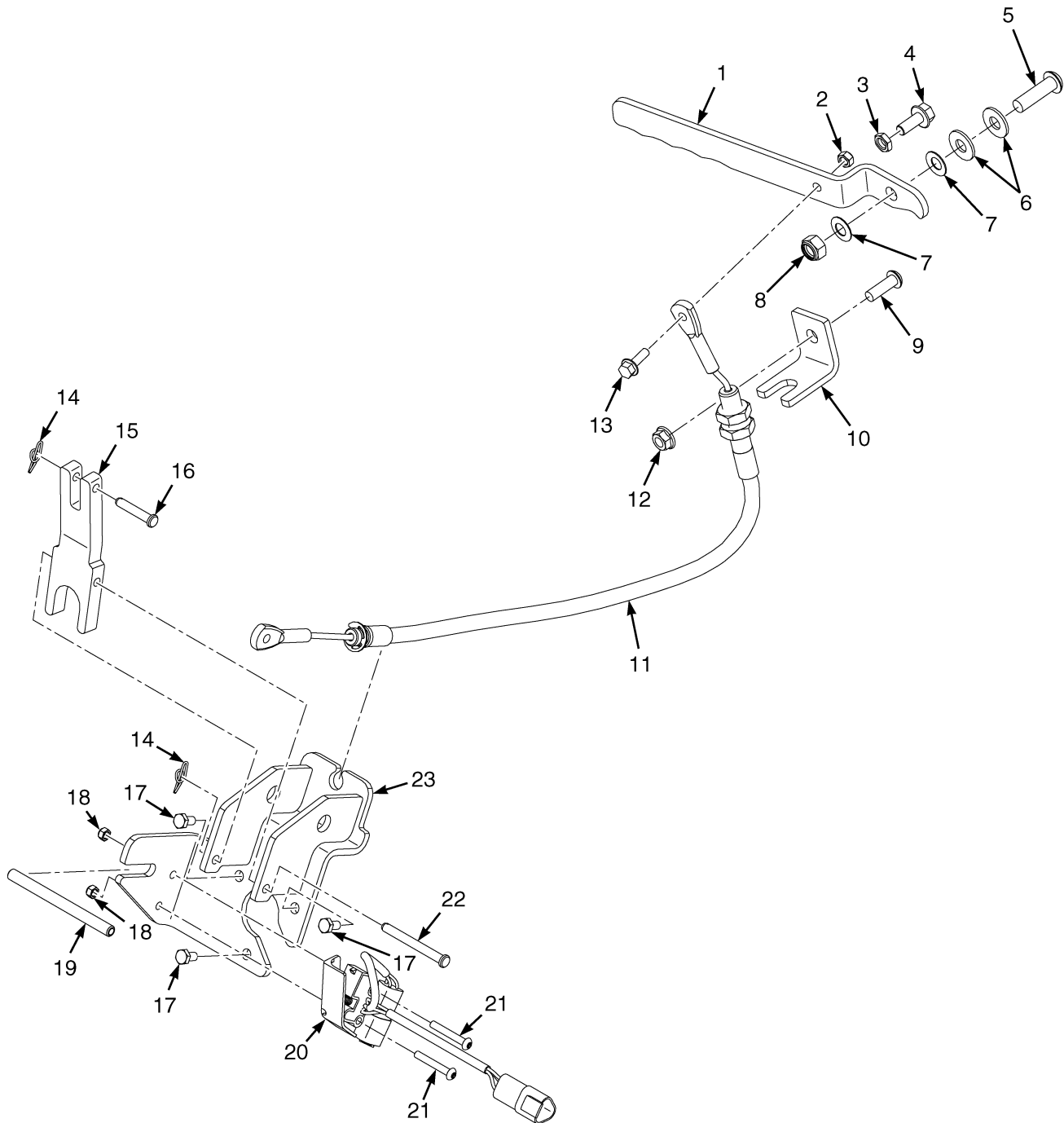
BP040118

**MASTER CYLINDER**

ITEM	PART NO.	DESCRIPTION	QTY
	1656046	Master Cylinder (Assembly) .....	1
1	.....	Master Cylinder .....	1
2	.....	Piston Assembly .....	1
3	.....	Cup .....	1
4	.....	Piston .....	1
5	.....	Spacer .....	1
6	.....	Cup .....	1
7	.....	Retainer .....	1
8	.....	Spring .....	1
9	.....	Retaining Ring .....	1
10	1556397	Boot .....	1
11	1671849	Push Rod .....	1
12	1671850	Nut .....	1
13	1671852	Pin .....	1
14	1556263	Yoke .....	1
15	1556266	Washer .....	1
16	1671853	Split Pin .....	1
17	1671854	Clamp .....	1
18	.....	Reservoir .....	1
19	.....	Gasket .....	1
20	.....	Cap .....	1
	<b>a</b> 1684101	Switch .....	1
	1671867	Repair Kit .....	1

**FOOTNOTES:****a** Not Illustrated

## PARK BRAKE RELEASE (FIGURE 5-5)



BP040132



**PARK BRAKE RELEASE**

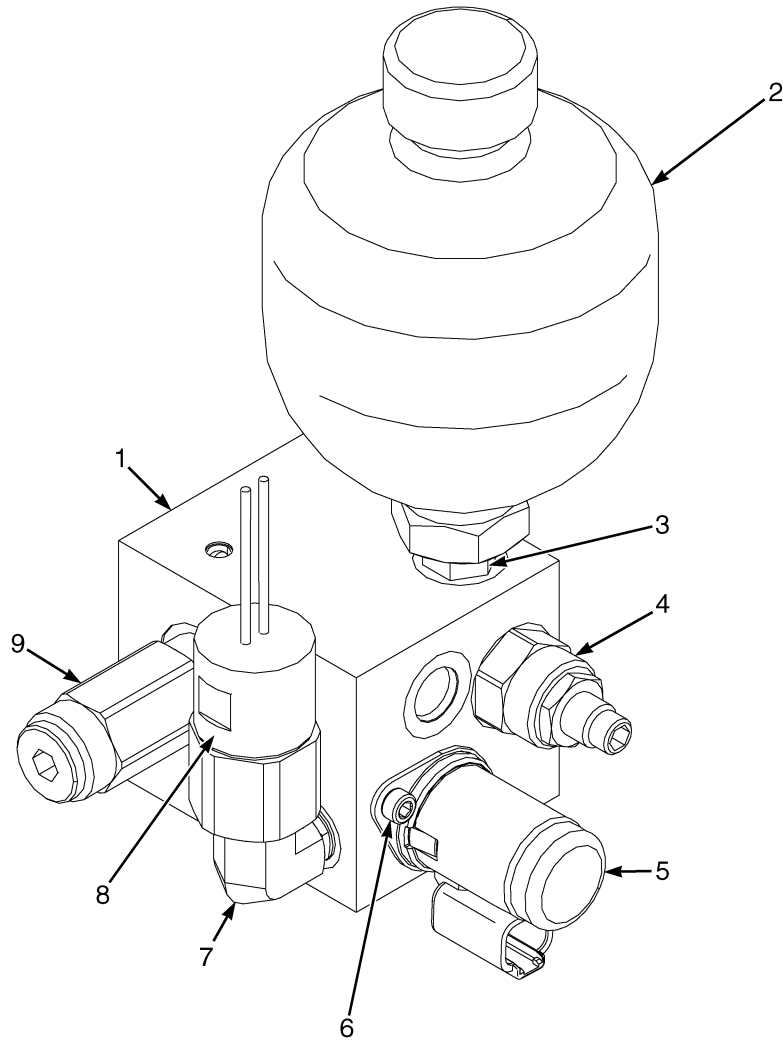
ITEM	PART NO.	DESCRIPTION	QTY
1	4007501	Handle .....	1
2	<del>1512440</del>		
	302399	Nut .....	1
3	1593335	Nut .....	1
4	<b>a</b> 1527880	Capscrew .....	1
4	<b>d</b> 296166	Capscrew .....	1
5	302401	Locknut .....	1
6	320160	Washer .....	2
7	1581747	Disk Spring .....	2
8	296175	Capscrew .....	1
9	<del>1382472</del>		
	1502543	Nut (Flange) .....	1
10	1705207	Plate (Bracket) .....	1
11	<b>a</b> 4600890	Cable (Park Brake) .....	1
11	<b>d</b> 4604897	Cable (Side Removal) .....	1
12	<b>a</b> 1510113	Capscrew .....	1
12	<b>d</b> 296167	Capscrew .....	1
13	1527878	Capscrew .....	1
14	1517361	Locking Ring Cotter Pin .....	2
15	4002416	Plate .....	1
16	377440	Rod End Pin .....	1
17	1673312	Capscrew .....	3
18	302398	Locknut .....	2
19	19937	Roll Pin .....	1
20	1547849	Sensor (Brake Position) .....	1
21	1553897	Capscrew .....	2
22	1705206	Pin .....	1
23	<b>bc</b> 4002419	Mounting Weldment .....	1
23	<b>ef</b> 4039358	Mounting Weldment (Parking Brake) .....	1

**FOOTNOTES:**

**a** → PENDING PER ECN 10636918  
**b** → S/N A276B03242K (Long Wheel Base)  
**c** → S/N A276B03248K (Short Wheel Base)

**d** PENDING PER ECN 10636918 →  
**e** S/N A276B03243K → (Long Wheel Base)  
**f** S/N A276B03249K → (Short Wheel Base)

**PARKING BRAKE VALVE (FIGURE 5-6)**



BP040146

**PARKING BRAKE VALVE**

ITEM	PART NO.	DESCRIPTION	QTY
	4009543	Parking Brake Valve .....	1
	4017848	Parking Brake Valve (Alternate Part) .....	1
1	.....	Housing .....	1
2	1701259	Accumulator .....	1
3	1701257	Fitting .....	1
4	1701260	Valve (Flow Control) .....	1
4	<del>1615769</del>		
	1701394	Locknut .....	1
4	1701265	Kit-Seal Valve .....	1
5	1701262	Solenoid Valve .....	1
5	1701263	Kit-Seal Valve .....	1
6	1701255	Capscrew .....	2
8	4014440	Pressure Switch .....	1
8	4021141	Pressure Switch (Alternate Part) .....	1
8	16481	O-Ring .....	1
9	1701261	Valve (Pressure Relief) .....	1
9	1701264	Kit-Seal Valve .....	1
	<b>a</b> 4021140	Plug .....	1

**FOOTNOTES:****a** Not Illustrated



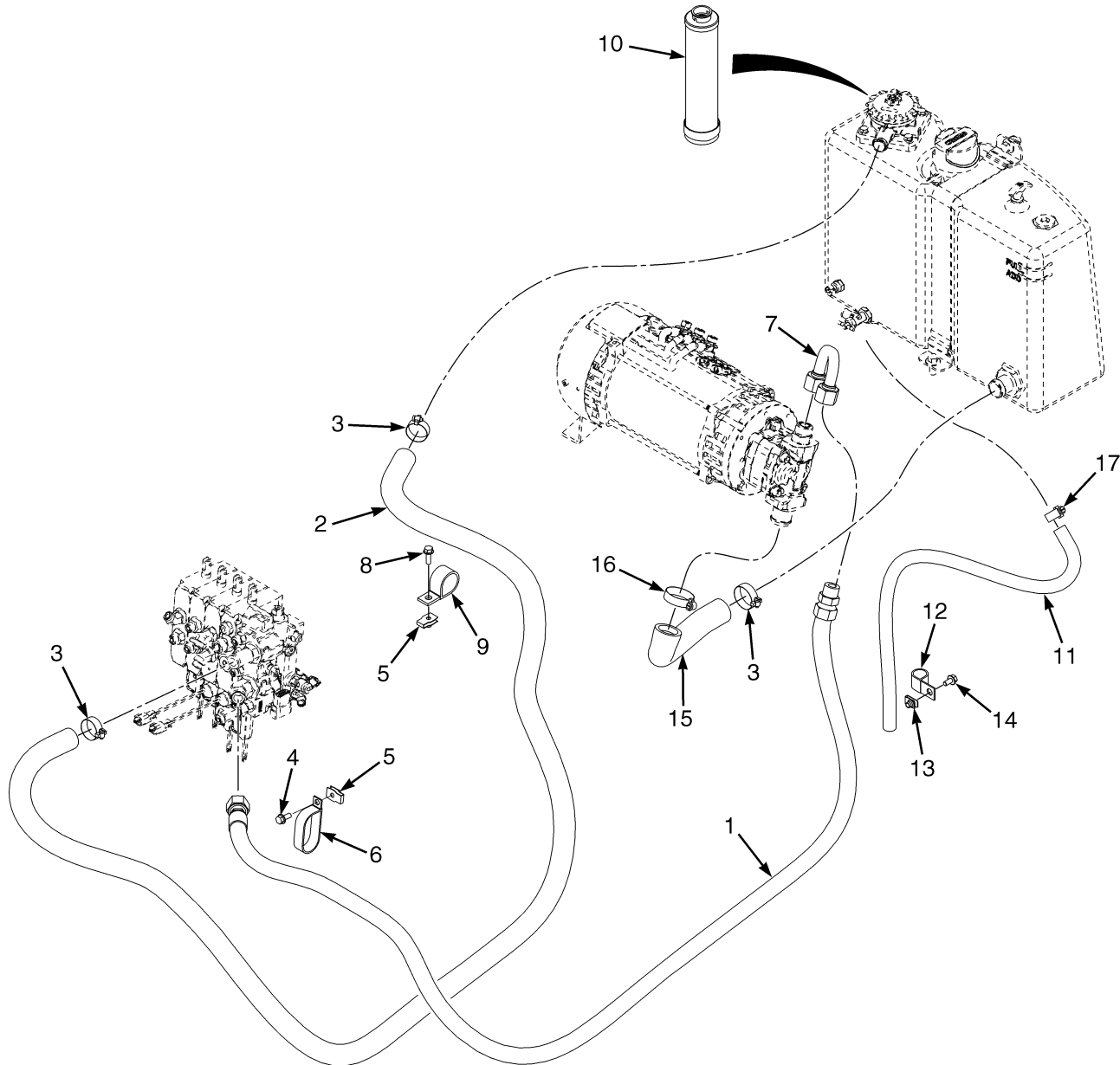




## SECTION 6 HYDRAULIC SYSTEM

DESCRIPTION	PAGE
HYDRAULIC CONTROL VALVE AND ATTACHING PARTS	
ELECTRONIC - THREE AND FOUR FUNCTION .....	6-36
MANUAL - THREE AND FOUR FUNCTION .....	6-28
HYDRAULIC CONTROL VALVE ASSEMBLY	
ELECTRONIC - THREE AND FOUR FUNCTION .....	6-38
MANUAL - THREE AND FOUR FUNCTION .....	6-30
HYDRAULIC FILTER HOUSING .....	6-14
HYDRAULIC HOSES	
HOIST, TILT AND MAST .....	6-8
PARKING BRAKE VALVE .....	6-10
STEER AXLE .....	6-6
STEERING .....	6-4
SUPPLY AND RETURN .....	6-2
HYDRAULIC PUMP	
19 CC .....	6-18
HYDRAULIC PUMP AND MOTOR ASSEMBLY	
72/80 VOLT .....	6-16
HYDRAULIC TANK AND ATTACHING PARTS .....	6-12
MANUAL CONTROL LEVERS .....	6-24
PUMP MOTOR	
72/80 VOLT .....	6-20
TILT CYLINDER AND MAST INSTALLATION .....	6-42
TILT CYLINDERS	
J2.2-2.5XN .....	6-44
J3.0-3.5XN .....	6-46
VALVE ASSEMBLY	
INLET SECTION - MANUAL AND ELECTRONIC .....	6-34
LIFT, TILT, AND AUXILIARY - MANUAL HYDRAULIC .....	6-32
LIFT, TILT, AND AUXILIARY - ELECTRIC HYDRAULIC .....	6-40

## HYDRAULIC HOSES (FIGURE 6-1) SUPPLY AND RETURN



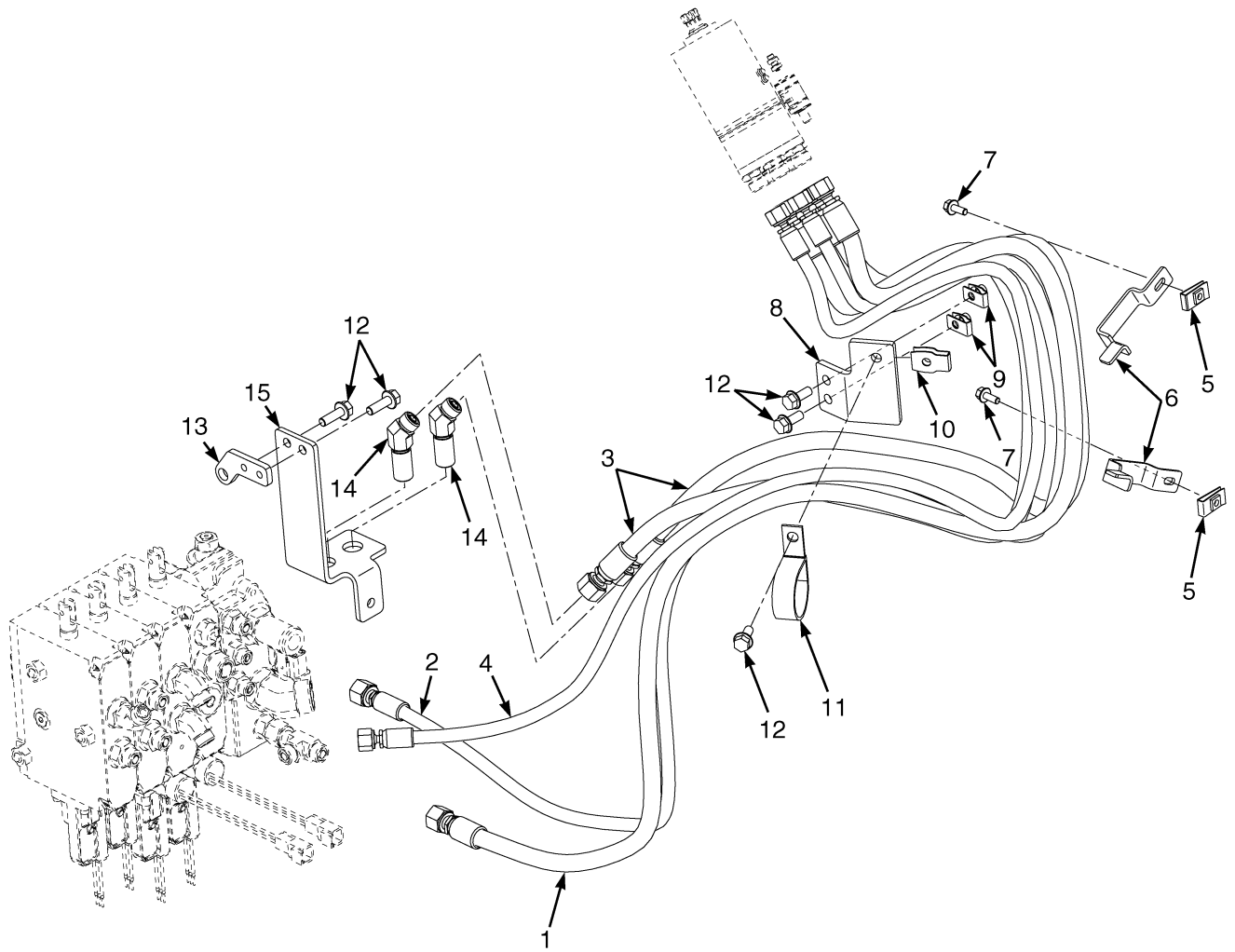
BP150357



**HYDRAULIC HOSES  
SUPPLY AND RETURN**

ITEM	PART NO.	DESCRIPTION	QTY
1	2096697	Hose Assy (Long Wheel-Base) .....	1
1	2096888	Hose Assy (Short Wheel-Base) .....	1
2	2096694	Hose Assy (Long Wheel-Base) .....	1
2	2096887	Hose Assy (Short Wheel-Base) .....	1
3	127045	Clamp (Hose) .....	3
4	1527880	Capscrew .....	1
5	1393879	Nut .....	2
6	298829	Clamp .....	1
7	4605201	Tube Assy .....	1
8	1510113	Capscrew .....	1
9	1473858	Clamp .....	1
10	2099416	Element (Filter) .....	1
11	2101120	Hose Assy .....	1
12	1352554	Clamp (Insulated) .....	1
13	1480237	Nut .....	1
14	1527879	Capscrew .....	1
15	2096695	Hose .....	1
16	119236	Clamp .....	1
17	130845	Clamp .....	1

## HYDRAULIC HOSES (FIGURE 6-2) STEERING

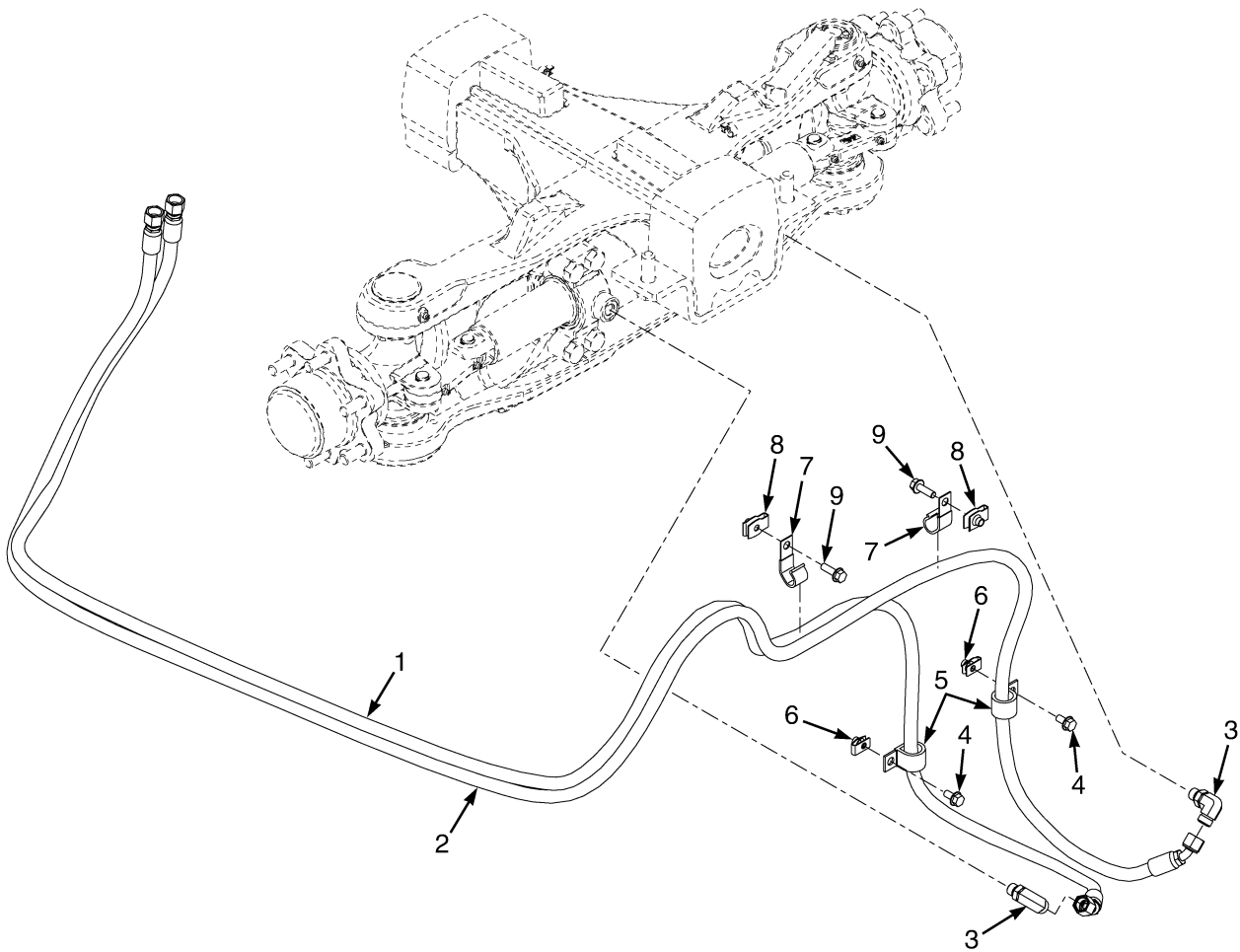


BP150356

**HYDRAULIC HOSES  
STEERING****KEY:****A: With Sync/Telescopic Steering****B: Without Sync/Telescopic Steering**

ITEM	PART NO.	DESCRIPTION	QTY	
			A	B
1	4603673	Hose Assy (Steer Column) .....	1	..
1	4603670	Hose Assy (Steer Column) .....	..	1
2	4603672	Hose Assy (Steer Column) .....	1	..
2	4603669	Hose Assy (Steer Column) .....	..	1
3	4600939	Hose Assy (Steer Column) .....	2	..
3	4600937	Hose Assy (Steer Column) .....	..	2
4	4603674	Hose Assy (Steer Column) .....	1	..
4	4603671	Hose Assy (Steer Column) .....	..	1
5	325182	Nut .....	2	2
6	1660274	Bracket (Steer Hose) .....	2	2
7	1527876	Capscrew .....	2	2
8	4010024	Bracket .....	1	1
9	1480237	Nut .....	2	2
10	1393879	Nut .....	1	1
11	1547845	Clamp .....	1	1
12	1510113	Capscrew .....	5	5
13	4011099	Plate .....	1	1
14	1528587	Fitting .....	2	2
14	265787	O-Ring .....	2	2
15	4004950	Bracket .....	1	1

## HYDRAULIC HOSES (FIGURE 6-3) STEER AXLE

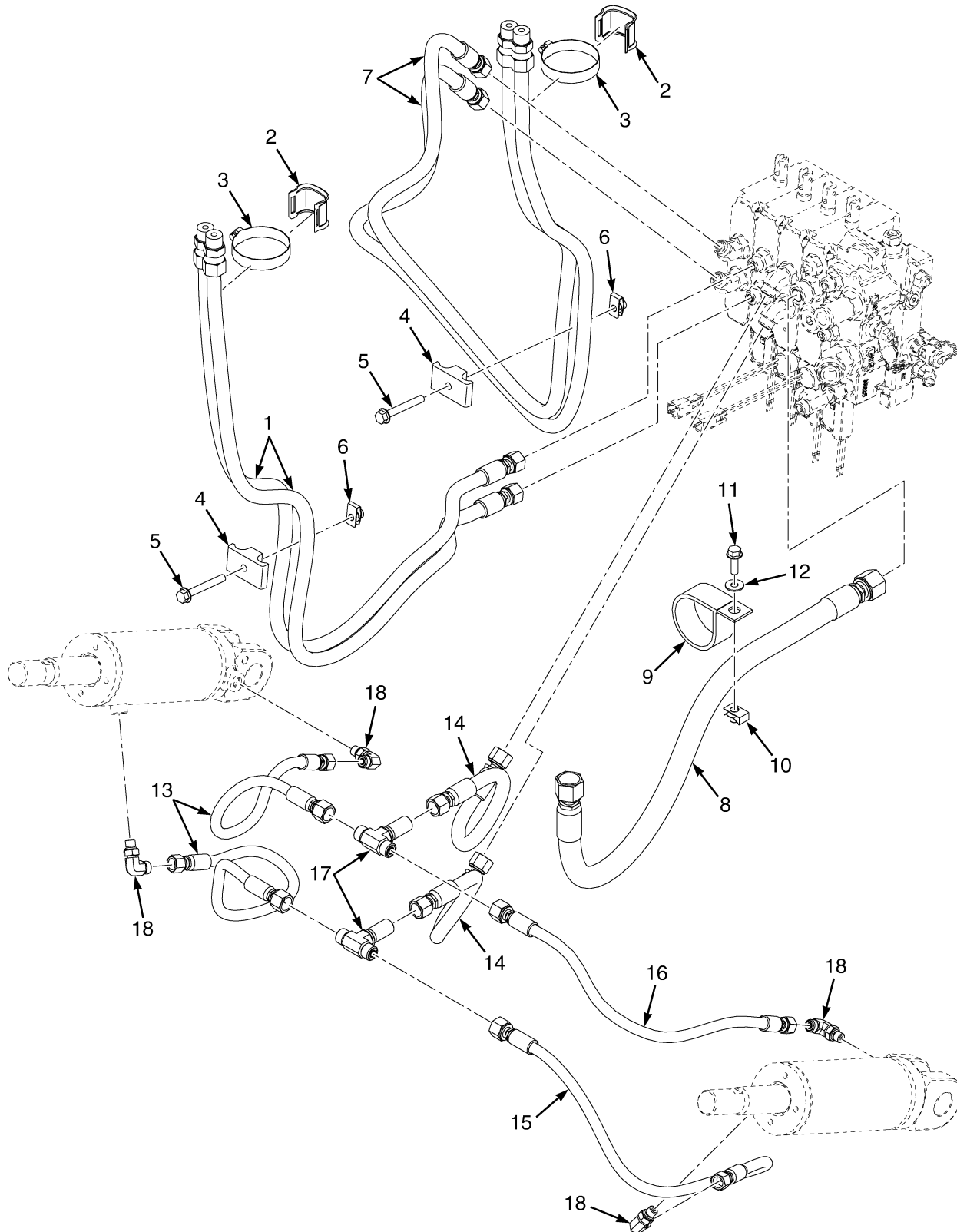


BP150361

**HYDRAULIC HOSES  
STEER AXLE**

ITEM	PART NO.	DESCRIPTION	QTY
1	4603505	Hose Assy (Long Wheel-Base) .....	1
1	4603507	Hose Assy (Short Wheel-Base) .....	1
2	4603506	Hose Assy (Long Wheel-Base) .....	1
2	4603508	Hose Assy (Short Wheel-Base) .....	1
3	1487063	Fitting .....	2
3	4024929	Fitting (Alternate Part) .....	2
4	1527879	Capscrew .....	2
5	153069	Clamp .....	2
6	1480237	Nut .....	2
7	1339465	J-Clamp Insulated .....	2
8	1393879	Nut .....	2
9	1510113	Capscrew .....	2

## HYDRAULIC HOSES (FIGURE 6-4) HOIST, TILT AND MAST

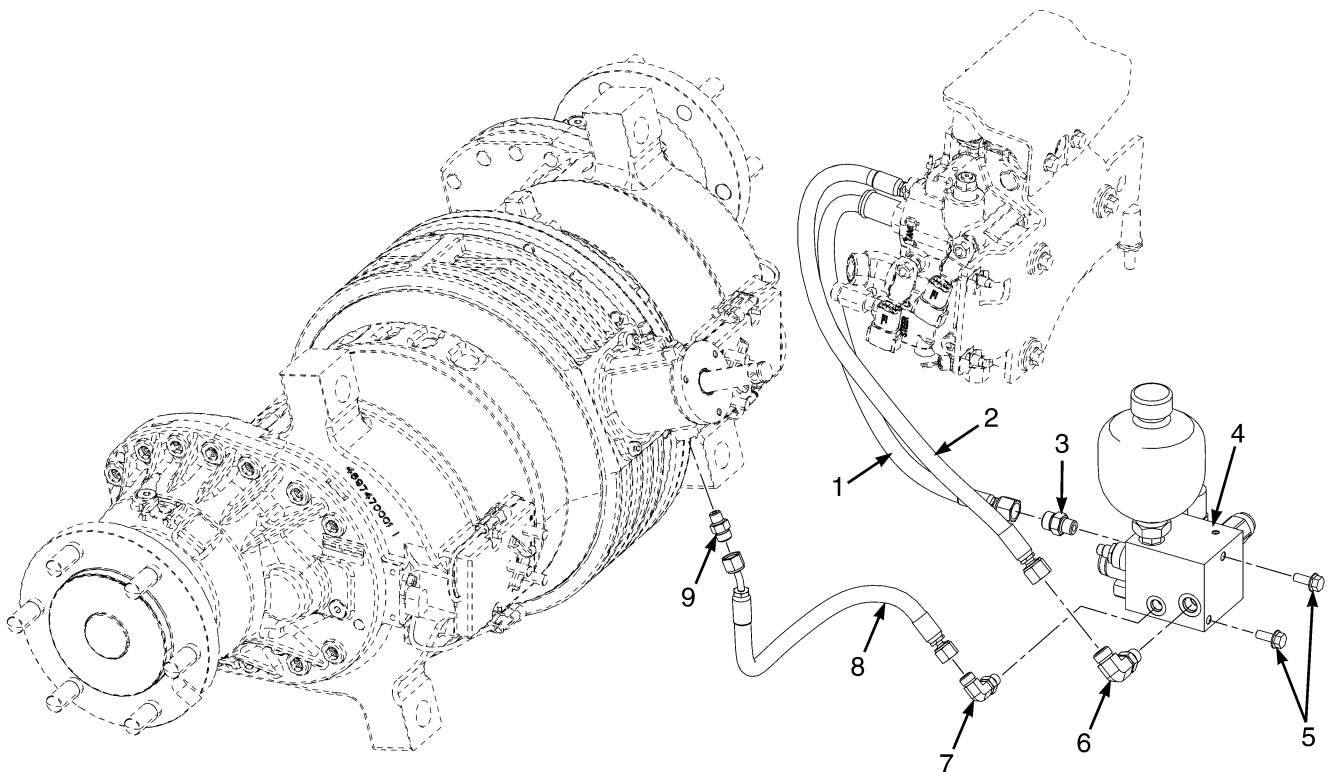


BP150358

**HYDRAULIC HOSES  
HOIST, TILT AND MAST**

ITEM	PART NO.	DESCRIPTION	QTY
1	2096710	Hose Assy (Third Function) .....	1
2	1477996	Hose Clamp .....	2
3	1481229	Clamp .....	2
4	1605479	Hose Clamp (Dual Hose) .....	2
5	1510116	Capscrew .....	2
6	1480237	Nut .....	2
7	2096714	Hose Assy (Fourth Function) .....	1
8	4604277	Hose Assy (Hoist) (Without Load Weight Option) .....	1
8	4604278	Hose Assy (Hoist) (With Load Weight Option) .....	1
9	1384699	Clamp .....	1
10	1398062	Nut (Fold Over) .....	1
11	1510113	Capscrew .....	1
12	320158	Washer .....	1
13	4600952	Hose Assy (Tilt Line) .....	2
13	4606586	Hose Assy (Alternate Part) .....	1
14	2096699	Hose Assy (Tilt Line) .....	2
15	4603124	Hose Assy .....	1
16	4603125	Hose Assy .....	1
16	4603125	Hose Assy (Alternate Part) .....	2
17	1644602	Fitting .....	2
17	265787	O-Ring .....	2
18	1487058	Fitting .....	4
18	1527813	O-Ring .....	1
18	16481	O-Ring .....	1

## HYDRAULIC HOSES (FIGURE 6-5) PARKING BRAKE VALVE

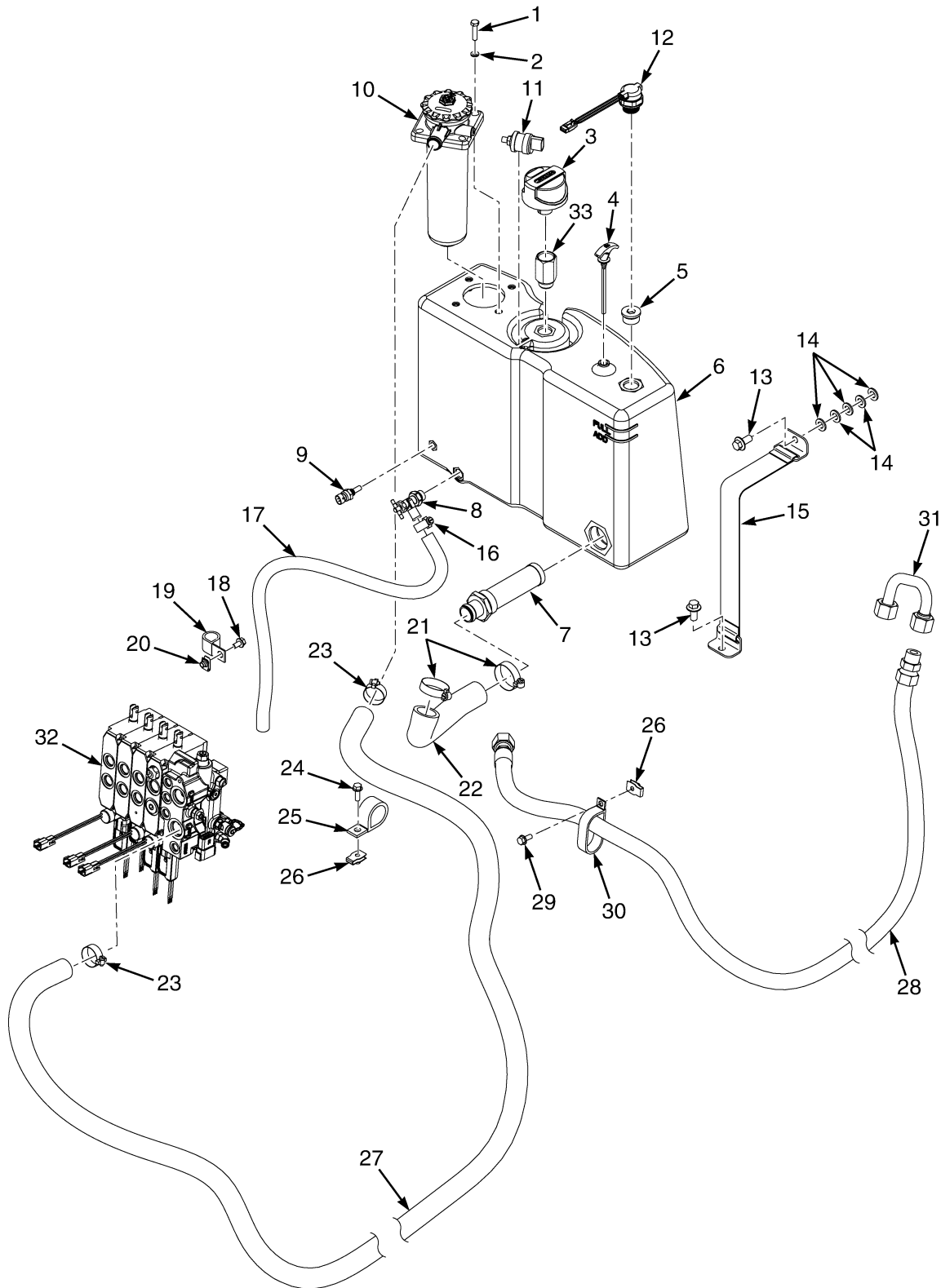


BP150446



ITEM	PART NO.	DESCRIPTION	QTY
1	2102542	Hose Assy (Park Brake) .....	1
2	2102540	Hose Assy (Park Brake) .....	1
3	1486740	Fitting .....	1
4	4017848	Parking Brake Valve (☞ Figure 5-6).....	1
5	1527880	Capscrew .....	2
6	1487063	Fitting .....	1
7	1487058	Fitting .....	1
8	2102541	Hose Assy (Park Brake) .....	1
9	1486737	Fitting .....	1

## HYDRAULIC TANK AND ATTACHING PARTS (FIGURE 6-6)

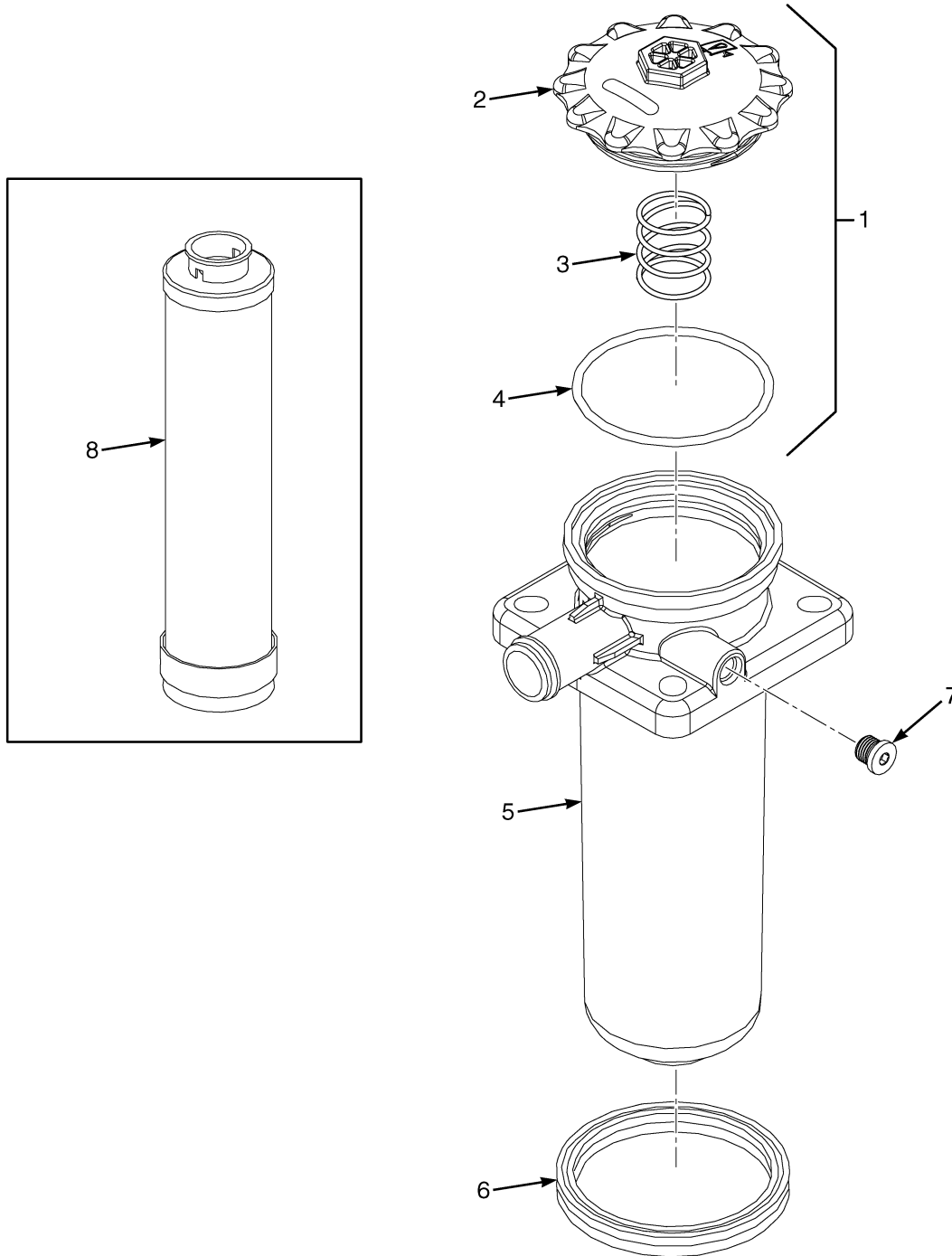


BP150463

**HYDRAULIC TANK AND ATTACHING PARTS**

ITEM	PART NO.	DESCRIPTION	QTY
	.....	Hydraulic Tank (Assembly) .....	1
1	132861	Capscrew .....	4
2	292681	Lockwasher .....	4
3	1582161	Breather .....	1
3	16486	O-Ring .....	1
4	4606667	Dipstick .....	1
4	1580682	O-Ring .....	1
5	200659	Fitting .....	1
5	16982	O-Ring .....	1
6	2106559	Hydraulic Tank .....	1
7	1624903	Strainer .....	1
7	16984	O-Ring .....	1
8	2099578	Drain Valve .....	1
9	1515654	Temperature Sensor .....	1
10	1642038	Filter (Hydraulic) (☞Figure 6-7).....	1
11	2068337	Pressure Switch .....	1
12	1650732	Sensor (Tank Level) .....	1
13	1690977	Bolt .....	2
14	320161	Washer .....	5
15	1673402	Strap .....	1
16	130845	Clamp .....	1
17	2101120	Hose Assy .....	1
18	1527879	Capscrew .....	1
19	1352554	Clamp (Insulated) .....	1
20	1480237	Nut .....	1
21	119236	Clamp .....	2
22	2096695	Hose .....	1
23	127045	Clamp (Hose) .....	2
24	1510113	Capscrew .....	1
25	1473858	Clamp .....	1
26	1393879	Nut .....	1
27	2096887	Hose Assy (Short Wheel Base) .....	1
27	2096694	Hose Assy (Long Wheel Base) .....	1
28	2096888	Hose Assy (Short Wheel Base) .....	1
28	2096697	Hose Assy (Long Wheel Base) .....	1
29	1527880	Capscrew .....	1
30	298829	Clamp .....	1
31	2096696	Tube Assy .....	1
31	1487166	Fitting .....	2
31	280154	O-Ring .....	1
32	.....	Hydraulic Valve Assembly (☞Figure 6-12, ☞Figure 6-13, ☞Figure 6-16, ☞Figure 6-17).....	1
33	4027207	Fitting .....	1

**HYDRAULIC FILTER HOUSING (FIGURE 6-7)**

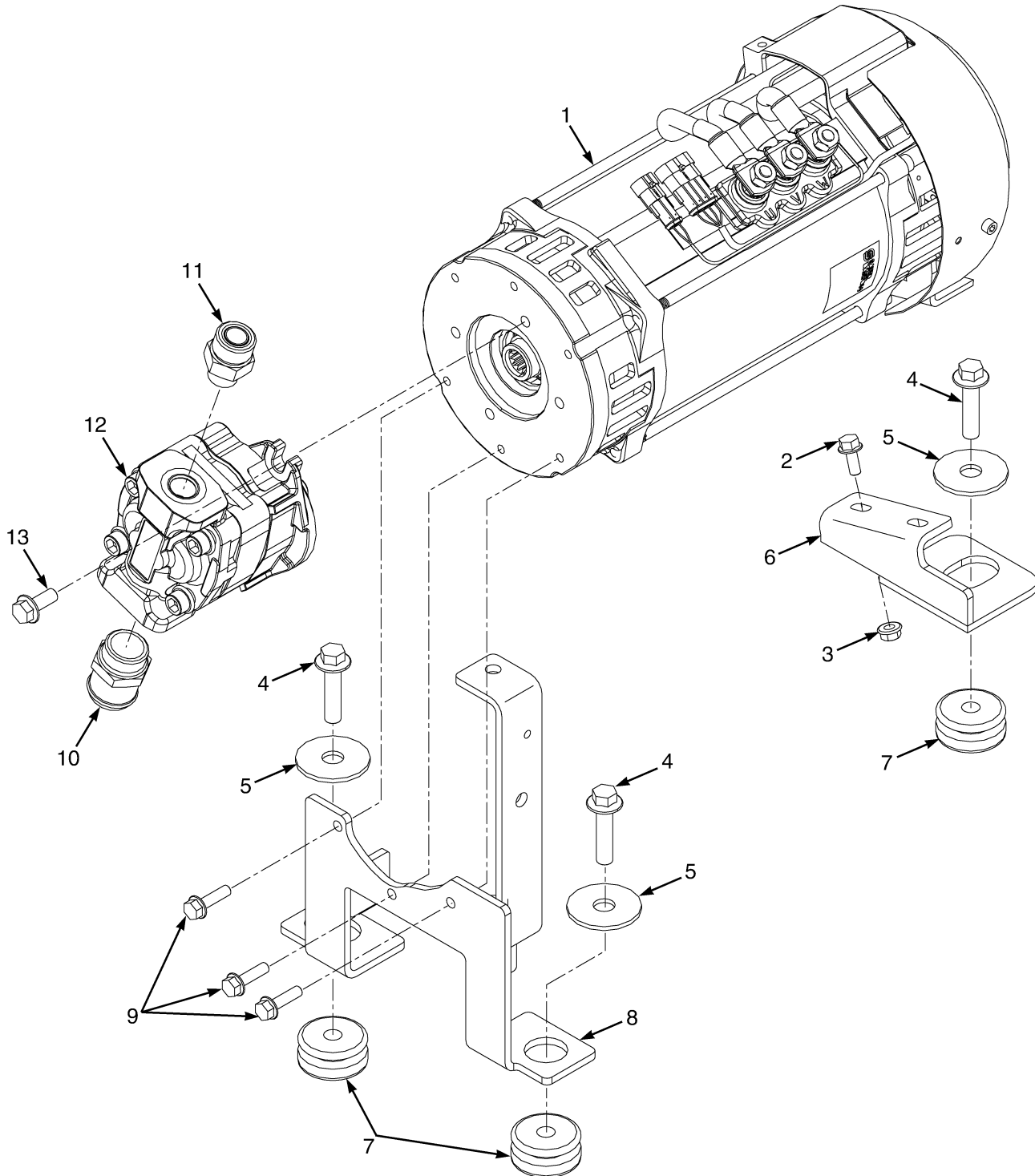


BP150460

**HYDRAULIC FILTER HOUSING**

ITEM	PART NO.	DESCRIPTION	QTY
	1642038	Filter (Hydraulic) .....	1
1	1676341	Cover Assembly .....	1
2	.....	Lid .....	1
3	.....	Spring .....	1
4	.....	Seal .....	1
5	1676335	Cover .....	1
6	.....	Quad Ring .....	1
7	222442	Fitting .....	1
	1676342	Kit-Seal .....	1

## HYDRAULIC PUMP AND MOTOR ASSEMBLY (FIGURE 6-8) 72/80 VOLT

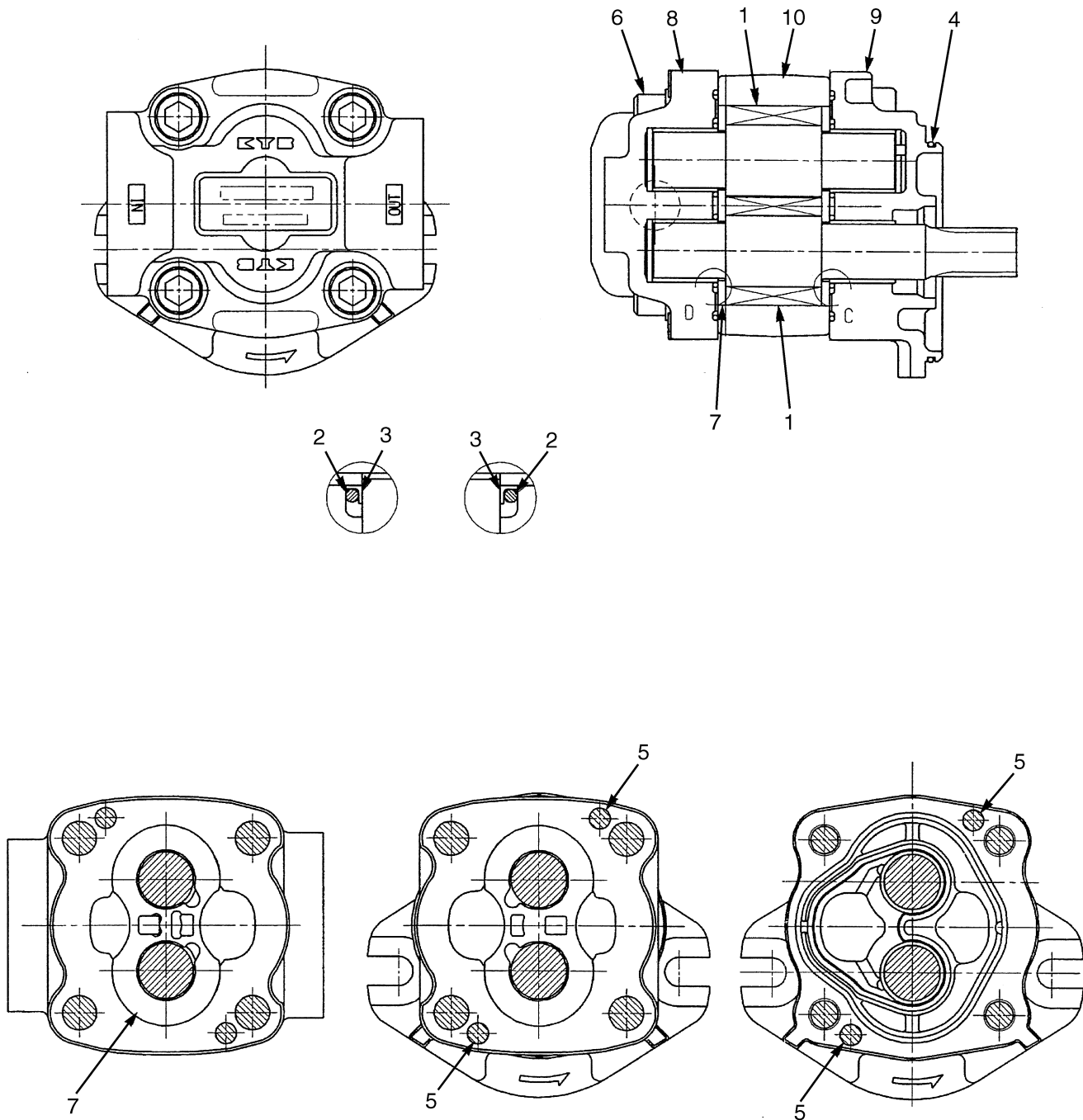


BP150349

**HYDRAULIC PUMP AND MOTOR ASSEMBLY  
72/80 VOLT**

ITEM	PART NO.	DESCRIPTION	QTY
1	2106669	Electric Motor (Enhanced Performance) (☞ Figure 6-10).....	1
1	2106670	Electric Motor (Standard Performance) (☞ Figure 6-10).....	1
2	1527880	Capscrew .....	2
3	<del>1382472</del>		
	1502543	Nut (Flange) .....	2
4	1527889	Capscrew .....	3
5	221739	Washer .....	3
5	1384366	Washer (Snubbing) (Alternate Part) .....	3
6	4001845	Bracket Wldmt .....	1
7	284373	Motor Mount .....	3
8	4001844	Bracket Wldmt .....	1
9	1527881	Capscrew .....	3
10	1568199	Adapter (Suction) .....	1
10	16487	O-Ring .....	1
11	1486754	Fitting .....	1
11	280154	O-Ring .....	1
11	16485	O-Ring .....	1
12	2106668	Hydraulic Pump (☞ Figure 6-9).....	1
12	4602830	Hydraulic Pump .....	1
13	1510117	Capscrew .....	2
	<del>4001203</del>		
	1703670	Kit-Motor Band .....	1

## HYDRAULIC PUMP (FIGURE 6-9) 19 CC



BP150299



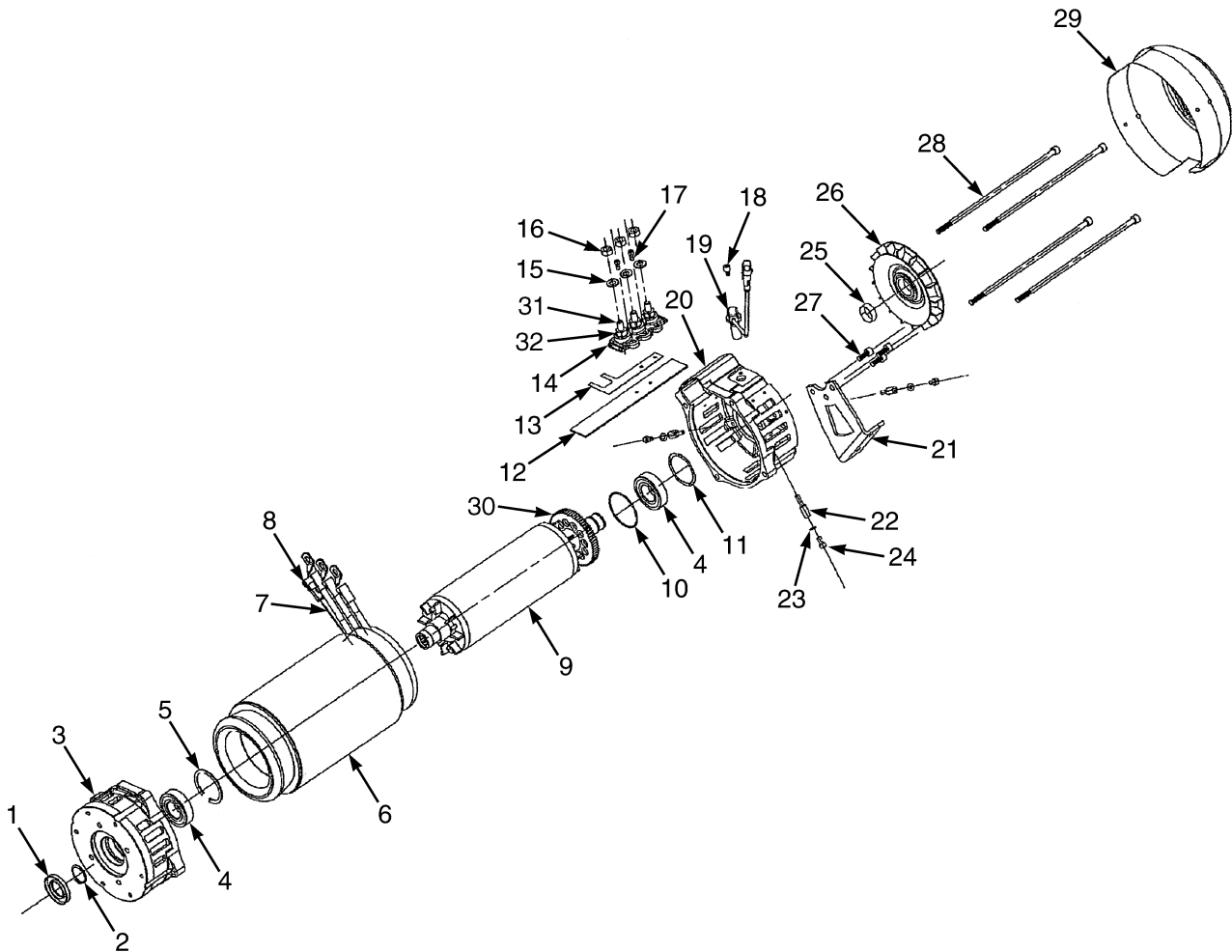
**HYDRAULIC PUMP  
19 CC**

ITEM	PART NO.	DESCRIPTION	QTY
	2106668	Hydraulic Pump .....	1
1	1701713	Gear Set .....	1
1	.....	Gear - Driven .....	1
1	.....	Drive Gear .....	1
2	.....	Seal (Plate) .....	2
3	.....	Back-Up .....	2
4	.....	Seal .....	1
5	1578672	Dowel .....	4
6	1622216	Screw .....	4
7	1622215	Side Plate .....	2
8	1675590	Cover Plate .....	1
9	1701714	Flange .....	1
10	.....	Plate (Gear) .....	1
	<b>a</b> 1675593	Kit-Seal .....	1

**FOOTNOTES:**

- a** Input Shaft Sealing Ring not included. See Motor for correct Part.

## PUMP MOTOR (FIGURE 6-10) 72/80 VOLT



BP150462

**PUMP MOTOR**  
**72/80 VOLT**

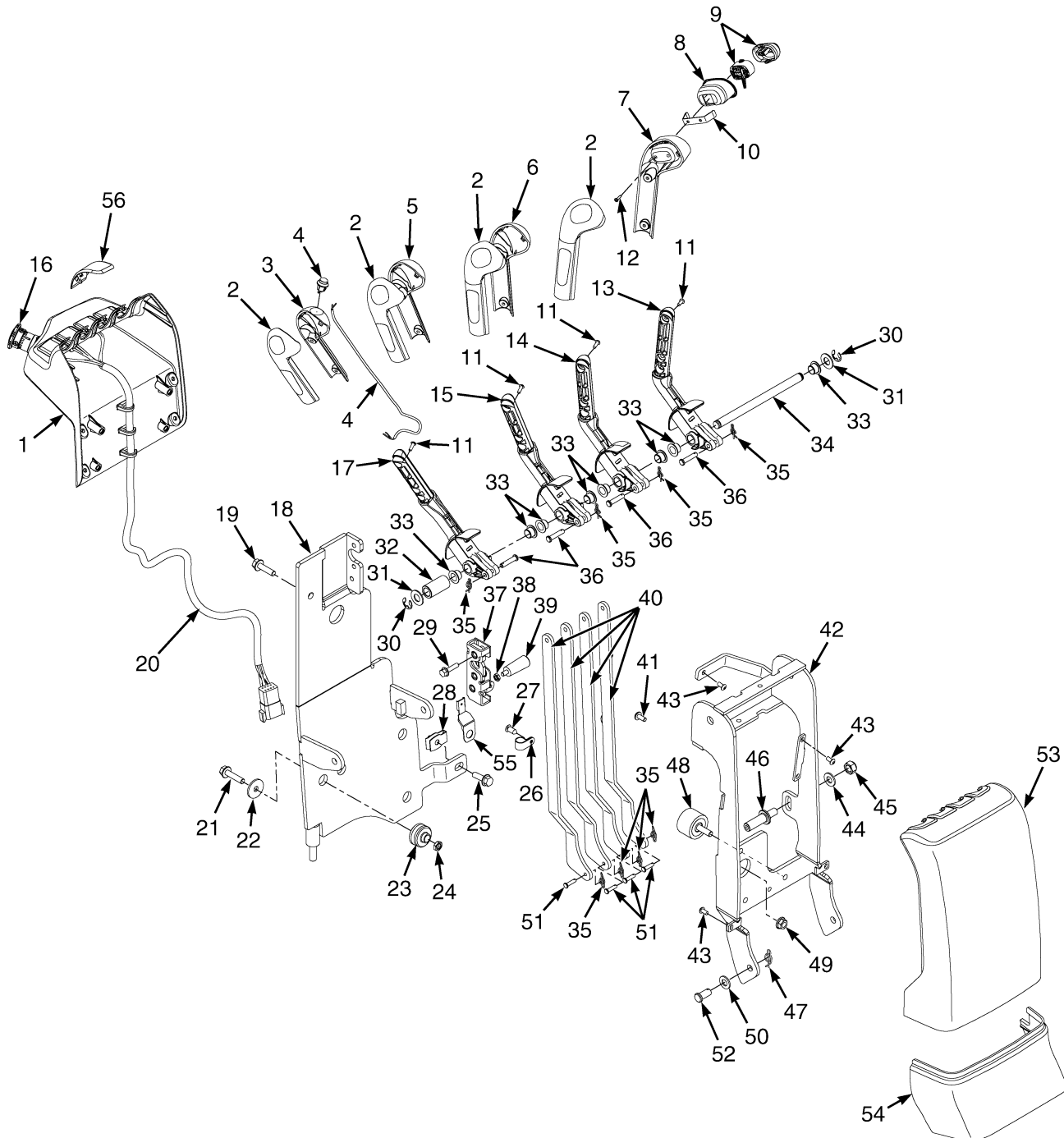
ITEM	PART NO.	DESCRIPTION	QTY
	2106669	Electric Motor (Enhanced Performance) .....	1
	2106670	Electric Motor (Standard Performance) .....	1
1	1591518	Ring (Input Shaft Seal) .....	1
2	58908	Snap Ring .....	2
3	<del>1696937</del>		
	4028637	Shield .....	1
4	1502092	Bearing .....	2
5	<del>1502093</del>		
	12921	Snap Ring .....	1
6	1697032	Housing (With Stator) (Enhanced Performance) .....	1
6	1696935	Housing (With Stator) (Standard Performance) .....	1
7	1591525	Sensor .....	1
8	1591527	Connector .....	1
9	1696934	Armature .....	1
10	1507307	O-Ring .....	1
11	1307244	Spherical Washer .....	1
12	1694048	Terminal Post .....	1
13	1696936	Bracket (Enhanced Performance) .....	1
14	1585141	Terminal .....	1
15	<del>388049</del>		
	292682	Lockwasher .....	3
16	136692	Nut .....	3
17	4025784	Screw .....	2
18	4033793	Capscrew .....	1
19	4033792	Sensor (Speed) .....	1
19	2787341	Connector (4 Way) .....	1
19	2787350	Pin Terminal .....	4
19	2060555	Wire Seal .....	4
20	1696938	Shield (Non Drive End) .....	1
21	1696943	Bracket (Mounting) .....	1
22	1696942	Spacer (Fan Cover) .....	3
23	4033794	Washer .....	3
24	293762	Capscrew .....	3
25	1696940	Bushing (Retaining) .....	1
26	1696939	Fan (Cooling) .....	1
26	4008787	Fan (Cooling) (Alternate Part) .....	1
26	1697033	Bushing (Fan) (Enhanced Performance) .....	1
27	296010	Capscrew (Standard Performance) .....	3
28	1694057	Screw .....	4
29	1696941	Cover (Fan) .....	1
30	1697031	Sensor (Enhanced Performance) .....	1
31	1591542	Screw .....	3
32	296419	Washer .....	3
	a 1591528	Terminal .....	6
	a 1591531	Plug .....	6
	a 1591532	Connector .....	1
	a 4028740	Sensor .....	1
	a 1697031	Sensor .....	1
	a 1462085	Ring .....	1

**FOOTNOTES:**

- a Not Illustrated



## MANUAL CONTROL LEVERS (FIGURE 6-11)



BP150488

**MANUAL CONTROL LEVERS****KEY:****A: Three Function****B: Four Function**

ITEM	PART NO.	DESCRIPTION	QTY	
			A	B
1	2111173	Cover (Upper Rear) .....	1	1
2	2104011	Handle .....	3	4
3	2104014	Handle .....	1	1
4	2100705	Wire Harness (Manual Interlock) .....	1	1
4	1671887	Push Button Switch (Included with Manual Interlock Wire Harness) .....	1	1
5	2104012	Handle (Finger Side Blank Half) .....	1	2
6	2104012	Handle .....	1	1
7	2109136	Handle (Fwd/Rev Switch Half) .....	1	1
8	2109137	Cup .....	1	1
9	2101896	Switch .....	1	1
10	1696034	Retainer .....	1	1
11	1694830	Capscrew .....	11	14
12	227132	Screw .....	2	2
13	1699347	Lever (Manual Lift) .....	..	1
14	1699348	Lever (Manual Tilt) .....	1	1
15	1699349	Lever (Aux 1) .....	1	1
16	2107320	Push Button Switch (Emergency Disconnect) .....	1	1
17	1699350	Lever (Aux 2) .....	1	1
18	1695937	Bracket Wldmt (Valve Mounting) (Low Hood) .....	1	1
18	4018085	Bracket Wldmt (Valve Mounting) (Low Hood) .....	1	1
18	4001848	Bracket Wldmt (Valve Mounting) (High Hood) .....	1	1
18	4018088	Bracket Wldmt (Valve Mounting) (High Hood)(Alternate Part) .....	1	1
19	1527881	Capscrew .....	1	1
20	2107661	Wire Harness (Emergency Disconnect) .....	1	1
21	1528482	Capscrew .....	3	3
22	1346752	Washer .....	3	3
23	2063991	Isolator .....	3	3
24	1593335	Nut .....	4	4
25	1510113	Capscrew .....	1	1
26	.....	Clip .....	1	1
27	1582464	Fastener .....	1	1
28	1393879	Nut .....	1	1
29	1527878	Capscrew .....	3	3
30	1530971	E-Ring .....	2	2
31	1682764	Washer .....	AR	AR
32	1657021	Spacer .....	1	..
33	1657016	Bushing .....	6	8
34	1657013	Pin .....	1	1
35	1517361	Locking Ring Cotter Pin .....	6	8
36	1657014	Pin .....	3	4
37	1674167	Latch .....	1	1
38	1593334	Nut .....	1	1
39	1694731	Handle .....	1	1
40	1688737	Link (Low Hood) .....	3	4
40	1688738	Link (High Hood) .....	3	4
41	2062718	Capscrew .....	4	4

## MANUAL CONTROL LEVERS

**KEY:**

**A:** Three Function

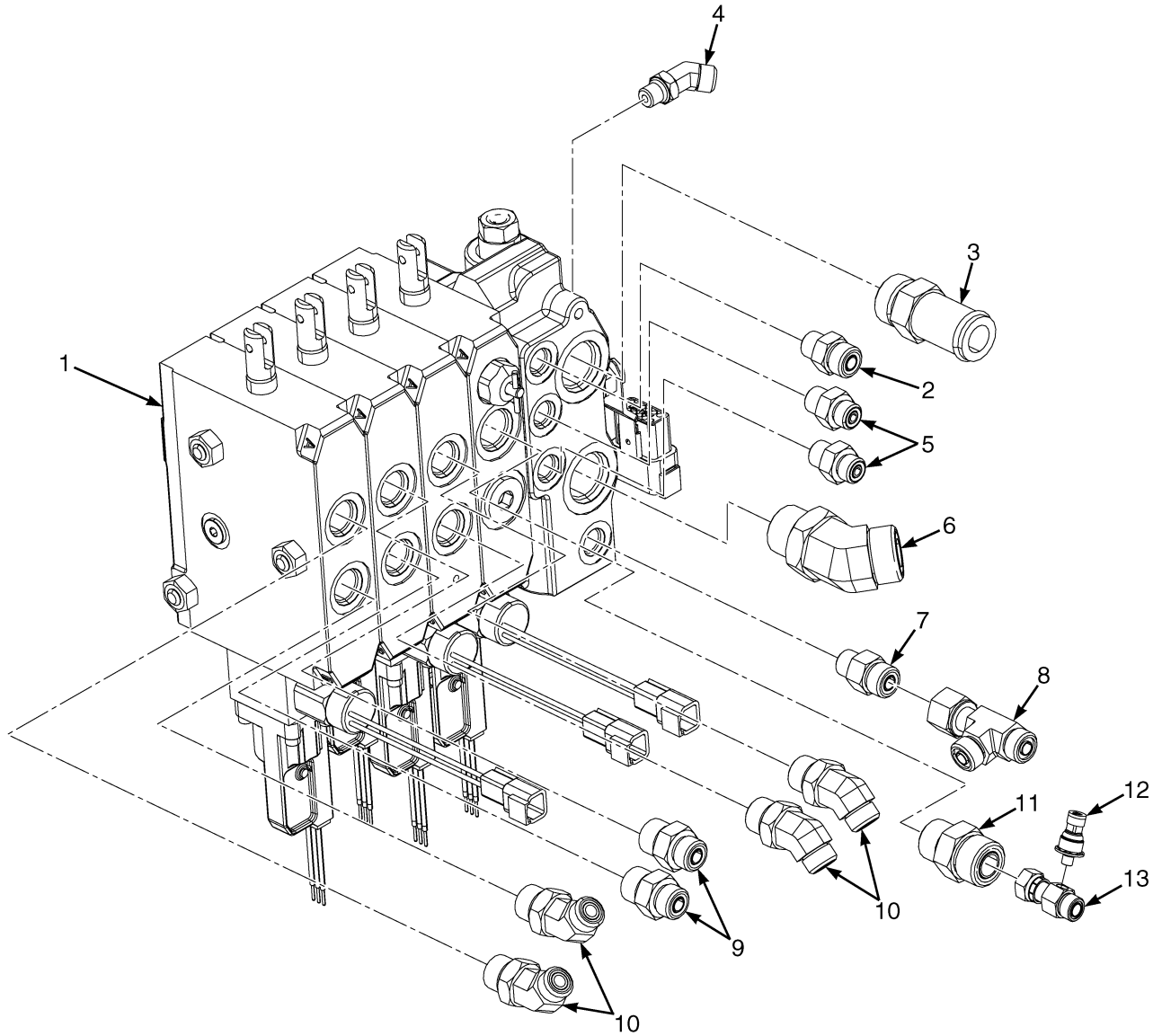
**B:** Four Function

ITEM	PART NO.	DESCRIPTION	QTY	
			A	B
42	1674173			
	4017863	Bracket Wldmt (Upper) .....	1	1
42	1674173			
	4017863	Bracket Wldmt (Low Hood) .....	1	1
42	1688750			
	4017864	Bracket Wldmt (High Hood) .....	1	1
43	296151	Capscrew .....	7	7
44	320159	Washer .....	1	1
45	302401	Locknut .....	1	1
46	4011232	Striker .....	1	1
47	1351689	Locking Cotter Pin .....	2	2
48	2102184	Rubber Mount .....	2	2
49	1382472			
	1502543	Nut (Flange) .....	1	1
50	1702735	Washer .....	2	2
51	309109	Pin .....	3	4
52	1674165	Pin .....	2	2
53	4601702	Cover (Upper Front) .....	1	1
54	2108351	Cover (Low Hood) .....	1	1
54	2108352	Cover (High Hood) .....	1	1
55	1582442	Clip .....	1	1
56	4601859	Cover .....	1	..





## HYDRAULIC CONTROL VALVE AND ATTACHING PARTS (FIGURE 6-12) MANUAL — THREE AND FOUR FUNCTION



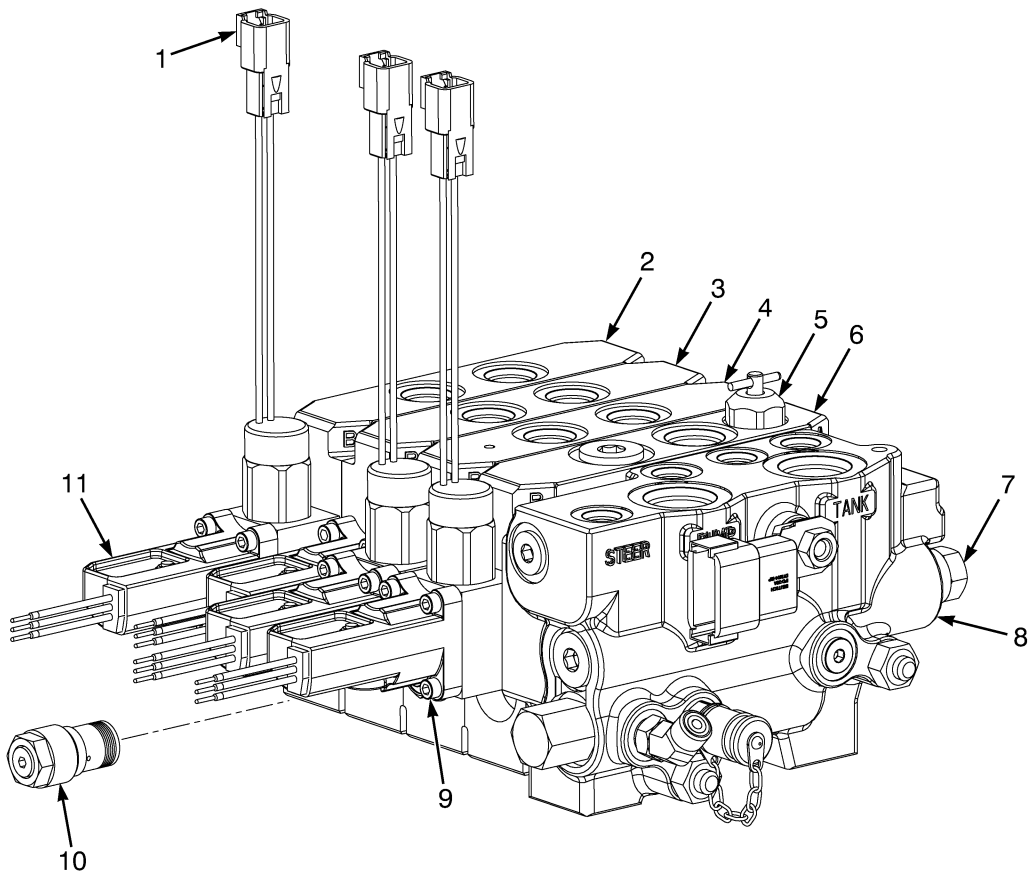
BP140183

**HYDRAULIC CONTROL VALVE AND ATTACHING PARTS  
MANUAL – THREE AND FOUR FUNCTION****KEY:****A: Three Function****B: Four Function**

ITEM	PART NO.	DESCRIPTION	QTY	
			A	B
1	<b>ad</b> 2094692	Hydraulic Control Valve Assembly (Without Clamping) (☞ Figure 6-13)....	1	..
1	<b>af</b> 4606509	Hydraulic Control Valve (Without Clamping) (☞ Figure 6-13).....	1	..
1	<b>ad</b> 2094694	Hydraulic Control Valve Assembly (Without Clamping) (☞ Figure 6-13)....	..	1
1	<b>af</b> 4606511	Hydraulic Control Valve (Without Clamping) (☞ Figure 6-13).....	..	1
1	<b>ad</b> 2098810	Hydraulic Control Valve Assembly (With Clamping) (☞ Figure 6-13).....	..	1
1	<b>af</b> 4606515	Hydraulic Control Valve (With Clamping) (☞ Figure 6-13).....	..	1
1	<b>bd</b> 2094693	Hydraulic Control Valve Assembly (Without Clamping) (☞ Figure 6-13)....	1	..
1	<b>bf</b> 4606510	Hydraulic Control Valve (Without Clamping) (☞ Figure 6-13).....	1	..
1	<b>bd</b> 2094695	Hydraulic Control Valve Assembly (Without Clamping) (☞ Figure 6-13)....	..	1
1	<b>bf</b> 4606512	Hydraulic Control Valve (Without Clamping) (☞ Figure 6-13).....	..	1
1	<b>bd</b> 2098811	Hydraulic Control Valve Assembly (With Clamping) (☞ Figure 6-13).....	..	1
1	<b>bf</b> 4606516	Hydraulic Control Valve (With Clamping) (☞ Figure 6-13).....	..	1
2	1486740	Fitting .....	1	1
2	265787	O-Ring .....	1	1
3	4040559	Fitting .....	1	1
4	1516197	Fitting .....	1	1
5	1486738	Fitting .....	2	2
6	1516208	Fitting .....	1	1
7	1704570	Check Valve .....	1	1
8	1487097	Fitting .....	1	1
9	1486742	Fitting .....	2	2
10	1516201	Fitting .....	2	4
11	1486749	Fitting .....	1	1
12	<b>c</b> 1606735	Sensor (Load Sensing) .....	1	1
12	<b>e</b> 1707681	Pressure Transducer .....	1	1
13	1687430	T-Fitting (Load Sensing) .....	1	1

**FOOTNOTES:****a** J2-2, J2-5, J3.0XN**b** J3.5XN**c** → 11/2008**d** → S/N A276B01534H**e** 11/2008 →**f** S/N A276B01535H →

## HYDRAULIC CONTROL VALVE ASSEMBLY (FIGURE 6-13) MANUAL — THREE AND FOUR FUNCTION



BP140145

**HYDRAULIC CONTROL VALVE ASSEMBLY  
MANUAL – THREE AND FOUR FUNCTION**

**KEY:**

**A: Three Function**

**B: Four Function**

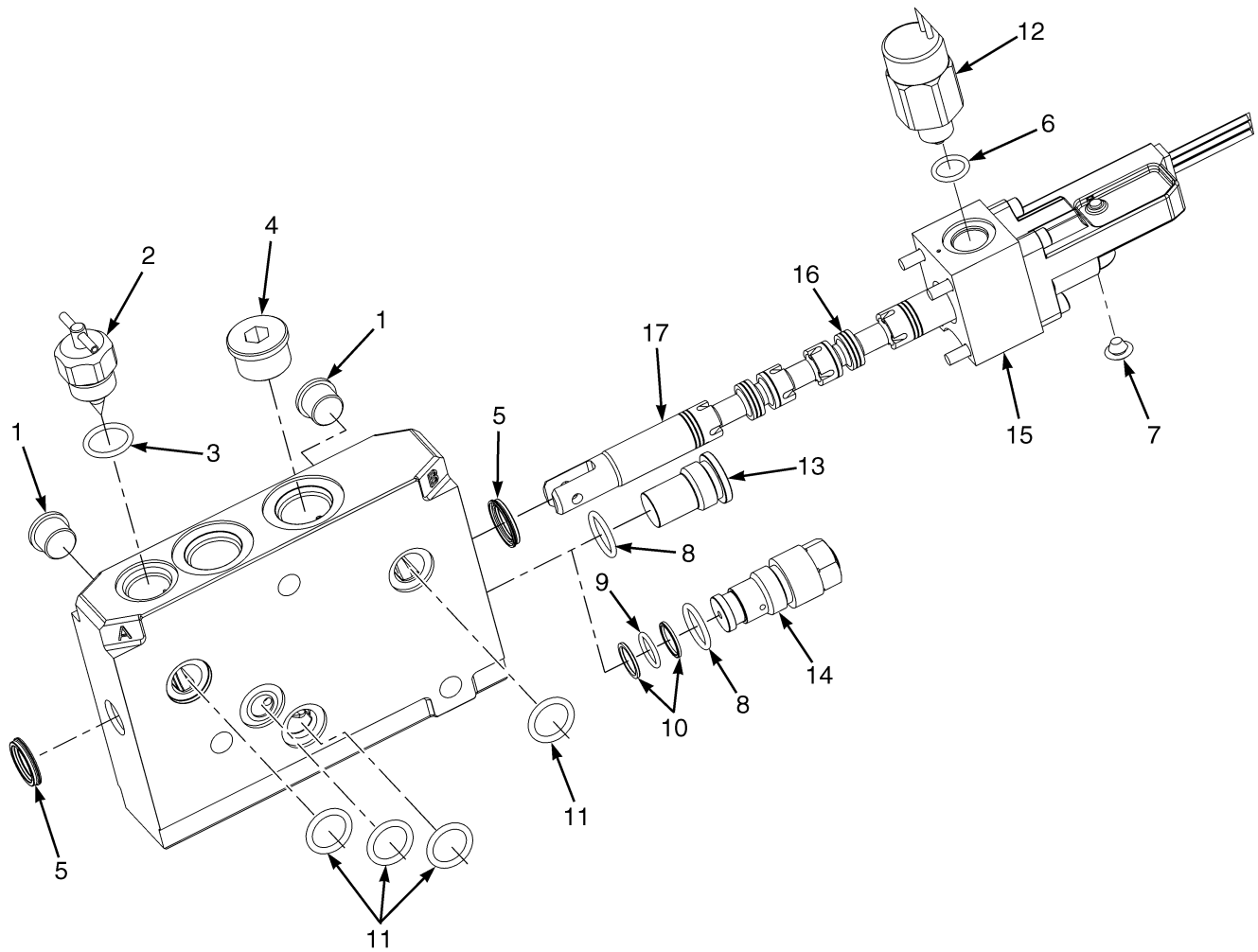
ITEM	PART NO.	DESCRIPTION	QTY	
			A	B
	<b>ac</b> 2094692	Hydraulic Control Valve Assembly (Without Clamping) .....	1	..
	<b>ad</b> 4606509	Hydraulic Control Valve (Without Clamping) .....	1	..
	<b>bc</b> 2094693	Hydraulic Control Valve Assembly (Without Clamping) .....	1	..
	<b>bd</b> 4606510	Hydraulic Control Valve (Without Clamping) .....	1	..
	<b>ac</b> 2094694	Hydraulic Control Valve Assembly (Without Clamping) .....	..	1
	<b>bd</b> 4606511	Hydraulic Control Valve (Without Clamping) .....	..	1
	<b>bc</b> 2094695	Hydraulic Control Valve Assembly (Without Clamping) .....	..	1
	<b>bd</b> 4606512	Hydraulic Control Valve (Without Clamping) .....	..	1
	<b>ac</b> 2098810	Hydraulic Control Valve Assembly (With Clamping) .....	..	1
	<b>ad</b> 4606515	Hydraulic Control Valve (With Clamping) .....	..	1
	<b>bc</b> 2098811	Hydraulic Control Valve Assembly (With Clamping) .....	..	1
	<b>bd</b> 4606516	Hydraulic Control Valve (With Clamping) .....	..	1
1	1701855	Spool (Solenoid) .....	1	1
2	1701661	Valve Section (End Aux) (Without Clamping) (☞Figure 6-14).....	1	1
3	1701666	Valve Section (Dual Aux Section) (☞Figure 6-14).....	..	1
4	<b>bc</b> 1701663	Valve Section (Tilt) (☞Figure 6-14).....	1	1
4	<b>bd</b> 4037962	Valve Section (Tilt) (☞Figure 6-14).....	1	1
4	<b>ac</b> 1701660	Valve Section (Tilt) (☞Figure 6-14).....	1	1
4	<b>ad</b> 4037961	Valve Section (Tilt) (Alternate Part) (☞Figure 6-14).....	1	1
5	1696312	Lowering Control Valve .....	1	1
5	1696296	O-Ring .....	1	1
6	1701659	Valve Section (Lift) (☞Figure 6-14).....	1	1
7	<b>b</b> 1696044	Relief Valve .....	1	1
7	<b>a</b> 1696035	Relief Valve .....	1	1
8	<b>a</b> 1701657	Valve Section (Inlet) (☞Figure 6-15).....	1	1
8	1701671	Valve Section (Inlet) (☞Figure 6-15).....	1	1
9	18096	Capscrew (With Spool Lock) .....	4	4
9	18089	Capscrew (Without Spool Lock) .....	4	4
10	<del>1696304</del>			
	1703511	Relief Valve .....	1	1
10	<del>1696304</del>			
	1703511	Relief Valve (Alternate Part) .....	1	1
11	1701654	Kit-Sensor .....	1	1
11	1703512	Spring .....	1	1
	1701654	Kit-Sensor .....	1	1

**FOOTNOTES:**

**a** J2.2, J2.5, J3.0XN  
**b** J3.5XN

**c** → S/N A276B01534H  
**d** S/N A276B01535H →

## VALVE ASSEMBLY (FIGURE 6-14) LIFT, TILT, AND AUXILIARY — MANUAL HYDRAULIC



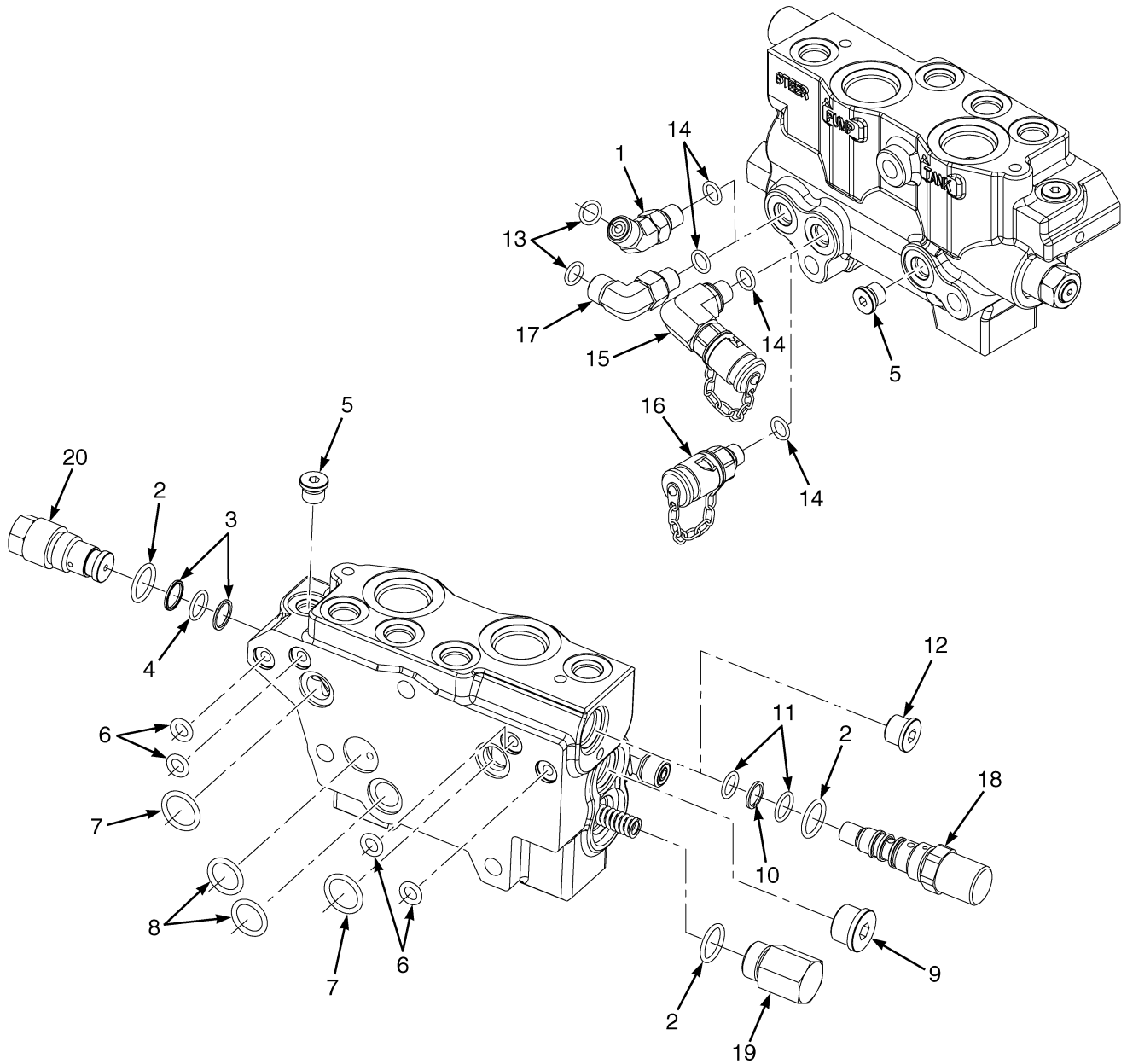
BP140163

**VALVE ASSEMBLY**  
**LIFT, TILT, AND AUXILIARY – MANUAL HYDRAULIC**

ITEM	PART NO.	DESCRIPTION	QTY
	1701661	Valve Section (End Aux) .....	1
	1701666	Valve Section (Dual Aux Section) .....	1
	<b>ac</b> 1701660	Valve Section (Tilt) (J2.2-3.0XN) .....	1
	<b>d</b> 4037961	Valve Section (Tilt) (J2.2-3.0XN) .....	1
	<b>bc</b> 1701663	Valve Section (Tilt) (J3.5XN) .....	1
	<b>d</b> 4037962	Valve Section (Tilt) (J3.5XN) .....	1
	1701659	Valve Section (Lift) .....	1
1	222443	Fitting .....	2
1	16483	O-Ring .....	1
2	1696312	Lowering Control Valve .....	5
3	1696296	O-Ring .....	1
4	233693	Fitting .....	1
4	16485	O-Ring .....	1
5	1701825	Seal .....	2
6	1701829	O-Ring .....	1
7	288474	Plug .....	1
8	1696296	O-Ring .....	2
9	1696299	O-Ring .....	1
10	1696300	Back-Up Ring .....	2
11	1696297	O-Ring .....	4
12	1701855	Spool (Solenoid) .....	1
13	.....	Plug (Lift Section Only) .....	1
14	.....	Valve (Tilt Section Only) .....	1
15	1701654	Kit-Sensor .....	1
15	.....	Sensor .....	1
15	18096	Capscrew .....	4
15	18089	Capscrew .....	4
15	1703512	Spring .....	1
15	4011177	Retainer .....	1
16	.....	Spool .....	1
17	.....	Clevis .....	1
	1696316	Kit-Seal .....	1

**FOOTNOTES:****a** J2.2XN, J2.5XN, J3.0XN**b** J3.5XN**c** → S/N A276B01534H**d** S/N A276B01535H →

## VALVE ASSEMBLY (FIGURE 6-15) INLET SECTION — MANUAL AND ELECTRONIC



BP140162



**VALVE ASSEMBLY**  
**INLET SECTION – MANUAL AND ELECTRONIC**

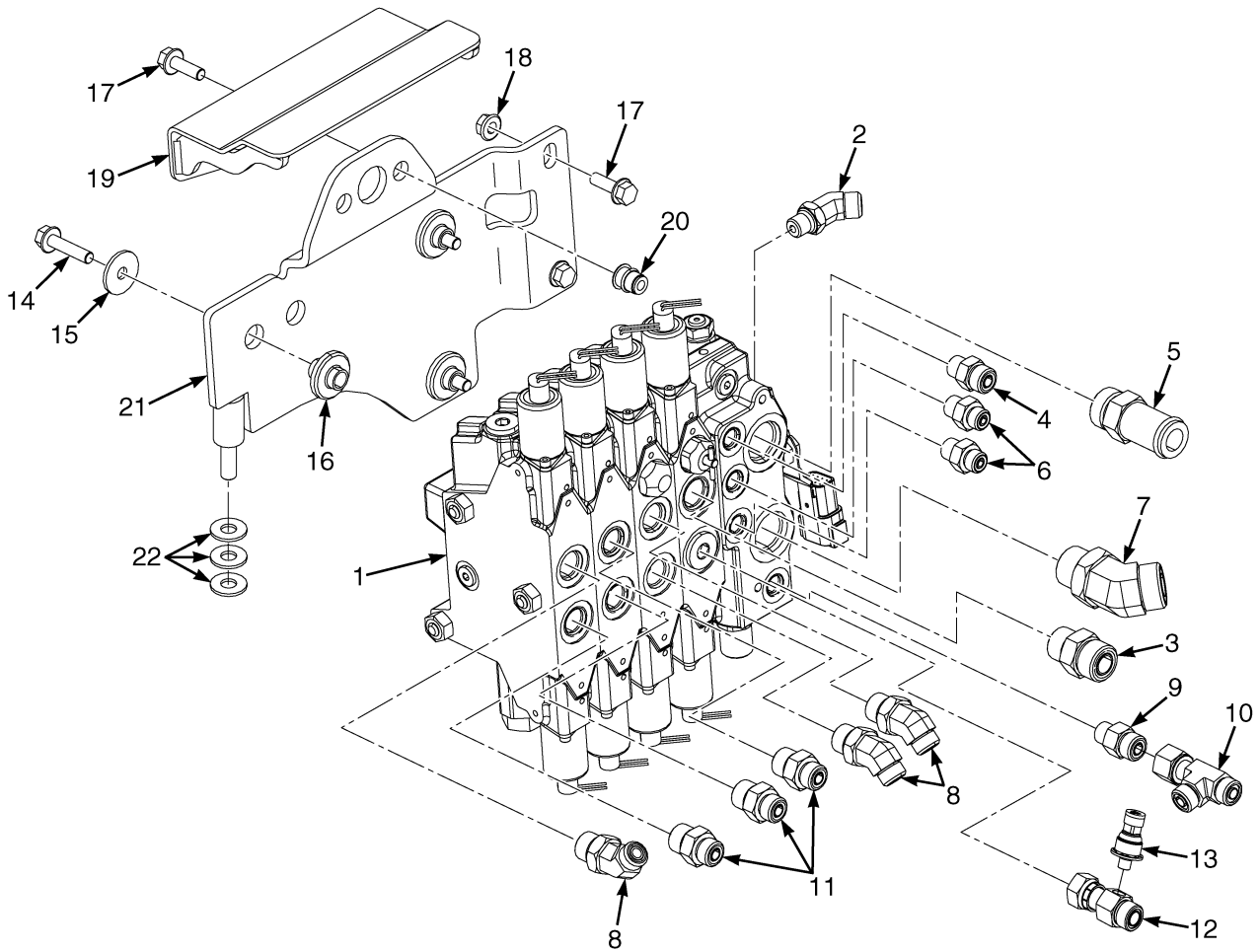
ITEM	PART NO.	DESCRIPTION	QTY
	<b>a</b> 1696036	Valve Section (Inlet) (J45XN-E60XN) .....	1
	<b>a</b> 1696045	Valve Section (Inlet) (J70XN) .....	1
	<b>b</b> 1701657	Valve Section (Inlet) (J45XN-E60XN) .....	1
	<b>b</b> 1701671	Valve Section (Inlet) (J70XN) .....	1
1	.....	Fitting (45 Degree Optional) .....	4
2	1696296	O-Ring .....	3
3	1696300	Back-Up Ring .....	2
4	1696299	O-Ring .....	1
5	222442	Fitting .....	2
5	204128	Plug .....	1
5	16481	O-Ring .....	1
6	1696298	O-Ring .....	4
7	1696306	O-Ring .....	2
8	1696297	O-Ring .....	2
9	235691	Fitting .....	1
9	16484	O-Ring .....	1
10	1696309	Back-Up Ring .....	1
11	1696308	O-Ring .....	2
12	222443	Fitting .....	1
12	16483	O-Ring .....	1
13	1696311	O-Ring .....	1
14	1696310	O-Ring .....	3
15	1545546	Fitting (90 Degree Optional) .....	1
16	2061646	Fitting (Diagnostic) .....	2
17	.....	Fitting (90 Degree Optional) .....	1
18	.....	Fitting .....	1
19	.....	Fitting .....	1
20	.....	Fitting .....	1
	1696414	Kit-Seal .....	1

**FOOTNOTES:**

**a** J45-60 to J2.2, 2.5XN

**b** J70XN to J3.0-3.5XN

## HYDRAULIC CONTROL VALVE AND ATTACHING PARTS (FIGURE 6-16) ELECTRONIC — THREE AND FOUR FUNCTION



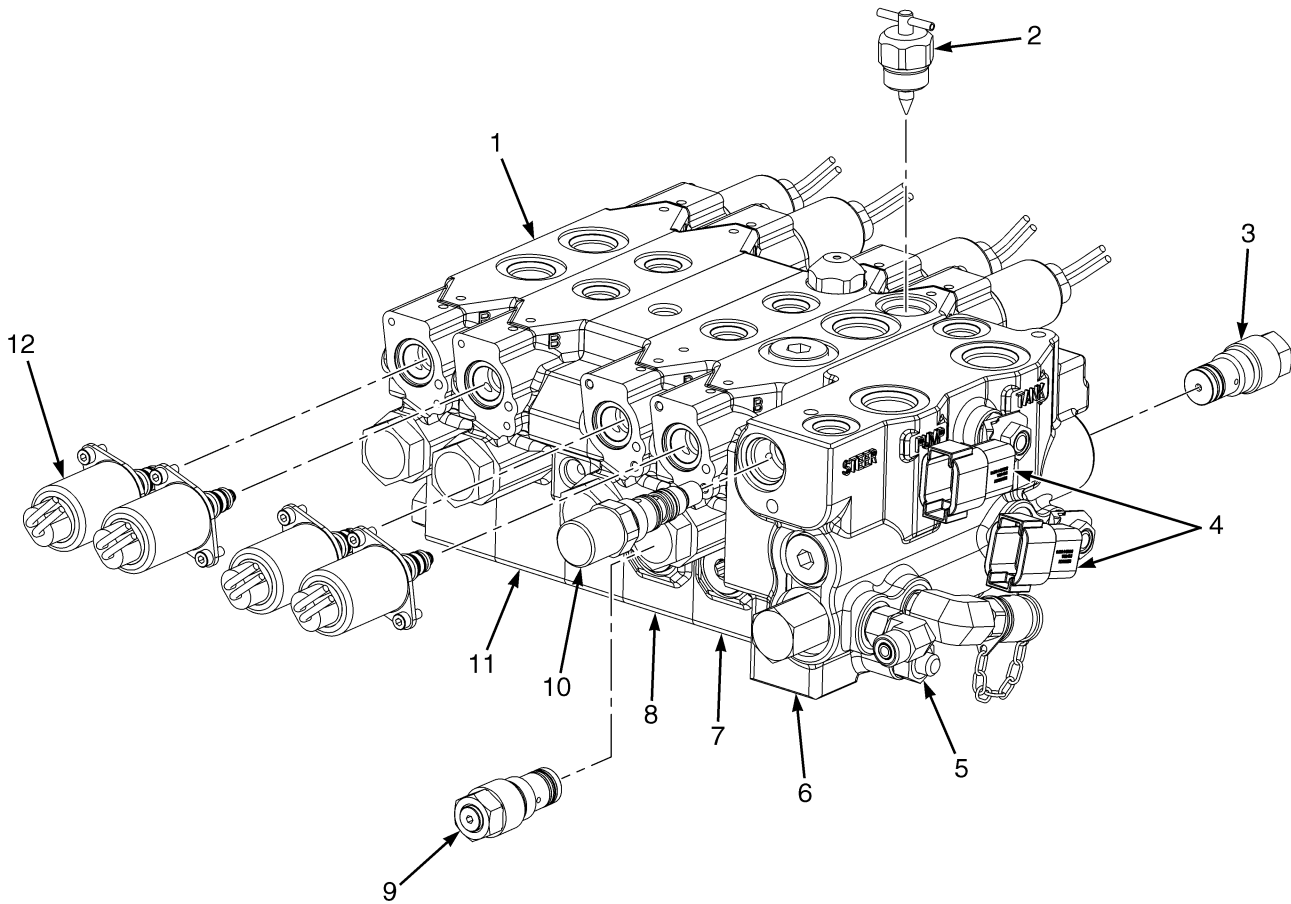
BP140184

**HYDRAULIC CONTROL VALVE AND ATTACHING PARTS  
ELECTRONIC – THREE AND FOUR FUNCTION****KEY:****A: Three Function****B: Four Function**

ITEM	PART NO.	DESCRIPTION	QTY	
			A	B
1	<b>b</b> 2103159	Hydraulic Control Valve (☞Figure 6-17).....	1	..
1	<b>a</b> 2103160	Hydraulic Control Valve (☞Figure 6-17).....	1	..
1	<b>b</b> 2103164	Hydraulic Control Valve (☞Figure 6-17).....	..	1
1	<b>a</b> 2103165	Hydraulic Control Valve (☞Figure 6-17).....	..	1
2	1516197	Fitting .....	1	1
3	1486749	Fitting .....	1	1
4	1486740	Fitting .....	1	1
5	4040559	Fitting .....	1	1
5	16486	O-Ring .....	1	1
6	1486738	Fitting .....	2	2
7	1516208	Fitting .....	1	1
8	1516201	Fitting .....	2	3
9	1704570	Check Valve .....	1	1
10	1487097	Fitting .....	1	1
11	1486742	Fitting .....	2	2
12	<b>d</b> 1687430	T-Fitting (Load Sensing) .....	1	1
13	<b>d</b> 1707681	Pressure Transducer .....	1	1
14	1586627	Capscrew .....	3	3
14	1528482	Capscrew (Alternate Part) .....	3	3
15	1346752	Washer .....	3	3
16	2063991	Isolator .....	3	3
17	<b>c</b> 1510113	Capscrew .....	1	1
17	<b>e</b> 1510113	Capscrew .....	4	4
18	<b>c</b> 1393879	Nut .....	1	1
18	<b>e</b> 1530243	Insert .....	2	2
19	<b>e</b> 4010905	Cover .....	1	1
20	<b>e</b> 1382472			
	1502543	Nut (Flange) .....	2	2
21	4011038	Bracket Wldmt .....	1	1
22	<b>e</b> 320160	Washer .....	3	3

**FOOTNOTES:****a** With Clamping**b** Without Clamping**c** → PENDING PER ECN 10615033**d** 11/2008 →**e** PENDING PER ECN 10615033 →

## HYDRAULIC CONTROL VALVE ASSEMBLY (FIGURE 6-17) ELECTRONIC — THREE AND FOUR FUNCTION



BP140160

**HYDRAULIC CONTROL VALVE ASSEMBLY  
ELECTRONIC – THREE AND FOUR FUNCTION**

**KEY:**

**A: Three Function**

**B: Four Function**

ITEM	PART NO.	DESCRIPTION	QTY	
			A	B
	<b>a</b> 2103159	Hydraulic Control Valve .....	1	..
	<b>b</b> 2103160	Hydraulic Control Valve .....	1	..
	<b>a</b> 2103164	Hydraulic Control Valve .....	..	1
	<b>b</b> 2103165	Hydraulic Control Valve .....	..	1
1	1696042	Valve Section (Auxiliary) (☞Figure 6-14).....	1	1
2	1696312	Lowering Control Valve .....	1	1
3	1696035	Relief Valve .....	1	..
3	1696044	Relief Valve .....	..	1
4	1701367	Kit-Service .....	1	1
5	1696043	Tie Rod .....	1	..
5	1695985	Tie Rod .....	..	1
5	<b>c</b> 1696418	Nut .....	2	2
5	<b>c</b> 1696419	Nut .....	6	6
5	<b>c</b> 1696453	Tie Rod .....	3	3
6	<b>a</b> 1696036	Valve Section (Inlet) (☞Figure 6-15).....	1	1
6	<b>b</b> 1696045	Valve Section (Inlet) (☞Figure 6-15).....	1	1
7	1696040	Valve Section (Lift) (☞Figure 6-18).....	1	1
8	<b>a</b> 1696041	Valve Section (Tilt Section) (☞Figure 6-18).....	1	1
8	<b>b</b> 1696046	Valve Section (Tilt Section) (☞Figure 6-18).....	1	1
9	<del>1696304</del> 1703511	Relief Valve .....	1	1
10	1696318	Pilot Valve .....	1	1
11	1696226	Valve Section (Dual Aux Section) (☞Figure 6-18).....	..	1
12	1696315	Solenoid Valve .....	6	8
	1696319	Kit-Seal .....	1	1

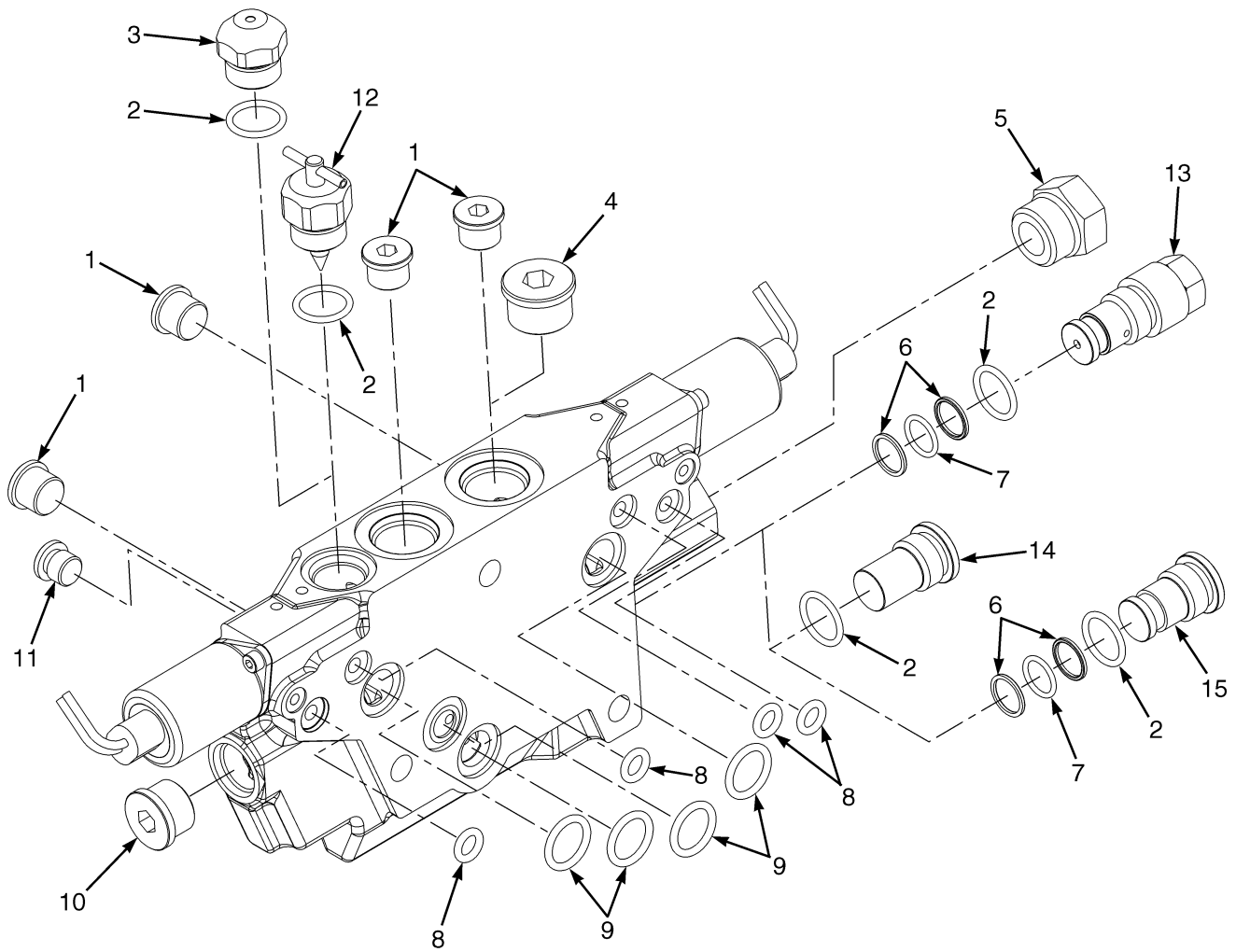
**FOOTNOTES:**

**a** J2.2-2.5XN

**b** J3.0-3.5XN

**c** Not Illustrated

## VALVE ASSEMBLY (FIGURE 6-18) LIFT, TILT, AND AUXILIARY — ELECTRIC HYDRAULIC



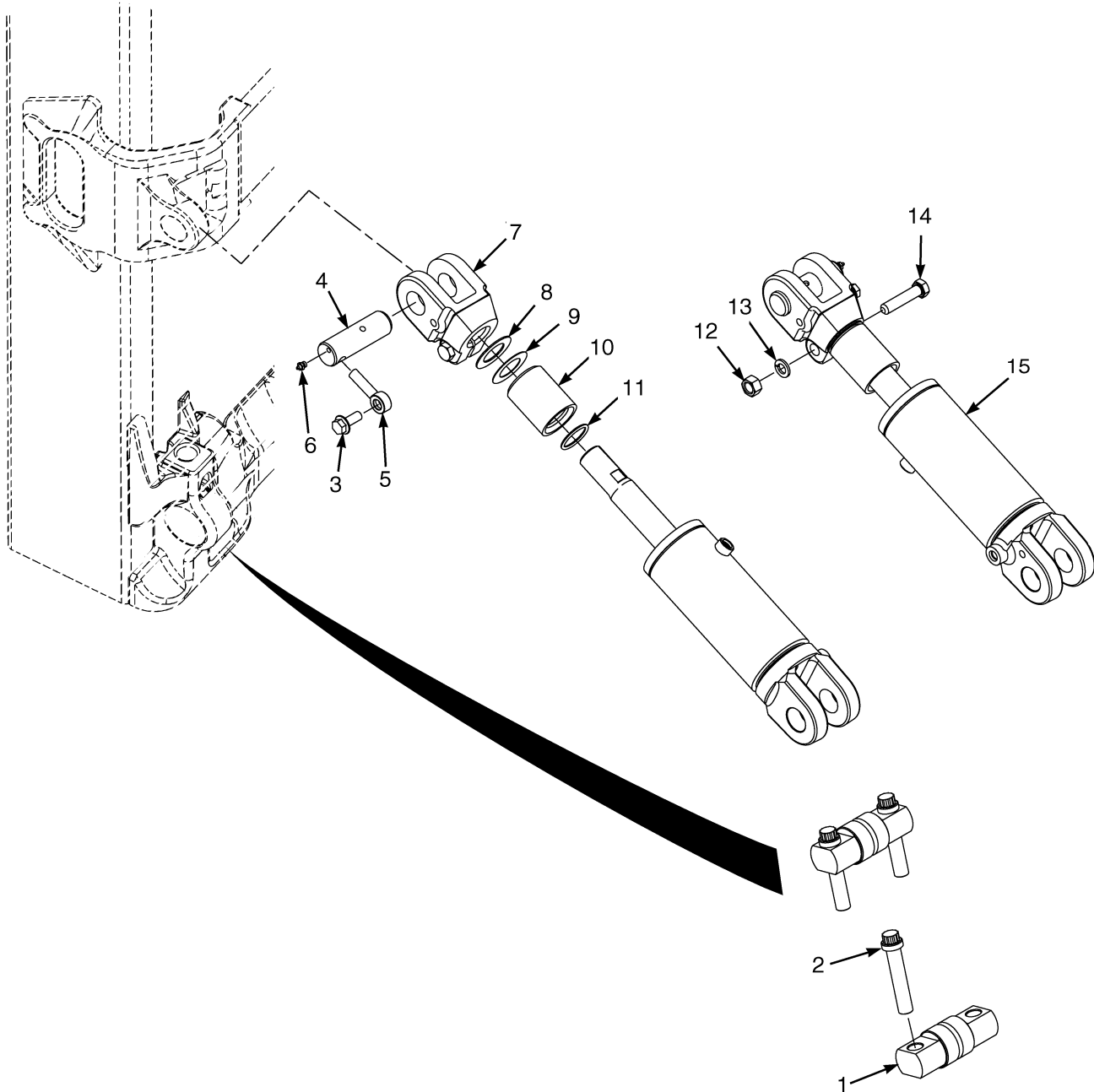
BP140161

**VALVE ASSEMBLY**  
**LIFT, TILT, AND AUXILIARY – ELECTRIC HYDRAULIC**

ITEM	PART NO.	DESCRIPTION	QTY
	1696042	Valve Section (Auxiliary) .....	1
	1696040	Valve Section (Lift) .....	1
	<b>a</b> 1696041	Valve Section (Tilt Section) (J2.2-2.5XN) .....	1
	<b>b</b> 1696046	Valve Section (Tilt Section) (J3.0-3.5XN) .....	1
1	222443	Fitting .....	2
1	16483	O-Ring .....	1
2	1696296	O-Ring .....	2
3	.....	Fitting .....	4
4	233693	Fitting .....	1
4	16485	O-Ring .....	1
5	216590	Fitting .....	1
5	16485	O-Ring .....	1
6	1696300	Back-Up Ring .....	2
7	1696299	O-Ring .....	1
8	1696298	O-Ring .....	4
9	1696297	O-Ring .....	4
10	235691	Fitting .....	1
10	16484	O-Ring .....	1
11	222442	Fitting .....	1
11	204128	Plug .....	1
11	16481	O-Ring .....	1
12	1696312	Lowering Control Valve .....	1
13	.....	Spool (Tilt Section Only) .....	1
14	.....	Spool (Lift Section Only) .....	1
15	.....	Spool (Tilt Section Only) .....	1
	1696266	Kit-Seal (Order one for each valve section) .....	1

**FOOTNOTES:****a** J2.2-2.5XN**b** J3.0-3.5XN

## TILT CYLINDER AND MAST INSTALLATION (FIGURE 6-19)



BP170077



**TILT CYLINDER AND MAST INSTALLATION**

**KEY:**

**A: J2.2-2.5XN**

**B: J3.0-3.5XN**

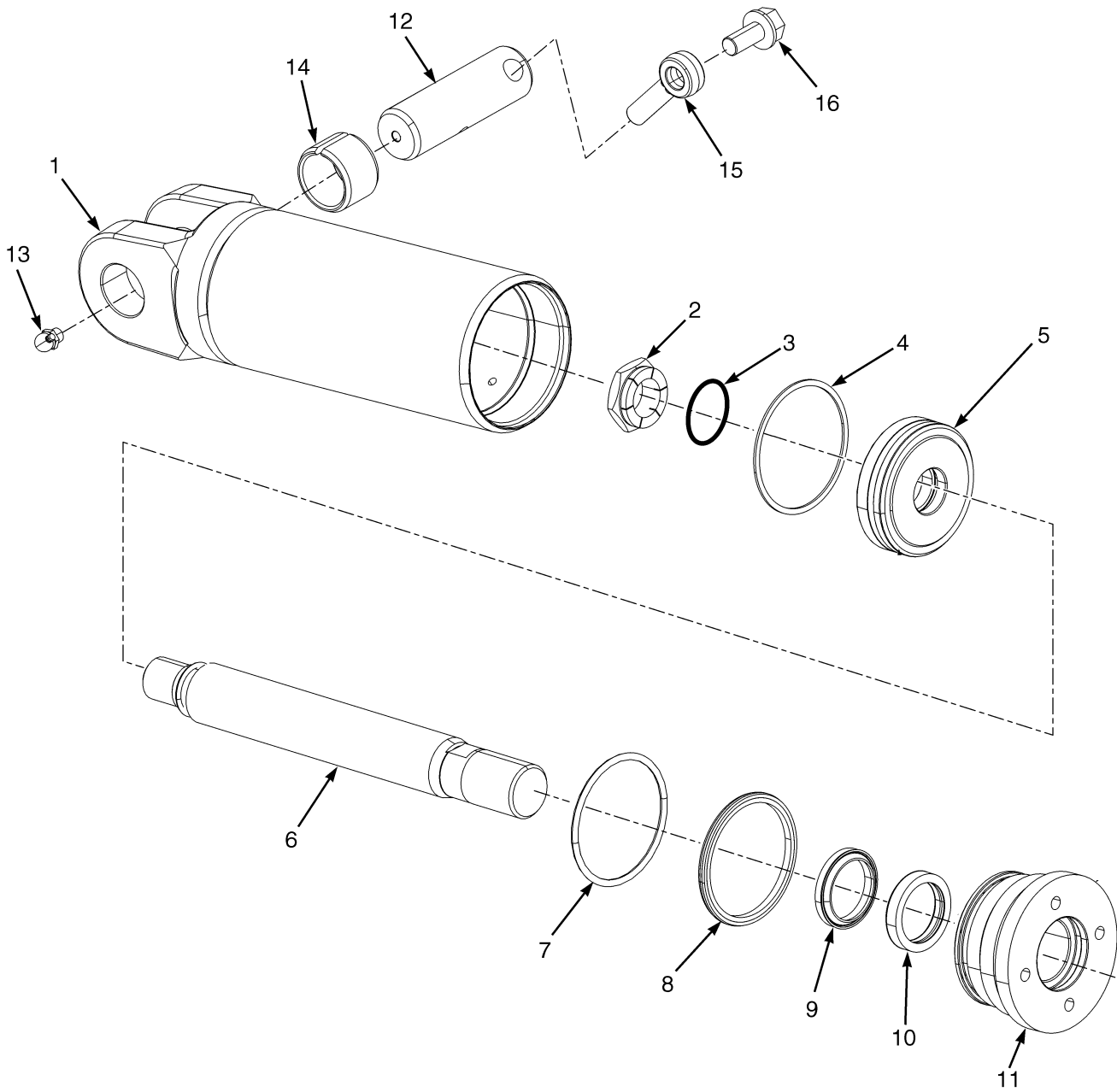
ITEM	PART NO.	DESCRIPTION	QTY	
			A	B
1	1514269	Pin (Mast Mounting) .....	2	2
2	1520290	Capscrew .....	4	4
3	1510117	Capscrew .....	2	2
4	1533493	Pin .....	4	4
5	1533494	Pin Anchor .....	2	2
6	16041	Grease Fitting .....	2	2
7	<b>ab</b> 1529929	Rod End .....	2	..
7	<b>ab</b> 1529931	Rod End .....	..	2
8	<b>a</b> 134675	Shim .....	AR	..
8	<b>a</b> 142247	Shim .....	..	AR
9	<b>a</b> 1325119	Shim .....	AR	..
9	<b>a</b> 1325120	Shim .....	..	AR
10	<b>a</b> 1527899	Spacer (Tilt) .....	2	..
10	<b>b</b> 332929	Spacer .....	2	..
10	<b>a</b> 378177	Spacer (Tilt) .....	..	2
10	<b>b</b> 349269	Spacer .....	..	2
11	<b>a</b> 55434	O-Ring .....	2	..
11	<b>a</b> 60563	O-Ring .....	..	2
13	1581852	Washer .....	2	2
15	.....	Tilt Cylinder (☞Figure 6-20, ☞Figure 6-21).....	2	2

**FOOTNOTES:**

**a** 5° Forward/5° Back,

**b** 5° Forward/6° Back

## TILT CYLINDERS (FIGURE 6-20) J2.2-2.5XN



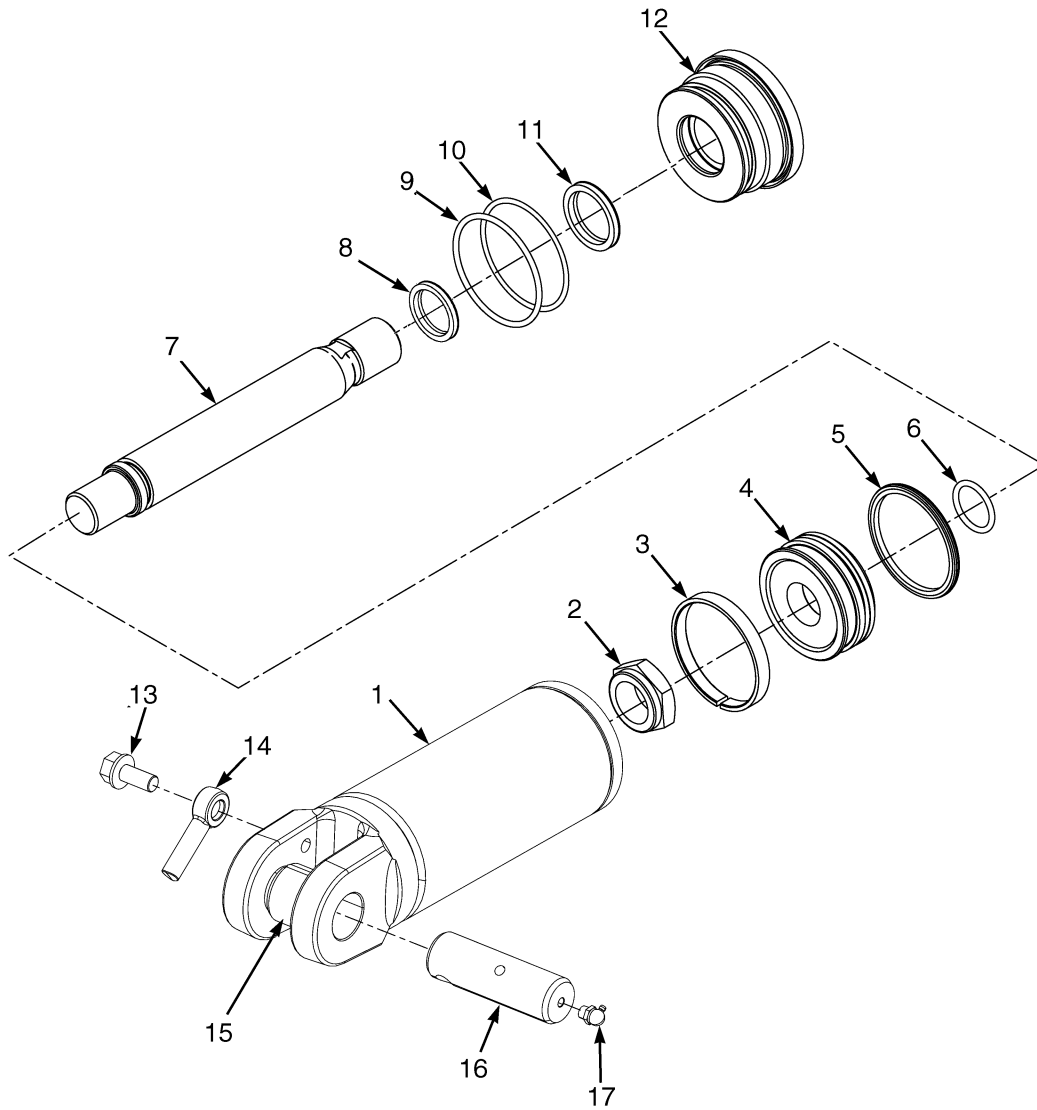
BP150230

**TILT CYLINDERS**  
**J2.2-2.5XN**

ITEM	PART NO.	DESCRIPTION	QTY
	<b>b</b> 2072659	Tilt Cylinder (RH) .....	1
	<b>a</b> 2071862	Tilt Cylinder (RH) .....	1
	<b>b</b> 2102712	Tilt Cylinder (LH) .....	1
	<b>a</b> 2102713	Tilt Cylinder (LH) .....	1
1	<b>b</b> 2072660	Tube Wldmt-Cylinder (RH) .....	1
1	<b>a</b> 2072661	Tube Wldmt-Cylinder (RH) .....	1
1	<b>b</b> 4600291	Tube Wldmt-Cylinder (LH) .....	1
1	<b>a</b> 4600290	Tube Wldmt-Cylinder (LH) .....	1
2	2302899	Locknut .....	1
3	39374	O-Ring .....	1
4	2044370	Piston Seal .....	1
5	1338741	Piston .....	1
6	<b>b</b> 2072662	Cylinder Rod .....	1
6	<b>a</b> 2072663	Cylinder Rod .....	1
7	46388	O-Ring .....	1
8	154375	Back-Up Ring .....	1
9	1381082	Rod Seal .....	1
10	1383062	Rod Wiper .....	1
11	1338744	Gland .....	1
12	1533493	Pin .....	2
13	16040	Grease Fitting .....	2
14	300982	Bushing .....	2
15	1533494	Pin Anchor .....	2
16	1586013	Capscrew .....	2
	1492644	Kit-Seal .....	2

**FOOTNOTES:****a** 10° Forward/5° Back**b** 5° Forward/5° Back

## TILT CYLINDERS (FIGURE 6-21) J3.0-3.5XN



BP150231

**TILT CYLINDERS**  
**J3.0-3.5XN**

ITEM	PART NO.	DESCRIPTION	QTY
	<b>b</b> 2068888	Tilt Cylinder (RH) .....	1
	<b>a</b> 2068889	Tilt Cylinder (RH) .....	1
	2102714	Tilt Cylinder (LH) .....	1
	2102715	Tilt Cylinder (LH) .....	1
1	<b>b</b> 2067345	Tube Wldmt-Cylinder (RH) .....	1
1	<b>a</b> 2067346	Tube Wldmt-Cylinder (RH) .....	1
1	4600288	Tube Wldmt-Cylinder (LH) .....	1
1	4600289	Tube Wldmt-Cylinder (LH) .....	1
2	222681	Nut .....	1
3	199852	Wear Ring .....	1
4	1381078	Piston .....	1
5	2044371	Piston Seal .....	1
6	237812	O-Ring .....	1
7	<b>b</b> 2072657	Cylinder Rod .....	1
7	<b>a</b> 2072658	Cylinder Rod .....	1
8	1381083	Rod Seal .....	1
9	268619	O-Ring .....	1
10	147973	Back-Up Ring .....	1
11	1383063	Rod Wiper .....	1
12	1527520	Gland .....	1
13	1586013	Capscrew .....	2
14	1533494	Pin Anchor .....	2
15	300982	Bushing .....	2
16	1673555	Pin .....	2
17	16046	Grease Fitting .....	2
	1527719	Kit-Seal .....	2

**FOOTNOTES:****a** 10° Forward/5° Back**b** 5° Forward/4° Back



**7**

**MAST-TWO STAGE LIMITED FREE-LIFT**





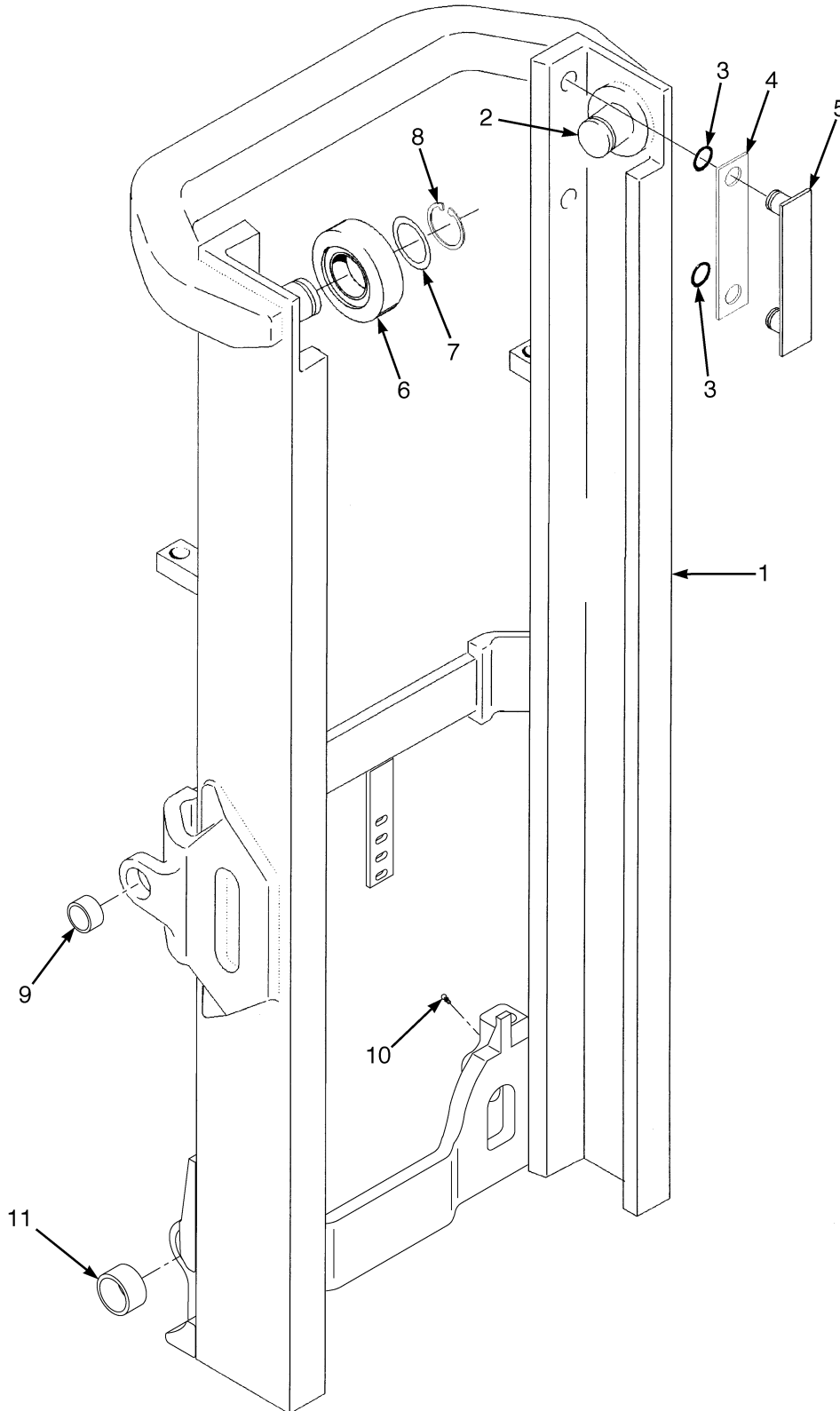
**SECTION 7**  
**MAST-TWO STAGE LIMITED FREE-LIFT**

---

<b>DESCRIPTION</b>	<b>PAGE</b>
CARRIAGE	
TWO STAGE LIMITED FREE-LIFT .....	7-14
HEADER HOSES	
TWO STAGE LIMITED FREE-LIFT .....	7-16
INNER MAST	
TWO STAGE LIMITED FREE-LIFT .....	7-4
MAIN LIFT	
TWO STAGE LIMITED FREE-LIFT .....	7-6
MAIN LIFT CYLINDER	
TWO STAGE LIMITED FREE-LIFT .....	7-10
OUTER MAST	
TWO STAGE LIMITED FREE-LIFT .....	7-2

---

## OUTER MAST (FIGURE 7-1) TWO STAGE LIMITED FREE-LIFT



HP171372

**OUTER MAST  
TWO STAGE LIMITED FREE-LIFT****J2.2XN-J2.5XN**

ITEM	DESCRIPTION 1 2 3 4	LIFT HEIGHT TO BOTTOM OF FORKS				
		3352 mm (132.0 in.)	3552 mm (139.8 in.)	3752 mm (147.7 in.)	4292 mm (169.0 in.)	4792 mm (188.7 in.)
		Mast Group Number	D507 3352	D507 3552	D507 3752	D507 4292
	Mast Assy	2054715	2054717	2054719	2054724	2054729
1	Outer Mast	1524756	1524758	1524760	1524766	1524771

**J3.0 XN-J3.5XN**

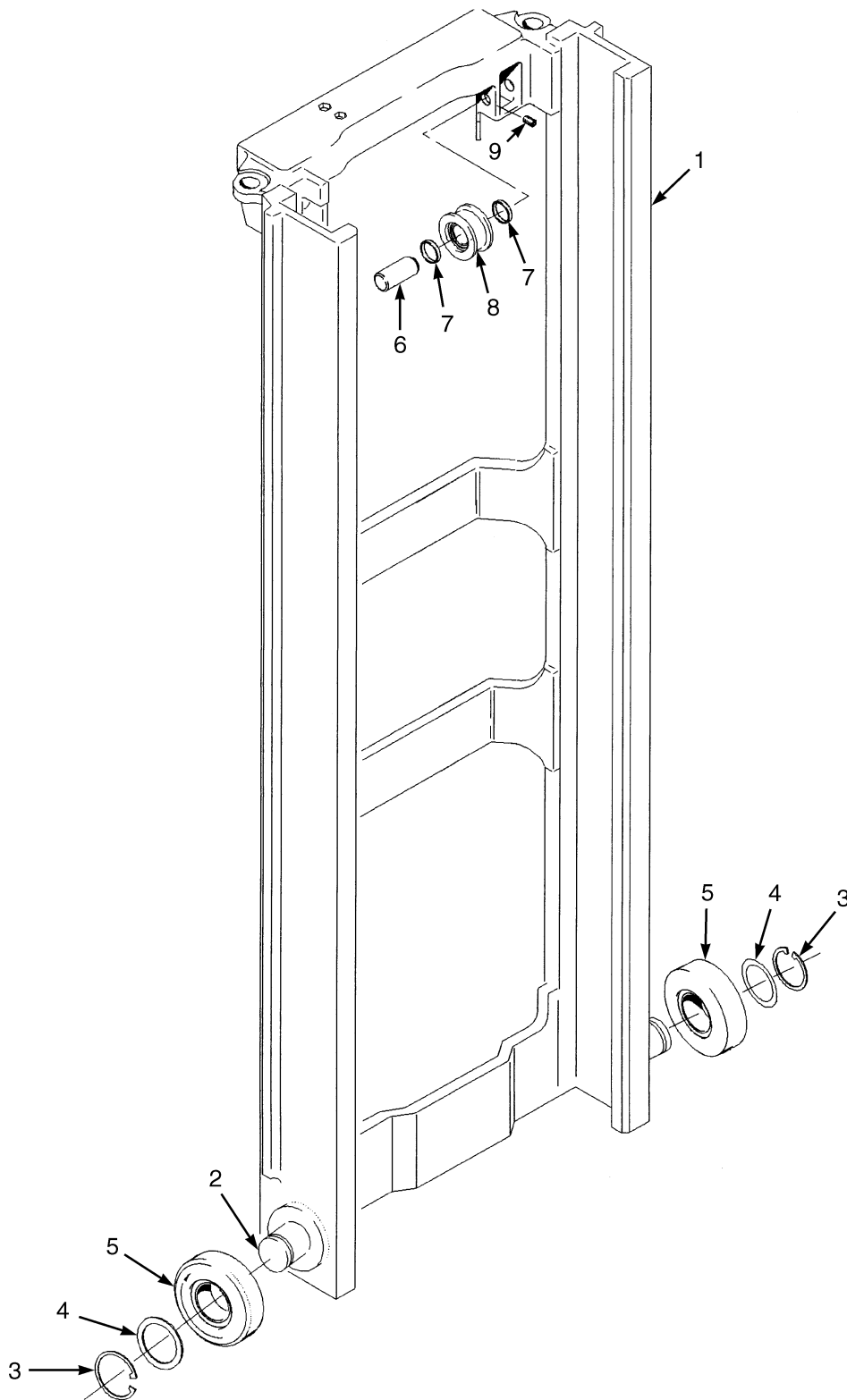
ITEM	DESCRIPTION 1 2 3 4	LIFT HEIGHT TO BOTTOM OF FORKS				
		3159 mm (124.4 in.)	3359 mm (132.2 in.)	3559 mm (140.1 in.)	4059 mm (159.8 in.)	4559 mm (179.5 in.)
		Mast Group Number	D562 3159	D562 3359	D562 3559	D562 4059
	Mast Assy	2054754	2054756	2054758	2054763	2054768
1	Outer Mast	1524756	1524758	1524760	1524766	1524771

**KEY:****A: J2.2-2.5XN****B: J3.0-3.5XN**

ITEM	PART NO.	DESCRIPTION	QTY	
			A	B
	<b>a</b> . . . . .	Mast Assy .....	1	1
1	<b>a</b> . . . . .	Outer Mast .....	1	1
2	1345216	Stubshaft .....	2	2
3	104506	O-Ring .....	4	4
4	131716	Shim (0.508 mm) .....	AR	AR
5	215211	Wear Strip .....	2	2
6	1333396	Load Roller ("B") (111.48/111.22) .....	2	2
7	129387	Shim (0.508 mm) .....	AR	AR
8	58901	Snap Ring .....	2	2
9	300982	Bushing .....	2	2
10	16001	Grease Fitting .....	2	2
11	1502811	Bushing .....	2	2

**FOOTNOTES:****a** Refer to Table

## INNER MAST (FIGURE 7-2) TWO STAGE LIMITED FREE-LIFT



HP290008

**INNER MAST  
TWO STAGE LIMITED FREE-LIFT  
J2.2XN-J2.5XN**

ITEM	DESCRIPTION 1 2 3 4	LIFT HEIGHT TO BOTTOM OF FORKS				
		3352 mm (132.0 in.)	3552 mm (139.8 in.)	3752 mm (147.7 in.)	4292 mm (169.0 in.)	4792 mm (188.7 in.)
		Mast Group Number	D507 3352	D507 3552	D507 3752	D507 4292
	Mast Assy	2054715	2054717	2054719	2054724	2054729
1	Inner Mast	1524799	1524801	1524803	1524808	1524813

**J3.0 XN-J3.5XN**

ITEM	DESCRIPTION 1 2 3 4	LIFT HEIGHT TO BOTTOM OF FORKS				
		3159 mm (124.4 in.)	3359 mm (132.2 in.)	3559 mm (140.1 in.)	4059 mm (159.8 in.)	4559 mm (179.5 in.)
		Mast Group Number	D562 3159	D562 3359	D562 3559	D562 4059
	Mast Assy	2054754	2054756	2054758	2054763	2054768
1	Inner Mast	1524799	1524801	1524803	1524808	1524813

**KEY:**

**A: J2.0-2.5XN**

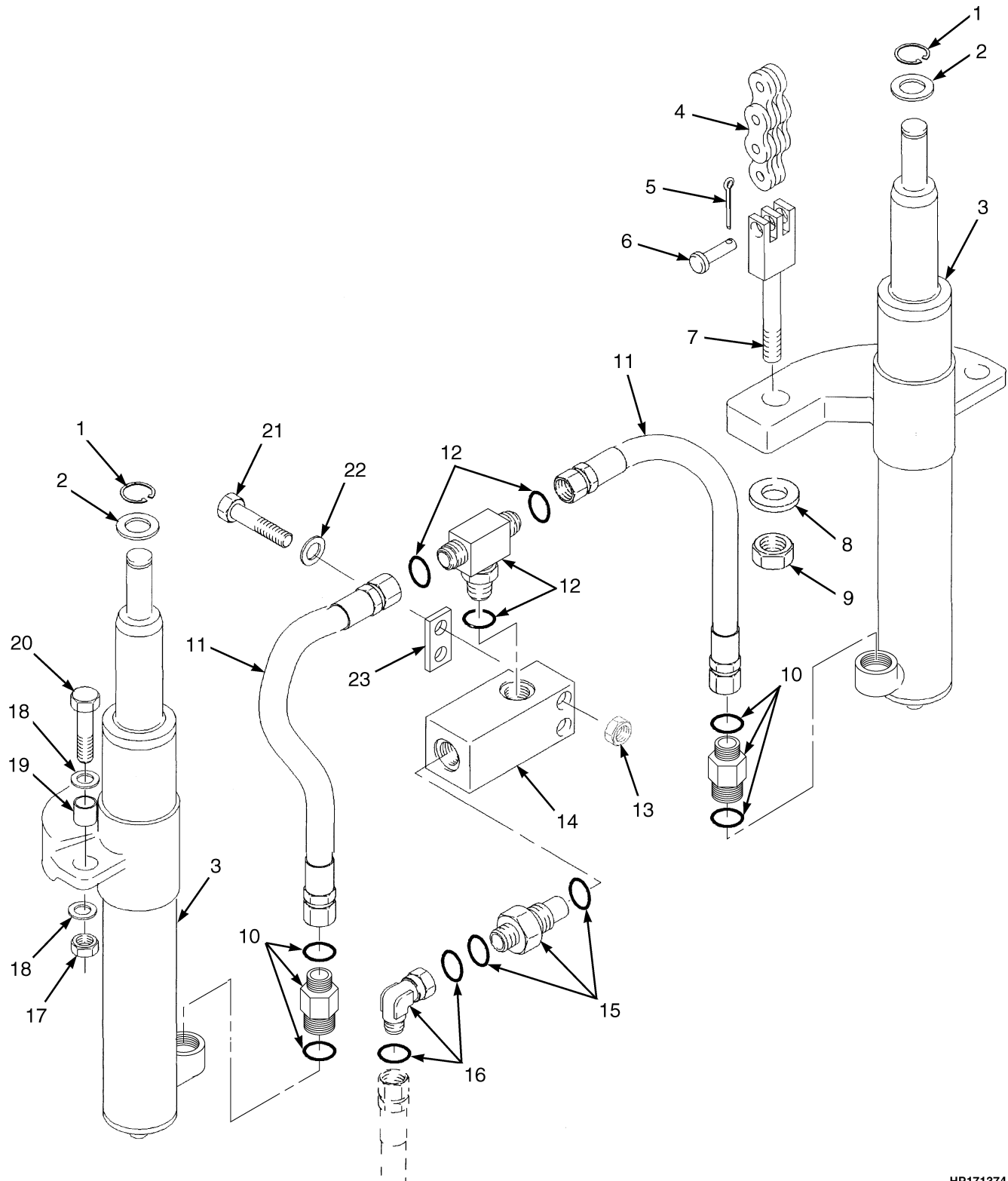
**B: J3.0-3.5XN**

ITEM	PART NO.	DESCRIPTION	QTY	
			A	B
	<b>a</b> . . . . .	Mast Assy .....	1	1
1	<b>a</b> . . . . .	Inner Mast .....	1	1
2	1345216	Stubshaft .....	2	2
3	58901	Snap Ring .....	2	2
4	129387	Shim (0.508 mm) .....	AR	AR
5	1333396	Load Roller ("B") (111.48/111.22) .....	2	2
6	1368656	Pin .....	2	2
7	1378691	Spacer .....	4	4
8	1379685	Chain Sheave .....	2	..
8	1379684	Chain Sheave Assembly .....	..	2
8	1378698	Chain Sheave .....	1	..
8	1378694	Chain Sheave .....	..	1
8	37752	Snap Ring .....	1	1
8	1378699	Ball Bearing .....	1	1
9	302462	Roll Pin .....	2	2

**FOOTNOTES:**

**a** Refer to Table

## MAIN LIFT (FIGURE 7-3) TWO STAGE LIMITED FREE-LIFT



HP171374

**MAIN LIFT  
TWO STAGE LIMITED FREE-LIFT**

**J2.2XN-J2.5XN**

ITEM	DESCRIPTION 1 2 3 4	LIFT HEIGHT TO BOTTOM OF FORKS				
		3352 mm (132.0 in.)	3552 mm (139.8 in.)	3752 mm (147.7 in.)	4292 mm (169.0 in.)	4792 mm (188.7 in.)
		Mast Group Number	D507 3352	D507 3552	D507 3752	D507 4292
4	Chain	129361	88446	1301870	246994	336393

**J3.0 XN-J3.5XN**

ITEM	DESCRIPTION 1 2 3 4	LIFT HEIGHT TO BOTTOM OF FORKS				
		3159 mm (124.4 in.)	3359 mm (132.2 in.)	3559 mm (140.1 in.)	4059 mm (159.8 in.)	4559 mm (179.5 in.)
		Mast Group Number	D562 3159	D562 3359	D562 3559	D562 4059
4	Chain	1342384	1342385	1342393	1359234	1342392

**KEY:**

**A: J2.0-3.5XN**

**B: J3.0-3.5XN**

ITEM	PART NO.	DESCRIPTION	QTY	
			A	B
1	131358	Snap Ring .....	2	2
2	1333382	Washer (1.500 mm) .....	2	2
2	1354915	Washer (0.254 mm) .....	AR	AR
2	1354916	Washer (0.762 mm) .....	AR	AR
2	1354917	Washer (1.524 mm) .....	AR	AR
3	.....	Main Lift Cylinders (☞ Figure 7-4).....	2	2
4	<b>a</b> .....	Chain .....	2	2
5	15211	Cotter Pin .....	2	2
6	1514866	Pin .....	2	2
7	1369357	Chain Anchor .....	2	..
7	1369356	Chain Anchor .....	..	2
8	297649	Ring .....	2	2
9	161003	Nut .....	2	2
10	2062686	Hyd Velocity Fuse .....	2	..
10	2062687	Hyd Velocity Fuse .....	..	2
10	16485	O-Ring .....	1	1
10	252729	O-Ring .....	1	1
11	1481097	Hose Assy .....	2	2
12	1532650	Fitting .....	1	1
12	16485	O-Ring .....	1	1
12	252729	O-Ring .....	2	2
13	1581566	Nut .....	2	2
14	1379687	Housing (Lowering Control) .....	1	1
15	2062651	Lowering Control Valve .....	1	..
15	2062652	Lowering Control Valve .....	..	1
15	16982	O-Ring .....	1	1

## MAIN LIFT TWO STAGE LIMITED FREE-LIFT

**KEY:****A: J2.0-3.5XN****B: J3.0-3.5XN**

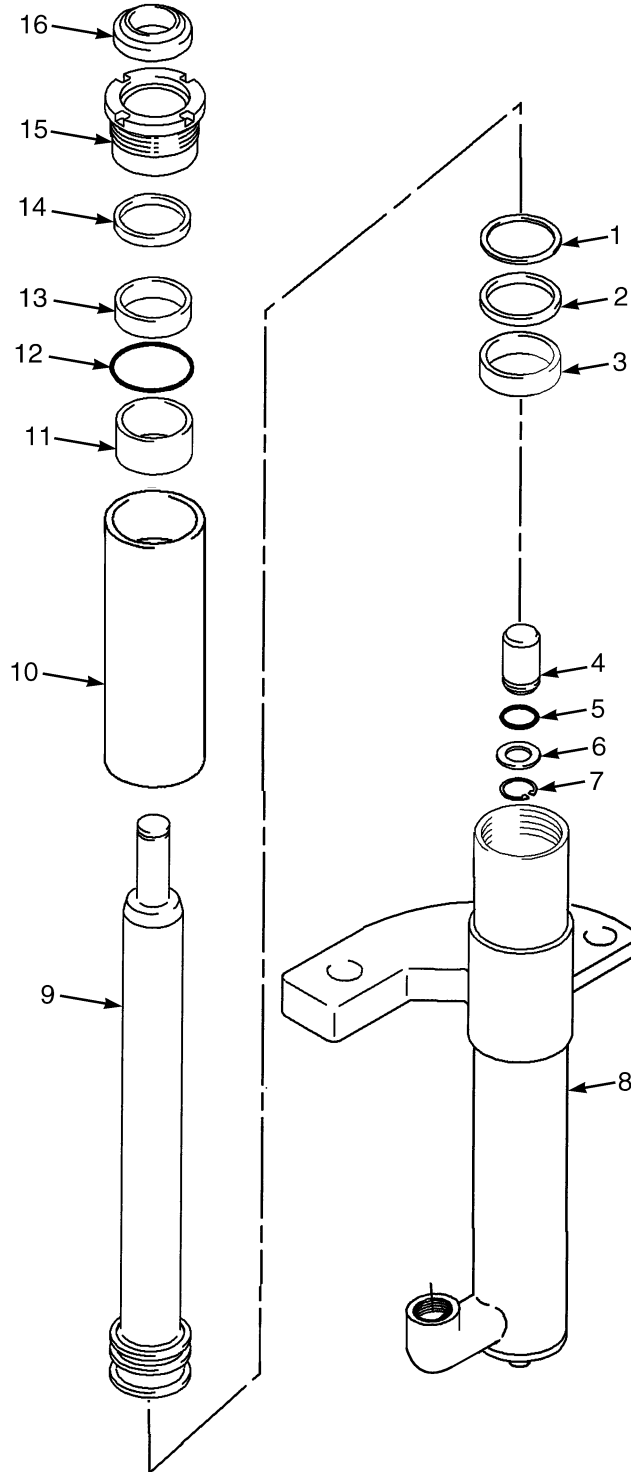
ITEM	PART NO.	DESCRIPTION	QTY	
			A	B
15	252729	O-Ring .....	1	1
16	1486773	Fitting .....	1	1
16	252729	O-Ring .....	2	2
17	1581849	Nut .....	2	2
18	1581852	Washer .....	4	4
19	323090	Spacer .....	2	2
20	1581829	Capscrew .....	2	2
21	1581836	Capscrew .....	2	2
22	1581556	Washer .....	2	2
23	1354913	Side Plate .....	1	1

**FOOTNOTES:****a** Refer to Table





## MAIN LIFT CYLINDER (FIGURE 7-4) TWO STAGE LIMITED FREE-LIFT



BP170293

**MAIN LIFT CYLINDER  
TWO STAGE LIMITED FREE-LIFT****J2.2XN-2.5XN (LEFT HAND)**

ITEM	DESCRIPTION 1 2 3 4	LIFT HEIGHT TO BOTTOM OF FORKS				
		3352 mm (132.0 in.)	3552 mm (139.8 in.)	3752 mm (147.7 in.)	4292 mm (169.0 in.)	4792 mm (188.7 in.)
		Mast Group Number	D507 3352	D507 3552	D507 3752	D507 4292
	Cylinder Group Number	8517710	8517712	8517714	8517719	8518101
	Cylinder Assy	2064143	2064145	2064147	2064152	2064106
8	Tube Wldmt- Cylinder	2064203	2064205	2064207	2064212	2064218
9	Cylinder Rod	1355162	1355170	1355178	1355199	1355217
10	Spacer	----	----	----	----	1355221

**J2.2XN-J2.5XN (RIGHT HAND)**

ITEM	DESCRIPTION 1 2 3 4	LIFT HEIGHT TO BOTTOM OF FORKS				
		3352 mm (132.0 in.)	3552 mm (139.8 in.)	3752 mm (147.7 in.)	4292 mm (169.0 in.)	4792 mm (188.7 in.)
		Mast Group Number	D507 3352	D507 3552	D507 3752	D507 4292
	Cylinder Group Number	8517760	8517762	8517764	8517769	8518101
	Cylinder Assy	2064167	2064169	2064171	2064176	2064120
8	Tube Wldmt- Cylinder	2064240	2064242	2064245	2064250	2064256
9	Cylinder Rod	1355162	1355170	1355178	1355199	1355217
10	Spacer	----	----	----	----	1355221

**J3.0 XN-3.5XN (LEFT HAND)**

ITEM	DESCRIPTION 1 2 3 4	LIFT HEIGHT TO BOTTOM OF FORKS				
		3159 mm (124.4 in.)	3359 mm (132.2 in.)	3559 mm (140.1 in.)	4059 mm (159.8 in.)	4559 mm (179.5 in.)
		Mast Group Number	D562 3159	D562 3359	D562 3559	D562 4059
	Cylinder Group Number	8518010	8518012	8518014	8518802	8518807
	Cylinder Assy	2064353	2064355	2064357	2064379	2064384
8	Tube Wldmt- Cylinder	2064279	2064281	2064283	2064288	2064293
9	Cylinder Rod	1355371	1355379	1355391	1355414	1355434
10	Spacer	1355711	1355711	1355711	2088124	2088124

**MAIN LIFT CYLINDER  
TWO STAGE LIMITED FREE-LIFT  
J3.0 XN-J3.5XN (RIGHT HAND)**

ITEM	DESCRIPTION 1 2 3 4	LIFT HEIGHT TO BOTTOM OF FORKS				
		3159 mm (124.4 in.)	3359 mm (132.2 in.)	3559 mm (140.1 in.)	4059 mm (159.8 in.)	4559 mm (179.5 in.)
		Mast Group Number	D562 3159	D562 3359	D562 3559	D562 4059
	Cylinder Group Number	8518060	8518062	8518064	8518852	8518857
	Cylinder Assy	2064370	2064372	2064374	2064399	2064404
8	Tube Wldmt- Cylinder	2064315	2064317	2064319	2064324	2064343
9	Cylinder Rod	1355371	1355379	1355391	1355414	1355434
10	Spacer	1355711	1355711	1355711	2088124	2088124

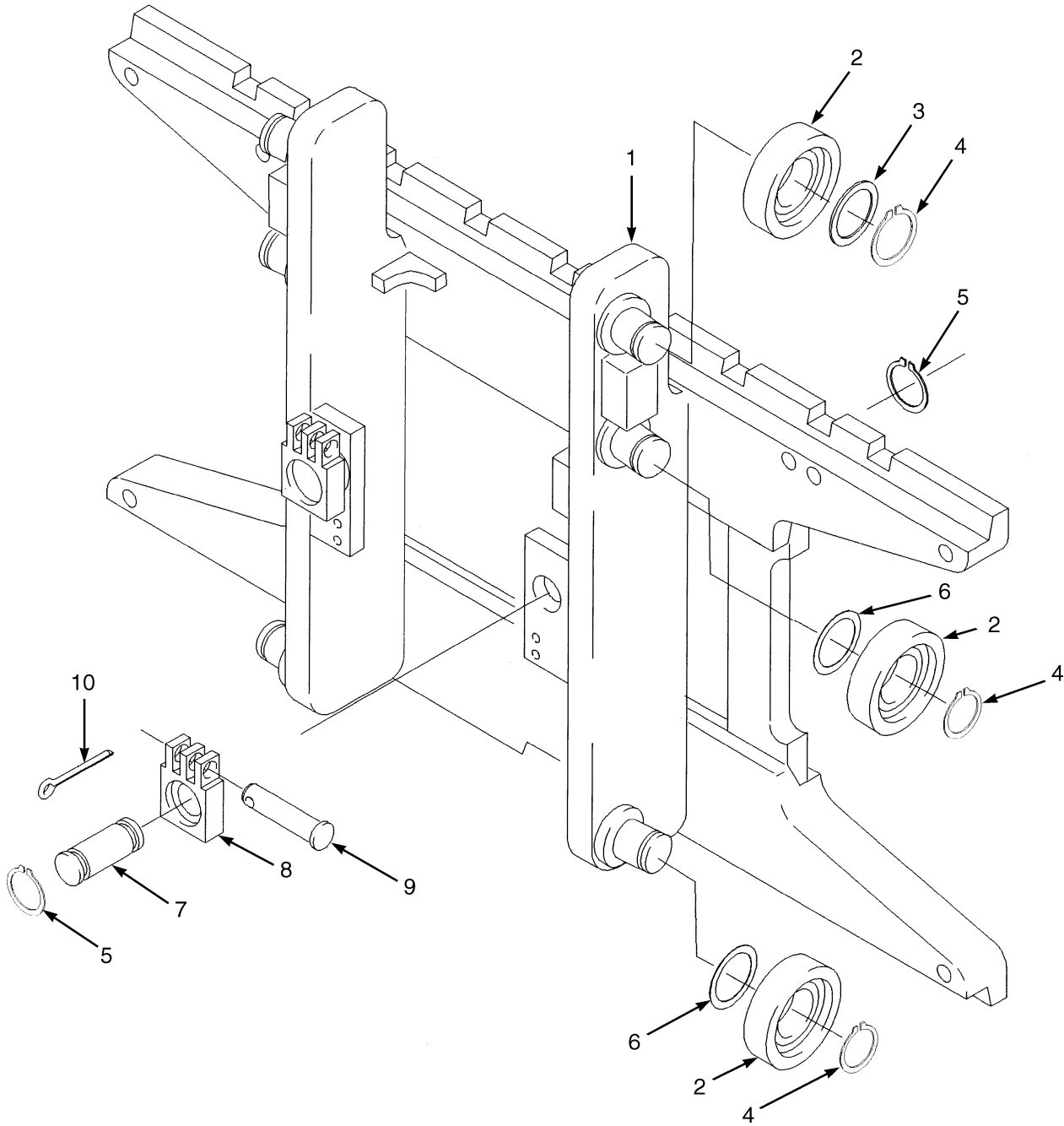
- KEY:**  
**A: J2.0-2.5XN (LH)**  
**B: J2.0-2.5XN (RH)**  
**C: J3.0-3.5XN (LH)**  
**D: J3.0-3.5XN (RH)**

ITEM	PART NO.	DESCRIPTION	QTY			
			A	B	C	D
	<b>a . . . .</b>	Cylinder Assy .....	1	1	1	1
1	638246	Back-Up Ring .....	1	1	..	..
1	335012	Back-Up Ring .....	..	..	1	1
2	2013075	Rod Seal .....	1	1	..	..
2	334156	Rod Seal .....	..	..	1	1
3	1356750	Wear Ring .....	1	1	..	..
3	1356751	Wear Ring .....	..	..	1	1
4	257913	Check Valve .....	1	1	1	1
5	190580	O-Ring .....	1	1	1	1
6	297531	Washer .....	1	1	1	1
7	187388	Snap Ring .....	1	1	1	1
8	<b>a . . . .</b>	Tube Wldmt-Cylinder .....	1	1	1	1
9	<b>a . . . .</b>	Cylinder Rod .....	1	1	1	1
10	<b>a . . . .</b>	Spacer .....	1	1	1	1
11	322902	Wear Ring .....	1	1	1	1
12	<del>4028986</del> 92861	O-Ring .....	1	1	..	..
12	59229	O-Ring .....	..	..	1	1
13	1356749	Rod Seal .....	1	1	1	1
14	322824	Back-Up Ring .....	1	1	1	1
15	2091257	Gland .....	1	1	..	..
15	2091259	Gland .....	..	..	1	1
16	1319668	Rod Wiper .....	1	1	1	1
	1355276	Kit-Seal .....	1	1	..	..
	1499111	Kit-Seal .....	..	..	1	1

**FOOTNOTES:**

- a** Refer to Table

## CARRIAGE (FIGURE 7-5) TWO STAGE LIMITED FREE-LIFT



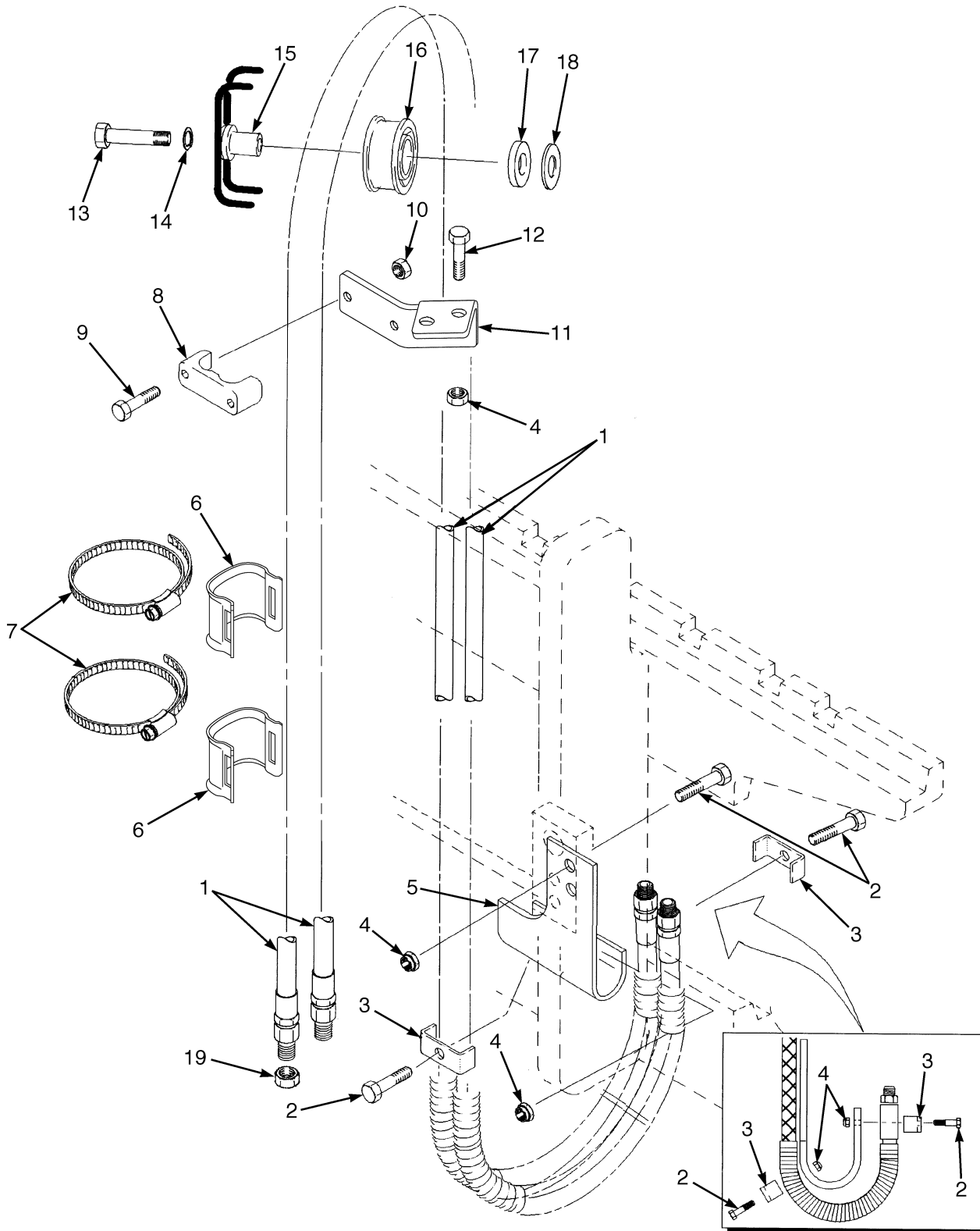
HP290013

**CARRIAGE**  
**TWO STAGE LIMITED FREE-LIFT****KEY:****A: J2.0-2.5 XN****B: J3.0-3.5 XN**

ITEM	PART NO.	DESCRIPTION	QTY	
			A	B
	2078482	Carriage .....	1	..
	2078483	Carriage .....	..	1
1	1601830	Carriage Wldmt .....	1	..
1	1601834	Carriage Wldmt .....	..	1
2	1345219	Load Roller ("B") (111.48/111.22) .....	6	6
3	366116	Spacer .....	2	2
4	12891	Snap Ring .....	6	6
5	131358	Snap Ring .....	4	4
6	1345263	Shim (0.508 mm) .....	AR	AR
7	1353408	Pin .....	2	2
8	1504012	Chain Anchor (Single Hole) .....	2	2
8	1369344	Chain Anchor (Dual Hole) .....	2	2
9	1514866	Pin .....	2	2
10	15211	Cotter Pin .....	2	2
	<b>a</b> 386422	Snap Ring .....	6	6

**FOOTNOTES:****a** Not Illustrated

## HEADER HOSES (FIGURE 7-6) TWO STAGE LIMITED FREE-LIFT



HP171373



**HEADER HOSES  
TWO STAGE LIMITED FREE-LIFT**

**J2.2XN-J2.5XN**

ITEM	DESCRIPTION 1 2 3 4	LIFT HEIGHT TO BOTTOM OF FORKS				
		3352 mm (132.0 in.)	3552 mm (139.8 in.)	3752 mm (147.7 in.)	4292 mm (169.0 in.)	4792 mm (188.7 in.)
		Mast Group Number	D507 3352	D507 3552	D507 3752	D507 4292
1	Hose Assy	2065139	2065141	2065143	2065148	2065153

**J3.0 XN-J3.5XN**

ITEM	DESCRIPTION 1 2 3 4	LIFT HEIGHT TO BOTTOM OF FORKS				
		3159 mm (124.4 in.)	3359 mm (132.2 in.)	3559 mm (140.1 in.)	4059 mm (159.8 in.)	4559 mm (179.5 in.)
		Mast Group Number	D562 3159	D562 3359	D562 3559	D562 4059
1	Hose Assy	2065139	2065141	2065143	2065148	2065153

**KEY:**

**A:** Three Function

**B:** Four Function

ITEM	PART NO.	DESCRIPTION	QTY	
			A	B
1	a . . . . .	Hose Assy .....	2	4
2	1581582	Capscrew .....	4	8
3	1345348	Clamp .....	2	4
4	1581566	Nut .....	6	12
5	1345412	Bracket (RH) .....	1	..
5	1345413	Bracket (LH) .....	1	1
6	1477996	Hose Clamp .....	4	8
7	1617657	Clamp .....	2	4
8	1360386	Clamp (Double Hose) .....	1	2
9	1581834	Capscrew .....	2	4
10	1581565	Nut .....	2	4
11	1354919	Bracket (RH) .....	1	..
11	1354921	Bracket (LH) .....	1	1
12	1581836	Capscrew .....	2	4
13	1581830	Capscrew .....	1	2
14	1581564	Lockwasher .....	1	2
15	1360548	Stubshaft .....	1	2
16	1494017	Hose Sheave .....	1	2
17	1360549	Spacer .....	1	2
18	1345190	Washer .....	1	2
19	1529015	Cap .....	2	4

**FOOTNOTES:**

**a** Refer to Table



**8**

**MAST-THREE STAGE FULL FREE-LIFT**

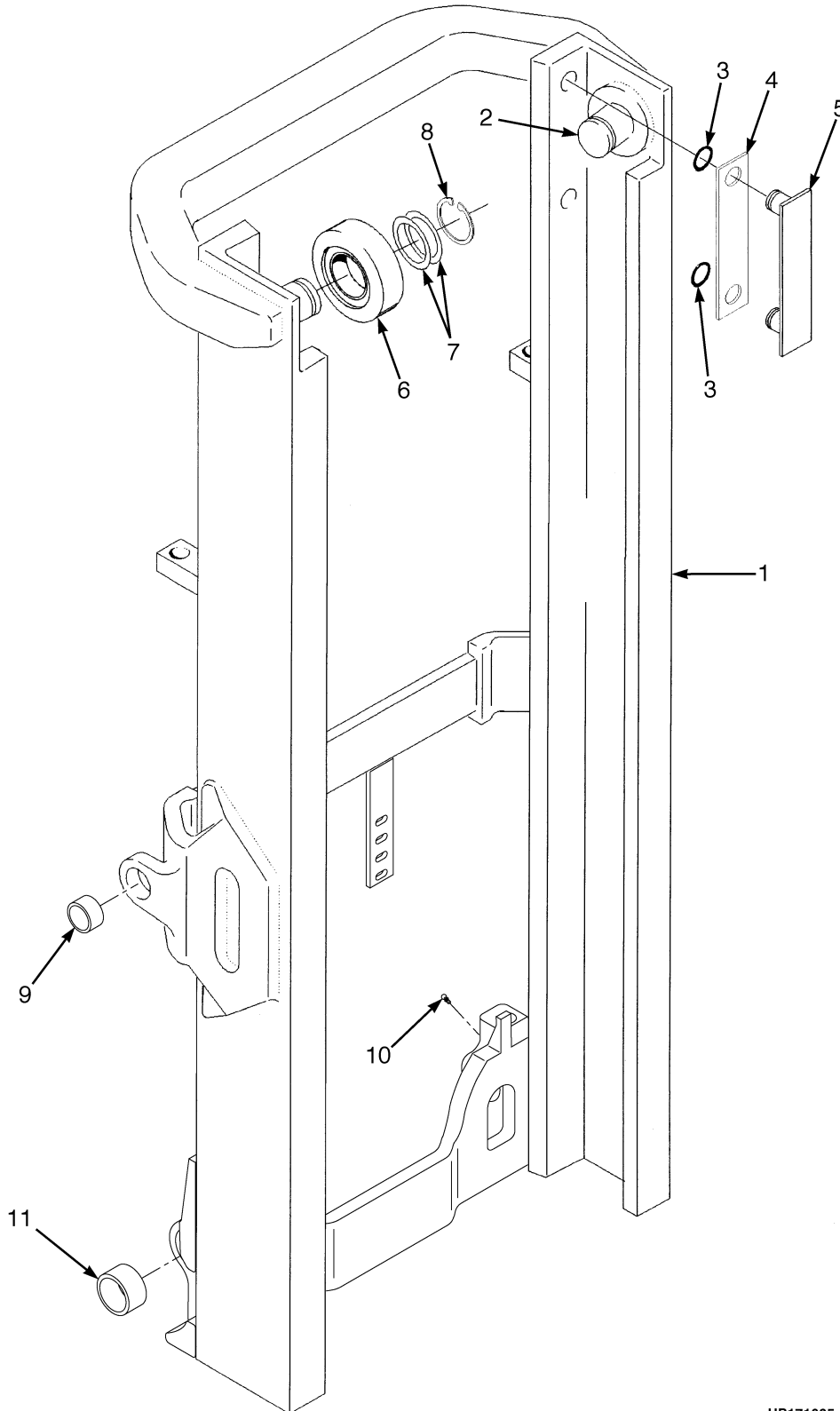


## SECTION 8

### MAST-THREE STAGE FULL FREE-LIFT

DESCRIPTION	PAGE
CARRIAGE	
THREE STAGE FULL FREE-LIFT .....	8-34
FREE-LIFT	
THREE STAGE FULL FREE-LIFT .....	8-18
FREE-LIFT CYLINDERS	
THREE STAGE FULL FREE-LIFT .....	8-22
HEADER HOSES	
THREE STAGE FULL FREE-LIFT (→ S/N D508B24531J) (→ S/N D563B20447J) .....	8-26
THREE STAGE FULL FREE-LIFT (S/N D508B24532J →) (S/N D563B20448J →) .....	8-30
INNER MAST	
THREE STAGE FULL FREE-LIFT .....	8-8
INTERMEDIATE MAST	
THREE STAGE FULL FREE-LIFT .....	8-4
MAIN LIFT	
THREE STAGE FULL FREE-LIFT .....	8-10
MAIN LIFT CYLINDER	
THREE STAGE FULL FREE-LIFT .....	8-14
OUTER MAST	
THREE STAGE FULL FREE-LIFT .....	8-2

## OUTER MAST (FIGURE 8-1) THREE STAGE FULL FREE-LIFT



HP171065

**OUTER MAST  
THREE STAGE FULL FREE-LIFT**

**J2.2-2.5XN**

ITEM	DESCRIPTION 1 2 3 4	LIFT HEIGHT TO BOTTOM OF FORKS			
		4910 mm (193.3 in.)	5210 mm (205.1 in.)	5510 mm (216.9 in.)	5960 mm (234.6 in.)
		Mast Group Number	D508 4910	D508 5210	D508 5510
	Mast Assy	2065457	2065461	2065465	2065470
1	Outer Mast	1524755	1524758	1524760	1524763

**J3.0-3.5XN**

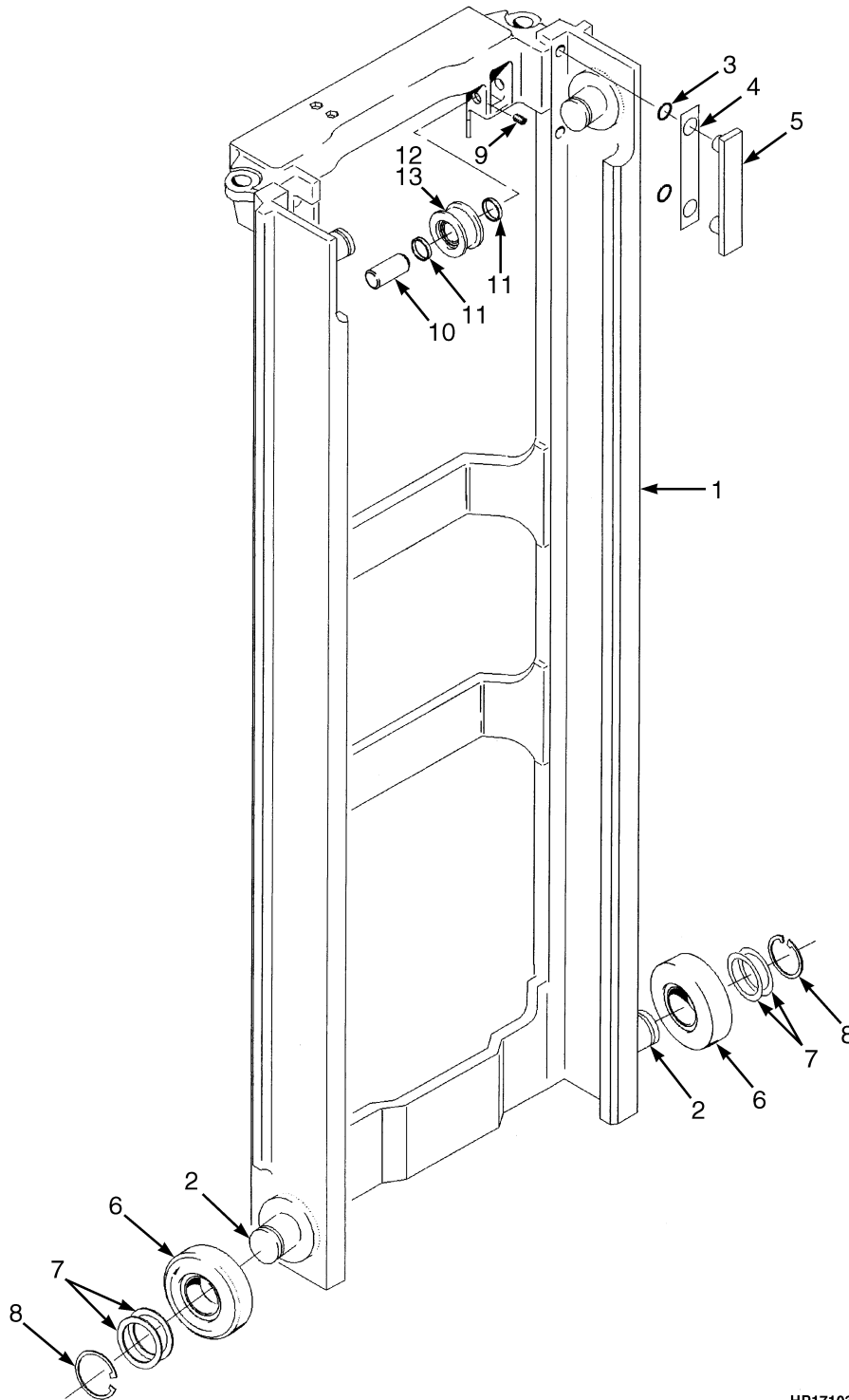
ITEM	DESCRIPTION 1 2 3 4	LIFT HEIGHT TO BOTTOM OF FORKS			
		4568 mm (179.8 in.)	4868 mm (191.7 in.)	5168 mm (203.5 in.)	5768 mm (227.1 in.)
		Mast Group Number	D563 4568	D563 4868	D563 5168
	Mast Assy	2065397	2065400	2065404	2065411
1	Outer Mast	1524755	1524758	1524760	1524764

ITEM	PART NO.	DESCRIPTION	QTY
	<b>a</b> . . . . .	Mast Assy .....	1
1	<b>a</b> . . . . .	Outer Mast .....	1
2	1345216	Stubshaft .....	2
3	104506	O-Ring .....	4
4	131715	Shim (0.178 mm) .....	4
4	131716	Shim (0.508 mm) .....	4
5	215211	Wear Strip .....	2
6	1333396	Load Roller ("B") (111.48/111.22) .....	2
7	129387	Shim (0.508 mm) .....	AR
8	58901	Snap Ring .....	2
9	300982	Bushing .....	2
10	16001	Grease Fitting .....	2
11	1502811	Bushing .....	2

**FOOTNOTES:**

**a** Refer to Table

## INTERMEDIATE MAST (FIGURE 8-2) THREE STAGE FULL FREE-LIFT



HP171030



**INTERMEDIATE MAST  
THREE STAGE FULL FREE-LIFT**

**J2.2-2.5XN**

ITEM	DESCRIPTION 1 2 3 4	LIFT HEIGHT TO BOTTOM OF FORKS			
		4910 mm (193.3 in.)	5210 mm (205.1 in.)	5510 mm (216.9 in.)	5960 mm (234.6 in.)
		Mast Group Number	D508 4910	D508 5210	D508 5510
	Mast Assy	2065457	2065461	2065465	2065470
1	Intermediate Mast	1524835	1524837	1524839	1524842

**J3.0-3.5XN**

ITEM	DESCRIPTION 1 2 3 4	LIFT HEIGHT TO BOTTOM OF FORKS			
		4568 mm (179.8 in.)	4868 mm (191.7 in.)	5168 mm (203.5 in.)	5768 mm (227.1 in.)
		Mast Group Number	D563 4568	D563 4868	D563 5168
	Mast Assy	2065397	2065400	2065404	2065411
1	Intermediate Mast	1524835	1524837	1524839	1524843

**KEY:**

**A: J2.2-2.5XN**

**B: J3.0-3.5XN**

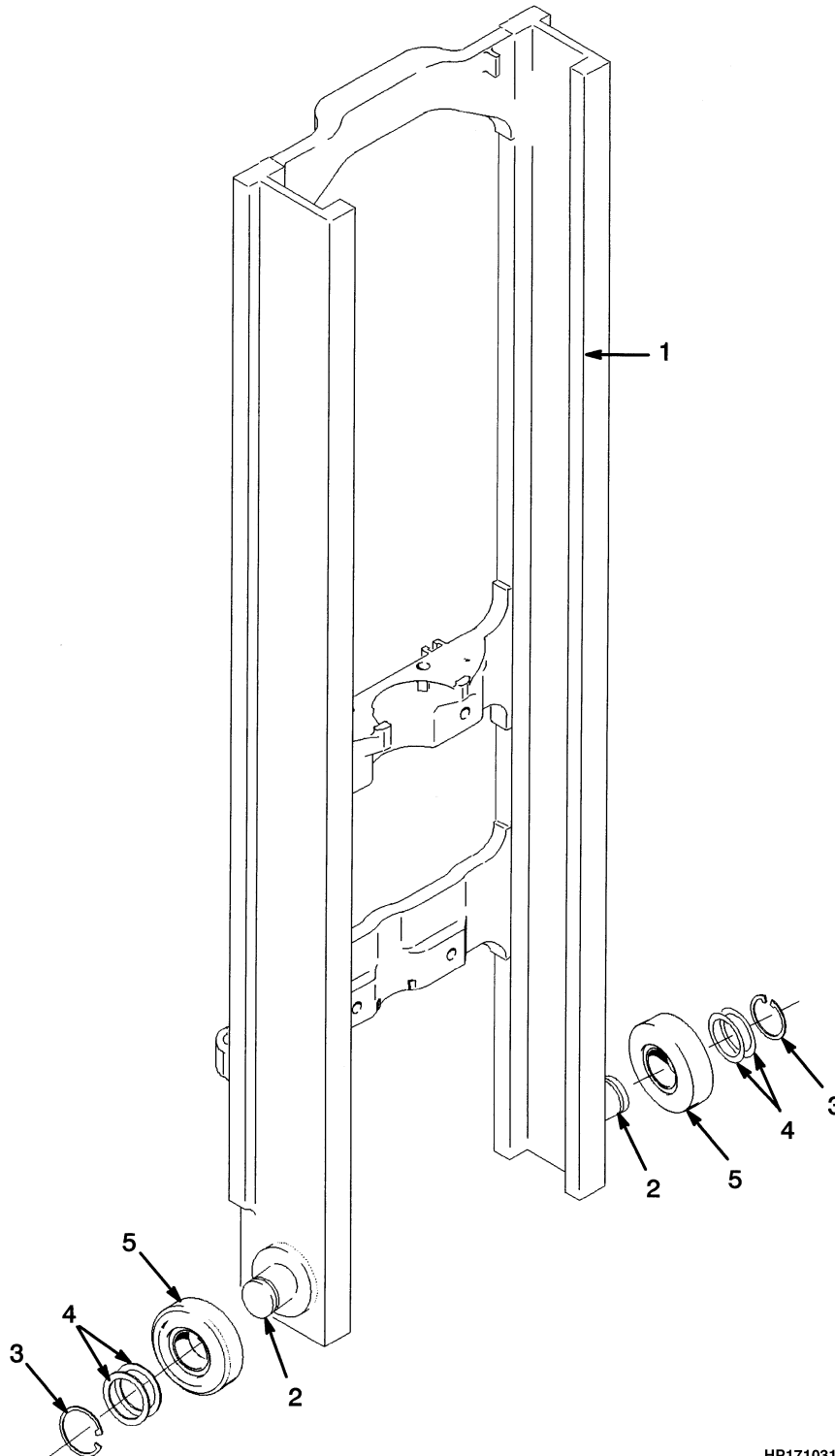
ITEM	PART NO.	DESCRIPTION	QTY	
			A	B
	<b>a</b> . . . . .	Mast Assy .....	1	1
1	<b>a</b> . . . . .	Intermediate Mast .....	1	1
2	1345216	Stubshaft .....	2	2
3	104506	O-Ring .....	4	4
4	131716	Shim (0.508 mm) .....	4	4
5	215211	Wear Strip .....	2	2
6	1333396	Load Roller ("B") (111.48/111.22) .....	4	4
7	129387	Shim (0.508 mm) .....	AR	AR
8	58901	Snap Ring .....	4	4
9	302462	Roll Pin .....	2	2
10	1368656	Pin .....	2	2
11	1378691	Spacer .....	4	4
12	1379685	Chain Sheave .....	2	..
12	1378698	Chain Sheave .....	1	..
12	37752	Snap Ring .....	1	..
12	1378699	Ball Bearing .....	1	..
13	1379684	Chain Sheave Assembly .....	..	2
13	1378694	Chain Sheave .....	..	1
13	37752	Snap Ring .....	..	1
13	1378699	Ball Bearing .....	..	1

**FOOTNOTES:**

- a Refer to Table



## INNER MAST (FIGURE 8-3) THREE STAGE FULL FREE-LIFT



HP171031

**INNER MAST  
THREE STAGE FULL FREE-LIFT**

**J2.2-2.5XN**

ITEM	DESCRIPTION 1 2 3 4	LIFT HEIGHT TO BOTTOM OF FORKS			
		4910 mm (193.3 in.)	5210 mm (205.1 in.)	5510 mm (216.9 in.)	5960 mm (234.6 in.)
		Mast Group Number	D508 4910	D508 5210	D508 5510
	Mast Assy	2065457	2065461	2065465	2065470
1	Inner Mast	1381358	1381360	1381362	1381365

**J3.0-3.5XN**

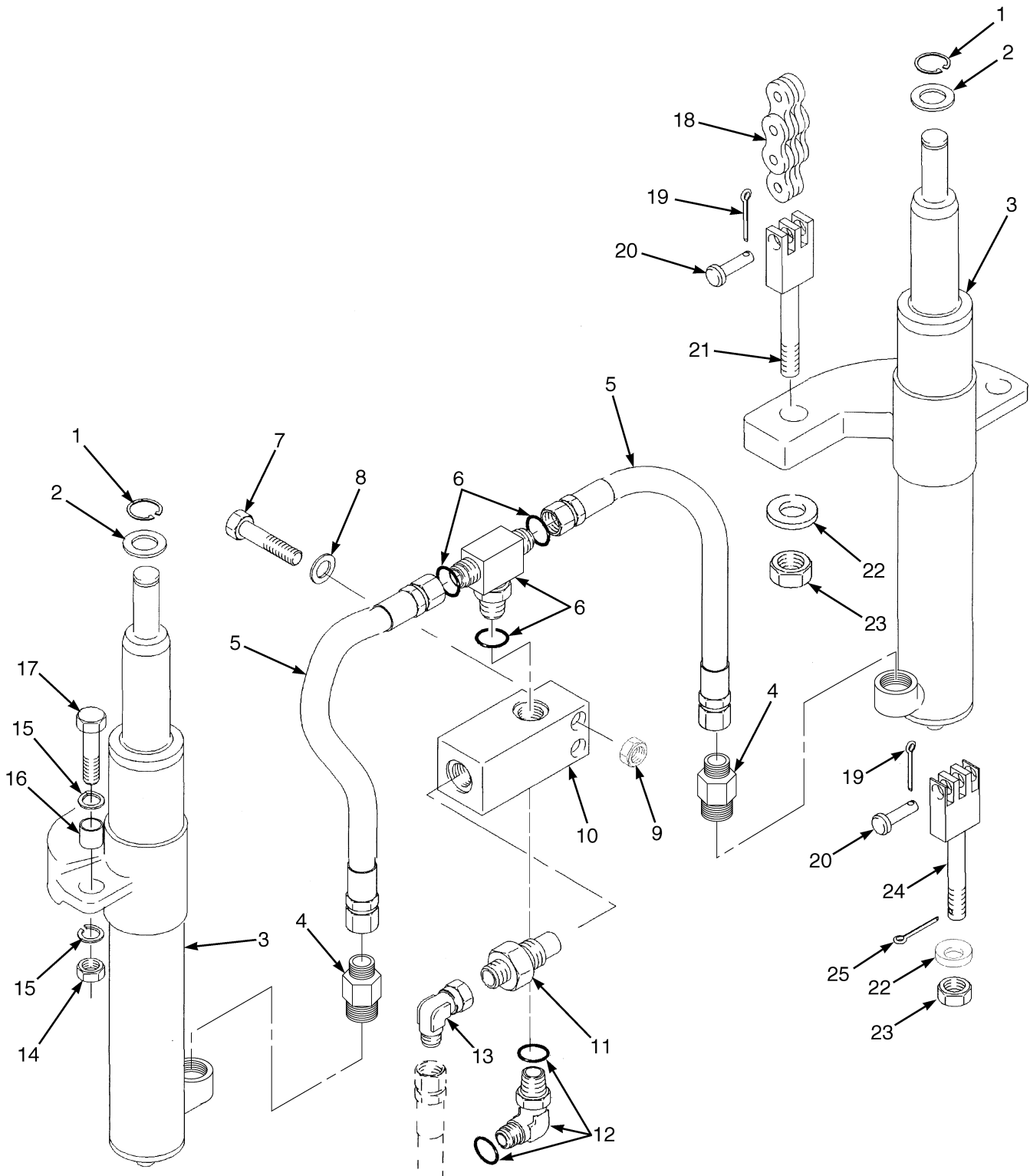
ITEM	DESCRIPTION 1 2 3 4	LIFT HEIGHT TO BOTTOM OF FORKS			
		4568 mm (179.8 in.)	4868 mm (191.7 in.)	5168 mm (203.5 in.)	5768 mm (227.1 in.)
		Mast Group Number	D563 4568	D563 4868	D563 5168
	Mast Assy	2065397	2065400	2065404	2065411
1	Inner Mast	1381358	1381360	1381362	1381366

ITEM	PART NO.	DESCRIPTION	QTY
	<b>a</b> . . . . .	Mast Assy .....	1
1	<b>a</b> . . . . .	Inner Mast .....	1
2	1345216	Stubshaft .....	2
3	58901	Snap Ring .....	2
4	129387	Shim (0.508 mm) .....	AR
5	1333396	Load Roller ("B") (111.48/111.22) .....	2

**FOOTNOTES:**

**a** Refer to Table

## MAIN LIFT (FIGURE 8-4) THREE STAGE FULL FREE-LIFT



HP170922

**MAIN LIFT  
THREE STAGE FULL FREE-LIFT**

**J2.2-2.5XN**

ITEM	DESCRIPTION 1 2 3 4	LIFT HEIGHT TO BOTTOM OF FORKS			
		4910 mm (193.3 in.)	5210 mm (205.1 in.)	5510 mm (216.9 in.)	5960 mm (234.6 in.)
		Mast Group Number	D508 4910	D508 5210	D508 5510
18	Chain	337174	320076	135588	335041

**J3.0-3.5XN**

ITEM	DESCRIPTION 1 2 3 4	LIFT HEIGHT TO BOTTOM OF FORKS			
		4568 mm (179.8 in.)	4868 mm (191.7 in.)	5168 mm (203.5 in.)	5768 mm (227.1 in.)
		Mast Group Number	D563 4568	D563 4868	D563 5168
18	Chain	1342124	1342127	1342129	1342132

ITEM	PART NO.	DESCRIPTION	QTY
1	131358	Snap Ring .....	2
2	1333382	Washer (1.500 mm) .....	2
2	1354915	Washer (0.254 mm) .....	AR
2	1354916	Washer (0.762 mm) .....	AR
2	1354917	Washer (1.524 mm) .....	AR
3	.....	Main Lift Cylinders (☞ Figure 8-5).....	2
4	2062686	Hyd Velocity Fuse (J2.2-2.5XN) .....	2
4	2062687	Hyd Velocity Fuse (J3.0-3.5XN) .....	2
4	16485	O-Ring .....	1
4	252729	O-Ring .....	1
5	1481097	Hose Assy .....	2
6	1532650	Fitting .....	1
6	16485	O-Ring .....	1
6	1527818	O-Ring .....	2
7	1581835	Capscrew .....	2
8	1581556	Washer .....	2
9	1581566	Nut .....	2
10	1333392	Housing (Lowering Control) .....	1
11	2062651	Lowering Control Valve (J2.0-2.5XN) .....	1
11	2062652	Lowering Control Valve (J3.0-3.5XN) .....	1
12	1480747	Fitting .....	1
12	16486	O-Ring .....	1
12	1527820	O-Ring .....	1
13	1486773	Fitting .....	1
13	1527818	O-Ring .....	1
14	1581849	Nut .....	2
15	1581852	Washer .....	4
16	323090	Spacer .....	2
17	1581829	Capscrew .....	2
18	<b>a</b> .....	Chain .....	1

**MAIN LIFT  
THREE STAGE FULL FREE-LIFT**

<b>ITEM</b>	<b>PART NO.</b>	<b>DESCRIPTION</b>	<b>QTY</b>
19	15211	Cotter Pin .....	2
20	1514866	Pin .....	2
21	1369357	Chain Anchor (J2.2-2.5XN) .....	2
21	1369356	Chain Anchor (J3.0-3.5XN) .....	2
22	297649	Ring .....	2
23	161003	Nut .....	2
24	1365140	Chain Anchor (J2.2-2.5XN) .....	2
24	1333329	Chain Anchor (J3.0-3.5XN) .....	2
25	15223	Cotter Pin .....	2

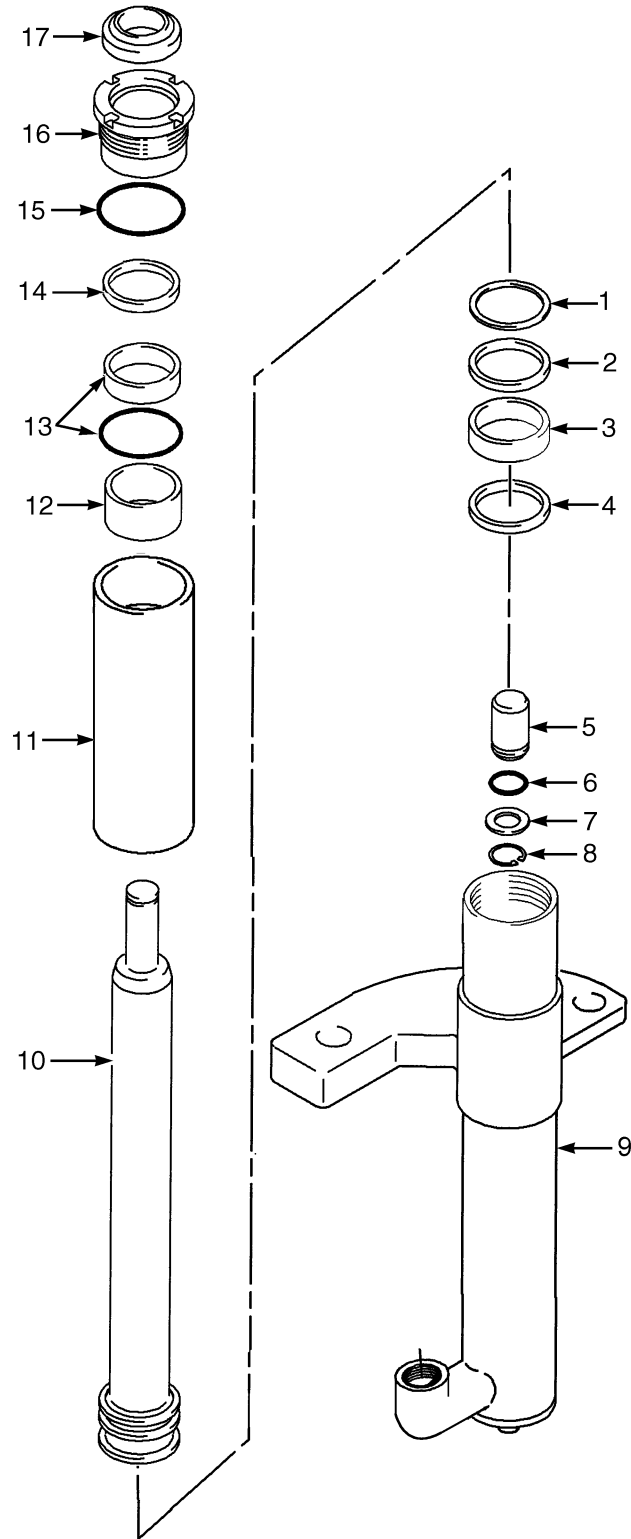
**FOOTNOTES:**

- a Refer to Table





## MAIN LIFT CYLINDER (FIGURE 8-5) THREE STAGE FULL FREE-LIFT



BP170294

**MAIN LIFT CYLINDER  
THREE STAGE FULL FREE-LIFT****LEFT HAND**

ITEM	DESCRIPTION 1 2 3 4	LIFT HEIGHT TO BOTTOM OF FORKS			
		4910 mm (193.3 in.)	5210 mm (205.1 in.)	5510 mm (216.9 in.)	5960 mm (234.6 in.)
		Mast Group Number	D508 4910	D508 5210	D508 5510
	Cylinder Group Number	8518209	8518211	8518213	8518216
	Cylinder Assy	2064644	2064646	2064648	2064651
9	Tube Wldmt- Cylinder	2064611	2064613	2064615	2064618
10	Cylinder Rod	1355603	1355612	1355620	1355633
11	Spacer	----	1355610	1355610	1355626

**RIGHT HAND**

ITEM	DESCRIPTION 1 2 3 4	LIFT HEIGHT TO BOTTOM OF FORKS			
		4910 mm (193.3 in.)	5210 mm (205.1 in.)	5510 mm (216.9 in.)	5960 mm (234.6 in.)
		Mast Group Number	D508 4910	D508 5210	D508 5510
	Cylinder Group Number	8518259	8518261	8518263	8518266
	Cylinder Assy	2064677	2064679	2064681	2064684
9	Tube Wldmt- Cylinder	2073084	2090829	2073086	2079984
10	Cylinder Rod	1355603	1355612	1355620	1355633
11	Spacer	----	1355610	1355610	1355626

**LEFT HAND**

ITEM	DESCRIPTION 1 2 3 4	LIFT HEIGHT TO BOTTOM OF FORKS			
		4910 mm (193.3 in.)	5210 mm (205.1 in.)	5510 mm (216.9 in.)	5960 mm (234.6 in.)
		Mast Group Number	D563 4568	D563 4868	D563 5168
	Cylinder Group Number	8518309	8518311	8518313	8518317
	Cylinder Assy	2064710	2064712	2064714	2064718
9	Tube Wldmt- Cylinder	2064563	2064565	2064567	2064571
10	Cylinder Rod	1355745	1355710	1355758	1355775
11	Spacer	----	2073087	2073087	2077818

**MAIN LIFT CYLINDER  
THREE STAGE FULL FREE-LIFT  
RIGHT HAND**

ITEM	DESCRIPTION 1 2 3 4	LIFT HEIGHT TO BOTTOM OF FORKS			
		4910 mm (193.3 in.)	5210 mm (205.1 in.)	5510 mm (216.9 in.)	5960 mm (234.6 in.)
		Mast Group Number	D563 4568	D563 4868	D563 5168
	Cylinder Assy	8518359	8518361	8518363	8518367
	Cylinder Assy	2064735	2064737	2064739	2064743
9	Tube Wldmt- Cylinder	2064587	2064589	2064591	2064595
10	Cylinder Rod	1355745	1355710	1355758	1355775
11	Spacer	----	2073087	2073087	2077818

**KEY:**

**A: J2.2-2.5XN**

**B: J3.0-3.5XN**

ITEM	PART NO.	DESCRIPTION	QTY	
			A	B
	<b>a . . . . .</b>	Cylinder Assy .....	1	1
1	638246	Back-Up Ring .....	1	..
1	335012	Back-Up Ring .....	..	1
2	2013075	Rod Seal .....	1	..
2	334156	Rod Seal .....	..	1
3	1356750	Wear Ring .....	1	..
3	1356751	Wear Ring .....	..	1
4	1360127	Piston Ring .....	1	..
4	1356748	Piston Ring .....	..	1
5	257913	Check Valve .....	1	1
6	190580	O-Ring .....	1	1
7	297531	Washer .....	1	1
8	187388	Snap Ring .....	1	1
9	<b>a . . . . .</b>	Tube Wldmt-Cylinder .....	1	1
10	<b>a . . . . .</b>	Cylinder Rod .....	1	1
11	<b>a . . . . .</b>	Spacer .....	1	1
12	322902	Wear Ring .....	1	1
13	1356749	Rod Seal .....	1	1
13	1381095	Rod Seal .....	1	1
14	322824	Back-Up Ring .....	1	1
15	<del>4028986</del>			
	92861	O-Ring .....	1	..
15	59229	O-Ring .....	..	1
16	2091257	Gland .....	1	..
16	2091259	Gland .....	..	1
16	1355496	Gland .....	1	..
16	1355713	Gland .....	..	1
17	1319668	Rod Wiper .....	1	1

**MAIN LIFT CYLINDER  
THREE STAGE FULL FREE-LIFT**

**KEY:**

**A: J2.2-2.5XN**

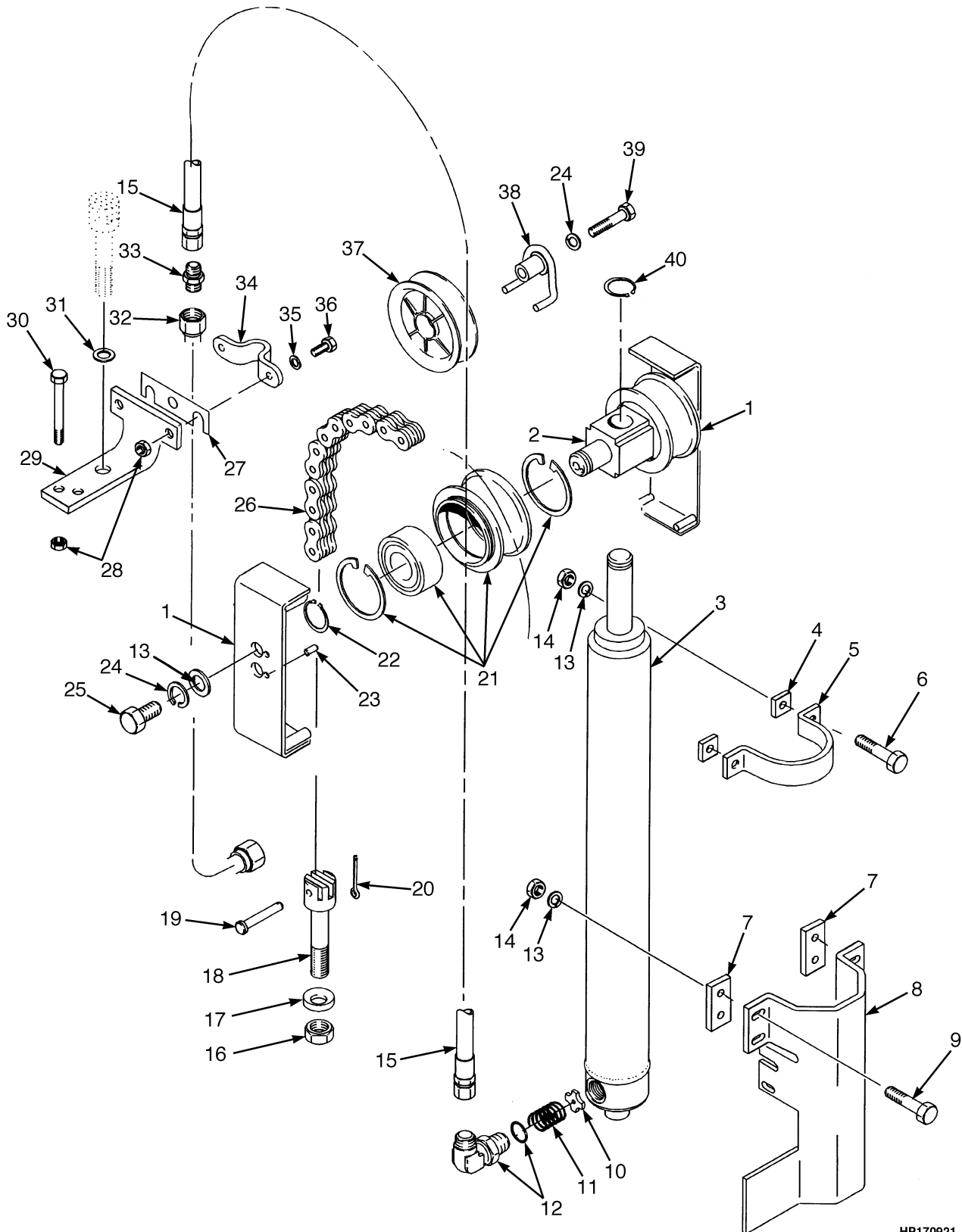
**B: J3.0-3.5XN**

ITEM	PART NO.	DESCRIPTION	QTY	
			A	B
	1355497	Kit-Seal .....	1	..
	1355714	Kit-Seal .....	..	1

**FOOTNOTES:**

**a** Refer to Table

## FREE-LIFT (FIGURE 8-6) THREE STAGE FULL FREE-LIFT



HP170921

**FREE-LIFT  
THREE STAGE FULL FREE-LIFT**

**J2.2-2.5XN**

ITEM	DESCRIPTION 1 2 3 4	LIFT HEIGHT TO BOTTOM OF FORKS			
		4910 mm (193.3 in.)	5210 mm (205.1 in.)	5510 mm (216.9 in.)	5960 mm (234.6 in.)
		Mast Group Number D508 4910	D508 5210	D508 5510	D508 5960
15	Hose Assy	2084654	2084656	2084658	2084661
26	Chain	88431	180217	164474	223389
32	Tube Assy	2075929	2075931	2075933	2075936

**J3.0-3.5XN**

ITEM	DESCRIPTION 1 2 3 4	LIFT HEIGHT TO BOTTOM OF FORKS			
		4568 mm (179.8 in.)	4868 mm (191.7 in.)	5168 mm (203.5 in.)	5768 mm (227.1 in.)
		Mast Group Number D563 4568	D563 4868	D563 5168	D563 5768
15	Hose Assy	2084570	2084572	2084574	2084578
26	Chain	1342378	1342380	1342381	1342384
32	Tube Assy	2075929	2075931	2075933	2075937

**KEY:**

**A: J2.2-2.5XN**

**B: J3.0-3.5XN**

ITEM	PART NO.	DESCRIPTION	QTY	
			A	B
1	1395285	Chain Guard .....	2	2
2	1378690	Crosshead .....	1	1
3	.....	Free-Lift Cylinder (☞ Figure 8-7).....	1	1
4	1354902	Spacer .....	2	2
5	1465504	Tie Down .....	1	1
6	1581827	Capscrew .....	2	..
6	1581828	Capscrew .....	..	2
7	1354903	Spacer .....	2	2
8	<b>b</b> 1702706	Bracket .....	1	1
8	<b>c</b> 4015720	Bracket Wldmt .....	1	1
9	1581832	Capscrew .....	4	4
10	356505	Washer (Special) .....	1	1
11	154355	Spring .....	1	1
12	1481095	Fitting .....	1	1
12	16485	O-Ring .....	1	1
13	1581559	Washer .....	8	8
14	1581849	Nut .....	6	6
15	<b>a</b> .....	Hose Assy .....	1	1
16	161003	Nut .....	2	2
17	297649	Ring .....	2	2

## FREE-LIFT THREE STAGE FULL FREE-LIFT

**KEY:**

**A:** J2.2-2.5XN

**B:** J3.0-3.5XN

ITEM	PART NO.	DESCRIPTION	QTY	
			A	B
18	1369357	Chain Anchor .....	2	..
18	1369356	Chain Anchor .....	..	2
19	1514866	Pin .....	2	2
20	15211	Cotter Pin .....	2	2
21	1379682	Chain Sheave Assembly .....	2	..
21	1379683	Chain Sheave Assembly .....	..	2
21	1378692	Chain Sheave .....	1	..
21	1378693	Chain Sheave .....	..	1
21	37752	Snap Ring .....	1	1
21	1378699	Ball Bearing .....	1	1
22	304526	Snap Ring .....	2	2
23	302461	Roll Pin .....	2	2
24	1581564	Lockwasher .....	3	3
25	1581590	Capscrew .....	2	2
26	<b>a</b> . . . .	Chain .....	2	2
27	325616	Spacer .....	AR	AR
27	4022999	Spacer (Alternate Part) .....	AR	AR
28	1581566	Nut .....	4	4
28	1581565	Nut (Alternate Part) .....	6	6
29	1550298	Bracket .....	1	1
29	4022998	Bracket (Alternate Part) .....	1	1
30	1581836	Capscrew .....	2	2
31	1581850	Washer .....	1	1
32	<b>a</b> . . . .	Tube Assy .....	1	1
33	1522442	Fitting .....	1	1
33	1527820	O-Ring .....	1	1
33	1527819	O-Ring .....	1	1
34	1345401	Clamp .....	1	1
34	4022906	Clamp (Alternate Part) .....	1	1
35	1581556	Washer .....	2	2
35	1673754	Washer (Alternate Part) .....	4	4
36	1581581	Capscrew .....	2	2
36	4022940	Capscrew (Alternate Part) .....	2	2
37	1343989	Hose Sheave .....	1	1
37	1354901	Bushing .....	1	1
38	1360534	Stubshaft .....	1	1
39	1581829	Capscrew .....	1	1
40	131358	Snap Ring .....	1	1

**FOOTNOTES:**

**a** Refer to Table

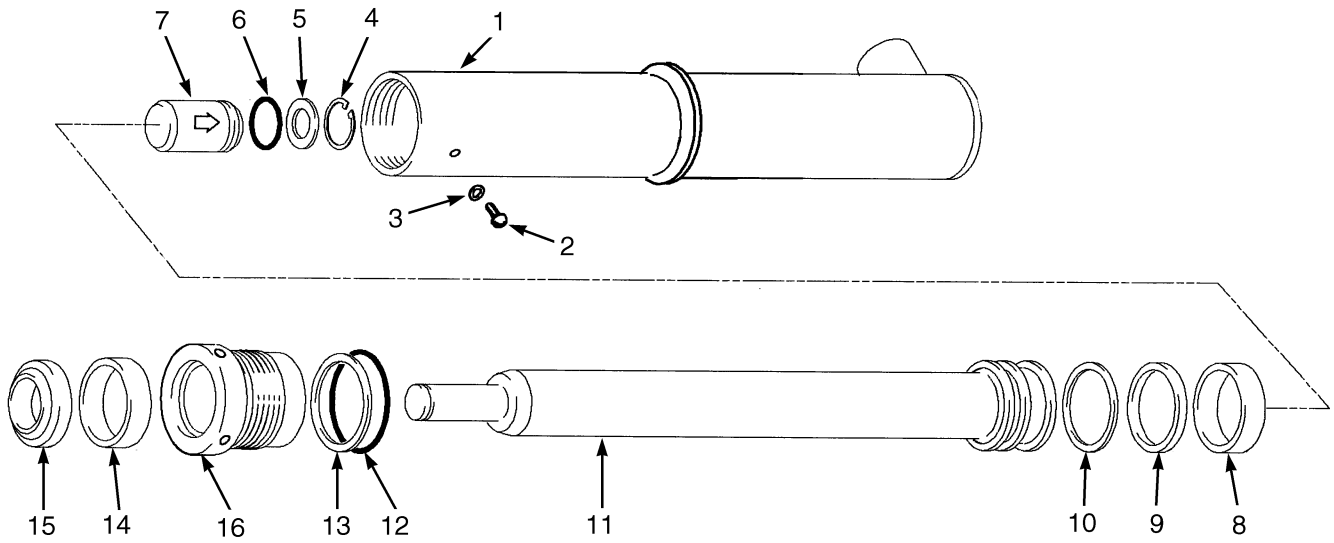
**c** PENDING PER ECN 106506 →

**b** → PENDING PER ECN 106506





**FREE-LIFT CYLINDERS (FIGURE 8-7)  
THREE STAGE FULL FREE-LIFT**



BP170103

**FREE-LIFT CYLINDERS  
THREE STAGE FULL FREE-LIFT**

**J2.2-2.5XN**

ITEM	DESCRIPTION 1 2 3 4	LIFT HEIGHT TO BOTTOM OF FORKS			
		4910 mm (193.3 in.)	5210 mm (205.1 in.)	5510 mm (216.9 in.)	5960 mm (234.6 in.)
		Mast Group Number	D508 4910	D508 5210	D508 5510
	Cylinder Group Number	8514560	8514563	8514565	8514568
	Cylinder Assy	2053797	2058123	2053799	2058126
1	Tube Wldmt- Cylinder	2058214	2058217	2058219	2058222
11	Cylinder Rod	1356572	1356581	1371631	1356596

**J3.0-3.5XN**

ITEM	DESCRIPTION 1 2 3 4	LIFT HEIGHT TO BOTTOM OF FORKS			
		4568 mm (179.8 in.)	4868 mm (191.7 in.)	5168 mm (203.5 in.)	5768 mm (227.1 in.)
		Mast Group Number	D563 4568	D563 4868	D563 5168
	Cylinder Group Number	8518711	8518714	8518716	8518721
	Cylinder Assy	2058328	2058331	2058333	2058338
1	Tube Wldmt- Cylinder	2063691	2064046	2064754	2064753
11	Cylinder Rod	1356694	1356068	1356074	1356089

**KEY:**

**A: J2.2-2.5XN**

**B: J3.0-3.5XN**

ITEM	PART NO.	DESCRIPTION	QTY	
			A	B
	<b>a</b> . . . . .	Cylinder Assy .....	1	1
1	<b>a</b> . . . . .	Tube Wldmt-Cylinder .....	1	1
2	1361302	Screw .....	1	1
3	190887	Sealing Ring .....	1	1
4	187388	Snap Ring .....	1	1
5	297531	Washer .....	1	1
6	190580	O-Ring .....	1	1
7	257913	Check Valve .....	1	1
7	297538	Check Valve (Alternate Part) .....	1	1
8	1358972	Wear Ring .....	1	..
8	636941	Wear Ring .....	..	1
9	2013088	Rod Seal .....	1	..
9	309062	Rod Seal .....	..	1

## FREE-LIFT CYLINDERS THREE STAGE FULL FREE-LIFT

**KEY:**

**A: J2.2-2.5XN**

**B: J3.0-3.5XN**

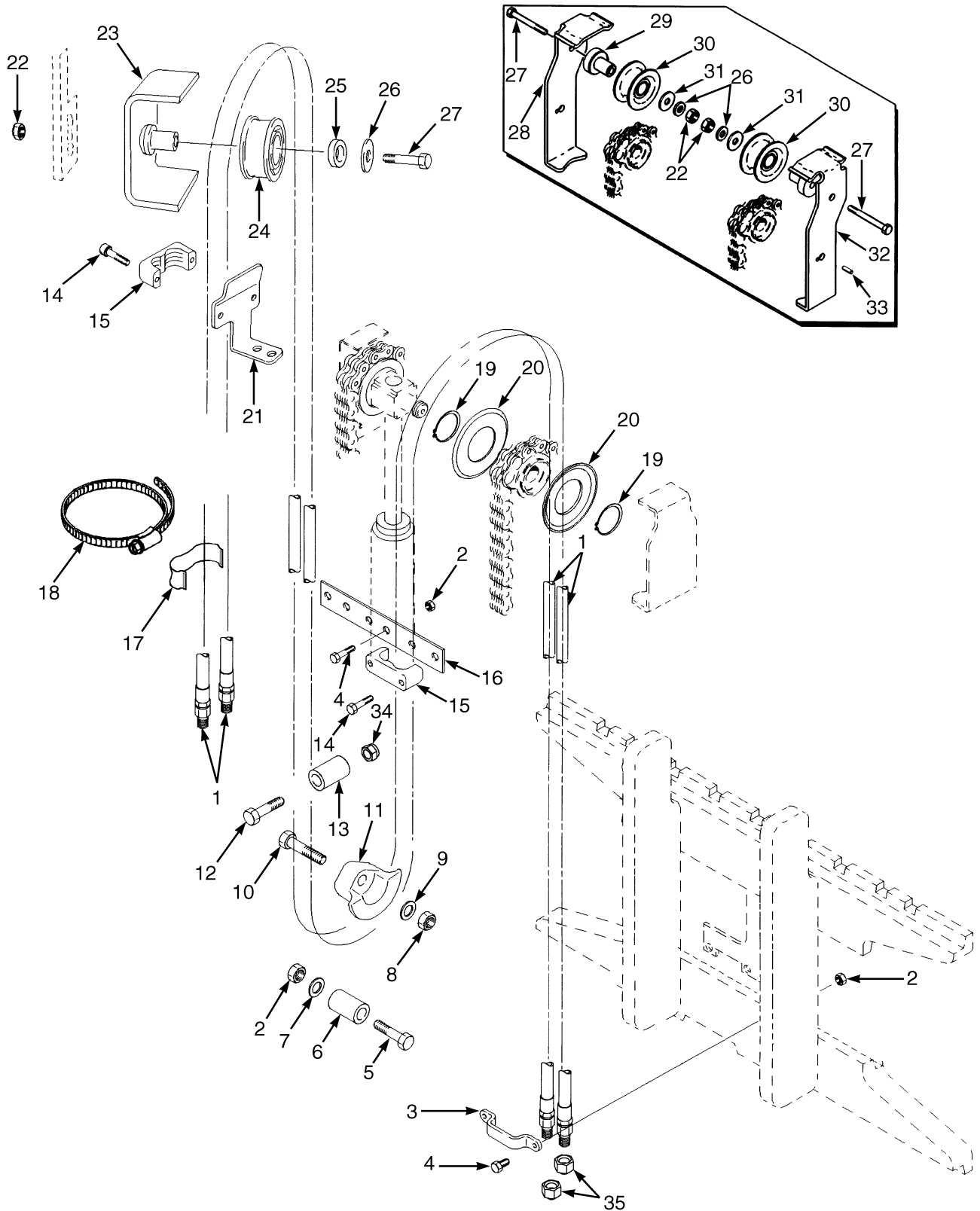
ITEM	PART NO.	DESCRIPTION	QTY	
			A	B
10	2013089	Back-Up Ring .....	1	..
10	637565	Back-Up Ring .....	..	1
11	<b>a</b> . . . . .	Cylinder Rod .....	1	1
12	90263	O-Ring .....	1	..
12	15880	O-Ring .....	..	1
13	147973	Back-Up Ring .....	1	..
13	164840	Back-Up Ring .....	..	1
14	1358970	Rod Seal .....	1	1
14	1622946	Rod Seal (Alternate Part) .....	1	1
15	2013099	Rod Wiper .....	1	1
15	1463105	Rod Wiper (Alternate Part) .....	1	1
16	1356292	Gland .....	1	..
16	1356661	Gland .....	..	1
	1358969	Kit-Seal .....	1	..
	1356662	Kit-Seal .....	..	1

**FOOTNOTES:**

**a** Refer to Table



## HEADER HOSES (FIGURE 8-8) THREE STAGE FULL FREE-LIFT (→ S/N D508B24531J) (→ S/N D563B20447J)



BP170437

**HEADER HOSES**  
**THREE STAGE FULL FREE-LIFT (→ S/N D508B24531J) (→ S/N D563B20447J)**

**J2.2-2.5XN**

ITEM	DESCRIPTION 1 2 3 4	LIFT HEIGHT TO BOTTOM OF FORKS				
		4910 mm (193.3 in.)	5210 mm (205.1 in.)	5510 mm (216.9 in.)	5960 mm (234.6 in.)	6110 mm (240.6 in.)
		Mast Group Number	D508 4910	D508 5210	D508 5510	D508 5960
1	Hose Assy	2065125	2065162	2065164	2065167	2065168

**J3.0-3.5XN**

ITEM	DESCRIPTION 1 2 3 4	LIFT HEIGHT TO BOTTOM OF FORKS				
		4568 mm (179.8 in.)	4868 mm (191.7 in.)	5168 mm (203.5 in.)	5618 mm (221.2 in.)	5768 mm (227.1 in.)
		Mast Group Number	D563 4568	D563 4868	D563 5168	D563 5618
1	Hose Assy	2065125	2065162	2065164	2065167	2065168

**KEY:**

**A:** Three Function

**B:** Four Function

ITEM	PART NO.	DESCRIPTION	QTY	
			A	B
1	a . . . . .	Hose Assy .....	2	4
2	1581566	Nut .....	5	10
3	1643405	Hose Clamp .....	1	2
4	1581581	Capscrew .....	4	6
5	1581835	Capscrew .....	1	2
6	1354961	Spacer .....	1	2
7	1581851	Washer .....	1	2
8	1581567	Nut .....	1	2
9	1581558	Washer .....	1	2
10	1581588	Capscrew .....	1	2
11	1348246	Hose Guide (RH) .....	1	1
11	1348247	Hose Guide (LH) .....	..	1
12	1581831	Capscrew .....	1	2
13	1360538	Tube Assy .....	1	2
14	1581842	Capscrew .....	4	8
15	1360386	Clamp (Double Hose) .....	1	2
16	1353464	Plate .....	1	1
17	1477996	Hose Clamp .....	2	4
18	1617657	Clamp .....	2	4
19	1345204	Snap Ring (Spiral Retaining Ring) .....	2	4
20	1345199	Hose Guide .....	2	4
21	1354906	Bracket (RH) .....	1	1
21	1354907	Bracket (LH) .....	..	1
22	1390182	Nut .....	2	4
23	1362387	Stubshaft .....	1	2
24	1494017	Hose Sheave .....	2	4

## HEADER HOSES

THREE STAGE FULL FREE-LIFT (→ S/N D508B24531J) (→ S/N D563B20447J)

**KEY:**

**A:** Three Function

**B:** Four Function

ITEM	PART NO.	DESCRIPTION	QTY	
			A	B
25	1360549	Spacer .....	1	2
26	1345190	Washer .....	2	4
27	1581830	Capscrew .....	2	4
28	1395291	Bracket (RH) .....	1	1
29	1396406	Stubshaft .....	1	2
30	1494017	Hose Sheave .....	1	2
31	1581560	Washer .....	1	2
32	1395292	Bracket (LH) .....	..	1
33	302461	Roll Pin .....	1	2
34	1581849	Nut .....	2	4
35	1529015	Cap .....	2	4
	1566564	Cap (Not Illustrated) .....	1	1

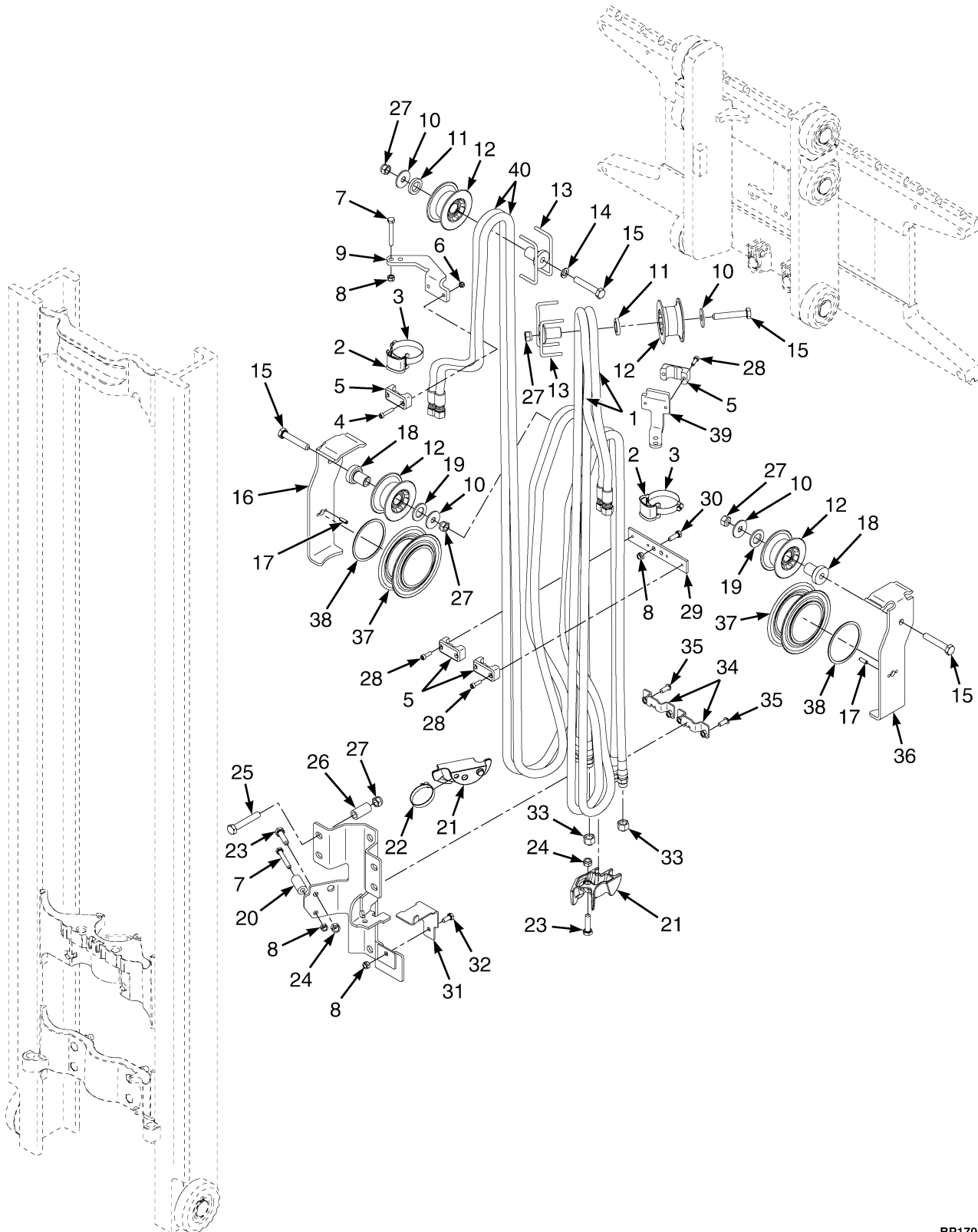
**FOOTNOTES:**

**a** Refer to Table





## HEADER HOSES (FIGURE 8-9) THREE STAGE FULL FREE-LIFT (S/N D508B2453J →) (S/N D563B20448J →)



BP170529

**HEADER HOSES**  
**THREE STAGE FULL FREE-LIFT (S/N D508B24532J →) (S/N D563B20448J →)**

**D508**

ITEM	DESCRIPTION 1 2 3 4	LIFT HEIGHT TO BOTTOM OF FORKS			
		4910 mm (193.3 in.)	5210 mm (205.1 in.)	5510 mm (216.9 in.)	5960 mm (234.6 in.)
		Mast Group Number D508 4910	D508 5210	D508 5510	D508 5960
1	Hose Assy	4608525	4608527	4608529	4608532
40	Hose Assy	4608560	4608562	4608564	4608567

**D563**

ITEM	DESCRIPTION 1 2 3 4	LIFT HEIGHT TO BOTTOM OF FORKS			
		4568 mm (179.8 in.)	4868 mm (191.7 in.)	5168 mm (203.5 in.)	5768 mm (227.1 in.)
		Mast Group Number D563 4568	D563 4868	D563 5168	D563 5768
1	Hose Assy	4608525	4608527	4608529	4608533
40	Hose Assy	4608560	4608562	4608564	4608568

**KEY:**

**A: Three Function**

**B: Four Function**

ITEM	PART NO.	DESCRIPTION	QTY	
			A	B
1	<b>b</b> . . . . .	Hose Assy .....	2	2
2	1477996	Hose Clamp (D508 4910-5510 mm) (D563 4568-5168 mm) .....	2	4
2	1477996	Hose Clamp (D508 5960 mm) (D563 5768 mm) .....	3	6
3	1617657	Clamp (D508 4910-5510 mm) (D563 4568-5168 mm) .....	2	4
3	1617657	Clamp (D508 5960 mm) (D563 5768 mm) .....	3	6
4	1581742	Capscrew .....	..	2
5	1360386	Clamp (Double Hose) .....	2	4
6	1581565	Nut .....	..	2
7	1581836	Capscrew .....	..	3
8	<b>c</b> 1581566	Nut .....	5	10
8	<b>d</b> 1581566	Nut .....	2	4
9	1354921	Bracket .....	..	1
10	1345190	Washer .....	2	4
11	1360549	Spacer .....	1	2
12	1494017	Hose Sheave .....	2	4
13	1362387	Stubshaft .....	1	1
13	1360548	Stubshaft .....	..	1
14	1581564	Lockwasher .....	..	1
15	1581830	Capscrew .....	2	4
16	1395292	Bracket (LH Hose Guard) .....	..	1
17	302461	Roll Pin .....	1	2
18	1396406	Stubshaft .....	1	2
19	1581560	Washer .....	1	2

## HEADER HOSES

THREE STAGE FULL FREE-LIFT (S/N D508B24532J →) (S/N D563B20448J →)

**KEY:**

**A:** Three Function

**B:** Four Function

ITEM	PART NO.	DESCRIPTION	QTY	
			A	B
20	4021618	Spacer .....	1	2
21	4609464			
	4613901	Casting Header Hose Turnaround Guide (RH) .....	1	1
21	4609465	Casting -Header Hose Turnaround Guide (LH) .....	..	1
22	397676	Strap Clamp .....	..	1
23	1658075	Capscrew .....	1	2
24	1581567	Nut .....	1	2
25	1581831	Capscrew .....	1	2
26	1360538	Tube Assy .....	1	2
27	1390182	Nut .....	2	3
28	1581842	Capscrew .....	4	6
29	1353464	Plate .....	1	1
30	<b>d</b> 1581581	Capscrew .....	2	2
31	<b>c</b> 4019607			
	4034686	Bracket .....	1	1
32	1581580	Capscrew .....	1	1
33	1529015	Cap .....	2	4
34	<b>c</b> 1643405	Hose Clamp .....	1	2
34	<b>d</b> 4008020	Clamp .....	1	2
35	<b>c</b> 1581581	Capscrew .....	4	6
35	<b>d</b> 1597448	Capscrew .....	2	4
36	1395291	Bracket (RH Hose Guard) .....	1	1
37	1345199	Hose Guide .....	2	4
38	1345204	Snap Ring (Spiral Retaining Ring) .....	2	4
39	1354906	Bracket .....	1	1
40	<b>b</b> . . . .	Hose Assy .....	..	2
	<b>a</b> 1566564	Cap .....	1	2

**FOOTNOTES:**

**a** Not Illustrated

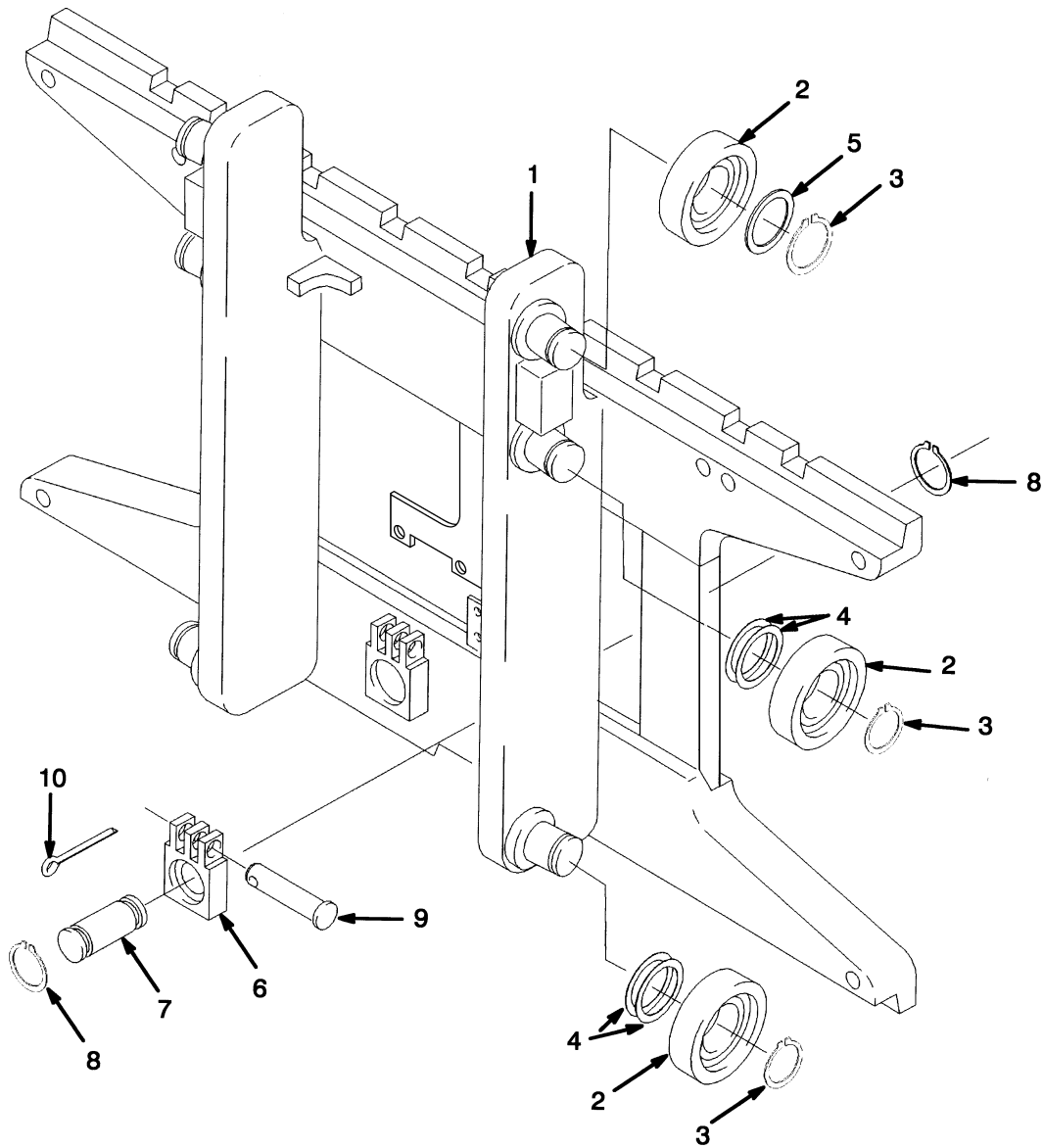
**b** Refer to Table

**c** → PENDING PER ECN 10610809

**d** PENDING PER ECN 10610809 →



## CARRIAGE (FIGURE 8-10) THREE STAGE FULL FREE-LIFT



HP170506

**CARRIAGE  
THREE STAGE FULL FREE-LIFT****KEY:****A: J2.2-2.5XN****B: J3.0-3.5XN**

ITEM	PART NO.	DESCRIPTION	QTY	
			A	B
	2078484	Carriage .....	..	1
	2078481	Carriage .....	1	..
1	1601840	Carriage Wldmt .....	..	1
1	1345216	Stubshaft .....	..	6
1	1600285	Carriage Wldmt .....	1	..
1	1345216	Stubshaft .....	6	..
2	1333399	Load Roller ("B") (92.18 mm/91.92 mm) .....	6	6
3	58901	Snap Ring .....	6	6
4	129387	Shim (0.508 mm) .....	AR	AR
5	366115	Spacer .....	2	2
6	1369345	Chain Anchor (Dual Hole) .....	2	..
6	1504010	Chain Anchor (Single Hole) .....	2	..
6	1369344	Chain Anchor (Dual Hole) .....	..	2
6	1504012	Chain Anchor (Single Hole) .....	..	2
7	317735	Pin .....	2	2
8	131358	Snap Ring .....	4	4
9	1514866	Pin (Chain Anchor) .....	2	2
10	15211	Cotter Pin .....	2	2





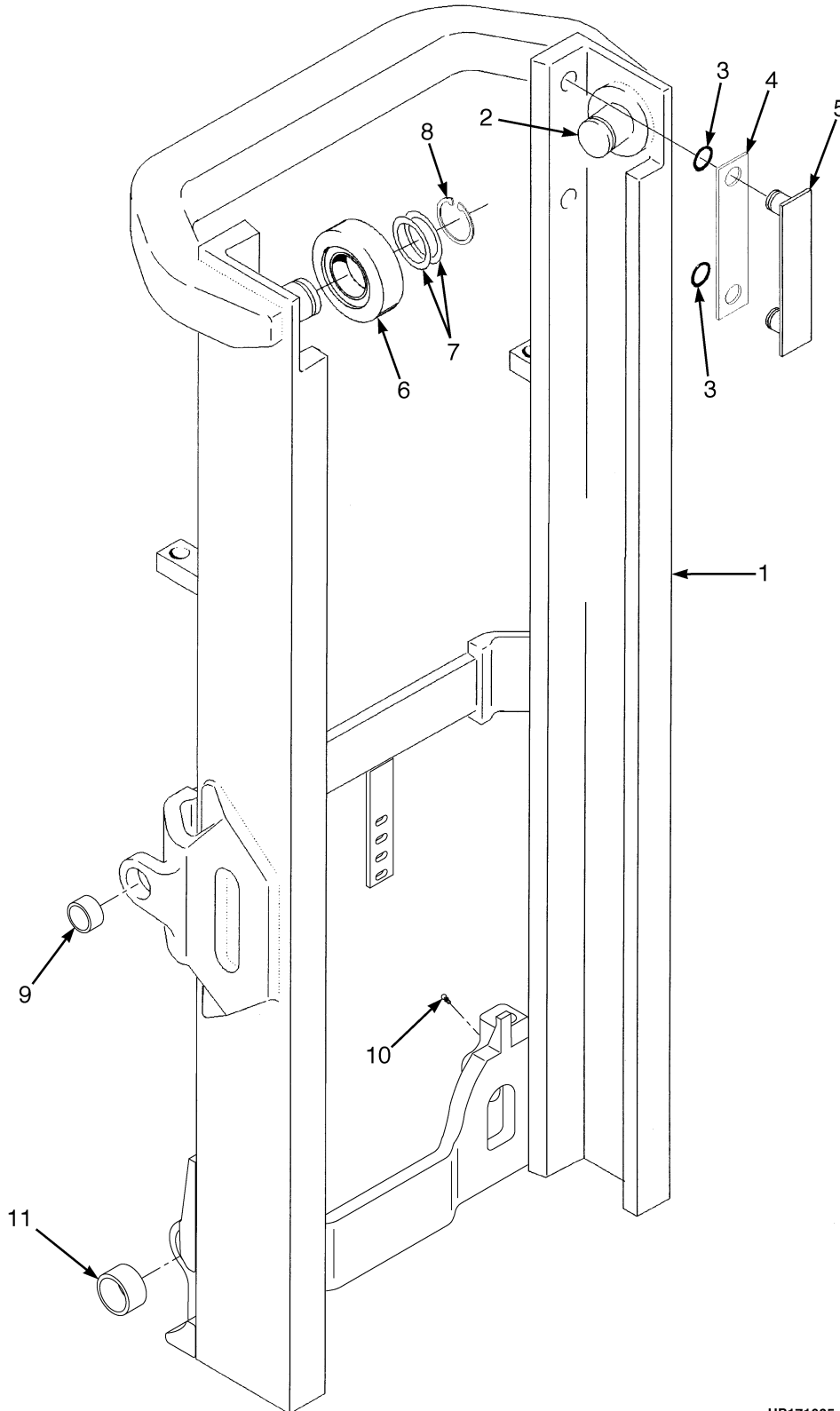




## SECTION 9 MAST-TWO STAGE FULL FREE-LIFT

DESCRIPTION	PAGE
CARRIAGE	
TWO STAGE FULL FREE-LIFT .....	9-20
FREE-LIFT	
TWO STAGE FULL FREE-LIFT .....	9-12
FREE-LIFT CYLINDERS	
TWO STAGE FULL FREE-LIFT .....	9-16
HEADER HOSES	
TWO STAGE FULL FREE-LIFT .....	9-22
INNER MAST	
TWO STAGE FULL FREE-LIFT .....	9-4
MAIN LIFT	
TWO STAGE FULL FREE-LIFT .....	9-6
MAIN LIFT CYLINDER	
LEFT HAND - TWO STAGE FULL FREE-LIFT .....	9-10
RIGHT HAND - TWO STAGE FULL FREE-LIFT .....	9-8
OUTER MAST	
TWO STAGE FULL FREE-LIFT .....	9-2

## OUTER MAST (FIGURE 9-1) TWO STAGE FULL FREE-LIFT



HP171065

**OUTER MAST  
TWO STAGE FULL FREE-LIFT**

**J2.0-2.5XN**

ITEM	DESCRIPTION 1 2 3 4	LIFT HEIGHT TO BOTTOM OF FORKS			
		3362 mm (132.4 in.)	3562 mm (140.2 in.)	3762 mm (148.1 in.)	4382 mm (172.5 in.)
		Mast Group Number	D509 3362	D509 3562	D509 3762
	Mast Assy	2065582	2065586	2065590	2065600
1	Outer Mast	1524756	1524758	1524760	1524766

**J3.0-3.5XN**

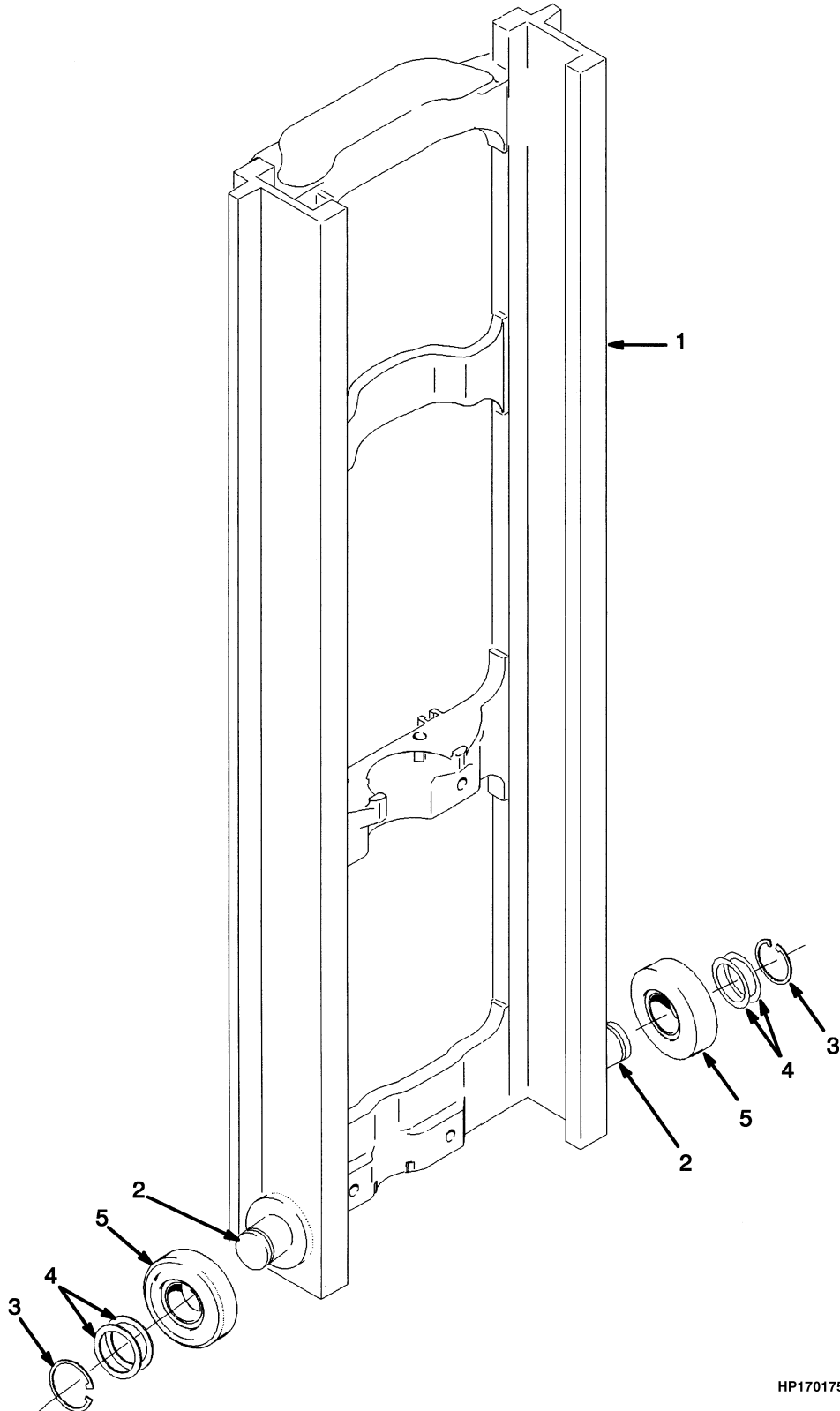
ITEM	DESCRIPTION 1 2 3 4	LIFT HEIGHT TO BOTTOM OF FORKS			
		3160 mm (124.4 in.)	3360 mm (132.3 in.)	3860 mm (152.0 in.)	4360 mm (171.7 in.)
		Mast Group Number	D564 3160	D564 3360	D564 3860
	Mast Assy	2065525	2065529	2065536	2065545
1	Outer Mast	1524756	1524758	1524763	1524768

ITEM	PART NO.	DESCRIPTION	QTY
	<b>a</b> . . . . .	Mast Assy .....	1
1	<b>a</b> . . . . .	Outer Mast .....	1
2	1345216	Stubshaft .....	2
3	104506	O-Ring .....	4
4	131716	Shim (0.508 mm) .....	4
5	215211	Wear Strip .....	2
6	1333396	Load Roller ("B") (111.48/111.22) .....	2
7	129387	Shim (0.508 mm) .....	AR
8	58901	Snap Ring .....	2
9	300982	Bushing .....	2
10	16001	Grease Fitting .....	2
11	1502811	Bushing .....	2

**FOOTNOTES:**

**a** Refer to Table

## INNER MAST (FIGURE 9-2) TWO STAGE FULL FREE-LIFT



HP170175

**INNER MAST  
TWO STAGE FULL FREE-LIFT**

**J2.0-2.5XN**

ITEM	DESCRIPTION 1 2 3 4	LIFT HEIGHT TO BOTTOM OF FORKS			
		3362 mm (132.4 in.)	3562 mm (140.2 in.)	3762 mm (148.1 in.)	4382 mm (172.5 in.)
		Mast Group Number	D509 3362	D509 3562	D509 3762
	Mast Assy	2065582	2065586	2065590	2065600
1	Inner Mast	1342478	1342480	1342482	1342487

**J3.0-3.5XN**

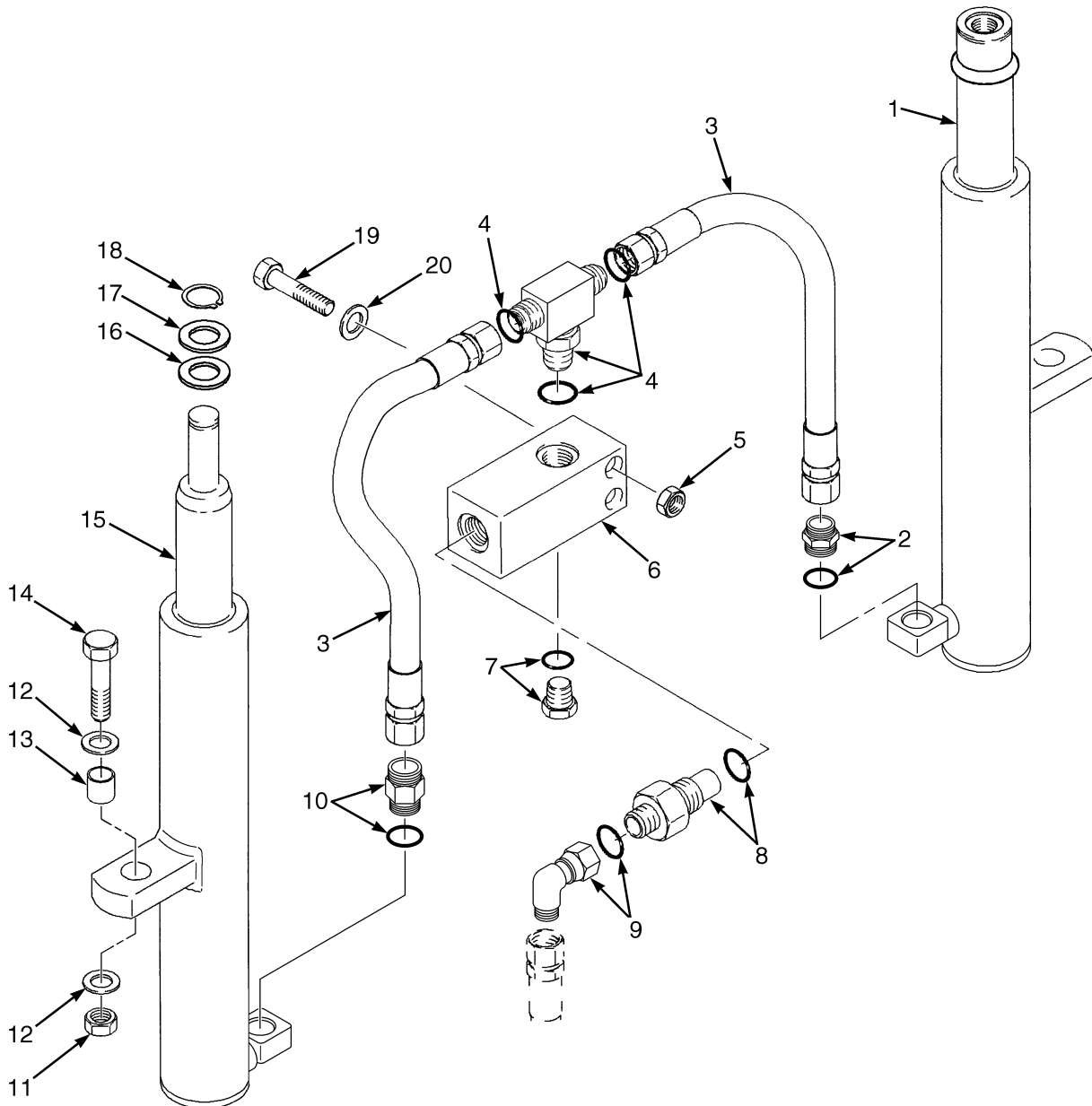
ITEM	DESCRIPTION 1 2 3 4	LIFT HEIGHT TO BOTTOM OF FORKS			
		3160 mm (124.4 in.)	3360 mm (132.3 in.)	3860 mm (152.0 in.)	4360 mm (171.7 in.)
		Mast Group Number	D564 3160	D564 3360	D564 3860
	Mast Assy	2065525	2065529	2065536	2065545
1	Inner Mast	1342478	1342480	1342484	1342489

ITEM	PART NO.	DESCRIPTION	QTY
	<b>a</b> . . . . .	Mast Assy .....	1
1	<b>a</b> . . . . .	Inner Mast .....	1
2	1345216	Stubshaft .....	2
3	58901	Snap Ring .....	2
4	129387	Shim (0.508 mm) .....	AR
5	1333396	Load Roller ("B") (111.48/111.22) .....	2

**FOOTNOTES:**

**a** Refer to Table

## MAIN LIFT (FIGURE 9-3) TWO STAGE FULL FREE-LIFT



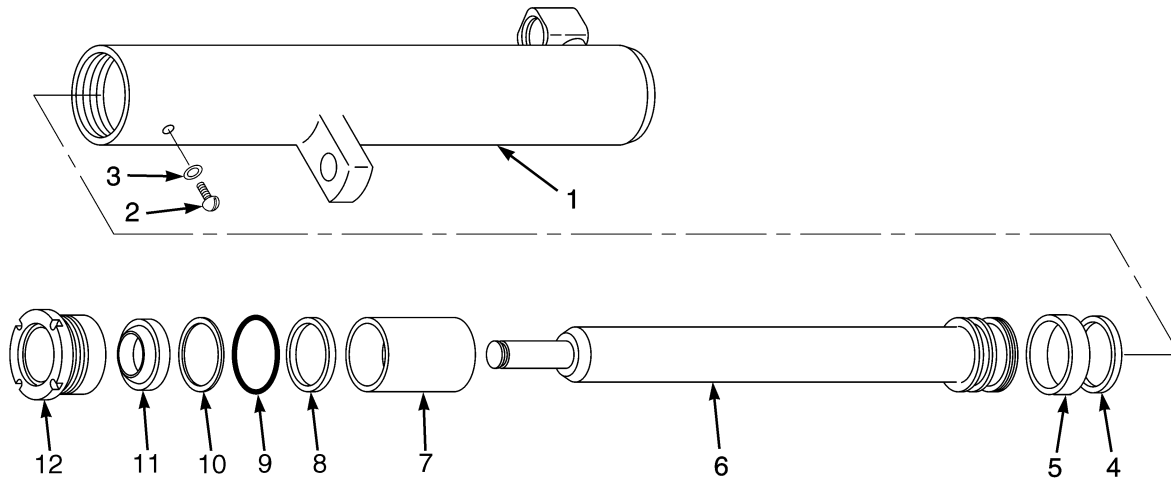
BP170106



**MAIN LIFT  
TWO STAGE FULL FREE-LIFT**

ITEM	PART NO.	DESCRIPTION	QTY
1	.....	Main Lift Cylinder (LH) (☞ Figure 9-5).....	1
2	1486749	Fitting .....	1
2	16485	O-Ring .....	1
2	1527818	O-Ring .....	1
3	1481097	Hose Assy .....	1
4	1532650	Fitting .....	1
4	16485	O-Ring .....	1
4	1527818	O-Ring .....	1
5	1581566	Nut .....	2
6	1379687	Housing (Lowering Control) .....	1
7	14603	Plug .....	1
7	16486	O-Ring .....	1
8	2062652	Lowering Control Valve .....	1
8	16982	O-Ring .....	1
8	1527818	O-Ring .....	1
9	1486773	Fitting .....	1
9	1527822	O-Ring .....	1
10	2062687	Hyd Velocity Fuse .....	1
10	16485	O-Ring .....	1
10	1527818	O-Ring .....	1
11	1581849	Nut .....	2
12	1581852	Washer .....	4
13	323090	Spacer .....	2
14	1581829	Capscrew .....	2
15	.....	Main Lift Cylinder (RH) (☞ Figure 9-4).....	1
16	1354915	Washer (0.254 mm) .....	AR
16	1354916	Washer (0.762 mm) .....	AR
16	1354917	Washer (1.524 mm) .....	AR
17	1333382	Washer (1.500 mm) .....	1
18	131358	Snap Ring .....	1
19	1581835	Capscrew .....	2
20	1581556	Washer .....	2

## MAIN LIFT CYLINDER (FIGURE 9-4) RIGHT HAND — TWO STAGE FULL FREE-LIFT



BP170124

## MAIN LIFT CYLINDER RIGHT HAND — TWO STAGE FULL FREE-LIFT

J2.0-2.5XN

ITEM	DESCRIPTION 1 2 3 4	LIFT HEIGHT TO BOTTOM OF FORKS			
		3362 mm (132.4 in.)	3562 mm (140.2 in.)	3762 mm (148.1 in.)	4382 mm (172.5 in.)
	<b>Mast Group Number</b>	<b>D509 3362</b>	<b>D509 3562</b>	<b>D509 3762</b>	<b>D509 4382</b>
	<b>Cylinder Group Number</b>	<b>8518610</b>	<b>8518612</b>	<b>8518614</b>	<b>8518619</b>
	Cylinder Assy	2058652	2058654	2058656	2058661
1	Tube Wldmt- Cylinder	2058537	2058539	2058541	2058546
6	Cylinder Rod	1358941	1358943	1358945	1358950
7	Spacer	----	----	----	2045872

**MAIN LIFT CYLINDER  
RIGHT HAND – TWO STAGE FULL FREE-LIFT  
J3.0-3.5XN**

ITEM	DESCRIPTION 1 2 3 4	LIFT HEIGHT TO BOTTOM OF FORKS			
		3160 mm (124.4 in.)	3360 mm (132.3 in.)	3860 mm (152.0 in.)	4360 mm (171.7 in.)
	Mast Group Number	D564 3160	D564 3360	D564 3860	D564 4360
	Cylinder Group Number	8518660	8518662	8518666	8518671
	Cylinder Assy	2060423	2060425	2060429	2060434
1	Tube Wldmt- Cylinder	2058537	2058539	2058543	2058548
6	Cylinder Rod	1358941	1358943	1358947	1358952
7	Spacer	2073159	2073159	1356037	1356037

**KEY:**

**A: J2.0-2.5XN**

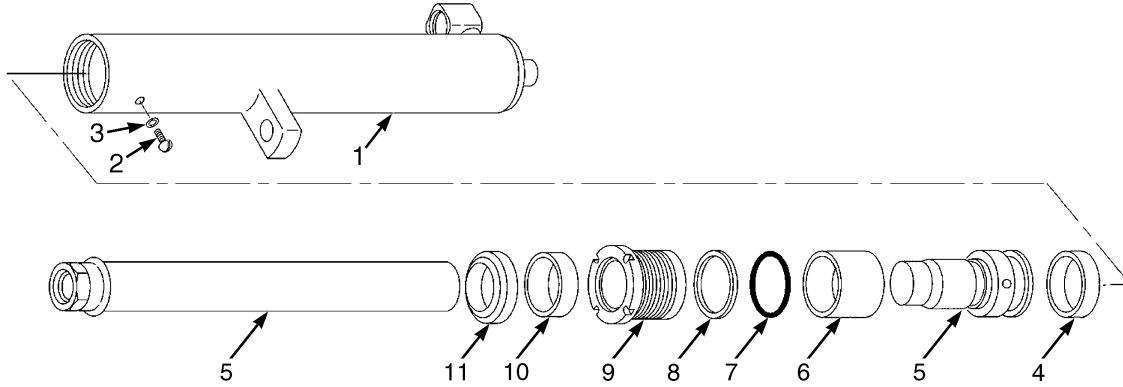
**B: J3.0-3.5XN**

ITEM	PART NO.	DESCRIPTION	QTY	
			A	B
	a . . . . .	Cylinder Assy .....	1	1
1	a . . . . .	Tube Wldmt-Cylinder .....	1	1
2	295649	Screw .....	1	1
3	190887	Sealing Ring .....	1	1
4	1356748	Piston Ring .....	1	1
5	1356747	Wear Ring .....	1	1
6	a . . . . .	Cylinder Rod .....	1	1
7	a . . . . .	Spacer .....	1	1
8	1381095	Rod Seal .....	1	1
9	59229	O-Ring .....	1	1
10	147972	Back-Up Ring .....	1	1
11	1319668	Rod Wiper .....	1	1
12	1355713	Gland .....	1	1
	1496922	Kit-Seal .....	1	1

**FOOTNOTES:**

**a** Refer to Table

## MAIN LIFT CYLINDER (FIGURE 9-5) LEFT HAND — TWO STAGE FULL FREE-LIFT



BP170125

## MAIN LIFT CYLINDER LEFT HAND – TWO STAGE FULL FREE-LIFT

### J2.0-2.5XN

ITEM	DESCRIPTION 1 2 3 4	LIFT HEIGHT TO BOTTOM OF FORKS			
		3362 mm (132.4 in.)	3562 mm (140.2 in.)	3762 mm (148.1 in.)	4382 mm (172.5 in.)
	Mast Group Number	D509 3362	D509 3562	D509 3762	D509 4382
	Cylinder Group Number	8518510	8518512	8518514	8518519
	Cylinder Assy	2058620	2058622	2058624	2058629
1	Tube Wldmt- Cylinder	2058501	2058503	2058505	2058510
5	Cylinder Rod	1355935	1355947	1355959	1355990
6	Spacer	----	----	----	2045872

**MAIN LIFT CYLINDER  
LEFT HAND – TWO STAGE FULL FREE-LIFT  
J3.0-3.5XN**

ITEM	DESCRIPTION 1 2 3 4	LIFT HEIGHT TO BOTTOM OF FORKS			
		3160 mm (124.4 in.)	3360 mm (132.3 in.)	3860 mm (152.0 in.)	4360 mm (171.7 in.)
	Mast Group Number	D564 3160	D564 3360	D564 3860	D564 4360
	Cylinder Group Number	8518560	8518562	8518566	8518571
	Cylinder Assy	2058824	2058826	2058830	2058835
1	Tube Wldmt- Cylinder	2058501	2058503	2058507	2058512
5	Cylinder Rod	1355935	1355947	1355971	1356002
6	Spacer	2073159	2073159	1356037	1356037

**KEY:**

**A: J2.0-2.5XN**

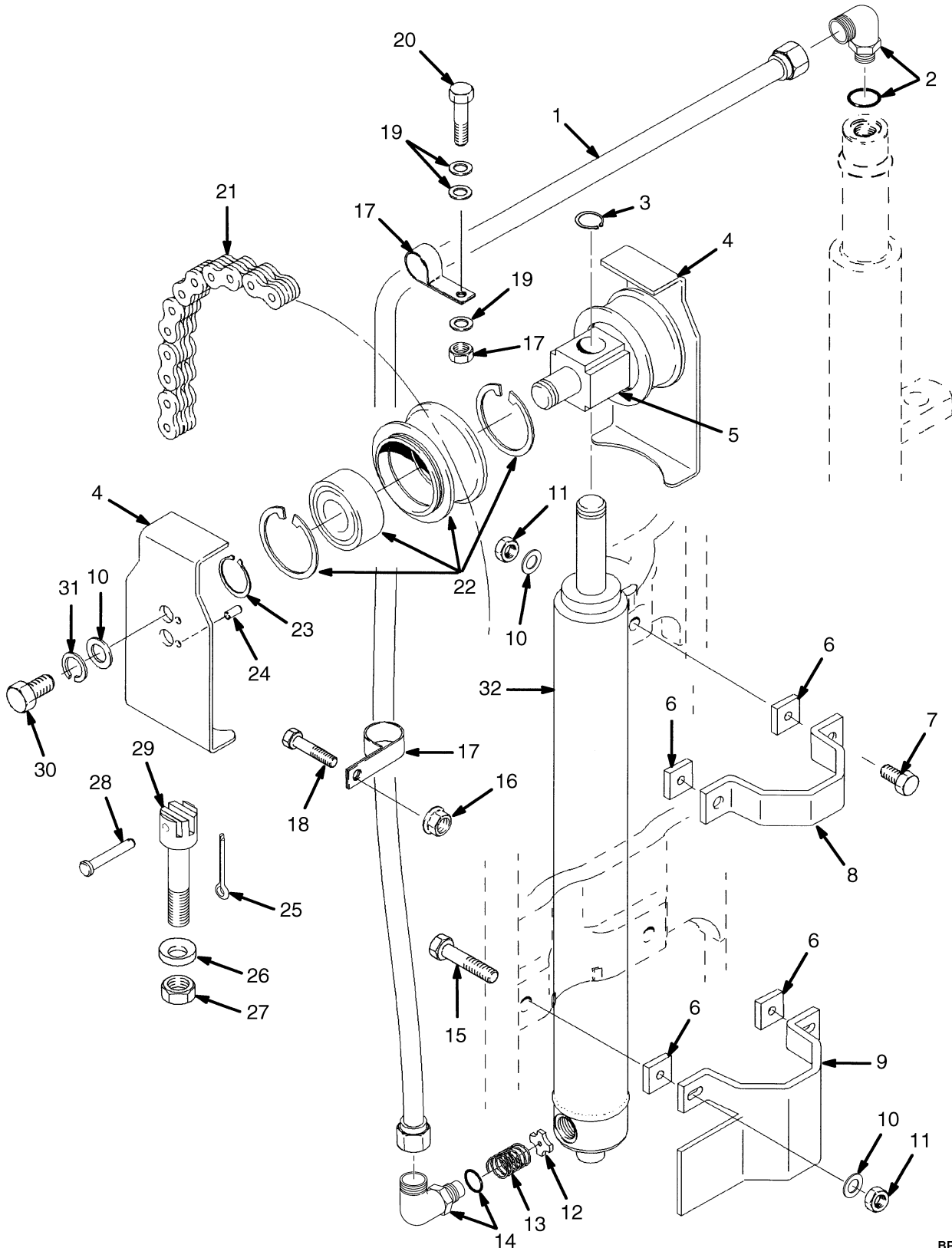
**B: J3.0-3.5XN**

ITEM	PART NO.	DESCRIPTION	QTY	
			A	B
	a . . . . .	Cylinder Assy .....	1	1
1	a . . . . .	Tube Wldmt-Cylinder .....	1	1
2	295649	Screw .....	1	1
3	190887	Sealing Ring .....	1	1
4	1356747	Wear Ring .....	1	1
5	a . . . . .	Cylinder Rod .....	1	1
6	a . . . . .	Spacer .....	1	1
7	59229	O-Ring .....	1	1
8	147972	Back-Up Ring .....	1	1
9	1355713	Gland .....	1	1
10	1381095	Rod Seal .....	1	1
11	1319668	Rod Wiper .....	1	1
	1496922	Kit-Seal .....	1	1

**FOOTNOTES:**

**a** Refer to Table

## FREE-LIFT (FIGURE 9-6) TWO STAGE FULL FREE-LIFT



BP170107

**FREE-LIFT  
TWO STAGE FULL FREE-LIFT**

**J2.0-2.5XN**

ITEM	DESCRIPTION 1 2 3 4	LIFT HEIGHT TO BOTTOM OF FORKS			
		3362 mm (132.4 in.)	3562 mm (140.2 in.)	3762 mm (148.1 in.)	4382 mm (172.5 in.)
		Mast Group Number	D509 3362	D509 3562	D509 3762
1	Tube Assy	1480952	1481745	1481747	1481752
21	Chain	88431	135619	88436	986599

**J3.0-3.5XN**

ITEM	DESCRIPTION 1 2 3 4	LIFT HEIGHT TO BOTTOM OF FORKS			
		3160 mm (124.4 in.)	3360 mm (132.3 in.)	3860 mm (152.0 in.)	4360 mm (171.7 in.)
		Mast Group Number	D564 3160	D564 3360	D564 3860
1	Tube Assy	1480952	1481745	1481749	1481754
21	Chain	1342377	1342116	1342382	1342380

ITEM	PART NO.	DESCRIPTION	QTY
1	a . . . . .	Tube Assy .....	1
2	1481090	Fitting .....	1
2	16485	O-Ring .....	1
2	1527820	O-Ring .....	1
3	131358	Snap Ring .....	1
4	1395285	Chain Guard .....	2
5	1378690	Crosshead .....	1
6	1354902	Spacer .....	4
7	1581828	Capscrew .....	2
8	1465504	Tie Down .....	1
9	1354967	Bracket Wldmt .....	1
10	1581559	Washer .....	6
11	1581849	Nut .....	4
12	356505	Washer (Special) .....	1
13	154355	Spring .....	1
14	1481096	Fitting .....	1
14	16485	O-Ring .....	1
15	1581832	Capscrew .....	2
16	1581567	Nut .....	2
17	178119	Clamp .....	2
18	1581587	Capscrew .....	1
19	1581557	Washer .....	3
20	1581841	Capscrew .....	1
21	a . . . . .	Chain .....	1
22	1379683	Chain Sheave Assembly .....	2
22	1378693	Chain Sheave .....	1
22	37752	Snap Ring .....	2

**FREE-LIFT  
TWO STAGE FULL FREE-LIFT**

ITEM	PART NO.	DESCRIPTION	QTY
22	1378699	Ball Bearing .....	1
23	304526	Snap Ring .....	2
24	302461	Roll Pin .....	2
25	15211	Cotter Pin .....	2
26	297649	Ring .....	2
27	161003	Nut .....	2
28	1514866	Pin .....	2
29	1369356	Chain Anchor .....	2
30	1581590	Capscrew .....	2
31	1581564	Lockwasher .....	2
32	.....	Free-Lift Cylinder (☞ Figure 9-7).....	1

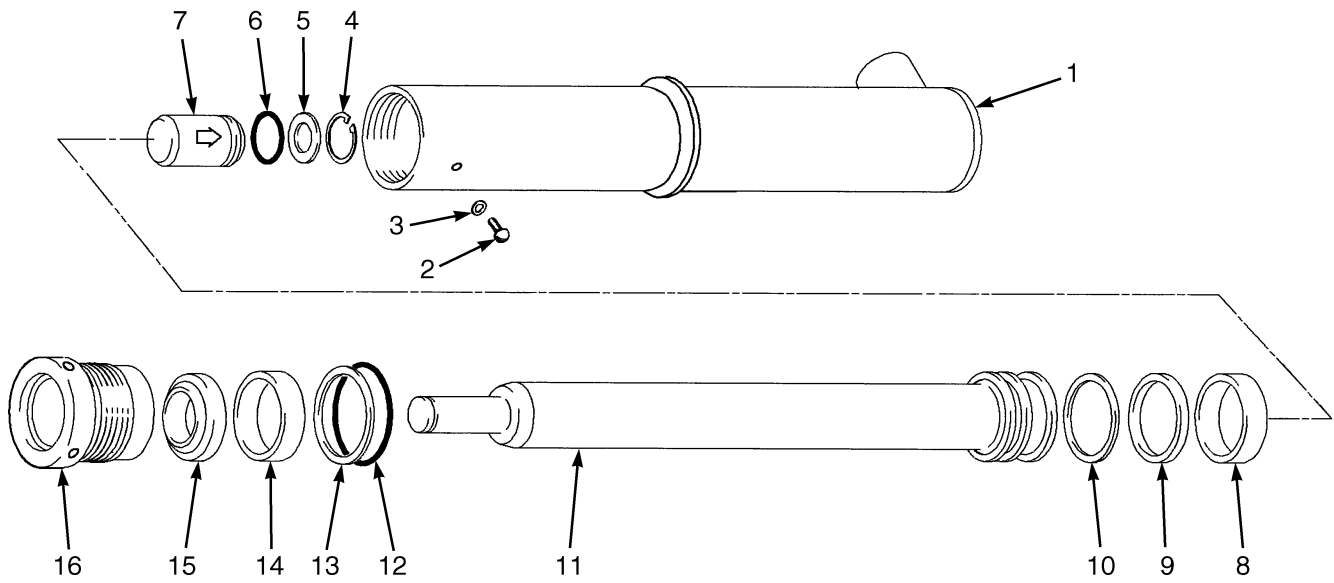
**FOOTNOTES:**

- a Refer to Table





**FREE-LIFT CYLINDERS (FIGURE 9-7)  
TWO STAGE FULL FREE-LIFT**



BP170110

**FREE-LIFT CYLINDERS  
TWO STAGE FULL FREE-LIFT**

**J2.0-2.5XN**

ITEM	DESCRIPTION 1 2 3 4	LIFT HEIGHT TO BOTTOM OF FORKS			
		3362 mm (132.4 in.)	3562 mm (140.2 in.)	3762 mm (148.1 in.)	4382 mm (172.5 in.)
		Mast Group Number	D509 3362	D509 3562	D509 3762
	Cylinder Group Number	8514560	8514562	8514564	8514570
	Cylinder Assy	2053797	2053798	2058124	2058127
1	Tube Wldmt- Cylinder	2058214	2058216	2058218	2058224
11	Cylinder Rod	1356572	1356578	1356584	1356602

**J3.0-3.5XN**

ITEM	DESCRIPTION 1 2 3 4	LIFT HEIGHT TO BOTTOM OF FORKS			
		3160 mm (124.4 in.)	3360 mm (132.3 in.)	3860 mm (152.0 in.)	4360 mm (171.7 in.)
		Mast Group Number	D564 3160	D564 3360	D564 3860
	Cylinder Group Number	8518710	8518712	8518718	8518723
	Cylinder Assy	2058327	2058329	2058335	2058340
1	Tube Wldmt- Cylinder	2058253	2063645	2058256	2058260
11	Cylinder Rod	1356691	1356062	1356080	1356095

**KEY:**

**A: J2.0-2.5XN**

**B: J3.0-3.5XN**

ITEM	PART NO.	DESCRIPTION	QTY	
			A	B
	<b>a</b> . . . . .	Cylinder Assy .....	1	1
1	<b>a</b> . . . . .	Tube Wldmt-Cylinder .....	1	1
2	1361302	Screw .....	1	1
3	190887	Sealing Ring .....	1	1
4	187388	Snap Ring .....	1	1
5	297531	Washer .....	1	1
6	190580	O-Ring .....	1	1
7	257913	Check Valve .....	1	1
7	297538	Check Valve (Alternate Part) .....	1	1
8	636941	Wear Ring .....	1	..
8	1358972	Wear Ring .....	..	1
9	2013088	Rod Seal .....	1	..
9	309062	Rod Seal .....	..	1

## FREE-LIFT CYLINDERS TWO STAGE FULL FREE-LIFT

**KEY:**

**A:** J2.0-2.5XN

**B:** J3.0-3.5XN

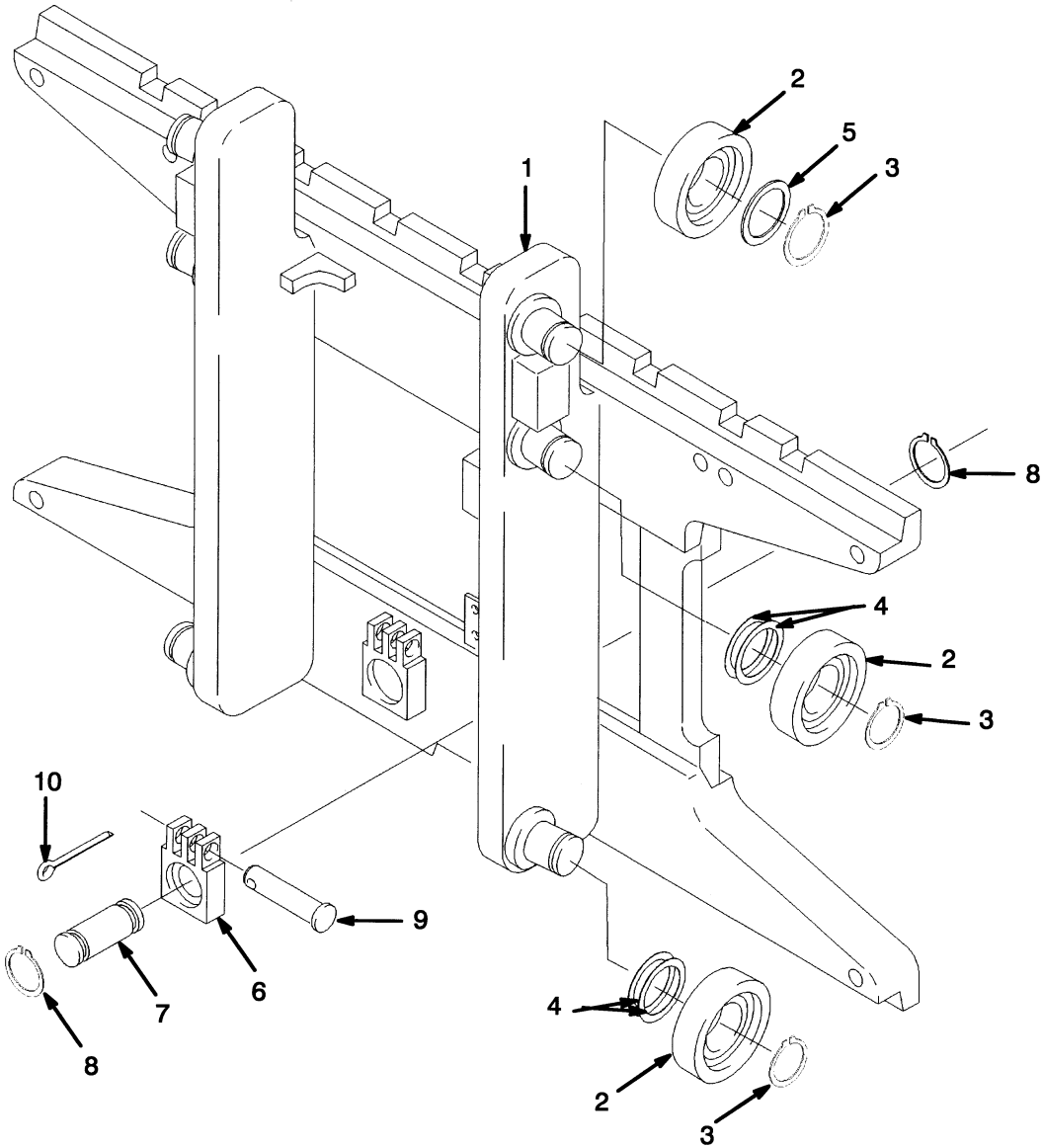
ITEM	PART NO.	DESCRIPTION	QTY	
			A	B
10	2013089	Back-Up Ring .....	1	..
10	637565	Back-Up Ring .....	..	1
11	<b>a</b> . . . . .	Cylinder Rod .....	1	1
12	90263	O-Ring .....	1	..
12	15880	O-Ring .....	..	1
13	147973	Back-Up Ring .....	1	..
13	164840	Back-Up Ring .....	..	1
14	1358970	Rod Seal .....	1	1
14	1622946	Rod Seal (Alternate Part) .....	1	1
15	2013099	Rod Wiper .....	1	1
15	1463105	Rod Wiper (Alternate Part) .....	1	1
16	1356661	Gland .....	..	1
16	1356292	Gland .....	1	..
	1356662	Kit-Seal .....	..	1
17	1358969	Kit-Seal .....	1	..

**FOOTNOTES:**

**a** Refer to Table



## CARRIAGE (FIGURE 9-8) TWO STAGE FULL FREE-LIFT

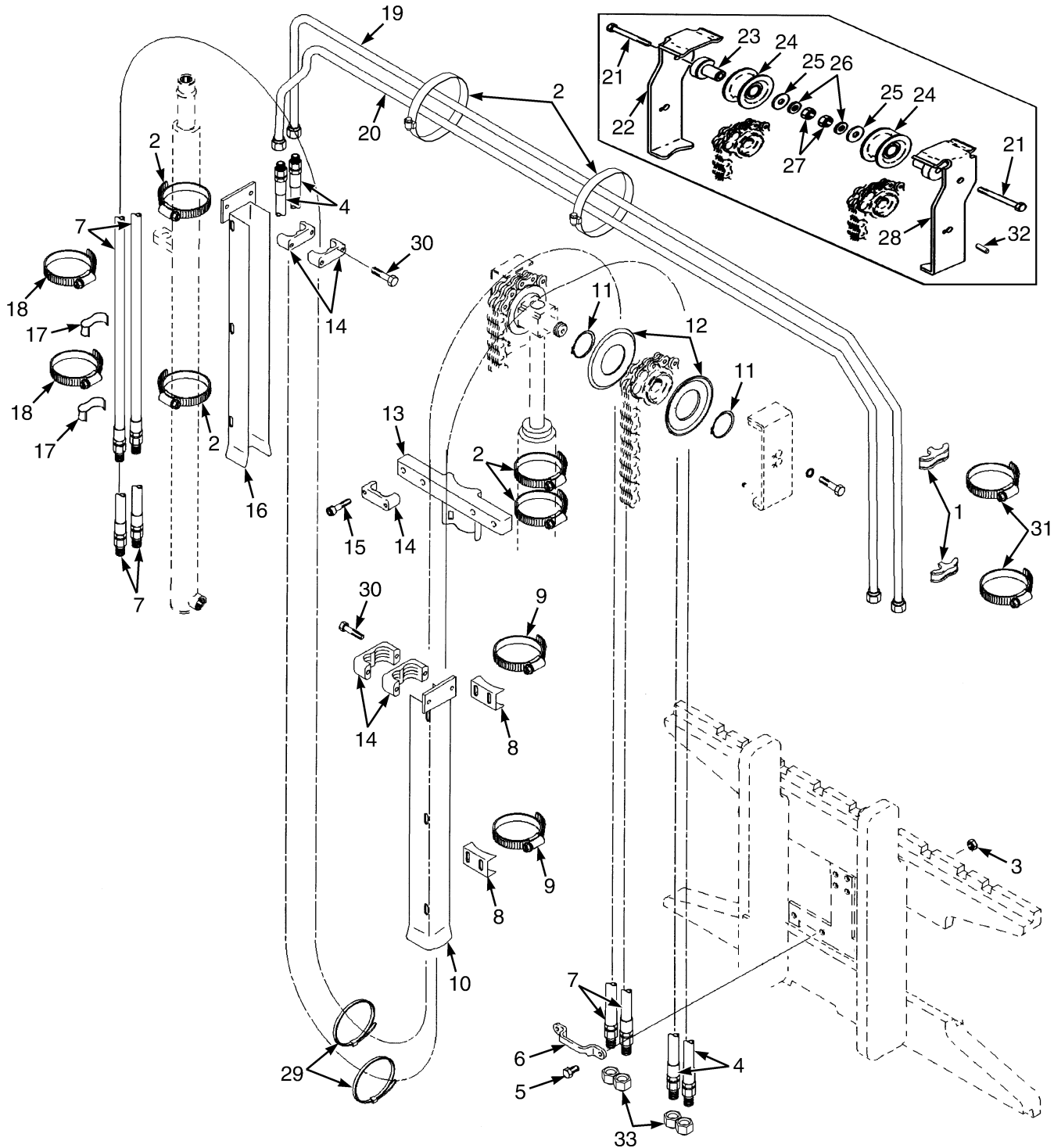


HP170182

**CARRIAGE**  
**TWO STAGE FULL FREE-LIFT****KEY:****A: J2.0-2.5XN****B: J3.0-3.5XN**

ITEM	PART NO.	DESCRIPTION	QTY	
			A	B
	2078494	Carriage .....	1	..
	2078480	Carriage .....	..	1
1	1601881	Carriage Wldmt .....	1	..
1	1345264	Stubshaft .....	6	..
1	1601822	Carriage Wldmt .....	..	1
1	1345264	Stubshaft .....	..	6
2	1345219	Load Roller ("B") (111.48/111.22) .....	6	6
3	12891	Snap Ring .....	6	6
4	1345263	Shim (0.508 mm) .....	AR	AR
5	366116	Spacer .....	2	2
6	1369345	Chain Anchor (Dual Hole) .....	2	..
6	1504010	Chain Anchor (Single Hole) .....	2	..
6	1369344	Chain Anchor (Dual Hole) .....	..	2
6	1504012	Chain Anchor (Single Hole) .....	..	2
7	317735	Pin .....	2	2
8	131358	Snap Ring .....	4	4
9	1514866	Pin .....	2	2
10	15211	Cotter Pin .....	2	2

## HEADER HOSES (FIGURE 9-9) TWO STAGE FULL FREE-LIFT



BP170438



**HEADER HOSES  
TWO STAGE FULL FREE-LIFT**

**J2.0-2.5XN**

ITEM	DESCRIPTION 1 2 3 4	LIFT HEIGHT TO BOTTOM OF FORKS			
		3362 mm (132.4 in.)	3562 mm (140.2 in.)	3762 mm (148.1 in.)	4382 mm (172.5 in.)
		Mast Group Number D509 3362	D509 3562	D509 3762	D509 4382
4	Hose Assy	2065212	2065214	2065215	2065220
7	Hose Assy	2065242	2065244	2065246	2065247
10	Hose Guard	1481232	1481233	1365503	1365510
16	Hose Guard	1365518	1365521	1365523	1365528
19	Tube Assy	2065031	2065033	2065035	2065050
20	Tube Assy	2065002	2065004	2065006	2065011

**J3.0-3.5XN**

ITEM	DESCRIPTION 1 2 3 4	LIFT HEIGHT TO BOTTOM OF FORKS			
		3160 mm (124.4 in.)	3360 mm (132.3 in.)	3860 mm (152.0 in.)	4360 mm (171.7 in.)
		Mast Group Number D564 3160	D564 3360	D564 3860	D564 4360
4	Hose Assy	2065212	2065214	2065217	2065222
7	Hose Assy	2065242	2065244	2065248	2065252
10	Hose Guard	1481232	1481232	1365506	1365511
16	Hose Guard	1365518	1365521	1365525	1365530
19	Tube Assy	2065031	2065033	2065037	2065040
20	Tube Assy	2065002	2065004	2065008	2065013

**KEY:**

**A: Three Function**

**B: Four Function**

ITEM	PART NO.	DESCRIPTION	QTY	
			A	B
1	1606855	Spacer .....	2	2
2	1360507	Clamp .....	6	6
3	<b>b</b> 1581566	Nut .....	2	4
4	<b>a</b> . . . . .	Hose Assy .....	2	2
5	<b>b</b> 1581581	Capscrew .....	2	4
5	<b>c</b> 1597448	Capscrew .....	2	4
6	<b>b</b> 1643405	Hose Clamp .....	1	2
6	<b>c</b> 4008020	Clamp .....	1	2
7	<b>a</b> . . . . .	Hose Assy .....	2	2
8	1345423	Clamp .....	2	2
9	1360508	Clamp .....	2	2
10	<b>a</b> . . . . .	Hose Guard .....	1	1

## HEADER HOSES TWO STAGE FULL FREE-LIFT

**KEY:**  
**A:** Three Function  
**B:** Four Function

ITEM	PART NO.	DESCRIPTION	QTY	
			A	B
11	1345204	Snap Ring (Spiral Retaining Ring) .....	2	4
12	1345199	Hose Guide .....	2	4
13	1354918	Bracket .....	1	1
14	1360386	Clamp (Double Hose) .....	3	6
15	1581741	Capscrew .....	2	4
16	a . . . .	Hose Guard .....	1	1
17	1477996	Hose Clamp .....	..	2
18	1617657	Clamp .....	..	2
19	a . . . .	Tube Assy .....	1	1
20	a . . . .	Tube Assy .....	1	1
21	1581830	Capscrew .....	1	2
22	1395291	Bracket .....	1	1
23	1396406	Stubshaft .....	1	2
24	1494017	Hose Sheave .....	1	2
25	1581560	Washer .....	1	2
26	1345190	Washer .....	1	2
27	1581849	Nut .....	1	2
28	1395292	Bracket .....	..	1
29	137852	Strap Clamp .....	1	2
30	1581842	Capscrew .....	4	..
30	1581843	Capscrew .....	..	4
31	1617658	Clamp .....	2	..
32	302461	Roll Pin .....	1	2
33	1529015	Cap .....	2	4

**FOOTNOTES:**

- a** Refer to Table
- b** → PENDING PER ECN 10610809
- c** PENDING PER ECN 10610809 →

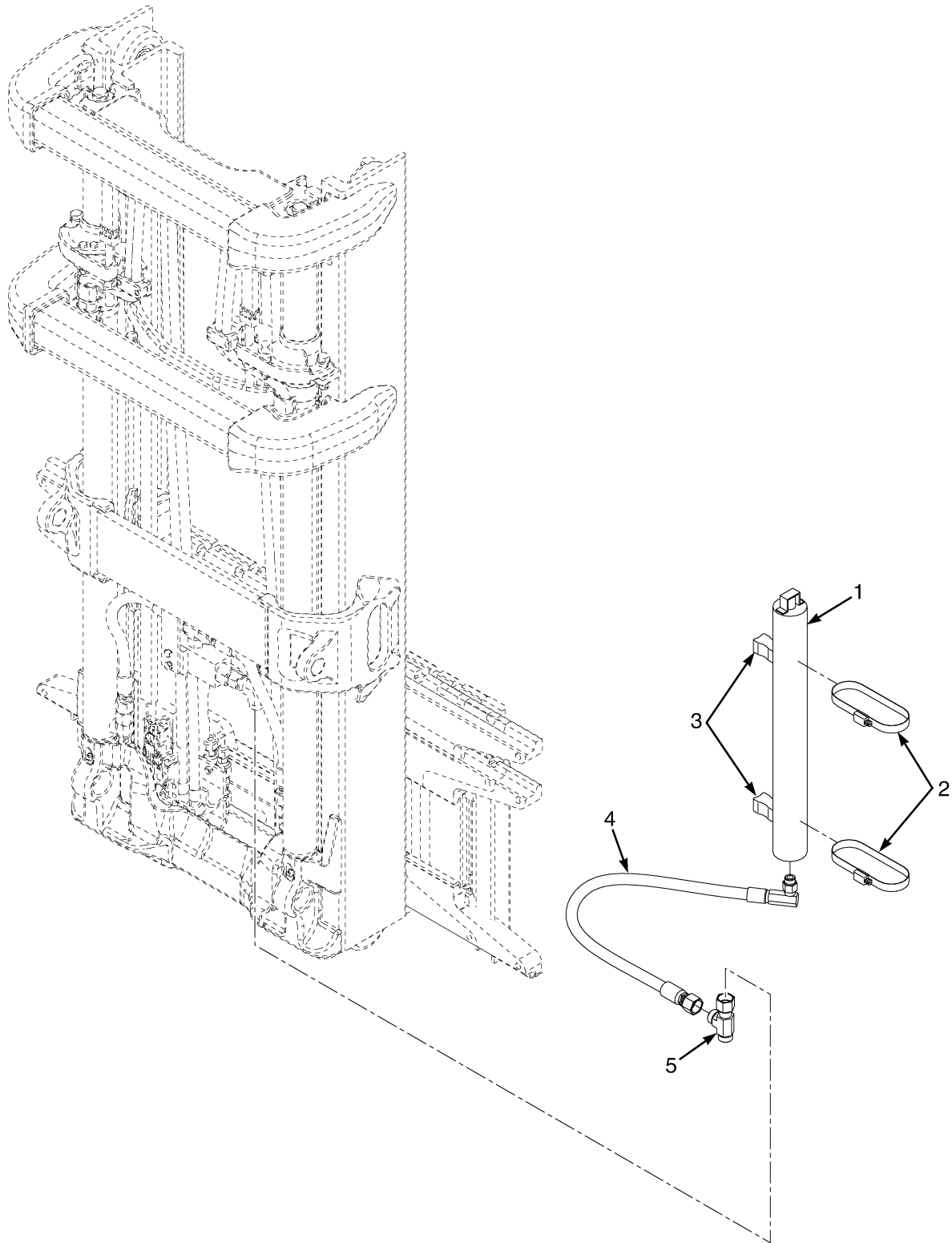




**SECTION 10  
OPTIONS**

<b>DESCRIPTION</b>	<b>PAGE</b>
ACCUMULATOR .....	10-2
AUXILIARY HOSES	
WITH ELECTRO-HYDRAULIC VALVE .....	10-32
WITH MANUAL-HYDRAULIC VALVE .....	10-34
AUXILIARY TUBE EXTENSIONS	
TWO AND THREE STAGE FULL FREE-LIFT (→ S/N D508V27242H) (→ S/N D509V02103H) (→ S/N D563V11350H) (→ S/N D564V02121H) .....	10-50
TWO AND THREE STAGE FULL FREE-LIFT (S/N D508V27243H →) (S/N D509V02104H →) (S/N D563V11351H →) (S/N D564V02122H →) .....	10-52
TWO AND THREE STAGE FULL FREE-LIFT - E-HYDRAULICS WITH QUICK DISCONNECT FITTINGS (S/N D508V27243H →) (S/N D509V02104H →) (S/N D563V11351H →) (S/N D564V02122H →) .....	10-54
TWO STAGE LIMITED FREE-LIFT (→ S/N D507V02972H) (→ S/N D562V02053H) .....	10-36
TWO STAGE LIMITED FREE-LIFT - WITHOUT QUICK DISCONNECT FITTINGS (S/N D507V02973H →) (S/N D562V02054H →) .....	10-38
TWO STAGE LIMITED FREE-LIFT - MANUAL HYDRAULICS WITH QUICK DISCONNECT FITTINGS (S/N D507V02973H →) (S/N D562V02054H →) .....	10-40
TWO STAGE LIMITED FREE-LIFT - E-HYDRAULICS WITH QUICK DISCONNECT FITTINGS (S/N D507V02973H →) (S/N D562V02054H →) .....	10-42
TWO STAGE LIMITED FREE-LIFT - WITH ISS CARRIAGE AND WITHOUT QUICK DISCONNECT FITTINGS (S/N D507V02973H →) (S/N D562V02054H →) .....	10-44
TWO STAGE LIMITED FREE-LIFT - WITH ISS CARRIAGE AND MANUAL HYDRAULICS WITH QUICK DISCONNECT FITTINGS (S/N D507V02973H →) (S/N D562V02054H →) .....	10-46
TWO STAGE LIMITED FREE-LIFT - WITH ISS CARRIAGE AND E-HYDRAULICS WITH QUICK DISCONNECT FITTINGS (S/N D507V02973H →) (S/N D562V02054H →) .....	10-48
DC-DC CONVERTER .....	10-4
DOME LIGHT .....	10-6
IMPACT SENSOR .....	10-8
INTEGRAL SIDE-SHIFT	
FORK POSITIONER - TWO STAGE LIMITED FREE-LIFT .....	10-22
FORK POSITIONER - THREE STAGE FULL FREE-LIFT .....	10-24
FORK POSITIONER - TWO STAGE FULL FREE-LIFT .....	10-26
INTEGRAL SIDE-SHIFT CARRIAGE	
THREE STAGE FULL FREE-LIFT .....	10-18
TWO STAGE FULL FREE-LIFT .....	10-20
TWO STAGE LIMITED FREE-LIFT .....	10-16
INTEGRAL SIDE-SHIFT CYLINDER .....	10-30
INTEGRAL SIDE-SHIFT HYDRAULIC HOSES	
TWO AND THREE STAGE FULL FREE-LIFT .....	10-29
TWO STAGE LIMITED FREE-LIFT .....	10-28
MIRROR (PANORAMIC) .....	10-12
MIRROR (STANDARD) .....	10-10
REAR DRIVE HANDLE .....	10-14

## ACCUMULATOR (FIGURE 10-1)

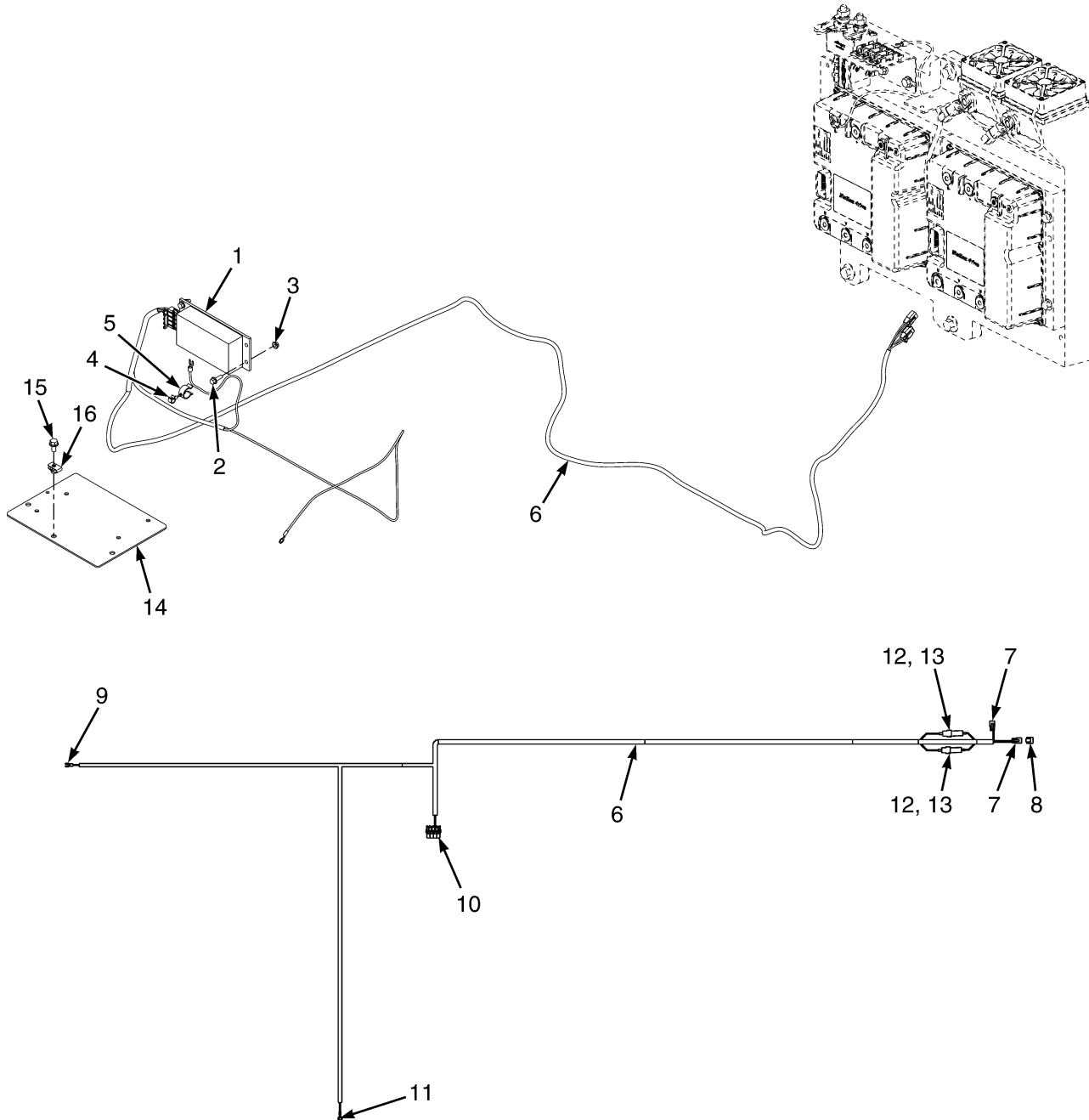


BP000479

**ACCUMULATOR**

<b>ITEM</b>	<b>PART NO.</b>	<b>DESCRIPTION</b>	<b>QTY</b>
1	1695807	Accumulator .....	1
2	1611564	Clamp .....	2
3	4031653	Strap Clamp .....	2
4	2073766	Hose Assy .....	1
5	1487096	Fitting .....	1

## DC-DC CONVERTER (FIGURE 10-2)



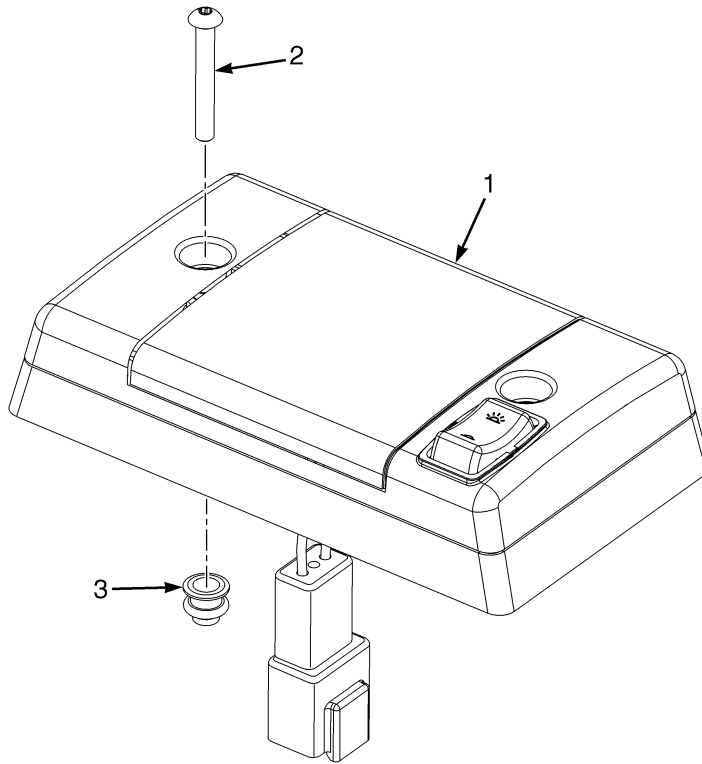
BP000088



**DC-DC CONVERTER**

ITEM	PART NO.	DESCRIPTION	QTY
1	2066644	DC-DC Converter (72V/80V to 12V) .....	1
2	1527877	Capscrew .....	2
3	<del>1307884</del> 1514429	Nut .....	2
4	1561871	Clamp (Swivel) .....	1
5	1502066	Clamp .....	1
6	<del>2106474</del> 4618141	Wire Harness .....	1
7	.....	Connector Assembly .....	2
7	1330419	Connector .....	1
7	1330424	Connector (Secondary Lock) .....	1
7	1330436	Terminal .....	2
8	1626727	Connector .....	1
9	1301784	E-Spade .....	1
10	.....	Connector Assembly .....	1
10	1682736	Terminal .....	2
10	1554877	Terminal .....	2
10	1554879	Connector .....	1
11	148606	E-Ring .....	1
12	4002299	Fuse Holder .....	2
13	314878	Fuse (15 Amp) .....	2
14	4002535	Bracket .....	1
15	1527879	Capscrew .....	3
16	1480237	Nut .....	3

## DOME LIGHT (FIGURE 10-3)

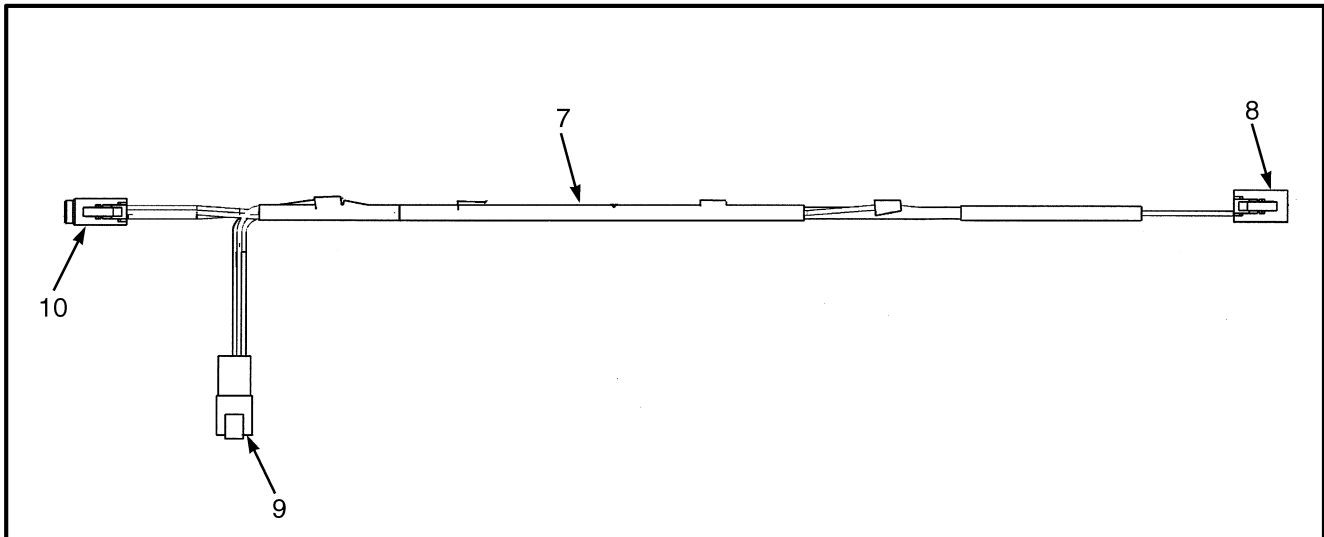
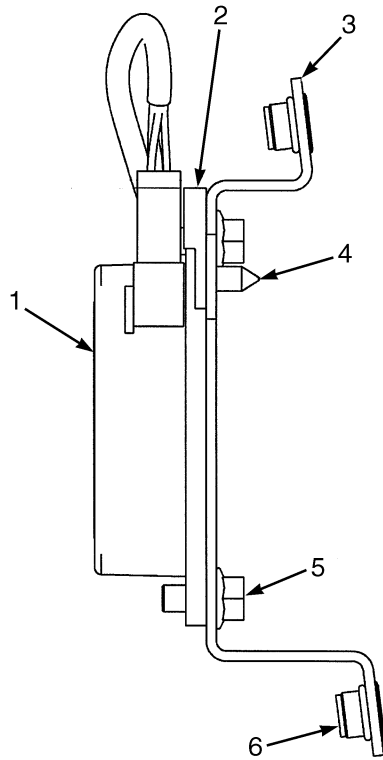


BP000279

ITEM	PART NO.	DESCRIPTION	QTY
1	2111852	Dome Light .....	1
2	302027	Screw .....	2
3	1683346	Insert .....	2



**IMPACT SENSOR (FIGURE 10-4)**

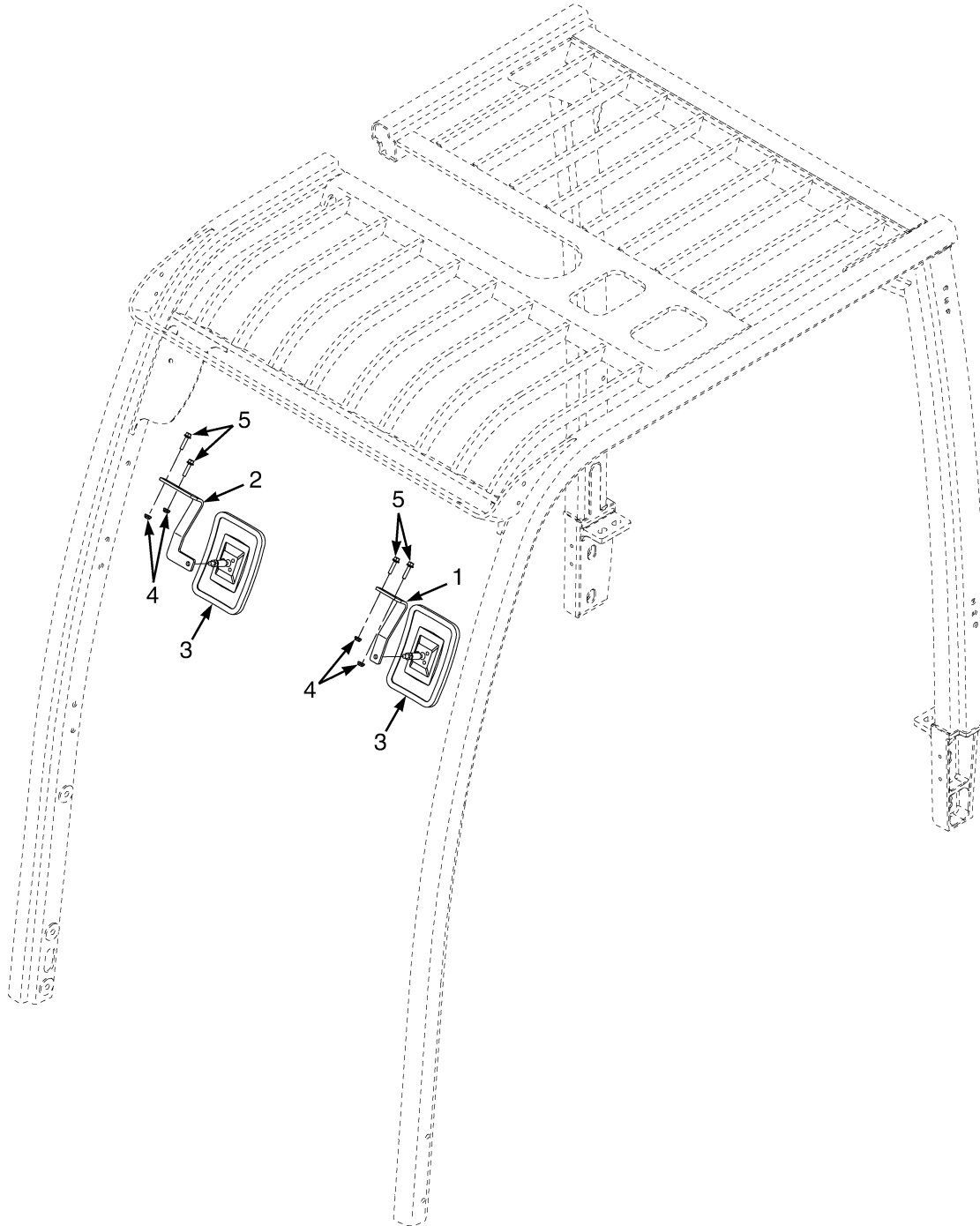


BP000091

**IMPACT SENSOR**

ITEM	PART NO.	DESCRIPTION	QTY
1	4601819	Sensor (Impact) .....	1
2	1500912	Clip .....	1
3	4010329	Bracket .....	1
4	1582464	Fastener .....	1
5	1527879	Capscrew .....	2
6	1531557	Insert .....	2
6	1510113	Capscrew .....	2
7	2107575	Wire Harness .....	1
8	.....	To Impact Sensor .....	1
8	1330421	Connector (4 Soc) .....	1
8	1330427	Connector (Secondary Lock) .....	1
8	1463141	Terminal (Socket) .....	4
9	.....	To Main Harness .....	1
9	1484377	Plug .....	1
9	1463141	Terminal (Socket) .....	7
9	1541992	Connector .....	1
9	1541991	Connector .....	1
10	.....	To Display Harness .....	1
10	1484377	Plug .....	1
10	1463140	Terminal (Pin) .....	7
10	1541989	Connector (Secondary Lock) .....	1
10	1541988	Connector (8 Pin) .....	1

**MIRROR (STANDARD) (FIGURE 10-5)**

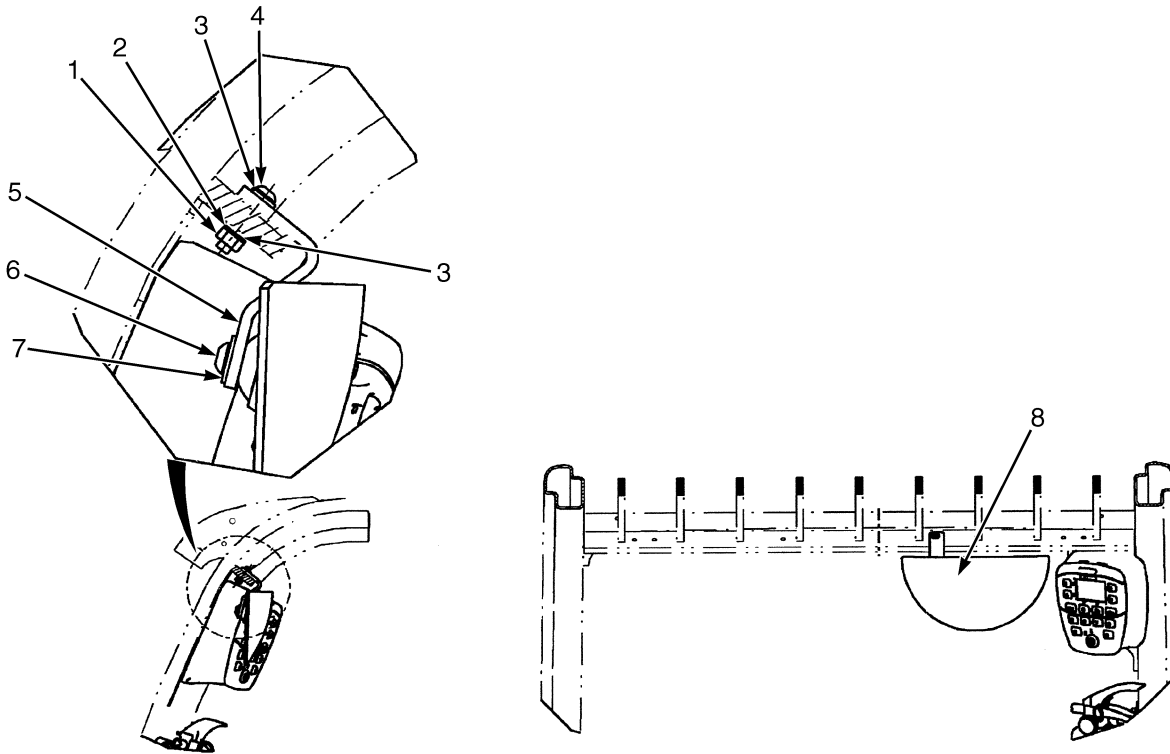


BP000480

**MIRROR (STANDARD)**

<b>ITEM</b>	<b>PART NO.</b>	<b>DESCRIPTION</b>	<b>QTY</b>
1	4023720	Bracket .....	1
2	4023721	Bracket .....	1
3	4009488	Mirror .....	2
4	1586429	Metric Nut .....	4
5	1586495	Capscrew .....	4

## MIRROR (PANORAMIC) (FIGURE 10-6)



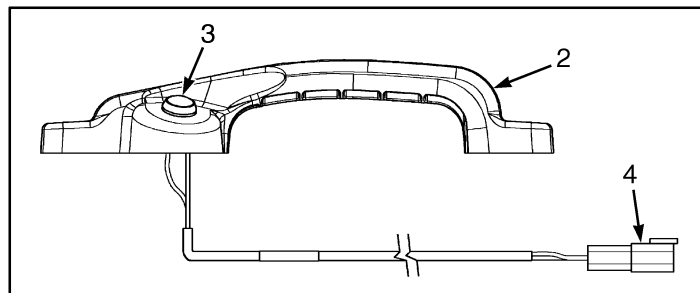
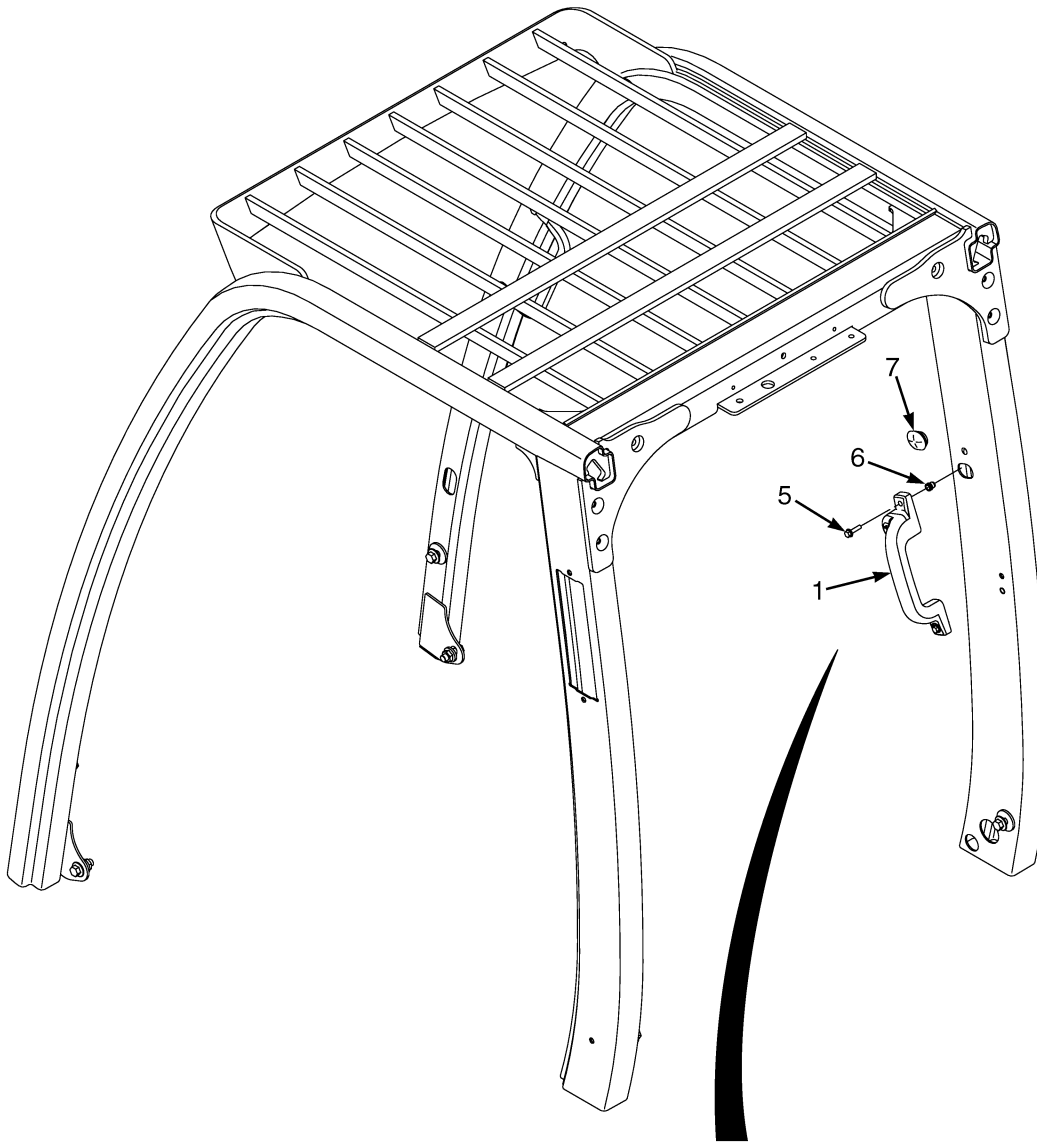
BP000328

ITEM	PART NO.	DESCRIPTION	QTY
1	136687	Nut .....	1
2	296379	Washer .....	1
3	1506738	Washer .....	2
4	2071261	Capscrew .....	1
5	1701409	Bracket (Panoramic Mirror) .....	1
6	369242	Capscrew .....	1
7	375629	Washer .....	1
8	2109975	Mirror .....	1





## REAR DRIVE HANDLE (FIGURE 10-7)



BP120662

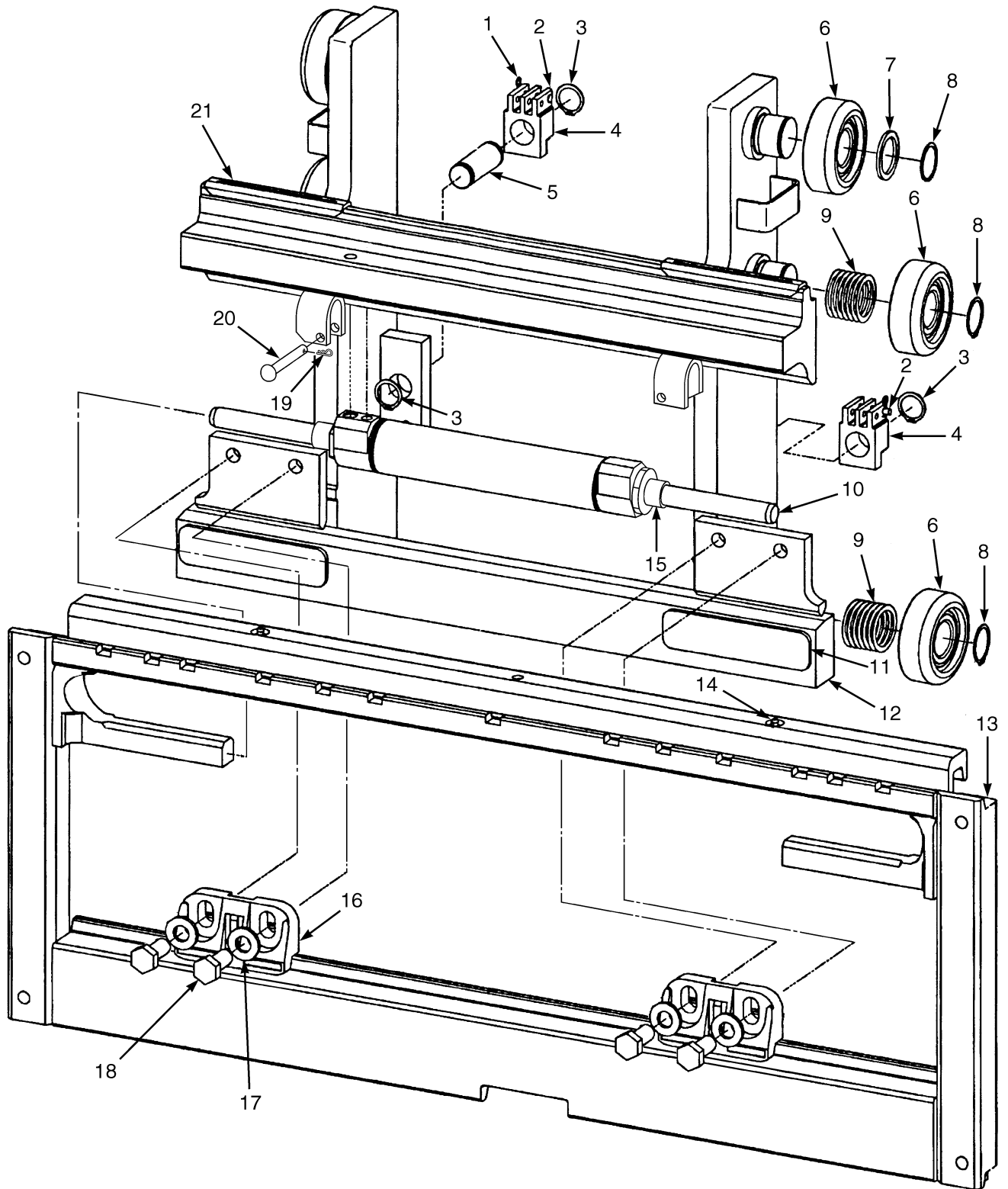
**REAR DRIVE HANDLE**

ITEM	PART NO.	DESCRIPTION	QTY
1	4603761	Handle Assembly (Standard) .....	1
1	4603762	Handle Assembly (Freezer) .....	1
2	2069454	Handle .....	1
3	1566726	Push Button Switch .....	1
4	1493465	Connector (2 Pin) (To Overhead Guard Horn Switch) .....	1
4	2109563	Cap (Freezer Handle Only) (Not Illustrated) .....	1
5	2071261	Capscrew .....	2
6	1531558	Insert .....	2
7	1598220	Grommet .....	1
	<b>a</b> 1542439	Clamp (Swivel) .....	4

**FOOTNOTES:**

**a** Not Illustrated

## INTEGRAL SIDE-SHIFT CARRIAGE (FIGURE 10-8) TWO STAGE LIMITED FREE-LIFT



HP000926

**INTEGRAL SIDE-SHIFT CARRIAGE  
TWO STAGE LIMITED FREE-LIFT**

**KEY:**

**A: J2.2 - 2.5XN - D507**

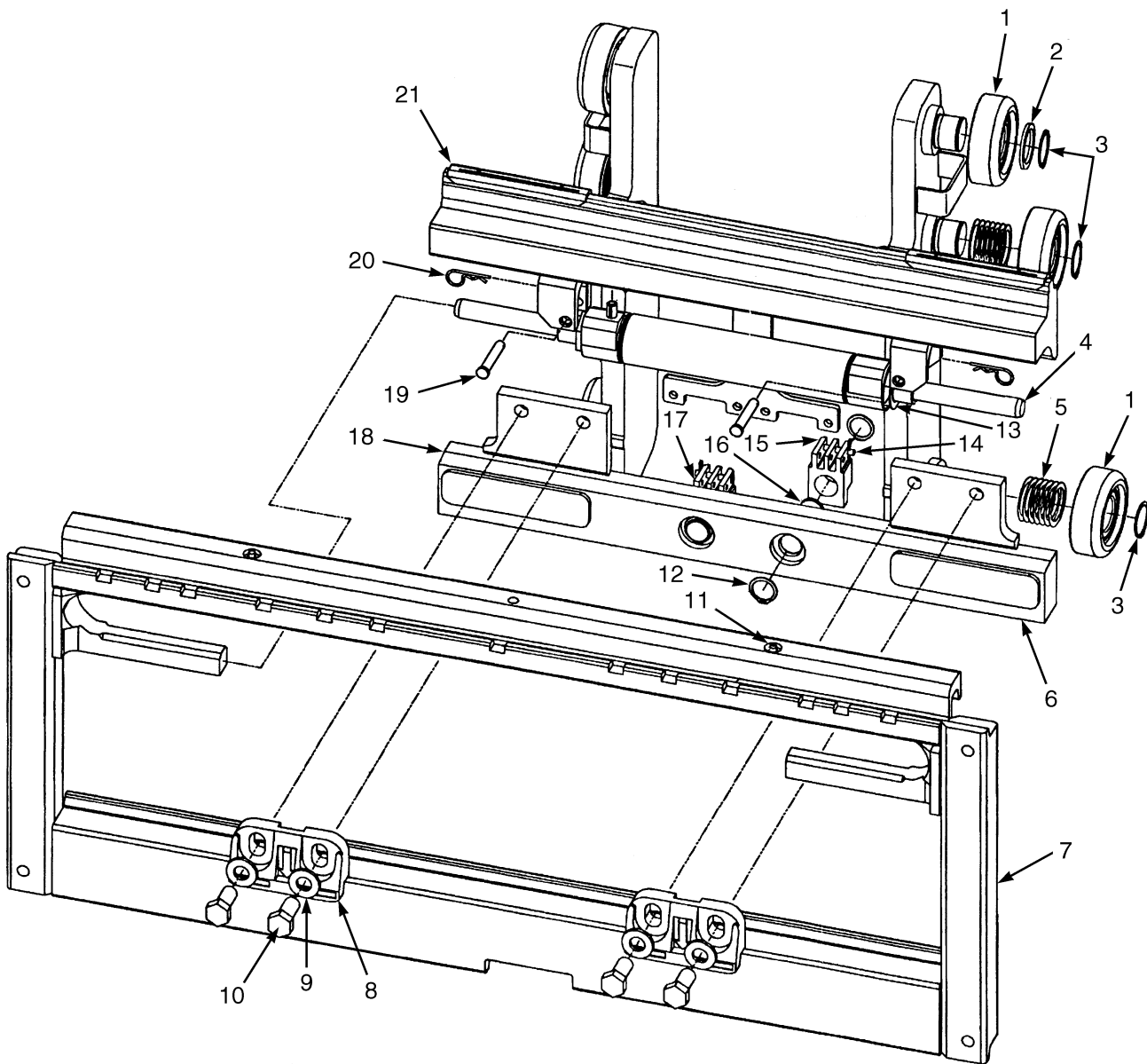
**B: J3.0 - 3.5XN - D562**

ITEM	PART NO.	DESCRIPTION	QTY	
			A	B
	2078355	Side-Shift Carriage (1067 mm) .....	1	..
	2078358	Side-Shift Carriage (1067 mm) .....	..	1
1	15211	Cotter Pin .....	2	2
1	1345264	Stubshaft .....	6	6
3	131358	Snap Ring .....	4	4
4	1369344	Chain Anchor (Dual Hole) .....	..	2
4	1504012	Chain Anchor (Single Hole) (Optional) .....	..	2
4	1369345	Chain Anchor (Dual Hole) .....	2	..
4	1504010	Chain Anchor (Single Hole) (Optional) .....	2	..
5	1353408	Pin .....	2	2
6	1345219	Load Roller ("B") (111.48/111.22) .....	6	6
7	366116	Spacer .....	2	2
8	12891	Snap Ring .....	6	6
9	1345263	Shim (0.508 mm) .....	28	28
10	2043528	Sideshift Cylinder Assembly (☞Figure 10-16).....	1	..
10	2043529	Sideshift Cylinder Assembly (☞Figure 10-16).....	..	1
11	2043533	Bearing Strip (Lower) .....	2	..
11	2043534	Bearing (Lower) .....	..	2
12	1600715	Carriage Wldmt (Inner) (1067 mm) .....	1	..
12	1600435	Carriage Wldmt (Inner) (1067 mm) .....	..	1
13	<del>1489011</del>			
	4033955	Frame (Outer) (for 1067 mm) .....	1	..
13	<del>1488975</del>			
	4033960	Frame (1067 mm) .....	..	1
14	16041	Grease Fitting .....	2	2
15	1498326	Shim .....	3	3
16	4611363	Hook .....	2	2
17	1581854	Washer .....	4	4
18	1581833	Capscrew .....	4	4
19	18832	Cotter Pin .....	2	2
20	1514866	Pin .....	2	..
20	1401746	Pin .....	..	2
21	2043531	Bearing Strip (Upper) .....	2	..
21	2043532	Bearing (Upper) .....	..	2
	<b>a</b> 1500395	Grease .....	AR	AR
	<b>a</b> 4611880	Carriage (Fork Positioner) (☞Figure 10-11).....	1	..
	<b>a</b> 4611882	Carriage (Fork Positioner) (☞Figure 10-11).....	..	1

**FOOTNOTES:**

**a** Not Illustrated

## INTEGRAL SIDE-SHIFT CARRIAGE (FIGURE 10-9) THREE STAGE FULL FREE-LIFT



HP000927

**INTEGRAL SIDE-SHIFT CARRIAGE  
THREE STAGE FULL FREE-LIFT**

**KEY:**

**A: J2.2 - 2.5XN - D508**

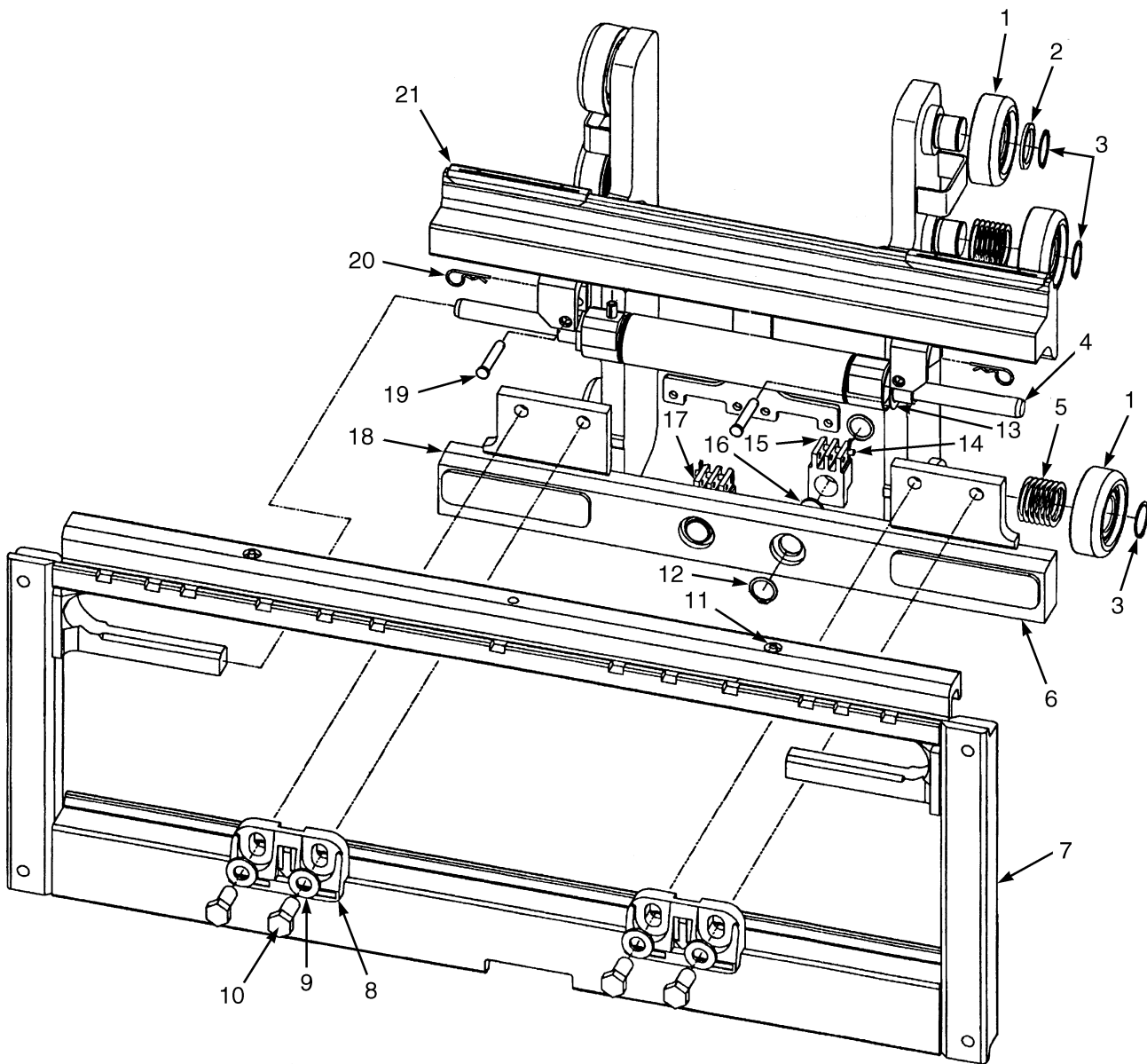
**B: J3.0 - 3.5XN - D563**

ITEM	PART NO.	DESCRIPTION	QTY	
			A	B
	2078354	Side-Shift Carriage (1067 mm) .....	1	..
	2078356	Side-Shift Carriage (1067 mm) .....	..	1
1	1333399	Load Roller ("B") (92.18 mm/91.92 mm) .....	6	6
2	366115	Spacer .....	2	2
3	58901	Snap Ring .....	6	6
4	2043528	Sideshift Cylinder Assembly (☞Figure 10-16).....	1	..
4	2043529	Sideshift Cylinder Assembly (☞Figure 10-16).....	..	1
5	129387	Shim (0.508 mm) .....	28	28
6	1600554	Carriage Wldmt (Inner) .....	1	..
6	1600542	Carriage Wldmt (Inner) .....	..	1
6	1345264	Stubshaft .....	6	6
7	<del>1489011</del>			
	4033955	Frame (Outer) (for 1067 mm) .....	1	..
7	<del>1488975</del>			
	4033960	Frame (1067 mm) .....	..	1
8	4611363	Hook .....	2	2
9	1581854	Washer .....	4	4
10	1581833	Capscrew .....	4	4
11	16041	Grease Fitting .....	2	2
12	131358	Snap Ring .....	4	4
13	1498326	Shim .....	3	3
14	1514866	Pin .....	2	2
15	1369345	Chain Anchor (Dual Hole) .....	2	..
15	1504010	Chain Anchor (Single Hole) (Optional) .....	2	..
15	1369344	Chain Anchor (Dual Hole) .....	..	2
15	1504012	Chain Anchor (Single Hole) (Optional) .....	..	2
16	317735	Pin .....	2	2
17	15211	Cotter Pin .....	2	2
18	2043533	Bearing Strip (Lower) .....	2	..
18	2043534	Bearing (Lower) .....	..	2
19	1401746	Pin .....	2	2
20	18832	Cotter Pin .....	2	2
21	2043531	Bearing Strip (Upper) .....	2	..
21	2043532	Bearing (Upper) .....	..	2
	a 1500395	Grease .....	AR	AR
	a 4611880	Carriage (Fork Positioner) (☞Figure 10-12).....	1	..
	a 4611882	Carriage (Fork Positioner) (☞Figure 10-12).....	..	1

**FOOTNOTES:**

**a** Not Illustrated

## INTEGRAL SIDE-SHIFT CARRIAGE (FIGURE 10-10) TWO STAGE FULL FREE-LIFT



HP000927

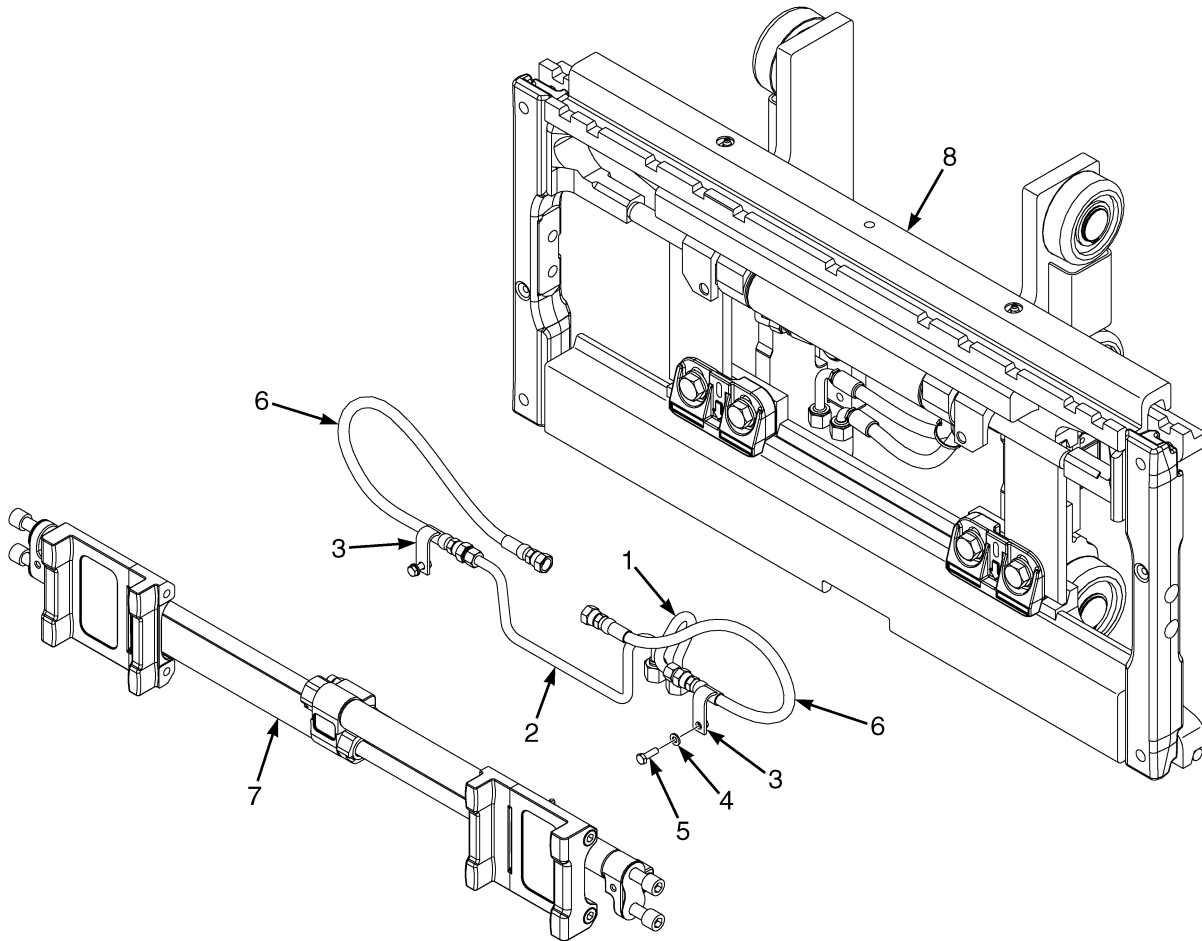


**INTEGRAL SIDE-SHIFT CARRIAGE  
TWO STAGE FULL FREE-LIFT****KEY:****A: J2.2 - 2.5XN - D509****B: J3.0 - 3.5XN - D564**

ITEM	PART NO.	DESCRIPTION	QTY	
			A	B
	2078352	Side-Shift Carriage (1067 mm) .....	1	..
	2078357	Side-Shift Carriage (1067 mm) .....	..	1
1	1345219	Load Roller ("B") (111.48/111.22) .....	6	6
2	366116	Spacer .....	2	2
3	12891	Snap Ring .....	6	6
4	2043528	Sideshift Cylinder Assembly (☞Figure 10-16).....	1	..
4	2043529	Sideshift Cylinder Assembly (☞Figure 10-16).....	..	1
5	1345263	Shim (0.508 mm) .....	28	28
6	1600589	Carriage Wldmt (Inner) (1067 mm) .....	1	..
6	1600432	Carriage Wldmt (Inner) (1067 mm) .....	..	1
6	1345264	Stubshaft .....	6	6
7	<del>1489011</del>			
	4033955	Frame (Outer) (for 1067 mm) .....	1	..
7	<del>1488975</del>			
	4033960	Frame (1067 mm) .....	..	1
8	4611363	Hook .....	2	2
9	296426	Washer .....	4	4
10	226458	Capscrew .....	4	2
11	16041	Grease Fitting .....	2	2
12	131358	Snap Ring .....	4	4
13	1498326	Shim .....	3	3
14	1514866	Pin .....	2	2
15	1369345	Chain Anchor (Dual Hole) .....	2	..
15	1504010	Chain Anchor (Single Hole) .....	2	..
15	1369344	Chain Anchor (Dual Hole) .....	..	2
15	1504012	Chain Anchor (Single Hole) .....	..	2
16	317735	Pin .....	2	2
17	15211	Cotter Pin .....	2	2
18	2043533	Bearing Strip (Lower) .....	2	..
18	2043534	Bearing (Lower) .....	..	2
19	1401746	Pin .....	2	2
20	18832	Cotter Pin .....	2	2
21	2043531	Bearing Strip (Upper) .....	2	..
21	2043532	Bearing (Upper) .....	..	2
	a 1500395	Grease .....	1	1
	a 4611880	Carriage (Fork Positioner) (☞Figure 10-13).....	1	..
	a 4611882	Carriage (Fork Positioner) (☞Figure 10-13).....	..	1

**FOOTNOTES:****a** Not Illustrated

## INTEGRAL SIDE-SHIFT (FIGURE 10-11) FORK POSITIONER — TWO STAGE LIMITED FREE-LIFT



BP020033

**INTEGRAL SIDE-SHIFT  
FORK POSITIONER – TWO STAGE LIMITED FREE-LIFT**

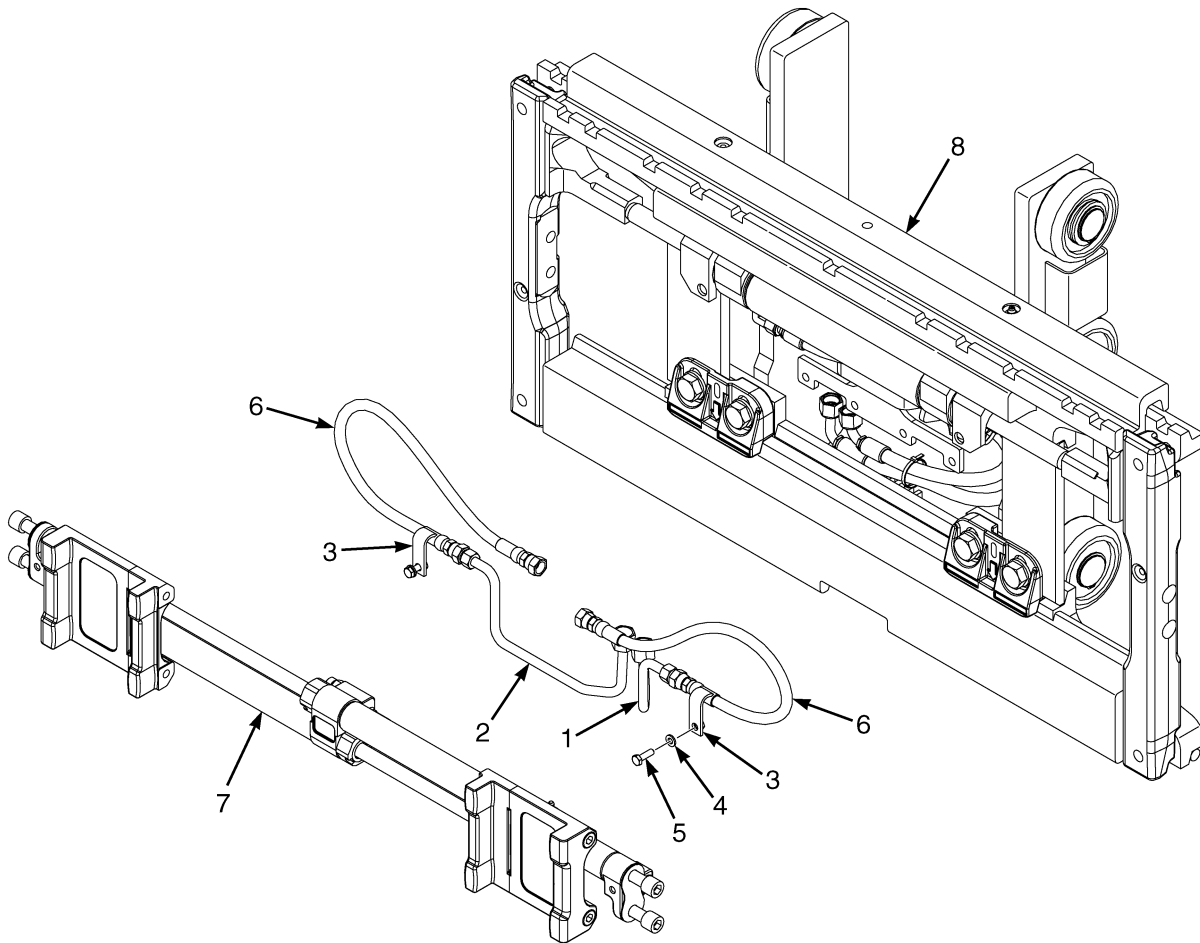
ITEM	PART NO.	DESCRIPTION	QTY
1	<b>a</b> 4612512	Tube Assy .....	1
1	<b>b</b> 4612360	Tube Assy .....	1
1	1487163	Fitting .....	1
2	<b>a</b> 4612511	Tube Assy .....	1
2	<b>b</b> 4612359	Tube Assy .....	1
2	1487163	Fitting .....	1
3	4027695	Bracket Wldmt .....	2
3	4047980	Bracket Wldmt (Alternate) .....	2
4	1673754	Washer .....	2
5	1670032	Capscrew .....	2
6	4618718	Hose Assy .....	2
7	<b>a</b> 4611880	Carriage (Fork Positioner) .....	1
7	<b>b</b> 4611882	Carriage (Fork Positioner) .....	1
7	4034634	Kit-Service Cylinder .....	1
7	4034635	Kit-Bearing .....	1
8	.....	Carriage Assembly (☞ Figure 10-8).....	1

**FOOTNOTES:**

**a** Class II

**b** Class III

## INTEGRAL SIDE-SHIFT (FIGURE 10-12) FORK POSITIONER — THREE STAGE FULL FREE-LIFT



BP020032

**INTEGRAL SIDE-SHIFT  
FORK POSITIONER – THREE STAGE FULL FREE-LIFT**

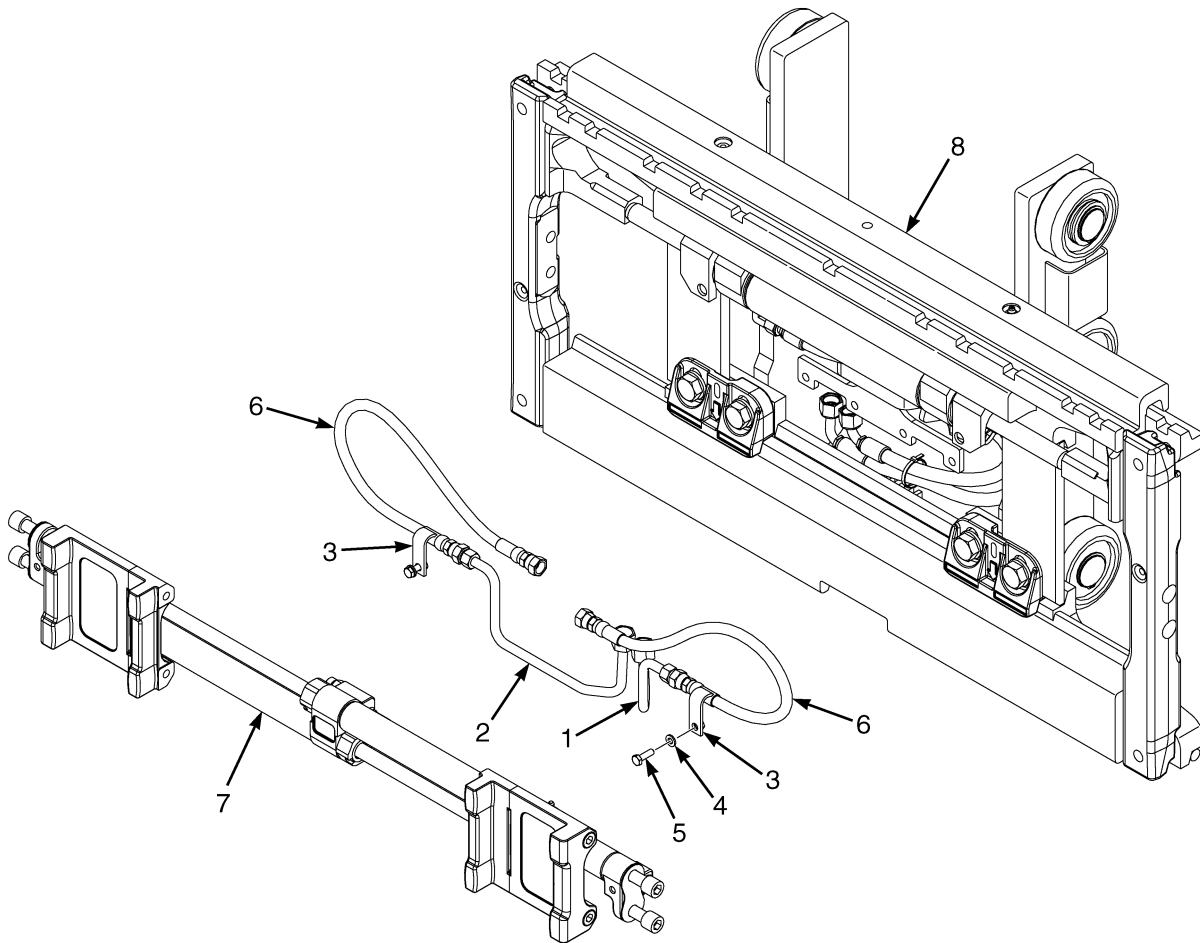
ITEM	PART NO.	DESCRIPTION	QTY
1	4612274	Tube Assy .....	1
1	1487163	Fitting .....	1
1	<b>c</b> 4616647	Tube Assy .....	1
2	4612273	Tube Assy .....	1
2	1487163	Fitting .....	1
2	<b>c</b> 4616648	Tube Assy .....	1
3	4027695	Bracket Wldmt .....	2
3	4047980	Bracket Wldmt (Alternate) .....	2
4	1673754	Washer .....	2
5	1670032	Capscrew .....	2
6	4618718	Hose Assy .....	2
7	<b>a</b> 4611880	Carriage (Fork Positioner) .....	1
7	<b>b</b> 4611882	Carriage (Fork Positioner) .....	1
7	4034634	Kit-Service Cylinder .....	1
7	4034635	Kit-Bearing .....	1
8	.....	Carriage Assembly (☞ Figure 10-9).....	1

**FOOTNOTES:**

- a** Class II
- b** Class III

**c** PENDING PER ECN 10610831 →

## INTEGRAL SIDE-SHIFT (FIGURE 10-13) FORK POSITIONER — TWO STAGE FULL FREE-LIFT



BP020032

**INTEGRAL SIDE-SHIFT  
FORK POSITIONER – TWO STAGE FULL FREE-LIFT**

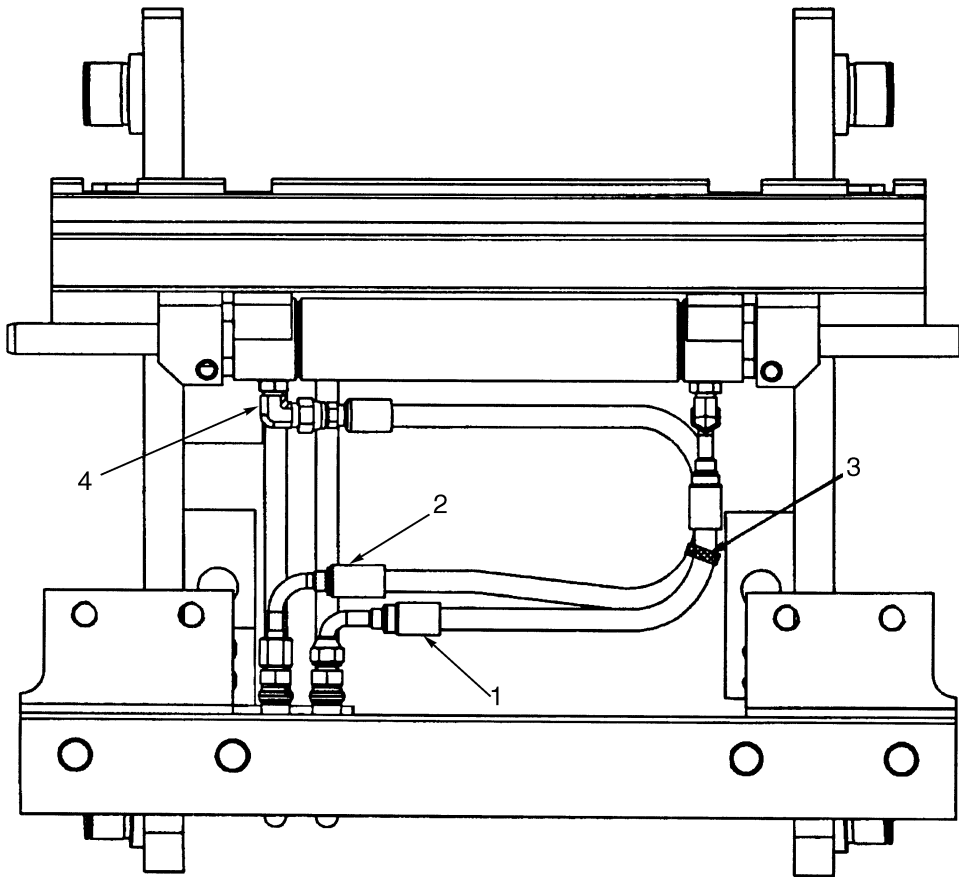
ITEM	PART NO.	DESCRIPTION	QTY
1	4611907	Tube Assy .....	1
1	1487163	Fitting .....	1
2	4611906	Tube Assy .....	1
2	1487163	Fitting .....	1
3	4027695	Bracket Wldmt .....	2
3	4047980	Bracket Wldmt (Alternate) .....	2
4	1673754	Washer .....	2
5	1670032	Capscrew .....	2
6	4618718	Hose Assy .....	2
7	<b>a</b> 4611880	Carriage (Fork Positioner) .....	1
7	<b>b</b> 4611882	Carriage (Fork Positioner) .....	1
7	4034634	Kit-Service Cylinder .....	1
7	4034635	Kit-Bearing .....	1
8	.....	Carriage Assembly (☞ Figure 10-10).....	1

**FOOTNOTES:**

**a** Class II

**b** Class III

## INTEGRAL SIDE-SHIFT HYDRAULIC HOSES (FIGURE 10-14) TWO STAGE LIMITED FREE-LIFT



BP000004

**KEY:**

**A:** J2.2 - 2.5XN

**B:** J3.0 - 3.5XN

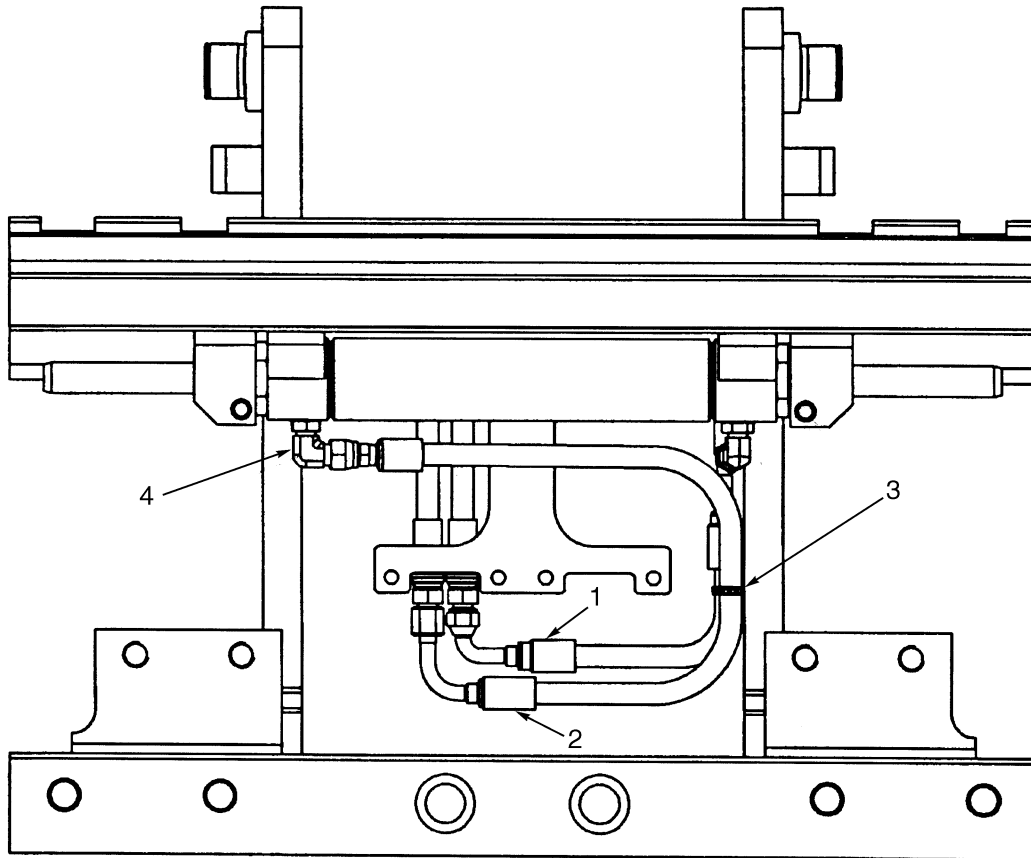
ITEM	PART NO.	DESCRIPTION	QTY	
			A	B
1	4610730	Hose Assy .....	1	..
1	<b>a</b> 4616427	Hose Assy .....	1	..
1	4610728	Hose Assy .....	..	1
1	<b>a</b> 4616426	Hose Assy .....	..	1
2	4610729	Hose Assy .....	1	..
2	4610727	Hose Assy .....	..	1
3	114312	Strap Clamp .....	1	1
4	1487059	Fitting .....	2	2

**FOOTNOTES:**

**a** PENDING PER ECN 10610831 →



**INTEGRAL SIDE-SHIFT HYDRAULIC HOSES (FIGURE 10-15)  
TWO AND THREE STAGE FULL FREE-LIFT**



BP000003

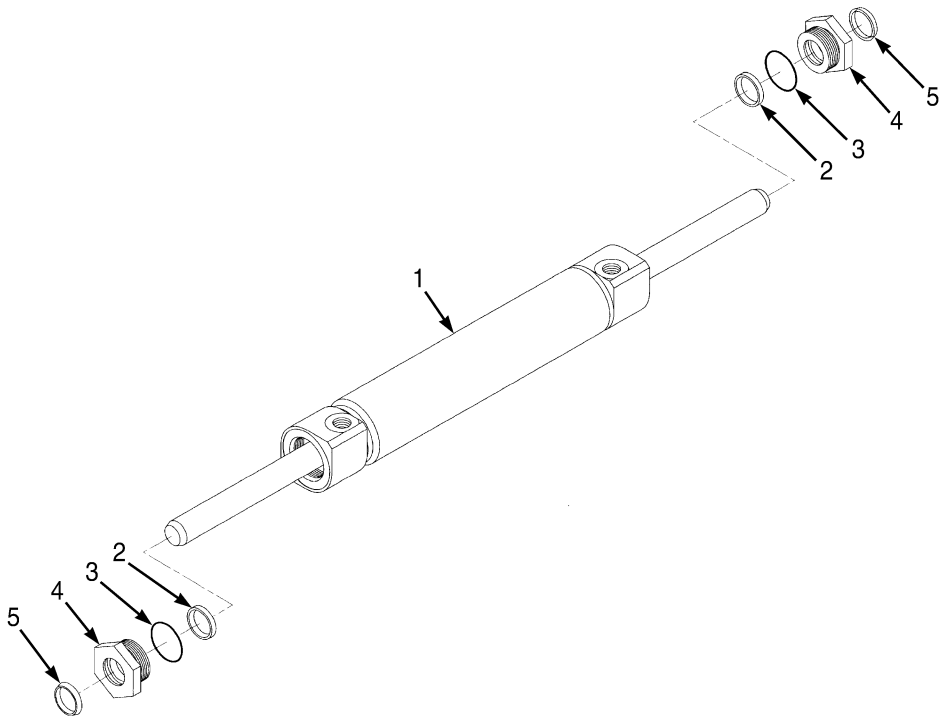
**KEY:**

**A: J2.2 - 2.5XN**

**B: J3.0 - 3.5XN**

ITEM	PART NO.	DESCRIPTION	QTY	
			A	B
1	2065670			
	4612127	Hose Assy .....	1	..
1	4612129	Hose Assy .....	..	1
2	2065674			
	4612128	Hose Assy .....	1	..
2	4612130	Hose Assy .....	..	1
3	114312	Strap Clamp .....	1	1
4	1487059	Fitting .....	2	2

## INTEGRAL SIDE-SHIFT CYLINDER (FIGURE 10-16)



HP000536

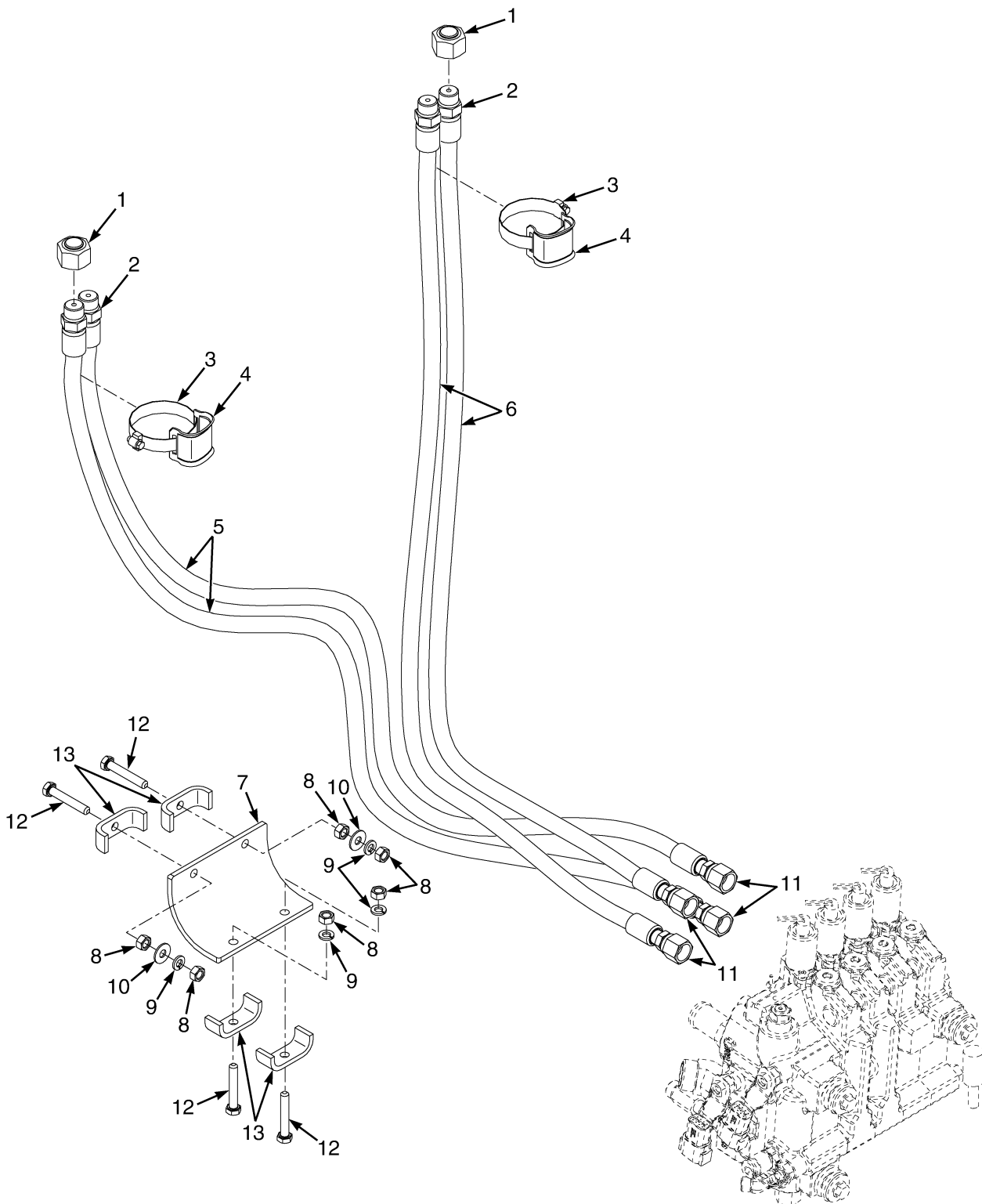
**INTEGRAL SIDE-SHIFT CYLINDER**

ITEM	PART NO.	DESCRIPTION	QTY
	2043528	Sideshift Cylinder Assembly Class II .....	1
	2043529	Sideshift Cylinder Assembly Class III .....	1
1	. . . . .	Cylinder Wldmnt .....	1
2	1489037	Rod Seal .....	2
3	1489035	O-Ring .....	2
4	1498325	Retainer .....	2
5	1489039	Rod Wiper .....	2
	<b>a</b> 302487	Roll Pin .....	1
	1503096	Kit-Seal .....	1

**FOOTNOTES:**

**a** Not Illustrated

## AUXILIARY HOSES (FIGURE 10-17) WITH ELECTRO-HYDRAULIC VALVE

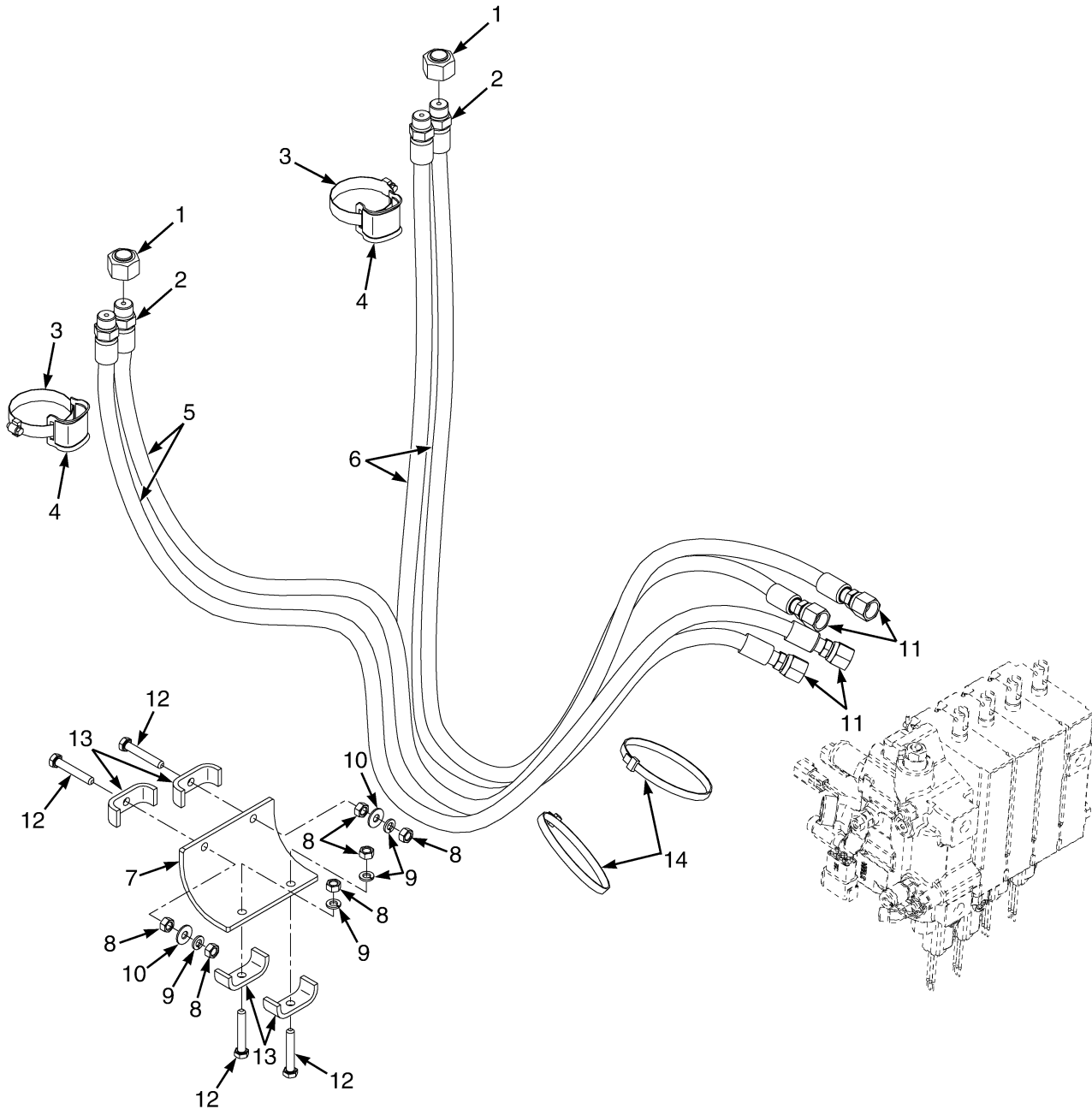


BP000482

**AUXILIARY HOSES  
WITH ELECTRO-HYDRAULIC VALVE****KEY:****A: Three Function****B: Four Function**

ITEM	PART NO.	DESCRIPTION	QTY	
			A	B
1	1529016	Fitting .....	2	4
2	1556897	Fitting .....	2	4
3	1481229	Clamp .....	1	2
4	1477996	Hose Clamp .....	1	2
5	2089166	Hose Assy .....	1	2
6	2089162	Hose Assy .....	1	2
7	1633113	Plate .....	1	1
8	239503	Nut .....	3	6
9	292681	Lockwasher .....	2	4
10	320158	Washer .....	1	2
11	16925	Fitting .....	2	4
12	292509	Capscrew .....	2	4
13	1345348	Clamp .....	2	4

## AUXILIARY HOSES (FIGURE 10-18) WITH MANUAL-HYDRAULIC VALVE



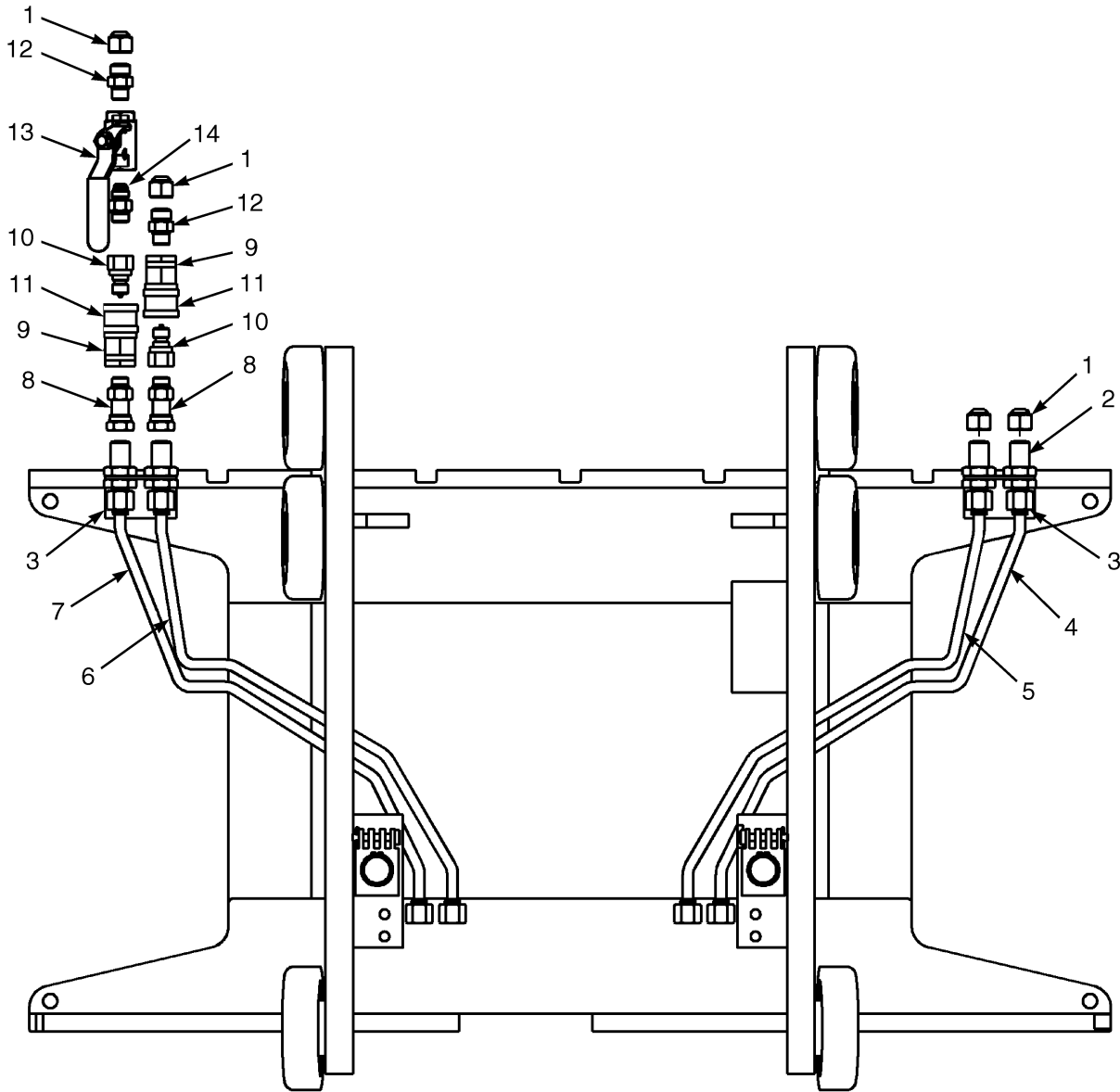
BP000481

**AUXILIARY HOSES  
WITH MANUAL-HYDRAULIC VALVE****KEY:****A: Three Function****B: Four Function**

ITEM	PART NO.	DESCRIPTION	QTY	
			A	B
1	1529016	Fitting .....	2	4
2	1556897	Fitting .....	2	4
3	1481229	Clamp .....	1	2
4	1477996	Hose Clamp .....	1	2
5	2089167	Hose Assy .....	1	2
6	2089168	Hose Assy .....	1	2
7	1633113	Plate .....	1	1
8	239503	Nut .....	3	6
9	292681	Lockwasher .....	2	4
10	320158	Washer .....	1	2
11	16925	Fitting .....	2	4
12	292509	Capscrew .....	2	4
13	1345348	Clamp .....	2	4
13	1617657	Clamp (Optional) .....	2	4
14	273775	Strap Clamp .....	..	2
	<b>a</b> 176640	Bolt .....	1	..

**FOOTNOTES:****a** Not Illustrated

## AUXILIARY TUBE EXTENSIONS (FIGURE 10-19) TWO STAGE LIMITED FREE-LIFT (→ S/N D507V02972H) (→ S/N D562V02053H)



BP000291



**AUXILIARY TUBE EXTENSIONS**  
TWO STAGE LIMITED FREE-LIFT (→ S/N D507V02972H) (→ S/N D562V02053H)

**KEY:**

- A:** D507, Three Function  
**B:** D507, Four Function  
**C:** D562, Three Function  
**D:** D562, Four Function

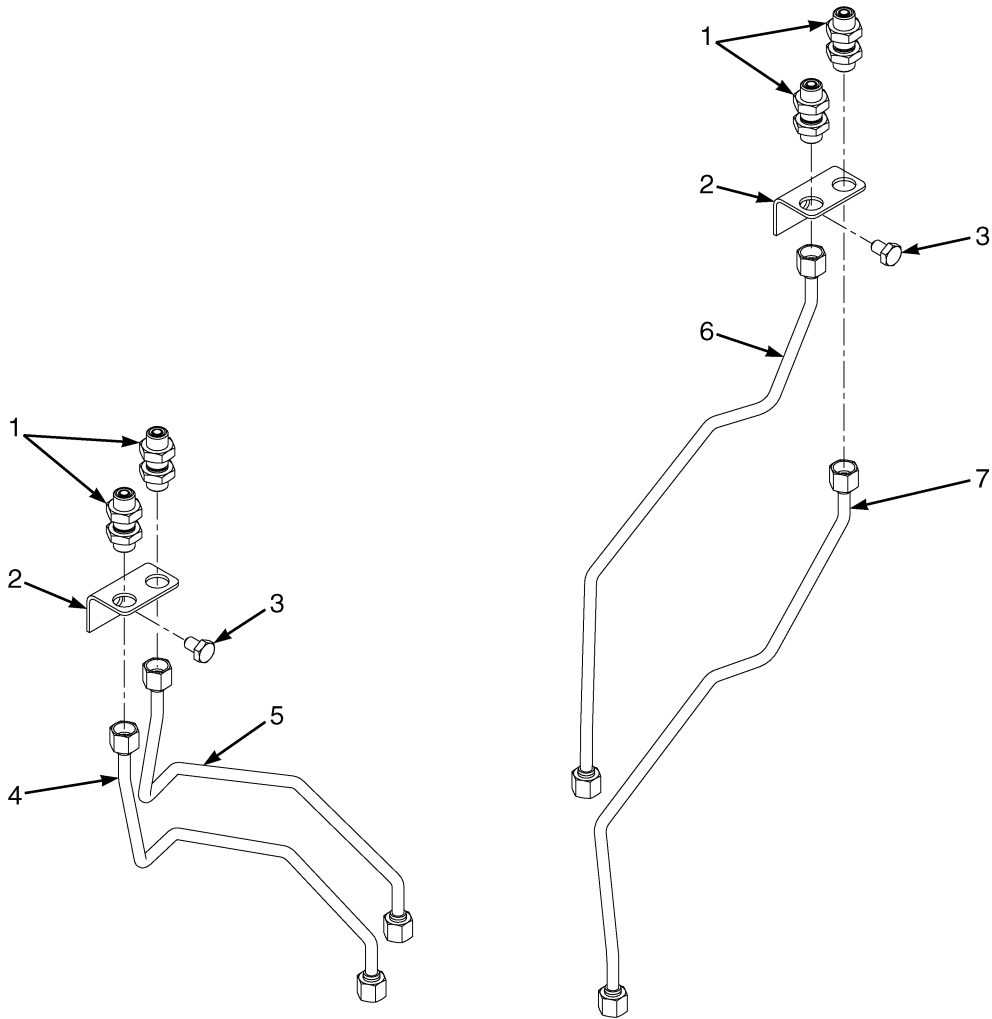
ITEM	PART NO.	DESCRIPTION	QTY			
			A	B	C	D
1	1529015	Cap .....	2	2	2	2
2	<b>a</b> 1528573	Fitting .....	2	2	2	2
2	265787	O-Ring .....	2	2	2	2
3	1550070	Bracket .....	2	2	2	2
4	2074400	Tube Assy .....	1	..	..	..
4	2074404	Tube Assy .....	..	..	1	..
5	2074401	Tube Assy .....	1	..	..	..
5	2074405	Tube Assy .....	..	..	1	..
6	2074402	Tube Assy .....	..	1	..	..
6	2074406	Tube Assy .....	..	..	..	1
7	2074403	Tube Assy .....	..	1	..	..
7	2074407	Tube Assy .....	..	..	..	1
8	1549715	Fitting .....	2	2	2	2
8	265787	O-Ring .....	2	2	2	2
8	1527813	O-Ring .....	2	2	2	2
9	1483663	Quick Disconnect Fitting .....	2	2	2	2
10	1483664	Fitting .....	2	2	2	2
11	1483661	Dust Cap .....	2	2	2	2
12	1486740	Fitting .....	2	2	2	2
12	1527813	O-Ring .....	1	1	1	1
12	265787	O-Ring .....	1	1	1	1
13	2081418	Drain Valve .....	1	1	1	1
14	16540	Connector .....	1	1	1	1
14	16483	O-Ring .....	1	1	1	1

**FOOTNOTES:**

- a** Used without quick disconnect fittings

## AUXILIARY TUBE EXTENSIONS (FIGURE 10-20)

TWO STAGE LIMITED FREE-LIFT — WITHOUT QUICK DISCONNECT FITTINGS (S/N D507V02973H →)  
(S/N D562V02054H →)



BP000545

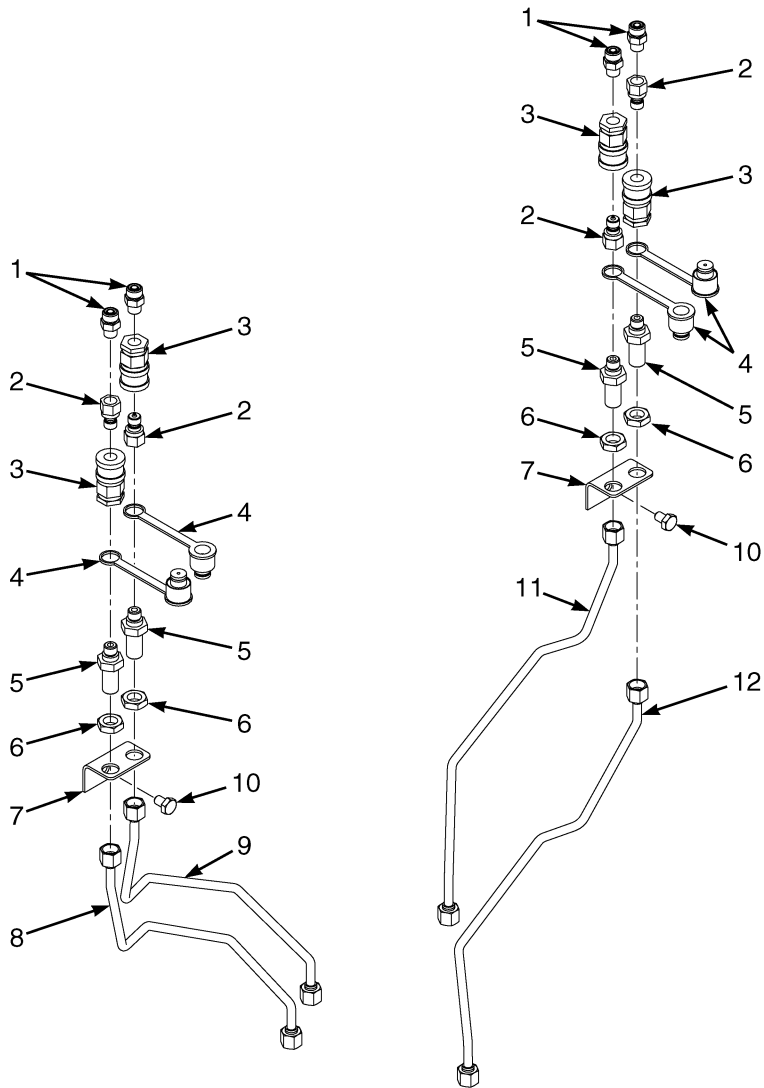
**AUXILIARY TUBE EXTENSIONS**

**TWO STAGE LIMITED FREE-LIFT – WITHOUT QUICK DISCONNECT FITTINGS (S/N D507V02973H →)  
(S/N D562V02054H →)**

**KEY:****A: D507 3 Function****B: D507 4 Function****C: D562 3 Function****D: D562 4 Function**

ITEM	PART NO.	DESCRIPTION	QTY			
			A	B	C	D
1	1528573	Fitting .....	1	2	1	2
2	1550070	Bracket .....	1	2	1	2
3	1658934	Capscrew .....	1	2	1	2
4	2074403	Tube Assy .....	..	1	..	..
4	2074407	Tube Assy .....	..	..	..	1
5	2074402	Tube Assy .....	..	1	..	..
5	2074406	Tube Assy .....	..	..	..	1
6	2074401	Tube Assy .....	1	1	..	..
6	2074405	Tube Assy .....	..	..	1	1
7	2074400	Tube Assy .....	1	1	..	..
7	2074404	Tube Assy .....	..	..	1	1

## AUXILIARY TUBE EXTENSIONS (FIGURE 10-21) TWO STAGE LIMITED FREE-LIFT — MANUAL HYDRAULICS WITH QUICK DISCONNECT FITTINGS (S/N D507V02973H →) (S/N D562V02054H →)



BP000546

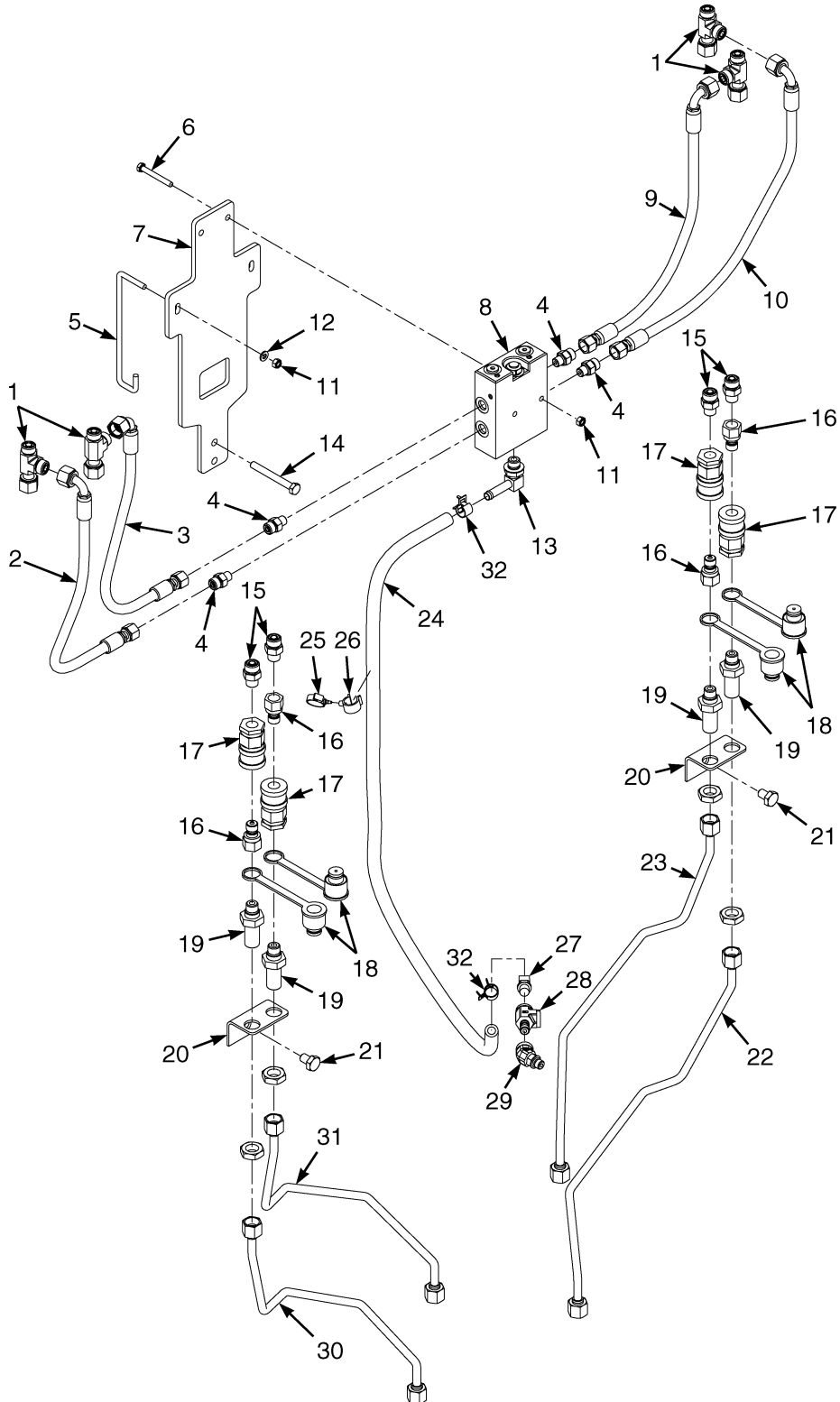
**AUXILIARY TUBE EXTENSIONS**  
**TWO STAGE LIMITED FREE-LIFT – MANUAL HYDRAULICS WITH QUICK DISCONNECT FITTINGS**  
**(S/N D507V02973H →) (S/N D562V02054H →)**

**KEY:**

**A: D507 3 Function**  
**B: D507 4 Function**  
**C: D562 3 Function**  
**D: D562 4 Function**

ITEM	PART NO.	DESCRIPTION	QTY			
			A	B	C	D
1	1486740	Fitting .....	2	4	2	4
2	1483664	Fitting (Quick Disconnect) .....	2	4	2	4
3	1483663	Quick Disconnect Fitting .....	2	4	2	4
4	1483661	Dust Cap .....	2	4	2	4
5	1708364	Bulkhead (Fitting) .....	2	4	2	4
6	1528602	Locknut .....	2	4	2	4
7	1550070	Bracket .....	1	2	1	2
8	2074407	Tube Assy .....	..	..	..	1
8	2074403	Tube Assy .....	..	1	..	..
9	2074406	Tube Assy .....	..	..	..	1
9	2074402	Tube Assy .....	..	1	..	..
10	1658934	Capscrew .....	1	2	1	2
11	2074405	Tube Assy .....	..	..	1	1
11	2074401	Tube Assy .....	1	1	..	..
12	2074404	Tube Assy .....	..	..	1	1
12	2074400	Tube Assy .....	1	1	..	..

## AUXILIARY TUBE EXTENSIONS (FIGURE 10-22) TWO STAGE LIMITED FREE-LIFT — E-HYDRAULICS WITH QUICK DISCONNECT FITTINGS (S/N D507V02973H →) (S/N D562V02054H →)



BP000551

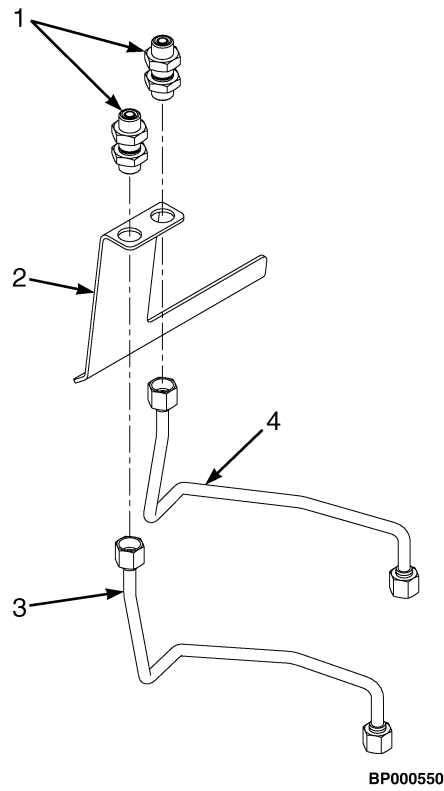
**AUXILIARY TUBE EXTENSIONS**  
**TWO STAGE LIMITED FREE-LIFT – E-HYDRAULICS WITH QUICK DISCONNECT FITTINGS**  
**(S/N D507V02973H →) (S/N D562V02054H →)**

**KEY:**

- A: D507 3 Function**
- B: D507 4 Function**
- C: D562 3 Function**
- D: D562 4 Function**

ITEM	PART NO.	DESCRIPTION	QTY			
			A	B	C	D
1	1487095	Fitting .....	2	4	2	4
2	4604683	Hose Assy .....	..	1	..	1
3	4604565	Hose Assy .....	..	1	..	1
4	1486737	Fitting .....	2	4	2	4
5	4016313	Hook .....	2	2	2	2
6	292505	Capscrew .....	2	2	2	2
7	4013928	Bracket .....	1	1	1	1
8	2111754	Valve (Single Auxiliary) .....	1	..	1	..
8	2111755	Valve (Dual Auxiliary) .....	..	1	..	1
9	4604566	Hose Assy .....	1	1	1	1
10	4604564	Hose Assy .....	1	1	1	1
11	<del>1512440</del>					
	302399	Nut .....	4	4	4	4
12	1673754	Washer .....	2	2	2	2
13	17221	Fitting .....	1	1	1	1
14	1581836	Capscrew .....	2	2	2	2
15	1486740	Fitting .....	2	4	2	4
16	1483664	Fitting (Quick Disconnect) .....	2	4	2	4
17	1483663	Quick Disconnect Fitting .....	2	4	2	4
18	1483661	Dust Cap .....	2	4	2	4
19	1708364	Bulkhead (Fitting) .....	2	4	2	4
20	1550070	Bracket .....	1	2	1	2
21	1658934	Capscrew .....	1	2	1	2
22	2074400	Tube Assy .....	1	1	..	..
22	2074404	Tube Assy .....	..	..	1	1
23	2074401	Tube Assy .....	1	1	..	..
23	2074405	Tube Assy .....	..	..	1	..
24	85767	Hose .....	1	1	1	1
25	1644398	Clamp .....	1	1	1	1
26	1606544	Clamp .....	1	1	1	1
27	222500	Fitting .....	1	1	1	1
28	.....	Fitting .....	1	1	1	1
29	1688347	Adapter .....	1	1	1	1
30	2074403	Tube Assy .....	..	1	..	..
30	2074407	Tube Assy .....	..	..	..	7
31	2074402	Tube Assy .....	..	1	..	..
31	2074406	Tube Assy .....	..	..	..	1
32	1569616	Hose Clamp .....	2	2	2	2

**AUXILIARY TUBE EXTENSIONS (FIGURE 10-23)**  
**TWO STAGE LIMITED FREE-LIFT — WITH ISS CARRIAGE AND WITHOUT QUICK DISCONNECT FITTINGS**  
**(S/N D507V02973H →) (S/N D562V02054H →)**





**AUXILIARY TUBE EXTENSIONS**

**TWO STAGE LIMITED FREE-LIFT – WITH ISS CARRIAGE AND WITHOUT QUICK DISCONNECT FITTINGS  
(S/N D507V02973H →) (S/N D562V02054H →)**

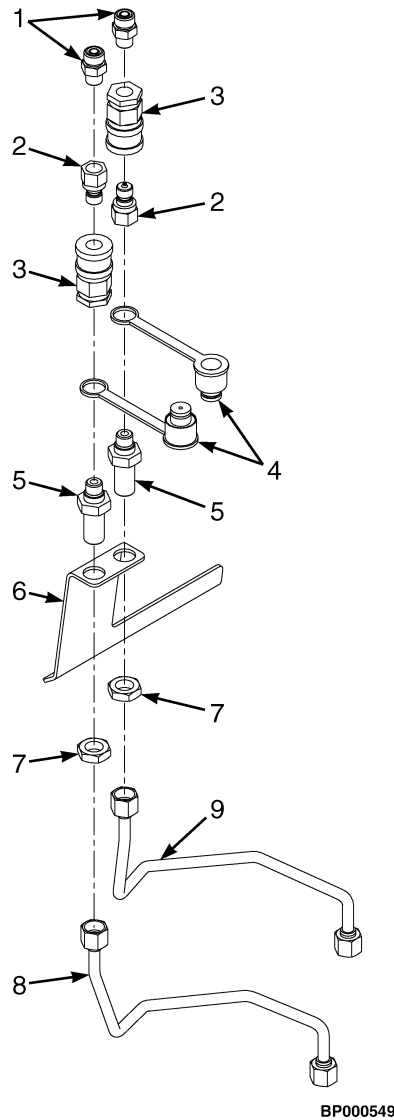
**KEY:**

**A: D507 4 Function**

**B: D562 4 Function**

ITEM	PART NO.	DESCRIPTION	QTY	
			A	B
1	1528573	Fitting .....	2	2
2	1549718	Bracket .....	1	..
2	1549724	Bracket .....	..	1
3	2074403	Tube Assy .....	1	..
3	2074407	Tube Assy .....	..	1
4	2074402	Tube Assy .....	1	..
4	2074406	Tube Assy .....	..	1

## AUXILIARY TUBE EXTENSIONS (FIGURE 10-24) TWO STAGE LIMITED FREE-LIFT — WITH ISS CARRIAGE AND MANUAL HYDRAULICS WITH QUICK DISCONNECT FITTINGS (S/N D507V02973H →) (S/N D562V02054H →)



**AUXILIARY TUBE EXTENSIONS**

**TWO STAGE LIMITED FREE-LIFT – WITH ISS CARRIAGE AND MANUAL HYDRAULICS WITH QUICK DISCONNECT FITTINGS (S/N D507V02973H →) (S/N D562V02054H →)**

**KEY:**

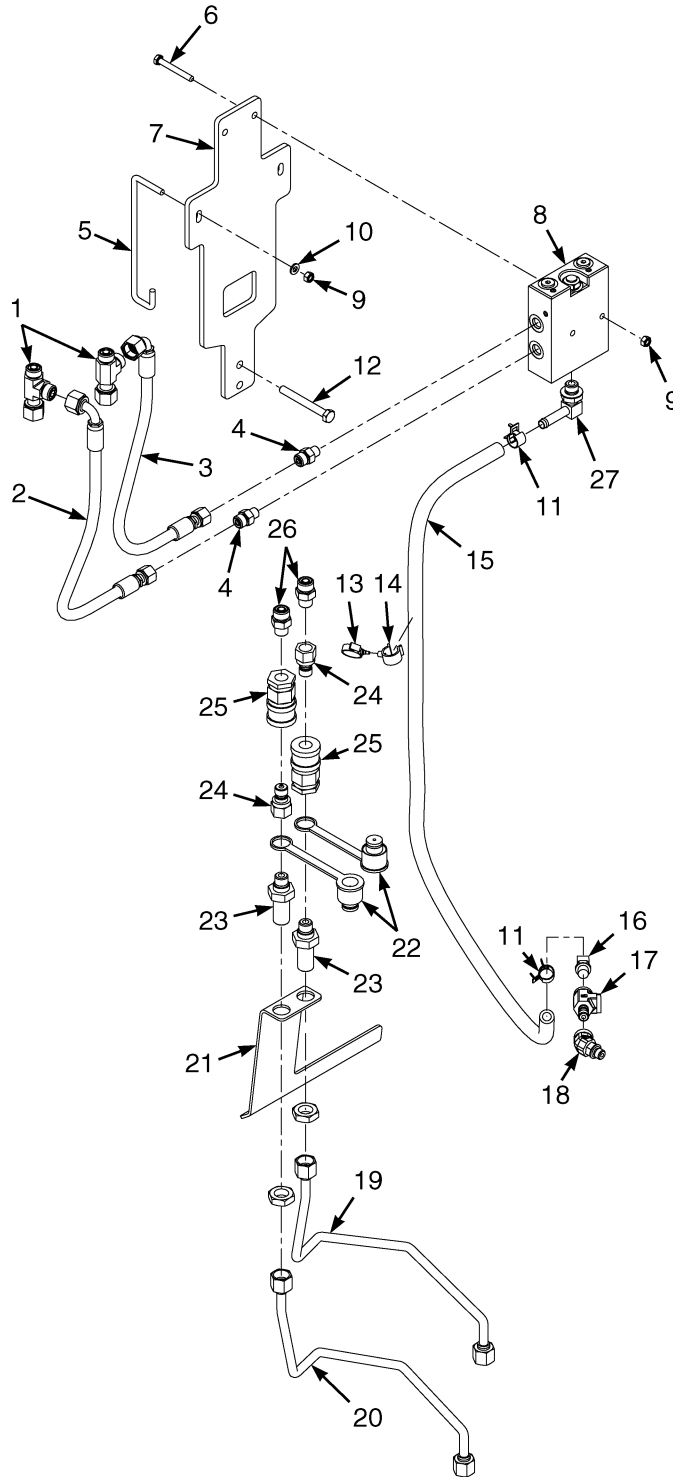
**A: D507 4 Function**

**B: D562 4 Function**

ITEM	PART NO.	DESCRIPTION	QTY	
			A	B
1	1486740	Fitting .....	2	2
2	1483664	Fitting (Quick Disconnect) .....	2	2
3	1483663	Quick Disconnect Fitting .....	2	2
4	1483661	Dust Cap .....	2	2
5	1708364	Bulkhead (Fitting) .....	2	2
6	1549718	Bracket .....	1	1
7	1528602	Locknut .....	2	2
8	2074403	Tube Assy .....	1	..
8	2074407	Tube Assy .....	..	1
9	2074402	Tube Assy .....	1	..
9	2074406	Tube Assy .....	..	1

## AUXILIARY TUBE EXTENSIONS (FIGURE 10-25)

TWO STAGE LIMITED FREE-LIFT — WITH ISS CARRIAGE AND E-HYDRAULICS WITH QUICK DISCONNECT FITTINGS (S/N D507V02973H →) (S/N D562V02054H →)



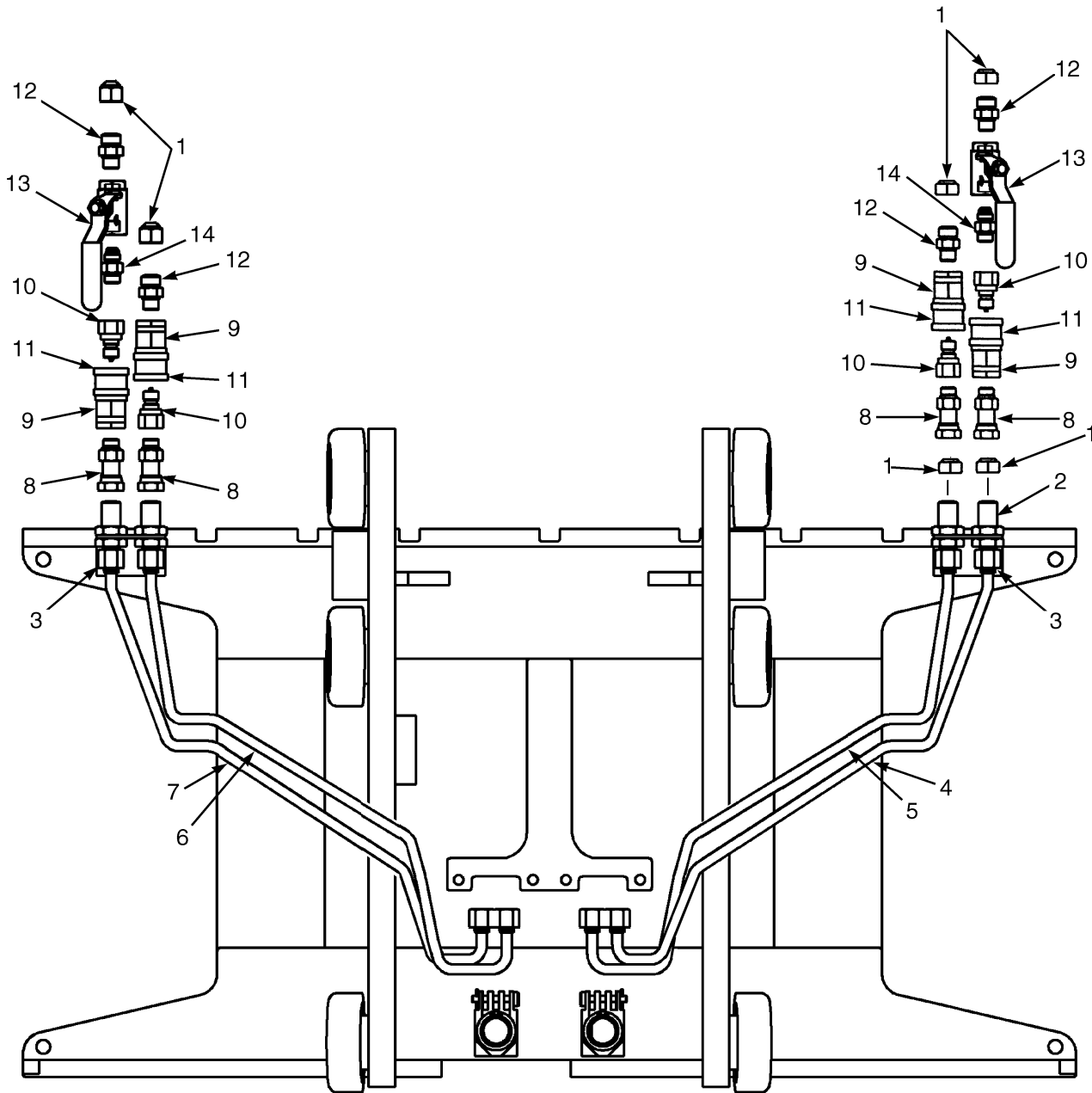
BP000552

**AUXILIARY TUBE EXTENSIONS****TWO STAGE LIMITED FREE-LIFT – WITH ISS CARRIAGE AND E-HYDRAULICS WITH QUICK DISCONNECT FITTINGS (S/N D507V02973H →) (S/N D562V02054H →)****KEY:****A: D507 4 Function****B: D532 4 Function**

ITEM	PART NO.	DESCRIPTION	QTY	
			A	B
1	1487097	Fitting .....	2	2
2	4607300	Hose Assy .....	1	1
3	4607299	Hose Assy .....	1	1
4	1486737	Fitting .....	2	2
5	4016313	Hook .....	2	2
6	292505	Capscrew .....	2	2
7	4013928	Bracket .....	1	1
8	2111754	Valve (Single Auxiliary) .....	1	1
9	1512440			
	302399	Nut .....	4	4
10	1673754	Washer .....	2	2
11	1569616	Hose Clamp .....	2	2
12	4016370	Capscrew .....	2	2
13	1644398	Clamp .....	1	1
14	1606544	Clamp .....	1	1
15	85767	Hose .....	1	1
16	222500	Fitting .....	1	1
17	.....	Fitting .....	1	1
18	1688347	Adapter .....	1	1
19	2074402	Tube Assy .....	1	..
19	2074406	Tube Assy .....	..	1
20	2074403	Tube Assy .....	1	..
20	2074407	Tube Assy .....	..	1
21	1549724	Bracket .....	1	1
22	1483661	Dust Cap .....	2	2
23	1708364	Bulkhead (Fitting) .....	2	2
23	1528602	Locknut .....	2	2
24	1483664	Fitting (Quick Disconnect) .....	2	2
25	1483663	Quick Disconnect Fitting .....	2	2
26	1486740	Fitting .....	2	2

## AUXILIARY TUBE EXTENSIONS (FIGURE 10-26)

TWO AND THREE STAGE FULL FREE-LIFT (→ S/N D508V27242H) (→ S/N D509V02103H)  
(→ S/N D563V11350H) (→ S/N D564V02121H)



**AUXILIARY TUBE EXTENSIONS**  
**TWO AND THREE STAGE FULL FREE-LIFT (→ S/N D508V27242H) (→ S/N D509V02103H)**  
**(→ S/N D563V11350H) (→ S/N D564V02121H)**

**KEY:**

- A: D508, D509 Three Function, Class II**
- B: D508, D509 Four Function, Class II**
- C: D563, D564 Three Function, Class III**
- D: D563, D564 Four Function, Class III**

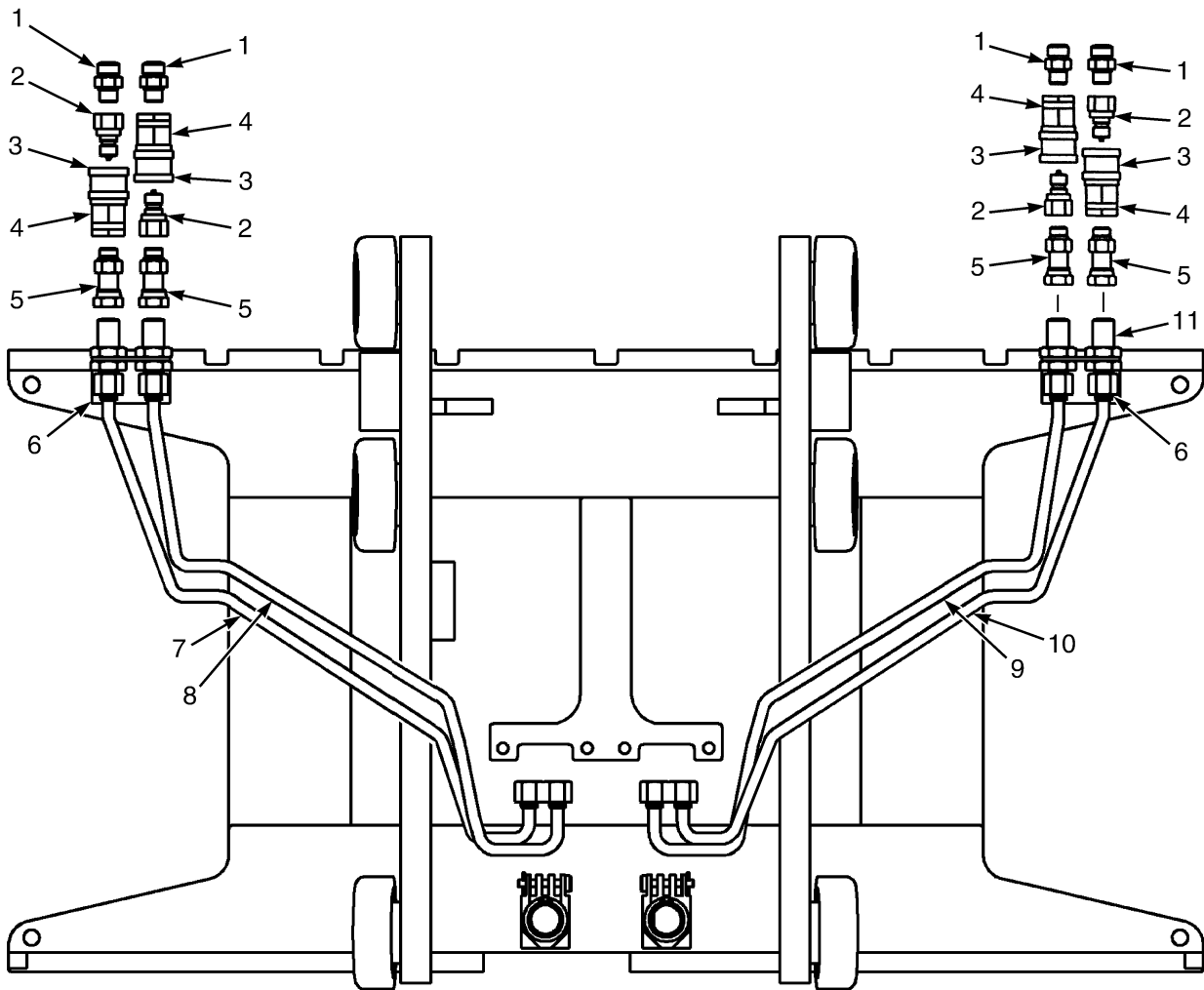
ITEM	PART NO.	DESCRIPTION	QTY			
			A	B	C	D
1	1529015	Cap .....	2	4	2	4
2	<b>d</b> 1528573	Fitting .....	2	4	2	4
3	<b>c</b> 1550070	Bracket (LH) .....	1	1	1	1
3	<b>a</b> 1549717	Bracket (RH) .....	1	1	..	..
3	<b>a</b> 1549718	Bracket (LH) .....	..	1	..	..
3	<b>a</b> 1549723	Bracket (RH) .....	..	..	1	1
3	<b>a</b> 1549724	Bracket (LH) .....	..	..	..	1
4	2079985					
	4613398	Tube Assy (RH) .....	1	1	..	..
4	4613402	Tube Assy (RH) .....	..	..	1	1
5	2079986					
	4613399	Tube Assy (RH) .....	1	1	..	..
5	2079990					
	4613403	Tube Assy (RH) .....	..	..	1	1
6	2079988					
	4613401	Tube Assy (LH) .....	..	1	..	..
6	2079992					
	4613405	Tube Assy (LH) .....	..	..	..	1
7	2079987					
	4613400	Tube Assy (LH) .....	..	1	..	..
7	2079994					
	4613404	Tube Assy (LH) .....	..	..	..	1
8	<b>b</b> 1549715	Fitting .....	2	4	2	4
8	<b>b</b> 1527813	O-Ring .....	2	4	2	4
8	<b>b</b> 265787	O-Ring .....	2	4	2	4
9	<b>b</b> 1483663	Quick Disconnect Fitting .....	2	4	2	4
10	<b>b</b> 1483664	Fitting .....	2	4	2	4
11	<b>b</b> 1483661	Dust Cap .....	2	4	2	4
12	<b>b</b> 1486740	Fitting .....	2	4	2	4
12	<b>b</b> 1527813	O-Ring .....	1	1	1	1
12	<b>b</b> 265787	O-Ring .....	1	1	1	1
13	<b>b</b> 2081418	Drain Valve .....	1	2	1	2
14	16540	Connector .....	1	2	1	2
14	16483	O-Ring .....	1	1	1	1

**FOOTNOTES:**

- a** Used With Integral Sideshift Carriage
- b** Used With Quick Disconnect Only
- c** Used With Standard Carriage
- d** Without Quick Disconnect

## AUXILIARY TUBE EXTENSIONS (FIGURE 10-27)

TWO AND THREE STAGE FULL FREE-LIFT (S/N D508V27243H →) (S/N D509V02104H →)  
(S/N D563V11351H →) (S/N D564V02122H →)



BP000554



**AUXILIARY TUBE EXTENSIONS**

**TWO AND THREE STAGE FULL FREE-LIFT (S/N D508V27243H →) (S/N D509V02104H →)  
(S/N D563V11351H →) (S/N D564V02122H →)**

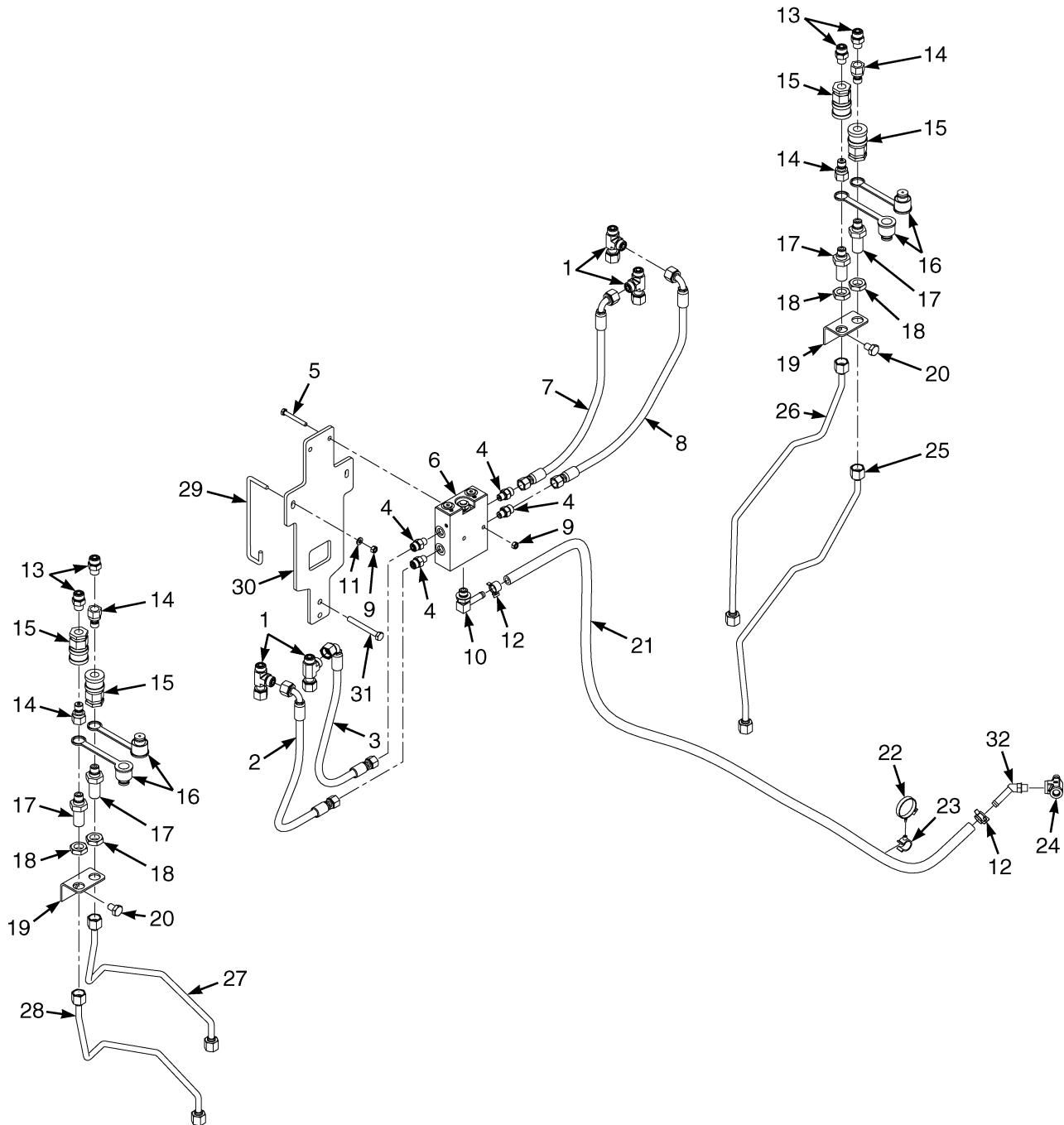
**KEY:****A: D508, D509 Three Function, Class 2****B: D508, D509 Four Function, Class 2****C: D563, D564 Three Function, Class 3****D: D563, D564 Four Function, Class 3**

ITEM	PART NO.	DESCRIPTION	QTY			
			A	B	C	D
1	<b>b</b> 1486740	Fitting .....	2	4	2	4
2	<b>b</b> 1483664	Fitting .....	2	4	2	4
3	<b>b</b> 1483661	Dust Cap .....	2	4	2	4
4	<b>b</b> 1483663	Quick Disconnect Fitting .....	2	4	2	4
5	<b>b</b> 1708364	Bulkhead (Fitting) .....	2	4	2	4
6	<b>c</b> 1550070	Bracket .....	1	2	1	2
6	<b>a</b> 1549718	Bracket .....	..	1	..	..
6	<b>a</b> 1549724	Bracket .....	..	..	..	1
7	2079987					
	4613400	Tube Assy .....	..	1	..	..
7	4616325	Tube Assy (Alternate Part) .....	..	1	..	..
7	2079994					
	4613404	Tube Assy .....	..	..	..	1
8	2079988					
	4613401	Tube Assy .....	..	1	..	..
8	4616326	Tube Assy (Alternate Part) .....	..	1	..	..
8	2079992					
	4613405	Tube Assy .....	..	..	..	1
9	2079986					
	4613399	Tube Assy .....	1	1	..	..
9	4616324	Tube Assy (Alternate Part) .....	1	1	..	..
9	2079990					
	4613403	Tube Assy .....	..	..	1	1
10	2079985					
	4613398	Tube Assy .....	1	1	..	..
10	4616420	Tube Assy (Alternate Part) .....	1	1	..	..
10	4613402	Tube Assy .....	..	..	1	1
11	<b>d</b> 1528573	Fitting .....	2	4	2	4

**FOOTNOTES:****a** Used With Integral Sideshift Carriage**b** Used With Quick Disconnect Only**c** Used With Standard Carriage**d** Without Quick Disconnect

## AUXILIARY TUBE EXTENSIONS (FIGURE 10-28)

TWO AND THREE STAGE FULL FREE-LIFT — E-HYDRAULICS WITH QUICK DISCONNECT FITTINGS  
(S/N D508V27243H →) (S/N D509V02104H →) (S/N D563V11351H →) (S/N D564V02122H →)



BP000547

**AUXILIARY TUBE EXTENSIONS**

**TWO AND THREE STAGE FULL FREE-LIFT – E-HYDRAULICS WITH QUICK DISCONNECT FITTINGS**  
(S/N D508V27243H →) (S/N D509V02104H →) (S/N D563V11351H →) (S/N D564V02122H →)

**KEY:**

- A: D508, D509 3 Function, Class 2**
- B: D508, D509 4 Function, Class 2**
- C: D563, D564 3 Function, Class 3**
- D: D563, D564 4 Function, Class 3**

ITEM	PART NO.	DESCRIPTION	QTY			
			A	B	C	D
1	1487095	Fitting .....	2	4	2	4
2	4604683	Hose Assy .....	..	1	..	1
3	4604565	Hose Assy .....	..	1	..	1
4	1486737	Fitting .....	2	4	2	4
5	292505	Capscrew .....	2	2	2	2
6	2111754	Valve (Single Auxiliary) .....	1	..	1	..
6	2111755	Valve (Dual Auxiliary) .....	..	1	..	1
7	4604566	Hose Assy .....	1	1	1	1
8	4604564	Hose Assy .....	1	1	1	1
9	1512440					
	302399	Nut .....	4	4	4	4
10	17221	Fitting .....	1	1	1	1
11	1673754	Washer .....	2	2	2	2
12	1569616	Hose Clamp .....	2	2	2	2
13	1486740	Fitting .....	2	4	2	4
14	1483664	Fitting (Quick Disconnect) .....	2	4	2	4
15	1483663	Quick Disconnect Fitting .....	2	4	2	4
16	1483661	Dust Cap .....	2	4	2	4
17	1708364	Bulkhead (Fitting) .....	2	4	2	4
18	1528602	Locknut .....	2	4	2	4
19	1550070	Bracket .....	1	2	1	2
19	a 1549718	Bracket .....	..	1	..	..
19	a 1549724	Bracket .....	..	1	..	1
20	1658934	Capscrew .....	1	2	1	2
21	110153	Hose .....	1	1	1	1
22	1644398	Clamp .....	1	1	1	1
23	1606544	Clamp .....	1	1	1	1
24	1688347	Adapter .....	1	1	1	1
25	2079985					
	4613398	Tube Assy .....	1	1	..	..
25	4616420	Tube Assy (Alternate Part) .....	1	1	..	..
25	2079992					
	4613405	Tube Assy .....	..	..	1	1
26	2079986					
	4613399	Tube Assy .....	1	1	..	..
26	4616324	Tube Assy (Alternate Part) .....	1	1	..	..
26	2079990					
	4613403	Tube Assy .....	..	..	1	1
27	2079988					
	4613401	Tube Assy .....	..	1	..	..
27	4616326	Tube Assy (Alternate Part) .....	..	1	..	..
27	2079992	Tube Assy .....	..	..	..	1

## AUXILIARY TUBE EXTENSIONS

TWO AND THREE STAGE FULL FREE-LIFT – E-HYDRAULICS WITH QUICK DISCONNECT FITTINGS  
(S/N D508V27243H →) (S/N D509V02104H →) (S/N D563V11351H →) (S/N D564V02122H →)

**KEY:**

- A: D508, D509 3 Function, Class 2
- B: D508, D509 4 Function, Class 2
- C: D563, D564 3 Function, Class 3
- D: D563, D564 4 Function, Class 3

ITEM	PART NO.	DESCRIPTION	QTY			
			A	B	C	D
28	4613405 2079987					
28	4613400	Tube Assy .....	..	1	..	..
28	4616325	Tube Assy (Alternate Part) .....	..	1	..	..
28	2079994					
29	4613404	Tube Assy .....	..	..	..	1
30	<b>a</b> 4016370	Capscrew .....	2	2	2	2
31	4013928	Bracket .....	1	1	1	1
31	1581836	Capscrew .....	2	2	2	2
32	222500	Fitting .....	1	1	1	1

**FOOTNOTES:**

- a** Use with Integral Sideshift Carriage





## SECTION 11 FIELD SERVICE KITS

DESCRIPTION	PAGE
ADD ON OPTION KITS .....	11-4
AUXILIARY EXTENSION TUBES .....	11-3
CAB KITS	
WHEN SELECTING ANY CAB KIT THE APPROPRIATE INSTALLATION KIT SHOULD ALSO BE SELECTED .....	11-2
DIRECTIONAL CONTROL CONVERSION KIT .....	11-4
HEADER HOSE CONVERSION KITS	
THREE STAGE FULL FREE LIFT (→ S/N D508V27872H) (→ S/N D563V11658H) .....	11-7
THREE STAGE FULL FREE LIFT (S/N D508V27873H →) (S/N D563V11659H →) .....	11-9
TWO STAGE FULL FREE- LIFT .....	11-11
TWO STAGE LIMITED FREE LIFT .....	11-5
HYDRAULIC VALVE CONVERSION KIT .....	11-2
LIGHT KITS .....	11-4
MISCELLANEOUS ADD-ON OPTION KITS .....	11-2

**HYDRAULIC VALVE CONVERSION KIT**

DESCRIPTION	PART NUMBER
Kit Manual lever 3 way w/o clamping to with clamping	a1703836
Kit-Hyd Valve 3 to 4 Way Hydraulic Valve without Clamp to 4 Way with Clamp, (Low Hood)	a4004115
Kit-Hyd Valve 3 to 4 Way (without Clamp to 4 Way with Clamp. High Hood)	a4004248
Kit-E-Hyd Valve 3 to 4 Way (without Clamp to 4 Way with Clamp)	a4004319
Kit-Hyd Valve 3 to 4 Way (without Clamp to 4 Way without Clamp, Low Hood)	a4004260
Kit-Hyd Valve 3 to 4 Way (without Clamp to 4 Way without Clamp, High Hood)	a4004261
Kit-E-Hyd Valve 3 to 4 Way (without Clamp to 4 Way without Clamp)	a4004317
Kit-E-Hyd Valve 3 to 4 Way (With Clamp to 4 Way Without Clamp)	a4004361
Kit Manual Lever Conversion 4 Way w/o clamping to with clamping	1703839

**FOOTNOTES:**

**a** Kits require software that must be dealer installed

**MISCELLANEOUS ADD-ON OPTION KITS**

DESCRIPTION	PART NUMBER
DC-DC Converter (72/80V)	4004108
Kit (Dual Mirrors)	4004346
Kit (Panoramic Mirrors)	4004347
Kit-Impact Monitoring (Kits require software that must be dealer installed)	4004397
Kit (Return to set Tilt)(Kits require software that must be dealer installed)	4004183
Kit (12V Power Outlet)	4004256

**CAB KITS**

**WHEN SELECTING ANY CAB KIT THE APPROPRIATE INSTALLATION KIT SHOULD ALSO BE SELECTED**

DESCRIPTION	PART NUMBER
Kit-Front Screen (Front)	ab1661809
Roof Panel	1661828
Kit-Rear Screen	a1662170
Kit-Door (Vertical Battery Removal)	1695798
Kit-Door (Horizontal Battery Removal)	1698821
Door Pvc (Standard Vertical Battery Removal)	2109636
Door Pvc (High Horizontal Battery Removal)	2109637
Headliner	1691921
Kit-Wiper (Washer)	2109638
Kit-Cab Heater	2109639 4607951
Kit (Mounting Front Panel)	4005594



**CAB KITS**

**WHEN SELECTING ANY CAB KIT THE APPROPRIATE INSTALLATION KIT SHOULD ALSO BE SELECTED  
(CONTINUED)**

DESCRIPTION	PART NUMBER
Kit (Mounting Top Screen)	4005600
Kit (Mounting Rear Screen)	4005602
Kit (Mounting Steel Doors)	4005611
Kit (Mounting PVC Doors)	4005612
Kit (Mounting Roof Liner)	4005614
Kit (Mounting Front Wiper/Washer)	4005615
Kit (Mounting Heater)	4005616
Kit (Dome Light Cab Only)	4005617
Kit (Rear wiper switch mounting without head liner)	4005620

**FOOTNOTES:**

- a** When ordering Front or Rear Screen Kits a Window Wiper and Washer Kit is required  
**b** with backward tilt of 5 degrees or less

**AUXILIARY EXTENSION TUBES**

DESCRIPTION	PART NUMBER
Kit-Quick Disconnect Fitting Manual Hydraulics for Two Stage LFL Mast (C661 Mast Series)	1550257
Kit-Aux Tube Extension (Three Function, Class II, Std Carriage, 2 and 3 FFL, 40-55)	1550261
Kit-Aux Tube Extension (Four Function, Class II, Std Carriage, 2 and 3 FFL, 40-55)	1550262
Kit-Aux Tube Extension (Three Function, Class II, Side-Shift Carriage, 2 and 3 FFL, 40-55)	1550265
Kit-Aux Tube Extension (Four Function, Class II, Side-Shift Carriage, 2 and 3 FFL, 40-55)	1550266
Kit-Aux Tube Extension (Three Function, Class III, Std Carriage, 2 and 3 FFL, 60-70)	1550263
Kit-Aux Tube Extension (Four Function, Class III, Std Carriage, 2 and 3 FFL, 60-70)	1550264
Kit-Aux Tube Extension (Three Function, Class III, Side-Shift Carriage, 2 and 3 FFL, 60-70)	1550267
Kit-Aux Tube Extension (Four Function, Class III, Side-Shift Carriage, 2 and 3 FFL, 60-70)	1550268
Kit-Aux Tube Extension (Three Function, Class II Std Carriage, 2 LFL, 40-55)	1606597
Kit-Aux Tube Extension (Four Function, Class II, Std Carriage, 2 LFL, 40-55)	1606598
Kit-Aux Tube Extension (Three Function, Class II, Side-Shift Carriage, 2 LFL, 40-55)	1606601
Kit-Aux Tube Extension (Four Function, Class II, Side-Shift Carriage, 2 LFL, 40-55)	1606602
Kit-Aux Tube Extension (Three Function, Class III, Std Carriage, 2 LFL, 60-70)	1606599
Kit-Aux Tube Extension (Four Function, Class III, Std Carriage, 2 LFL, 60-70)	1606600
Kit-Aux Tube Extension (Three Function, Class III, Side-Shift Carriage, 2 LFL, 60-70)	1606603
Kit-Aux Tube Extension (Four Function, Class III, Side-Shift Carriage, 2 LFL, 60-70)	1606604

**AUXILIARY EXTENSION TUBES (CONTINUED)**

DESCRIPTION	PART NUMBER
Kit (Quick Connect Fittings Single Auxiliary E-Hydraulics)	4018149
Kit (Quick Disconnect Fittings Dual Auxiliary with E-Hydraulics)	4018150
Kit (Quick Disconnect Fittings Single Auxiliary E-Hydraulics)	4018746

**LIGHT KITS**

DESCRIPTION	PART NUMBER
Kit-Tail Light (With Lights Without Tail Lights)	4009204
Kit-Tail Light (Without Lights Without Tail Lights)	4009205
Kit-Strobe Light (With Lights)	4009166
Kit-Strobe Light (Without Lights)	4009167
Kit-Worklight (12V Glass Lens without Lights)	4009272
Kit-Worklight (LED Plastic Lens without lights)	4009273
Kit-Back-UP Alarm (82-102DB)	4004178
Kit-Turn Light w/o Telescopic Steering	1707886
Kit-Turn Light with Telescopic Steering	1707885
Kit-Worklight (LED Mast)	4030074
Kit-Worklight (LED Mast w/OHG)	4030079

**ADD ON OPTION KITS**

DESCRIPTION	PART NUMBER
Kit Fixed to Telescopic Steering Column	4003759
Kit Keyless Start with Key Switch	4004180
Kit Keyless Start without Key Switch	4009858
Kit-Turn Light with Telescopic Steering	4027527
Kit-Turn Light w/o Telescopic Steering	4027528

**DIRECTIONAL CONTROL CONVERSION KIT**

DESCRIPTION	PART NUMBER
Kit-FDC to Fwd/Rev Lever Switch (Manual Hydraulics)	1703835
Kit-Fwd/Rev Lever to FDC Switch (E-Hydraulic)	1703944
Kit-Fwd/Rev Lever to FDC Switch (Manual Hydraulics)	1703941
Kit-FDC to Fwd/Rev Lever Switch (E-Hydraulic)	1703953

**HEADER HOSE CONVERSION KITS  
TWO STAGE LIMITED FREE LIFT****THREE TO FOUR FUNCTION (D507)**

DESCRIPTION	LIFT HEIGHT TO BOTTOM OF FORKS				
	3352 mm (132.0 in.)	3552 mm (139.8 in.)	3752 mm (147.7 in.)	4292 mm (169.0 in.)	4792 mm (188.7 in.)
<b>Mast Group Number</b>	<b>D507 3352</b>	<b>D507 3552</b>	<b>D507 3752</b>	<b>D507 4292</b>	<b>D507 4792</b>
Kit-Hose Group 3 to 4 Way	1584978	4004904	1605294	1605298	1605302

**THREE TO FOUR FUNCTION (D562)**

DESCRIPTION	LIFT HEIGHT TO BOTTOM OF FORKS				
	3159 mm (124.4 in.)	3359 mm (132.2 in.)	3559 mm (140.1 in.)	4059 mm (159.8 in.)	4559 mm (179.5 in.)
<b>Mast Group Number</b>	<b>D562 3159</b>	<b>D562 3359</b>	<b>D562 3559</b>	<b>D562 4059</b>	<b>D562 4559</b>
Kit-Hose Group 3 to 4 Way	1584978	4004904	1605294	1605298	1605302

**TWO TO FOUR FUNCTION (D507)**

DESCRIPTION	LIFT HEIGHT TO BOTTOM OF FORKS				
	3352 mm (132.0 in.)	3552 mm (139.8 in.)	3752 mm (147.7 in.)	4292 mm (169.0 in.)	4792 mm (188.7 in.)
<b>Mast Group Number</b>	<b>D507 3352</b>	<b>D507 3552</b>	<b>D507 3752</b>	<b>D507 4292</b>	<b>D507 4792</b>
Kit-Hose Group 2 to 4 Way	1584979	4004948	4005174	4005175	1705104

**TWO TO FOUR FUNCTION (D562)**

DESCRIPTION	LIFT HEIGHT TO BOTTOM OF FORKS				
	3159 mm (124.4 in.)	3359 mm (132.2 in.)	3559 mm (140.1 in.)	4059 mm (159.8 in.)	4559 mm (179.5 in.)
<b>Mast Group Number</b>	<b>D562 3159</b>	<b>D562 3359</b>	<b>D562 3559</b>	<b>D562 4059</b>	<b>D562 4559</b>
Kit-Hose Group 2 to 4 Way	1584979	4004948	4005174	4005175	1705104

**TWO TO THREE FUNCTION (D507)**

DESCRIPTION	LIFT HEIGHT TO BOTTOM OF FORKS				
	3352 mm (132.0 in.)	3552 mm (139.8 in.)	3752 mm (147.7 in.)	4292 mm (169.0 in.)	4792 mm (188.7 in.)
<b>Mast Group Number</b>	<b>D507 3352</b>	<b>D507 3552</b>	<b>D507 3752</b>	<b>D507 4292</b>	<b>D507 4792</b>
Kit-Hose Group 2 to 3 Way	1584977	4004903	1605293	1605297	1605301

**TWO TO THREE FUNCTION (D562)**

DESCRIPTION	LIFT HEIGHT TO BOTTOM OF FORKS				
	3159 mm (124.4 in.)	3359 mm (132.2 in.)	3559 mm (140.1 in.)	4059 mm (159.8 in.)	4559 mm (179.5 in.)
<b>Mast Group Number</b>	<b>D562 3159</b>	<b>D562 3359</b>	<b>D562 3559</b>	<b>D562 4059</b>	<b>D562 4559</b>
Kit-Hose Group 2 to 3 Way	1584977	4004903	1605293	1605297	1605301

**HEADER HOSE CONVERSION KITS**  
**THREE STAGE FULL FREE LIFT (→ S/N D508V27872H) (→ S/N D563V11658H)**

**THREE TO FOUR FUNCTION (D508)**

DESCRIPTION	LIFT HEIGHT TO BOTTOM OF FORKS			
	4910 mm (193.3 in.)	5210 mm (205.1 in.)	5510 mm (216.9 in.)	5960 mm (234.6 in.)
<b>Mast Group Number</b>	<b>D508 4910</b>	<b>D508 5210</b>	<b>D508 5510</b>	<b>D508 5960</b>
Kit-Hose Group 3 to 4 Way	1585193	1605310	1585199	1612042

**THREE TO FOUR FUNCTION (D563)**

DESCRIPTION	LIFT HEIGHT TO BOTTOM OF FORKS			
	4568 mm (179.8 in.)	4868 mm (191.7 in.)	5168 mm (203.5 in.)	5768 mm (227.1 in.)
<b>Mast Group Number</b>	<b>D563 4568</b>	<b>D563 4868</b>	<b>D563 5168</b>	<b>D563 5768</b>
Kit-Hose Group 3 to 4 Way	1585193	1605310	1585199	1585205

**TWO TO FOUR FUNCTION (D508)**

DESCRIPTION	LIFT HEIGHT TO BOTTOM OF FORKS			
	4910 mm (193.3 in.)	5210 mm (205.1 in.)	5510 mm (216.9 in.)	5960 mm (234.6 in.)
<b>Mast Group Number</b>	<b>D508 4910</b>	<b>D508 5210</b>	<b>D508 5510</b>	<b>D508 5960</b>
Kit-Hose Group 2 to 4 Way	1585194	4004951	1585200	1705105

**TWO TO FOUR FUNCTION (D563)**

DESCRIPTION	LIFT HEIGHT TO BOTTOM OF FORKS			
	4568 mm (179.8 in.)	4868 mm (191.7 in.)	5168 mm (203.5 in.)	5768 mm (227.1 in.)
<b>Mast Group Number</b>	<b>D563 4568</b>	<b>D563 4868</b>	<b>D563 5168</b>	<b>D563 5768</b>
Kit-Hose Group 2 to 4 Way	1585194	4004951	1585200	1585206

**TWO TO THREE FUNCTION (D508)**

DESCRIPTION	LIFT HEIGHT TO BOTTOM OF FORKS			
	4910 mm (193.3 in.)	5210 mm (205.1 in.)	5510 mm (216.9 in.)	5960 mm (234.6 in.)
<b>Mast Group Number</b>	<b>D508 4910</b>	<b>D508 5210</b>	<b>D508 5510</b>	<b>D508 5960</b>
Kit-Hose Group 2 to 3 Way	1585192	1605309	1585198	1612041

**TWO TO THREE FUNCTION (D563)**

DESCRIPTION	LIFT HEIGHT TO BOTTOM OF FORKS			
	4568 mm (179.8 in.)	4868 mm (191.7 in.)	5168 mm (203.5 in.)	5768 mm (227.1 in.)
<b>Mast Group Number</b>	<b>D563 4568</b>	<b>D563 4868</b>	<b>D563 5168</b>	<b>D563 5768</b>
Kit-Hose Group 2 to 3 Way	1585192	1605309	1585198	1585204

**HEADER HOSE CONVERSION KITS**  
**THREE STAGE FULL FREE LIFT (S/N D508V27873H →) (S/N D563V11659H →)**

**D508 THREE TO FOUR FUNCTION**

DESCRIPTION	LIFT HEIGHT TO BOTTOM OF FORKS			
	4910 mm (193.3 in.)	5210 mm (205.1 in.)	5510 mm (216.9 in.)	5960 mm (234.6 in.)
<b>Mast Group Number</b>	<b>D508 4910</b>	<b>D508 5210</b>	<b>D508 5510</b>	<b>D508 5960</b>
Kit-Hose Group 3 TO 4 Way	4046874	4046892	4046898	4046907

**D508 TWO TO FOUR FUNCTION**

DESCRIPTION	LIFT HEIGHT TO BOTTOM OF FORKS			
	4910 mm (193.3 in.)	5210 mm (205.1 in.)	5510 mm (216.9 in.)	5960 mm (234.6 in.)
<b>Mast Group Number</b>	<b>D508 4910</b>	<b>D508 5210</b>	<b>D508 5510</b>	<b>D508 5960</b>
Kit-Hose Group 2 TO 4 Way	4046887	4046893	4046899	4046908

**D508 TWO TO THREE FUNCTION**

DESCRIPTION	LIFT HEIGHT TO BOTTOM OF FORKS			
	4910 mm (193.3 in.)	5210 mm (205.1 in.)	5510 mm (216.9 in.)	5960 mm (234.6 in.)
<b>Mast Group Number</b>	<b>D508 4910</b>	<b>D508 5210</b>	<b>D508 5510</b>	<b>D508 5960</b>
Kit-Hose Group 2 TO 3 Way	4046873	4046891	4046897	4046906

**D563 THREE TO FOUR FUNCTION**

DESCRIPTION	LIFT HEIGHT TO BOTTOM OF FORKS			
	4568 mm (179.8 in.)	4868 mm (191.7 in.)	5168 mm (203.5 in.)	5768 mm (227.1 in.)
<b>Mast Group Number</b>	<b>D563 4568</b>	<b>D563 4868</b>	<b>D563 5168</b>	<b>D563 5768</b>
Kit-Hose Group 3 TO 4 Way	4046874	4046892	4046898	4046910

**D563 TWO TO FOUR FUNCTION**

DESCRIPTION	LIFT HEIGHT TO BOTTOM OF FORKS			
	4568 mm (179.8 in.)	4868 mm (191.7 in.)	5168 mm (203.5 in.)	5768 mm (227.1 in.)
<b>Mast Group Number</b>	<b>D563 4568</b>	<b>D563 4868</b>	<b>D563 5168</b>	<b>D563 5768</b>
Kit-Hose Group 2 TO 4 Way	4046887	4046893	4046899	4046911

**D563 TWO TO THREE FUNCTION**

DESCRIPTION	LIFT HEIGHT TO BOTTOM OF FORKS			
	4568 mm (179.8 in.)	4868 mm (191.7 in.)	5168 mm (203.5 in.)	5768 mm (227.1 in.)
<b>Mast Group Number</b>	<b>D563 4568</b>	<b>D563 4868</b>	<b>D563 5168</b>	<b>D563 5768</b>
Kit-Hose Group 2 TO 3 Way	4046873	4046891	4046897	4046909



**HEADER HOSE CONVERSION KITS  
TWO STAGE FULL FREE- LIFT****THREE TO FOUR FUNCTION (D509)**

DESCRIPTION	LIFT HEIGHT TO BOTTOM OF FORKS			
	3362 mm (132.4 in.)	3562 mm (140.2 in.)	3762 mm (148.1 in.)	4382 mm (172.5 in.)
<b>Mast Group Number</b>	<b>D509 3362</b>	<b>D509 3562</b>	<b>D509 3762</b>	<b>D509 4382</b>
Kit-Hose Group 3 to 4 Way	1605306	4004959	4005178	4005184

**THREE TO FOUR FUNCTION (D564)**

DESCRIPTION	LIFT HEIGHT TO BOTTOM OF FORKS			
	3160 mm (124.4 in.)	3360 mm (132.3 in.)	3860 mm (152.0 in.)	4360 mm (171.7 in.)
<b>Mast Group Number</b>	<b>D564 3160</b>	<b>D564 3360</b>	<b>D564 3860</b>	<b>D564 4360</b>
Kit-Hose Group 3 to 4 Way	1605306	4004959	4005181	4005187

**TWO TO FOUR FUNCTION (D509)**

DESCRIPTION	LIFT HEIGHT TO BOTTOM OF FORKS			
	3362 mm (132.4 in.)	3562 mm (140.2 in.)	3762 mm (148.1 in.)	4382 mm (172.5 in.)
<b>Mast Group Number</b>	<b>D509 3362</b>	<b>D509 3562</b>	<b>D509 3762</b>	<b>D509 4382</b>
Kit-Hose Group 2 to 4 Way	1705108	4004960	4005179	4005185

**TWO TO FOUR FUNCTION (D564)**

DESCRIPTION	LIFT HEIGHT TO BOTTOM OF FORKS			
	3160 mm (124.4 in.)	3360 mm (132.3 in.)	3860 mm (152.0 in.)	4360 mm (171.7 in.)
<b>Mast Group Number</b>	<b>D564 3160</b>	<b>D564 3360</b>	<b>D564 3860</b>	<b>D564 4360</b>
Kit-Hose Group 2 to 4 Way	1705108	4005322	4005182	4005188

**TWO TO THREE FUNCTION (D509)**

DESCRIPTION	LIFT HEIGHT TO BOTTOM OF FORKS			
	3362 mm (132.4 in.)	3562 mm (140.2 in.)	3762 mm (148.1 in.)	4382 mm (172.5 in.)
<b>Mast Group Number</b>	<b>D509 3362</b>	<b>D509 3562</b>	<b>D509 3762</b>	<b>D509 4382</b>
Kit-Hose Group 2 to 3 Way	1605305	4004958	4005177	4005183

**TWO TO THREE FUNCTION (D564)**

DESCRIPTION	LIFT HEIGHT TO BOTTOM OF FORKS			
	3160 mm (124.4 in.)	3360 mm (132.3 in.)	3860 mm (152.0 in.)	4360 mm (171.7 in.)
<b>Mast Group Number</b>	<b>D564 3160</b>	<b>D564 3360</b>	<b>D564 3860</b>	<b>D564 4360</b>
Kit-Hose Group 2 to 3 Way	1605305	4005321	4005180	4005186





**SECTION 12  
NUMERICAL INDEX**

<b>PART NO.</b>	<b>PAGE</b>	<b>ITEM</b>	<b>PART NO.</b>	<b>PAGE</b>	<b>ITEM</b>	<b>PART NO.</b>	<b>PAGE</b>	<b>ITEM</b>	<b>PART NO.</b>	<b>PAGE</b>	<b>ITEM</b>
12891	7-15	4		6-41	4	19937	5-9	19	118358	4-5	5
	9-21	3		6-41	5	26284	2-47	7	119236	6-3	16
	10-17	8		7-7	10	37752	7-5	8		6-13	21
	10-21	3		7-7	12		8-5	12	124297	5-5	20
12921	6-21	5		8-11	4		8-5	13	127045	6-3	3
13957	4-3	22		8-11	6		8-20	21		6-13	23
13963	4-3	30		8-19	12		9-13	22	129361	7-7	4
14603	9-7	7		9-7	2	39374	6-45	3	129387	7-3	7
15177	1-31	13		9-7	4	39678	4-3	29		7-5	4
	1-38	35		9-7	10	44542	4-3	15		8-3	7
15211	7-7	5		9-13	2	46388	6-45	7		8-5	7
	7-15	10		9-13	14	55434	6-43	11		8-9	4
	8-12	19	16486	6-13	3	58901	7-3	8		8-35	4
	8-20	20		6-37	5		7-5	3		9-3	7
	8-35	10		8-11	12		8-3	8		9-5	4
	9-14	25		9-7	7		8-5	8		10-19	5
	9-21	10	16487	6-17	10		8-9	3	129563	1-32	26
	10-17	1	16540	10-37	14		8-35	3		1-38	38
	10-19	17		10-51	14		9-3	8	129888	2-113	7
	10-21	17	16925	10-33	11		9-5	3	130845	6-3	17
15223	8-12	25		10-35	11		10-19	3		6-13	16
15227	4-3	14	16982	6-13	5	58903	4-3	23	131358	7-7	1
15880	8-24	12		7-7	15	58908	6-21	2		7-15	5
	9-18	12		9-7	8	59229	7-12	12		8-11	1
16001	7-3	10	16984	6-13	7		8-16	15		8-20	40
	8-3	10	17221	10-43	13		9-9	9		8-35	8
	9-3	10		10-55	10		9-11	7		9-7	18
16040	6-45	13	18089	6-31	9	60563	6-43	11		9-13	3
16041	6-43	6		6-33	15	66359	5-5	6		9-21	8
	10-17	14	18096	6-31	9	69029	4-3	4		10-17	3
	10-19	11		6-33	15	85767	10-43	24		10-19	12
	10-21	11	18462	1-32	16		10-49	15		10-21	12
16046	6-47	17		1-38	32	88431	8-20	26	131715	8-3	4
16375	1-32	15		1-43	17		9-13	21	131716	7-3	4
	1-37	27		1-45	19	88436	9-13	21		8-3	4
16481	5-11	8	18471	1-32	17	88446	7-7	4		8-5	4
	6-9	18		1-38	31	90263	8-24	12		9-3	4
	6-35	5		1-43	19		9-18	12	132861	6-13	1
	6-41	11		1-45	16	92861	7-12	12	134675	6-43	8
16483	4-10	5	18562	1-32	15		8-16	15	135588	8-11	18
	6-33	1	18735	1-31	9	104506	7-3	3	135619	9-13	21
	6-35	12		1-37	25		8-3	3	135657	4-3	18
	6-41	1	18738	1-43	13		8-5	3	135658	4-3	19
	10-37	14		1-45	14		9-3	3	136681	1-75	3
	10-51	14	18832	10-17	19	110153	10-55	21	136687	1-17	14
16484	6-35	9		10-19	20	114312	1-32			1-69	5
	6-41	10		10-21	20		1-38			1-71	10
16485	6-17	11	19901	1-31	10		10-28	3		1-73	10
	6-33	4		1-38	33		10-29	3		10-12	1

## NUMERICAL INDEX (continued)

PART NO.	PAGE	ITEM	PART NO.	PAGE	ITEM	PART NO.	PAGE	ITEM	PART NO.	PAGE	ITEM
136692	6-21	16	147973	4-5	6		2-32	21	222500	10-43	27
136749	1-59			6-47	10		2-36	18		10-49	16
	1-77	19		8-24	13		2-36	19		10-56	32
	2-31	11		9-18	13		2-36	20	222522	2-19	3
	2-35	10	148606	10-5	11		2-36	21	222681	6-47	2
137852	1-32	30	148611	2-113	1		2-36	22	223389	8-20	26
	1-38	42	153069	6-7	5		2-36	23	225065	1-9	9
	2-51	2	153667	1-7	8	190810	2-31	1	226458	10-21	10
	2-51	17	153716	4-3	21		2-31	1	227132	6-25	12
	2-52	18	153717	4-3	20		2-31	10	227147	2-13	10
	2-52	21	154355	8-19	11		2-31	12		2-15	13
	2-52	27		9-13	13		2-32	13	227157	1-43	1
	2-52	28	154375	6-45	8		2-32	14		1-45	3
	2-55	3	161003	7-7	9		2-35	1		1-45	11
	2-56	15		8-12	23		2-35	1	230132	2-39	1
	2-56	18		8-19	16		2-35	13		2-39	1
	2-59	4		9-14	27		2-35	14		2-40	1
	2-60	17	164474	8-20	26		2-35	15	233141	2-100	3
	2-60	19	164639	4-3	11		2-35	16		2-100	4
	2-60	25	164840	8-24	13		2-39	1		2-105	4
	2-60	26		9-18	13		2-39	1		2-106	8
	2-60	27	169874	1-32	21	190811	2-40	1	233693	6-33	4
	2-63	4		1-37	21	190887	8-23	3		6-41	4
	2-63	15		1-43	18		9-9	3	235691	6-35	9
	2-64	25		1-45	21		9-11	3		6-41	10
	2-68	6	170658	1-27	4		9-17	3	237812	6-47	6
	2-68	8	175944	2-99	7	194368	2-35	9	239503	2-19	9
	2-68	9	176640	1-59	22		2-35	9		10-33	8
	2-68	12		10-35		199852	6-47	3		10-35	8
	2-69	18	178119	9-13	17	200659	6-13	5	246994	7-7	4
	2-69	22	180217	8-20	26	204128	6-35	5	248196	2-51	11
	2-69	26	181899	4-10	2		6-41	11		2-59	15
	2-69	29	183614	4-3	9	215211	7-3	5		2-69	16
	2-74	7	183615	4-3	10		8-3	5		2-69	27
	2-74	8	185856	4-3	33		8-5	5		2-79	15
	2-74	12	185857	4-3	32		9-3	5		2-79	26
	2-75	23	185858	4-3	31	216590	6-41	5	252729	7-7	10
	2-78	6	185860	4-3	17	216895	1-15	4		7-7	12
	2-78	7	187388	7-12	7	221353	1-31	11		7-8	15
	2-78	9		8-16	8		1-38	34		7-8	16
	2-79	17		8-23	4	221739	6-17	5		8-11	4
	2-79	21		9-17	4	221771	1-85	4	257913	7-12	4
	2-79	25	190383	1-65	4	221904	2-15	4		8-16	5
	2-79	28	190580	7-12	5	222021	1-5	20		8-23	7
	2-84	7		8-16	6		1-7	3		9-17	7
	2-84	8		8-23	6	222029	2-15		265787	4-10	5
	2-84	12		9-17	6	222442	6-15	7		6-5	14
	2-85	25	190808	2-32	15		6-35	5		6-9	17
	9-24	29		2-32	16		6-41	11		6-29	2
142247	6-43	8		2-32	18	222443	6-33	1		10-37	2
147972	9-9	10		2-32	19		6-35	12		10-37	8
	9-11	8		2-32	20		6-41	1		10-37	12

**NUMERICAL INDEX (continued)**

<b>PART NO.</b>	<b>PAGE</b>	<b>ITEM</b>	<b>PART NO.</b>	<b>PAGE</b>	<b>ITEM</b>	<b>PART NO.</b>	<b>PAGE</b>	<b>ITEM</b>	<b>PART NO.</b>	<b>PAGE</b>	<b>ITEM</b>
	10-51	8	287851	1-11	1	296228	1-7	22		8-3	9
	10-51	12	288474	6-33	7	296229	1-5	23		9-3	9
266733	4-3	28	292500	1-51	9	296241	1-19	11	302008	1-52	3
268619	4-5	7		1-71	8	296243	1-19	11		2-19	11
	6-47	9	292501	1-59	19	296244	1-19	16	302010	1-17	20
273775	10-35	14	292505	2-40	5	296245	1-19	11	302020	1-65	5
275493	2-15	10		2-40	8	296247	1-19	16		2-19	7
	2-51	5		10-43	6	296248	1-19	16	302026	2-13	8
	2-55	4		10-49	6	296354	2-5	21		2-15	14
	2-59	8		10-55	5	296357	1-32	29	302027	2-9	9
	2-63	16	292506	2-39	2		1-38	41		2-13	8
	2-91	3	292509	10-33	12	296358	2-19	4		2-15	14
	2-99	4		10-35	12	296360	1-11	14		10-6	2
	2-105	5	292527	1-21	8		1-43		302047	1-63	14
	2-106	3	292568	1-17	16		1-45	5	302231	1-65	10
	2-115	2	292570	5-5	8		1-45	13	302398	2-47	4
	2-119	6	292660	1-9	7	296377	1-47	8		5-9	18
275494	2-51	3		3-5	4		1-49	8	302399	2-40	2
	2-55	2	292681	2-31	11	296379	10-12	2		5-9	2
	2-59	10		2-35	11	296380	1-43			10-43	11
	2-63	5		6-13	2		2-39	6		10-49	9
	2-91	4		10-33	9	296381	1-15	7		10-55	9
	2-96	2		10-35	9	296418	1-11	13	302400	1-7	25
	2-99	9	292682	6-21	15	296419	1-55	9		1-11	4
	2-100	2	293628	4-3	34		6-21	32	302401	5-9	5
	2-105	3	293686	4-3	3	296423	1-85	3		6-26	45
	2-106	6		4-3	47	296426	10-21	9	302402	1-5	13
	2-109	5	293738	3-5	3	296427	4-3	46		1-7	17
	2-111	3	293762	6-21	24	296429	5-5	9	302461	8-20	23
	2-119	1	293774	3-15	5	296434	1-9	5		8-28	33
275495	2-52	23		3-17	5		3-5	2		8-31	17
	2-55	11	295649	9-9	2	296519	1-75	8		9-14	24
	2-59	3		9-11	2	297531	7-12	6		9-24	32
	2-63	3	296010	6-21	27		8-16	7	302462	7-5	9
	2-99	2	296042	3-17	6		8-23	5		8-5	9
	2-106	4	296073	3-15	3		9-17	5	302467	1-9	3
275496	2-51	14		3-17	3	297538	8-23	7	302487	10-31	
	2-56	22	296144	4-3	37		9-17	7	304526	8-20	22
	2-60	21	296151	6-26	43	297649	7-7	8		9-14	23
	2-63	11	296153	2-5	19		8-12	22	307256	1-5	26
	2-91	7		2-13	6		8-19	17	307975	2-31	1
	2-99	5	296154	1-13	21		9-14	26		2-31	1
275497	2-56	16		1-19	13	298132	2-31	7		2-31	2
	2-63	19	296163	1-11	15		2-35	4		2-31	3
275498	2-52	29	296165	1-11	1	298829	6-3	6		2-31	3
	2-61	35		1-43	6		6-13	30		2-31	9
	2-63	6		1-45	7	300751	4-3	24		2-31	10
	2-96	4	296166	1-43		300752	4-3	26		2-31	12
280154	6-13	31		5-9	4	300937	1-85	5		2-32	13
	6-17	11	296167	5-9	12	300982	6-45	14		2-32	14
284373	6-17	7	296175	5-9	8		6-47	15	309062	8-23	9
287816	1-69	3	296181	1-19	2		7-3	9		9-17	9

## NUMERICAL INDEX (continued)

PART NO.	PAGE	ITEM	PART NO.	PAGE	ITEM	PART NO.	PAGE	ITEM	PART NO.	PAGE	ITEM
309109	6-26	51		10-35	10		10-19	2		2-68	3
313828	1-43	7	320159	6-26	44	366116	7-15	3		2-78	3
	1-45	6	320160	1-43	9		9-21	5	1324310	2-52	25
	1-45	12		1-45	26		10-17	7		2-61	30
	5-2	3		5-9	6		10-21	2		2-68	3
	5-3	3		6-37	22	369218	2-19	5		2-78	3
314775	2-106	9	320161	6-13	14	369242	5-2	2	1325119	6-43	9
314878	2-19	14	320165	1-5	6		5-3	2	1325120	6-43	9
	2-41	5		1-5	6		10-12	6	1328205	1-27	8
	10-5	13		1-7	16	369812	4-3	35	1329149	2-56	19
316448	1-25	4	320166	1-3	16	370599	1-13	29		2-75	19
316826	1-43	10	320167	1-5	25	375629	10-12	7		2-85	19
	1-45	25	320169	1-5	28	377440	5-9	16	1329150	2-56	19
316828	1-17	17	322824	7-12	14	378177	6-43	10		2-75	19
316834	1-77	23		8-16	14	378386	2-39	1		2-85	19
316835	1-73	5	322902	7-12	11	380719	3-9	3	1329151	2-51	17
	1-77	13		8-16	12	381919	2-105	2		2-56	19
317075	4-3	7	323090	7-8	19	382796	3-9	6		2-59	17
317076	4-3	8		8-11	16		3-15	8		2-69	26
317735	8-35	7		9-7	13	386422	7-15			2-75	19
	9-21	7	325182	1-13	26	389688	1-27	2		2-79	25
	10-19	16		6-5	5	397676	8-32	22		2-85	19
	10-21	16	325616	8-20	27	636941	8-23	8	1329152	2-51	17
320076	8-11	18	325810	2-19	10		9-17	8		2-60	17
320152	1-52	4	326004	1-7	6	637565	8-24	10		2-69	26
	1-65	9		1-7	26		9-18	10		2-79	25
	2-19	12	326479	3-15	4	638246	7-12	1	1330281	2-51	17
320154	1-65	6		3-17	4		8-16	1		2-59	17
320155	1-13	20	329069	1-5	14	893818	1-37	14		2-69	26
320156	1-51	10		1-7	14	986599	9-13	21		2-79	25
	1-57	12	332929	6-43	10	1300579	2-35	2	1330355	2-52	18
	1-59	18	334156	7-12	2	1301784	2-87	11		2-60	19
	1-61	25		8-16	2		2-91	12		2-70	29
	1-63	16	335012	7-12	1		10-5	9		2-79	28
	1-63	16		8-16	1	1301870	7-7	4	1330409	2-41	8
	1-69	4	335041	8-11	18	1302024	2-9	14		2-106	2
	1-71	9	336393	7-7	4	1302427	2-31	2		2-115	5
	1-73	9	337174	8-11	18	1307244	6-21	11		2-115	7
	1-77	24	349269	6-43	10	1308259	2-106	9	1330411	2-48	5
	2-40	3	350996	1-52	5	1308451	1-9	6		2-93	1
	2-40	7		2-19	13	1310142	2-41	3		2-100	1
320157	1-51	3	356505	8-19	10	1314299	2-21	1		2-115	1
	1-59	21		9-13	12	1319668	7-12	16	1330413	2-86	3
	1-75	4	364537	2-31	1		8-16	17		2-87	3
320158	1-7	24		2-31	1		9-9	11		2-91	5
	1-11	3		2-31	9		9-11	11		2-94	1
	1-73	4		2-31	10	1323576	2-109	4		2-96	1
	1-77	5		2-35	1	1323579	2-56	19		2-104	1
	2-31	11		2-35	1		2-75	19	1330414	2-41	8
	2-35	12		2-35	9		2-85	19		2-91	16
	6-9	12		2-35	9	1324309	2-52	25		2-92	18
	10-33	10	366115	8-35	5		2-61	30		2-92	23



**NUMERICAL INDEX (continued)**

<b>PART NO.</b>	<b>PAGE</b>	<b>ITEM</b>	<b>PART NO.</b>	<b>PAGE</b>	<b>ITEM</b>	<b>PART NO.</b>	<b>PAGE</b>	<b>ITEM</b>	<b>PART NO.</b>	<b>PAGE</b>	<b>ITEM</b>
	2-92	25	1330424	2-48	1		2-88	12		2-35	4
	2-106	2		2-51	6		2-91	1		6-7	7
	2-115	5		2-59	11		2-91	9	1339828	1-25	5
	2-115	7		2-69	18		2-91	10	1339832	1-25	2
	2-119	7		2-79	17		2-91	13	1340998	5-5	7
	2-119	8		2-88	12		2-91	14	1342116	9-13	21
1330415	2-47	8		2-91	13		2-91	17	1342124	8-11	18
	2-111	5		2-104	8		2-92	24	1342127	8-11	18
1330416	2-48	5		2-115	4		2-92	26	1342129	8-11	18
	2-93	1		2-115	6		2-103	1	1342132	8-11	18
	2-100	1		10-5	7		2-104	5	1342377	9-13	21
	2-111	1	1330426	2-48	7		2-104	8	1342378	8-20	26
	2-115	1	1330427	2-56	18		2-105	1	1342380	8-20	26
1330418	2-86	3		2-63	15		2-106	7		9-13	21
	2-87	3		2-74	12		2-111	2	1342381	8-20	26
	2-91	5		2-84	12		2-119	3	1342382	9-13	21
	2-94	1		2-87	1		2-119	4	1342384	7-7	4
	2-96	1		2-87	8	1330439	2-79	23		8-20	26
	2-99	1		2-91	1		2-87	1	1342385	7-7	4
	2-104	1		2-91	9		2-87	3	1342392	7-7	4
	2-119	2		2-105	1		2-91	1	1342393	7-7	4
1330419	2-48	1		2-106	7		2-91	5	1342478	9-5	1
	2-51	6		2-115	3		2-91	16		9-5	1
	2-59	11		10-9	8		2-92	18	1342480	9-5	1
	2-69	18	1330429	2-55	10		2-92	23		9-5	1
	2-79	17		2-63	12		2-92	25	1342482	9-5	1
	2-88	12		2-75	18		2-93	1	1342484	9-5	1
	2-91	13		2-84	4		2-104	1	1342487	9-5	1
	2-104	8		2-85	18		2-104	5	1342489	9-5	1
	2-115	4		2-87	7	1333043	1-86	1	1342699	1-27	7
	2-115	6		2-91	10	1333044	1-86	1	1343276	1-27	1
	10-5	7		2-104	5	1333045	1-86	1	1343989	8-20	37
1330420	2-48	7	1330436	10-5	7	1333329	8-12	24	1343990	1-85	2
1330421	2-56	18	1330437	2-41	8	1333382	7-7	2	1345190	7-17	18
	2-74	12		2-47	8		8-11	2		8-28	26
	2-84	12		2-48	5		9-7	17		8-31	10
	2-87	1		2-94	1	1333392	8-11	10		9-24	26
	2-87	8		2-96	1	1333396	7-3	6	1345199	8-27	20
	2-91	1		2-99	1		7-5	5		8-32	37
	2-91	9		2-100	1		8-3	6		9-24	12
	2-105	1		2-103	3		8-5	6	1345204	8-27	19
	2-106	7		2-106	2		8-9	5		8-32	38
	2-115	3		2-111	1		9-3	6		9-24	11
	10-9	8		2-111	5		9-5	5	1345216	7-3	2
1330423	2-55	10		2-119	2	1333399	8-35	2		7-5	2
	2-63	12		2-119	7		10-19	1		8-3	2
	2-75	18		2-119	8	1337197	2-5	24		8-5	2
	2-84	4	1330438	2-48	1		2-6			8-9	2
	2-85	18		2-48	7	1337798	1-17	23		8-35	1
	2-87	7		2-87	1	1338741	6-45	5		8-35	1
	2-91	10		2-87	7	1338744	6-45	11		9-3	2
	2-104	5		2-87	8	1339465	2-31	8		9-5	2

## NUMERICAL INDEX (continued)

PART NO.	PAGE	ITEM	PART NO.	PAGE	ITEM	PART NO.	PAGE	ITEM	PART NO.	PAGE	ITEM
1345219	7-15	2		9-7	16		7-12	10	1356749	7-12	13
	9-21	2	1354917	7-7	2		7-12	10		8-16	13
	10-17	6		8-11	2		7-12	10	1356750	7-12	3
	10-21	1		9-7	16		7-12	10		8-16	3
1345263	7-15	6	1354918	9-24	13		7-12	10	1356751	7-12	3
	9-21	4	1354919	7-17	11	1355713	8-16	16		8-16	3
	10-17	9	1354921	7-17	11		9-9	12	1357262	2-31	2
	10-21	5		8-31	9		9-11	9		2-31	3
1345264	9-21	1	1354961	8-27	6	1355714	8-17			2-31	3
	9-21	1	1354967	9-13	9	1355745	8-16	10		2-31	9
	10-17	1	1355162	7-12	9		8-16	10		2-35	2
	10-19	6		7-12	9	1355758	8-16	10		2-35	9
	10-21	6	1355170	7-12	9		8-16	10		2-35	9
1345348	7-17	3		7-12	9	1355775	8-16	10		2-36	17
	10-33	13	1355178	7-12	9		8-16	10		2-39	1
	10-35	13		7-12	9	1355935	9-11	5		2-39	1
1345401	8-20	34	1355199	7-12	9		9-11	5	1357263	2-40	1
1345412	7-17	5		7-12	9	1355947	9-11	5	1358941	9-9	6
1345413	7-17	5	1355217	7-12	9		9-11	5		9-9	6
1345423	9-23	8		7-12	9	1355959	9-11	5	1358943	9-9	6
1346752	6-25	22	1355221	7-12	10	1355971	9-11	5		9-9	6
	6-37	15		7-12	10	1355990	9-11	5	1358945	9-9	6
1348246	8-27	11	1355276	7-12		1356002	9-11	5	1358947	9-9	6
1348247	8-27	11	1355371	7-12	9	1356037	9-9	7	1358950	9-9	6
1351068	2-59	14		7-12	9		9-9	7	1358952	9-9	6
	2-69	24	1355379	7-12	9		9-11	6	1358969	8-24	
1351069	2-59	14		7-12	9		9-11	6		9-18	17
	2-69	24	1355391	7-12	9	1356062	9-18	11	1358970	8-24	14
1351689	6-26	47		7-12	9	1356068	8-24	11		9-18	14
1352366	1-86	1	1355414	7-12	9	1356074	8-24	11	1358972	8-23	8
1352367	1-86	1		7-12	9	1356080	9-18	11		9-17	8
1352369	1-86	1	1355434	7-12	9	1356089	8-24	11	1359234	7-7	4
1352554	6-3	12		7-12	9	1356095	9-18	11	1359588	1-27	11
	6-13	19	1355496	8-16	16	1356292	8-24	16	1360127	8-16	4
1352603	2-103	3	1355497	8-17			9-18	16	1360386	7-17	8
1353408	7-15	7	1355603	8-16	10	1356572	8-24	11		8-27	15
	10-17	5		8-16	10		9-18	11		8-31	5
1353464	8-27	16	1355610	8-16	11	1356578	9-18	11		9-24	14
	8-32	29		8-16	11	1356581	8-24	11	1360507	9-23	2
1354901	8-20	37		8-16	11	1356584	9-18	11	1360508	9-23	9
1354902	8-19	4		8-16	11	1356596	8-24	11	1360534	8-20	38
	9-13	6	1355612	8-16	10	1356602	9-18	11	1360538	8-27	13
1354903	8-19	7		8-16	10	1356661	8-24	16		8-32	26
1354906	8-27	21	1355620	8-16	10		9-18	16	1360548	7-17	15
	8-32	39		8-16	10	1356662	8-24			8-31	13
1354907	8-27	21	1355626	8-16	11		9-18		1360549	7-17	17
1354913	7-8	23		8-16	11	1356691	9-18	11		8-28	25
1354915	7-7	2	1355633	8-16	10	1356694	8-24	11		8-31	11
	8-11	2		8-16	10	1356747	9-9	5	1361302	8-23	2
	9-7	16	1355710	8-16	10		9-11	4		9-17	2
1354916	7-7	2		8-16	10	1356748	8-16	4	1362387	8-27	23
	8-11	2	1355711	7-12	10		9-9	4		8-31	13

**NUMERICAL INDEX (continued)**

<b>PART NO.</b>	<b>PAGE</b>	<b>ITEM</b>	<b>PART NO.</b>	<b>PAGE</b>	<b>ITEM</b>	<b>PART NO.</b>	<b>PAGE</b>	<b>ITEM</b>	<b>PART NO.</b>	<b>PAGE</b>	<b>ITEM</b>
1363916	1-3	12		2-119	5		2-100	4	1402620	2-51	1
1365140	8-12	24	1377868	2-52	30		2-105	4		2-59	2
1365296	1-51	5		2-61	33		2-106	8		2-69	23
	1-59	23		2-68	1	1382311	1-13	11		2-79	22
	1-75	2		2-78	1	1382312	1-13	13		2-113	1
1365503	9-23	10		2-119	5	1382313	1-13	12	1402624	2-5	23
1365506	9-23	10	1378550	1-13	18		1-13	12		2-87	4
1365510	9-23	10	1378690	8-19	2	1383062	6-45	10		2-91	6
1365511	9-23	10		9-13	5	1383063	6-47	11	1402814	2-110	3
1365518	9-24	16	1378691	7-5	7	1383777	4-3	13	1402815	1-32	25
	9-24	16		8-5	11	1384366	6-17	5		1-38	37
1365521	9-24	16	1378692	8-20	21	1384699	6-9	9		2-52	24
	9-24	16	1378693	8-20	21	1388838	4-3	48		2-56	23
1365523	9-24	16		9-13	22	1390182	8-27	22		2-59	13
1365525	9-24	16	1378694	7-5	8		8-32	27		2-63	2
1365528	9-24	16		8-5	13	1391044	3-9	4		2-68	10
1365530	9-24	16	1378698	7-5	8		3-15	6		2-75	16
1367150	1-31	6		8-5	12	1393472	1-59	15		2-78	10
	1-35	7	1378699	7-5	8		1-77	15		2-85	16
	1-35	10		8-5	12	1393495	1-57	9		2-86	2
	1-37	6		8-5	13	1393506	1-75	13		2-106	5
	1-41	7		8-20	21	1393509	1-57	8	1402816	2-41	7
	1-41	10		9-14	22	1393539	1-61	2		2-51	9
1368656	7-5	6	1379682	8-20	21		1-63	12		2-59	7
	8-5	10	1379683	8-20	21	1393879	2-31	8		2-68	7
1369344	7-15	8		9-13	22		2-35	3		2-87	10
	8-35	6	1379684	7-5	8		6-3	5		2-91	2
	9-21	6		8-5	13		6-5	10		2-104	6
	10-17	4	1379685	7-5	8		6-7	8		2-109	3
	10-19	15		8-5	12		6-13	26	1402817	2-52	26
	10-21	15	1379687	7-7	14		6-25	28		2-61	34
1369345	8-35	6		9-7	6		6-37	18		2-63	7
	9-21	6	1380092	4-5	4	1395285	8-19	1		2-74	6
	10-17	4	1380434	2-39	7		9-13	4		2-85	21
	10-19	15	1381078	6-47	4	1395291	8-28	28	1402849	2-113	5
	10-21	15	1381082	6-45	9		8-32	36	1402865	2-109	4
1369356	7-7	7	1381083	6-47	8		9-24	22	1402888	2-51	17
	8-12	21	1381095	8-16	13	1395292	8-28	32		2-59	17
	8-20	18		9-9	8		8-31	16		2-69	26
	9-14	29		9-11	10		9-24	28		2-79	25
1369357	7-7	7	1381358	8-9	1	1396406	8-28	29	1453887	1-37	16
	8-12	21		8-9	1		8-31	18	1454122	2-21	8
	8-20	18	1381360	8-9	1		9-24	23	1454478	2-19	8
1371631	8-24	11		8-9	1	1398009	1-3	11	1460477	1-15	6
1374210	1-52	7	1381362	8-9	1	1398010	1-47	10		1-19	8
	2-19	16		8-9	1		1-49	10		1-19	17
1377860	2-52	30	1381365	8-9	1	1398062	1-13	27		2-17	15
	2-61	33	1381366	8-9	1		1-15	2		2-32	17
	2-68	1	1382302	2-9	25		6-9	10	1462085	6-21	
	2-78	1	1382304	2-9	3	1401746	10-17	20	1463105	8-24	15
	2-92	21		2-9	3		10-19	19		9-18	15
	2-92	22	1382308	2-100	3		10-21	19	1463138	2-15	8

## NUMERICAL INDEX (continued)

PART NO.	PAGE	ITEM	PART NO.	PAGE	ITEM	PART NO.	PAGE	ITEM	PART NO.	PAGE	ITEM
	2-105	6		2-101	1	1468317	1-55	6	1481097	7-7	11
	2-109	8		2-103	4	1468319	1-63	26		8-11	5
	2-110	1		10-9	8	1470155	1-32			9-7	3
1463139	2-55	6		10-9	9	1473858	6-3	9	1481229	6-9	3
	2-85	22	1463180	2-105	6		6-13	25		10-33	3
	2-85	23	1463184	2-15	6	1476067	2-52	18		10-35	3
	2-99	11	1463189	2-55	1		2-60	19	1481232	9-23	10
	2-106	1		2-63	14		2-69	29		9-23	10
	2-111	6		2-74	2		2-79	28		9-23	10
1463140	2-48	4		2-84	2	1476108	2-52	18	1481233	9-23	10
	2-86	1		2-111	6		2-60	19	1481745	9-13	1
	2-86	3	1463191	2-105	6		2-70	29		9-13	1
	2-93	2	1463193	2-15	7		2-80	28	1481747	9-13	1
	2-101	3		2-86	1	1476109	2-52	18	1481749	9-13	1
	10-9	10	1463194	2-55	7		2-60	19	1481752	9-13	1
1463141	2-51	15		2-60	27		2-70	29	1481754	9-13	1
	2-52	21		2-64	24		2-79	28	1482905	1-35	4
	2-52	22		2-68	6	1476421	1-3	15		1-41	4
	2-55	1		2-75	22		1-73	7	1482906	1-35	6
	2-55	6		2-85	24	1476584	1-55	11		1-41	6
	2-55	12		2-96	3		1-77	3	1482925	1-32	
	2-56	24		2-99	3	1477166	1-86	5		1-37	15
	2-60	23		2-99	6	1477167	1-86	6	1482948	1-32	
	2-63	1	1463196	2-55	1	1477237	1-86	6	1482949	1-32	
	2-64	20		2-63	14	1477996	6-9	2		1-37	13
	2-64	23		2-74	2		7-17	6		1-37	17
	2-68	11		2-84	2		8-27	17	1482950	1-32	
	2-74	2		2-111	6		8-31	2	1483003	1-37	10
	2-74	4	1463912	1-65	7		8-31	2	1483661	10-37	11
	2-75	15	1465504	8-19	5		9-24	17		10-41	4
	2-75	21		9-13	8		10-33	4		10-43	18
	2-78	8	1466470	2-32	16		10-35	4		10-47	4
	2-78	9		2-32	18	1480237	1-13	7		10-49	22
	2-79	23		2-32	20		2-9	19		10-51	11
	2-84	2		2-32	21		2-17	2		10-53	3
	2-84	5		2-36	19		2-19	20		10-55	16
	2-85	15		2-36	20		2-25	7	1483663	10-37	9
	2-85	22		2-36	22		2-31	4		10-41	3
	2-85	23	1467390	4-13	1		2-35	8		10-43	17
	2-86	4	1467424	4-13	6		2-39	5		10-47	3
	2-94	3	1467425	4-13	23		6-3	13		10-49	25
	2-94	4	1467430	4-13			6-5	9		10-51	9
	2-95	5	1468311	1-61	3		6-7	6		10-53	4
	2-96	5	1468312	1-59	5		6-9	6		10-55	15
	2-96	7	1468313	1-55	10		6-13	20	1483664	10-37	10
	2-96	8		1-59	14		10-5	16		10-41	2
	2-97	10	1468314	1-55	3	1480747	8-11	12		10-43	16
	2-97	11		1-77	10	1480952	9-13	1		10-47	2
	2-99	10	1468315	1-55	4		9-13	1		10-49	24
	2-99	11		1-77	6	1481090	9-13	2		10-51	10
	2-99	13	1468316	1-55	5	1481095	8-19	12		10-53	2
	2-99	14		1-77	7	1481096	9-13	14		10-55	14

**NUMERICAL INDEX (continued)**

<b>PART NO.</b>	<b>PAGE</b>	<b>ITEM</b>	<b>PART NO.</b>	<b>PAGE</b>	<b>ITEM</b>	<b>PART NO.</b>	<b>PAGE</b>	<b>ITEM</b>	<b>PART NO.</b>	<b>PAGE</b>	<b>ITEM</b>
1484377	2-15	9		2-85	23		6-37	10		2-74	5
	2-48	4		2-86	4		10-49	1		2-75	20
	2-51	15		2-94	4	1487163	10-23	1		2-79	18
	2-52	22		2-97	10		10-23	2		2-79	19
	2-56	24		2-99	11		10-25	1		2-84	6
	2-59	14	1484558	2-52	21		10-25	2		2-85	20
	2-60	23		2-55	6		10-27	1		2-91	14
	2-63	1		2-60	24		10-27	2		2-91	17
	2-68	11		2-69	12	1487166	6-13	31		2-92	24
	2-69	24		2-78	9	1489035	10-31	3		2-92	26
	2-75	15		2-85	22	1489037	10-31	2		2-93	5
	2-78	8		2-85	23	1489039	10-31	5		2-94	2
	2-85	15		2-86	4	1489655	2-111	1		2-96	6
	2-93	2		2-94	4	1489656	2-111	2		2-97	9
	2-94	3		2-97	10	1489657	2-111	2		2-99	8
	2-95	5		2-99	11	1489751	1-61	5		2-99	12
	2-96	7	1486737	6-11	9	1490242	2-51	4		2-119	3
	2-96	8		10-43	4		2-51	10		2-119	4
	2-97	11		10-49	4		2-55	8	1491115	1-55	2
	2-99	10		10-55	4		2-56	20		1-77	2
	2-99	13	1486738	6-29	5		2-59	5	1492221	1-63	13
	2-99	14		6-37	6		2-59	6	1492644	6-45	
	2-101	1	1486740	6-11	3		2-64	21	1493336	1-57	7
	2-101	3		6-29	2		2-69	19	1493337	1-57	6
	2-103	1		6-37	4		2-69	20	1493397	1-73	11
	2-103	3		10-37	12		2-74	5	1493462	2-95	5
	2-103	4		10-41	1		2-75	20		2-96	5
	2-109	8		10-43	15		2-79	18		2-96	7
	2-111	1		10-47	1		2-79	19		2-99	14
	2-111	6		10-49	26		2-84	6		2-106	1
	2-115	5		10-51	12		2-85	20	1493464	2-95	5
	2-116	7		10-53	1		2-91	14		2-96	5
	2-119	7		10-55	13		2-91	17		2-96	7
	2-119	8	1486742	6-29	9		2-92	24		2-99	14
	2-119	9		6-37	11		2-92	26		2-106	1
	10-9	9	1486749	6-29	11		2-93	5	1493465	2-91	16
	10-9	10		6-37	3		2-94	2		2-92	18
1484397	2-55	7		9-7	2		2-96	6		2-92	23
	2-60	27	1486754	6-17	11		2-97	9		2-92	25
	2-64	24	1486773	7-8	16		2-99	8		2-119	7
	2-68	6		8-11	13		2-99	12		2-119	8
	2-75	22		9-7	9		2-119	3		10-15	4
	2-85	24	1487058	6-9	18		2-119	4	1493466	2-47	8
	2-96	3		6-11	7	1490243	2-51	4		2-111	5
	2-99	3	1487059	10-28	4		2-51	10	1493474	1-77	14
	2-99	6		10-29	4		2-55	8	1494017	7-17	16
1484557	2-52	21	1487063	6-7	3		2-56	20		8-27	24
	2-55	6		6-11	6		2-59	5		8-28	30
	2-60	24	1487095	10-43	1		2-59	6		8-31	12
	2-68	12		10-55	1		2-64	21		9-24	24
	2-78	9	1487096	10-3	5		2-69	19	1494888	1-5	3
	2-85	22	1487097	6-29	8		2-69	20		1-7	5

## NUMERICAL INDEX (continued)

PART NO.	PAGE	ITEM	PART NO.	PAGE	ITEM	PART NO.	PAGE	ITEM	PART NO.	PAGE	ITEM
1495083	2-104	3		5-5	12		2-84	10	1515337	1-61	1
1495084	2-104	7		5-9	9		2-85	14		1-63	11
1496922	9-9			6-17	3	1508232	2-60	28	1515654	6-13	9
	9-11			6-26	49		2-68	5	1516197	6-29	4
1498325	10-31	4		6-37	20		2-78	5		6-37	2
1498326	10-17	15	1502625	2-103	1	1509888	2-69	21	1516199	4-10	5
	10-19	13		2-119	9		2-79	20	1516201	6-29	10
	10-21	13	1502626	2-103	1		4-3	36		6-37	8
1498336	1-79	11		2-119	9	1509890	2-69	17	1516208	6-29	6
	1-81	10	1502811	7-3	11		2-74	3		6-37	7
1499111	7-12			8-3	11		2-79	16	1517361	5-9	14
1500395	10-17			9-3	11		2-84	3		6-25	35
	10-19		1503096	10-31		1510113	1-15	3	1517836	4-3	49
	10-21		1504010	8-35	6		2-5	11	1520290	6-43	2
1500782	1-86	4		9-21	6		4-10	3	1522442	8-20	33
1500784	1-86	4		10-17	4		5-9	12	1523732	1-86	2
1500899	1-14			10-19	15		6-3	8	1523733	1-86	3
	2-69	14		10-21	15		6-5	12	1523734	1-86	
	2-79	13	1504012	7-15	8		6-7	9	1523735	1-86	
	2-87	5		8-35	6		6-9	11	1523737	1-86	3
1500900	2-56	21		9-21	6		6-13	24	1523739	1-86	
	2-60	22		10-17	4		6-25	25	1524755	8-3	1
	2-63	17		10-19	15		6-37	17		8-3	1
	2-75	17		10-21	15		6-37	17	1524756	7-3	1
	2-85	17	1504941	1-55	14		10-9	6		7-3	1
	2-91	8	1504953	1-59	10	1510114	2-27	11		9-3	1
	2-104	2	1504954	1-59	9	1510116	6-9	5		9-3	1
1500901	2-51	8	1504955	1-59	8	1510117	1-15	5	1524758	7-3	1
	2-55	9	1506668	1-61	16		4-7	23		7-3	1
	2-59	9		1-63	9		4-9	33		8-3	1
	2-64	22	1506738	10-12	3		6-17	13		8-3	1
	2-69	15	1507307	6-21	10		6-43	3		9-3	1
	2-79	14	1507373	3-9	5	1512536	1-31	8		9-3	1
	2-87	2		3-15	7		1-37	26	1524760	7-3	1
1500912	1-17	18	1508206	2-51	12	1512544	1-32	18		7-3	1
	2-9	33		2-55	13	1513089	1-31	3		8-3	1
	2-15	16		2-59	16		1-37	5		8-3	1
	2-23	6		2-63	10	1514269	6-43	1		9-3	1
	2-25	9		2-70	30	1514429	1-11	6	1524763	8-3	1
	2-27	6		2-74	9		1-17	4		9-3	1
	2-29	7		2-74	13		2-9	30	1524764	8-3	1
	10-9	2		2-80	29		10-5	3	1524766	7-3	1
1500925	2-103	3		2-84	9	1514866	7-7	6		7-3	1
1502054	2-5	15		2-85	13		7-15	9		9-3	1
1502066	2-5	14	1508211	2-51	13		8-12	20	1524768	9-3	1
	10-5	5		2-55	14		8-20	19	1524771	7-3	1
1502092	6-21	4		2-59	12		8-35	9		7-3	1
1502276	4-3	12		2-63	8		9-14	28	1524799	7-5	1
1502543	1-17	5		2-70	31		9-21	9		7-5	1
	2-5	10		2-74	10		10-17	20	1524801	7-5	1
	2-29	5		2-75	14		10-19	14		7-5	1
	4-10	4		2-80	30		10-21	14	1524803	7-5	1

**NUMERICAL INDEX (continued)**

<b>PART NO.</b>	<b>PAGE</b>	<b>ITEM</b>	<b>PART NO.</b>	<b>PAGE</b>	<b>ITEM</b>	<b>PART NO.</b>	<b>PAGE</b>	<b>ITEM</b>	<b>PART NO.</b>	<b>PAGE</b>	<b>ITEM</b>
	7-5	1		9-7	10		5-5	16	1530971	6-25	30
1524808	7-5	1	1527819	8-20	33	1527889	6-17	4	1531001	1-13	4
	7-5	1	1527820	8-11	12	1527899	6-43	10		2-39	3
1524813	7-5	1		8-20	33	1528482	2-23	10	1531312	2-87	3
	7-5	1		9-13	2		6-25	21		2-91	5
1524835	8-5	1	1527822	9-7	9		6-37	14		2-91	16
	8-5	1	1527876	2-9	32	1528573	10-37	2		2-92	18
1524837	8-5	1		2-25	5		10-39	1		2-92	23
	8-5	1		2-29	2		10-45	1		2-92	25
1524839	8-5	1		6-5	7		10-51	2		2-93	1
	8-5	1	1527877	1-3	9		10-53	11		2-94	1
1524842	8-5	1		1-11	5	1528587	6-5	14		2-96	1
1524843	8-5	1		1-17	10	1528602	10-41	6		2-99	1
1525354	4-3	44		2-6	3		10-47	7		2-104	1
1525567	2-55	12		10-5	2		10-49	23		2-115	1
	2-84	5	1527878	5-9	13		10-55	18		2-115	5
1525584	2-55	5		6-25	29	1528888	1-5	12		2-116	7
	2-63	13	1527879	1-13	8		1-7	12	1531479	1-5	19
	2-74	1		2-17	1		1-19	1		1-7	27
	2-84	1		2-19	19		1-21	9	1531557	1-5	16
1525595	2-53	32		2-25	6		1-23	4		1-7	9
	2-55	3		2-31	6		2-17	9		1-75	5
	2-61	29		2-35	6		5-5	17		2-9	12
	2-64	25		6-3	14	1528889	1-5	11		10-9	6
	2-68	4		6-7	4		1-7	11	1531558	1-13	32
	2-75	23		6-13	18		1-23	3		1-43	3
	2-78	4		10-5	15	1529015	7-17	19		1-45	8
	2-85	25		10-9	5		8-28	35		1-51	13
1525596	2-53	32	1527880	1-7	7		8-32	33		1-52	9
	2-55	3		1-17	7		9-24	33		1-59	24
	2-61	29		2-17	5		10-37	1		1-75	6
	2-63	14		2-25	6		10-51	1		10-15	6
	2-64	25		2-29	4	1529016	10-33	1	1531563	4-7	4
	2-68	4		2-31	11		10-35	1		4-9	4
	2-75	23		2-35	5	1529046	2-55	12	1531973	2-51	15
	2-78	4		2-39	8		2-84	5		2-79	23
	2-85	25		5-5	18	1529929	6-43	7		2-94	3
1525920	2-19	3		5-9	4	1529931	6-43	7		2-96	8
1525921	2-19	3		6-3	4	1530019	1-13	25		2-97	11
1525922	2-19	3		6-11	5	1530243	1-3	6		2-99	10
1527520	6-47	12		6-13	29		1-21	7		2-99	13
1527719	6-47			6-17	2		1-51	2		2-101	1
1527813	6-9	18	1527881	1-3	4		1-59	17		2-103	4
	10-37	8		5-5	11		1-75	15	1531974	2-51	15
	10-37	12		6-17	9		5-5	19		2-79	23
	10-51	8		6-25	19		6-37	18		2-94	3
	10-51	12	1527882	1-11	10	1530244	1-19	8		2-96	8
1527818	8-11	6	1527884	1-13	35		1-19	17		2-97	11
	8-11	13	1527885	5-5	4	1530421	2-63	15		2-99	10
	9-7	2	1527887	2-17	14	1530721	3-5	5		2-99	13
	9-7	4	1527888	1-3	10	1530960	2-101	3		2-101	1
	9-7	8		1-21	2	1530961	2-101	3		2-103	4

## NUMERICAL INDEX (continued)

PART NO.	PAGE	ITEM	PART NO.	PAGE	ITEM	PART NO.	PAGE	ITEM	PART NO.	PAGE	ITEM
1532571	2-55	5		10-9	9	1549724	10-45	2		4-9	6
	2-63	13	1541992	2-52	22		10-49	21	1562649	2-110	3
	2-74	1		2-56	24		10-51	3	1563208	1-32	
	2-84	1		2-60	23		10-53	6		1-38	
1532650	7-7	12		2-60	24		10-55	19	1563230	1-37	23
	8-11	6		2-63	1	1550070	10-37	3	1563231	1-37	24
	9-7	4		2-64	20		10-39	2	1565407	1-19	14
1532664	2-109	6		2-64	23		10-41	7	1565545	1-17	22
1532904	2-86	1		2-68	11		10-43	20	1565693	2-23	4
1533493	6-43	4		2-74	4		10-51	3		2-25	12
	6-45	12		2-75	15		10-53	6		2-27	4
1533494	6-43	5		2-75	21		10-55	19		2-29	10
	6-45	15		2-78	8	1550298	8-20	29	1566116	2-109	6
	6-47	14		2-85	15	1551839	4-7	4	1566117	2-109	7
1533810	2-53	32		10-9	9		4-9	4	1566420	1-3	7
	2-55	3	1542439	10-15		1553094	2-52	28		2-6	4
	2-61	29	1545546	6-35	15		2-60	26	1566564	8-28	
	2-64	25	1547480	2-52	19		2-68	8		8-32	
	2-68	4		2-60	20		2-78	6	1566700	4-5	
	2-75	23		2-70	32	1553417	1-52	6	1566726	10-15	3
	2-78	4		2-78	12		2-19	15	1568199	6-17	10
	2-85	25	1547629	2-60	28	1553897	2-47	3	1568235	3-21	6
1534282	2-69	13		2-68	5		5-9	21		3-23	1
	2-74	11		2-78	5	1554877	2-91	11	1568271	4-3	27
	2-78	11	1547837	2-39	1		10-5	10	1569616	10-43	32
	2-84	11		2-39	1	1554879	2-87	9		10-49	11
1534329	2-56	17		2-40	1		2-91	11		10-55	12
	2-63	18	1547841	2-31	3		10-5	10	1571775	1-63	21
1534660	1-27	6		2-31	3	1554902	2-5	3	1572889	1-43	12
1537132	2-23	2		2-32	14		4-7	24	1574147	1-27	3
	2-27	2		2-35	13		4-9	34	1574301	1-3	2
1537551	2-9	28	1547845	6-5	11	1556263	5-7	14	1578672	6-19	5
1539584	2-9	26	1547849	5-9	20	1556266	5-7	15	1580682	6-13	4
1540805	1-17	11	1548177	2-31	12	1556322	2-41	1	1581556	7-8	22
1541988	2-48	4		2-32	13	1556397	5-7	10		8-11	8
	2-93	2		2-32	15	1556897	10-33	2		8-20	35
	2-109	8		2-32	19		10-35	2		9-7	20
	10-9	10		2-35	14	1558294	1-61	23	1581557	9-13	19
1541989	2-48	4		2-35	15		1-63	2	1581558	8-27	9
	2-93	2		2-36	18	1558301	1-63	19	1581559	8-19	13
	2-109	8		2-36	21	1558302	1-61	6		9-13	10
	10-9	10		2-36	23	1558303	1-61	4	1581560	8-28	31
1541991	2-52	22		2-36	23	1558305	1-61	14		8-31	19
	2-56	24	1549715	10-37	8	1558446	1-61	18		9-24	25
	2-60	23		10-51	8	1561008	4-5	2	1581564	7-17	14
	2-63	1	1549717	10-51	3	1561559	2-110	1		8-20	24
	2-64	20	1549718	10-45	2		2-114	2		8-31	14
	2-68	11		10-47	6	1561755	2-110	1		9-14	31
	2-74	4		10-51	3		2-114	2	1581565	7-17	10
	2-75	15		10-53	6	1561871	10-5	4		8-20	28
	2-78	8		10-55	19	1562353	1-25	1		8-31	6
	2-85	15	1549723	10-51	3	1562492	4-7	6	1581566	7-7	13



**NUMERICAL INDEX (continued)**

<b>PART NO.</b>	<b>PAGE</b>	<b>ITEM</b>	<b>PART NO.</b>	<b>PAGE</b>	<b>ITEM</b>	<b>PART NO.</b>	<b>PAGE</b>	<b>ITEM</b>	<b>PART NO.</b>	<b>PAGE</b>	<b>ITEM</b>
	7-17	4	1581841	9-13	20	1585206				2-64	21
	8-11	9	1581842	8-27	14	1585581	1-5	15		2-64	24
	8-20	28		8-32	28		1-7	13		2-68	6
	8-27	2		9-24	30	1585765	1-17	21		2-69	12
	8-31	8	1581843	9-24	30	1586013	6-45	16		2-69	18
	8-31	8	1581849	7-8	17		6-47	13		2-69	19
	9-7	5		8-11	14	1586109	4-7	4		2-69	20
	9-23	3		8-19	14		4-9	4		2-69	24
1581567	8-27	8		8-28	34	1586428	2-9	7		2-74	5
	8-32	24		9-7	11	1586429	10-11	4		2-74	12
	9-13	16		9-13	11	1586436	5-5	2		2-75	18
1581580	8-32	32		9-24	27	1586495	1-13	1		2-75	20
1581581	8-20	36	1581850	8-20	31		10-11	5		2-75	22
	8-27	4	1581851	8-27	7	1586627	6-37	14		2-79	17
	8-32	30	1581852	1-31	14	1586759	2-9	6		2-79	18
	8-32	35		1-38	28	1589621	2-47	6		2-79	19
	9-23	5		6-43	13	1591518	6-21	1		2-84	4
1581582	7-17	2		7-8	18	1591525	6-21	7		2-84	6
1581587	9-13	18		8-11	15	1591527	6-21	8		2-84	12
1581588	8-27	10		9-7	12	1591528	6-21			2-85	18
1581590	8-20	25	1581854	10-17	17	1591531	6-21			2-85	20
	9-14	30		10-19	9	1591532	6-21			2-85	24
1581741	9-24	15	1582161	6-13	3	1591542	6-21	31		2-93	5
1581742	8-31	4	1582442	6-26	55	1593334	6-25	38		2-94	2
1581747	5-9	7	1582464	2-9	34	1593335	5-9	3		2-96	3
1581827	8-19	6		2-23	7		6-25	24		2-96	6
1581828	8-19	6		2-25	10	1593336	1-19	6		2-97	9
	9-13	7		2-27	7		5-5	3		2-99	3
1581829	7-8	20		2-29	8	1593337	1-19	6		2-99	6
	8-11	17		6-25	27	1593347	4-7	13		2-99	8
	8-20	39		10-9	4		4-9	13		2-99	12
	9-7	14	1583611	1-32	20	1593629	1-61			2-109	6
1581830	7-17	13		1-37	20		1-63			2-115	3
	8-28	27		2-9	18	1597448	8-32	35		2-115	4
	8-31	15	1584632	1-35	9		9-23	5		2-115	6
	9-24	21		1-41	9	1597479	1-3	13	1597839	2-51	12
1581831	8-27	12	1584638	1-35	11	1597773	2-51	4		2-51	13
	8-32	25		1-41	11		2-51	6		2-55	13
1581832	8-19	9	1584643	1-31	2		2-51	10		2-55	14
	9-13	15		1-37	2		2-55	7		2-59	12
1581833	10-17	18	1584977				2-55	8		2-59	16
	10-19	10	1584978				2-55	10		2-60	28
1581834	7-17	9	1584979				2-56	18		2-63	8
1581835	8-11	7	1585141	6-21	14		2-56	20		2-63	10
	8-27	5	1585192				2-59	5		2-68	5
	9-7	19	1585193				2-59	6		2-70	30
1581836	7-8	21	1585194				2-59	11		2-70	31
	7-17	12	1585198				2-59	14		2-74	9
	8-20	30	1585199				2-60	24		2-74	10
	8-31	7	1585200				2-60	27		2-74	13
	10-43	14	1585204				2-63	12		2-75	14
	10-56	31	1585205				2-63	15		2-78	5

## NUMERICAL INDEX (continued)

PART NO.	PAGE	ITEM	PART NO.	PAGE	ITEM	PART NO.	PAGE	ITEM	PART NO.	PAGE	ITEM
	2-80	29	1615149	1-37	4	1647823	4-3	45	1658934	10-39	3
	2-80	30	1615163	2-47	2	1647928	2-23	3		10-41	10
	2-84	9	1617601	2-27	13	1650640	1-43	8		10-43	21
	2-84	10	1617657	7-17	7		1-45	27		10-55	20
	2-85	13		8-27	18	1650732	6-13	12	1659602	2-9	13
	2-85	14		8-31	3	1651284	1-9	2	1660274	6-5	6
1597959	1-14	41		8-31	3	1652290	2-9	5	1660852	1-14	40
1598210	1-55	8		9-24	18	1652858	2-17	8	1661053	1-13	5
1598211	1-55	7		10-35	13	1654013	2-9	5	1661162	1-5	1
1598220	10-15	7	1617658	9-24	31	1654142	2-5	7		1-7	29
1598389	1-61	12	1617681	1-37	18		2-9	23	1661166	1-11	7
	1-63	18	1622215	6-19	7		2-9	23	1661509	1-43	4
1598399	1-63	6	1622216	6-19	6	1654876	4-13		1661511	1-43	2
1598406	1-63	7	1622946	8-24	14	1654877	4-13			1-45	1
1598410	1-63	15		9-18	14	1655172	2-64	23		1-45	9
1598504	1-31	12	1623050	2-99	1		2-75	21	1661784	1-71	2
	1-38	29		2-119	2	1655183	2-52	30	1661809	1-51	1
1599415	1-5	4	1623195	1-57	13		2-61	33		1-55	
	1-7	4	1624903	6-13	7		2-68	1	1661828	1-69	1
1600285	8-35	1	1626727	10-5	8		2-78	1		1-71	
1600432	10-21	6	1627833	2-110	3		2-119	5	1661879	4-7	3
1600435	10-17	12	1627835	1-17	24	1655195	2-51	7		4-9	3
1600542	10-19	6	1633113	10-33	7		2-63	9	1661883	4-7	1
1600554	10-19	6		10-35	7		2-91	15		4-9	1
1600589	10-21	6	1635003	1-77	4		2-110	2	1662170	1-75	1
1600715	10-17	12	1635026	1-57	11	1655865	1-43			1-77	
1601822	9-21	1	1637285	1-31	3		1-45	2	1662184	1-59	1
1601830	7-15	1		1-37	5		1-45	10		1-63	
1601834	7-15	1	1640351	1-13	28	1655927	2-32	14	1662409	2-9	22
1601840	8-35	1	1640498	1-13	37	1655933	2-32	15	1662510	1-59	2
1601881	9-21	1	1641640	1-79	3	1656046	5-5	14		1-61	
1605293				1-81	7		5-7		1662518	1-59	1
1605294			1642038	6-13	10	1656156	2-31	13		1-63	
1605297				6-15		1656157	2-31	12	1663443	1-85	1
1605298			1643405	8-27	3	1656159	2-32	16	1663460	1-85	1
1605301				8-32	34	1656160	2-32	18	1663632	2-39	1
1605302				9-23	6	1656319	5-5	10	1663633	2-40	1
1605305			1643531	4-3	25	1656700	2-31	1	1664407	2-9	13
1605306			1643976	4-3	1	1657013	6-25	34	1664567	1-11	16
1605309			1644398	10-43	25	1657014	6-25	36	1664568	1-11	16
1605310				10-49	13	1657016	6-25	33	1665541	1-19	10
1605479	6-9	4		10-55	22	1657021	6-25	32	1665644	1-19	15
1606544	10-43	26	1644425	4-3	6	1657116	1-19	9	1665758	2-9	17
	10-49	14	1644519	4-5	8	1657419	1-11	9	1666414	1-14	39
	10-55	23	1644522	4-5	1	1657629	3-2		1666415	1-14	39
1606735	6-29	12	1644602	6-9	17	1657630	3-2	1	1668356	4-3	41
1606855	9-23	1	1644804	1-79	1	1657915	4-14	1	1669517	1-11	16
1611564	10-3	2		1-81	5	1658075	8-32	23	1669518	1-11	16
1612041			1644934	4-3	5	1658809	1-23	1	1669557	1-11	17
1612042			1644975	4-3		1658810	1-23	2	1670032	10-23	5
1614686	1-14		1646457	1-14		1658900	3-15	2		10-25	5
1614687	1-14		1646922	1-57	11		3-17	2		10-27	5

**NUMERICAL INDEX (continued)**

<b>PART NO.</b>	<b>PAGE</b>	<b>ITEM</b>	<b>PART NO.</b>	<b>PAGE</b>	<b>ITEM</b>	<b>PART NO.</b>	<b>PAGE</b>	<b>ITEM</b>	<b>PART NO.</b>	<b>PAGE</b>	<b>ITEM</b>
1670184	1-9	4	1675583	4-7	4		2-61	31		1-63	8
1670185	1-9	4		4-9	4		2-61	32	1695062	1-61	17
1670186	1-9	4	1675590	6-19	8		2-68	2		1-63	20
1671849	5-7	11	1675593	6-19			2-78	2	1695063	1-61	8
1671850	5-7	12	1675753	1-71	4		2-87	6	1695064	1-61	11
1671852	5-7	13	1676335	6-15	5		2-92	19	1695065	1-61	10
1671853	5-7	16	1676341	6-15	1		2-92	20	1695066	1-61	9
1671854	5-7	17	1676342	6-15			2-104	4	1695067	1-61	7
1671867	5-7		1676403	1-25	9		2-111	4	1695068	1-61	13
1671887	2-114	1	1676884	1-3	5	1689642	1-15	8	1695069	1-63	5
	6-25	4	1676903	1-59	2	1689915	1-19	7	1695070	1-63	1
1672692	2-9	4		1-61		1690977	2-17	11		1-81	
	2-9	29	1677113	1-5	8		2-25	1	1695072	1-63	17
1672827	1-11	2	1677115	1-5	9		6-13	13	1695073	1-63	10
1673283	5-5	5		1-7	19	1690978	2-32	21	1695110	1-13	17
1673312	5-9	17	1677131	2-23	1	1690979	2-32	20	1695111	4-3	16
1673402	6-13	15		2-27	1	1690980	2-32	19	1695158	1-13	10
1673555	6-47	16	1677333	2-5	8	1691091	2-31	1	1695690	1-32	22
1673754	8-20	35	1677361	1-17	15	1691918	1-59	11		1-37	22
	10-23	4	1677799	2-48	2	1691919	1-59	11	1695798	1-47	2
	10-25	4	1682736	2-87	9	1691921	1-69	6		1-59	
	10-27	4		2-91	11	1692284	4-9	27	1695807	10-3	1
	10-43	12		10-5	10	1692919	1-32		1695937	6-25	18
	10-49	10	1682764	6-25	31	1693371	2-9	17	1695985	6-39	5
	10-55	11	1682875	2-17	12	1693738	2-6	5	1696034	6-25	10
1673825	2-52	20	1683193	1-5	7	1693988	2-47	5	1696035	6-31	7
	2-59	1		1-7	15	1694048	6-21	12		6-39	3
	2-69	25	1683346	1-47	6	1694057	6-21	28	1696036	6-35	
	2-79	24		1-49	6	1694442	2-13	4		6-39	6
1673826	2-52	20		2-9	11	1694521	1-32	23	1696040	6-39	7
	2-59	1		2-25	13		1-43			6-41	
	2-69	25		2-29	11	1694618	1-69	8	1696041	6-39	8
	2-79	24		10-6	3		2-23	5		6-41	
1673840	2-52	19	1684101	5-7		1694657	1-17	8	1696042	6-39	1
	2-52	20	1684510	3-10	8	1694700	1-32			6-41	
	2-59	1	1686661	3-21	5	1694706	1-59	12	1696043	6-39	5
	2-60	20		3-23	3	1694731	6-25	39	1696044	6-31	7
	2-69	25	1687430	6-29	13	1694787	4-3	39		6-39	3
	2-70	32		6-37	12	1694830	1-32	28	1696045	6-35	
	2-79	12	1687435	2-6			1-38	40		6-39	6
	2-79	24	1688049	3-2	4		2-5	6	1696046	6-39	8
1674165	6-26	52	1688050	3-2	5		6-25	11		6-41	
1674167	6-25	37	1688051	3-2		1694831	4-3	43	1696226	6-39	11
1674376	2-52	19	1688064	3-13	3	1695056	1-61	19	1696231	2-40	4
	2-60	20	1688066	3-13	3	1695057	1-61	24	1696232	2-40	4
	2-70	32	1688347	10-43	29		1-79		1696266	6-41	
	2-78	12		10-49	18	1695058	1-61	22	1696296	6-31	5
1674512	4-3	42		10-55	24	1695059	1-61	21		6-33	3
1675581	4-7	4	1688737	6-25	40		1-63	3		6-33	8
	4-9	4	1688738	6-25	40	1695060	1-61	20		6-35	2
1675582	4-7	4	1689471	1-15	1		1-63	4		6-41	2
	4-9	4	1689606	2-53	31	1695061	1-61	15	1696297	6-33	11

## NUMERICAL INDEX (continued)

PART NO.	PAGE	ITEM	PART NO.	PAGE	ITEM	PART NO.	PAGE	ITEM	PART NO.	PAGE	ITEM
	6-35	8		1-75	10	1702593	2-13	7	1703894	1-31	5
	6-41	9	1699334	1-59	20		2-15	12	1703895	1-32	
1696298	6-35	6		1-69	2	1702594	2-13	9		1-38	
	6-41	8	1699347	6-25	13		2-15	11	1703896	1-32	
1696299	6-33	9	1699348	6-25	14	1702595	2-13	11	1703897	1-32	
	6-35	4	1699349	6-25	15		2-15	15	1703898	1-31	2
	6-41	7	1699350	6-25	17	1702704	1-27	5	1703899	1-31	3
1696300	6-33	10	1699384	1-25	8	1702705	1-27	5		1-37	5
	6-35	3	1699385	1-25	8	1702706	8-19	8	1703900	1-31	1
	6-41	6	1699386	1-25	8	1702735	1-14	47	1703901	1-31	2
1696306	6-35	7	1699388	1-25	8		6-26	50	1703902	1-31	3
1696308	6-35	11	1699447	1-75	12	1702969	1-65	11		1-37	5
1696309	6-35	10	1699754	2-101	2	1703511	6-31	10	1703903	1-31	1
1696310	6-35	14		2-103	2		6-31	10		1-37	6
1696311	6-35	13	1699889	3-10	11		6-39	9	1703949	1-11	11
1696312	6-31	5	1701255	5-11	6	1703512	6-31	11	1704110	3-17	
	6-33	2	1701257	5-11	3		6-33	15	1704190	2-19	2
	6-39	2	1701259	5-11	2	1703513	2-43	9	1704495	2-113	2
	6-41	12	1701260	5-11	4		2-45	9	1704528	2-43	13
1696315	6-39	12	1701261	5-11	9	1703670	6-17			2-45	13
1696316	6-33		1701262	5-11	5	1703722	1-57	1		2-45	13
1696318	6-39	10	1701263	5-11	5	1703723	1-57	2		2-45	13
1696319	6-39		1701264	5-11	9	1703724	1-59	13	1704529	2-43	14
1696414	6-35		1701265	5-11	4	1703725	1-59	13		2-45	14
1696418	6-39	5	1701367	6-39	4	1703729	1-57	3	1704570	6-29	7
1696419	6-39	5	1701394	5-11	4	1703748	1-55	13		6-37	9
1696453	6-39	5	1701409	10-12	5	1703749	1-55	12	1704623	1-14	39
1696934	6-21	9	1701416	1-5	34	1703751	1-77	9	1704652	2-15	3
1696935	6-21	6	1701654	6-31	11	1703752	1-77	8	1704828	2-113	6
1696936	6-21	13		6-31		1703756	1-77	11	1704844	1-65	3
1696938	6-21	20		6-33	15	1703757	1-77	17	1704887	2-21	7
1696939	6-21	26	1701657	6-31	8	1703758	1-77	18	1704892	2-21	6
1696940	6-21	25		6-35		1703759	1-77	16	1704894	2-21	5
1696941	6-21	29	1701659	6-31	6	1703760	1-77	21	1704895	2-21	4
1696942	6-21	22		6-33		1703761	1-77	27	1704896	2-21	3
1696943	6-21	21	1701660	6-31	4	1703762	1-77	29	1705104		
1697013	1-51	11		6-33		1703763	1-77	28	1705105		
1697031	6-21	30	1701661	6-31	2	1703764	1-77	25	1705108		
	6-21			6-33		1703765	1-77	20	1705156	1-57	11
1697032	6-21	6	1701663	6-31	4	1703766	1-77	30	1705202	2-15	2
1697033	6-21	26		6-33		1703768	1-77	31	1705206	5-9	22
1697128	2-40	6	1701666	6-31	3	1703769	1-77	22	1705207	5-9	10
1697553	1-47	7		6-33		1703770	1-75	14	1705359	2-43	13
	1-49	7	1701671	6-31	8	1703771	1-77	26		2-45	13
1698449	2-43	20		6-35		1703890	1-35	8	1705632	4-13	
	2-45	20	1701713	6-19	1		1-41	8	1706004	2-92	21
1698633	1-21	10	1701714	6-19	9	1703891	1-35	1		2-92	22
1698795	1-47	9	1701825	6-33	5		1-41	1	1706046	1-69	
	1-49	9	1701829	6-33	6	1703892	1-31	4	1706047	1-69	
1698821	1-47	2	1701855	6-31	1		1-37	7	1706048	1-69	
	1-59			6-33	12	1703893	1-31	5	1706062	1-11	8
1699224	1-51	8	1702413	1-3			1-37	8		1-17	3

**NUMERICAL INDEX (continued)**

<b>PART NO.</b>	<b>PAGE</b>	<b>ITEM</b>	<b>PART NO.</b>	<b>PAGE</b>	<b>ITEM</b>	<b>PART NO.</b>	<b>PAGE</b>	<b>ITEM</b>	<b>PART NO.</b>	<b>PAGE</b>	<b>ITEM</b>
1707015	2-113	3		2-69	28		10-19	4		2-78	7
1707298	2-113	4		2-79	27		10-21	4	2056826	2-9	2
1707398	4-9	19	2013075	7-12	2		10-31		2058123	8-23	
1707399	4-9	7		8-16	2	2043531	10-17	21	2058124	9-17	
1707400	4-9	31	2013088	8-23	9		10-19	21	2058126	8-23	
1707401	4-9	21		9-17	9		10-21	21	2058127	9-17	
1707402	4-7	22	2013089	8-24	10	2043532	10-17	21	2058214	8-23	1
	4-9	26		9-18	10		10-19	21		9-17	1
1707403	4-9	22	2013099	8-24	15		10-21	21	2058216	9-17	1
1707404	4-9	24		9-18	15	2043533	10-17	11	2058217	8-23	1
1707405	4-9	25	2022617	1-13	31		10-19	18	2058218	9-17	1
1707406	4-9	28	2026224	4-14	4		10-21	18	2058219	8-23	1
1707407	4-7	15	2026225	4-14	5	2043534	10-17	11	2058222	8-23	1
	4-9	16	2027655	1-14	42		10-19	18	2058224	9-17	1
1707426	4-7	7	2027694	1-5	2		10-21	18	2058253	9-17	1
1707427	4-7	18		1-7	2	2044370	6-45	4	2058256	9-17	1
1707428	4-7	20	2034347	1-85	2	2044371	4-5	9	2058260	9-17	1
1707429	4-7	19	2035275	2-51	2		6-47	5	2058327	9-17	
1707430	4-7	21		2-55	15	2044515	4-3	40	2058328	8-23	
1707679	5-5	13		2-59	4	2045872	9-9	7	2058329	9-17	
1707681	6-29	12		2-63	4		9-11	6	2058331	8-23	
	6-37	13		2-69	22	2046035	4-7	12	2058333	8-23	
1708051	3-13	1		2-74	7		4-9	14	2058335	9-17	
1708052	3-13	2		2-74	8	2052903	2-31	5	2058338	8-23	
1708055	3-13	4		2-79	21		2-35	7	2058340	9-17	
1708056	3-13	6		2-84	7	2053797	8-23		2058501	9-11	1
1708057	3-13	7		2-84	8		9-17			9-11	1
1708058	3-13	8	2035276	2-48	6	2053798	9-17		2058503	9-11	1
1708059	3-13	9		2-51	2	2053799	8-23			9-11	1
1708060	3-13	10		2-52	27	2054715	7-3		2058505	9-11	1
1708221	1-61	26		2-52	28		7-5		2058507	9-11	1
	1-63	24		2-56	15	2054717	7-3		2058510	9-11	1
1708235	1-63	25		2-59	4		7-5		2058512	9-11	1
1708236	1-63	27		2-60	25	2054719	7-3		2058537	9-9	1
1708237	1-63	23		2-60	26		7-5			9-9	1
1708238	1-63	22		2-63	4	2054724	7-3		2058539	9-9	1
1708364	10-41	5		2-68	8		7-5			9-9	1
	10-43	19		2-68	9	2054729	7-3		2058541	9-9	1
	10-47	5		2-69	22		7-5		2058543	9-9	1
	10-49	23		2-74	7	2054754	7-3		2058546	9-9	1
	10-53	5		2-74	8		7-5		2058548	9-9	1
	10-55	17		2-78	6	2054756	7-3		2058620	9-11	
1709587	2-43	8		2-78	7		7-5		2058622	9-11	
	2-45	8		2-79	21	2054758	7-3		2058624	9-11	
1709817	4-14			2-84	7		7-5		2058629	9-11	
1709980	1-13	25		2-84	8	2054763	7-3		2058652	9-9	
1709984	1-5	18		2-93	4		7-5		2058654	9-9	
	1-7	28	2043528	10-17	10	2054768	7-3		2058656	9-9	
1710006	1-13	25		10-19	4		7-5		2058661	9-9	
2007554	2-19	17		10-21	4	2056243	2-52	27	2058824	9-11	
	2-51	16		10-31			2-60	25	2058826	9-11	
	2-60	18	2043529	10-17	10		2-68	9	2058830	9-11	

## NUMERICAL INDEX (continued)

PART NO.	PAGE	ITEM	PART NO.	PAGE	ITEM	PART NO.	PAGE	ITEM	PART NO.	PAGE	ITEM
2058835	9-11		2064145	7-12		2064648	8-16			8-27	1
2060423	9-9		2064147	7-12		2064651	8-16		2065212	9-23	4
2060425	9-9		2064152	7-12		2064677	8-16			9-23	4
2060429	9-9		2064167	7-12		2064679	8-16		2065214	9-23	4
2060434	9-9		2064169	7-12		2064681	8-16			9-23	4
2060555	2-51	12	2064171	7-12		2064684	8-16		2065215	9-23	4
	2-51	13	2064176	7-12		2064710	8-16		2065217	9-23	4
	2-55	13	2064203	7-12	8	2064712	8-16		2065220	9-23	4
	2-55	14	2064205	7-12	8	2064714	8-16		2065222	9-23	4
	2-59	12	2064207	7-12	8	2064718	8-16		2065242	9-23	7
	2-59	16	2064212	7-12	8	2064735	8-16			9-23	7
	2-60	28	2064218	7-12	8	2064737	8-16		2065244	9-23	7
	2-63	8	2064240	7-12	8	2064739	8-16			9-23	7
	2-63	10	2064242	7-12	8	2064743	8-16		2065246	9-23	7
	2-68	5	2064245	7-12	8	2064753	8-23	1	2065247	9-23	7
	2-70	30	2064250	7-12	8	2064754	8-23	1	2065248	9-23	7
	2-70	31	2064256	7-12	8	2064929	2-9	31	2065252	9-23	7
	2-74	9	2064279	7-12	8	2065002	9-24	20	2065397	8-3	
	2-74	10	2064281	7-12	8		9-24	20		8-5	
	2-75	13	2064283	7-12	8	2065004	9-24	20		8-9	
	2-75	14	2064288	7-12	8		9-24	20	2065400	8-3	
	2-78	5	2064293	7-12	8	2065006	9-24	20		8-5	
	2-80	29	2064315	7-12	8	2065008	9-24	20		8-9	
	2-80	30	2064317	7-12	8	2065011	9-24	20	2065404	8-3	
	2-84	9	2064319	7-12	8	2065013	9-24	20		8-5	
	2-84	10	2064324	7-12	8	2065031	9-24	19		8-9	
	2-85	13	2064343	7-12	8		9-24	19	2065411	8-3	
	2-85	14	2064353	7-12		2065033	9-24	19		8-5	
	6-21	19	2064355	7-12			9-24	19		8-9	
2061646	6-35	16	2064357	7-12		2065035	9-24	19	2065457	8-3	
2062651	7-7	15	2064370	7-12		2065037	9-24	19		8-5	
	8-11	11	2064372	7-12		2065040	9-24	19		8-9	
2062652	7-7	15	2064374	7-12		2065050	9-24	19	2065461	8-3	
	8-11	11	2064379	7-12		2065125	8-27	1		8-5	
	9-7	8	2064384	7-12			8-27	1		8-9	
2062686	7-7	10	2064399	7-12		2065139	7-17	1	2065465	8-3	
	8-11	4	2064404	7-12			7-17	1		8-5	
2062687	7-7	10	2064554	1-59		2065141	7-17	1		8-9	
	8-11	4	2064563	8-16	9		7-17	1	2065470	8-3	
	9-7	10	2064565	8-16	9	2065143	7-17	1		8-5	
2062718	6-25	41	2064567	8-16	9		7-17	1		8-9	
2062875	1-43	15	2064571	8-16	9	2065148	7-17	1	2065525	9-3	
	1-45	23	2064587	8-16	9		7-17	1		9-5	
	2-39	2	2064589	8-16	9	2065153	7-17	1	2065529	9-3	
2063645	9-17	1	2064591	8-16	9		7-17	1		9-5	
2063691	8-23	1	2064595	8-16	9	2065162	8-27	1	2065536	9-3	
2063991	6-25	23	2064611	8-16	9		8-27	1		9-5	
	6-37	16	2064613	8-16	9	2065164	8-27	1	2065545	9-3	
2064046	8-23	1	2064615	8-16	9		8-27	1		9-5	
2064106	7-12		2064618	8-16	9	2065167	8-27	1	2065582	9-3	
2064120	7-12		2064644	8-16			8-27	1		9-5	
2064143	7-12		2064646	8-16		2065168	8-27	1	2065586	9-3	

**NUMERICAL INDEX (continued)**

<b>PART NO.</b>	<b>PAGE</b>	<b>ITEM</b>	<b>PART NO.</b>	<b>PAGE</b>	<b>ITEM</b>	<b>PART NO.</b>	<b>PAGE</b>	<b>ITEM</b>	<b>PART NO.</b>	<b>PAGE</b>	<b>ITEM</b>
	9-5		2073087	8-16	11		10-47	8	2091257	7-12	15
2065590	9-3			8-16	11		10-49	20		8-16	16
	9-5			8-16	11	2074859	1-65	8	2091259	7-12	15
2065600	9-3			8-16	11	2075655	1-25	3		8-16	16
	9-5		2073159	9-9	7	2075929	8-20	32	2094067	1-13	3
2065667	1-13	14		9-9	7		8-20	32	2094068	1-13	2
	1-13	19		9-11	6	2075931	8-20	32	2094578	2-5	8
	1-43	11		9-11	6		8-20	32		2-6	1
2066644	10-5	1	2073197	1-27	10	2075933	8-20	32	2094579	2-6	1
2067345	6-47	1	2073766	10-3	4		8-20	32	2094692	6-29	1
2067346	6-47	1	2074400	10-37	4	2075936	8-20	32		6-31	
2068337	6-13	11		10-39	7	2075937	8-20	32	2094693	6-29	1
2068741	2-51	2		10-41	12	2076171	1-25	6		6-31	
	2-52	27		10-43	22	2076752	1-14	48	2094694	6-29	1
	2-52	28	2074401	10-37	5	2077818	8-16	11		6-31	
	2-56	15		10-39	6		8-16	11	2094695	6-29	1
	2-59	4		10-41	11	2078352	10-21			6-31	
	2-60	25		10-43	23	2078354	10-19		2094712	2-23	9
	2-60	26	2074402	10-37	6	2078355	10-17		2094714	2-23	9
	2-63	4		10-39	5	2078356	10-19		2094744	3-5	1
	2-68	8		10-41	9	2078357	10-21		2094745	3-6	4
	2-68	9		10-43	31	2078358	10-17			3-13	
	2-69	22		10-45	4	2078480	9-21			3-15	
	2-74	7		10-47	9	2078481	8-35		2094746	3-6	2
	2-74	8		10-49	19	2078482	7-15			3-13	
	2-78	6	2074403	10-37	7	2078483	7-15			3-17	
	2-78	7		10-39	4	2078484	8-35		2094798	5-2	1
	2-79	21		10-41	8	2078494	9-21		2095405	2-15	5
	2-84	7		10-43	30	2079984	8-16	9	2095850	2-27	9
	2-84	8		10-45	3	2081418	10-37	13	2096392	1-19	12
	2-93	4		10-47	8		10-51	13	2096649	1-13	24
2068888	6-47			10-49	20	2083690	1-25	7	2096694	6-3	2
2068889	6-47		2074404	10-37	4	2084570	8-19	15		6-13	27
2069414	2-48	6		10-39	7	2084572	8-19	15	2096695	6-3	15
	2-93	4		10-41	12	2084574	8-19	15		6-13	22
2069454	10-15	2		10-43	22	2084578	8-19	15	2096696	6-13	31
2070655	1-19	7	2074405	10-37	5	2084654	8-19	15	2096697	6-3	1
2070996	1-3	3		10-39	6	2084656	8-19	15		6-13	28
2071094	4-5	3		10-41	11	2084658	8-19	15	2096699	6-9	14
2071261	1-13	22		10-43	23	2084661	8-19	15	2096710	6-9	1
	10-12	4	2074406	10-37	6	2088124	7-12	10	2096714	6-9	7
	10-15	5		10-39	5		7-12	10	2096869	2-87	
2071862	6-45			10-41	9		7-12	10	2096887	6-3	2
2072657	6-47	7		10-43	31		7-12	10		6-13	27
2072658	6-47	7		10-45	4	2089058	4-3	38	2096888	6-3	1
2072659	6-45			10-47	9	2089162	10-33	6		6-13	28
2072660	6-45	1		10-49	19	2089166	10-33	5	2098661	1-13	30
2072661	6-45	1	2074407	10-37	7	2089167	10-35	5	2098810	6-29	1
2072662	6-45	6		10-39	4	2089168	10-35	6		6-31	
2072663	6-45	6		10-41	8	2090829	8-16	9	2098811	6-29	1
2073084	8-16	9		10-43	30	2091150	2-17	6		6-31	
2073086	8-16	9		10-45	3	2091228	2-17	6	2098968	2-9	3

## NUMERICAL INDEX (continued)

PART NO.	PAGE	ITEM	PART NO.	PAGE	ITEM	PART NO.	PAGE	ITEM	PART NO.	PAGE	ITEM
2098969	2-9	22		6-39		2107952	2-109	1		2-45	5
2098970	2-9	22	2103164	6-37	1	2107969	1-32	27	2110792	2-45	5
2099416	6-3	10		6-39			1-38	39	2110793	2-43	3
2099578	6-13	8	2103165	6-37	1		2-5	5		2-45	3
2099947	1-31	7		6-39		2107970	2-9	15	2110942	2-43	19
	1-37	23	2103359	2-5	9	2107971	2-9	21		2-45	19
2099949	1-32	23		2-93		2108243	2-13	1	2110943	2-43	18
	1-37	24	2103540	2-9	24		2-96			2-45	18
2099950	1-32			2-94		2108249	2-43	5	2111044	1-65	2
	1-38		2103891	4-3	2	2108351	6-26	54		2-113	
2100204	2-53	31		4-5		2108352	6-26	54	2111049	4-7	2
	2-61	31	2104011	6-25	2	2108457	2-104			4-9	2
	2-61	32	2104012	6-25	5	2108497	2-45	1	2111095	1-14	38
	2-68	2		6-25	6	2108498	2-45	1	2111173	6-25	1
	2-78	2	2104014	6-25	3	2108499	2-43	1	2111180	2-13	3
	2-87	6	2104030	1-32	24	2108501	2-45	1		2-15	1
	2-92	19		1-38	36	2108502	2-45	1	2111288	4-9	5
	2-92	20		2-5	1	2108504	2-45	1	2111289	4-7	5
	2-104	4		2-103		2108505	2-43	1	2111717	2-5	16
	2-111	4	2104097	1-32	24	2108506	2-45	1		2-51	
2100367	2-5	18		1-38	36	2108514	2-43	1		2-55	
2100705	2-114			2-5	1	2108516	2-45	1	2111718	2-5	16
	6-25	4		2-101		2108517	2-43	1		2-59	
2100710	1-17	19	2104679	2-6	2	2108518	2-45	1		2-63	
2101120	6-3	11	2105239	3-2	2	2108591	2-5	4	2111754	10-43	8
	6-13	17	2105240	3-2	3		2-109			10-49	8
2101546	2-48	3	2105241	3-2	2	2108948	1-51	6		10-55	6
	2-93	3	2105242	3-2	3		2-106		2111755	10-43	8
2101570	1-13	24	2105360	1-52	2	2108954	1-75	9		10-55	6
2101602	1-31			2-17	4		2-105		2111768	2-43	11
2101603	1-31		2105929	2-5	12	2109109	1-14	38		2-45	11
2101789	1-13	23	2106007	1-3	8	2109110	1-14	38	2111769	2-43	7
2101790	1-13	23	2106559	6-13	6	2109136	6-25	7		2-45	7
2101791	1-13	23	2106668	6-17	12	2109137	6-25	8	2111770	2-43	17
2101792	1-13	23		6-19		2109563	10-15	4		2-45	17
2101893	1-13	16	2106669	6-17	1	2109636	1-49	2	2111799	2-43	6
2101894	1-13	15		6-21			1-83			2-45	6
2101895	1-13	16	2106670	6-17	1	2109637	1-49	2	2111800	2-43	16
2101896	6-25	9		6-21			1-83			2-45	16
2102184	6-26	48	2106956	5-5	15	2109638	1-51	7	2111801	2-43	10
2102292	2-48		2107319	1-5	33		1-57			2-45	10
2102540	6-11	2		1-32	31	2109744	1-51	4	2111803	4-14	2
2102541	6-11	8		1-38	43		1-59	16	2111804	4-14	3
2102542	6-11	1	2107320	2-43	12	2109965	1-49	2	2111852	1-69	7
2102640	1-29	1		2-45	12	2109975	10-12	8		2-9	10
2102712	6-45			6-25	16	2110399	4-10	1		10-6	1
2102713	6-45		2107382	2-9	3	2110791	2-43	2	2302899	6-45	2
2102714	6-47		2107383	2-9	22		2-43	3	2303178	1-27	9
2102715	6-47		2107384	2-9	22		2-43	4	2303500	2-32	15
2103159	6-37	1	2107575	10-9	7		2-45	2		2-32	16
	6-39		2107661	2-86			2-45	3		2-32	18
2103160	6-37	1		6-25	20		2-45	4		2-32	19



**NUMERICAL INDEX (continued)**

<b>PART NO.</b>	<b>PAGE</b>	<b>ITEM</b>	<b>PART NO.</b>	<b>PAGE</b>	<b>ITEM</b>	<b>PART NO.</b>	<b>PAGE</b>	<b>ITEM</b>	<b>PART NO.</b>	<b>PAGE</b>	<b>ITEM</b>
	2-32	20	4001915	1-21	11	4005184			4008775	3-24	2
	2-32	21	4001916	1-21	11	4005185			4008776	3-10	
	2-36	18	4001918	1-21	4	4005186			4008777	3-5	
	2-36	19	4001919	1-21	4	4005187				3-9	
	2-36	20	4001968	1-83	3	4005188				3-11	
	2-36	21	4001976	1-83	11	4005241	1-5	21		3-15	
	2-36	22	4001977	1-83	12	4005321			4008778	3-10	1
	2-36	23	4002297	2-41	4	4005322			4008779	3-10	2
2306286	2-35	16	4002298	2-41	6	4005923	1-5	29	4008780	3-10	3
2787341	6-21	19	4002299	2-41	5	4005925	1-5	32	4008781	3-10	4
2787350	6-21	19		10-5	12	4005927	1-5	24	4008782	3-10	5
4000090	2-17	7	4002302	2-17	16	4005957	1-5	22	4008783	3-10	6
	2-19	18	4002321	1-17	12	4006597	1-13	37	4008784	3-10	7
4000098	2-19	17	4002322	1-17	13	4006631	2-31	9	4008785	3-10	9
4000206	1-5	10	4002416	5-9	15	4006634	2-31	2	4008786	3-10	10
	1-7	20	4002419	5-9	23	4006636	2-31	2	4008787	6-21	26
4000390	2-27	8	4002420	1-17	8		2-31	9	4008788	3-5	7
4000391	2-27	12	4002516	1-9	8		2-35	2		3-11	5
4000477	2-27	10	4002533	2-5	22		2-36	17	4008789	3-5	8
4000478	2-23	8	4002535	10-5	14	4006660	1-21	5		3-11	13
4000479	2-23	8	4002890	2-21	2	4006661	1-21	6	4009400	1-57	10
4000692	1-5	35	4003230	1-47	5	4006662	2-27	14	4009401	1-57	4
4000825	2-19	6		1-49	5	4006806	1-67	1	4009402	1-57	5
4000840	2-47	1	4003770	2-19	3	4006807	1-67	2	4009404	1-77	1
4000870	1-13	36	4004139	1-61	20	4006812	1-67	3	4009405	1-77	32
4000872	1-13	33		1-63	4	4006813	1-67	8	4009406	1-75	11
4000964	1-13	9	4004140	1-61	5	4006815	1-67	6	4009407	1-77	12
4001069	1-19	4	4004651	1-5	27	4007052	1-43	5	4009408	1-75	7
4001070	1-19	3	4004693	1-5	31		1-45	4		1-77	33
4001071	1-19	5	4004710	1-5	30	4007318	1-32	18	4009409	1-59	6
4001242	1-9	1	4004775	1-45	18		1-38	30	4009410	1-59	6
4001243	1-9	1	4004776	1-45	20		1-45	17	4009411	1-59	7
4001244	1-9	1	4004903			4007319	1-45	15	4009412	1-59	7
4001245	1-9	1	4004904			4007501	5-9	1	4009413	1-59	4
4001291	1-13	6	4004912	1-32	19	4008020	8-32	34	4009414	1-59	3
4001311	2-19	1		1-37	19		9-23	6	4009488	10-11	3
	2-21		4004948			4008520	2-39	1	4009543	5-11	
4001474	1-13	6	4004950	6-5	15	4008521	2-39	1	4009776	1-79	12
4001475	1-13	6	4004951			4008522	2-31	3	4009777	1-79	8
4001476	1-13	6	4004958			4008523	2-31	3	4009778	1-79	4
4001477	1-13	6	4004959			4008728	2-31	10	4009779	1-79	10
4001479	1-13	6	4004960			4008762	3-17	7		1-81	8
4001541	2-39	4	4005010	1-45		4008763	3-19	2	4009780	1-79	6
4001542	2-39	4	4005174			4008764	3-19	1		1-81	6
4001573	1-17	1	4005175				3-21		4009781	1-79	7
4001574	1-17	1	4005177			4008765	3-19	4		1-81	2
4001697	1-17	6	4005178				3-23		4009782	1-79	5
4001753	2-92	21	4005179			4008766	3-19	3		1-81	11
	2-92	22	4005180				3-24		4009783	1-79	2
4001844	6-17	8	4005181			4008767	3-21	3		1-81	4
4001845	6-17	6	4005182			4008768	3-21	2	4009816	1-5	17
4001848	6-25	18	4005183			4008772	3-23	7	4009817	1-5	17

## NUMERICAL INDEX (continued)

PART NO.	PAGE	ITEM	PART NO.	PAGE	ITEM	PART NO.	PAGE	ITEM	PART NO.	PAGE	ITEM
4010024	6-5	8	4012532	3-2		4018059	1-13	34	4029548	2-36	18
4010329	10-9	3	4012533	3-2		4018085	6-25	18	4029549	2-36	19
4010362	1-5	10	4012534	4-14		4018088	6-25	18	4029550	2-36	20
	1-7	20	4012552	1-21	1	4018097	1-14		4030335	2-35	9
4010473	2-17	16	4012553	1-21	1	4019192	2-5	20	4030336	2-36	17
4010475	5-5	1	4013095	1-37	9		2-13	5	4030337	2-35	16
4010768	1-14	45	4013558	1-81	12	4019372	3-6	4	4030381	2-35	9
4010769	1-14	46	4013559	1-79	9		3-13	3	4030398	2-35	2
4010770	1-14	44		1-79	9	4019373	3-6	2	4030399	2-35	1
4010771	1-14	43		1-81	12		3-13	3	4030400	2-35	1
4010772	1-14	46	4013610	1-81	9	4020999	1-5	8	4030459	2-5	22
4010773	1-14	46	4013611	1-81	1		1-7	18	4031653	10-3	3
4010774	1-14		4013612	1-81	3	4021140	5-11		4032460	1-38	
4010775	1-14		4013928	10-43	7	4021141	5-11	8	4032461	1-38	
4010784	1-3	14		10-49	7	4021465	3-6		4033792	6-21	19
4010785	1-3	14		10-56	30	4021466	3-6		4033793	6-21	18
4010845	1-71	3	4014437	1-17	8	4021467	3-6		4033794	6-21	23
4010846	1-71	1	4014438	1-17	8		3-13		4033955	10-17	13
4010847	1-71	5	4014440	5-11	8	4021618	8-32	20		10-19	7
4010848	1-71	7	4014497	1-17	9	4022906	8-20	34		10-21	7
	1-73		4014500	1-5	5	4022940	8-20	36	4033960	10-17	13
4010849	1-71	6	4015541	2-27	5	4022979	1-67	4		10-19	7
4010850	1-73	1	4015542	2-27	3	4022980	1-67	7		10-21	7
4010851	1-73	2	4015720	8-19	8	4022981	1-67	9	4034634	10-23	7
4010852	1-73	3	4015831	1-21	3	4022982	1-67	10		10-25	7
4010853	1-73	12	4015832	1-21	3	4022983	1-67	5		10-27	7
4010854	1-73	8	4016012	1-19	5	4022984	1-67		4034635	10-23	7
4010855	1-73	13	4016013	1-19	3	4022985	1-67			10-25	7
4010856	1-73	14	4016167	3-21	18	4022986	1-67			10-27	7
4010857	1-73	15	4016169	3-23	6	4022998	8-20	29	4034686	8-32	31
4010858	1-73		4016170	3-23	2	4022999	8-20	27	4036718	3-5	
4010859	1-73	6	4016171	3-23	4	4023720	10-11	1		3-9	9
4010863	1-55	1	4016172	3-23	5	4023721	10-11	2		3-11	
4010905	6-37	19	4016313	10-43	5	4024929	6-7	3	4037961	6-31	4
4010907	1-14	39		10-49	5	4025784	6-21	17		6-33	
4011038	6-37	21	4016370	10-49	12	4027207	6-13	33	4037962	6-31	4
4011099	6-5	13		10-56	29	4027341	1-32			6-33	
4011177	6-33	15	4016391	1-11	12		1-38		4039358	5-9	23
4011232	6-26	46	4016800	5-2	1	4027695	10-23	3	4040559	6-29	3
4011591	1-5	17	4016802	5-2	1		10-25	3		6-37	5
	1-7	10	4016924	1-37	1		10-27	3	4043082	1-31	6
4011592	1-5	17	4016926	1-37	3	4028637	6-21	3		1-37	6
4012134	1-52	8	4016928	1-37	1	4028740	6-21		4043405	1-83	1
4012339	1-3	1	4017070	1-14	39	4029210	2-35	13	4043406	1-83	2
4012340	1-3	1	4017848	5-11		4029211	2-35	14	4043407	1-83	1
4012484	4-14	1		6-11	4	4029212	2-35	15	4043408	1-83	2
4012485	3-2	1	4017863	6-26	42	4029214	2-36	22	4043409	1-83	4
4012486	4-14	1		6-26	42	4029215	2-36	23	4043410	1-83	5
4012487	3-2	1	4017864	6-26	42	4029216	2-36	21	4043411	1-83	6
4012501	4-14		4017983	5-5	6	4029339	2-29	3	4043412	1-83	7
4012502	3-2		4017984	5-5	6	4029533	2-25	2	4043413	1-83	8
4012531	3-2		4017992	5-5		4029535	2-25	4	4043414	1-83	9

**NUMERICAL INDEX (continued)**

<b>PART NO.</b>	<b>PAGE</b>	<b>ITEM</b>	<b>PART NO.</b>	<b>PAGE</b>	<b>ITEM</b>	<b>PART NO.</b>	<b>PAGE</b>	<b>ITEM</b>	<b>PART NO.</b>	<b>PAGE</b>	<b>ITEM</b>
4043415	1-83	10		2-79	21	4604553	2-5	13		8-31	1
4043416	1-83	4		2-84	7	4604564	10-43	10	4608532	8-31	1
4043417	1-83	6		2-84	8		10-55	8	4608533	8-31	1
4043418	1-83	7	4600271	2-17	3	4604565	10-43	3	4608560	8-32	40
4043419	1-83	10		2-19			10-55	3		8-32	40
4046448	1-11	16	4600288	6-47	1	4604566	10-43	9	4608562	8-32	40
4046449	1-11	16	4600289	6-47	1		10-55	7		8-32	40
4046451	1-7	1	4600290	6-45	1	4604683	10-43	2	4608564	8-32	40
4046787	2-40		4600291	6-45	1		10-55	2		8-32	40
4046790	2-40	1	4600856	2-41	2	4604773	1-52	1	4608567	8-32	40
4046873			4600890	5-9	11	4604897	5-9	11	4608568	8-32	40
4046874			4600937	6-5	3	4605182	1-37		4608826	2-119	
4046887			4600939	6-5	3	4605183	1-37		4608986	2-13	2
4046891			4600952	6-9	13	4605201	6-3	7		2-111	
4046892			4601396	2-9	20	4605337	2-43	15	4609161	2-5	17
4046893			4601397	2-9	16		2-45	15	4609465	8-32	21
4046897			4601702	6-26	53	4605934	2-115		4609749	2-25	3
4046898			4601819	10-9	1	4605961	1-14	38	4609751	2-25	11
4046899			4601859	6-26	56	4605962	1-14	38		2-29	9
4046906			4602052	2-9	1	4606397	1-14	38	4609752	2-25	13
4046907			4602830	6-17	12	4606509	6-29	1		2-29	11
4046908			4603124	6-9	15		6-31		4610113	2-35	2
4046909			4603125	6-9	16	4606510	6-29	1		2-35	13
4046910				6-9	16		6-31			2-35	14
4046911			4603279	4-10	6	4606511	6-29	1		2-35	15
4046964	1-17	2	4603384	1-31			6-31			2-36	17
4047911	1-7	21	4603385	1-31		4606512	6-29	1	4610727	10-28	2
4047943	1-7	23	4603439	2-43	6		6-31		4610728	10-28	1
4047975	1-7	6		2-45	6	4606515	6-29	1	4610729	10-28	2
4047980	10-23	3	4603492	1-43	14		6-31		4610730	10-28	1
	10-25	3		1-45	22	4606516	6-29	1	4611032	2-25	8
	10-27	3	4603493	1-43	16		6-31			2-29	6
4048326	1-7	26		1-45	24	4606586	6-9	13	4611363	10-17	16
4050140	5-3	1	4603505	6-7	1	4606667	6-13	4		10-19	8
4052569	2-40		4603506	6-7	2	4607262	2-9	24		10-21	8
4054997	2-25	8	4603507	6-7	1		2-99		4611880	10-17	
	2-29	6	4603508	6-7	2	4607299	10-49	3		10-19	
4600243	2-52	27	4603514	2-5	17	4607300	10-49	2		10-21	
	2-52	28	4603669	6-5	2	4607343	3-6	4		10-23	7
	2-60	25	4603670	6-5	1		3-13			10-25	7
	2-60	26	4603671	6-5	4		3-15			10-27	7
	2-68	8	4603672	6-5	2	4607344	3-5	1	4611882	10-17	
	2-68	9	4603673	6-5	1	4607345	3-6	2		10-19	
	2-78	6	4603674	6-5	4		3-13			10-21	
	2-78	7	4603732	2-9	8		3-17			10-23	7
4600244	2-51	2		2-100		4607951	1-65	1		10-25	7
	2-55	15	4603761	10-15	1		1-67			10-27	7
	2-59	4	4603762	10-15	1	4608525	8-31	1	4611906	10-27	2
	2-63	4	4604277	6-9	8		8-31	1	4611907	10-27	1
	2-69	22	4604278	6-9	8	4608527	8-31	1	4611913	10-23	6
	2-74	7	4604283	2-5	2		8-31	1		10-25	6
	2-74	8		2-110		4608529	8-31	1		10-27	6

**NUMERICAL INDEX (continued)**

<b>PART NO.</b>	<b>PAGE</b>	<b>ITEM</b>	<b>PART NO.</b>	<b>PAGE</b>	<b>ITEM</b>	<b>PART NO.</b>	<b>PAGE</b>	<b>ITEM</b>	<b>PART NO.</b>	<b>PAGE</b>	<b>ITEM</b>
4612127	10-29	1		10-53	10		10-53	9	4616326	10-53	8
4612128	10-29	2		10-55	25		10-55	26		10-55	27
4612129	10-29	1	4613399	10-51	5	4613404	10-51	7	4616420	10-53	10
4612130	10-29	2		10-53	9		10-53	7		10-55	25
4612139	2-29	1		10-55	26		10-56	28	4616426	10-28	1
4612140	2-25	3	4613400	10-51	7	4613405	10-51	6	4616427	10-28	1
4612273	10-25	2		10-53	7		10-53	8	4616647	10-25	1
4612274	10-25	1		10-56	28		10-55	25	4616648	10-25	2
4612359	10-23	2	4613401	10-51	6		10-55	27	4616719	2-68	
4612360	10-23	1		10-53	8	4613901	8-32	21		2-74	
4612502	2-91			10-55	27	4616324	10-53	9		2-84	
4612511	10-23	2	4613402	10-51	4		10-55	26	4617778	2-78	
4612512	10-23	1		10-53	10	4616325	10-53	7	4618141	10-5	6
4613398	10-51	4	4613403	10-51	5		10-56	28			



