

# **PARTS MANUAL**

---

**H2.0FT, H2.5FT, H3.0FT, H3.5FT  
(P177)**

**CUSTOMER EDITION**

---

***HYSTER***



**SECTIONS**

<b>1</b>	<b>FRAME</b>
<b>2</b>	<b>ENGINE ASSEMBLY-KUBOTA</b>
<b>3</b>	<b>ENGINE ASSEMBLY - YANMAR</b>
<b>4</b>	<b>ENGINE ASSEMBLY-PSI</b>
<b>5</b>	<b>FUEL SYSTEM-LPG</b>
<b>6</b>	<b>FUEL SYSTEM-DIESEL</b>
<b>7</b>	<b>ELECTRICAL SYSTEM-COMMON</b>
<b>8</b>	<b>ELECTRICAL SYSTEM-PSI</b>
<b>9</b>	<b>ELECTRICAL SYSTEM-KUBOTA</b>
<b>10</b>	<b>ELECTRICAL SYSTEM-YANMAR</b>
<b>11</b>	<b>TRANSMISSION</b>
<b>12</b>	<b>DRIVE AXLE</b>
<b>13</b>	<b>STEERING SYSTEM</b>
<b>14</b>	<b>BRAKE SYSTEM</b>
<b>15</b>	<b>HYDRAULIC SYSTEM</b>
<b>16</b>	<b>MAST-TWO STAGE LIMITED FREE-LIFT</b>
<b>17</b>	<b>MAST-TWO STAGE FULL FREE-LIFT</b>

This Parts Manual is divided into 21 major sections which are listed above. Quick reference to these sections can be made by placing the right thumb on the tab of the desired section, bending the book back and thumbing the pages to the corresponding tab.



<b>18</b>	<b>MAST-THREE STAGE FULL FREE-LIFT</b>
-----------	--

<b>19</b>	<b>OPTIONS</b>
-----------	----------------

<b>20</b>	<b>FIELD CONVERSION KITS</b>
-----------	------------------------------

<b>21</b>	<b>NUMERICAL INDEX</b>
-----------	------------------------

This Parts Manual is divided into 21 major sections which are listed above. Quick reference to these sections can be made by placing the right thumb on the tab of the desired section, bending the book back and thumbing the pages to the corresponding tab.



**TABLE OF CONTENTS**

DESCRIPTION	PAGE
<b>A</b>	
ACCUMULATOR AND ATTACHING PARTS .....	19-12
ADD ON OPTION KITS .....	20-2
ADD ON TELEMETRY KITS .....	20-3
AIR CONDITIONER COMPRESSOR	
KUBOTA 2.5 LPG .....	1-46
AIR FILTER ASSEMBLY	
PSI ENGINE .....	5-6
YANMAR 2.6L 3.0L AND 3.3L .....	6-7
AIR INTAKE	
PSI ENGINE .....	5-2
AIR INTAKE AND FILTER SYSTEM	
YANMAR 2.6L 3.0L AND 3.3L - WITH AUXILIARY INTAKE SILENCER .....	6-4
YANMAR 2.6L, 3.0L AND 3.3L DIESEL - WITHOUT AUXILIARY INTAKE SILENCER .....	6-2
AIR INTAKE SYSTEM	
KUBOTA 2.5L LPG .....	5-8
PRE-CLEANER AND DUCT .....	5-4
PRE-CLEANER AND DUCT .....	6-6
ALTERNATOR AND MOUNTING	
YANMAR 2.6L, 3.0L AND 3.3L - DIESEL .....	10-5
ALTERNATOR AND PULLEY ASSEMBLY	
KUBOTA 2.5L .....	2-40
ARMREST ASSEMBLY	
MINI-LEVER MODULES - FULL SUSPENSION SEAT .....	1-28
AUDIBLE ALARM KITS .....	20-3
AUXILIARY ONE AND TWO	
MANUAL CONTROL VALVE - THREE AND FOUR FUNCTION .....	15-38
AUXILIARY QUICK DISCONNECT MANIFOLD AND HOSES	
THREE STAGE FULL FREE-LIFT (DUAL AUXILIARY WITH E-HYDRAULICS - THREE AND FOUR FUNCTION .....	19-32
THREE STAGE FULL FREE-LIFT (SINGLE AUXILIARY WITH E-HYDRAULICS - THREE FUNCTION .....	19-28
THREE STAGE FULL FREE-LIFT (SINGLE AUXILIARY WITH INTEGRAL SIDE-SHIFT AND E- HYDRAULICS) - FOUR FUNCTION .....	19-30
TWO STAGE LIMITED FREE-LIFT (DUAL AUXILIARY WITH E-HYDRAULICS) - THREE AND FOUR FUNCTION .....	19-26
TWO STAGE LIMITED FREE-LIFT (SINGLE AUXILIARY WITH E-HYDRAULICS) - THREE FUNCTION .....	19-22
TWO STAGE LIMITED FREE-LIFT (SINGLE AUXILIARY WITH INTEGRAL SIDE-SHIFT AND E- HYDRAULICS) - FOUR FUNCTION .....	19-24
AUXILIARY TUBES	
THREE STAGE FULL FREE-LIFT - MANUAL AND E-HYDRAULICS VALVE WITH QUICK DISCONNECT .....	19-18
THREE STAGE FULL FREE-LIFT - MANUAL AND E-HYDRAULICS VALVE WITHOUT QUICK DISCONNECT .....	19-20
TWO STAGE LIMITED FREE LIFT - WITH MANUAL AND E-HYDRAULICS VALVE WITHOUT QUICK DISCONNECT .....	19-14
TWO STAGE LIMITED FREE LIFT - MANUAL AND E-HYDRAULIC VALVE WITH QUICK DISCONNECT .....	19-16

**TABLE OF CONTENTS (continued)**

<b>DESCRIPTION</b>	<b>PAGE</b>
AUXILLIARY HOSES	
THREE STAGE FULL FREE LIFT - TWO STAGE LIMITED FREE-LIFT .....	15-20
<b>B</b>	
BACK-UP ALARM .....	19-6
BALANCER	
PSI 2.4L .....	4-54
BATTERY CABLES	
2.4L PSI LPG .....	8-2
2.5L KUBOTA LPG .....	9-6
BOLT ON CAB WITH STANDARD (HIGH) OVERHEAD GUARD	
FRONT SCREEN WITH WIPER/WASHER - PAGE 1 OF 2 .....	1-30
FRONT SCREEN WITH WIPER/WASHER - PAGE 2 OF 2 .....	1-32
PVC DOORS .....	1-36
REAR SCREEN WITH WIPER/WASHER - PAGE 1 OF 2 .....	1-38
REAR SCREEN WITH WIPER/WASHER - PAGE 2 OF 2 .....	1-40
TOP SCREEN .....	1-34
BRAKE ASSEMBLY	
DRY BRAKE .....	14-6
BRAKE COOLING SYSTEM	
SINGLE PEDAL WET BRAKE - WITH DUAL SPEED TRANSMISSION .....	14-14
SINGLE PEDAL WET BRAKE - WITH SINGLE SPEED TRANSMISSION .....	14-16
BRAKE LINKAGE	
SINGLE PEDAL - DRY BRAKE .....	14-2
SINGLE PEDAL - WET BRAKE .....	14-10
BRAKE MASTER CYLINDER ASSEMBLY	
DRY BRAKE .....	14-4
WET BRAKE .....	14-12
<b>C</b>	
CAB HEATER COOLANT	
PSI 2.4L .....	4-36
CAMSHAFT AND DRIVE GEAR	
YANMAR 2.6L , 3.0L AND 3.3L, DIESEL .....	3-26
CAMSHAFT AND VALVES	
PSI 2.4L .....	4-52
CAMSHAFT ASSEMBLY	
KUBOTA 2.5L .....	2-48
CARRIAGE	
THREE STAGE FULL FREE-LIFT .....	18-30
TWO STAGE FULL FREE-LIFT .....	17-22
TWO STAGE LIMITED FREE-LIFT .....	16-20
CHARGE PUMP ASSEMBLY .....	11-37
CONTROL VALVE ASSEMBLY	
LOW PRESSURE .....	11-36
MANUAL CONTROL - THREE AND FOUR FUNCTION .....	15-30
CONTROL VALVE LOCKOUT GROUP	
MANUAL CONTROL VALVE .....	15-32



**TABLE OF CONTENTS (continued)**

<b>DESCRIPTION</b>	<b>PAGE</b>
CONVERSION KITS	
COOLING SYSTEM	
2.4L PSI ENGINE .....	4-10
KUBOTA 2.5L .....	2-8
YANMAR 2.6L , 3.0L AND 3.3L, DIESEL, SQUARE WAVE RADIATOR - WITH INTERNAL OIL COOLER .....	3-2
YANMAR 2.6L, 3.0L AND 3.3L, DIESEL, SQUARE WAVE RADIATOR - WITH EXTERNAL OIL COOLER .....	3-4
COUNTER/REVERSE CLUTCH	
DUAL SPEED TRANSMISSION .....	11-32
SINGLE SPEED TRANSMISSION .....	11-22
COUNTERWEIGHT .....	1-4
COUNTERWEIGHT EXHAUST SYSTEM	
YANMAR 2.6L , 3.0L AND 3.3L, DIESEL - WITH VERTICAL MUFFLER .....	3-8
COVER ASSEMBLY	
KUBOTA 2.5L .....	2-32
COWL ELECTRICAL	
ELECTRO-HYDRAULIC .....	7-6
MANUAL HYDRAULIC - WITH OPERATOR PRESENCE SYSTEM .....	7-4
COWL MOUNT .....	1-98
CRANKSHAFT AND PISTON ASSEMBLY	
KUBOTA 2.5L .....	2-28
CRANKSHAFT AND PISTONS	
YANMAR 2.6L , 3.0L AND 3.3L, DIESEL .....	3-28
CRANKSHAFT BEARING ASSEMBLY	
KUBOTA 2.5L .....	2-26
CYLINDER BLOCK	
PSI 2.4L .....	4-46
YANMAR 2.6L , 3.0L AND 3.3L, DIESEL .....	3-16
CYLINDER BLOCK ASSEMBLY	
KUBOTA 2.5L .....	2-14
CYLINDER HEAD	
PSI 2.4L .....	4-44
YANMAR 2.6L , 3.0L AND 3.3L, DIESEL .....	3-12
CYLINDER HEAD ASSEMBLY	
KUBOTA 2.5L .....	2-18
CYLINDER HEAD COVER ASSEMBLY	
KUBOTA 2.5L .....	2-20
<b>D</b>	
DASH PANEL AND STEERING COLUMN COVER .....	1-94
DCR COOLANT CIRCUIT	
PSI 2.4L .....	4-37
DIPSTICK	
PSI 2.4L .....	4-33
DIPSTICK TUBE ASSEMBLY	
KUBOTA 2.5L .....	2-23
DRIVE AXLE	
DRY BRAKE - SHEET 1 OF 3 .....	12-16

## TABLE OF CONTENTS (continued)

DESCRIPTION	PAGE
DRY BRAKE - SHEET 2 OF 3 .....	12-18
DRY BRAKE - SHEET 3 OF 3 .....	12-20
DRY BRAKE - DIFFERENTIAL .....	12-22
WET BRAKE - SHEET 1 OF 6 .....	12-4
WET BRAKE - SHEET 2 OF 6 .....	12-6
WET BRAKE - SHEET 3 OF 6 .....	12-8
WET BRAKE - SHEET 4 OF 6 .....	12-10
WET BRAKE - SHEET 5 OF 6 .....	12-11
WET BRAKE - SHEET 6 OF 6 .....	12-12
<b>DRIVE AXLE AND ATTACHING PARTS</b>	
DRY BRAKE .....	12-14
WET BRAKE .....	12-2
<b>DRIVE TIRES AND WHEELS</b>	
RADIAL TIRE - TRELLEBORG .....	12-26
RADIAL TIRE - CONTINENTAL .....	12-28
RADIAL TIRE - DUAL WHEEL .....	12-30
SOLID .....	12-24
SOLID TIRE - DUAL WHEEL .....	12-25
<b>E</b>	
<b>ECM MOUNT</b>	
PSI 2.4L .....	4-32
<b>ECU ASSEMBLY</b>	
KUBOTA 2.5L .....	2-46
<b>ELECTRICAL SYSTEM</b>	
RH CHASSIS .....	7-2
<b>ELECTRONIC VALVE AUXILIARY ONE SECTION</b>	
THREE AND FOUR FUNCTION .....	15-50
<b>ELECTRONIC VALVE AUXILIARY TWO SECTION</b>	
FOUR FUNCTION .....	15-52
<b>ELECTRONIC VALVE LIFT SECTION</b>	
WITH VARIABLE DISPLACEMENT PUMP .....	15-46
<b>ELECTRONIC VALVE OUTLET SECTION</b>	
THREE AND FOUR FUNCTION .....	15-54
<b>ELECTRONIC VALVE TILT SECTION</b>	
THREE AND FOUR FUNCTION .....	15-48
<b>ELECTRONIC VALVE TRANSITION SECTION</b>	
WITH VARIABLE DISPLACEMENT PUMP .....	15-44
<b>ENGINE COOLING</b>	
YANMAR 2.6L , 3.0L AND 3.3L, DIESEL .....	3-30
<b>ENGINE ELECTRICAL</b>	
PSI 2.4L .....	4-22
<b>ENGINE ELECTRICAL SYSTEM</b>	
2.5L KUBOTA LPG - SINGLE SPEED TRANSMISSION .....	9-2
2.5L KUBOTA LPG - DUAL SPEED TRANSMISSION .....	9-4
PSI LPG .....	8-4
YANMAR DIESEL .....	10-2
<b>ENGINE MOUNT</b>	
KUBOTA 2.5L LPG .....	2-10

**TABLE OF CONTENTS (continued)**

<b>DESCRIPTION</b>	<b>PAGE</b>
ENGINE MOUNTING	
PSI ENGINE .....	4-12
YANMAR 2.6L , 3.0L AND 3.3L, DIESEL .....	3-10
EXHAUST ADAPTER	
PSI 2.4L .....	4-34
EXHAUST MANIFOLD	
PSI 2.4L .....	4-40
EXHAUST MANIFOLD ASSEMBLY	
KUBOTA 2.5L .....	2-38
EXHAUST SYSTEM	
COUNTERWEIGHT EXHAUST WITH CATALYTIC CONVERTER - PSI 2.4L LPG .....	4-8
OVERHEAD EXHAUST WITH CATALYTIC CONVERTER - PSI 2.4L LPG .....	4-4
OVERHEAD EXHAUST WITHOUT CATALYTIC CONVERTER - PSI 2.4L LPG .....	4-6
WITH CATALYTIC CONVERTER - KUBOTA 2.5L .....	2-4
WITHOUT CATALYTIC CONVERTER - KUBOTA 2.5L .....	2-6
<b>F</b>	
FAN ASSEMBLY	
YANMAR DIESEL .....	3-11
FAN PULLEY ASSEMBLY	
KUBOTA 2.5L .....	2-45
FENDER EXTENSIONS .....	1-96
FIRE EXTINGUISHER .....	19-8
FLANGE BREATHER ASSEMBLY	
KUBOTA 2.5L .....	2-30
FLOORPLATES AND COVERS .....	1-90
FLYWHEEL AND HOUSING	
YANMAR 2.6L , 3.0L AND 3.3L, DIESEL .....	3-24
FLYWHEEL HOUSING AND STARTER	
KUBOTA 2.5L LPG .....	2-12
FORK POSITIONER ASSEMBLY .....	19-50
FORKS .....	1-102
FORWARD CLUTCH, HIGH	
DUAL SPEED TRANSMISSION .....	11-30
FREE-LIFT	
TWO STAGE FULL FREE- LIFT .....	17-12
FREE-LIFT CYLINDER	
THREE STAGE FULL FREE-LIFT .....	18-22
TWO STAGE FULL FREE- LIFT .....	17-15
FREE-LIFT CYLINDER AND ATTACHING PARTS	
THREE STAGE FULL FREE-LIFT .....	18-14
FRONT COVER AND OIL PAN	
PSI 2.4L .....	4-48
FRONT END AUXILIARY DRIVE	
PSI 2.4L .....	4-14
FUEL FILTER AND WATER SEPARATOR	
YANMAR 2.6L , 3.0L AND 3.3L, DIESEL .....	6-10
FUEL INJECTION SYSTEM	
YANMAR 2.6L , 3.0L AND 3.3L, DIESEL .....	6-12

## TABLE OF CONTENTS (continued)

DESCRIPTION	PAGE
FUEL REGULATING SYSTEM	
PSI 2.4L .....	4-30
FUEL SYSTEM	
KUBOTA - WITH LOW FUEL SENSOR (SHEET 1 OF 2) .....	5-10
KUBOTA - WITH LOW FUEL SENSOR (SHEET 2 OF 2) .....	5-12
KUBOTA - WITHOUT LOW FUEL SENSOR (SHEET 1 OF 2) .....	5-14
KUBOTA - WITHOUT LOW FUEL SENSOR (SHEET 2 OF 2) .....	5-16
PSI-LPG - WITH LOW FUEL SENSOR .....	5-18
PSI-LPG - WITHOUT LOW FUEL SENSOR .....	5-19
YANMAR 2.6L , 3.0L AND 3.3L, DIESEL .....	6-8
<b>G</b>	
GEAR CASE ASSEMBLY	
KUBOTA 2.5L - 280 MM FAN HEIGHT .....	2-52
GEAR HOUSING	
YANMAR 2.6L , 3.0L AND 3.3L, DIESEL .....	3-20
GEAR PUMP ASSEMBLY	
HIGH PRESSURE .....	15-10
LOW PRESSURE - CHAIN DRIVE OPTION .....	15-8
<b>H</b>	
HAND LEVERS	
FOUR FUNCTION - WITH DETENTED LEVERS .....	15-26
FOUR FUNCTION - WITHOUT DETENTED LEVERS .....	15-28
THREE FUNCTION - WITH DETENTED LEVERS .....	15-22
THREE FUNCTION - WITHOUT DETENTED LEVERS .....	15-24
HEADER HOSE AND ATTACHING PARTS	
TWO STAGE FULL FREE-LIFT .....	17-18
TWO STAGE LIMITED FREE-LIFT .....	16-16
HEADER HOSE CONVERSION KITS	
HEADER HOSES AND ATTACHING PARTS	
THREE STAGE FULL FREE-LIFT - THREE AND FOUR FUNCTION .....	18-26
HEATER HOSE	
2.4L PSI ENGINE .....	1-88
2.5L KUBOTA LPG .....	1-86
HEATER HOSES	
YANMAR DIESEL .....	1-84
HOOD ASSEMBLY .....	1-8
HYDRAULIC CONTROL VALVE	
ELECTRONIC VALVE ASSEMBLY - THREE AND FOUR FUNCTION-WITH VDP .....	15-42
HYDRAULIC FILTER .....	15-14
HYDRAULIC HOSES	
LIFT, TILT, AND AUXILIARY .....	15-16
HYDRAULIC SUPPLY AND RETURN	
WITH ALUMINUM TRANSMISSION - WITH CHAIN DRIVE .....	15-2
WITH VARIABLE DISPLACEMENT PUMP .....	15-4
<b>I</b>	
IGNITION COIL	
PSI 2.4L .....	4-18

**TABLE OF CONTENTS (continued)**

<b>DESCRIPTION</b>	<b>PAGE</b>
IGNITION COIL ASSEMBLY	
KUBOTA 2.5L .....	2-31
IMPACT SENSOR .....	7-10
INLET HOUSING	
PSI 2.4L .....	4-35
INNER MAST	
THREE STAGE FULL FREE-LIFT .....	18-8
TWO STAGE FULL FREE- LIFT .....	17-4
TWO STAGE LIMITED FREE LIFT .....	16-4
INPUT/FORWARD CLUTCH	
SINGLE SPEED TRANSMISSION .....	11-20
INPUT/FORWARD CLUTCH, LOW	
DUAL SPEED TRANSMISSION .....	11-34
INSTRUMENT CLUSTER .....	7-18
INTAKE AND EXHAUST MANIFOLD	
YANMAR 2.6L , 3.0L AND 3.3L, DIESEL .....	3-18
INTAKE MANIFOLD	
PSI 2.4L .....	4-38
INTAKE MANIFOLD ASSEMBLY	
KUBOTA 2.5L .....	2-36
INTEGRAL SIDE-SHIFT	
FORK POSITIONER - TWO STAGE LIMITED FREE-LIFT .....	19-46
FORK POSITIONER - THREE STAGE FULL FREE-LIFT .....	19-48
INTEGRAL SIDE-SHIFT CARRIAGE	
THREE STAGE FULL FREE-LIFT .....	19-36
TWO STAGE FULL FREE-LIFT .....	19-38
TWO STAGE LIMITED FREE-LIFT .....	19-34
INTEGRAL SIDE-SHIFT CYLINDER .....	19-44
INTEGRAL SIDE-SHIFT HYDRAULIC HOSES	
THREE STAGE FULL FREE LIFT .....	19-41
TWO STAGE FULL FREE- LIFT .....	19-42
TWO STAGE LIMITED FREE-LIFT .....	19-40
INTERMEDIATE MAST	
THREE STAGE FULL FREE-LIFT .....	18-6
<b>L</b>	
LABELS	
EXTERIOR .....	1-104
HYDRAULIC CONTROL LABELS - MANUAL HYDRAULIC .....	1-108
INTERIOR .....	1-106
LIFTING EYE .....	19-4
LIGHT KITS .....	20-5
LIGHTS	
BRAKE, TAIL, BACKUP, SIDE, TURN SIGNALS, WORK, STROBE - WITH OVERHEAD GUARD .....	7-12
BRAKE, TAIL, BACKUP, SIDE, TURN SIGNALS, WORK, STROBE - WITH CAB .....	7-14
LOAD BACKREST EXTENSION .....	1-100
LOAD WEIGH ELECTRICAL .....	7-16
LOCK-OFF VALVE	
PSI 2.4L .....	4-28

**TABLE OF CONTENTS (continued)**

<b>DESCRIPTION</b>	<b>PAGE</b>
LPG TANK BRACKET	
SWING OUT .....	5-24
SWING OUT, DROP DOWN .....	5-26
LUBRICATION SYSTEM	
YANMAR 2.6L , 3.0L AND 3.3L, DIESEL .....	3-32
<b>M</b>	
MAIN LIFT	
TWO STAGE FULL FREE- LIFT .....	17-6
TWO STAGE LIMITED FREE LIFT .....	16-6
MAIN LIFT CYLINDER	
THREE STAGE FULL FREE-LIFT .....	18-18
TWO STAGE LIMITED FREE LIFT .....	16-8
TWO STAGE LIMITED FREE LIFT - HIGH LIFT .....	16-12
MAIN LIFT CYLINDER - LH	
TWO STAGE FULL FREE- LIFT .....	17-10
MAIN LIFT CYLINDER - RH	
TWO STAGE FULL FREE- LIFT .....	17-8
MAIN LIFT CYLINDER AND ATTACHING PARTS	
THREE STAGE FULL FREE-LIFT .....	18-10
MANUAL VALVE ANTI STALL GROUP	
SINGLE SPEED TRANSMISSION .....	15-34
MAST ELECTRICAL .....	7-20
MINI LEVER MODULE LABELS	
HYDRAULIC CONTROL FUNCTIONS .....	1-110
MINI-LEVER CONTROLS	
WITH ARMREST - THREE FUNCTION .....	7-24
WITH ARMREST - FOUR FUNCTION .....	7-26
MIRRORS	
WITH CAB .....	19-9
WITH OVERHEAD GUARD .....	19-10
MIXER/EPR AND PCV AIR HOSES	
PSI 2.4L .....	4-24
MODULE CAB	
CONDENSER ASSEMBLY .....	1-52
FRAME AND ATTACHING PARTS - SHEET 1 OF 2 .....	1-54
FRAME AND ATTACHING PARTS - SHEET 2 OF 2 .....	1-56
HEATER .....	1-78
INTERIOR PANELS .....	1-58
LH DOOR .....	1-68
SLIDING REAR WINDOW .....	1-66
WINDOW - LEFT HAND DOOR .....	1-80
WINDOW - RIGHT HAND DOOR .....	1-82
WINDOWS AND WINDOW WIPER SYSTEM .....	1-62
WITH A/C .....	1-50
WITHOUT A/C .....	1-48
MODULE CAB ATTACHING PARTS	
WITH A/C .....	1-60

**TABLE OF CONTENTS (continued)**

<b>DESCRIPTION</b>	<b>PAGE</b>
MODULE CAB DOORS	
PVC .....	1-74
MODULE CAB HEATER WITHOUT AC .....	1-76
MODULE CAB WITH STEEL DOORS	
RIGHT HAND DOOR AND HEATER ASSEMBLY .....	1-70
<b>O</b>	
OIL COOLER ASSEMBLY	
KUBOTA 2.5L - 280 MM FAN HEIGHT .....	2-39
OIL FILTER ASSEMBLY	
KUBOTA 2.5L .....	2-22
OIL PAN	
YANMAR 2.6L , 3.0L AND 3.3L, DIESEL .....	3-22
OIL PAN ASSEMBLY	
KUBOTA 2.5L .....	2-16
OIL PUMP AND FILTER	
PSI 2.4L .....	4-56
OIL PUMP ASSEMBLY	
KUBOTA 2.5L .....	2-24
OUTER MAST	
THREE STAGE FULL FREE LIFT .....	18-2
TWO STAGE FULL FREE LIFT .....	17-2
TWO STAGE LIMITED FREE-LIFT .....	16-2
OUTLET SECTION	
MANUAL CONTROL VALVE - THREE AND FOUR FUNCTION .....	15-40
OVERHEAD EXHAUST SYSTEM	
YANMAR 2.6L , 3.0L AND 3.3L, DIESEL - WITH VERTICAL MUFFLER .....	3-6
OVERHEAD GUARD .....	1-6
<b>P</b>	
PARK BRAKE	
DRY BRAKE .....	14-9
WET BRAKE .....	14-18
PISTON AND CRANKSHAFT	
PSI 2.4L .....	4-50
POWER DISTRIBUTION MODULE .....	7-8
<b>R</b>	
ROCKER COVER	
PSI 2.4L .....	4-42
<b>S</b>	
SEALED ALTERNATOR AND MOUNTING	
YANMAR 2.6 AND 3.3L .....	10-10
SEAT (FULL SUSPENSION ATTACHING PARTS)	
NOT INCLUDED WITH SEAT - SHEET 4 OF 4 WITH MANUAL HYDRAULICS .....	1-18
NOT INCLUDED WITH SEAT - SHEET 4 OF 4 WITH ELECTRO-HYDRAULICS .....	1-20
SEAT (FULL SUSPENSION)	
HIGH BACK - SHEET 1 OF 2 .....	1-22
HIGH BACK - SHEET 2 OF 2 .....	1-26

## TABLE OF CONTENTS (continued)

DESCRIPTION	PAGE
MANUAL AND ELECTRO-HYDRAULIC — SWIVEL AND NON SWIVEL - SHEET 1 OF 4 .....	1-12
RECLINER AND DAMPER KITS - SHEET 3 OF 4 .....	1-16
SERVICE KITS FOR NON SWIVEL AND SWIVEL - SHEET 2 OF 4 .....	1-14
SEAT BELT SWITCH ADAPTER .....	7-80
SOUND ABATEMENT	
WITH CAB .....	1-42
WITHOUT CAB .....	1-44
STARTER	
PSI 2.4L .....	4-20
STATOR SUPPORT HOUSING .....	11-18
STEER AXLE .....	13-14
STEER CYLINDER .....	13-16
STEER TIRES AND WHEELS	
RADIAL - TRELLEBORG .....	13-18
RADIAL - CONTINENTAL .....	13-20
SMOOTH TREAD - TRELLEBORG .....	13-22
STEERING COLUMN AND ATTACHING PARTS	
ISOLATED - DIESEL .....	13-3
NON-ISOLATED - GASOLINE AND LPG .....	13-2
STEERING COLUMN ASSEMBLY	
ISOLATED, DIESEL .....	13-6
NON-ISOLATED - GASOLINE AND LPG .....	13-4
STEERING CONTROL UNIT .....	13-8
VARIABLE DISPLACEMENT .....	13-10
STEERING LINES .....	13-12
STROBE LIGHT	
LED .....	19-2
<b>T</b>	
THROTTLE BODY	
PSI 2.4L .....	4-26
THROTTLE CABLE ASSEMBLY	
YANMAR 2.6L, 3.0L AND 3.3L, DIESEL .....	6-16
THROTTLE PEDAL ASSEMBLY AND ATTACHING PARTS	
MONOTROL PEDAL .....	5-22
MONOTROL PEDAL .....	6-20
STANDARD PEDAL .....	5-20
STANDARD PEDAL .....	6-18
THROTTLE POSITION SENSOR AND ATTACHING PARTS	
YANMAR 2.6L , 3.0L AND 3.3L, DIESEL .....	6-14
TILT CYLINDER AND MAST INSTALLATION .....	15-56
TILT CYLINDERS	
H2.0-2.5FT .....	15-58
H3.0-3.5FT .....	15-60
TORQUE CONVERTER .....	11-12
TORQUE CONVERTER HOUSING AND ATTACHING PARTS	
SINGLE SPEED - ALUMINUM CHAIN DRIVE .....	11-16
TRANSMISSION	
CAST IRON WITH DUAL SPEED, WET BRAKE - SHEET 1 OF 2 .....	11-26



**TABLE OF CONTENTS (continued)**

<b>DESCRIPTION</b>	<b>PAGE</b>
CAST IRON WITH DUAL SPEED, WET BRAKE - SHEET 2 OF 2 .....	11-28
TRANSMISSION COOLING	
2.4L PSI ENGINE .....	11-10
KUBOTA 2.5L LPG - SQUARE WAVE WITH OIL COOLER FOR DUAL SPEED TRANSMISSION .....	11-2
KUBOTA 2.5L LPG - SQUARE WAVE WITHOUT OIL COOLER DUAL SPEED TRANSMISSION .....	11-4
KUBOTA 2.5L LPG - SQUARE WAVE WITHOUT OIL COOLER WITH SINGLE SPEED TRANSMISSION .....	11-6
YANMAR 2.6L , 3.0L AND 3.3L DIESEL - SQUARE WAVE WITH INTERNAL OIL COOLER .....	11-8
TRANSMISSION ELECTRICAL .....	7-22
TRANSMISSION HOUSING AND ASSEMBLY	
SINGLE SPEED - ALUMINUM CHAIN DRIVE .....	11-14
TRANSMISSION INTERFACE	
PSI 2.4L .....	4-16
TRANSMISSION MOUNT	
DUAL SPEED .....	11-24
SINGLE SPEED - ALUMINUM CHAIN DRIVE .....	11-13
<b>V</b>	
VALVE AND ROCKER ARM ASSEMBLY	
KUBOTA 2.5L .....	2-34
VALVE ASSEMBLY, LIFT AND TILT	
MANUAL CONTROL VALVE - THREE AND FOUR FUNCTION .....	15-36
VARIABLE DISPLACEMENT PUMP ASSEMBLY	
TWO SPEED TRANSMISSION - CHAIN DRIVE OPTION .....	15-12
<b>W</b>	
WATER FLANGE AND THERMOSTAT ASSEMBLY	
KUBOTA 2.5L .....	2-42
WATER PUMP	
PSI 2.4L .....	4-58
WATER PUMP ASSEMBLY	
KUBOTA 2.5L .....	2-44
WIRE HARNESS	
ADAPTER - LOW FUEL PRESSURE .....	7-54
AIR CONDITIONER .....	7-82
AIR CONDITIONING JUMPER .....	7-84
ALTERNATOR - DIESEL .....	10-12
ALTERNATOR TO BATTERY DISCONNECT SWITCH - KUBOTA 2.5L .....	9-12
COWL WITH FORWARD/REVERSE LEVER - WITHOUT RETURN TO SET TILT .....	7-32
COWL WITH FORWARD/REVERSE LEVER - WITH HYDRAULIC PUMP SOLENOID .....	7-36
COWL WITH MONOTROL PEDAL - WITH RETURN TO SET TILT .....	7-28
COWL WITH MONOTROL PEDAL - WITH HYDRAULIC PUMP SOLENOID .....	7-40
ELECTRONIC CONTROL VALVE - THREE FUNCTION .....	7-44
ELECTRONIC CONTROL VALVE - FOUR FUNCTION .....	7-46
ENGINE - PSI 2.4L LPG .....	8-6
ENGINE - YANMAR 2.6L , 3.0L AND 3.3L, DIESEL .....	10-6
LIGHTS .....	7-48
RH CHASSIS - KUBOTA 2.5L AND PSI 2.4L LPG .....	7-56
RH CHASSIS - YANMAR 2.6L, 3.0L AND 3.3L, DIESEL .....	7-68

**TABLE OF CONTENTS (continued)**

<b>DESCRIPTION</b>	<b>PAGE</b>
RH CHASSIS WITH SEAT BELT SEQUENCE MODULE - KUBOTA 2.5L AND PSI 2.4L LPG .....	7-62
RH CHASSIS WITH SEAT BELT SEQUENCE MODULE - YANMAR 2.6L, 3.0L AND 3.3L, DIESEL .....	7-74
SEALED ALTERNATOR - YANMAR 2.6L AND 3.3L, DIESEL .....	10-14
TRANSMISSION - SINGLE SPEED .....	7-50
TRANSMISSION - DUAL SPEED .....	7-52
WIRE HARNESS (ENGINE)	
KUBOTA 2.5L LPG .....	9-8
WIRE HARNESS ASSEMBLY	
KUBOTA 2.5L .....	2-50

**ABBREVIATIONS QUICK REFERENCE SHEET**

Listed below are abbreviations used in parts manuals to denote the following expressions:

<b>TERM</b>	<b>DEFINITION</b>	<b>TERM</b>	<b>DEFINITION</b>
Amp	Amperes	FRE	Freezer Environment
AR	As Required	in.	inches
BDI	Battery Discharge Indicators	LPG	Liquefied Petroleum Gas
BWI	Brush Wear Indicator	MAP	Manifold Absolute Pressure
CE	Communicator End	mm	millimeters
CRE	Corrosive Environment	MSTS	Microprocessor Spark Timing System
D/B	Date Break	NPT	National Pipe Threads
dbA	Decibel "A" Scale	O/S	Oversize
DE	Drive End	PTO	Power Take Off
ECH	Empty Container Handler	RPM	Revolutions per Minute
ECH-3	Empty Container Handler - 3 High Stacking	S/N	Serial Number
ECH-4	Empty Container Handler - 4 High Stacking	TMM	Truck Management Module
ECH-5	Empty Container Handler - 5 High Stacking	UL Type D	Diesel-Powered Safety Rating
ECH-6	Empty Container Handler - 6 High Stacking	UL Type DS	Diesel-Powered Safety Rating
ECH-7	Empty Container Handler - 7 High Stacking	UL Type E	Battery-Powered Safety Rating
ECM	Electronic Control Module	UL Type EE	Battery-Powered Safety Rating
ECN	Engineering Change Notice	UL Type ES	Battery-Powered Safety Rating
EEPROM	Electrically Erasable Programmable Read Only Memory	UL Type G	Gasoline-Powered Safety Rating
EPA	US Environmental Protection Agency	UL Type GS	Gasoline-Powered Safety Rating
EPROM	Electrically Programmable Read Only Memory	UL Type LP	Gas-Powered Safety Rating
		UL Type LPS	LP Gas-Powered Safety Rating
		U/S	Undersize
		UL	Underwriters Laboratory
		V	Volts

## HOW TO USE THE ILLUSTRATED PARTS MANUAL

This parts manual describes and illustrates assemblies, subassemblies, and detail parts needed for service replacement.

The different constructions are indicated by keys and footnotes. The callouts correspond to descriptions found on the next page.

**1** - TABLE OF CONTENTS

**2** - SECTIONS

**3** - UNIT CODE G160 EUROPE

**4** - HYSTER

**5** - SECTION 11 NUMERICAL INDEX

**6** - TRANSMISSION HOUSING (⇒ S/N G160-2628)

**7** - HYSTER

**8** - KEY: A: Diesel, B: Gasoline and LPG

**9** - QTY A B

**10** - ITEM PART NO. DESCRIPTION

This Parts Manual is divided into 11 major sections which are listed above. Quick reference can be made by placing the right thumb on the tab of the desired section, bending the book pages to the corresponding tab.

See Service Manual for service procedures.

©2001 HYSTER COMPANY

3-15

HP990135

## HOW TO FIND THE DESIRED PART NUMBER

### WHEN THE PART NUMBER AND THE NEXT HIGHER ASSEMBLY IS NOT KNOWN:

1. Determine the function and application of the part required. Turn to the Sections Page. Choose the general area of reference most likely to include the part.
2. Turn to the section you chose. Use the Section Table of Contents to determine the assembly which would normally contain the part required. Then locate the part on the assembly breakdown page.

### WHEN THE PART NUMBER IS NOT KNOWN AND THE NEXT HIGHER ASSEMBLY IS KNOWN:

3. Determine the assembly the required part is used on. Turn to the Table of Contents (Page i).
4. Locate the assembly the required part is used on and turn to the page indicated for that assembly. Then locate the part on the assembly breakdown page.

### WHEN THE PART NUMBER IS KNOWN:

5. Use the Numerical Index (Page 21-1) to find the part number. Turn to the page listed and locate the part as indicated by the item number.

### GENERAL:

The assembly breakdowns include part numbers, descriptions, quantities required, keys and footnotes to help in selecting correct parts.

6. Parts Supersession Information. Part numbers that have this history will be displayed in the parts list in the order that they were superseded (from oldest to newest). The superseded part numbers will be shown with a line through them.

Five periods in the PART NO. column (. . . . .) indicate that the part is either *Not Serviced Separately* or there is a reference to another figure. A figure reference is denoted by a pointing hand followed by a figure number in the DESCRIPTION column (☞ Figure 10)

7. Keys are used to show two or more similar assemblies, RH and LH assembly parts, etc. Select the appropriate key, "A", "B", "C", "D", or "E" and the corresponding quantity column to find the required parts. Two periods in the QTY column (..) indicate that the part is not used for that assembly.
8. Indented descriptions under the DESCRIPTION column are used to indicate assemblies and

subparts of assemblies. In the example on the previous page, *BEARING CAP* (Item 2) is a subpart of the major assembly *CASE*.

9. Quantities shown are for one assembly. The quantities of the subpart *BEARING CAP* are indicated as two and two. This means two per *CASE* assembly.
10. Serial number breaks identify the most current parts information and are shown as follows:
  - **S/N D001H2628**  
Indicates last serial number affected.
  - S/N D001H2629** →  
Indicates the first serial number affected.
  - S/N D001H1553** ↔ **S/N D001H3291**  
Indicates a range of serial numbers affected.

ECN numbers for pending serial numbers are shown to allow for the inclusion of the most current parts information and are identified as follows:

→ **S/N Pending Per ECN 63243**

Indicates a pending serial number for last unit affected.

**S/N Pending Per ECN 63243** →

Indicates a pending serial number for first unit affected.

Date breaks are used to indicate when a change occurred but a subsequent serial number break was not recorded. This is an arbitrary date usually based on the ECN release and are identified as follows:

→ **D/B 3/00**

Indicates that a change occurred sometime within that month for the item affected.

**D/B 3/00** →

Indicates that a change occurred sometime within that month for the item affected.

**D/B 3/00** ↔ **D/B 4/00**

Indicates a range of production dates of the item affected.

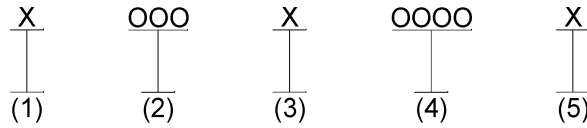
Contact your local dealer for Hyster lift trucks for serial number information for items with a ECN or a date break.

### ORDERING PARTS:

When ordering replacement parts, give the unit serial number, part number, name of part and quantity required.

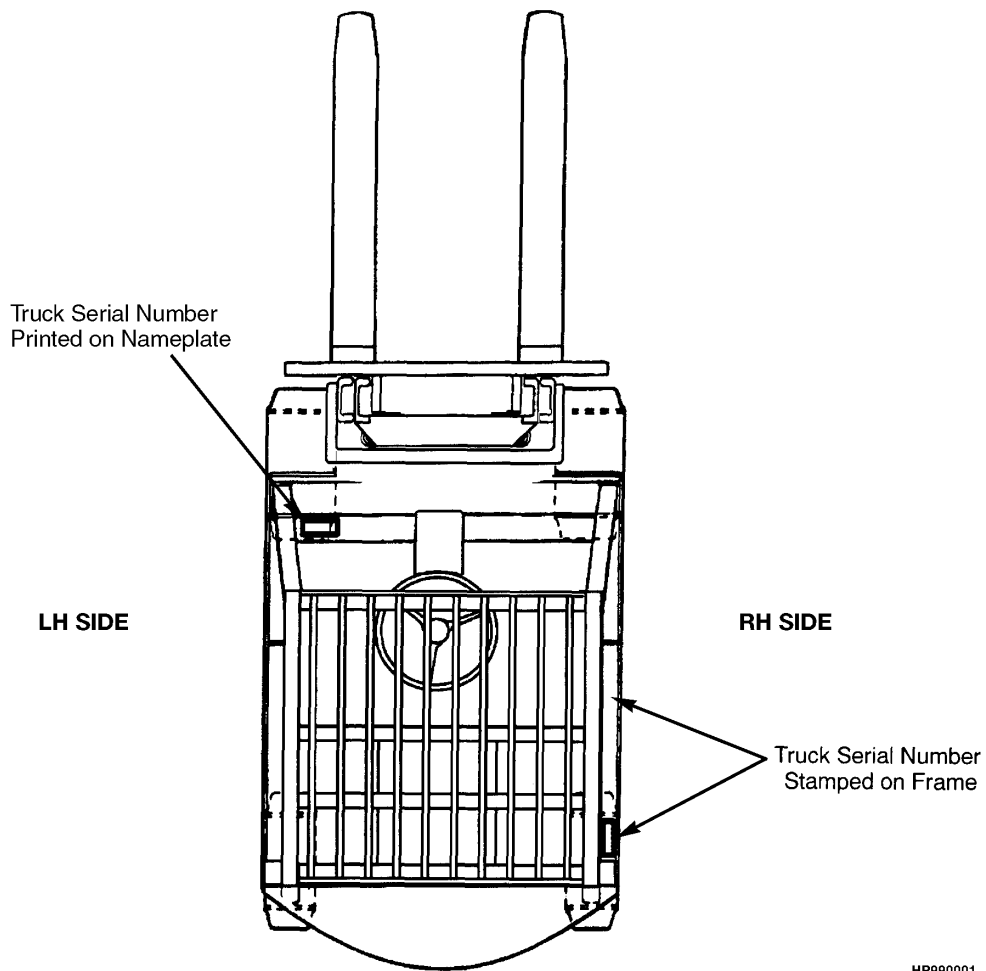
For any further information on parts, service, or ordering, consult your local dealer for Hyster lift trucks.

## IDENTIFICATION OF TRUCK SERIAL NUMBERS



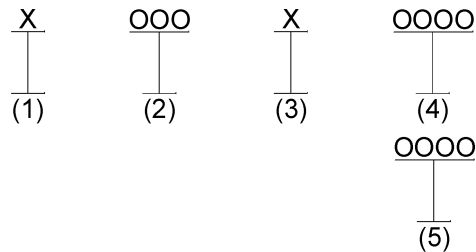
- (1) and (2) The first letter and three numbers indicate the truck unit code.
- (3) The second letter indicates the plant of manufacture.
- (4) The four or five digit number indicates the production sequence number of the truck.
- (5) The final letter indicates the year of manufacture starting with "A" in 1957, 1980, and 2003.  
The letters "I", "O", and "Q" will not be used.

For pending serial numbers contact your local dealer for Hyster lift trucks.



HP990001

Parts referred to in this book as right or left hand parts are in accordance with the illustration above.

**IDENTIFICATION OF MAST SERIAL NUMBERS**

- (1) and (2) The first letter and number indicates the mast unit code.
- (3) The second letter indicates the plant of manufacture.
- (4) The four or five digit number indicates the production sequence number of the mast.
- (5) Carriage travel in millimeters stamped just below the serial number.

Mast Group identification consists of mast unit code (1) and (2) plus carriage travel (5).

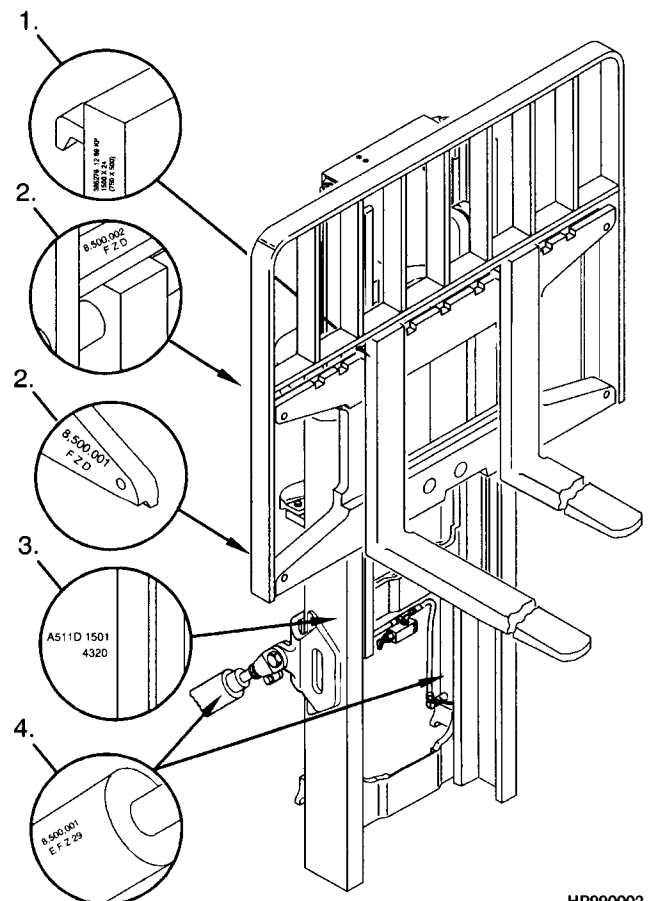
For pending production sequence numbers contact your local dealer for Hyster lift trucks.

**LIFT EQUIPMENT IDENTIFICATION**

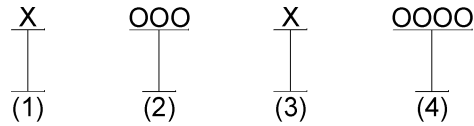
1. Fork part number, capacity rating, plant code letter, and date of manufacture are stamped approximately six inches below the top of most forks.
2. The carriage group number is stamped on the right hand side of the top crossmember (pin type) or on the back of the right hand end of the bottom crossmember (hook type). A date code has two letters in line with or below the carriage group number.
3. The mast identification number has a unit code, a letter indicating the plant of manufacture, and a serial number. Underneath the production sequence number is a four digit number that indicates the carriage travel in millimeters.
4. Tilt and lift cylinder group numbers are stamped on the cylinder shell.

Always refer to the group, serial, or part number when ordering service parts.

Modification of masts and carriages by SPED (Special Products Engineering Department) are identified by a model prefix code beginning with the letter "S". contact your dealer for Hyster lift trucks for information on these assemblies.



HP990002

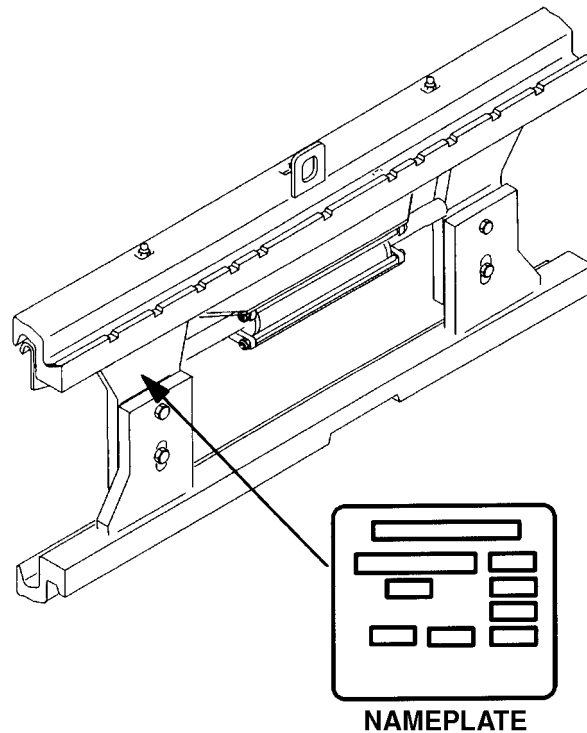
**IDENTIFICATION OF ATTACHMENT AND SIDE-SHIFT CARRIAGE SERIAL NUMBERS**

(1) and (2) The first letter and three numbers indicate the attachment unit code.

(3) The second letter indicates the plant of manufacture.

(4) The four or five digit number indicates the production sequence number.

For pending production sequence numbers contact your local dealer for Hyster lift trucks.



HP990003

Side-shift carriages and attachments have nameplates. Use the serial number found on the nameplate to identify the attachment.

Always refer to the group, serial, or part number when ordering service parts.

Modifications of attachments and side-shift carriages by SPED (Special Products Engineering Department) are identified by a model prefix code beginning with the letter "S". Contact your dealer for Hyster lift trucks for information on these assemblies.



**PUBLICATIONS**

Every new lift truck is provided with an OPERATING MANUAL. This manual has information that the operator must know for inspection and operation of the lift truck.

SERVICE MAINTENANCE MANUALS, which provide service and overhaul procedures, and PARTS

MANUALS with complete replacement part identification, are available at a nominal fee from your Hyster dealer to assist users in effectively maintaining Hyster lift trucks in a safe, useful condition. See the list below for information on ordering specific publications for this model lift truck.

<b>PUBLICATION</b>	<b>HYSTER PART NUMBER</b>
Operating Manual.....	4120480
Service Manual (Complete).....	4120719
Parts Manual.....	4120711



**1**

**FRAME**



**SECTION 1**  
**FRAME**

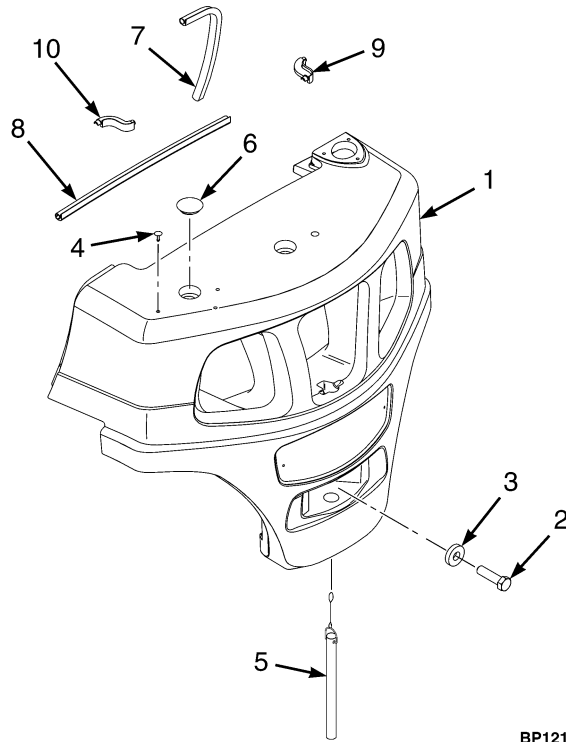
<b>DESCRIPTION</b>	<b>PAGE</b>
AIR CONDITIONER COMPRESSOR	
KUBOTA 2.5 LPG .....	1-46
ARMREST ASSEMBLY	
MINI-LEVER MODULES - FULL SUSPENSION SEAT .....	1-28
BOLT ON CAB WITH STANDARD (HIGH) OVERHEAD GUARD	
FRONT SCREEN WITH WIPER/WASHER - PAGE 1 OF 2 .....	1-30
FRONT SCREEN WITH WIPER/WASHER - PAGE 2 OF 2 .....	1-32
PVC DOORS .....	1-36
REAR SCREEN WITH WIPER/WASHER - PAGE 1 OF 2 .....	1-38
REAR SCREEN WITH WIPER/WASHER - PAGE 2 OF 2 .....	1-40
TOP SCREEN .....	1-34
COUNTERWEIGHT .....	1-4
COWL MOUNT .....	1-98
DASH PANEL AND STEERING COLUMN COVER .....	1-94
FENDER EXTENSIONS .....	1-96
FLOORPLATES AND COVERS .....	1-90
FORKS .....	1-102
HEATER HOSE	
2.4L PSI ENGINE .....	1-88
2.5L KUBOTA LPG .....	1-86
HEATER HOSES	
YANMAR DIESEL .....	1-84
HOOD ASSEMBLY .....	1-8
LABELS	
EXTERIOR .....	1-104
HYDRAULIC CONTROL LABELS - MANUAL HYDRAULIC .....	1-108
INTERIOR .....	1-106
LOAD BACKREST EXTENSION .....	1-100
MINI LEVER MODULE LABELS	
HYDRAULIC CONTROL FUNCTIONS .....	1-110
MODULE CAB	
CONDENSER ASSEMBLY .....	1-52
FRAME AND ATTACHING PARTS - SHEET 1 OF 2 .....	1-54
FRAME AND ATTACHING PARTS - SHEET 2 OF 2 .....	1-56
HEATER .....	1-78
INTERIOR PANELS .....	1-58
LH DOOR .....	1-68
SLIDING REAR WINDOW .....	1-66
WINDOW - LEFT HAND DOOR .....	1-80
WINDOW - RIGHT HAND DOOR .....	1-82
WINDOWS AND WINDOW WIPER SYSTEM .....	1-62
WITH A/C .....	1-50
WITHOUT A/C .....	1-48
MODULE CAB ATTACHING PARTS	
WITH A/C .....	1-60
MODULE CAB DOORS	
PVC .....	1-74
MODULE CAB HEATER WITHOUT AC .....	1-76

**SECTION 1  
FRAME**

<b>DESCRIPTION</b>	<b>PAGE</b>
MODULE CAB WITH STEEL DOORS	
RIGHT HAND DOOR AND HEATER ASSEMBLY .....	1-70
OVERHEAD GUARD .....	1-6
SEAT (FULL SUSPENSION ATTACHING PARTS)	
NOT INCLUDED WITH SEAT - SHEET 4 OF 4 WITH MANUAL HYDRAULICS .....	1-18
NOT INCLUDED WITH SEAT - SHEET 4 OF 4 WITH ELECTRO-HYDRAULICS .....	1-20
SEAT (FULL SUSPENSION)	
HIGH BACK - SHEET 1 OF 2 .....	1-22
HIGH BACK - SHEET 2 OF 2 .....	1-26
MANUAL AND ELECTRO-HYDRAULIC — SWIVEL AND NON SWIVEL - SHEET 1 OF 4 .....	1-12
RECLINER AND DAMPER KITS - SHEET 3 OF 4 .....	1-16
SERVICE KITS FOR NON SWIVEL AND SWIVEL - SHEET 2 OF 4 .....	1-14
SOUND ABATEMENT	
WITH CAB .....	1-42
WITHOUT CAB .....	1-44



## COUNTERWEIGHT (FIGURE 1-1)



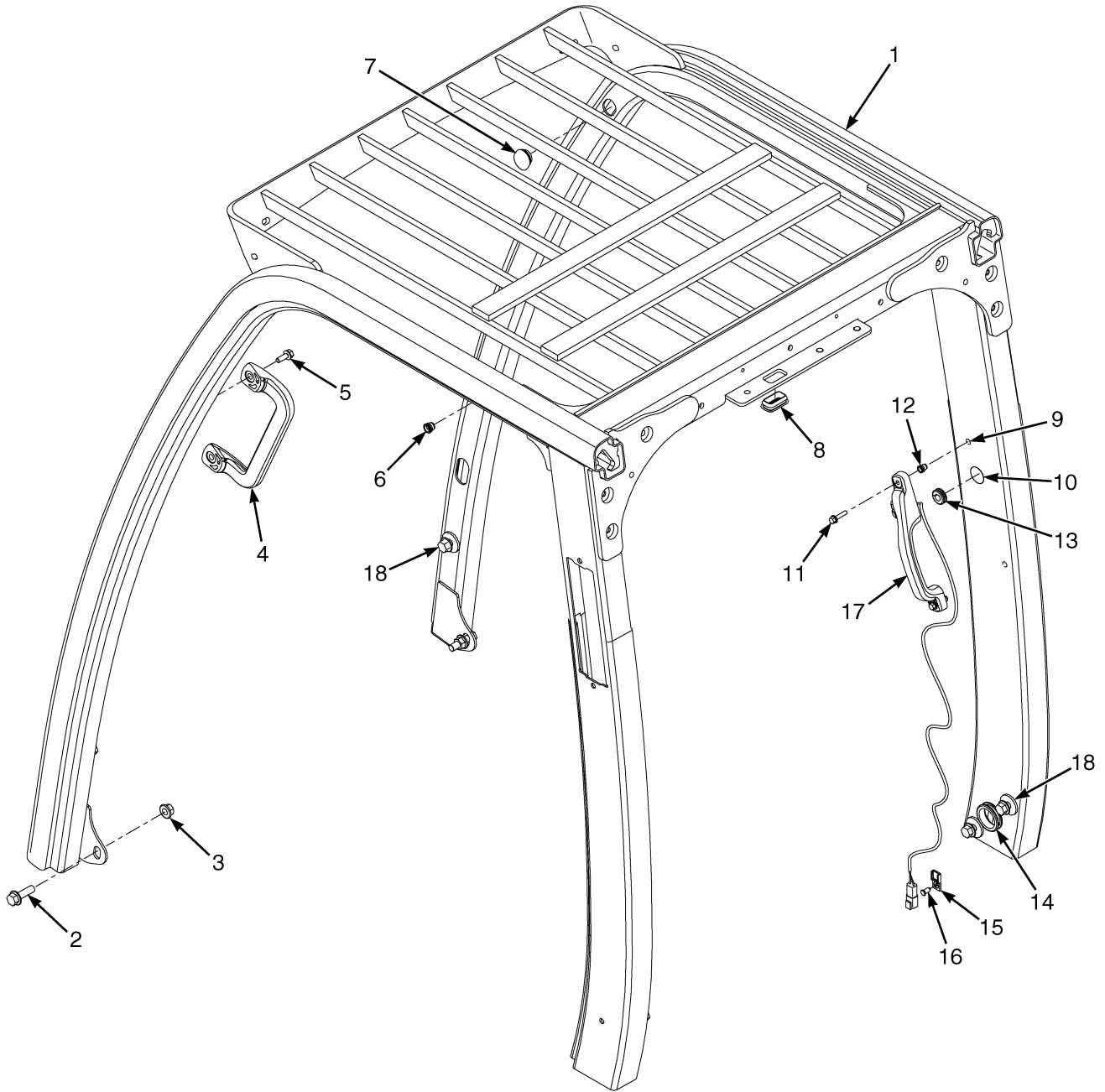
BP121231



**COUNTERWEIGHT**

ITEM	PART NO.	DESCRIPTION	QTY
1	4102196	Counterweight (H2.0FT) .....	1
1	4102197	Counterweight (H2.5FT) .....	1
1	4102198	Counterweight (H3.0FT) .....	1
1	4102199	Counterweight (H3.5FT) .....	1
2	292607	Capscrew (H2.0FT) .....	1
2	292612	Capscrew (H2.5-3.5FT) .....	1
3	1375214	Washer .....	1
4	1347045	Fastener (Diesel) .....	6
5	1643947	Tow Pin .....	1
6	2021395	Cap .....	2
7	1590279	Seal (Counterweight) .....	2
8	1590280	Seal (Counterweight) .....	1
9	1590152	Seal (RH) .....	1
10	1590153	Seal (LH) .....	1

## OVERHEAD GUARD (FIGURE 1-2)



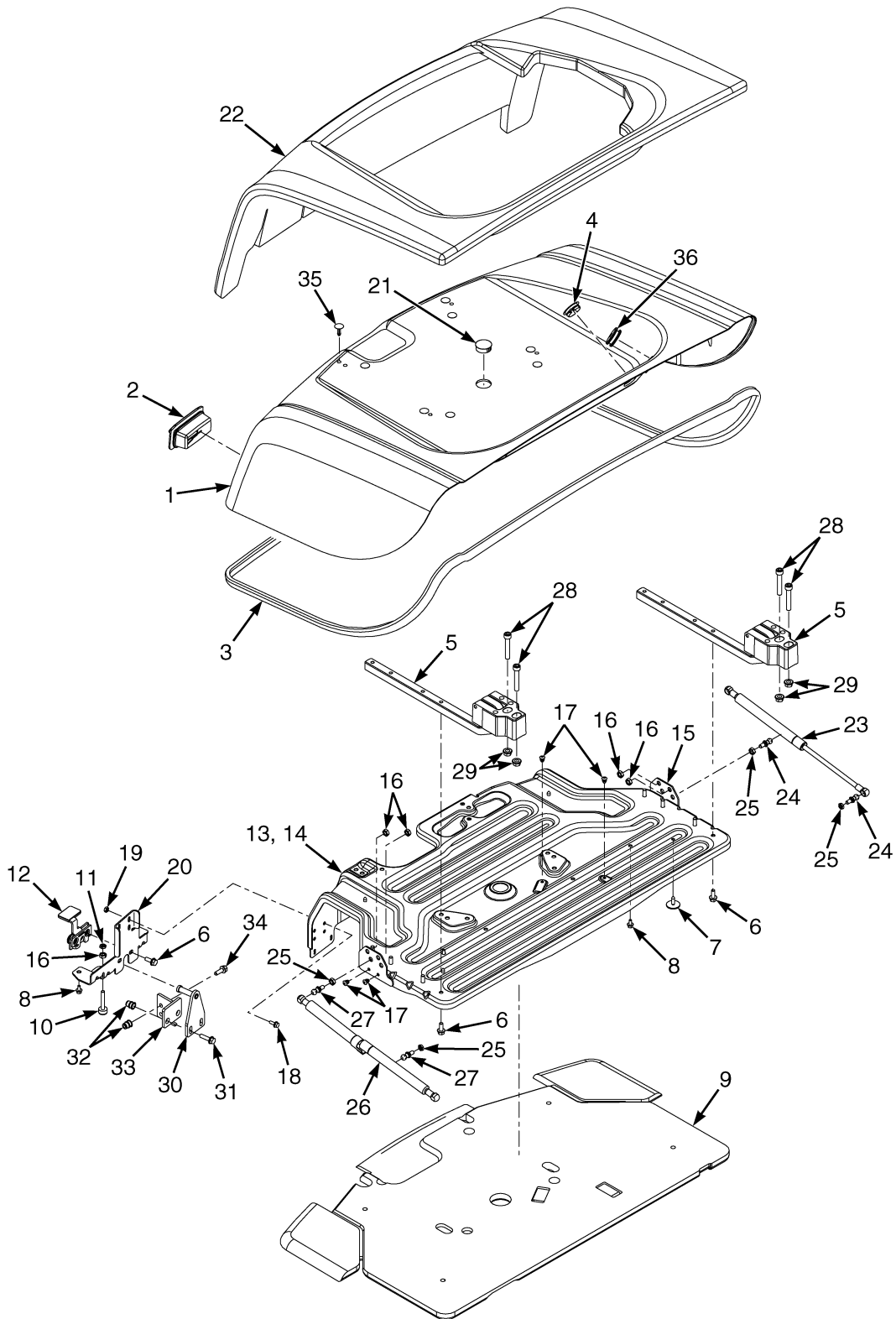
BP120689

**OVERHEAD GUARD**

ITEM	PART NO.	DESCRIPTION	QTY
1	<b>b</b> 4099851	Overhead Guard (Standard) .....	1
1	<b>a</b> 4099852	Overhead Guard (Optional) .....	1
2	4035130	Capscrew .....	2
3	1528888	Nut (Shoulder) .....	2
4	1536813	Handle (Grab) .....	1
5	1583611	Capscrew .....	2
6	1531557	Insert .....	4
7	1558219	Grommet .....	2
8	1560671	Grommet .....	1
9	1494888	Plug .....	4
10	1599415	Plug .....	1
11	1586495	Capscrew .....	2
12	1531558	Insert .....	2
13	1598220	Grommet .....	1
14	362255	Grommet .....	1
15	1500912	Clip .....	1
16	1582464	Fastener .....	1
17	2070223	Handle (Assembly) .....	1
17	2069454	Handle .....	1
17	1566726	Push Button Switch .....	1
17	1493465	Connector (2 Pin) .....	1
17	1330414	Connector (Secondary Lock) .....	1
17	1330437	Terminal (Pin) .....	1
18	1527888	Capscrew .....	6
18	1566853	Capscrew (Optional) .....	6

**FOOTNOTES:****a** 2083 mm Overhead Guard**b** 2159. Overhead Guard

## HOOD ASSEMBLY (FIGURE 1-3)



BP121267

**HOOD ASSEMBLY**

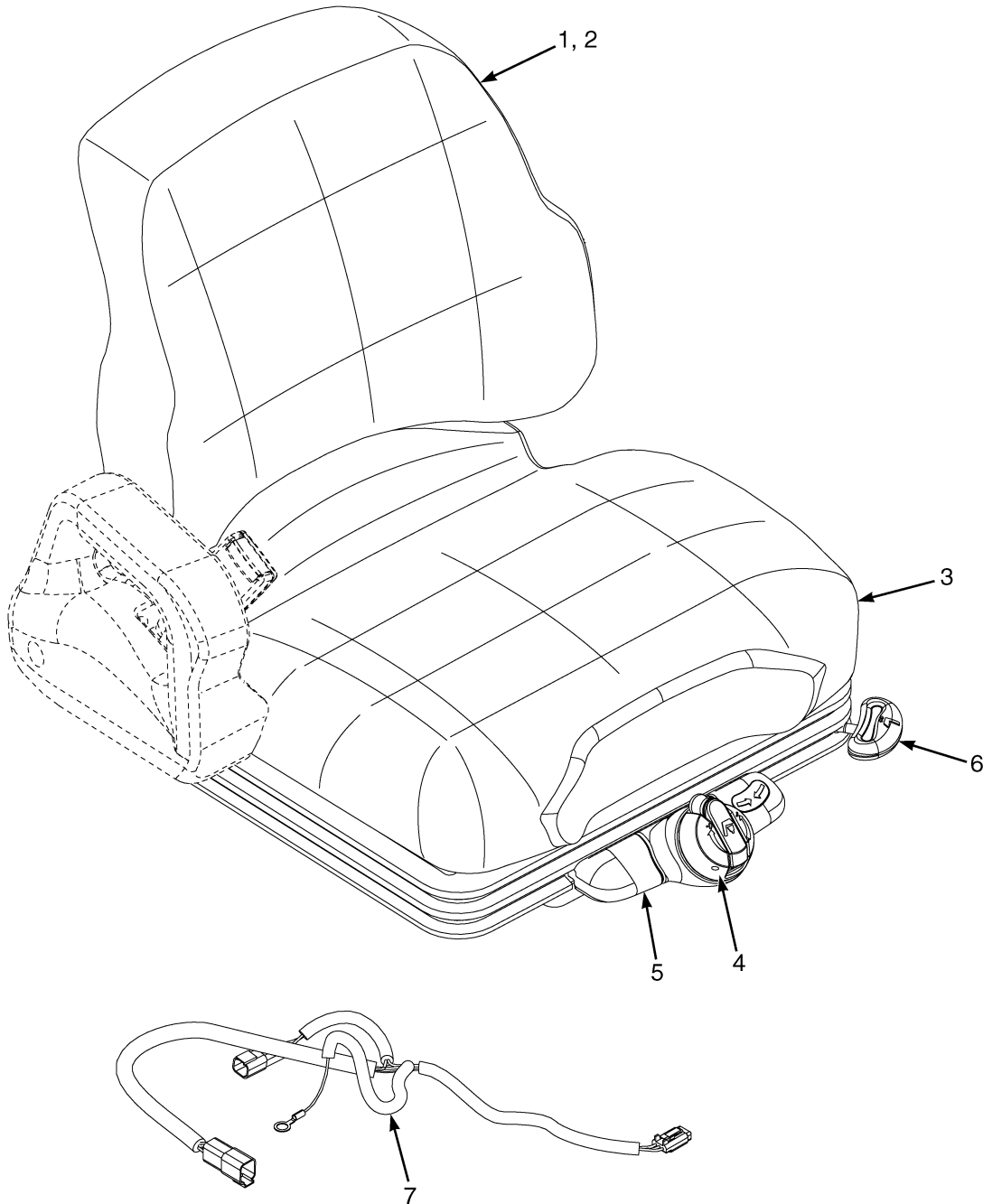
ITEM	PART NO.	DESCRIPTION	QTY
	<b>a</b> 4102464	Hood (With Overhead Guard) .....	1
	<b>b</b> 4102461	Hood (With Overhead Guard) .....	1
	4102462	Hood (With Overhead Guard/Cab) .....	1
1	4015888	Hood (Non-Vented) .....	1
1	4016100	Hood (Vented) .....	1
2	1666732	Boot .....	1
3	1580652	Seal .....	1
4	1616379	Plug (Yellow) .....	1
5	1548618	Hinge .....	2
6	1527880	Capscrew .....	10
7	1304971	Fastener .....	4
8	1534417	Capscrew .....	4
8	1534417	Capscrew (Non-Vented With Cab) .....	6
9	<b>b</b> 4103234	Hood Liner .....	1
9	<b>a</b> 4009546	Liner .....	1
9	4077418	Liner (Non-Vented With Cab) .....	1
10	1585581	Bumper (Hood) .....	2
11	329069	Nut .....	2
12	1387170	Latch .....	1
13	4103841	Hood Reinforcement .....	1
14	4102243	Hood Reinforcement .....	1
15	1608877	Bracket .....	2
16	364868	Nut .....	8
17	1608879	Capscrew .....	4
18	1527876	Capscrew .....	4
19	1324360	Nut .....	4
20	1672560	Plate .....	1
21	1585592	Plug .....	1
22	4009731	Blanket .....	1
23	1563497	Gas Spring (RH) .....	1
24	1563369	Ball Stud (RH) .....	2
25	329069	Nut .....	4
26	<b>e</b> 1563497	Gas Spring (LH) .....	1
26	<b>d</b> 4011435	Gas Spring (LH) .....	1
27	<b>e</b> 1563369	Ball Stud (LH) .....	2
27	<b>d</b> 4011397	Ball Stud (LH) .....	2
28	296032	Capscrew .....	4
29	1460477	Nut .....	4
30	1674131	Striker Bolt .....	1
31	1527881	Capscrew .....	2
32	1530243	Insert .....	4
33	1674030	Hood Support .....	1
34	1583611	Capscrew .....	2
35	1347045	Fastener .....	8
36	4031944	Grommet .....	1
	<b>c</b> 1676836	Hood Liner .....	1

**FOOTNOTES:**

- a** Electro-Hydraulics
- b** Manual Hydraulics
- c** Not Illustrated
- d** With Lift and Latch Option
- e** Without Lift and Latch Option



## SEAT (FULL SUSPENSION) (FIGURE 1-4) MANUAL AND ELECTRO-HYDRAULIC — SWIVEL AND NON SWIVEL — SHEET 1 OF 4



BP121050



**SEAT (FULL SUSPENSION)  
MANUAL AND ELECTRO-HYDRAULIC — SWIVEL AND NON SWIVEL – SHEET 1 OF 4**

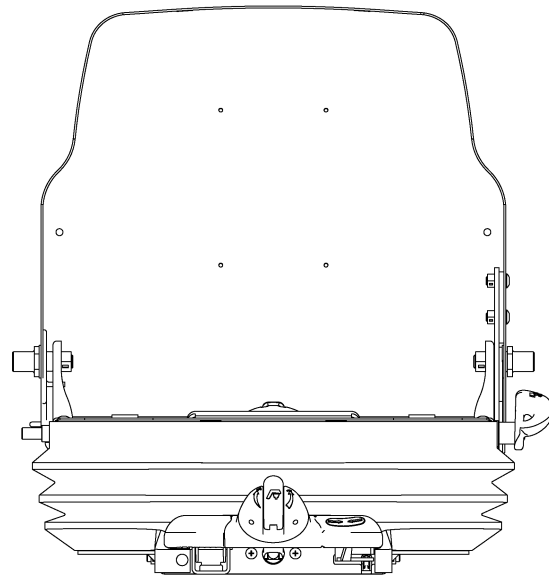
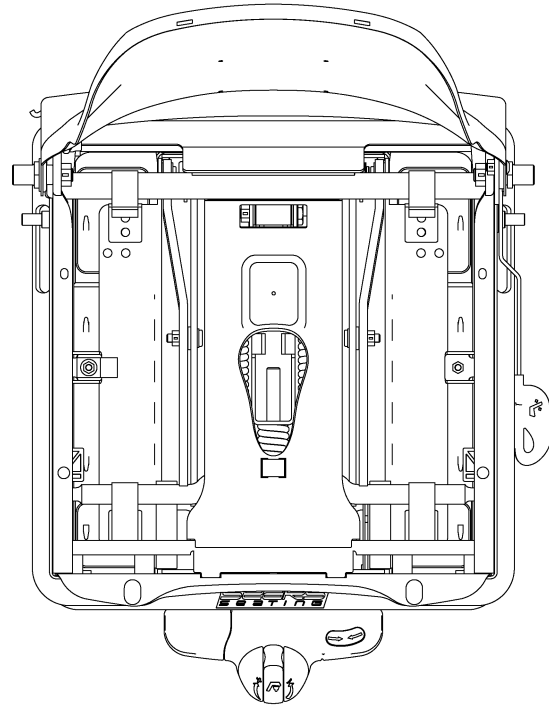
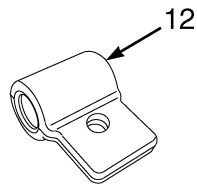
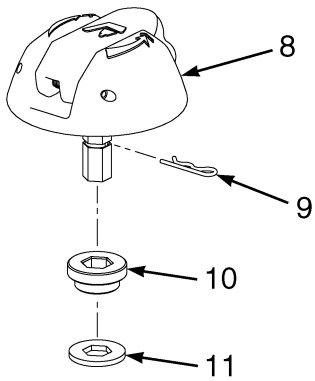
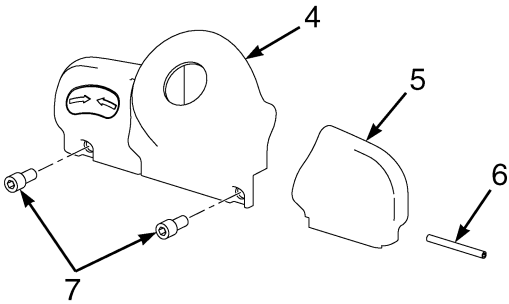
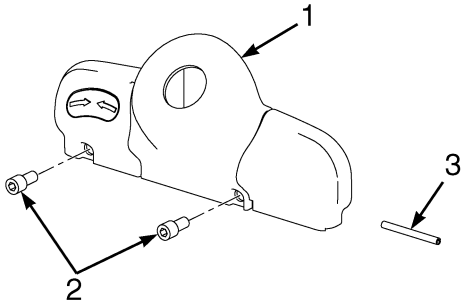
ITEM	PART NO.	DESCRIPTION	QTY
	4603382	Seat-Full Suspension (Vinyl) (Non-Swivel) .....	1
	4603383	Seat-Full Suspension (Cloth) (Non-Swivel) .....	1
	4603384	Seat-Full Suspension (Vinyl) (Swivel) .....	1
	4603385	Seat-Full Suspension (Cloth) (Swivel) .....	1
1	<b>a</b> 1703903	Kit-Cushion (Seat and Back, Vinyl) .....	1
1	<b>a</b> 1703900	Kit-Cushion (Seat and Back, Cloth) .....	1
2	<b>a</b> 1703901	Kit-Cushion (Back Cushion, Vinyl) .....	1
2	<b>a</b> 1703898	Kit-Cushion (Back Cushion, Cloth) .....	1
2	.....	Back Cushion .....	1
2	.....	Screw .....	2
3	<b>a</b> 1703902	Kit-Seat Cushion (Vinyl) .....	1
3	<b>a</b> 1703899	Kit-Seat Cushion (Cloth) .....	1
3	.....	Seat Cushion .....	1
3	.....	Spring .....	2
3	.....	Cotter Pin .....	2
4	<b>a</b> 1703892	Kit-Weight Adjuster (☞Figure 1-5).....	1
5	<b>a</b> 1703893	Kit-Service (Front Panel) (Non Swivel) (☞Figure 1-5).....	1
5	<b>a</b> 1703894	Kit-Service (Front Panel) (With Swivel) (☞Figure 1-5).....	1
6	<b>a</b> 4043082	Kit-Seat Rail (Non Swivel) .....	1
6	<b>a</b> 1703904	Kit-Seat Rail (With Swivel) .....	1
6	.....	Locking Rail .....	1
6	.....	Slave Rail .....	1
6	.....	Bolt .....	4
6	.....	Nut .....	4
7	<b>a</b> 4013095	Wire Harness .....	1
	<b>ab</b> 1470155	Information Case (Kit) .....	1
	<b>ab</b> 4027341	Bracket (Angle Controller) .....	1
	<b>ab</b> 1563208	Sensor (Operator Presence) .....	1

**FOOTNOTES:**

**a** Included with seat

**b** Not Illustrated

## SEAT (FULL SUSPENSION) (FIGURE 1-5) SERVICE KITS FOR NON SWIVEL AND SWIVEL — SHEET 2 OF 4

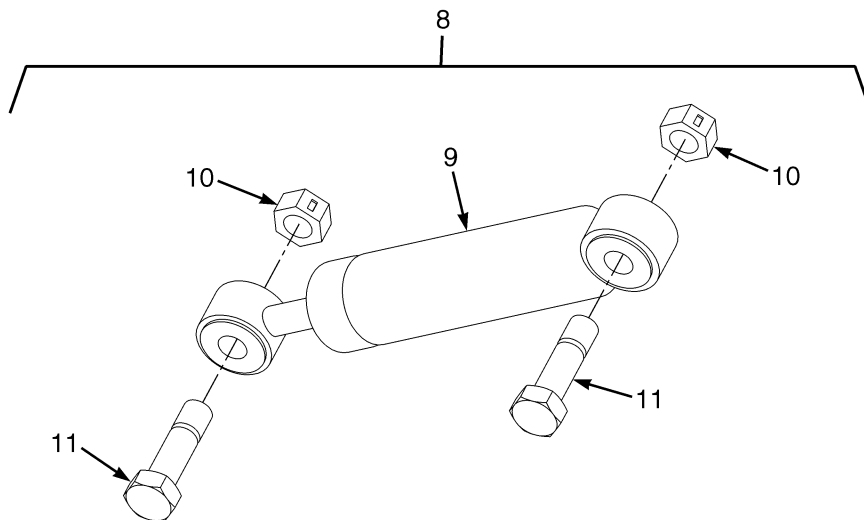
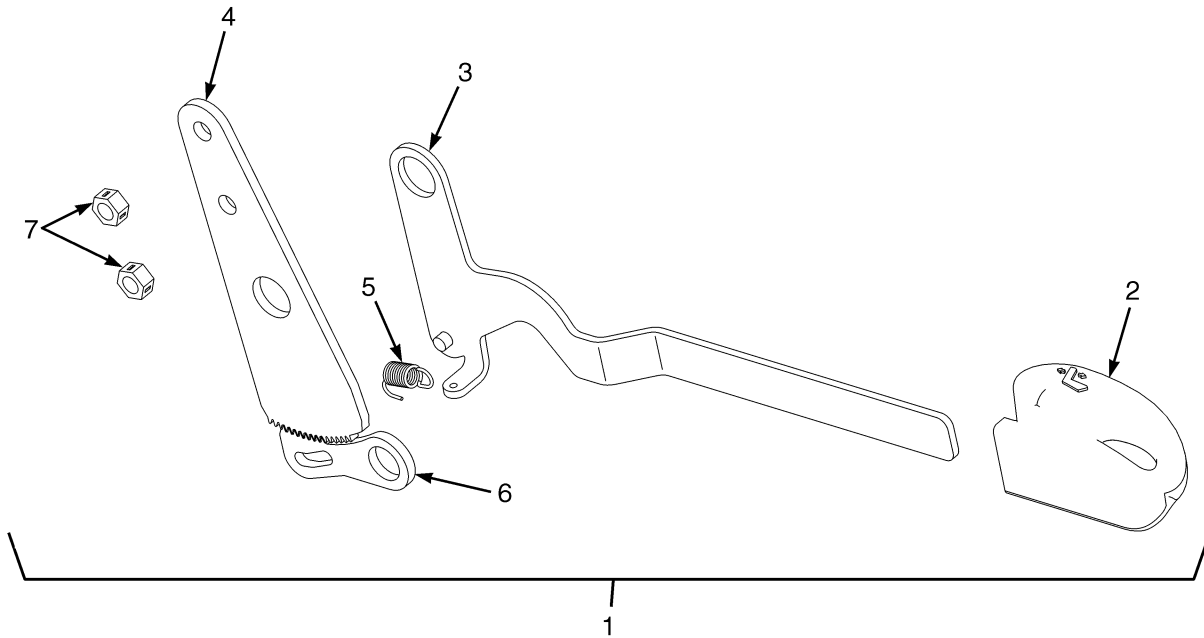


BP121221

**SEAT (FULL SUSPENSION)  
SERVICE KITS FOR NON SWIVEL AND SWIVEL – SHEET 2 OF 4**

ITEM	PART NO.	DESCRIPTION	QTY
	4036586	Kit -Seat Suspension without Swivel .....	1
	4036587	Kit -Seat Suspension with Swivel .....	1
1	1703893	Kit-Service (Front Panel) (Non Swivel) .....	1
1	.....	Front Panel .....	1
2	.....	Capscrew .....	2
3	.....	Roll Pin .....	1
4	1703894	Kit-Service (Front Panel) (With Swivel) .....	1
4	.....	Front Panel .....	1
5	.....	Swivel Knob .....	1
6	.....	Roll Pin .....	1
7	.....	Capscrew .....	2
8	1703892	Kit-Weight Adjuster .....	1
8	.....	Knob .....	1
9	.....	Cotter Pin .....	1
10	.....	Bushing .....	1
11	.....	Washer .....	1
12	4046492	Lever Spring Pull .....	2

## SEAT (FULL SUSPENSION) (FIGURE 1-6) RECLINER AND DAMPER KITS — SHEET 3 OF 4



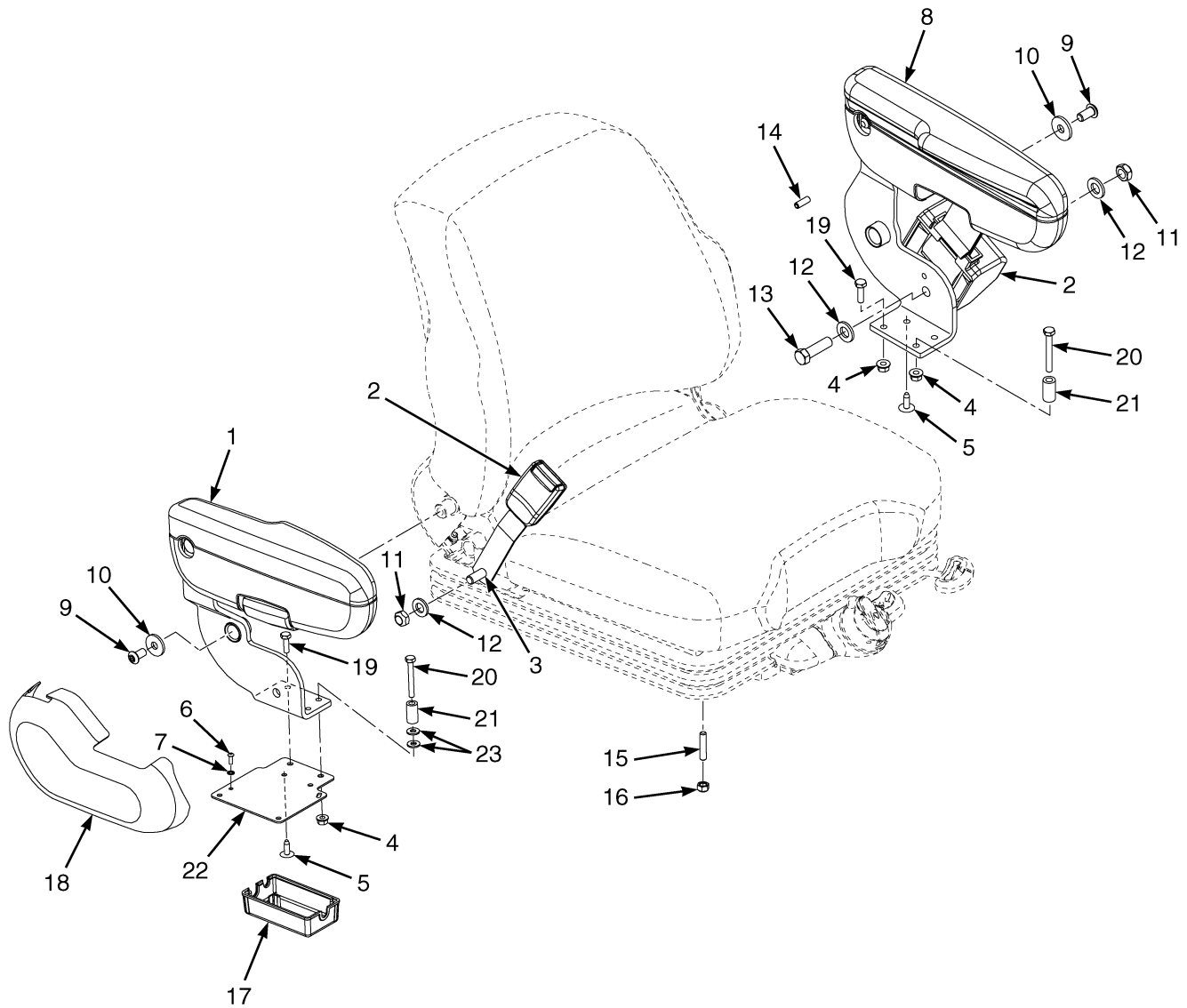
BP120646

**SEAT (FULL SUSPENSION)  
RECLINER AND DAMPER KITS – SHEET 3 OF 4**

ITEM	PART NO.	DESCRIPTION	QTY
1	<b>ab</b> 1703891	Kit-Recliner (Back Seat Adjustment) .....	1
2	.....	Knob .....	1
3	.....	Lever .....	1
4	1482905	Plate .....	1
5	.....	Spring .....	1
6	1482906	Latch .....	1
7	1367150	Nut .....	2
8	<b>a</b> 1703890	Kit-Damper Service .....	1
9	1584632	Damper .....	1
10	1367150	Nut .....	2
11	1584638	Bolt .....	2

**FOOTNOTES:****a** Included with Seat**b** Included with Seat and Non Swivel/Swivel Sets

## SEAT (FULL SUSPENSION ATTACHING PARTS) (FIGURE 1-7) NOT INCLUDED WITH SEAT — SHEET 4 OF 4 WITH MANUAL HYDRAULICS



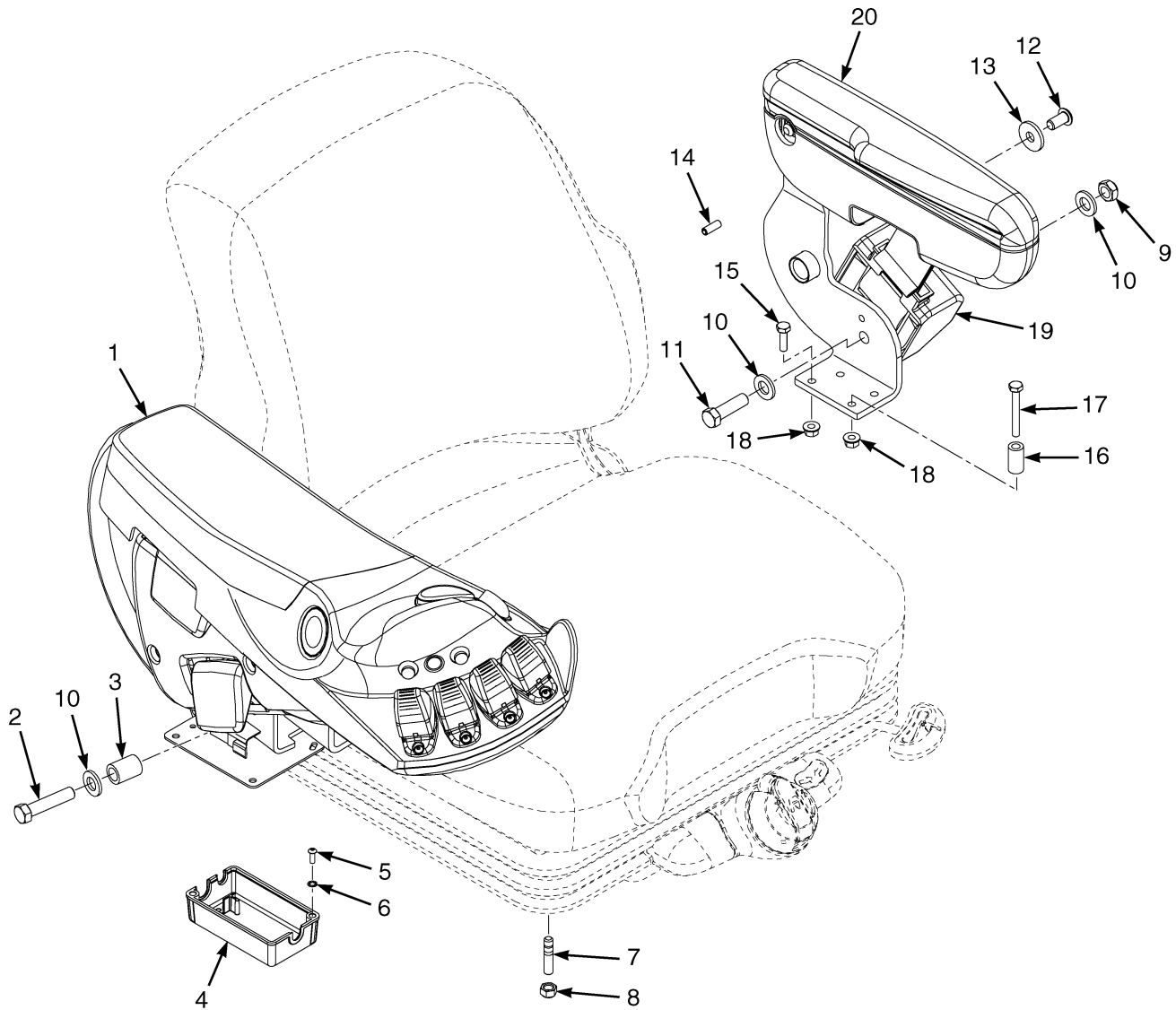
BP121250

**SEAT (FULL SUSPENSION ATTACHING PARTS)**  
**NOT INCLUDED WITH SEAT – SHEET 4 OF 4 WITH MANUAL HYDRAULICS**

ITEM	PART NO.	DESCRIPTION	QTY
1	2099949	Armrest (Right-Hand Side) .....	1
1	1563231	Cushion (RH Armrest) .....	1
2	1636120	Kit-Red Seat Belt High Visibility without Interlock .....	1
2	1598504	Kit-Seat Belt (Black) .....	1
3	221536	Capscrew .....	1
4	169874	Nut .....	4
5	1379945	Fastener .....	2
6	1694830	Capscrew .....	2
7	296357	Washer .....	2
8	2099947	Armrest (Left-Hand Side) .....	1
8	1563230	Cushion (LH Armrest) .....	1
9	18735	Screw .....	2
10	1512536	Washer .....	2
11	221353	Locknut .....	2
12	1581852	Washer .....	3
13	221530	Capscrew .....	1
14	19901	Roll Pin .....	1
15	1677286	Stud .....	4
16	313828	Nut .....	4
17	2107969	Cover (Seat-Side Electrical) .....	1
18	2099950	Seat Cover (Right-Hand Side) .....	1
19	18462	Capscrew .....	2
20	18471	Capscrew .....	2
21	4007318	Spacer .....	2
22	4004776	Cover Plate .....	1
23	15127	Washer .....	4
	<b>b</b> 114312	Strap Clamp .....	1
	<b>a</b> 1703895	Kit-Service Internal Tether-80 MM Travel .....	1
	<b>a</b> 1703896	Kit-Service Internal Tether-56 MM Travel .....	1

**FOOTNOTES:****a** Included with Seat**b** Not Illustrated

## SEAT (FULL SUSPENSION ATTACHING PARTS) (FIGURE 1-8) NOT INCLUDED WITH SEAT — SHEET 4 OF 4 WITH ELECTRO-HYDRAULICS



BP121251



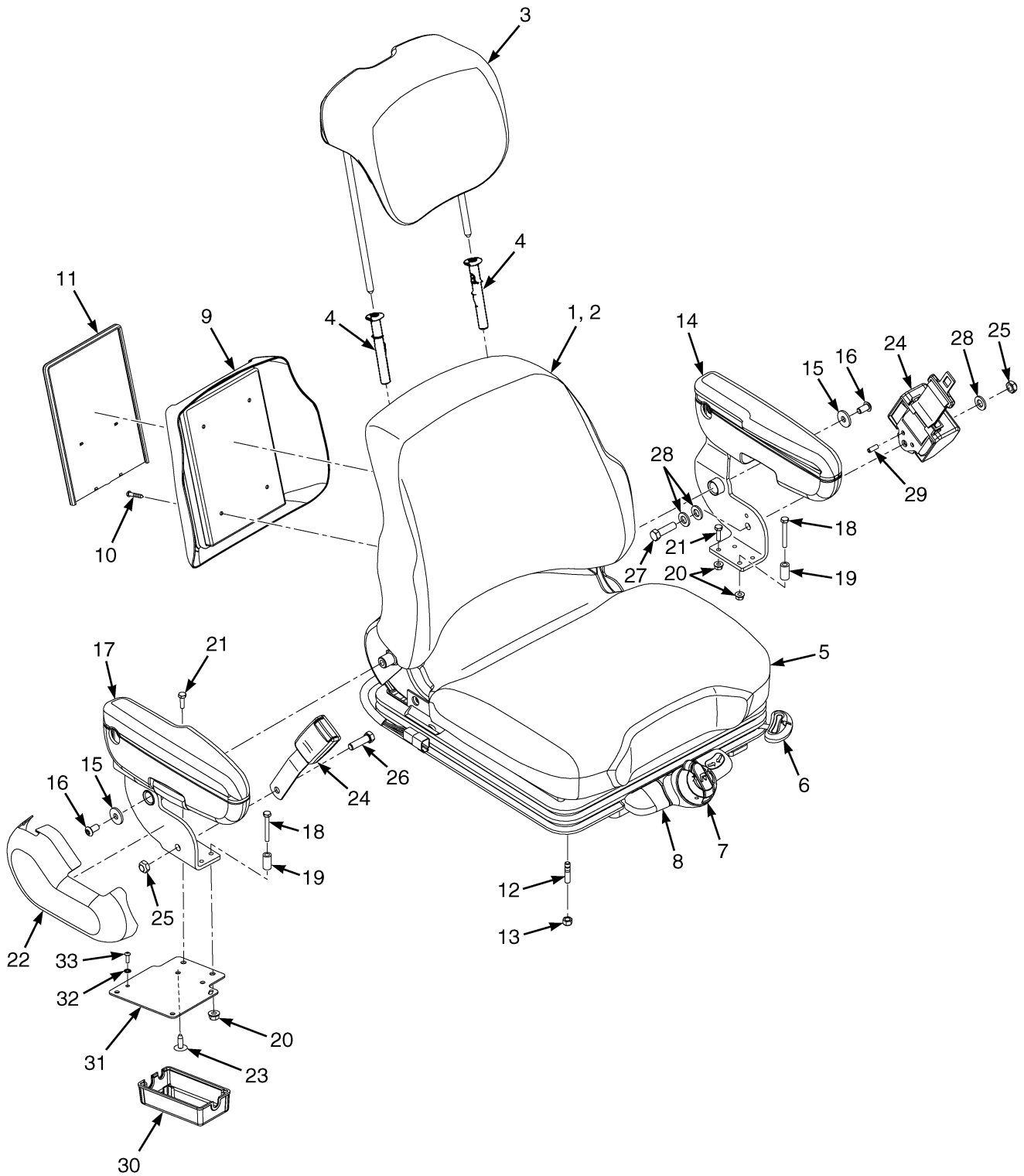
**SEAT (FULL SUSPENSION ATTACHING PARTS)**  
**NOT INCLUDED WITH SEAT – SHEET 4 OF 4 WITH ELECTRO-HYDRAULICS**

ITEM	PART NO.	DESCRIPTION	QTY
1	.....	Armrest (RH) .....	1
1	4005010	Armrest (Slider for Mini Lever) (☞Figure 1-11).....	1
1	.....	Mini-Lever Modules (☞Figure 7-12, ☞Figure 7-13).....	1
2	221542	Capscrew .....	1
3	1694700	Spacer .....	1
4	2107969	Cover (Seat-Side Electrical) .....	1
5	1694830	Capscrew .....	2
6	296357	Washer .....	2
7	1677286	Stud .....	4
8	313828	Nut .....	4
9	221353	Locknut .....	2
10	1581852	Washer .....	3
11	221536	Capscrew .....	1
12	18735	Screw .....	1
13	1512536	Washer .....	1
14	19901	Roll Pin .....	1
15	18462	Capscrew .....	1
16	4007318	Spacer .....	1
17	18471	Capscrew .....	1
18	169874	Nut .....	2
19	1598504	Kit-Seat Belt (Black) .....	1
19	1636120	Kit-Red Seat Belt High Visibility without Interlock .....	1
20	2099947	Armrest (Left-Hand Side) .....	1
	<b>a</b> 1703895	Kit-Service Internal Tether-80 MM Travel .....	1
	<b>a</b> 1703896	Kit-Service Internal Tether-56 MM Travel .....	1

**FOOTNOTES:**

**a** Included With Seat

## SEAT (FULL SUSPENSION) (FIGURE 1-9) HIGH BACK — SHEET 1 OF 2



BP121206

**SEAT (FULL SUSPENSION)  
HIGH BACK – SHEET 1 OF 2**

ITEM	PART NO.	DESCRIPTION	QTY
	4614480	Seat-Full Suspension (Vinyl) .....	1
	4614481	Seat-Full Suspension (Cloth) .....	1
1	a 4016924	Kit-Cushion (Seat Back, Vinyl) .....	1
1	a 4016928	Kit-Cushion (Seat Back, Cloth) .....	1
2	.....	Back Cushion .....	1
2	1584643	Screw .....	2
3	a 4016926	Cushion (Head Rest Vinyl) .....	1
3	a 4016930	Cushion (Head Rest Cloth) .....	1
4	1615149	Guide Assembly (Tubes) .....	2
5	a 1703903	Kit-Cushion (Seat and Back, Vinyl) .....	1
5	a 1703900	Kit-Cushion (Seat and Back, Cloth) .....	1
5	1703902	Kit-Seat Cushion (Vinyl) .....	1
5	1703899	Kit-Seat Cushion (Cloth) .....	1
5	.....	Seat Cushion .....	1
5	1637285	Spring .....	2
5	1513089	Cotter Pin (Hair) .....	2
6	a 4043082	Kit-Seat Rail .....	1
6	.....	Locking Rail .....	1
6	.....	Slave Rail .....	1
6	.....	Bolt .....	4
6	1367150	Nut .....	4
7	a 1703892	Kit-Weight Adjuster .....	1
7	.....	Knob .....	1
7	.....	Bushing .....	1
7	.....	Washer .....	1
7	.....	Pin .....	1
7	.....	U-Joint .....	1
8	a 1703893	Kit-Service (Front Panel) (Non Swivel) .....	1
8	.....	Front Panel .....	1
8	.....	Socket Head Capscrew .....	2
8	.....	Roll Pin .....	1
9	a 1482925	Plate (Book Box) .....	1
10	a 1482949	Screw .....	4
11	a 1453887	Holder .....	1
12	1677286	Stud .....	4
13	313828	Nut .....	4
14	2099947	Armrest (Left-Hand Side) .....	1
14	1563230	Cushion (LH Armrest) .....	1
15	1512536	Washer .....	2
16	18735	Screw .....	2
17	2099949	Armrest (Right-Hand Side) .....	1
17	1563231	Cushion (RH Armrest) .....	1
18	18471	Capscrew .....	2
19	4007318	Spacer .....	2
20	169874	Nut .....	4
21	18462	Capscrew .....	2
22	2099950	Seat Cover (Right-Hand Side) .....	1
23	1379945	Fastener .....	2
24	1598504	Kit-Seat Belt (Black) .....	1
24	1636120	Kit-Red Seat Belt High Visibility without Interlock .....	1

## SEAT (FULL SUSPENSION) HIGH BACK – SHEET 1 OF 2

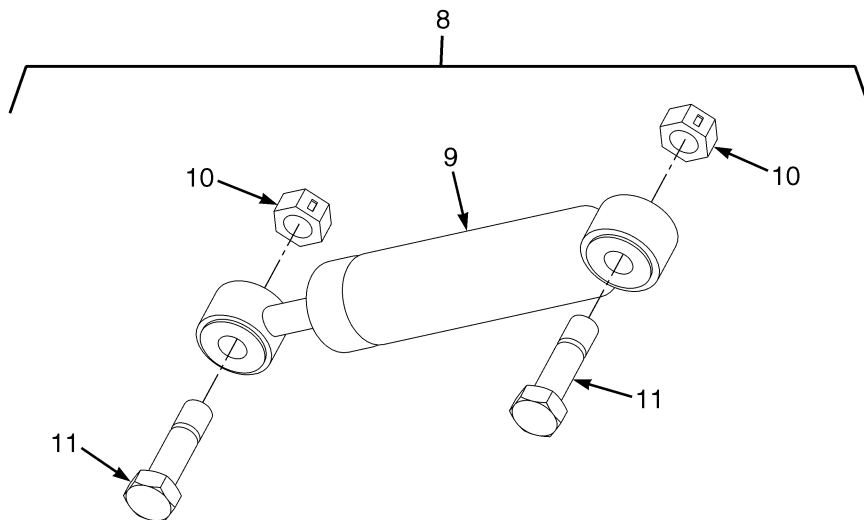
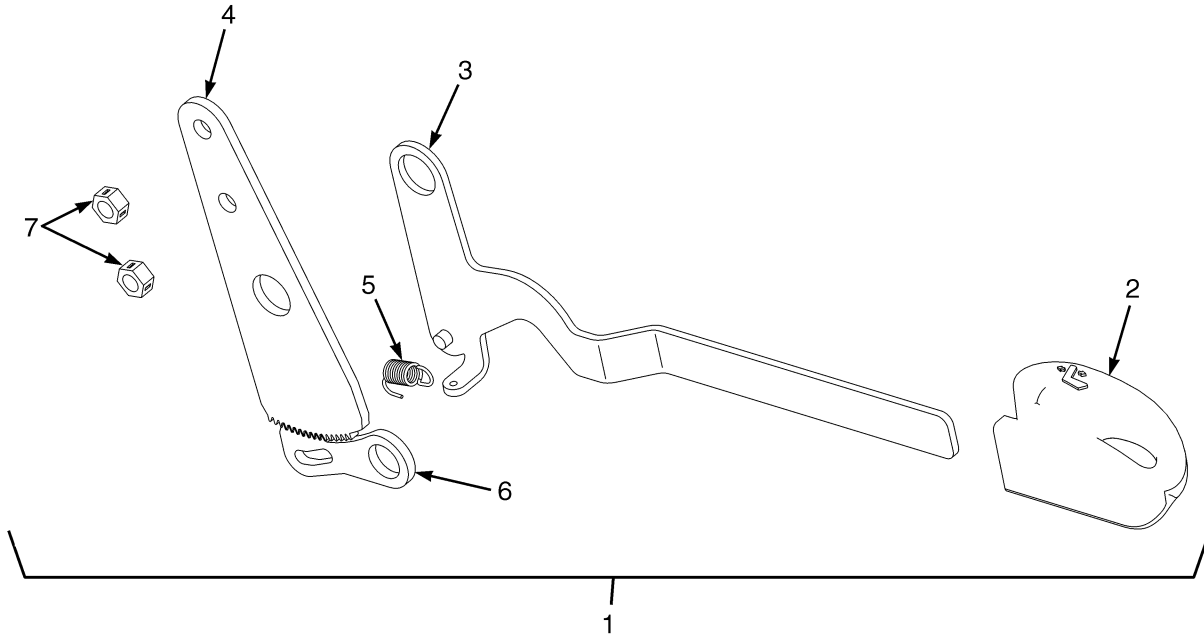
ITEM	PART NO.	DESCRIPTION	QTY
25	221353	Locknut .....	2
26	221530	Capscrew .....	1
27	221536	Capscrew .....	1
28	1581852	Washer .....	3
29	19901	Roll Pin .....	1
30	2107969	Cover (Seat-Side Electrical) .....	1
31	4004776	Cover Plate .....	1
32	296357	Washer .....	2
33	1694830	Capscrew .....	2
	<b>ac</b> 4046492	Lever .....	1
	<b>ac</b> 1563208	Sensor (Operator Presence) .....	1
	<b>ac</b> 4027341	Bracket .....	1
	<b>ac</b> 1703895	Kit-Service Internal Tether-80 MM Travel .....	1
	<b>ac</b> 114312	Strap Clamp .....	1
	<b>ac</b> 4013095	Wire Harness .....	1
	<b>ac</b> 4032461	Kit (Mechanical Lumbar) .....	1
	<b>bc</b> 4032460	Kit Seat Suspension (Non Swivel Seat) .....	1

### FOOTNOTES:

- a** Included With Seat
- b** Includes Tether and Kit-Recliner 1703891 from Sheet 2 of 2.
- c** Not Illustrated



## SEAT (FULL SUSPENSION) (FIGURE 1-10) HIGH BACK — SHEET 2 OF 2



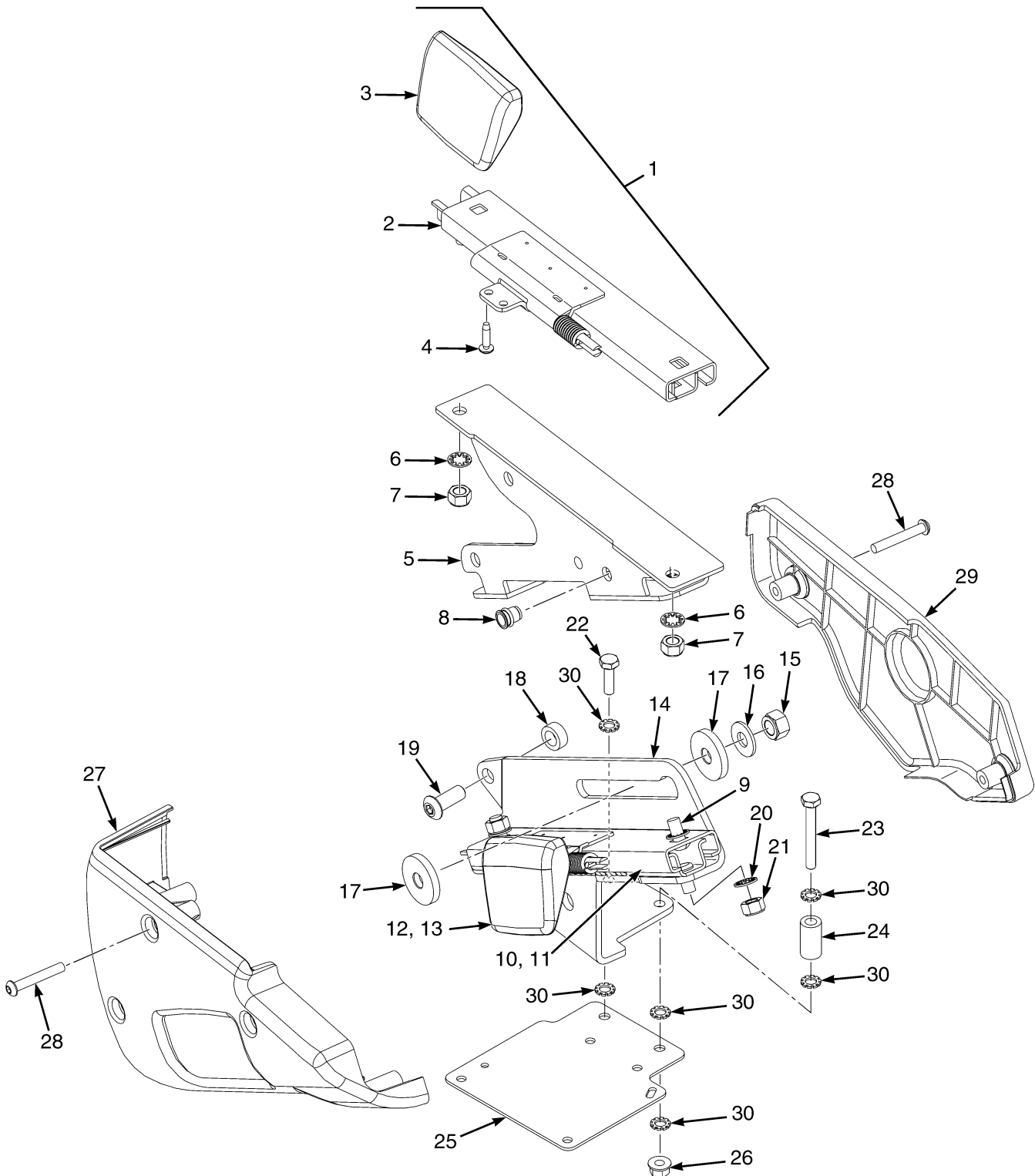
BP120646

**SEAT (FULL SUSPENSION)  
HIGH BACK – SHEET 2 OF 2**

ITEM	PART NO.	DESCRIPTION	QTY
1	<b>b</b> 1703891	Kit-Recliner (Back Seat Adjustment) .....	1
2	. . . . .	Knob .....	1
3	. . . . .	Lever .....	1
4	1482905	Plate .....	1
5	. . . . .	Spring .....	1
6	1482906	Latch .....	1
7	1367150	Nut .....	2
8	<b>a</b> 1703890	Kit-Damper Service .....	1
9	1584632	Damper .....	1
10	1367150	Nut .....	2
11	1584638	Bolt .....	2

**FOOTNOTES:****a** Included With Seat**b** Included With Seat and Non Swivel Set

## ARMREST ASSEMBLY (FIGURE 1-11) MINI-LEVER MODULES — FULL SUSPENSION SEAT



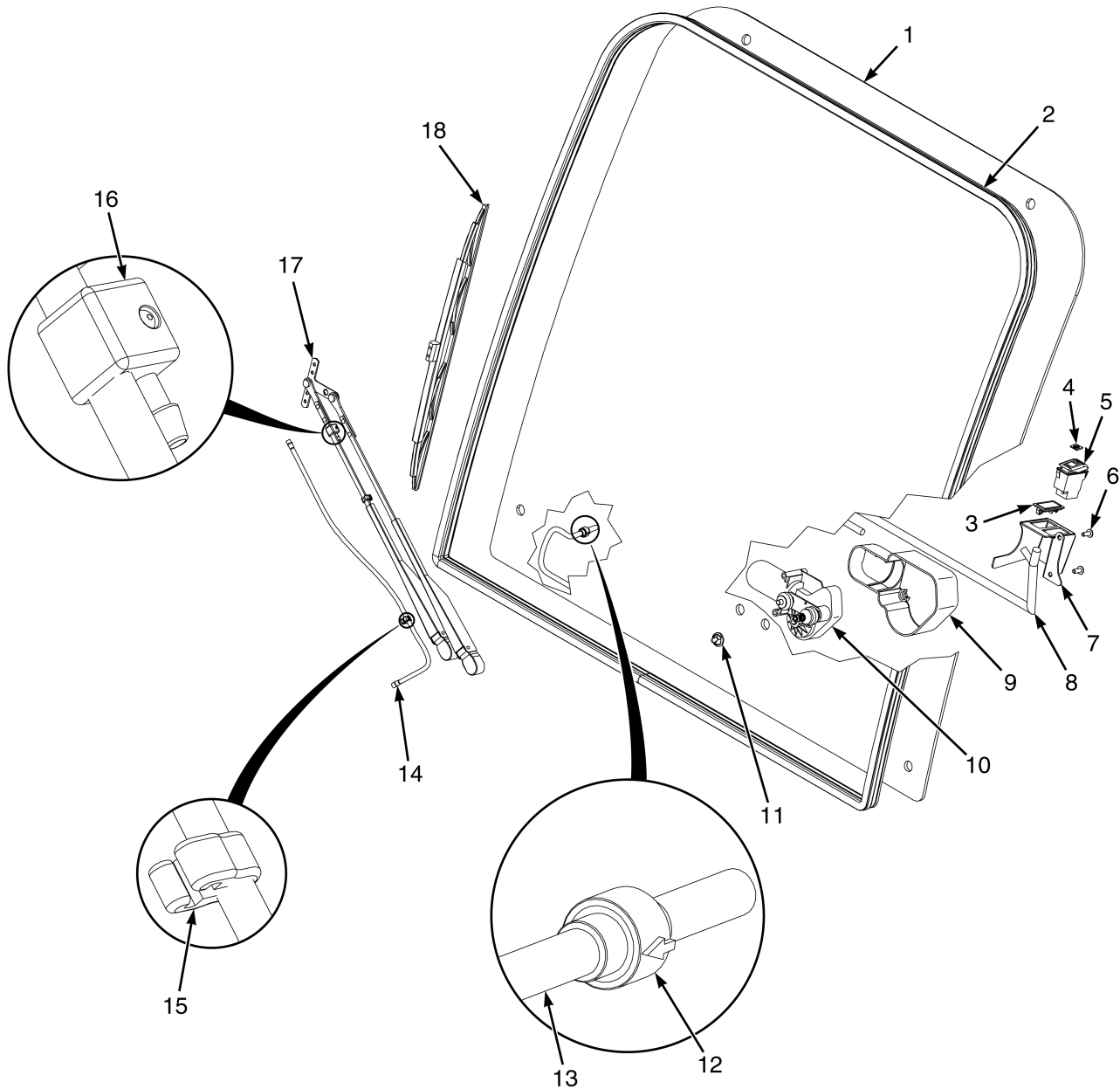
BP121324



**ARMREST ASSEMBLY**  
**MINI-LEVER MODULES – FULL SUSPENSION SEAT**

ITEM	PART NO.	DESCRIPTION	QTY
	4005010	Armrest (Slider for Mini Lever) .....	1
1	.....	Slider Assembly .....	1
2	1661511	Armrest (Slider) .....	1
3	1655865	Handle (Slider) .....	1
4	227157	Screw .....	2
5	4007052	Bracket Wldmt .....	1
6	296360	Washer .....	4
7	313828	Nut .....	4
8	1531558	Insert .....	3
9	296165	Capscrew .....	2
10	.....	Slider Assembly .....	1
11	1661511	Armrest (Slider) .....	1
12	1655865	Handle (Slider) .....	1
13	227157	Screw .....	2
14	4004775	Bracket .....	1
15	316826	Nut .....	1
16	320160	Washer .....	1
17	1650640	Washer .....	2
18	4007319	Spacer .....	1
19	18738	Capscrew .....	1
20	296360	Washer .....	2
21	313828	Nut .....	2
22	18462	Capscrew .....	1
23	18471	Capscrew .....	1
24	4007318	Spacer .....	1
25	4004776	Cover Plate .....	1
26	169874	Nut .....	2
27	4603492	Cover .....	1
28	2062875	Capscrew .....	5
29	4603493	Cover .....	1

## BOLT ON CAB WITH STANDARD (HIGH) OVERHEAD GUARD (FIGURE 1-12) FRONT SCREEN WITH WIPER/WASHER — PAGE 1 OF 2

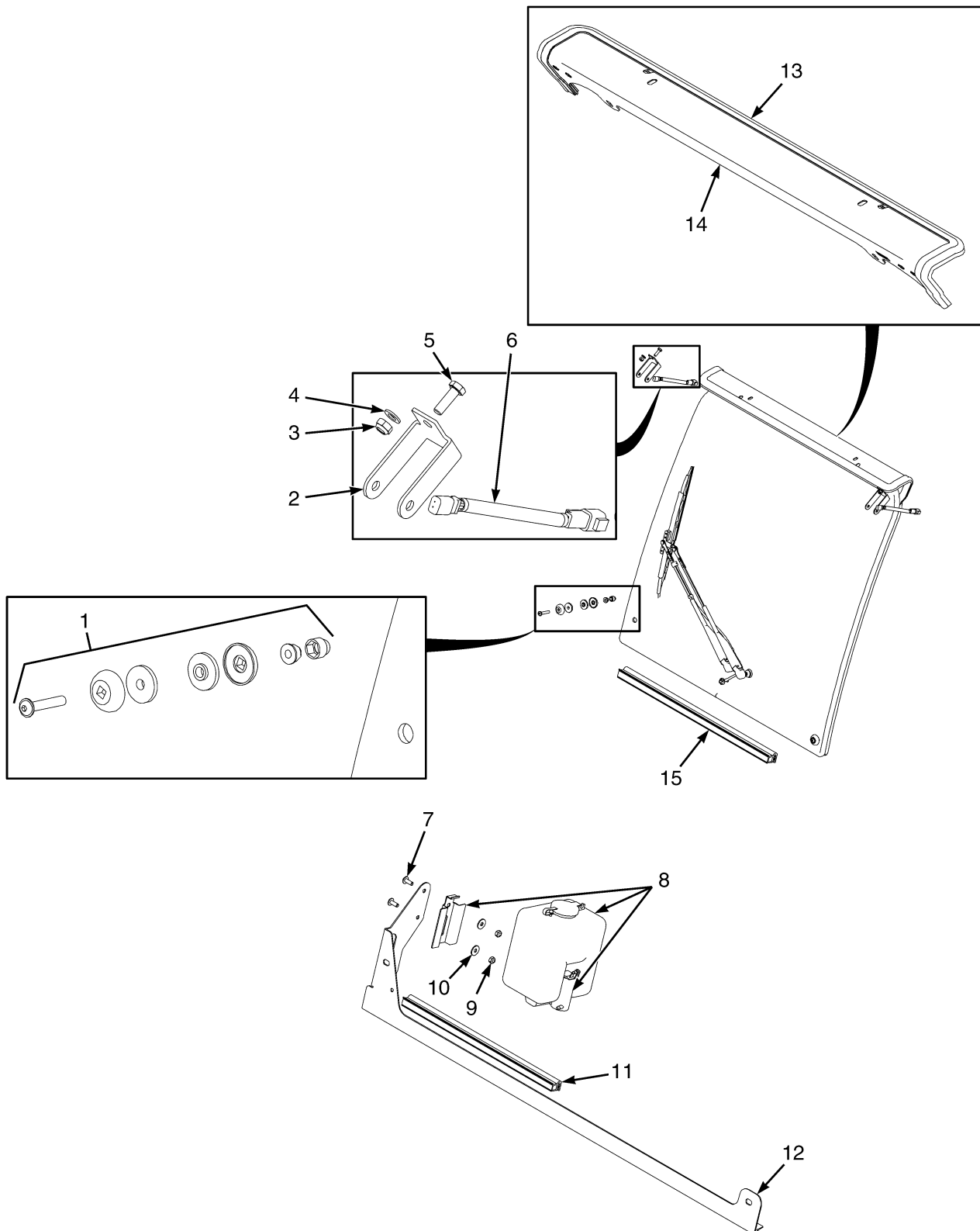


BP000870

**BOLT ON CAB WITH STANDARD (HIGH) OVERHEAD GUARD  
FRONT SCREEN WITH WIPER/WASHER – PAGE 1 OF 2**

ITEM	PART NO.	DESCRIPTION	QTY
	4092599	Kit-Front Screen With Wipers .....	1
1	4108716	Window .....	1
2	4108717	Seal (3815 mm) .....	1
3	4108725	Plug .....	1
4	4108724	Label Wiper/Washer .....	1
5	4108723	Switch .....	1
6	4108709	Capscrew .....	2
7	4108722	Housing .....	1
8	4108738	Wire Harness (Main) .....	1
9	4108721	Cover .....	1
10	4108718	Wiper Motor .....	1
11	4108726	Connector for Spray Hose (Elbow Fitting) .....	1
12	4108731	Valve (Non Return) .....	1
13	4108730	Hose (620mm) .....	1
14	4108727	Hose (500mm) .....	1
15	4108728	Clip .....	1
16	4108729	Window Washer (Spray Nozzle) .....	1
17	4108719	Wiper Arm .....	1
18	4108720	Wiper Blade .....	1

## BOLT ON CAB WITH STANDARD (HIGH) OVERHEAD GUARD (FIGURE 1-13) FRONT SCREEN WITH WIPER/WASHER — PAGE 2 OF 2

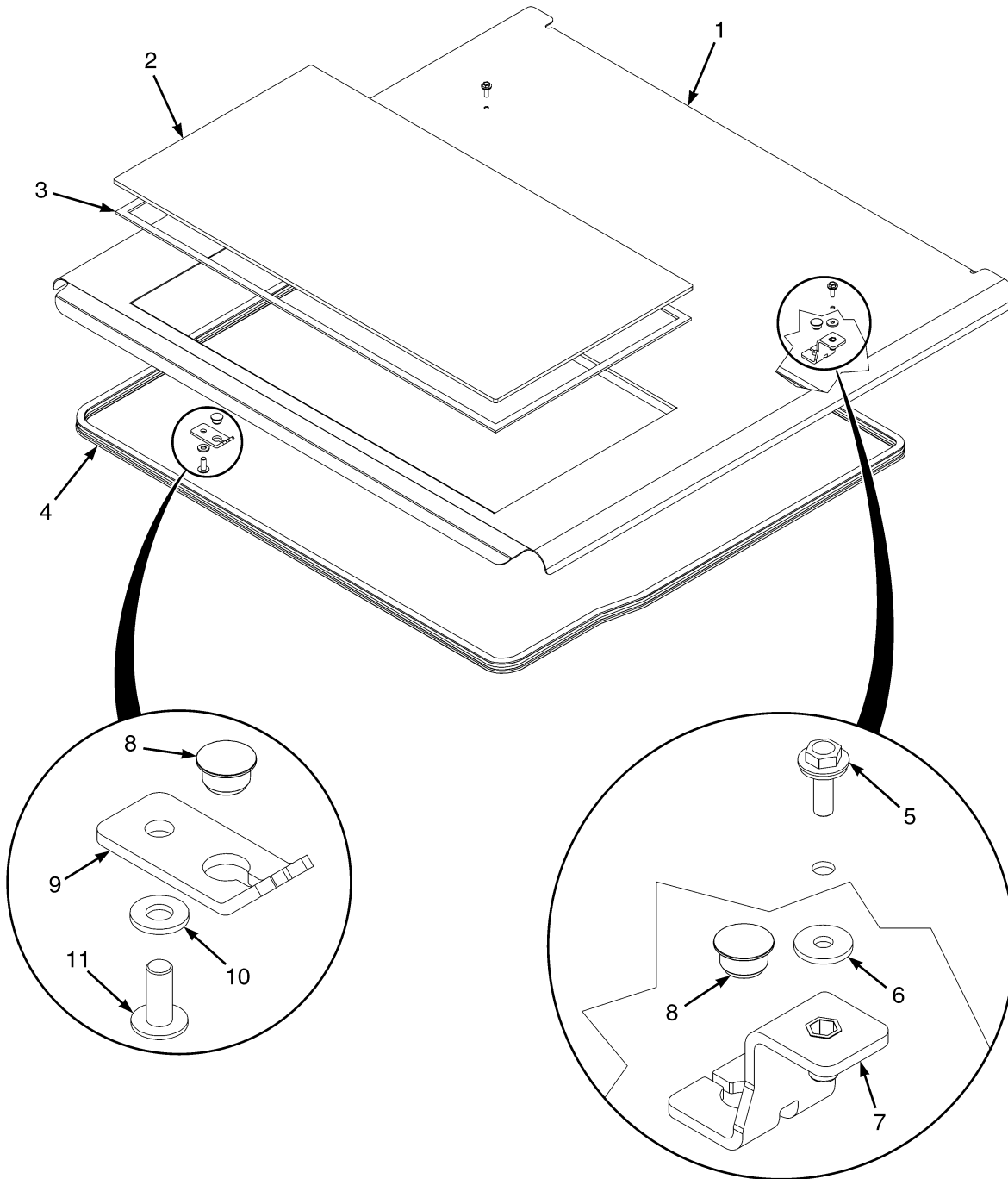


BP000871

**BOLT ON CAB WITH STANDARD (HIGH) OVERHEAD GUARD  
FRONT SCREEN WITH WIPER/WASHER – PAGE 2 OF 2**

ITEM	PART NO.	DESCRIPTION	QTY
	4092599	Kit-Front Screen With Wipers .....	1
1	4108737	Kit Window Mounting Bolt .....	4
2	4108736	Bracket (Front Light) .....	2
3	4108735	Nut .....	2
4	4108734	Washer .....	2
5	4108733	Capscrew .....	2
6	4108739	Wire Harness (Light Jumper) .....	2
7	4108709	Capscrew .....	2
8	4108712	Window Washer Bottle Assembly with Pump .....	1
9	4108711	Nut .....	2
10	4108710	Washer .....	2
11	4108713	Seal (360mm) .....	1
12	4108708	Window Frame (Bottom Crossmember) .....	1
13	4108715	Seal (1326mm) .....	1
14	4108714	Window Frame (Top Crossmember) .....	1
15	4116835	Seal (1200mm) .....	1

## BOLT ON CAB WITH STANDARD (HIGH) OVERHEAD GUARD (FIGURE 1-14) TOP SCREEN



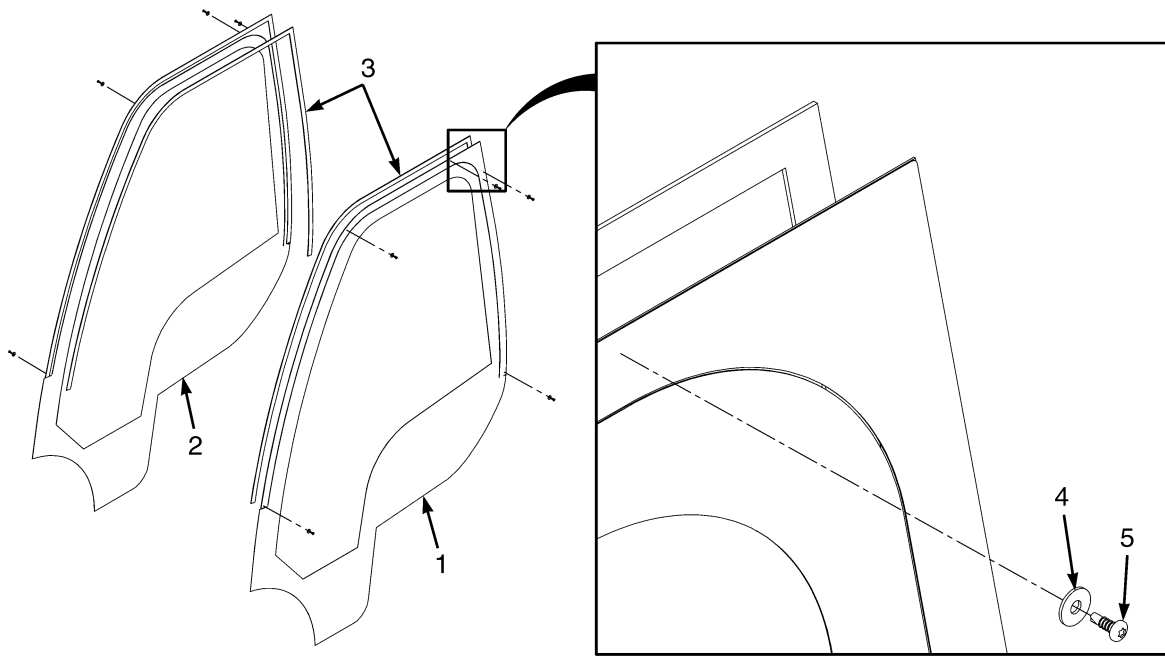
BP000872

**BOLT ON CAB WITH STANDARD (HIGH) OVERHEAD GUARD  
TOP SCREEN**

ITEM	PART NO.	DESCRIPTION	QTY
	4092596	Kit-Top Screen (Solid) .....	1
1	4108696	Window Frame (Top) .....	1
2	4108697	Window (Top) .....	1
3	4108698	Kit-Glue .....	1
4	4108699	Seal (3536mm) .....	1
5	4108705	Capscrew .....	2
6	4108704	Washer .....	2
7	4108703	Bracket Assembly (Roof Rear) .....	2
8	4108706	Cap .....	4
9	4108700	Bracket (Roof Front) .....	2
10	4108701	Washer .....	2
11	4108702	Capscrew .....	2
	<b>a</b> 4101477	Kit-Top Screen (PVC) (With Velcro Strip) .....	1

**FOOTNOTES:****a** Not Illustrated

## BOLT ON CAB WITH STANDARD (HIGH) OVERHEAD GUARD (FIGURE 1-15) PVC DOORS



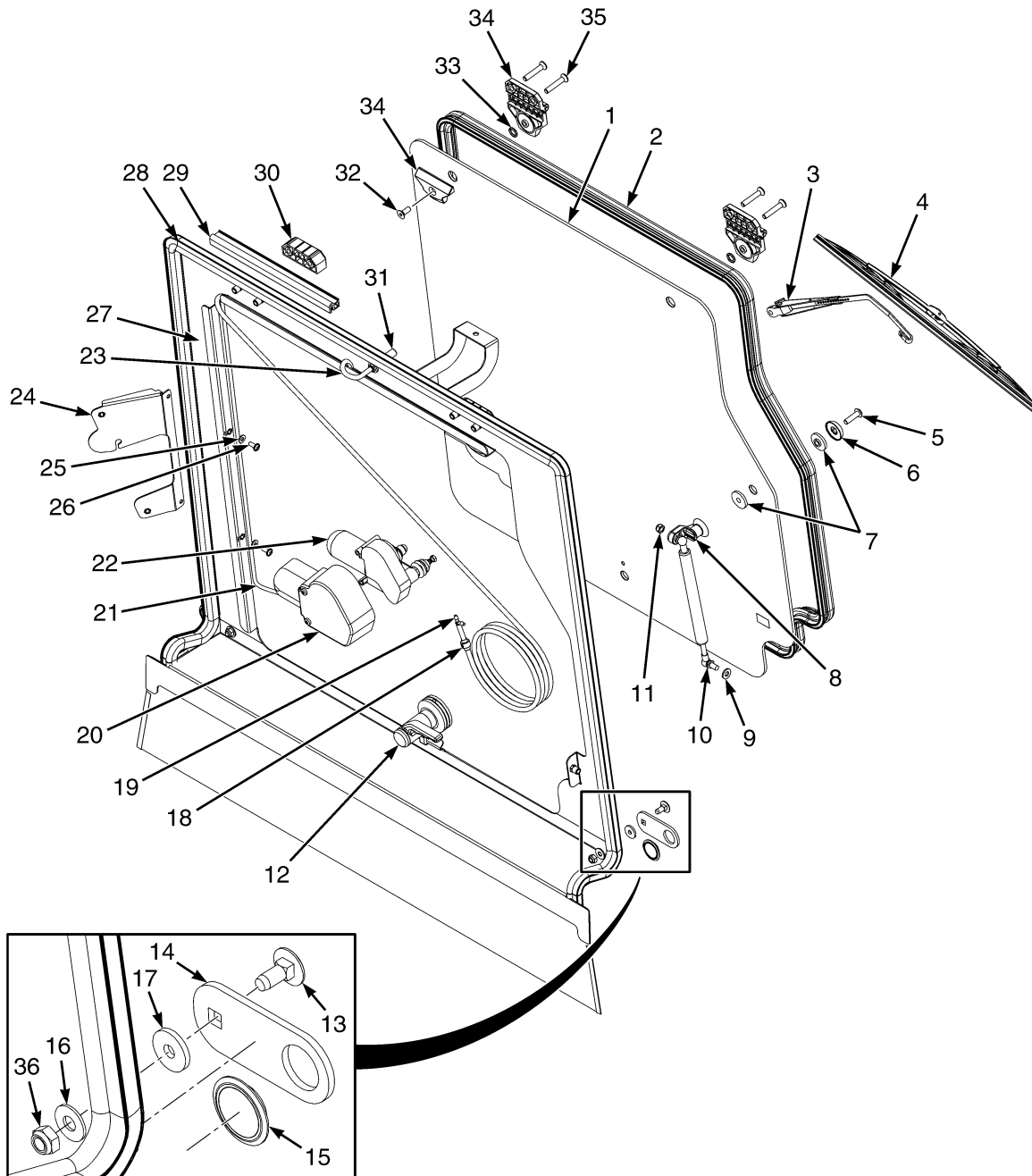
BP000873

ITEM	PART NO.	DESCRIPTION	QTY
	4092598	Kit-Door (PVC RH and LH For Standard Overhead Guard) .....	1
1	4108691	Door Pvc (LH) .....	1
2	4108692	Door Pvc (RH) .....	1
3	4108693	Seal (Velcro 2900mm) .....	2
4	4108694	Washer .....	10
5	4108695	Screw .....	10





## BOLT ON CAB WITH STANDARD (HIGH) OVERHEAD GUARD (FIGURE 1-16) REAR SCREEN WITH WIPER/WASHER — PAGE 1 OF 2

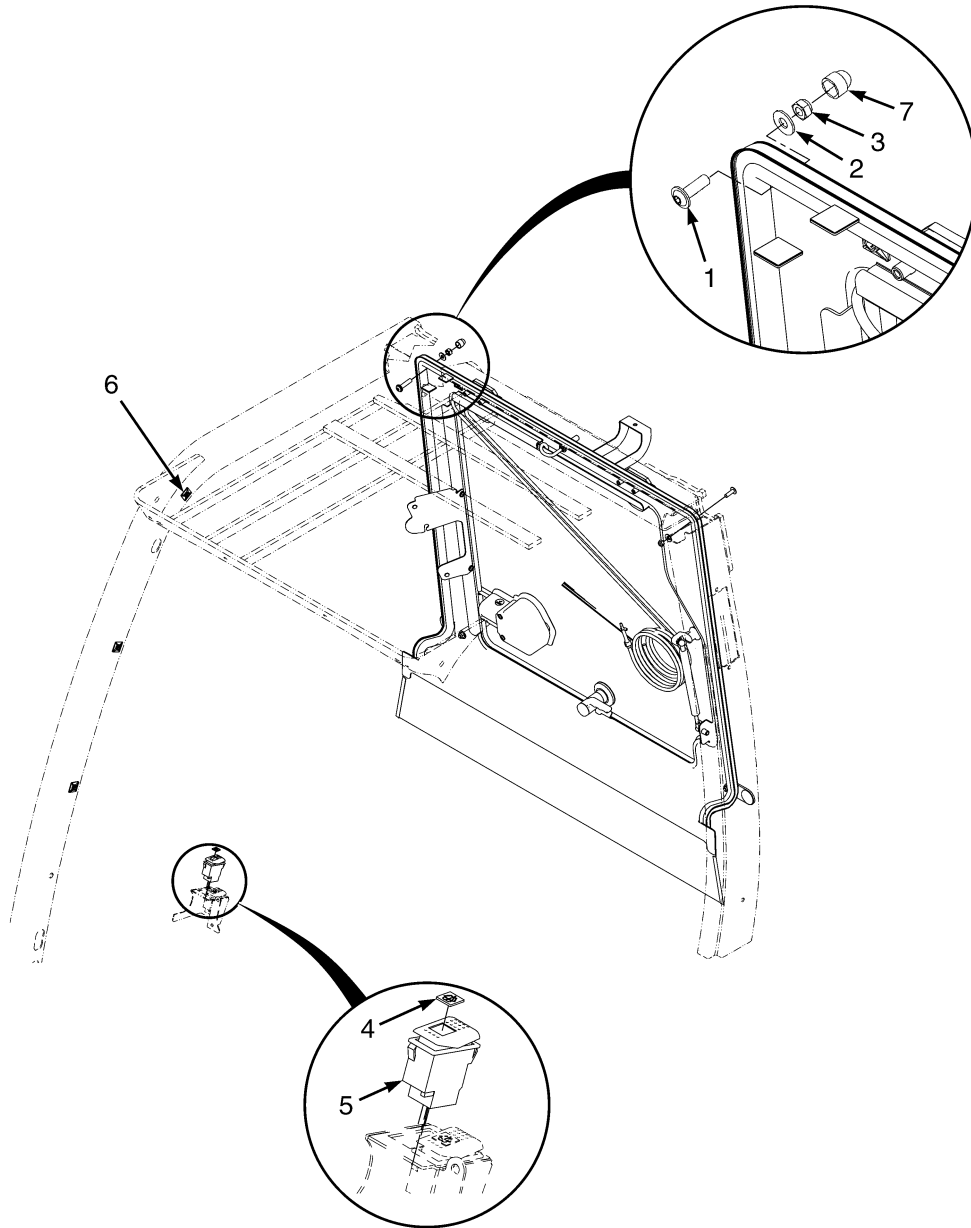


BP000874

**BOLT ON CAB WITH STANDARD (HIGH) OVERHEAD GUARD  
REAR SCREEN WITH WIPER/WASHER – PAGE 1 OF 2**

ITEM	PART NO.	DESCRIPTION	QTY
	4092597	Kit-Rear Screen With Wipers .....	1
1	4108747	Window (Rear) .....	1
2	4108748	Seal (3074mm) .....	1
3	4108759	Wiper Arm .....	1
4	4108760	Wiper Blade .....	1
5	4108757	Capscrew .....	1
6	4108756	Washer .....	1
7	4108755	Washer .....	2
8	4108754	Bracket .....	1
9	4108701	Washer .....	1
10	4108753	Gas Spring .....	1
11	4108735	Nut .....	1
12	4108758	Handle .....	1
13	4108745	Bolt .....	2
14	4108743	Plate .....	2
15	4108746	Cap .....	2
16	4108732	Washer .....	4
17	4108744	Spacer .....	2
18	4108731	Valve (Non Return) .....	1
19	4108766	Fitting (T-Piece) .....	1
20	4108721	Cover .....	1
21	4108767	Wire Harness (Rear) .....	1
22	4108718	Wiper Motor .....	1
23	4108765	Hose (2550mm) .....	1
24	4108761	Bracket (Handle) .....	1
25	4108762	Washer .....	2
26	4108709	Capscrew .....	2
27	4108740	Window Frame (Rear) .....	1
28	4108741	Seal (2850mm) .....	1
29	4108763	Seal (280mm) .....	1
30	4108749	Spacer .....	1
31	4108742	Window Washer (Spray Nozzle) .....	1
32	4108764	Capscrew .....	2
33	4108752	O-Ring .....	2
34	4108750	Hinge .....	2
35	4108751	Capscrew .....	4
36	4116826	Nut .....	2

## BOLT ON CAB WITH STANDARD (HIGH) OVERHEAD GUARD (FIGURE 1-17) REAR SCREEN WITH WIPER/WASHER — PAGE 2 OF 2

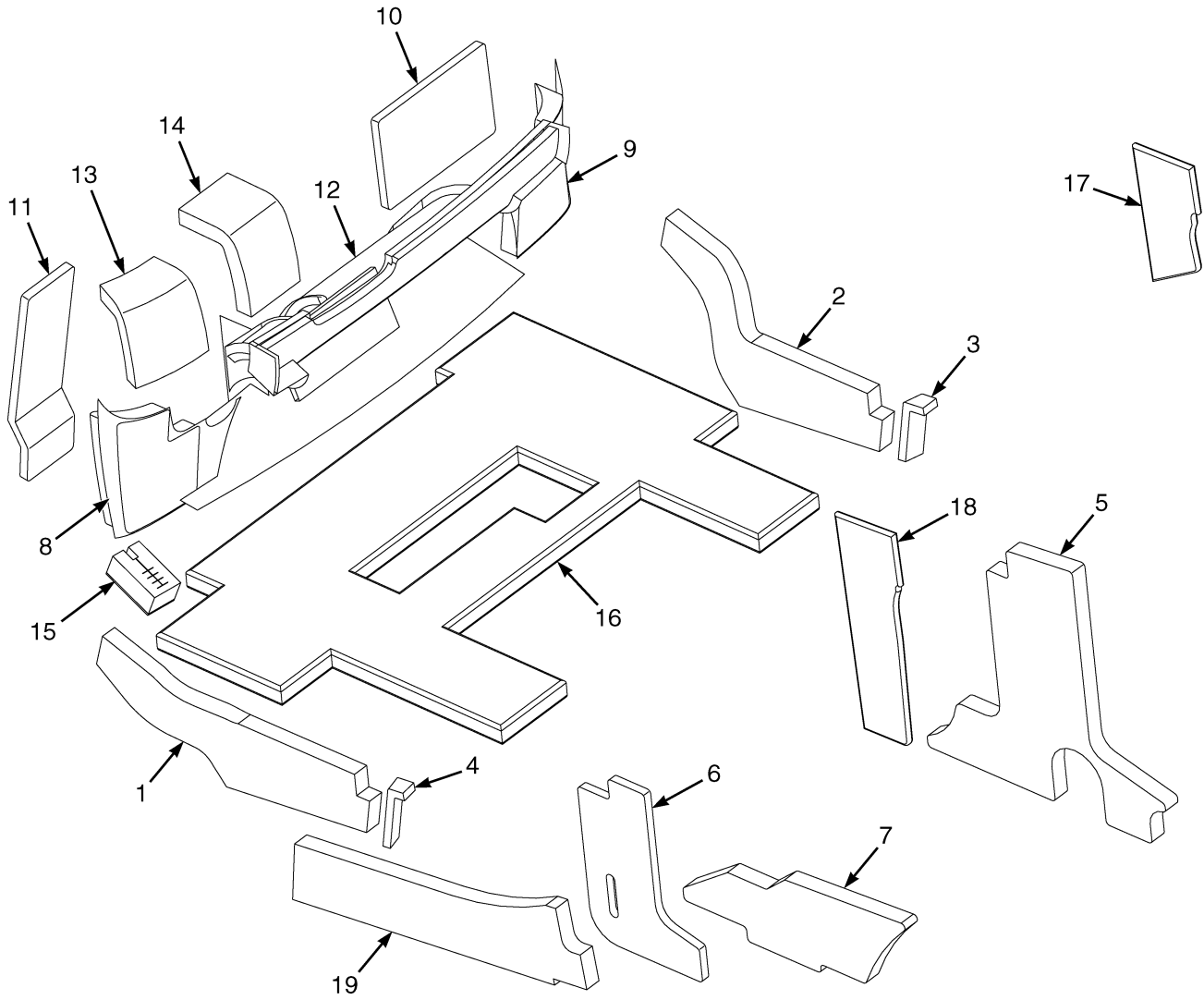


BP000875

**BOLT ON CAB WITH STANDARD (HIGH) OVERHEAD GUARD  
REAR SCREEN WITH WIPER/WASHER – PAGE 2 OF 2**

ITEM	PART NO.	DESCRIPTION	QTY
	4092597	Kit-Rear Screen With Wipers .....	1
1	4108768	Capscrew .....	2
2	4108732	Washer .....	2
3	4116826	Nut .....	2
4	4108724	Label Wiper/Washer .....	1
5	4108723	Switch .....	1
6	4108769	Holder (Stick-On) .....	6
7	4112651	Cover .....	2

## SOUND ABATEMENT (FIGURE 1-18) WITH CAB



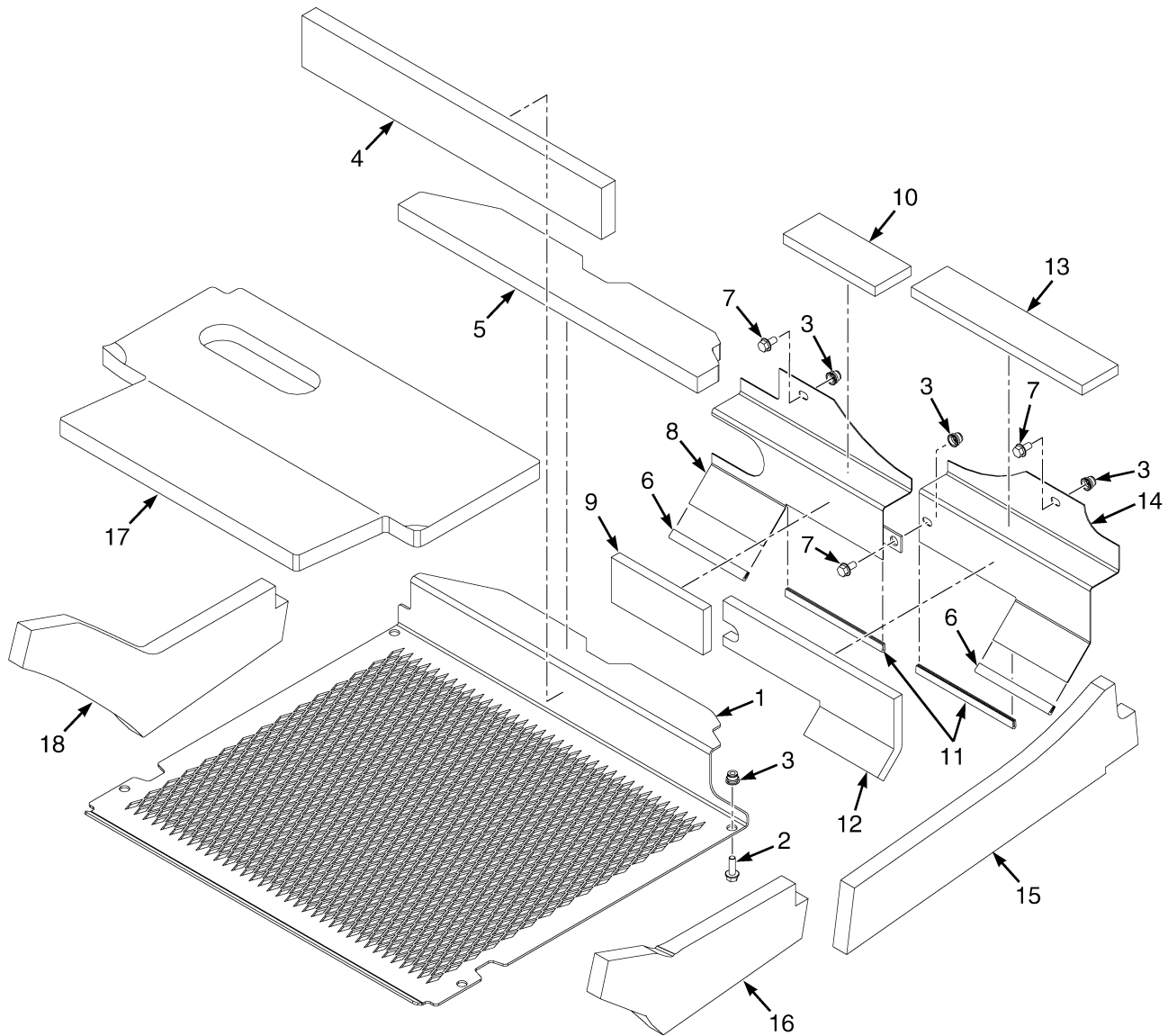
BP000864

**SOUND ABATEMENT  
WITH CAB**

ITEM	PART NO.	DESCRIPTION	QTY
1	4009989	Liner (Front Panel-LH) .....	1
2	4009990	Liner (Front Panel-RH) .....	1
3	1596624	Seal (RH) .....	1
4	1596625	Seal (LH) .....	1
5	1609707	Sound Liner .....	1
6	4109030	Sound Liner .....	1
7	1609709	Sound Liner .....	1
8	1616480	Sound Liner (Dash-LH) .....	1
9	1616481	Sound Liner .....	1
10	1616484	Sound Liner .....	1
11	1616485	Sound Liner .....	1
12	1672722	Sound Liner (Kick Panel) .....	1
13	1672723	Sound Liner (Dash Panel) .....	1
14	1672724	Sound Liner (Dash Panel) .....	1
15	1705878	Liner (Handbrake Cable) .....	1
16	1707678	Liner (Transmission) .....	1
17	<b>a</b> 1708834	Liner (RH-OHG Leg) .....	1
18	<b>a</b> 1708835	Liner (LH-OHG Leg) .....	1
19	4009988	Liner (Rear Panel-LH) .....	1

**FOOTNOTES:****a** With Low Noise

## SOUND ABATEMENT (FIGURE 1-19) WITHOUT CAB



BP120811



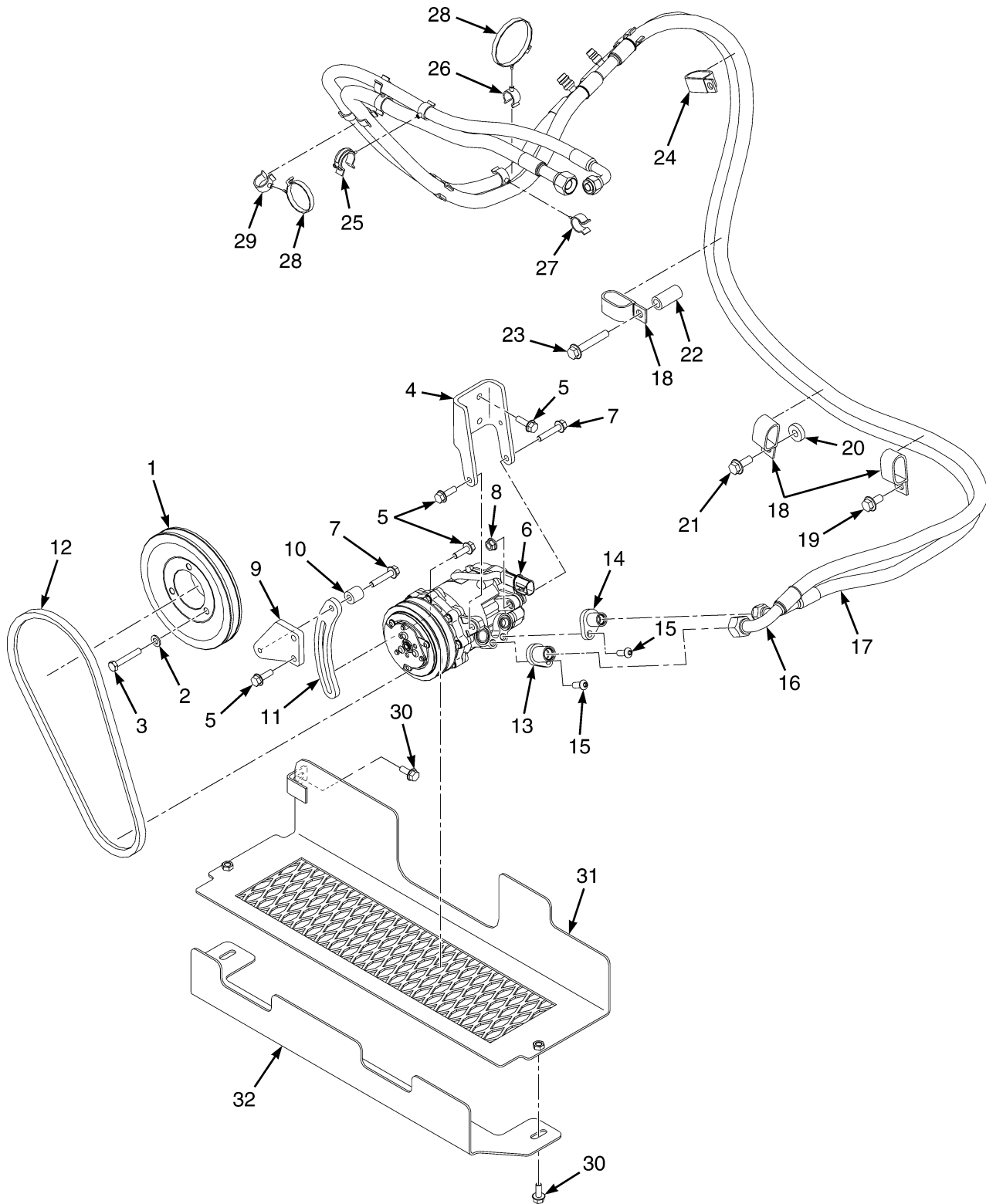
**SOUND ABATEMENT  
WITHOUT CAB**

ITEM	PART NO.	DESCRIPTION	QTY
1	2087209	Shield (Underbody) .....	1
2	1510113	Capscrew .....	4
3	1531557	Insert .....	7
4	4009083	Liner .....	1
5	4009084	Liner .....	1
6	4011601	Trim .....	2
7	<del>4109993</del> 1527879	Capscrew .....	3
8	4009461	Plate Wldmt .....	1
9	4009683	Liner .....	1
10	4009684	Liner .....	1
11	4011602	Trim .....	2
12	4009681	Liner .....	1
13	4009682	Liner .....	1
14	4009085	Plate .....	1
15	4009988	Liner (Rear Panel-LH) .....	1
16	4009989	Liner (Front Panel-LH) .....	1
17	<b>a</b> 4021015	Foam Lining .....	1
18	4009990	Liner (Front Panel-RH) .....	1

**FOOTNOTES:**

- a** Used With Variable Displacement Pump

## AIR CONDITIONER COMPRESSOR (FIGURE 1-20) KUBOTA 2.5 LPG

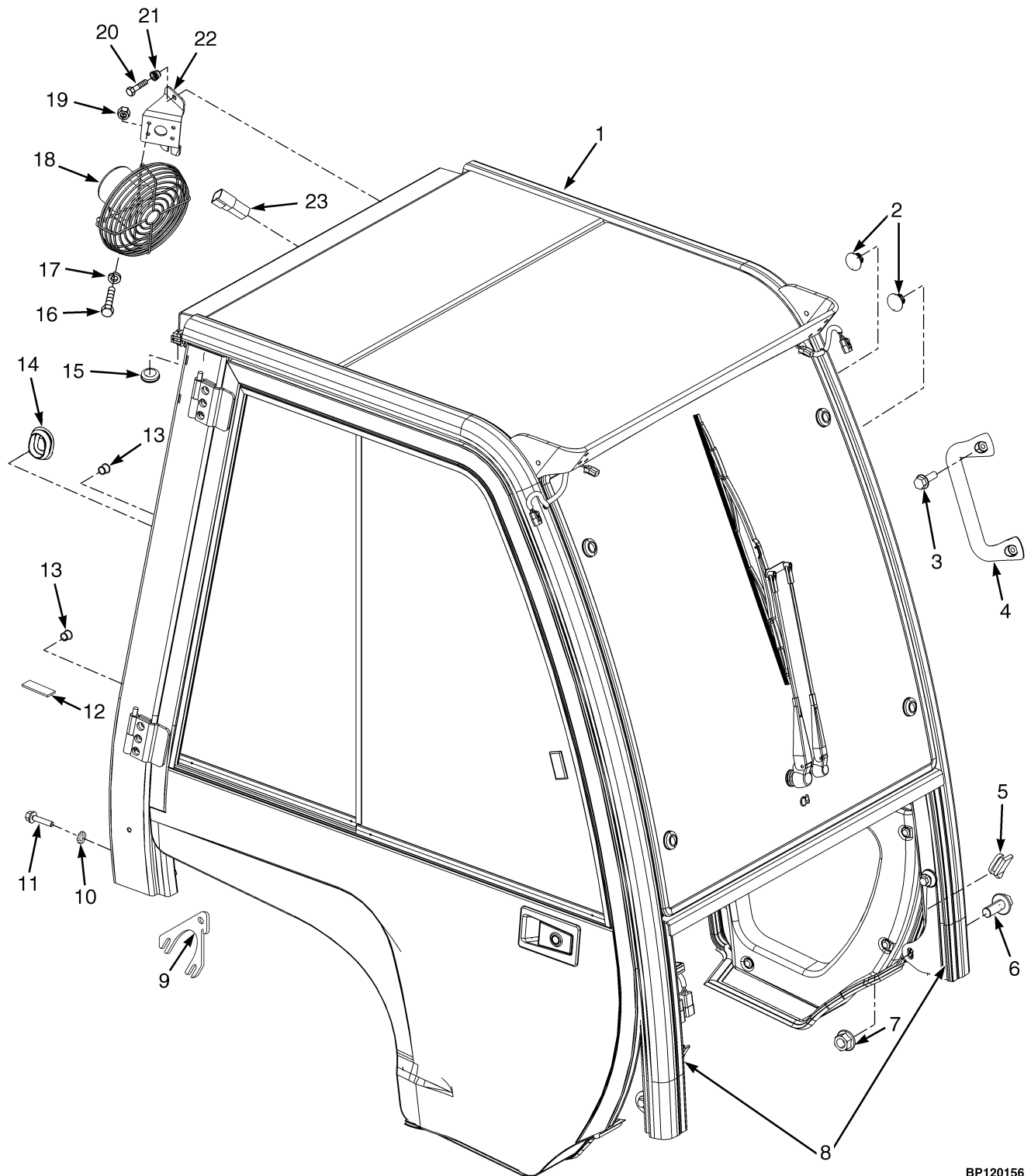


BP200230

**AIR CONDITIONER COMPRESSOR  
KUBOTA 2.5 LPG**

ITEM	PART NO.	DESCRIPTION	QTY
1	4057449	Pulley .....	1
2	296418	Washer .....	3
3	293619	Capscrew .....	3
4	4077419	Bracket .....	1
5	1510113	Capscrew .....	8
6	4605389	Compressor Assembly, AC .....	1
7	1510114	Capscrew .....	2
8	1502543	Nut (Flange) .....	1
9	4077420	Bracket .....	1
10	1400125	Spacer .....	1
11	4077421	Plate .....	1
12	4628753	V-Belt .....	1
13	4005338	Adapter .....	1
14	4005339	Adapter .....	1
15	1597448	Capscrew .....	2
16	4628754	Hose Assy .....	1
17	4628755	Hose Assy .....	1
18	140660	Clamp .....	3
19	1527883	Capscrew .....	1
20	1303158	Bushing .....	1
21	1510117	Capscrew .....	1
22	1360538	Tube Assy .....	1
23	1527887	Capscrew .....	1
24	129684	Clamp .....	1
25	1569465	Clamp (Swivel) .....	1
26	1502059	Clamp (Swivel) .....	7
27	1502066	Clamp (Swivel) .....	5
28	1502061	Clamp .....	2
29	1502053	Clamp (Swivel) .....	1
30	1527880	Capscrew .....	3
31	4077993	Shield .....	1
32	4077997	Shield .....	1

## MODULE CAB (FIGURE 1-21) WITHOUT A/C



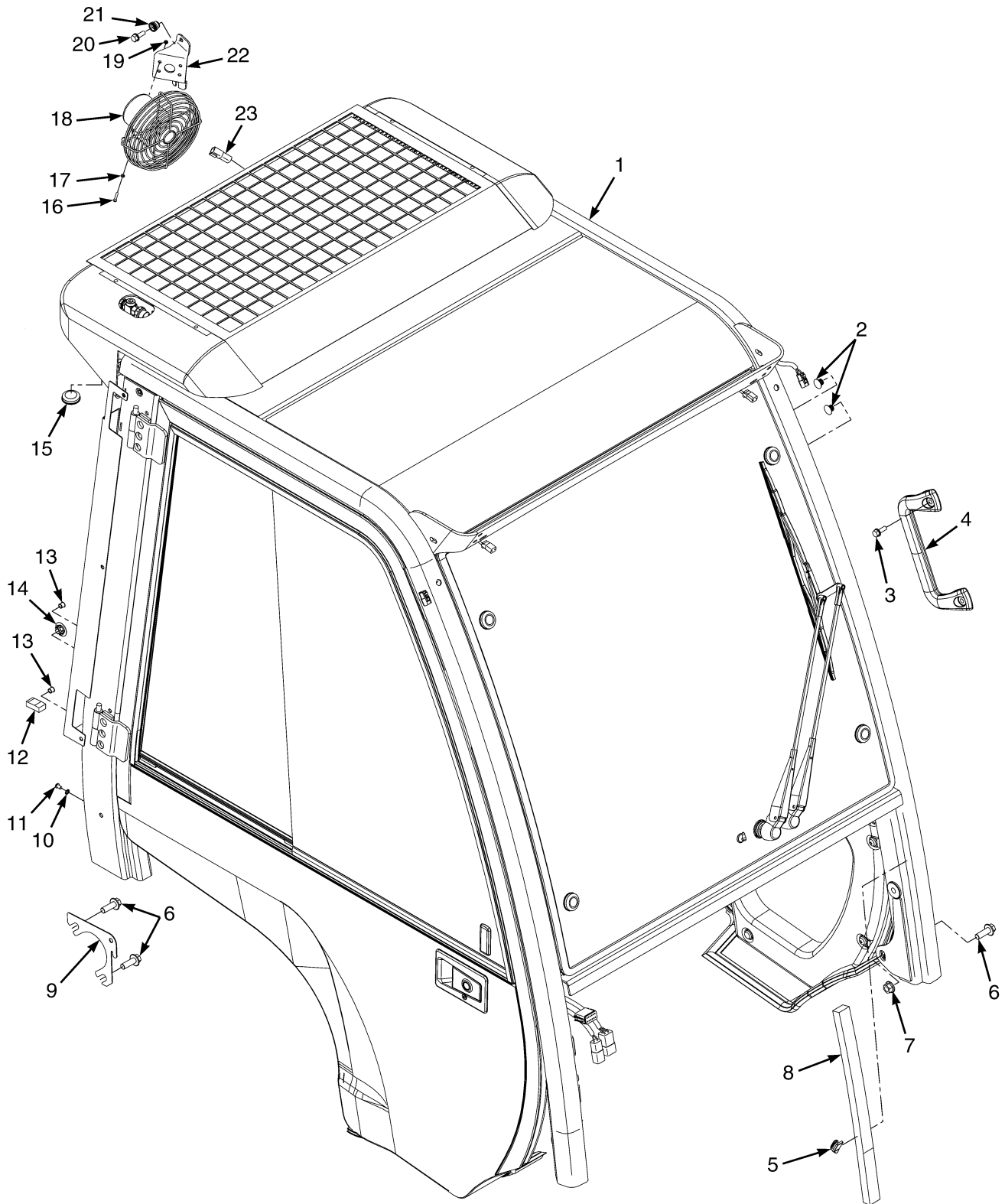
BP120156

**MODULE CAB  
WITHOUT A/C****KEY:****A: With Steel Doors****B: With PVC Doors**

ITEM	PART NO.	DESCRIPTION	QTY	
			A	B
1	1652722	Cab (With Steel Doors) (☞Figure 1-24, ☞Figure 1-25).....	1	..
1	1641660	Cab (With PVC Doors) (☞Figure 1-32).....	..	1
2	1574301	Plug .....	6	8
3	1583611	Capscrew .....	4	4
4	1536813	Handle (Grab) .....	1	1
5	1589787	Seal (Cowl) .....	2	2
6	1527888	Capscrew .....	8	8
7	1528888	Nut (Shoulder) .....	2	2
8	4040607	Seal .....	2	2
9	1636853	Shim .....	2	2
10	296359	Washer .....	6	6
11	296157	Capscrew .....	6	6
12	1614686	Strip Seal (LH) .....	1	1
12	1614687	Strip Seal (RH) .....	1	1
13	1494888	Plug .....	4	2
14	1599415	Plug .....	1	1
15	2070996	Grommet .....	2	1
16	1565125	Screw .....	4	..
17	292678	Lockwasher .....	4	..
18	1359562	Fan Assembly .....	1	..
18	1311213	Fan .....	1	..
18	1330409	Connector .....	1	..
18	1330414	Connector (Secondary Lock) .....	1	..
18	1330437	Terminal (Pin) .....	2	..
19	1463912	Nut .....	4	..
20	1583611	Capscrew .....	2	..
21	1531557	Insert .....	2	..
22	1613734	Bracket .....	1	..
23	1351681	Connector .....	1	1
	<b>a</b> 1636647	Shim .....	AR	AR

**FOOTNOTES:****a** Not Illustrated

## MODULE CAB (FIGURE 1-22) WITH A/C



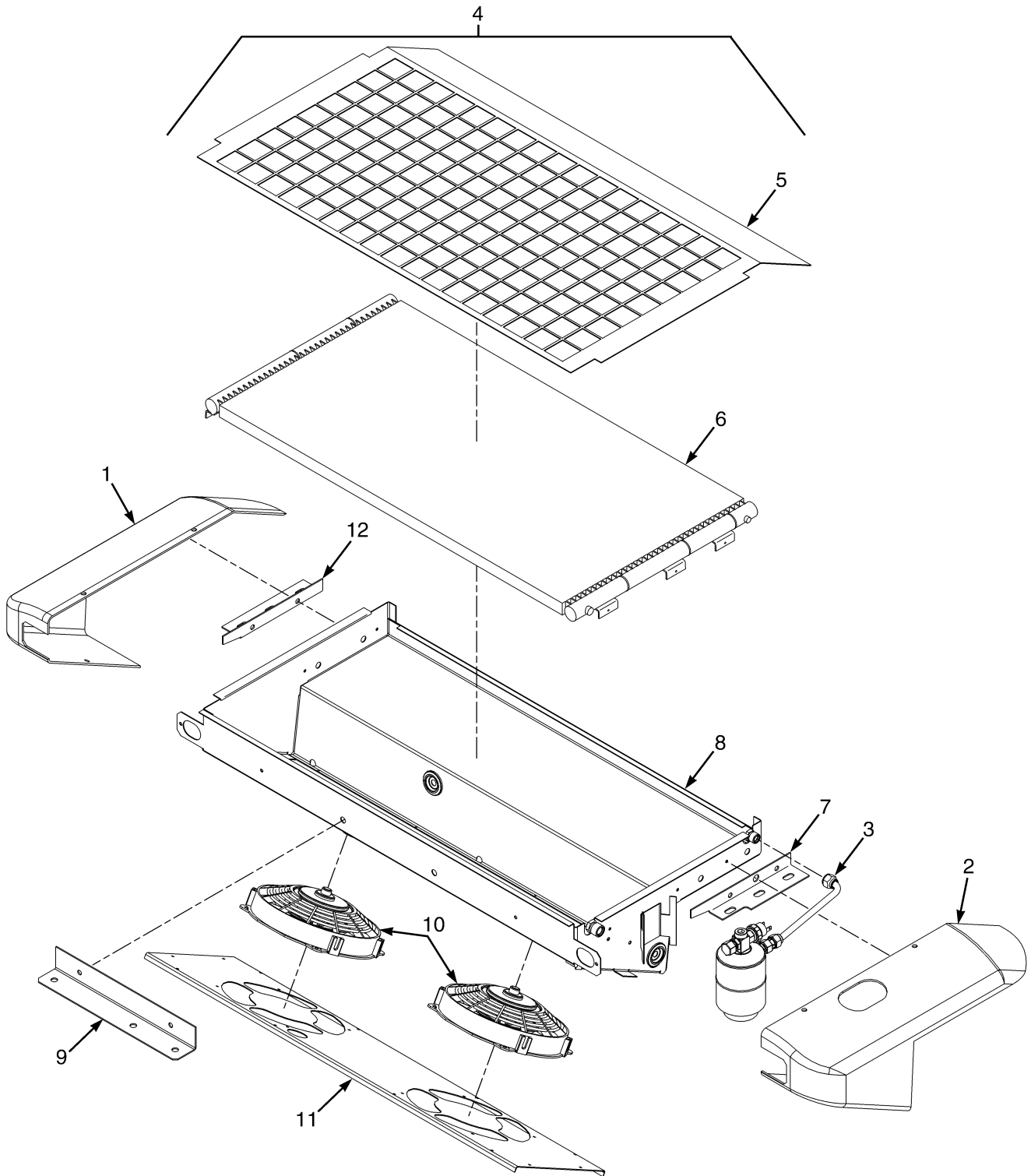
BP121349

**MODULE CAB  
WITH A/C**

ITEM	PART NO.	DESCRIPTION	QTY
1	1683428	Cab (☞ Figure 1-24, ☞ Figure 1-25).....	1
2	1574301	Plug .....	6
3	1583611	Capscrew .....	4
4	1536813	Handle (Grab) .....	1
5	1589787	Seal .....	2
6	1527888	Capscrew .....	8
7	1528888	Nut (Shoulder) .....	2
8	4040607	Seal .....	2
9	1636853	Shim .....	2
10	296359	Washer .....	6
11	296157	Capscrew .....	6
12	1614686	Strip Seal (LH) .....	1
12	1614687	Strip Seal (RH) .....	1
13	1494888	Plug .....	4
14	1599415	Plug .....	1
15	1560671	Grommet .....	1
16	1565125	Screw .....	4
17	292678	Lockwasher .....	4
18	1359562	Fan Assembly .....	1
18	1311213	Fan .....	1
18	1330409	Connector .....	1
18	1330414	Connector (Secondary Lock) .....	1
18	1330437	Terminal (Pin) .....	2
19	1463912	Nut .....	4
20	1583611	Capscrew .....	2
21	1531557	Insert .....	2
22	1613734	Bracket .....	1
23	1351681	Connector .....	1
	<b>a</b> 1636647	Shim .....	AR

**FOOTNOTES:****a** Not Illustrated

**MODULE CAB (FIGURE 1-23)  
CONDENSER ASSEMBLY**



BP120637

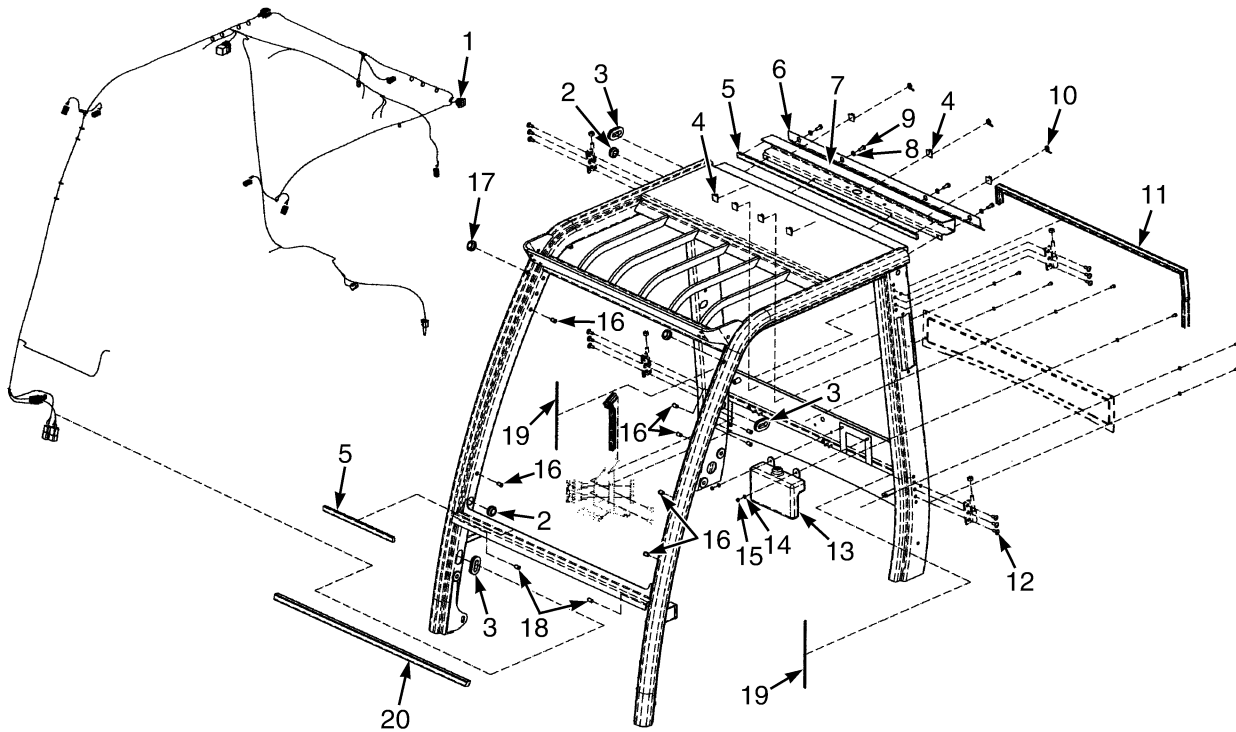


**MODULE CAB  
CONDENSER ASSEMBLY**

ITEM	PART NO.	DESCRIPTION	QTY
1	4007133	Cover .....	1
2	4007132	Cover .....	1
3	4007134	Air Dryer .....	1
4	4007135	Condenser (Assembly) .....	1
5	4007145	Cover .....	1
6	4003079	Condenser .....	1
7	4007141	Bracket .....	1
8	4007139	Case .....	1
9	4007140	Bracket .....	1
10	4007138	Fan .....	2
11	4007143	Plate .....	1
12	4007144	Bracket .....	1
	<b>a</b> 4007142	Relay .....	1
	<b>a</b> 4002509	Cap .....	1
	<b>a</b> 4007147	Clip .....	1
	<b>a</b> 4002504	Clamp .....	1
	<b>a</b> 4007209	Wire Harness .....	1
	<b>a</b> 4007210	Wire Harness .....	1
	<b>a</b> 4007211	Wire Harness .....	1
	<b>a</b> 4007212	Filter .....	1
	<b>a</b> 4007213	Fuse .....	1

**FOOTNOTES:****a** Not Illustrated

## MODULE CAB (FIGURE 1-24) FRAME AND ATTACHING PARTS — SHEET 1 OF 2

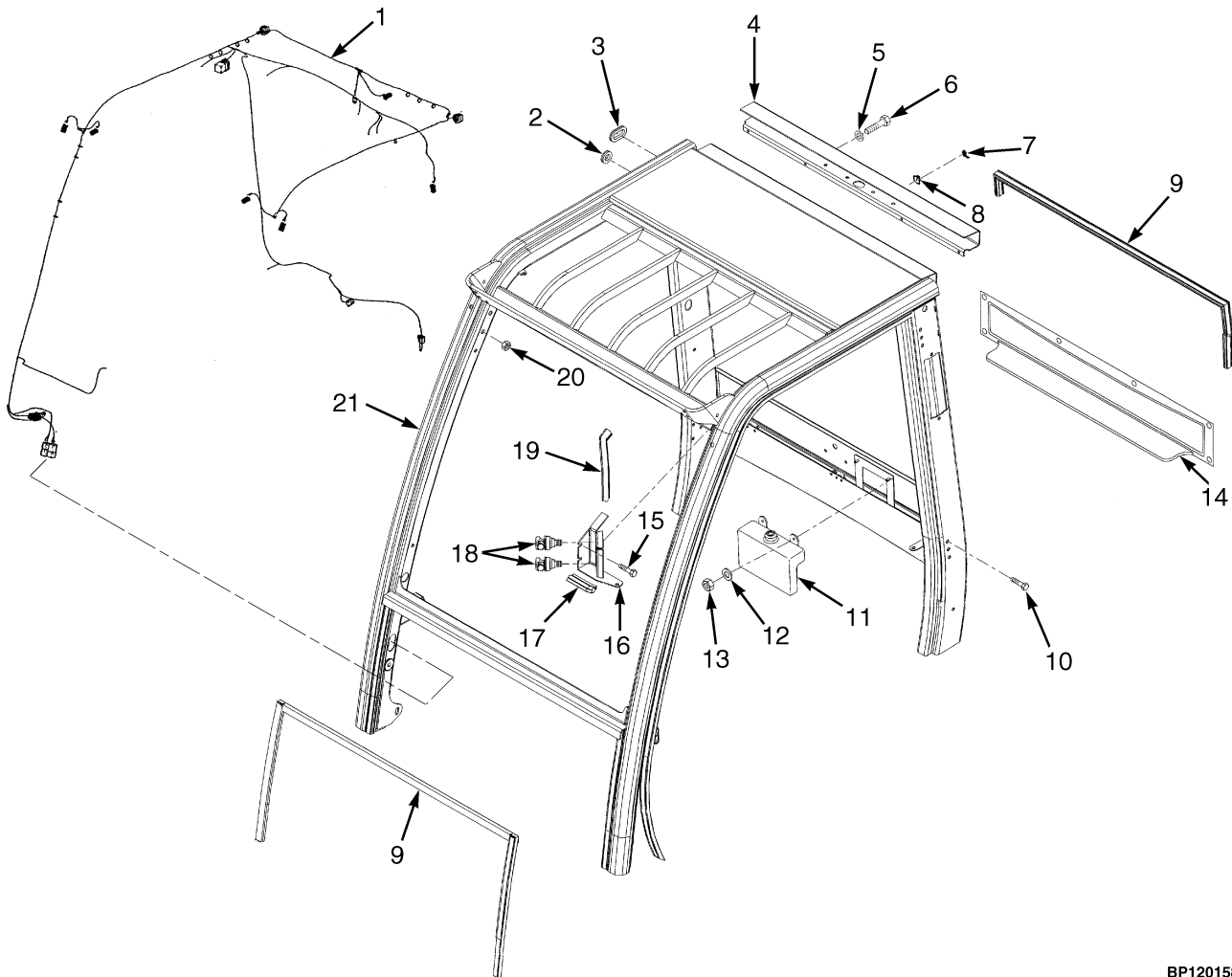


BP120635

**MODULE CAB**  
**FRAME AND ATTACHING PARTS – SHEET 1 OF 2**

ITEM	PART NO.	DESCRIPTION	QTY
	1683428	Cab (With A/C) .....	1
	1652722	Cab (Without A/C) .....	1
	1641660	Cab (With PVC Doors) .....	1
1	1598333	Wire Harness .....	1
1	2044712	Relay (30 Amp) .....	1
2	1646729	Grommet .....	2
3	1598332	Grommet .....	3
4	1558036	Clip .....	7
5	1646726	Seal .....	AR
6	1690936	Cover .....	1
7	1639004	Cover .....	1
8	.....	Washer .....	4
9	136681	Capscrew .....	4
10	1393499	Clamp .....	3
11	1515337	Seal .....	AR
12	1674103	Screw .....	12
13	1598329	Reservoir (Washer Bottle with Pump) .....	1
13	1705156	Pump (Windshield Washer, 12V) .....	1
14	<del>4093489</del>		
	320156	Washer .....	2
15	136687	Nut .....	2
16	1674102	Rivet .....	9
17	1646728	Sleeve .....	2
18	.....	Nut .....	1
19	1692589	Adhesive .....	AR
20	1674106	Seal .....	AR

## MODULE CAB (FIGURE 1-25) FRAME AND ATTACHING PARTS — SHEET 2 OF 2

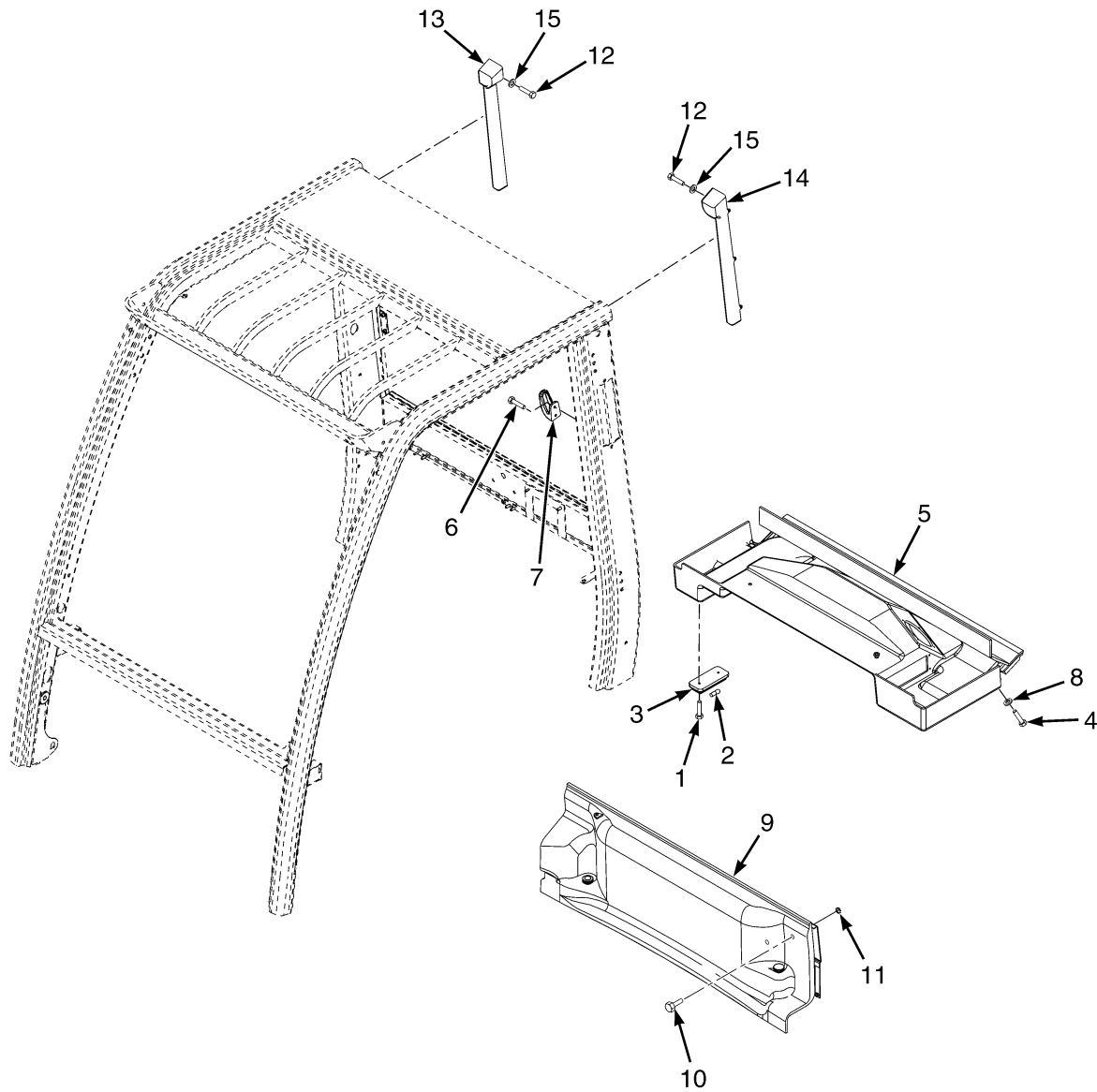


BP120158

**MODULE CAB**  
**FRAME AND ATTACHING PARTS – SHEET 2 OF 2**

ITEM	PART NO.	DESCRIPTION	QTY
	1652722	Cab (Without A/C) .....	1
	1683428	Cab (With A/C) .....	1
	1641660	Cab (With PVC Doors) .....	1
1	1598333	Wire Harness .....	1
1	2044712	Relay (30 Amp) .....	1
2	1646729	Grommet .....	2
3	1598332	Grommet .....	3
4	1639004	Cover (Cable) .....	1
5	320158	Washer .....	4
6	136681	Capscrew .....	4
7	1558036	Clip .....	3
8	1393499	Clamp .....	3
9	1515337	Seal .....	AR
10	1493308	Bolt .....	12
11	1598329	Reservoir (Washer Bottle with Pump) .....	1
11	1705156	Pump (Windshield Washer, 12V) .....	1
12	<del>4093489</del>		
	320156	Washer .....	7
13	136687	Nut .....	2
14	1598668	Cover (Rear without AC) .....	1
14	1688200	Cover (Rear With AC) .....	1
15	1583611	Capscrew .....	2
16	.....	Heater Hose Bulkhead .....	1
16	1643584	Bracket .....	1
16	1393539	Seal .....	AR
17	1515337	Seal .....	AR
18	1598327	Connector (Female) .....	2
19	1614926	Strip Seal .....	1
20	1468308	Nut .....	6
21	.....	Frame .....	1

## MODULE CAB (FIGURE 1-26) INTERIOR PANELS



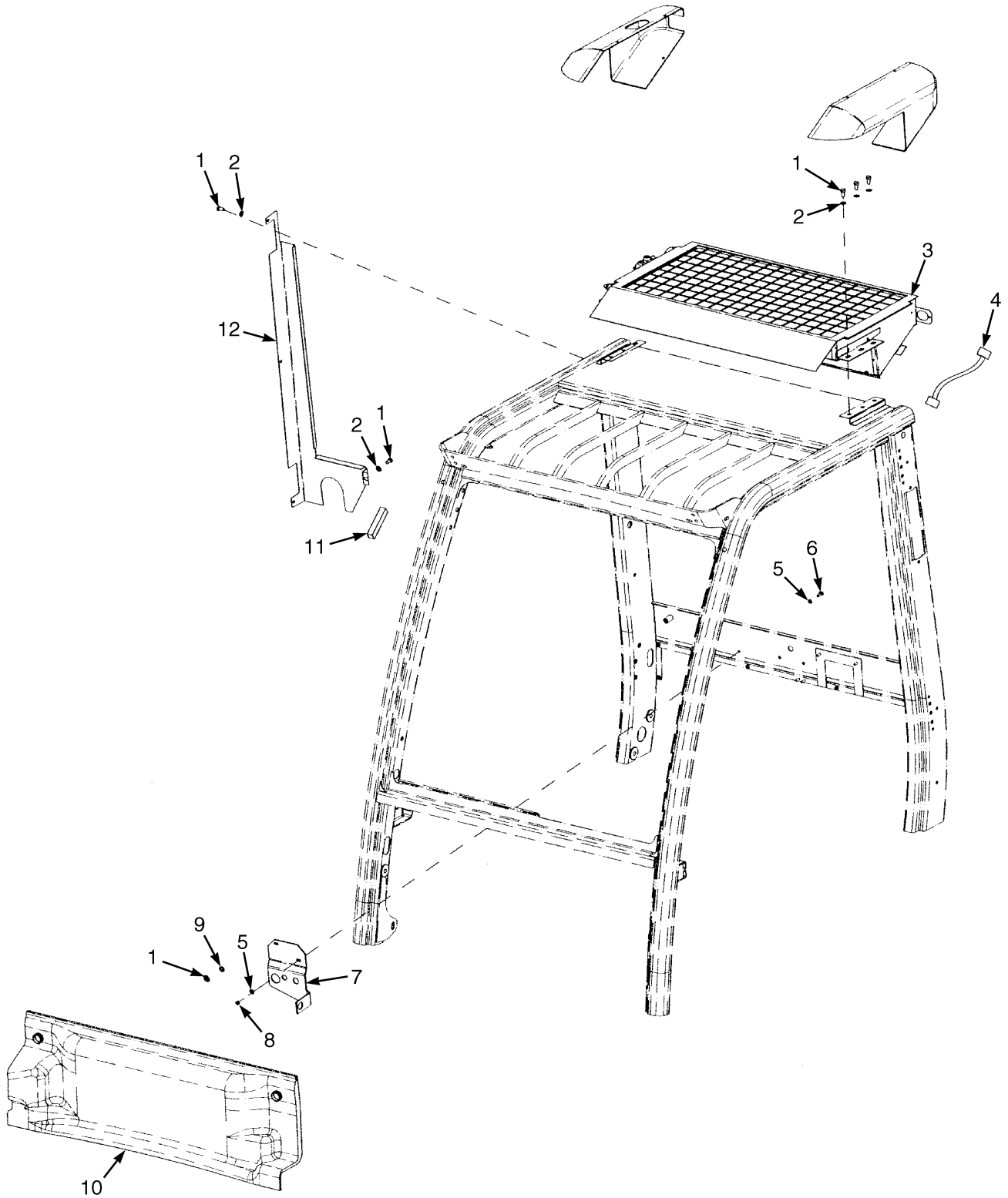
BP121347

**MODULE CAB  
INTERIOR PANELS**

ITEM	PART NO.	DESCRIPTION	QTY
	1652722	Cab (Without A/C) .....	1
	1683428	Cab (With A/C) .....	1
	1641660	Cab (With PVC Doors) .....	1
1	1468319	Screw .....	2
2	1393527	Bulb .....	1
3	1393528	Dome Light .....	1
4	1623364	Capscrew .....	4
5	1598422	Headliner .....	1
6	1623370	Screw .....	2
7	1393458	Hanger .....	1
8	296419	Washer .....	4
9	1641054	Cover (Radiator) (Without A/C) .....	1
9	1688198	Cover (Radiator) (With A/C) .....	1
10	4009578	Screw .....	2
11	1651739	Rivet .....	2
12	1468319	Screw .....	6
13	1598424	Support (RH) .....	1
14	1598425	Support (LH) .....	1
15	296415	Washer .....	6
	<b>a</b> 1566767	Bracket (Dome Light) .....	1

**FOOTNOTES:****a** Not Illustrated

## MODULE CAB ATTACHING PARTS (FIGURE 1-27) WITH A/C



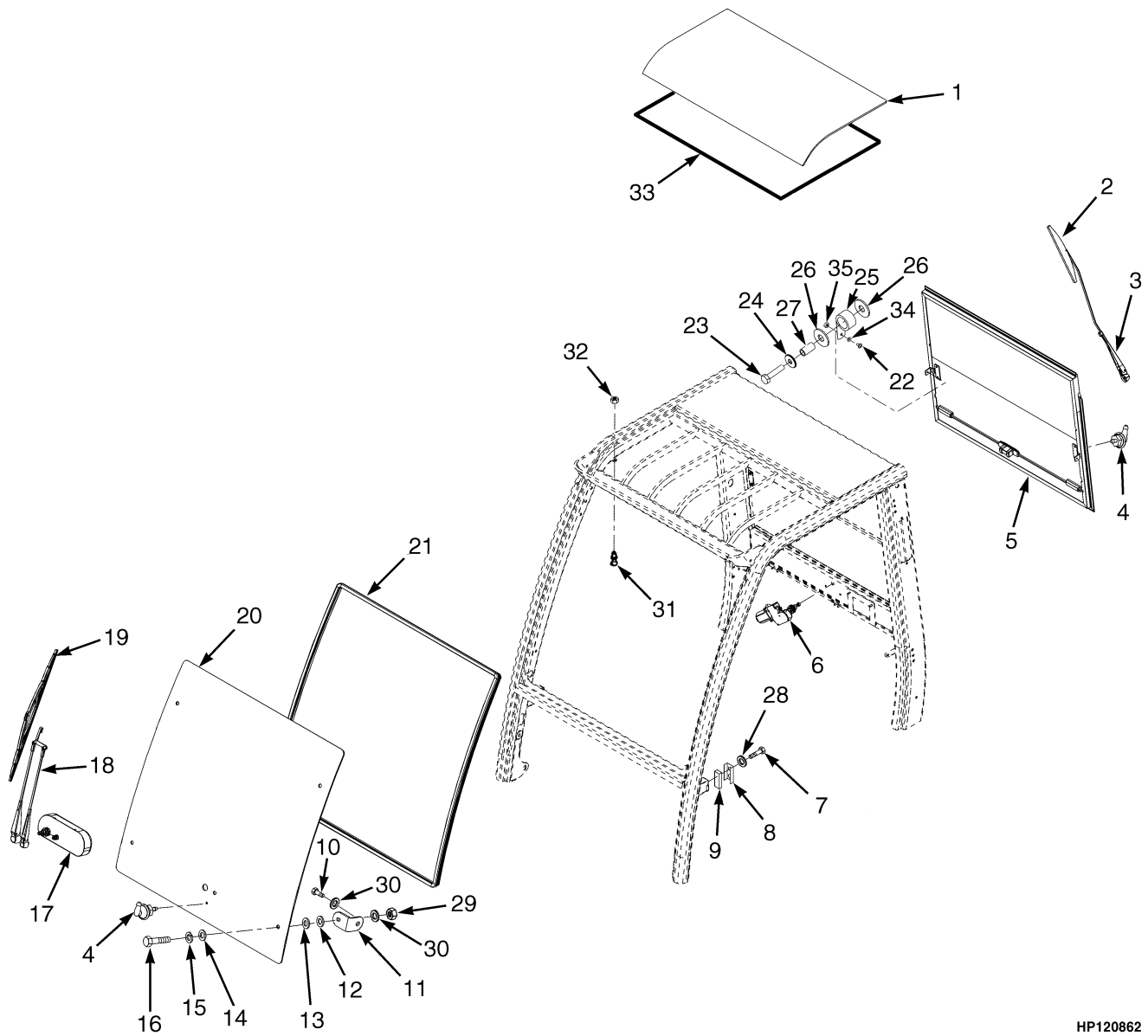
BP120640



**MODULE CAB ATTACHING PARTS  
WITH A/C**

ITEM	PART NO.	DESCRIPTION	QTY
	1683428	Cab .....	1
1	287851	Capscrew .....	9
2	320158	Washer .....	10
3	4007135	Condenser (☞ Figure 1-23).....	1
4	1701960	Wire Harness .....	2
5	<del>4093489</del>		
	320156	Washer .....	4
6	292501	Capscrew .....	2
7	1701959	Grommet .....	1
8	136687	Nut .....	2
9	239503	Nut .....	1
10	1688198	Cover (Radiator) .....	1
11	1498336	Edge Protector .....	1
12	1701958	Cover .....	1

## MODULE CAB (FIGURE 1-28) WINDOWS AND WINDOW WIPER SYSTEM



HP120862

**MODULE CAB**  
**WINDOWS AND WINDOW WIPER SYSTEM**

ITEM	PART NO.	DESCRIPTION	QTY
	1652722	Cab (Without A/C) .....	1
	1683428	Cab (With A/C) .....	1
	1641660	Cab (With PVC Doors) .....	1
1	1598293	Window (Roof) .....	1
2	1598297	Wiper Blade (Rear) .....	1
3	1598296	Wiper Arm (Rear) .....	1
4	4018452	Window Washer Nozzle .....	1
5	1598290	Sliding Window (Rear) (☞Figure 1-29).....	1
5	1615998	Latch (Contains one center, two end latches and springs) .....	1
5	1615999	Spring .....	2
5	1615813	Bar .....	1
6	1598295	Wiper Motor (Rear) .....	1
6	1645316	Kit-Wiper Motor .....	1
6	1645317	Kit-Wiper Motor .....	1
6	1507003	Nozzle .....	1
7	1639003	Striker Bolt .....	2
7	<b>a</b> 1653630	Striker Bolt .....	1
8	1393541	Guard .....	2
8	<b>a</b> 1674101	Spacer .....	2
9	1504953	Block (Tapped) .....	2
10	1623364	Capscrew .....	4
11	1598210	Bracket .....	4
12	1598211	Washer .....	4
13	1468317	Washer .....	4
14	1468316	Washer .....	4
15	1468315	Washer .....	4
16	1468314	Screw .....	4
17	<b>b</b> 1692587	Wiper Motor Assembly .....	1
17	<b>b</b> 1669224	Wiper Motor (Front) .....	1
17	1667632	Cover .....	1
18	<b>b</b> 1690933	Wiper Arm (Front) .....	1
19	<b>b</b> 1690934	Wiper Blade (Front) .....	1
20	<b>b</b> 1667630	Front Window .....	1
21	1495441	Seal .....	AR
22	302019	Screw .....	2
23	1598291	Capscrew .....	2
24	1558052	Washer .....	2
25	1598302	Spring .....	2
26	1598301	Bushing .....	4
27	1623366	Sleeve .....	2
28	1571029	Washer .....	2
29	239503	Nut .....	4
30	320158	Washer .....	4
31	1393472	Ball Stud .....	2
32	316835	Nut .....	2
33	1623377	Seal .....	AR
33	<b>a</b> 1674088	Seal .....	AR
34	296415	Washer .....	2
35	292667	Nut .....	2
	1674109	Kit-Repair (Glue) .....	AR

**MODULE CAB**  
**WINDOWS AND WINDOW WIPER SYSTEM**

ITEM	PART NO.	DESCRIPTION	QTY
	1692586	Kit-Front Screen with Wiper .....	1

**FOOTNOTES:**

- a** Cab with A/C only
- b** Off-Center Mounted Wiper Motor

**NOTES**

---

---

---

---

---

---

---

---

---

---

---

---

---

---

---

---

---

---

---

---

---

---

---

---

---

---

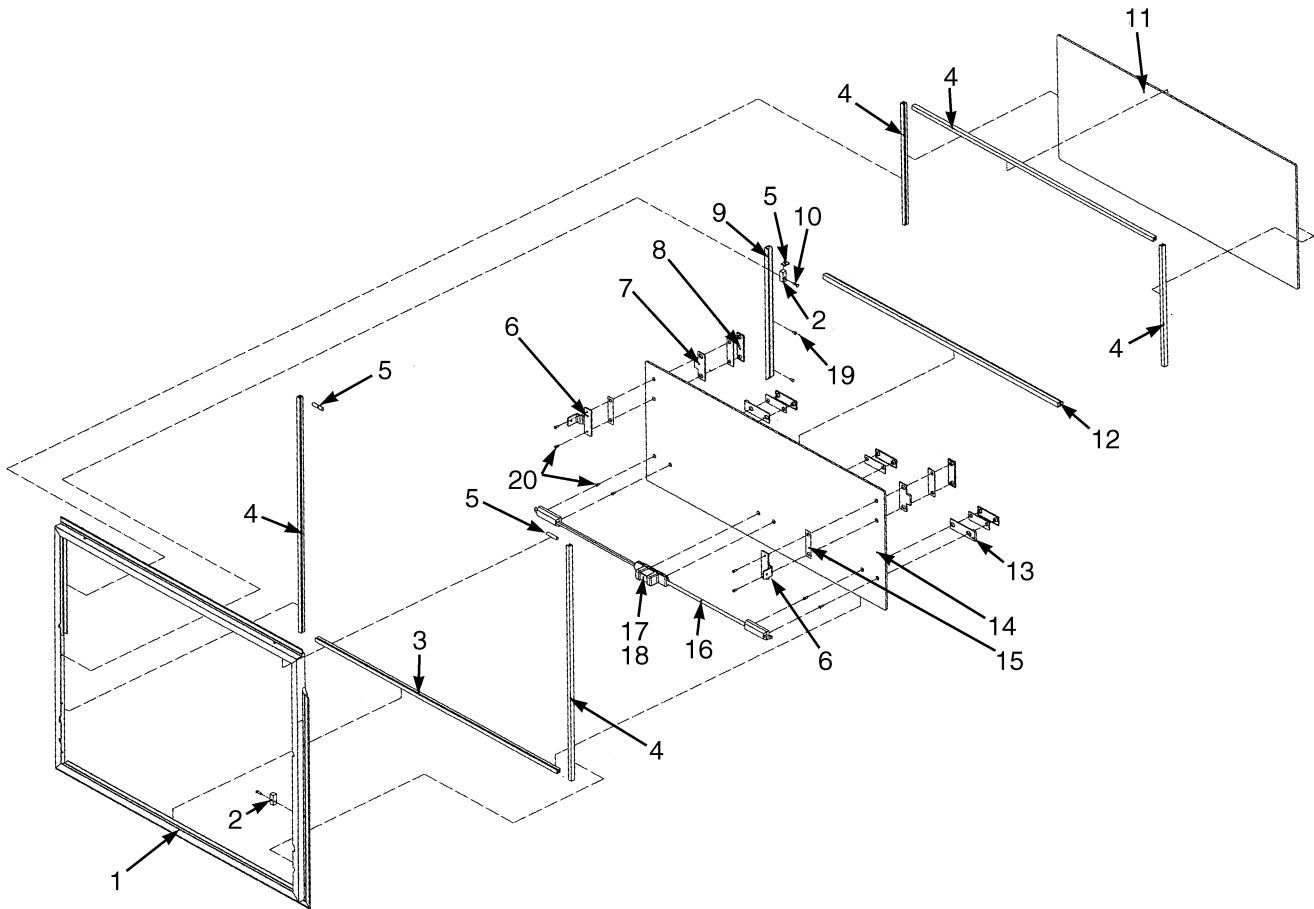
---

---

---

---

## MODULE CAB (FIGURE 1-29) SLIDING REAR WINDOW

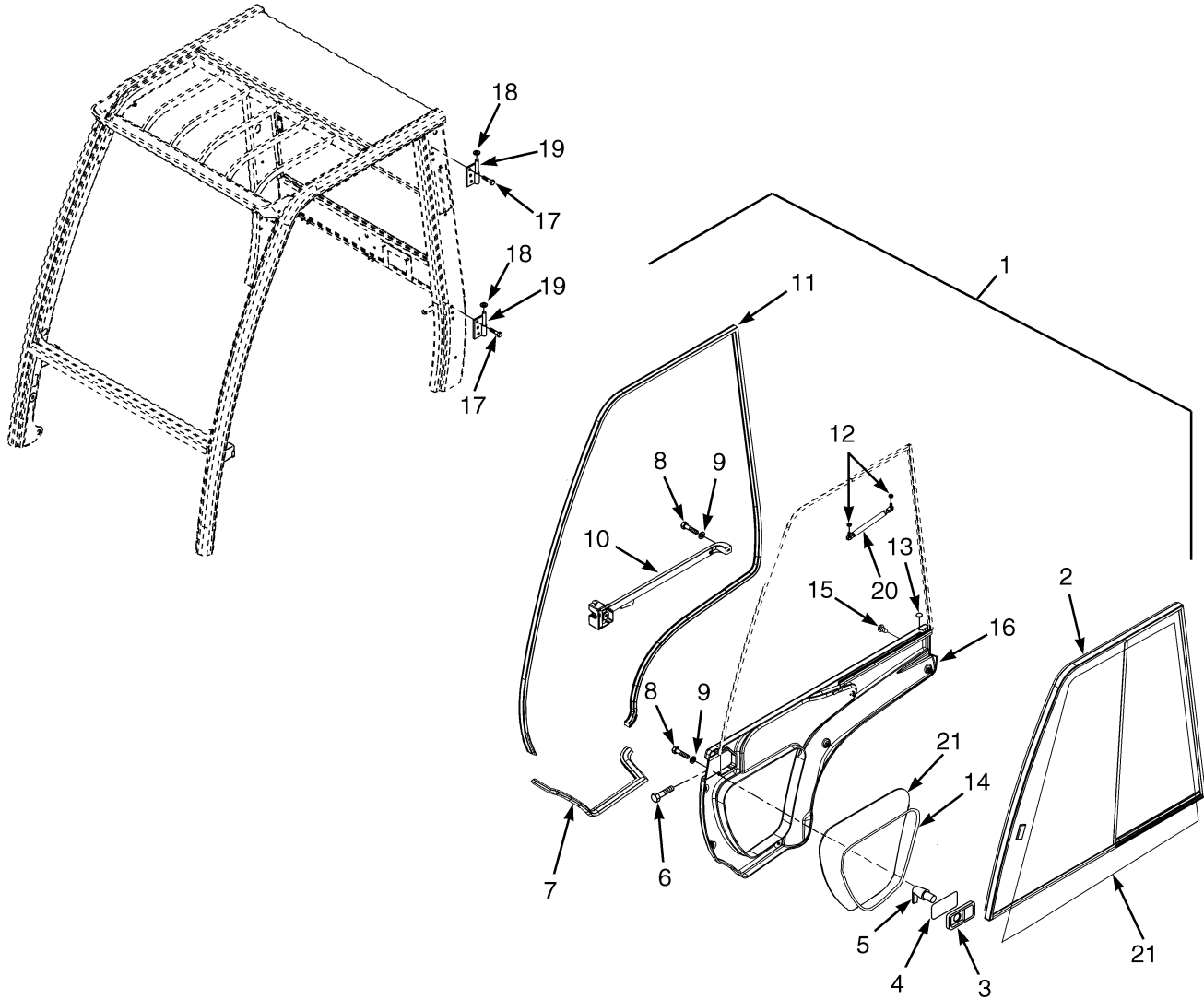


BP120365

**MODULE CAB  
SLIDING REAR WINDOW**

ITEM	PART NO.	DESCRIPTION	QTY
	1598290	Sliding Window .....	1
1	1670441	Frame .....	1
2	1670443	Bushing .....	2
3	1670424	Guide .....	1
4	1641637	Seal .....	AR
5	1641640	Strip Seal .....	AR
6	1670427	Stop .....	2
7	1670428	Pad .....	2
8	1670429	Plate .....	2
9	1670442	Rail .....	1
10	1670421	Screw .....	2
11	1670425	Glass (Rear Glass) .....	1
12	1670444	Seal .....	1
13	1670423	Pad .....	2
14	1670426	Glass (Sliding Glass) .....	1
15	1670440	Pad .....	2
16	1615813	Bar .....	2
17	1615998	Latch (Contains one center, two end latches and springs) .....	1
18	1615999	Spring .....	2
19	1670422	Screw .....	2
20	1670430	Screw .....	8

## MODULE CAB (FIGURE 1-30) LH DOOR



HP120861

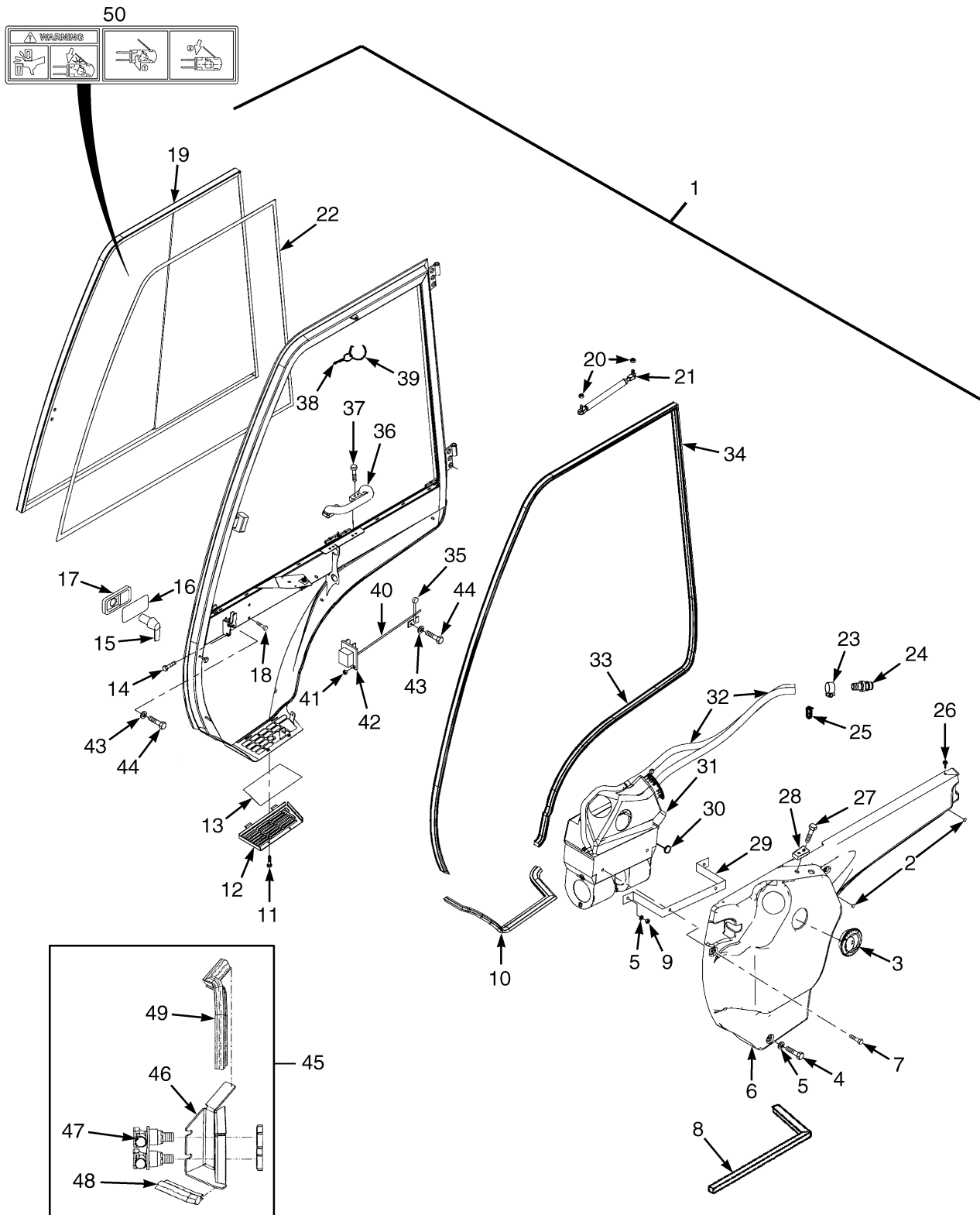


**MODULE CAB  
LH DOOR****KEY:****A: Standard Cab****B: Cab with A/C**

ITEM	PART NO.	DESCRIPTION	QTY	
			A	B
	1652722	Cab (Without A/C) .....	1	..
	1683428	Cab (With A/C) .....	..	1
1	1690931	Door (LH) .....	1	..
1	1598417	Door Assembly (LH) .....	..	1
1	1651814	Door Frame Weldment (LH) .....	..	1
2	1653967	Sliding Window Assembly (☞ Figure 1-35).....	1	1
3	1598393	Grip (Without Key) .....	1	1
4	1598394	Shim .....	1	1
5	1598392	Lever .....	1	1
6	296229	Capscrew .....	2	2
7	1393539	Seal .....	AR	..
7	1623391	Seal .....	..	AR
8	302047	Screw .....	5	3
8	1623393	Capscrew .....	..	2
9	<del>4093489</del>			
	320156	Washer .....	5	3
9	1651739	Rivet .....	..	2
10	1393479	Door Handle .....	1	1
11	1515337	Seal .....	AR	..
11	1393463	Seal .....	..	AR
12	302400	Nut .....	2	2
12	4009902	Ball Stud .....	2	2
13	1598390	Plug .....	2	..
13	1558034	Button .....	..	2
14	1598395	Window (Door, Lower, LH) .....	1	1
15	1598389	Fastener .....	5	3
15	1651739	Rivet .....	..	2
16	1653973	Cover (Door, LH) .....	1	1
17	1493308	Bolt .....	12	..
17	1674103	Screw .....	..	12
18	1468312	Washer .....	2	..
19	1503958	Hinge (LH) .....	2	..
20	1598397	Gas Spring .....	1	1
21	1558294	Seal .....	AR	..
	<b>a</b> 1598390	Plug .....	5	..
	<b>a</b> 1593629	Key (For Cab Door Grip) .....	2	1
	<b>a</b> 1506825	Strap Clamp .....	..	1

**FOOTNOTES:****a** Not Illustrated

## MODULE CAB WITH STEEL DOORS (FIGURE 1-31) RIGHT HAND DOOR AND HEATER ASSEMBLY



BP121348

**MODULE CAB WITH STEEL DOORS  
RIGHT HAND DOOR AND HEATER ASSEMBLY**

ITEM	PART NO.	DESCRIPTION	QTY
	1652722	Cab (Without A/C) .....	1
	1683428	Cab (With A/C) .....	1
1	1598416	Door Assembly (RH without A/C) .....	1
1	1652426	Door (RH) (Weldment) .....	1
1	1701961	Door Assembly with Air Conditioner (RH) .....	1
2	1651739	Rivet .....	2
3	1598398	Louver (Air) .....	3
4	1623395	Capscrew .....	2
5	320158	Washer .....	4
6	1653972	Cover (Without AC) .....	1
6	1701964	Cover (With AC) .....	1
7	1598389	Fastener .....	3
8	1508229	Seal .....	AR
9	239503	Nut .....	2
10	1623391	Seal .....	AR
11	1598399	Screw .....	2
12	1598401	Bracket .....	1
13	1598400	Filter .....	1
14	296229	Capscrew .....	2
15	1598411	Lever .....	1
16	1598394	Shim .....	1
17	1598393	Grip (Without Key) .....	1
18	1623393	Capscrew .....	2
19	1653970	Sliding Window (RH) (☞Figure 1-36).....	1
20	316835	Nut .....	1
21	1393472	Ball Stud .....	1
22	1558294	Seal .....	1
23	1674073	Clamp .....	1
24	1598670	Fitting (Male) .....	2
25	1393499	Clamp .....	1
26	1558034	Button .....	2
27	1468318	Screw .....	4
28	1623403	Plate .....	4
29	1598669	Bracket .....	1
30	1598390	Plug .....	2
31	1598404	Heater Assembly (Without AC) (☞Figure 1-33).....	1
31	.....	Heater and AC Assembly (☞Figure 1-34).....	1
32	1623400	Hose (Bulk) .....	AR
33	1515337	Seal .....	AR
34	1393463	Seal .....	AR
35	1598410	Lever .....	1
36	4070545	Handle .....	1
37	1701962	Screw .....	2
38	1593629	Key (For Cab Door Grip) .....	1
39	1506825	Strap Clamp .....	1
40	1598409	Bar .....	1
41	1598408	Nut .....	2
42	1598412	Latch (RH) .....	1
43	4093489		
	320156	Washer .....	4

**MODULE CAB WITH STEEL DOORS  
RIGHT HAND DOOR AND HEATER ASSEMBLY**

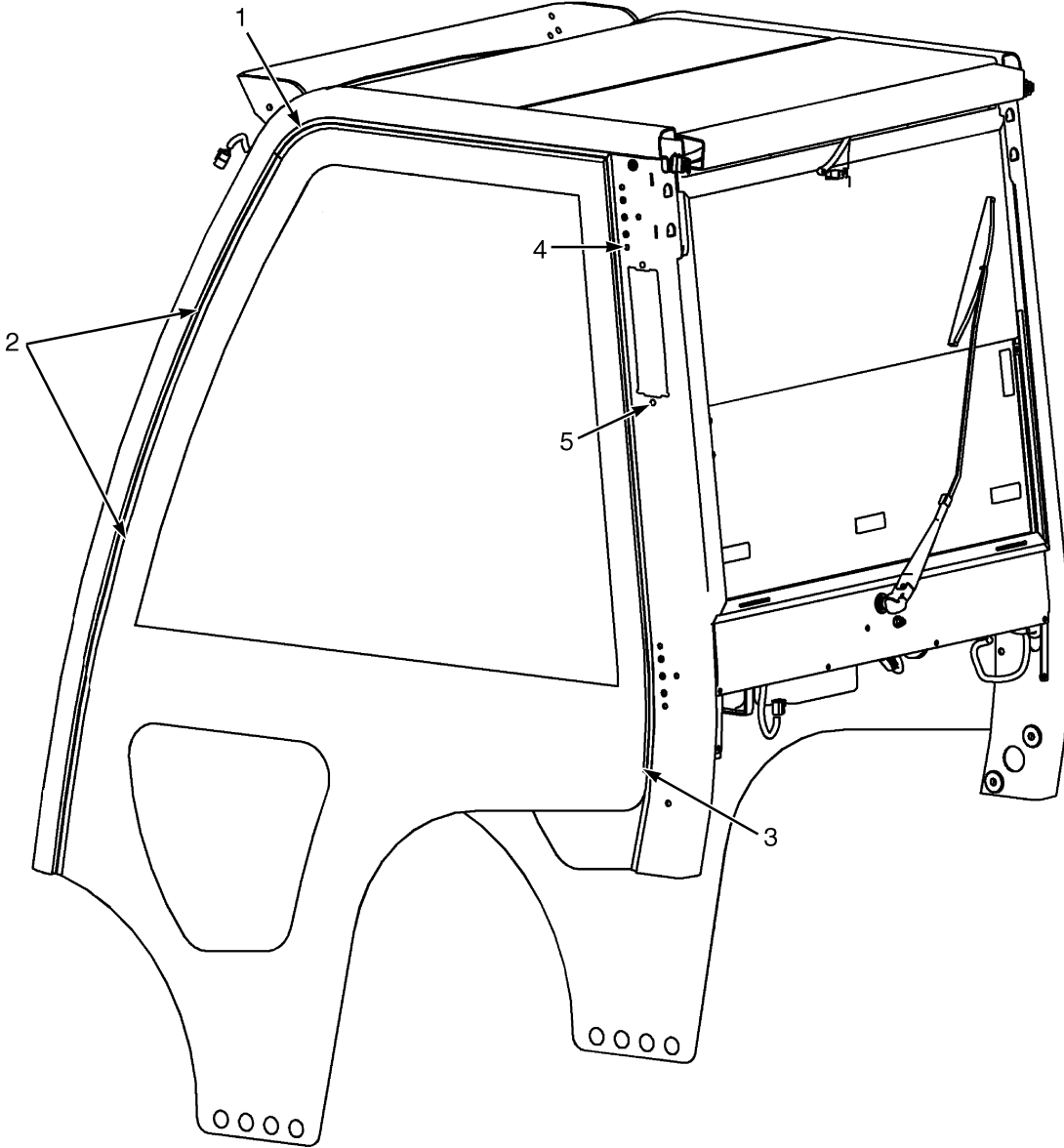
ITEM	PART NO.	DESCRIPTION	QTY
44	302047	Screw .....	4
45	.....	Bulk Head Assembly .....	1
46	1643584	Bracket .....	1
47	1598327	Connector (Female) .....	2
48	1393539	Seal .....	AR
49	1515337	Seal .....	AR
50	2081868	Label (Warning Cab with Electronic Hydraulics) .....	1
	<b>a</b> 292667	Nut .....	1
	<b>a</b> 1623397	Plate (Item 36 Handle Mounting) .....	2
	<b>a</b> 1646729	Grommet (Item 36 Handle Mounting) .....	1
	<b>a</b> 1701965	Bracket (Safety, located behind AC/Heater Assembly) .....	1
	<b>a</b> 1571841	Spacer (Located with Safety Bracket) .....	1
	<b>a</b> 1701966	Screw (Located with Safety Bracket) .....	1

**FOOTNOTES:**

**a** Not Illustrated



## MODULE CAB DOORS (FIGURE 1-32) PVC

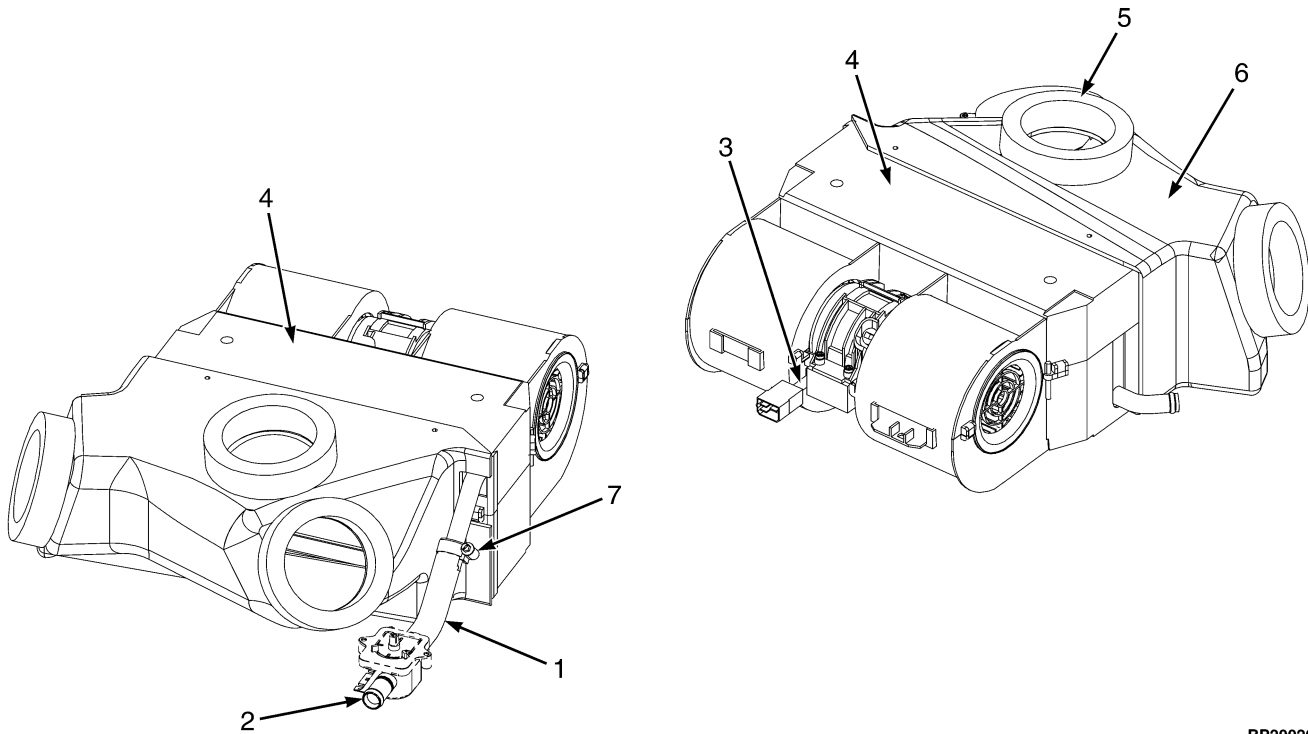


BP120196

**MODULE CAB DOORS  
PVC****KEY:****A: Right Hand****B: Left Hand**

ITEM	PART NO.	DESCRIPTION	QTY	
			A	B
	1641660	Cab .....	1	1
	1627180	Door Pvc .....	1	..
	1627176	Door Pvc .....	..	1
1	1627178	Molding (Top) (RH) .....	1	..
1	1627174	Molding (Top) (LH) .....	..	1
2	1627179	Molding (Front) (RH) .....	1	..
2	1627175	Molding (Front) (LH) .....	..	1
3	1627177	Molding (Back) (RH) .....	1	..
3	1627173	Molding (Back) (LH) .....	..	1
4	1363916	Plug .....	12	12
5	1599415	Plug .....	1	1
	1627172	Screw (Not Illustrated) .....	10	10

## MODULE CAB HEATER WITHOUT AC (FIGURE 1-33)



BP200202

ITEM	PART NO.	DESCRIPTION	QTY
	1598404	Heater Assembly (Sub Assembly) .....	1
1	1598674	Hose .....	AR
2	1598672	Valve (Water) .....	1
3	1598671	Wire Harness .....	1
4	1598675	Heater .....	1
4	4066968	Heater .....	1
4	4066969	Fan .....	1
4	1560643	Clamp .....	1
4	4066970	Resistor .....	1
4	4066971	Heat Exchanger .....	1
5	4066966	Valve (Hot Water Hose Location) .....	3
6	4066964	Vent .....	1
7	4066967	Clamp .....	2
a	1560543	Water Valve .....	1
a	1598673	Switch (Blower) .....	1
a	1623402	Clip (Hose Clamp) .....	2
a	1566210	Knob .....	1
a	1654298	Knob (Water Valve) .....	1

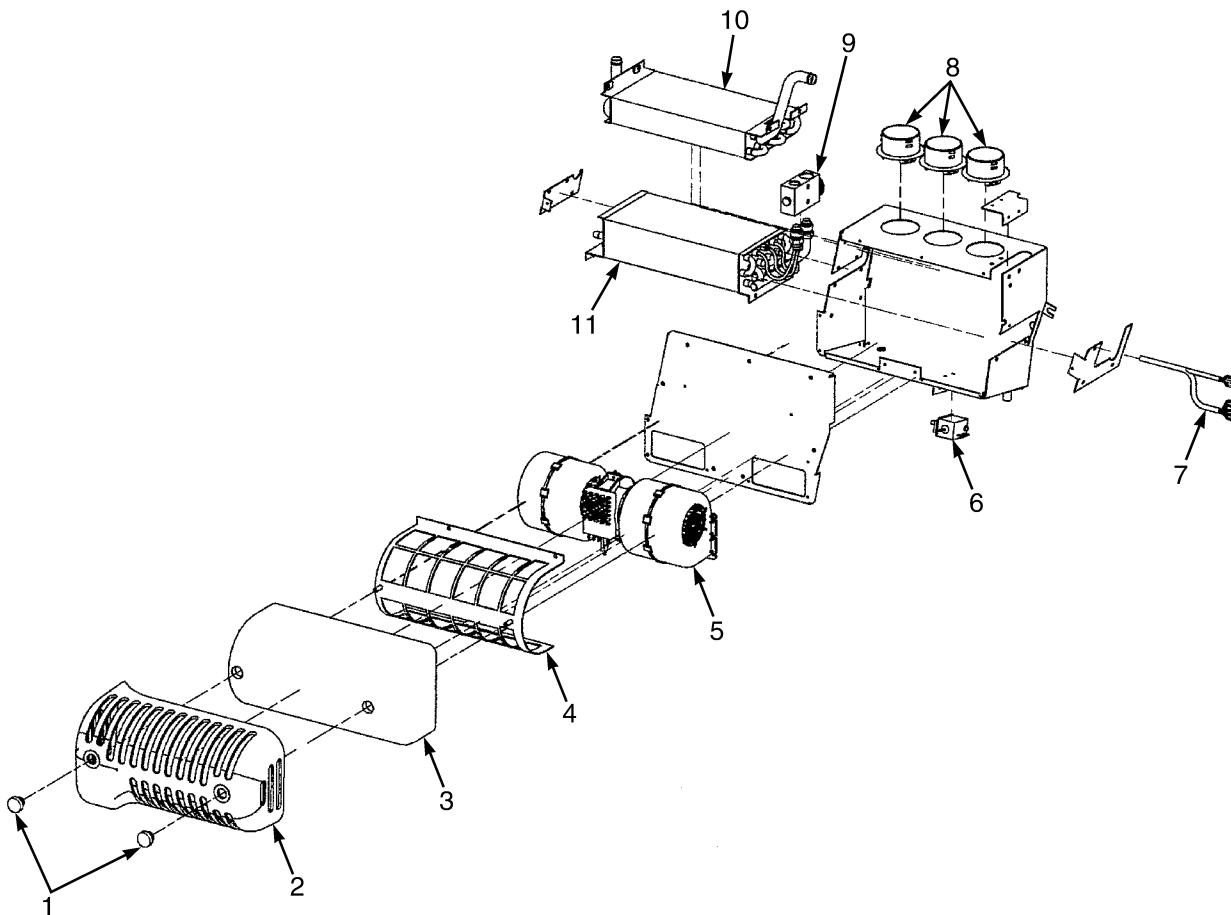
### FOOTNOTES:

a Not Illustrated





## MODULE CAB (FIGURE 1-34) HEATER

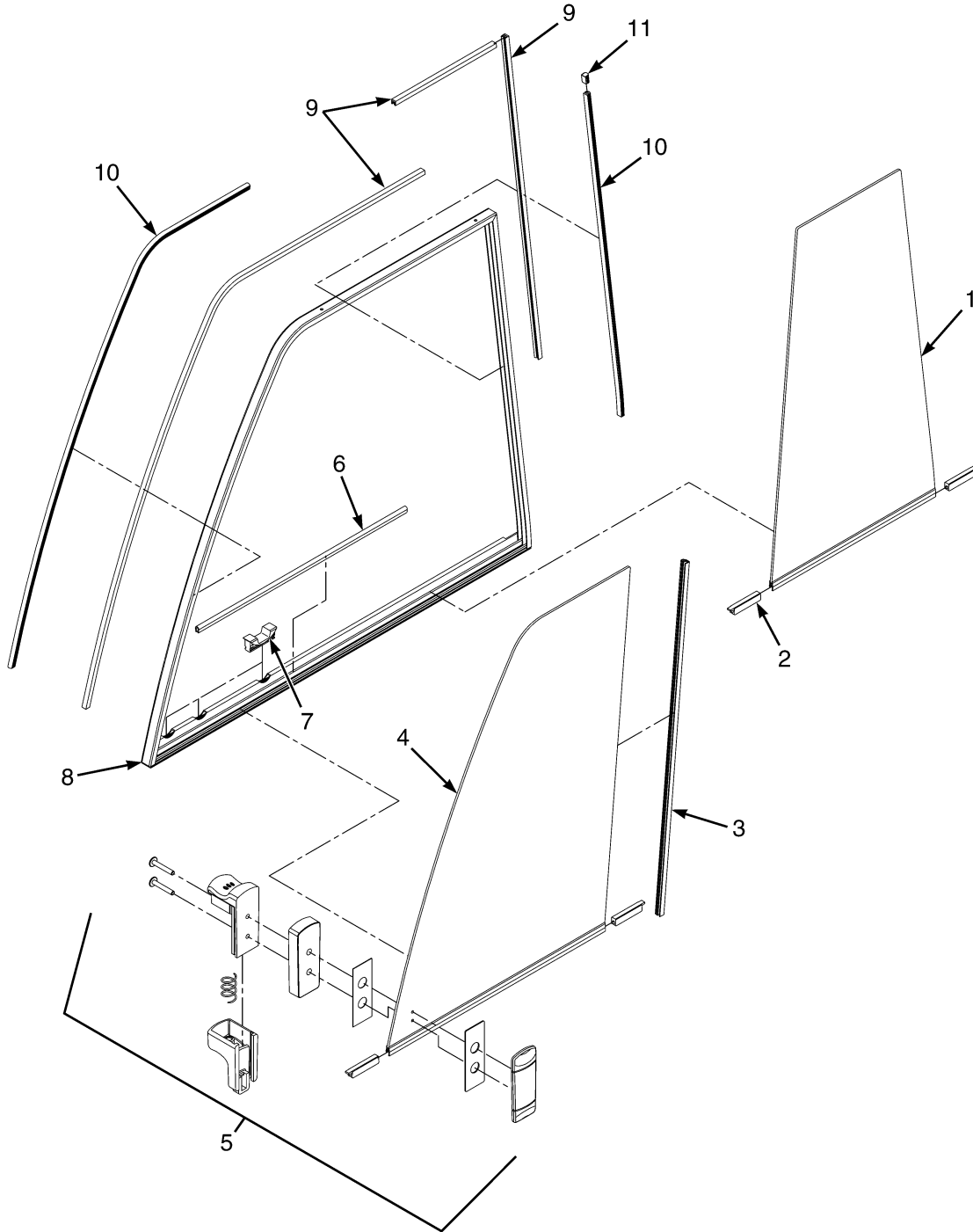


BP120633

**MODULE CAB  
HEATER**

ITEM	PART NO.	DESCRIPTION	QTY
	4004149	Heater .....	1
1	4004065	Knob .....	2
2	4004045	Cover .....	1
3	4004060	Filter .....	1
4	4004059	Filter .....	1
5	1661971	Heater (Blower) .....	1
6	4003082	Thermostat .....	1
7	4060157	Wire Harness .....	1
8	4004066	Hose Adapter .....	3
9	1487945	Valve (Block) .....	1
10	4004062	Heater .....	1
11	4004063	Evaporator .....	1

## MODULE CAB (FIGURE 1-35) WINDOW — LEFT HAND DOOR

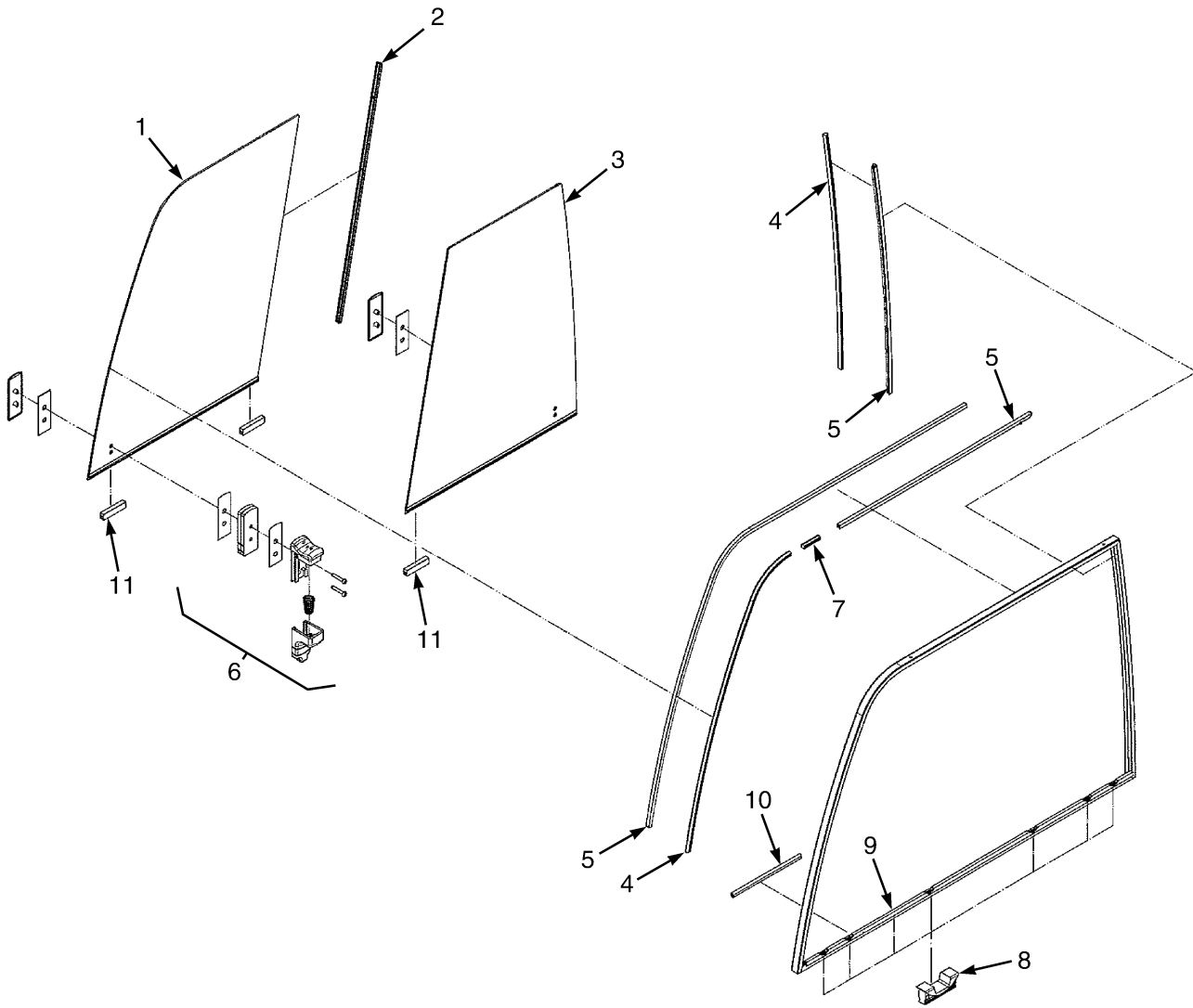


BP121194

**MODULE CAB  
WINDOW – LEFT HAND DOOR**

<b>ITEM</b>	<b>PART NO.</b>	<b>DESCRIPTION</b>	<b>QTY</b>
	1653967	Sliding Window (LH Door) .....	1
1	4025618	Window .....	1
2	4009782	Guide .....	4
3	4025619	Bar (Sealing) .....	1
4	4025617	Window (Front) .....	1
5	4013559	Latch .....	1
6	1498336	Edge Protector .....	AR
7	4009779	Clip .....	3
8	.....	Window Frame .....	1
9	1644804	Seal .....	AR
10	4009783	Seal .....	AR
11	1641640	Strip Seal .....	AR

## MODULE CAB (FIGURE 1-36) WINDOW — RIGHT HAND DOOR

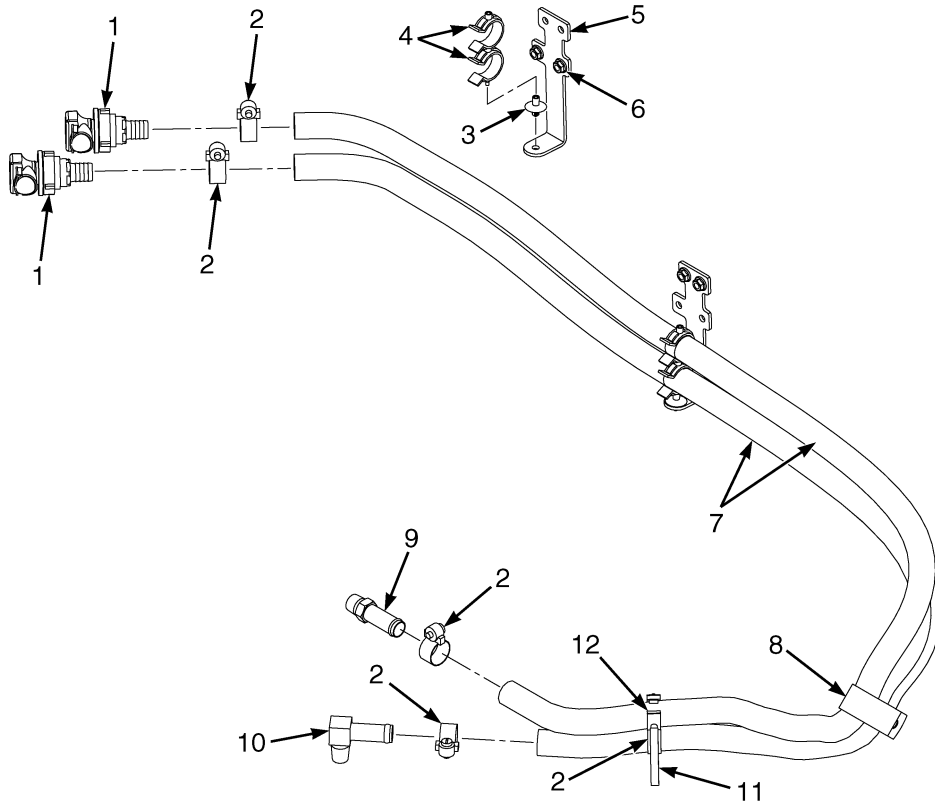


BP200204

**MODULE CAB  
WINDOW – RIGHT HAND DOOR**

ITEM	PART NO.	DESCRIPTION	QTY
	1653970	Sliding Window (RH) .....	1
1	4024323	Front Window (Sliding) .....	1
2	4025619	Bar (Sealing) .....	1
3	4024324	Rear Window (Fixed) .....	1
4	4009783	Seal .....	AR
5	1644804	Seal .....	AR
6	4013559	Latch .....	1
7	1641640	Strip Seal .....	AR
8	4009779	Clip .....	3
9	.....	Window Frame .....	1
10	1498336	Edge Protector .....	AR
11	4009782	Guide .....	4

## HEATER HOSES (FIGURE 1-37) YANMAR DIESEL



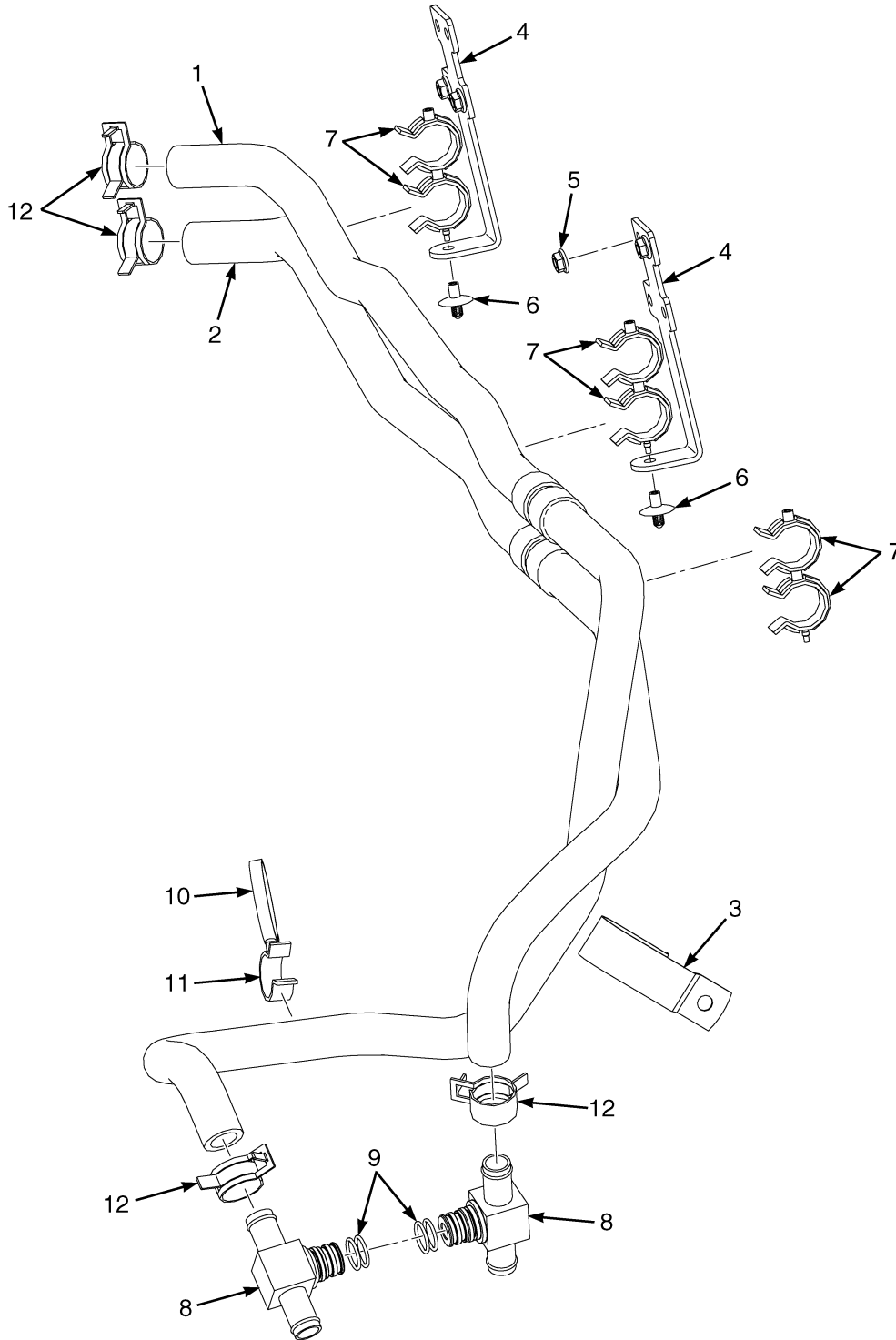
BP120970

ITEM	PART NO.	DESCRIPTION	QTY
1	1598327	Connector (Female) .....	2
2	130845	Clamp .....	4
3	1543842	Clamp .....	2
4	1569465	Clamp (Swivel) .....	5
5	1588833	Bracket .....	2
6	1514429	Nut .....	4
7	2070769	Hose .....	2
8	1562648	Clip .....	1
9	138710	Fitting .....	1
10	125305	Fitting .....	1
11	1502061	Clamp .....	1
12	1612617	Clamp (Swivel) .....	1





## HEATER HOSE (FIGURE 1-38) 2.5L KUBOTA LPG

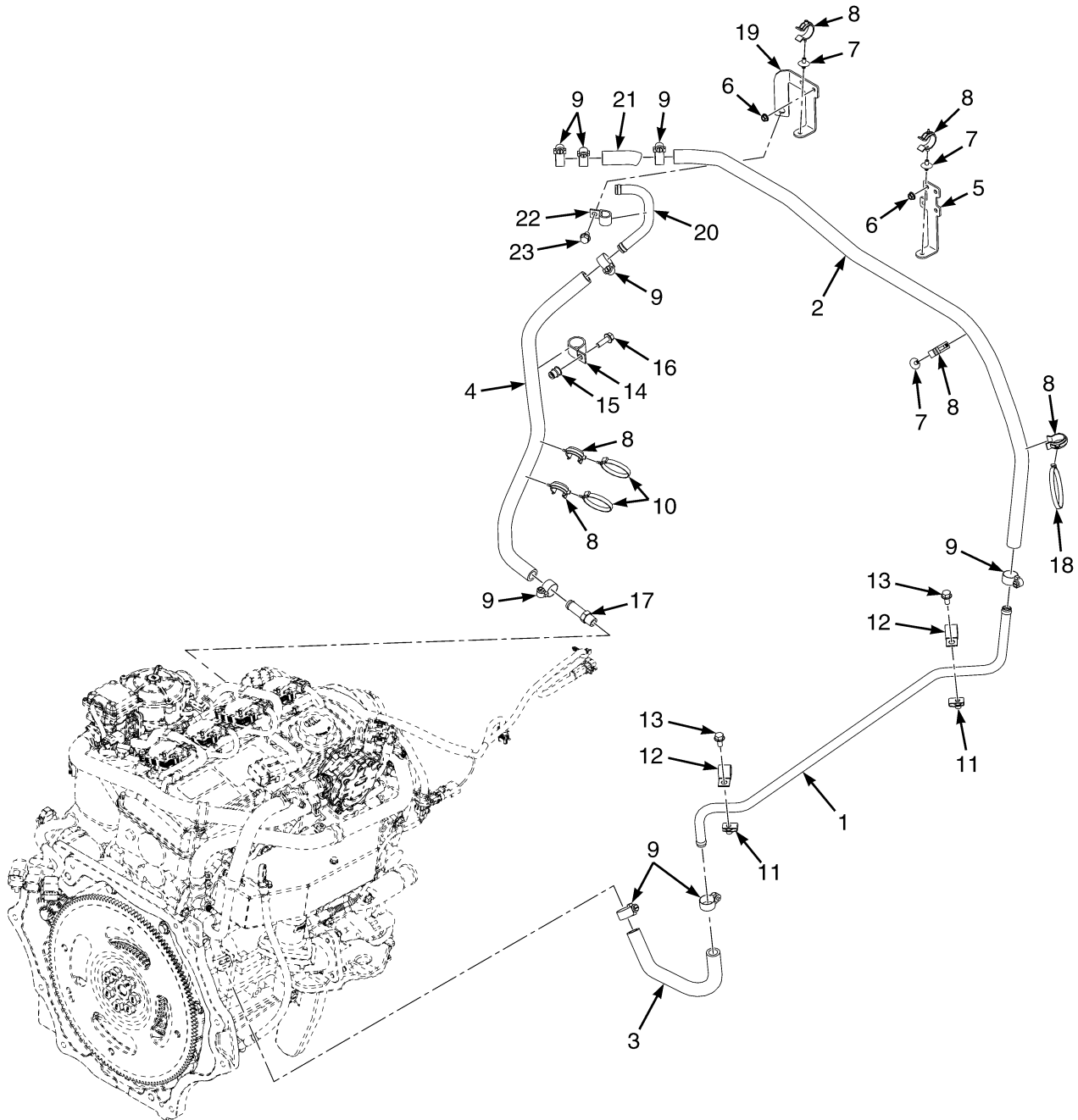


BP121261

**HEATER HOSE  
2.5L KUBOTA LPG**

ITEM	PART NO.	DESCRIPTION	QTY
1	4628918	Hose Assy .....	1
2	4628919	Hose Assy .....	1
3	1562648	Clip .....	1
4	1588833	Bracket .....	2
5	1514429	Nut .....	4
6	1543842	Clamp .....	2
7	1569465	Clamp (Swivel) .....	6
8	4066055	Fitting .....	2
9	118389	O-Ring .....	4
10	1502061	Clamp .....	1
11	1542436	Clamp (Swivel) .....	1
12	1501994	Hose Clamp .....	4

## HEATER HOSE (FIGURE 1-39) 2.4L PSI ENGINE

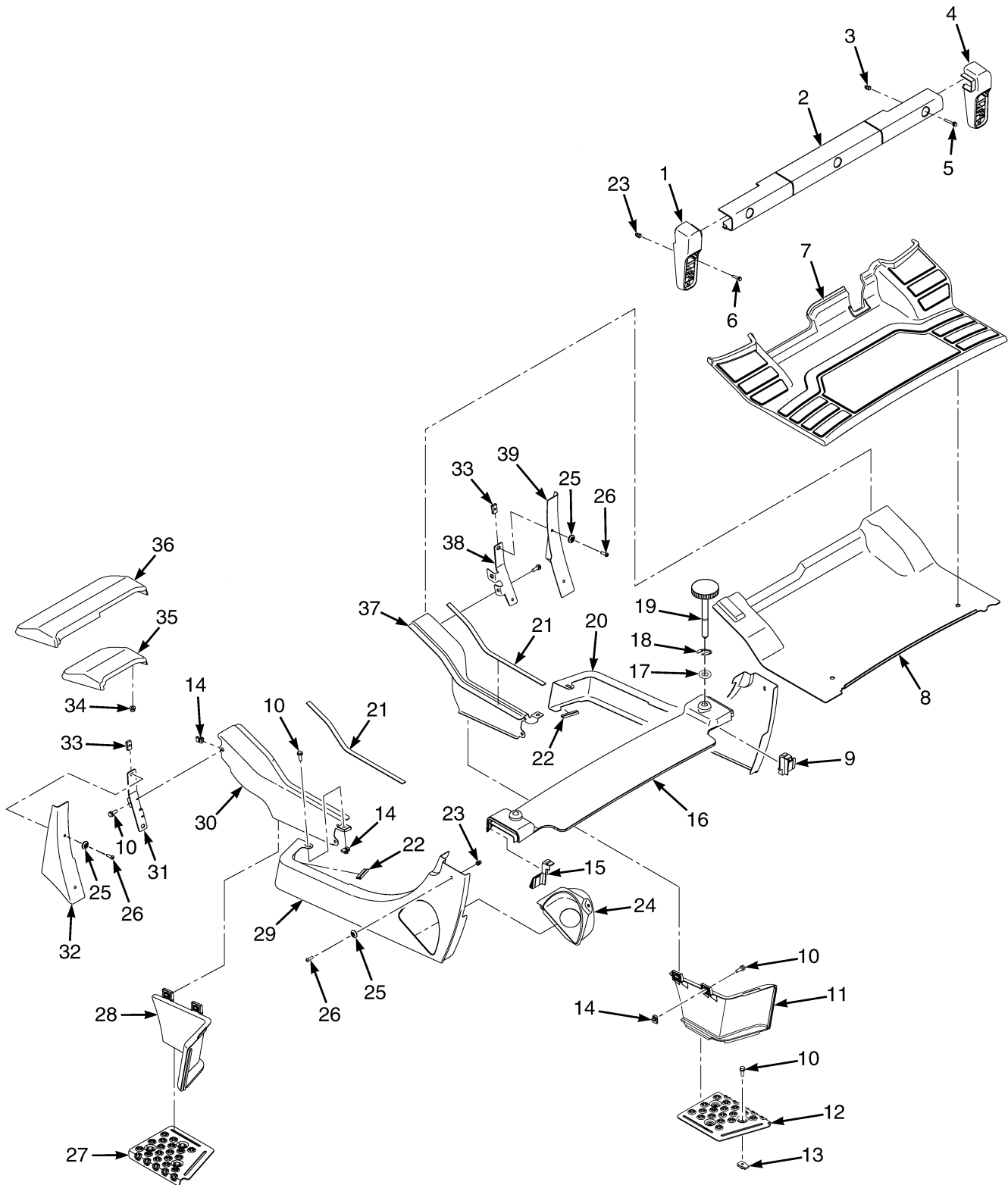


BP121312

**HEATER HOSE  
2.4L PSI ENGINE**

ITEM	PART NO.	DESCRIPTION	QTY
1	4626751	Tube .....	1
2	4626430	Hose .....	1
3	4626431	Hose .....	1
4	4625777	Hose .....	1
5	1588833	Bracket .....	1
6	1514429	Nut .....	4
7	1543842	Clamp .....	3
8	1569465	Clamp (Swivel) .....	1
9	130845	Clamp .....	8
10	1502061	Clamp .....	2
11	1480237	Nut .....	2
12	128408	Clamp .....	2
13	<del>4109993</del> 1527879	Capscrew .....	2
14	178119	Clamp .....	1
15	1530243	Insert .....	1
16	1510113	Capscrew .....	1
17	138710	Fitting .....	1
18	1502061	Clamp .....	1
19	<del>4083816</del> 4113363	Bracket Wldmt .....	1
20	4629926	Tube .....	1
21	4629929	Hose .....	1
22	166285	Clamp .....	1
23	1529366	Capscrew .....	1

## FLOORPLATES AND COVERS (FIGURE 1-40)



BP121327

**FLOORPLATES AND COVERS**

ITEM	PART NO.	DESCRIPTION	QTY
1	2107958	Tail Light Base (LH) .....	1
2	2069203	Cover (Rear) .....	1
3	1531001	Insert .....	3
4	2107957	Tail Light Base (RH) .....	1
5	1540643	Capscrew .....	3
6	1586495	Capscrew .....	4
7	2071262	Floormat .....	1
8	1573774	Floorplate .....	1
9	2071198	Seal (RH) .....	1
10	1583611	Capscrew .....	20
11	2102559	Step Panel (RH) .....	1
12	1544415	Plate (RH) .....	1
13	1393879	Nut .....	6
14	1480237	Nut .....	14
15	2071197	Seal (LH) .....	1
16	1547466	Cover .....	1
16	4017028	Cover (Low Noise) .....	1
16	1547467	Seal (LH) .....	1
16	1547468	Seal (RH) .....	1
16	4009545	Liner (Low Noise) .....	1
17	320157	Washer .....	2
18	353206	Retaining Ring .....	2
19	1588247	Screw .....	2
20	4027451	Panel (RH) .....	1
21	1564529	Seal .....	2
22	1582072	Trim Seal .....	2
23	1531558	Insert .....	6
24	<b>a</b> 1517656	Shield .....	1
25	1709980	Washer .....	6
26	1710006	Capscrew .....	6
27	1544413	Plate (LH) .....	1
28	2102558	Step Panel (LH) .....	1
29	<b>a</b> 4027456	Panel (Rear LH) .....	1
29	<b>b</b> 4027457	Panel (Rear LH) .....	1
30	1540860	Panel (LH) .....	1
31	1590145	Bracket (LH) (Fender Cover) .....	1
32	1563881	Cover (LH) (Fender) .....	1
33	1350215	Nut .....	4
34	1544153	Locknut (Standard Tread, Wide Tread) .....	4
34	1544153	Locknut (Dual Tread) .....	6
35	2069008	Mud Flap (Standard Tread) .....	2
36	2069544	Mud Flap (LH, Wide Tread) .....	1
36	2069545	Mud Flap (RH, Wide Tread) .....	1
36	2069550	Mud Flap (LH, Dual Tread) .....	1
36	2069954	Mud Flap (RH, Dual Tread) .....	1
37	1540870	Panel (RH) .....	1
38	1590147	Bracket (RH) (Fender Cover) .....	1
39	1563883	Cover (RH) (Fender) .....	1

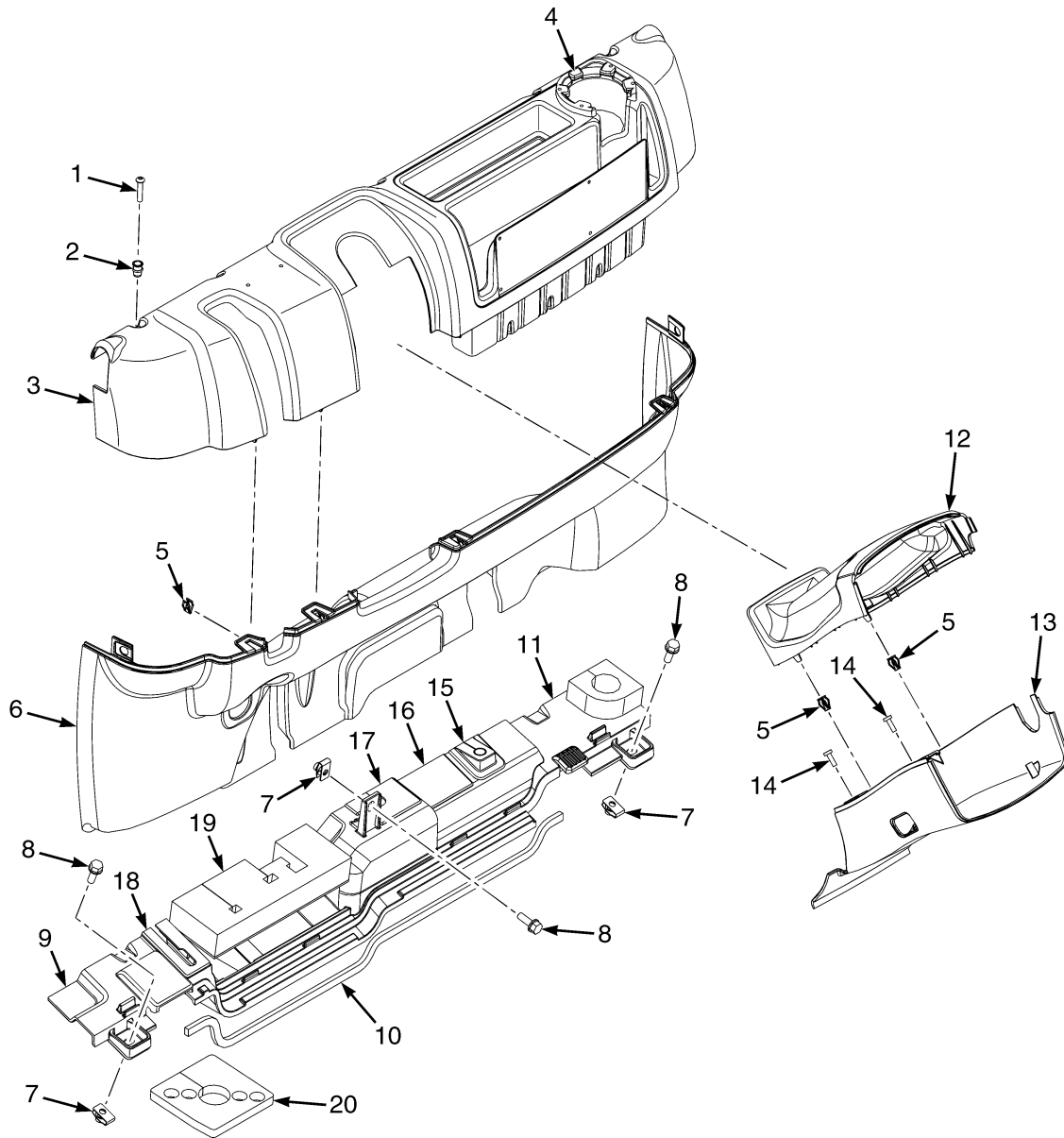
**FOOTNOTES:**

- a** Diesel Option
- b** LPG Option





## DASH PANEL AND STEERING COLUMN COVER (FIGURE 1-41)



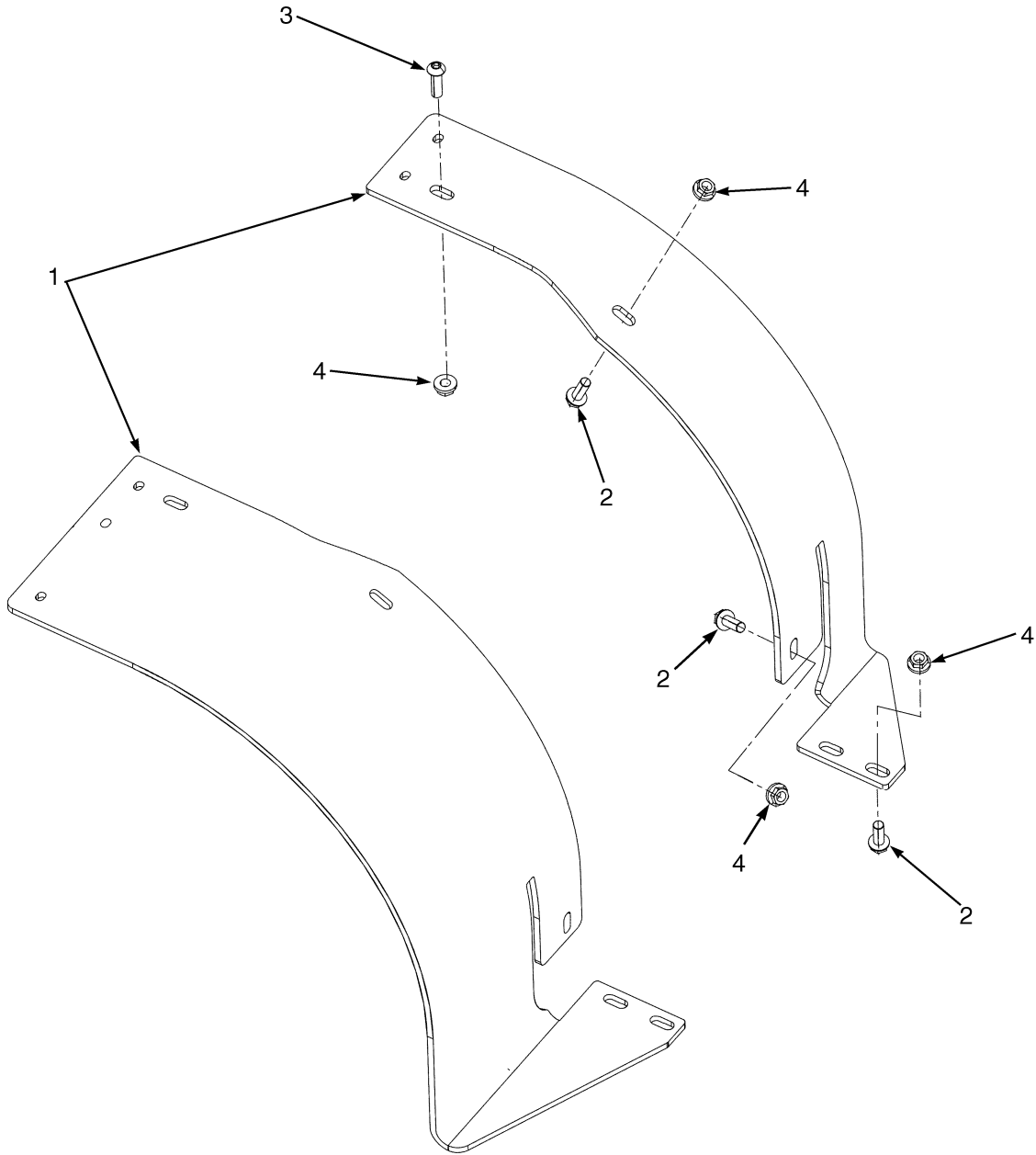
BP121326

**DASH PANEL AND STEERING COLUMN COVER****KEY:****A: With Cab****B: With Overhead Guard**

ITEM	PART NO.	DESCRIPTION	QTY	
			A	B
1	1710007	Capscrew .....	4	5
1	1307737	Fastener .....	1	..
2	1531001	Insert .....	5	5
3	1517420	Dash Panel (Manual Hydraulic) .....	1	1
3	1517421	Dash Panel (Electro-Hydraulic) .....	1	1
3	<b>a</b> 4080313	Dash Panel (Manual Hydraulic) .....	1	1
3	<b>a</b> 4080312	Dash Panel (Electro-Hydraulic) .....	1	1
4	2070975	Cup Holder .....	1	1
5	2065667	Clip .....	6	6
6	2071595	Panel (Single Brake Pedal) .....	1	1
6	2071596	Panel (Dual Brake Pedal) .....	1	1
7	1480237	Nut .....	3	3
8	1583611	Capscrew .....	3	3
9	1618992	Plate .....	1	1
10	1529427	Seal .....	1	1
11	1530135	Grommet .....	1	1
12	2098330	Cover (Steering Column Upper) .....	1	1
13	2065666	Cover (Steering Column Lower) .....	1	1
14	2027655	Screw .....	2	2
15	2069464	Seal .....	1	..
16	2065826	Seal .....	1	..
16	<b>b</b> 2096903	Seal .....	1	..
17	2065827	Seal .....	1	..
17	<b>b</b> 2096902	Seal .....	1	..
18	2065796	Seal .....	1	..
19	1705891	Liner (With Dry Brakes) .....	1	1
19	1705892	Liner (With Wet Brakes) .....	1	1
20	4014251	Seal (With Dry Brakes) .....	1	1
20	1579837	Seal (With Wet Brakes) .....	1	1

**FOOTNOTES:****a** With Dual Fuel**b** With Operator Presence Lockout

## FENDER EXTENSIONS (FIGURE 1-42)



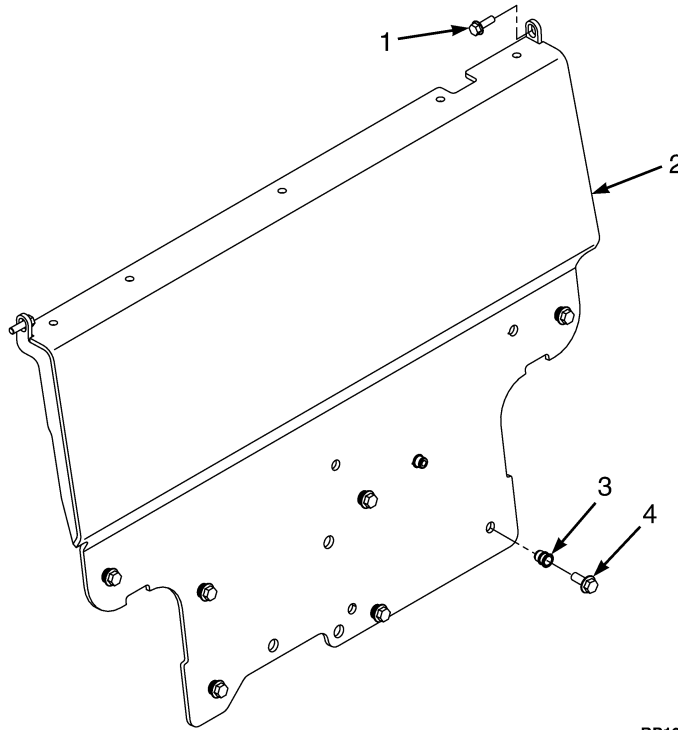
HP120835

**FENDER EXTENSIONS**

ITEM	PART NO.	DESCRIPTION	QTY
1	1562359	Fender (Wide) (LH) .....	1
1	1562361	Fender (Dual) (LH) .....	1
1	1562360	Fender (Wide) (RH) .....	1
1	1562362	Fender (Dual) (RH) .....	1
2	1586630	Capscrew .....	8
3	2076289	Capscrew .....	2
3	<b>ab</b> 1581079	Plug .....	2
4	1586432	Nut .....	10

**FOOTNOTES:****a** For Option Without Fender Extensions**b** Not Illustrated

## COWL MOUNT (FIGURE 1-43)

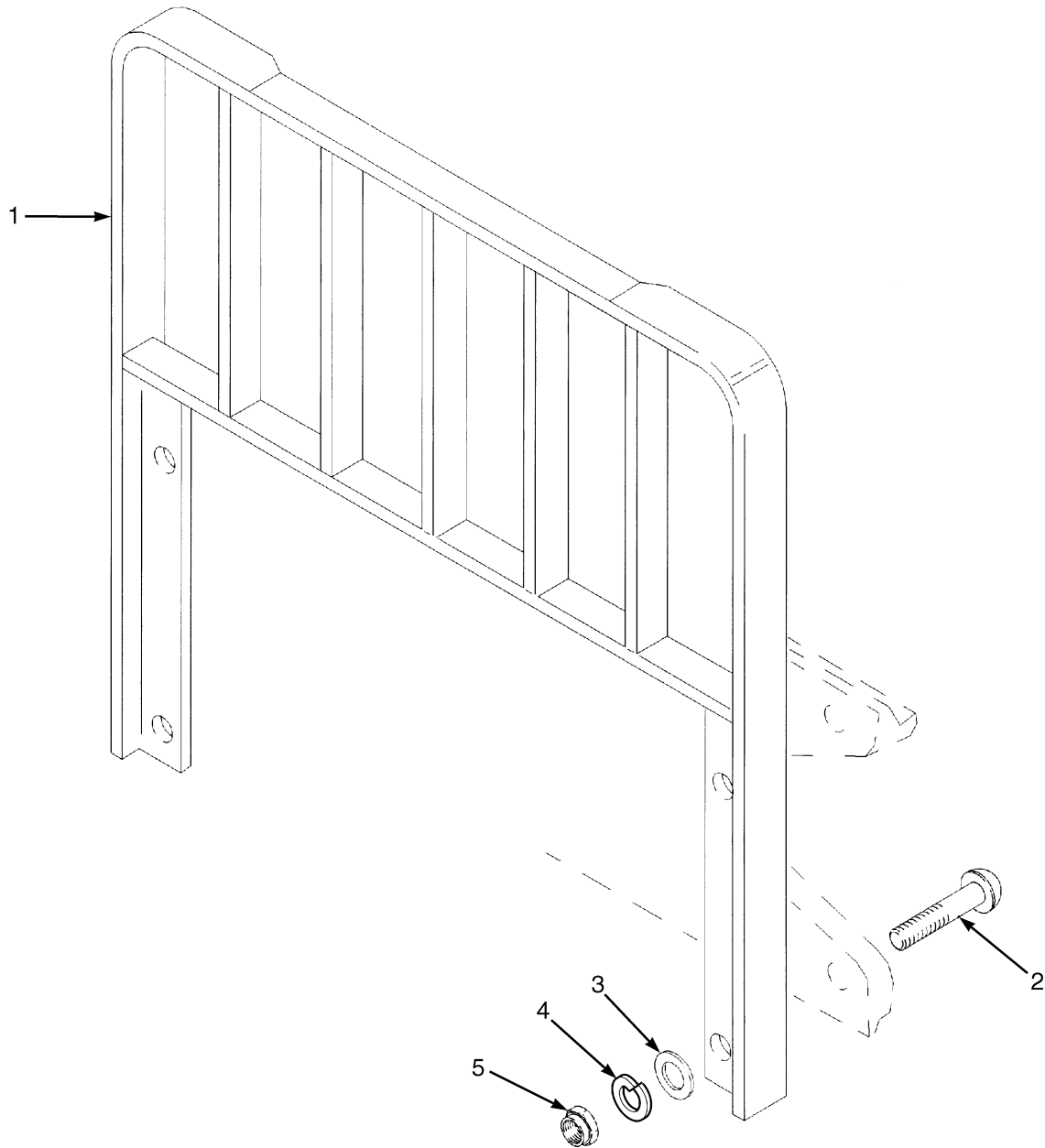


BP120684

ITEM	PART NO.	DESCRIPTION	QTY
1	1583611	Capscrew .....	2
1	1510113	Capscrew (Optional) .....	2
2	4014340	Cowl .....	1
3	1640776	Insert .....	7
3	1581567	Nut (Optional) .....	7
3	320160	Washer (Optional) .....	7
4	1586629	Capscrew .....	7



## LOAD BACKREST EXTENSION (FIGURE 1-44)



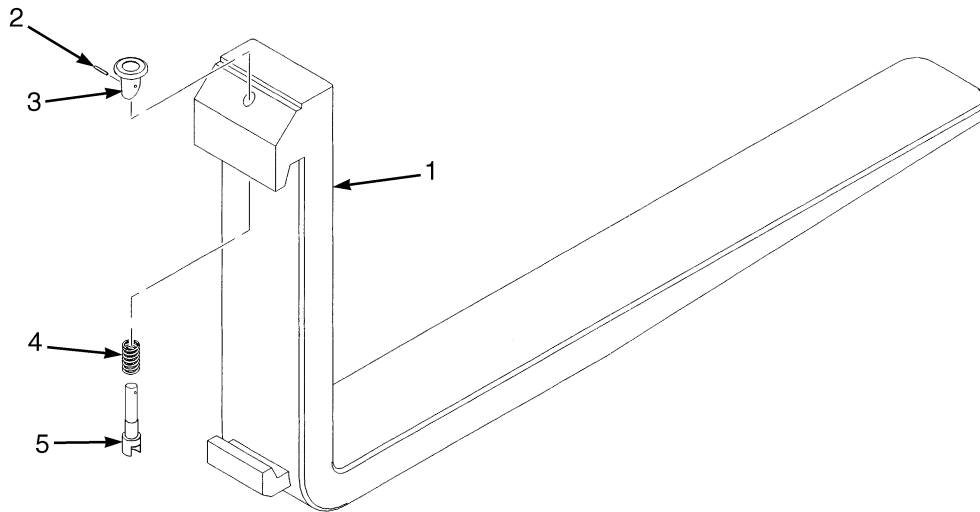
HP120836



**LOAD BACKREST EXTENSION****KEY:****A: For Use With Standard Carriage Only****B: For Use With Integral Side-Shift Carriage Only**

ITEM	PART NO.	DESCRIPTION	QTY	
			A	B
1	1663443	Load Backrest (Class II) (1067 mm) .....	1	1
1	1663450	Load Backrest (Class II) (1219 mm) .....	1	1
1	1663460	Load Backrest (Class III) (1067 mm) .....	1	1
1	1663467	Load Backrest (Class III) (1219 mm) .....	1	1
2	1343990	Capscrew .....	4	..
2	2034347	Capscrew .....	..	4
3	221771	Washer .....	4	4
4	296423	Washer (Optional) .....	4	4
5	300937	Nut .....	4	4

## FORKS (FIGURE 1-45)



BP000187

**KEY:**

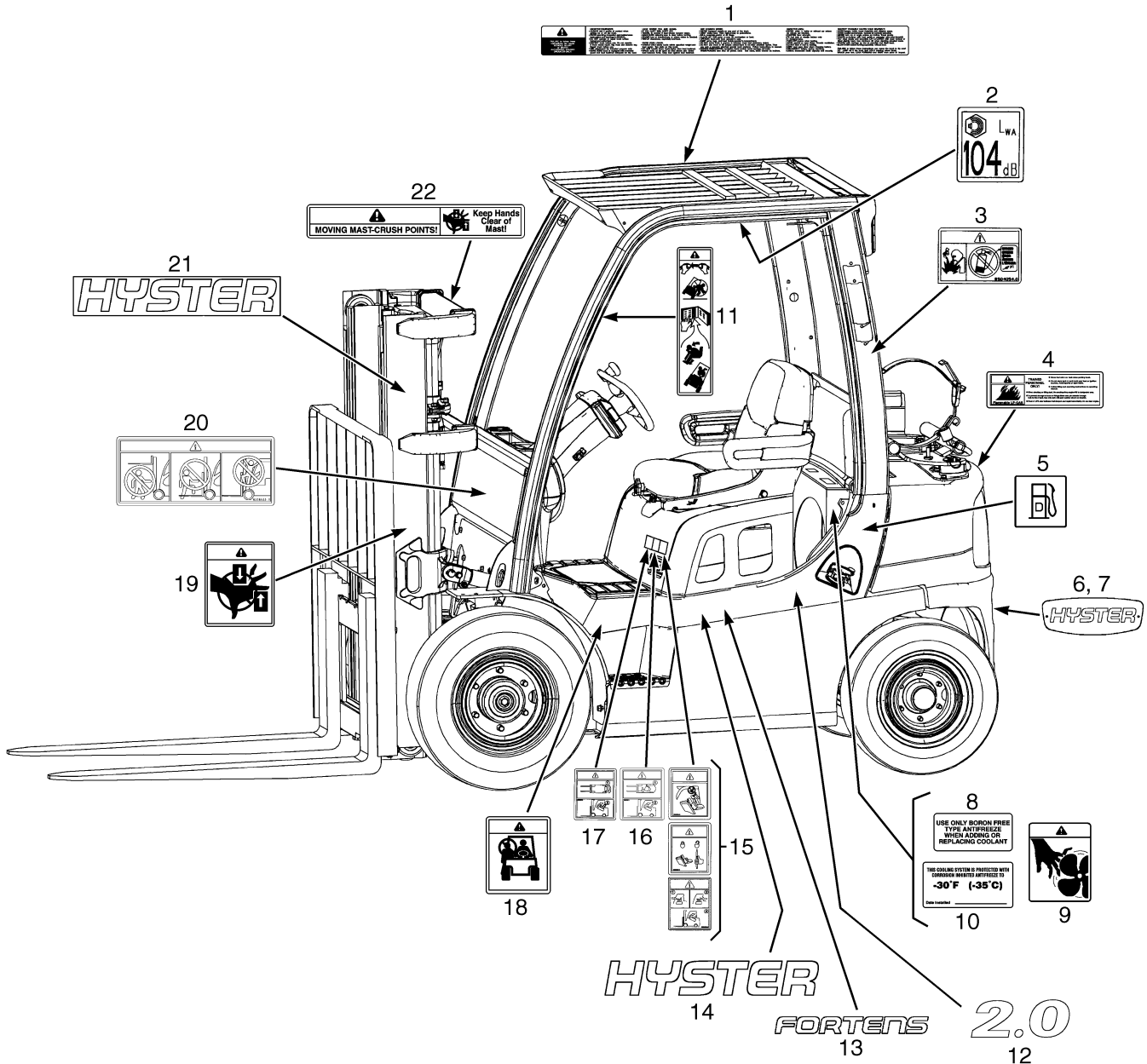
**A:** Class II (100 mm x 40 mm)

**B:** Class III (120 mm x 50 mm)

ITEM	PART NO.	DESCRIPTION	QTY	
			A	B
1	1333043	Fork (1000 mm) .....	2	..
1	1333044	Fork (1100 mm) .....	2	..
1	1333045	Fork (1200 mm) .....	2	..
1	1385801	Fork (1000 mm) .....	..	2
1	1385802	Fork (1100 mm) .....	..	2
1	1385803	Fork (1200 mm) .....	..	2
2	1523734	Pin .....	1	1
3	1523732	Knob .....	1	1
4	1500782	Spring .....	1	..
4	1500784	Spring .....	..	1
5	1523733	Pin .....	1	..
5	1523737	Pin .....	..	1
	4033434	Kit-Latch .....	1	..
	4033435	Kit-Latch (Class III) .....	..	1



## LABELS (FIGURE 1-46) EXTERIOR



HP120885

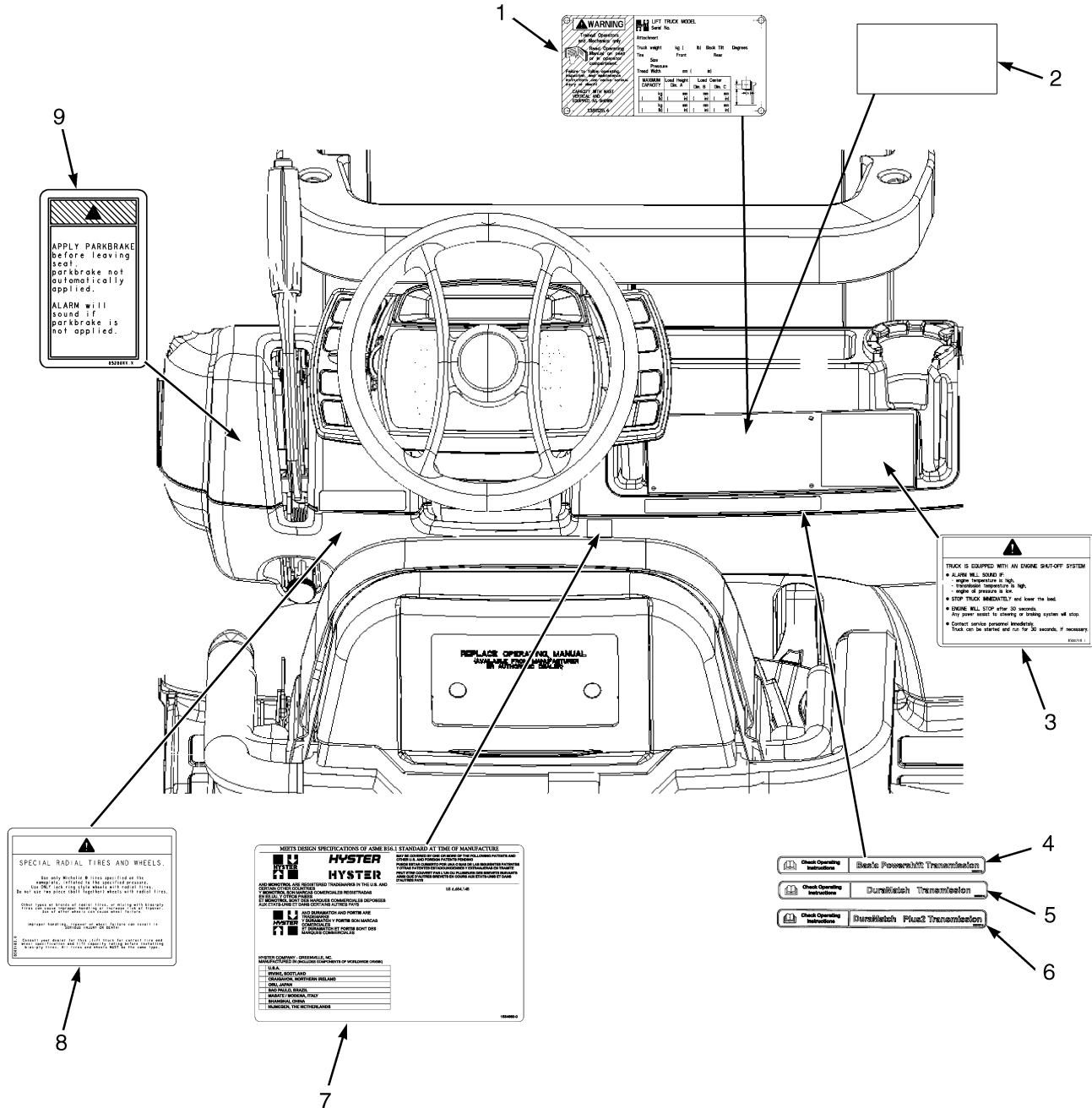
**LABELS  
EXTERIOR**

ITEM	PART NO.	DESCRIPTION	QTY
1	2073198	Label (Operator Warning) .....	1
2	<b>e</b> 1503876	Label (Low Noise) (102 dbA) .....	1
2	<b>c</b> 1503874	Label (Low Noise) (100 dbA) .....	1
2	1503879	Label (Low Noise) (105 dbA) .....	1
3	<b>a</b> 2034460	Label (Ether Warning) .....	1
4	1354172	Label (Flammable LPG) .....	1
5	2074256	Label (Fuel Fill) .....	1
6	1677428	Label (Hyster Logo) .....	1
7	1566951	Fastener .....	2
8	1375676	Label (Boron-Free Antifreeze) .....	1
9	1300094	Label (Fan Warning) .....	2
10	1354165	Label (Antifreeze) .....	2
11	1359588	Label (Operator Restraint) .....	2
12	1598305	Label (Model 2.0) .....	2
12	1598322	Label (Model 2.5) .....	2
12	1598324	Label (Model 3.0) .....	2
12	1598326	Label (Model 3.5) .....	2
13	1601748	Label (Fortens) .....	2
14	1586440	Label (Hyster) .....	2
15	2075417	Label (Locking Gas Spring) .....	1
15	2082680	Label (Electronic Arm Caution) .....	1
16	<b>d</b> 2075614	Label (Hood Opening Warning) .....	1
17	<b>b</b> 2076171	Label (Swivel Seat Caution) .....	1
18	1339828	Label (No Riders) .....	2
19	1339832	Label (Pinch Point) .....	2
20	2075655	Label (Mast Warning) .....	2
21	1562353	Label (Hyster) .....	2
22	1343276	Label (Mast Warning) .....	1

**FOOTNOTES:**

- |   |  |
|---|--|
| <b>a</b> Diesel Only                    | <b>d</b> LPG Only                        |
| <b>b</b> For Use With Swivel Seats Only | <b>e</b> Mazda (LPG) and Yanmar (Diesel) |
| <b>c</b> Kubota 2.5L LPG                |  |

## LABELS (FIGURE 1-47) INTERIOR



HP121462

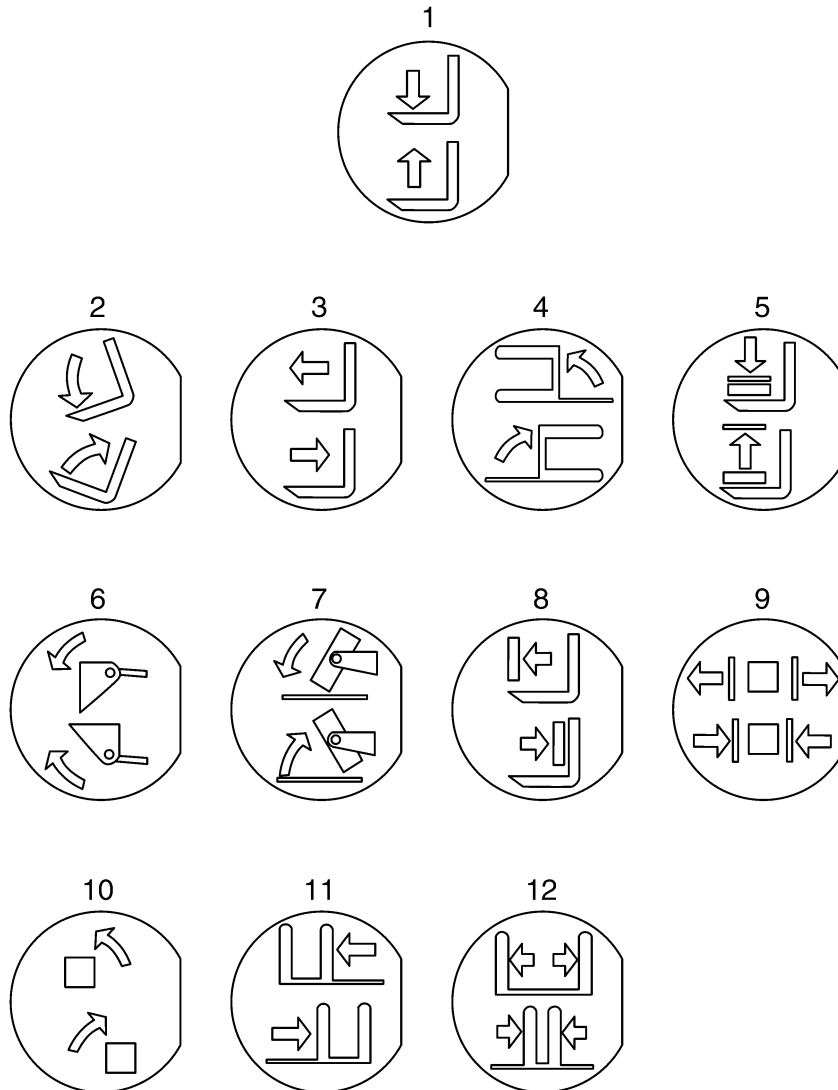
**LABELS  
INTERIOR**

ITEM	PART NO.	DESCRIPTION	QTY
1	<b>b</b> . . . . .	Nameplate .....	1
1	170658	Rivet .....	4
1	2307400	Rivet (Optional) .....	4
2	389688	Nameplate Cover .....	1
3	2038100	Label (Drive Train Protection) .....	1
4	<b>a</b> 1589377	Label (Basic Powershift Transmission) .....	1
5	<b>c</b> 1589397	Label (DuraMatch Transmission) .....	1
6	1589437	Label (DuraMatch Plus2 Transmission) .....	1
7	1534660	Label (Patents and Trademarks) .....	1
8	4612321	Label (Radial Tire Warning) .....	1
9	2074210	Label (Park Brake Warning) .....	1

**FOOTNOTES:**

- a** Basic Transmission
- b** Contact Your Local Hyster Dealer
- c** Electric Transmission

## LABELS (FIGURE 1-48) HYDRAULIC CONTROL LABELS — MANUAL HYDRAULIC



BP121111



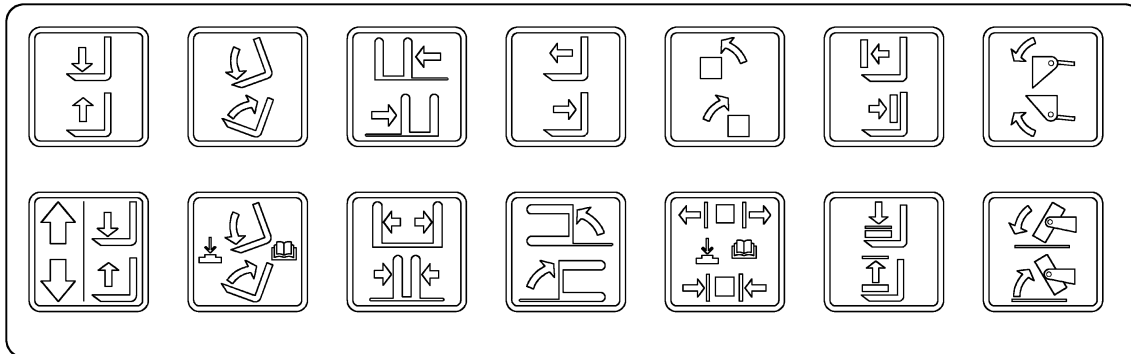
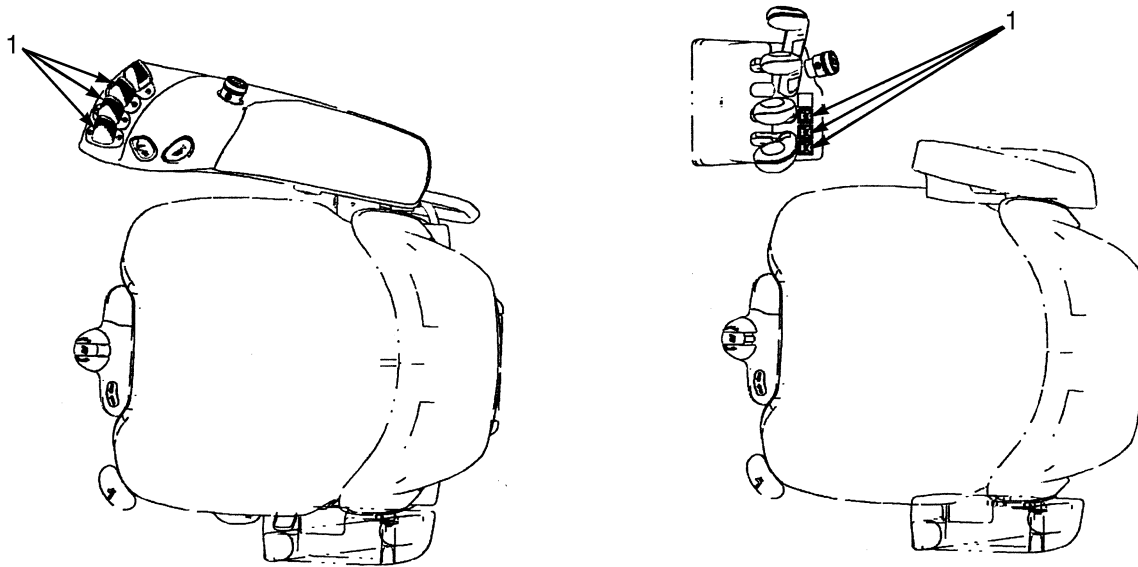
**LABELS**  
**HYDRAULIC CONTROL LABELS – MANUAL HYDRAULIC**

ITEM	PART NO.	DESCRIPTION	QTY
1	4034931	Lens with label (Hoist) .....	1
2	4034932	Lens with label (Tilt) .....	1
3	4034933	Lens with label (Reach) .....	1
4	4034934	Lens with label (Swing) .....	1
5	4034935	Lens with label (Load Stabilizer) .....	1
6	4034936	Lens with label (Scoop) .....	1
7	4034937	Lens with label (Upender) .....	1
8	4034938	Lens with label .....	1
9	4034939	Lens with label (Clamp) .....	1
10	4034940	Lens with label (Rotate) .....	1
11	4034941	Lens with label (Side-Shift) .....	1
12	4034942	Lens with label (Fork Spread) .....	1
	<b>a</b> 2070655	Lens (Blank) .....	1

**FOOTNOTES:**

**a** Not Illustrated

## MINI LEVER MODULE LABELS (FIGURE 1-49) HYDRAULIC CONTROL FUNCTIONS



BP120427

**MINI LEVER MODULE LABELS  
HYDRAULIC CONTROL FUNCTIONS**

<b>ITEM</b>	<b>PART NO.</b>	<b>DESCRIPTION</b>	<b>QTY</b>
1	2102640	Label .....	1



**2**

**ENGINE ASSEMBLY-KUBOTA**



## SECTION 2 ENGINE ASSEMBLY-KUBOTA

DESCRIPTION	PAGE
ALTERNATOR AND PULLEY ASSEMBLY	
KUBOTA 2.5L .....	2-40
CAMSHAFT ASSEMBLY	
KUBOTA 2.5L .....	2-48
COOLING SYSTEM	
KUBOTA 2.5L .....	2-8
COVER ASSEMBLY	
KUBOTA 2.5L .....	2-32
CRANKSHAFT AND PISTON ASSEMBLY	
KUBOTA 2.5L .....	2-28
CRANKSHAFT BEARING ASSEMBLY	
KUBOTA 2.5L .....	2-26
CYLINDER BLOCK ASSEMBLY	
KUBOTA 2.5L .....	2-14
CYLINDER HEAD ASSEMBLY	
KUBOTA 2.5L .....	2-18
CYLINDER HEAD COVER ASSEMBLY	
KUBOTA 2.5L .....	2-20
DIPSTICK TUBE ASSEMBLY	
KUBOTA 2.5L .....	2-23
ECU ASSEMBLY	
KUBOTA 2.5L .....	2-46
ENGINE MOUNT	
KUBOTA 2.5L LPG .....	2-10
EXHAUST MANIFOLD ASSEMBLY	
KUBOTA 2.5L .....	2-38
EXHAUST SYSTEM	
WITH CATALYTIC CONVERTER - KUBOTA 2.5L .....	2-4
WITHOUT CATALYTIC CONVERTER - KUBOTA 2.5L .....	2-6
FAN PULLEY ASSEMBLY	
KUBOTA 2.5L .....	2-45
FLANGE BREATHER ASSEMBLY	
KUBOTA 2.5L .....	2-30
FLYWHEEL HOUSING AND STARTER	
KUBOTA 2.5L LPG .....	2-12
GEAR CASE ASSEMBLY	
KUBOTA 2.5L - 280 MM FAN HEIGHT .....	2-52
IGNITION COIL ASSEMBLY	
KUBOTA 2.5L .....	2-31
INTAKE MANIFOLD ASSEMBLY	
KUBOTA 2.5L .....	2-36
OIL COOLER ASSEMBLY	
KUBOTA 2.5L - 280 MM FAN HEIGHT .....	2-39
OIL FILTER ASSEMBLY	
KUBOTA 2.5L .....	2-22
OIL PAN ASSEMBLY	
KUBOTA 2.5L .....	2-16
OIL PUMP ASSEMBLY	
KUBOTA 2.5L .....	2-24

---

**SECTION 2**  
**ENGINE ASSEMBLY-KUBOTA**

---

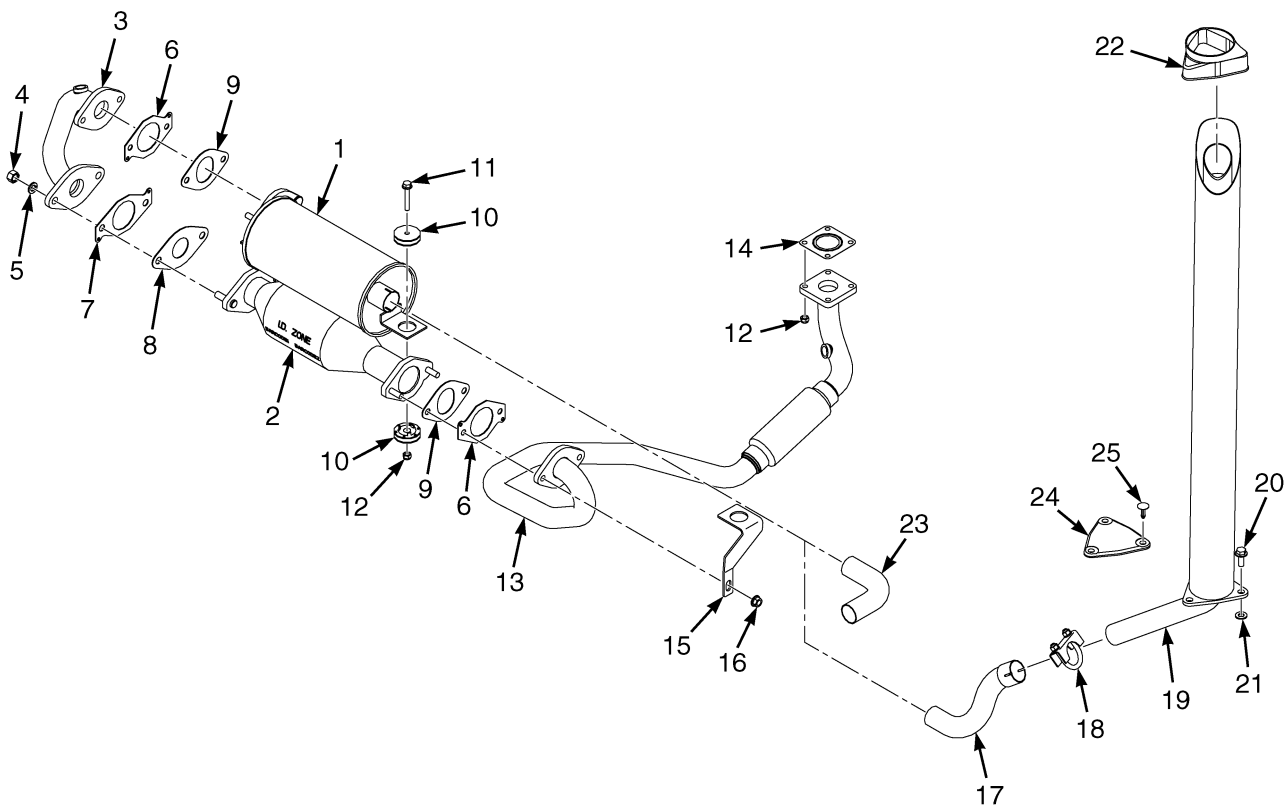
<b>DESCRIPTION</b>	<b>PAGE</b>
VALVE AND ROCKER ARM ASSEMBLY	
KUBOTA 2.5L .....	2-34
WATER FLANGE AND THERMOSTAT ASSEMBLY	
KUBOTA 2.5L .....	2-42
WATER PUMP ASSEMBLY	
KUBOTA 2.5L .....	2-44
WIRE HARNESS ASSEMBLY	
KUBOTA 2.5L .....	2-50

---





## EXHAUST SYSTEM (FIGURE 2-1) WITH CATALYTIC CONVERTER — KUBOTA 2.5L



BP110122

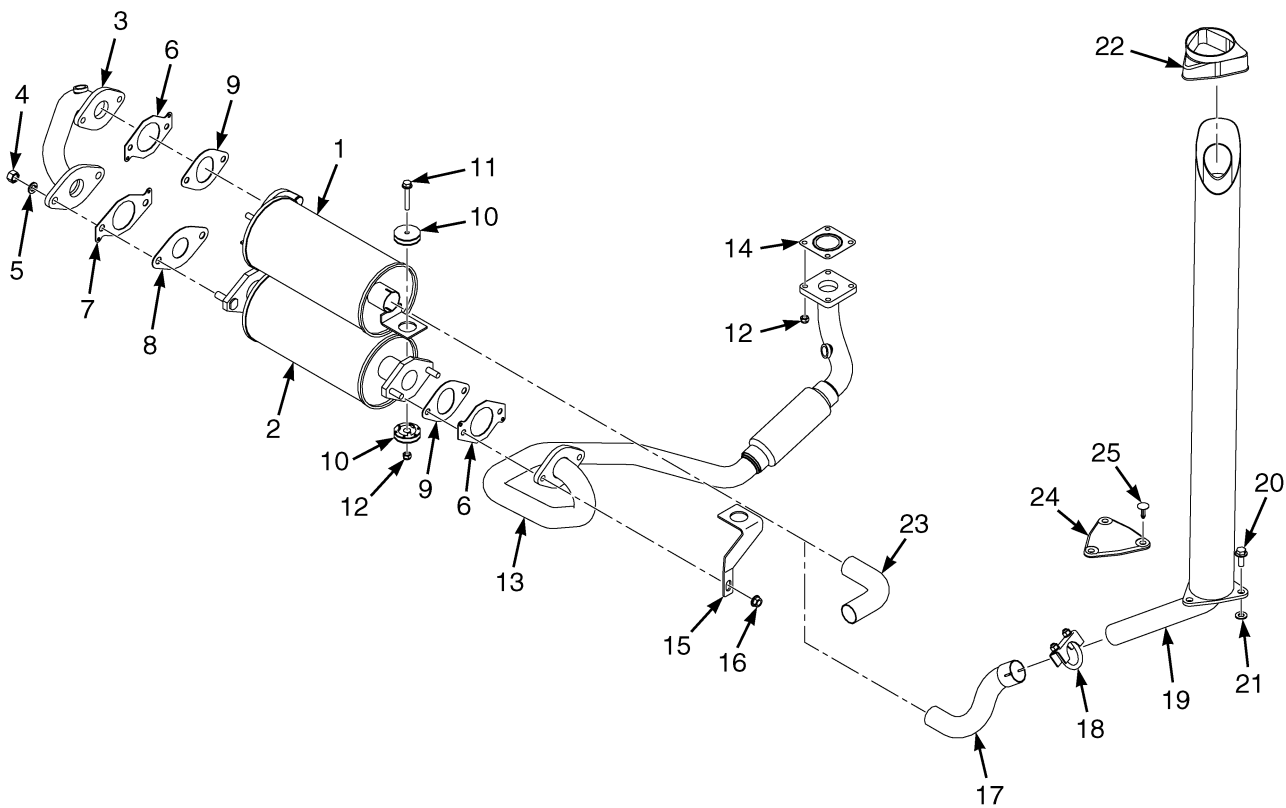
**EXHAUST SYSTEM  
WITH CATALYTIC CONVERTER – KUBOTA 2.5L**

ITEM	PART NO.	DESCRIPTION	QTY
1	2089895	Muffler (Crimped) .....	1
2	4634086	Catalytic Converter .....	1
3	1636410	Exhaust Pipe .....	1
4	1469405	Nut .....	2
5	292683	Lockwasher .....	2
6	4098977	Gasket .....	2
7	4098976	Gasket .....	1
8	1469379	Gasket .....	1
9	1547712	Gasket .....	2
10	1709996	Isolator .....	4
11	1510115	Capscrew .....	2
12	1582222	Locknut .....	6
13	4057302	Exhaust Pipe .....	1
14	4064158	Gasket .....	1
15	1532523	Bracket .....	1
16	1460477	Nut .....	4
17	1533863	Exhaust Pipe .....	1
18	63117	Clamp .....	1
19	4051418	Tail Pipe .....	1
20	1510117	Capscrew .....	3
21	320159	Washer .....	3
22	2021394	Cover .....	1
23	<b>a</b> 1589312	Exhaust Pipe .....	1
24	<b>a</b> 1533639	Cover .....	1
25	<b>a</b> 1347045	Fastener .....	3

**FOOTNOTES:**

- a** Used without Overhead Exhaust

## EXHAUST SYSTEM (FIGURE 2-2) WITHOUT CATALYTIC CONVERTER — KUBOTA 2.5L



BP110123

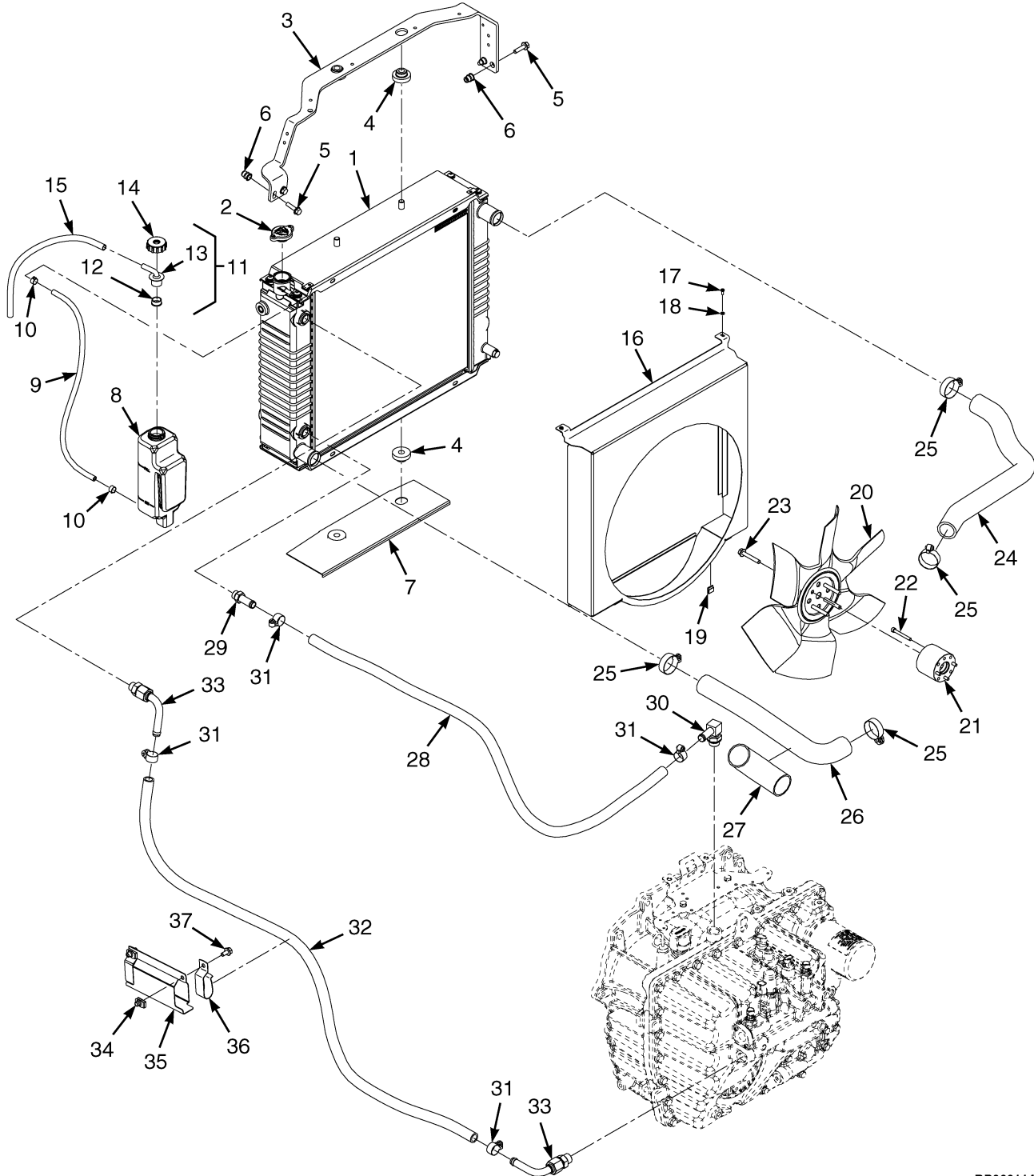
**EXHAUST SYSTEM**  
**WITHOUT CATALYTIC CONVERTER – KUBOTA 2.5L**

ITEM	PART NO.	DESCRIPTION	QTY
1	2089895	Muffler (Crimped) .....	1
2	2092338	Muffler .....	1
3	1636410	Exhaust Pipe .....	1
4	1469405	Nut .....	2
5	292683	Lockwasher .....	2
6	4098977	Gasket .....	2
7	4098976	Gasket .....	1
8	1469379	Gasket .....	1
9	1547712	Gasket .....	2
10	1709996	Isolator .....	4
11	1510115	Capscrew .....	2
12	1582222	Locknut .....	6
13	4057302	Exhaust Pipe .....	1
14	4064158	Gasket .....	1
15	1532523	Bracket .....	1
16	1460477	Nut .....	4
17	1533863	Exhaust Pipe .....	1
18	63117	Clamp .....	1
19	4051418	Tail Pipe .....	1
20	1510117	Capscrew .....	3
21	320159	Washer .....	3
22	2021394	Cover .....	1
23	<b>a</b> 1589312	Exhaust Pipe .....	1
24	<b>a</b> 1533639	Cover .....	1
25	<b>a</b> 1347045	Fastener .....	3

**FOOTNOTES:**

- a** Used without Overhead Exhaust

## COOLING SYSTEM (FIGURE 2-3) KUBOTA 2.5L

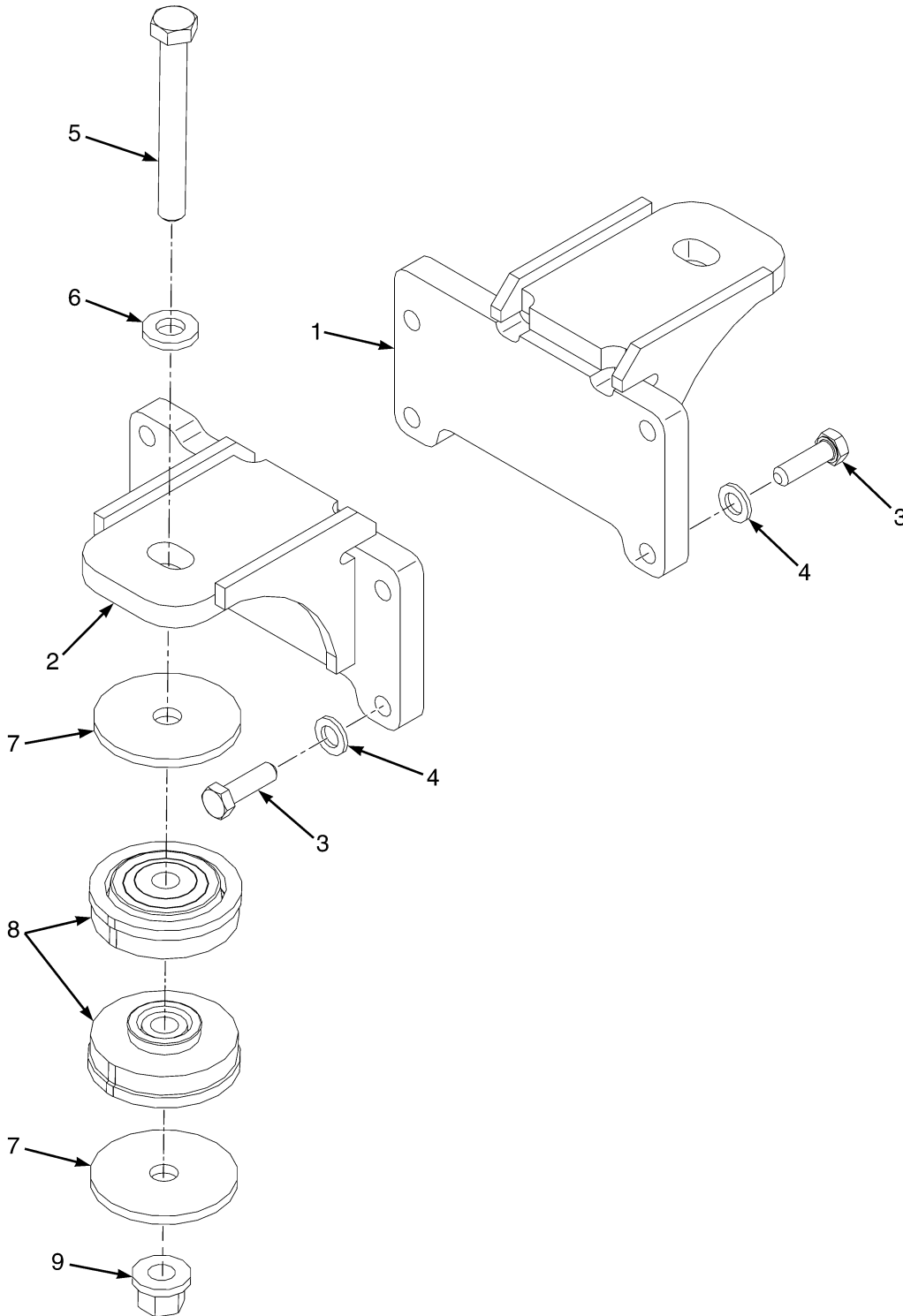


BP060114

**COOLING SYSTEM  
KUBOTA 2.5L**

ITEM	PART NO.	DESCRIPTION	QTY
1	4606206	Radiator Assembly .....	1
1	4038261	Radiator .....	1
1	4038264	Drain Valve .....	1
1	4038265	Nut , Foldover .....	2
1	4038266	Bolt .....	8
2	1352140	Radiator Cap .....	1
3	4085712	Bracket .....	1
4	1529787	Isolator .....	4
5	1527881	Capscrew .....	4
6	1530243	Insert .....	4
7	1565692	Exhaust Shield .....	1
8	1633307	Reservoir .....	1
9	1567674	Hose .....	1
10	369815	Clamp .....	2
11	345455	Outlet Assembly .....	1
12	336550	Bushing .....	1
13	345453	Outlet (Reservoir) .....	1
14	345454	Cap .....	1
15	1663877	Hose .....	1
16	4103431	Shroud .....	1
17	302020	Screw .....	2
18	320154	Washer .....	2
19	1329271	Clip .....	2
20	4618615	Fan .....	1
21	4057285	Adapter .....	1
22	296001	Capscrew .....	4
23	1510115	Capscrew .....	4
24	4622454	Radiator Hose .....	1
25	369804	Clamp .....	4
26	4625301	Radiator Hose .....	1
27	4633941	Wrap .....	1
28	2110024	Hose .....	1
29	1673198	Fitting .....	1
30	222512	Fitting .....	1
31	130845	Clamp .....	4
32	2109869	Hose .....	1
33	2109875	Tube Assy .....	2
34	1480237	Nut .....	2
35	4079256	Heat Shield .....	1
36	1562648	Clip .....	2
37	4109993		
	1527879	Capscrew .....	2

## ENGINE MOUNT (FIGURE 2-4) KUBOTA 2.5L LPG



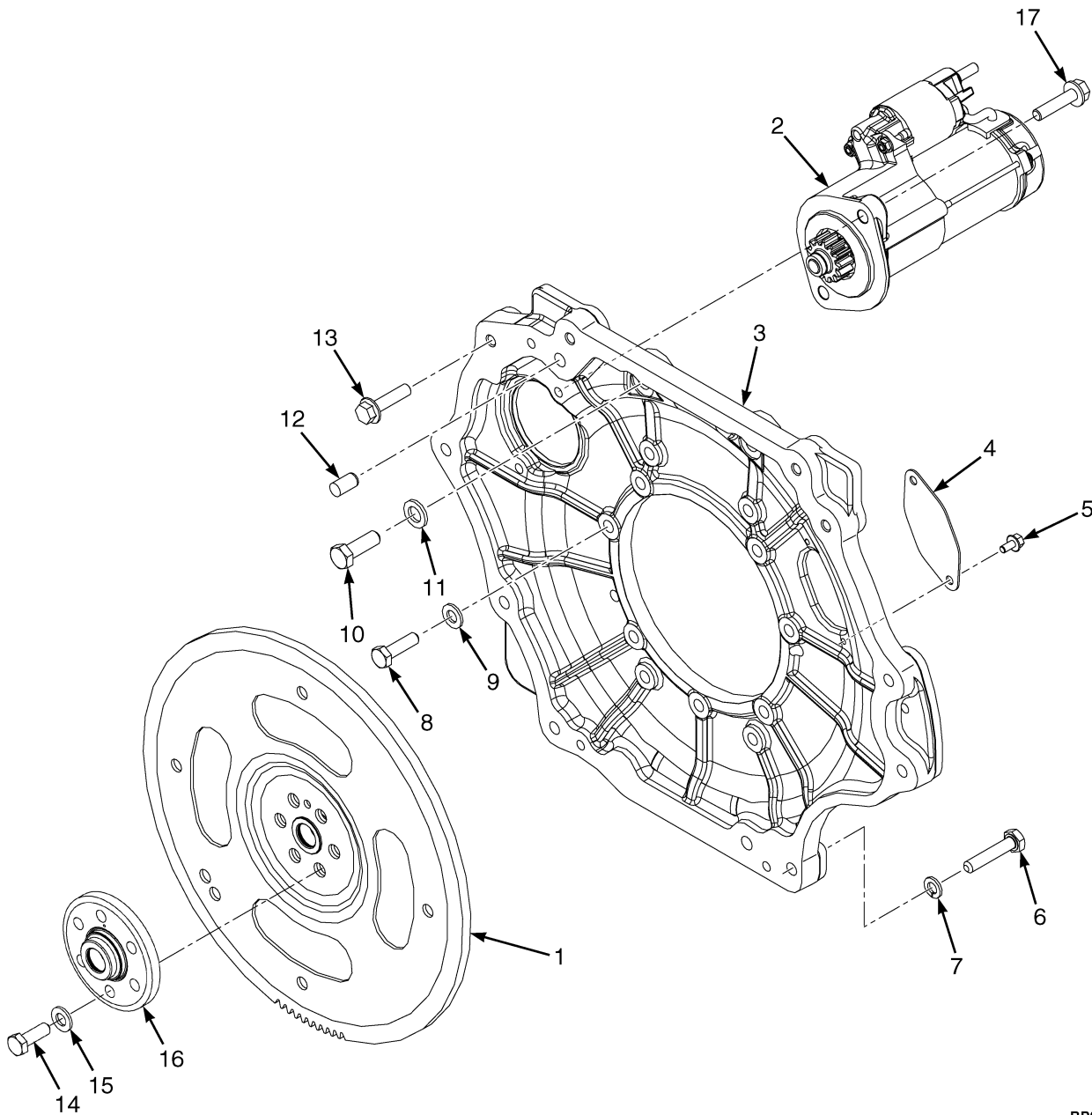
BP090653



**ENGINE MOUNT  
KUBOTA 2.5L LPG**

<b>ITEM</b>	<b>PART NO.</b>	<b>DESCRIPTION</b>	<b>QTY</b>
1	4065020	Motor Mount (RH) .....	1
2	4065021	Motor Mount (LH) .....	1
3	300794	Capscrew .....	8
4	296422	Washer .....	8
5	293698	Capscrew .....	2
6	1504075	Washer .....	2
7	1557737	Washer .....	4
8	2069951	Isolator .....	4
9	1565453	Nut (Flange) .....	2

## FLYWHEEL HOUSING AND STARTER (FIGURE 2-5) KUBOTA 2.5L LPG

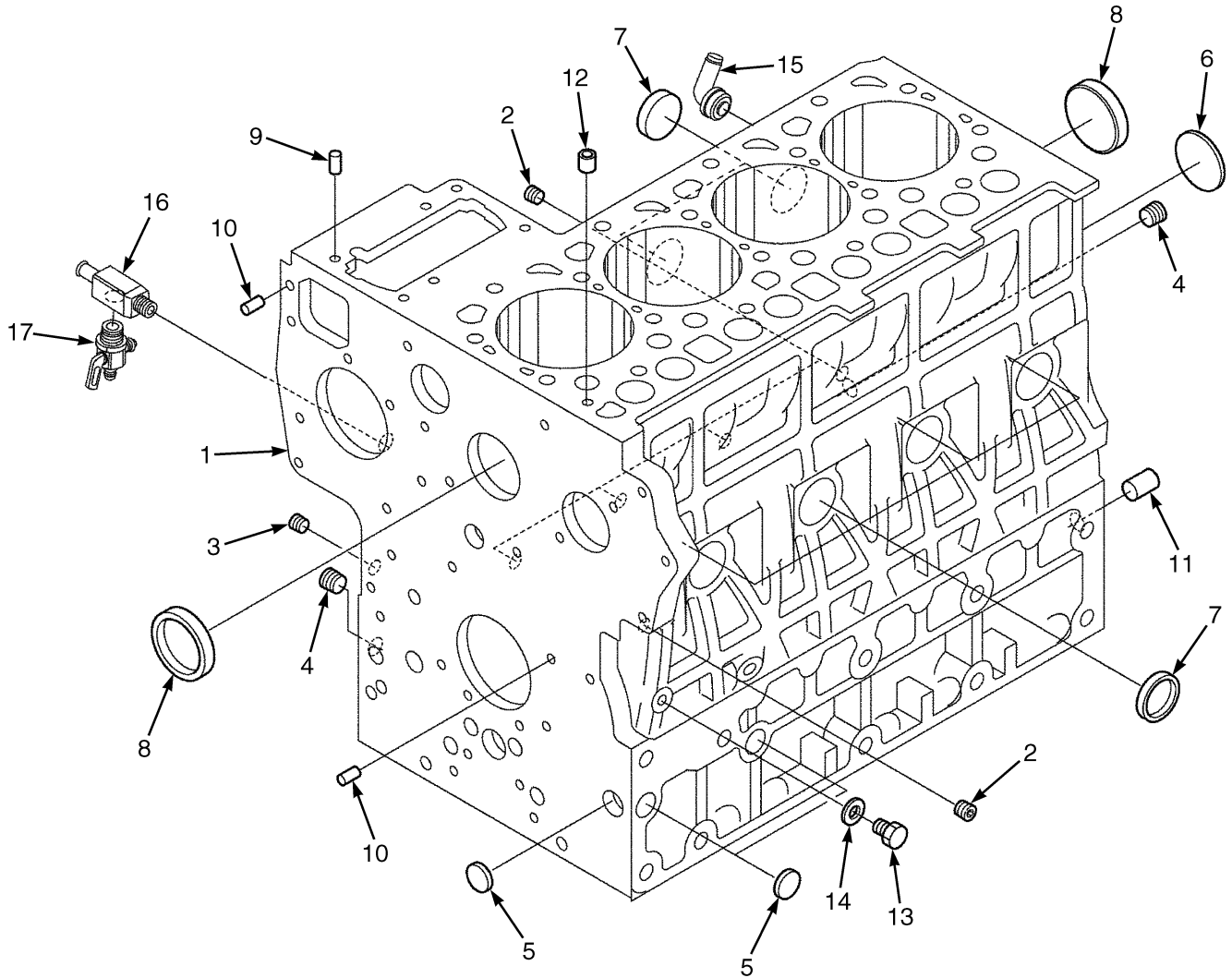


BP090688

**FLYWHEEL HOUSING AND STARTER  
KUBOTA 2.5L LPG**

ITEM	PART NO.	DESCRIPTION	QTY
1	4056821	Flywheel .....	1
2	4060226	Starter .....	1
3	4056820	Flywheel Housing .....	1
4	1625999	Dust Cover .....	1
5	1534417	Capscrew .....	2
6	292517	Capscrew .....	6
7	292682	Lockwasher .....	6
8	1329258	Capscrew .....	11
9	296420	Washer .....	11
10	399898	Capscrew .....	2
11	296422	Washer .....	2
12	303150	Dowel .....	2
13	1512403	Capscrew .....	4
14	4630631	Capscrew .....	6
15	296422	Washer .....	6
16	4056823	Adapter .....	1
17	1527884	Capscrew .....	2

## CYLINDER BLOCK ASSEMBLY (FIGURE 2-6) KUBOTA 2.5L

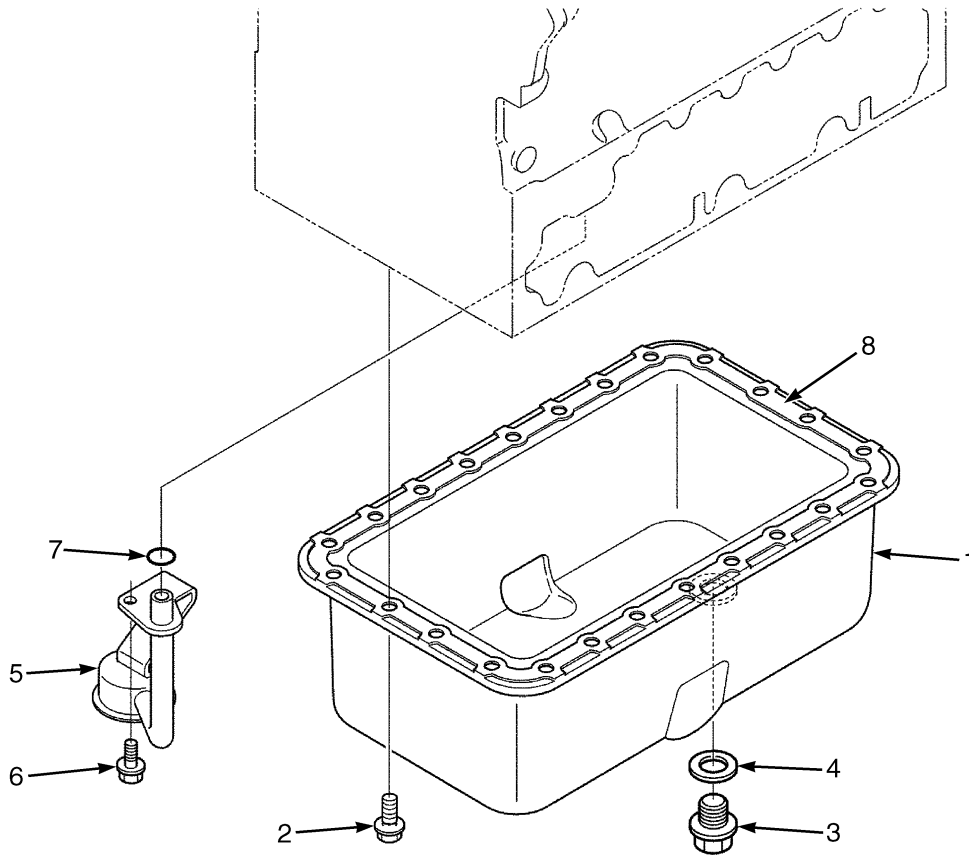


BP090657

**CYLINDER BLOCK ASSEMBLY  
KUBOTA 2.5L**

ITEM	PART NO.	DESCRIPTION	QTY
	4628651	Engine Assy .....	1
1	4096797	Engine Block .....	1
2	4041906	Plug .....	6
3	4096798	Plug .....	1
4	4096799	Plug .....	2
5	4096801	Plug .....	3
6	4096802	Plug .....	1
7	4041910	Cap (Sealing) .....	5
8	4041911	Cap (Sealing) .....	2
9	4042343	Pin .....	1
10	4096806	Pin .....	2
11	4096807	Pin .....	1
12	4041920	Pin .....	1
13	4096809	Plug .....	1
14	.....	Gasket .....	1
15	4041925	Pipe Joint .....	1
16	4096810	Drain Valve .....	1
17	4096811	Fitting .....	1

## OIL PAN ASSEMBLY (FIGURE 2-7) KUBOTA 2.5L

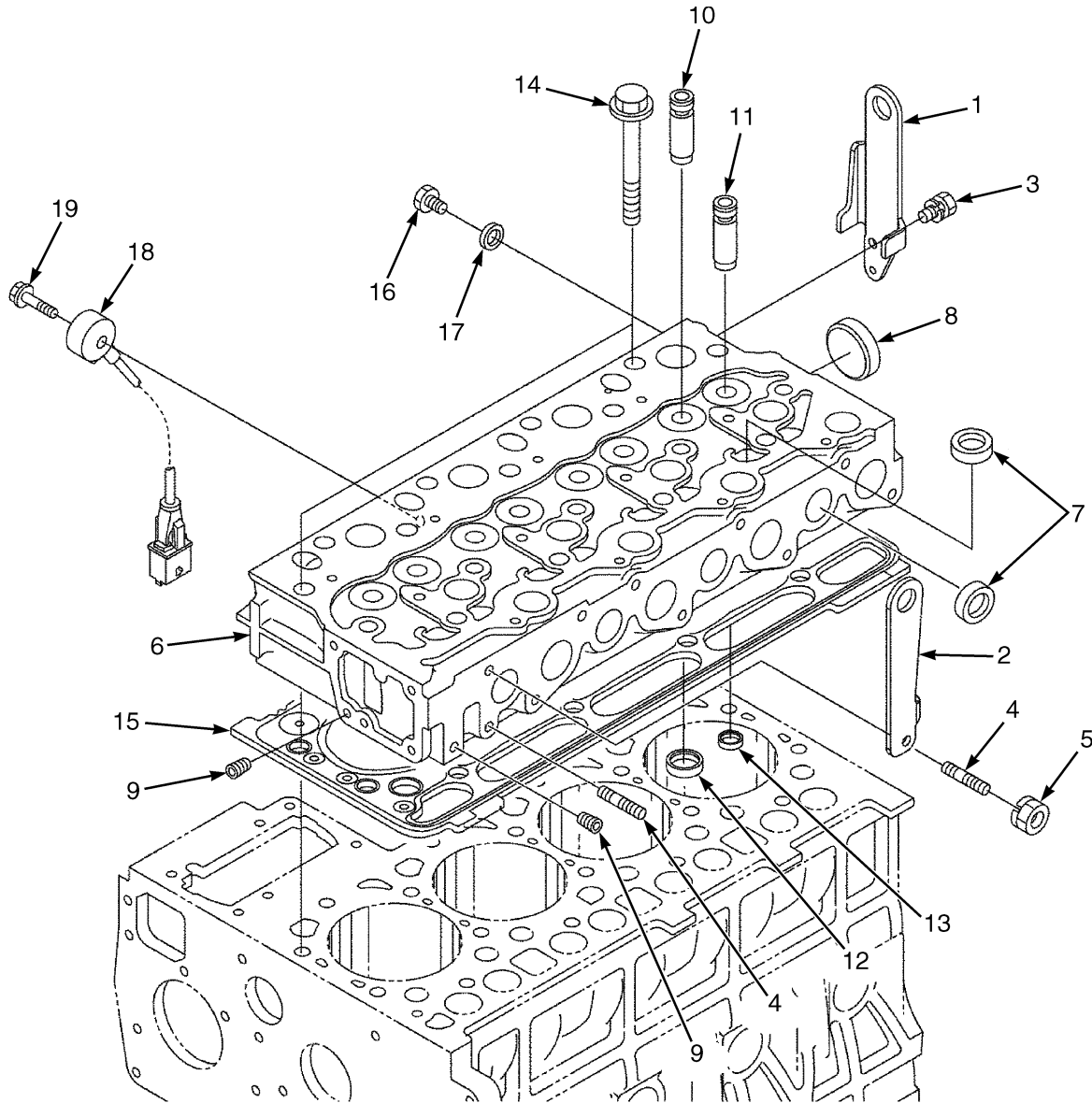


BP090658

ITEM	PART NO.	DESCRIPTION	QTY
	4628651	Engine Assy .....	1
1	4096803	Oil Pan .....	1
2	4096804	Bolt .....	24
3	4041938	Drain Plug .....	1
4	4051083	Gasket .....	1
5	4096805	Strainer .....	1
6	4042035	Bolt .....	1
7	4050915	O-Ring .....	1



## CYLINDER HEAD ASSEMBLY (FIGURE 2-8) KUBOTA 2.5L



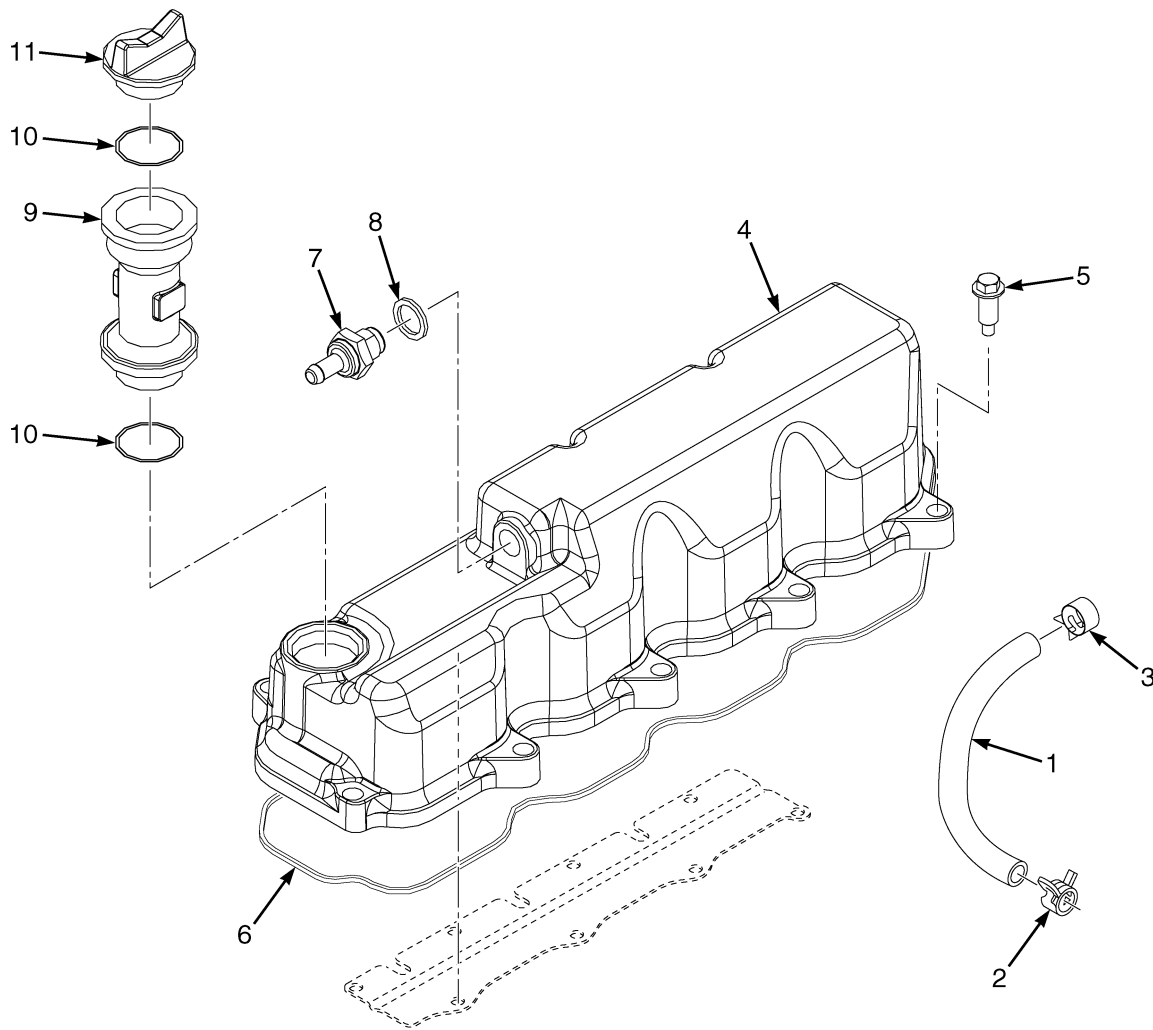
BP090659



**CYLINDER HEAD ASSEMBLY  
KUBOTA 2.5L**

ITEM	PART NO.	DESCRIPTION	QTY
	4628651	Engine Assy .....	1
1	4096808	Lifting Eye .....	1
2	4096812	Lifting Eye .....	1
3	4096813	Bolt .....	1
4	4042342	Stud .....	2
5	4096814	Nut .....	1
6	4096815	Cylinder Head .....	1
7	4041950	Cap .....	12
8	4041951	Cap .....	1
9	4096816	Plug .....	2
10	4096817	Guide .....	4
11	4096818	Guide .....	4
12	4096819	Valve Seat .....	4
13	4096820	Valve Seat .....	4
14	4096823	Plug .....	1
15	4096822	Cylinder Head Gasket .....	1
16	4096821	Bolt .....	10
17	4096824	Washer .....	1
18	4096825	Sensor .....	1
19	4096826	Bolt .....	1

## CYLINDER HEAD COVER ASSEMBLY (FIGURE 2-9) KUBOTA 2.5L

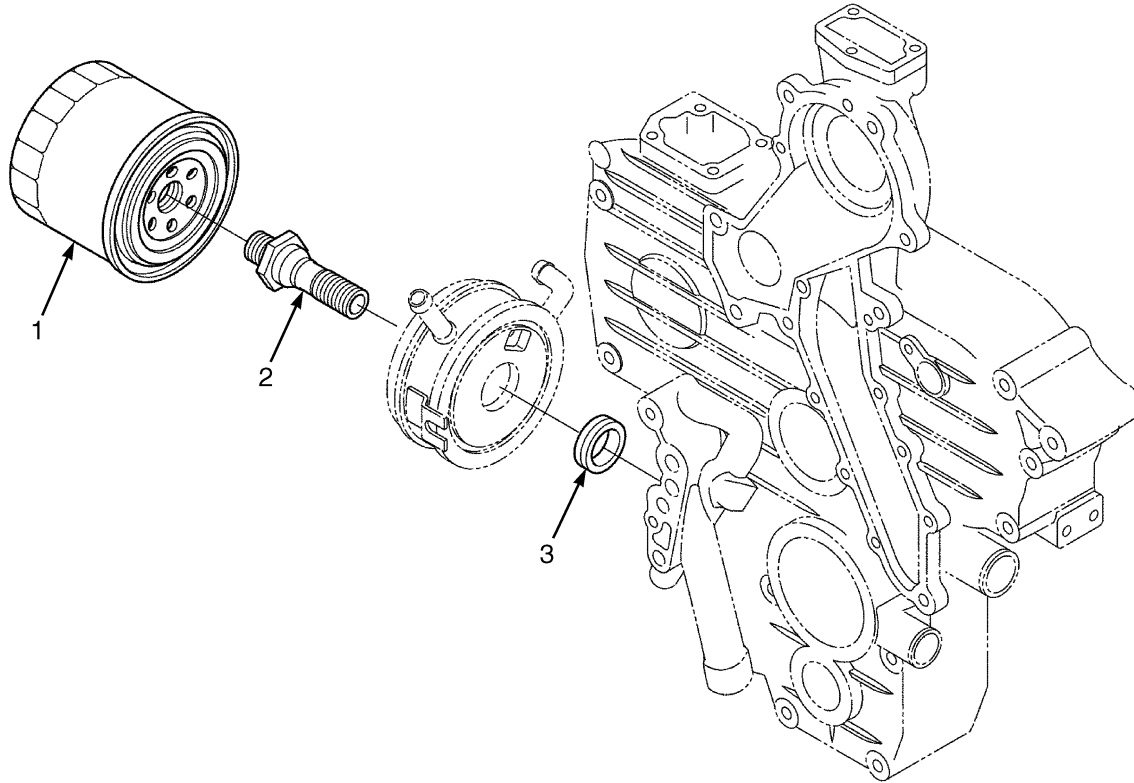


BP090660

**CYLINDER HEAD COVER ASSEMBLY  
KUBOTA 2.5L**

ITEM	PART NO.	DESCRIPTION	QTY
	4628651	Engine Assy .....	1
1	4096842	Tube .....	1
2	4096843	Hose Clamp .....	1
3	4096844	Hose Clamp .....	1
4	4096845	Engine Cover .....	1
5	4096872	Bolt .....	10
6	4096871	Gasket .....	1
7	4096870	Pcv Valve .....	1
8	4042050	Packing (O-Ring) .....	1
9	4096873	Flange .....	1
10	4042131	O-Ring .....	2
11	4042130	Plug .....	1

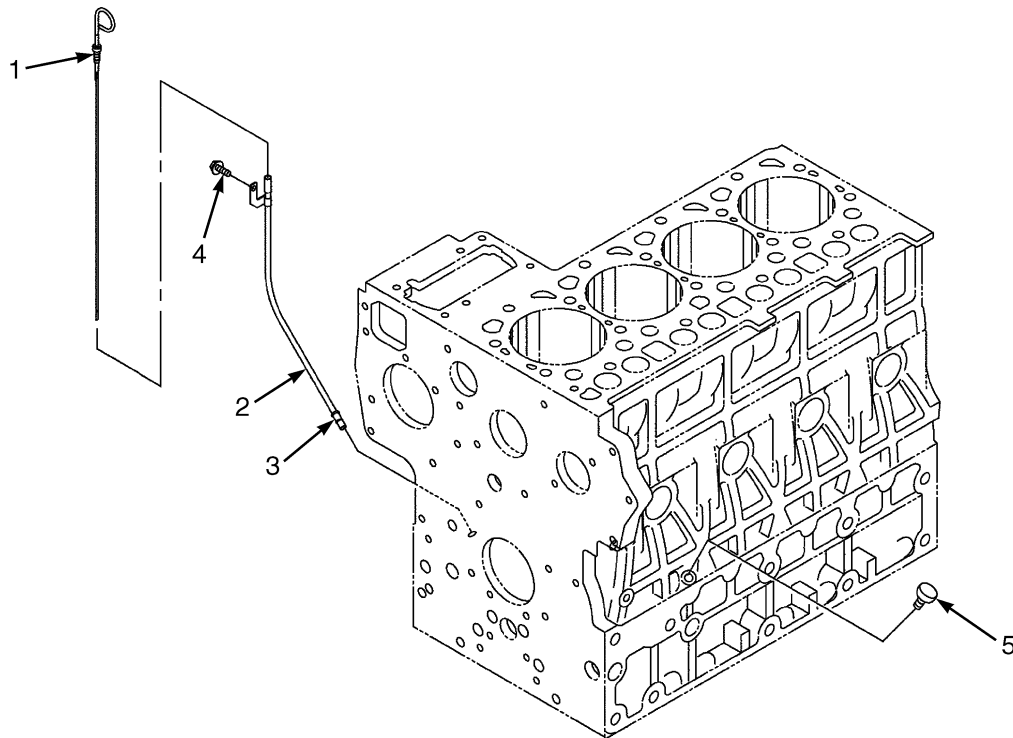
## OIL FILTER ASSEMBLY (FIGURE 2-10) KUBOTA 2.5L



BP090661

ITEM	PART NO.	DESCRIPTION	QTY
	4628651	Engine Assy .....	1
1	4096874	Oil Filter .....	1
2	4096875	Connector .....	1
3	4096876	Collar .....	1

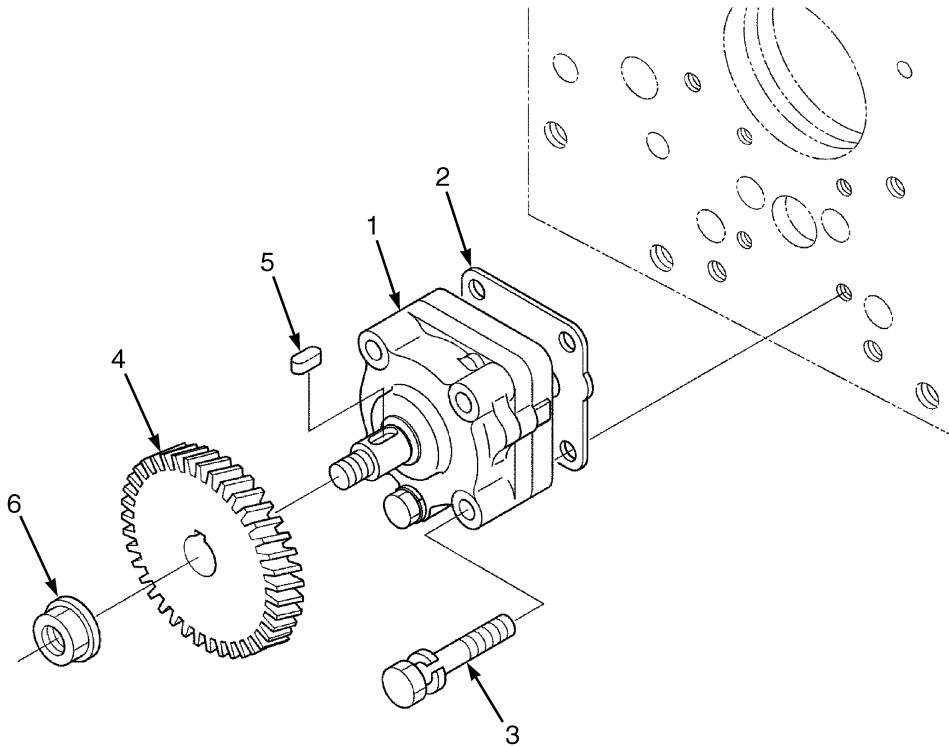
**DIPSTICK TUBE ASSEMBLY (FIGURE 2-11)  
KUBOTA 2.5L**



BP090662

ITEM	PART NO.	DESCRIPTION	QTY
	4628651	Engine Assy .....	1
1	4096877	Dipstick .....	1
2	4096878	Dipstick Tube .....	1
3	4042233	O-Ring .....	1
4	4042059	Bolt .....	1
5	4042234	Plug .....	1

## OIL PUMP ASSEMBLY (FIGURE 2-12) KUBOTA 2.5L

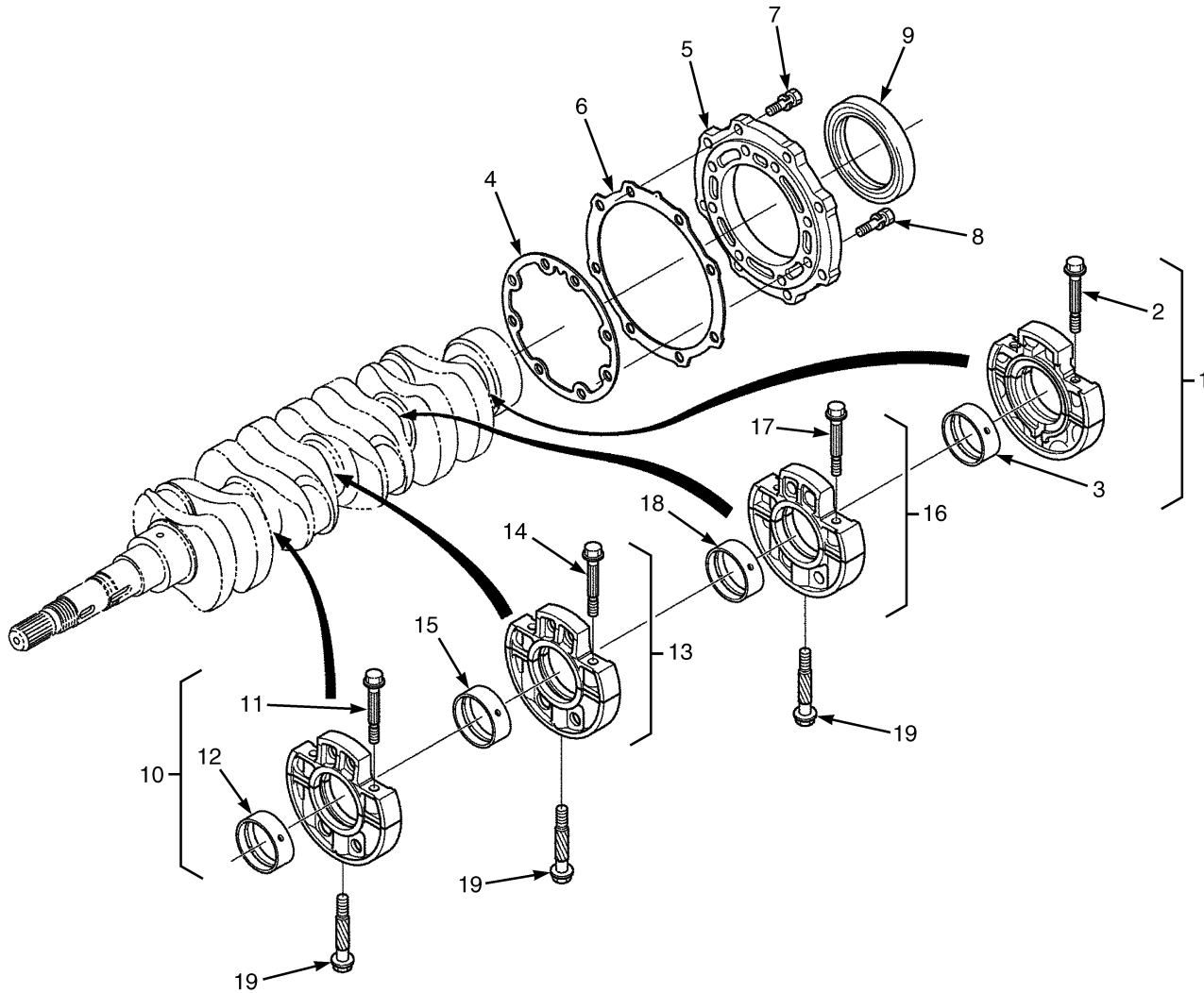


BP090663

ITEM	PART NO.	DESCRIPTION	QTY
	4628651	Engine Assy .....	1
1	4096879	Oil Pump .....	1
2	4096880	Gasket .....	1
3	4096881	Bolt .....	4
4	4096882	Gear .....	1
5	4096883	Key .....	1
6	4096884	Nut .....	1



## CRANKSHAFT BEARING ASSEMBLY (FIGURE 2-13) KUBOTA 2.5L



BP090664

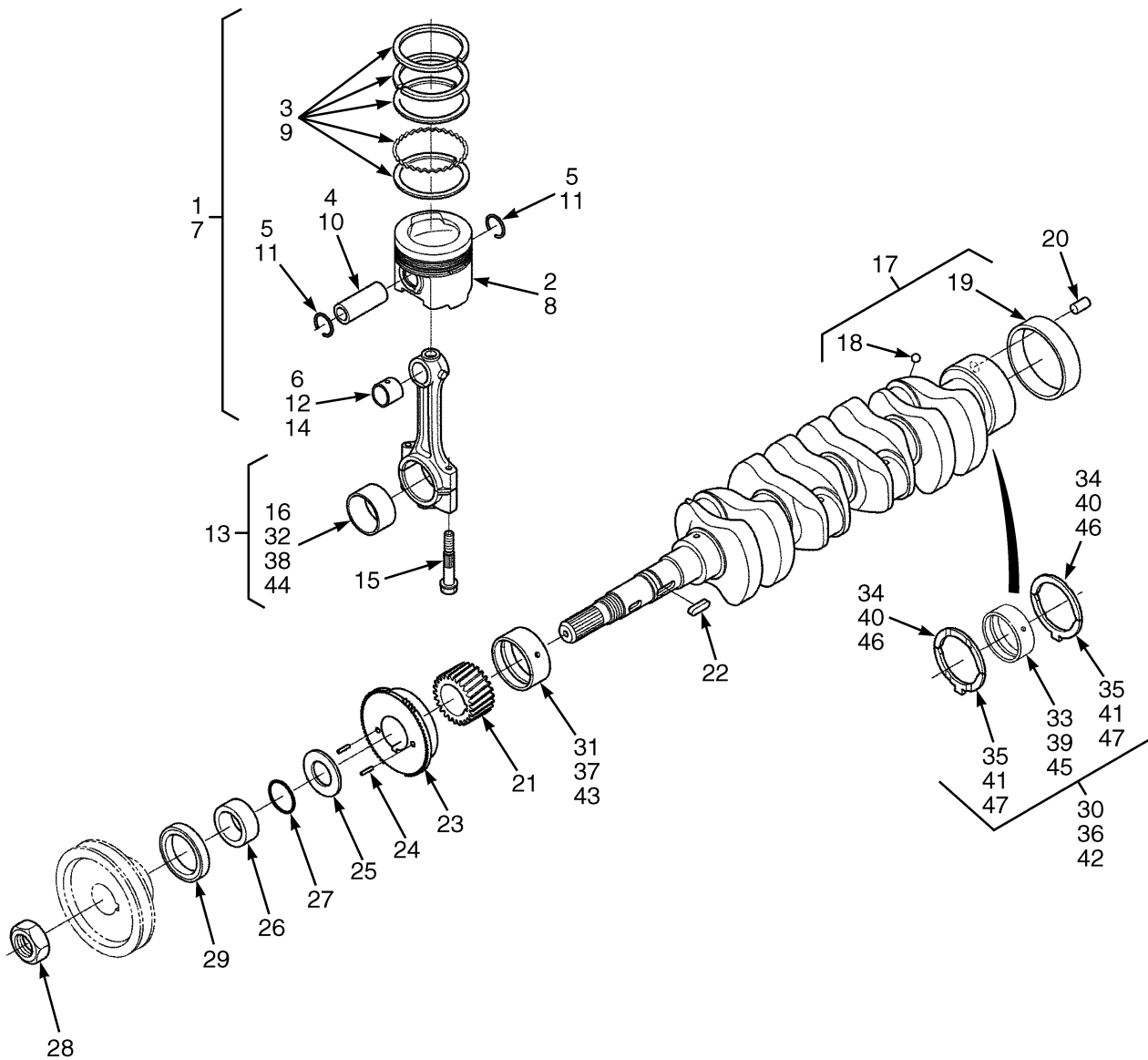


**CRANKSHAFT BEARING ASSEMBLY  
KUBOTA 2.5L**

ITEM	PART NO.	DESCRIPTION	QTY
	4628651	Engine Assy .....	1
1	4096885	Case (#4 Bearing Case Assembly) .....	1
2	4096886	Bolt .....	2
3	4096887	Crankshaft Bearing .....	2
4	4096888	Gasket .....	1
5	4096889	Cover .....	1
6	4096890	Gasket .....	1
7	4096891	Bolt .....	8
8	4096892	Bolt .....	8
9	4096893	Oil Seal .....	1
10	4096894	Case (#1 Bearing Case Assembly) .....	1
11	4096886	Bolt .....	2
12	4096887	Crankshaft Bearing .....	2
13	4096895	Case (#2 Bearing Case Assembly) .....	1
14	4096886	Bolt .....	2
15	4096887	Crankshaft Bearing .....	2
16	4096896	Case (#3 Bearing Case Assembly) .....	1
17	4096886	Bolt .....	2
18	4096887	Crankshaft Bearing .....	2
19	4096897	Bolt .....	3
	<b>a</b> 4096898	Crankshaft Bearing (.20mm) .....	8
	<b>a</b> 4096899	Crankshaft Bearing (.40mm) .....	8

**FOOTNOTES:****a** Not Illustrated

## CRANKSHAFT AND PISTON ASSEMBLY (FIGURE 2-14) KUBOTA 2.5L

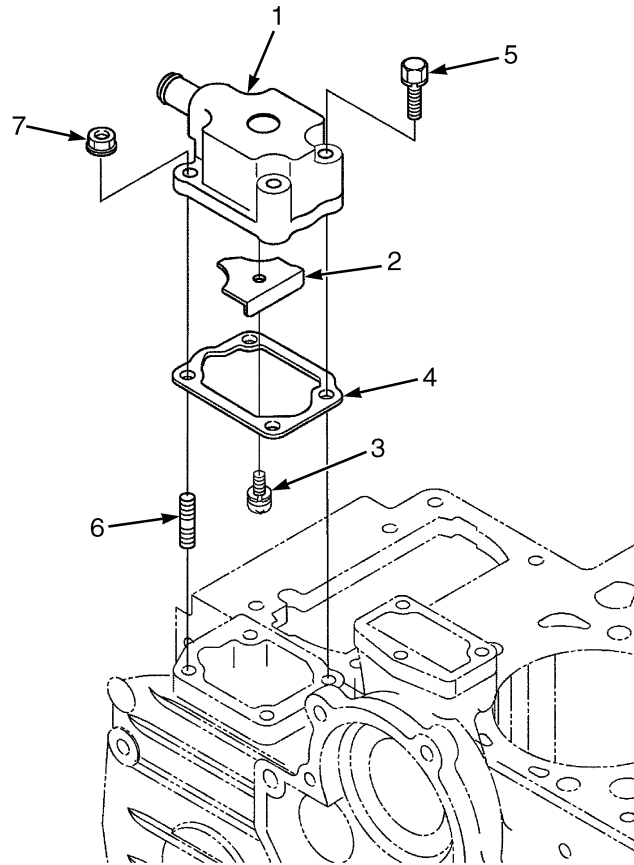


BP090665

**CRANKSHAFT AND PISTON ASSEMBLY  
KUBOTA 2.5L**

ITEM	PART NO.	DESCRIPTION	QTY
	4628651	Engine Assy .....	1
1	4097200	Kit-Piston (Standard) .....	4
2	4096909	Piston .....	1
3	4096911	Kit-Piston Ring .....	1
4	4096913	Pin .....	1
5	4096914	Retaining Ring .....	2
6	4096916	Bushing .....	1
7	4097201	Kit-Piston (+.25mm) .....	4
8	4096910	Piston .....	1
9	4096912	Kit-Piston Ring .....	1
10	4096913	Pin .....	1
11	4096914	Retaining Ring .....	2
12	4096916	Bushing .....	1
13	4096915	Kit-Piston Rod .....	4
14	4096916	Bushing .....	1
15	4097172	Bolt .....	2
16	4097173	Piston Rod Bearing .....	2
17	4097176	Crankshaft .....	1
18	61141	Ball .....	4
19	4097178	Bushing .....	1
20	4097177	Pin .....	1
21	4097179	Gear .....	1
22	4097180	Key .....	1
23	4097181	Gear .....	1
24	4097182	Pin .....	2
25	4097183	Slinger .....	1
26	4097184	Collar .....	1
27	4097185	O-Ring .....	1
28	4097186	Nut .....	1
29	4097196	Oil Seal .....	1
30	4097197	Kit-Crankshaft Bearing (Standard) .....	1
31	4097187	Crankshaft Bearing .....	1
32	4097173	Piston Rod Bearing .....	8
33	4096887	Crankshaft Bearing .....	8
34	4097190	Thrust Washer .....	2
35	4097193	Thrust Washer .....	2
36	4097198	Kit-Crankshaft Bearing (-.20mm / +.20mm) .....	1
37	4097188	Crankshaft Bearing .....	1
38	4097174	Piston Rod Bearing .....	8
39	4096898	Crankshaft Bearing .....	8
40	4097191	Thrust Washer .....	2
41	4097194	Thrust Washer .....	2
42	4097199	Kit-Crankshaft Bearing .....	1
43	4097189	Crankshaft Bearing .....	1
44	4097175	Piston Rod Bearing .....	8
45	4096899	Crankshaft Bearing .....	8
46	4097192	Thrust Washer .....	2
47	4097195	Thrust Washer .....	2

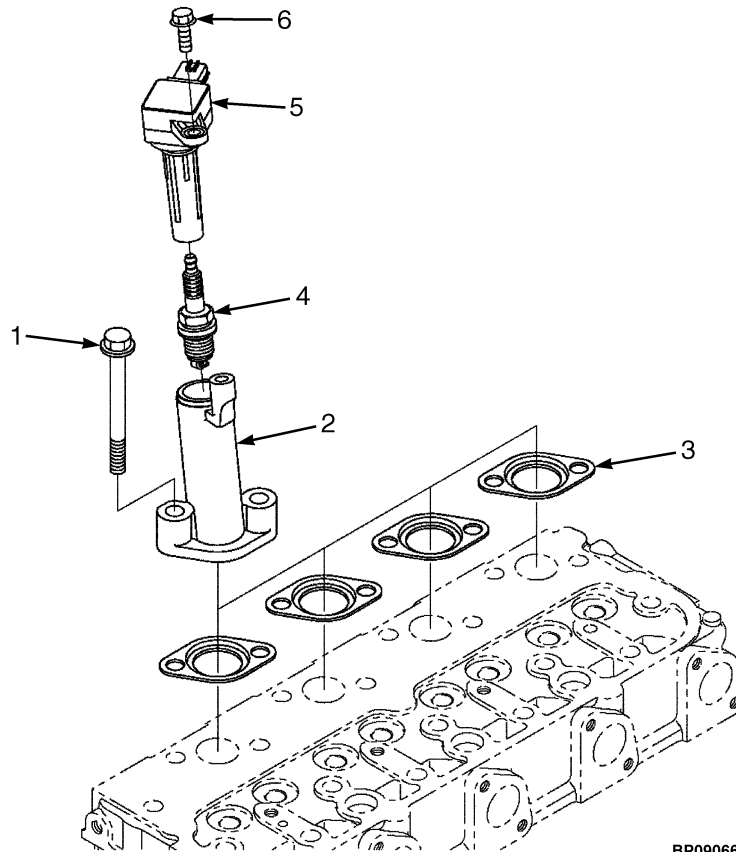
## FLANGE BREATHER ASSEMBLY (FIGURE 2-15) KUBOTA 2.5L



BP090666

ITEM	PART NO.	DESCRIPTION	QTY
	4628651	Engine Assy .....	1
1	4097202	Flange .....	1
2	4097203	Plate .....	1
3	4097204	Screw .....	1
4	4097205	Gasket .....	1
5	4097206	Bolt .....	2
6	4097207	Stud .....	2
7	4050851	Nut (Flange) .....	2

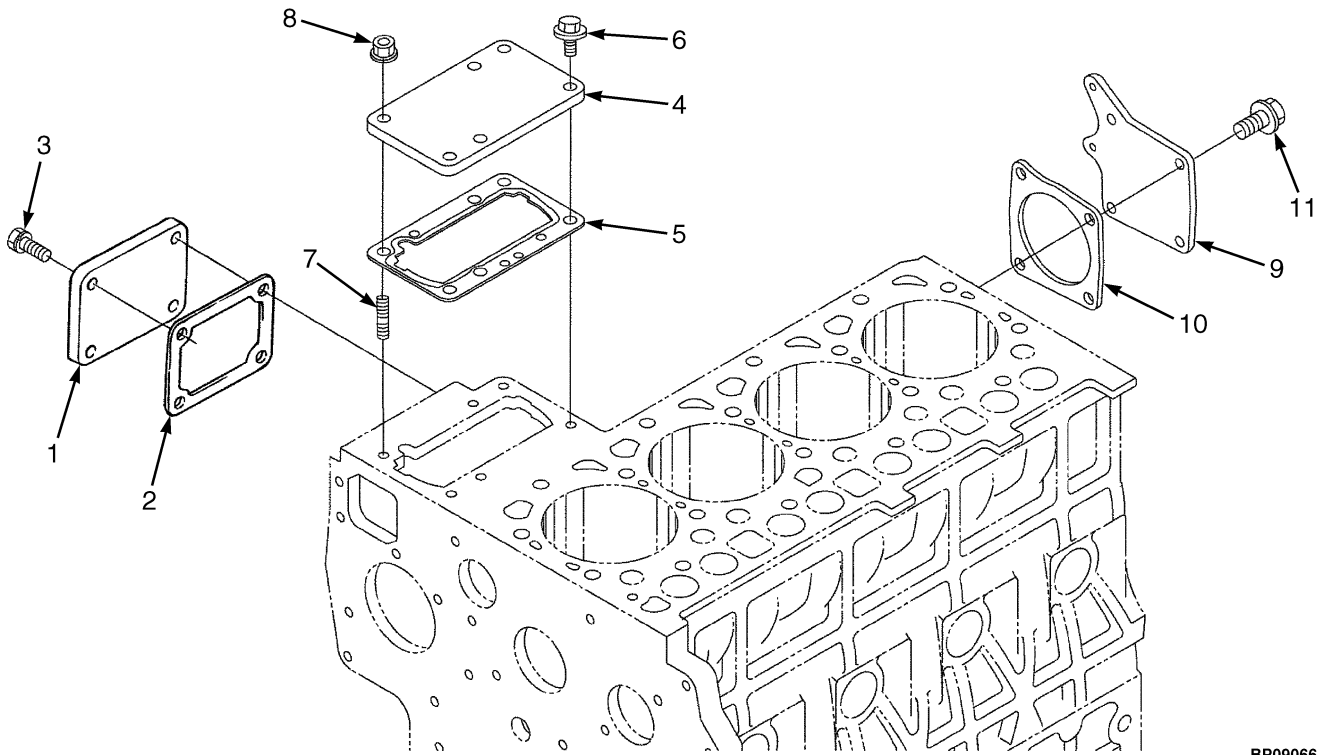
**IGNITION COIL ASSEMBLY (FIGURE 2-16)  
KUBOTA 2.5L**



BP090667

ITEM	PART NO.	DESCRIPTION	QTY
	4628651	Engine Assy .....	1
1	4097208	Bolt .....	8
2	4097209	Flange .....	4
3	4097210	Gasket .....	4
4	4097211	Spark Plug .....	4
5	4097212	Ignition Coil .....	4
6	4041991	Bolt .....	4

## COVER ASSEMBLY (FIGURE 2-17) KUBOTA 2.5L

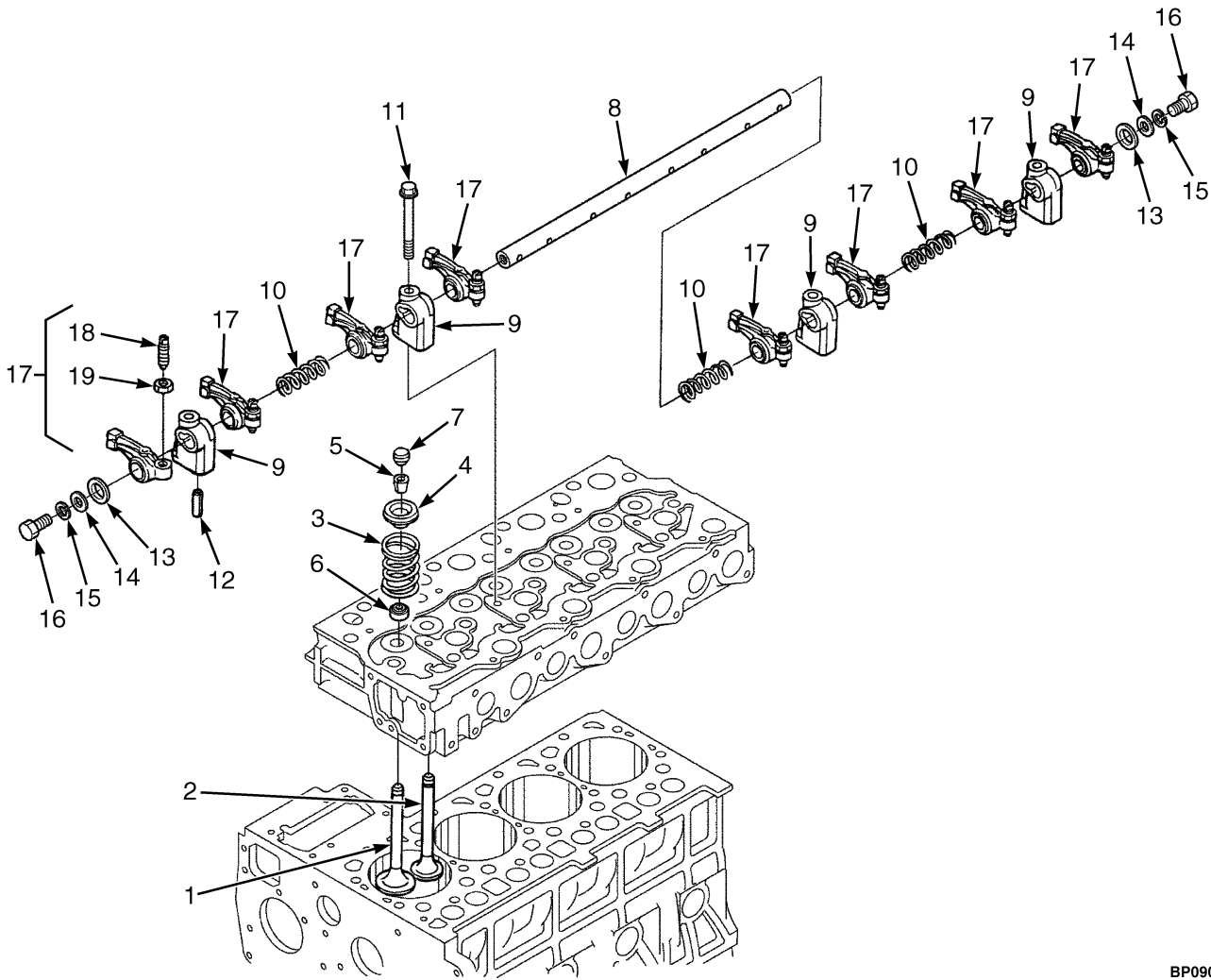


BP090668

ITEM	PART NO.	DESCRIPTION	QTY
	4628651	Engine Assy .....	1
1	4097213	Cover .....	1
2	4097214	Gasket .....	1
3	4097215	Bolt .....	4
4	4097216	Cover .....	1
5	4097217	Shim .....	1
6	4096813	Bolt .....	5
7	4042342	Stud .....	1
8	4041946	Nut .....	1
9	4097218	Cover .....	1
10	4097219	Gasket .....	1
11	4041992	Bolt .....	4



## VALVE AND ROCKER ARM ASSEMBLY (FIGURE 2-18) KUBOTA 2.5L



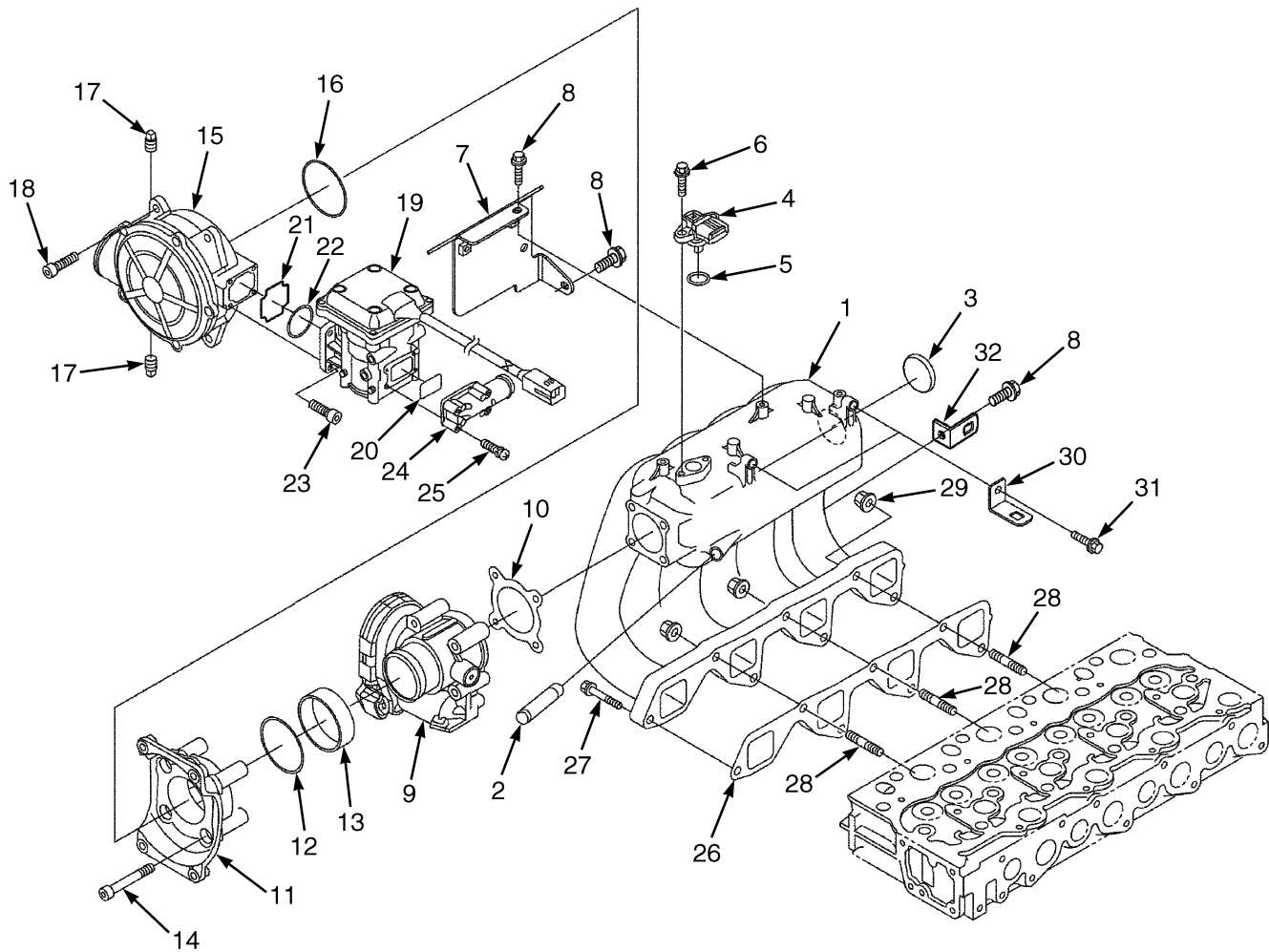
BP090669



**VALVE AND ROCKER ARM ASSEMBLY  
KUBOTA 2.5L**

ITEM	PART NO.	DESCRIPTION	QTY
	4628651	Engine Assy .....	1
1	4097485	Inlet Valve .....	4
2	4097486	Exhaust Valve .....	4
3	4097487	Spring .....	8
4	4042122	Retainer .....	8
5	4042129	Collar .....	16
6	4097488	Seal (Exhaust) .....	4
6	4101858	Seal (Valve Stem, Inlet) (Intake) .....	4
7	4097489	Cap .....	8
8	4097490	Shaft .....	1
9	4097491	Bracket .....	4
10	4097492	Spring .....	3
11	4042198	Bolt .....	4
12	4042096	Pin (Spring) .....	1
13	4050859	Washer .....	2
14	4097493	Washer .....	2
15	4097467	Lockwasher .....	2
16	4097494	Bolt .....	2
17	4097495	Rocker Arm .....	8
18	4042155	Screw .....	1
19	4042103	Nut .....	1

## INTAKE MANIFOLD ASSEMBLY (FIGURE 2-19) KUBOTA 2.5L

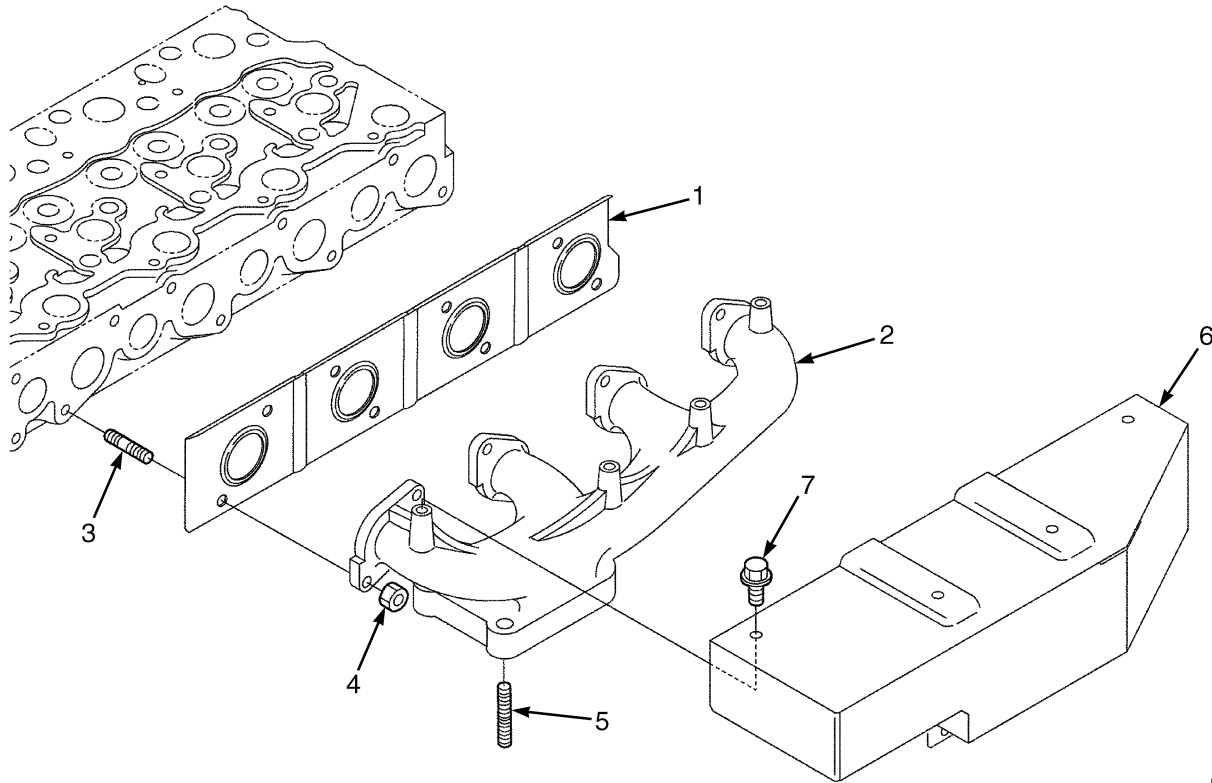


BP090671

**INTAKE MANIFOLD ASSEMBLY  
KUBOTA 2.5L**

ITEM	PART NO.	DESCRIPTION	QTY
	4628651	Engine Assy .....	1
1	4097496	Intake Manifold .....	1
2	4097497	Joint .....	1
3	4041951	Cap .....	1
4	4097498	Sensor .....	1
5	4097499	O-Ring .....	1
6	4097500	Bolt .....	2
7	4097501	Bracket .....	1
8	4042059	Bolt .....	3
9	<del>4097613</del>		
	1650404	Throttle Body .....	1
10	4097614	Gasket .....	1
11	4097615	Adapter .....	1
12	4097616	O-Ring .....	1
13	4097617	Spacer .....	1
14	4097618	Bolt .....	4
15	<del>4097619</del>		
	4111124	Mixer-LPG .....	1
16	4097620	Seal .....	1
17	4097621	Plug .....	2
18	4097622	Bolt .....	4
19	4097623	Regulator .....	1
20	4097624	Seal .....	1
21	4097625	Seal .....	1
22	4097626	Seal .....	1
23	4097627	Bolt .....	4
24	4097628	Flange .....	1
25	4097629	Screw .....	4
26	4097630	Gasket .....	1
27	4042067	Bolt .....	4
28	4097631	Bolt .....	3
29	4041946	Nut .....	3
30	4097632	Bracket .....	2
31	4041992	Bolt .....	2
32	4097690	Bracket .....	1

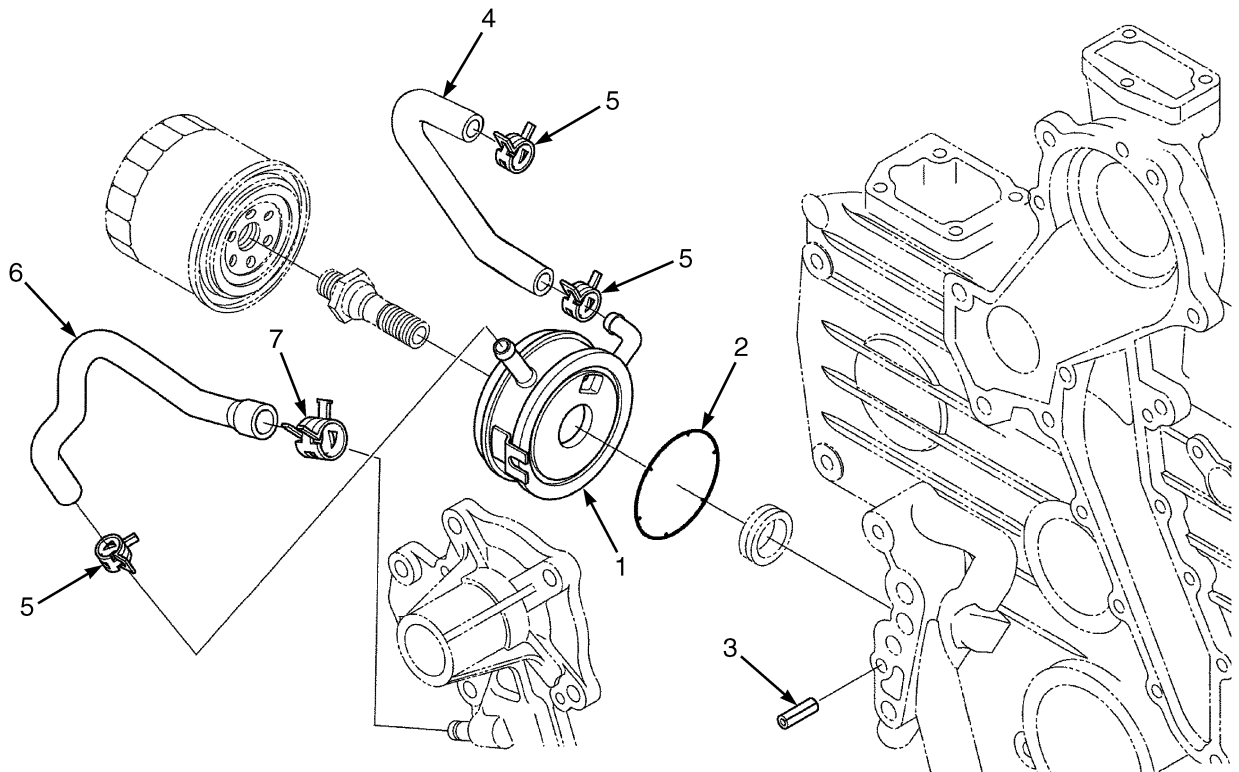
## EXHAUST MANIFOLD ASSEMBLY (FIGURE 2-20) KUBOTA 2.5L



BP090672

ITEM	PART NO.	DESCRIPTION	QTY
	4628651	Engine Assy .....	1
1	4097695	Gasket .....	1
2	4097694	Exhaust Manifold .....	1
3	4097696	Stud .....	8
4	4051053	Nut .....	8
5	4054757	Stud .....	4
6	4097697	Cover .....	1
7	4042035	Bolt .....	6

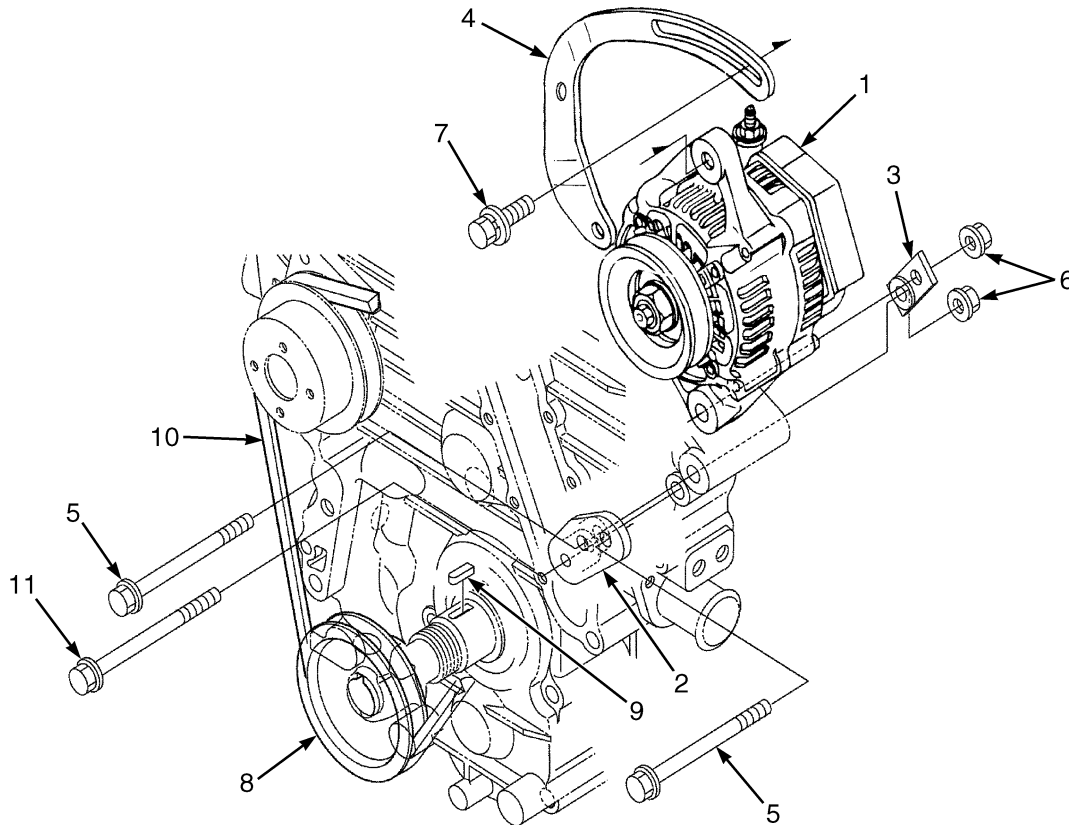
**OIL COOLER ASSEMBLY (FIGURE 2-21)  
KUBOTA 2.5L — 280 MM FAN HEIGHT**



BP080685

ITEM	PART NO.	DESCRIPTION	QTY
	4628651	Engine Assy .....	1
1	4097698	Oil Cooler .....	1
2	4097699	O-Ring .....	1
3	4097699	O-Ring .....	1
4	4097701	Hose .....	1
5	4097702	Hose Clamp .....	3
6	4097923	Hose .....	1
7	4042015	Hose Clamp .....	1

## ALTERNATOR AND PULLEY ASSEMBLY (FIGURE 2-22) KUBOTA 2.5L

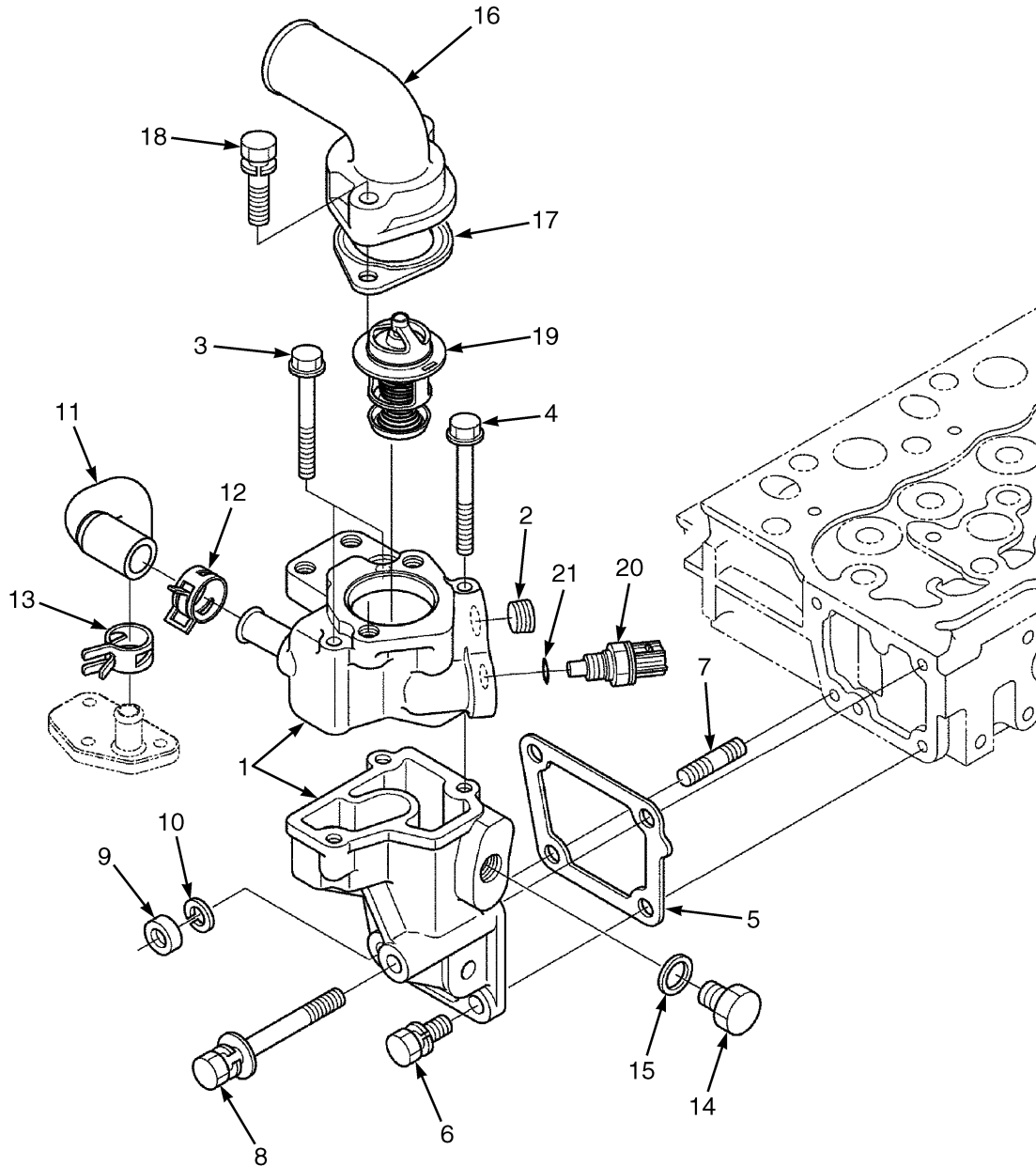


BP090674

ITEM	PART NO.	DESCRIPTION	QTY
	4628651	Engine Assy .....	1
1	4097220	Alternator .....	1
2	4097221	Bracket .....	1
3	4097452	Bracket .....	1
4	4097453	Bracket .....	1
5	4097454	Bolt .....	2
6	4042108	Nut .....	2
7	4097459	Bolt .....	1
8	4097455	Pulley .....	1
9	4097456	Key .....	1
10	4097916	Belt .....	1
11	4097458	Bolt .....	1



## WATER FLANGE AND THERMOSTAT ASSEMBLY (FIGURE 2-23) KUBOTA 2.5L



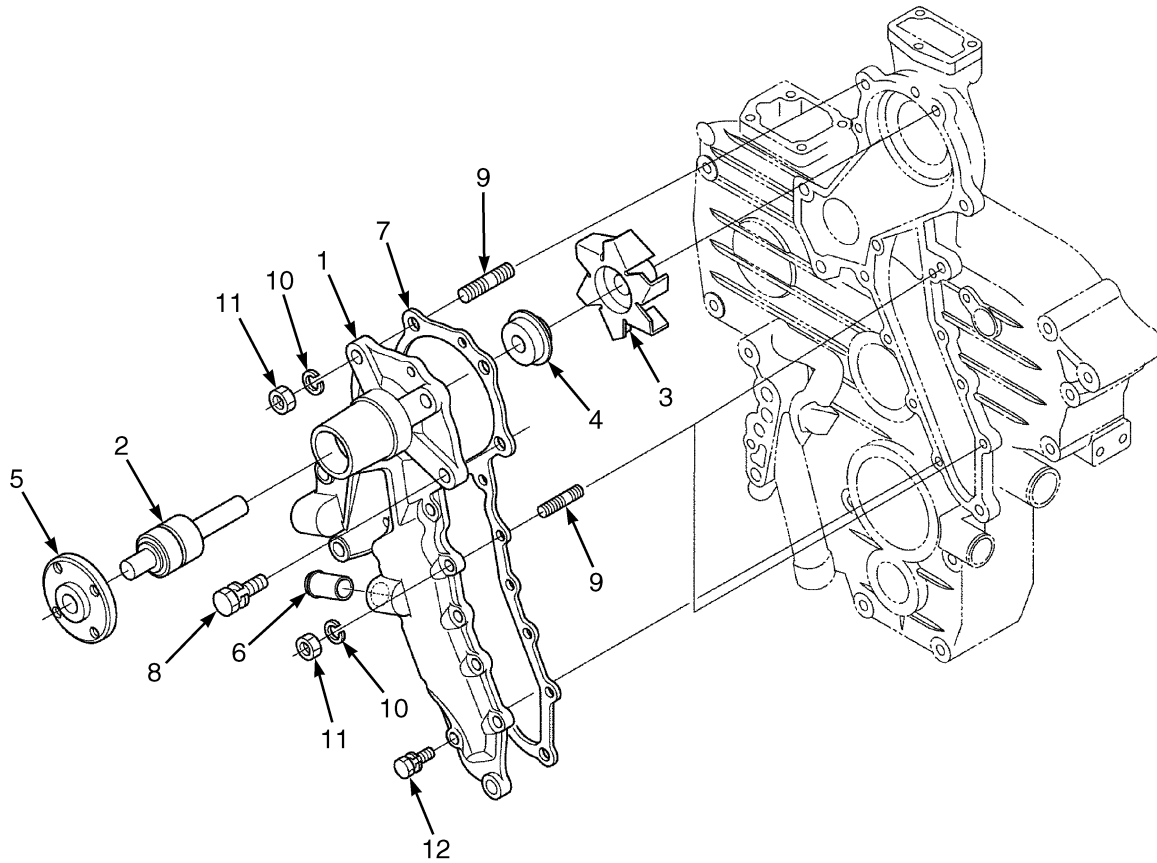
BP090675



**WATER FLANGE AND THERMOSTAT ASSEMBLY  
KUBOTA 2.5L**

ITEM	PART NO.	DESCRIPTION	QTY
	4628651	Engine Assy .....	1
1	4097460	Flange .....	1
2	4042049	Plug .....	1
3	4097461	Bolt .....	2
4	4097462	Bolt .....	1
5	4097463	Gasket .....	1
6	4097464	Bolt .....	2
7	4041945	Stud .....	1
8	4097465	Bolt .....	1
9	4097466	Nut .....	1
10	4097467	Lockwasher .....	1
11	4097917	Hose .....	1
12	4097469	Hose Clamp .....	1
13	4097470	Hose Clamp .....	1
14	4051044	Drain Plug .....	1
15	4051045	Gasket .....	1
16	4097471	Thermostat Housing .....	1
17	4097472	Gasket .....	1
18	4097473	Bolt .....	2
19	4097474	Thermostat .....	1
20	4042056	Sensor (Water Temperature) .....	1
21	4097475	O-Ring .....	1

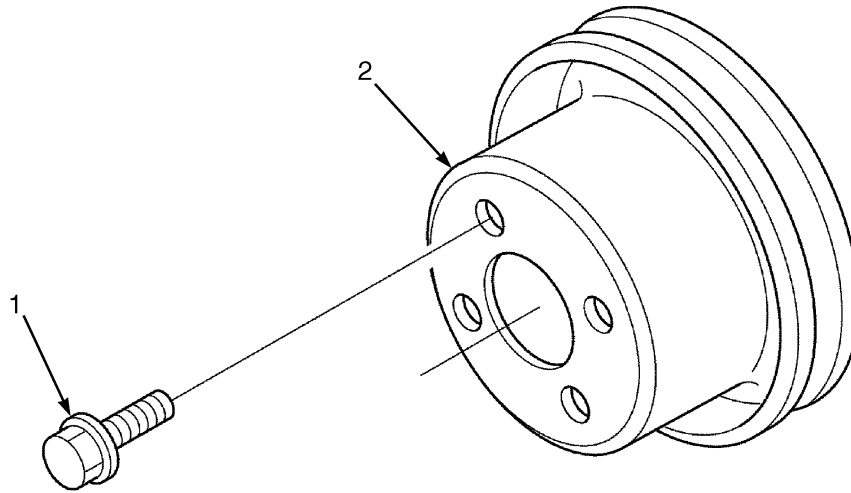
## WATER PUMP ASSEMBLY (FIGURE 2-24) KUBOTA 2.5L



BP090676

ITEM	PART NO.	DESCRIPTION	QTY
	4628651	Engine Assy .....	1
1	4097918	Water Pump .....	1
2	4097477	Bearing .....	1
3	4097478	Impeller .....	1
4	4097919	Seal .....	1
5	4097480	Flange .....	1
6	4097920	Joint .....	1
7	4097921	Gasket .....	1
8	4096892	Bolt .....	3
9	4097483	Bolt .....	1
10	4097467	Lockwasher .....	1
11	4097466	Nut .....	1
12	4041991	Bolt .....	8

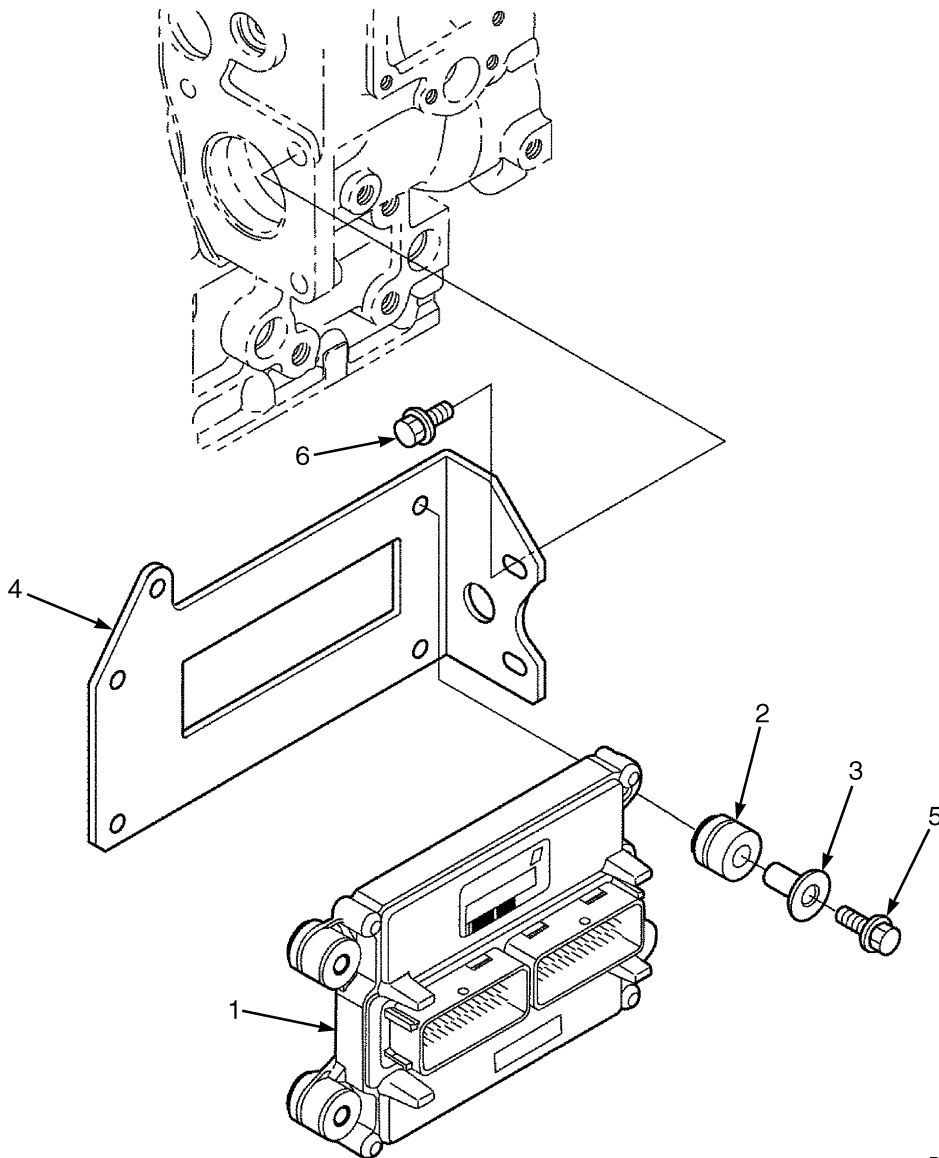
**FAN PULLEY ASSEMBLY (FIGURE 2-25)  
KUBOTA 2.5L**



BP090677

ITEM	PART NO.	DESCRIPTION	QTY
1	4042059	Bolt .....	4
2	4097484	Fan Pulley .....	1

## ECU ASSEMBLY (FIGURE 2-26) KUBOTA 2.5L

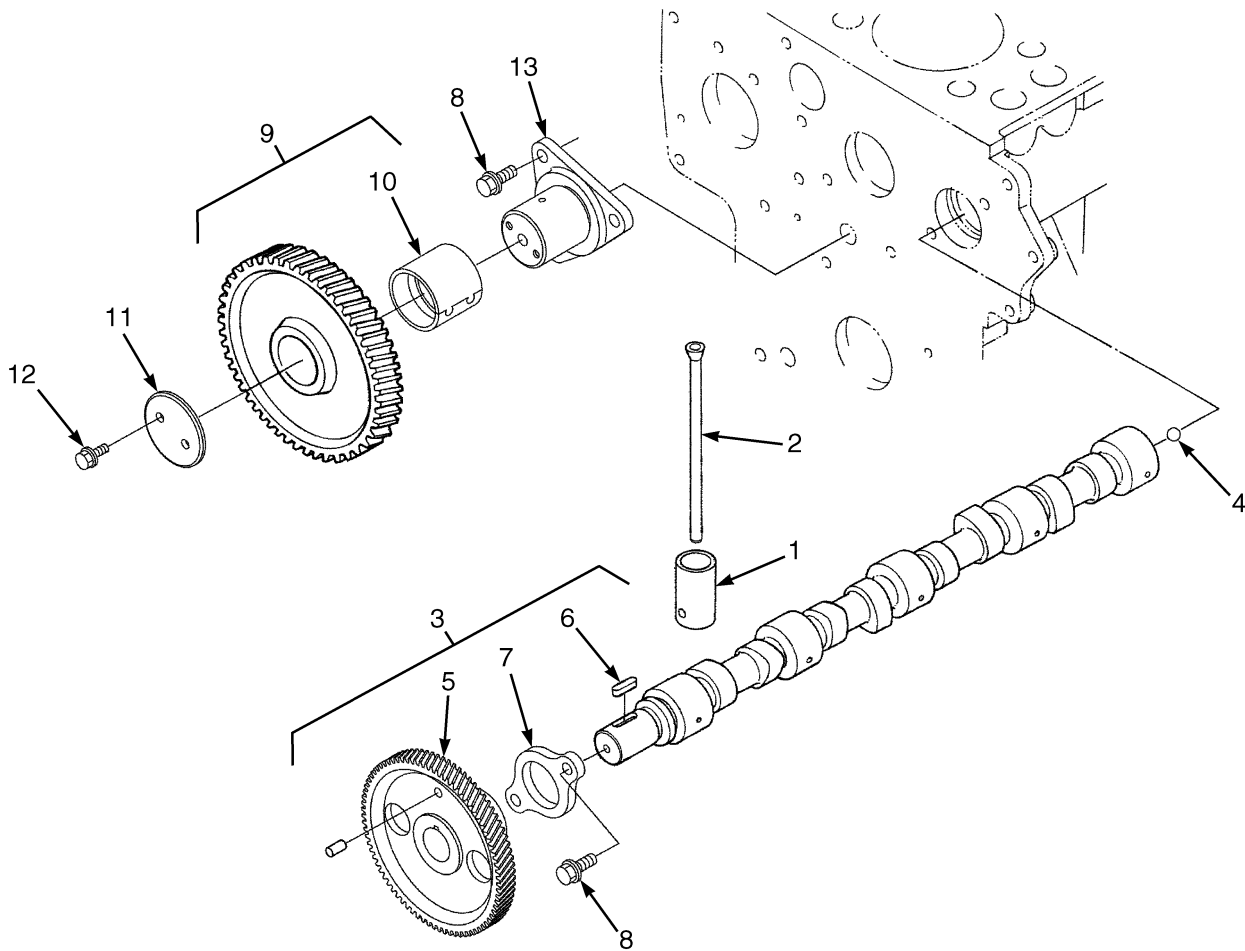


BP090678

**ECU ASSEMBLY  
KUBOTA 2.5L**

<b>ITEM</b>	<b>PART NO.</b>	<b>DESCRIPTION</b>	<b>QTY</b>
	4628651	Engine Assy .....	1
1	4097936	Engine Control Module .....	1
2	4097871	Rubber Mount .....	4
3	4097872	Spacer .....	4
4	4097873	Bracket .....	1
5	4097874	Bolt .....	4
6	4054753	Bolt (Flange) .....	3

## CAMSHAFT ASSEMBLY (FIGURE 2-27) KUBOTA 2.5L

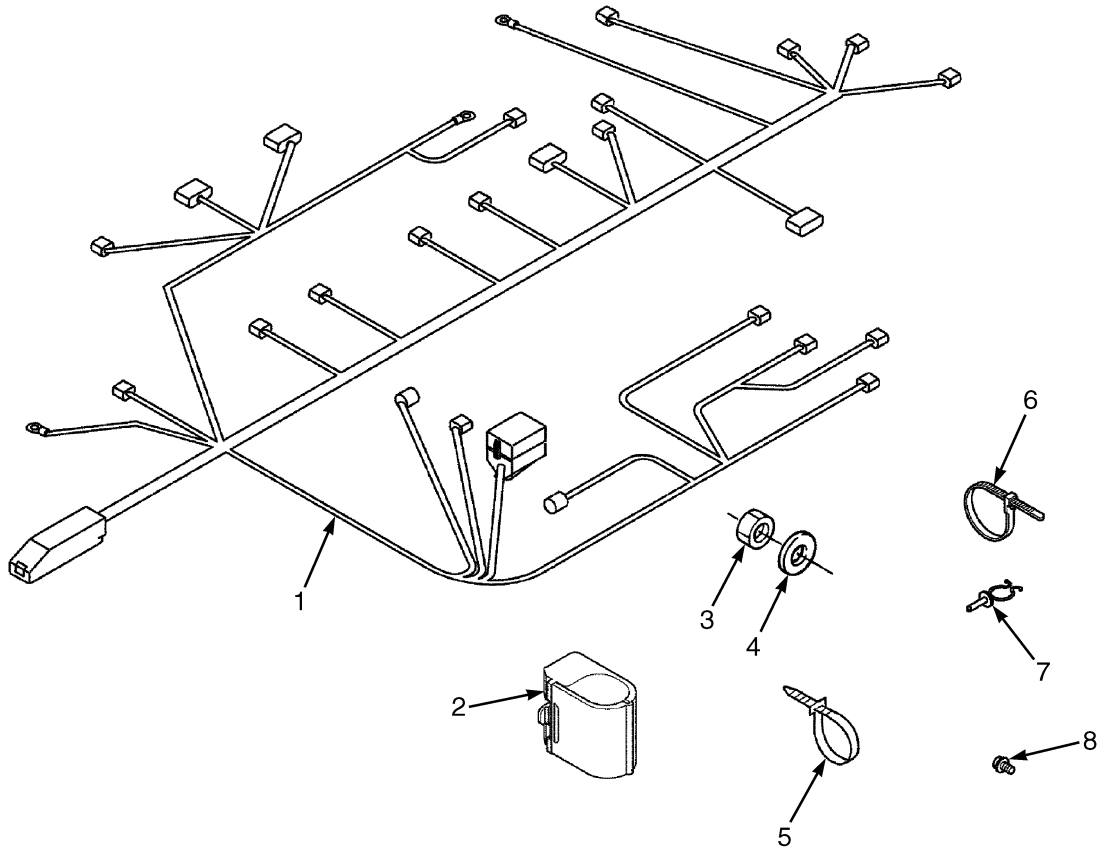


BP090679

**CAMSHAFT ASSEMBLY  
KUBOTA 2.5L**

ITEM	PART NO.	DESCRIPTION	QTY
	4628651	Engine Assy .....	1
1	4042134	Tappet .....	8
2	4096900	Push Rod .....	8
3	4096901	Camshaft .....	1
4	61141	Ball .....	1
5	4096902	Gear .....	1
6	4096903	Key .....	1
7	4096904	Stop .....	1
8	4041992	Bolt .....	5
9	4096905	Idler Gear .....	1
10	4096907	Bushing .....	1
11	4096906	Collar .....	1
12	4054753	Bolt (Flange) .....	2
13	4096908	Shaft .....	1

## WIRE HARNESS ASSEMBLY (FIGURE 2-28) KUBOTA 2.5L



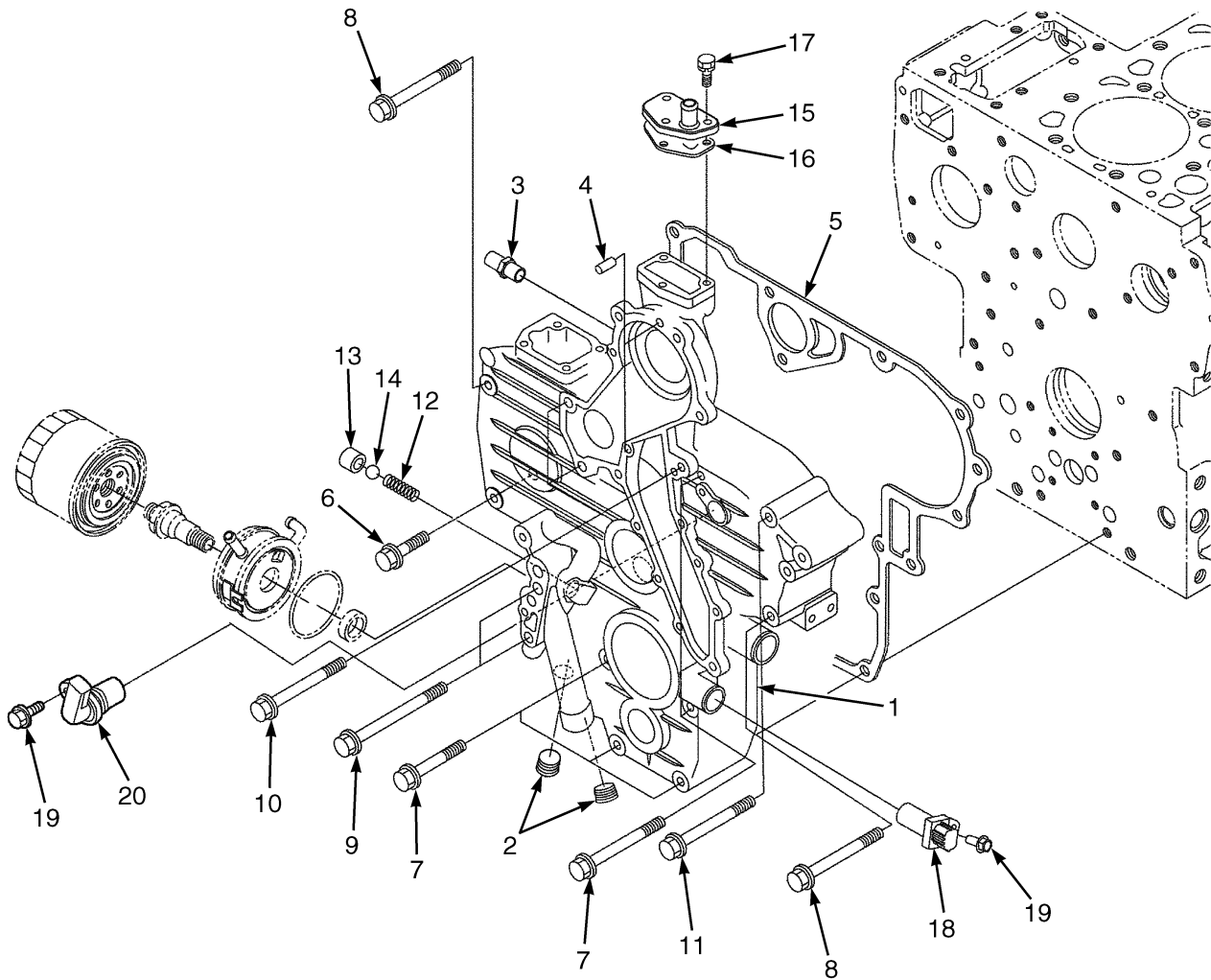
BP090680

ITEM	PART NO.	DESCRIPTION	QTY
1	4629050	Wire Harness (Engine) (☞ Figure 9-4).....	1
2	4027764	Clamp .....	3
3	4050900	Nut .....	1
4	4097705	Lockwasher .....	1
5	4097706	Strap Clamp .....	4
6	4097707	Strap Clamp .....	1
7	4097708	Clamp .....	1
8	4042035	Bolt .....	2





## GEAR CASE ASSEMBLY (FIGURE 2-29) KUBOTA 2.5L — 280 MM FAN HEIGHT



BP090683

**GEAR CASE ASSEMBLY**  
**KUBOTA 2.5L – 280 MM FAN HEIGHT**

ITEM	PART NO.	DESCRIPTION	QTY
1	4097889	Case .....	1
2	4042321	Plug .....	2
3	4041928	Joint (Water) .....	1
4	4096806	Pin .....	2
5	4096828	Gasket .....	1
6	4041997	Bolt .....	1
7	4096829	Bolt .....	5
8	4096830	Bolt .....	2
9	4096831	Bolt .....	2
10	4042324	Bolt .....	3
11	4096832	Bolt .....	1
12	4096833	Spring .....	1
13	4096834	Valve Seat .....	1
14	4096835	Ball .....	1
15	4097890	Flange .....	1
16	4096838	Gasket .....	1
17	4097891	Bolt .....	3
18	4096840	Sensor .....	1
19	4041991	Bolt .....	2
20	4096841	Sensor .....	1



**3**

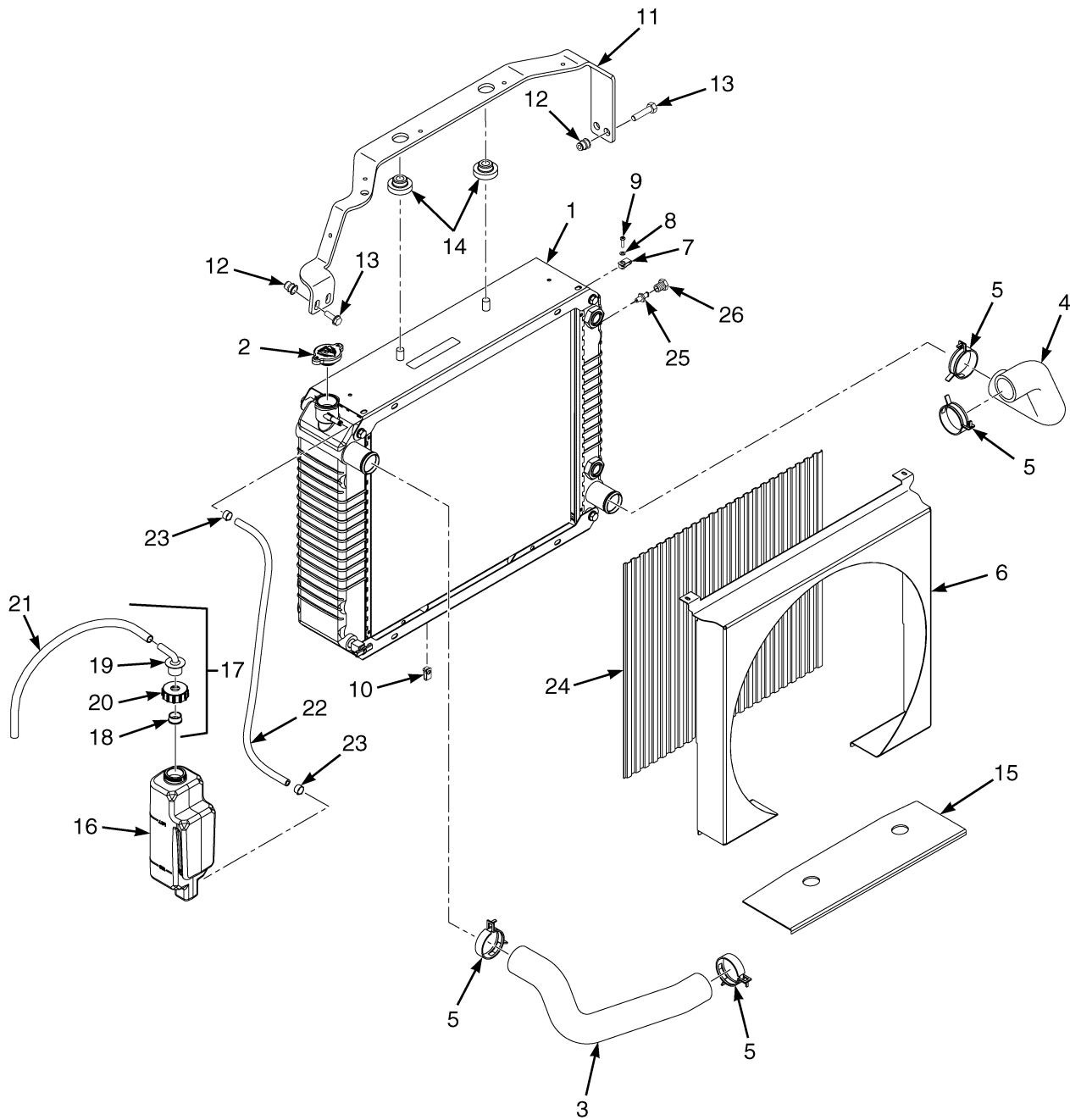
**ENGINE ASSEMBLY - YANMAR**



### SECTION 3 ENGINE ASSEMBLY - YANMAR

DESCRIPTION	PAGE
CAMSHAFT AND DRIVE GEAR	
YANMAR 2.6L , 3.0L AND 3.3L, DIESEL .....	3-26
COOLING SYSTEM	
YANMAR 2.6L , 3.0L AND 3.3L, DIESEL, SQUARE WAVE RADIATOR - WITH INTERNAL OIL COOLER .....	3-2
YANMAR 2.6L, 3.0L AND 3.3L, DIESEL, SQUARE WAVE RADIATOR - WITH EXTERNAL OIL COOLER .....	3-4
COUNTERWEIGHT EXHAUST SYSTEM	
YANMAR 2.6L , 3.0L AND 3.3L, DIESEL - WITH VERTICAL MUFFLER .....	3-8
CRANKSHAFT AND PISTONS	
YANMAR 2.6L , 3.0L AND 3.3L, DIESEL .....	3-28
CYLINDER BLOCK	
YANMAR 2.6L , 3.0L AND 3.3L, DIESEL .....	3-16
CYLINDER HEAD	
YANMAR 2.6L , 3.0L AND 3.3L, DIESEL .....	3-12
ENGINE COOLING	
YANMAR 2.6L , 3.0L AND 3.3L, DIESEL .....	3-30
ENGINE MOUNTING	
YANMAR 2.6L , 3.0L AND 3.3L, DIESEL .....	3-10
FAN ASSEMBLY	
YANMAR DIESEL .....	3-11
FLYWHEEL AND HOUSING	
YANMAR 2.6L , 3.0L AND 3.3L, DIESEL .....	3-24
GEAR HOUSING	
YANMAR 2.6L , 3.0L AND 3.3L, DIESEL .....	3-20
INTAKE AND EXHAUST MANIFOLD	
YANMAR 2.6L , 3.0L AND 3.3L, DIESEL .....	3-18
LUBRICATION SYSTEM	
YANMAR 2.6L , 3.0L AND 3.3L, DIESEL .....	3-32
OIL PAN	
YANMAR 2.6L , 3.0L AND 3.3L, DIESEL .....	3-22
OVERHEAD EXHAUST SYSTEM	
YANMAR 2.6L , 3.0L AND 3.3L, DIESEL - WITH VERTICAL MUFFLER .....	3-6

## COOLING SYSTEM (FIGURE 3-1) YANMAR 2.6L , 3.0L AND 3.3L, DIESEL, SQUARE WAVE RADIATOR — WITH INTERNAL OIL COOLER



BP060117



**COOLING SYSTEM****YANMAR 2.6L , 3.0L AND 3.3L, DIESEL, SQUARE WAVE RADIATOR – WITH INTERNAL OIL COOLER**

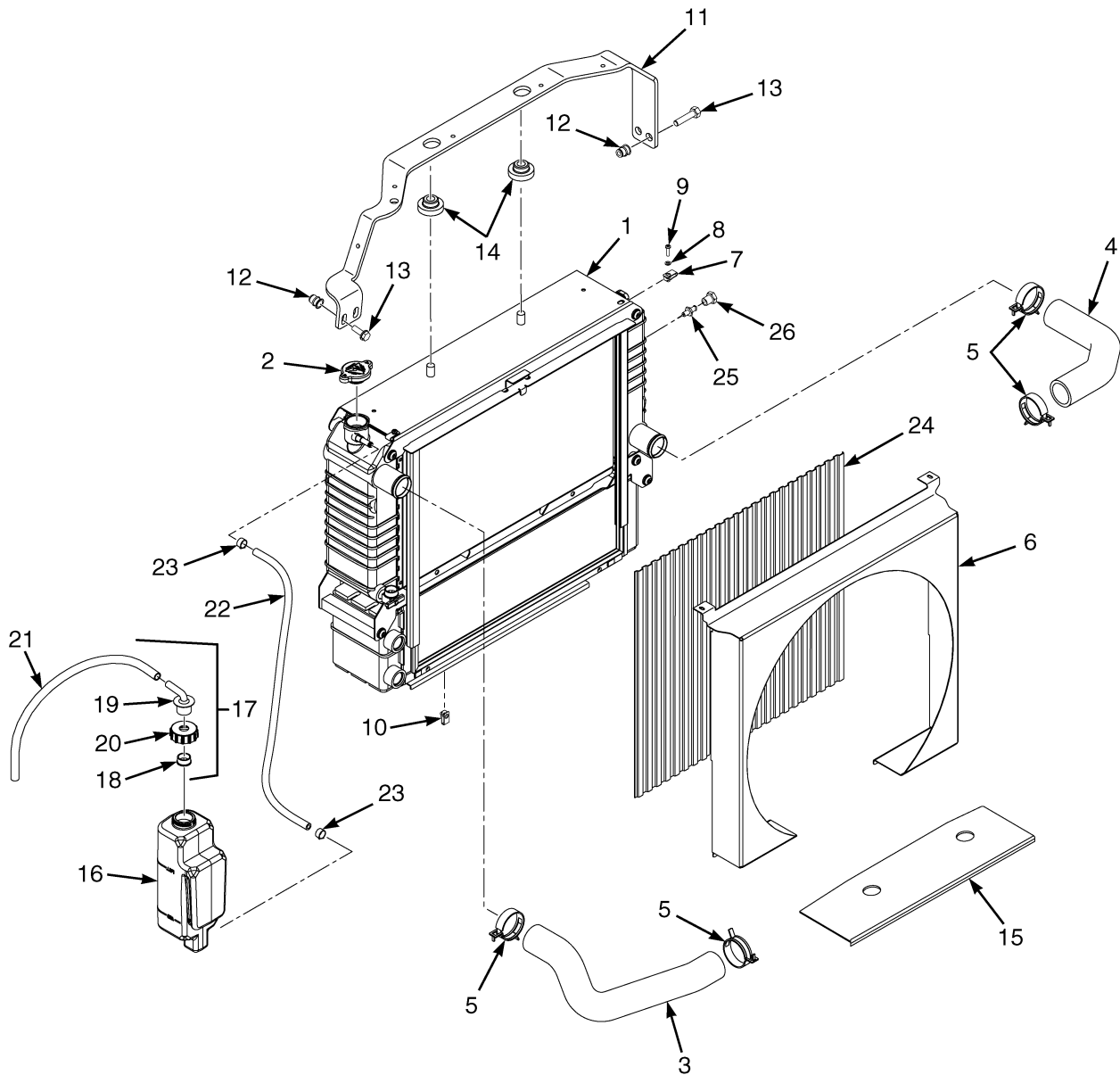
ITEM	PART NO.	DESCRIPTION	QTY
1	<b>a</b> 2089141	Radiator .....	1
1	1569079	Drain Valve (w/Thread Wrap) .....	1
1	<b>b</b> 4603552	Radiator (Assembly) .....	1
1	4038260	Radiator .....	1
1	4038264	Drain Valve .....	1
1	4038265	Nut , Foldover .....	2
1	4038266	Bolt .....	8
2	1352140	Radiator Cap .....	1
3	<b>c</b> 2085104	Radiator Hose (Upper) .....	1
3	<b>a</b> 2087215	Radiator Hose (Upper) .....	1
4	<b>c</b> 2070072	Radiator Hose (Lower) .....	1
4	<b>a</b> 2087216	Radiator Hose (Lower) .....	1
5	<b>a</b> 369804	Clamp .....	4
5	<b>c</b> 1502001	Hose Clamp .....	4
6	<b>a</b> 1625760	Shroud .....	1
6	<b>c</b> 1622236	Shroud .....	1
7	1535257	Nut .....	2
8	320154	Washer .....	2
9	302023	Screw .....	2
10	1329271	Clip .....	2
11	<b>a</b> 1588507	Bracket (Radiator) .....	1
11	<b>c</b> 1611852	Bracket .....	1
12	1530243	Insert .....	4
13	1583611	Capscrew .....	4
14	1529787	Isolator .....	4
15	<b>c</b> 1565692	Exhaust Shield .....	1
15	<b>a</b> 1565691	Exhaust Shield .....	1
16	1633307	Reservoir .....	1
17	345455	Outlet Assembly .....	1
18	336550	Bushing .....	1
19	345453	Outlet (Reservoir) .....	1
20	345454	Cap .....	1
21	1663877	Hose .....	1
22	1567674	Hose .....	1
23	369815	Clamp .....	2
24	<b>a</b> 1548497	Screen .....	1
24	<b>c</b> 4077917	Screen .....	1
25	1531404	Sensor (Low Coolant Level) .....	1
26	<b>d</b> 14385	Fitting .....	1

**FOOTNOTES:**

**a** 2.6L and 3.0L with Basic Transmission  
**b** 2.6L and 3.3L

**c** 3.3L with Basic Transmission  
**d** Without Low Coolant Level Sensor

## COOLING SYSTEM (FIGURE 3-2) YANMAR 2.6L, 3.0L AND 3.3L, DIESEL, SQUARE WAVE RADIATOR — WITH EXTERNAL OIL COOLER



BP060118

**COOLING SYSTEM****YANMAR 2.6L, 3.0L AND 3.3L, DIESEL, SQUARE WAVE RADIATOR – WITH EXTERNAL OIL COOLER**

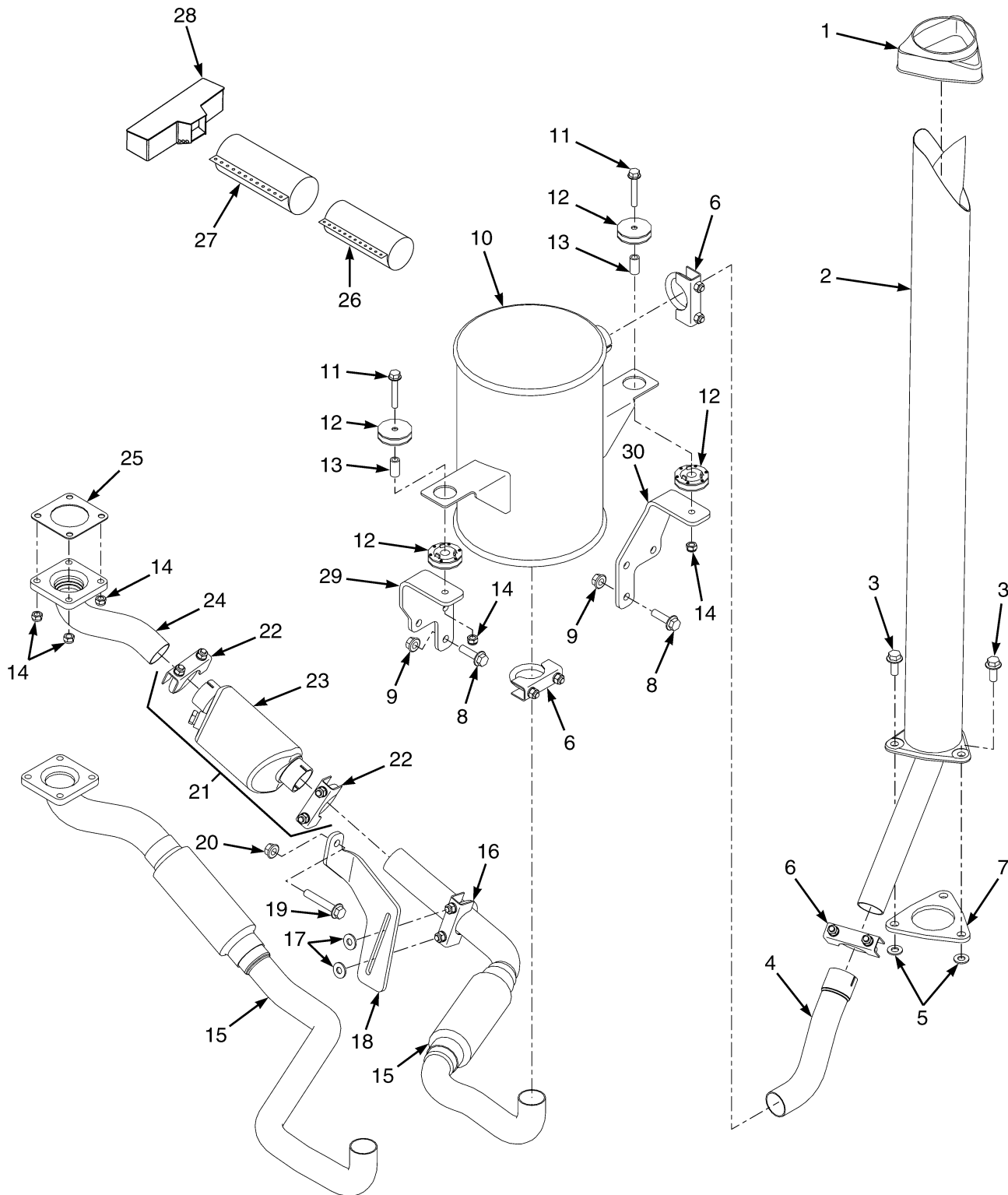
ITEM	PART NO.	DESCRIPTION	QTY
1	4603554	Radiator (Assembly) .....	1
1	4038258	Radiator .....	1
1	4038263	Oil Cooler .....	1
1	4038264	Drain Valve .....	1
1	4038265	Nut , Foldover .....	2
1	4038266	Bolt .....	8
1	4038267	Bolt .....	4
2	1352140	Radiator Cap .....	1
3	2085104	Radiator Hose (Upper) .....	1
4	2069688	Radiator Hose (Lower) .....	1
5	369804	Clamp .....	4
6	1622272	Shroud .....	1
7	1535257	Nut .....	2
8	320154	Washer .....	2
9	302023	Screw .....	2
10	1551663	Clip .....	2
11	1611852	Bracket .....	1
12	1530243	Insert .....	4
13	1583611	Capscrew .....	4
14	1529787	Isolator .....	4
15	1565692	Exhaust Shield .....	1
16	1633307	Reservoir .....	1
17	345455	Outlet Assembly .....	1
18	336550	Bushing .....	1
19	345453	Outlet (Reservoir) .....	1
20	345454	Cap .....	1
21	1663877	Hose .....	1
22	1567674	Hose .....	1
23	369815	Clamp .....	2
24	<b>a</b> 1548497	Screen .....	1
24	<b>b</b> 4077917	Screen .....	1
25	1531404	Sensor (Low Coolant Level) .....	1
26	<b>c</b> 14385	Fitting .....	1

**FOOTNOTES:**

- a** 2.6L and 3.0L with Basic Transmission  
**b** 3.3L with Basic Transmission

- c** Without Low Coolant Level Sensor

## OVERHEAD EXHAUST SYSTEM (FIGURE 3-3) YANMAR 2.6L , 3.0L AND 3.3L, DIESEL — WITH VERTICAL MUFFLER



BP110134

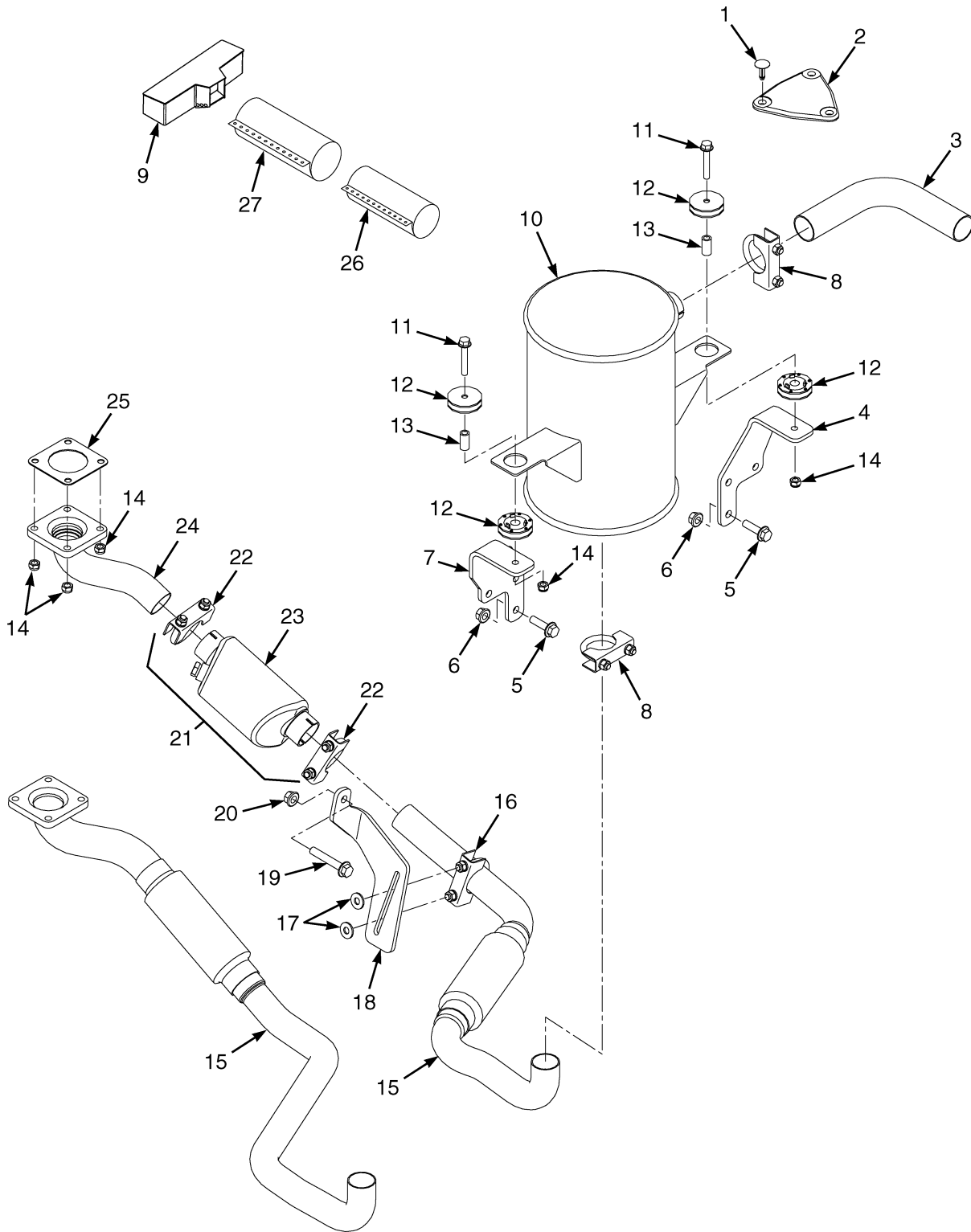
**OVERHEAD EXHAUST SYSTEM**  
**YANMAR 2.6L , 3.0L AND 3.3L, DIESEL – WITH VERTICAL MUFFLER**

**KEY:****A: With Catalytic Converter****B: Without Catalytic Converter**

ITEM	PART NO.	DESCRIPTION	QTY	
			A	B
1	2021394	Cover .....	1	1
2	4051418	Tail Pipe .....	1	1
3	1510117	Capscrew .....	3	3
4	4612595	Exhaust Pipe (Overhead) .....	1	1
5	320159	Washer .....	3	3
6	63117	Clamp .....	3	3
7	1533639	Cover .....	1	1
8	1527885	Capscrew .....	6	6
9	1460477	Nut .....	6	6
10	4602928	Muffler .....	1	1
10	4613004	Muffler .....	1	1
11	1510115	Capscrew .....	2	2
12	1709996	Isolator .....	4	4
13	1708371	Spacer .....	2	2
14	1582222	Locknut .....	6	6
15	4604617	Exhaust Pipe .....	..	1
15	4010287	Exhaust Pipe .....	1	..
16	63117	Clamp .....	1	..
17	15175	Lockwasher .....	2	..
18	2109163	Bracket .....	1	..
19	1527887	Capscrew .....	1	..
20	1460477	Nut .....	1	..
21	878258	Diesel Exhaust Purifier (Exhaust) .....	1	..
22	1391757	Clamp .....	2	..
23	1391758	Sock (Fiberglass) .....	2	..
24	1589635	Exhaust Pipe .....	1	..
25	1532363	Gasket .....	1	1
26	<b>a</b> 2084000	Exhaust Wrap .....	1	1
27	<b>a</b> 2084002	Wrap .....	1	1
28	<b>a</b> 2084001	Wrap .....	1	1
29	4120446	Bracket (LH) .....	1	1
30	4120445	Bracket (RH) .....	1	1
	<b>ab</b> 2073024	Wrap (Flex Joint) .....	1	1

**FOOTNOTES:****a** For Paper Industry Applications**b** Not Illustrated

## COUNTERWEIGHT EXHAUST SYSTEM (FIGURE 3-4) YANMAR 2.6L , 3.0L AND 3.3L, DIESEL — WITH VERTICAL MUFFLER



BP110135

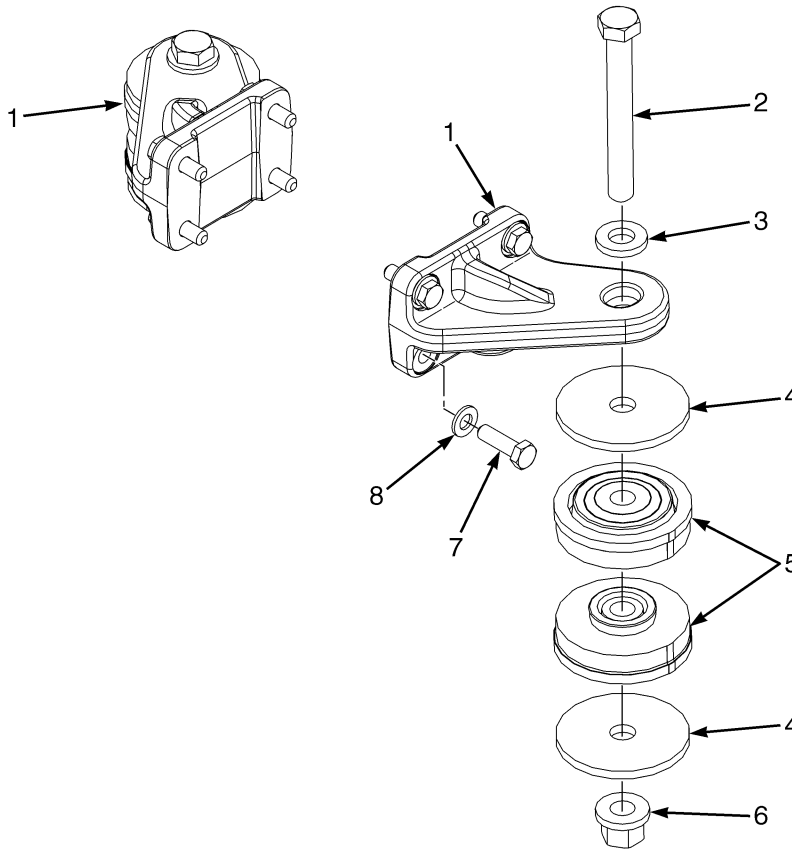
**COUNTERWEIGHT EXHAUST SYSTEM**  
**YANMAR 2.6L , 3.0L AND 3.3L, DIESEL – WITH VERTICAL MUFFLER**

**KEY:****A: With Catalytic Converter****B: Without Catalytic Converter**

ITEM	PART NO.	DESCRIPTION	QTY	
			A	B
1	1347045	Fastener .....	3	3
2	1533639	Cover .....	1	1
3	1585212	Exhaust Pipe (Counterweight) .....	1	1
4	4120445	Bracket (RH) .....	1	1
5	1527885	Capscrew .....	6	6
6	1460477	Nut .....	6	6
7	4120446	Bracket (LH) .....	1	1
8	63117	Clamp .....	2	2
9	<b>a</b> 2084001	Wrap .....	1	1
10	4602928	Muffler .....	1	1
10	4613004	Muffler .....	1	1
11	1510115	Capscrew .....	3	3
12	1709996	Isolator .....	4	4
13	1708371	Spacer .....	2	2
14	1582222	Locknut .....	6	6
15	4604617	Exhaust Pipe .....	..	1
15	4010287	Exhaust Pipe .....	1	..
16	63117	Clamp .....	1	..
17	15175	Lockwasher .....	2	..
18	2109163	Bracket .....	1	..
19	1527887	Capscrew .....	1	..
20	1460477	Nut .....	1	..
21	878258	Diesel Exhaust Purifier (Exhaust) .....	1	..
22	1391757	Clamp .....	2	..
23	1391758	Sock (Fiberglass) .....	2	..
24	1589635	Exhaust Pipe .....	1	..
25	1532363	Gasket .....	1	1
26	<b>a</b> 2084000	Exhaust Wrap .....	1	1
27	<b>a</b> 2084002	Wrap .....	1	1
	<b>ab</b> 2073024	Wrap (Flex Joint) .....	1	1

**FOOTNOTES:****a** For Paper Industry Applications**b** Not Illustrated

## ENGINE MOUNTING (FIGURE 3-5) YANMAR 2.6L , 3.0L AND 3.3L, DIESEL

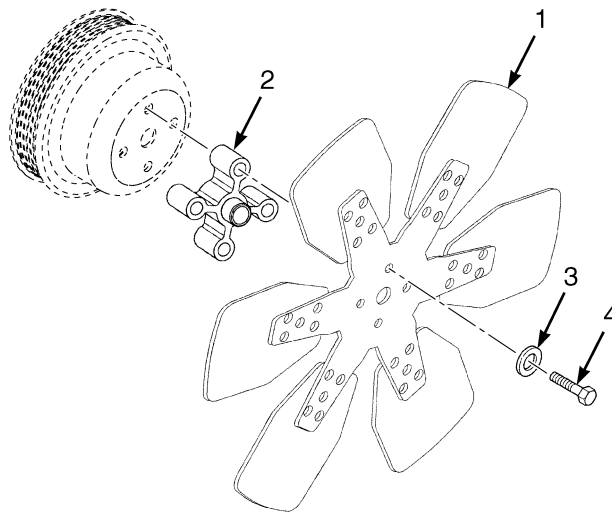


BP090419

ITEM	PART NO.	DESCRIPTION	QTY
1	1557767	Mount .....	2
2	293698	Capscrew .....	2
3	1504075	Washer .....	2
4	1557737	Washer .....	4
5	2069951	Isolator .....	4
6	1565453	Nut (Flange) .....	2
7	293630	Capscrew .....	8
8	296420	Washer .....	8



**FAN ASSEMBLY (FIGURE 3-6)  
YANMAR DIESEL**



BP090418

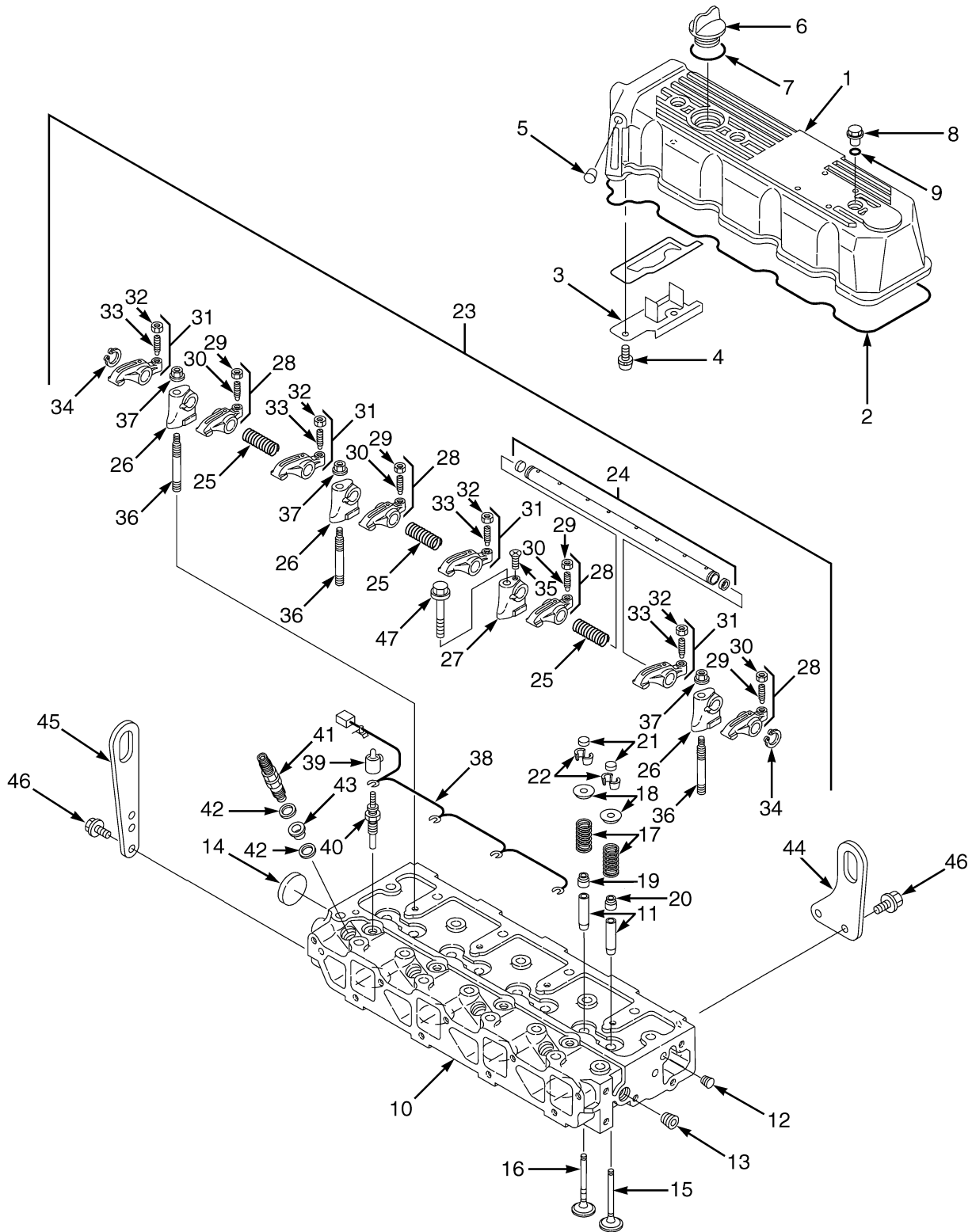
**KEY:**

**A:** Yanmar 3.3L

**B:** Yanmar 2.6L and 3.0L

ITEM	PART NO.	DESCRIPTION	QTY	
			A	B
1	2085570	Fan (Pusher) .....	1	..
1	4620536	Fan (Pusher) .....	..	1
2	1539154	Spacer .....	1	1
3	296418	Washer .....	4	4
4	293623	Capscrew .....	4	4

## CYLINDER HEAD (FIGURE 3-7) YANMAR 2.6L , 3.0L AND 3.3L, DIESEL



BP090184

**CYLINDER HEAD**  
**YANMAR 2.6L , 3.0L AND 3.3L, DIESEL**

ITEM	PART NO.	DESCRIPTION	QTY
	4626066	Engine Assy-Diesel (Yanmar 2.6L Non-Emissions) .....	1
	4626064	Engine Assy-Diesel (Yanmar 3.3L Non-Emissions) .....	1
	4620796	Engine Assy-Diesel (Yanmar 3.0L) .....	1
1	1599545	Engine Cover .....	1
2	1599546	Gasket .....	1
3	1599547	Plate .....	1
4	1599548	Screw .....	2
5	1599549	Plug .....	1
6	1599463	Cap (Oil Fill) .....	1
7	1599464	O-Ring .....	1
8	1599544	Plug .....	3
9	1599550	O-Ring .....	3
10	1599488	Cylinder Head Assembly (2.6L) .....	1
10	1600273	Cylinder Head (3.3L) .....	1
10	4068195	Cylinder Head (3.0L) .....	1
11	1599525	Guide .....	8
12	1599526	Plug .....	1
13	1599441	Plug .....	1
14	1599528	Plug .....	1
15	1599489	Inlet Valve .....	4
16	1599516	Exhaust Valve .....	4
17	1599517	Spring .....	8
18	1599518	Retainer .....	8
19	1599519	Seal (Exhaust Valve) .....	4
20	1599520	Seal (Intake Valve) .....	4
21	1599521	Cap .....	8
22	1599529	Retainer .....	8
23	1599530	Support Assembly (Rocker Arm) .....	1
24	1599531	Shaft .....	1
25	1599532	Spring .....	3
26	1599533	Support .....	3
27	1599534	Support .....	1
28	1599535	Kit-Rocker Arm .....	4
29	1599536	Screw .....	1
30	1599537	Nut .....	1
31	1599538	Kit-Rocker Arm .....	4
32	1599536	Screw .....	1
33	1599537	Nut .....	1
34	1599539	Retaining Ring .....	2
35	1599540	Screw .....	1
36	1599541	Stud .....	3
37	1599542	Nut .....	3
38	1599553	Connector (Glow Plug) (2.6L, 3.0L) .....	1
38	2084316	Connector (Glow Plug) (3.3L) .....	1
39	1599557	Cover .....	4
40	1599552	Glow Plug (2.6L, 3.0L) .....	4
40	4068196	Plug (Glow Plug) (3.3L) .....	4
41	1599818	Injector (☞Figure 6-7).....	4
42	1599523	Gasket .....	8
43	1599522	Protector .....	4

**CYLINDER HEAD**  
**YANMAR 2.6L , 3.0L AND 3.3L, DIESEL**

ITEM	PART NO.	DESCRIPTION	QTY
44	1599487	Lifting Eye .....	1
45	1599486	Lifting Eye .....	1
46	1599470	Bolt .....	4
47	1599555	Bolt .....	1
	4068363	Gasket -Kit (3.0L) .....	1
	1689744	Kit-Gasket (Complete Engine) (3.3L) .....	1
	1599898	Kit-Gasket (2.6L Engine Complete) .....	1

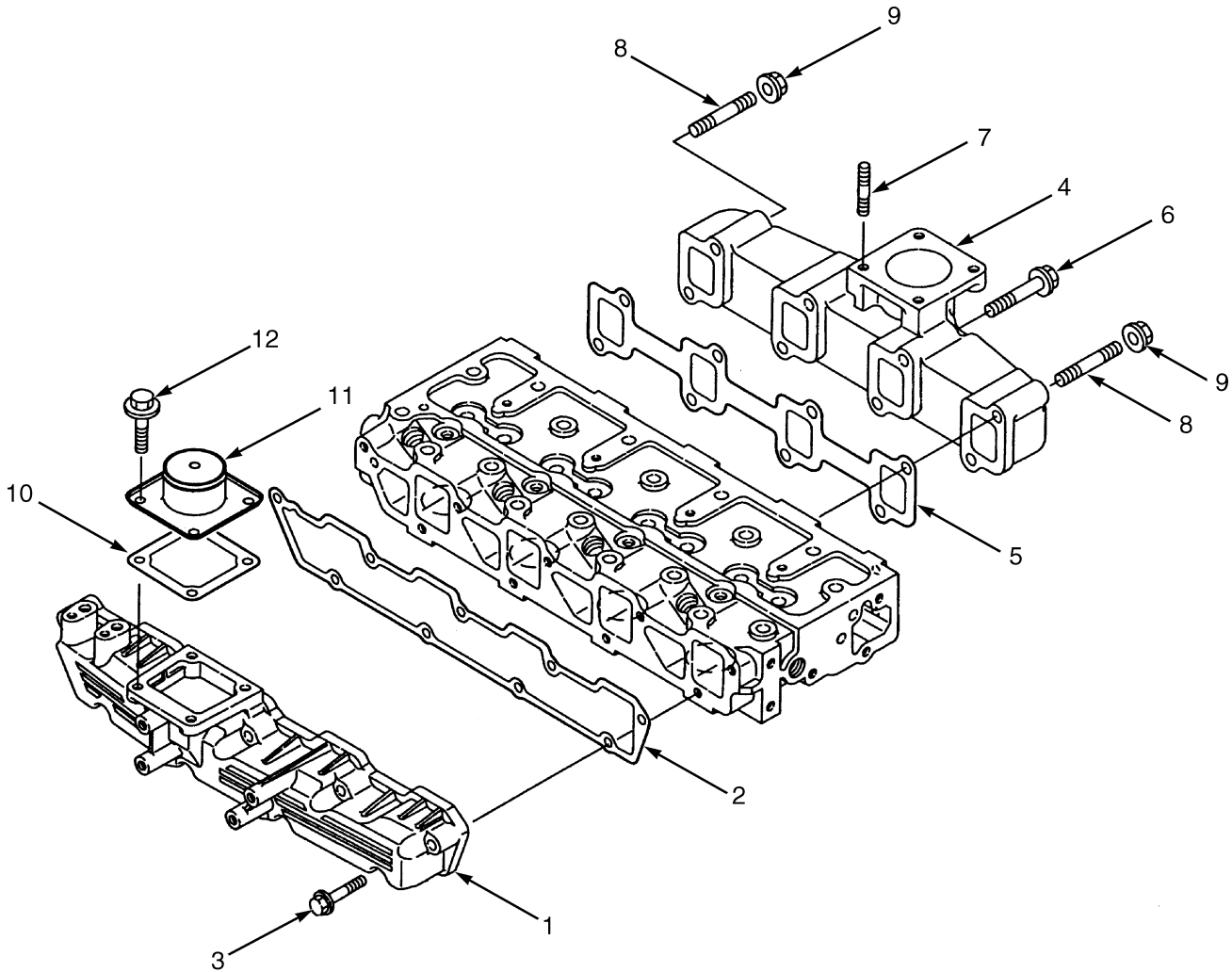




**CYLINDER BLOCK**  
**YANMAR 2.6L , 3.0L AND 3.3L, DIESEL**

ITEM	PART NO.	DESCRIPTION	QTY
	4626066	Engine Assy-Diesel (Yanmar 2.6L Non-Emissions) .....	1
	4626064	Engine Assy-Diesel (Yanmar 3.3L Non-Emissions) .....	1
	4620796	Engine Assy-Diesel (Yanmar 3.0L) .....	1
1	1599440	Cylinder Block (2.6L) .....	1
1	1689742	Cylinder Block (3.3L) .....	1
1	4068193	Cylinder Block (3.0L) .....	1
2	1599441	Plug .....	3
3	1599442	Plug .....	1
4	1599451	Plug .....	8
5	1599444	Bushing .....	1
6	1599446	Cotter Pin .....	2
7	1599449	Plug .....	1
8	1599445	Washer .....	1
9	1599448	Bolt .....	1
10	2092548	Kit-Crankshaft Bearing (Standard) .....	5
10	2092549	Kit-Bearing (U/S 0.25) .....	5
11	2092552	Kit-Thrust Bearing (Standard) .....	2
11	2092553	Kit-Thrust Bearing (U/S 0.25) .....	2
12	1599443	Bolt .....	10
13	1599454	Bolt .....	18
14	1599455	Cylinder Head Gasket (2.6L, 3.0L) .....	1
14	1720519	Gasket (3.3L) .....	1
15	1599458	Pin .....	2
16	1599468	O-Ring .....	1
17	1599469	O-Ring .....	1
	4068363	Gasket -Kit (3.0L) .....	1
	1689744	Kit-Gasket (Complete Engine) (3.3L) .....	1
	1599898	Kit-Gasket (2.6L Engine Complete) .....	1

## INTAKE AND EXHAUST MANIFOLD (FIGURE 3-9) YANMAR 2.6L , 3.0L AND 3.3L, DIESEL



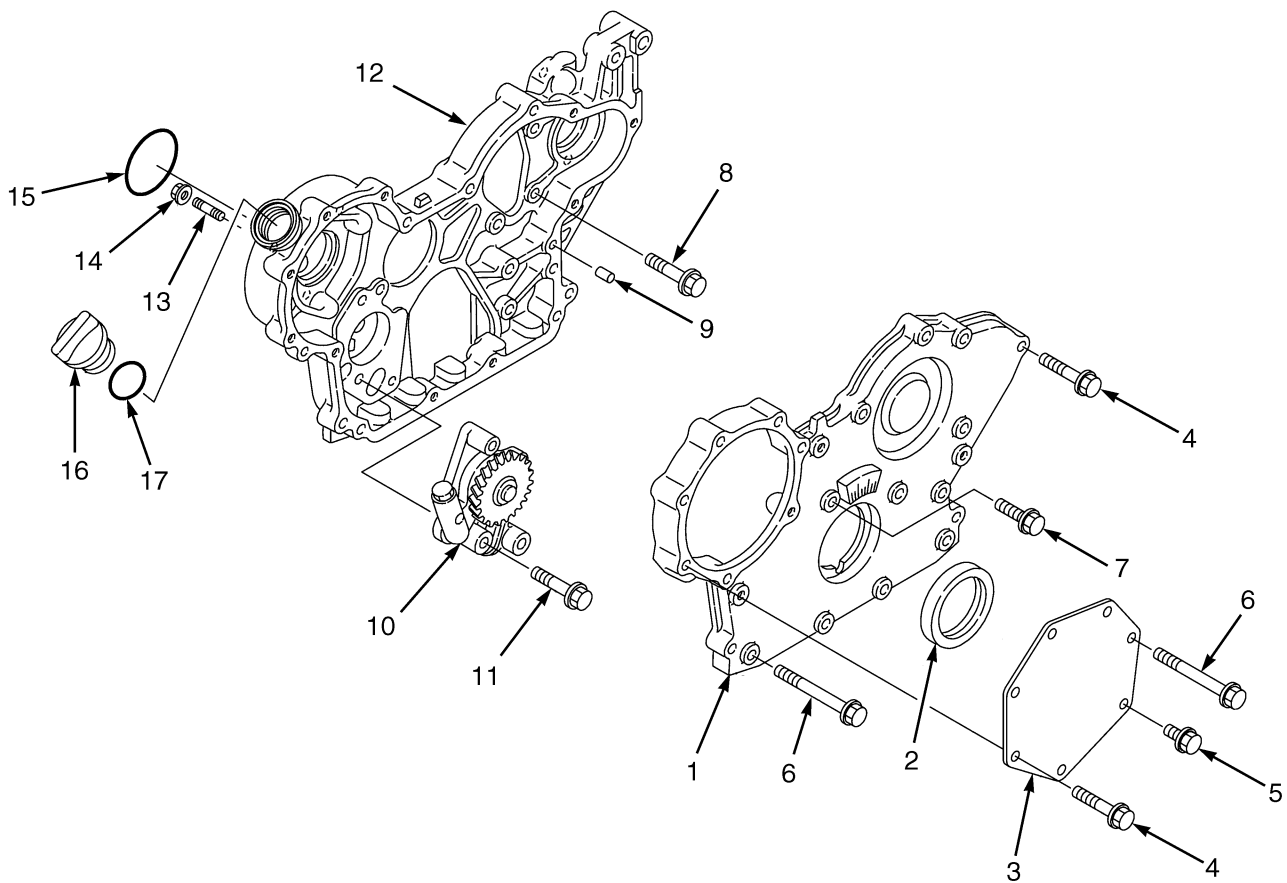
BP090185



**INTAKE AND EXHAUST MANIFOLD**  
**YANMAR 2.6L , 3.0L AND 3.3L, DIESEL**

ITEM	PART NO.	DESCRIPTION	QTY
	4626066	Engine Assy-Diesel (Yanmar 2.6L Non-Emissions) .....	1
	4626064	Engine Assy-Diesel (Yanmar 3.3L Non-Emissions) .....	1
	4620796	Engine Assy-Diesel (Yanmar 3.0L) .....	1
1	1599556	Intake Manifold .....	1
2	1599543	Gasket .....	1
3	1599475	Bolt .....	9
4	1599559	Exhaust Manifold .....	1
5	1599560	Gasket .....	1
6	1599561	Bolt .....	9
7	1599562	Stud .....	4
8	1599563	Stud .....	2
9	2068378	Nut .....	2
10	1599565	Gasket .....	1
11	1599567	Adapter .....	1
12	1599568	Bolt .....	4
	1599898	Kit-Gasket (2.6L Engine Complete) .....	1
	4068363	Gasket -Kit (3.0L) .....	1
	1689744	Kit-Gasket (Complete Engine) (3.3L) .....	1

## GEAR HOUSING (FIGURE 3-10) YANMAR 2.6L , 3.0L AND 3.3L, DIESEL



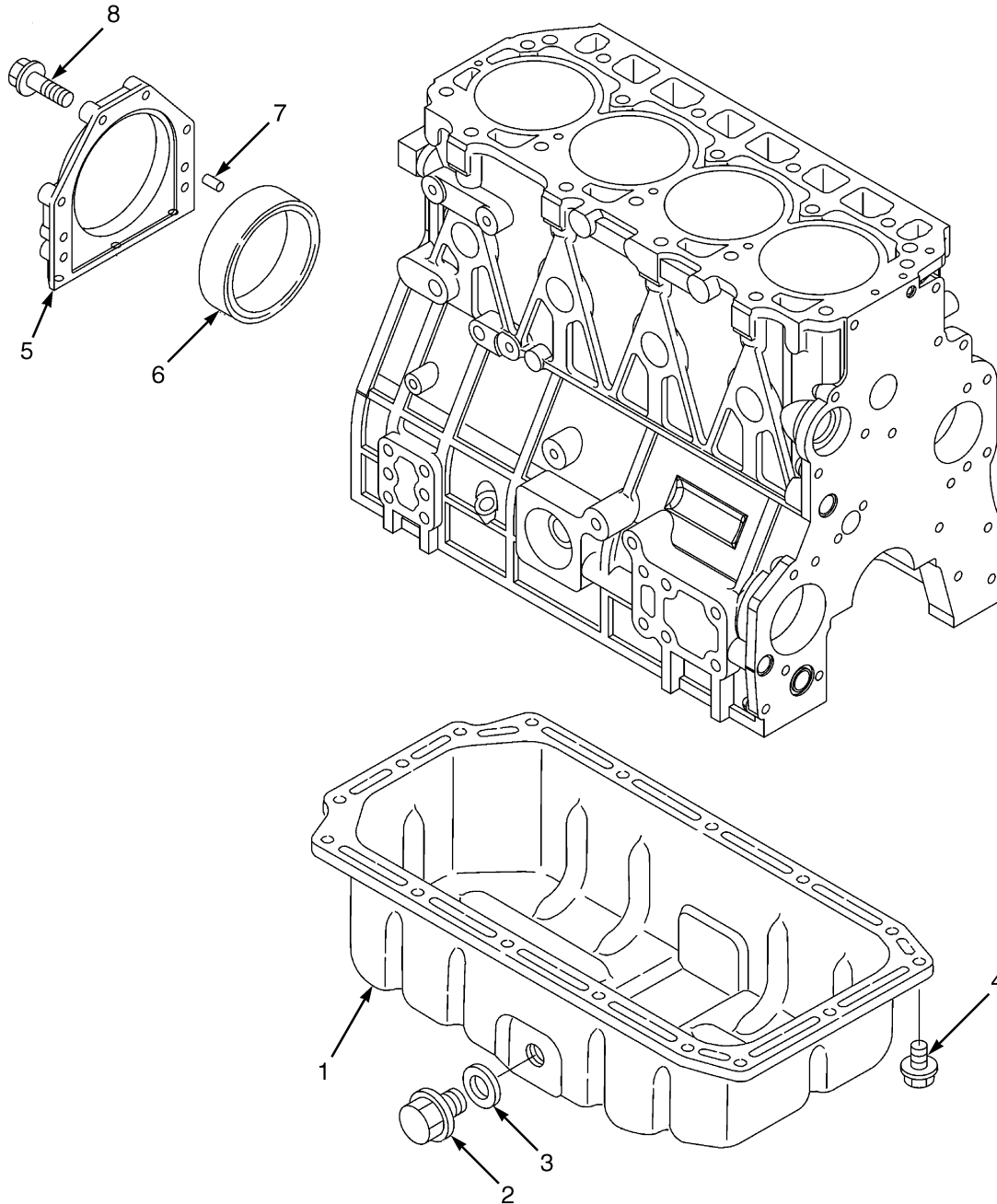
BP090182

**GEAR HOUSING**  
**YANMAR 2.6L , 3.0L AND 3.3L, DIESEL**

ITEM	PART NO.	DESCRIPTION	QTY
	4626066	Engine Assy-Diesel (Yanmar 2.6L Non-Emissions) .....	1
	4626064	Engine Assy-Diesel (Yanmar 3.3L Non-Emissions) .....	1
	4620796	Engine Assy-Diesel (Yanmar 3.0L) .....	1
1	<b>a</b> 2101708	Gear Cover Assembly .....	1
1	1599459	Cover (3.0L) .....	1
2	1599460	Oil Seal .....	1
2	2100927	Oil Seal .....	1
3	1599461	Cover .....	1
4	1599473	Bolt .....	10
5	1599470	Bolt .....	1
6	1599476	Bolt .....	7
7	1599472	Bolt .....	1
8	1599471	Bolt .....	3
9	1599458	Pin .....	4
10	1599466	Engine Oil Pump .....	1
11	1599475	Bolt .....	1
12	1599465	Cover .....	1
13	1599467	Stud .....	3
14	2068378	Nut .....	3
15	1599462	O-Ring .....	1
16	1599463	Cap (Oil Fill) .....	1
17	1599464	O-Ring .....	1
	1599478	Gasket (Liquid) .....	AR
	2084312	Gasket (Liquid) .....	1
	4068363	Gasket -Kit (3.0L) .....	1
	1689744	Kit-Gasket (Complete Engine) (3.3L) .....	1
	1599898	Kit-Gasket (2.6L Engine Complete) .....	1

**FOOTNOTES:****a** 2.6L and 3.3L

## OIL PAN (FIGURE 3-11) YANMAR 2.6L , 3.0L AND 3.3L, DIESEL

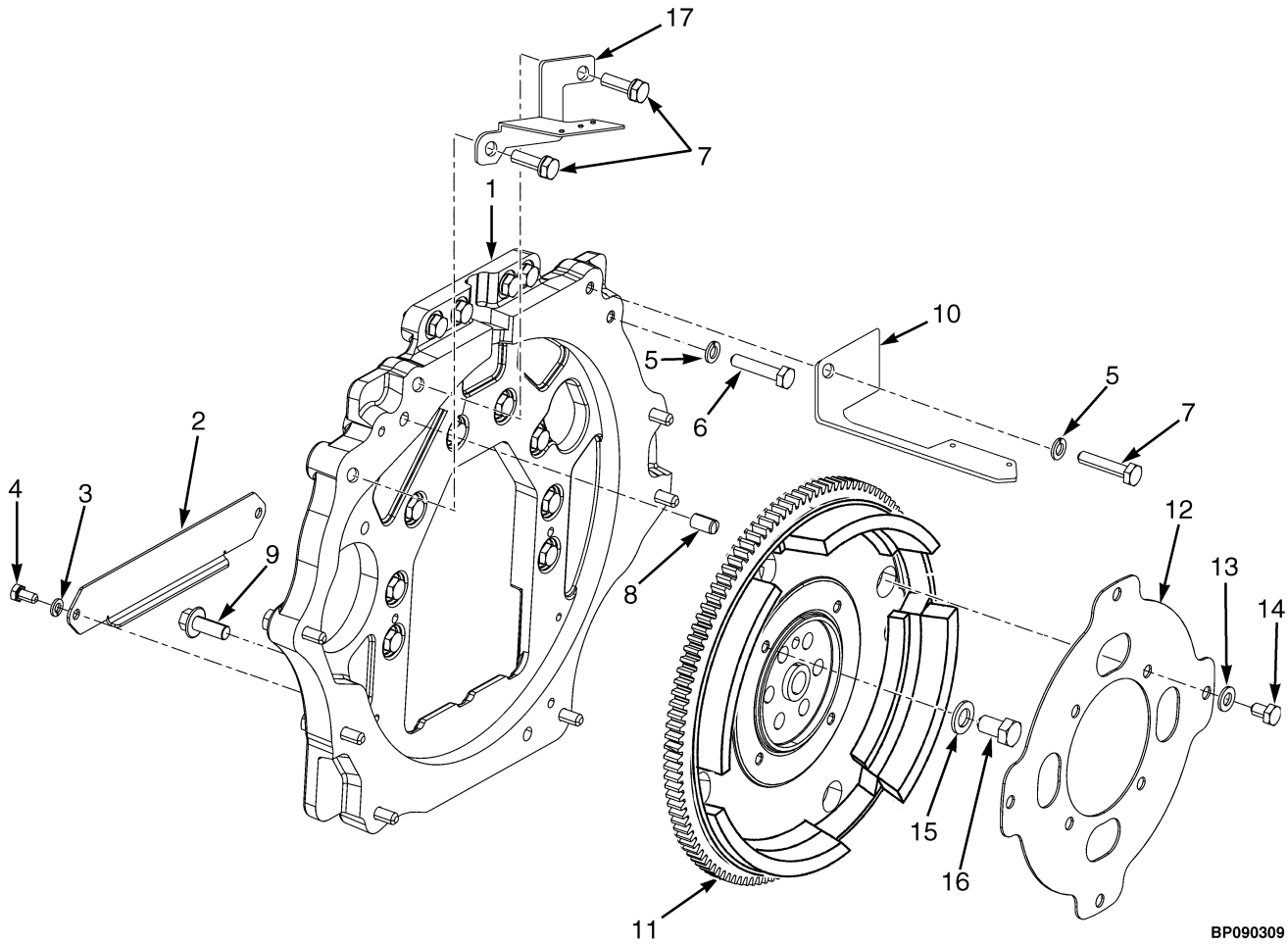


BP090183

**OIL PAN**  
**YANMAR 2.6L , 3.0L AND 3.3L, DIESEL**

ITEM	PART NO.	DESCRIPTION	QTY
	4626066	Engine Assy-Diesel (Yanmar 2.6L Non-Emissions) .....	1
	4626064	Engine Assy-Diesel (Yanmar 3.3L Non-Emissions) .....	1
	4620796	Engine Assy-Diesel (Yanmar 3.0L) .....	1
1	1599479	Oil Pan .....	1
2	1599480	Drain Plug .....	1
3	1599481	Oil Seal .....	1
4	1599448	Bolt .....	16
5	1599483	Case (2.6L and 3.3L) .....	1
5	4068194	Case (3.0L) .....	1
6	1707826	Seal .....	1
7	1599458	Pin .....	2
8	1599485	Bolt .....	6
	1599478	Gasket (Liquid) (Not Illustrated) .....	AR
	4068363	Gasket -Kit (3.0L) .....	1
	1689744	Kit-Gasket (Complete Engine) (3.3L) .....	1
	1599898	Kit-Gasket (2.6L Engine Complete) .....	1

## FLYWHEEL AND HOUSING (FIGURE 3-12) YANMAR 2.6L , 3.0L AND 3.3L, DIESEL

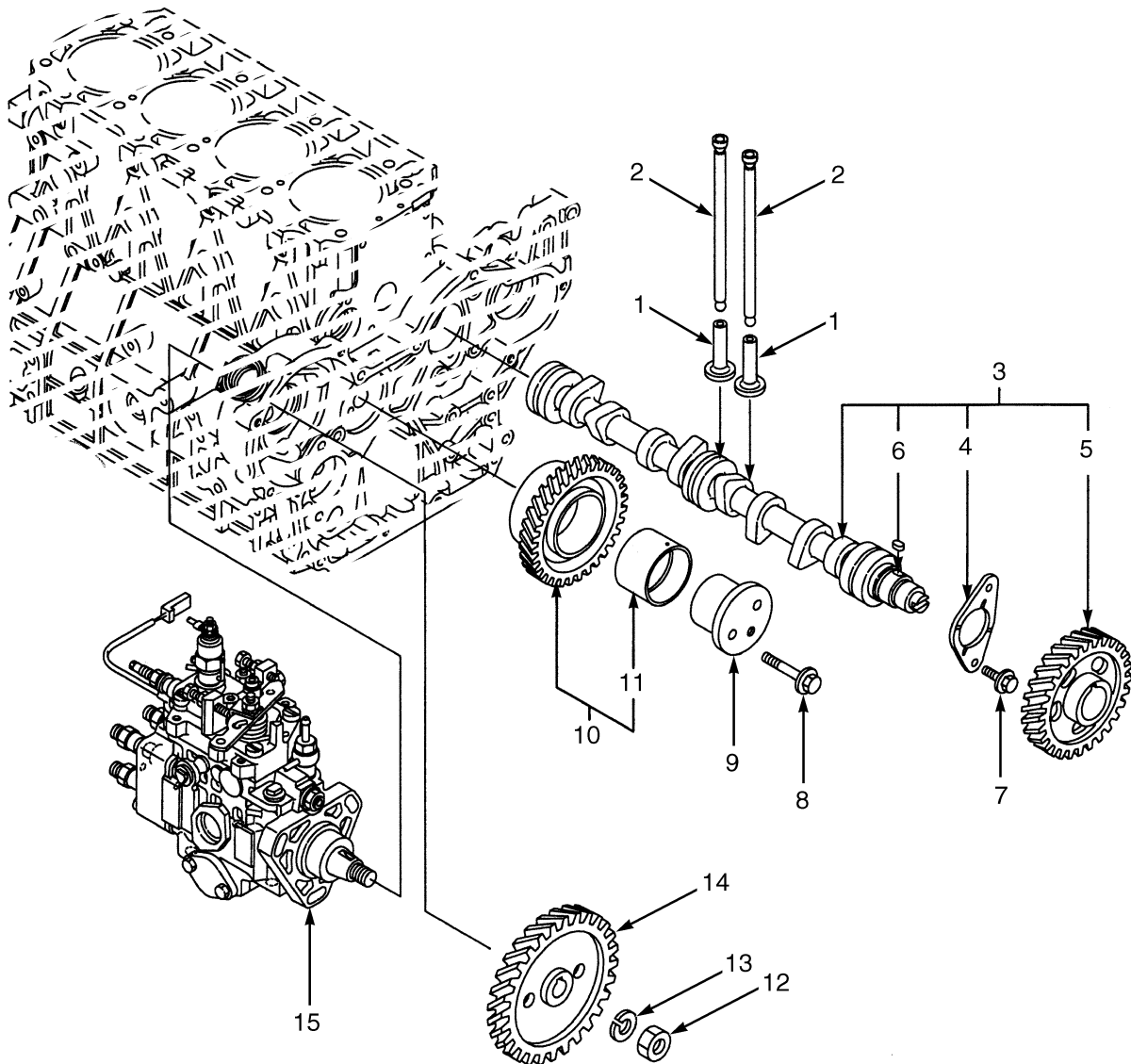


BP090309

**FLYWHEEL AND HOUSING**  
**YANMAR 2.6L , 3.0L AND 3.3L, DIESEL**

ITEM	PART NO.	DESCRIPTION	QTY
1	1553265	Housing .....	1
2	1522363	Cover .....	1
3	292681	Lockwasher .....	2
4	287851	Capscrew .....	2
5	292682	Lockwasher .....	22
6	136985	Capscrew .....	12
7	292517	Capscrew .....	10
8	303150	Dowel .....	2
9	1528889	Capscrew .....	2
10	1653569	Bracket .....	1
11	1707341	Flywheel .....	1
11	1506604	Starter Ring Gear .....	1
12	1531806	Flex Plate .....	1
13	296420	Washer .....	4
14	293626	Capscrew .....	4
15	296424	Washer .....	6
16	1550747	Capscrew .....	6
17	1623093	Bracket .....	1

## CAMSHAFT AND DRIVE GEAR (FIGURE 3-13) YANMAR 2.6L , 3.0L AND 3.3L, DIESEL



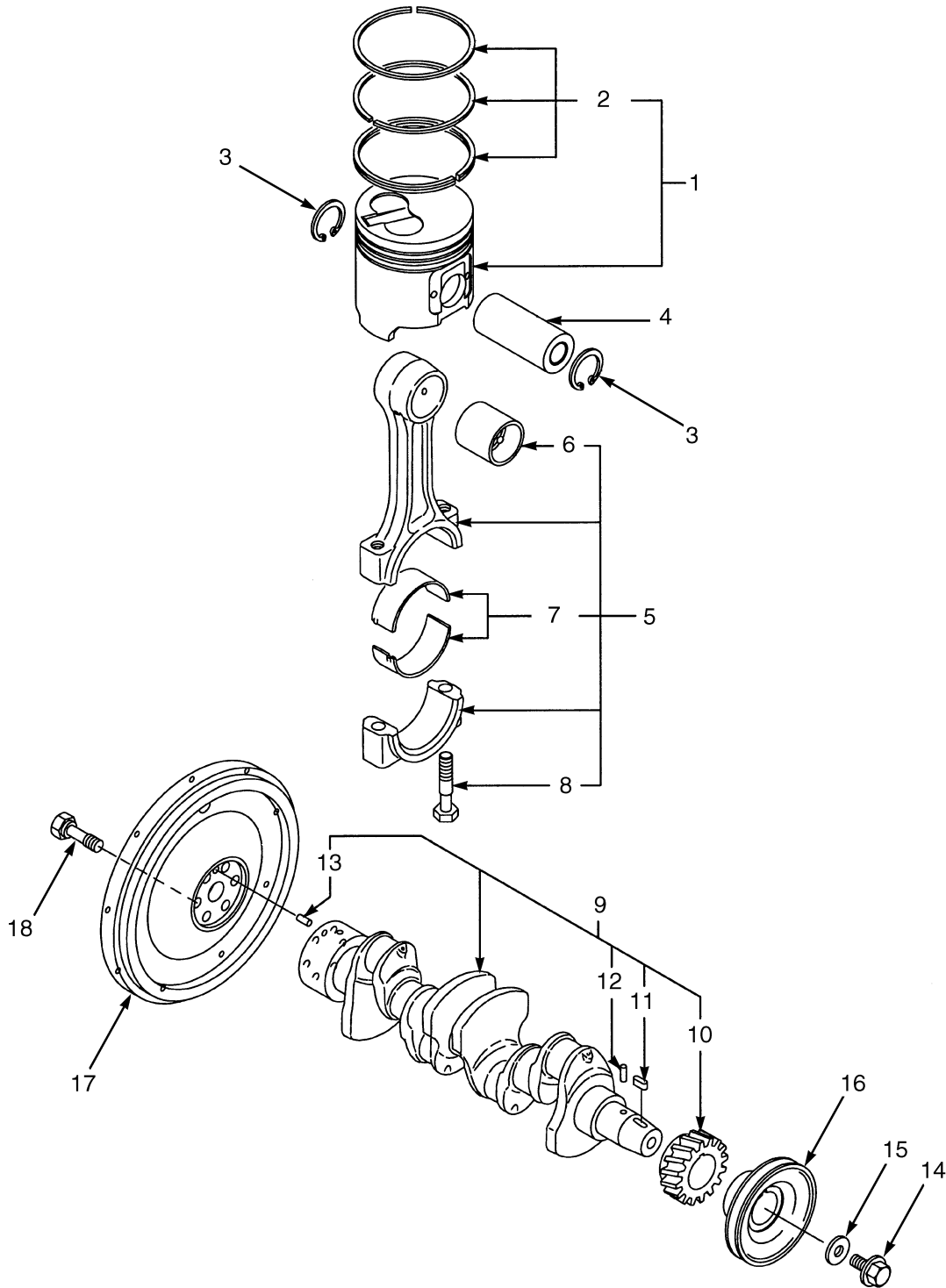
BP090186



**CAMSHAFT AND DRIVE GEAR  
YANMAR 2.6L , 3.0L AND 3.3L, DIESEL**

ITEM	PART NO.	DESCRIPTION	QTY
	4626066	Engine Assy-Diesel (Yanmar 2.6L Non-Emissions) .....	1
	4626064	Engine Assy-Diesel (Yanmar 3.3L Non-Emissions) .....	1
	4620796	Engine Assy-Diesel (Yanmar 3.0L) .....	1
1	1599569	Tappet .....	8
2	1599570	Push Rod .....	8
3	1599571	Camshaft (2.6L and 3.3L) .....	1
3	2084317	Camshaft (3.0L) .....	1
4	1599572	Retainer .....	1
5	1599573	Gear (2.6L and 3.3L) .....	1
5	2084318	Gear (3.0L) .....	1
6	1599574	Key .....	1
7	1599470	Bolt .....	2
7	1599568	Bolt .....	2
8	1599579	Bolt .....	2
9	1599576	Shaft .....	1
10	4021292	Idler Gear .....	1
11	1599578	Bushing .....	1
12	1599582	Locknut .....	1
13	1599581	Spring Washer .....	1
14	1599580	Gear .....	1
15	1708457	Fuel Pump Assembly (Injection 2.6L) (2.6L) (☞ Figure 6-7).....	1
15	1689747	Fuel Pump (3.3L) (☞ Figure 6-7).....	1
	4068203	Fuel Pump (3.0L) (☞ Figure 6-7).....	1

## CRANKSHAFT AND PISTONS (FIGURE 3-14) YANMAR 2.6L , 3.0L AND 3.3L, DIESEL

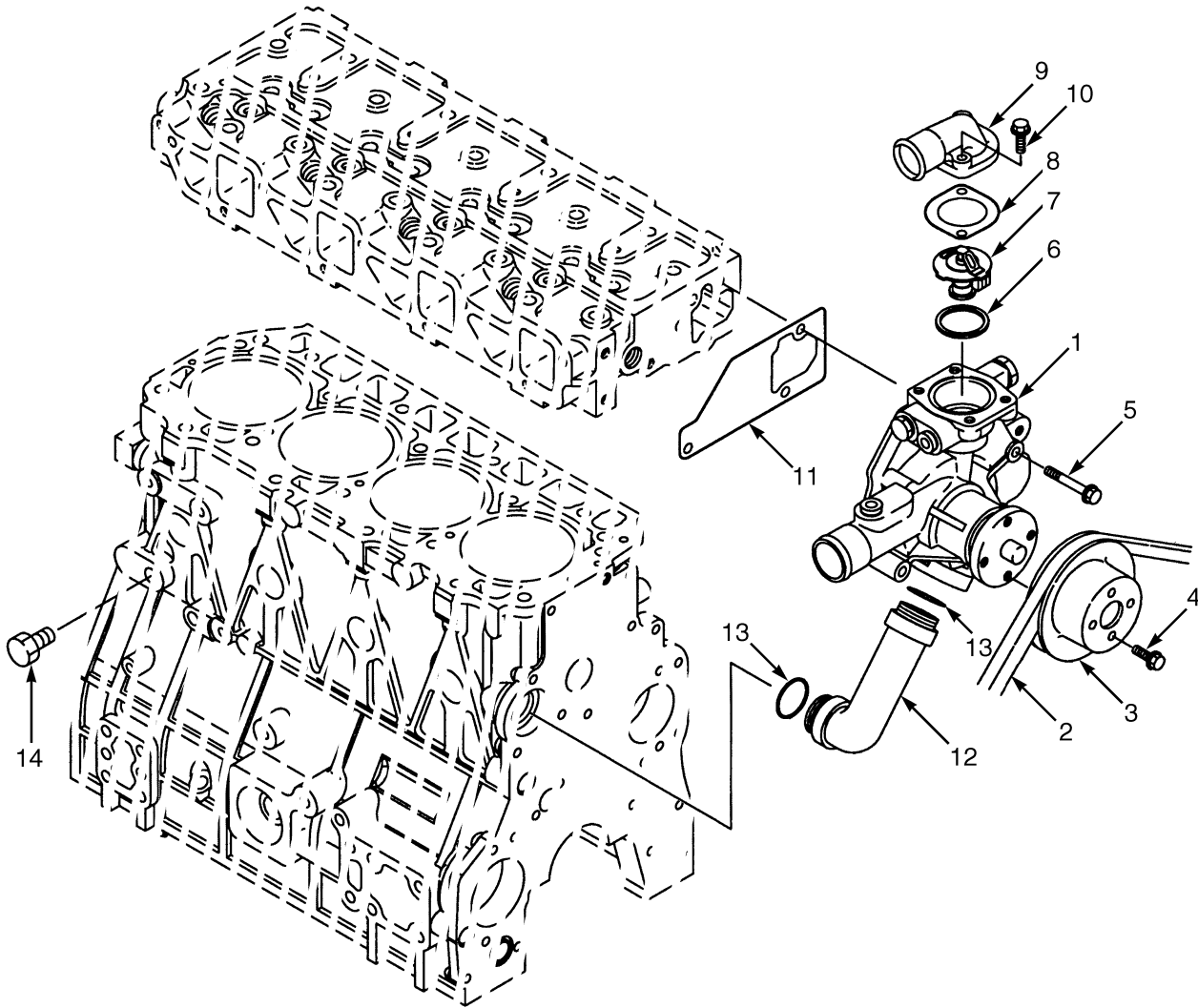


BP090187

**CRANKSHAFT AND PISTONS**  
**YANMAR 2.6L , 3.0L AND 3.3L, DIESEL**

ITEM	PART NO.	DESCRIPTION	QTY
	4626066	Engine Assy-Diesel (Yanmar 2.6L Non-Emissions) .....	1
	4626064	Engine Assy-Diesel (Yanmar 3.3L Non-Emissions) .....	1
	4620796	Engine Assy-Diesel (Yanmar 3.0L) .....	1
1	1599592	Piston (With Standard Rings) (2.6L) .....	4
1	1600276	Piston (With Standard Rings) (3.3L) .....	4
1	1599600	Kit-Piston (O/S 0.25 with Rings) (2.6L) .....	4
1	1600278	Piston (O/S 0.25 with Rings) (3.3L) .....	4
1	4068197	Piston (With Standard Rings) (3.0L) .....	4
1	4068199	Piston (O/S 0.25 with Rings) (3.0L) .....	4
2	1599593	Kit-Piston Ring (Standard) (2.6L) .....	1
2	1600277	Kit-Piston Ring (Standard) (3.3L) .....	1
2	1599601	Kit-Piston Ring (O/S 0.25) (2.6L) .....	1
2	1600279	Kit-Piston Ring (O/S 0.25) (3.3L) .....	1
2	4068198	Ring (Kit-Standard Piston Rings) (3.0L) .....	1
2	4068200	Ring (Kit-OS 0.25 Piston Rings) (3.0L) .....	1
3	1599595	Snap Ring .....	8
4	1599594	Pin .....	4
5	1599596	Piston Rod .....	4
6	1599597	Bushing .....	1
7	2092550	Piston Rod Bearing (Standard) .....	1
7	2092551	Bearing (U/S 0.25) .....	4
8	1599598	Bolt .....	2
9	1599583	Crankshaft (2.6L) .....	1
9	1600275	Crankshaft (3.3L) .....	1
9	2084471	Crankshaft (3.0L) .....	1
10	1599584	Gear (2.6, 3.3L) .....	1
10	2084322	Gear (3.0L) .....	1
11	1599574	Key .....	1
12	1599585	Pin .....	1
13	1599586	Pin .....	1
14	1599590	Bolt (2.6, 3.3L) .....	1
14	1720462	Bolt (3.0L) .....	1
15	1599589	Washer .....	1
16	1599588	Pulley .....	1
17	1707341	Flywheel .....	1
18	1599591	Bolt .....	6

## ENGINE COOLING (FIGURE 3-15) YANMAR 2.6L , 3.0L AND 3.3L, DIESEL



BP090193

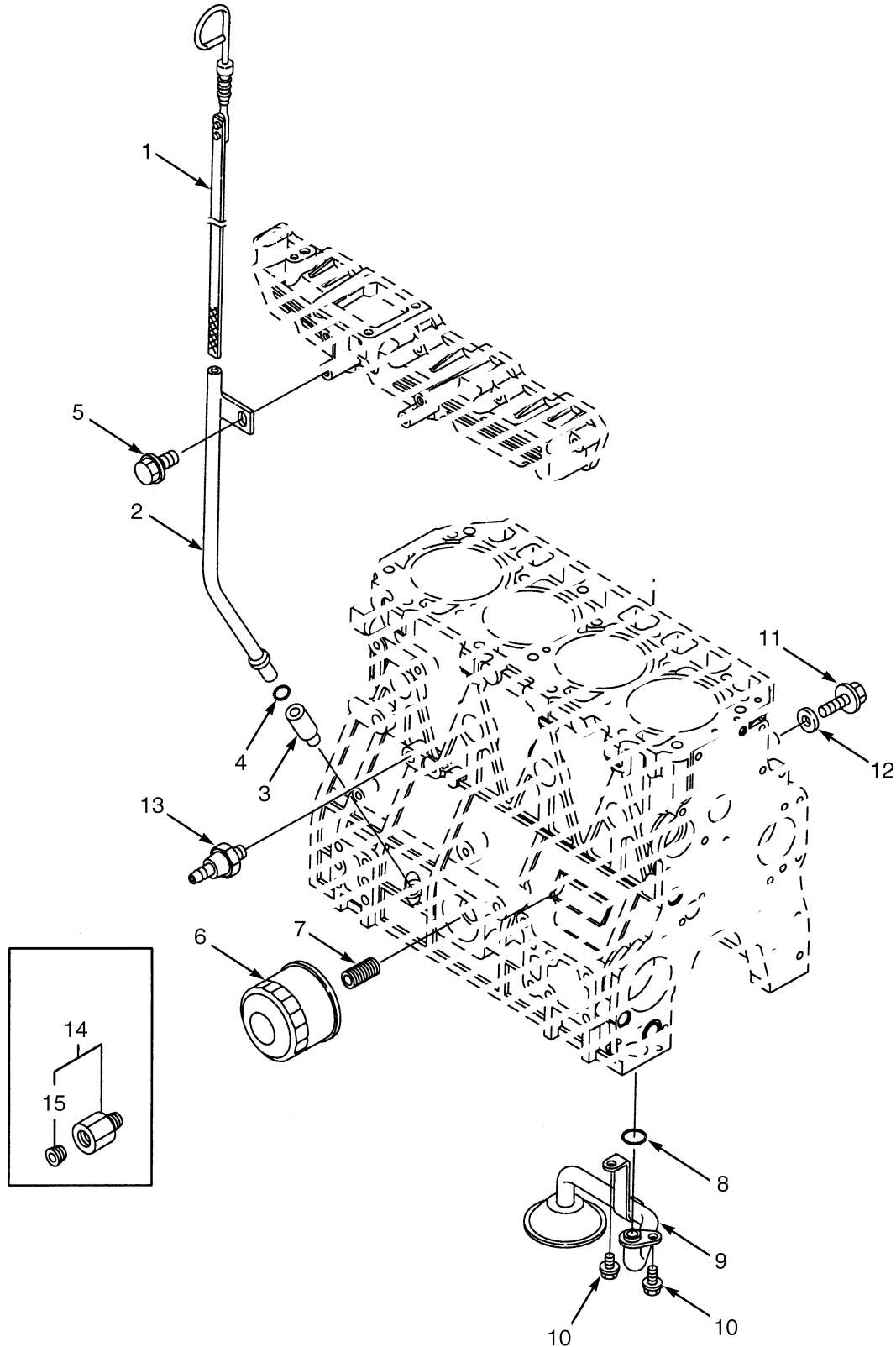
**ENGINE COOLING**  
**YANMAR 2.6L , 3.0L AND 3.3L, DIESEL**

ITEM	PART NO.	DESCRIPTION	QTY
	4626066	Engine Assy-Diesel (Yanmar 2.6L Non-Emissions) .....	1
	4626064	Engine Assy-Diesel (Yanmar 3.3L Non-Emissions) .....	1
	4620796	Engine Assy-Diesel (Yanmar 3.0L) .....	1
1	1599804	Water Pump .....	1
1	<b>a</b> 1599815	Gasket .....	1
1	<b>a</b> 1600086	Seal .....	1
2	1581441	V-Belt .....	1
3	1616427	Water Pump Pulley .....	1
4	1599448	Bolt .....	4
5	1599579	Bolt .....	3
6	1597709	Gasket .....	1
7	1599800	Thermostat (2.6L, 3.3L) .....	1
7	4068202	Thermostat (3.0L) .....	1
8	1597710	Gasket .....	1
9	1599798	Cover .....	1
10	1599801	Bolt .....	1
11	1599803	Gasket .....	1
12	1599797	Pipe .....	1
13	1599807	O-Ring .....	2
14	1599802	Drain Plug .....	2
	1599898	Kit-Gasket (2.6L Engine Complete) .....	1
	4068363	Gasket -Kit (3.0L) .....	1
	1689744	Kit-Gasket (Complete Engine) (3.3L) .....	1

**FOOTNOTES:**

**a** Not Illustrated

## LUBRICATION SYSTEM (FIGURE 3-16) YANMAR 2.6L , 3.0L AND 3.3L, DIESEL



BP090188

**LUBRICATION SYSTEM**  
**YANMAR 2.6L , 3.0L AND 3.3L, DIESEL**

ITEM	PART NO.	DESCRIPTION	QTY
	4626066	Engine Assy-Diesel (Yanmar 2.6L Non-Emissions) .....	1
	4626064	Engine Assy-Diesel (Yanmar 3.3L Non-Emissions) .....	1
	4620796	Engine Assy-Diesel (Yanmar 3.0L) .....	1
1	1599604	Dipstick .....	1
2	1599606	Dipstick Tube .....	1
3	1599605	Guide .....	1
4	1599607	O-Ring (2.6L, 3.3L) .....	1
4	4068201	O-Ring (3.0L) .....	1
5	1599470	Bolt .....	1
6	2077983	Oil Filter .....	1
7	1599610	Stud .....	1
8	1599468	O-Ring .....	1
9	1599611	Pipe .....	1
10	1599612	Bolt (2.6L, 3.3L) .....	2
10	1599448	Bolt (3.0L) .....	2
11	1599448	Bolt .....	1
12	1599445	Washer .....	1
13	1566654	Pressure Transducer Sensor (Oil Pressure) (2.6L, 3.3L) .....	1
13	1599613	Pressure Switch (Oil Pressure) (3.0L) .....	1
14	1599616	Plug (Oil Pressure Sensor) .....	1
15	1599793	Plug .....	1
	1599898	Kit-Gasket (2.6L Engine Complete) .....	1
	4068363	Gasket -Kit (3.0L) .....	1
	1689744	Kit-Gasket (Complete Engine) (3.3L) .....	1





**4**

**ENGINE ASSEMBLY-PSI**



**SECTION 4  
ENGINE ASSEMBLY-PSI**

<b>DESCRIPTION</b>	<b>PAGE</b>
BALANCER	
PSI 2.4L .....	4-54
CAB HEATER COOLANT	
PSI 2.4L .....	4-36
CAMSHAFT AND VALVES	
PSI 2.4L .....	4-52
COOLING SYSTEM	
2.4L PSI ENGINE .....	4-10
CYLINDER BLOCK	
PSI 2.4L .....	4-46
CYLINDER HEAD	
PSI 2.4L .....	4-44
DCR COOLANT CIRCUIT	
PSI 2.4L .....	4-37
DIPSTICK	
PSI 2.4L .....	4-33
ECM MOUNT	
PSI 2.4L .....	4-32
ENGINE ELECTRICAL	
PSI 2.4L .....	4-22
ENGINE MOUNTING	
PSI ENGINE .....	4-12
EXHAUST ADAPTER	
PSI 2.4L .....	4-34
EXHAUST MANIFOLD	
PSI 2.4L .....	4-40
EXHAUST SYSTEM	
COUNTERWEIGHT EXHAUST WITH CATALYTIC CONVERTER - PSI 2.4L LPG .....	4-8
OVERHEAD EXHAUST WITH CATALYTIC CONVERTER - PSI 2.4L LPG .....	4-4
OVERHEAD EXHAUST WITHOUT CATALYTIC CONVERTER - PSI 2.4L LPG .....	4-6
FRONT COVER AND OIL PAN	
PSI 2.4L .....	4-48
FRONT END AUXILIARY DRIVE	
PSI 2.4L .....	4-14
FUEL REGULATING SYSTEM	
PSI 2.4L .....	4-30
IGNITION COIL	
PSI 2.4L .....	4-18
INLET HOUSING	
PSI 2.4L .....	4-35
INTAKE MANIFOLD	
PSI 2.4L .....	4-38
LOCK-OFF VALVE	
PSI 2.4L .....	4-28
MIXER/EPR AND PCV AIR HOSES	
PSI 2.4L .....	4-24
OIL PUMP AND FILTER	
PSI 2.4L .....	4-56

**SECTION 4  
ENGINE ASSEMBLY-PSI**

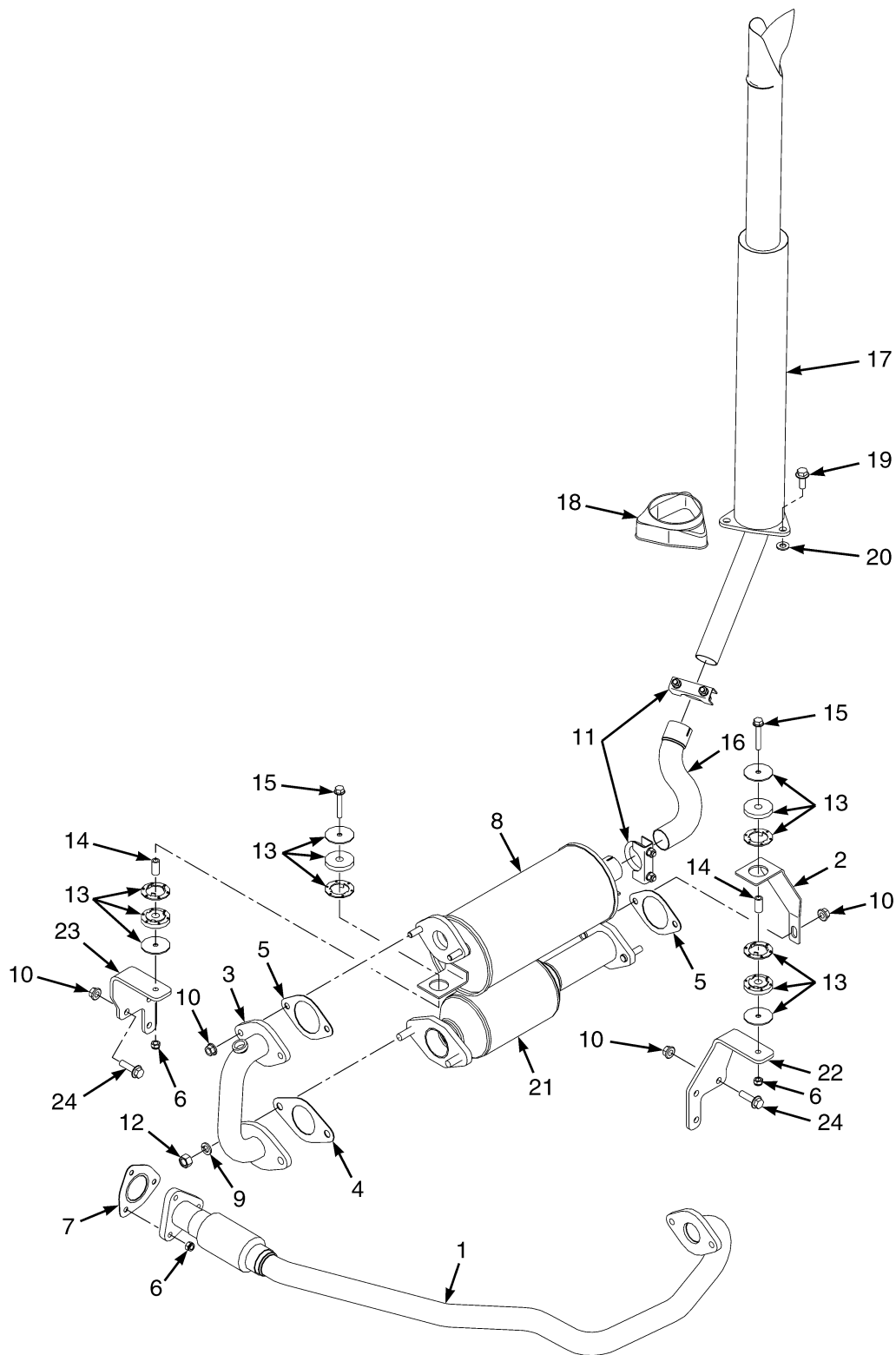
---

<b>DESCRIPTION</b>	<b>PAGE</b>
PISTON AND CRANKSHAFT	
PSI 2.4L .....	4-50
ROCKER COVER	
PSI 2.4L .....	4-42
STARTER	
PSI 2.4L .....	4-20
THROTTLE BODY	
PSI 2.4L .....	4-26
TRANSMISSION INTERFACE	
PSI 2.4L .....	4-16
WATER PUMP	
PSI 2.4L .....	4-58

---



## EXHAUST SYSTEM (FIGURE 4-1) OVERHEAD EXHAUST WITH CATALYTIC CONVERTER — PSI 2.4L LPG

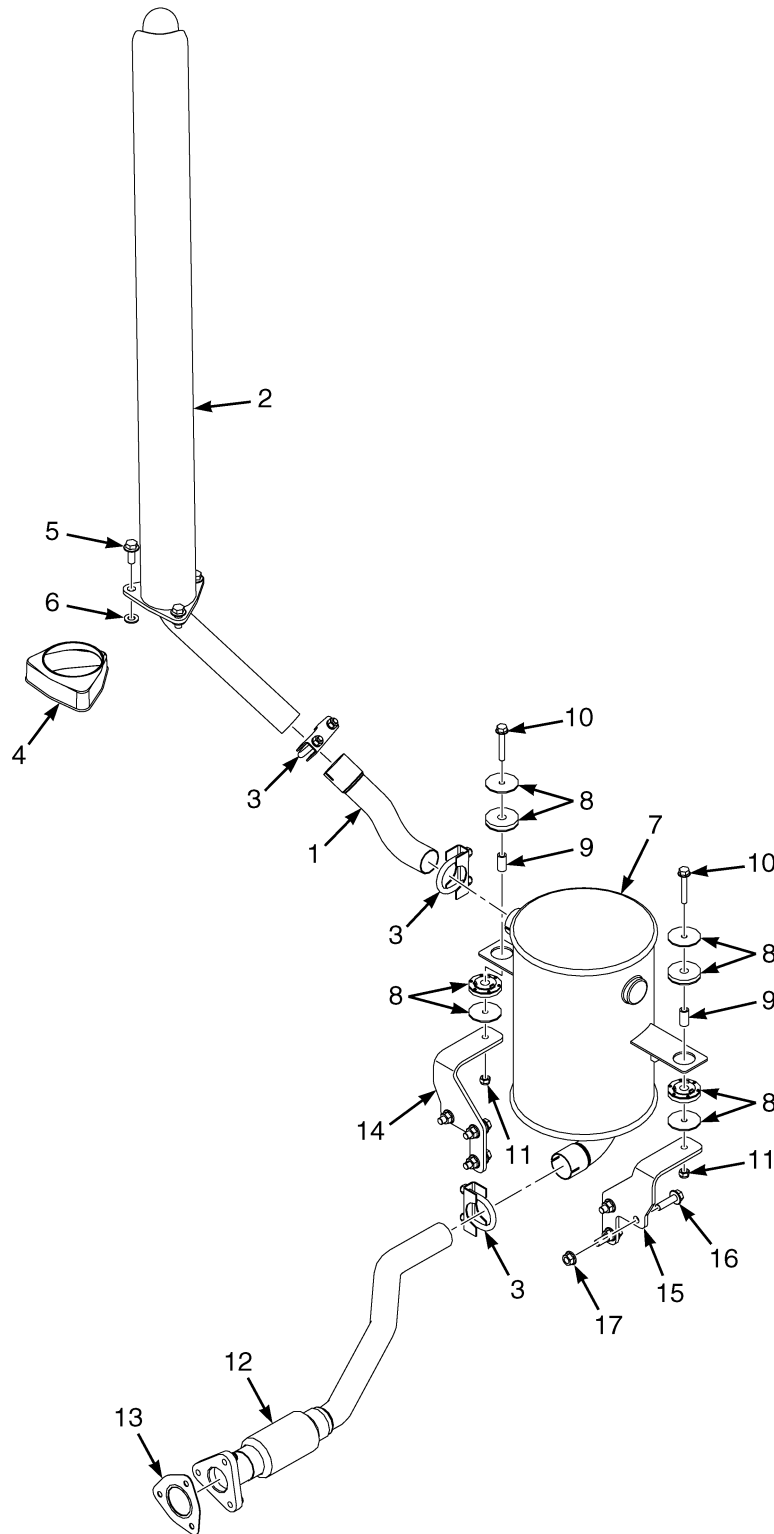


BP110125

**EXHAUST SYSTEM**  
**OVERHEAD EXHAUST WITH CATALYTIC CONVERTER – PSI 2.4L LPG**

ITEM	PART NO.	DESCRIPTION	QTY
1	4073967	Exhaust Pipe .....	1
2	1532523	Bracket .....	1
3	1636409	Exhaust Pipe .....	1
4	4086500	Gasket .....	1
5	4086499	Gasket .....	2
6	1582222	Locknut .....	5
7	4110365	Gasket .....	1
8	2089895	Muffler (Crimped) .....	1
9	292683	Lockwasher .....	2
10	1460477	Nut .....	10
11	63117	Clamp .....	2
12	1469405	Nut .....	2
13	1709996	Isolator .....	4
14	1708371	Spacer .....	2
15	1510115	Capscrew .....	2
16	1533863	Exhaust Pipe .....	1
17	4051418	Tail Pipe .....	1
18	2021394	Cover .....	1
19	1510117	Capscrew .....	3
20	320159	Washer .....	3
21	4060812	Catalytic Converter .....	1
22	4057201	Bracket (RH) .....	1
23	4057202	Bracket (LH) .....	1
24	1527885	Capscrew .....	6

## EXHAUST SYSTEM (FIGURE 4-2) OVERHEAD EXHAUST WITHOUT CATALYTIC CONVERTER — PSI 2.4L LPG



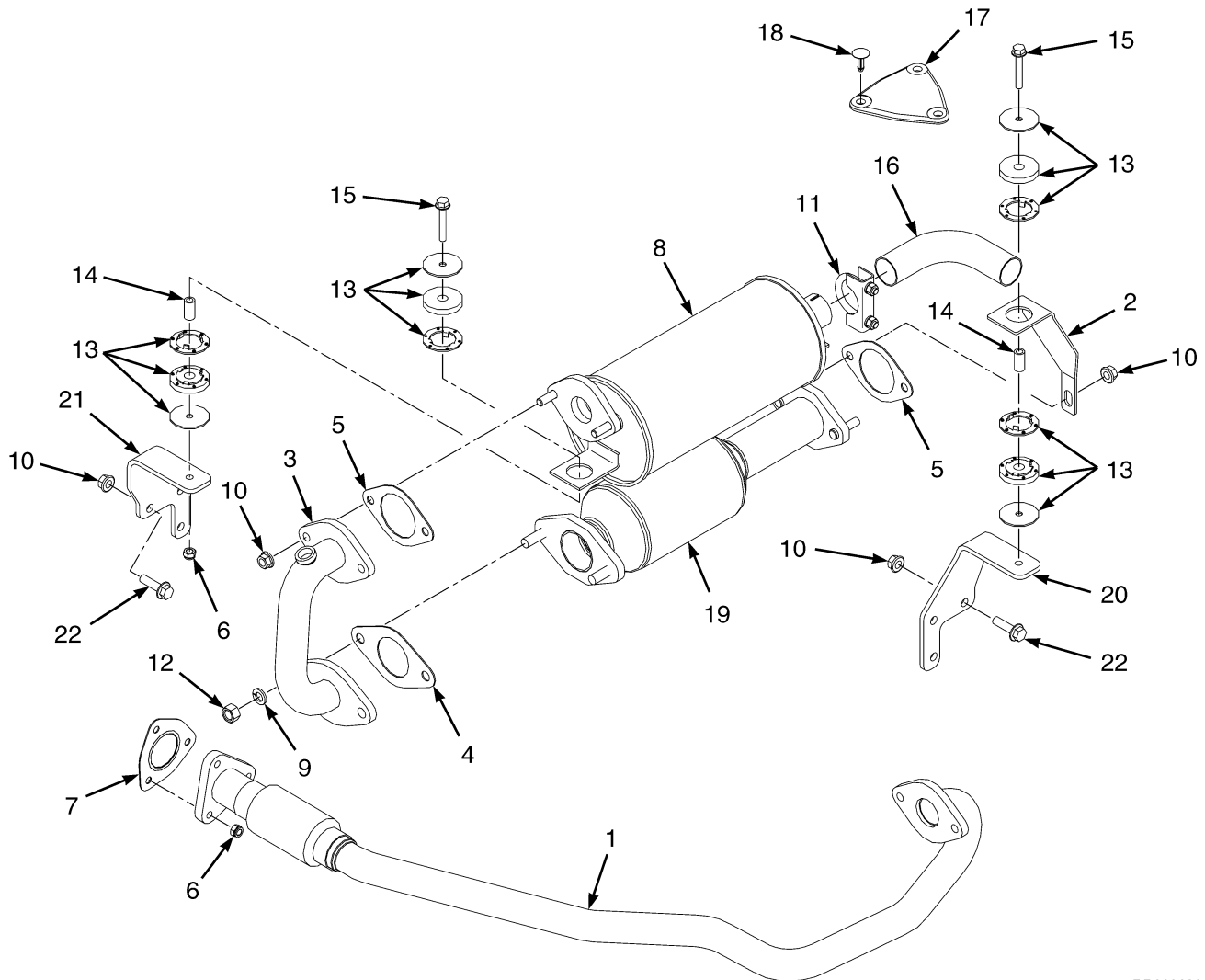
BP110129



**EXHAUST SYSTEM**  
**OVERHEAD EXHAUST WITHOUT CATALYTIC CONVERTER – PSI 2.4L LPG**

ITEM	PART NO.	DESCRIPTION	QTY
1	4612595	Exhaust Pipe .....	1
2	4051418	Tail Pipe .....	1
3	63117	Clamp .....	3
4	2021394	Cover .....	1
5	1510117	Capscrew .....	3
6	320159	Washer .....	3
7	4613003	Muffler .....	1
8	1709996	Isolator .....	4
9	1708371	Spacer .....	2
10	1510115	Capscrew .....	2
11	1582222	Locknut .....	5
12	4074547	Exhaust Pipe .....	1
13	4110365	Gasket .....	1
14	4057201	Bracket (RH) .....	1
15	4057202	Bracket (LH) .....	1
16	1527885	Capscrew .....	6
17	1460477	Nut .....	6

## EXHAUST SYSTEM (FIGURE 4-3) COUNTERWEIGHT EXHAUST WITH CATALYTIC CONVERTER — PSI 2.4L LPG

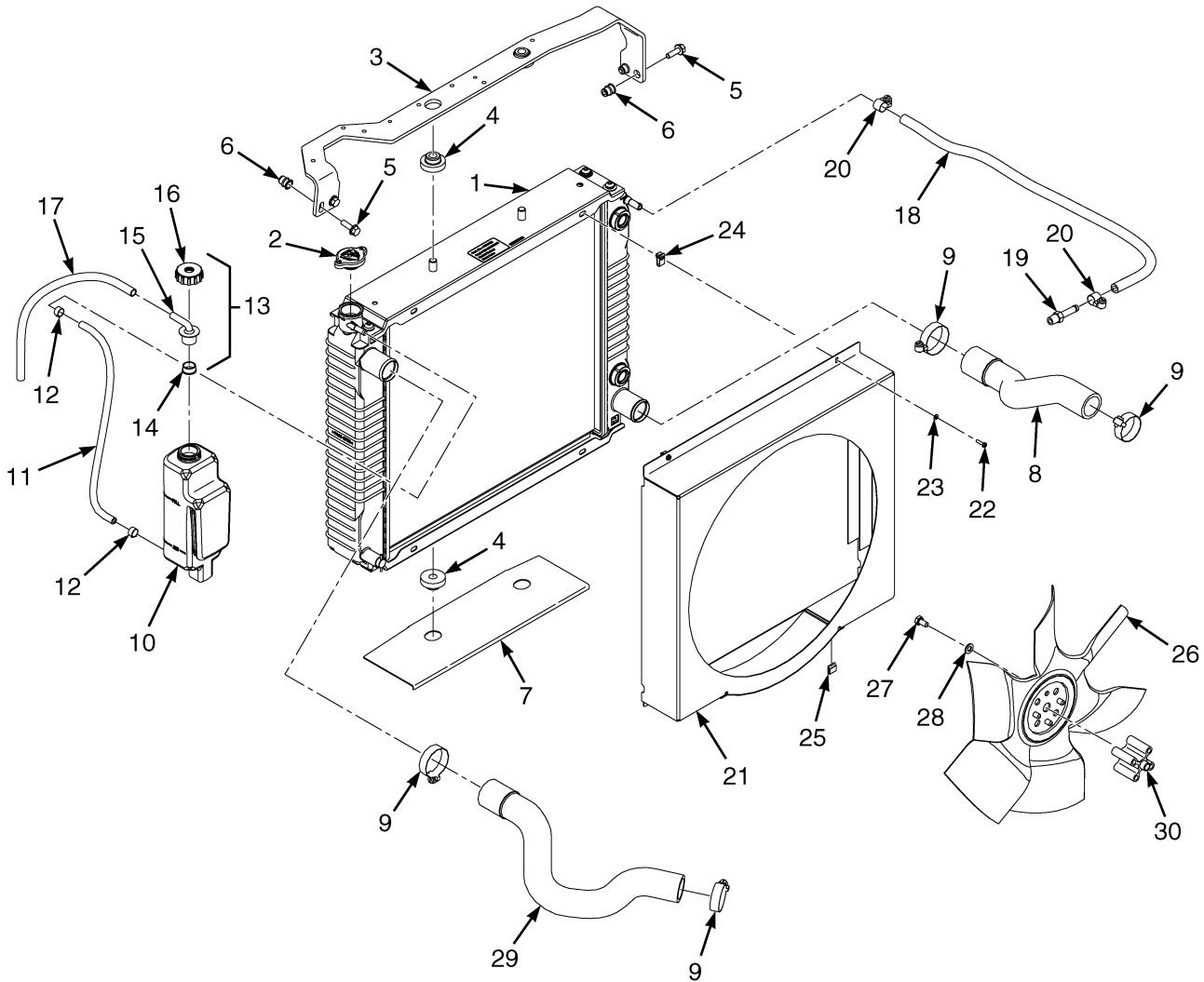


BP110126

**EXHAUST SYSTEM**  
**COUNTERWEIGHT EXHAUST WITH CATALYTIC CONVERTER – PSI 2.4L LPG**

ITEM	PART NO.	DESCRIPTION	QTY
1	4073967	Exhaust Pipe .....	1
2	1532523	Bracket .....	1
3	1636409	Exhaust Pipe .....	1
4	4086500	Gasket .....	1
5	4086499	Gasket .....	1
6	1582222	Locknut .....	5
7	4110365	Gasket .....	1
8	2089895	Muffler (Crimped) .....	1
9	292683	Lockwasher .....	2
10	1460477	Nut .....	10
11	63117	Clamp .....	1
12	1469405	Nut .....	2
13	1709996	Isolator .....	4
14	1708371	Spacer .....	2
15	1510115	Capscrew .....	2
16	1589312	Exhaust Pipe .....	1
17	1533639	Cover .....	1
18	1347045	Fastener .....	3
19	4060812	Catalytic Converter .....	1
20	4057201	Bracket (RH) .....	1
21	4057202	Bracket (LH) .....	1
22	1527885	Capscrew .....	6

## COOLING SYSTEM (FIGURE 4-4) 2.4L PSI ENGINE

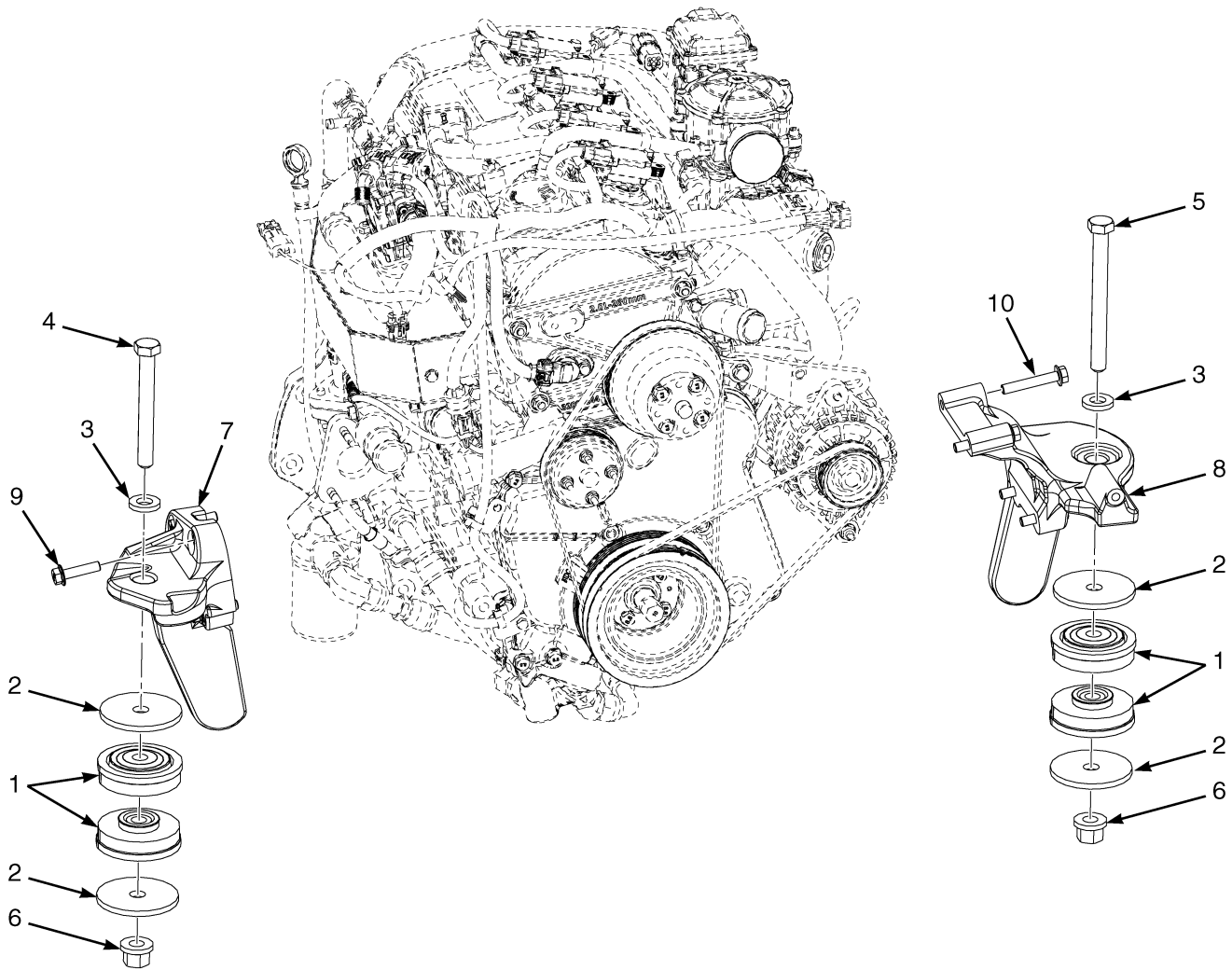


BP060123

**COOLING SYSTEM  
2.4L PSI ENGINE****KEY:****A: 2 Row****B: 3 Row**

ITEM	PART NO.	DESCRIPTION	QTY	
			A	B
1	4628076	Radiator Assembly .....	1	..
1	4123880	Radiator .....	1	..
1	4628074	Radiator Assembly .....	..	1
1	4123881	Radiator .....	..	1
1	4038264	Drain Valve .....	1	1
1	4038266	Bolt .....	8	8
2	1352140	Radiator Cap .....	1	1
3	4085711	Bracket .....	1	..
3	4085712	Bracket .....	..	1
4	1529787	Isolator .....	4	4
5	1527881	Capscrew .....	4	4
6	1530243	Insert .....	4	4
7	1565691	Exhaust Shield .....	1	..
7	1565692	Exhaust Shield .....	..	1
8	4627945	Radiator Hose .....	1	..
8	4628004	Radiator Hose .....	..	1
9	369804	Clamp .....	4	4
10	1633307	Reservoir .....	1	1
11	1567674	Hose .....	1	1
12	369815	Clamp .....	2	2
13	345455	Outlet Assembly .....	1	1
14	336550	Bushing .....	1	1
15	345453	Outlet (Reservoir) .....	1	1
16	345454	Cap .....	1	1
17	1663877	Hose .....	1	1
18	4628432	Hose .....	1	1
19	.....	Fitting .....	1	1
20	166857	Clamp .....	2	2
21	4629358	Shroud .....	1	..
21	4629359	Shroud .....	..	1
22	302023	Screw .....	2	2
23	320154	Washer .....	2	2
24	1535257	Nut .....	2	2
25	1329271	Clip .....	2	2
26	4618615	Fan .....	1	1
27	293622	Capscrew .....	4	4
28	296418	Washer .....	4	4
29	4625278	Radiator Hose .....	1	..
29	4625277	Radiator Hose .....	..	1
30	1377795	Spacer .....	1	1

## ENGINE MOUNTING (FIGURE 4-5) PSI ENGINE

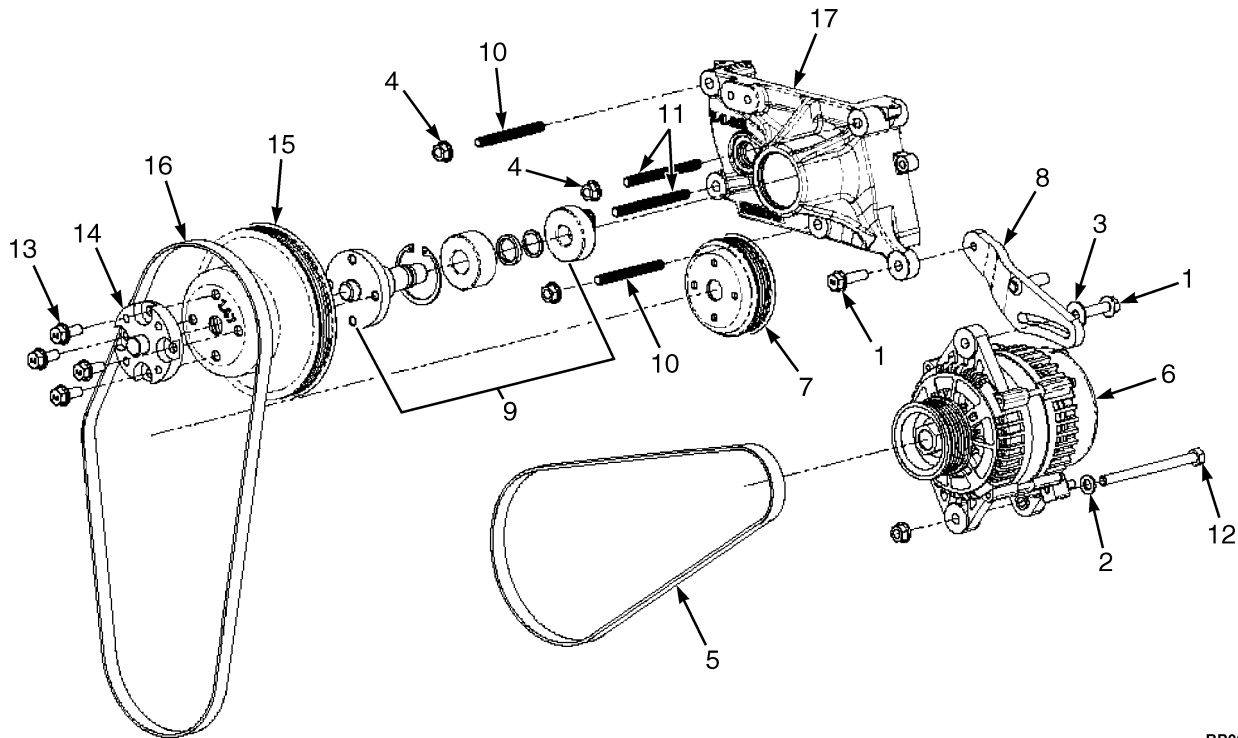


BP090690

**ENGINE MOUNTING  
PSI ENGINE**

<b>ITEM</b>	<b>PART NO.</b>	<b>DESCRIPTION</b>	<b>QTY</b>
1	2069951	Isolator .....	4
2	1557737	Washer .....	4
3	1504075	Washer .....	2
4	293698	Capscrew .....	1
5	293701	Capscrew .....	1
6	1565453	Nut (Flange) .....	2
7	4111657	Motor Mount (LH) .....	1
8	4111652	Motor Mount (RH) .....	1
9	4109995	Bolt .....	6
10	4111647	Bolt .....	2

## FRONT END AUXILIARY DRIVE (FIGURE 4-6) PSI 2.4L



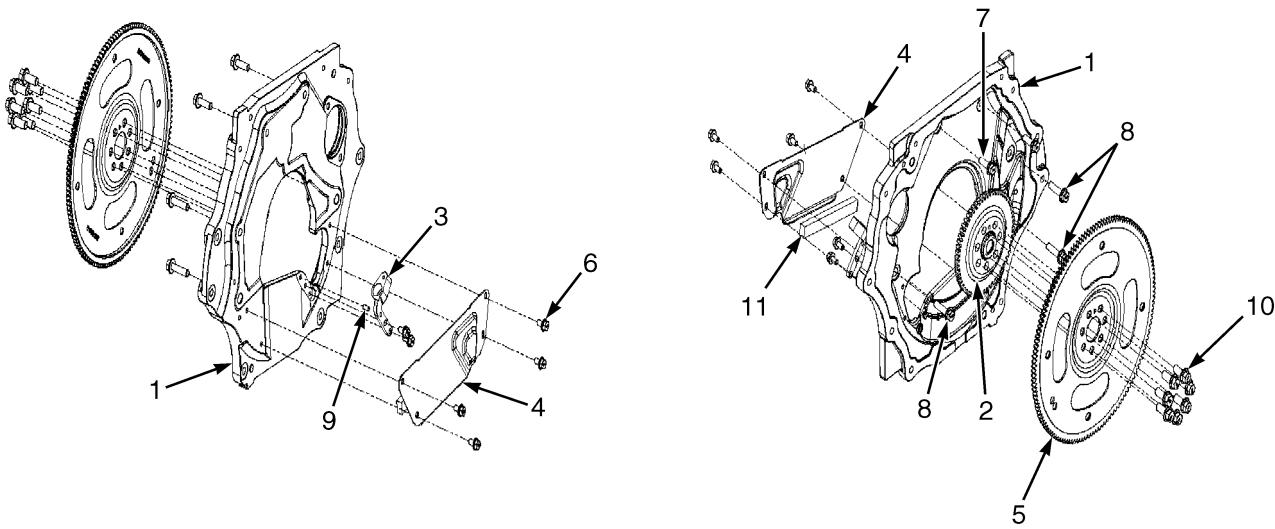
BP090704



**FRONT END AUXILIARY DRIVE  
PSI 2.4L**

ITEM	PART NO.	DESCRIPTION	QTY
	4122334	Long Block (PSI 2.4L) .....	1
1	4104446	Bolt .....	2
2	320157	Washer .....	1
3	18515	Washer .....	1
4	1502543	Nut (Flange) .....	4
5	4104447	Belt .....	1
6	4104442	Alternator .....	1
7	4104448	Pulley .....	1
8	4104449	Bracket .....	1
9	4104450	Shaft (HI-Fan) .....	1
10	4104451	Stud .....	2
11	4104452	Stud .....	2
12	4111042	Bolt .....	1
13	4104477	Bolt .....	4
14	4104478	Spacer .....	1
15	4109981	Fan Pulley .....	1
16	4109984	Belt .....	1
17	4109985	Cover (Fan Hub) .....	1

## TRANSMISSION INTERFACE (FIGURE 4-7) PSI 2.4L

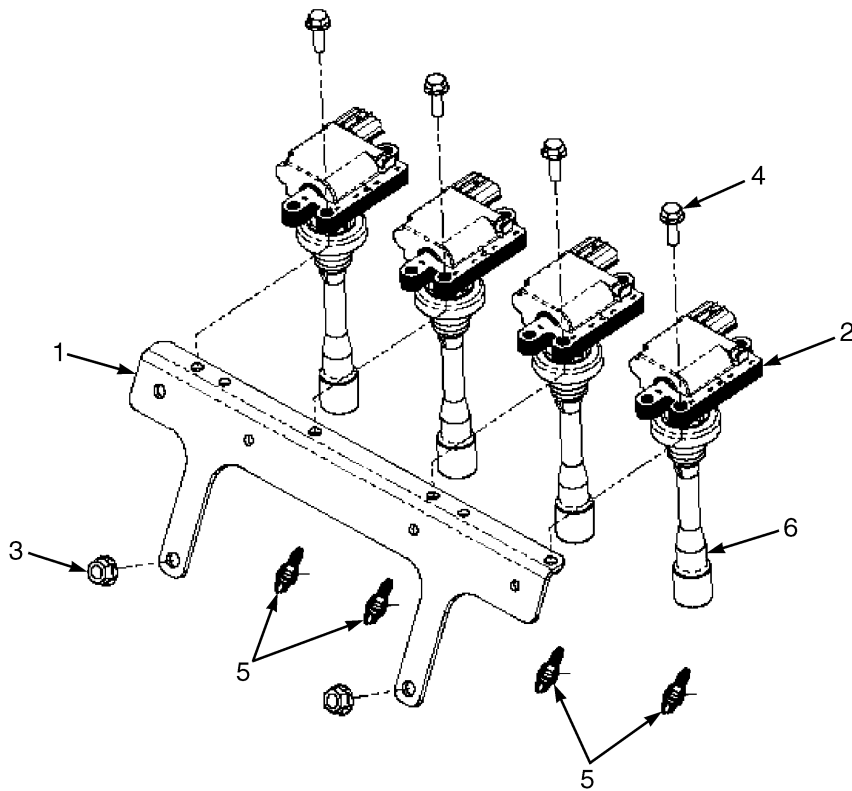


BP090706

**TRANSMISSION INTERFACE  
PSI 2.4L**

<b>ITEM</b>	<b>PART NO.</b>	<b>DESCRIPTION</b>	<b>QTY</b>
	4122334	Long Block (PSI 2.4L) .....	1
1	4109988	Adapter (Transmission) .....	1
2	4109989	Adapter (Crank to Flexplate) .....	1
3	4109990	Mount (Crank Sensor) .....	1
4	4109991	Cover -Dust .....	1
5	4109992	Flex Plate .....	1
6	<del>4109993</del> 1527879	Capscrew .....	6
7	4109994	Bolt .....	2
8	4109995	Bolt .....	3
9	4109996	Dowel Pin .....	1
10	4109997	Bolt .....	7
11	4109998	Tape .....	1

## IGNITION COIL (FIGURE 4-8) PSI 2.4L

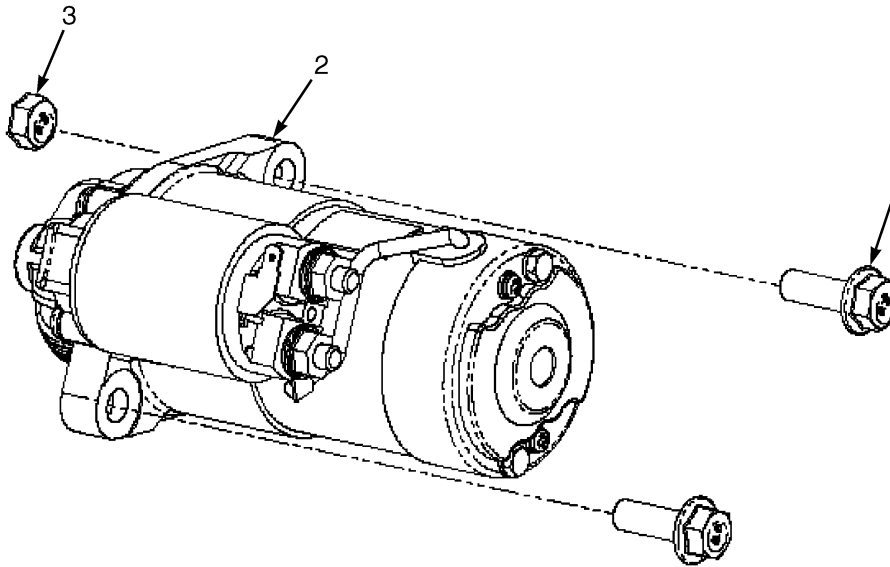


BP090707

**IGNITION COIL  
PSI 2.4L**

<b>ITEM</b>	<b>PART NO.</b>	<b>DESCRIPTION</b>	<b>QTY</b>
	4122334	Long Block (PSI 2.4L) .....	1
1	4110027	Bracket .....	1
2	4110028	Ignition Coil .....	4
3	1502543	Nut (Flange) .....	2
4	4110029	Bolt .....	4
5	4110030	Spark Plug .....	4
6	4110031	Boot .....	4

## STARTER (FIGURE 4-9) PSI 2.4L

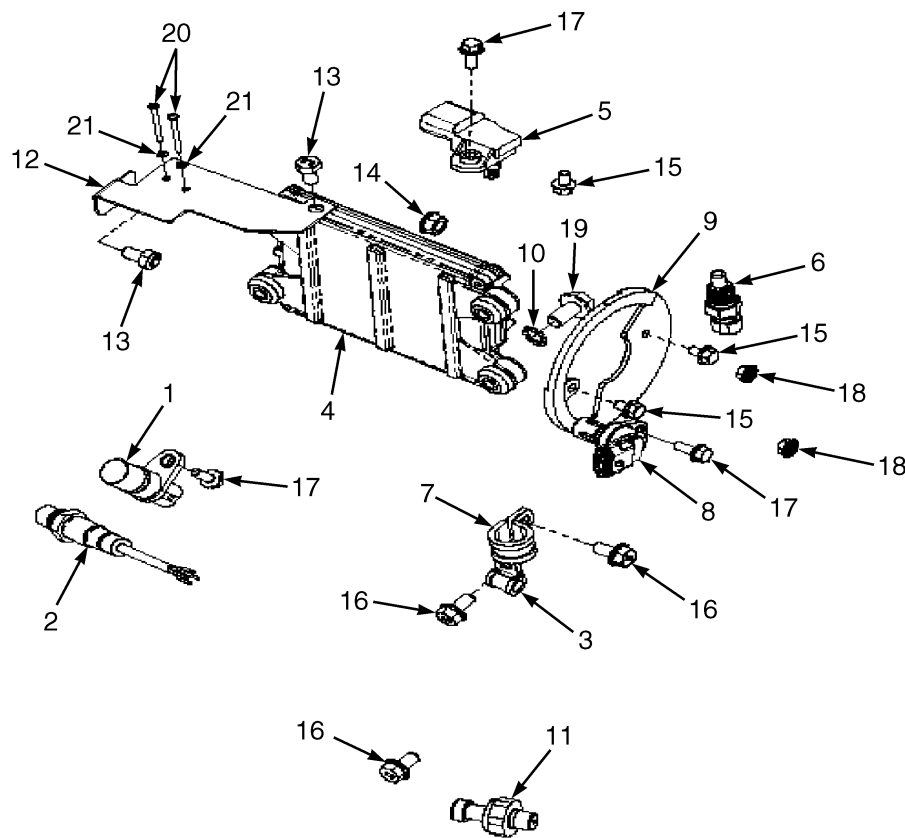


BP090708

ITEM	PART NO.	DESCRIPTION	QTY
	4122334	Long Block (PSI 2.4L) .....	1
1	4110034	Bolt .....	2
2	4110035	Starter .....	1
3	1502543	Nut (Flange) .....	2



## ENGINE ELECTRICAL (FIGURE 4-10) PSI 2.4L



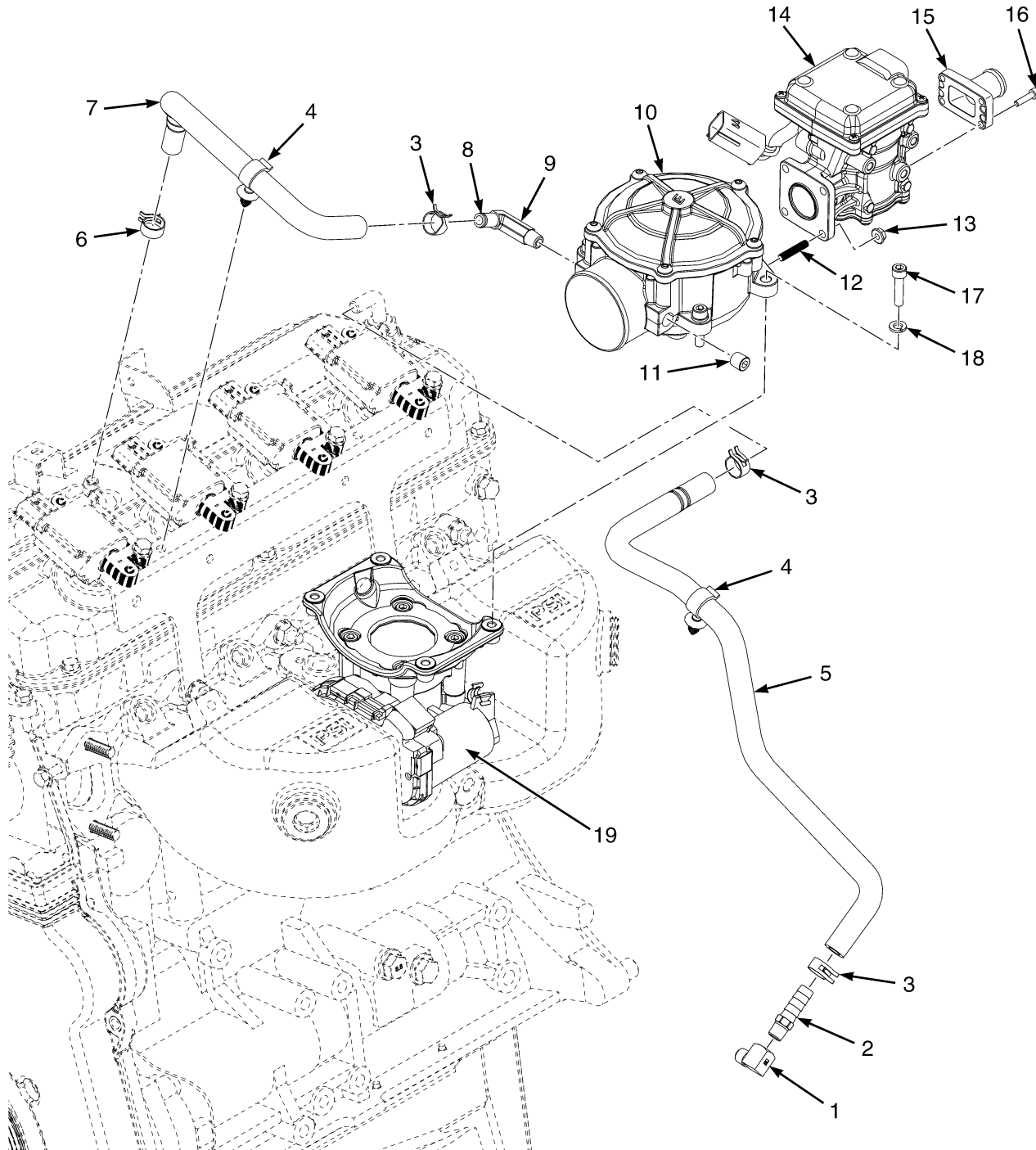
BP090709



**ENGINE ELECTRICAL**  
**PSI 2.4L**

ITEM	PART NO.	DESCRIPTION	QTY
	4122334	Long Block (PSI 2.4L) .....	1
1	4110038	Sensor (Speed Timing Wheel) .....	1
2	1646456	Sensor (Oxygen) .....	1
3	4110039	Clamp .....	1
4	4628224	Engine Control Module (2.4L Non Certified) .....	1
5	1559567	Sensor (Temperature manifold absolute pressure) .....	1
5	4042986	Seal .....	1
6	1314381	Temperature Sender (Coolant) .....	1
7	4110040	Clamp .....	1
8	4110041	Sensor (Phase) .....	1
9	4110042	Sensor (Cam Wheel) .....	1
10	4104445	Washer .....	1
11	4104443	Pressure Sender (Oil Pressure) .....	1
12	4110043	Bracket .....	1
13	4110037	Bolt .....	1
14	1502543	Nut (Flange) .....	1
15	4019051	Bolt .....	6
16	4109993		
	1527879	Capscrew .....	3
17	1527876	Capscrew .....	3
18	1514429	Nut .....	2
19	4110044	Bolt .....	1
20	4110045	Screw .....	2
21	4104444	Washer .....	2
	4628749	Wire Harness (Engine) (2.4L LPG) .....	1

## MIXER/EPR AND PCV AIR HOSES (FIGURE 4-11) PSI 2.4L

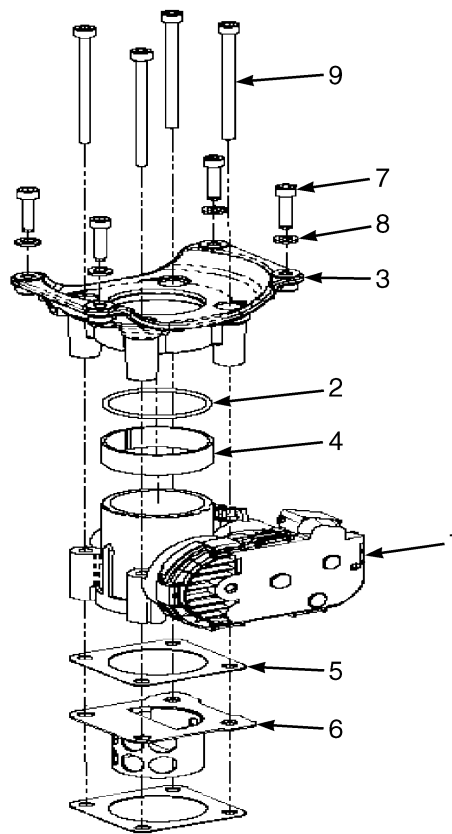


BP090744

**MIXER/EPR AND PCV AIR HOSES  
PSI 2.4L**

ITEM	PART NO.	DESCRIPTION	QTY
	4122334	Long Block (PSI 2.4L) .....	1
1	4110072	Fitting .....	1
2	4110071	Fitting .....	1
3	4019090	Clamp .....	3
4	4110082	Clip .....	2
5	4110074	Hose (Molded) .....	1
6	4110080	Clamp .....	1
7	4110081	Hose .....	1
8	4110078	Fitting .....	1
9	4110079	Fitting .....	1
10	<del>4097619</del>		
	4111124	Mixer-LPG .....	1
10	4111125	Kit-Repair .....	1
11	4019120	Plug .....	1
12	4019121	Stud .....	4
13	1565407	Nut .....	4
14	4019119	Regulator .....	1
15	4019118	Fitting .....	1
16	292672	Capscrew .....	4
17	4110065	Bolt .....	4
18	4110066	Washer .....	4
19	.....	Throttle Body Assembly (☞ Figure 4-12).....	1

**THROTTLE BODY (FIGURE 4-12)**  
PSI 2.4L

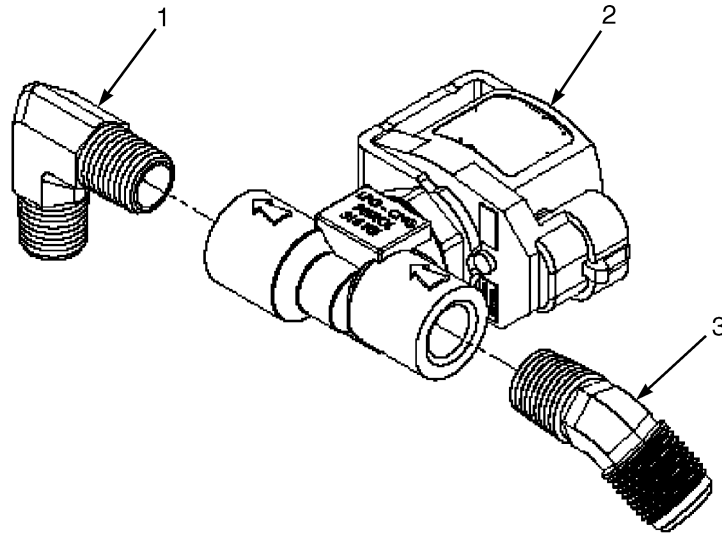


BP090710

**THROTTLE BODY**  
**PSI 2.4L**

<b>ITEM</b>	<b>PART NO.</b>	<b>DESCRIPTION</b>	<b>QTY</b>
	4122334	Long Block (PSI 2.4L) .....	1
1	4110059	Throttle Body .....	1
2	4110060	O-Ring .....	1
3	4110061	Adapter .....	1
4	4110062	Spacer .....	1
5	4110063	Gasket (Throttle Body) .....	2
6	4110064	Baffle .....	1
7	4110065	Bolt .....	4
8	4110066	Washer .....	4
9	159708	Capscrew .....	4

## LOCK-OFF VALVE (FIGURE 4-13) PSI 2.4L

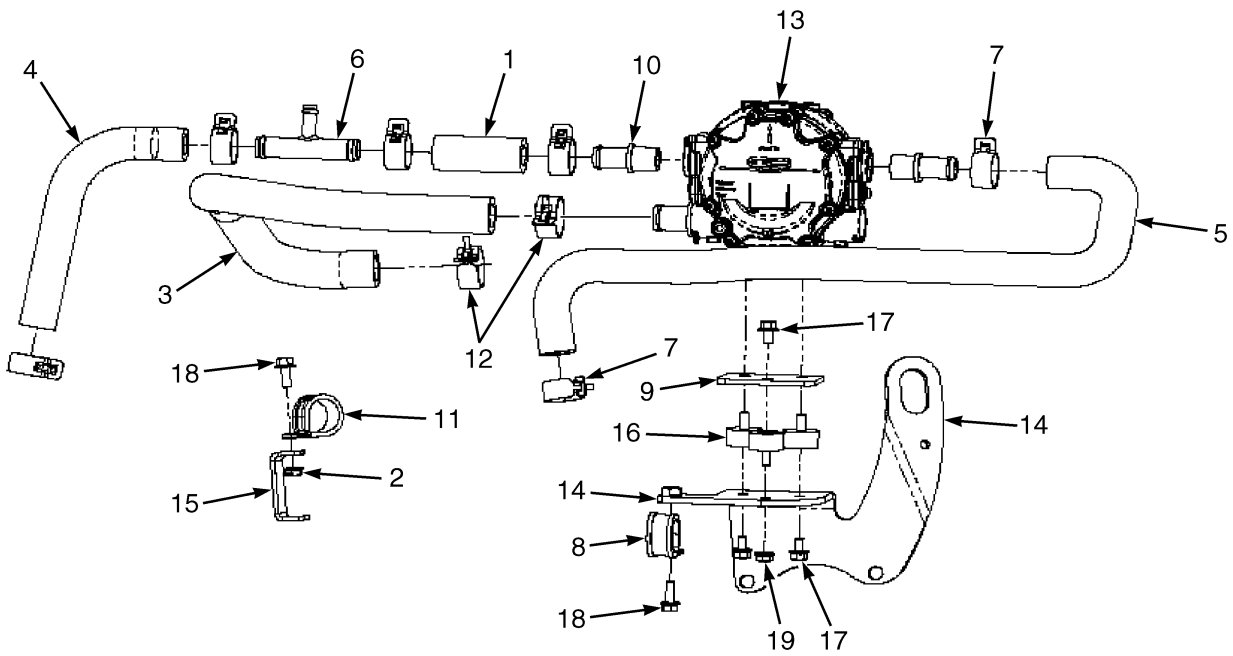


BP090714

ITEM	PART NO.	DESCRIPTION	QTY
	4122334	Long Block (PSI 2.4L) .....	1
1	4019019	Fitting .....	1
2	4112697		
	4099352	LPG Lock-Off .....	1
3	4112698	Fitting .....	1



## FUEL REGULATING SYSTEM (FIGURE 4-14) PSI 2.4L



BP090715



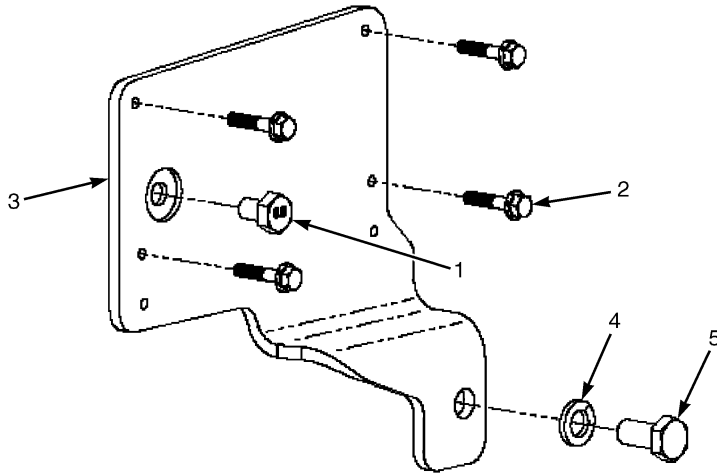
**FUEL REGULATING SYSTEM  
PSI 2.4L**

ITEM	PART NO.	DESCRIPTION	QTY
	4122334	Long Block (PSI 2.4L) .....	1
1	4110979	Hose .....	1
2	4111123	Nut .....	1
3	4111116	Hose .....	1
4	4111117	Hose .....	1
5	4111119	Hose .....	1
6	4111118	Connector (3-Way) (T-Fitting) .....	1
7	4019092	Clamp .....	6
8	4019102	Clamp .....	1
9	4111007	Bracket .....	2
10	4040259	Fitting .....	2
11	4111120	Clamp .....	1
12	4019099	Clamp .....	2
13	4040260	Regulator .....	1
13	4040288	Kit-Regulator Repair .....	1
14	4111121	Bracket .....	1
15	4111122	Bracket .....	1
16	4104453	Mount .....	3
17	4019051	Bolt .....	3
18	4111055	Bolt .....	2
19	1514429	Nut .....	1
	<b>a</b> 4111115	Conduit .....	AR

**FOOTNOTES:**

- a** Protective sleeve for item #3

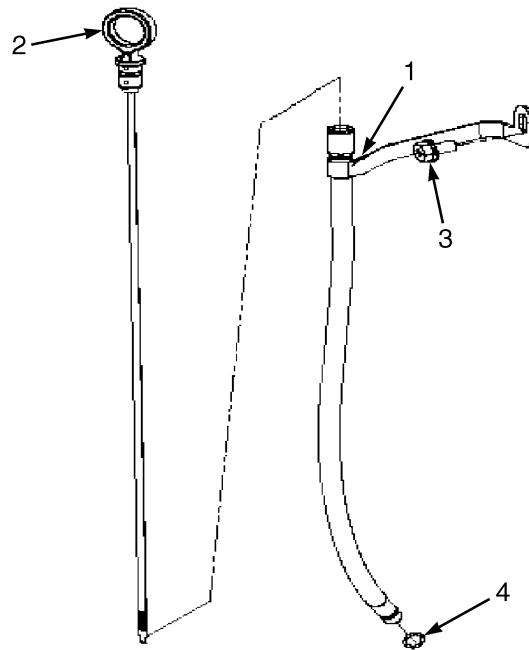
## ECM MOUNT (FIGURE 4-15) PSI 2.4L



BP090717

ITEM	PART NO.	DESCRIPTION	QTY
	4122334	Long Block (PSI 2.4L) .....	1
1	4111126	Bolt .....	1
2	4111127	Bolt .....	4
3	4111183	Mount .....	1
4	4111184	Bolt .....	1
5	4111185	Washer .....	1

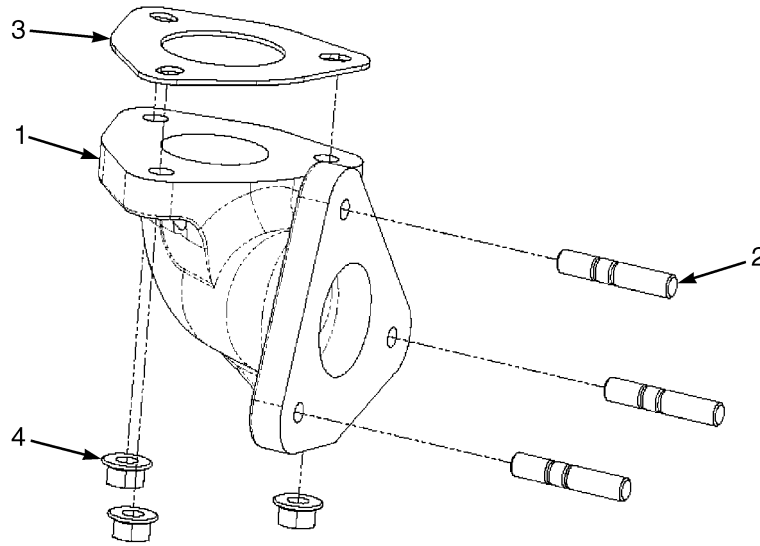
**DIPSTICK (FIGURE 4-16)**  
**PSI 2.4L**



BP090718

ITEM	PART NO.	DESCRIPTION	QTY
	4122334	Long Block (PSI 2.4L) .....	1
1	4111188	Dipstick Assembly .....	1
2	4111189	Dipstick .....	1
3	4109993		
	1527879	Capscrew .....	1
4	.....	O-Ring .....	1

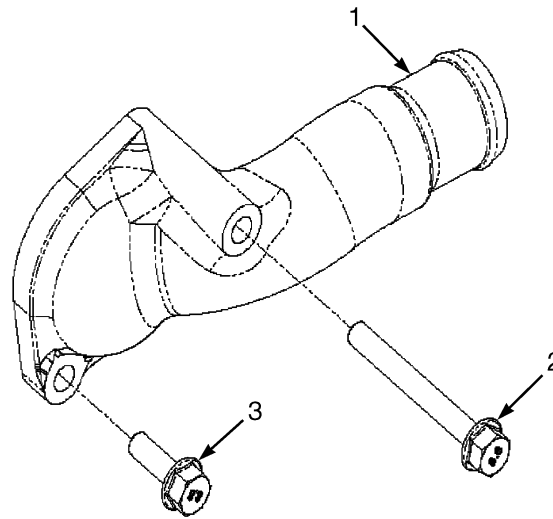
## EXHAUST ADAPTER (FIGURE 4-17) PSI 2.4L



BP090720

ITEM	PART NO.	DESCRIPTION	QTY
	4122334	Long Block (PSI 2.4L) .....	1
1	4111222	Elbow .....	1
2	4111228	Stud .....	3
3	4110365	Gasket .....	1
4	1502543	Nut (Flange) .....	3

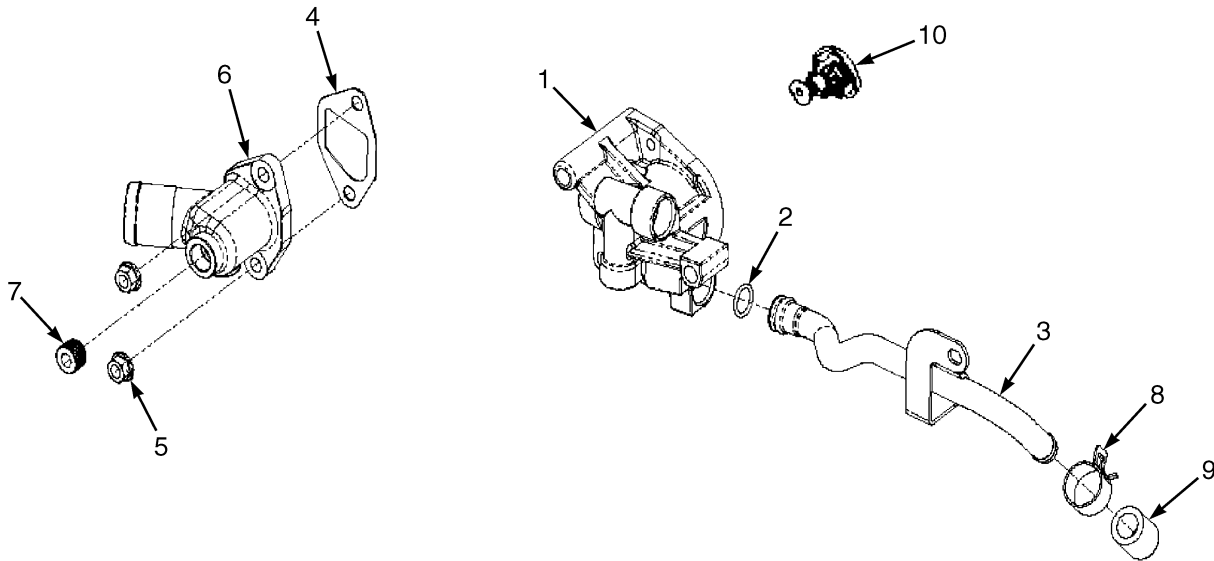
**INLET HOUSING (FIGURE 4-18)**  
**PSI 2.4L**



BP090722

ITEM	PART NO.	DESCRIPTION	QTY
	4122334	Long Block (PSI 2.4L) .....	1
1	4111234	Cover (Thermostat) .....	1
2	4111220	Bolt .....	1
3	4111235	Bolt .....	1

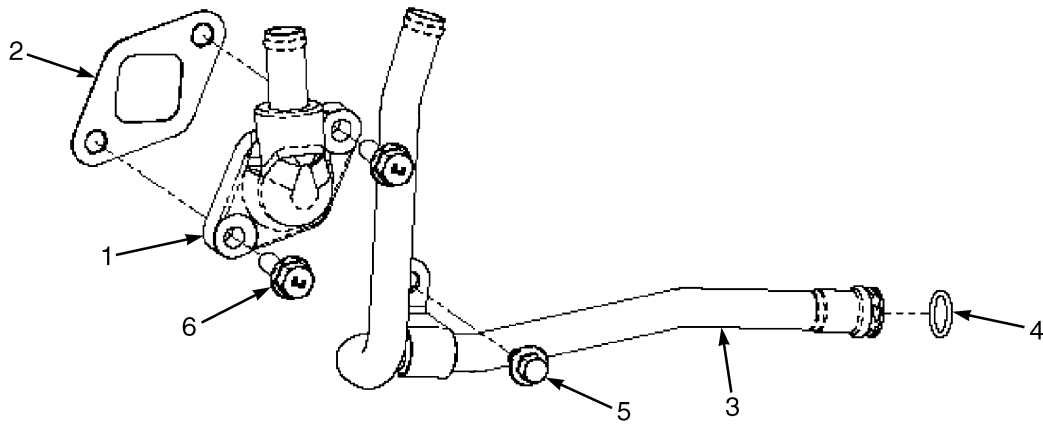
## CAB HEATER COOLANT (FIGURE 4-19) PSI 2.4L



BP090724

ITEM	PART NO.	DESCRIPTION	QTY
	4122334	Long Block (PSI 2.4L) .....	1
1	4111253	Thermostat Housing .....	1
2	4111252	O-Ring .....	1
3	4111255	Tube .....	1
4	4111232	Gasket .....	1
5	1502543	Nut (Flange) .....	2
6	4111256	Water Outlet .....	1
7	4111211	Plug .....	1
8	4050572	Cap (Rubber) .....	1
9	4019092	Clamp .....	1
10	4111238	Thermostat .....	1

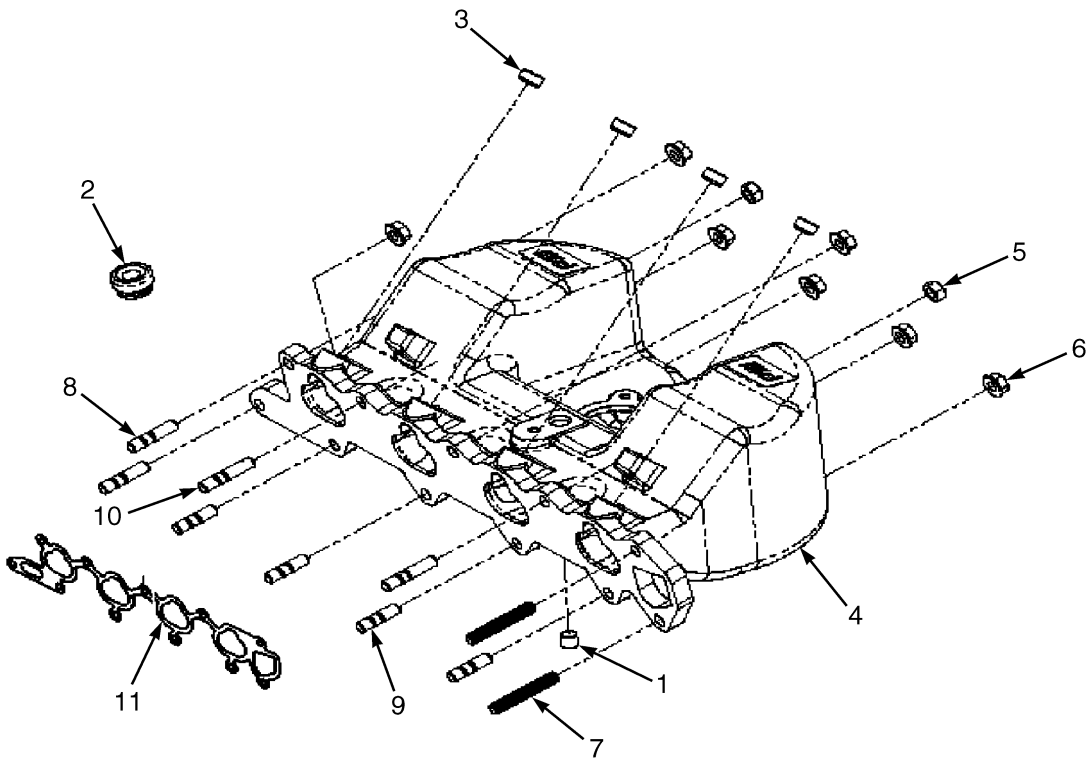
**DCR COOLANT CIRCUIT (FIGURE 4-20)**  
**PSI 2.4L**



BP090725

ITEM	PART NO.	DESCRIPTION	QTY
	4122334	Long Block (PSI 2.4L) .....	1
1	4111249	Water Outlet .....	1
2	4111250	Gasket .....	1
3	4111251	Tube .....	1
4	4111252	O-Ring .....	1
5	4019122	Bolt .....	1
6	4111235	Bolt .....	1

## INTAKE MANIFOLD (FIGURE 4-21) PSI 2.4L



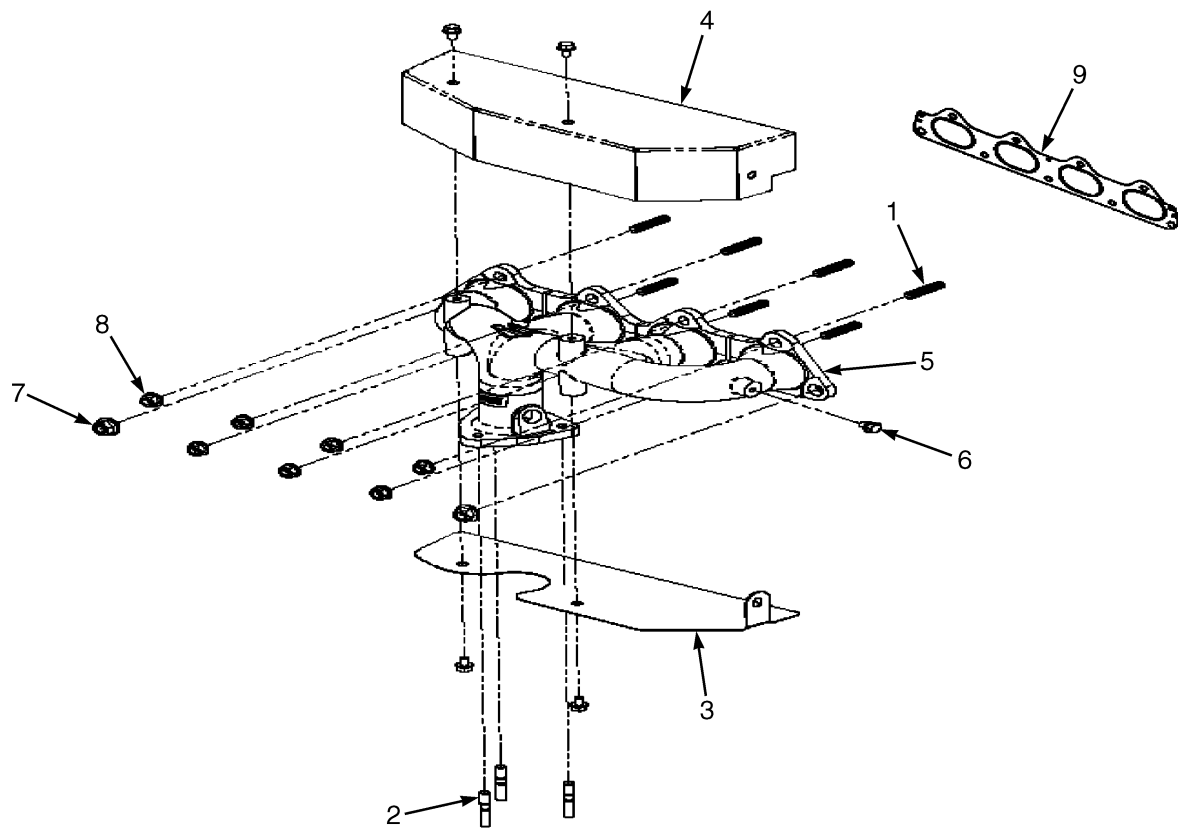
BP090726



**INTAKE MANIFOLD  
PSI 2.4L**

<b>ITEM</b>	<b>PART NO.</b>	<b>DESCRIPTION</b>	<b>QTY</b>
	4122334	Long Block (PSI 2.4L) .....	1
1	4019120	Plug .....	1
2	4111257	Grommet .....	1
3	4111258	Plug .....	4
4	4111259	Intake Manifold .....	1
5	4111260	Nut .....	2
6	1502543	Nut (Flange) .....	7
7	4111261	Stud .....	2
8	4111262	Stud .....	2
9	4111264	Stud .....	4
10	4111265	Stud .....	2
11	4111266	Gasket .....	1
	4112701	Kit-Gasket .....	1

**EXHAUST MANIFOLD (FIGURE 4-22)**  
PSI 2.4L

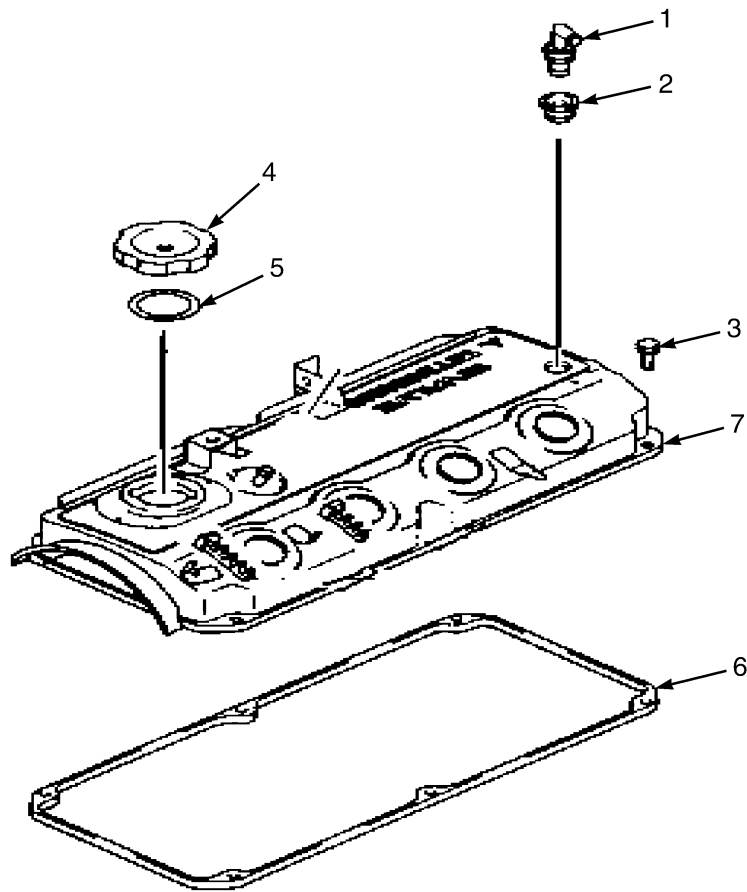


BP090728

**EXHAUST MANIFOLD  
PSI 2.4L**

<b>ITEM</b>	<b>PART NO.</b>	<b>DESCRIPTION</b>	<b>QTY</b>
	4122334	Long Block (PSI 2.4L) .....	1
1	4111269	Stud .....	7
2	4111228	Stud .....	3
3	4111270	Heat Shield .....	1
4	4111271	Heat Shield .....	1
5	4111272	Exhaust Manifold .....	1
6	4019051	Bolt .....	5
7	4111273	Bolt .....	7
8	4111274	Nut .....	2
9	4111275	Gasket .....	1
	4112701	Kit-Gasket (2.4L) .....	1

## ROCKER COVER (FIGURE 4-23) PSI 2.4L

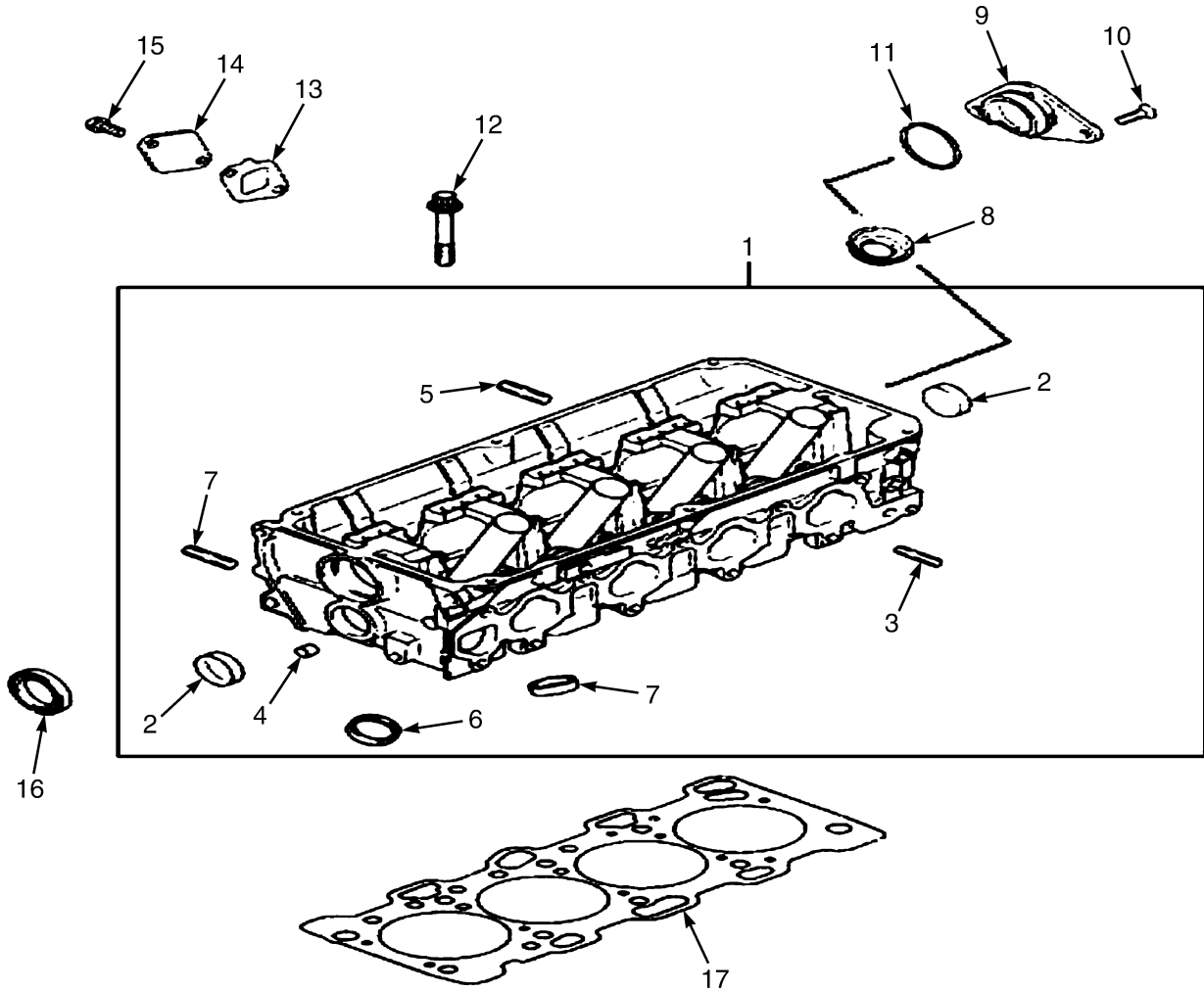


BP090732

**ROCKER COVER  
PSI 2.4L**

ITEM	PART NO.	DESCRIPTION	QTY
	4122334	Long Block (PSI 2.4L) .....	1
1	4111670	Pcv Valve .....	1
2	4111257	Grommet .....	1
3	4111671	Bolt .....	6
4	4111672	Cap (Oil Fill) .....	1
5	.....	Gasket .....	1
6	4111673	Gasket (Rocker Cover) .....	1
7	4111674	Engine Cover (Valve) .....	1
	4112701	Kit-Gasket .....	1

## CYLINDER HEAD (FIGURE 4-24) PSI 2.4L

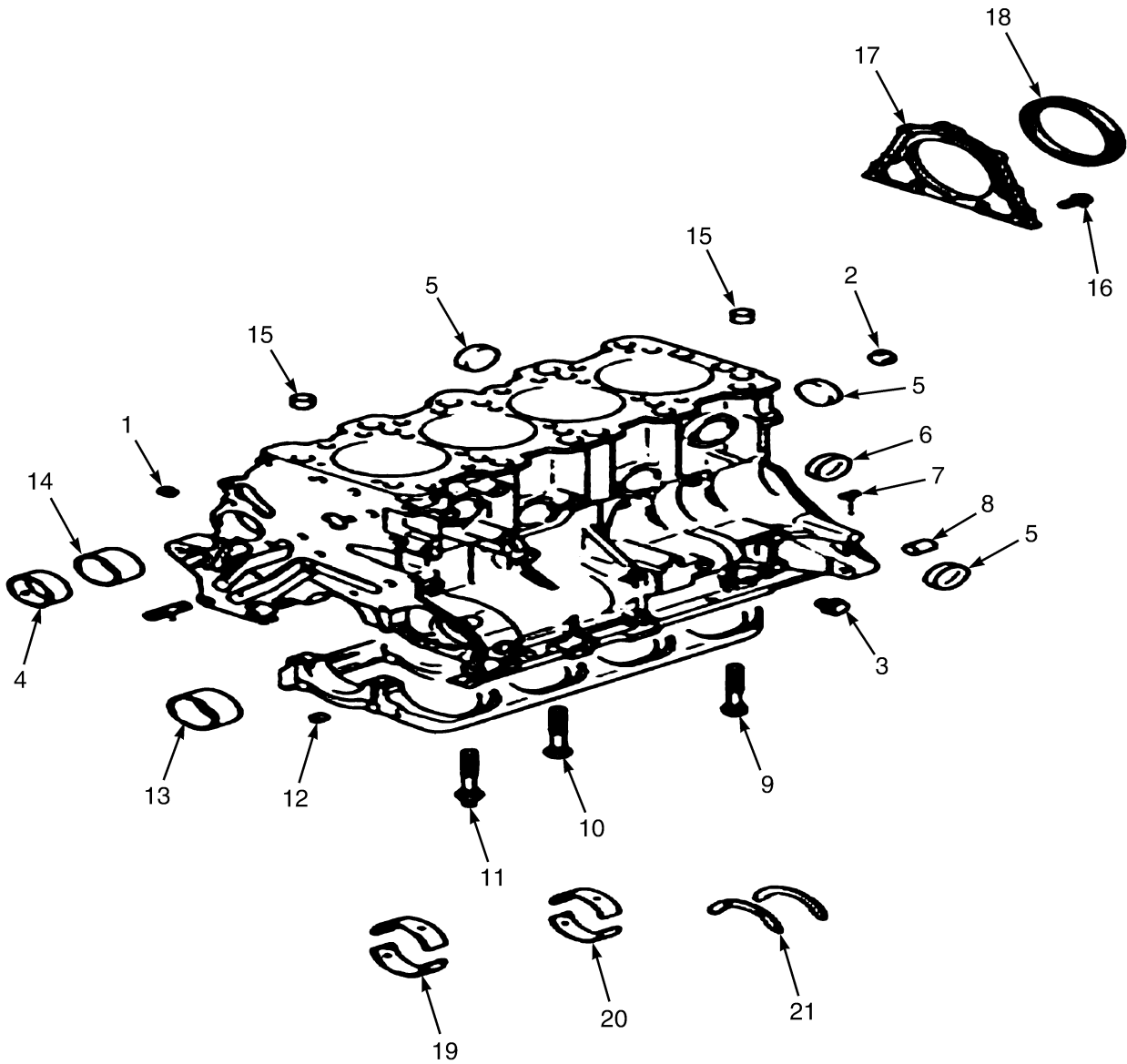


BP090733

**CYLINDER HEAD  
PSI 2.4L**

ITEM	PART NO.	DESCRIPTION	QTY
	4122334	Long Block (PSI 2.4L) .....	1
1	4111675	Cylinder Head .....	1
2	4111678	Cap .....	2
3	4111679	Stud .....	4
4	4111681	Bushing .....	2
5	4111682	Stud .....	3
6	.....	Exhaust Seat .....	1
7	.....	Intake Seat .....	1
8	4111683	Oil Seal .....	4
9	4111684	Thrust Plate .....	1
10	4111685	Screw .....	2
11	4111686	O-Ring .....	1
12	4111687	Bolt .....	10
13	4111688	Gasket .....	1
14	4111689	Cover .....	1
15	4111690	Bolt .....	2
16	4111680	Oil Seal .....	1
17	4111676	Gasket .....	1
	4112701	Kit-Gasket .....	1

## CYLINDER BLOCK (FIGURE 4-25) PSI 2.4L



BP090734

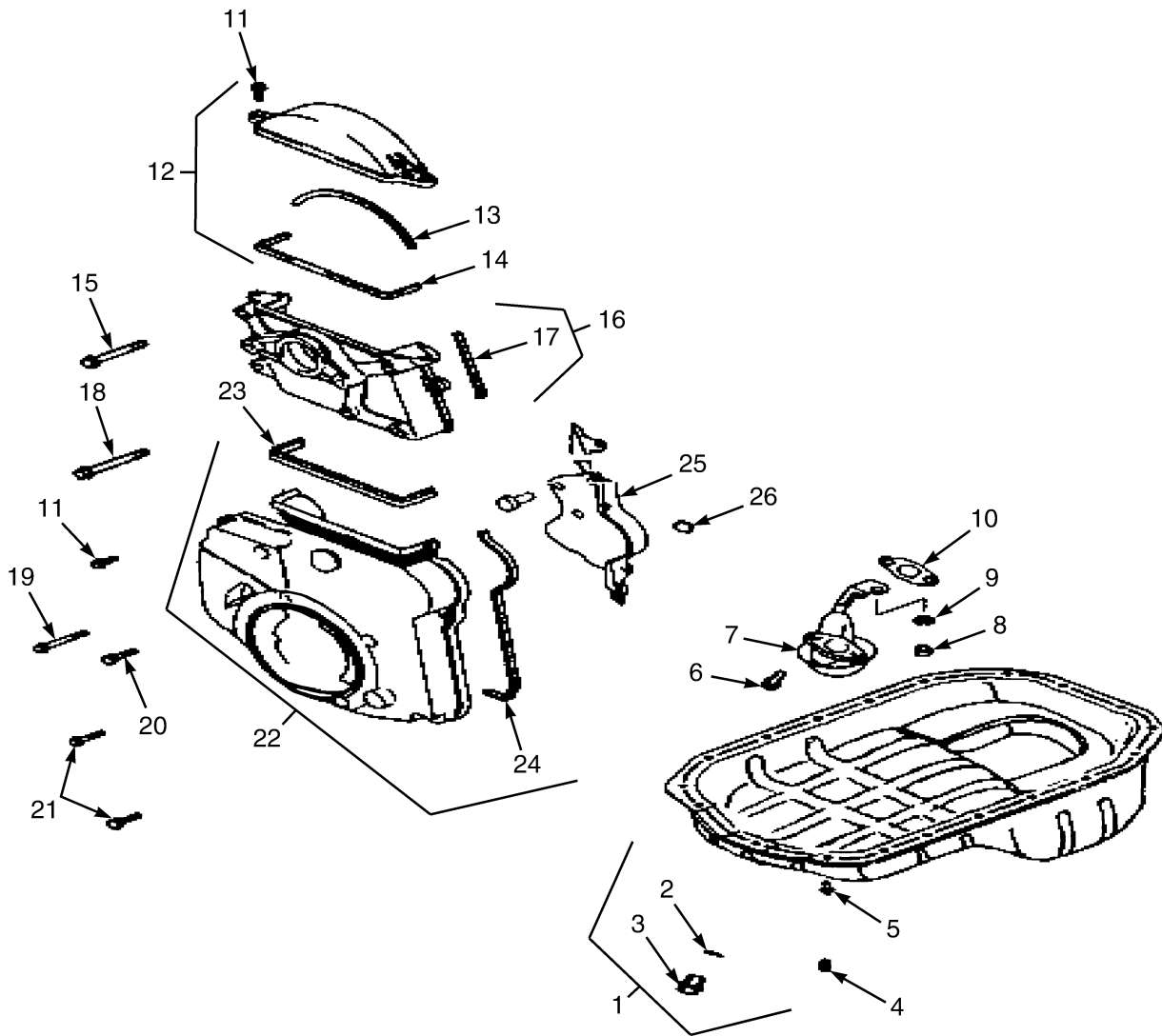


**CYLINDER BLOCK**  
**PSI 2.4L**

ITEM	PART NO.	DESCRIPTION	QTY
	4122334	Long Block (PSI 2.4L) .....	1
1	4111691	Plug .....	2
2	4111692	Plug .....	1
3	4111693	Plug .....	1
4	4111734	Bearing (Balancer) .....	1
4	4111735	Bearing (Balancer) (Oversize) .....	1
5	4111695	Cap .....	7
6	4111696	Cap .....	2
7	4111697	Dowel .....	2
8	4111698	Bushing .....	2
9	4111699	Bolt .....	2
10	4111700	Bolt .....	7
11	4111701	Bolt .....	1
12	4111681	Bushing .....	2
13	4111702	Bearing .....	1
13	4111703	Bearing (Oversize 1.0 mm) .....	1
14	4111704	Bearing .....	1
14	4111705	Bearing (Oversize 1.0 mm) .....	1
15	4111706	Bushing .....	2
16	4111713	Bolt .....	5
17	4111714	Cover .....	1
18	4111715	Oil Seal .....	1
19	4111716	Crankshaft Bearing (1,2,4,5 (Green) .....	5
19	4111717	Crankshaft Bearing (1,2,4,5 (Yellow) .....	5
19	4111718	Crankshaft Bearing (1,2,4,5 (Standard) .....	5
19	4111719	Crankshaft Bearing (1,2,4,5 (Lan Standard) .....	5
19	4111727	Crankshaft Bearing (1,2,4,5 (Red) .....	5
20	4111728	Crankshaft Bearing (3, Green) .....	1
20	4111729	Crankshaft Bearing (3, Yellow) .....	1
20	4111730	Crankshaft Bearing (3, Standard) .....	1
20	4111731	Crankshaft Bearing (3, Lan Standard) .....	1
20	4111732	Crankshaft Bearing (3, Black) .....	1
21	4111733	Thrust Bearing .....	1
	<b>a</b> 4111694	Plug .....	1
	4112701	Kit-Gasket .....	1

**FOOTNOTES:****a** Not Illustrated

## FRONT COVER AND OIL PAN (FIGURE 4-26) PSI 2.4L

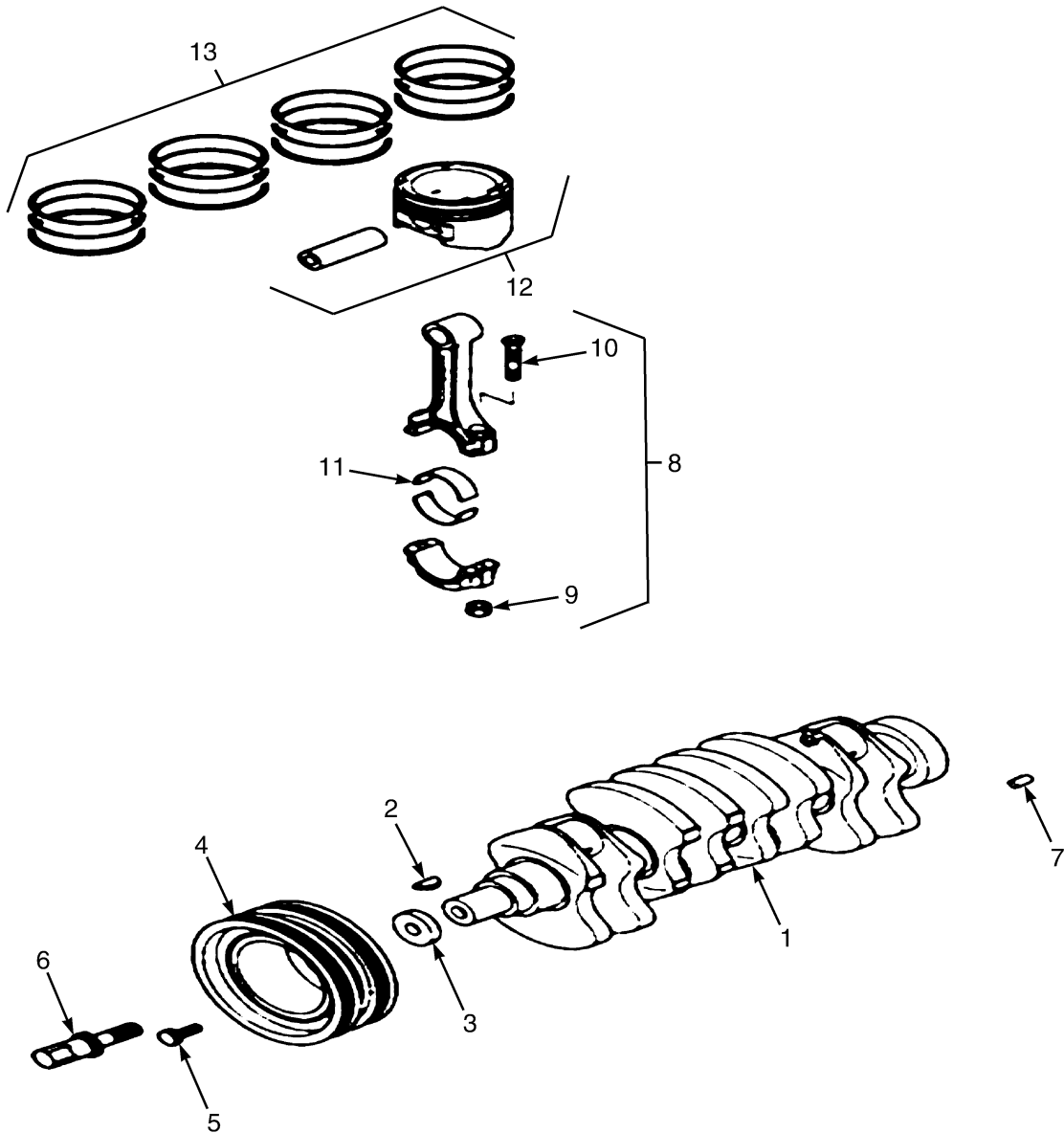


BP090735

**FRONT COVER AND OIL PAN  
PSI 2.4L**

ITEM	PART NO.	DESCRIPTION	QTY
	4122334	Long Block (PSI 2.4L) .....	1
1	4111191	Engine Oil Pan .....	1
2	4111208	Gasket (Oil Drain) .....	1
3	4111209	Drain Plug .....	1
4	4111210	Bolt .....	17
5	4111276	Bolt .....	2
6	4111632	Washer (Bolt) .....	2
7	4111645	Screen .....	1
8	4111736	Nut .....	1
9	4111737	Washer .....	1
10	4111738	Gasket .....	1
11	4111739	Bolt .....	8
12	4111740	Cover (Front Upper) .....	1
13	.....	Gasket (Timing Belt Cover) .....	1
14	.....	Gasket (Timing Belt Cover) .....	1
15	4111742	Bolt .....	3
16	4111741	Bracket (Ignition Coil) .....	1
17	.....	Gasket .....	1
18	4111743	Bolt .....	1
19	4111744	Bolt .....	1
20	4111745	Bolt .....	2
21	4111746	Bolt .....	2
22	4111747	Cover (T-Belt) .....	1
23	.....	Gasket (Lower Cover) .....	1
24	.....	Gasket (Lower Cover) .....	1
25	4111749	Cover (Rear) .....	1
26	4111751	Plug .....	1
	4112701	Kit-Gasket .....	1

## PISTON AND CRANKSHAFT (FIGURE 4-27) PSI 2.4L

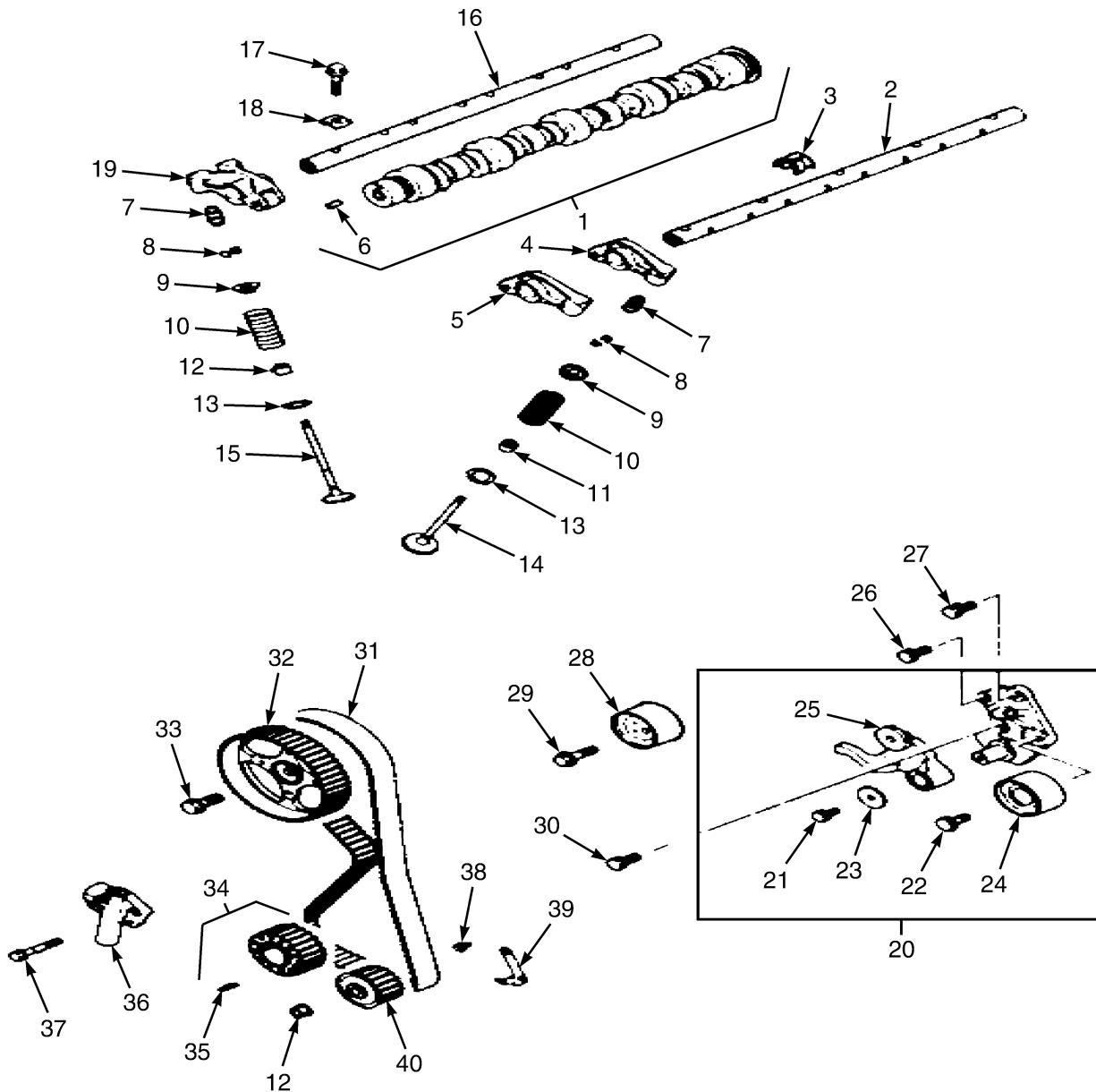


BP090736

**PISTON AND CRANKSHAFT  
PSI 2.4L**

ITEM	PART NO.	DESCRIPTION	QTY
	4122334	Long Block (PSI 2.4L) .....	1
1	4111753	Crankshaft .....	1
2	4111755	Key .....	1
3	4111756	Washer .....	1
4	4111757	Pulley (Damper) .....	1
5	4111758	Bolt .....	4
6	4111759	Bolt .....	1
7	4111760	Pin .....	1
8	4111761	Piston Rod .....	4
9	4111762	Nut .....	8
10	4111766	Bolt .....	8
11	4111765	Piston Rod Bearing (Lan Standard) .....	4
11	4111764	Piston Rod Bearing (Standard) .....	4
11	4111763	Piston Rod Bearing (Yellow) .....	4
12	4111767	Piston ("A") .....	4
12	4111768	Piston ("B") .....	4
12	4111769	Piston ("C") .....	4
13	4111773	Kit-Piston Ring .....	1

## CAMSHAFT AND VALVES (FIGURE 4-28) PSI 2.4L

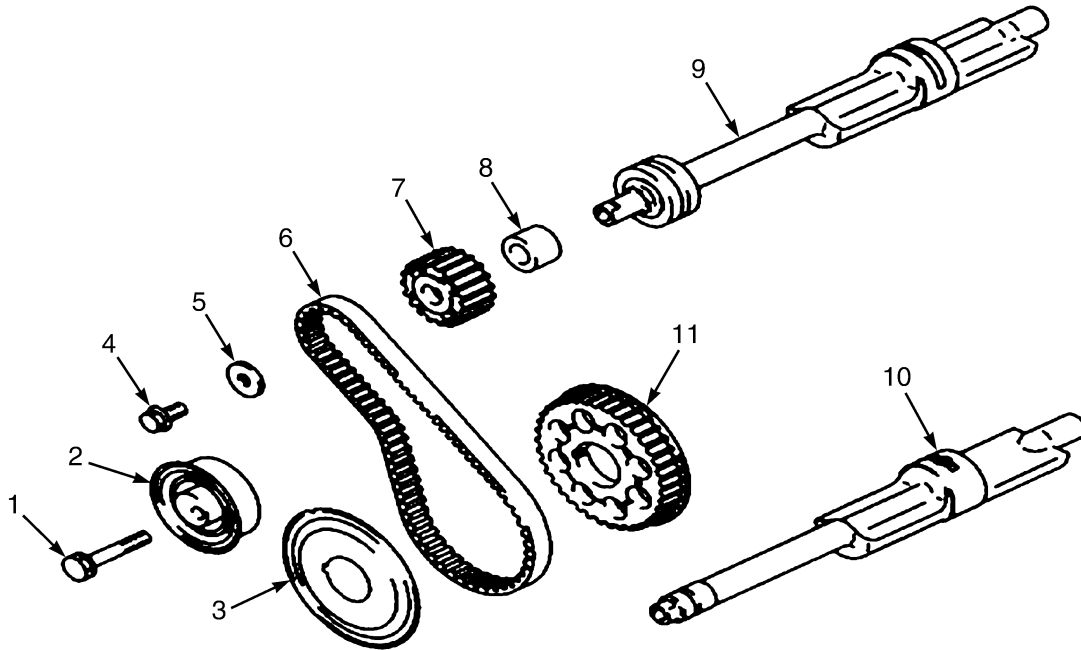


BP090737

**CAMSHAFT AND VALVES**  
**PSI 2.4L**

ITEM	PART NO.	DESCRIPTION	QTY
	4122334	Long Block (PSI 2.4L) .....	1
1	4111774	Camshaft .....	1
2	4111775	Rocker Shaft .....	1
3	4111776	Spring (Rocker Shaft) .....	4
4	4112104	Rocker Arm ("B") .....	4
5	4112105	Rocker Arm ("A") .....	4
6	4112106	Pin .....	1
7	4112107	Adjuster .....	16
8	4112108	Lock (Valve Spring) .....	32
9	4112109	Retainer (Valve Spring) .....	16
10	4112110	Spring (Valve) .....	16
11	4112111	Seal .....	16
12	4112324	Nut .....	1
13	4112112	Valve Seat .....	16
14	4112113	Valve (Inlet) .....	8
15	4112114	Valve (Exhaust) .....	8
16	4112115	Rocker Shaft .....	1
17	4112116	Bolt .....	13
18	4112117	Cap .....	13
19	4112118	Rocker Arm .....	4
20	4112119	Bracket .....	1
21	4112120	Bolt .....	1
22	4112121	Bolt .....	1
23	4112122	Washer .....	1
24	4112123	Idler Pulley .....	1
25	.....	Tensioner Arm Assembly .....	1
26	4112124	Bolt .....	1
27	4112125	Bolt .....	1
28	4112126	Pulley .....	1
29	4112127	Bolt .....	1
30	4112121	Bolt .....	1
31	4112128	Timing Belt .....	1
32	4112130	Sprocket .....	1
33	4112131	Bolt .....	1
34	4112132	Sprocket .....	1
35	4112133	Pin .....	1
36	4112320	Tensioner .....	1
37	4112321	Bolt .....	2
38	4111276	Bolt .....	2
39	4112322	Bracket (Indicator) .....	1
40	4112323	Sprocket (Oil Pump) .....	1
	4112701	Kit-Gasket .....	1
	4112702	Kit -Sprocket .....	1

## BALANCER (FIGURE 4-29) PSI 2.4L



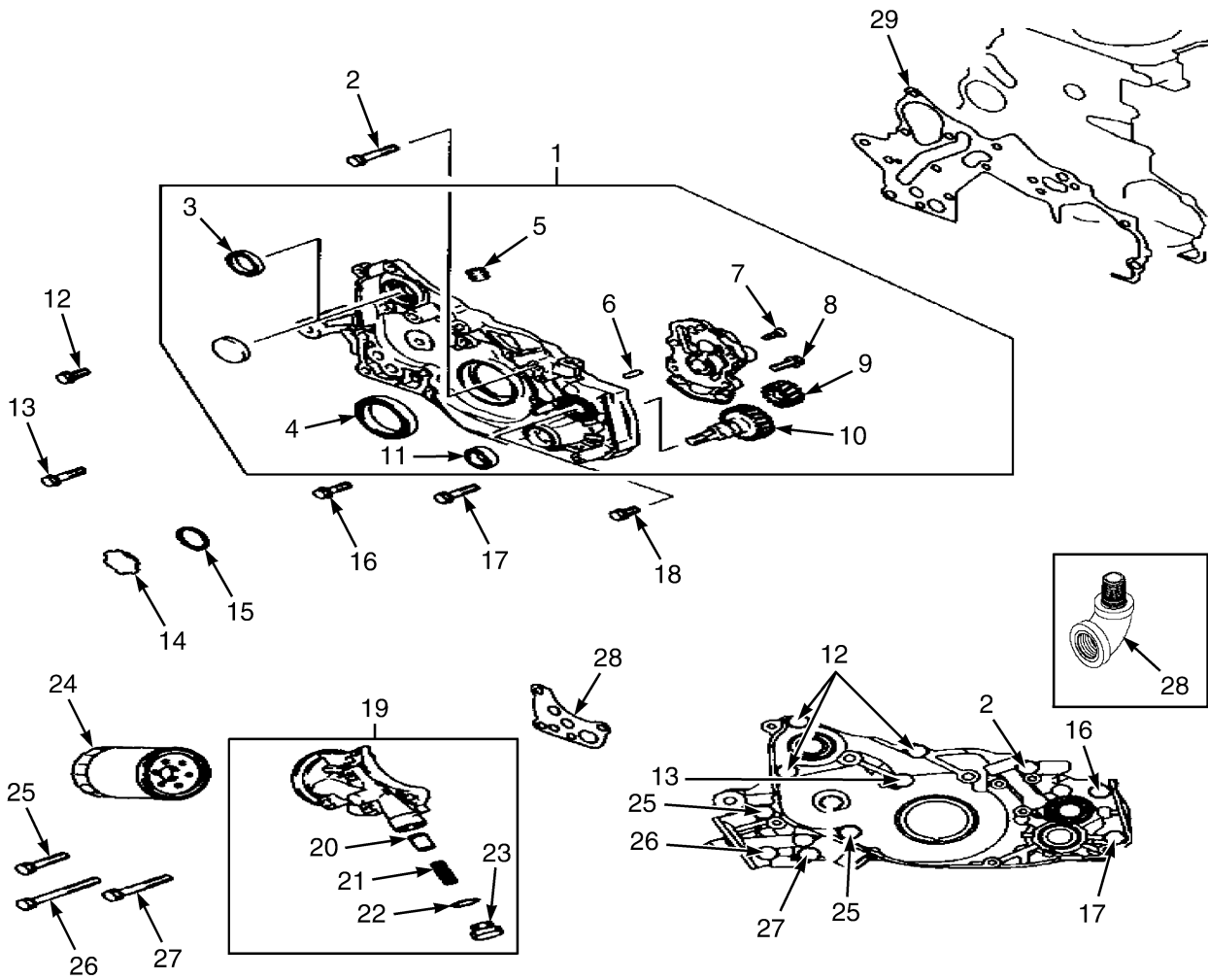
BP090738

ITEM	PART NO.	DESCRIPTION	QTY
	4122334	Long Block (PSI 2.4L) .....	1
1	4112325	Bolt .....	1
2	4112327	Tensioner (Timing Belt) .....	1
3	4112328	Flange .....	1
4	4112329	Bolt .....	1
5	4112330	Washer .....	1
6	4112331	Timing Belt .....	1
7	4112332	Sprocket .....	1
8	4112333	Spacer .....	1
9	4112334	Shaft .....	1
10	4112336	Shaft .....	1
11	4112338	Sprocket .....	1
	4112702	Kit -Sprocket .....	1





## OIL PUMP AND FILTER (FIGURE 4-30) PSI 2.4L

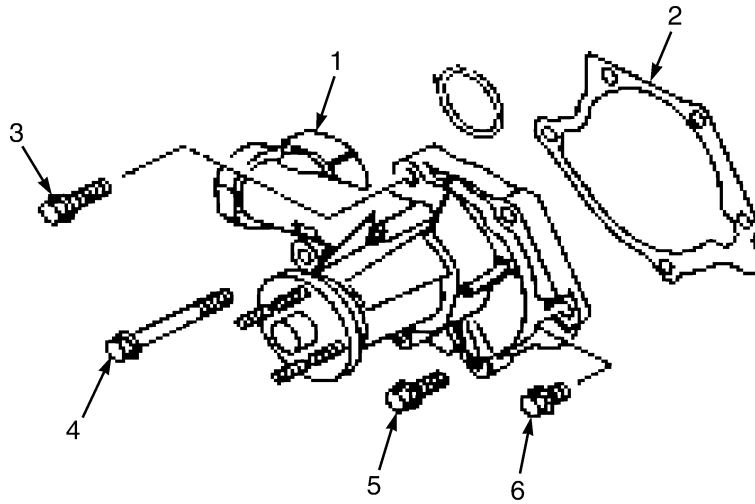


BP090739

**OIL PUMP AND FILTER  
PSI 2.4L**

ITEM	PART NO.	DESCRIPTION	QTY
	4122334	Long Block (PSI 2.4L) .....	1
1	4112340	Oil Pump .....	1
2	4112341	Bolt .....	1
3	4112342	Oil Seal .....	1
4	4112343	Oil Seal .....	1
5	4112344	Plug .....	1
6	4111697	Dowel .....	2
7	4112345	Screw .....	1
8	4112346	Bolt .....	4
9	.....	Oil Pump Gear .....	1
10	.....	Oil Pump Drive Gear .....	1
11	4112361	Oil Seal .....	1
12	4111239	Bolt .....	3
13	4112348	Bolt .....	1
14	4112349	Cap .....	1
15	4112350	O-Ring .....	1
16	4112351	Bolt .....	1
17	4112352	Bolt .....	1
18	4112329	Bolt .....	1
19	4112353	Bracket .....	1
20	.....	Plunger .....	1
21	4112355	Spring .....	1
22	4112356	Gasket .....	1
23	4112357	Plug .....	1
24	4090340	Filter (Oil) .....	1
25	4112358	Bolt .....	2
26	4112359	Bolt .....	1
27	4112360	Bolt .....	1
28	4112699	Adapter .....	1
29	4112347	Gasket .....	1
	4112701	Kit-Gasket .....	1

## WATER PUMP (FIGURE 4-31) PSI 2.4L



BP090741

ITEM	PART NO.	DESCRIPTION	QTY
	4122334	Long Block (PSI 2.4L) .....	1
1	4112416	Water Pump .....	1
2	4112417	Gasket .....	1
3	4112418	Bolt .....	1
4	4111742	Bolt .....	1
5	4112419	Bolt .....	2
6	4112420	Bolt .....	1
	4112701	Kit-Gasket (2.2L) .....	1

**5**

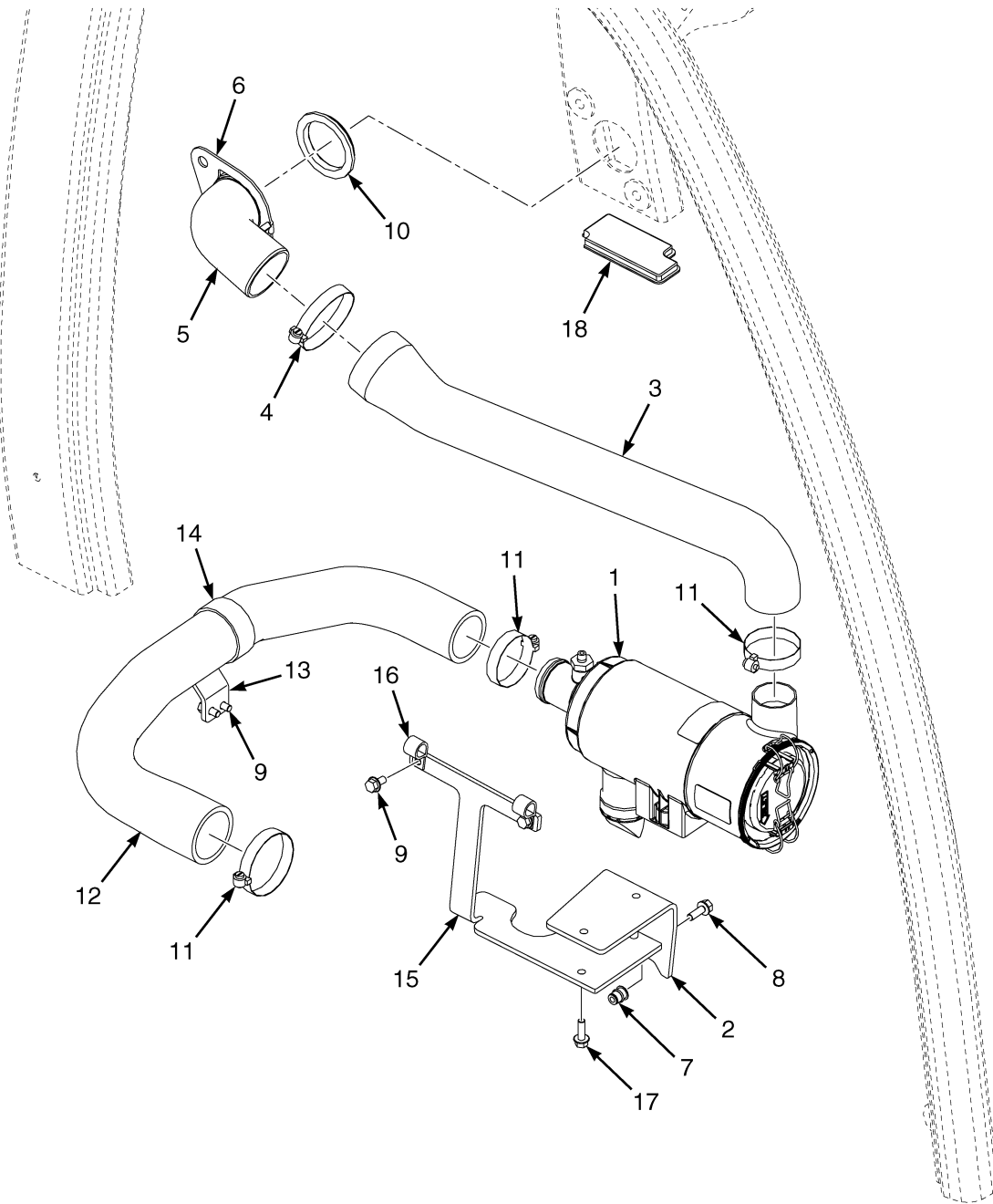
**FUEL SYSTEM-LPG**



## SECTION 5 FUEL SYSTEM-LPG

DESCRIPTION	PAGE
AIR FILTER ASSEMBLY	
PSI ENGINE .....	5-6
AIR INTAKE	
PSI ENGINE .....	5-2
AIR INTAKE SYSTEM	
KUBOTA 2.5L LPG .....	5-8
PRE-CLEANER AND DUCT .....	5-4
FUEL SYSTEM	
KUBOTA - WITH LOW FUEL SENSOR (SHEET 1 OF 2) .....	5-10
KUBOTA - WITH LOW FUEL SENSOR (SHEET 2 OF 2) .....	5-12
KUBOTA - WITHOUT LOW FUEL SENSOR (SHEET 1 OF 2) .....	5-14
KUBOTA - WITHOUT LOW FUEL SENSOR (SHEET 2 OF 2) .....	5-16
PSI-LPG - WITH LOW FUEL SENSOR .....	5-18
PSI-LPG - WITHOUT LOW FUEL SENSOR .....	5-19
LPG TANK BRACKET	
SWING OUT .....	5-24
SWING OUT, DROP DOWN .....	5-26
THROTTLE PEDAL ASSEMBLY AND ATTACHING PARTS	
MONOTROL PEDAL .....	5-22
STANDARD PEDAL .....	5-20

## AIR INTAKE (FIGURE 5-1) PSI ENGINE



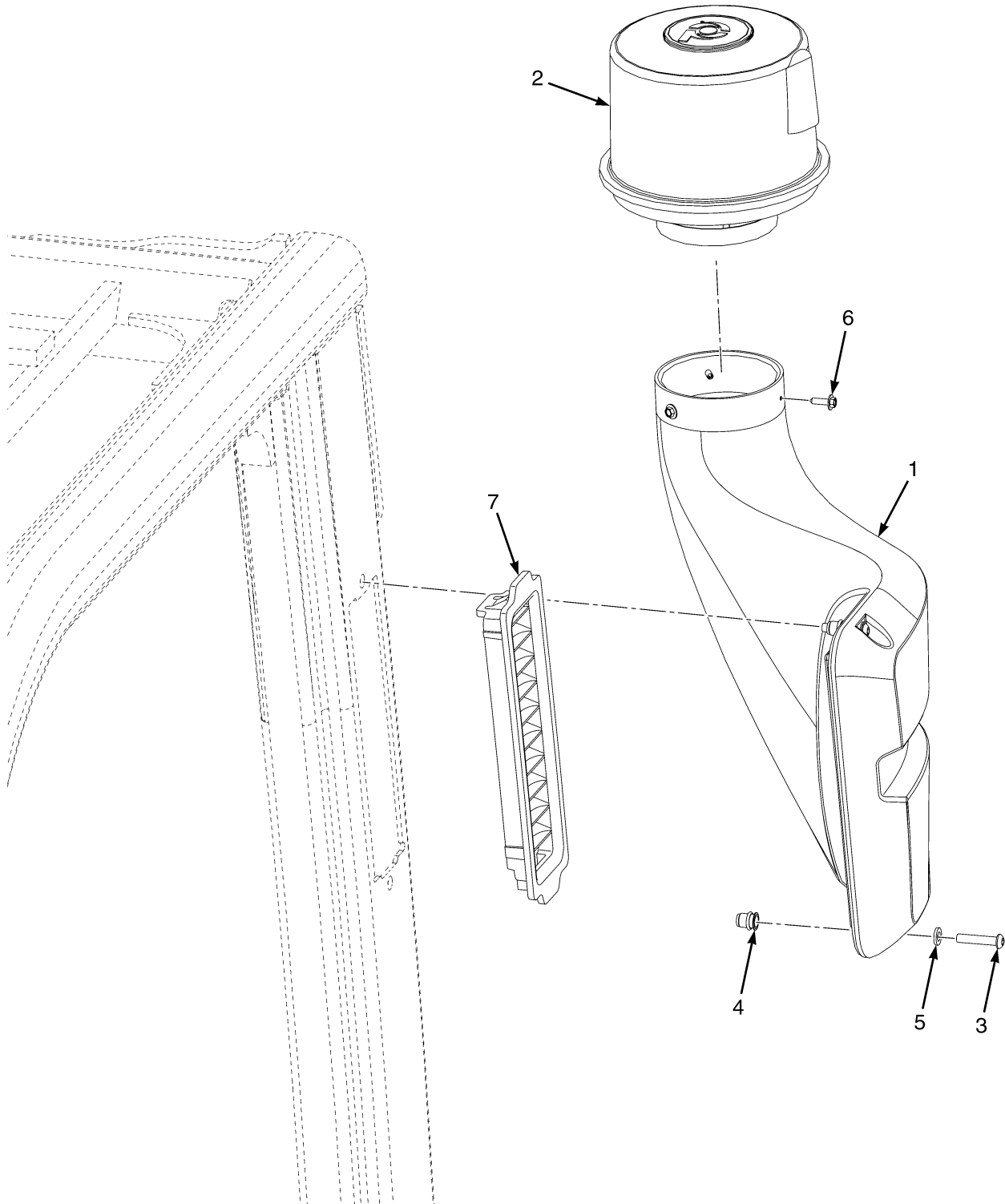
BP090691



**AIR INTAKE  
PSI ENGINE**

ITEM	PART NO.	DESCRIPTION	QTY
1	4611248	Air Filter (☞ Figure 5-3).....	1
2	1501848	Bracket .....	1
3	1502034	Hose (Dirty) .....	1
4	1394008	Hose Clamp .....	1
5	1581438	Elbow .....	1
6	1581439	Retainer .....	1
7	1530243	Insert .....	3
8	1583611	Capscrew .....	3
9	1527880	Capscrew .....	5
10	1502079	Grommet .....	1
11	112989	Hose Clamp .....	3
12	4626780	Hose (Clean) .....	1
13	4083043	Bracket Wldmt .....	1
14	1545418	Clamp (Insulated) .....	1
15	4083244	Bracket Wldmt .....	1
16	128408	Clamp .....	2
17	1510113	Capscrew .....	2
18	1704793	End Plug (OHG Leg) .....	1

## AIR INTAKE SYSTEM (FIGURE 5-2) PRE-CLEANER AND DUCT

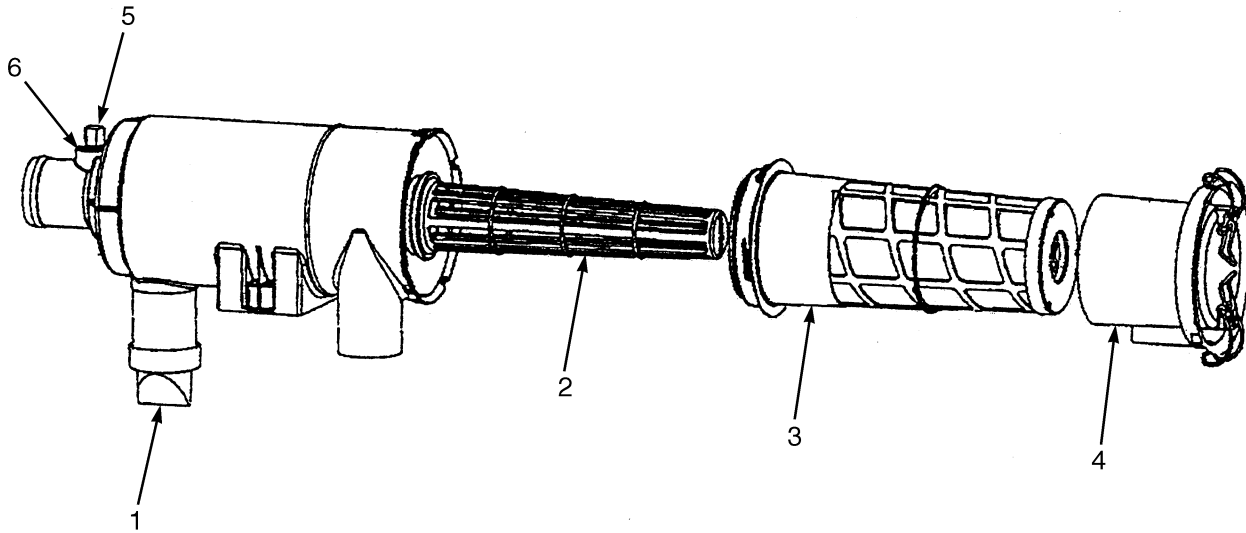


BP090692

**AIR INTAKE SYSTEM  
PRE-CLEANER AND DUCT**

<b>ITEM</b>	<b>PART NO.</b>	<b>DESCRIPTION</b>	<b>QTY</b>
1	1677793	Air Duct .....	1
2	1501888	Pre-Cleaner .....	1
3	2071261	Capscrew .....	2
4	1531558	Insert .....	2
5	1506738	Washer .....	2
6	1677833	Screw .....	3
7	2067476	Grill .....	1

## AIR FILTER ASSEMBLY (FIGURE 5-3) PSI ENGINE

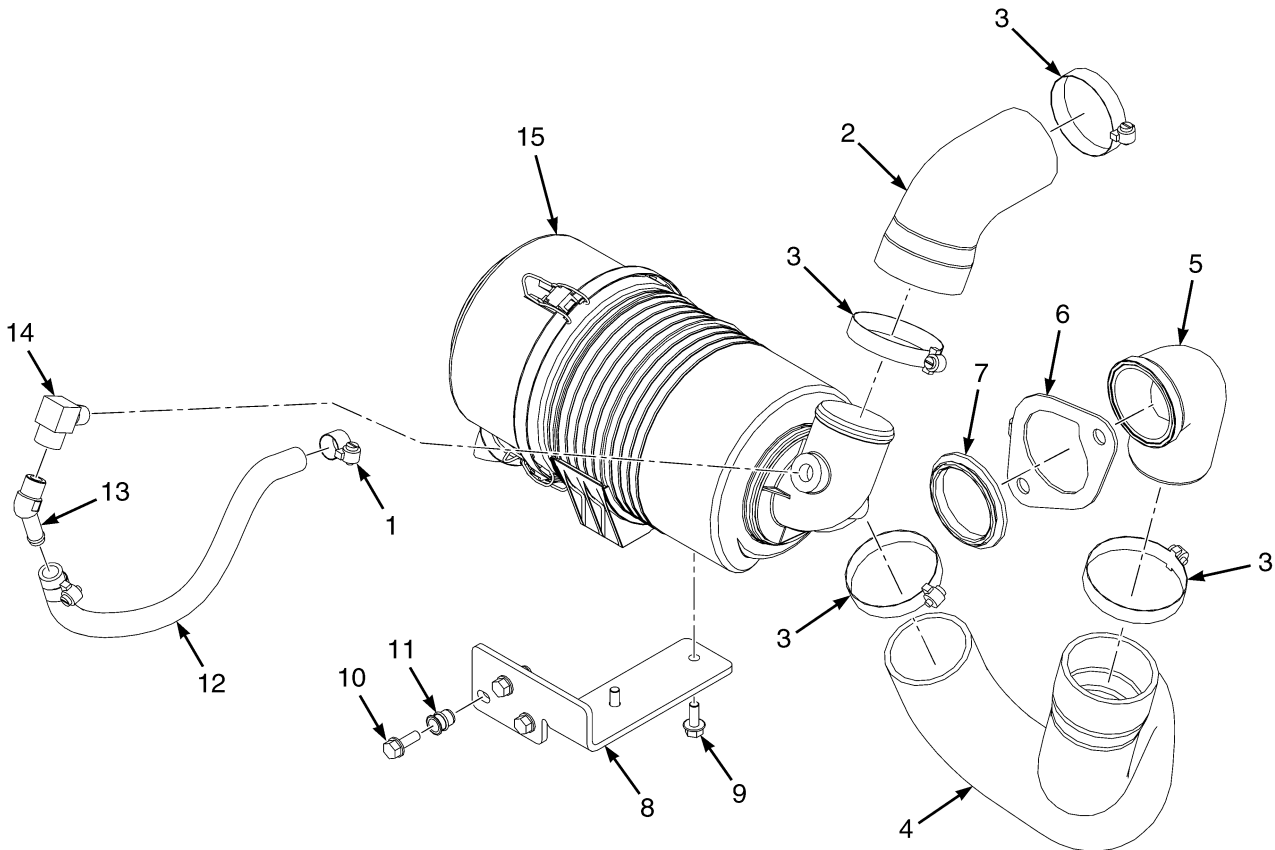
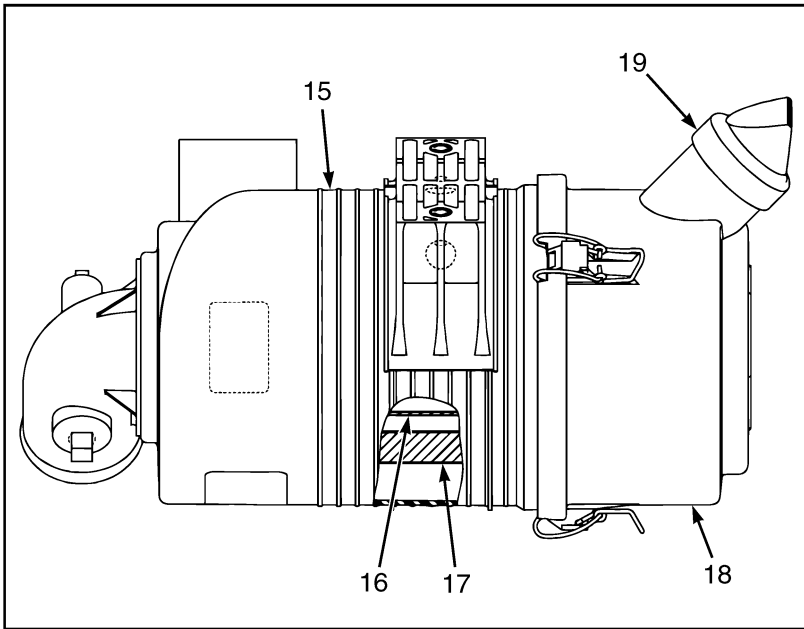


BP130113

ITEM	PART NO.	DESCRIPTION	QTY
	4611248	Air Filter .....	1
1	374923	Valve .....	1
2	1559419	Guide (With O-Ring) .....	1
3	1559418	Filter Element .....	1
4	1559420	Cover .....	1
5	141331	Cap .....	1
6	4030497	Connector (Pipe Nipple) .....	1
	2095889	Label (Air Filter Installation) .....	1



## AIR INTAKE SYSTEM (FIGURE 5-4) KUBOTA 2.5L LPG

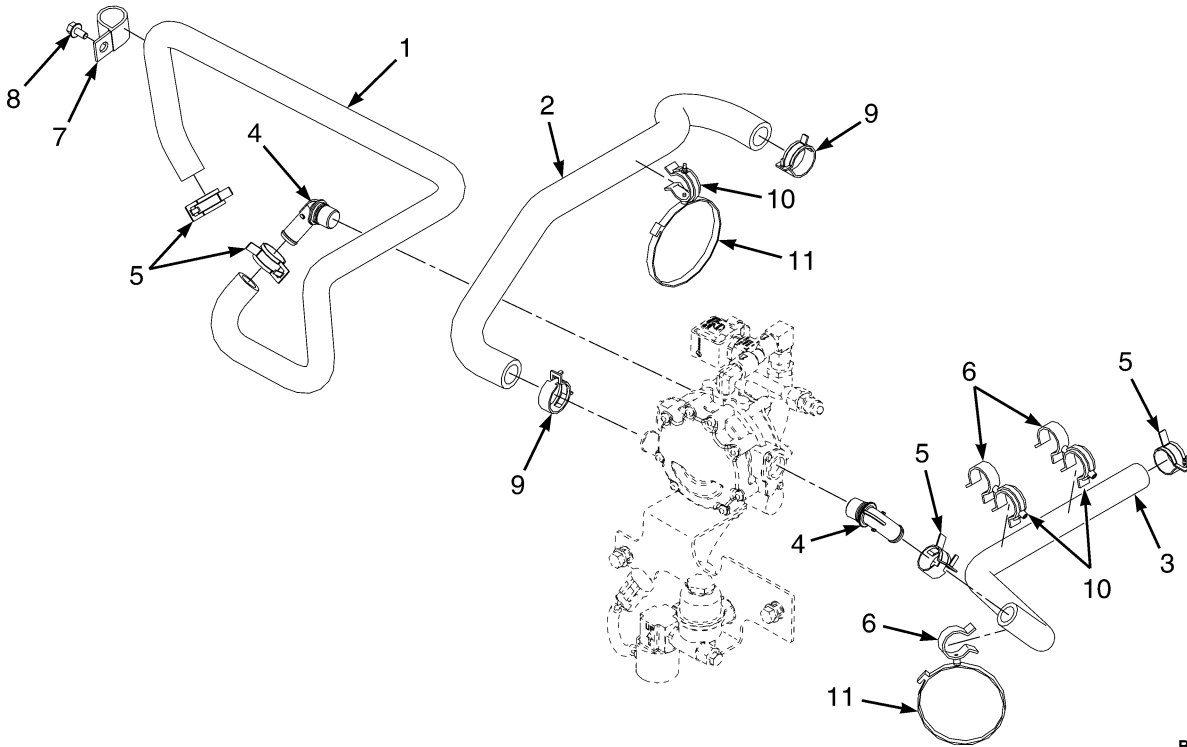


BP130476

**AIR INTAKE SYSTEM  
KUBOTA 2.5L LPG**

ITEM	PART NO.	DESCRIPTION	QTY
1	130845	Clamp .....	2
2	4630920	Hose .....	1
3	1394008	Hose Clamp .....	4
4	4626640	Hose .....	1
5	4078122	Elbow .....	1
6	1581439	Retainer .....	1
7	1502079	Grommet .....	1
8	4069504	Bracket .....	1
9	1527880	Capscrew .....	2
10	1583611	Capscrew .....	3
11	1530243	Insert .....	3
12	4628517	Hose .....	1
13	16764	Fitting .....	1
14	16143	Fitting .....	1
15	4623647	Air Filter .....	1
16	1452112	Filter Element .....	1
17	1377080	Filter Assembly (Air Round) .....	1
18	1377081	Cover .....	1
19	374923	Valve .....	1

## FUEL SYSTEM (FIGURE 5-5) KUBOTA — WITH LOW FUEL SENSOR (SHEET 1 OF 2)



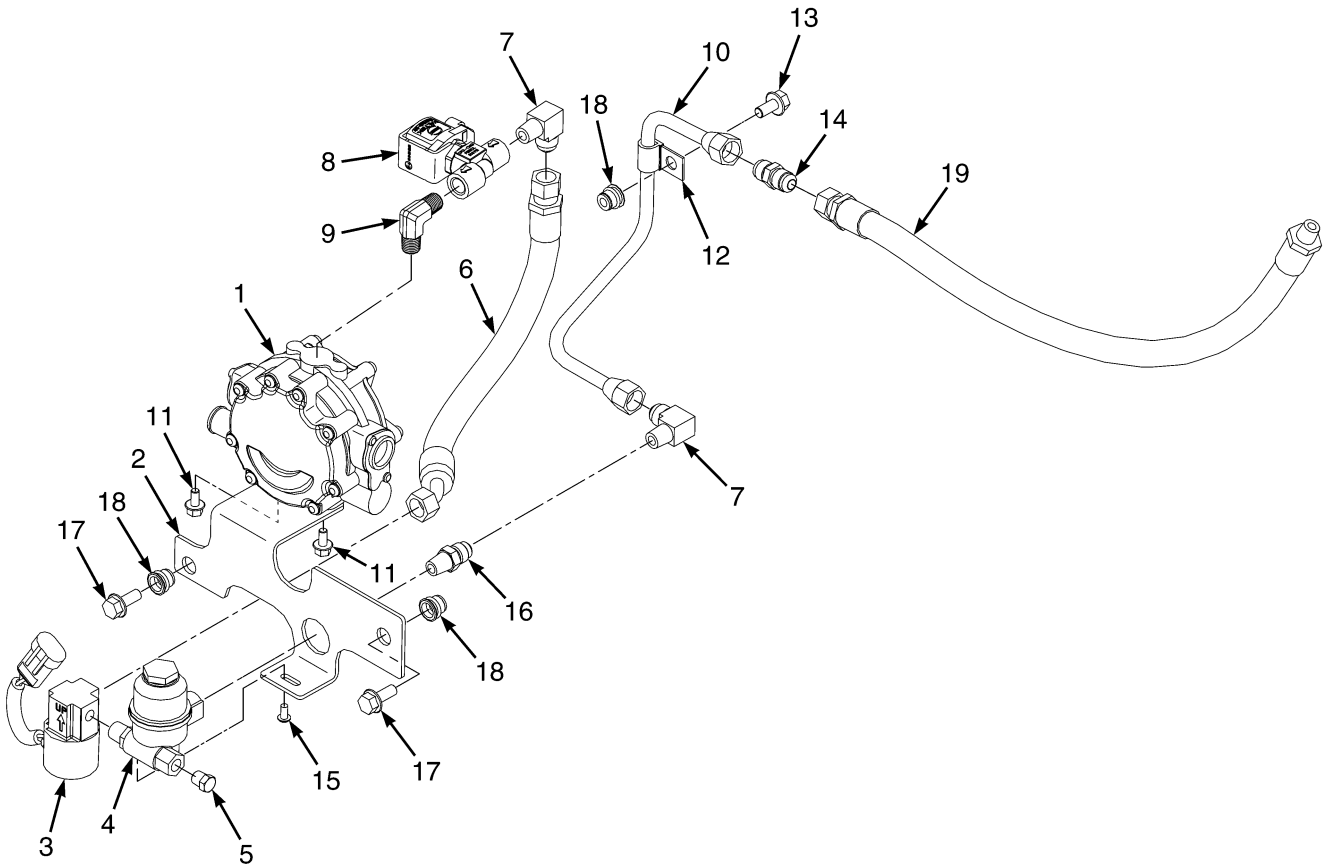
BP130458

ITEM	PART NO.	DESCRIPTION	QTY
1	4625186	Hose .....	1
2	4628717	Hose .....	1
3	4625259	Hose .....	1
4	4064288	Elbow .....	2
5	1501994	Hose Clamp .....	4
6	1542436	Clamp (Swivel) .....	3
7	153069	Clamp .....	1
8	1534417	Capscrew .....	1
9	1502009	Hose Clamp .....	2
10	1569465	Clamp (Swivel) .....	3
11	1502061	Clamp .....	2





**FUEL SYSTEM (FIGURE 5-6)  
KUBOTA — WITH LOW FUEL SENSOR (SHEET 2 OF 2)**

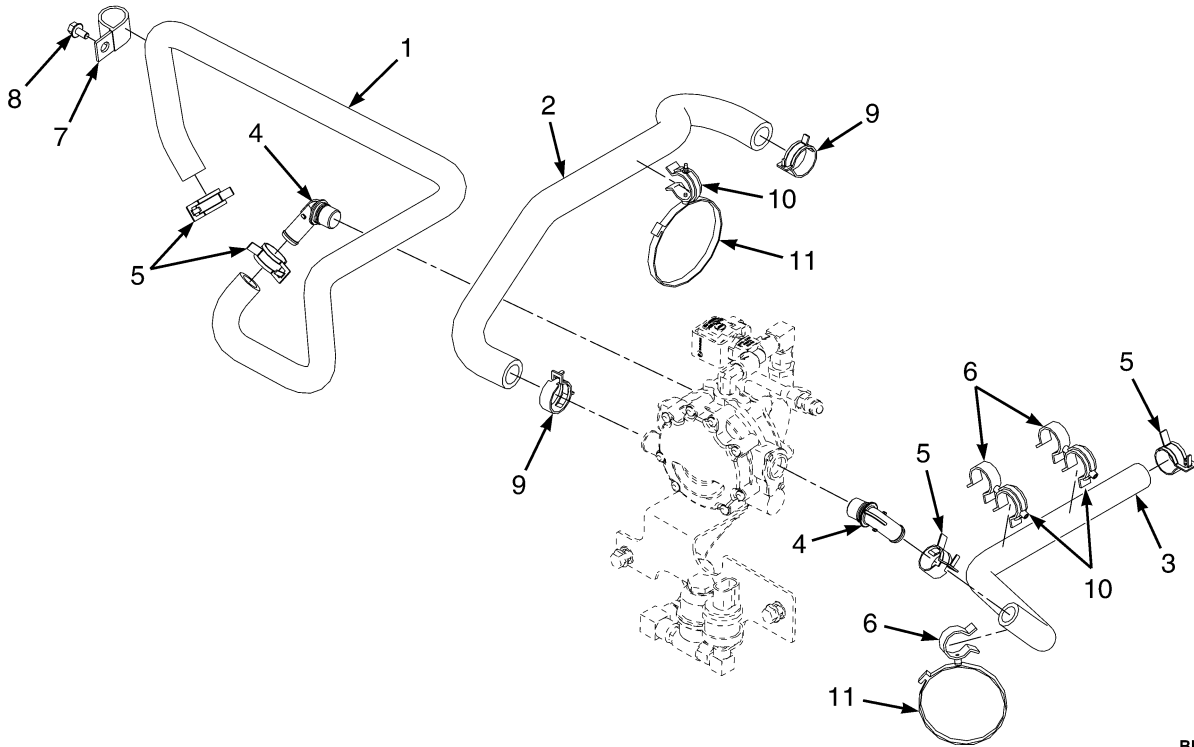


BP130459

**FUEL SYSTEM**  
**KUBOTA – WITH LOW FUEL SENSOR (SHEET 2 OF 2)**

ITEM	PART NO.	DESCRIPTION	QTY
1	4624999	LPG Converter .....	1
1	4040288	Kit-Regulator Repair .....	1
2	4089169	Bracket .....	1
3	1662253	Sensor .....	1
4	2105803	Fuel Filter (LPG) .....	1
4	1689544	Kit-Filter Element .....	1
5	14349	Fitting (Pipe Plug) .....	1
6	4631193	Hose Assy .....	1
7	14358	Fitting .....	2
8	4112697		
	4099352	LPG Lock-Off .....	1
9	4019019	Fitting .....	1
10	4630953	Tube Assy .....	1
11	1534417	Capscrew .....	2
12	164488	Clamp .....	1
13	4109993		
	1527879	Capscrew .....	1
14	14310	Fitting .....	1
15	296151	Capscrew .....	2
16	16134	Fitting .....	1
17	1527880	Capscrew .....	2
18	1531557	Insert .....	3
19	4630278	Hose Assy (H2.0-2.5FT) .....	1
19	2059895	Hose Assy (H3.0-3.5FT) .....	1

## FUEL SYSTEM (FIGURE 5-7) KUBOTA — WITHOUT LOW FUEL SENSOR (SHEET 1 OF 2)

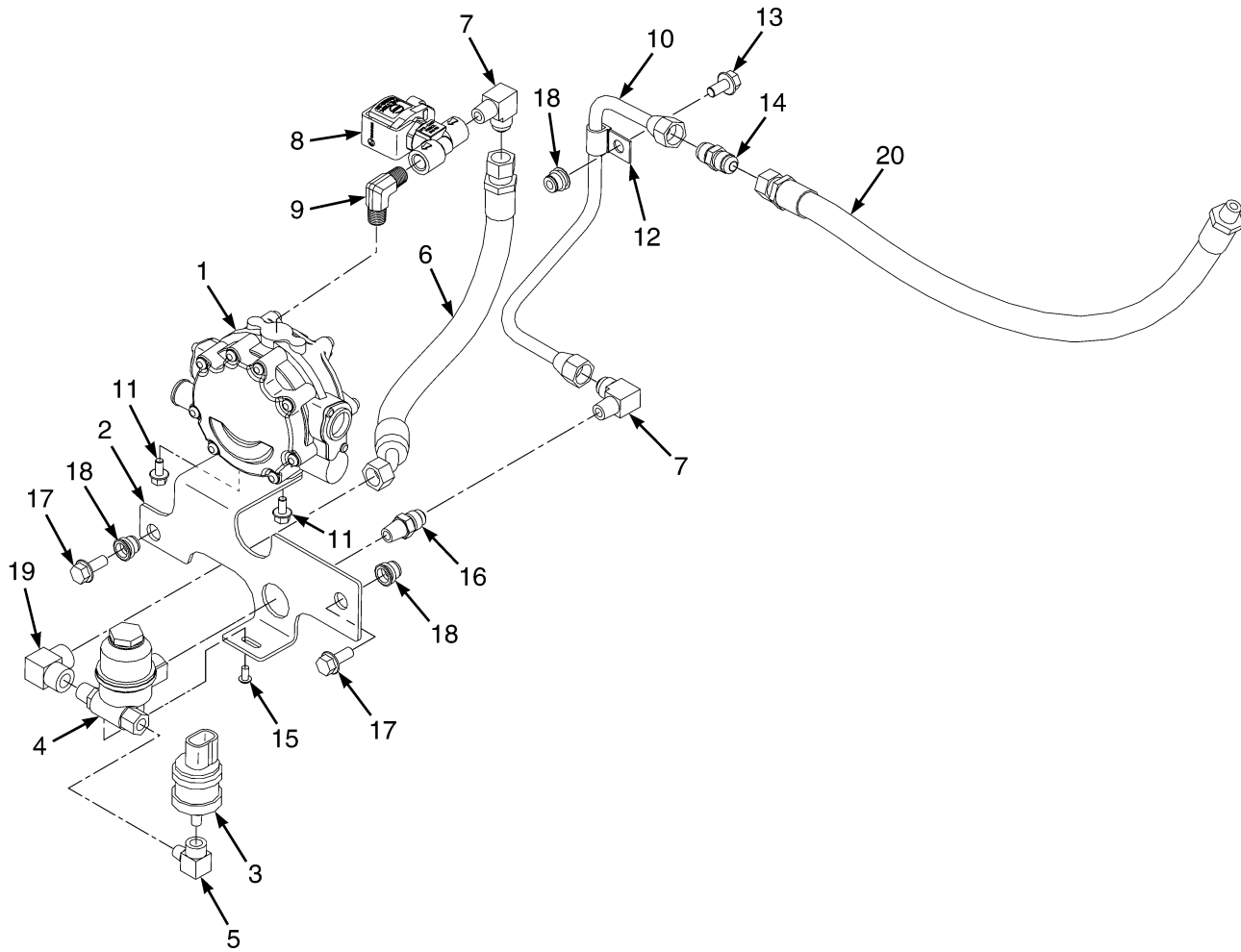


BP130457

ITEM	PART NO.	DESCRIPTION	QTY
1	4625186	Hose .....	1
2	4628717	Hose .....	1
3	4625259	Hose .....	1
4	4064288	Elbow .....	2
5	1501994	Hose Clamp .....	4
6	1542436	Clamp (Swivel) .....	3
7	153069	Clamp .....	1
8	1534417	Capscrew .....	1
9	1502009	Hose Clamp .....	2
10	1569465	Clamp (Swivel) .....	3
11	1502061	Clamp .....	2



## FUEL SYSTEM (FIGURE 5-8) KUBOTA — WITHOUT LOW FUEL SENSOR (SHEET 2 OF 2)



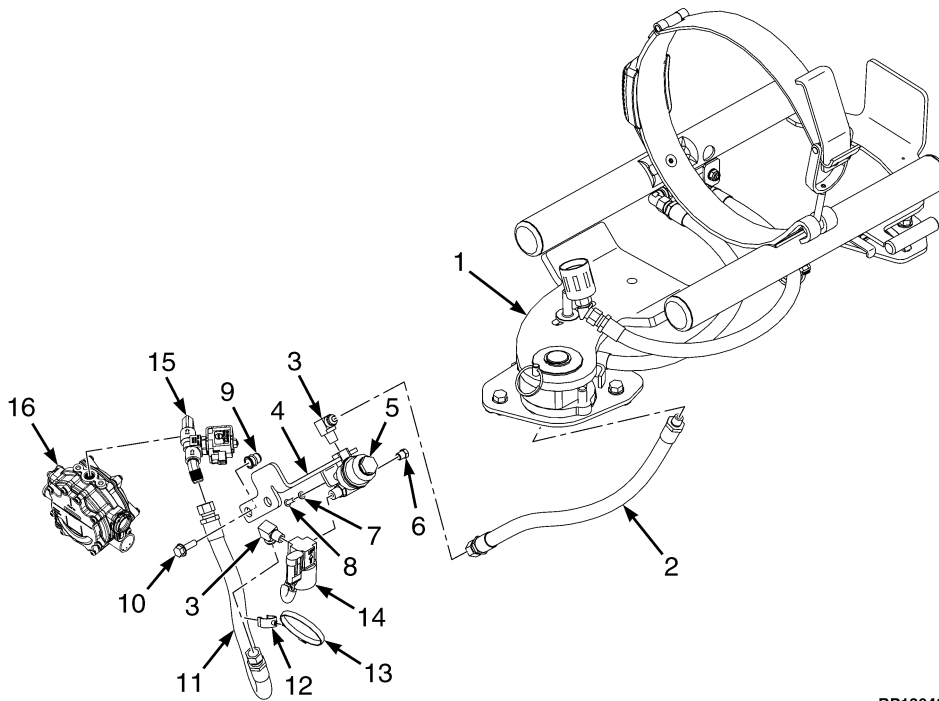
BP130456

**FUEL SYSTEM**  
**KUBOTA – WITHOUT LOW FUEL SENSOR (SHEET 2 OF 2)**

ITEM	PART NO.	DESCRIPTION	QTY
1	4624999	LPG Converter .....	1
1	4040288	Kit-Regulator Repair .....	1
2	4089169	Bracket .....	1
3	1501970	Pressure Switch (Low Fuel) .....	1
4	2105803	Fuel Filter (LPG) .....	1
4	1689544	Kit-Filter Element .....	1
5	16151	Fitting .....	1
6	4631193	Hose Assy .....	1
6	<b>a</b> 4635204	Hose Assy .....	1
7	14358	Fitting .....	2
8	<del>4112697</del> 4099352	LPG Lock-Off .....	1
9	4019019	Fitting .....	1
10	4630953	Tube Assy .....	1
11	1534417	Capscrew .....	2
11	<b>a</b> 1527876	Capscrew .....	2
12	164488	Clamp .....	1
13	<del>4109993</del> 1527879	Capscrew .....	1
14	14310	Fitting .....	1
15	296151	Capscrew .....	2
16	16134	Fitting .....	1
17	1527880	Capscrew .....	2
18	1531557	Insert .....	2
19	17350	Fitting .....	1
20	4630278	Hose Assy (H2.0-2.5FT) .....	1
20	2059895	Hose Assy (H3.0-3.5FT) .....	1
20	<b>a</b> 4635129	Hose Assy (H2.0-2.5FT) .....	1
20	<b>a</b> 4641321	Hose Assy (H3.0-3.5FT) .....	1

**FOOTNOTES:****a** Optional

## FUEL SYSTEM (FIGURE 5-9) PSI-LPG — WITH LOW FUEL SENSOR

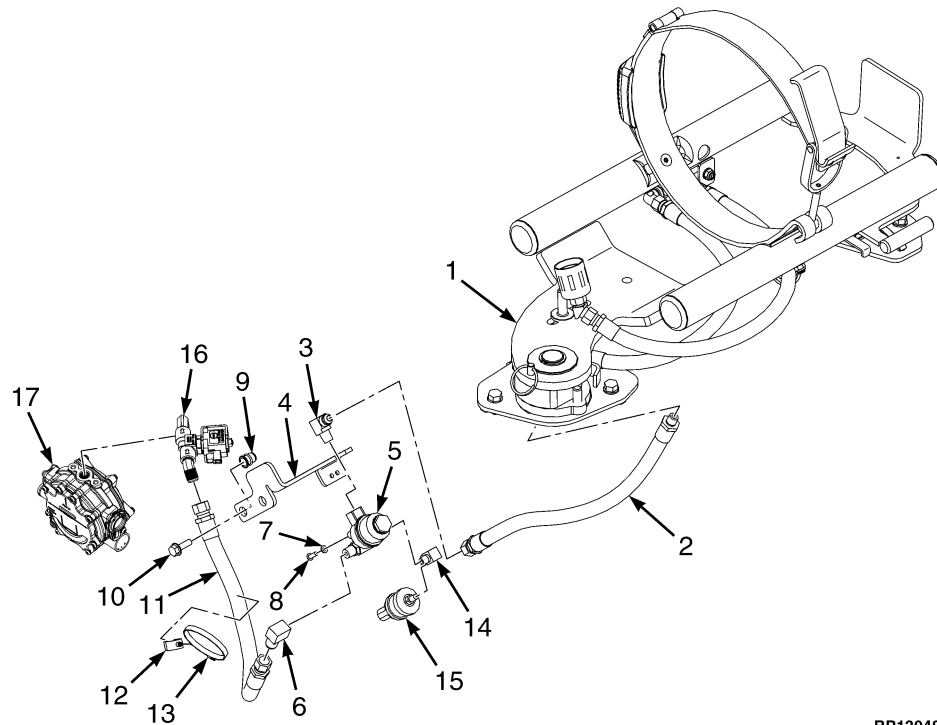


BP130484

ITEM	PART NO.	DESCRIPTION	QTY
1	.....	LPG Tank Bracket Assembly (☞Figure 5-13, ☞Figure 5-14).....	1
2	2070677	Hose Assy (H2.0-2.5FT) .....	1
2	2072300	Hose Assy (H3.0-3.5FT) .....	1
3	14358	Fitting .....	2
4	4121568	Bracket .....	1
5	2105803	Fuel Filter (LPG) .....	1
5	1689544	Kit-Filter Element .....	1
6	14349	Fitting (Pipe Plug) .....	1
7	320155	Washer .....	2
8	296152	Capscrew .....	2
9	1530243	Insert .....	2
10	1510113	Capscrew .....	2
11	2090361	Hose Assy .....	1
12	1502059	Clamp (Swivel) .....	1
13	1502061	Clamp .....	1
14	1662253	Sensor .....	1
15	.....	Fuel Lock-Off Valve (☞Figure 4-13).....	1
16	.....	Regulator (☞Figure 4-14).....	1



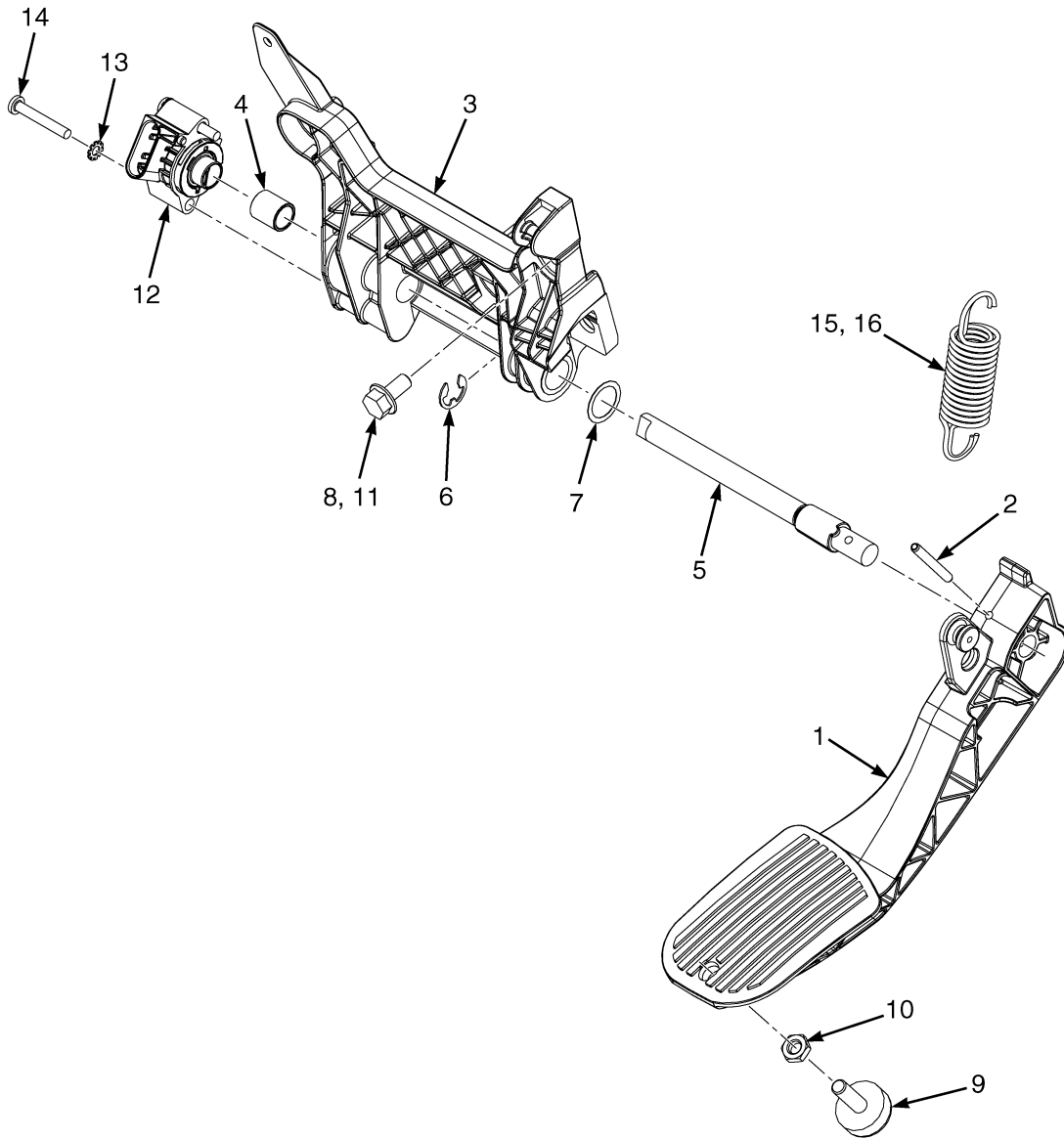
**FUEL SYSTEM (FIGURE 5-10)  
PSI-LPG — WITHOUT LOW FUEL SENSOR**



BP130485

ITEM	PART NO.	DESCRIPTION	QTY
1	.....	LPG Tank Bracket Assembly (☞Figure 5-13, ☞Figure 5-14).....	1
2	2070677	Hose Assy (H2.0-2.5FT) .....	1
2	2072300	Hose Assy (H3.0-3.5FT) .....	1
3	14358	Fitting .....	1
4	4121568	Bracket .....	1
5	2105803	Fuel Filter (LPG) .....	1
5	1689544	Kit-Filter Element .....	1
6	14372	Fitting .....	1
7	320155	Washer .....	2
8	296152	Capscrew .....	2
9	1530243	Insert .....	2
10	1510113	Capscrew .....	2
11	2090361	Hose Assy .....	1
12	1502059	Clamp (Swivel) .....	1
13	1502061	Clamp .....	1
14	16151	Fitting .....	1
15	1501970	Pressure Switch (Low Fuel) .....	1
16	.....	Fuel Lock-off Valve (☞Figure 4-13).....	1
17	.....	Regulator (☞Figure 4-14).....	1

## THROTTLE PEDAL ASSEMBLY AND ATTACHING PARTS (FIGURE 5-11) STANDARD PEDAL

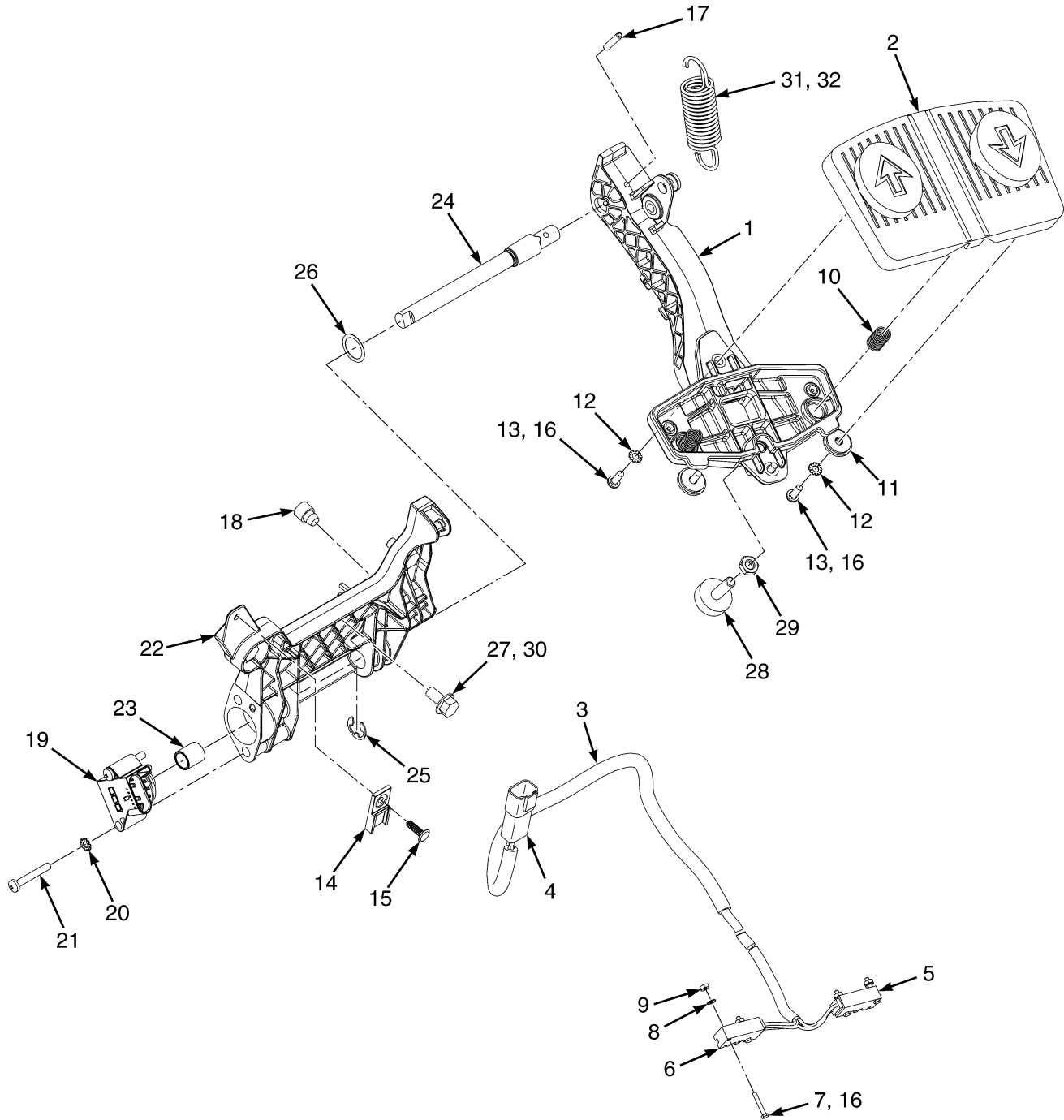


BP130362

**THROTTLE PEDAL ASSEMBLY AND ATTACHING PARTS  
STANDARD PEDAL**

ITEM	PART NO.	DESCRIPTION	QTY
1	2071181	Pedal (Standard) .....	1
2	302443	Roll Pin .....	1
3	4051924	Base Assembly (Throttle) .....	1
3	4615964	Molding .....	1
4	1524267	Bushing .....	1
5	1654754	Shaft .....	1
6	1530971	E-Ring .....	1
7	1654156	Shim .....	AR
8	4109993		
	1527879	Capscrew .....	3
9	1530311	Screw (Stop) .....	1
10	329069	Nut .....	1
11	251099	Loctite .....	AR
12	2063842	Sensor (Hall Throttle Position) .....	1
13	296378	Washer .....	2
14	1564752	Capscrew .....	2
15	1582301	Spring (Inner) .....	1
16	1582300	Spring (Outer) .....	1

## THROTTLE PEDAL ASSEMBLY AND ATTACHING PARTS (FIGURE 5-12) MONOTROL PEDAL

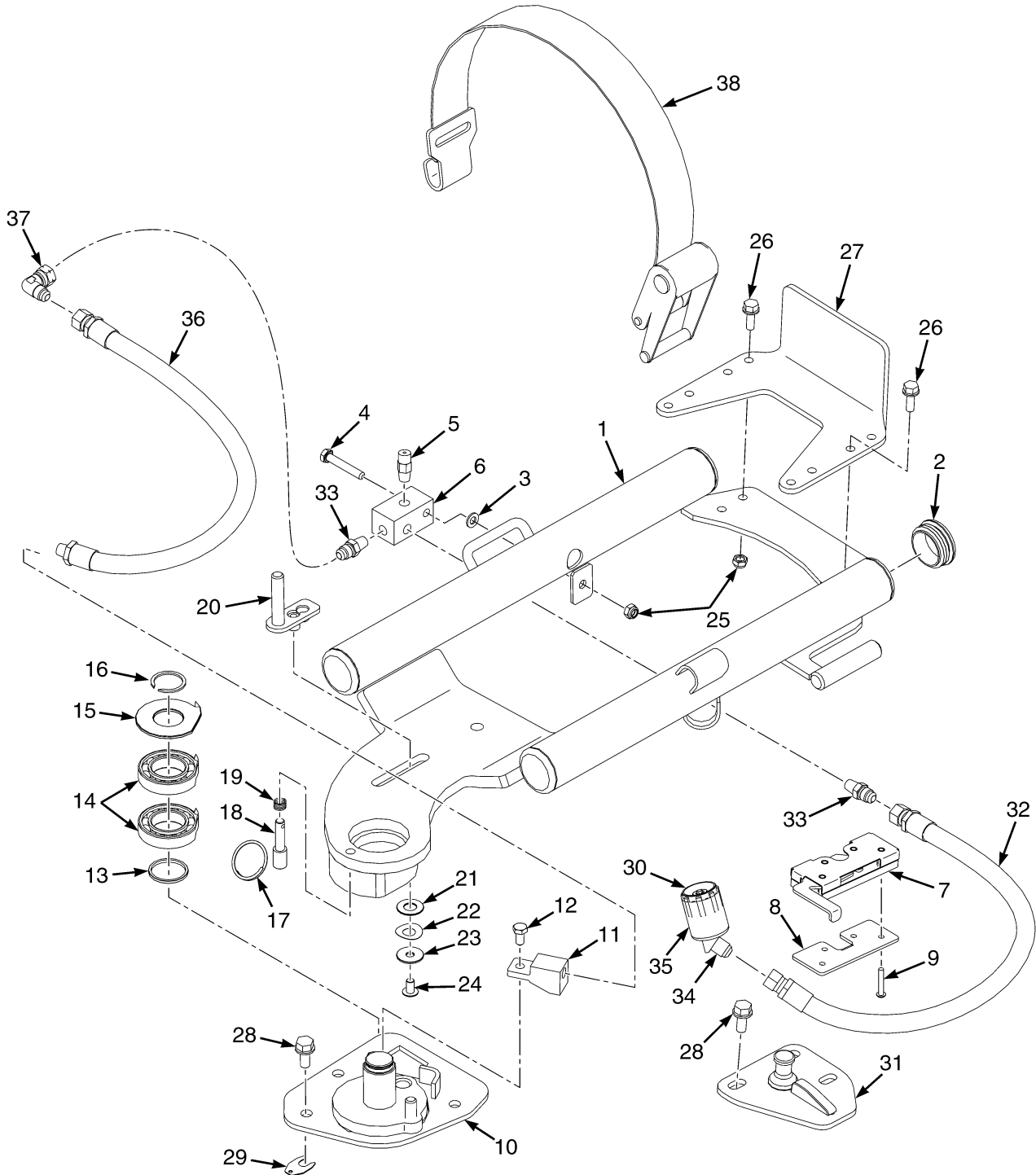


BP130363

**THROTTLE PEDAL ASSEMBLY AND ATTACHING PARTS  
MONOTROL PEDAL**

ITEM	PART NO.	DESCRIPTION	QTY
	4051938	Pedal Assy (Monotrol) .....	1
1	2074702	Pedal .....	1
2	1340470	Pad .....	1
3	4634485	Wire Harness .....	1
4	.....	Connector Assembly (To Cowl Harness) .....	1
4	1489655	Connector (4 Way) .....	1
4	1330416	Connector .....	1
4	1531312	Terminal .....	4
5	.....	Switch (Reverse) .....	1
6	.....	Switch (Forward) .....	1
7	220428	Screw .....	4
8	53162	Lockwasher .....	4
9	16865	Nut .....	4
10	325699	Spring .....	2
11	4040523	Washer (Bonded) .....	2
12	15931	Lockwasher .....	4
13	16708	Screw .....	4
14	1500912	Clip .....	1
15	1582464	Fastener .....	1
16	360387	Loctite .....	AR
17	302437	Roll Pin .....	1
18	4031769	Isolator (Throttle Pedal) .....	1
19	2063842	Sensor (Hall Throttle Position) (To Cowl Harness) .....	1
20	296378	Washer .....	2
21	1564752	Capscrew .....	2
22	4051924	Base Assembly (Throttle) .....	1
22	4615964	Molding .....	1
23	1524267	Bushing .....	1
24	1654754	Shaft .....	1
25	1530971	E-Ring .....	1
26	1654156	Shim .....	AR
27	4109993	.....	.....
	1527879	Capscrew .....	3
28	1530311	Screw (Stop) .....	1
29	329069	Nut .....	1
30	251099	Loctite .....	AR
31	1582301	Spring (Inner) .....	1
32	1582300	Spring (Outer) .....	1

## LPG TANK BRACKET (FIGURE 5-13) SWING OUT



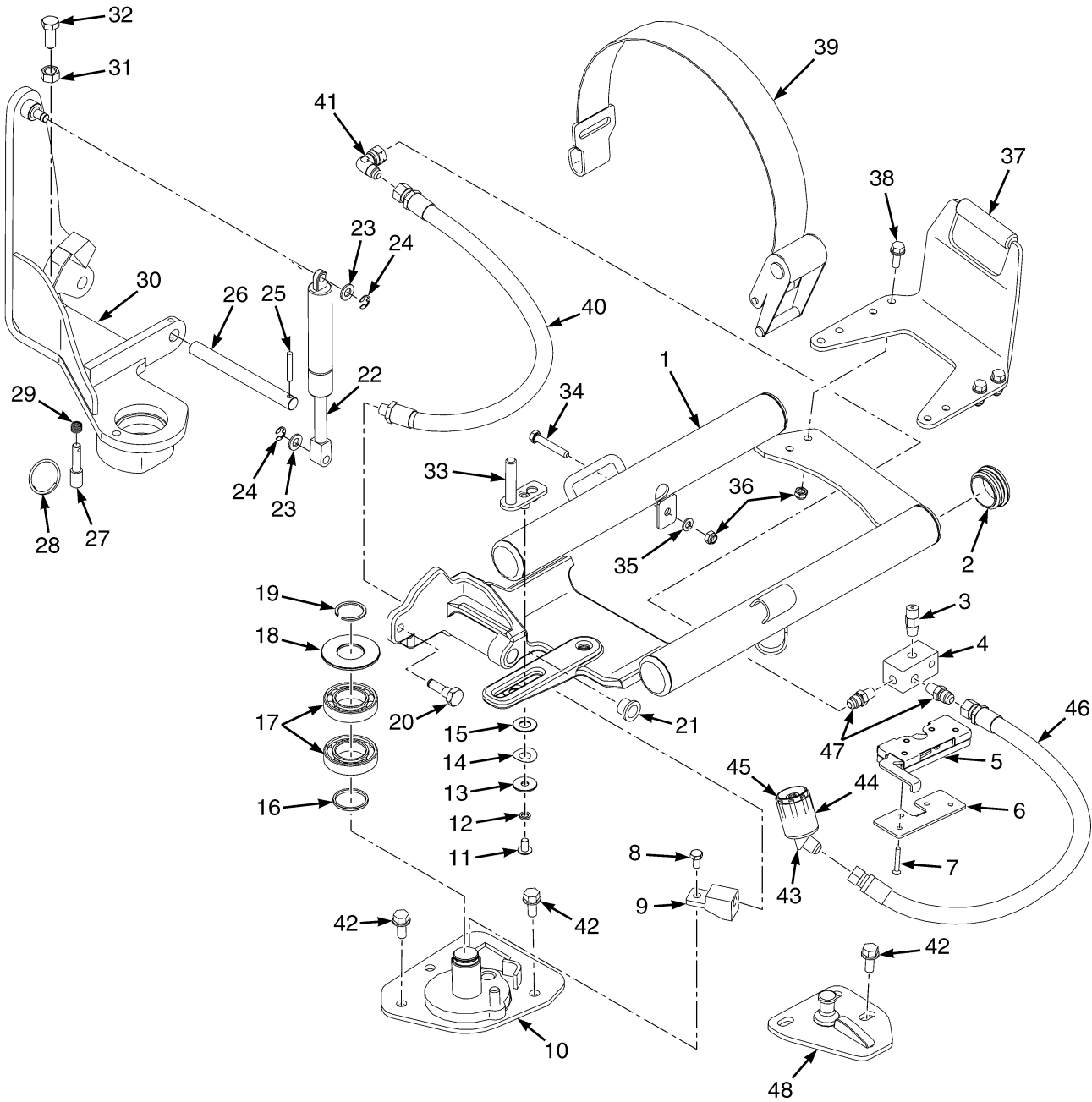
BP130496

**LPG TANK BRACKET  
SWING OUT**

ITEM	PART NO.	DESCRIPTION	QTY
1	4125107	LPG Tank Bracket .....	1
1	.....	Bracket Wldmt .....	1
2	1398099	Plug .....	4
3	1581556	Washer .....	1
4	1581583	Capscrew .....	1
5	101809	Relief Valve .....	1
6	4048941	Fitting (LPG Bulkhead Rear) .....	1
7	1656325	Latch .....	1
8	1649565	Plate .....	1
9	4054932	Capscrew .....	4
10	1656901	Base Plate .....	1
11	1525451	Fitting .....	1
12	1581579	Capscrew .....	1
13	1568853	Thrust Washer .....	1
14	184451	Ball Bearing .....	2
15	1568839	Washer (Pivot) .....	1
16	34507	Snap Ring .....	1
17	1534672	Ring .....	1
18	1615956	Pin .....	1
19	1528903	Spring .....	1
20	4032607	Pin (Alignment) .....	1
21	4029538	Washer .....	1
22	4029920	Washer .....	1
23	4032291	Washer .....	1
24	4031146	Capscrew .....	1
25	1581739	Nut .....	5
26	1583611	Capscrew .....	4
27	1689551	Plate .....	1
28	1586013	Capscrew .....	6
29	1688803	Shim .....	3
30	97999	Fitting .....	1
31	1682758	Striker .....	1
32	4619095	Hose Assy .....	1
33	16134	Fitting .....	2
34	16863	Fitting .....	1
35	2071517	Sleeve .....	1
36	4619094	Hose Assy .....	1
37	4051434	Fitting (Elbow) .....	1
38	1379455	Strap (Retension) .....	1
	<b>a</b> 246108	Sealant .....	AR
	<b>a</b> 1687376	Sealant (Alternate Part) .....	AR

**FOOTNOTES:****a** Not Illustrated

## LPG TANK BRACKET (FIGURE 5-14) SWING OUT, DROP DOWN



BP130497



**LPG TANK BRACKET  
SWING OUT, DROP DOWN**

ITEM	PART NO.	DESCRIPTION	QTY
1	4125108	LPG Tank Bracket .....	1
2	1398099	Plug .....	4
3	101809	Relief Valve .....	1
4	4048941	Fitting (LPG Bulkhead Rear) .....	1
5	1656325	Latch .....	1
6	1649565	Plate .....	1
7	4054932	Capscrew .....	4
8	1581579	Capscrew .....	1
9	1525451	Fitting .....	1
10	1656901	Base Plate .....	1
11	4031146	Capscrew .....	1
12	4032292	Spacer .....	1
13	4032291	Washer .....	1
14	4029920	Washer .....	1
15	4029538	Washer .....	1
16	1568853	Thrust Washer .....	1
17	184451	Ball Bearing .....	2
18	1568839	Washer (Pivot) .....	1
19	34507	Snap Ring .....	1
20	1525478	Pin .....	1
21	1581888	Bushing .....	2
22	1402414	Gas Spring .....	1
23	1581557	Washer .....	2
24	1525442	E-Ring .....	2
25	302468	Roll Pin .....	1
26	1581887	Shaft .....	1
27	1615956	Pin .....	1
28	1534672	Ring .....	1
29	1528903	Spring .....	1
30	1615671	Pivot .....	1
30	1627827	Pivot (Cast) (Optional) .....	1
30	1688719	Pivot (Optional) .....	1
31	1581848	Nut .....	1
32	1586022	Capscrew .....	1
33	4032607	Pin (Alignment) .....	1
34	1581583	Capscrew .....	1
35	1581556	Washer .....	1
36	1581739	Nut .....	5
37	1637661	Bracket .....	1
38	1583611	Capscrew .....	4
39	1379455	Strap (Retension) .....	1
40	4619094	Hose Assy .....	1
41	4051434	Fitting (Elbow) .....	1
42	1586013	Capscrew .....	6
43	16863	Fitting .....	1
44	2071517	Sleeve .....	1
45	97999	Fitting .....	1
46	4619574	Hose Assy .....	1
47	16134	Fitting .....	2
48	1682758	Striker .....	1

**LPG TANK BRACKET  
SWING OUT, DROP DOWN**

ITEM	PART NO.	DESCRIPTION	QTY
	a 246108	Sealant .....	AR
	a 1687376	Sealant .....	AR
	a 264134	Loctite .....	AR

**FOOTNOTES:**

a Not Illustrated

**6**

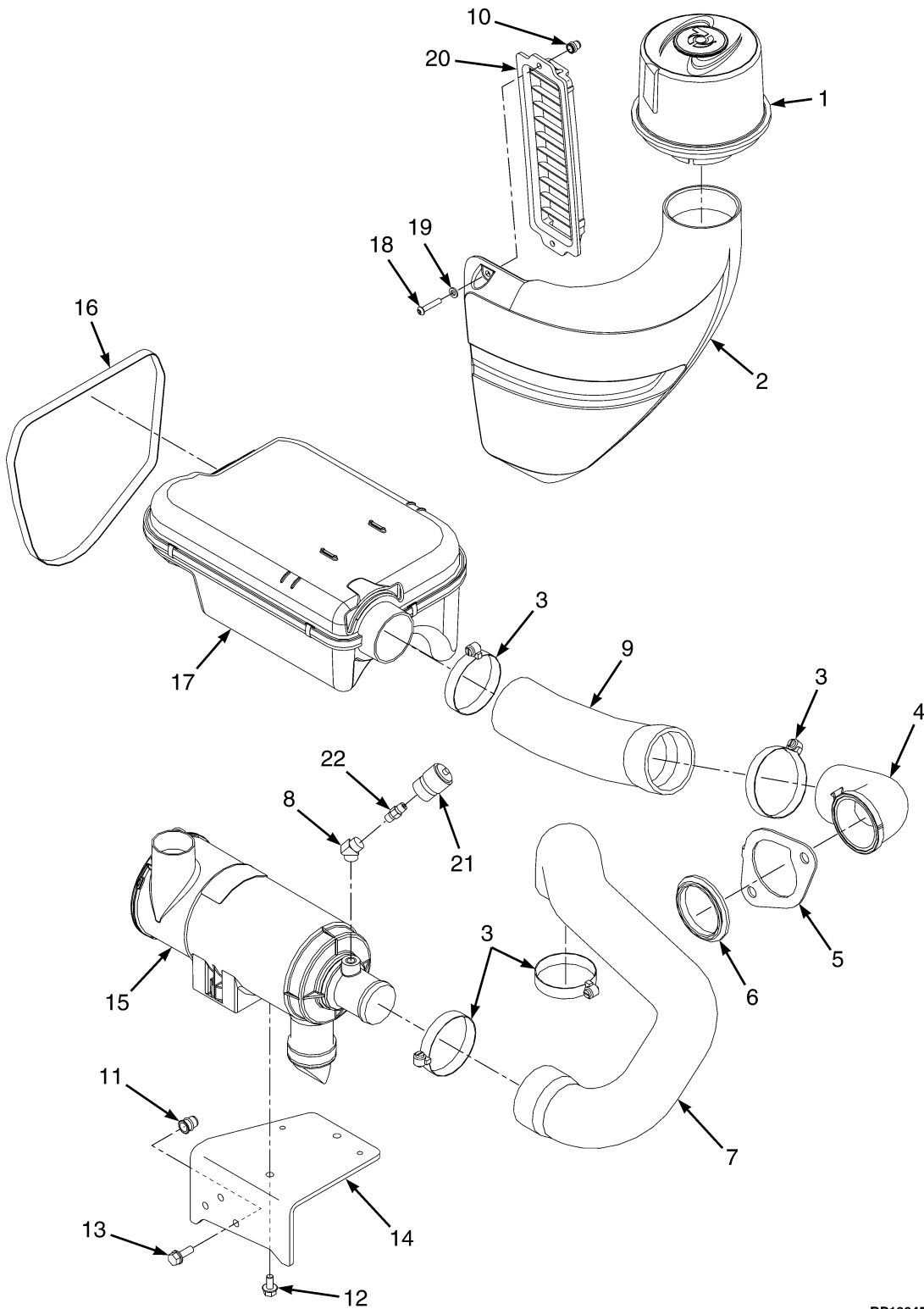
**FUEL SYSTEM-DIESEL**



## SECTION 6 FUEL SYSTEM-DIESEL

DESCRIPTION	PAGE
AIR FILTER ASSEMBLY	
YANMAR 2.6L 3.0L AND 3.3L .....	6-7
AIR INTAKE AND FILTER SYSTEM	
YANMAR 2.6L 3.0L AND 3.3L - WITH AUXILIARY INTAKE SILENCER .....	6-4
YANMAR 2.6L, 3.0L AND 3.3L DIESEL - WITHOUT AUXILIARY INTAKE SILENCER .....	6-2
AIR INTAKE SYSTEM	
PRE-CLEANER AND DUCT .....	6-6
FUEL FILTER AND WATER SEPARATOR	
YANMAR 2.6L , 3.0L AND 3.3L, DIESEL .....	6-10
FUEL INJECTION SYSTEM	
YANMAR 2.6L , 3.0L AND 3.3L, DIESEL .....	6-12
FUEL SYSTEM	
YANMAR 2.6L , 3.0L AND 3.3L, DIESEL .....	6-8
THROTTLE CABLE ASSEMBLY	
YANMAR 2.6L, 3.0L AND 3.3L, DIESEL .....	6-16
THROTTLE PEDAL ASSEMBLY AND ATTACHING PARTS	
MONOTROL PEDAL .....	6-20
STANDARD PEDAL .....	6-18
THROTTLE POSITION SENSOR AND ATTACHING PARTS	
YANMAR 2.6L , 3.0L AND 3.3L, DIESEL .....	6-14

## AIR INTAKE AND FILTER SYSTEM (FIGURE 6-1) YANMAR 2.6L, 3.0L AND 3.3L DIESEL — WITHOUT AUXILIARY INTAKE SILENCER



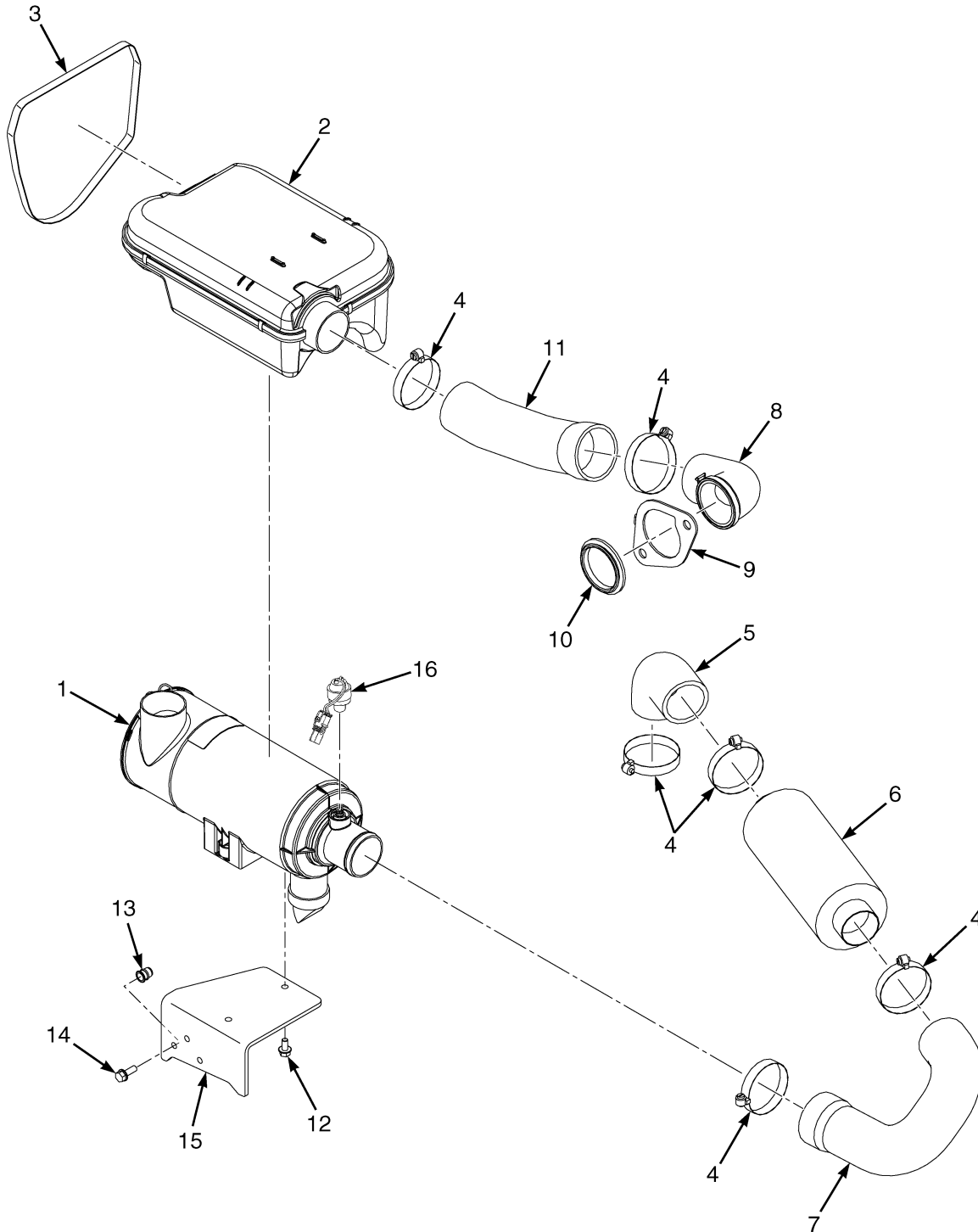
BP130455

**AIR INTAKE AND FILTER SYSTEM**  
**YANMAR 2.6L, 3.0L AND 3.3L DIESEL – WITHOUT AUXILIARY INTAKE SILENCER**

ITEM	PART NO.	DESCRIPTION	QTY
1	1501888	Pre-Cleaner (☞ Figure 6-3).....	1
2	1677793	Air Duct .....	1
3	1394008	Hose Clamp .....	4
4	1581438	Elbow .....	1
5	1581439	Retainer (Elbow) .....	1
6	1502079	Grommet .....	1
7	2075783	Hose (Clean Air) .....	1
8	17652	Fitting .....	1
9	1565212	Hose (Dirty Air) .....	1
10	1531558	Insert .....	2
11	1530243	Insert .....	3
12	4109993		
	1527879	Capscrew .....	2
13	1583611	Capscrew .....	3
14	4034386	Bracket (Alternate Part) .....	1
15	4612945	Air Filter (☞ Figure 6-4).....	1
16	1636797	Strap .....	1
17	2102226	Silencer .....	1
17	2092848	Clip .....	6
17	15871	O-Ring .....	1
18	2071261	Capscrew .....	2
19	1506738	Washer .....	2
20	2067476	Grill .....	1
21	165991	Indicator (Restriction) .....	1
22	16150	Fitting .....	1
	<b>a</b> 1704793	End Plug (OHG Leg) .....	1
	<b>a</b> 1677833	Screw (Pre-Cleaner Mounting) .....	3

**FOOTNOTES:****a** Not Illustrated

## AIR INTAKE AND FILTER SYSTEM (FIGURE 6-2) YANMAR 2.6L 3.0L AND 3.3L — WITH AUXILIARY INTAKE SILENCER



BP130311



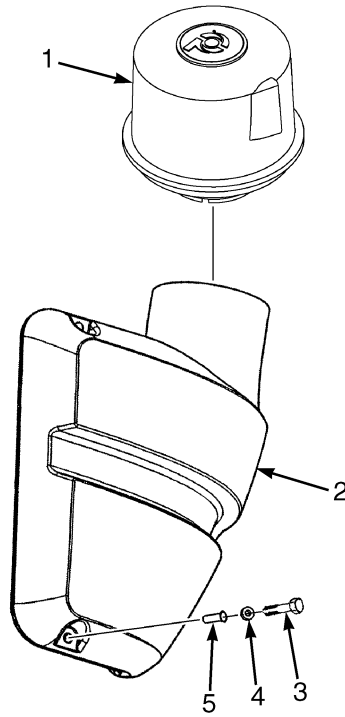
**AIR INTAKE AND FILTER SYSTEM**  
**YANMAR 2.6L 3.0L AND 3.3L – WITH AUXILIARY INTAKE SILENCER**

ITEM	PART NO.	DESCRIPTION	QTY
1	4612945	Air Filter (☞ Figure 6-4).....	1
2	2102226	Silencer .....	1
3	1636797	Strap .....	1
4	1394008	Hose Clamp .....	6
5	4607510	Hose (Clean Air) .....	1
6	4607291	Air Inlet (Silencer) .....	1
7	4607511	Hose (Clean Air) .....	1
8	1581438	Elbow .....	1
9	1581439	Retainer .....	1
10	1502079	Grommet .....	1
11	1565212	Hose .....	1
12	<del>4109993</del>		
	1527879	Capscrew .....	2
13	1530243	Insert .....	3
14	1583611	Capscrew .....	3
15	1501849	Bracket .....	1
15	4034386	Bracket (Alternate Part) .....	1
16	1529257	Sensor (Air Flow Restriction) .....	1
	<b>a</b> 16151	Fitting (Air Flow Sensor) .....	1

**FOOTNOTES:**

**a** Not Illustrated

## AIR INTAKE SYSTEM (FIGURE 6-3) PRE-CLEANER AND DUCT



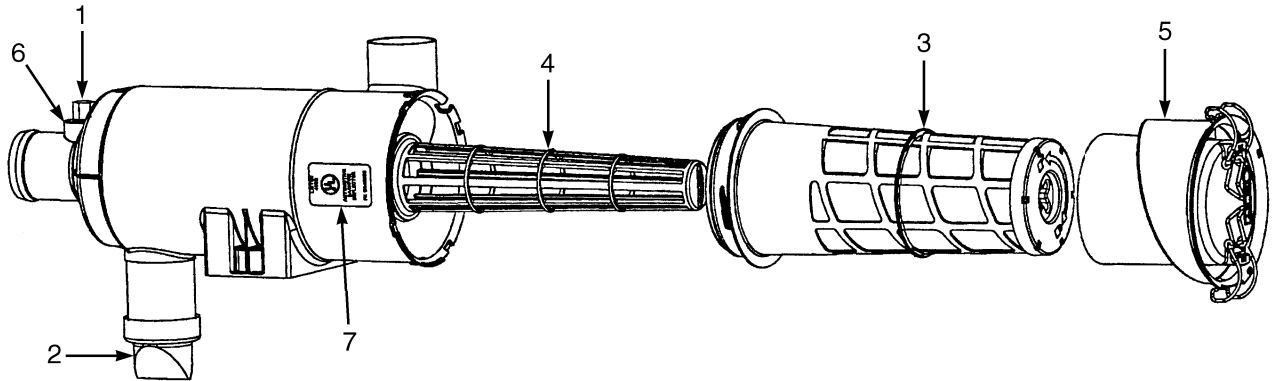
BP130092

ITEM	PART NO.	DESCRIPTION	QTY
1	1501888	Pre-Cleaner .....	1
2	1677793	Air Duct .....	1
3	2071261	Capscrew .....	2
4	1506738	Washer .....	2
5	1531558	Insert .....	2
	a 1677833	Screw (Pre-Cleaner Mounting) .....	1
	a 1704793	End Plug (OHG Leg) .....	1

### FOOTNOTES:

a Not Illustrated

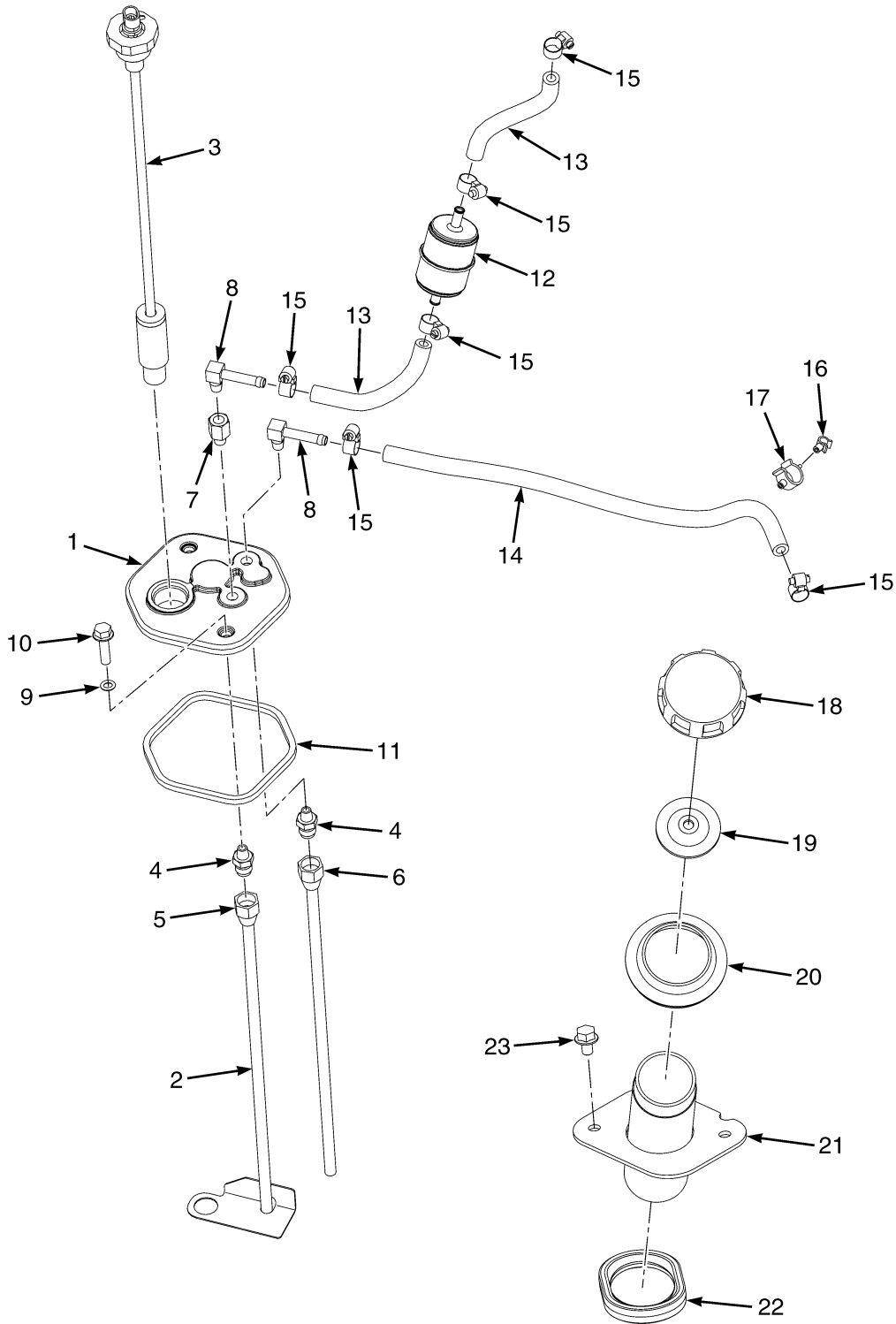
**AIR FILTER ASSEMBLY (FIGURE 6-4)**  
**YANMAR 2.6L 3.0L AND 3.3L**



HP091227

ITEM	PART NO.	DESCRIPTION	QTY
	4612945	Air Filter .....	1
1	141331	Cap .....	1
2	374923	Valve .....	1
3	1574111	Filter Element .....	1
4	1574260	Liner (With O-Ring) .....	1
5	1687933	Cover .....	1
6	4030497	Connector (Pipe Nipple) .....	1
	2095890	Label (Air Filter Installation) .....	1

## FUEL SYSTEM (FIGURE 6-5) YANMAR 2.6L , 3.0L AND 3.3L, DIESEL



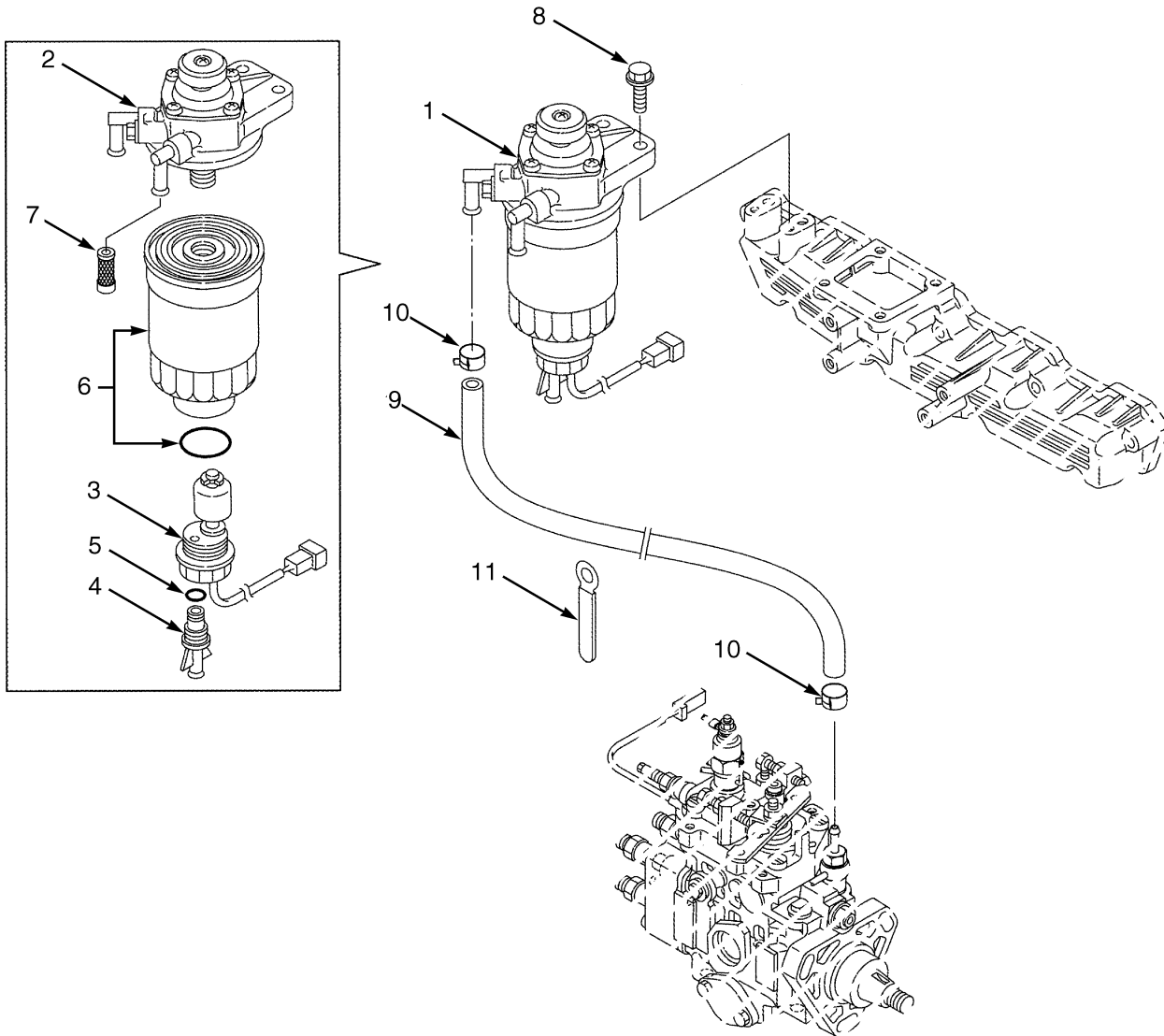
BP130492

**FUEL SYSTEM**  
**YANMAR 2.6L , 3.0L AND 3.3L, DIESEL**

ITEM	PART NO.	DESCRIPTION	QTY
1	4053789	Fuel Sender .....	1
1	1532528	Cover .....	1
2	1532530	Tube Assembly .....	1
3	1501811	Fuel Sender .....	1
4	14303	Fitting .....	2
5	16121	Fitting .....	1
6	1532526	Tube .....	1
7	28584	Fitting .....	1
8	222480	Fitting .....	2
9	353000	O-Ring .....	2
10	1527881	Capscrew .....	2
11	1528893	Quad Ring .....	1
12	4617767	Fuel Filter .....	1
13	4621731	Hose .....	2
14	1301601	Hose .....	1
15	168718	Clamp .....	6
16	1542440	Clamp (Swivel) .....	1
17	1543691	Clamp (Swivel) .....	1
18	2081840	Fuel Cap .....	1
19	2021683	Gasket .....	1
20	1528608	Grommet .....	1
21	1564392	Pipe (Fill) .....	1
22	1593391	Seal .....	1
23	1529366	Capscrew .....	2
	<b>a</b> 2058000	Adhesive .....	1

**FOOTNOTES:****a** Not Illustrated

## FUEL FILTER AND WATER SEPARATOR (FIGURE 6-6) YANMAR 2.6L , 3.0L AND 3.3L, DIESEL

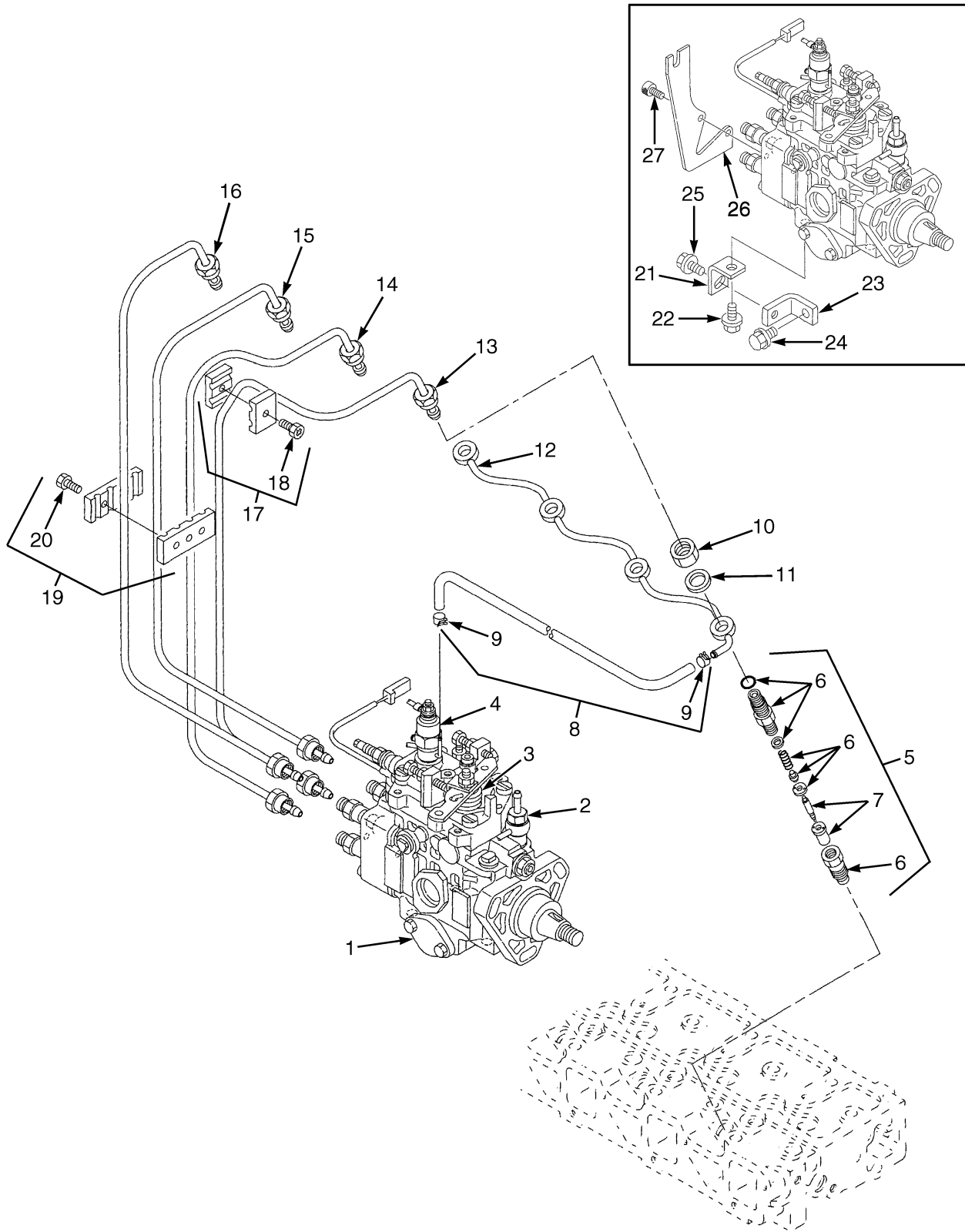


BP090212

**FUEL FILTER AND WATER SEPARATOR  
YANMAR 2.6L , 3.0L AND 3.3L, DIESEL**

ITEM	PART NO.	DESCRIPTION	QTY
	4626066	Engine Assy-Diesel (Yanmar 2.6L Non-Emissions) .....	1
	4626064	Engine Assy-Diesel (Yanmar 3.3L Non-Emissions) .....	1
	4620796	Engine Assy-Diesel (Yanmar 3.0L) .....	1
1	1599833	Fuel Filter (2.6L) .....	1
1	2084448	Fuel Filter (3.0L, 3.3L) .....	1
2	1599834	Body (Primer Pump) (2.6L) .....	1
2	2084449	Filter Head (3.0L, 3.3L) .....	1
3	1599835	Sensor (2.6L) .....	1
3	2084450	Sensor (3.0L, 3.3L) .....	1
4	1599836	Drain Plug (2.6L) .....	1
4	2084451	Plug (3.0L, 3.3L) .....	1
5	1599837	O-Ring (2.6L) .....	1
5	2084452	O-Ring (3.0L, 3.3L) .....	1
6	1330033	Fuel Filter (Cartridge 10 micron) (2.6L) .....	1
6	2084453	Element Assy (3.0L, 3.3L) .....	1
7	1599839	Filter (2.6L) .....	1
8	1599801	Bolt .....	2
9	1599841	Tube Assy .....	1
10	1599842	Clamp .....	2
11	1599843	Clamp .....	2

## FUEL INJECTION SYSTEM (FIGURE 6-7) YANMAR 2.6L , 3.0L AND 3.3L, DIESEL



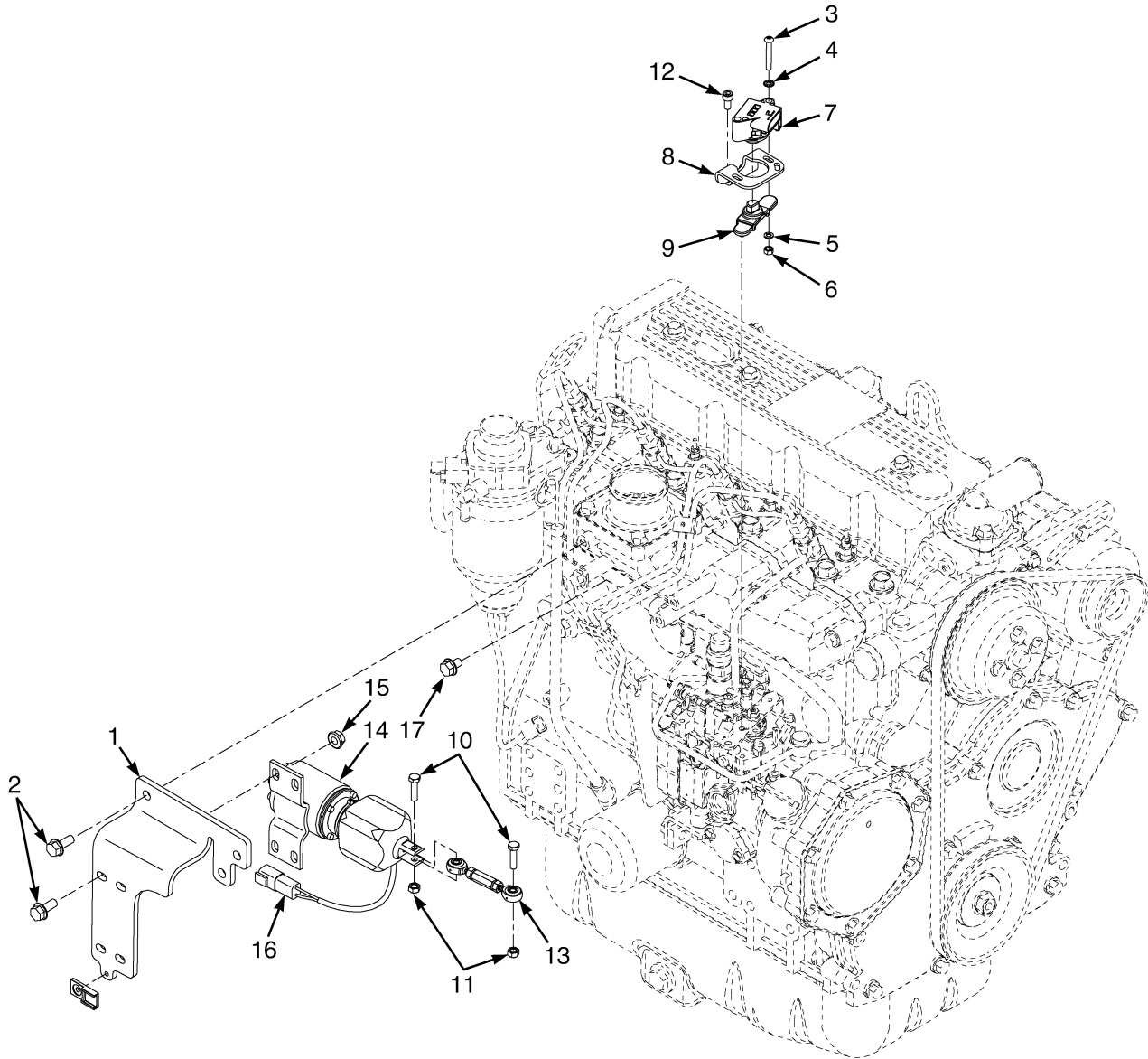
BP090190



**FUEL INJECTION SYSTEM**  
**YANMAR 2.6L , 3.0L AND 3.3L, DIESEL**

ITEM	PART NO.	DESCRIPTION	QTY
	4626066	Engine Assy-Diesel (Yanmar 2.6L Non-Emissions) .....	1
	4626064	Engine Assy-Diesel (Yanmar 3.3L Non-Emissions) .....	1
	4620796	Engine Assy-Diesel (Yanmar 3.0L) .....	1
1	1708457	Fuel Pump Assembly (Injection 2.6L) .....	1
1	4068203	Fuel Pump (3.0L) .....	1
1	1689747	Fuel Pump (3.3L) .....	1
2	1608616	Solenoid (Fuel Shut-Off) .....	1
2	1608617	O-Ring .....	1
3	4021384	Spring (Yanmar 2.6L) .....	1
4	1597644	Solenoid Valve (Cold Start) .....	1
4	1600093	O-Ring .....	1
5	1599818	Injector .....	4
6	1599820	Retainer .....	1
7	1599819	Nozzle .....	1
8	1599828	Tube Assy .....	1
9	1599829	Clamp .....	2
10	1599832	Nut .....	4
11	1599831	Gasket .....	4
12	1599830	Tube Assy (Fuel Return) .....	1
13	1599827	Tube Assy (#4) .....	1
14	1599826	Tube Assy (#3) .....	1
15	1599825	Tube Assy (#2) .....	1
16	1599824	Tube Assy (#1) .....	1
17	1599821	Retainer .....	2
18	1599822	Bolt .....	1
19	1599823	Retainer .....	1
20	1599822	Bolt .....	2
21	1599909	Retainer .....	1
22	1599911	Bolt .....	1
23	1599910	Bracket .....	1
24	1599913	Bolt .....	1
25	1599912	Bolt .....	1
26	1599907	Bracket .....	1
27	1599908	Bolt .....	2
	1599898	Kit-Gasket (2.6L Engine Complete) .....	1
	4068363	Gasket -Kit (3.0L) .....	1
	1689744	Kit-Gasket (Complete Engine) (3.3L) .....	1

## THROTTLE POSITION SENSOR AND ATTACHING PARTS (FIGURE 6-8) YANMAR 2.6L , 3.0L AND 3.3L, DIESEL

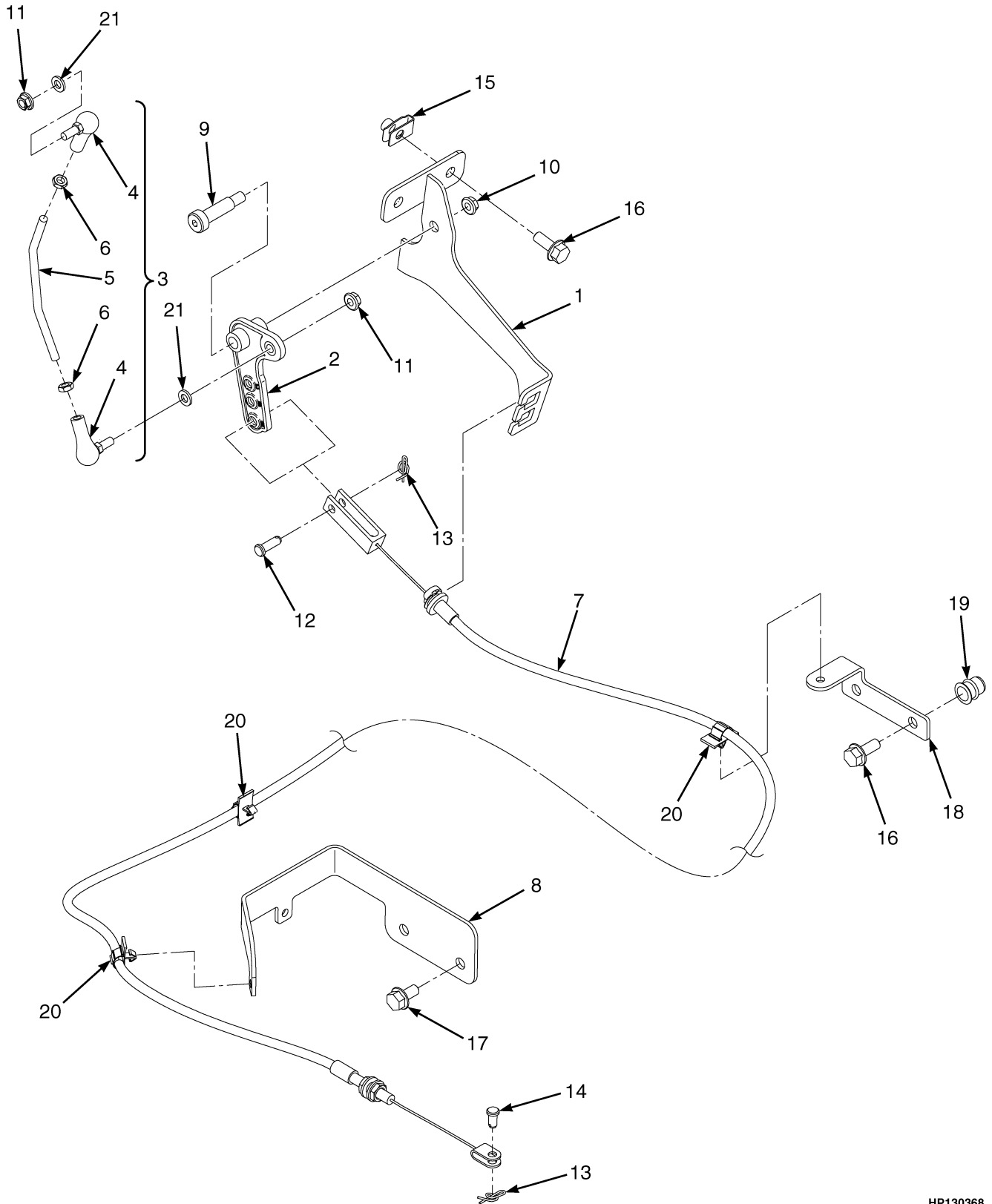


BP130308

**THROTTLE POSITION SENSOR AND ATTACHING PARTS**  
**YANMAR 2.6L , 3.0L AND 3.3L, DIESEL**

ITEM	PART NO.	DESCRIPTION	QTY
1	4097551	Bracket .....	1
2	1527880	Capscrew .....	7
3	1553897	Capscrew .....	2
4	296378	Washer .....	2
5	292679	Washer .....	2
6	292668	Nut .....	2
7	2080376	Sensor (Hall Throttle Postion) .....	1
8	1616491	Bracket .....	1
9	2078335	Rotor .....	1
10	287816	Capscrew .....	2
11	302399	Nut .....	2
12	293762	Capscrew .....	2
13	4633728	Linkage .....	1
14	2107187	Actuator .....	1
15	1502543	Nut (Flange) .....	4
16	1500912	Clip .....	1
16	1344124	Fastener .....	1
17	1529366	Capscrew .....	2

## THROTTLE CABLE ASSEMBLY (FIGURE 6-9) YANMAR 2.6L, 3.0L AND 3.3L, DIESEL

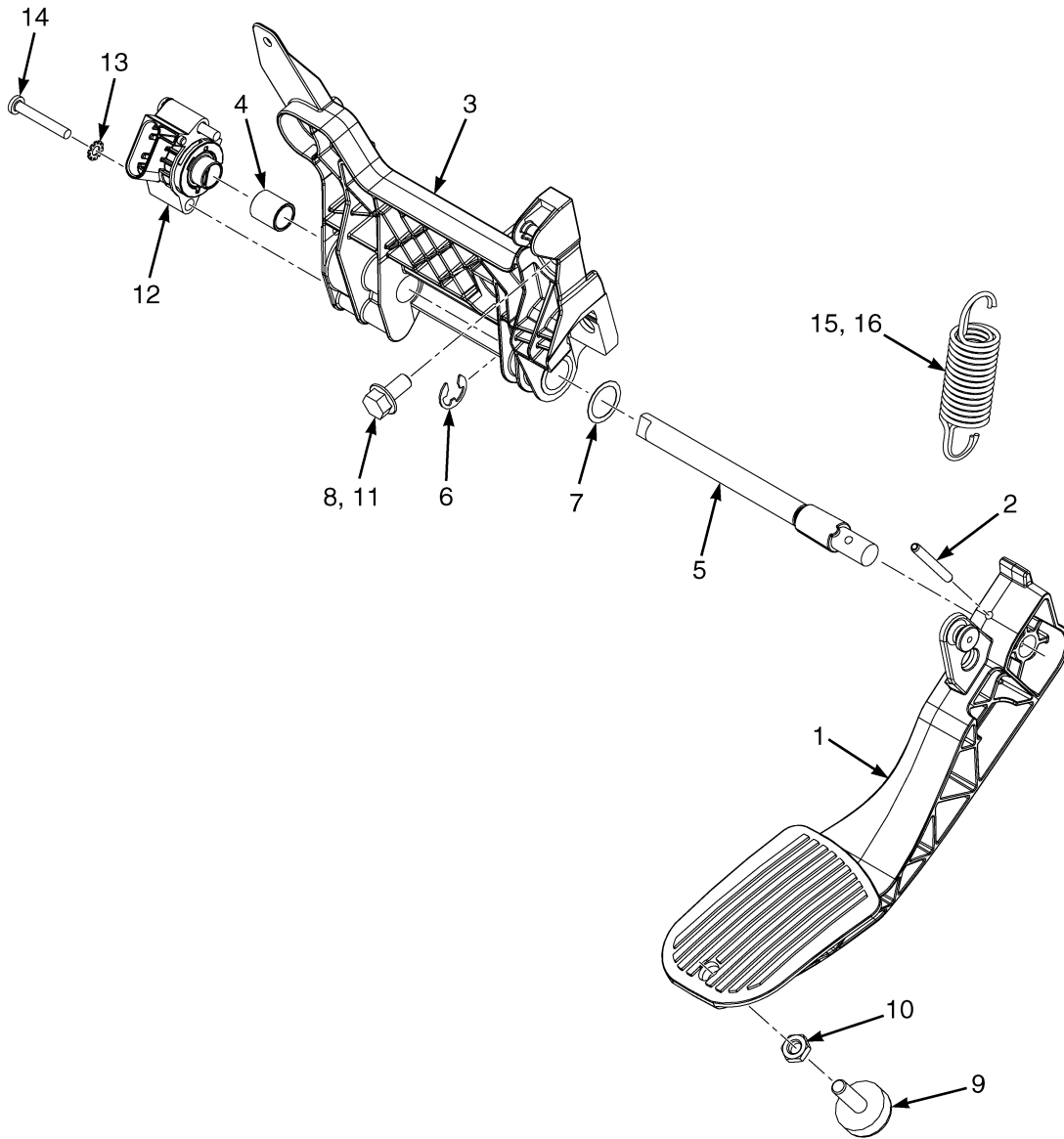


HP130368

**THROTTLE CABLE ASSEMBLY**  
**YANMAR 2.6L, 3.0L AND 3.3L, DIESEL**

ITEM	PART NO.	DESCRIPTION	QTY
1	1539298	Bracket (Throttle Cable) .....	1
2	1538162	Bellcrank .....	1
3	1538782	Push Rod Assembly .....	1
4	2027949	Ball Joint .....	2
5	1538490	Push Rod .....	1
6	2308541	Nut .....	2
7	2067396	Throttle Cable .....	1
8	1542500	Bracket .....	1
9	1399802	Bolt .....	1
10	302400	Nut .....	1
11	1514429	Nut .....	2
12	126	Pin .....	1
13	1517361	Locking Ring Cotter Pin .....	2
14	128263	Pin .....	1
15	1480237	Nut .....	2
16	1510113	Capscrew .....	2
17	<del>4109993</del>		
	1527879	Capscrew .....	4
18	1542082	Bracket .....	1
19	1530243	Insert .....	2
20	1562088	Clip .....	3
21	<del>4093489</del>		
	320156	Washer .....	2

## THROTTLE PEDAL ASSEMBLY AND ATTACHING PARTS (FIGURE 6-10) STANDARD PEDAL

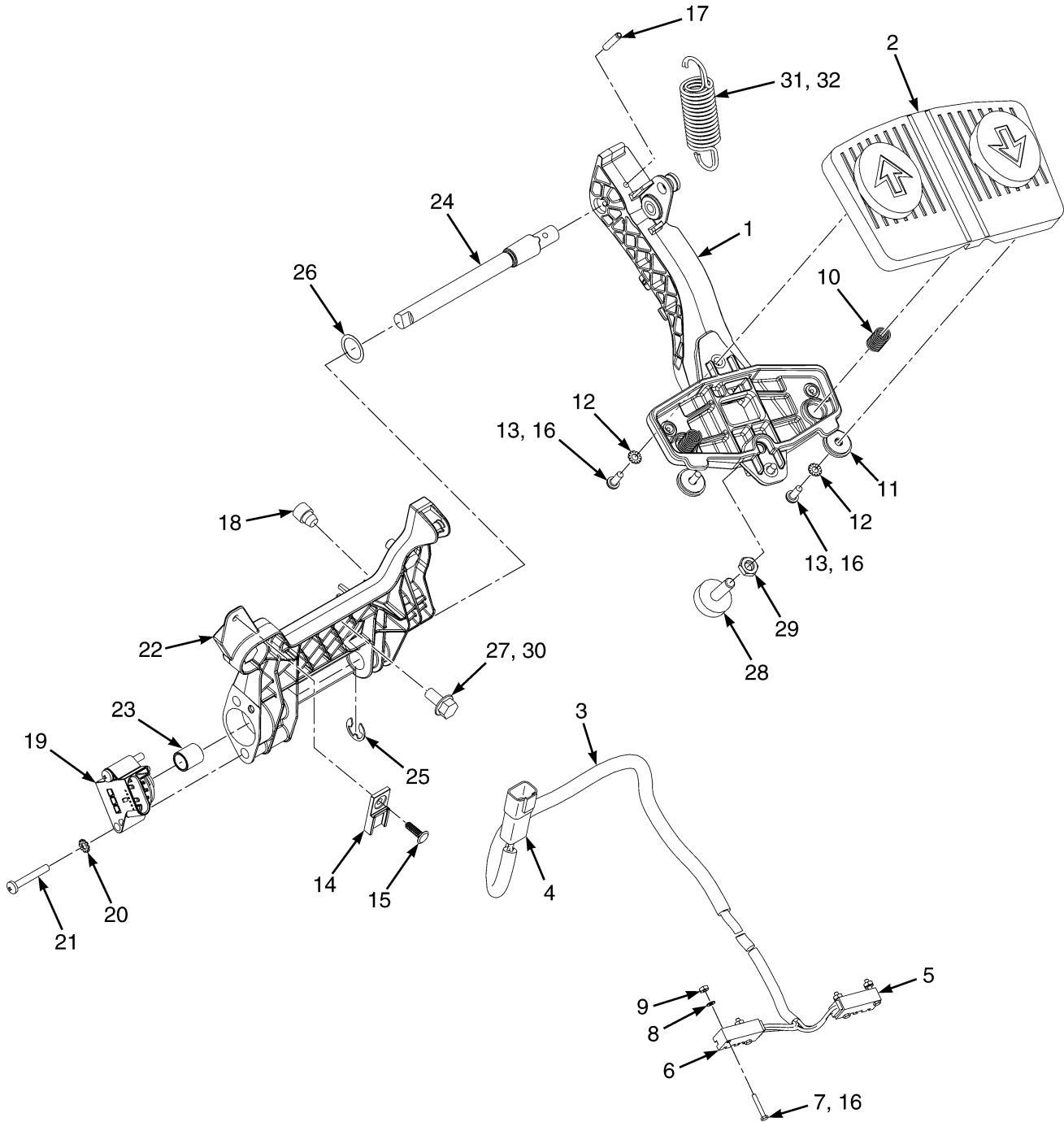


BP130362

**THROTTLE PEDAL ASSEMBLY AND ATTACHING PARTS  
STANDARD PEDAL**

ITEM	PART NO.	DESCRIPTION	QTY
1	2071181	Pedal (Standard) .....	1
2	302443	Roll Pin .....	1
3	4051924	Base Assembly (Throttle) .....	1
3	4615964	Molding .....	1
4	1524267	Bushing .....	1
5	1654754	Shaft .....	1
6	1530971	E-Ring .....	1
7	1654156	Shim .....	AR
8	4109993		
	1527879	Capscrew .....	3
9	1530311	Screw (Stop) .....	1
10	329069	Nut .....	1
11	251099	Loctite .....	AR
12	2063842	Sensor (Hall Throttle Position) .....	1
13	296378	Washer .....	2
14	1564752	Capscrew .....	2
15	1582301	Spring (Inner) .....	1
16	1582300	Spring (Outer) .....	1

## THROTTLE PEDAL ASSEMBLY AND ATTACHING PARTS (FIGURE 6-11) MONOTROL PEDAL



BP130363



**THROTTLE PEDAL ASSEMBLY AND ATTACHING PARTS  
MONOTROL PEDAL**

ITEM	PART NO.	DESCRIPTION	QTY
	4051938	Pedal Assy (Monotrol) .....	1
1	2074702	Pedal .....	1
2	1340470	Pad .....	1
3	4634485	Wire Harness .....	1
4	.....	Connector Assembly (To Cowl Harness) .....	1
4	1489655	Connector (4 Way) .....	1
4	1330416	Connector .....	1
4	1531312	Terminal .....	4
5	.....	Switch (Reverse) .....	1
6	.....	Switch (Forward) .....	1
7	220428	Screw .....	4
8	53162	Lockwasher .....	4
9	16865	Nut .....	4
10	325699	Spring .....	2
11	4040523	Washer (Bonded) .....	2
12	15931	Lockwasher .....	4
13	16708	Screw .....	4
14	1500912	Clip .....	1
15	1582464	Fastener .....	1
16	360387	Loctite .....	AR
17	302437	Roll Pin .....	1
18	4031769	Isolator (Throttle Pedal) .....	1
19	2063842	Sensor (Hall Throttle Position) (To Cowl Harness) .....	1
20	296378	Washer .....	2
21	1564752	Capscrew .....	2
22	4051924	Base Assembly (Throttle) .....	1
22	4615964	Molding .....	1
23	1524267	Bushing .....	1
24	1654754	Shaft .....	1
25	1530971	E-Ring .....	1
26	1654156	Shim .....	AR
27	4109993	.....	.....
	1527879	Capscrew .....	3
28	1530311	Screw (Stop) .....	1
29	329069	Nut .....	1
30	251099	Loctite .....	AR
31	1582301	Spring (Inner) .....	1
32	1582300	Spring (Outer) .....	1



**7**

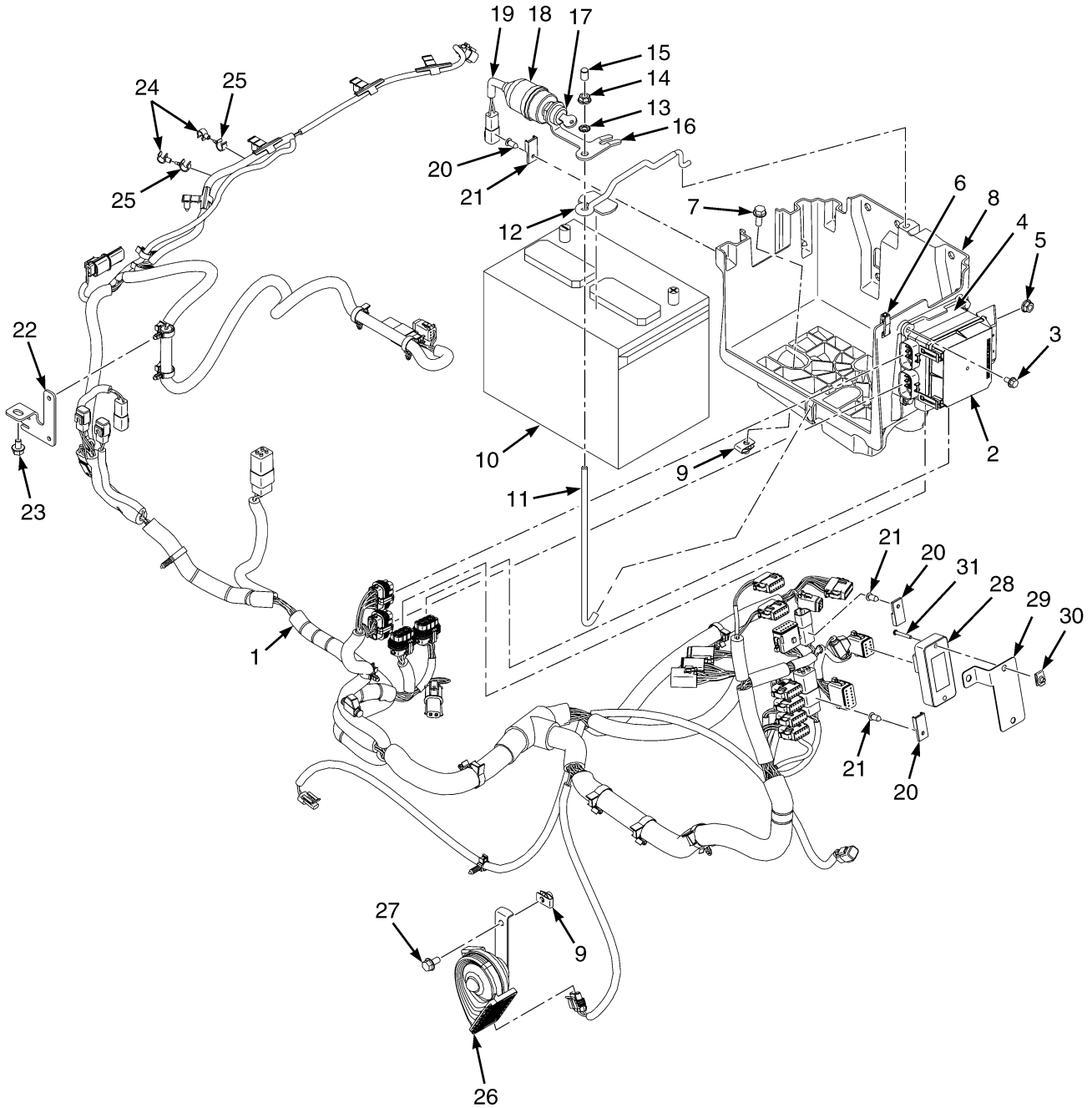
**ELECTRICAL SYSTEM-COMMON**



## SECTION 7 ELECTRICAL SYSTEM-COMMON

DESCRIPTION	PAGE
COWL ELECTRICAL	
ELECTRO-HYDRAULIC .....	7-6
MANUAL HYDRAULIC - WITH OPERATOR PRESENCE SYSTEM .....	7-4
ELECTRICAL SYSTEM	
RH CHASSIS .....	7-2
IMPACT SENSOR .....	7-10
INSTRUMENT CLUSTER .....	7-18
LIGHTS	
BRAKE, TAIL, BACKUP, SIDE, TURN SIGNALS, WORK, STROBE - WITH OVERHEAD GUARD .....	7-12
BRAKE, TAIL, BACKUP, SIDE, TURN SIGNALS, WORK, STROBE - WITH CAB .....	7-14
LOAD WEIGH ELECTRICAL .....	7-16
MAST ELECTRICAL .....	7-20
MINI-LEVER CONTROLS	
WITH ARMREST - THREE FUNCTION .....	7-24
WITH ARMREST - FOUR FUNCTION .....	7-26
POWER DISTRIBUTION MODULE .....	7-8
SEAT BELT SWITCH ADAPTER .....	7-80
TRANSMISSION ELECTRICAL .....	7-22
WIRE HARNESS	
ADAPTER - LOW FUEL PRESSURE .....	7-54
AIR CONDITIONER .....	7-82
AIR CONDITIONING JUMPER .....	7-84
COWL WITH FORWARD/REVERSE LEVER - WITHOUT RETURN TO SET TILT .....	7-32
COWL WITH FORWARD/REVERSE LEVER - WITH HYDRAULIC PUMP SOLENOID .....	7-36
COWL WITH MONOTROL PEDAL - WITH RETURN TO SET TILT .....	7-28
COWL WITH MONOTROL PEDAL - WITH HYDRAULIC PUMP SOLENOID .....	7-40
ELECTRONIC CONTROL VALVE - THREE FUNCTION .....	7-44
ELECTRONIC CONTROL VALVE - FOUR FUNCTION .....	7-46
LIGHTS .....	7-48
RH CHASSIS - KUBOTA 2.5L AND PSI 2.4L LPG .....	7-56
RH CHASSIS - YANMAR 2.6L, 3.0L AND 3.3L, DIESEL .....	7-68
RH CHASSIS WITH SEAT BELT SEQUENCE MODULE - KUBOTA 2.5L AND PSI 2.4L LPG .....	7-62
RH CHASSIS WITH SEAT BELT SEQUENCE MODULE - YANMAR 2.6L, 3.0L AND 3.3L, DIESEL .....	7-74
TRANSMISSION - SINGLE SPEED .....	7-50
TRANSMISSION - DUAL SPEED .....	7-52

## ELECTRICAL SYSTEM (FIGURE 7-1) RH CHASSIS



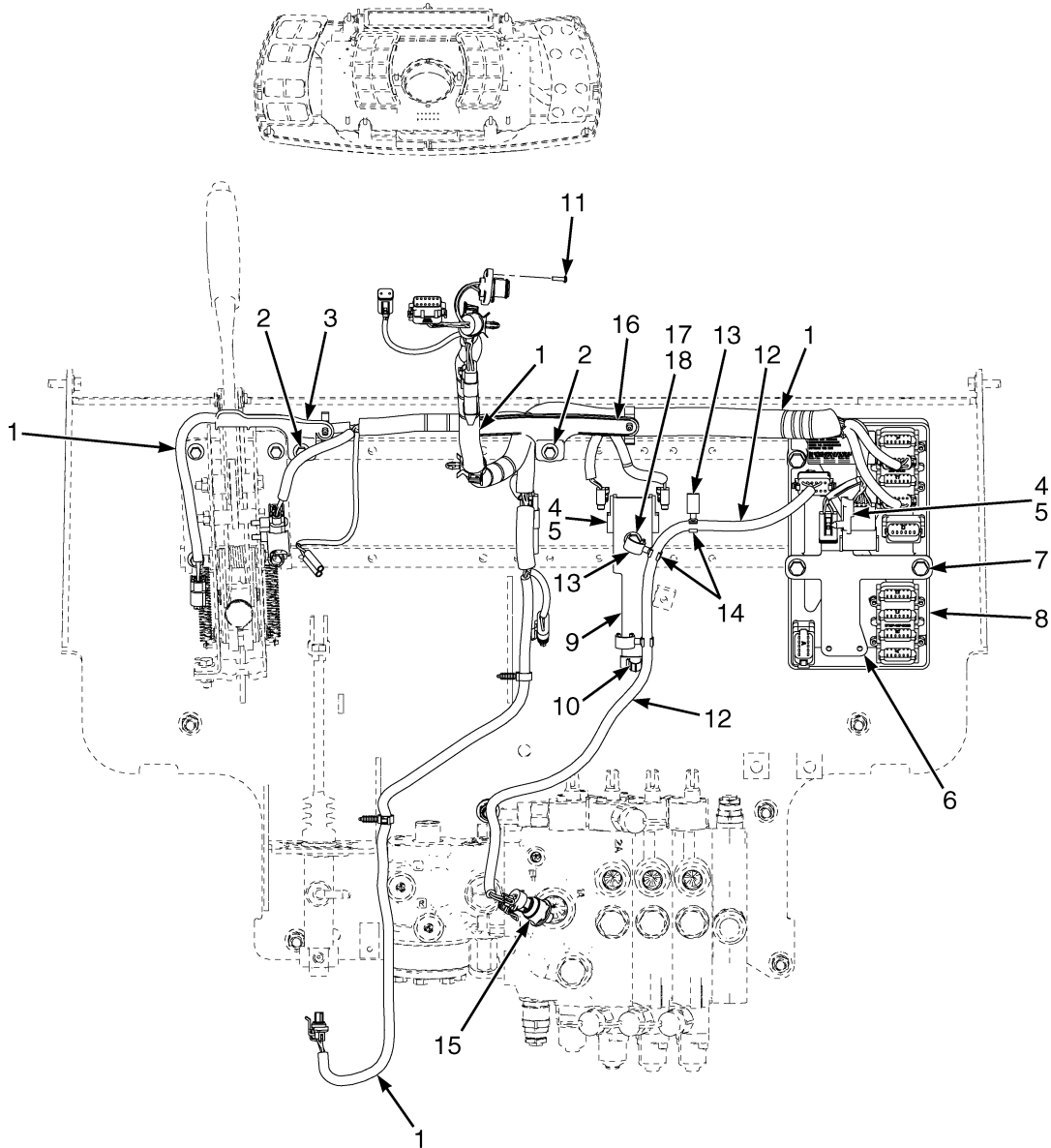
BP081842

**ELECTRICAL SYSTEM  
RH CHASSIS**

ITEM	PART NO.	DESCRIPTION	QTY
1	4630231	Wire Harness (Chassis) (PSI 2.4L/Kubota 2.5L LPG) (☞Figure 7-24).....	1
1	4629784	Wire Harness (Chassis) (Yanmar 2.6L, 3.0L 3.3L) (☞Figure 7-26).....	1
1	<b>a</b> 4635258	Wire Harness (Chassis) (PSI 2.4L/Kubota 2.5L LPG) (☞Figure 7-25).....	1
1	<b>a</b> 4635288	Wire Harness (Chassis) (Yanmar 2.6L, 3.0L 3.3L) (☞Figure 7-27).....	1
2	2090613	Fuse Box (PDM) (☞Figure 7-4).....	1
3	1534417	Capscrew .....	3
4	1559928	Seal .....	1
5	1502543	Nut (Flange) .....	2
6	1402883	Fuse Puller .....	1
7	1527880	Capscrew .....	3
8	2090661	Battery Tray (Plastic) .....	1
9	1480237	Nut .....	4
10	1643935	Start Battery Wet (LPG) .....	1
10	1643936	Start Battery Wet (Diesel) .....	1
11	2065745	Link (Battery Hold Down) .....	1
12	1641368	Link (Battery Hold Down) .....	1
13	296380	Washer .....	1
14	1502543	Nut (Flange) .....	1
15	1540805	Cap .....	1
16	1582337	Bracket (Remote Keyswitch) .....	1
17	2058111	Ignition Switch (Remote Keyswitch) .....	1
18	190383	Boot (Remote Keyswitch) .....	1
19	2058110	Wire Harness (Remote Keyswitch) .....	1
19	1493465	Connector (2 Pin) .....	1
19	1330414	Connector (Secondary Lock) .....	2
19	1330437	Terminal (Pin) .....	2
19	1497433	Ring Terminal .....	2
20	1582464	Fastener .....	7
21	1500912	Clip .....	5
22	1617080	Bracket (Hood Switch) .....	1
23	1529366	Capscrew .....	1
24	1561871	Clamp (Swivel) .....	2
25	1573549	Clamp .....	2
26	4077726	Horn (Electronic) .....	1
27	4109993		
	1527879	Capscrew .....	1
28	<b>a</b> 4634955	Control Module (Seat Belt Sequence) .....	1
29	<b>a</b> 4102512	Bracket .....	1
30	<b>a</b> 1537551	Nut (Clip) .....	2
31	<b>a</b> 1672692	Screw .....	2

**FOOTNOTES:****a** With Seat Belt Sequence Module

## COWL ELECTRICAL (FIGURE 7-2) MANUAL HYDRAULIC — WITH OPERATOR PRESENCE SYSTEM



BP081825

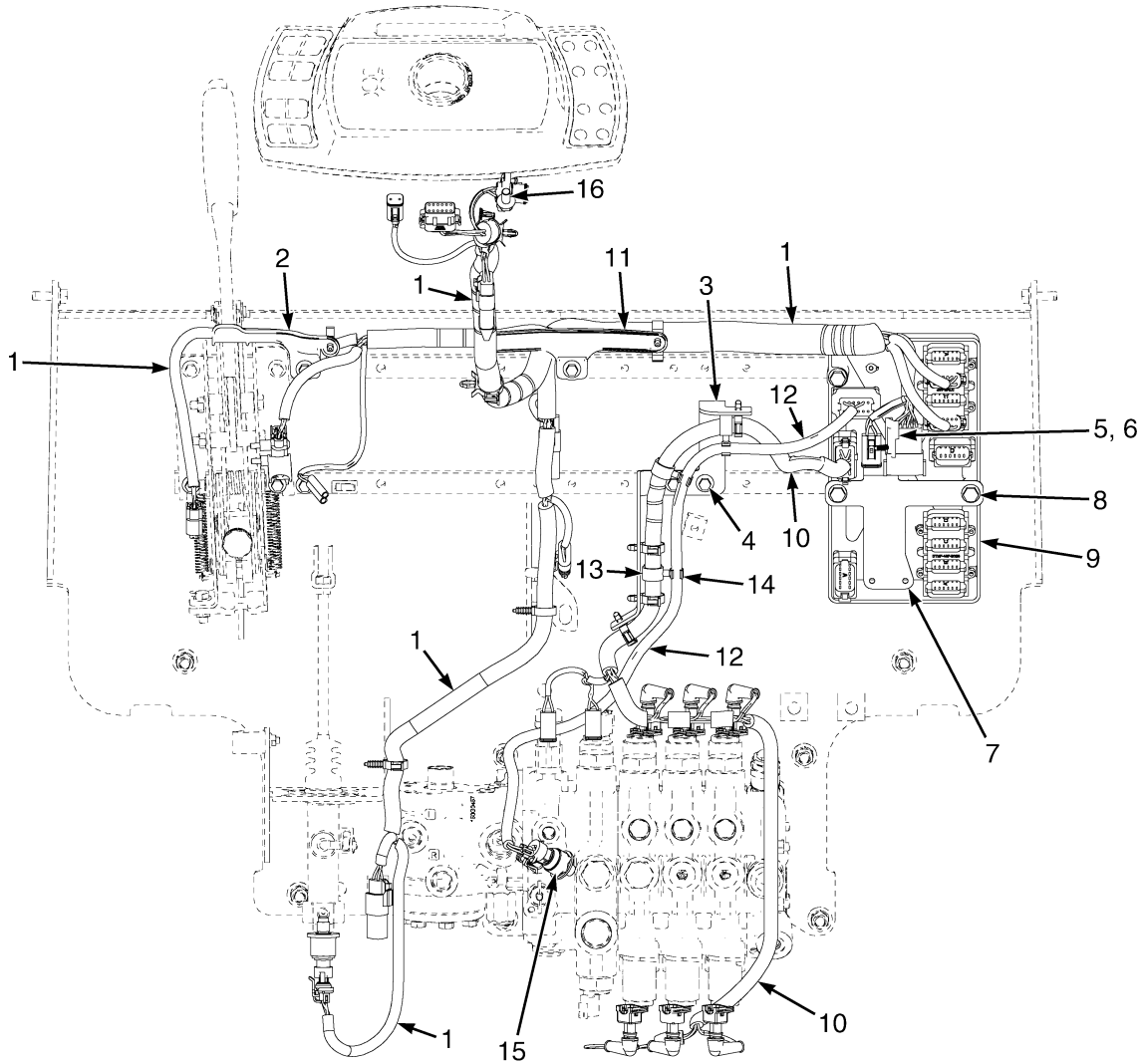


**COWL ELECTRICAL**  
**MANUAL HYDRAULIC – WITH OPERATOR PRESENCE SYSTEM**

**KEY:****A: Cowl w/ Monotrol Pedal****B: Cowl w/ Forward Reverse Mini-Lever**

ITEM	PART NO.	DESCRIPTION	QTY	
			A	B
1	4603281	Wire Harness (Cowl) (☞Figure 7-17).....	1	..
1	4603282	Wire Harness (Cowl) (☞Figure 7-16).....	..	1
2	4011940	Capscrew .....	2	2
3	2111004	Bracket (Left Hand) .....	1	1
4	1500912	Clip (With Monotrol) .....	4	3
5	1582464	Fastener (With Monotrol) .....	4	3
6	1582465	Bracket .....	1	1
7	1510115	Capscrew .....	3	3
8	2068342	Vehicle System Manager (VSM) (w/ Manual Hydraulics) .....	1	1
9	1684542	Bracket .....	1	1
10	1562088	Clip .....	1	1
11	1554902	Screw .....	2	2
12	2079326	Wire Harness (Load Weigh) (☞Figure 7-8).....	1	1
13	1606544	Clamp (Swivel) .....	3	3
14	1573549	Clamp .....	3	3
15	1606735	Sensor (Load Sensing) .....	1	1
16	2111005	Bracket (Right Hand) .....	1	1
17	1528482	Capscrew .....	1	1
18	1398062	Nut (Fold Over) .....	1	1

## COWL ELECTRICAL (FIGURE 7-3) ELECTRO-HYDRAULIC



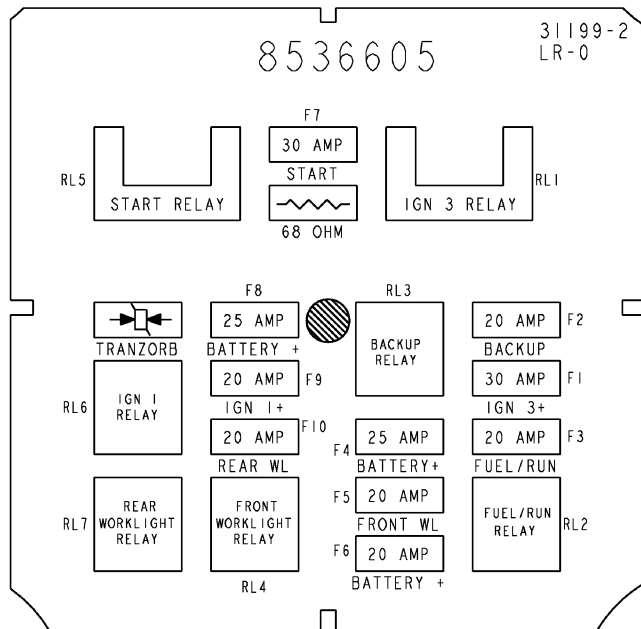
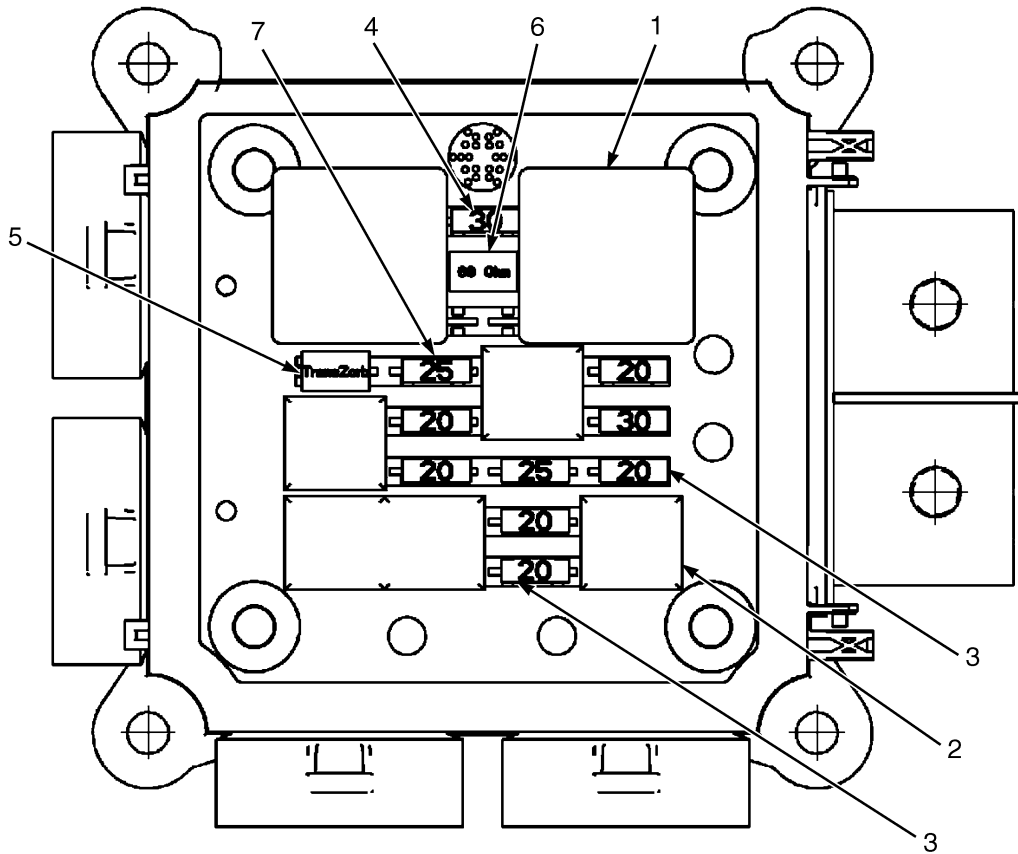
BP081637

**COWL ELECTRICAL  
ELECTRO-HYDRAULIC****KEY:****A: Cowl w/ Monotrol Pedal****B: Cowl w/ Forward Reverse Mini-Lever**

ITEM	PART NO.	DESCRIPTION	QTY	
			A	B
1	4603283	Wire Harness (Cowl) (☞Figure 7-14).....	1	..
1	4603280	Wire Harness (Cowl) (☞Figure 7-15).....	..	1
2	2111004	Bracket (Left Hand) .....	1	1
3	1531975	Bracket .....	1	1
4	4011940	Capscrew .....	4	4
5	1500912	Clip .....	3	1
6	1582464	Fastener .....	3	1
7	1582465	Bracket .....	1	1
8	1510115	Capscrew .....	3	3
9	<b>b</b> 2068343	Vehicle System Manager (VSM) (w/ Electro-Hydraulics) .....	1	1
9	2068344	Vehicle System Manager (VSM) (w/ Cab and with or without Electro-Hydraulics) .....	1	1
10	4605072	Wire Harness (Electronic Control Valve) (Three Function) (☞Figure 7-18).....	1	1
10	4605073	Wire Harness (Electronic Control Valve) (Four Function) (☞Figure 7-19).....	1	1
11	2111005	Bracket (Right Hand) .....	1	1
12	2079326	Wire Harness (Load Weigh) (☞Figure 7-8).....	1	1
13	1606544	Clamp (Swivel) .....	3	3
14	1573549	Clamp .....	3	3
15	1606735	Sensor (Load Sensing) .....	1	2
16	1554902	Screw .....	2	2
	<b>a</b> 1563841	Dust Cap .....	1	1

**FOOTNOTES:****a** Connect to VSM if Load Weigh Harness is not installed.**b** With Overhead Guard

## POWER DISTRIBUTION MODULE (FIGURE 7-4)



BP080485

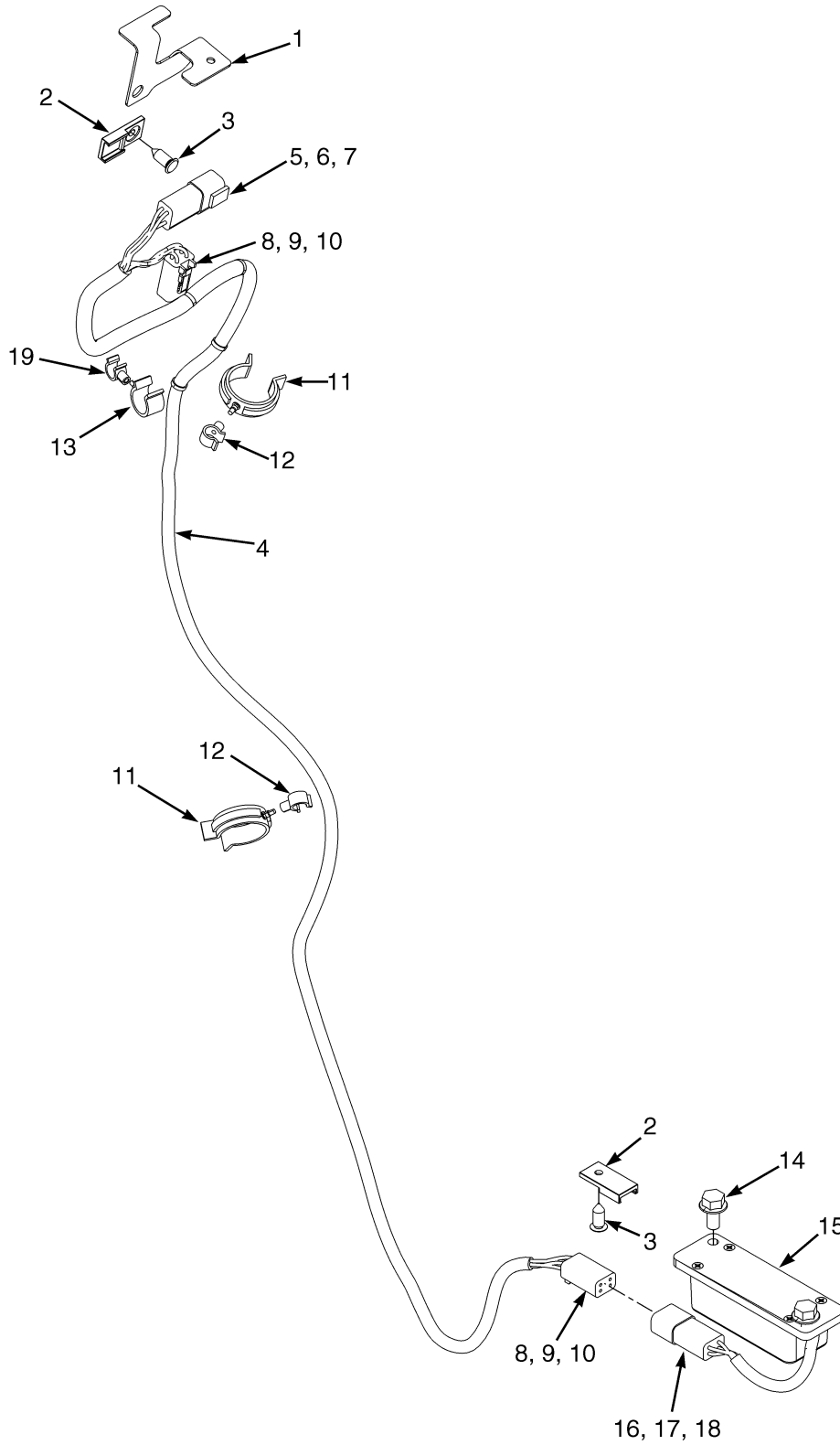
**POWER DISTRIBUTION MODULE**

ITEM	PART NO.	DESCRIPTION	QTY
	2090613	Fuse Box (PDM) .....	1
1	2044712	Relay (30 Amp) .....	2
2	1528315	Relay (20 Amp) .....	5
3	1528132	Fuse (20 Amp) .....	6
4	1528133	Fuse (30 Amp) .....	2
5	1528630	Semiconductor .....	1
6	1528631	Resistor (68 Ohm, 5 Watt) .....	1
7	1544255	Fuse (25 Amp) .....	2
	<b>a</b> 4046933	Fuse Box Cover .....	1

**FOOTNOTES:**

**a** Not Illustrated

## IMPACT SENSOR (FIGURE 7-5)

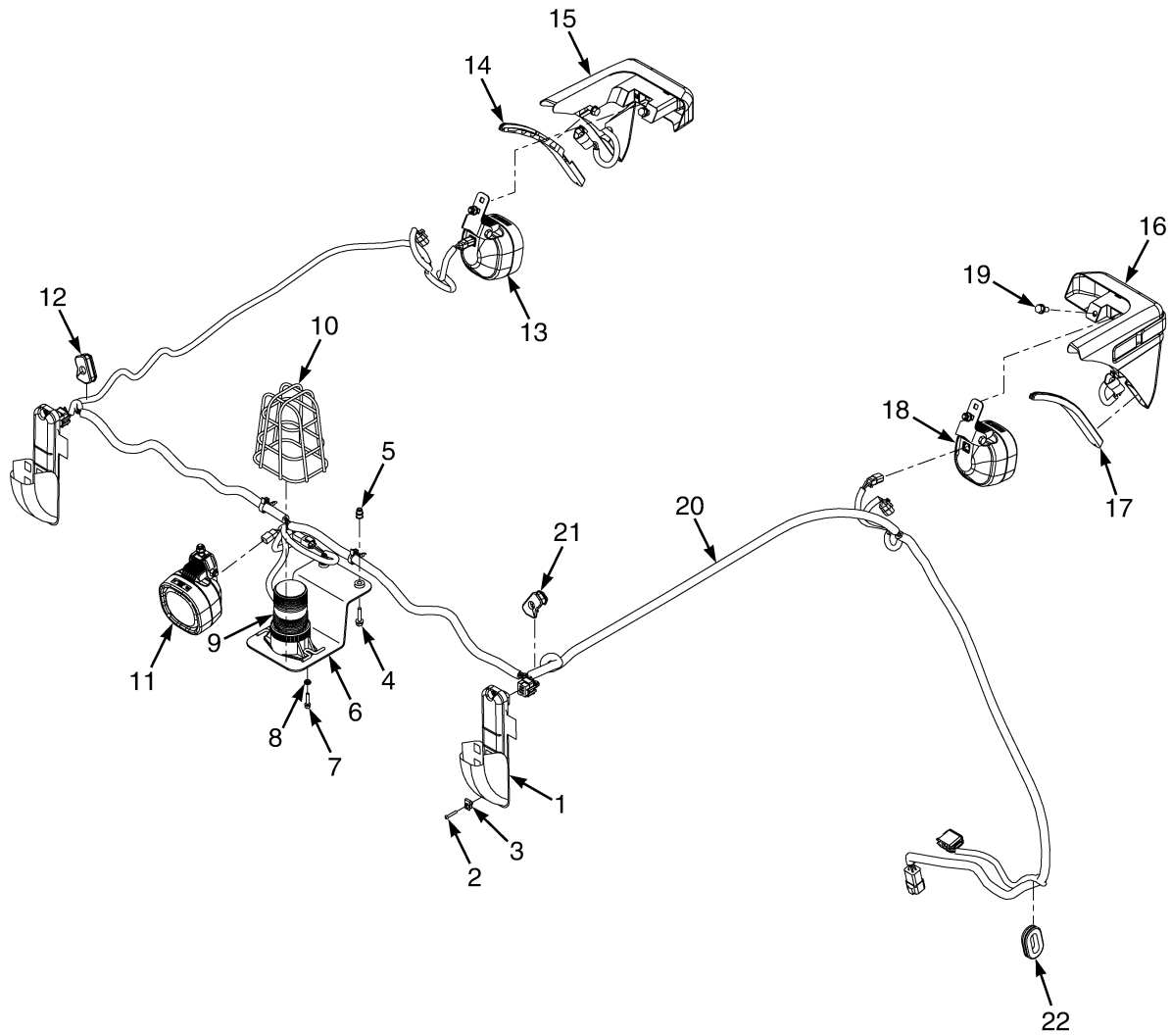


BP080394

**IMPACT SENSOR**

ITEM	PART NO.	DESCRIPTION	QTY
1	1535166	Bracket .....	1
2	1500912	Clip .....	2
3	1582464	Fastener .....	2
3	2100710	Fastener (Alternate Part) .....	1
4	2079281	Wire Harness (Impact Sensor) .....	1
5	1489655	Connector (4 Way) .....	1
6	1330416	Connector .....	1
7	1330437	Terminal (Pin) .....	4
8	1489656	Connector (4-Way) .....	2
9	1489657	Connector .....	2
10	1330438	Terminal (Socket) .....	8
11	1561759	Clamp (Swivel) .....	2
12	1542439	Clamp (Swivel) .....	2
13	1502055	Clamp (Swivel) .....	1
14	287851	Capscrew .....	2
14	320157	Washer .....	2
15	2079843	Sensor (Impact) .....	1
16	1489655	Connector (4 Way) .....	1
17	1330416	Connector .....	1
18	1330433	Terminal .....	4
19	1502053	Clamp (Swivel) .....	1

## LIGHTS (FIGURE 7-6) BRAKE, TAIL, BACKUP, SIDE, TURN SIGNALS, WORK, STROBE — WITH OVERHEAD GUARD



BP080868



## LIGHTS

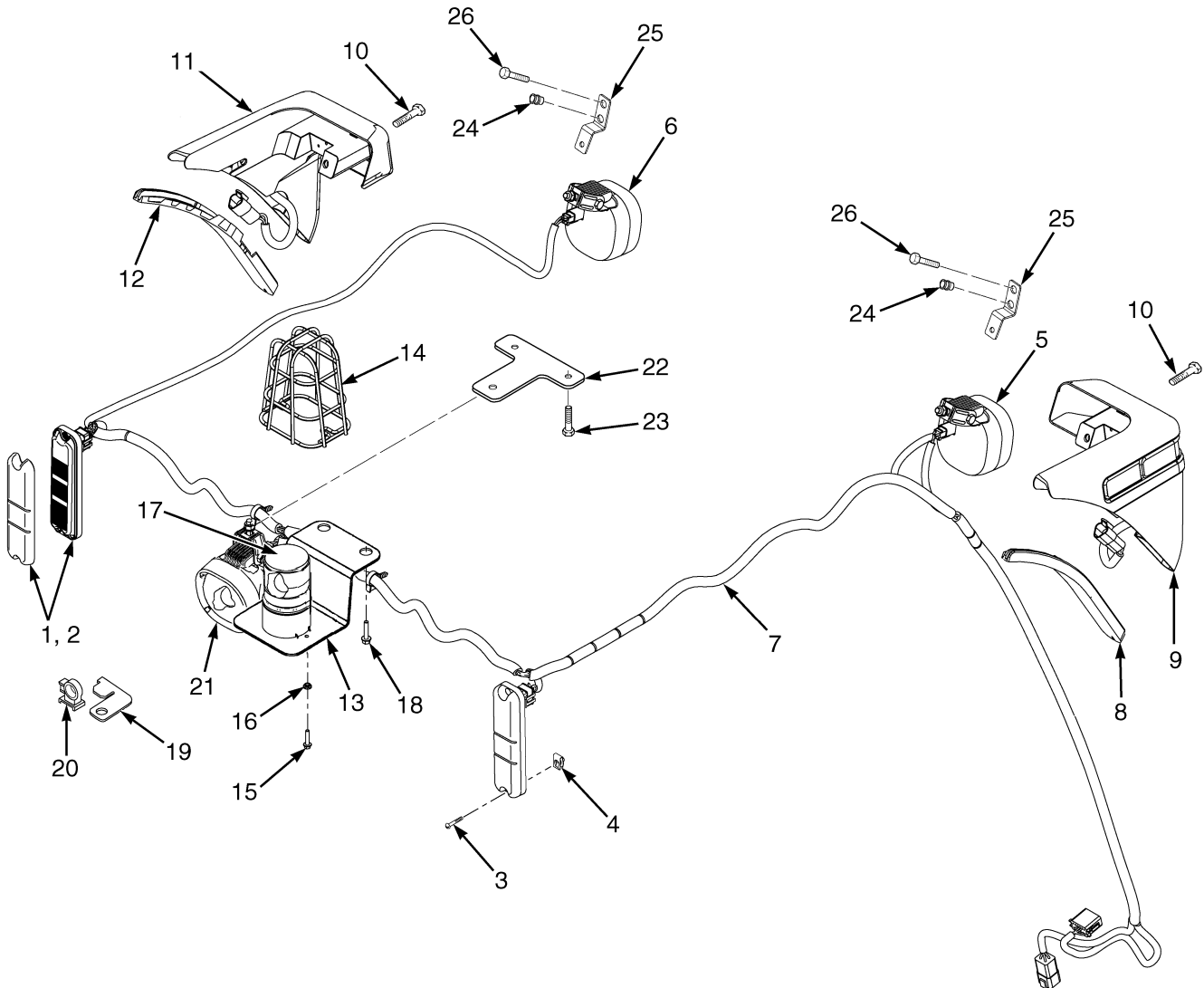
### BRAKE, TAIL, BACKUP, SIDE, TURN SIGNALS, WORK, STROBE – WITH OVERHEAD GUARD

ITEM	PART NO.	DESCRIPTION	QTY
1	2056824	Brake/Backup Light (Stop, Turn, Tail, And Back-Up) .....	2
1	<b>a</b> 2107957	Tail Light Base (RH) (☞Figure 1-40).....	1
1	<b>a</b> 2107958	Tail Light Base (LH) (☞Figure 1-40).....	1
2	1565125	Screw .....	4
3	1537551	Nut (Clip) .....	4
4	1586495	Capscrew .....	2
5	1531001	Insert .....	2
6	1565076	Bracket Wldmt .....	1
7	1586759	Capscrew .....	2
8	1586428	Nut .....	2
9	1654013	Strobe Light Assembly (☞Figure 19-1).....	1
10	1302024	Guard (Strobe Light) .....	1
11	2107382	Worklight (Rear) (LED) .....	1
11	2098083	Work Light (Rear) (Halogen) .....	1
11	2098082	Bulb (Halogen) .....	1
12	1560448	Grommet (Left Hand Tail Light) .....	1
13	2107386	Head/Work Light (LH Front) (LED) .....	1
13	2098087	Work Light (LH Front) (Halogen) .....	1
13	2098082	Bulb (Halogen) .....	1
14	1608590	Trim (Left Hand) .....	1
15	2070562	Turn Signal Light (LH Front) .....	1
15	2070563	Cap (Black Plastic) .....	2
15	1493466	Connector .....	1
15	1330415	Connector .....	1
15	1330437	Terminal (Pin) .....	3
16	2070561	Turn Signal Light (RH Front) .....	1
16	2070563	Cap (Black Plastic) .....	2
16	1493466	Connector .....	1
16	1330415	Connector .....	1
16	1330437	Terminal (Pin) .....	3
17	1608589	Trim (Right Hand) .....	1
18	2107385	Head/Work Light (RH Front) (LED) .....	1
18	2098086	Work Light (RH Front) (Halogen) .....	1
18	2098082	Bulb (Halogen) .....	1
19	1608654	Capscrew .....	4
20	2098387	Wire Harness (Lights) (☞Figure 7-20).....	1
21	1560447	Grommet (Right Hand Tail Light) .....	1
22	1539584	Grommet (Vehicle System Manager) .....	1

**FOOTNOTES:**

- a** See Floorplates and Covers

## LIGHTS (FIGURE 7-7) BRAKE, TAIL, BACKUP, SIDE, TURN SIGNALS, WORK, STROBE — WITH CAB



BP080870

## LIGHTS

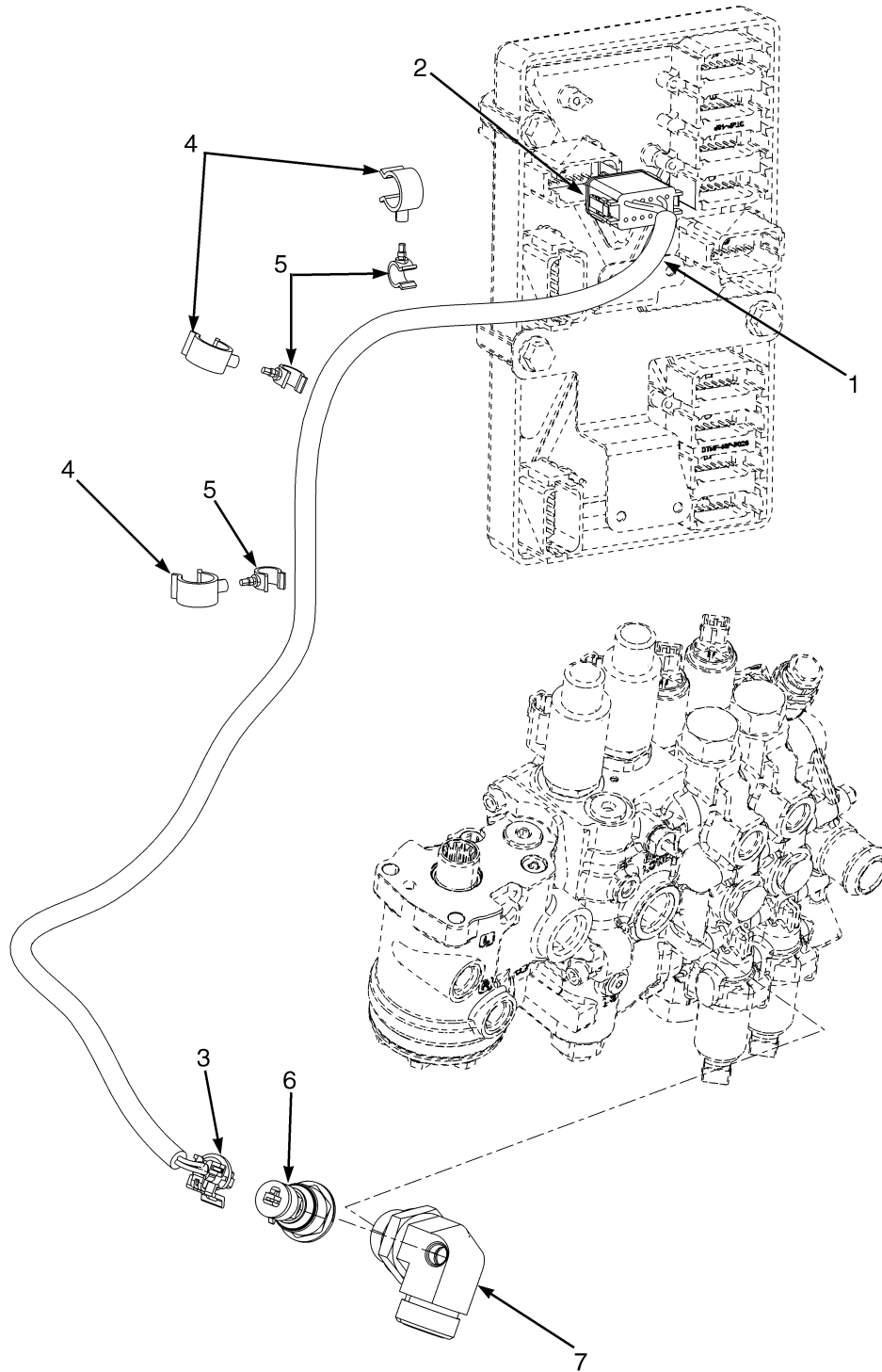
### BRAKE, TAIL, BACKUP, SIDE, TURN SIGNALS, WORK, STROBE – WITH CAB

ITEM	PART NO.	DESCRIPTION	QTY
1	2056824	Brake/Backup Light (Stop, Turn, Tail, And Back-Up) .....	2
2	<b>a</b> 2056826	Reflector (Tail) .....	2
3	1565125	Screw .....	4
4	1537551	Nut (Clip) .....	4
5	2107383	Worklight (RH Front) (LED) .....	1
5	2098084	Work Light (RH Front) (Halogen) .....	1
5	2098082	Bulb (Halogen) .....	1
6	2107384	Worklight (LH Front) (LED) .....	1
6	2098085	Work Light (LH Front) (Halogen) .....	1
6	2098082	Bulb (Halogen) .....	1
7	1647440	Wire Harness (Cab) .....	1
8	1608591	Trim (RH) .....	1
9	2070561	Turn Signal Light (RH Front) .....	1
9	2070563	Cap (Black Plastic) .....	2
9	1493466	Connector .....	1
9	1330415	Connector .....	1
9	1330437	Terminal (Pin) .....	3
10	1613324	Capscrew .....	4
11	2070562	Turn Signal Light (LH Front) .....	1
11	2070563	Cap (Black Plastic) .....	2
11	1493466	Connector .....	1
11	1330415	Connector .....	1
11	1330437	Terminal (Pin) .....	3
12	1608592	Trim (LH) .....	1
13	1565076	Bracket Wldmt .....	1
14	1302024	Guard (Strobe Light) .....	1
15	1586759	Capscrew .....	2
16	1586428	Nut .....	2
17	1654013	Strobe Light Assembly (☞Figure 19-1).....	1
18	1586495	Capscrew .....	2
19	1532759	Clip .....	1
20	1532775	Clip .....	1
21	2098083	Work Light (Rear) (Halogen) .....	1
21	2098082	Bulb (Halogen) .....	1
21	2107382	Worklight (Rear) (LED) .....	1
22	1698541	Bracket .....	1
23	1586495	Capscrew .....	2
24	1531557	Insert .....	4
25	1698542	Bracket .....	2
26	1583611	Capscrew .....	4

**FOOTNOTES:**

**a** Optional

## LOAD WEIGH ELECTRICAL (FIGURE 7-8)

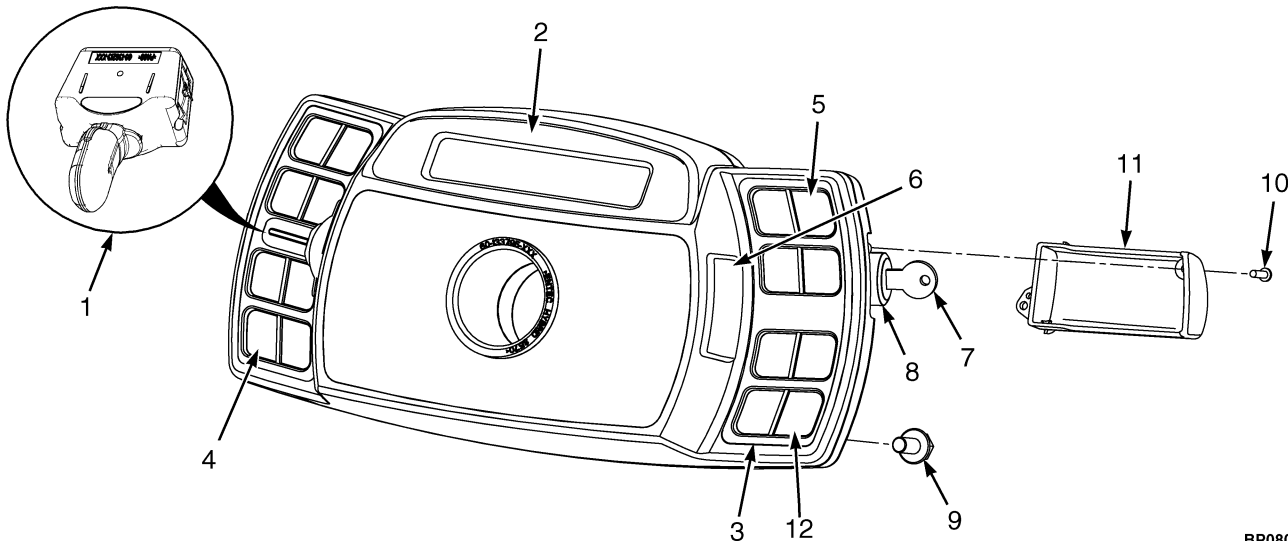


BP080413

**LOAD WEIGH ELECTRICAL**

<b>ITEM</b>	<b>PART NO.</b>	<b>DESCRIPTION</b>	<b>QTY</b>
1	2079326	Wire Harness (Load Weigh) .....	1
2	1525565	Connector .....	1
2	1500913	Connector .....	1
2	1330438	Terminal (Socket) .....	3
2	1484377	Plug .....	9
3	1603021	Connector .....	1
3	1603236	Connector (Secondary Lock) .....	1
3	1548517	Terminal (Socket) .....	3
3	1548519	Seal .....	3
4	1606544	Clamp (Swivel) .....	3
5	1573549	Clamp .....	3
6	1606735	Sensor (Load Sensing) .....	1
7	1605768	Fitting (Load Weigh Display) .....	1

## INSTRUMENT CLUSTER (FIGURE 7-9)



BP080816

**KEY:**

- A:** Standard Ignition Switch - With Cab
- B:** Standard Ignition Switch - With Overhead Guard

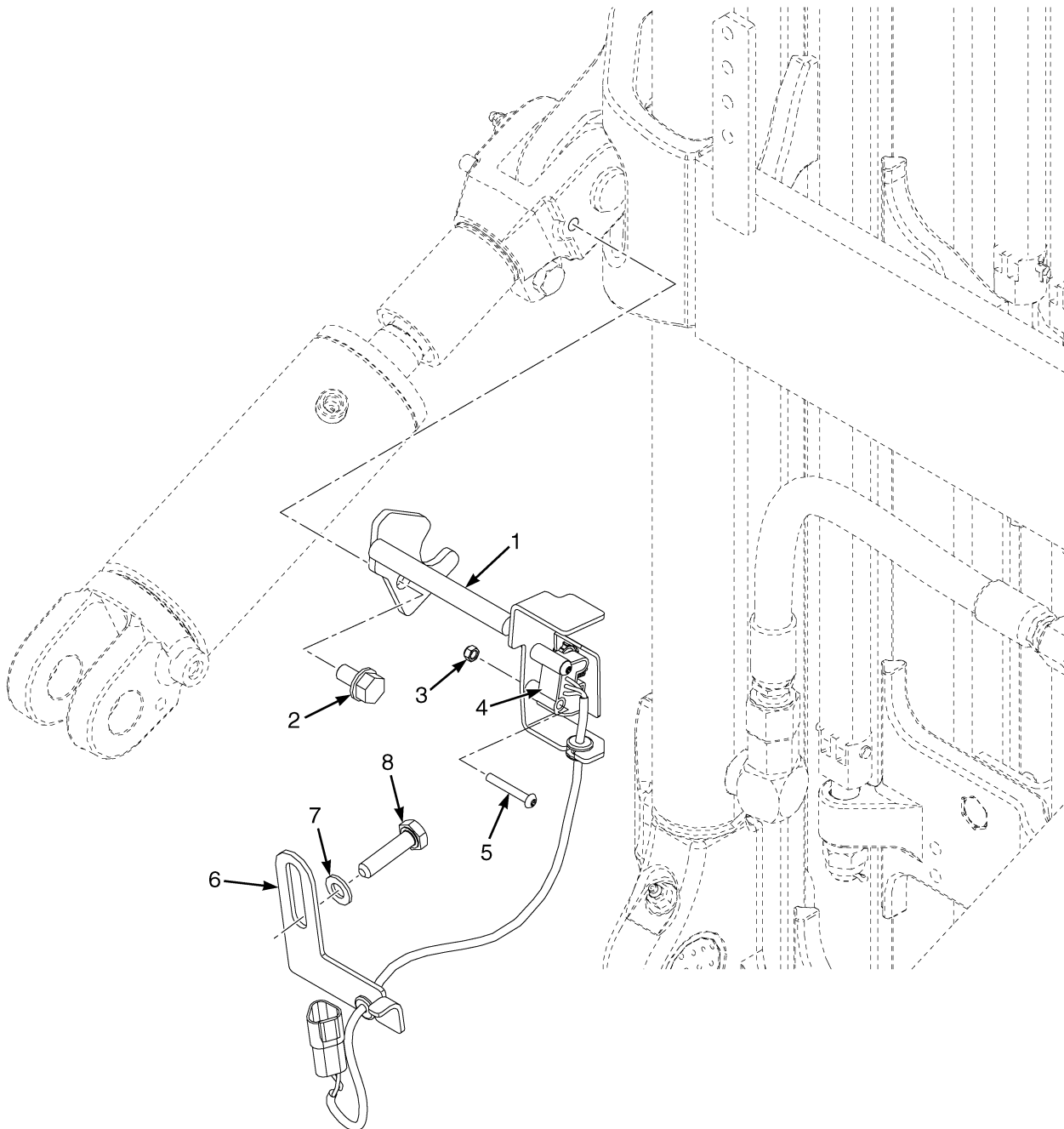
ITEM	PART NO.	DESCRIPTION	QTY	
			A	B
1	4604594	Lever (Detent Forward and Reverse) .....	1	1
2	2076695	Display .....	..	1
2	2076696	Display .....	1	..
3	2066485	Bezel .....	1	1
4	2069431	Label (Blank) (LH Instrument Cluster) .....	..	1
4	2066483	Label (LH Instrument Cluster) .....	1	..
5	<b>b</b> 2066482	Label (RH Display) .....	1	1
6	2060032	Cover (Without Turn Signals) .....	1	1
6	<b>a</b> 4604595	Lever (Turn Signal Lever) .....	1	1
7	<b>c</b> 1337197	Key Set .....	1	1
8	<b>c</b> 2057948	Ignition Switch .....	1	1
9	4109993	Capscrew .....	4	4
	1527879			
10	<b>d</b> 1554902	Screw .....	5	5
11	<b>d</b> 2060033	Cover .....	1	1
12	2066484	Label (RH Display, All Options) .....	1	1

**FOOTNOTES:**

- a** Not Illustrated
- b** Remove Panels From Overlay As Required For Truck Configuration.
- c** Start With Key Switch
- d** Start with Push Button and Remote Key Switch



## MAST ELECTRICAL (FIGURE 7-10)



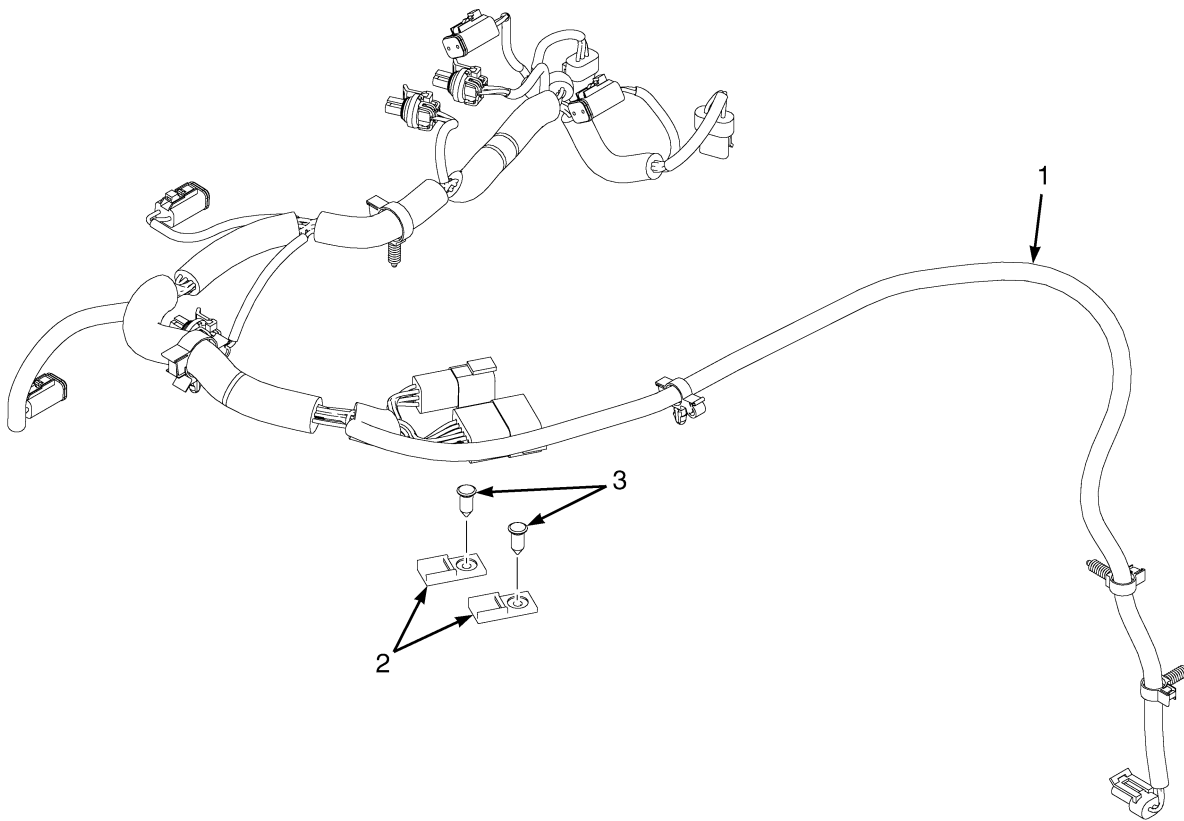
BP230014



**MAST ELECTRICAL**

<b>ITEM</b>	<b>PART NO.</b>	<b>DESCRIPTION</b>	<b>QTY</b>
1	4090599	Bracket .....	1
2	1615163	Capscrew .....	1
3	302398	Locknut .....	2
4	1589621	Sensor (Mast Position) .....	1
5	1553897	Capscrew .....	2
6	1595731	Bracket .....	1
7	1626478	Washer .....	1
8	1658075	Capscrew .....	1

## TRANSMISSION ELECTRICAL (FIGURE 7-11)

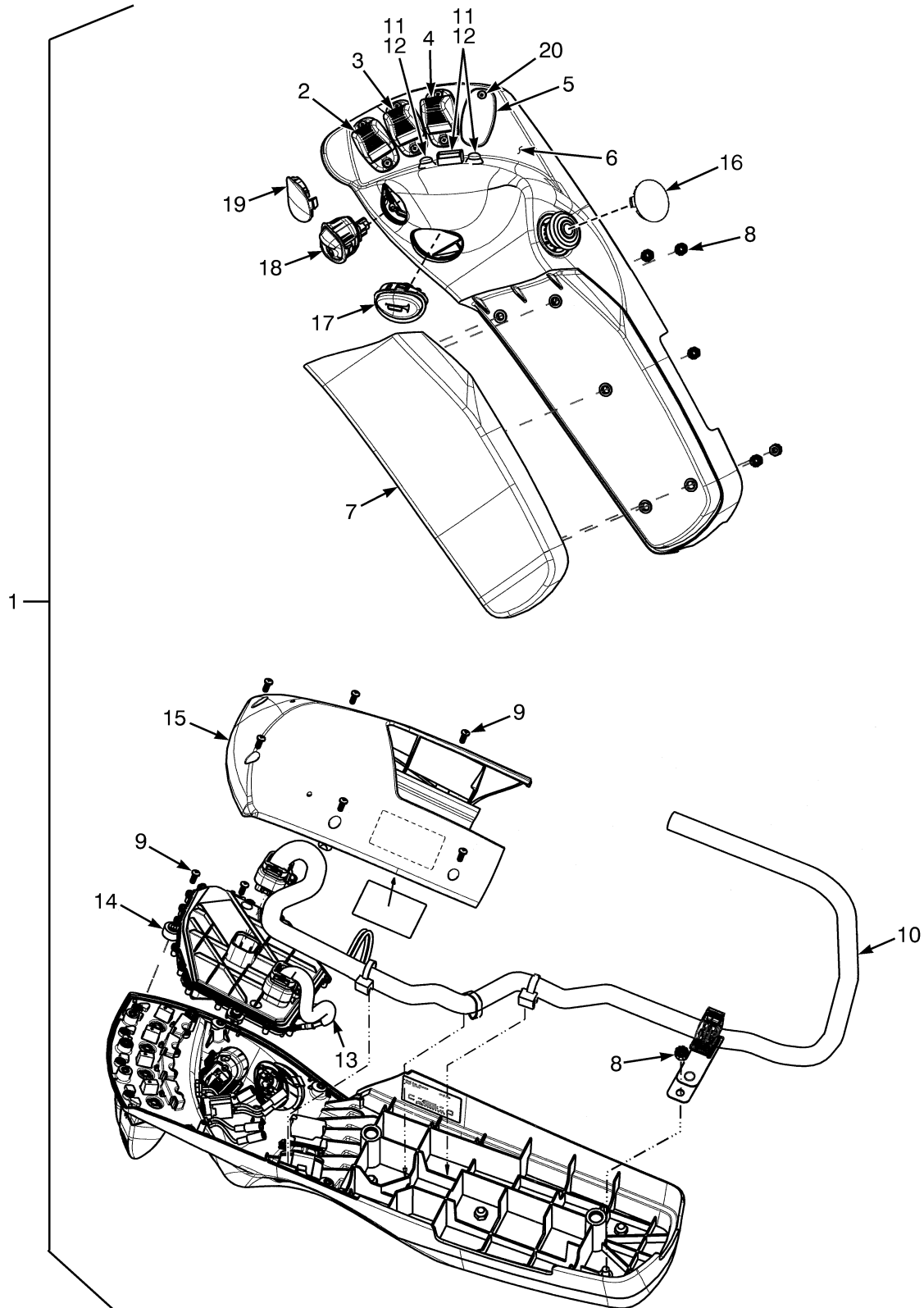


BP081633

**TRANSMISSION ELECTRICAL****KEY:****A: Single Speed Transmission****B: Dual Speed Transmission**

ITEM	PART NO.	DESCRIPTION	QTY	
			A	B
1	2105959	Wire Harness (Transmission) (☞ Figure 7-21).....	1	..
1	2085942	Wire Harness (Transmission) (☞ Figure 7-22).....	..	1
2	1500912	Clip .....	2	2
3	1582464	Fastener .....	2	2

## MINI-LEVER CONTROLS (FIGURE 7-12) WITH ARMREST — THREE FUNCTION



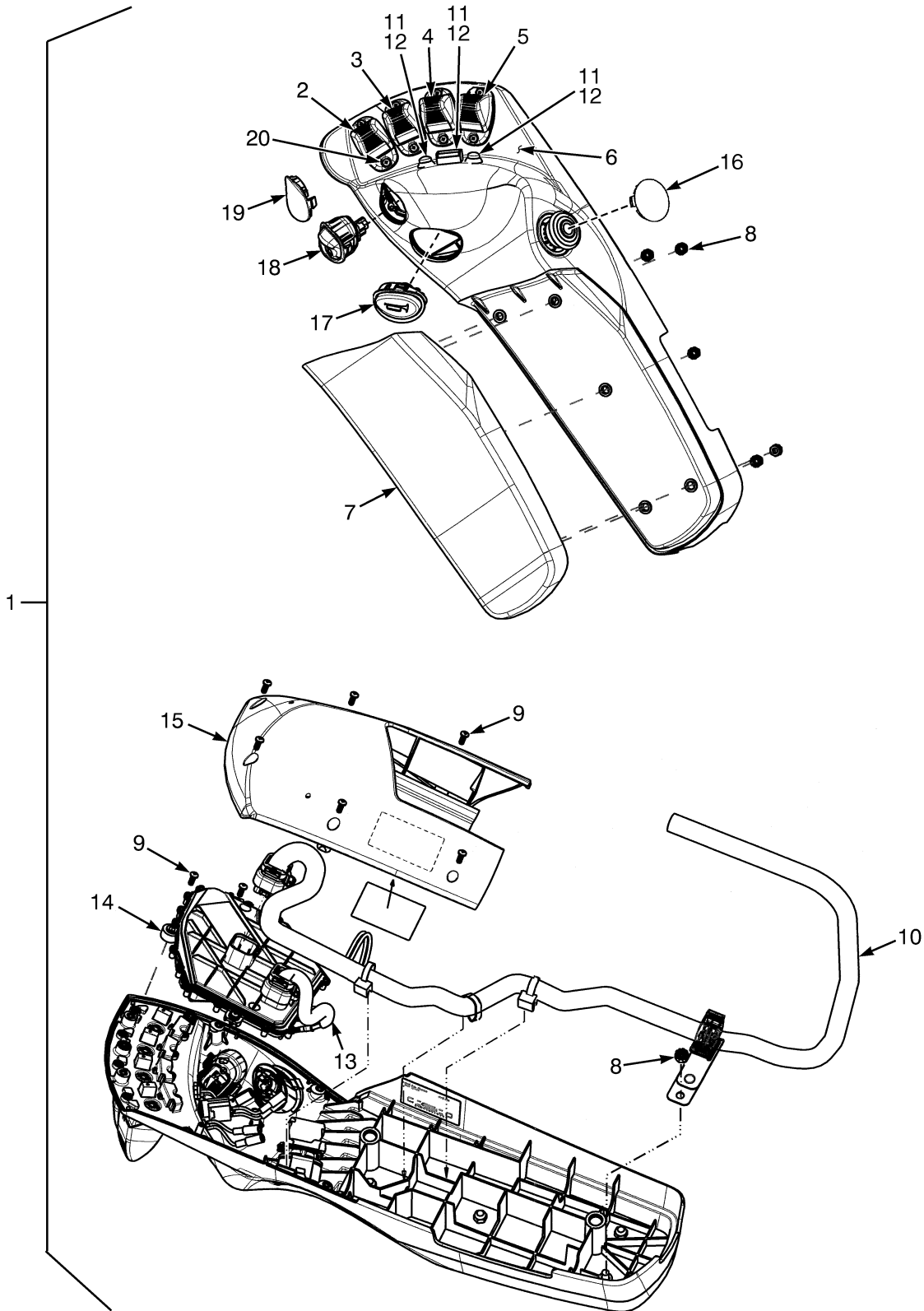
BP080959

**MINI-LEVER CONTROLS  
WITH ARMREST – THREE FUNCTION****KEY:****A: Without Directional Control Switch****B: With Directional Control Switch**

ITEM	PART NO.	DESCRIPTION	QTY	
			A	B
1	4601093	Mini-Lever Assembly .....	1	..
1	<b>c</b> 4601265	Mini-Lever Assembly .....	1	..
1	<b>a</b> 4601097	Mini-Lever Assembly .....	1	..
1	<b>b</b> 4601099	Mini-Lever Assembly .....	1	..
1	4601101	Mini-Lever Assembly .....	..	1
1	<b>c</b> 4601103	Mini-Lever Assembly .....	..	1
1	<b>a</b> 4601105	Mini-Lever Assembly .....	..	1
1	<b>b</b> 4601107	Mini-Lever Assembly .....	..	1
2	.....	Lever Position 1 .....	1	1
2	2110791	Lever (Single Function) .....	1	1
3	.....	Lever Position 2 .....	1	1
3	2110791	Lever (Single Function) .....	1	1
3	<b>a</b> 2110793	Lever (With Override) .....	1	1
4	.....	Lever Position 3 .....	1	1
4	2110791	Lever (Single Function) .....	1	1
4	<b>c</b> 2110792	Lever (Clamping) .....	1	1
5	2108249	Plug .....	1	1
6	2111799	Armrest (Without Push Buttons) .....	1	1
6	<b>ac</b> 4603439	Armrest (With Push Buttons) .....	1	1
7	2111769	Cushion (Armrest) .....	1	1
8	1709587	Nut .....	5	5
9	1698449	Capscrew .....	6	6
10	4605336	Wire Harness .....	1	1
11	<b>c</b> 1704528	Push Button (Position 3) .....	1	1
11	<b>b</b> 1704528	Push Button (Position 2 and 3) .....	2	2
11	<b>a</b> 1704528	Push Button (Position 2) .....	1	1
12	<b>c</b> 1705359	Cover (Push Button) .....	1	1
12	<b>b</b> 1705359	Cover (Push Button) .....	1	1
13	1704529	Wire Harness (Forward/Reverse Switch in the MLM) (Push Buttons) .....	1	1
14	4605337	Printed Circuit Board .....	1	1
15	2111800	Cover (Bottom Armrest) .....	1	1
16	4601120	Plug .....	1	1
17	2111770	Horn Button .....	1	1
18	2110943	Switch (Directional Control) .....	..	1
19	2110942	Plug (Directional Control Switch) .....	1	..
20	1698449	Capscrew .....	8	8

**FOOTNOTES:****a** Return to Set Tilt**c** With Clamping**b** Three Function Clamp with Return to Set Tilt

## MINI-LEVER CONTROLS (FIGURE 7-13) WITH ARMREST — FOUR FUNCTION



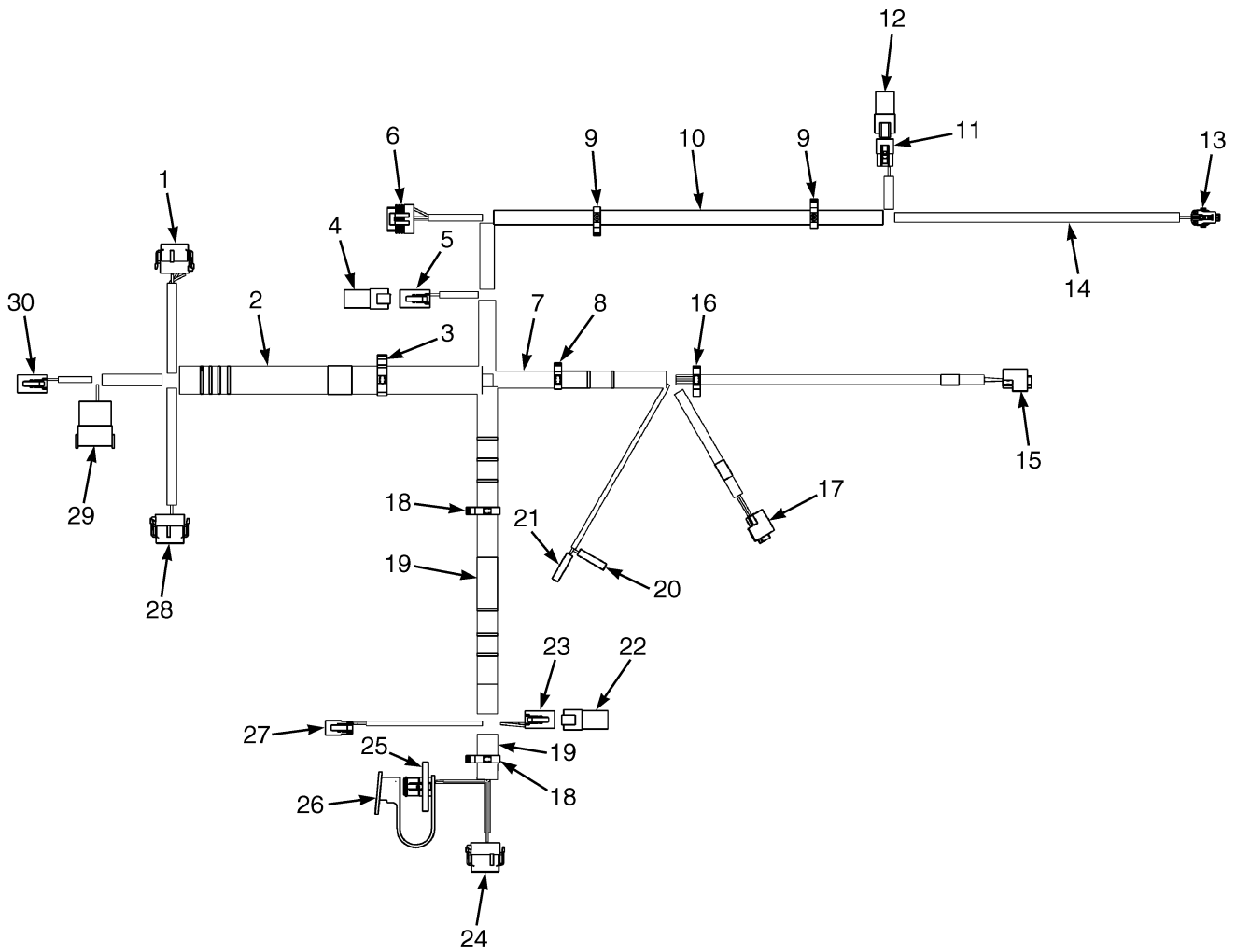
BP080960

**MINI-LEVER CONTROLS  
WITH ARMREST – FOUR FUNCTION****KEY:****A: Without Directional Control Switch****B: With Directional Control Switch**

ITEM	PART NO.	DESCRIPTION	QTY	
			A	B
1	4601094	Mini-Lever Assembly .....	1	..
1	<b>a</b> 4601096	Mini-Lever Assembly .....	1	..
1	<b>c</b> 4601098	Mini-Lever Assembly .....	1	..
1	<b>b</b> 4601100	Mini-Lever Assembly .....	1	..
1	4601102	Mini-Lever Assembly .....	..	1
1	<b>a</b> 4601104	Mini-Lever Assembly .....	..	1
1	<b>c</b> 4601106	Mini-Lever Assembly .....	..	1
1	<b>b</b> 4601108	Mini-Lever Assembly .....	..	1
2	.....	Lever Position 1 .....	1	1
2	2110791	Lever (Single Function) .....	1	1
3	.....	Lever Position 2 .....	1	1
3	2110791	Lever (Single Function) .....	1	1
3	<b>b</b> 2110793	Lever (With Override) .....	1	1
4	.....	Lever Position 3 .....	1	1
4	2110791	Lever (Single Function) .....	1	1
5	.....	Lever Position 4 .....	1	1
5	2110791	Lever (Single Function) .....	1	1
5	<b>ab</b> 2110792	Lever (Clamping) .....	1	1
6	2111799	Armrest (Without Push Buttons) .....	1	1
6	<b>abc</b> 4603439	Armrest (With Push Buttons) .....	1	1
7	2111769	Cushion (Armrest) .....	1	1
8	1709587	Nut .....	5	5
9	1698449	Capscrew .....	6	6
10	4605336	Wire Harness .....	1	1
11	<b>a</b> 1704528	Push Button .....	1	1
11	<b>b</b> 1704528	Push Button .....	2	2
12	<b>a</b> 1705359	Cover (Push Button) .....	2	2
12	<b>b</b> 1705359	Cover (Push Button) .....	1	1
13	1704529	Wire Harness (Forward/Reverse Switch in the MLM) (Push Buttons) .....	1	1
14	4605337	Printed Circuit Board .....	1	1
15	2111800	Cover (Bottom Armrest) .....	1	1
16	4601120	Plug .....	1	1
17	2111770	Horn Button .....	1	1
18	2110943	Switch (Directional Control) .....	..	1
19	2110942	Plug (Directional Control Switch) .....	1	..
20	1698449	Capscrew .....	8	8

**FOOTNOTES:****a** With Clamping**c** With Return to Set Tilt**b** With Clamping and Return to Set Tilt

## WIRE HARNESS (FIGURE 7-14) COWL WITH MONOTROL PEDAL — WITH RETURN TO SET TILT



BP080916



**WIRE HARNESS**  
**COWL WITH MONOTROL PEDAL – WITH RETURN TO SET TILT**

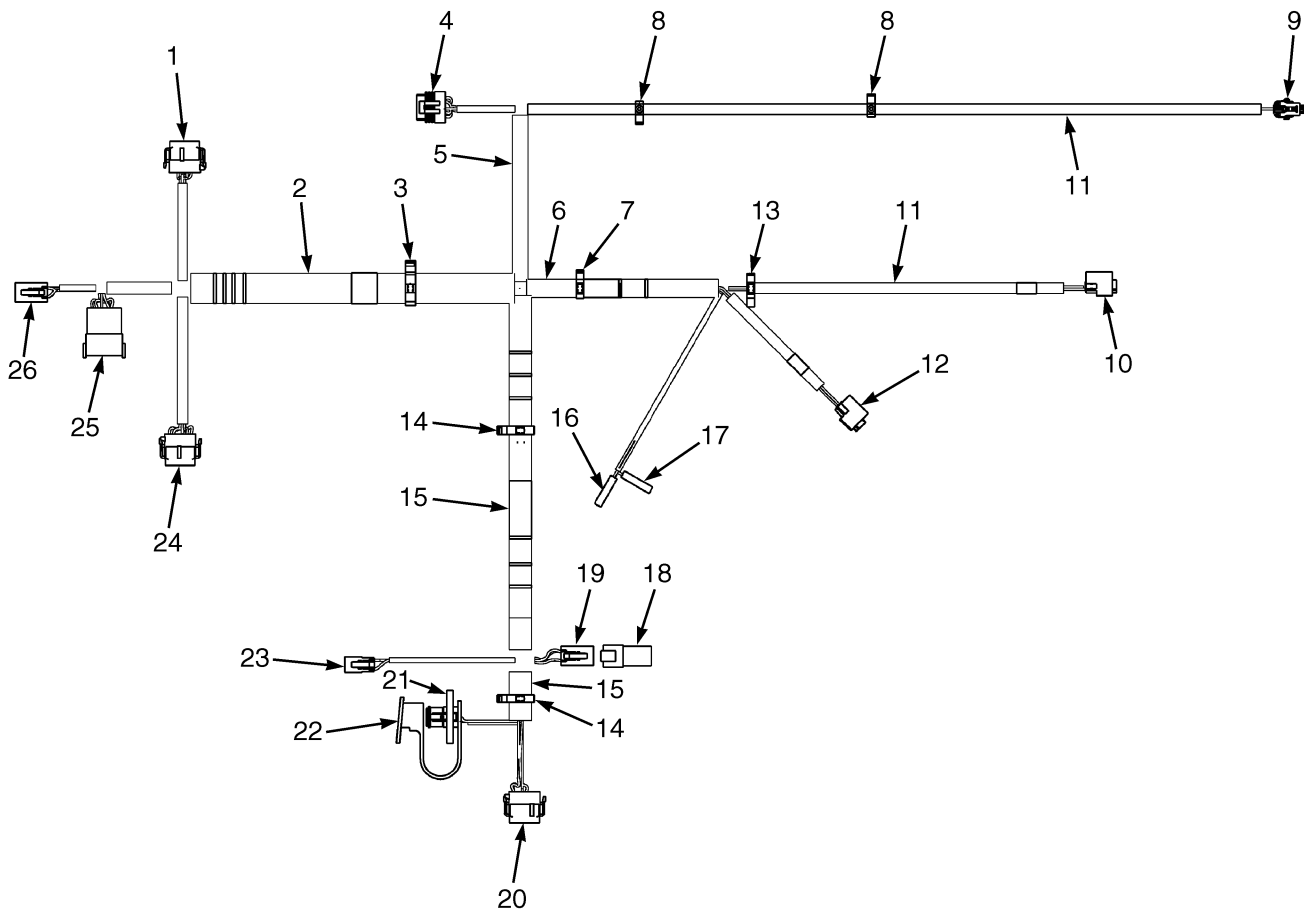
ITEM	PART NO.	DESCRIPTION	QTY
	4603283	Wire Harness .....	1
1	.....	Connector Assembly (Vehicle System Manager) .....	1
1	1525568	Connector .....	1
1	1529046	Connector .....	1
1	1463139	Terminal .....	11
1	1484377	Plug .....	1
2	1540388	Conduit .....	AR
3	1534282	Clip .....	1
4	.....	Connector Assembly (Endcap) .....	1
4	1525573	Connector .....	1
5	.....	Connector Assembly (To Monotrol Pedal Harness) .....	1
5	1489656	Connector (4-Way) .....	1
5	1489657	Connector .....	1
5	1330438	Terminal (Socket) .....	4
6	.....	Connector Assembly (Accelerator Pedal Sensor) .....	1
6	1525584	Connector .....	1
6	1532571	Terminal .....	6
7	275496	Conduit .....	AR
8	1534828	Clip .....	1
9	1509890	Clip .....	2
10	275495	Conduit .....	AR
11	.....	Connector Assembly (To Mast Harness) .....	1
11	1330438	Terminal (Socket) .....	3
11	1463194	Connector (Secondary Lock) .....	1
11	1484397	Connector (3-Way) .....	1
12	.....	Connector Assembly (Endcap) .....	1
12	1351682	Connector (End Cap) .....	1
13	.....	Connector Assembly (Brake Pressure) .....	1
13	1603021	Connector .....	1
13	1603236	Connector (Secondary Lock) .....	1
13	1548517	Terminal (Socket) .....	3
13	1548519	Seal .....	3
14	275493	Conduit .....	AR
15	.....	Connector Assembly (Brake Pedal) .....	1
15	1700460	Connector .....	1
15	1700461	Terminal .....	3
16	1402816	Clip .....	2
17	.....	Connector Assembly (Park Brake) .....	1
17	1700460	Connector .....	1
17	1700461	Terminal .....	3
18	1500899	Clip .....	2
19	275497	Conduit .....	AR
20	.....	Connector Assembly (Brake Fluid) .....	1
20	1566227	Terminal .....	1
20	1566076	Seal .....	1
21	.....	Connector Assembly (Brake Fluid) .....	1
21	1566227	Terminal .....	1
21	1566076	Seal .....	1
22	.....	Connector Assembly (Endcap w/ Resistor) .....	1
22	1525577	Connector (With Resistor) .....	1

## WIRE HARNESS COWL WITH MONOTROL PEDAL – WITH RETURN TO SET TILT

ITEM	PART NO.	DESCRIPTION	QTY
23	.....	Connector Assembly (Bus Terminal 1) .....	1
23	1489656	Connector (4-Way) .....	1
23	1489657	Connector .....	1
23	1330438	Terminal (Socket) .....	4
24	.....	Connector Assembly (Display) .....	1
24	1525567	Connector .....	1
24	1529046	Connector .....	1
24	1463139	Terminal .....	5
24	1484377	Plug .....	7
25	.....	Connector Assembly (J1939 Diagnostic) .....	1
25	1566116	Connector .....	1
25	1532664	Connector .....	1
25	1330438	Terminal (Socket) .....	3
26	.....	Connector Assembly (Dust Cap) .....	1
26	1566117	Dust Cap (For Diagnostic Cable) .....	1
27	.....	Connector Assembly (Horn Button) .....	1
27	1490242	Connector (2 Way) .....	1
27	1490243	Connector .....	1
27	1330438	Terminal (Socket) .....	2
28	.....	Connector Assembly (Vehicle System Manager) .....	1
28	1525570	Connector .....	1
28	1529046	Connector .....	1
28	1463139	Terminal .....	7
28	1484377	Plug .....	5
29	.....	Connector Assembly (To Right Hand Chassis Harness) .....	1
29	1500925	Connector .....	1
29	1352603	Secondary Lock .....	1
29	1330437	Terminal (Pin) .....	10
29	1484377	Plug .....	2
30	.....	Connector Assembly .....	1
30	1489656	Connector (4-Way) .....	1
30	1489657	Connector .....	1
30	1330438	Terminal (Socket) .....	4



## WIRE HARNESS (FIGURE 7-15) COWL WITH FORWARD/REVERSE LEVER — WITHOUT RETURN TO SET TILT



BP080917

**WIRE HARNESS**  
**COWL WITH FORWARD/REVERSE LEVER – WITHOUT RETURN TO SET TILT**

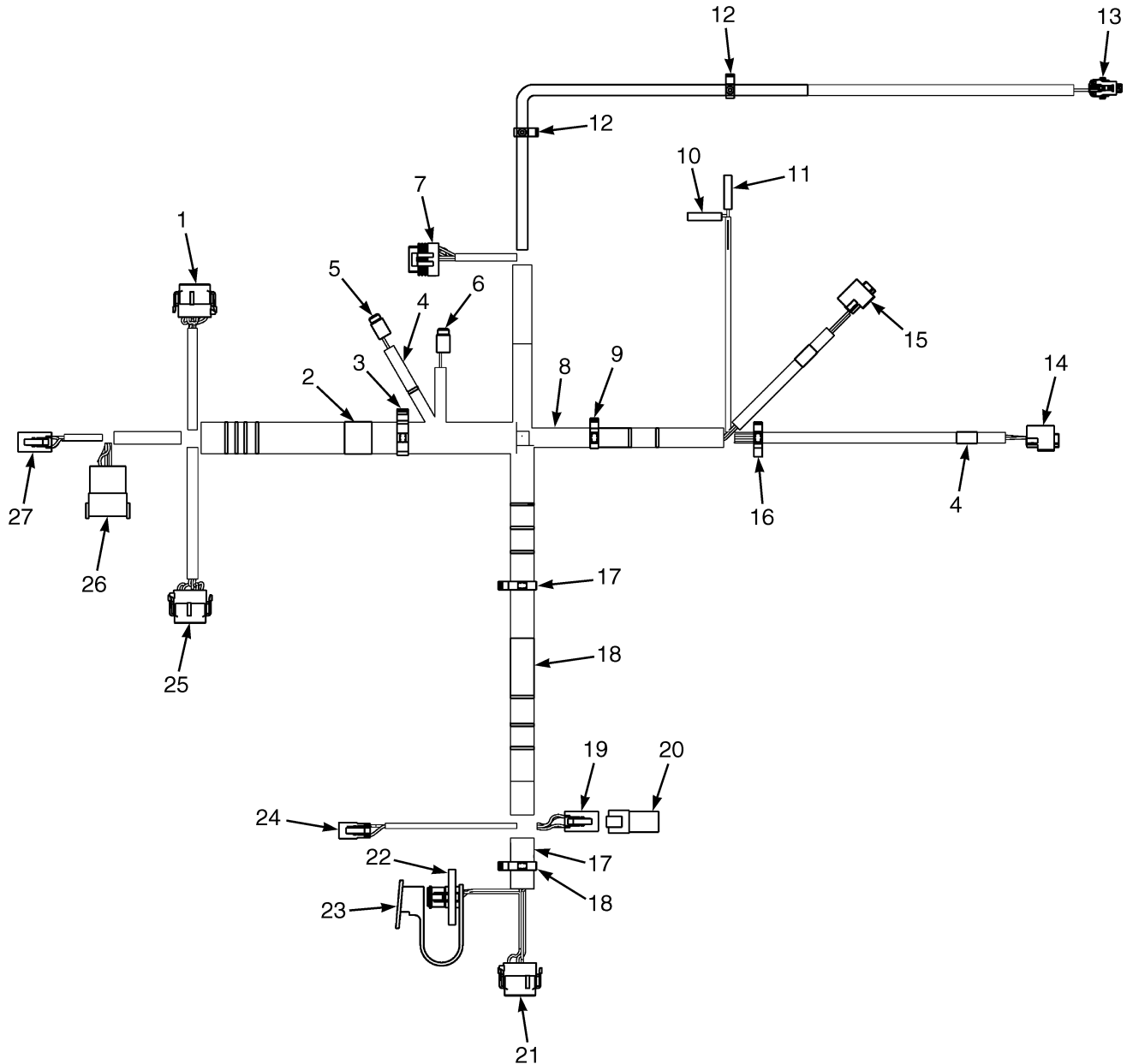
ITEM	PART NO.	DESCRIPTION	QTY
	4603280	Wire Harness .....	1
1	.....	Connector Assembly (Vehicle System Manager) .....	1
1	1525568	Connector .....	1
1	1529046	Connector .....	1
1	1463139	Terminal .....	7
1	1484377	Plug .....	5
2	1540388	Conduit .....	AR
3	1534282	Clip .....	1
4	.....	Connector Assembly (Accelerator Pedal Sensor) .....	1
4	1525584	Connector .....	1
4	1532571	Terminal .....	6
5	275495	Conduit .....	AR
6	275496	Conduit .....	AR
7	1534828	Clip .....	1
8	1509888	Clip .....	2
9	.....	Connector Assembly (Brake Pressure) .....	1
9	1603021	Connector .....	1
9	1603236	Connector (Secondary Lock) .....	1
9	1548517	Terminal (Socket) .....	3
9	1548519	Seal .....	3
10	.....	Connector Assembly (Brake Pedal) .....	1
10	1700460	Connector .....	1
10	1700461	Terminal .....	3
11	275493	Conduit .....	AR
12	.....	Connector Assembly (Park Brake) .....	1
12	1700460	Connector .....	1
12	1700461	Terminal .....	3
13	1402816	Clip .....	1
14	1500899	Clip .....	2
15	275497	Conduit .....	AR
16	.....	Connector Assembly (Brake Fluid) .....	1
16	1324310	Terminal .....	1
16	1324309	Sleeve .....	1
17	.....	Connector Assembly (Brake Fluid) .....	1
17	1324310	Terminal .....	1
17	1324309	Sleeve .....	1
18	.....	Connector Assembly (Endcap w/ Resistor) .....	1
18	1525577	Connector (With Resistor) .....	1
19	.....	Connector Assembly (Bus Terminal 1) .....	1
19	1489656	Connector (4-Way) .....	1
19	1489657	Connector .....	1
19	1330438	Terminal (Socket) .....	4
20	.....	Connector Assembly (Display) .....	1
20	1525567	Connector .....	1
20	1529046	Connector .....	1
20	1463139	Terminal .....	5
20	1484377	Plug .....	7
21	.....	Connector Assembly (J1939 Diagnostic) .....	1
21	1566116	Connector .....	1
21	1532664	Connector .....	1

**WIRE HARNESS**  
**COWL WITH FORWARD/REVERSE LEVER – WITHOUT RETURN TO SET TILT**

ITEM	PART NO.	DESCRIPTION	QTY
21	1330438	Terminal (Socket) .....	3
22	.....	Connector Assembly (Dust Cap) .....	1
22	1566117	Dust Cap (For Diagnostic Cable) .....	1
23	.....	Connector Assembly (Horn Button) .....	1
23	1490242	Connector (2 Way) .....	1
23	1490243	Connector .....	1
23	1330438	Terminal (Socket) .....	2
24	.....	Connector Assembly (Vehicle System Manager) .....	1
24	1525570	Connector .....	1
24	1529046	Connector .....	1
24	1463139	Terminal .....	7
24	1484377	Plug .....	5
25	.....	Connector Assembly (To Right Hand Chassis Harness) .....	1
25	1500925	Connector .....	1
25	1352603	Secondary Lock .....	1
25	1330437	Terminal (Pin) .....	7
25	1484377	Plug .....	5
26	.....	Connector Assembly (To Right Hand Chassis Harness) .....	1
26	1489657	Connector .....	1
26	1489656	Connector (4-Way) .....	1
26	1330438	Terminal (Socket) .....	4



## WIRE HARNESS (FIGURE 7-16) COWL WITH FORWARD/REVERSE LEVER — WITH HYDRAULIC PUMP SOLENOID



BP080919



**WIRE HARNESS**  
**COWL WITH FORWARD/REVERSE LEVER – WITH HYDRAULIC PUMP SOLENOID**

ITEM	PART NO.	DESCRIPTION	QTY
	4603282	Wire Harness .....	1
1	.....	Connector Assembly (Vehicle System Manager) .....	1
1	1525568	Connector .....	1
1	1529046	Connector .....	1
1	1463139	Terminal .....	8
1	1484377	Plug .....	4
2	1540388	Conduit .....	AR
3	1534282	Clip .....	1
4	275493	Conduit .....	AR
5	.....	Connector Assembly (Hydraulic Lockout Solenoid #2) .....	1
5	1484557	Connector (2 Socket) .....	1
5	1484558	Connector (Secondary Lock) .....	1
5	1463139	Terminal .....	2
6	.....	Connector Assembly (Hydraulic Lockout Solenoid #1) .....	1
6	1484557	Connector (2 Socket) .....	1
6	1484558	Connector (Secondary Lock) .....	1
6	1463139	Terminal .....	2
7	.....	Connector Assembly (Accelerator Pedal Sensor) .....	1
7	1525584	Connector .....	1
7	1532571	Terminal .....	6
8	275496	Conduit .....	AR
9	1534828	Clip .....	1
10	.....	Connector Assembly (Brake Fluid) .....	1
10	1324310	Terminal .....	1
10	1324309	Sleeve .....	1
11	.....	Connector Assembly (Brake Fluid) .....	1
11	1324310	Terminal .....	1
11	1324309	Sleeve .....	1
12	1509888	Clip .....	2
13	.....	Connector Assembly (Brake Pressure) .....	1
13	1603021	Connector .....	1
13	1603236	Connector (Secondary Lock) .....	1
13	1548517	Terminal (Socket) .....	3
13	1548519	Seal .....	3
14	.....	Connector Assembly (Brake Pedal) .....	1
14	1700460	Connector .....	1
14	1700461	Terminal .....	3
15	.....	Connector Assembly (Park Brake) .....	1
15	1700460	Connector .....	1
15	1700461	Terminal .....	3
16	1402816	Clip .....	1
17	1500899	Clip .....	2
18	275497	Conduit .....	AR
19	.....	Connector Assembly (Bus Terminal 1) .....	1
19	1489656	Connector (4-Way) .....	1
19	1489657	Connector .....	1
19	1330438	Terminal (Socket) .....	4
20	.....	Connector Assembly (Endcap w/ Resistor) .....	1
20	1525577	Connector (With Resistor) .....	1
21	.....	Connector Assembly (Display) .....	1

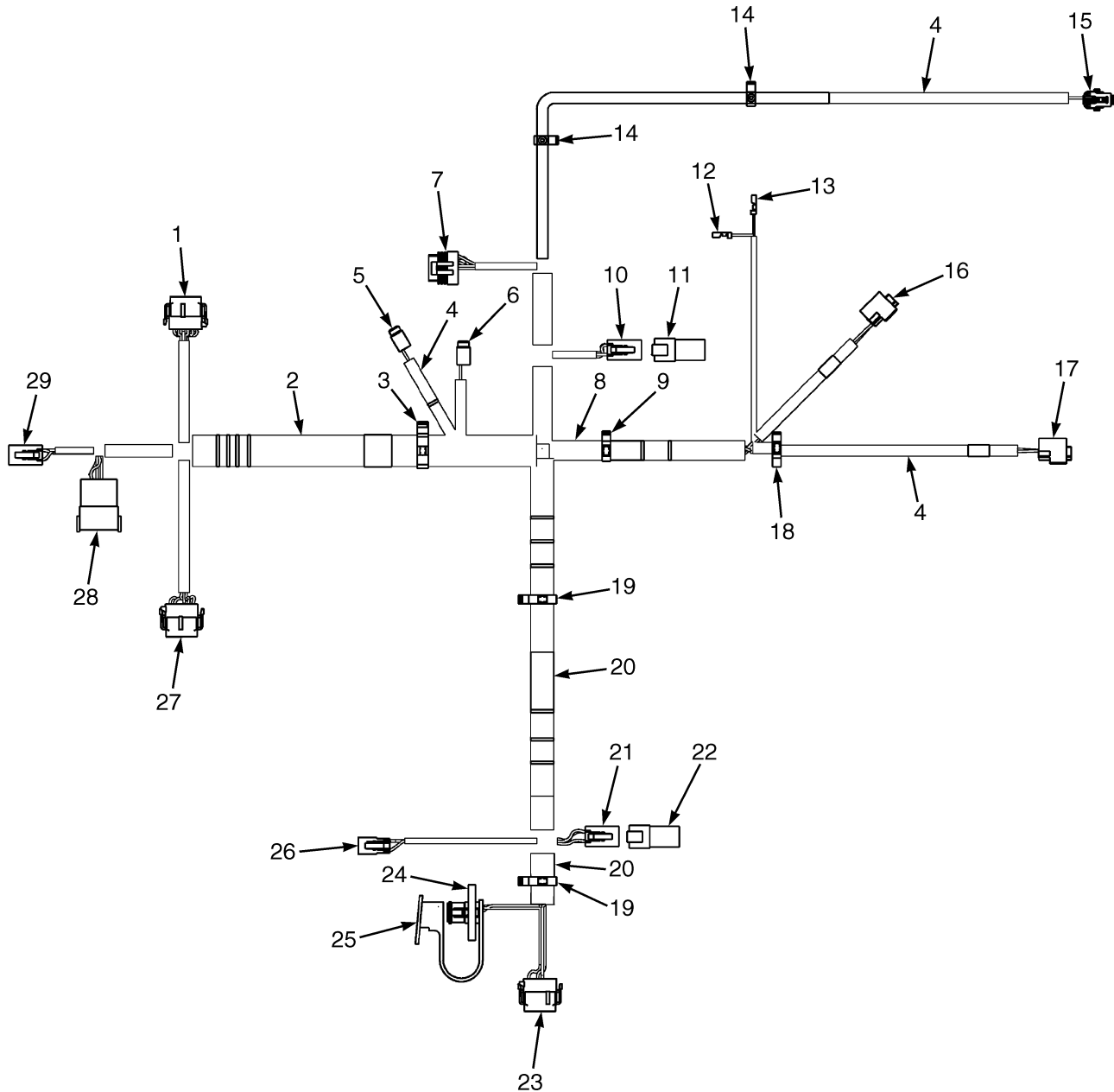
## WIRE HARNESS

### COWL WITH FORWARD/REVERSE LEVER – WITH HYDRAULIC PUMP SOLENOID

ITEM	PART NO.	DESCRIPTION	QTY
21	1525567	Connector .....	1
21	1529046	Connector .....	1
21	1463139	Terminal .....	5
21	1484377	Plug .....	7
22	.....	Connector Assembly (J1939 Diagnostic) .....	1
22	1566116	Connector .....	1
22	1532664	Connector .....	1
22	1330438	Terminal (Socket) .....	3
23	.....	Connector Assembly (Dust Cap) .....	1
23	1566117	Dust Cap (For Diagnostic Cable) .....	1
24	.....	Connector Assembly (Horn Button) .....	1
24	1490242	Connector (2 Way) .....	1
24	1490243	Connector .....	1
24	1330438	Terminal (Socket) .....	1
25	.....	Connector Assembly (Vehicle System Manager) .....	1
25	1525570	Connector .....	1
25	1529046	Connector .....	1
25	1463139	Terminal .....	7
25	1484377	Plug .....	5
26	.....	Connector Assembly (To Right Hand Chassis Harness) .....	1
26	1500925	Connector .....	1
26	1352603	Secondary Lock .....	1
26	1330437	Terminal (Pin) .....	7
26	1484377	Plug .....	5
27	.....	Connector Assembly (To Right Hand Chassis Harness) .....	1
27	1489656	Connector (4-Way) .....	1
27	1489657	Connector .....	1
27	1330438	Terminal (Socket) .....	4



## WIRE HARNESS (FIGURE 7-17) COWL WITH MONOTROL PEDAL — WITH HYDRAULIC PUMP SOLENOID



BP080918

**WIRE HARNESS**  
**COWL WITH MONOTROL PEDAL – WITH HYDRAULIC PUMP SOLENOID**

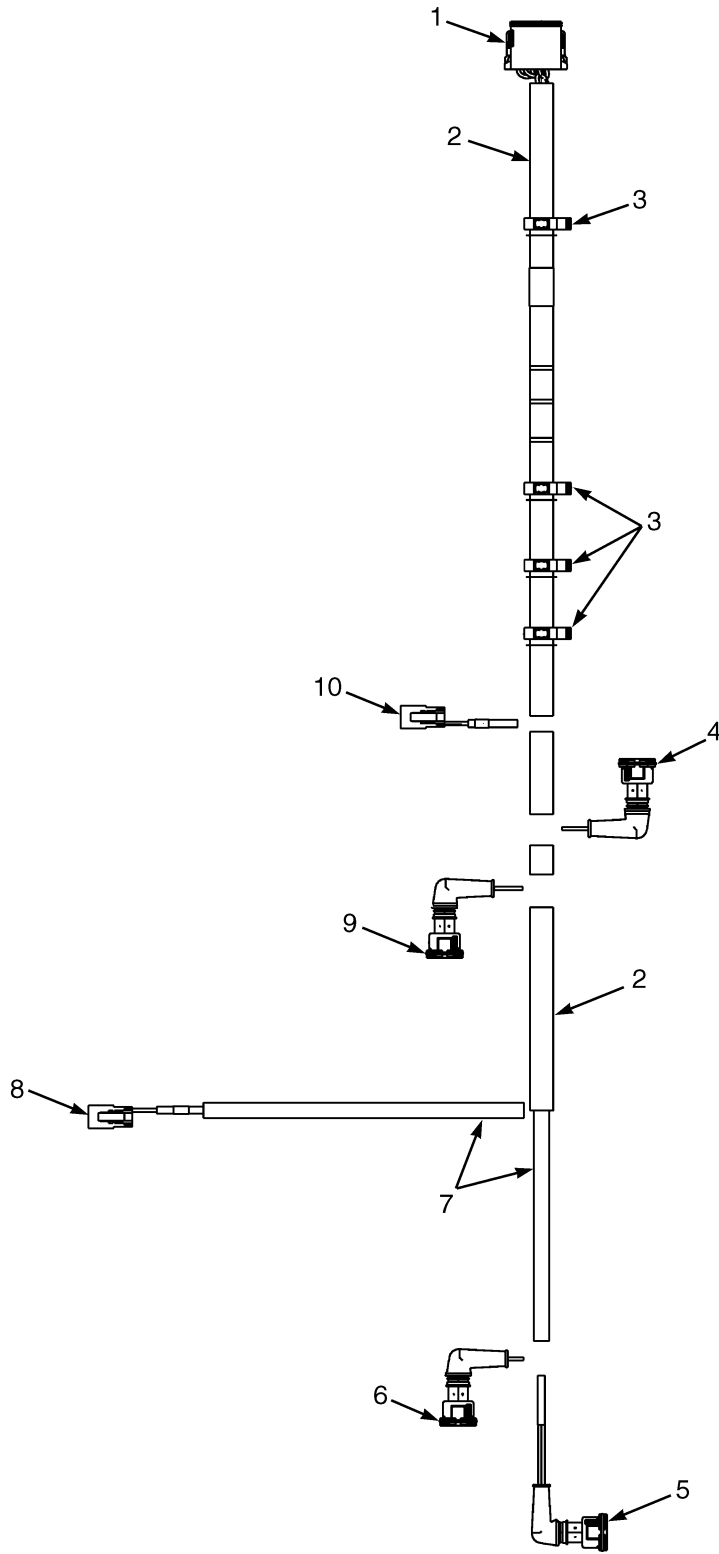
ITEM	PART NO.	DESCRIPTION	QTY
	4603281	Wire Harness .....	1
1	.....	Connector Assembly (Vehicle System Manager) .....	1
1	1525568	Connector .....	1
1	1529046	Connector .....	1
1	1463139	Terminal .....	12
2	1540388	Conduit .....	AR
3	1534282	Clip .....	1
4	275493	Conduit .....	AR
5	.....	Connector Assembly (Hydraulic Lockout Solenoid #2) .....	1
5	1484557	Connector (2 Socket) .....	1
5	1484558	Connector (Secondary Lock) .....	1
5	1463139	Terminal .....	1
6	.....	Connector Assembly (Hydraulic Lockout Solenoid 1) .....	1
6	1484557	Connector (2 Socket) .....	1
6	1484558	Connector (Secondary Lock) .....	1
6	1463139	Terminal .....	2
7	.....	Connector Assembly (Accelerator Pedal Sensor) .....	1
7	1525584	Connector .....	1
7	1532571	Terminal .....	6
8	275496	Conduit .....	AR
9	1534828	Clip .....	1
10	.....	Connector Assembly (Monotrol Harness) .....	1
10	1489656	Connector (4-Way) .....	1
10	1489657	Connector .....	1
10	1330438	Terminal (Socket) .....	4
11	.....	Connector Assembly (Endcap) .....	1
11	1525573	Connector .....	1
12	.....	Connector Assembly (Brake Fluid) .....	1
12	1566227	Terminal .....	1
12	1324309	Sleeve .....	1
13	.....	Connector Assembly (Brake Fluid) .....	1
13	1566227	Terminal .....	1
13	1324309	Sleeve .....	1
14	1509888	Clip .....	2
15	.....	Connector Assembly (Brake Pressure) .....	1
15	1603021	Connector .....	1
15	1603236	Connector (Secondary Lock) .....	1
15	1548517	Terminal (Socket) .....	3
15	1548519	Seal .....	3
16	.....	Connector Assembly (Park Brake) .....	1
16	1700460	Connector .....	1
16	1700461	Terminal .....	3
17	.....	Connector Assembly (Brake Pedal) .....	1
17	1700460	Connector .....	1
17	1700461	Terminal .....	3
18	1402816	Clip .....	1
19	1500899	Clip .....	2
20	275497	Conduit .....	AR
21	.....	Connector Assembly (Bus Terminal 1) .....	1
21	1489656	Connector (4-Way) .....	1

## WIRE HARNESS COWL WITH MONOTROL PEDAL – WITH HYDRAULIC PUMP SOLENOID

ITEM	PART NO.	DESCRIPTION	QTY
21	1489657	Connector .....	1
21	1330438	Terminal (Socket) .....	4
22	.....	Connector Assembly (Endcap w/ Resistor) .....	1
22	1525577	Connector (With Resistor) .....	1
23	.....	Connector Assembly (Display) .....	1
23	1525567	Connector .....	1
23	1529046	Connector .....	1
23	1463139	Terminal .....	5
23	1484377	Plug .....	7
24	.....	Connector Assembly (J1939 Diagnostic) .....	1
24	1566116	Connector .....	1
24	1532664	Connector .....	1
24	1330438	Terminal (Socket) .....	3
25	.....	Connector Assembly (Dustcap) .....	1
25	1566117	Dust Cap (For Diagnostic Cable) .....	1
26	.....	Connector Assembly (Horn Button) .....	1
26	1490242	Connector (2 Way) .....	1
26	1490243	Connector .....	1
26	1330438	Terminal (Socket) .....	2
27	.....	Connector Assembly (Vehicle System Manager) .....	1
27	1525570	Connector .....	1
27	1529046	Connector .....	1
27	1463139	Terminal .....	7
27	1484377	Plug .....	5
28	.....	Connector Assembly (To Right Hand Chassis Harness) .....	1
28	1500925	Connector .....	1
28	1352603	Secondary Lock .....	1
28	1330437	Terminal (Pin) .....	7
28	1484377	Plug .....	5
29	.....	Connector Assembly (To Right Hand Chassis Harness) .....	1
29	1489656	Connector (4-Way) .....	1
29	1489657	Connector .....	1
29	1330438	Terminal (Socket) .....	4



**WIRE HARNESS (FIGURE 7-18)  
ELECTRONIC CONTROL VALVE — THREE FUNCTION**



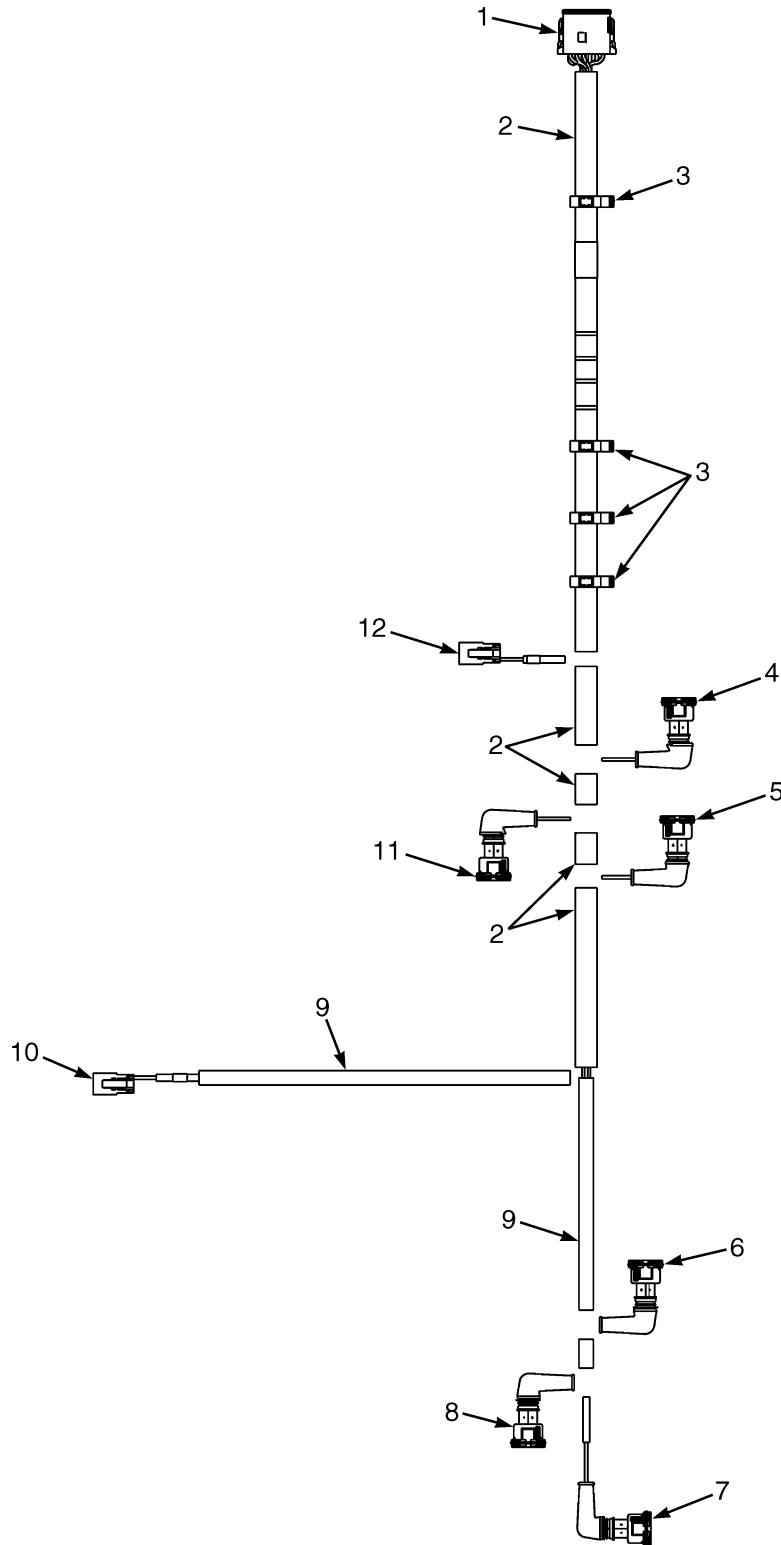
BP081116



**WIRE HARNESS  
ELECTRONIC CONTROL VALVE – THREE FUNCTION**

ITEM	PART NO.	DESCRIPTION	QTY
	4605072	Wire Harness (Electronic Control Valve) .....	1
1	.....	Connector Assembly (Vehicle System Manager) .....	1
1	1525564	Connector .....	1
1	1330438	Terminal (Socket) .....	9
1	1484377	Plug .....	3
1	1500913	Connector (Secondary Lock) .....	1
2	275495	Conduit .....	AR
3	1402815	Clip .....	4
4	.....	Connector Assembly (2A Tilt) .....	1
4	1531162	Connector .....	1
4	1402814	Terminal .....	2
4	1562649	Seal .....	2
5	.....	Connector Assembly (2B Tilt) .....	1
5	1531162	Connector .....	1
5	1402814	Terminal .....	2
5	1562649	Seal .....	2
6	.....	Connector Assembly (3B Aux. 1) .....	1
6	1493435	Connector (2-Way) .....	1
6	1402814	Terminal .....	2
6	1562649	Seal .....	2
7	275493	Conduit .....	AR
8	.....	Connector Assembly (1A Lift) .....	1
8	1490242	Connector (2 Way) .....	1
8	1330438	Terminal (Socket) .....	2
8	1490243	Connector .....	1
9	.....	Connector Assembly (3A Aux.1) .....	1
9	1493435	Connector (2-Way) .....	1
9	1402814	Terminal .....	2
9	1562649	Seal .....	2
10	.....	Connector Assembly (1B Lower) .....	1
10	1490242	Connector (2 Way) .....	1
10	1330438	Terminal (Socket) .....	2
10	1490243	Connector .....	1

## WIRE HARNESS (FIGURE 7-19) ELECTRONIC CONTROL VALVE — FOUR FUNCTION

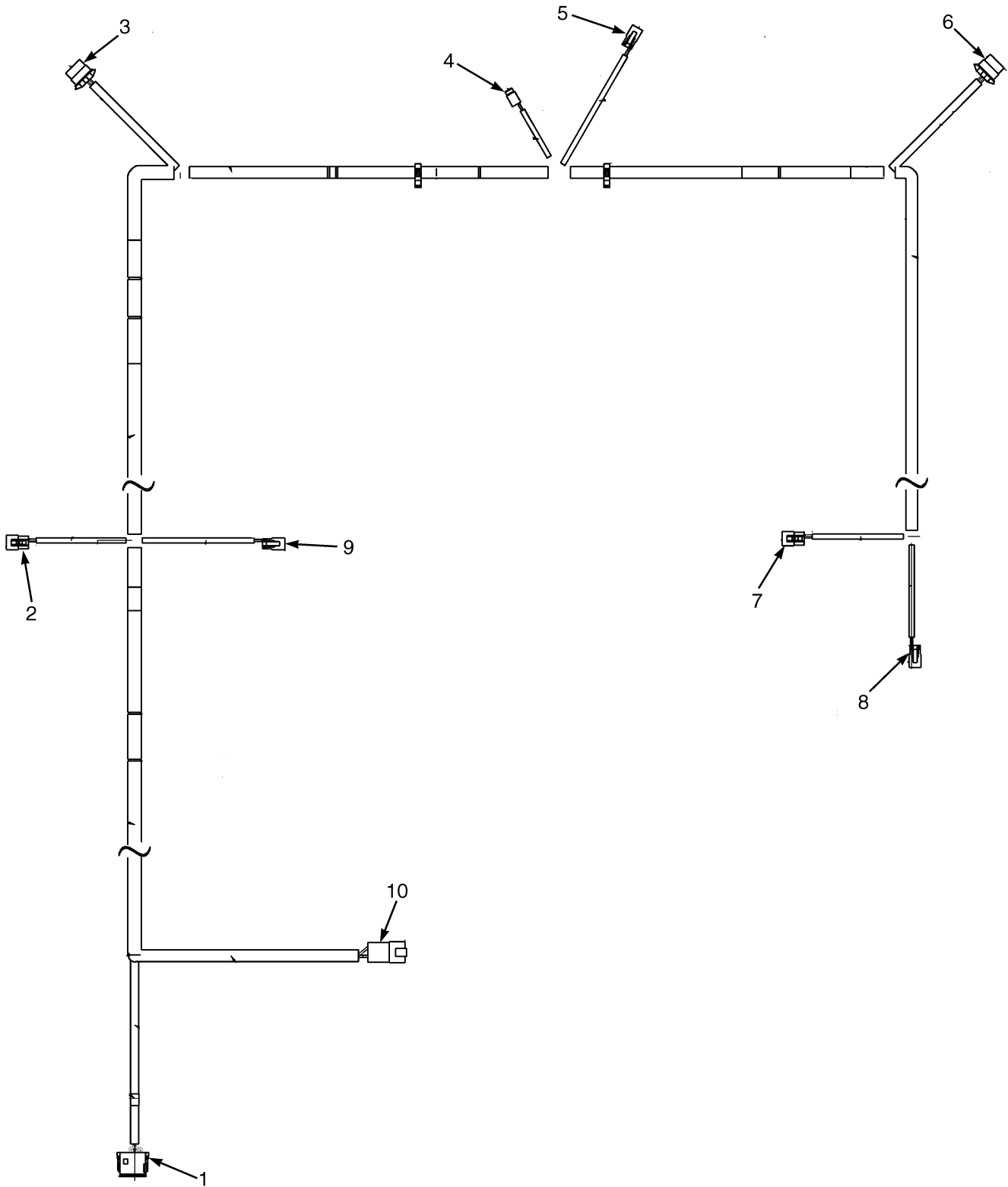


BP081117

**WIRE HARNESS  
ELECTRONIC CONTROL VALVE – FOUR FUNCTION**

ITEM	PART NO.	DESCRIPTION	QTY
	4605073	Wire Harness (Electronic Control Valve) .....	1
1	.....	Connector Assembly (Vehicle System Manager) .....	1
1	1525564	Connector .....	1
1	1330438	Terminal (Socket) .....	12
1	1500913	Connector (Secondary Lock) .....	1
2	275495	Conduit .....	AR
3	1402815	Clip .....	4
4	.....	Connector Assembly (2A Tilt) .....	1
4	1531162	Connector .....	1
4	1402814	Terminal .....	2
4	1562649	Seal .....	2
5	.....	Connector Assembly (4A Aux.2)) .....	1
5	1493447	Connector .....	1
5	1402814	Terminal .....	2
5	1562649	Seal .....	2
6	.....	Connector Assembly (4B Aux. 2) .....	1
6	1493447	Connector .....	1
6	1402814	Terminal .....	2
6	1562649	Seal .....	2
7	.....	Connector Assembly (2B Tilt) .....	1
7	1531162	Connector .....	1
7	1402814	Terminal .....	2
7	1562649	Seal .....	2
8	.....	Connector Assembly (3B Aux. 1) .....	1
8	1493435	Connector (2-Way) .....	1
8	1402814	Terminal .....	2
8	1562649	Seal .....	2
9	275493	Conduit .....	AR
10	.....	Connector Assembly (1A Lift) .....	1
10	1490242	Connector (2 Way) .....	1
10	1330438	Terminal (Socket) .....	2
10	1490243	Connector (Secondary Lock) .....	1
11	.....	Connector Assembly (3A Aux.1) .....	1
11	1493435	Connector (2-Way) .....	1
11	1402814	Terminal .....	2
11	1562649	Seal .....	2
12	.....	Connector Assembly (1B Lower) .....	1
12	1490242	Connector (2 Way) .....	1
12	1330438	Terminal (Socket) .....	2
12	1490243	Connector (Secondary Lock) .....	1

## WIRE HARNESS (FIGURE 7-20) LIGHTS

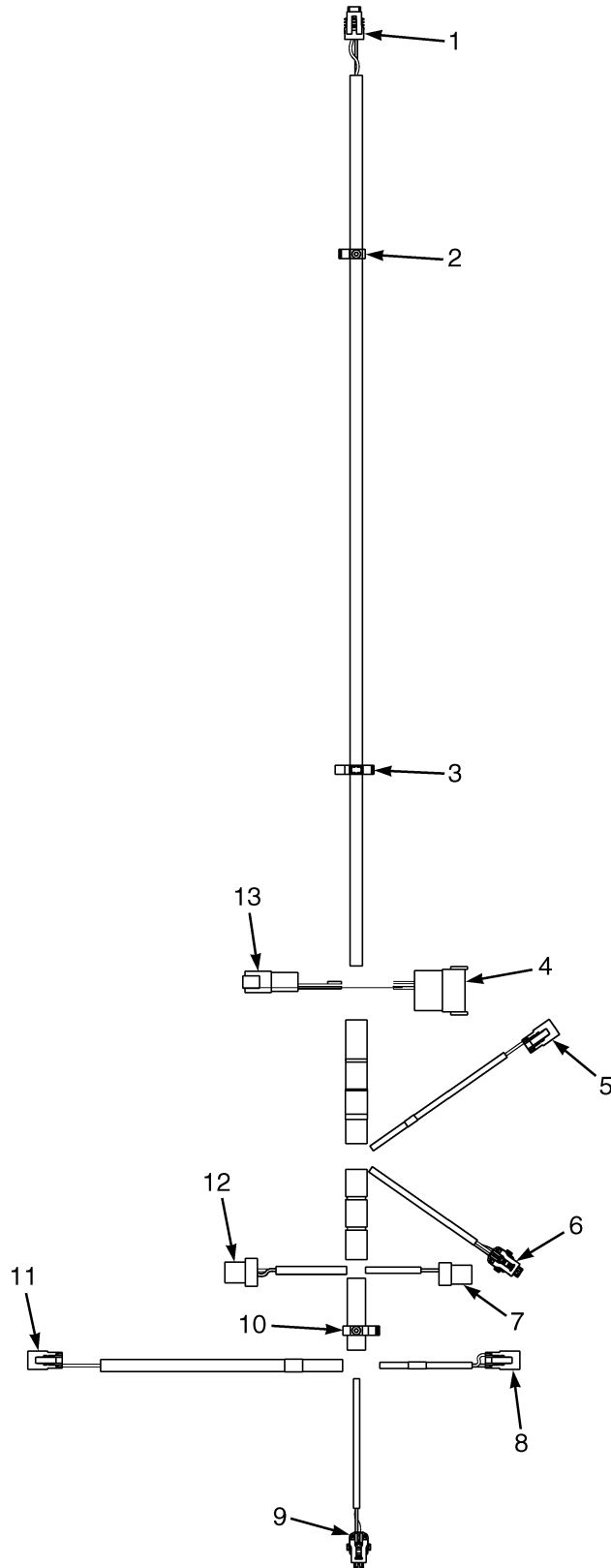


BP080631

**WIRE HARNESS  
LIGHTS**

ITEM	PART NO.	DESCRIPTION	QTY
	2098387	Wire Harness (Lights) .....	1
1	.....	Connector Assembly (Vehical System Management) .....	1
1	1525566	Connector .....	1
1	1500913	Connector .....	1
1	1330438	Terminal (Socket) .....	5
1	1484377	Plug .....	7
2	.....	Connector Assembly (RH Front Signal) .....	1
2	1484397	Connector (3-Way) .....	1
2	1463194	Connector (Secondary Lock) .....	1
2	1330438	Terminal (Socket) .....	3
3	.....	Connector Assembly (RH Rear Signal) .....	1
3	1531486	Connector .....	1
3	930591	Connector .....	1
3	1330355	Terminal .....	5
3	1330356	Seal .....	1
3	1482668	Plug (Cavity Plug) .....	1
3	1476108	Wire Seal (White) .....	4
4	.....	Connector Assembly (Strobe) .....	1
4	1484557	Connector (2 Socket) .....	1
4	1484558	Connector (Secondary Lock) .....	1
4	1463139	Terminal .....	2
5	.....	Connector Assembly (Rear Work Light) .....	1
5	1490242	Connector (2 Way) .....	1
5	1490243	Connector .....	1
5	1363886	Terminal (Socket) .....	2
6	.....	Connector Assembly (LH Rear Signal) .....	1
6	1531486	Connector .....	1
6	930591	Connector .....	1
6	1330355	Terminal .....	5
6	1330356	Seal .....	1
6	1482668	Plug (Cavity Plug) .....	1
6	1476108	Wire Seal (White) .....	4
7	.....	Connector Assembly (LH Front Signal) .....	1
7	1484397	Connector (3-Way) .....	1
7	1463194	Connector (Secondary Lock) .....	1
7	1330438	Terminal (Socket) .....	3
8	.....	Connector Assembly (LH Front Work Light) .....	1
8	1490242	Connector (2 Way) .....	1
8	1490243	Connector .....	1
8	1363886	Terminal (Socket) .....	2
9	.....	Connector Assembly (RH Front Work Light) .....	1
9	1490242	Connector (2 Way) .....	1
9	1490243	Connector .....	1
9	1363886	Terminal (Socket) .....	2
10	.....	Connector Assembly (RH Chassis) .....	1
10	1514597	Connector .....	1
10	1514598	Connector .....	1
10	1484709	Terminal (Pin) .....	4

**WIRE HARNESS (FIGURE 7-21)  
TRANSMISSION — SINGLE SPEED**

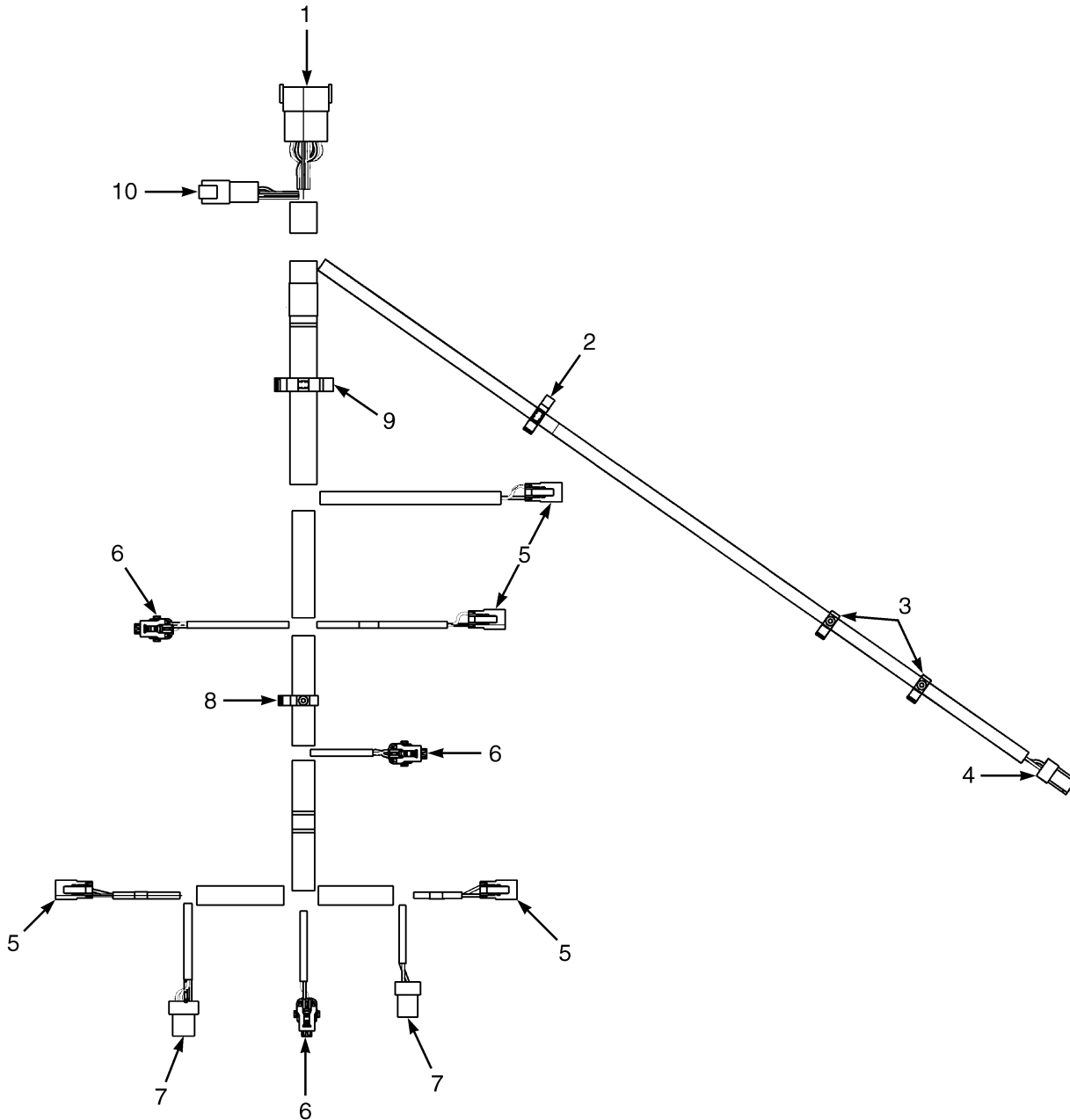


BP080894

**WIRE HARNESS  
TRANSMISSION – SINGLE SPEED**

ITEM	PART NO.	DESCRIPTION	QTY
	2105959	Wire Harness (Transmission) .....	1
1	.....	Connector Assembly (Transmission Temperature) .....	1
1	4009253	Connector .....	1
1	1323576	Terminal .....	2
2	1509888	Clip .....	1
3	1402816	Clip .....	1
4	.....	Connector Assembly (RH Chassis Harness) .....	1
4	1623280	Connector .....	1
4	1623281	Connector .....	1
4	1463138	Terminal Pin .....	10
4	1484377	Plug .....	2
5	.....	Connector Assembly (Clutch Forward 1) .....	1
5	1490242	Connector (2 Way) .....	1
5	1490243	Connector .....	1
5	1330438	Terminal (Socket) .....	2
6	.....	Connector Assembly (Forward 1 Pressure) .....	1
6	1603021	Connector .....	1
6	1603236	Connector (Secondary Lock) .....	1
6	1548517	Terminal (Socket) .....	3
6	1548519	Seal .....	3
7	.....	Connector Assembly (Turbine Shaft RPM) .....	1
7	1546673	Connector .....	1
7	1323576	Terminal .....	3
8	.....	Connector Assembly (Transmission Check Valve) .....	1
8	1490242	Connector (2 Way) .....	1
8	1490243	Connector .....	1
8	1330438	Terminal (Socket) .....	2
9	.....	Connector Assembly (Reverse 1 Pressure) .....	1
9	1603021	Connector .....	1
9	1603236	Connector (Secondary Lock) .....	1
9	1548517	Terminal (Socket) .....	3
9	1548519	Seal .....	3
10	1509890	Clip .....	1
11	.....	Connector Assembly (Clutch Reverse 1) .....	1
11	1490242	Connector (2 Way) .....	1
11	1490243	Connector .....	1
11	1330438	Terminal (Socket) .....	2
12	.....	Connector Assembly (Tail Shaft RPM - Toss) .....	1
12	1558156	Connector .....	1
12	1323576	Terminal .....	4
13	.....	Connector Assembly (RH Chassis Harness) .....	1
13	1530960	Connector .....	1
13	1530961	Connector (Secondary Lock) .....	1
13	1463138	Terminal Pin .....	4
13	1484377	Plug .....	2

## WIRE HARNESS (FIGURE 7-22) TRANSMISSION — DUAL SPEED



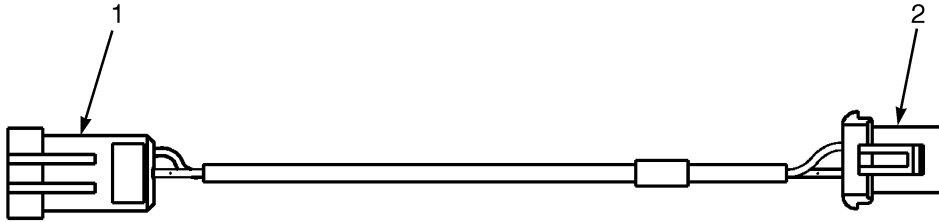
BP080479



**WIRE HARNESS  
TRANSMISSION – DUAL SPEED**

ITEM	PART NO.	DESCRIPTION	QTY
	2085942	Wire Harness (Transmission) .....	1
1	.....	Connector Assembly (To RH Chassis Harness) .....	1
1	1623280	Connector .....	1
1	1623281	Connector .....	1
1	1463138	Terminal Pin .....	11
1	1484377	Plug .....	2
2	1402816	Clip .....	1
3	1509888	Clip .....	2
4	.....	Connector Assembly (Temperature) .....	1
4	1402868	Connector .....	1
4	1323576	Terminal .....	2
5	.....	Connector Assembly (Clutch Forward 1, and 2 Reverse 1) .....	1
5	1490242	Connector (2 Way) .....	1
5	1490243	Connector .....	1
5	1330438	Terminal (Socket) .....	2
6	.....	Connector Assembly (Forward/Reverse 1 Pressure) .....	1
6	1603021	Connector .....	1
6	1603236	Connector (Secondary Lock) .....	1
6	1548517	Terminal (Socket) .....	3
6	1548519	Seal .....	3
7	.....	Connector Assembly (Turbine/Tail Shaft RPM) .....	1
7	1546673	Connector .....	1
7	1323576	Terminal .....	3
8	1509890	Clip .....	1
9	1402813	Clip .....	1
10	.....	Connector Assembly (To RH Chassis Harness) .....	1
10	1530960	Connector .....	1
10	1530961	Connector (Secondary Lock) .....	1
10	1463138	Terminal Pin .....	6

## WIRE HARNESS (FIGURE 7-23) ADAPTER — LOW FUEL PRESSURE

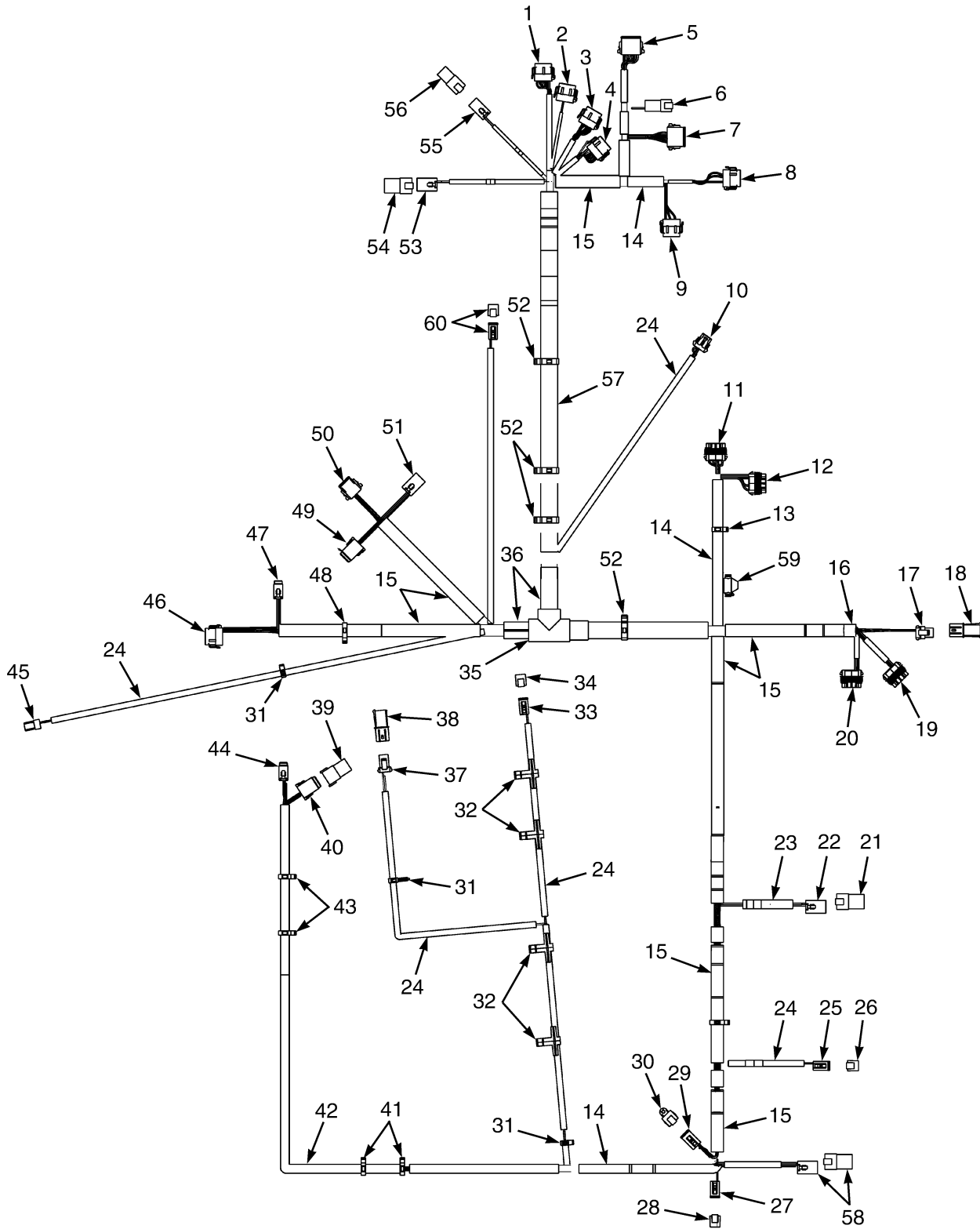


HP082028

ITEM	PART NO.	DESCRIPTION	QTY
	4602843	Wire Harness .....	1
1	.....	Connector Assembly (To LH Chassis Harness) .....	1
1	2795583	Connector (3 Way) .....	1
1	2787350	Pin Terminal .....	2
1	2069381	Plug .....	1
1	2060555	Wire Seal (Yellow) .....	2
2	.....	Connector Assembly (Low LPG Switch) .....	1
2	1329152	Plug .....	1
2	1329151	Terminal .....	1
2	1330281	Terminal .....	2
2	1402888	Seal (Purple) .....	2



## WIRE HARNESS (FIGURE 7-24) RH CHASSIS — KUBOTA 2.5L AND PSI 2.4L LPG



BP081693

**WIRE HARNESS**  
**RH CHASSIS – KUBOTA 2.5L AND PSI 2.4L LPG**

ITEM	PART NO.	DESCRIPTION	QTY
	4630231	Wire Harness (Chassis) .....	1
1	.....	Connector Assembly (Vehicle System Manager) .....	1
1	1525570	Connector .....	1
1	1463139	Terminal .....	8
1	1484377	Plug .....	4
1	1530037	Connector (Secondary Lock) .....	1
2	.....	Connector Assembly (Vehicle System Manager) .....	1
2	1525569	Connector .....	1
2	1463139	Terminal .....	12
2	1530037	Connector (Secondary Lock) .....	1
3	.....	Connector Assembly (Vehicle System Manager) .....	1
3	1525568	Connector .....	1
3	1463139	Terminal .....	9
3	1484377	Plug .....	3
3	1530037	Connector (Secondary Lock) .....	1
4	.....	Connector Assembly (Vehicle System Manager) .....	1
4	1525567	Connector .....	1
4	1463139	Terminal .....	9
4	1484377	Plug .....	3
4	1530037	Connector (Secondary Lock) .....	1
5	.....	Connector Assembly (Vehicle System Manager) .....	1
5	1525563	Connector .....	1
5	1330438	Terminal (Socket) .....	8
5	1363886	Terminal (Socket) .....	4
5	1500913	Connector (Secondary Lock) .....	1
6	.....	Connector Assembly (To Cowl Harness) .....	1
6	1489655	Connector (4 Way) .....	1
6	1330437	Terminal (Pin) .....	4
6	1330416	Connector .....	1
7	.....	Connector Assembly (To Cowl Harness) .....	1
7	1493428	Connector (12-Way) .....	1
7	1330438	Terminal (Socket) .....	9
7	1484377	Plug .....	3
7	1500913	Connector (Secondary Lock) .....	1
8	.....	Connector Assembly (Vehicle System Manager) .....	1
8	1525567	Connector .....	1
8	1463139	Terminal .....	3
8	1484377	Plug .....	9
8	1529046	Connector (Secondary Lock) .....	1
9	.....	Connector Assembly (Vehicle System Manager) .....	1
9	1525569	Connector .....	1
9	1463139	Terminal .....	9
9	1484377	Plug .....	3
9	1529046	Connector (Secondary Lock) .....	1
10	.....	Connector Assembly (Horn) .....	1
10	1476064	Connector .....	1
10	1476109	Connector Lock .....	1
10	1330356	Seal .....	2
10	1330355	Terminal .....	3
10	1476108	Wire Seal (White) .....	1

## WIRE HARNESS RH CHASSIS – KUBOTA 2.5L AND PSI 2.4L LPG

ITEM	PART NO.	DESCRIPTION	QTY
11	.....	Connector Assembly (Power Distribution Module) .....	1
11	1521184	Connector .....	1
11	1323579	Seal .....	5
11	1327164	Seal .....	2
11	1330281	Terminal .....	5
11	1521989	Terminal .....	1
11	1402888	Seal (Purple) .....	1
11	1521188	Lock .....	1
12	.....	Connector Assembly (Power Distribution Module) .....	1
12	1521183	Connector .....	1
12	1323579	Seal .....	7
12	1327164	Seal .....	1
12	1330281	Terminal .....	4
12	1521989	Terminal .....	3
12	1521188	Lock .....	1
13	1534828	Clip .....	1
14	275496	Conduit .....	AR
15	275497	Conduit .....	AR
16	1531490	Conduit .....	1
17	.....	Connector Assembly (Hydraulic Filter) .....	1
17	1329152	Plug .....	1
17	1329151	Terminal .....	1
17	1330281	Terminal .....	2
17	1402888	Seal (Purple) .....	2
18	.....	Connector Assembly (End Cap) .....	1
18	1329150	Connector .....	1
18	1327164	Seal .....	2
18	1329151	Terminal .....	1
19	.....	Connector Assembly (Power Distribution Module) .....	1
19	1521185	Connector .....	1
19	1521188	Lock .....	1
19	1323579	Seal .....	8
19	1521989	Terminal .....	2
19	1330281	Terminal .....	6
20	.....	Connector Assembly (Power Distribution Module) .....	1
20	1521186	Connector .....	1
20	1521188	Lock .....	1
20	1323579	Seal .....	7
20	1327164	Seal .....	1
20	1521989	Terminal .....	7
21	.....	Connector Assembly (End Cap) .....	1
21	4047669	Connector .....	1
21	1330439	Plug .....	4
22	.....	Connector Assembly (Accessory 2) .....	1
22	1632865	Connector .....	1
22	1514603	Connector .....	1
22	1330439	Plug .....	1
22	1554359	Terminal .....	3
23	275495	Conduit .....	AR
24	275493	Conduit .....	AR

**WIRE HARNESS**  
**RH CHASSIS – KUBOTA 2.5L AND PSI 2.4L LPG**

ITEM	PART NO.	DESCRIPTION	QTY
25	.....	Connector Assembly (Key Switch) .....	1
25	1490242	Connector (2 Way) .....	1
25	1490243	Connector .....	1
25	1330438	Terminal (Socket) .....	2
26	1626727	Connector (End Cap) .....	1
27	.....	Connector Assembly (To Alternate Horn Button) .....	1
27	1490242	Connector (2 Way) .....	1
27	1490243	Connector .....	1
27	1330438	Terminal (Socket) .....	1
28	1626727	Connector (Endcap) .....	1
29	.....	Connector Assembly (To Bus Terminal 2) .....	1
29	1489656	Connector (4-Way) .....	1
29	1489657	Connector .....	1
29	1330438	Terminal (Socket) .....	4
30	4036523	Cap .....	1
31	1509888	Clip .....	3
32	1587778	Clip .....	4
33	.....	Connector Assembly (To Back-Up Alarm Harness) .....	1
33	1490242	Connector (2 Way) .....	1
33	1490243	Connector .....	1
33	1330438	Terminal (Socket) .....	2
34	1626727	Connector (Endcap) .....	1
35	1531492	T-Fitting .....	1
36	275499	Conduit .....	AR
37	.....	Connector Assembly (Coolant Level) .....	1
37	4052151	Connector .....	1
37	1329151	Terminal .....	1
37	1330281	Terminal .....	2
37	1402888	Seal (Purple) .....	2
38	.....	Connector Assembly (Endcap) .....	1
38	1329150	Connector .....	1
38	1329151	Terminal .....	1
38	1327164	Seal .....	2
39	.....	Connector Assembly (Endcap) .....	1
39	1541988	Connector (8 Pin) .....	1
39	1484377	Plug .....	8
40	.....	Connector Assembly (To MLM Harness) .....	1
40	1541991	Connector .....	1
40	1541992	Connector .....	1
40	1463139	Terminal .....	5
40	1484377	Plug .....	3
41	1509890	Clip .....	2
42	1699754	Conduit .....	AR
43	1509890	Clip .....	2
44	1587778	Clip .....	4
44	.....	Connector Assembly (To Seat Harness) .....	1
44	1531973	Connector .....	1
44	1531974	Connector .....	1
44	1463139	Terminal .....	4
44	1484377	Plug .....	2

## WIRE HARNESS RH CHASSIS – KUBOTA 2.5L AND PSI 2.4L LPG

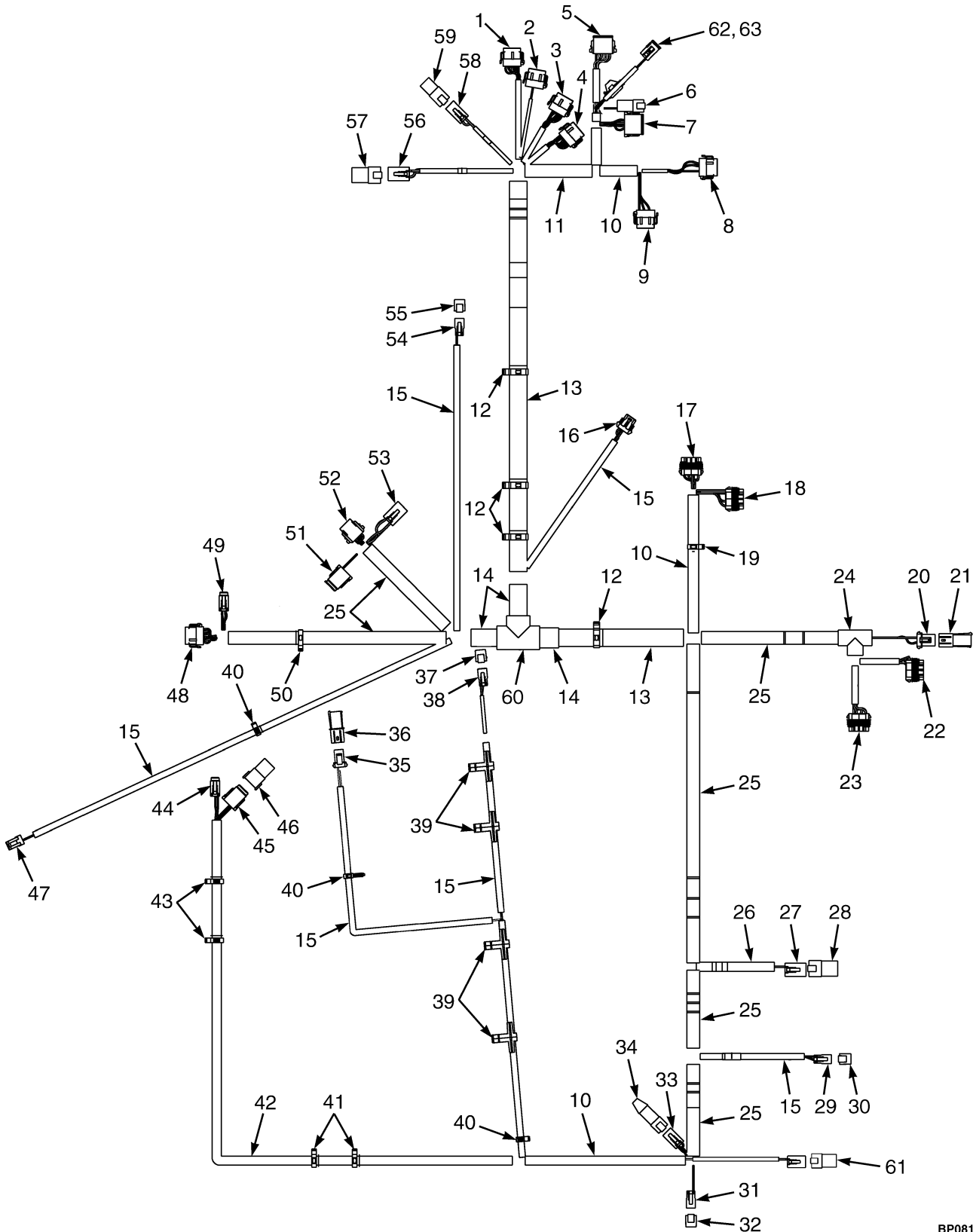
ITEM	PART NO.	DESCRIPTION	QTY
45	.....	Connector Assembly (Hydraulic Temp) .....	1
45	1402868	Connector .....	1
45	1323576	Terminal .....	2
46	.....	Connector Assembly (To Transmission Harness) .....	1
46	1525567	Connector .....	1
46	1529046	Connector (Lock) .....	1
46	1463139	Terminal .....	11
46	1484377	Plug .....	1
47	.....	Connector Assembly (To Transmission Harness) .....	1
47	1531973	Connector .....	1
47	1531974	Connector .....	1
47	1463139	Terminal .....	6
48	1500899	Clip .....	1
49	.....	Connector Assembly (To Engine Harness) .....	1
49	1493428	Connector (12-Way) .....	1
49	1330438	Terminal (Socket) .....	11
49	1484377	Plug .....	1
49	1500913	Connector (Secondary Lock) .....	1
50	.....	Connector Assembly (To Engine Harness) .....	1
50	1502625	Connector .....	1
50	1330438	Terminal (Socket) .....	8
50	1502626	Connector (Secondary Lock) .....	1
51	.....	Connector Assembly (To Engine Harness) .....	1
51	1632865	Connector .....	1
51	1554359	Terminal .....	3
51	1330439	Plug .....	1
51	1514603	Connector .....	1
52	1534282	Clip .....	4
53	.....	Connector Assembly (To Lights/Cab Harness) .....	1
53	1632865	Connector .....	1
53	1514603	Connector .....	1
53	1554359	Terminal .....	4
54	.....	Connector Assembly (Endcap) .....	1
54	4060737	Connector .....	1
54	1330439	Plug .....	4
55	.....	Connector Assembly (Acc 1) .....	1
55	4047664	Connector .....	1
55	1554359	Terminal .....	2
55	1546697	Connector (Secondary Lock) .....	1
56	.....	Connector Assembly .....	1
56	4060737	Connector .....	1
56	1330439	Plug .....	2
57	1540388	Conduit .....	AR
58	.....	Connector Assembly (Seat Switch Harness) .....	1
58	1632865	Connector .....	1
58	1514603	Connector .....	1
58	1554359	Terminal .....	4
59	1602431	Fuse Holder .....	1
60	.....	Connector Assembly (Hydraulic Solenoid) .....	1
60	1490242	Connector (2 Way) .....	1



**WIRE HARNESS**  
**RH CHASSIS – KUBOTA 2.5L AND PSI 2.4L LPG**

<b>ITEM</b>	<b>PART NO.</b>	<b>DESCRIPTION</b>	<b>QTY</b>
60	1490243	Connector .....	1
60	1330438	Terminal (Socket) .....	2
60	1626727	Connector (End Cap) .....	1

## WIRE HARNESS (FIGURE 7-25) RH CHASSIS WITH SEAT BELT SEQUENCE MODULE — KUBOTA 2.5L AND PSI 2.4L LPG



BP081734

**WIRE HARNESS**  
**RH CHASSIS WITH SEAT BELT SEQUENCE MODULE – KUBOTA 2.5L AND PSI 2.4L LPG**

ITEM	PART NO.	DESCRIPTION	QTY
	4635258	Wire Harness (Chassis) .....	1
1	.....	Connector Assembly (Vehicle System Manager) .....	1
1	1525570	Connector .....	1
1	1463139	Terminal .....	8
1	1484377	Plug .....	4
1	1530037	Connector (Secondary Lock) .....	1
2	.....	Connector Assembly (Vehicle System Manager) .....	1
2	1525569	Connector .....	1
2	1484377	Plug .....	10
2	1463139	Terminal .....	2
2	1530037	Connector (Secondary Lock) .....	1
3	.....	Connector Assembly (Vehicle System Manager) .....	1
3	1525568	Connector .....	1
3	1463139	Terminal .....	7
3	1484377	Plug .....	5
3	1530037	Connector (Secondary Lock) .....	1
4	.....	Connector Assembly (Vehicle System Manager) .....	1
4	1525567	Connector .....	1
4	1463139	Terminal .....	9
4	1484377	Plug .....	3
4	1530037	Connector (Secondary Lock) .....	1
5	.....	Connector Assembly (Vehicle System Manager) .....	1
5	1525563	Connector .....	1
5	1363886	Terminal (Socket) .....	4
5	1330438	Terminal (Socket) .....	8
5	1500913	Connector .....	1
6	.....	Connector Assembly (Cowl Harness) .....	1
6	1489655	Connector (4 Way) .....	1
6	1330437	Terminal (Pin) .....	4
6	1330416	Connector .....	1
7	.....	Connector Assembly (Cowl Harness) .....	1
7	1493428	Connector (12-Way) .....	1
7	1330438	Terminal (Socket) .....	10
7	1484377	Plug .....	2
7	1500913	Connector .....	1
8	.....	Connector Assembly (Vehicle System Manager) .....	1
8	1525567	Connector .....	1
8	1484377	Plug .....	9
8	1463139	Terminal .....	3
8	1529046	Connector (Secondary Lock) .....	1
9	.....	Connector Assembly (Vehicle System Manager) .....	1
9	1525569	Connector .....	1
9	1463139	Terminal .....	3
9	1484377	Plug .....	9
9	1529046	Connector (Secondary Lock) .....	1
10	275496	Conduit .....	AR
11	275497	Conduit .....	AR
12	1534282	Clip .....	4
13	1540388	Conduit .....	AR
14	275499	Conduit .....	AR

## WIRE HARNESS

### RH CHASSIS WITH SEAT BELT SEQUENCE MODULE – KUBOTA 2.5L AND PSI 2.4L LPG

ITEM	PART NO.	DESCRIPTION	QTY
15	275493	Conduit .....	AR
16	.....	Connector Assembly (Horn) .....	1
16	1476064	Connector .....	1
16	1330355	Terminal .....	3
16	1330356	Seal .....	2
16	1476108	Wire Seal (White) .....	1
16	1476109	Connector Lock .....	1
17	.....	Connector Assembly (Power Distribution Module) .....	1
17	1521184	Connector .....	1
17	1327164	Seal .....	1
17	1330281	Terminal .....	6
17	1521989	Terminal .....	1
17	1323579	Seal .....	5
17	1402888	Seal (Purple) .....	2
17	1521188	Lock .....	1
18	.....	Connector Assembly (Power Distribution Module) .....	1
18	1521183	Connector .....	1
18	1330281	Terminal .....	4
18	1327164	Seal .....	1
18	1323579	Seal .....	7
18	1521989	Terminal .....	3
18	1521188	Lock .....	1
19	1534828	Clip .....	1
20	.....	Connector Assembly (Hydraulic Filter) .....	1
20	1329152	Plug .....	1
20	1330281	Terminal .....	2
20	1402888	Seal (Purple) .....	2
20	1329151	Terminal .....	1
21	.....	Connector Assembly (End Cap) .....	1
21	1329150	Connector .....	1
21	1327164	Seal .....	2
21	1329151	Terminal .....	1
22	.....	Connector Assembly (Power Distribution Module) .....	1
22	1521185	Connector .....	1
22	1330281	Terminal .....	5
22	1521989	Terminal .....	3
22	1323579	Seal .....	8
22	1521188	Lock .....	1
23	.....	Connector Assembly (Power Distribution Module) .....	1
23	1521186	Connector .....	1
23	1521989	Terminal .....	7
23	1323579	Seal .....	7
23	1327164	Seal .....	1
23	1521188	Lock .....	1
24	1531490	Conduit .....	1
25	275497	Conduit .....	AR
26	275495	Conduit .....	AR
27	.....	Connector Assembly (Accessory 2) .....	1
27	1514602	Connector .....	1
27	1554359	Terminal .....	3

**WIRE HARNESS**  
**RH CHASSIS WITH SEAT BELT SEQUENCE MODULE – KUBOTA 2.5L AND PSI 2.4L LPG**

ITEM	PART NO.	DESCRIPTION	QTY
27	1330439	Plug .....	1
27	1514603	Connector .....	1
28	.....	Connector Assembly (End Cap) .....	1
28	1514597	Connector .....	1
28	1330439	Plug .....	4
29	.....	Connector Assembly (Hood Switch/Key Switch) .....	1
29	1490242	Connector (2 Way) .....	1
29	1330438	Terminal (Socket) .....	1
29	1490243	Connector .....	1
30	1626727	Connector (End Cap) .....	1
31	.....	Connector Assembly (Alternate Horn Button) .....	1
31	1490242	Connector (2 Way) .....	1
31	1330438	Terminal (Socket) .....	2
31	1490243	Connector .....	1
32	1626727	Connector (End Cap) .....	1
33	.....	Connector Assembly (Bus Terminal) .....	1
33	1489656	Connector (4-Way) .....	1
33	1330438	Terminal (Socket) .....	4
33	1489657	Connector (Secondary Lock) .....	1
34	1531973	Connector (End Cap) .....	1
35	.....	Connector Assembly (Coolant Level) .....	1
35	1329152	Plug .....	1
35	1330281	Terminal .....	2
35	1402888	Seal (Purple) .....	2
35	1329151	Terminal .....	1
36	.....	Connector Assembly (End Cap) .....	1
36	1493428	Connector (12-Way) .....	1
36	1327164	Seal .....	2
36	1329151	Terminal .....	1
37	1626727	Connector (End Cap) .....	1
38	.....	Connector Assembly (Back-Up Alarm) .....	1
38	1490242	Connector (2 Way) .....	1
38	1330438	Terminal (Socket) .....	2
38	1490243	Connector .....	1
39	1587778	Clip .....	4
40	1509888	Clip .....	2
41	1509890	Clip .....	2
42	1699754	Conduit .....	AR
43	1509890	Clip .....	2
44	.....	Connector Assembly (Seat Harness) .....	1
44	1531973	Connector .....	1
44	1463139	Terminal .....	4
44	1484377	Plug .....	2
44	1531974	Connector .....	1
45	.....	Connector Assembly (MLM Harness) .....	1
45	1541991	Connector .....	1
45	1463139	Terminal .....	5
45	1484377	Plug .....	3
45	1541992	Connector (Secondary Lock) .....	1
46	.....	Connector Assembly (Endcap) .....	1

## WIRE HARNESS

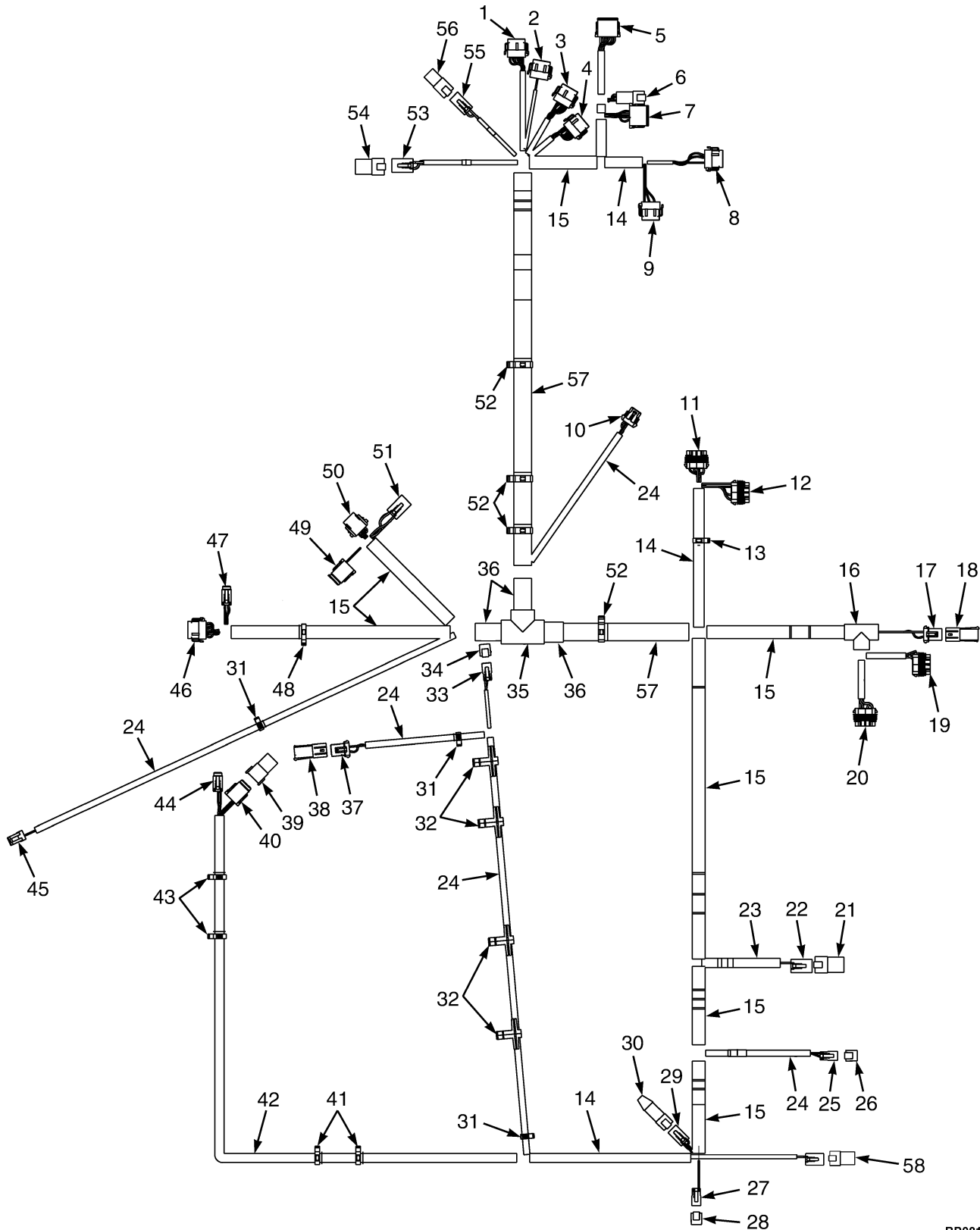
### RH CHASSIS WITH SEAT BELT SEQUENCE MODULE – KUBOTA 2.5L AND PSI 2.4L LPG

ITEM	PART NO.	DESCRIPTION	QTY
46	1541988	Connector (8 Pin) .....	1
46	1484377	Plug .....	8
47	.....	Connector Assembly (Hydraulic Temp) .....	1
47	1402868	Connector .....	1
47	1323576	Terminal .....	2
48	.....	Connector Assembly (Transmission Harness) .....	1
48	1525567	Connector .....	1
48	1463139	Terminal .....	11
48	1484377	Plug .....	1
48	1529046	Connector (Secondary Lock) .....	1
49	.....	Connector Assembly (Transmission Harness) .....	1
49	1531973	Connector .....	1
49	1463139	Terminal .....	6
49	1531974	Connector .....	1
50	1500899	Clip .....	1
51	.....	Connector Assembly (Engine Harness) .....	1
51	1541991	Connector .....	1
51	1463139	Terminal .....	8
51	1541992	Connector (Secondary Lock) .....	1
52	.....	Connector Assembly (Engine Harness) .....	1
52	1502625	Connector .....	1
52	1330438	Terminal (Socket) .....	8
52	1484377	Plug .....	1
52	1502626	Connector (Secondary Lock) .....	1
53	.....	Connector Assembly (Engine Harness) .....	1
53	1514602	Connector .....	1
53	1554359	Terminal .....	4
53	1514603	Connector .....	1
54	.....	Connector Assembly (Hydraulic Solenoid) .....	1
54	1490242	Connector (2 Way) .....	1
54	1330438	Terminal (Socket) .....	2
54	1490243	Connector .....	1
55	1626727	Connector (End Cap) .....	1
56	.....	Connector Assembly (Lights/Cab Harness) .....	1
56	1514602	Connector .....	1
56	1554359	Terminal .....	4
56	1514603	Connector .....	1
57	.....	Connector Assembly (End Cap) .....	1
57	1514597	Connector .....	1
57	1330439	Plug .....	4
58	.....	Connector Assembly (Accessory 1) .....	1
58	1545202	Connector .....	1
58	1554359	Terminal .....	2
58	1546697	Connector .....	1
59	.....	Connector Assembly (End Cap) .....	1
59	1480187	Connector .....	1
60	1531492	T-Fitting .....	1
61	.....	Connector Assembly (Seat Switch Harness) .....	1
61	1493465	Connector (2 Pin) .....	1
61	1330414	Connector (Secondary Lock) .....	1

**WIRE HARNESS**  
**RH CHASSIS WITH SEAT BELT SEQUENCE MODULE – KUBOTA 2.5L AND PSI 2.4L LPG**

ITEM	PART NO.	DESCRIPTION	QTY
61	1330437	Terminal (Pin) .....	2
62	.....	Connector Assembly (Seat Belt Sequence Module) .....	1
62	1502625	Connector .....	1
62	1502626	Connector .....	1
62	1330438	Terminal (Socket) .....	6
62	1484377	Plug .....	2
63	1602431	Fuse Holder .....	1
63	1498044	Fuse (5 Amp) .....	1

## WIRE HARNESS (FIGURE 7-26) RH CHASSIS — YANMAR 2.6L, 3.0L AND 3.3L, DIESEL



BP081461



**WIRE HARNESS**  
**RH CHASSIS – YANMAR 2.6L, 3.0L AND 3.3L, DIESEL**

ITEM	PART NO.	DESCRIPTION	QTY
	4629784	Wire Harness (Chassis) .....	1
1	.....	Connector Assembly (Vehicle System Manager) .....	1
1	1525570	Connector .....	1
1	1463139	Terminal .....	8
1	1484377	Plug .....	4
1	1530037	Connector (Secondary Lock) .....	1
2	.....	Connector Assembly (Vehicle System Manager) .....	1
2	1525569	Connector .....	1
2	1463139	Terminal .....	12
2	1530037	Connector (Secondary Lock) .....	1
3	.....	Connector Assembly (Vehicle System Manager) .....	1
3	1525568	Connector .....	1
3	1463139	Terminal .....	9
3	1484377	Plug .....	3
3	1530037	Connector (Secondary Lock) .....	1
4	.....	Connector Assembly (Vehicle System Manager) .....	1
4	1525567	Connector .....	1
4	1463139	Terminal .....	9
4	1484377	Plug .....	3
4	1530037	Connector (Secondary Lock) .....	1
5	.....	Connector Assembly (Vehicle System Manager) .....	1
5	1525563	Connector .....	1
5	1330438	Terminal (Socket) .....	8
5	1363886	Terminal (Socket) .....	4
5	1500913	Connector (Secondary Lock) .....	1
6	.....	Connector Assembly (To Cowl Harness) .....	1
6	1489655	Connector (4 Way) .....	1
6	1330437	Terminal (Pin) .....	4
6	1330416	Connector .....	1
7	.....	Connector Assembly (To Cowl Harness) .....	1
7	1493428	Connector (12-Way) .....	1
7	1330438	Terminal (Socket) .....	9
7	1484377	Plug .....	3
7	1500913	Connector (Secondary Lock) .....	1
8	.....	Connector Assembly (Vehicle System Manager) .....	1
8	1525567	Connector .....	1
8	1463139	Terminal .....	3
8	1484377	Plug .....	9
8	1529046	Connector (Secondary Lock) .....	1
9	.....	Connector Assembly (Vehicle System Manager) .....	1
9	1525569	Connector .....	1
9	1463139	Terminal .....	9
9	1484377	Plug .....	3
9	1529046	Connector (Secondary Lock) .....	1
10	.....	Connector Assembly (Horn) .....	1
10	1476064	Connector .....	1
10	1476109	Connector Lock .....	1
10	1330356	Seal .....	2
10	1330355	Terminal .....	3
10	1476108	Wire Seal (White) .....	1

## WIRE HARNESS RH CHASSIS – YANMAR 2.6L, 3.0L AND 3.3L, DIESEL

ITEM	PART NO.	DESCRIPTION	QTY
11	.....	Connector Assembly (Power Distribution Module) .....	1
11	1521184	Connector .....	1
11	1323579	Seal .....	5
11	1327164	Seal .....	2
11	1330281	Terminal .....	5
11	1521989	Terminal .....	1
11	1402888	Seal (Purple) .....	1
11	1521188	Lock .....	1
12	.....	Connector Assembly (Power Distribution Module) .....	1
12	1521183	Connector .....	1
12	1323579	Seal .....	7
12	1327164	Seal .....	1
12	1330281	Terminal .....	4
12	1521989	Terminal .....	3
12	1521188	Lock .....	1
13	1534828	Clip .....	1
14	275496	Conduit .....	AR
15	275497	Conduit .....	AR
16	1531490	Conduit .....	1
17	.....	Connector Assembly (Hydraulic Filter) .....	1
17	1329152	Plug .....	1
17	1329151	Terminal .....	1
17	1330281	Terminal .....	2
17	1402888	Seal (Purple) .....	2
18	.....	Connector Assembly (End Cap) .....	1
18	1329150	Connector .....	1
18	1327164	Seal .....	2
18	1329151	Terminal .....	1
19	.....	Connector Assembly (Power Distribution Module) .....	1
19	1521185	Connector .....	1
19	1521188	Lock .....	1
19	1323579	Seal .....	8
19	1521989	Terminal .....	2
19	1330281	Terminal .....	6
20	.....	Connector Assembly (Power Distribution Module) .....	1
20	1521186	Connector .....	1
20	1521188	Lock .....	1
20	1323579	Seal .....	7
20	1327164	Seal .....	1
20	1521989	Terminal .....	7
21	.....	Connector Assembly (End Cap) .....	1
21	4047669	Connector .....	1
21	1330439	Plug .....	4
22	.....	Connector Assembly (Accessory 2) .....	1
22	1632865	Connector .....	1
22	1514603	Connector .....	1
22	1330439	Plug .....	1
22	1554359	Terminal .....	3
23	275495	Conduit .....	AR
24	275493	Conduit .....	AR

**WIRE HARNESS**  
**RH CHASSIS – YANMAR 2.6L, 3.0L AND 3.3L, DIESEL**

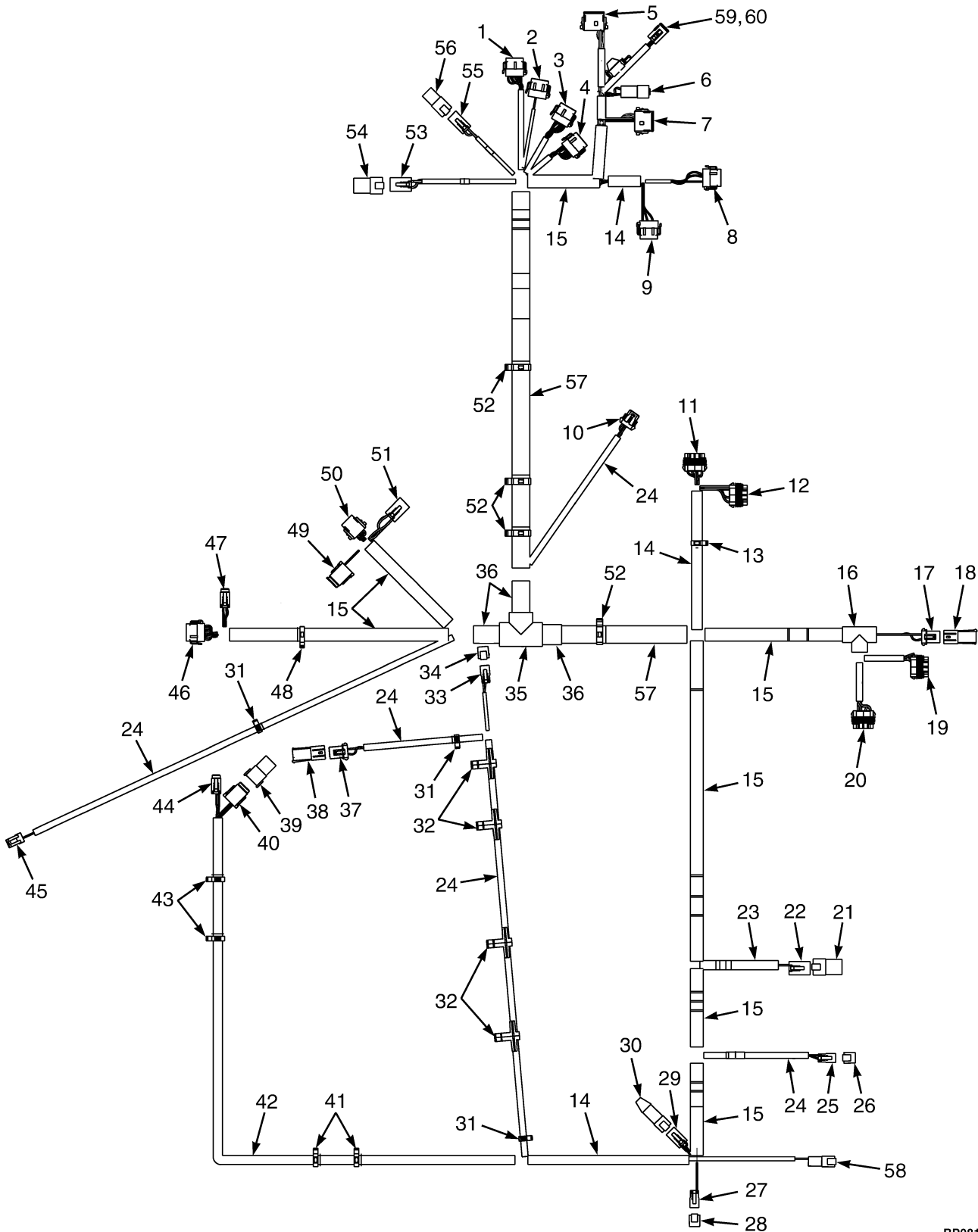
ITEM	PART NO.	DESCRIPTION	QTY
25	.....	Connector Assembly (Key Switch) .....	1
25	1490242	Connector (2 Way) .....	1
25	1490243	Connector .....	1
25	1330438	Terminal (Socket) .....	2
26	1626727	Connector (End Cap) .....	1
27	.....	Connector Assembly (To Alternate Horn Button) .....	1
27	1490242	Connector (2 Way) .....	1
27	1490243	Connector .....	1
27	1330438	Terminal (Socket) .....	1
28	1626727	Connector (Endcap) .....	1
29	.....	Connector Assembly (To Bus Terminal 2) .....	1
29	1489656	Connector (4-Way) .....	1
29	1489657	Connector .....	1
29	1330438	Terminal (Socket) .....	4
30	1525577	Connector (With Resistor) .....	1
31	1509888	Clip .....	3
32	1587778	Clip .....	4
33	.....	Connector Assembly (To Back-Up Alarm Harness) .....	1
33	1490242	Connector (2 Way) .....	1
33	1490243	Connector .....	1
33	1330438	Terminal (Socket) .....	2
34	1626727	Connector (Endcap) .....	1
35	1531492	T-Fitting .....	1
36	275499	Conduit .....	AR
37	.....	Connector Assembly (Coolant Level) .....	1
37	4052151	Connector .....	1
37	1329151	Terminal .....	1
37	1330281	Terminal .....	2
37	1402888	Seal (Purple) .....	2
38	.....	Connector Assembly (Endcap) .....	1
38	1329150	Connector .....	1
38	1329151	Terminal .....	1
38	1327164	Seal .....	2
39	.....	Connector Assembly (Endcap) .....	1
39	1541988	Connector (8 Pin) .....	1
39	1484377	Plug .....	8
40	.....	Connector Assembly (To MLM Harness) .....	1
40	1541991	Connector .....	1
40	1541992	Connector .....	1
40	1463139	Terminal .....	5
40	1484377	Plug .....	3
41	1509890	Clip .....	2
42	1699754	Conduit .....	AR
43	1509890	Clip .....	2
44	1587778	Clip .....	4
44	.....	Connector Assembly (To Seat Harness) .....	1
44	1531973	Connector .....	1
44	1531974	Connector .....	1
44	1463139	Terminal .....	4
44	1484377	Plug .....	2

## WIRE HARNESS RH CHASSIS – YANMAR 2.6L, 3.0L AND 3.3L, DIESEL

ITEM	PART NO.	DESCRIPTION	QTY
45	.....	Connector Assembly (Hydraulic Temp) .....	1
45	1402868	Connector .....	1
45	1323576	Terminal .....	2
46	.....	Connector Assembly (To Transmission Harness) .....	1
46	1525567	Connector .....	1
46	1529046	Connector (Lock) .....	1
46	1463139	Terminal .....	11
46	1484377	Plug .....	1
47	.....	Connector Assembly (To Transmission Harness) .....	1
47	1531973	Connector .....	1
47	1531974	Connector .....	1
47	1463139	Terminal .....	6
48	1500899	Clip .....	1
49	.....	Connector Assembly (To Engine Harness) .....	1
49	1493428	Connector (12-Way) .....	1
49	1330438	Terminal (Socket) .....	11
49	1484377	Plug .....	1
49	1500913	Connector (Secondary Lock) .....	1
50	.....	Connector Assembly (To Engine Harness) .....	1
50	1541991	Connector .....	1
50	1463139	Terminal .....	8
50	1541992	Connector (Secondary Lock) .....	1
51	.....	Connector Assembly (To Engine Harness) .....	1
51	1632865	Connector .....	1
51	1554359	Terminal .....	3
51	1330439	Plug .....	1
51	1514603	Connector .....	1
52	1534282	Clip .....	4
53	.....	Connector Assembly (To Lights/Cab Harness) .....	1
53	1632865	Connector .....	1
53	1514603	Connector .....	1
53	1554359	Terminal .....	4
54	.....	Connector Assembly (Endcap) .....	1
54	4060737	Connector .....	1
54	1330439	Plug .....	4
55	.....	Connector Assembly (Acc 1) .....	1
55	4047664	Connector .....	1
55	1554359	Terminal .....	2
55	1546697	Connector (Secondary Lock) .....	1
56	.....	Connector Assembly .....	1
56	4060737	Connector .....	1
56	1330439	Plug .....	2
57	1540388	Conduit .....	AR
58	.....	Connector Assembly (Seat Switch Harness) .....	1
58	1632865	Connector .....	1
58	1514603	Connector .....	1
58	1554359	Terminal .....	4



## WIRE HARNESS (FIGURE 7-27) RH CHASSIS WITH SEAT BELT SEQUENCE MODULE — YANMAR 2.6L, 3.0L AND 3.3L, DIESEL



BP081735

**WIRE HARNESS**  
**RH CHASSIS WITH SEAT BELT SEQUENCE MODULE – YANMAR 2.6L, 3.0L AND 3.3L, DIESEL**

ITEM	PART NO.	DESCRIPTION	QTY
	4635288	Wire Harness (Chassis) .....	1
1	.....	Connector Assembly (Vehicle System Manager) .....	1
1	1525570	Connector .....	1
1	1463139	Terminal .....	8
1	1484377	Plug .....	4
1	1530037	Connector (Secondary Lock) .....	1
2	.....	Connector Assembly (Vehicle System Manager) .....	1
2	1525569	Connector .....	1
2	1463139	Terminal .....	12
2	1530037	Connector (Secondary Lock) .....	1
3	.....	Connector Assembly (Vehicle System Manager) .....	1
3	1525568	Connector .....	1
3	1463139	Terminal .....	9
3	1484377	Plug .....	3
3	1530037	Connector (Secondary Lock) .....	1
4	.....	Connector Assembly (Vehicle System Manager) .....	1
4	1525567	Connector .....	1
4	1463139	Terminal .....	9
4	1484377	Plug .....	3
4	1530037	Connector (Secondary Lock) .....	1
5	.....	Connector Assembly (Vehicle System Manager) .....	1
5	1525563	Connector .....	1
5	1330438	Terminal (Socket) .....	8
5	1363886	Terminal (Socket) .....	4
5	1500913	Connector .....	1
6	.....	Connector Assembly (To Cowl Harness) .....	1
6	1489655	Connector (4 Way) .....	1
6	1330437	Terminal (Pin) .....	4
6	1330416	Connector .....	1
7	.....	Connector Assembly (To Cowl Harness) .....	1
7	1493428	Connector (12-Way) .....	1
7	1330438	Terminal (Socket) .....	9
7	1484377	Plug .....	3
7	1500913	Connector .....	1
8	.....	Connector Assembly (Vehicle System Manager) .....	1
8	1525567	Connector .....	1
8	1463139	Terminal .....	3
8	1484377	Plug .....	9
8	1529046	Connector (Secondary Lock) .....	1
9	.....	Connector Assembly (Vehicle System Manager) .....	1
9	1525569	Connector .....	1
9	1463139	Terminal .....	9
9	1484377	Plug .....	3
9	1529046	Connector (Secondary Lock) .....	1
10	.....	Connector Assembly (Horn) .....	1
10	1476064	Connector .....	1
10	1476109	Connector Lock .....	1
10	1330356	Seal .....	2
10	1330355	Terminal .....	3
10	1476108	Wire Seal (White) .....	1

## WIRE HARNESS

### RH CHASSIS WITH SEAT BELT SEQUENCE MODULE – YANMAR 2.6L, 3.0L AND 3.3L, DIESEL

ITEM	PART NO.	DESCRIPTION	QTY
11	.....	Connector Assembly (Power Distribution Module) .....	1
11	1521184	Connector .....	1
11	1323579	Seal .....	5
11	1327164	Seal .....	2
11	1330281	Terminal .....	5
11	1521989	Terminal .....	1
11	1402888	Seal (Purple) .....	1
11	1521188	Lock .....	1
12	.....	Connector Assembly (Power Distribution Module) .....	1
12	1521183	Connector .....	1
12	1323579	Seal .....	7
12	1327164	Seal .....	1
12	1330281	Terminal .....	4
12	1521989	Terminal .....	3
12	1521188	Lock .....	1
13	1534828	Clip .....	1
14	275496	Conduit .....	AR
15	275497	Conduit .....	AR
16	1531490	Conduit .....	1
17	.....	Connector Assembly (Hydraulic Filter) .....	1
17	1329152	Plug .....	1
17	1329151	Terminal .....	1
17	1330281	Terminal .....	2
17	1402888	Seal (Purple) .....	2
18	.....	Connector Assembly (End Cap) .....	1
18	1329150	Connector .....	1
18	1327164	Seal .....	2
18	1329151	Terminal .....	1
19	.....	Connector Assembly (Power Distribution Module) .....	1
19	1521185	Connector .....	1
19	1521188	Lock .....	1
19	1323579	Seal .....	8
19	1521989	Terminal .....	2
19	1330281	Terminal .....	6
20	.....	Connector Assembly (Power Distribution Module) .....	1
20	1521186	Connector .....	1
20	1521188	Lock .....	1
20	1323579	Seal .....	7
20	1327164	Seal .....	1
20	1521989	Terminal .....	7
21	.....	Connector Assembly (End Cap) .....	1
21	1514597	Connector .....	1
21	1330439	Plug .....	4
22	.....	Connector Assembly (Accessory 2) .....	1
22	1514602	Connector .....	1
22	1514603	Connector .....	1
22	1330439	Plug .....	1
22	1554359	Terminal .....	3
23	275495	Conduit .....	AR
24	275493	Conduit .....	AR



**WIRE HARNESS**  
**RH CHASSIS WITH SEAT BELT SEQUENCE MODULE – YANMAR 2.6L, 3.0L AND 3.3L, DIESEL**

ITEM	PART NO.	DESCRIPTION	QTY
25	.....	Connector Assembly (Key Switch) .....	1
25	1490242	Connector (2 Way) .....	1
25	1490243	Connector .....	1
25	1330438	Terminal (Socket) .....	2
26	1626727	Connector (End Cap) .....	1
27	.....	Connector Assembly (To Alternate Horn Button) .....	1
27	1490242	Connector (2 Way) .....	1
27	1490243	Connector .....	1
27	1330438	Terminal (Socket) .....	1
28	1626727	Connector (Endcap) .....	1
29	.....	Connector Assembly (To Bus Terminal 2) .....	1
29	1489656	Connector (4-Way) .....	1
29	1489657	Connector .....	1
29	1330438	Terminal (Socket) .....	4
30	1525577	Connector (With Resistor) .....	1
31	1509888	Clip .....	3
32	1587778	Clip .....	4
33	.....	Connector Assembly (To Back-Up Alarm Harness) .....	1
33	1490242	Connector (2 Way) .....	1
33	1490243	Connector .....	1
33	1330438	Terminal (Socket) .....	2
34	1626727	Connector (Endcap) .....	1
35	1531492	T-Fitting .....	1
36	275499	Conduit .....	AR
37	.....	Connector Assembly (Coolant Level) .....	1
37	1329152	Plug .....	1
37	1329151	Terminal .....	1
37	1330281	Terminal .....	2
37	1402888	Seal (Purple) .....	2
38	.....	Connector Assembly (Endcap) .....	1
38	1329150	Connector .....	1
38	1329151	Terminal .....	1
38	1327164	Seal .....	2
39	.....	Connector Assembly (Endcap) .....	1
39	1541988	Connector (8 Pin) .....	1
39	1484377	Plug .....	8
40	1514597	Connector .....	1
40	1330439	Plug .....	4
40	.....	Connector Assembly (To MLM Harness) .....	1
40	1541991	Connector .....	1
40	1541992	Connector .....	1
40	1463139	Terminal .....	5
40	1484377	Plug .....	3
41	1509890	Clip .....	2
42	1699754	Conduit .....	AR
43	1509890	Clip .....	2
44	1587778	Clip .....	4
44	.....	Connector Assembly (To Seat Harness) .....	1
44	1531973	Connector .....	1
44	1531974	Connector .....	1

## WIRE HARNESS

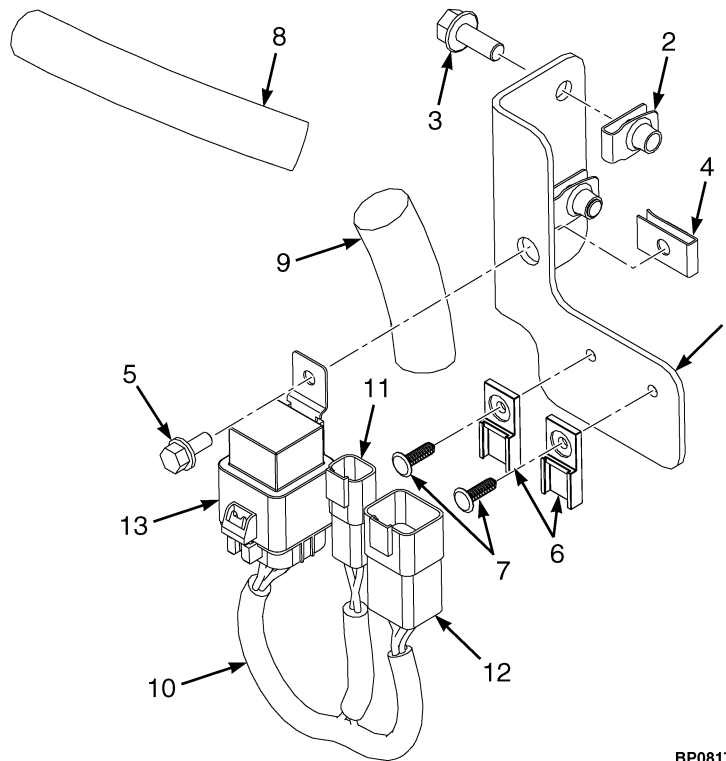
### RH CHASSIS WITH SEAT BELT SEQUENCE MODULE – YANMAR 2.6L, 3.0L AND 3.3L, DIESEL

ITEM	PART NO.	DESCRIPTION	QTY
44	1463139	Terminal .....	4
44	1484377	Plug .....	2
45	.....	Connector Assembly (Hydraulic Temp) .....	1
45	1402868	Connector .....	1
45	1323576	Terminal .....	2
46	.....	Connector Assembly (To Transmission Harness) .....	1
46	1525567	Connector .....	1
46	1529046	Connector .....	1
46	1463139	Terminal .....	11
46	1484377	Plug .....	1
47	.....	Connector Assembly (To Transmission Harness) .....	1
47	1531973	Connector .....	1
47	1531974	Connector .....	1
47	1463139	Terminal .....	6
48	1500899	Clip .....	1
49	.....	Connector Assembly (To Engine Harness) .....	1
49	1493428	Connector (12-Way) .....	1
49	1330438	Terminal (Socket) .....	11
49	1484377	Plug .....	1
49	1500913	Connector .....	1
50	.....	Connector Assembly (To Engine Harness) .....	1
50	1541991	Connector .....	1
50	1463139	Terminal .....	8
50	1541992	Connector (Secondary Lock) .....	1
51	.....	Connector Assembly (To Engine Harness) .....	1
51	1514602	Connector .....	1
51	1554359	Terminal .....	3
51	1330439	Plug .....	1
51	1514603	Connector .....	1
52	1534282	Clip .....	4
53	.....	Connector Assembly (To Lights/Cab Harness) .....	1
53	1514602	Connector .....	1
53	1514603	Connector .....	1
53	1554359	Terminal .....	4
54	.....	Connector Assembly (Endcap) .....	1
54	1514597	Connector .....	1
54	1330439	Plug .....	4
55	.....	Connector Assembly (Acc 1) .....	1
55	1545202	Connector .....	1
55	1554359	Terminal .....	2
55	1546697	Connector (Secondary Lock) .....	1
56	.....	Connector Assembly .....	1
56	1480187	Connector .....	1
56	1330439	Plug .....	2
57	1540388	Conduit .....	AR
58	.....	Connector Assembly (Seat Switch Harness) .....	1
58	1493465	Connector (2 Pin) .....	1
58	1330414	Connector (Secondary Lock) .....	1
58	1330437	Terminal (Pin) .....	2
59	.....	Connector Assembly (Seat Belt Sequence Module) .....	1

**WIRE HARNESS****RH CHASSIS WITH SEAT BELT SEQUENCE MODULE – YANMAR 2.6L, 3.0L AND 3.3L, DIESEL**

<b>ITEM</b>	<b>PART NO.</b>	<b>DESCRIPTION</b>	<b>QTY</b>
59	1502625	Connector .....	1
59	1502626	Connector (Secondary Lock) .....	1
59	1330438	Terminal (Socket) .....	6
59	1484377	Plug .....	2
60	1602431	Fuse Holder .....	1
60	1498044	Fuse (5 Amp) .....	1

## SEAT BELT SWITCH ADAPTER (FIGURE 7-28)

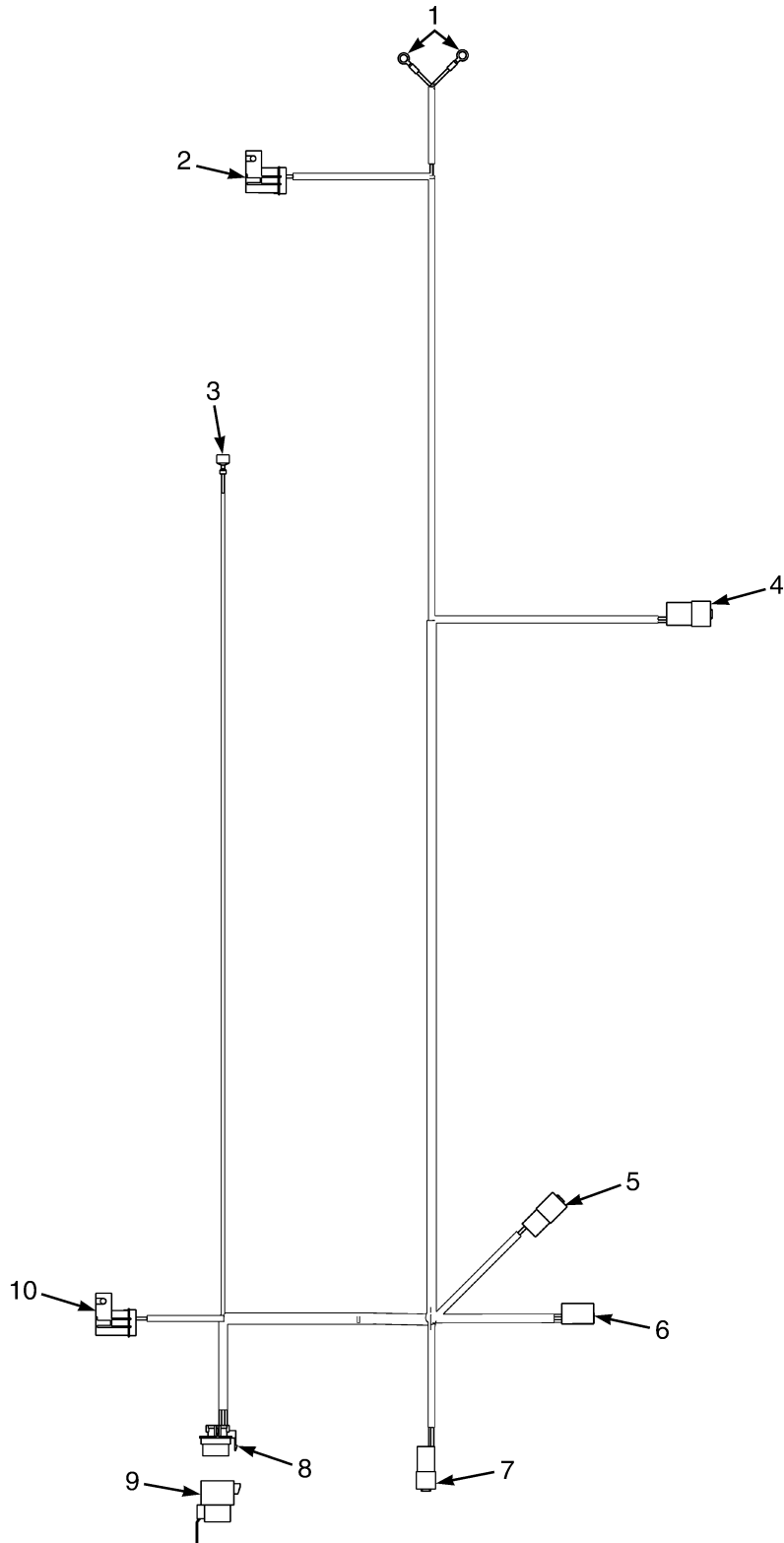


BP081704

ITEM	PART NO.	DESCRIPTION	QTY
1	4052234	Bracket .....	1
2	1480237	Nut .....	2
3	1527880	Capscrew .....	2
4	1566420	Nut (Foldover) .....	1
5	1693371	Capscrew .....	1
6	1500912	Clip .....	2
7	1582464	Fastener .....	2
8	4099377	Wrap .....	1
9	4099378	Wrap .....	1
10	4620434	Wire Harness (Seat Belt Switch Adapter) .....	1
11	.....	Connector Assembly (Seat Belt Switch Harness) .....	1
11	1493465	Connector (2 Pin) .....	1
11	1330414	Connector (Secondary Lock) .....	1
11	1363885	Terminal (Pin) .....	2
12	.....	Connector Assembly (RH Chassis Harness) .....	1
12	4047669	Connector .....	1
12	1514598	Connector .....	1
12	866401	Terminal .....	4
13	.....	Connector Assembly (Relay) .....	1
13	4030503	Connector .....	1
13	1330283	Terminal .....	4
13	1323581	Plug .....	1
13	4039364	Relay (With Diode) .....	1



**WIRE HARNESS (FIGURE 7-29)  
AIR CONDITIONER**

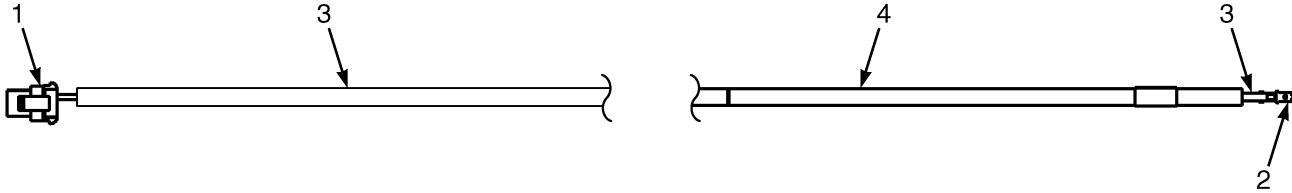


BP081676

**WIRE HARNESS  
AIR CONDITIONER**

ITEM	PART NO.	DESCRIPTION	QTY
	4609701	Wire Harness (Air Conditioning) .....	1
1	148606	E-Ring .....	2
2	.....	Connector Assembly (Compressor Clutch) .....	1
2	1330292	Connector .....	1
2	1330293	Cover (Fuse) .....	1
2	1330283	Terminal .....	2
2	1300134	Fuse (25 Amp) .....	1
3	1310142	Terminal Housing (Blue) .....	1
4	.....	Connector Assembly (CRP18S to CPS18) .....	1
4	1514597	Connector .....	1
4	1514598	Connector (Secondary Lock) .....	1
4	866401	Terminal .....	3
4	1330439	Plug .....	1
5	.....	Connector Assembly (To Condenser) .....	1
5	1480187	Connector .....	1
5	1480188	Connector (Secondary Lock) .....	1
5	866401	Terminal .....	2
6	.....	Connector Assembly (To RH Door Harness) .....	1
6	1514602	Connector .....	1
6	1514603	Connector (Secondary Lock) .....	1
6	1554359	Terminal .....	4
7	.....	Connector Assembly (To Condenser) .....	1
7	1330411	Connector .....	1
7	1330416	Connector .....	1
7	1330433	Terminal .....	1
7	1330435	Terminal .....	2
7	1330439	Plug .....	1
8	.....	Connector Assembly (CPS99S) .....	1
8	1461744	Connector Body .....	1
8	1327164	Seal .....	1
8	1375797	Terminal .....	4
8	1329147	Seal .....	4
8	1498483	Sealant .....	1
9	1461743	Relay .....	1
10	.....	Connector Assembly (Fuse Holder) .....	1
10	1330292	Connector .....	1
10	1330293	Cover (Fuse) .....	1
10	1330283	Terminal .....	2
10	370646	Fuse (5 Amp) .....	1

## WIRE HARNESS (FIGURE 7-30) AIR CONDITIONING JUMPER



BP081675

ITEM	PART NO.	DESCRIPTION	QTY
	4631126	Wire Harness (Jumper) .....	1
1	.....	Connector Assembly (To Compressor Clutch) .....	1
1	1329152	Plug (Connector) .....	1
1	1329151	Terminal (Secondary Lock) .....	1
1	1327164	Seal .....	1
1	1521989	Terminal .....	1
1	1329147	Seal .....	1
2	.....	Connector Assembly (To AC Harness) .....	1
2	129892	Terminal (Connector) .....	1
3	175944	Heat Shrink .....	AR
4	275493	Conduit .....	AR







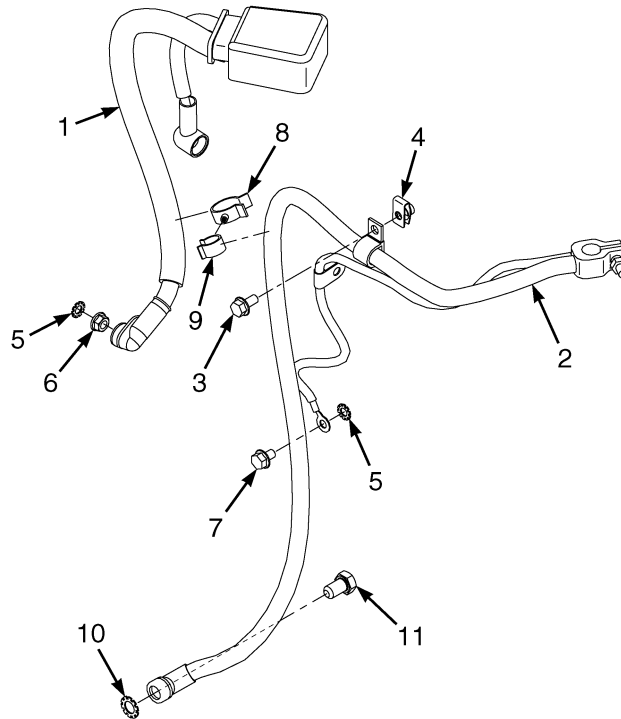
**SECTION 8  
ELECTRICAL SYSTEM-PSI**

---

<b>DESCRIPTION</b>	<b>PAGE</b>
BATTERY CABLES	
2.4L PSI LPG .....	8-2
ENGINE ELECTRICAL SYSTEM	
PSI LPG .....	8-4
WIRE HARNESS	
ENGINE - PSI 2.4L LPG .....	8-6

---

## BATTERY CABLES (FIGURE 8-1) 2.4L PSI LPG

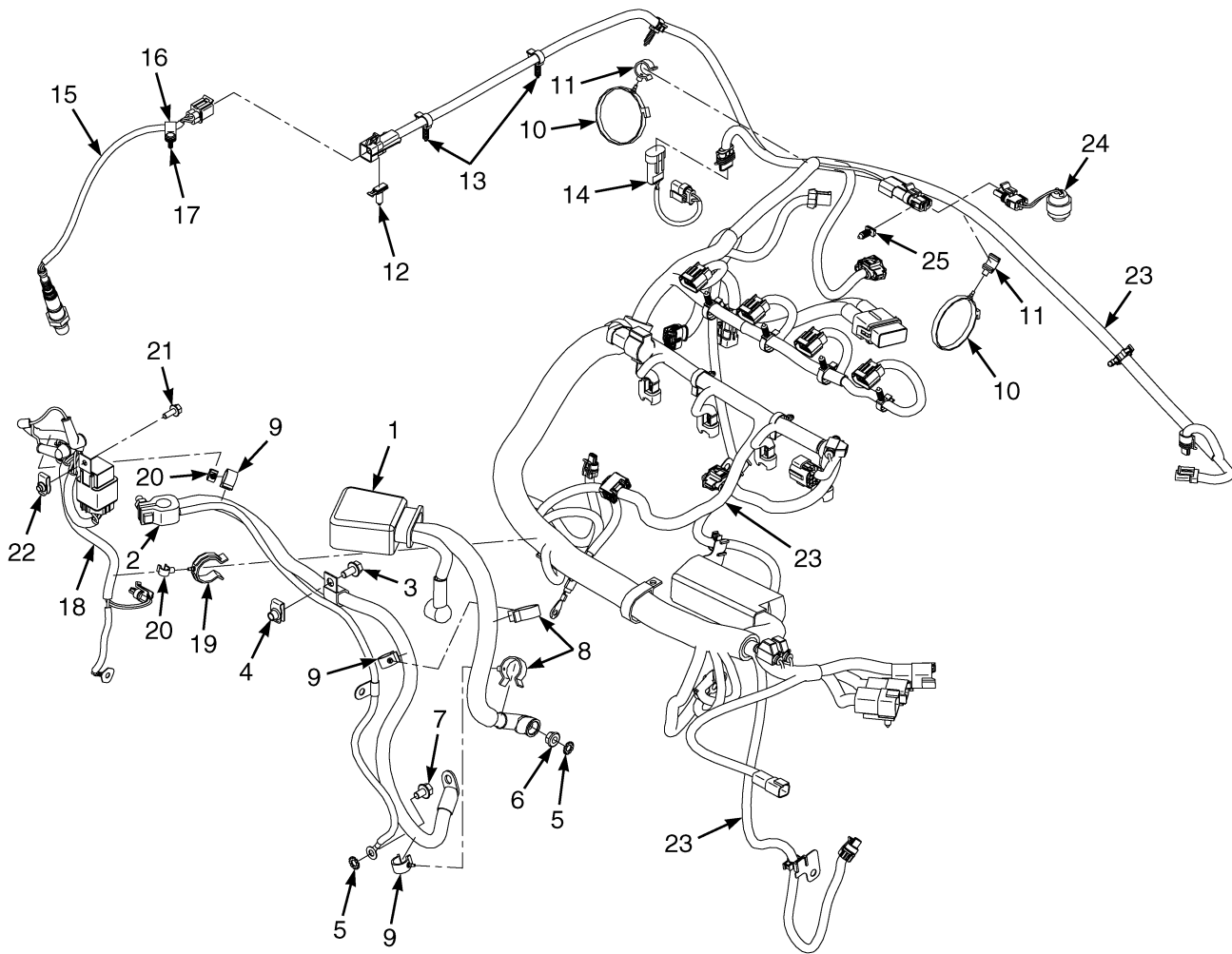


BP081843

ITEM	PART NO.	DESCRIPTION	QTY
1	2107181	Battery Cable (Positive) .....	1
1	1357268	Battery Cable (Red) .....	AR
1	1357535	Wire (Bulk) .....	AR
1	148795	Terminal .....	1
1	16079	Terminal .....	1
1	806426	E-Ring .....	1
1	204223	Boot .....	2
1	1566146	Boot .....	1
2	2069225	Battery Cable (Negative) .....	1
2	16078	Battery Cable .....	AR
2	1357533	Wire-Bulk .....	AR
2	148789	Terminal .....	1
2	1564044	E-Ring .....	1
2	128408	Clamp .....	1
2	806426	E-Ring .....	1
3	4109993		
	1527879	Capscrew .....	1
4	1480237	Nut .....	1
5	296380	Washer .....	2
6	1502543	Nut (Flange) .....	1
7	1529366	Capscrew .....	1
8	1542436	Clamp (Swivel) .....	2
9	1543698	Clamp (Swivel) .....	2
10	296382	Washer .....	1
11	4034828	Capscrew .....	1



## ENGINE ELECTRICAL SYSTEM (FIGURE 8-2) PSI LPG

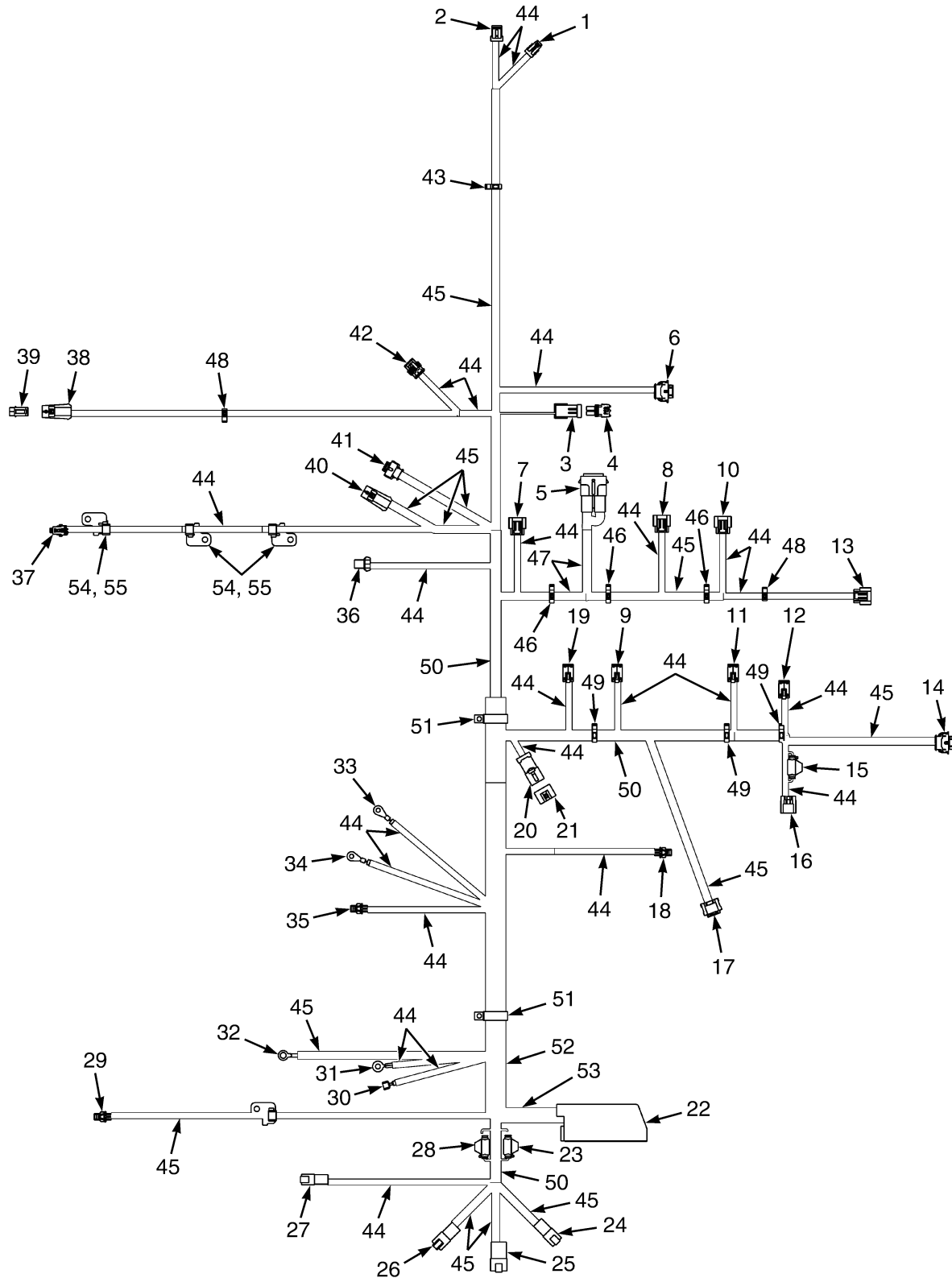


BP081867

**ENGINE ELECTRICAL SYSTEM  
PSI LPG**

ITEM	PART NO.	DESCRIPTION	QTY
1	2107181	Battery Cable (Positive) .....	1
1	1357268	Battery Cable (Red) .....	AR
1	1357535	Wire (Bulk) .....	AR
1	148795	Terminal .....	1
1	16079	Terminal .....	1
1	806426	E-Ring .....	1
1	204223	Boot .....	2
1	1566146	Boot .....	1
2	2069225	Battery Cable (Negative) .....	1
2	16078	Battery Cable .....	AR
2	1357533	Wire-Bulk .....	AR
2	148789	Terminal .....	1
2	1564044	E-Ring .....	1
2	128408	Clamp .....	1
2	806426	E-Ring .....	1
3	4109993		
	1527879	Capscrew .....	1
4	1480237	Nut .....	1
5	296380	Washer .....	2
6	1502543	Nut (Flange) .....	1
7	1529366	Capscrew .....	1
8	1542436	Clamp (Swivel) .....	2
9	1543698	Clamp (Swivel) .....	3
10	1502061	Clamp .....	2
11	1542439	Clamp (Swivel) .....	1
12	1520513	Clip .....	1
13	1509888	Clip .....	2
14	4602843	Wire Harness (Adapter) .....	1
15	1646456	Sensor (Oxygen) .....	1
16	4041292	Clip .....	1
17	1582464	Fastener .....	1
18	4628652	Wire Harness (Alternator) .....	1
19	1561759	Clamp (Swivel) .....	1
20	1561871	Clamp (Swivel) .....	2
21	1527876	Capscrew .....	1
22	1566420	Nut (Foldover) .....	1
23	4628749	Wire Harness (Engine) (LPG) (☞ Figure 8-3).....	1
24	1529257	Sensor (Air Flow Restriction) .....	1
25	1567333	Clip .....	1

## WIRE HARNESS (FIGURE 8-3) ENGINE — PSI 2.4L LPG



BP081802



**WIRE HARNESS  
ENGINE – PSI 2.4L LPG**

ITEM	PART NO.	DESCRIPTION	QTY
	4628749	Wire Harness (Engine) (LPG) .....	1
1	.....	Connector Assembly (Fuel Level) .....	1
1	1476077	Connector .....	1
1	1323576	Terminal .....	2
2	.....	Connector Assembly (Fuel Pump) .....	1
2	1519611	Connector .....	1
2	1323576	Terminal .....	2
3	.....	Connector Assembly (Air Filter Restriction) .....	1
3	1465469	Connector .....	1
3	1323578	Terminal .....	2
3	1402888	Seal (Purple) .....	2
4	.....	Connector Assembly (End Cap) .....	1
4	1465468	Connector .....	1
4	1327164	Seal .....	2
5	4092210	Fuse Holder .....	1
5	4043316	Fuse (70 Amp) .....	1
5	1454862	Cover (With Seal) .....	1
5	1520543	Terminal .....	2
5	1454827	Seal .....	2
6	.....	Connector Assembly (Fuel Pressure Manifold) .....	1
6	1567469	Plug .....	1
6	4053417	Terminal .....	4
6	1567470	Wire Seal .....	4
7	.....	Connector Assembly (Cylinder #1) .....	1
7	4612989	Connector .....	1
7	4612978	Terminal .....	3
7	4614516	Wire Seal .....	3
8	.....	Connector Assembly (Cylinder #2) .....	1
8	4612989	Connector .....	1
8	4612978	Terminal .....	3
8	4614516	Wire Seal .....	3
9	<b>a</b> .....	Connector Assembly (Cylinder Injector #2) .....	1
9	4063897	Bracket .....	1
9	4073259	Connector Lock (Secondary) .....	1
9	1402919	Terminal .....	2
9	1503648	Connector Seal .....	2
10	.....	Connector Assembly (Cylinder #3) .....	1
10	4612989	Connector .....	1
10	4612978	Terminal .....	3
10	4614516	Wire Seal .....	3
11	<b>a</b> .....	Connector Assembly (Cylinder Injector #3) .....	1
11	4063797	Connector .....	1
11	4073259	Connector Lock (Secondary) .....	1
11	1402919	Terminal .....	2
11	1503648	Connector Seal .....	2
12	<b>a</b> .....	Connector Assembly (Cylinder Injector #4) .....	1
12	4063797	Connector .....	1
12	4073259	Connector Lock (Secondary) .....	1
12	1402919	Terminal .....	2
12	1503648	Connector Seal .....	2

## WIRE HARNESS ENGINE – PSI 2.4L LPG

ITEM	PART NO.	DESCRIPTION	QTY
13	.....	Connector Assembly (Cylinder #4) .....	1
13	4612989	Connector .....	1
13	4612978	Terminal .....	3
13	4614516	Wire Seal .....	3
14	.....	Connector Assembly (TMAP) .....	1
14	1567469	Plug .....	1
14	4053417	Terminal .....	4
14	1567470	Wire Seal .....	4
15	.....	Connector Assembly (DEPR 5 Amp) .....	1
15	1498044	Fuse (5 Amp) .....	1
15	1602431	Fuse Holder .....	1
16	.....	Connector Assembly (DEPR) .....	1
16	4612836	Connector .....	1
16	2314741	Terminal .....	6
16	2061333	Wire Seal .....	6
16	4612844	Connector Lock (Secondary) .....	1
17	.....	Connector Assembly (Throttle) .....	1
17	1569973	Connector Body .....	1
17	1525596	Terminal .....	6
17	1533810	Seal (Green) .....	6
18	.....	Connector Assembly (ECT) .....	1
18	4062635	Connector .....	1
18	4073293	Connector Lock (Secondary) .....	1
18	1548517	Terminal (Socket) .....	2
18	1548519	Seal .....	2
19	<b>a</b> .....	Connector Assembly (Cylinder Injector #1) .....	1
19	4063797	Connector .....	1
19	4073259	Connector Lock (Secondary) .....	1
19	1503648	Connector Seal .....	2
19	1402919	Terminal .....	2
20	.....	Connector Assembly (Diagnostic) .....	1
20	.....	Connector .....	1
20	4073259	Connector Lock (Secondary) .....	1
20	1402919	Terminal .....	8
20	1503648	Connector Seal .....	8
21	.....	Connector Assembly (End Cap) .....	1
21	1641947	Cap .....	1
22	.....	Connector Assembly (ECM) .....	1
22	1641949	Connector .....	1
22	1607549	Terminal .....	42
22	4023295	Terminal .....	6
22	4025685	Plug .....	42
23	.....	Connector Assembly (VSW 5 Amp) .....	1
23	1498044	Fuse (5 Amp) .....	2
23	1602431	Fuse Holder .....	1
24	.....	Connector Assembly (To RH Chassis Harness) .....	1
24	1541988	Connector (8 Pin) .....	1
24	1541989	Connector (Secondary) .....	1
24	1463138	Terminal Pin .....	8
25	.....	Connector Assembly (To RH Chassis Harness) .....	1

**WIRE HARNESS  
ENGINE – PSI 2.4L LPG**

ITEM	PART NO.	DESCRIPTION	QTY
25	4047669	Connector .....	1
25	1514598	Connector (Secondary) .....	1
25	1484709	Terminal (Pin) .....	4
26	.....	Connector Assembly (To RH Chassis Harness) .....	1
26	1623050	Housing (Connector) .....	1
26	1330418	Connector (Secondary) .....	1
26	1330437	Terminal (Pin) .....	7
26	1484377	Plug .....	1
27	a.....	Connector Assembly (Fuel Select) .....	1
27	1493465	Connector (2 Pin) .....	1
27	1330414	Connector (Secondary Lock) .....	1
27	1330437	Terminal (Pin) .....	1
28	.....	Connector Assembly (Fuel Pump, 10 Amp) .....	1
28	1498046	Fuse (10 Amp) .....	1
28	1602431	Fuse Holder .....	1
29	.....	Connector Assembly (Crank Sensor) .....	1
29	4062635	Connector .....	1
29	4073293	Connector Lock (Secondary) .....	1
29	1548517	Terminal (Socket) .....	2
29	1548519	Seal .....	2
30	.....	Connector Assembly (Starter) .....	1
30	1521309	Connector Body .....	1
30	190383	Boot .....	1
31	1663276	Electrical Connector (Starter B+) .....	1
32	806427	E-Ring (Ground) .....	1
33	4062637	Terminal (Alternator, Positive) .....	1
34	4062637	Terminal (Alternator, Negative) .....	1
35	.....	Connector Assembly (Alternator) .....	1
35	4062635	Connector .....	1
35	4073293	Connector Lock (Secondary) .....	1
35	1548517	Terminal (Socket) .....	2
35	1548519	Seal .....	2
36	.....	Connector Assembly (Lock-Off) .....	1
36	1539872	Connector .....	1
36	1330355	Terminal .....	2
36	1476108	Wire Seal (White) .....	2
37	.....	Connector Assembly (Oil Pressure) .....	1
37	1603021	Connector .....	1
37	1603236	Connector (Secondary Lock) .....	1
37	1548517	Terminal (Socket) .....	3
37	1548519	Seal .....	3
38	.....	Connector Assembly (EG02) .....	1
38	1498424	Housing (Connector) .....	1
38	1650797	Lock (Secondary) .....	1
38	1330355	Terminal .....	4
38	1476108	Wire Seal (White) .....	4
39	.....	Connector Assembly (End Cap) .....	1
39	1483329	Connector Body .....	1
39	1487441	Housing (Secondary Lock) .....	1
39	1482668	Plug (Cavity Plug) .....	4

## WIRE HARNESS ENGINE – PSI 2.4L LPG

ITEM	PART NO.	DESCRIPTION	QTY
40	.....	Connector Assembly (EG01) .....	1
40	1498424	Housing .....	1
40	1650797	Lock (Secondary) .....	1
40	1330355	Terminal .....	4
40	1476108	Wire Seal (White) .....	4
41	.....	Connector Assembly (Cam Sensor) .....	1
41	4062712	Connector .....	1
41	4053417	Terminal .....	3
41	1567470	Wire Seal .....	3
42	.....	Connector Assembly (LPG Sensor Switch) .....	1
42	4062712	Connector .....	1
42	4053417	Terminal .....	3
42	1567470	Wire Seal .....	3
43	1500901	Clip .....	1
44	275493	Conduit .....	AR
45	275494	Conduit .....	AR
46	1509890	Clip .....	3
47	275495	Conduit .....	AR
48	1509888	Clip .....	2
49	1402815	Clip .....	3
50	275496	Conduit .....	AR
51	147006	Clamp .....	2
52	275499	Conduit .....	AR
53	275498	Conduit .....	AR
54	1532774	Clip .....	4
55	1532761	Clip .....	4

**FOOTNOTES:**

- a Dual Fuel Option Not Available

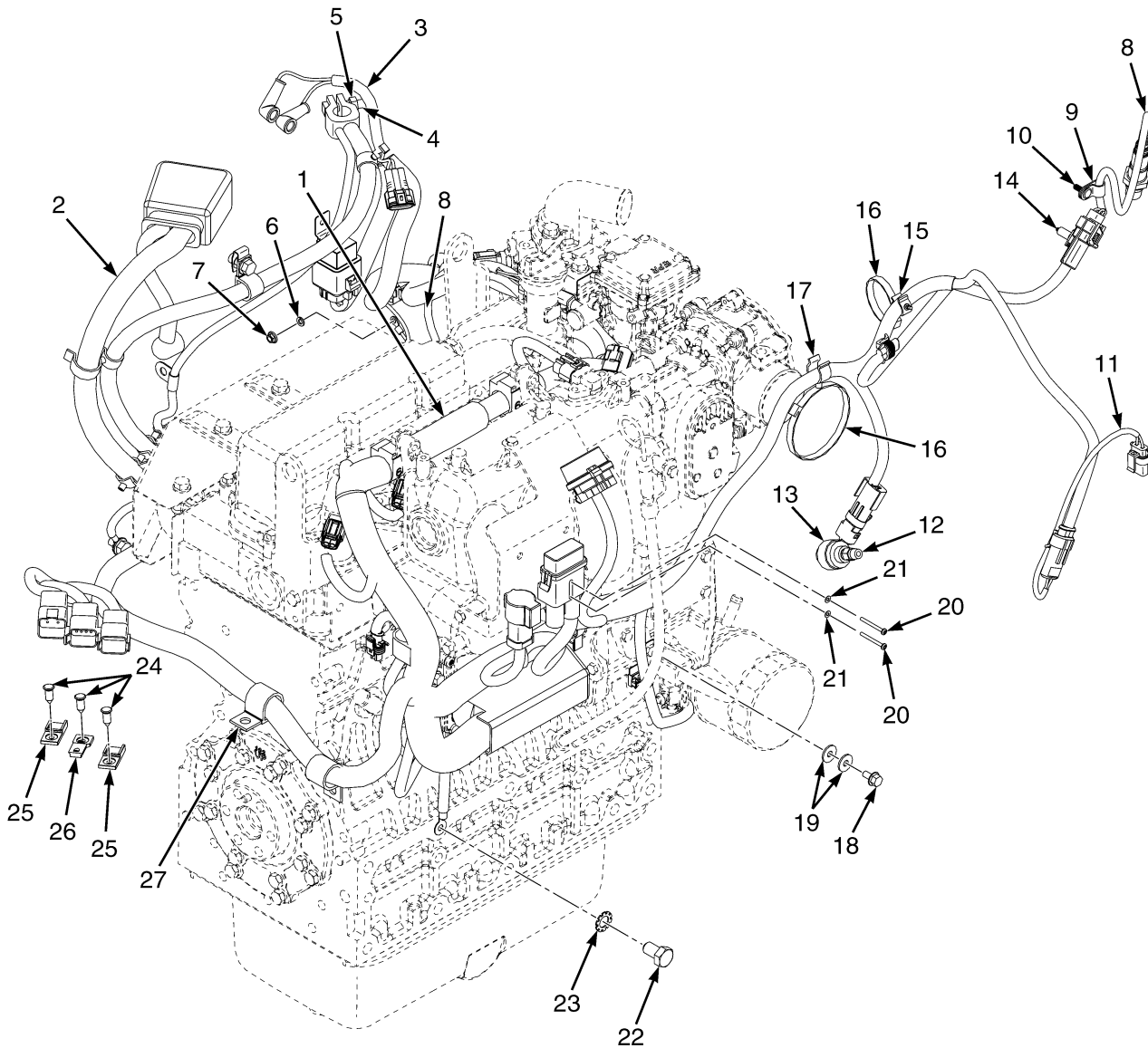




**SECTION 9  
ELECTRICAL SYSTEM-KUBOTA**

<b>DESCRIPTION</b>	<b>PAGE</b>
BATTERY CABLES	
2.5L KUBOTA LPG .....	9-6
ENGINE ELECTRICAL SYSTEM	
2.5L KUBOTA LPG - SINGLE SPEED TRANSMISSION .....	9-2
2.5L KUBOTA LPG - DUAL SPEED TRANSMISSION .....	9-4
WIRE HARNESS	
ALTERNATOR TO BATTERY DISCONNECT SWITCH - KUBOTA 2.5L .....	9-12
WIRE HARNESS (ENGINE)	
KUBOTA 2.5L LPG .....	9-8

## ENGINE ELECTRICAL SYSTEM (FIGURE 9-1) 2.5L KUBOTA LPG — SINGLE SPEED TRANSMISSION



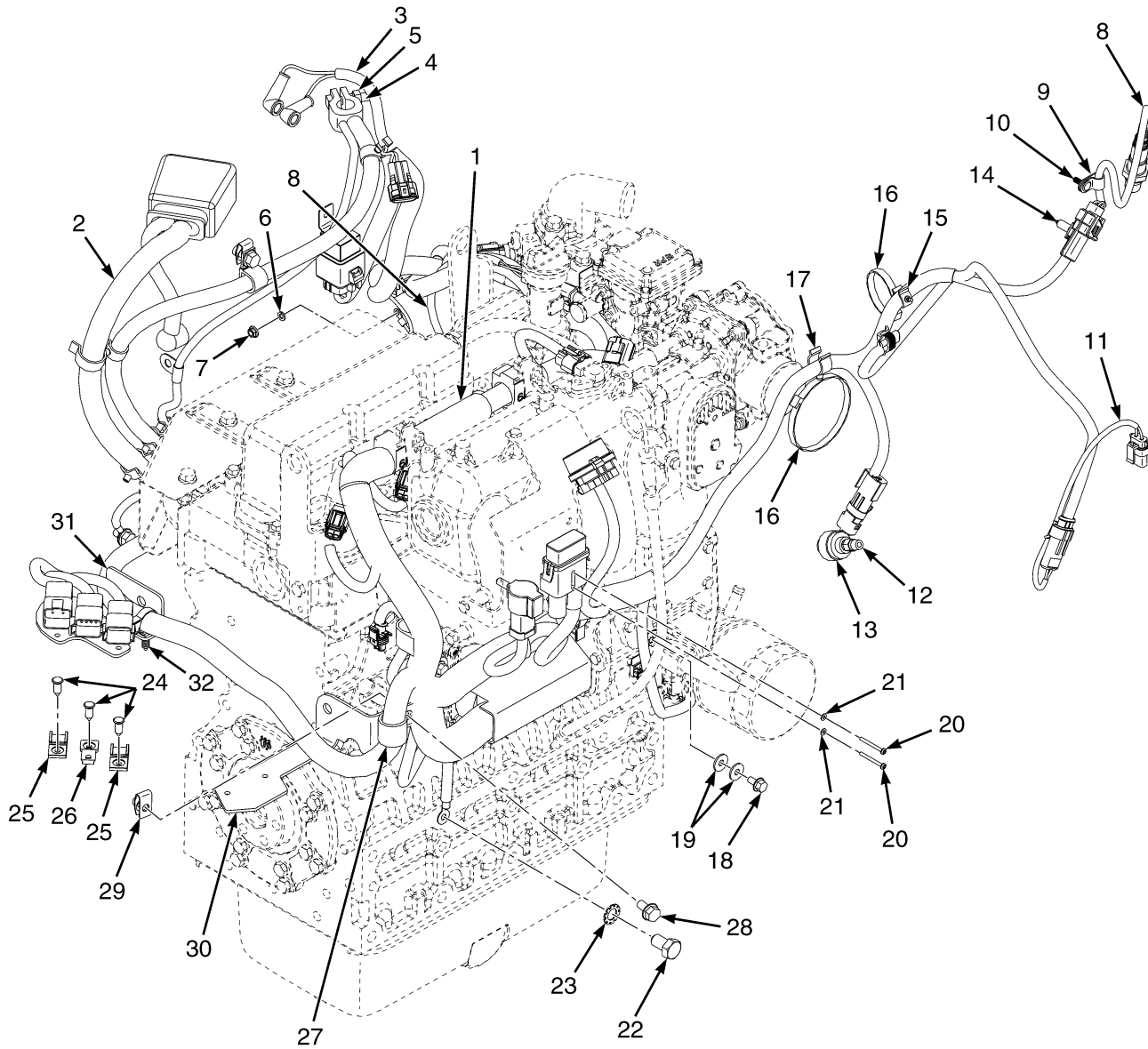
BP081838



**ENGINE ELECTRICAL SYSTEM  
2.5L KUBOTA LPG – SINGLE SPEED TRANSMISSION**

ITEM	PART NO.	DESCRIPTION	QTY
1	4629050	Wire Harness (Engine) (LPG) (☞Figure 9-4).....	1
2	.....	Battery Cables (☞Figure 9-3).....	..
3	4629051	Wire Harness (Alternator) (☞Figure 9-5).....	1
4	1561871	Clamp (Swivel) .....	1
5	1543698	Clamp (Swivel) .....	1
6	292679	Washer .....	1
7	1565407	Nut .....	1
8	4104893	Sensor (O2) .....	2
9	4041292	Clip .....	1
10	1582464	Fastener .....	1
11	4602843	Wire Harness (Adapter) (☞Figure 7-23).....	1
12	16150	Fitting .....	1
13	1529257	Sensor (Air Flow Restriction) .....	1
14	1520513	Clip .....	1
15	1542439	Clamp (Swivel) .....	1
16	1502061	Clamp .....	2
17	1502059	Clamp (Swivel) .....	1
18	1534417	Capscrew .....	1
19	1476421	Washer .....	2
20	302015	Screw .....	2
21	320152	Washer .....	2
22	4034828	Capscrew .....	1
23	296382	Washer .....	1
24	1582464	Fastener .....	3
25	1500912	Clip .....	2
26	1531480	Clip .....	1
27	153069	Clamp .....	2

## ENGINE ELECTRICAL SYSTEM (FIGURE 9-2) 2.5L KUBOTA LPG — DUAL SPEED TRANSMISSION

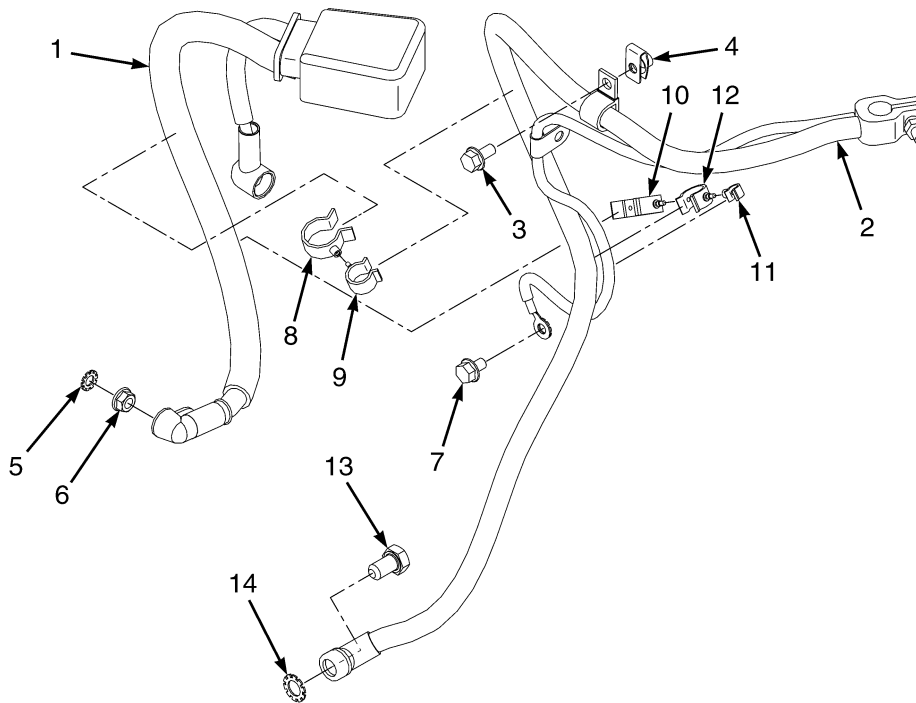


BP081839

**ENGINE ELECTRICAL SYSTEM  
2.5L KUBOTA LPG – DUAL SPEED TRANSMISSION**

ITEM	PART NO.	DESCRIPTION	QTY
1	4629050	Wire Harness (Engine) (LPG) (☞Figure 9-4).....	1
2	.....	Battery Cables (☞Figure 9-3).....	..
3	4629051	Wire Harness (Alternator) (☞Figure 9-5).....	1
4	1561871	Clamp (Swivel) .....	1
5	1543698	Clamp (Swivel) .....	1
6	292679	Washer .....	1
7	1565407	Nut .....	1
8	4104893	Sensor (O2) .....	2
9	4041292	Clip .....	1
10	1582464	Fastener .....	1
11	4602843	Wire Harness (Adapter) (☞Figure 7-23).....	1
12	16150	Fitting .....	1
13	1529257	Sensor (Air Flow Restriction) .....	1
14	1520513	Clip .....	1
15	1542439	Clamp (Swivel) .....	1
16	1502061	Clamp .....	2
17	1502059	Clamp (Swivel) .....	1
18	1534417	Capscrew .....	1
19	1476421	Washer .....	2
20	302015	Screw .....	2
21	320152	Washer .....	2
22	4034828	Capscrew .....	1
23	296382	Washer .....	1
24	1582464	Fastener .....	3
25	1500912	Clip .....	2
26	1531480	Clip .....	1
27	153069	Clamp .....	1
28	4109993		
	1527879	Capscrew .....	1
29	1480237	Nut .....	1
30	4078617	Bracket .....	1
31	4078834	Bracket .....	1
32	1608857	Clip .....	1

## BATTERY CABLES (FIGURE 9-3) 2.5L KUBOTA LPG



BP081835

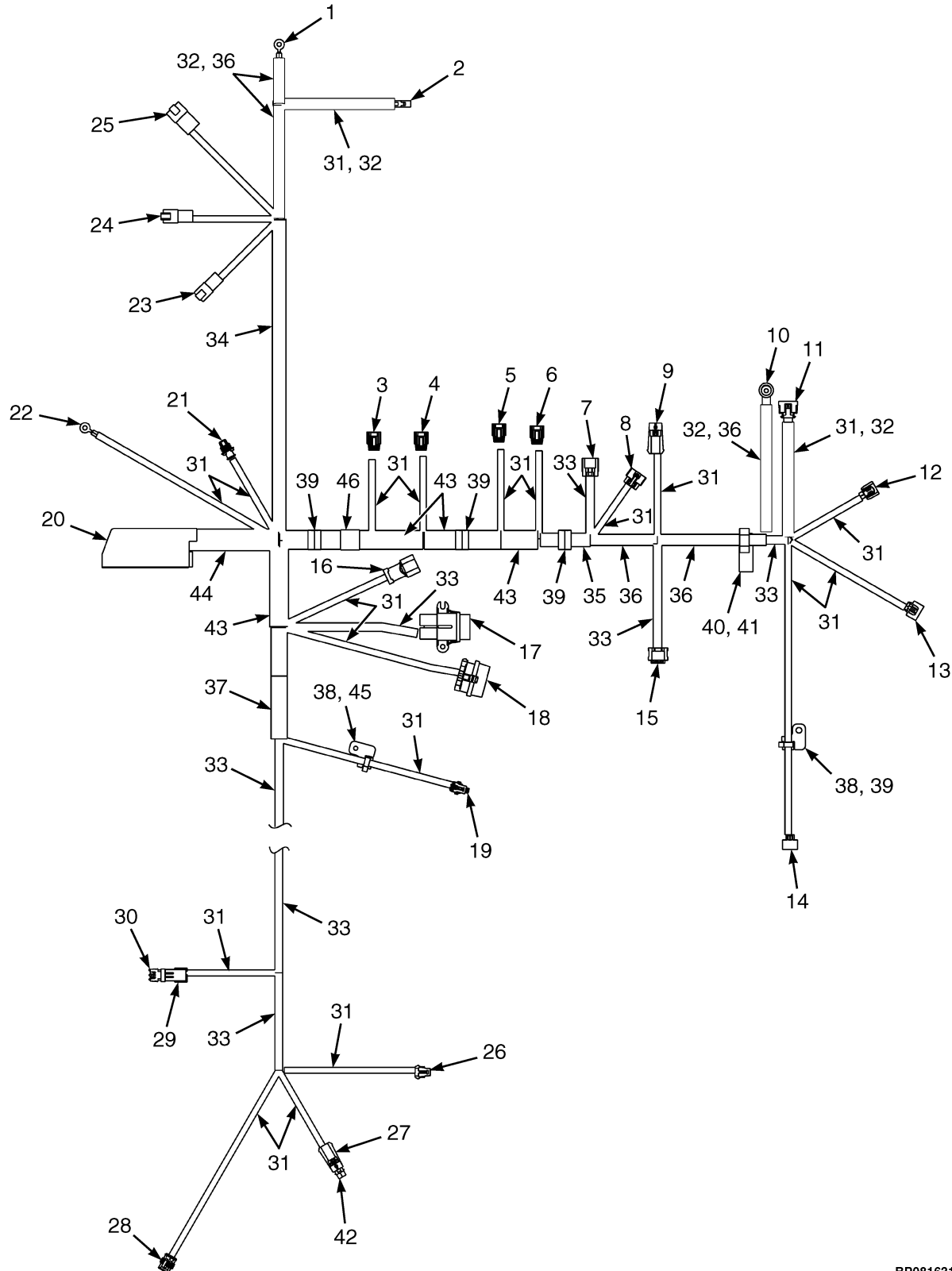
ITEM	PART NO.	DESCRIPTION	QTY
1	4634489	Battery Cable (Positive) .....	1
1	1357268	Battery Cable (Red) .....	AR
1	148792	Terminal .....	1
1	16079	Terminal .....	1
1	806426	E-Ring .....	1
1	1536304	Boot .....	1
1	204223	Boot .....	1
1	1566146	Boot .....	1
2	4628917	Battery Cable (Negative) .....	1
2	16078	Battery Cable .....	1
2	148789	Terminal .....	1
2	4078946	Terminal .....	1
2	1564044	E-Ring .....	1
2	166285	Clamp .....	1
2	806426	E-Ring .....	1
3	4109993		
	1527879	Capscrew .....	1
4	1480237	Nut .....	1
5	296380	Washer .....	2
6	1502543	Nut (Flange) .....	1
7	1529366	Capscrew .....	1
8	1542436	Clamp (Swivel) .....	1
9	1543698	Clamp (Swivel) .....	1
10	4078947	Clamp .....	1
11	1542440	Clamp (Swivel) .....	1
12	1543691	Clamp (Swivel) .....	1

---

ITEM	PART NO.	DESCRIPTION	QTY
13	296382	Washer .....	1
14	4034828	Capscrew .....	1

---

**WIRE HARNESS (ENGINE) (FIGURE 9-4)  
KUBOTA 2.5L LPG**



BP081631

**WIRE HARNESS (ENGINE)  
KUBOTA 2.5L LPG**

ITEM	PART NO.	DESCRIPTION	QTY
	4629050	Wire Harness (Engine) (2.5L LPG) .....	1
1	148614	E-Ring (Starter B+) .....	1
2	.....	Connector Assembly (Starter Solenoid) .....	1
2	1324311	Terminal .....	1
3	.....	Connector Assembly (Coil-Cylinder #4) .....	1
3	4612988	Connector .....	1
3	4612978	Terminal .....	2
3	4614516	Wire Seal .....	2
4	.....	Connector Assembly (Coil-Cylinder #3) .....	1
4	4612988	Connector .....	1
4	4612978	Terminal .....	2
4	4614516	Wire Seal .....	2
5	.....	Connector Assembly (Coil-Cylinder #2) .....	1
5	4612988	Connector .....	1
5	4612978	Terminal .....	2
5	4614516	Wire Seal .....	2
6	.....	Connector Assembly (Coil-Cylinder #1) .....	1
6	4612988	Connector .....	1
6	4612978	Terminal .....	2
6	4614516	Wire Seal .....	2
7	.....	Connector Assembly (DEPR) .....	1
7	4612836	Connector .....	1
7	2070512	Plug .....	1
7	2314741	Terminal .....	5
7	2061333	Wire Seal .....	5
8	.....	Connector Assembly (TMAP) .....	1
8	4074909	Connector .....	1
9	.....	Connector Assembly (HT O2 Sensor) .....	1
9	1498424	Housing .....	1
9	1650797	Lock (Secondary) .....	1
9	1330355	Terminal .....	4
9	1476108	Wire Seal (White) .....	4
10	.....	Connector Assembly (Alternator B+) .....	1
10	148614	E-Ring .....	1
10	1520864	Boot .....	1
11	.....	Connector Assembly (Alternator Conn.) .....	1
11	4614847	Connector .....	1
11	4613008	Terminal .....	2
11	4613009	Plug .....	1
11	4614848	Wire Seal .....	2
12	.....	Connector Assembly (ENG CLT Sensor) .....	1
12	4028633	Connector .....	1
12	2314741	Terminal .....	2
12	2061333	Wire Seal .....	2
13	.....	Connector Assembly (Cam Sensor) .....	1
13	4043880	Connector .....	1
13	1476598	Terminal .....	2
13	1476599	Seal .....	2
14	.....	Connector Assembly (Crank Sensor) .....	1
14	4074625	Connector .....	1

## WIRE HARNESS (ENGINE) KUBOTA 2.5L LPG

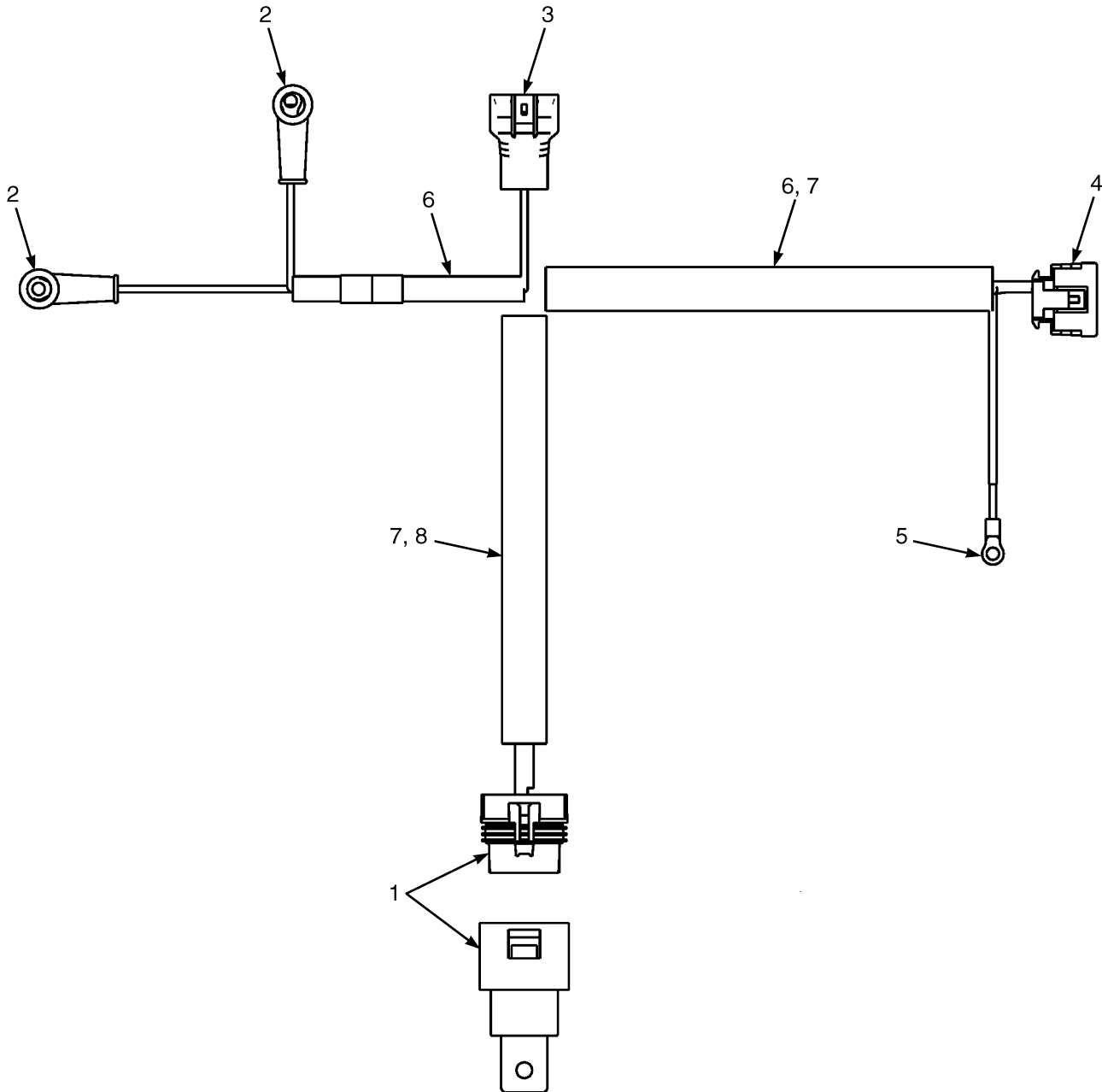
ITEM	PART NO.	DESCRIPTION	QTY
14	4613138	Terminal .....	1
14	2314782	Wire Seal .....	2
15	.....	Connector Assembly (Bosch Throttle) .....	1
15	1569973	Connector Body .....	1
15	1525596	Terminal .....	6
15	1533810	Seal (Green) .....	6
16	.....	Connector Assembly (Diagnostic) .....	1
16	1641944	Connector .....	1
16	1641945	Spacer .....	1
16	1641947	Cap .....	1
17	.....	Connector Assembly (Alt 70 Amp Fuse) .....	1
17	1543553	Fuse Holder .....	1
17	1520543	Terminal .....	2
17	1454827	Seal .....	2
18	.....	Connector Assembly (Fuse Holder) .....	1
18	1327959	Connector .....	1
18	1330297	Lock (Secondary) .....	1
18	1330281	Terminal .....	4
18	1327164	Seal .....	2
18	1402888	Seal (Purple) .....	1
18	1323579	Seal .....	3
19	.....	Connector Assembly (Oil Pressure) .....	1
19	1603021	Connector .....	1
19	1548517	Terminal (Socket) .....	3
19	1548519	Seal .....	3
20	.....	Connector Assembly (ECM) .....	1
20	1641949	Connector .....	1
20	1607549	Terminal .....	33
20	4025685	Plug .....	52
20	4023295	Terminal .....	4
21	.....	Connector Assembly (Knock Sensor) .....	1
21	4074907	Connector .....	1
21	1402814	Terminal .....	2
21	1562649	Seal .....	2
22	.....	Connector Assembly (Ground) .....	1
23	.....	Connector Assembly (To RH Chassis Harness) .....	1
23	1514597	Connector .....	1
23	1514598	Connector (Secondary) .....	1
23	1484709	Terminal (Pin) .....	1
23	866401	Terminal .....	2
23	1330439	Plug .....	1
24	.....	Connector Assembly (To RH Chassis Harness) .....	1
24	1330413	Connector (8 Pin) .....	1
24	1330418	Connector .....	1
24	1330437	Terminal (Pin) .....	6
24	1330439	Plug .....	2
25	.....	Connector Assembly (To RH Chassis Harness) .....	1
25	1330413	Connector (8 Pin) .....	1
25	1330418	Connector .....	1
25	1330437	Terminal (Pin) .....	6



**WIRE HARNESS (ENGINE)  
KUBOTA 2.5L LPG**

ITEM	PART NO.	DESCRIPTION	QTY
25	1330439	Plug .....	2
26	.....	Connector Assembly (Lock-Off) .....	1
26	1539872	Connector .....	1
26	1330355	Terminal .....	2
26	1476108	Wire Seal (White) .....	2
27	.....	Connector Assembly (HT 02 Sensor 2) .....	1
27	1498424	Housing .....	1
27	1650797	Lock (Secondary) .....	1
27	1330355	Terminal .....	4
27	1476108	Wire Seal (White) .....	4
28	.....	Connector Assembly (LPG Low Pressure) .....	1
28	1547629	Connector (3 Way) .....	1
28	1508232	Terminal (Pin) .....	3
28	2060555	Wire Seal (Yellow) .....	3
29	.....	Connector Assembly (Air Filter RES IND) .....	1
29	1465469	Connector .....	1
29	1323578	Terminal .....	2
29	1402888	Seal (Purple) .....	2
30	.....	Connector Assembly (End Cap) .....	1
30	1465468	Connector .....	1
30	1327164	Seal .....	2
31	275493	Conduit .....	AR
32	.....	Sleeve .....	AR
33	275494	Conduit .....	AR
34	275497	Conduit .....	AR
35	275495	Conduit .....	AR
36	275496	Conduit .....	AR
37	275498	Conduit .....	AR
38	1532774	Clip .....	2
39	4027764	Clamp .....	3
40	1532776	Clip .....	2
41	1532762	Clip .....	1
42	1483329	Connector Body .....	1
43	1540388	Conduit .....	AR
44	275499	Conduit .....	AR
45	1558227	Clip .....	1

## WIRE HARNESS (FIGURE 9-5) ALTERNATOR TO BATTERY DISCONNECT SWITCH — KUBOTA 2.5L



BP081703

**WIRE HARNESS**  
**ALTERNATOR TO BATTERY DISCONNECT SWITCH – KUBOTA 2.5L**

ITEM	PART NO.	DESCRIPTION	QTY
	4629051	Wire Harness (Disconnect) .....	1
1	.....	Connector Assembly (Disconnect Switch Relay) .....	1
1	4030503	Connector .....	1
1	1330283	Terminal .....	5
1	4039364	Relay (With Diode) .....	1
2	.....	Connector Assembly (Disconnect Switch) .....	2
2	4051383	Terminal .....	1
2	190383	Boot .....	1
3	.....	Connector Assembly (Engine Harness) .....	1
3	4614828	Connector (3 Pin) .....	1
3	4614811	Terminal .....	2
3	4613009	Plug .....	1
3	4614848	Wire Seal .....	1
4	.....	Connector Assembly (Alternator) .....	1
4	4614847	Connector .....	1
4	4614813	Terminal .....	2
4	4613009	Plug .....	1
4	4614848	Wire Seal .....	2
5	4051383	Terminal (Alternator Ground) .....	1
6	275493	Conduit .....	AR
7	.....	Sleeve .....	AR
8	275494	Conduit .....	AR







---

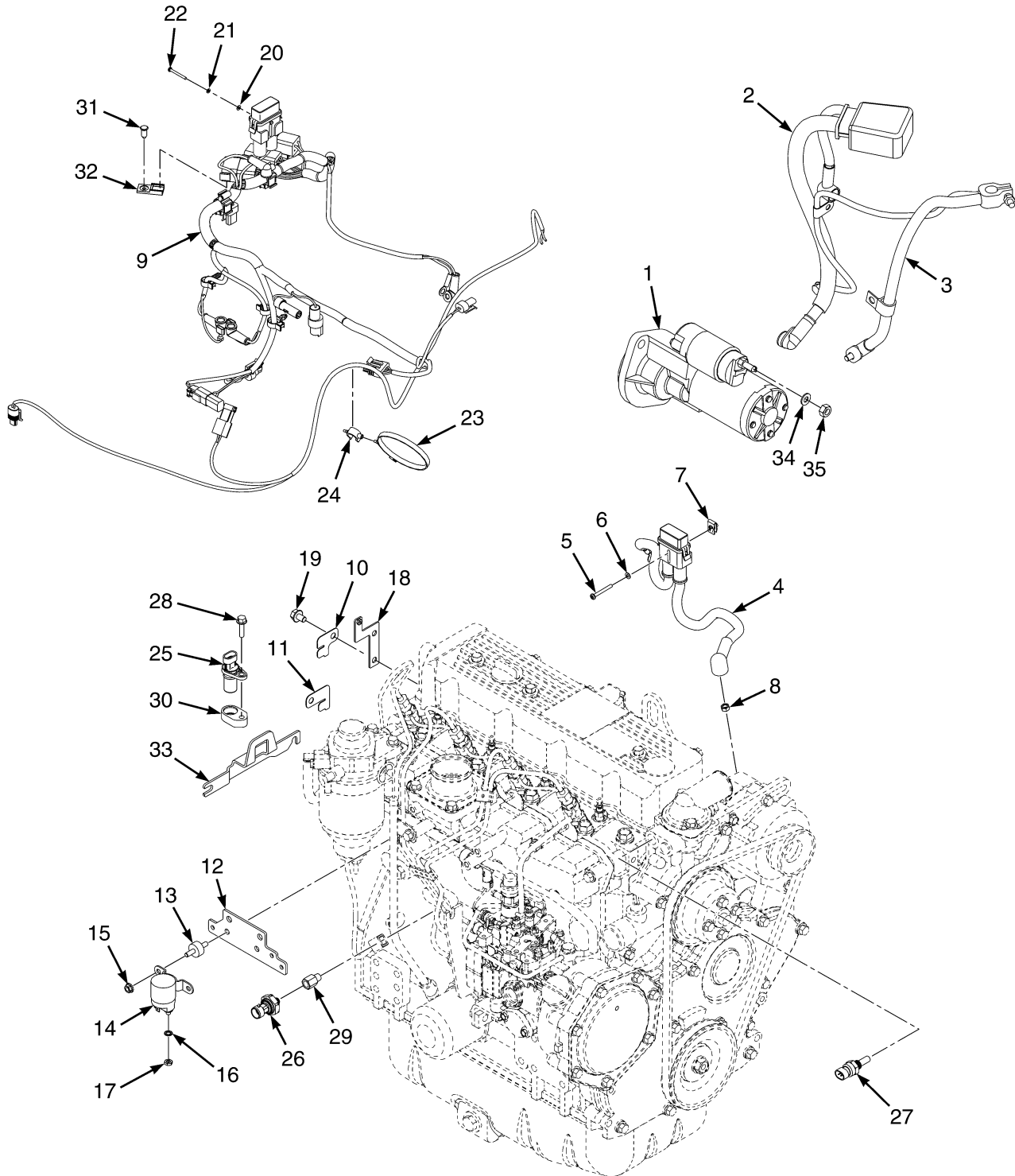
**SECTION 10**  
**ELECTRICAL SYSTEM-YANMAR**

---

<b>DESCRIPTION</b>	<b>PAGE</b>
ALTERNATOR AND MOUNTING	
YANMAR 2.6L, 3.0L AND 3.3L - DIESEL .....	10-5
ENGINE ELECTRICAL SYSTEM	
YANMAR DIESEL .....	10-2
SEALED ALTERNATOR AND MOUNTING	
YANMAR 2.6 AND 3.3L .....	10-10
WIRE HARNESS	
ALTERNATOR - DIESEL .....	10-12
ENGINE - YANMAR 2.6L , 3.0L AND 3.3L, DIESEL .....	10-6
SEALED ALTERNATOR - YANMAR 2.6L AND 3.3L, DIESEL .....	10-14

---

## ENGINE ELECTRICAL SYSTEM (FIGURE 10-1) YANMAR DIESEL



HP081653



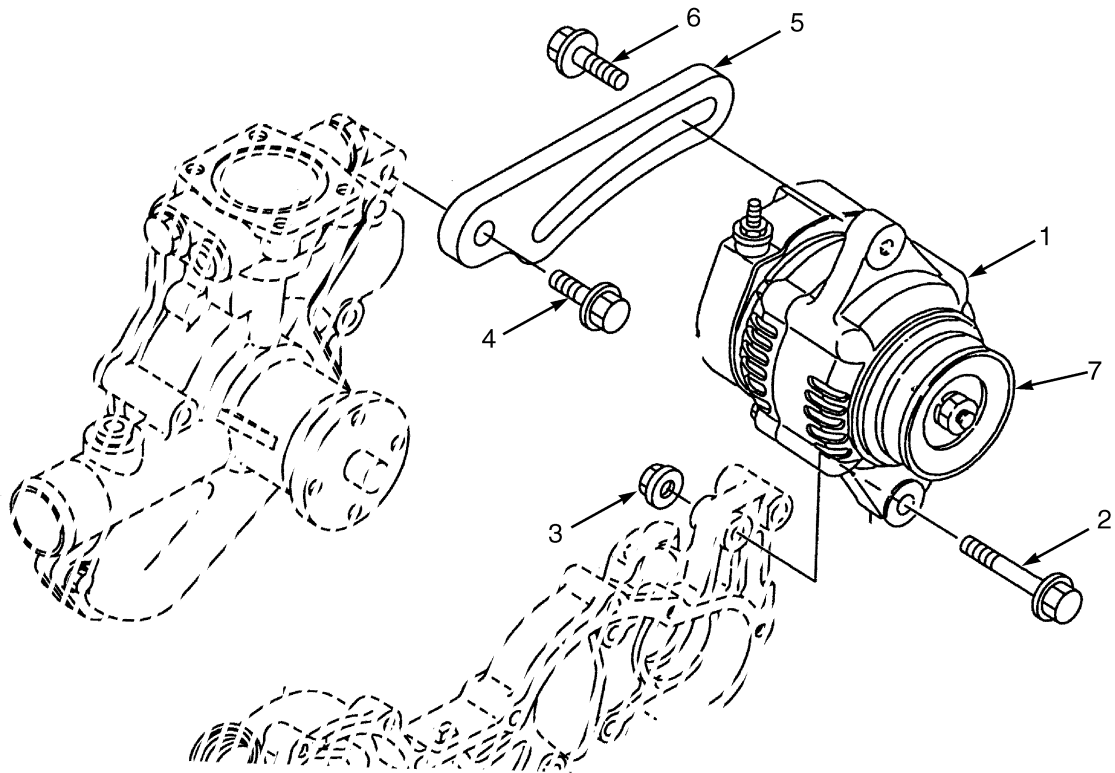
**ENGINE ELECTRICAL SYSTEM  
YANMAR DIESEL**

ITEM	PART NO.	DESCRIPTION	QTY
1	1599845	Starter Assembly .....	1
1	.....	Armature Assembly .....	1
1	1599847	Ball Bearing .....	1
1	1599848	Ball Bearing .....	1
1	.....	Coil Assembly .....	1
1	1599850	Screw .....	1
1	1599851	Brush .....	2
1	.....	Holder Assembly .....	1
1	1599851	Brush .....	2
1	1599853	Brush Spring .....	4
1	1599855	Magnetic Switch .....	1
1	.....	Gear Case Assembly .....	1
1	1599860	Pinion (Assembly) .....	1
1	1599861	Shaft .....	1
1	1599862	Stopper Kit .....	1
1	1599863	Clutch .....	1
1	1599864	Ball Bearing .....	1
1	1599865	Ball Bearing .....	1
1	1599866	Retainer .....	1
1	1599867	Housing .....	1
2	2107181	Battery Cable (Positive) .....	1
2	1357268	Battery Cable (Red) .....	1
2	1357535	Wire (Bulk) (Red) .....	1
2	148792	Terminal .....	1
2	16079	Terminal .....	1
2	806426	E-Ring .....	1
2	1536304	Boot .....	1
2	204223	Boot .....	1
2	1566146	Boot .....	1
3	2069226	Battery Cable (Negative) .....	1
3	16078	Battery Cable .....	1
3	1357533	Wire-Bulk (Black) .....	1
3	148789	Terminal .....	1
3	16079	Terminal .....	1
3	1564044	E-Ring .....	1
3	128408	Clamp .....	1
3	806426	E-Ring .....	1
4	2065098	Wire Harness (Alternator) (☞ Figure 10-5).....	1
5	302027	Screw .....	1
6	320154	Washer .....	1
7	1537551	Nut (Clip) .....	1
8	136687	Nut .....	1
9	2087191	Wire Harness (Powertrain Yanmar) (☞ Figure 10-3).....	1
10	1532761	Clip .....	1
11	1532759	Clip .....	1
12	1582151	Bracket (Glow Plug Relay) .....	1
13	1527562	Rubber Mount .....	2
14	1454967	Relay .....	1
15	1514429	Nut .....	2
16	296379	Washer .....	2

**ENGINE ELECTRICAL SYSTEM  
YANMAR DIESEL**

<b>ITEM</b>	<b>PART NO.</b>	<b>DESCRIPTION</b>	<b>QTY</b>
17	1560678	Nut .....	2
18	1582150	Bracket (Glow Plug Fuse) .....	1
19	1529366	Capscrew .....	4
20	320152	Washer .....	1
21	292676	Lockwasher .....	1
22	302015	Screw .....	1
23	1502061	Clamp (Swivel) .....	1
24	1542439	Clamp (Swivel) .....	1
25	1541231	Sensor (Input Speed, TISS) .....	1
26	1566654	Pressure Transducer Sensor (Oil Pressure) .....	1
27	1515654	Temperature Sensor .....	1
28	1527878	Capscrew .....	1
29	367224	Adapter .....	1
30	1591454	Bracket (Speed Sensor) .....	1
31	1582464	Fastener .....	3
32	1500912	Clip .....	3
33	1594055	Bracket .....	1
34	296380	Washer .....	2
35	1502543	Nut (Flange) .....	1

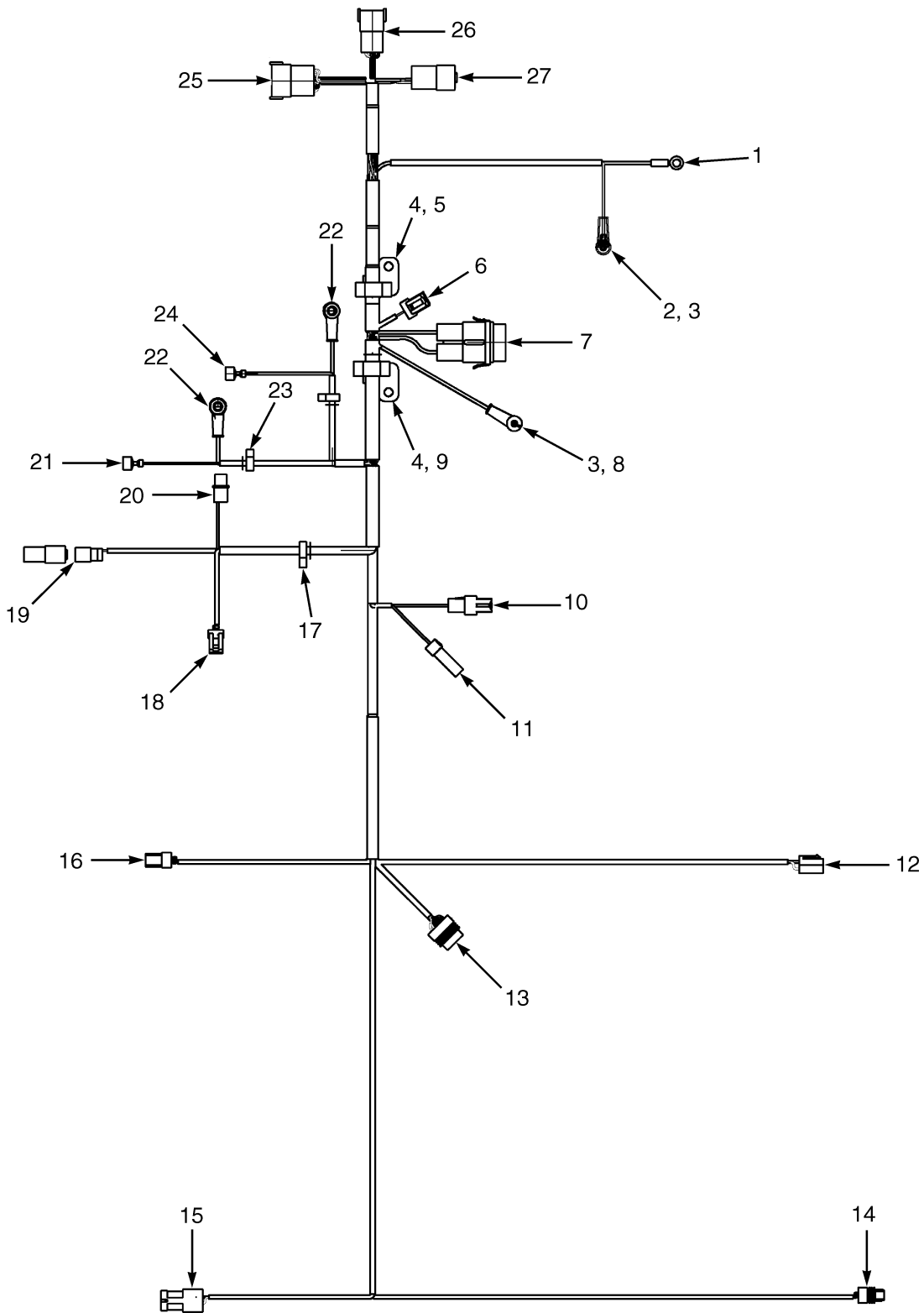
**ALTERNATOR AND MOUNTING (FIGURE 10-2)**  
**YANMAR 2.6L, 3.0L AND 3.3L — DIESEL**



BP080337

ITEM	PART NO.	DESCRIPTION	QTY
1	1599869	Alternator .....	1
1	1599873	Ball Bearing .....	1
1	1599874	Plate .....	1
1	1599875	Screw .....	4
1	1599876	Stud .....	2
1	1599877	Rotator Assembly .....	1
1	1599878	Ball Bearing .....	1
1	1599879	Cover .....	1
2	1599893	Bolt .....	1
3	1599894	Nut .....	1
4	1599897	Bolt .....	1
5	1599895	Bracket .....	1
6	1599896	Bolt .....	1
7	1599870	Pulley .....	1

## WIRE HARNESS (FIGURE 10-3) ENGINE — YANMAR 2.6L, 3.0L AND 3.3L, DIESEL



BP080672

**WIRE HARNESS**  
**ENGINE – YANMAR 2.6L , 3.0L AND 3.3L, DIESEL**

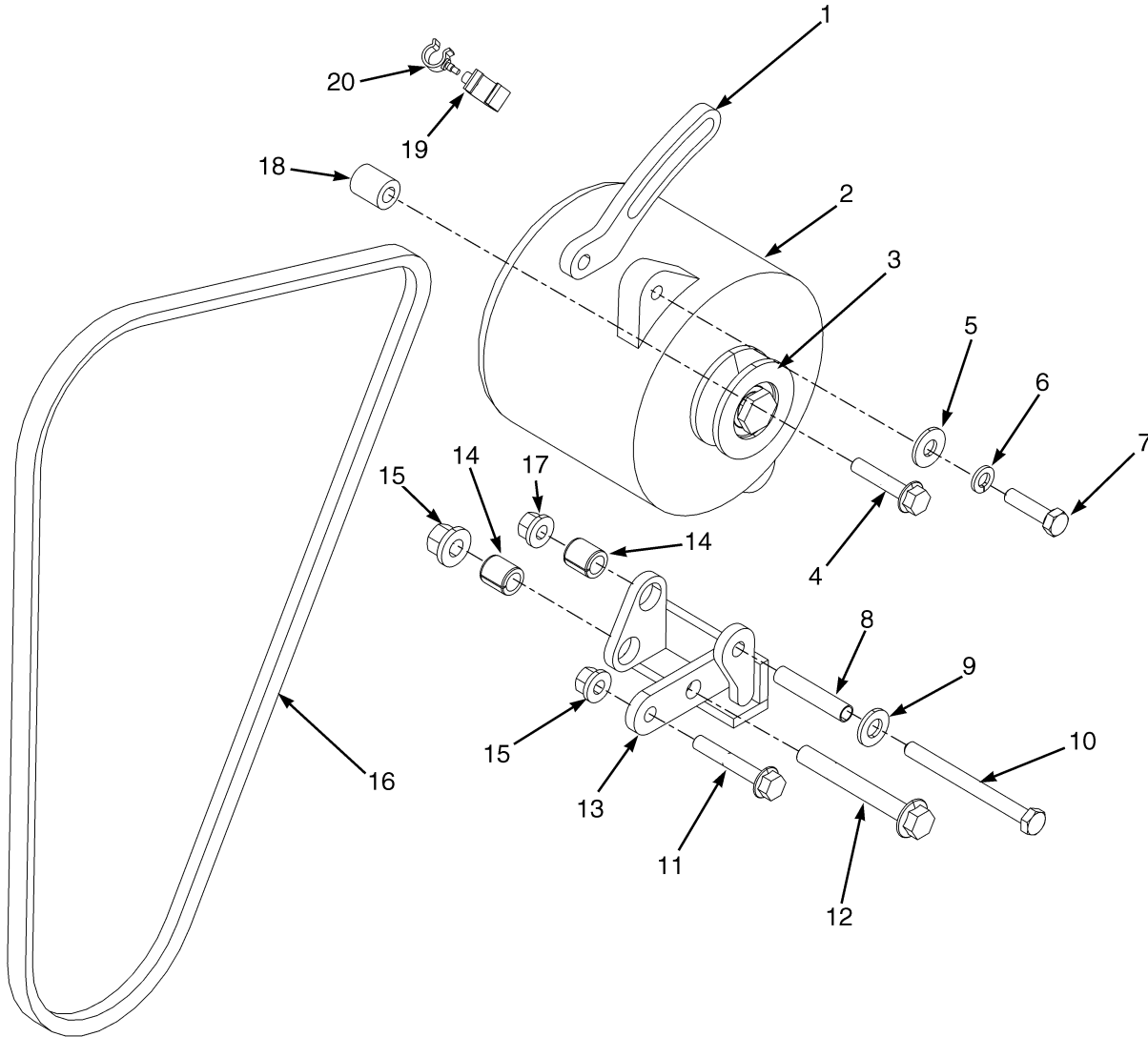
ITEM	PART NO.	DESCRIPTION	QTY
	2087191	Wire Harness .....	1
1	148611	E-Ring (Starter Stud) .....	1
2	1382695	Fuse Connector .....	2
2	1559049	Ring Terminal (Glow Plug) .....	1
3	190382	Boot .....	2
4	1559049	Ring Terminal (Starter Solenoid) .....	1
4	190382	Boot .....	1
4	1532776	Clip .....	2
5	1532761	Clip .....	1
6	1546673	Connector (Engine RPM Sensor) .....	1
6	1323576	Terminal .....	3
7	.....	Connector (Fuse 60 Amp) .....	1
7	1454860	Connector Body .....	1
7	1382695	Fuse Connector .....	2
7	1382694	Fuse Connector .....	2
7	1454829	Fuse (60 Amp) .....	1
7	1454862	Cover (With Seal) .....	1
8	148609	E-Ring (Glow Plug) .....	1
9	1532759	Clip .....	1
10	1582484	Connector (Fuel Shut-off Solenoid) .....	1
11	1582486	Connector (Cold Start Aid) .....	1
12	1547368	Connector Body (Alternator) .....	1
12	1565098	Terminal .....	1
13	.....	Throttle Position Sensor .....	1
13	1525584	Connector (Throttle Position Sensor) .....	1
13	1532571	Terminal .....	6
14	1476077	Connector (Fuel Level Sensor) .....	1
14	1323576	Terminal .....	2
15	.....	Connector (Air Filter Sensor) .....	1
15	1465469	Connector .....	1
15	1323578	Terminal .....	2
15	1402888	Seal (Purple) .....	2
16	1323586	Connector (Water Temperature Sensor) .....	1
16	1323576	Terminal .....	2
17	1500901	Clip .....	1
18	1327957	Connector (Low Engine Oil Pressure Switch) .....	1
18	1532571	Terminal .....	3
19	1330419	Connector (Pull Actuator) .....	1
19	1330436	Terminal .....	2
19	1330424	Connector (Secondary Lock) .....	1
19	1351681	Connector .....	1
20	1547369	Connector Body (Fuel Filter Water Separator) .....	1
21	1402849	Connector Body (Relay Signal 86) .....	1
22	1560015	E-Ring .....	1
22	190383	Boot .....	1
23	1509888	Clip .....	2
24	325789	Terminal .....	2
25	.....	Engine to Chassis .....	1
25	1500925	Connector .....	1
25	1330437	Terminal (Pin) .....	11

**WIRE HARNESS**  
**ENGINE – YANMAR 2.6L , 3.0L AND 3.3L, DIESEL**

ITEM	PART NO.	DESCRIPTION	QTY
25	1484377	Plug .....	1
25	1352603	Secondary Lock .....	1
26	.....	Engine to Chassis .....	1
26	1541988	Connector (8 Pin) .....	1
26	1463138	Terminal Pin .....	8
26	1541989	Connector .....	1
27	.....	Engine to Chassis .....	1
27	1514598	Connector .....	1
27	1330439	Plug .....	1
27	1484709	Terminal (Pin) .....	3
27	1514597	Connector .....	1



## SEALED ALTERNATOR AND MOUNTING (FIGURE 10-4) YANMAR 2.6 AND 3.3L



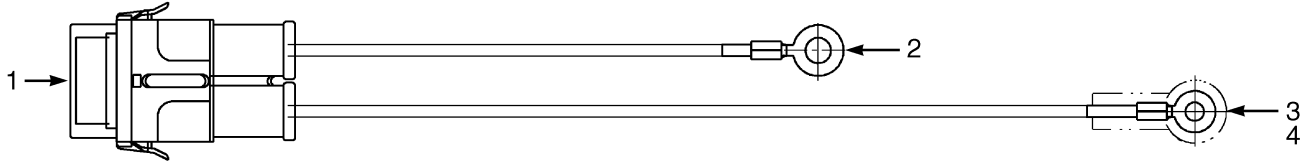
BP080422



**SEALED ALTERNATOR AND MOUNTING  
YANMAR 2.6 AND 3.3L**

ITEM	PART NO.	DESCRIPTION	QTY
1	1608865	Strap (Alternator) .....	1
2	1598645	Alternator (Sealed) .....	1
3	1608928	Pulley .....	1
4	1510114	Capscrew .....	1
5	15175	Lockwasher .....	1
6	15155	Lockwasher .....	1
7	18498	Capscrew .....	1
8	1537422	Spacer .....	1
9	320159	Washer .....	1
10	346656	Capscrew .....	1
11	1510116	Capscrew .....	1
12	1617600	Capscrew .....	1
13	1617614	Bracket Wldmt .....	1
14	1345014	Sleeve .....	2
15	1544153	Locknut .....	2
16	2080581	V-Belt .....	1
17	1544154	Flange Locknut .....	1
18	1615860	Spacer .....	1
19	1606544	Clamp (Swivel) .....	1
20	1573549	Clamp .....	1

## WIRE HARNESS (FIGURE 10-5) ALTERNATOR — DIESEL

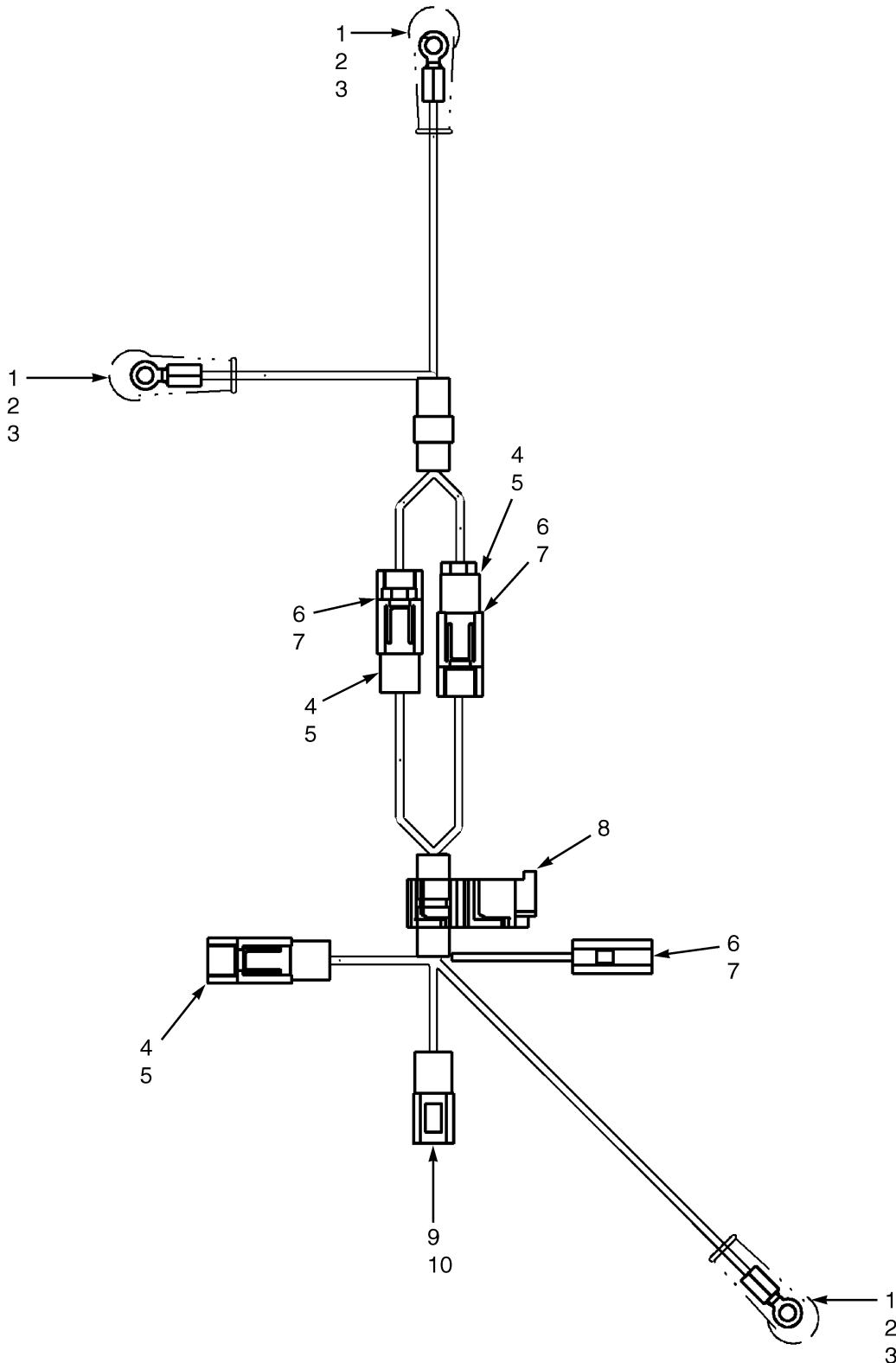


BP080476

ITEM	PART NO.	DESCRIPTION	QTY
	2065098	Wire Harness (Alternator) .....	1
1	.....	Connector Assembly .....	1
1	1454827	Seal .....	2
1	1454828	Terminal .....	2
1	1454829	Fuse (60 Amp) .....	1
1	1454860	Connector Body .....	1
1	1454862	Cover (With Seal) .....	1
2	1566145	E-Ring (To PDM) .....	1
3	1560015	E-Ring (To Alternator) .....	1
4	1566146	Boot .....	1



**WIRE HARNESS (FIGURE 10-6)**  
**SEALED ALTERNATOR — YANMAR 2.6L AND 3.3L, DIESEL**



BP080507

**WIRE HARNESS**  
**SEALED ALTERNATOR – YANMAR 2.6L AND 3.3L, DIESEL**

ITEM	PART NO.	DESCRIPTION	QTY
	2084810	Wire Harness (Alternator) .....	1
1	1582218	E-Ring .....	3
2	190383	Boot .....	3
3	175944	Heat Shrink .....	AR
4	181045	Connector Body .....	3
5	134810	Terminal .....	3
6	181046	Connector Body .....	3
7	1561117	Terminal .....	3
8	1579403	Clip .....	1
9	1308260	Connector Body .....	1
10	314773	Terminal .....	2





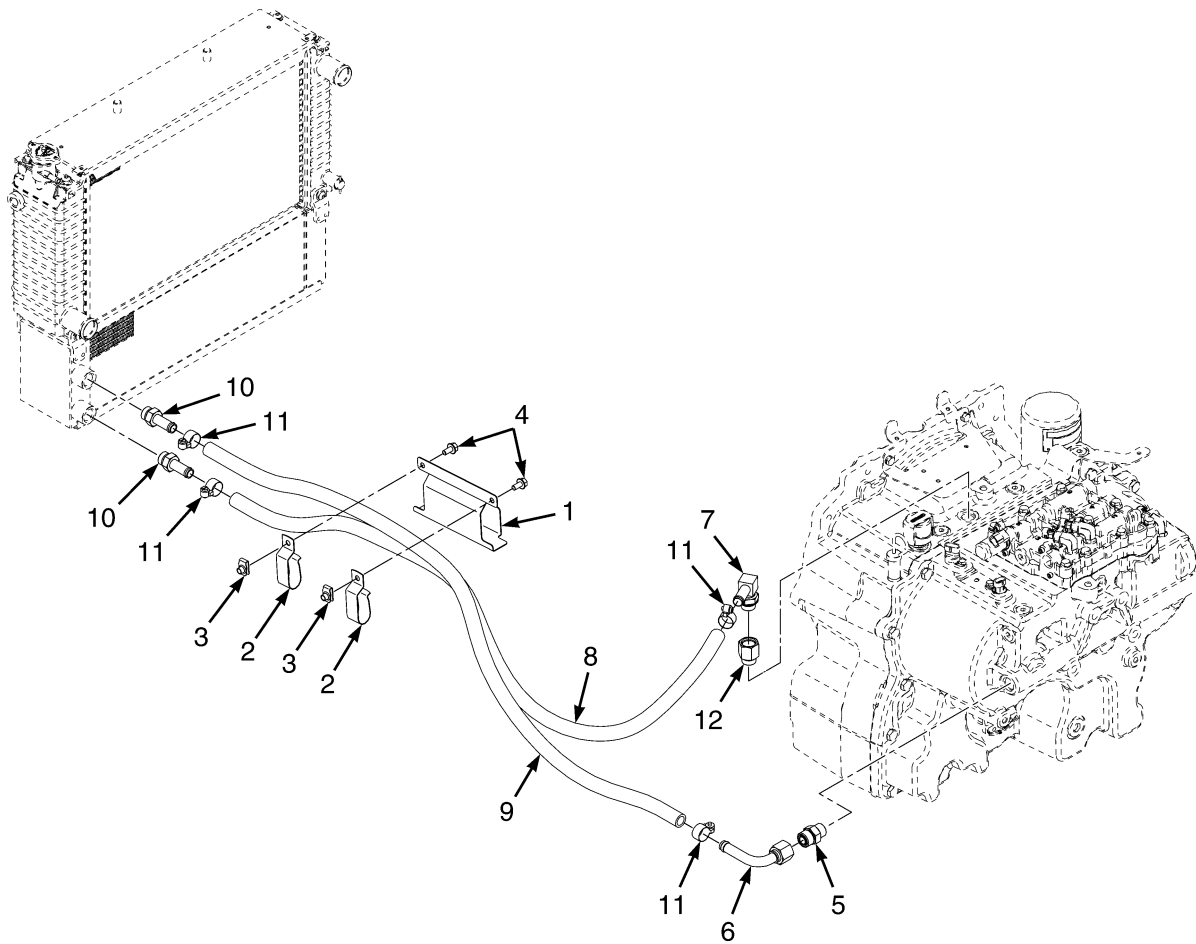




**SECTION 11  
TRANSMISSION**

<b>DESCRIPTION</b>	<b>PAGE</b>
CHARGE PUMP ASSEMBLY .....	11-37
CONTROL VALVE ASSEMBLY	
LOW PRESSURE .....	11-36
COUNTER/REVERSE CLUTCH	
DUAL SPEED TRANSMISSION .....	11-32
SINGLE SPEED TRANSMISSION .....	11-22
FORWARD CLUTCH, HIGH	
DUAL SPEED TRANSMISSION .....	11-30
INPUT/FORWARD CLUTCH	
SINGLE SPEED TRANSMISSION .....	11-20
INPUT/FORWARD CLUTCH, LOW	
DUAL SPEED TRANSMISSION .....	11-34
STATOR SUPPORT HOUSING .....	11-18
TORQUE CONVERTER .....	11-12
TORQUE CONVERTER HOUSING AND ATTACHING PARTS	
SINGLE SPEED - ALUMINUM CHAIN DRIVE .....	11-16
TRANSMISSION	
CAST IRON WITH DUAL SPEED, WET BRAKE - SHEET 1 OF 2 .....	11-26
CAST IRON WITH DUAL SPEED, WET BRAKE - SHEET 2 OF 2 .....	11-28
TRANSMISSION COOLING	
2.4L PSI ENGINE .....	11-10
KUBOTA 2.5L LPG - SQUARE WAVE WITH OIL COOLER FOR DUAL SPEED TRANSMISSION .....	11-2
KUBOTA 2.5L LPG - SQUARE WAVE WITHOUT OIL COOLER DUAL SPEED TRANSMISSION .....	11-4
KUBOTA 2.5L LPG - SQUARE WAVE WITHOUT OIL COOLER WITH SINGLE SPEED TRANSMISSION .....	11-6
YANMAR 2.6L , 3.0L AND 3.3L DIESEL - SQUARE WAVE WITH INTERNAL OIL COOLER .....	11-8
TRANSMISSION HOUSING AND ASSEMBLY	
SINGLE SPEED - ALUMINUM CHAIN DRIVE .....	11-14
TRANSMISSION MOUNT	
DUAL SPEED .....	11-24
SINGLE SPEED - ALUMINUM CHAIN DRIVE .....	11-13

## TRANSMISSION COOLING (FIGURE 11-1) KUBOTA 2.5L LPG — SQUARE WAVE WITH OIL COOLER FOR DUAL SPEED TRANSMISSION

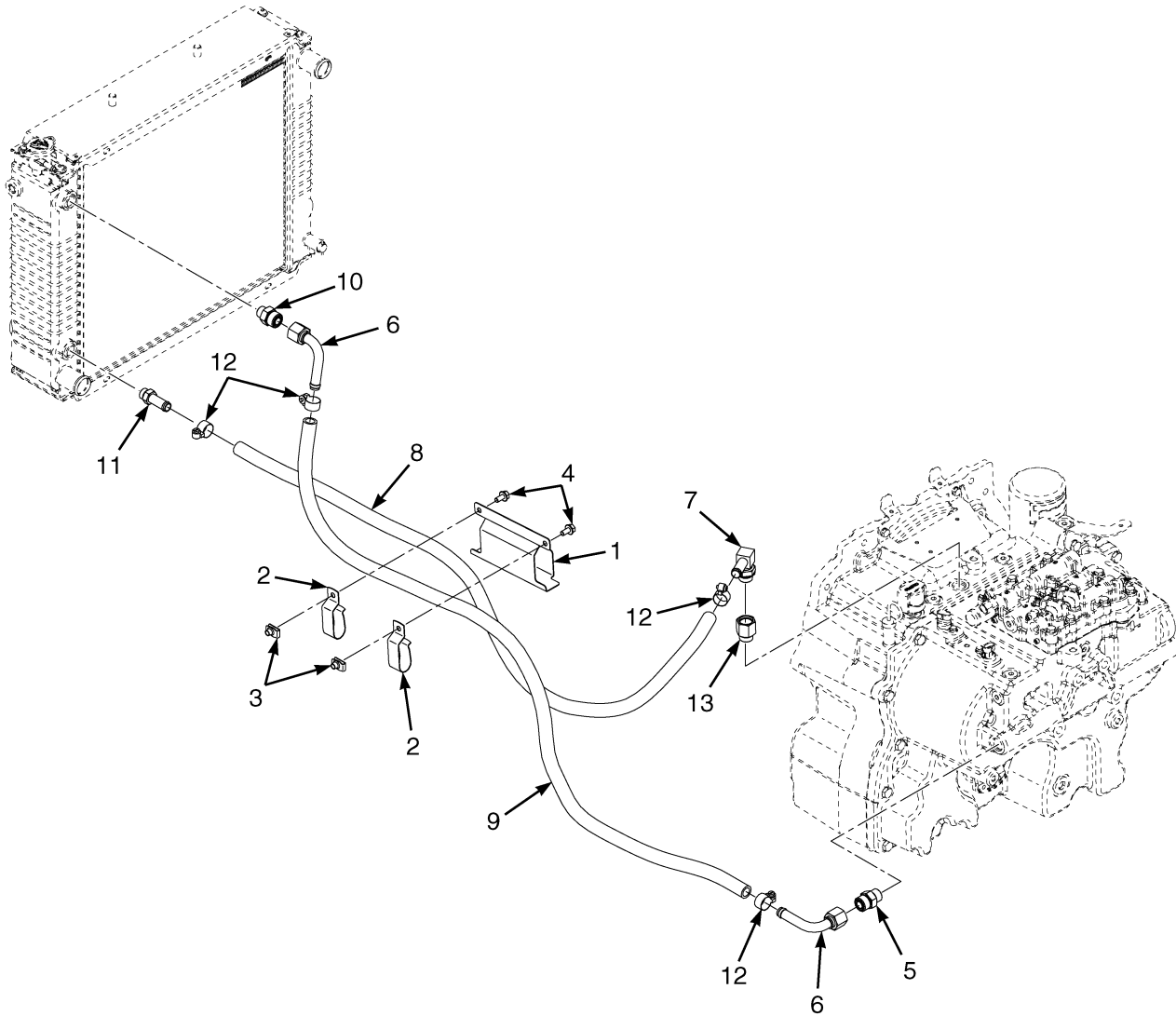


BP240248

**TRANSMISSION COOLING**  
**KUBOTA 2.5L LPG – SQUARE WAVE WITH OIL COOLER FOR DUAL SPEED TRANSMISSION**

ITEM	PART NO.	DESCRIPTION	QTY
1	4079256	Heat Shield .....	1
2	1562648	Clip .....	2
3	1480237	Nut .....	2
4	4109993		
	1527879	Capscrew .....	2
5	1486749	Fitting .....	1
6	2109875	Tube Assy .....	1
7	222512	Fitting .....	1
7	16485	O-Ring .....	1
8	2109665	Hose Assy .....	1
9	2110024	Hose .....	1
10	17223	Fitting .....	2
10	16485	O-Ring .....	1
11	130845	Clamp .....	4
12	1691525	Adapter .....	1

## TRANSMISSION COOLING (FIGURE 11-2) KUBOTA 2.5L LPG — SQUARE WAVE WITHOUT OIL COOLER DUAL SPEED TRANSMISSION

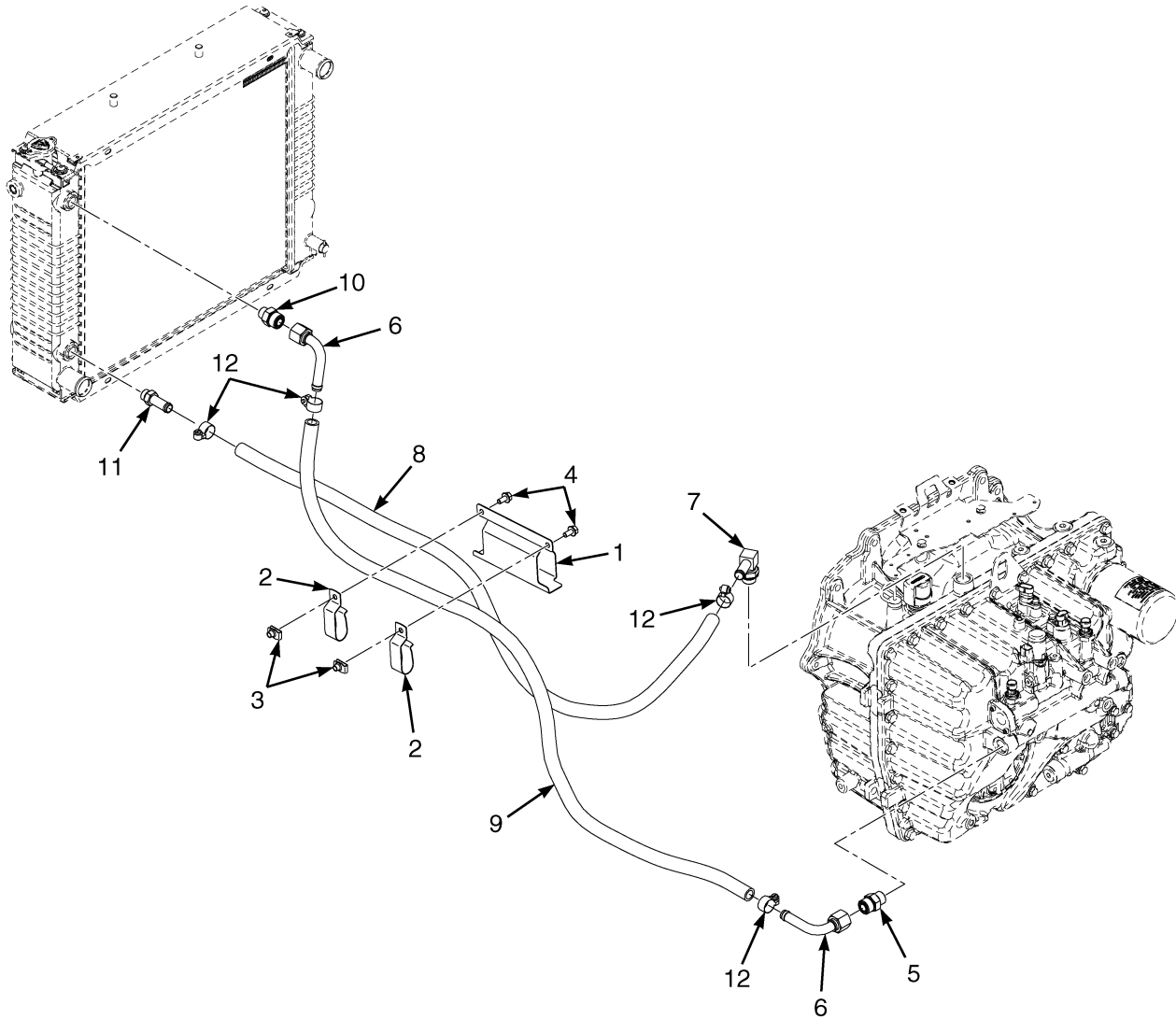


BP240249

**TRANSMISSION COOLING**  
**KUBOTA 2.5L LPG – SQUARE WAVE WITHOUT OIL COOLER DUAL SPEED TRANSMISSION**

ITEM	PART NO.	DESCRIPTION	QTY
1	4079256	Heat Shield .....	1
2	1562648	Clip .....	2
3	1480237	Nut .....	2
4	4109993		
	1527879	Capscrew .....	2
5	1486749	Fitting .....	1
6	2109875	Tube Assy .....	1
7	222512	Fitting .....	1
7	16485	O-Ring .....	1
8	2109665	Hose Assy .....	1
9	2109869	Hose .....	1
10	1565127	Fitting .....	1
11	1673198	Fitting .....	1
11	222493	Fitting .....	1
11	16484	O-Ring .....	1
12	130845	Clamp .....	4
13	1691525	Adapter .....	1

## TRANSMISSION COOLING (FIGURE 11-3) KUBOTA 2.5L LPG — SQUARE WAVE WITHOUT OIL COOLER WITH SINGLE SPEED TRANSMISSION

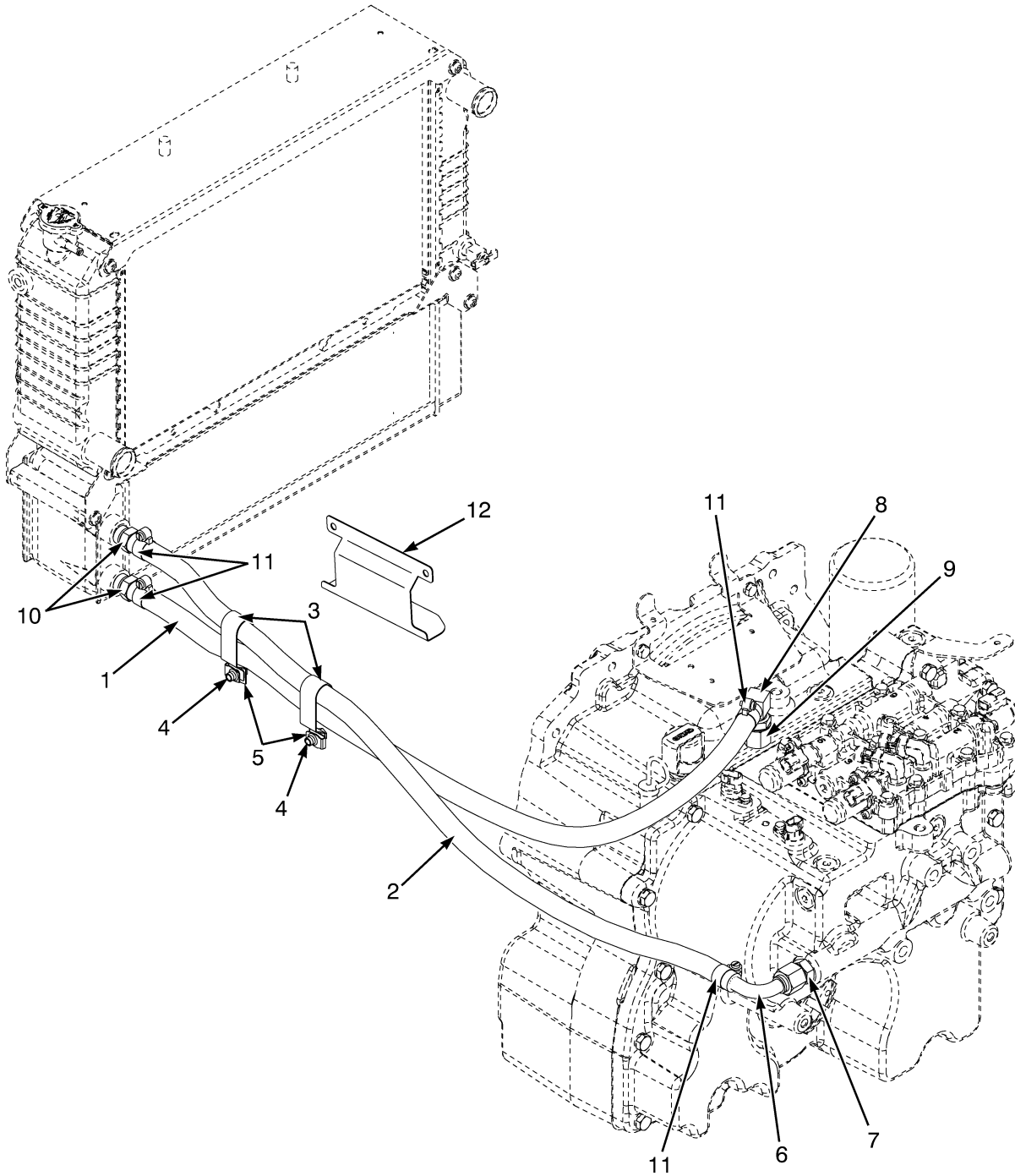


BP240253

**TRANSMISSION COOLING****KUBOTA 2.5L LPG – SQUARE WAVE WITHOUT OIL COOLER WITH SINGLE SPEED TRANSMISSION**

ITEM	PART NO.	DESCRIPTION	QTY
1	4079256	Heat Shield .....	1
2	1562648	Clip .....	2
3	1480237	Nut .....	2
4	4109993		
	1527879	Capscrew .....	2
5	1486749	Fitting .....	1
6	2109875	Tube Assy .....	2
7	222512	Fitting .....	1
7	16485	O-Ring .....	1
8	2110024	Hose .....	1
9	2109869	Hose .....	1
10	1565127	Fitting .....	1
11	1673198	Fitting .....	1
11	222493	Fitting .....	1
11	16484	O-Ring .....	1
12	130845	Clamp .....	4

## TRANSMISSION COOLING (FIGURE 11-4) YANMAR 2.6L , 3.0L AND 3.3L DIESEL — SQUARE WAVE WITH INTERNAL OIL COOLER



BP240164

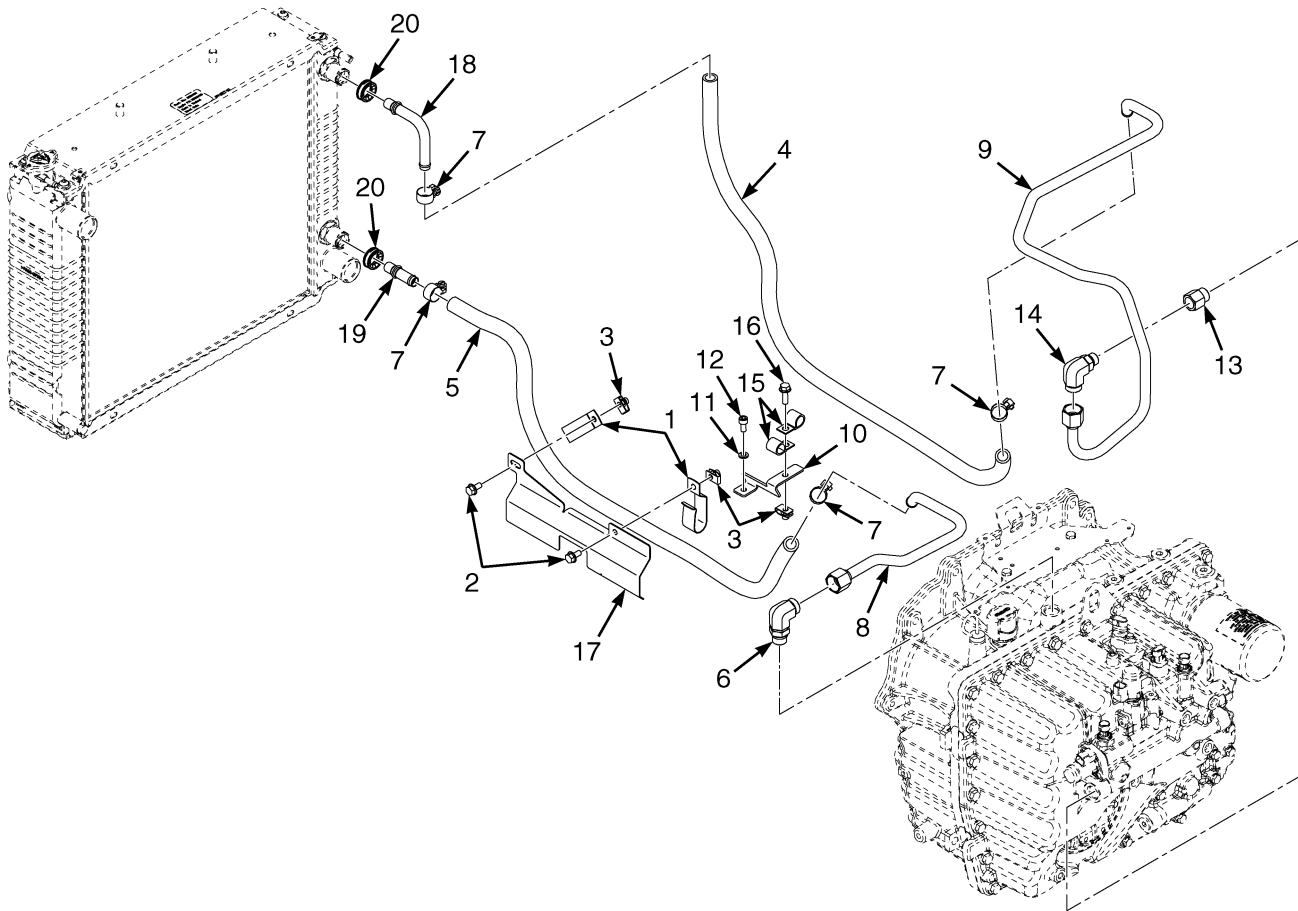


**TRANSMISSION COOLING**  
**YANMAR 2.6L , 3.0L AND 3.3L DIESEL – SQUARE WAVE WITH INTERNAL OIL COOLER**

ITEM	PART NO.	DESCRIPTION	QTY
1	<b>a</b> 2109665	Hose Assy .....	1
1	<b>b</b> 2107524	Hose .....	1
2	2110024	Hose .....	1
3	1562648	Clip .....	2
4	<del>4109993</del> 1527879	Capscrew .....	2
5	1480237	Nut (Foldover) .....	2
6	2109875	Tube Assy .....	1
6	1487165	Fitting .....	1
7	1486749	Fitting .....	1
8	222512	Fitting .....	1
8	16485	O-Ring .....	1
9	<b>a</b> 1691525	Adapter .....	1
10	17223	Fitting .....	2
10	16485	O-Ring .....	1
11	130845	Clamp .....	4
12	1616979	Heat Shield .....	1

**FOOTNOTES:****a** With Dual Speed Transmission**b** With Single Speed Transmission

## TRANSMISSION COOLING (FIGURE 11-5) 2.4L PSI ENGINE



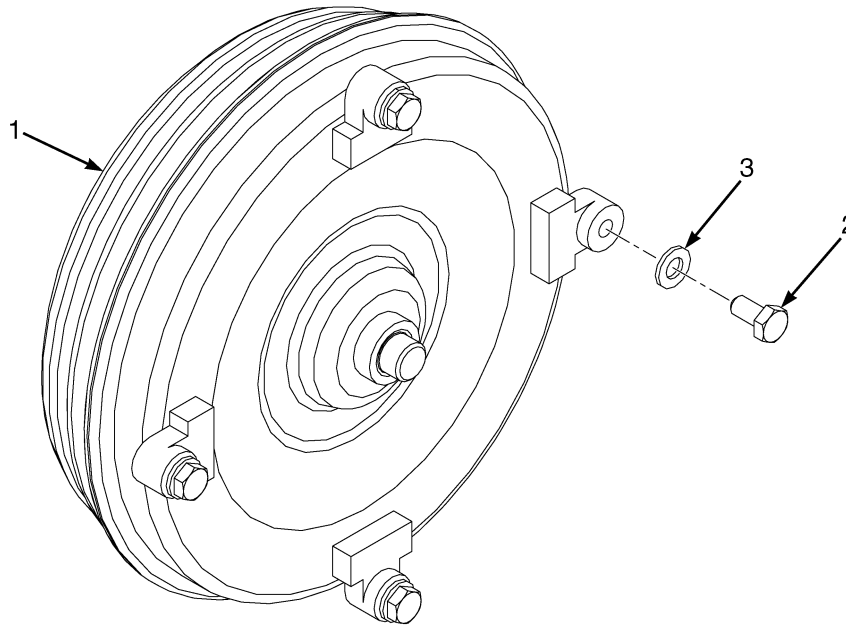
BP150707

**TRANSMISSION COOLING  
2.4L PSI ENGINE**

ITEM	PART NO.	DESCRIPTION	QTY
1	1562648	Clip .....	2
2	4109993		
	1527879	Capscrew .....	2
3	1480237	Nut .....	4
4	2110024	Hose .....	1
5	2111783	Hose .....	1
6	4125957	Fitting .....	1
7	130845	Clamp .....	4
8	4641510	Tube Assy .....	1
9	4641511	Tube Assy .....	1
10	4123698	Bracket .....	1
11	292681	Lockwasher .....	1
12	296010	Capscrew .....	1
13	239222	Connector .....	1
13	16485	O-Ring .....	1
14	1487068	Fitting .....	1
15	128408	Clamp .....	2
16	1527880	Capscrew .....	1
17	4103550	Heat Shield .....	1
18	4634155	Tube Assy .....	1
19	4634236	Tube Assy .....	1
20	4130733	Dust Cap .....	2
20	<b>a</b> 4130734	Retainer .....	2

**FOOTNOTES:****a** Not Illustrated

## TORQUE CONVERTER (FIGURE 11-6)



BP080656

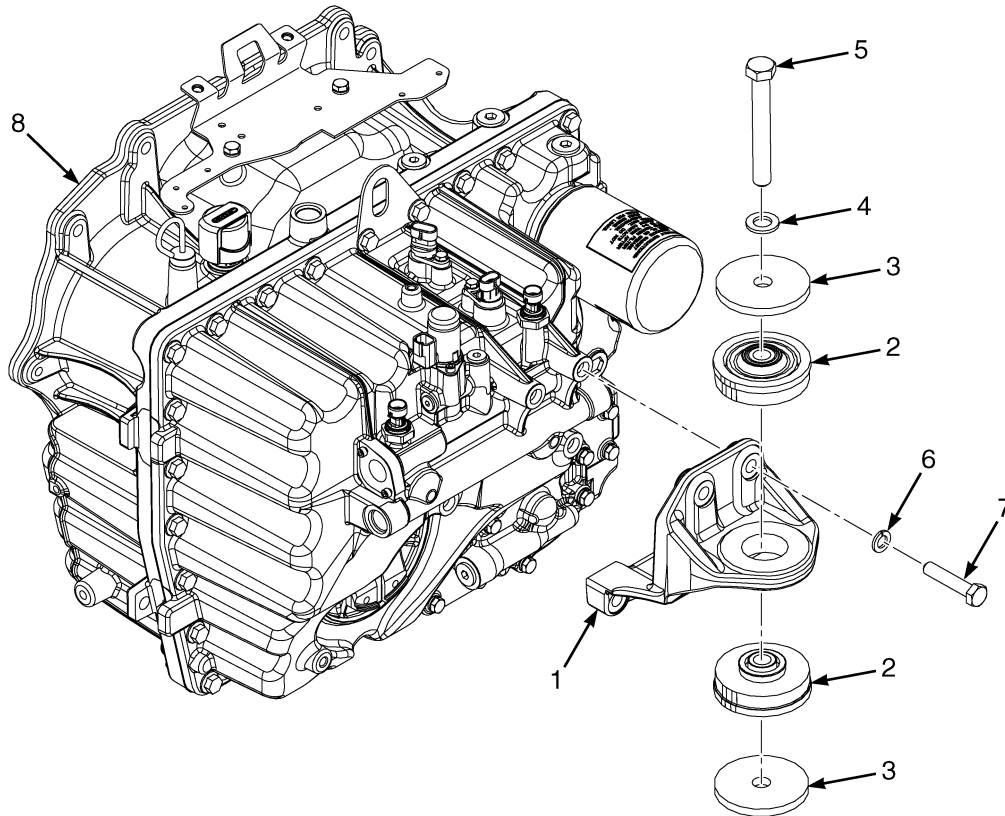
**KEY:**

**A:** PSI Engine

**B:** Kubota and Yanmar Engines

ITEM	PART NO.	DESCRIPTION	QTY	
			A	B
1	1553122	Torque Converter (PSI Engine) .....	1	..
1	1553123	Torque Converter (Kubota and Yanmar Engines) .....	..	1
2	1541921	Capscrew .....	..	4
2	4101319	Capscrew .....	4	..
3	296420	Washer .....	..	4
	360387	Loctite .....	AR	AR
	251979	Lubricant .....	AR	AR

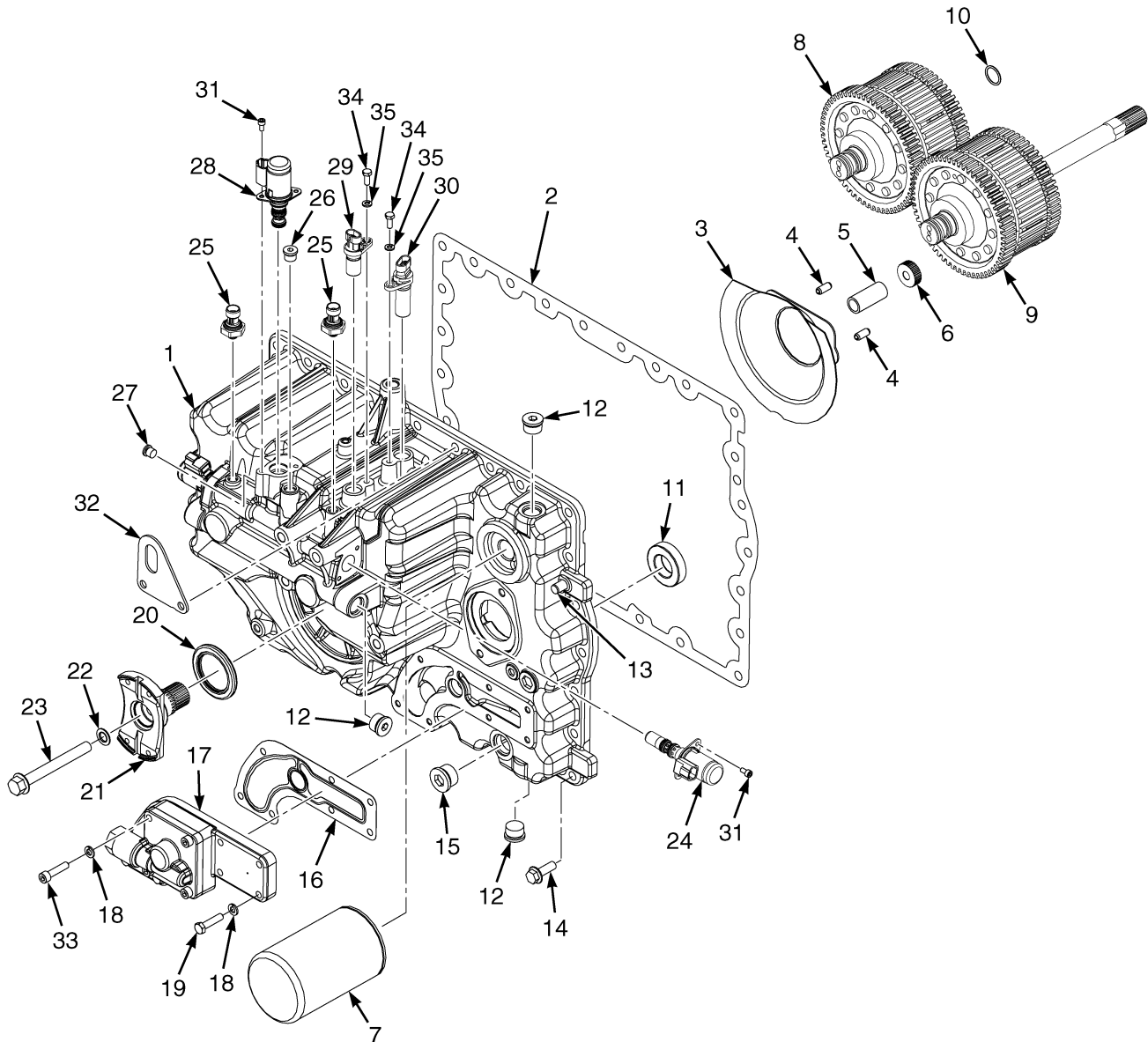
**TRANSMISSION MOUNT (FIGURE 11-7)  
SINGLE SPEED — ALUMINUM CHAIN DRIVE**



BP240237

ITEM	PART NO.	DESCRIPTION	QTY
1	1697665	Bracket .....	1
2	2070147	Isolator .....	2
3	4085524	Washer .....	2
4	320165	Washer .....	1
5	293697	Capscrew .....	1
6	292683	Lockwasher .....	4
7	292531	Capscrew .....	4
8	4089371	Transmission Assy (☞ Figure 11-8, ☞ Figure 11-9).....	1
	264134	Loctite .....	AR

## TRANSMISSION HOUSING AND ASSEMBLY (FIGURE 11-8) SINGLE SPEED — ALUMINUM CHAIN DRIVE

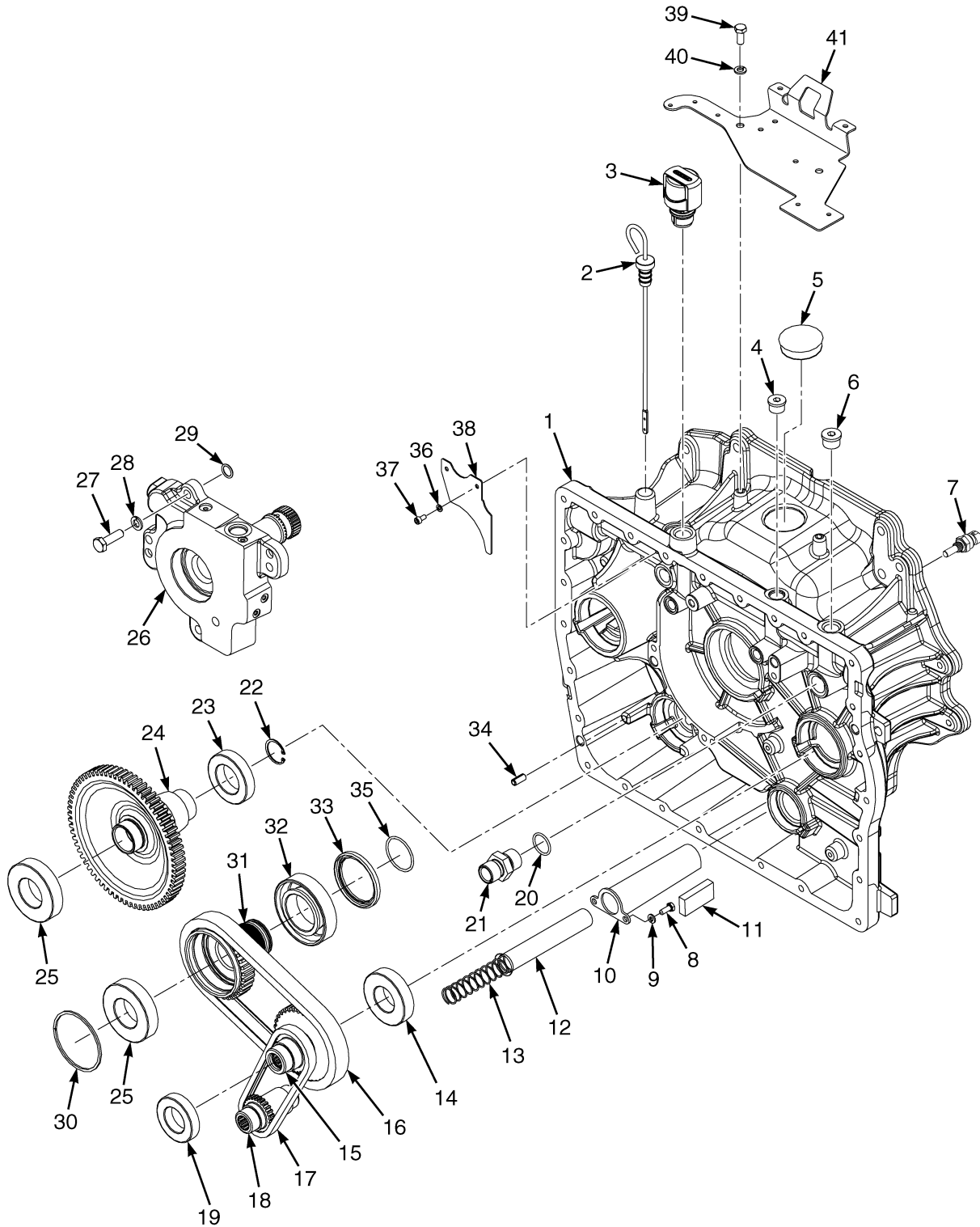


BP240243

**TRANSMISSION HOUSING AND ASSEMBLY  
SINGLE SPEED – ALUMINUM CHAIN DRIVE**

ITEM	PART NO.	DESCRIPTION	QTY
	4089371	Transmission Assy .....	1
1	4025209	Transmission Housing .....	1
2	1702335	Gasket .....	1
3	1688435	Cover .....	1
4	173056	Roll Pin .....	2
5	1636645	Spacer .....	1
6	1516849	Nut .....	1
7	4020588	Transmission Filter .....	1
8	1676324	Clutch Pack (Reverse) (☞Figure 11-12).....	1
9	1676323	Clutch Pack (Forward) (☞Figure 11-11).....	1
10	118361	O-Ring .....	1
11	44306	Ball Bearing .....	2
12	233693	Fitting .....	3
13	303150	Dowel .....	1
14	1527884	Capscrew .....	26
15	222444	Fitting .....	1
15	16486	O-Ring .....	1
16	1702336	Gasket .....	1
17	4614678	Charge Pump (☞Figure 11-20).....	1
18	292681	Lockwasher .....	7
19	293615	Capscrew .....	4
20	1547447	Oil Seal .....	1
21	1655880	Yoke .....	1
22	86229	Seal .....	1
23	1654651	Flange Head Capscrew .....	1
24	1660500	Solenoid Valve (Proportional Value) .....	2
25	2070263	Pressure Transducer .....	2
26	222443	Fitting .....	1
26	16483	O-Ring .....	1
27	222442	Fitting .....	1
27	16481	O-Ring .....	1
27	204128	Plug .....	1
28	1520660	Solenoid (Transmission Enable Valve) .....	1
29	1541231	Sensor (Input Speed, TISS) .....	1
30	1541232	Sensor (Output Speed, TOSS) .....	1
31	293741	Capscrew .....	6
32	4025106	Bracket (Lifting Eye) .....	1
33	293622	Capscrew .....	3
34	292500	Capscrew .....	2
35	292680	Washer .....	2

## TORQUE CONVERTER HOUSING AND ATTACHING PARTS (FIGURE 11-9) SINGLE SPEED — ALUMINUM CHAIN DRIVE



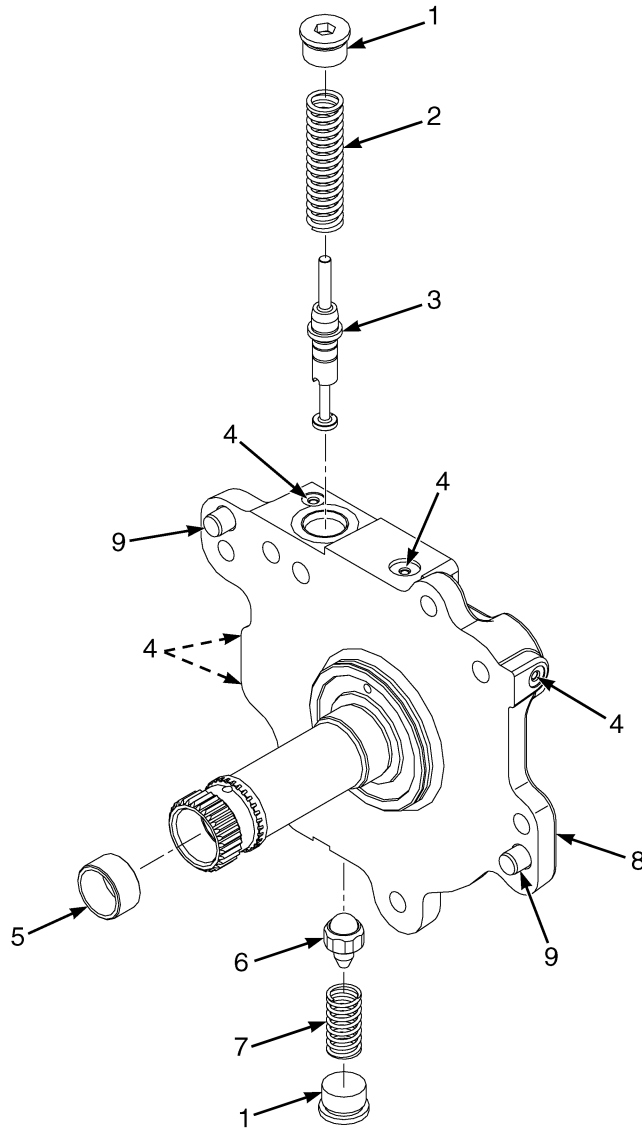
BP240244



**TORQUE CONVERTER HOUSING AND ATTACHING PARTS**  
**SINGLE SPEED – ALUMINUM CHAIN DRIVE**

ITEM	PART NO.	DESCRIPTION	QTY
	4089371	Transmission Assy .....	1
1	4016150	Converter Housing .....	1
2	1624401	Dipstick .....	1
3	1632741	Breather .....	1
3	16486	O-Ring .....	1
4	235691	Fitting .....	1
5	1703644	Plug .....	1
6	233693	Fitting .....	3
6	16485	O-Ring .....	1
7	1515654	Temperature Sensor .....	1
8	292500	Capscrew .....	2
9	292680	Washer .....	2
10	1702520	Cover (Suction Screen) .....	1
11	334560	Magnet .....	1
12	334450	Screen .....	1
13	1688598	Spring .....	1
14	43207	Ball Bearing .....	1
15	4016152	Sprocket (Driven) .....	1
16	4020467	Drive Chain .....	1
17	4020466	Drive Chain .....	1
18	4010318	Sprocket (Driven) .....	1
19	44307	Ball Bearing .....	1
20	39375	O-Ring .....	1
21	1558515	Fitting .....	1
22	58916	Snap Ring .....	1
23	44308	Ball Bearing .....	1
24	1684389	Transmission Gear (Output) .....	1
25	43208	Ball Bearing .....	2
26	1675647	Housing (Stator Support Assembly) (☞ Figure 11-10).....	1
27	287860	Capscrew .....	4
28	292682	Lockwasher .....	4
29	104681	O-Ring .....	2
30	1544218	Sealing Ring .....	1
31	4016151	Sprocket (Driving) .....	1
32	1544216	Bearing .....	1
33	1544217	Oil Seal (Torque Converter) .....	1
34	303150	Dowel .....	1
35	145481	O-Ring .....	1
36	292679	Washer .....	2
37	293741	Capscrew .....	2
38	4020311	Plate (Baffle) .....	1
39	136681	Capscrew .....	2
40	292681	Lockwasher .....	2
41	4103857	Plate Wldmt .....	1

## STATOR SUPPORT HOUSING (FIGURE 11-10)

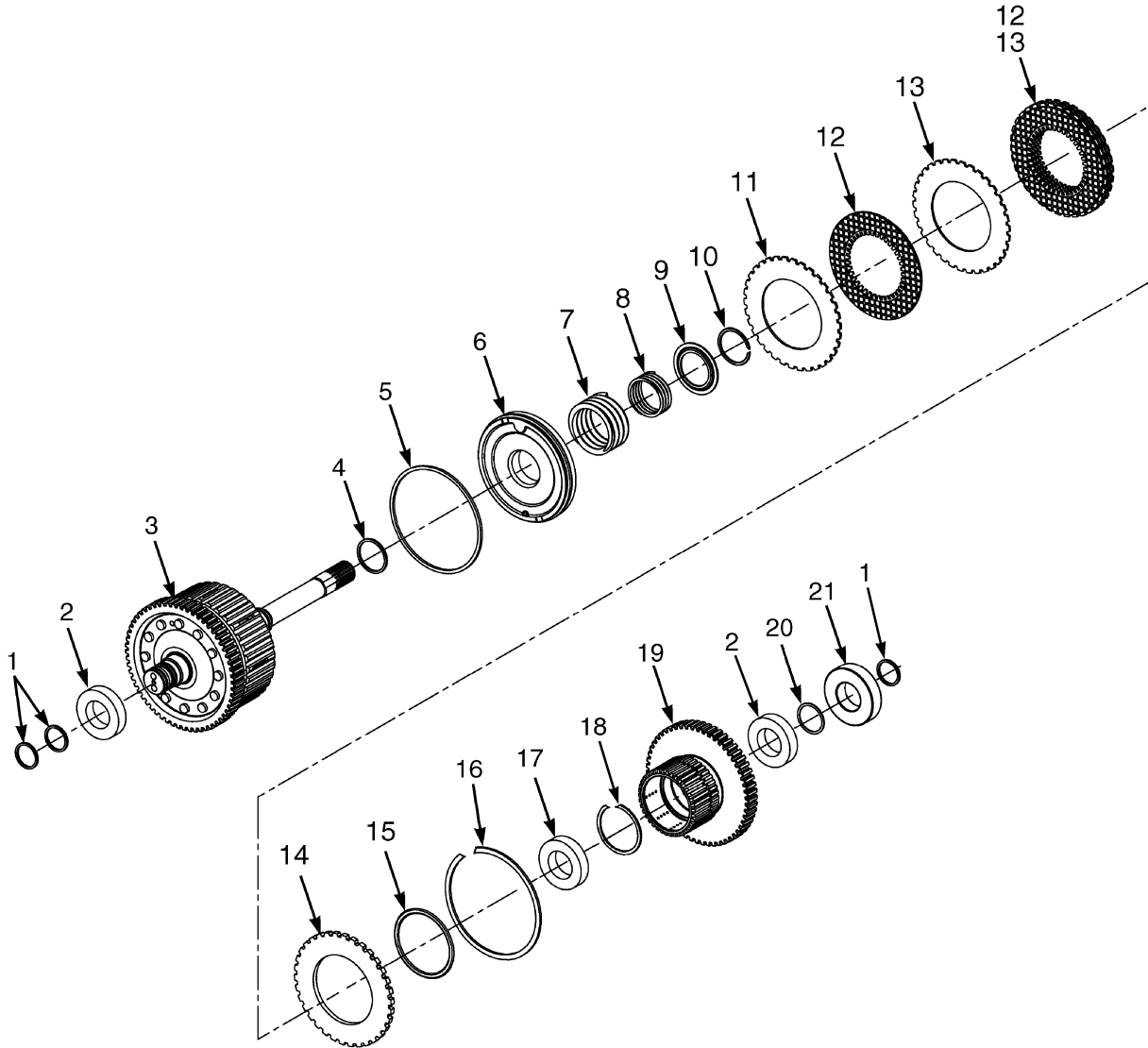


BP240196

**STATOR SUPPORT HOUSING**

ITEM	PART NO.	DESCRIPTION	QTY
	1675647	Housing Stator Support .....	1
1	233693	Fitting .....	2
1	16485	O-Ring .....	1
2	1676327	Spring (Pack Regulator) .....	1
3	1676326	Spool (Pack Regulator) .....	1
4	.....	Plug .....	5
5	1516826	Bushing .....	1
6	63081	Ball .....	1
7	1676328	Spring (Converter Relief) .....	1
8	.....	Body .....	1
9	303150	Dowel .....	2

## INPUT/FORWARD CLUTCH (FIGURE 11-11) SINGLE SPEED TRANSMISSION

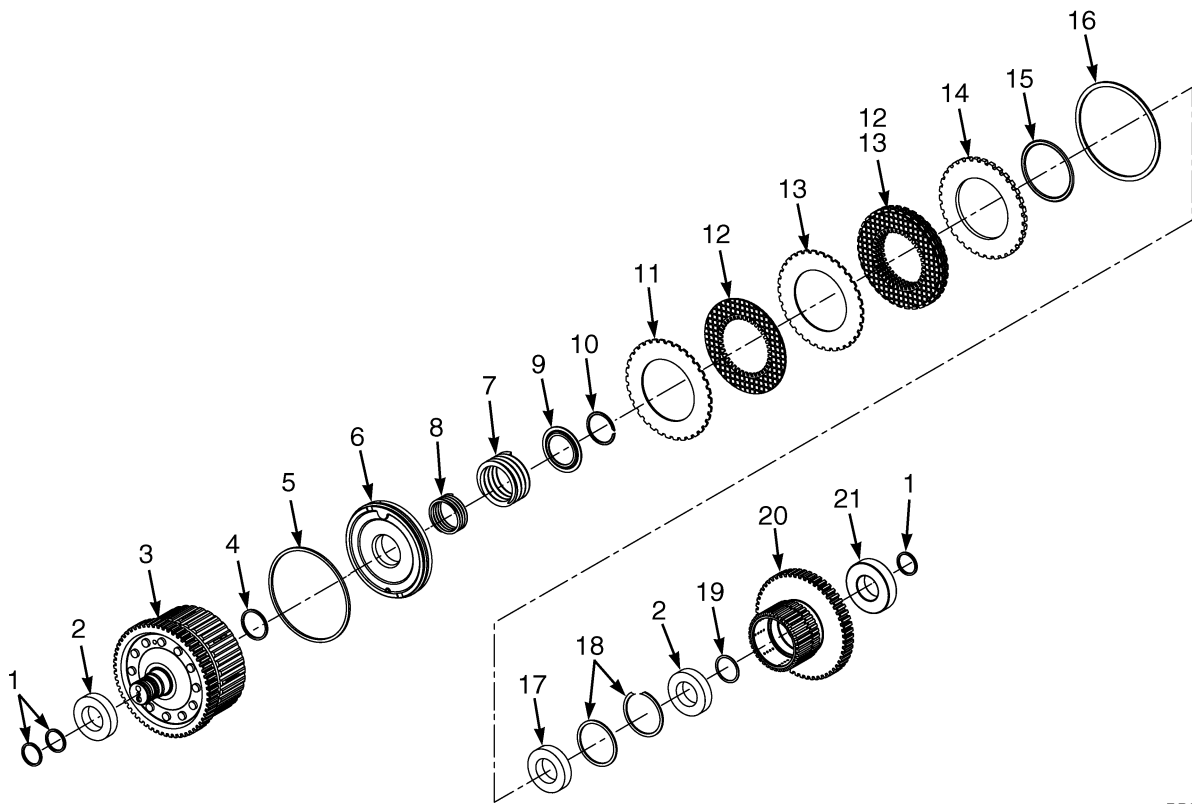


BP240240

**INPUT/FORWARD CLUTCH  
SINGLE SPEED TRANSMISSION**

ITEM	PART NO.	DESCRIPTION	QTY
	1676323	Clutch Pack .....	1
1	.....	Ring Seal .....	3
2	4025477	Ball Bearing .....	2
3	4053208	Shaft .....	1
4	.....	Ring Seal .....	1
5	.....	Ring Seal .....	1
6	2085129	Piston .....	1
7	1581108	Spring .....	1
8	1581098	Spring .....	1
9	1581099	Spring Guide .....	1
10	1581100	Snap Ring .....	1
11	.....	Conical Plate .....	1
12	.....	Friction Plate .....	5
13	.....	Separator Plate .....	4
14	1537449	Pressure Plate (6.0 mm) .....	1
15	.....	O-Ring .....	1
16	1537450	Snap Ring .....	1
17	124603	Ball Bearing .....	1
18	1581107	Snap Ring .....	1
19	4007889	Clutch Gear .....	1
20	1537459	Snap Ring .....	1
21	43207	Ball Bearing .....	1
	1543102	Kit-Clutch Pack Plates .....	1
	1595425	Kit-Clutch Pack Seals .....	1

## COUNTER/REVERSE CLUTCH (FIGURE 11-12) SINGLE SPEED TRANSMISSION

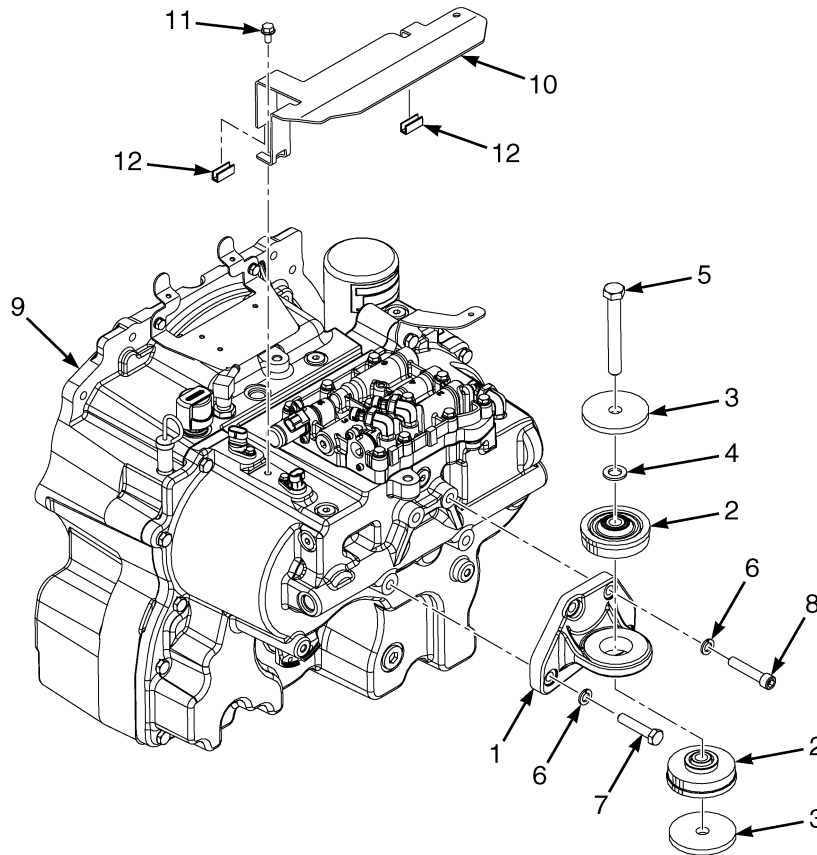


BP240099

**COUNTER/REVERSE CLUTCH  
SINGLE SPEED TRANSMISSION**

ITEM	PART NO.	DESCRIPTION	QTY
	1676324	Clutch Pack .....	1
1	.....	Seal .....	3
2	4025477	Ball Bearing .....	2
3	4007888	Shaft .....	1
4	.....	Seal .....	1
5	.....	Seal .....	1
6	2085129	Piston .....	1
7	1581108	Spring .....	1
8	1581098	Spring .....	1
9	1581099	Spring Guide .....	1
10	1581100	Snap Ring .....	1
11	.....	Conical Plate .....	1
12	.....	Friction Plate .....	5
13	.....	Separator Plate .....	4
14	1543094	Pressure Plate (5.8 mm) .....	1
15	.....	O-Ring .....	1
16	1537450	Snap Ring .....	1
17	124603	Ball Bearing .....	1
18	1581107	Snap Ring .....	1
19	1537459	Snap Ring .....	1
20	4007889	Clutch Gear .....	1
21	43207	Ball Bearing .....	1
	1543102	Kit-Clutch Pack Plates .....	1
	1595425	Kit-Clutch Pack Seals .....	1

## TRANSMISSION MOUNT (FIGURE 11-13) DUAL SPEED



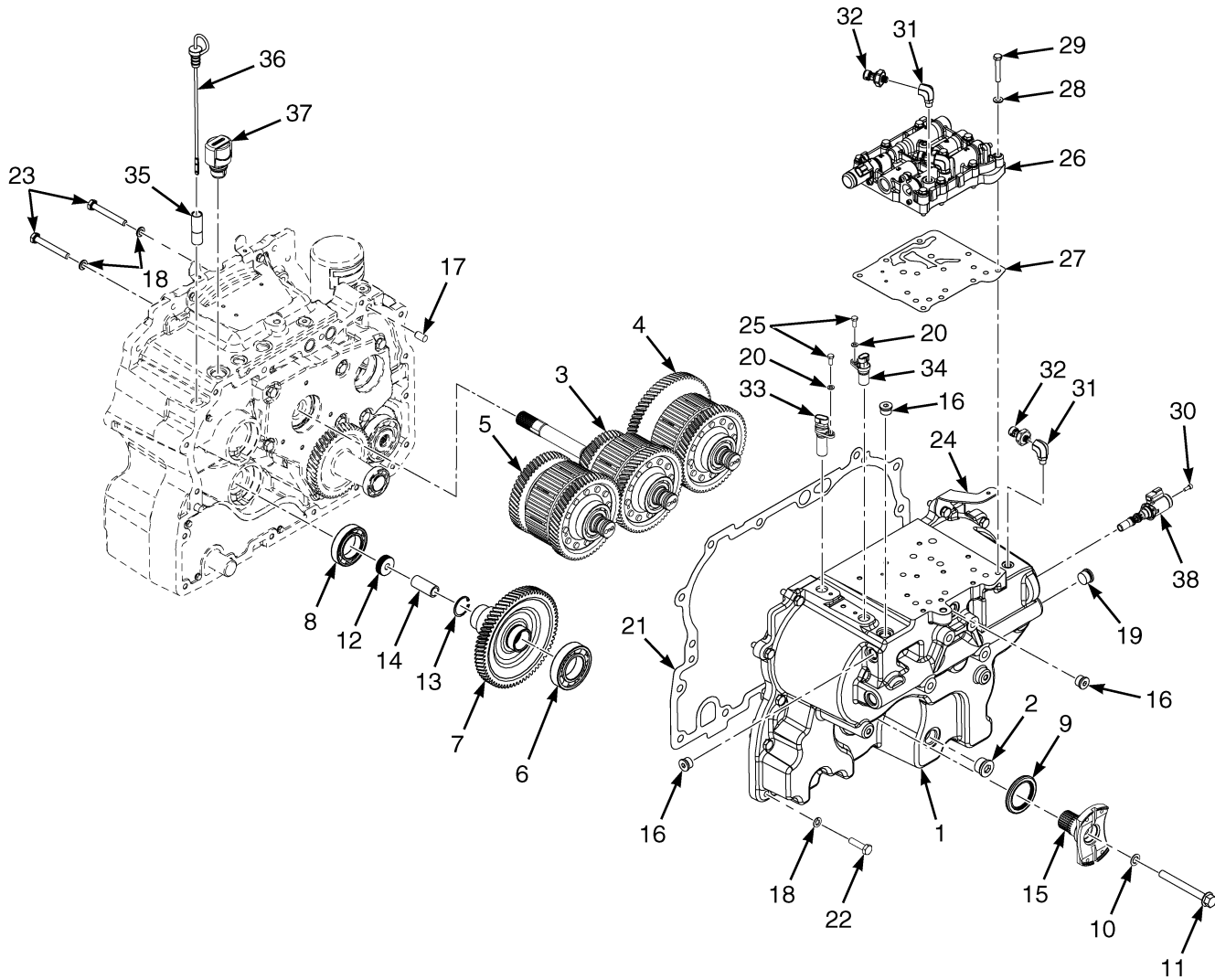
BP240236

ITEM	PART NO.	DESCRIPTION	QTY
1	1501274	Bracket .....	1
2	2070147	Isolator .....	2
3	4085524	Washer .....	2
4	320165	Washer .....	1
5	293697	Capscrew .....	1
6	292683	Lockwasher .....	4
7	292531	Capscrew .....	3
8	296047	Capscrew .....	1
9	4077730	Transmission Assy (With 12cc/REV Charge Pump) (☞ Figure 11-14, ☞ Figure 11-15).....	1
10	4092328	Shield .....	1
11	4109993	Capscrew .....	1
12	1380849	Edge Protector .....	2
	264134	Loctite .....	AR





## TRANSMISSION (FIGURE 11-14) CAST IRON WITH DUAL SPEED, WET BRAKE — SHEET 1 OF 2

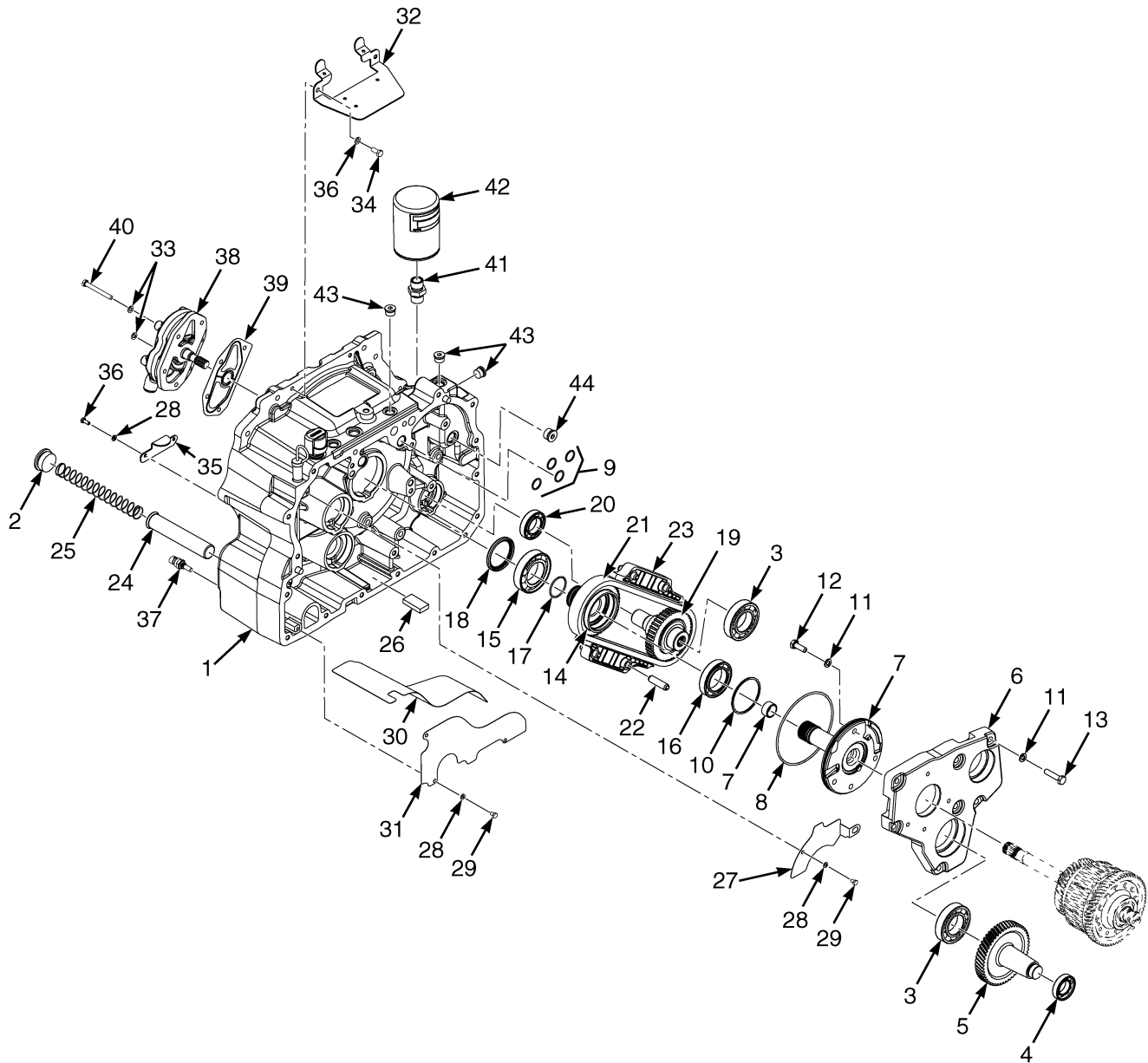


BP240257

**TRANSMISSION**  
**CAST IRON WITH DUAL SPEED, WET BRAKE – SHEET 1 OF 2**

ITEM	PART NO.	DESCRIPTION	QTY
	4077730	Transmission Assy (Two Speed-Low Pressure) .....	1
1	1636630	Transmission Housing .....	1
2	222444	Fitting .....	1
2	16486	O-Ring .....	1
3	1646881	Clutch Pack (Input/Forward-Low) (☞Figure 11-18).....	1
4	1646882	Clutch Pack (Forward-High) (☞Figure 11-16).....	1
5	1646883	Clutch Pack (Counter/Reverse) (☞Figure 11-12).....	1
6	43209	Ball Bearing .....	1
7	1638793	Gear (Output) .....	1
8	44309	Ball Bearing .....	1
9	1547447	Oil Seal .....	1
10	86229	Seal .....	1
11	1654651	Flange Head Capscrew .....	1
12	1525686	Nut .....	1
13	213099	Snap Ring .....	1
14	1636645	Spacer .....	1
15	1653754	Yoke .....	1
16	235691	Fitting .....	3
17	303150	Dowel .....	4
18	292682	Lockwasher .....	17
19	233693	Fitting .....	1
19	16485	O-Ring .....	1
20	292680	Washer .....	2
21	1636640	Gasket .....	1
22	292515	Capscrew .....	15
23	292522	Capscrew .....	2
24	1652575	Bracket .....	1
25	292500	Capscrew .....	2
26	1665205	Valve (Low Pressure) (☞Figure 11-19).....	1
27	1570360	Gasket .....	1
28	320157	Washer .....	11
29	292509	Capscrew .....	11
30	293741	Capscrew .....	2
31	1545546	Fitting .....	1
32	2070263	Pressure Transducer .....	1
33	1541232	Sensor (Output Speed, TOSS) .....	1
34	1541231	Sensor (Input Speed, TISS) .....	1
35	1624406	Dipstick Tube .....	1
36	1624401	Dipstick .....	1
37	1632741	Breather .....	1
37	16486	O-Ring .....	1
38	1660500	Solenoid Valve (Proportional) .....	1
38	1650819	Kit-Seal .....	1

## TRANSMISSION (FIGURE 11-15) CAST IRON WITH DUAL SPEED, WET BRAKE — SHEET 2 OF 2

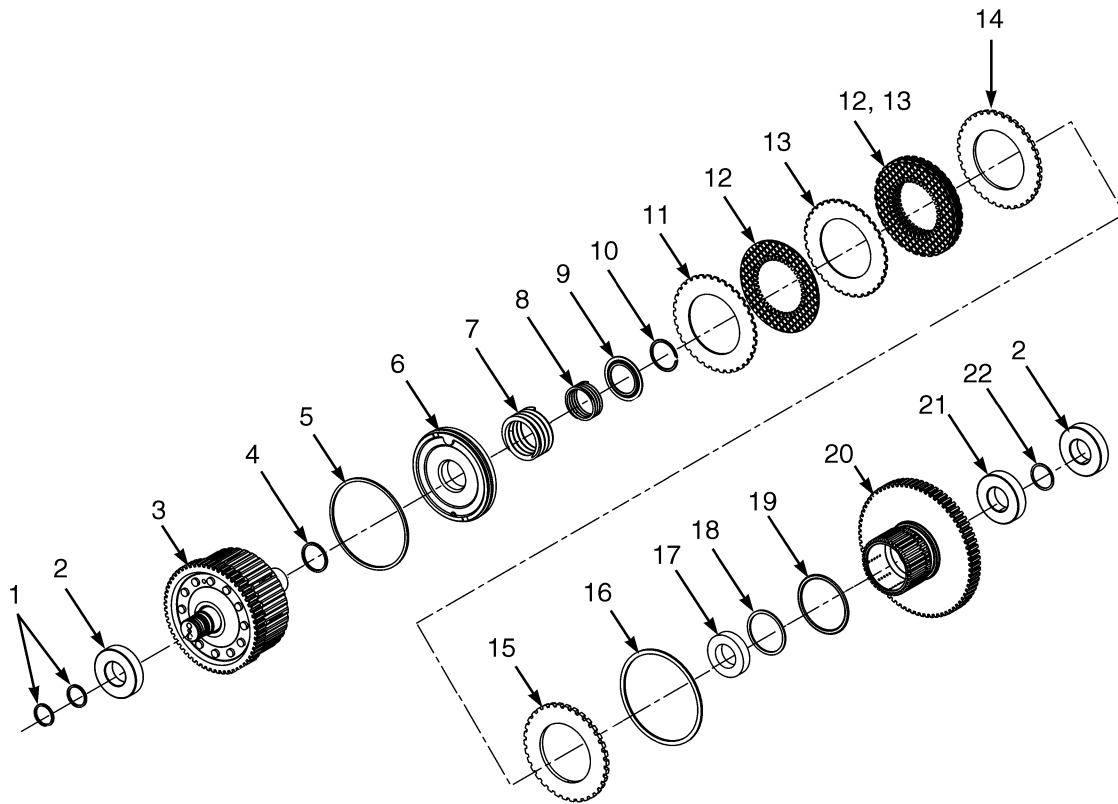


BP240258

**TRANSMISSION**  
**CAST IRON WITH DUAL SPEED, WET BRAKE – SHEET 2 OF 2**

ITEM	PART NO.	DESCRIPTION	QTY
	4077730	Transmission Assy (Two Speed Low Pressure) .....	1
1	4043361	Housing (Torque Converter) .....	1
2	188210	Fitting .....	1
2	16983	O-Ring .....	1
3	43209	Ball Bearing .....	2
4	44306	Ball Bearing .....	1
5	1585750	Gear (Idler) .....	1
6	1636626	Carrier .....	1
7	1525677	Stator .....	1
8	16682	O-Ring .....	1
9	1553403	O-Ring .....	4
10	1544218	Sealing Ring .....	1
11	292682	Lockwasher .....	11
12	136985	Capscrew .....	4
13	292516	Capscrew .....	7
14	1541556	Sprocket (Driving) .....	1
15	1544216	Bearing .....	1
16	44310	Ball Bearing .....	1
17	145481	O-Ring .....	1
18	1544217	Oil Seal (Torque Converter) .....	1
19	4010507	Sprocket .....	1
20	44307	Ball Bearing .....	1
21	1494750	Chain (Drive Pump) .....	1
22	303100	Roll Pin .....	4
23	1615804	Snubber .....	2
24	1627465	Screen .....	1
25	1550572	Spring .....	1
26	334560	Magnet .....	1
27	1624408	Shield (Upper) .....	1
28	292680	Washer .....	6
29	148962	Capscrew .....	4
30	1622887	Baffle .....	1
31	1627453	Shield (Lower) .....	1
32	4113407	Cover Plate .....	1
33	292681	Lockwasher .....	6
34	136681	Capscrew .....	2
35	1550567	Cover Plate .....	1
36	292500	Capscrew .....	2
37	1515654	Temperature Sensor .....	1
38	4626524	Charge Pump (12cc/REV) (☞ Figure 11-20).....	1
39	1653815	Gasket .....	1
40	293624	Capscrew .....	4
41	1558515	Fitting .....	1
42	4020588	Transmission Filter .....	1
43	235691	Fitting .....	5
44	233693	Fitting .....	1

## FORWARD CLUTCH, HIGH (FIGURE 11-16) DUAL SPEED TRANSMISSION

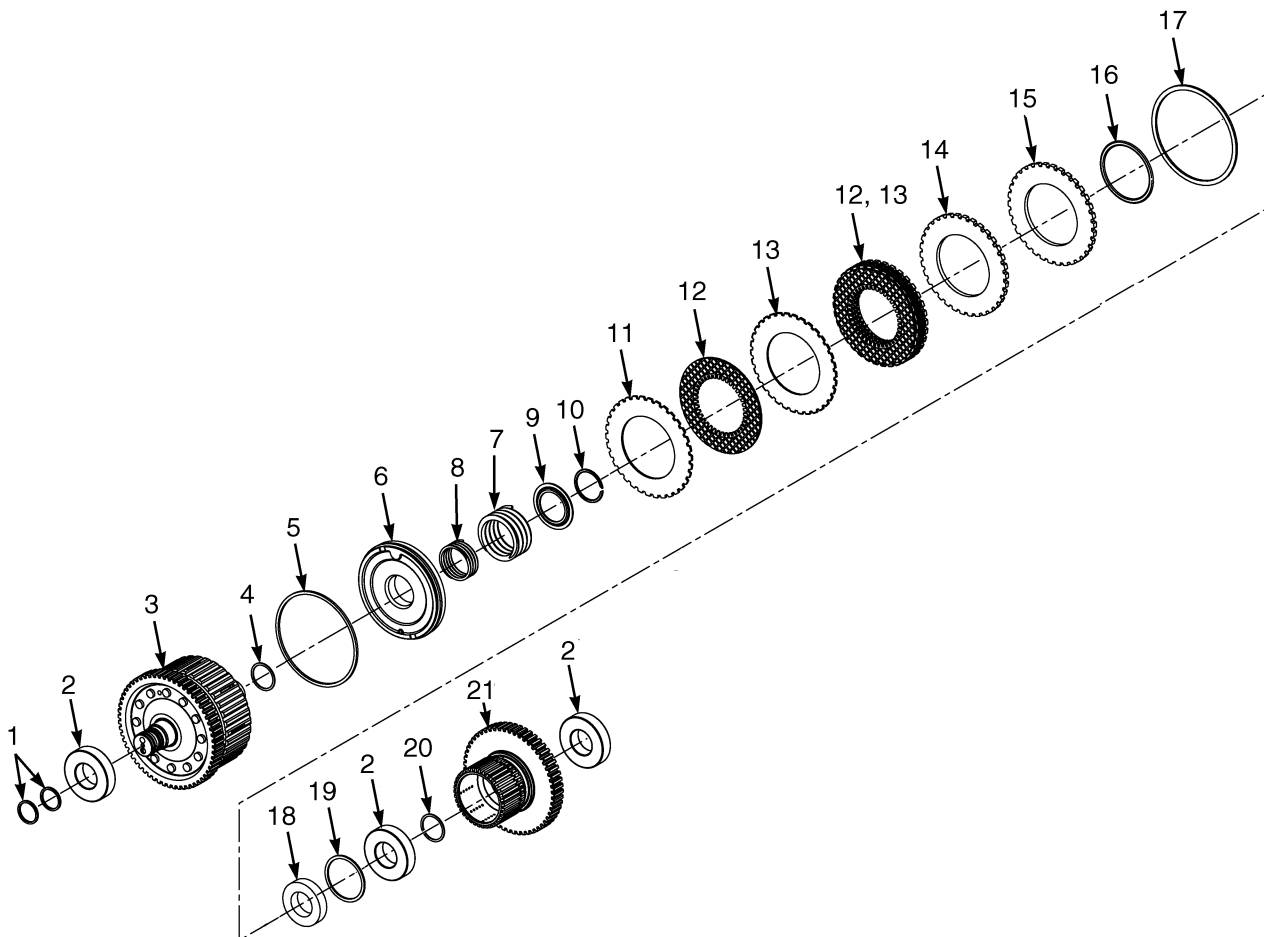


BP240104

**FORWARD CLUTCH, HIGH  
DUAL SPEED TRANSMISSION**

ITEM	PART NO.	DESCRIPTION	QTY
	1646882	Clutch Pack (Forward-High) .....	1
1	.....	Seal .....	3
2	1651753	Ball Bearing .....	2
3	4025479	Shaft .....	1
4	.....	Seal .....	1
5	.....	Seal .....	1
6	2085129	Piston .....	1
7	1581108	Spring .....	1
8	1581098	Spring .....	1
9	1581099	Spring Guide .....	1
10	1581100	Snap Ring .....	1
11	.....	Conical Plate .....	1
12	.....	Friction Plate .....	5
13	.....	Separator Plate .....	4
14	1537449	Pressure Plate (6.0 mm) .....	1
15	1581109	Backplate .....	1
16	1537450	Snap Ring .....	1
17	124603	Ball Bearing .....	1
18	1581107	Snap Ring .....	1
19	.....	Seal .....	1
20	1595430	Gear .....	1
21	43207	Ball Bearing .....	1
22	1537459	Snap Ring .....	1
	1543102	Kit-Clutch Pack Plates .....	1
	1595425	Kit-Clutch Pack Seals .....	1

## COUNTER/REVERSE CLUTCH (FIGURE 11-17) DUAL SPEED TRANSMISSION



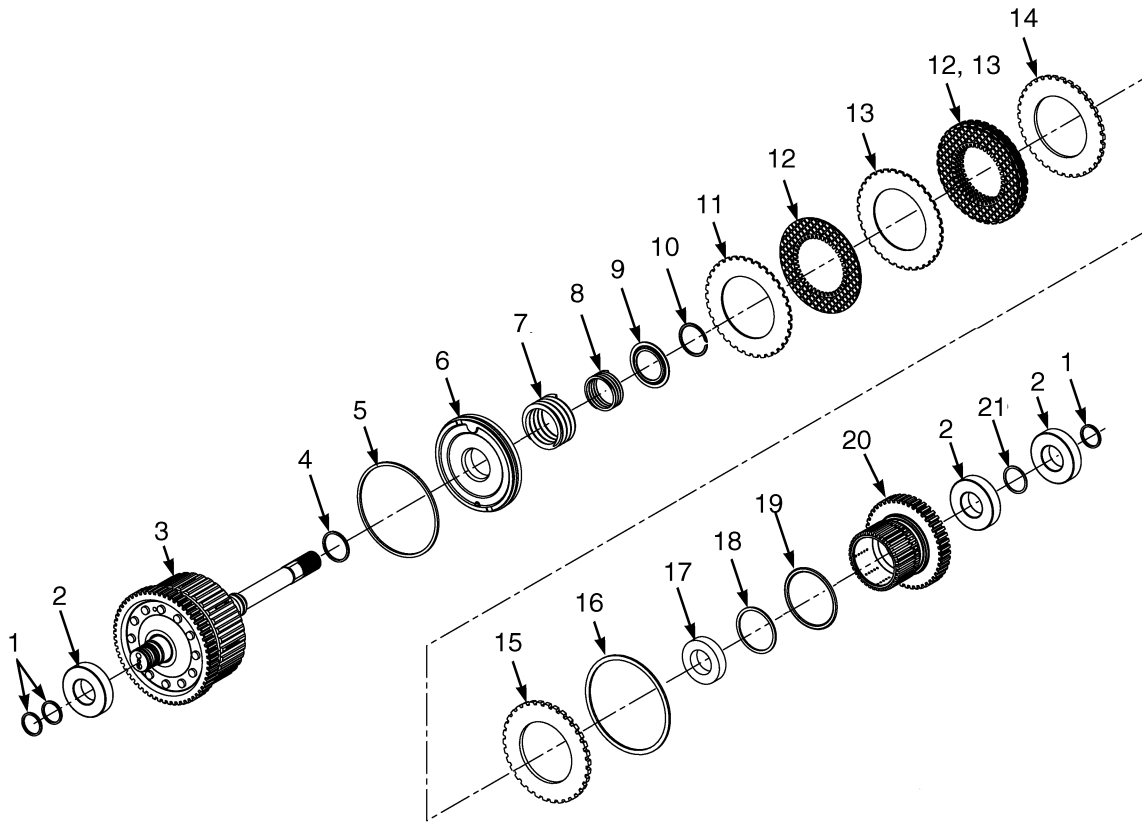
BP240102



**COUNTER/REVERSE CLUTCH  
DUAL SPEED TRANSMISSION**

ITEM	PART NO.	DESCRIPTION	QTY
	1646883	Clutch Pack (Counter/Reverse) .....	1
1	.....	Seal .....	3
2	43207	Ball Bearing .....	3
3	4025479	Shaft .....	1
4	.....	Seal .....	1
5	.....	Seal .....	1
6	2085129	Piston .....	1
7	1581108	Spring .....	1
8	1581098	Spring .....	1
9	1581099	Spring Guide .....	1
10	1581100	Snap Ring .....	1
11	.....	Conical Plate .....	1
12	.....	Friction Plate .....	5
13	.....	Separator Plate .....	4
14	1537449	Pressure Plate (6.0 mm) .....	1
15	1581109	Backplate .....	1
16	.....	Seal .....	1
17	1537450	Snap Ring .....	1
18	124603	Ball Bearing .....	1
19	1581107	Snap Ring .....	1
20	1537459	Snap Ring .....	1
21	1595429	Gear .....	1
	1543102	Kit-Clutch Pack Plates .....	1
	1595425	Kit-Clutch Pack Seals .....	1

## INPUT/FORWARD CLUTCH, LOW (FIGURE 11-18) DUAL SPEED TRANSMISSION

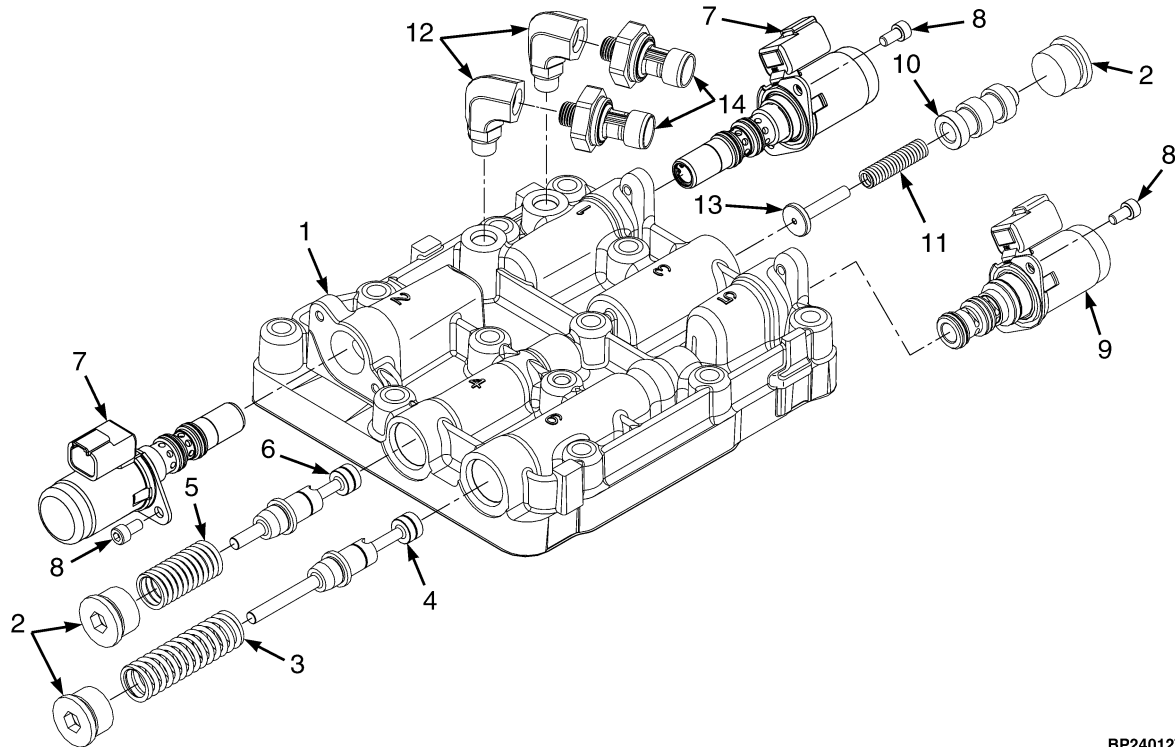


BP240103

**INPUT/FORWARD CLUTCH, LOW  
DUAL SPEED TRANSMISSION**

ITEM	PART NO.	DESCRIPTION	QTY
	1646881	Clutch Pack (Input/Forward-Low) .....	1
1	.....	Seal .....	3
2	43207	Ball Bearing .....	3
3	4025478	Shaft .....	1
4	.....	Seal .....	1
5	.....	Seal .....	1
6	2085129	Piston .....	1
7	1581108	Spring .....	1
8	1581098	Spring .....	1
9	1581099	Spring Guide .....	1
10	1581100	Snap Ring .....	1
11	.....	Conical Plate .....	1
12	.....	Friction Plate .....	5
13	.....	Separator Plate .....	4
14	1537449	Pressure Plate (6.0 mm) .....	1
15	1581109	Backplate .....	1
16	1537450	Snap Ring .....	1
17	124603	Ball Bearing .....	1
18	1581107	Snap Ring .....	1
19	.....	Seal .....	1
20	1595428	Gear .....	1
21	1537459	Snap Ring .....	1
	1543102	Kit-Clutch Pack Plates .....	1
	1595425	Kit-Clutch Pack Seals .....	1

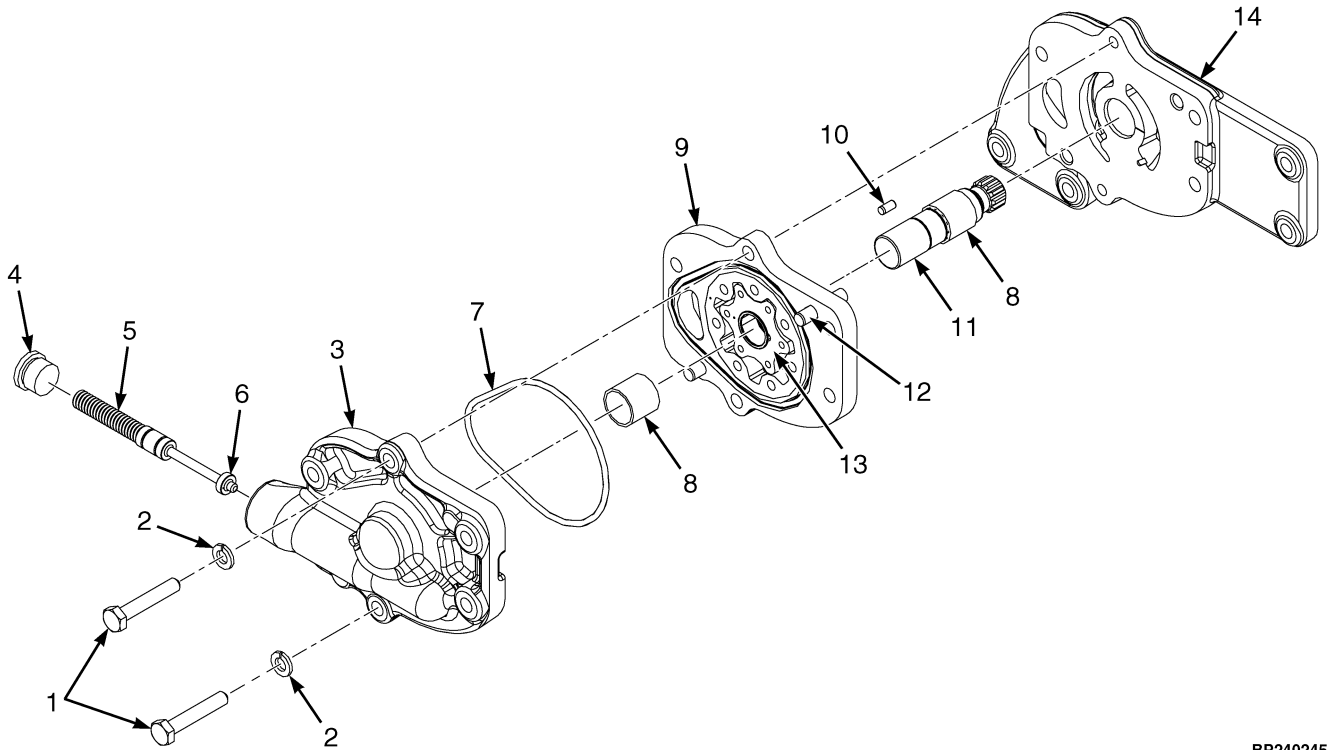
## CONTROL VALVE ASSEMBLY (FIGURE 11-19) LOW PRESSURE



BP240127

ITEM	PART NO.	DESCRIPTION	QTY
	1665205	Valve (Low Pressure) .....	1
1	.....	Body .....	1
2	233693	Fitting .....	3
2	16485	O-Ring .....	1
3	1550561	Spring .....	1
4	1610746	Spool .....	1
5	1514138	Spring .....	1
6	1544759	Spool .....	1
7	1660500	Solenoid Valve .....	2
7	1650819	Kit-Seal .....	1
8	293741	Capscrew .....	6
9	1520660	Solenoid (Transmission Enable Valve) .....	1
10	1590865	Spool (Cut-Off) .....	1
11	1590866	Return Spring .....	1
12	1545546	Fitting .....	2
13	1590839	Spool (Stop) .....	1
14	2070263	Pressure Transducer .....	2

**CHARGE PUMP ASSEMBLY (FIGURE 11-20)**



BP240245

ITEM	PART NO.	DESCRIPTION	QTY
	<b>b</b> 4614678	Charge Pump .....	1
	<b>a</b> 4626524	Charge Pump .....	1
1	293618	Capscrew .....	2
2	292681	Lockwasher .....	2
3	.....	Charge Pump Section (Basic Cover) .....	1
4	235691	Fitting .....	1
5	.....	Spring .....	1
6	.....	Spool .....	1
7	4027880	O-Ring .....	2
8	1703021	Bushing .....	2
9	.....	Housing .....	1
10	1703020	Pin .....	1
11	.....	Drive Shaft Pump .....	1
12	302374	Dowel .....	2
13	.....	Rotor .....	1
14	.....	Charge Pump Section (Base) .....	1

**FOOTNOTES:**

**a** Dual Speed

**b** Single Speed





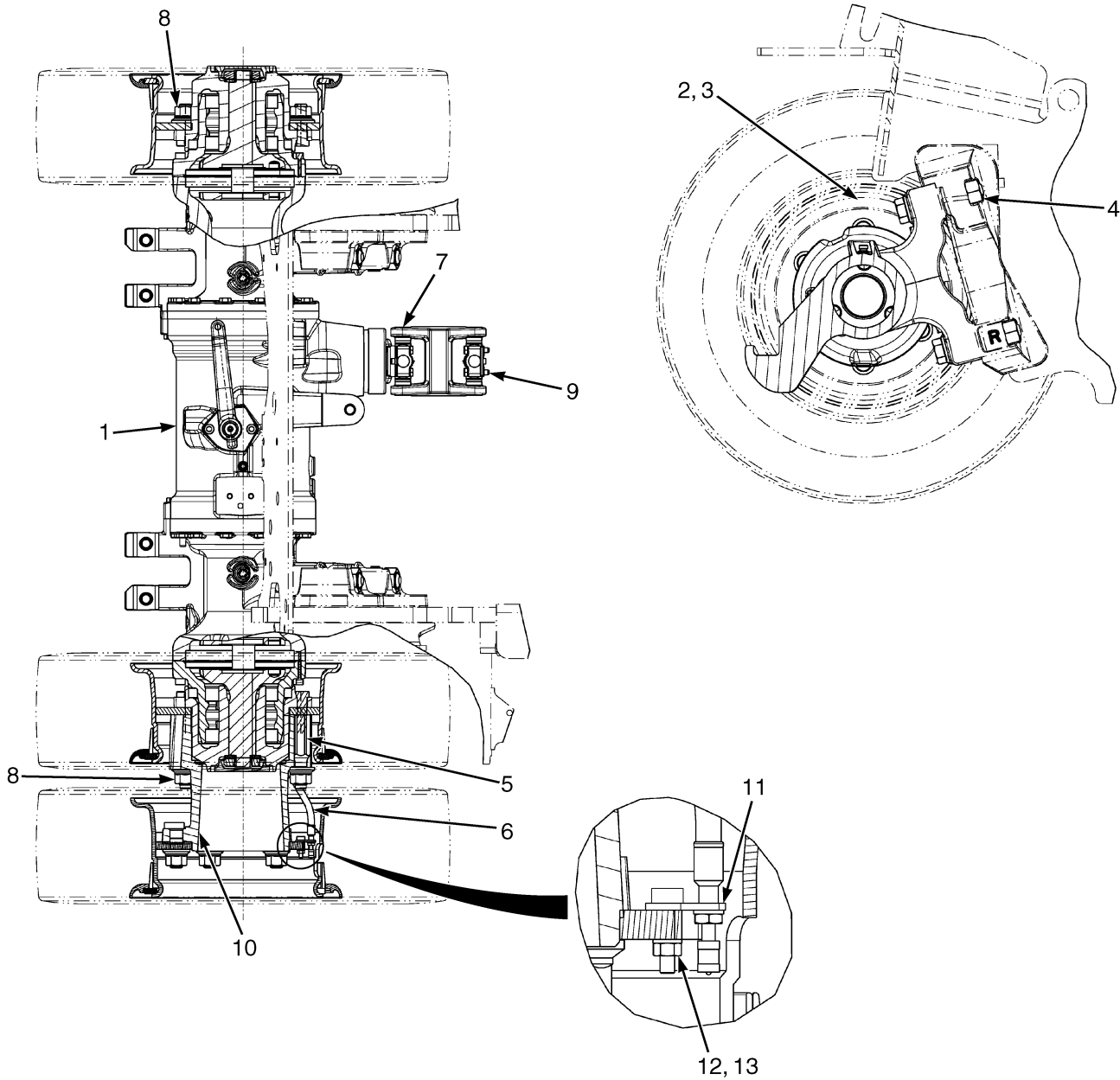




**SECTION 12  
DRIVE AXLE**

DESCRIPTION	PAGE
<b>DRIVE AXLE</b>	
DRY BRAKE - SHEET 1 OF 3 .....	12-16
DRY BRAKE - SHEET 2 OF 3 .....	12-18
DRY BRAKE - SHEET 3 OF 3 .....	12-20
DRY BRAKE - DIFFERENTIAL .....	12-22
WET BRAKE - SHEET 1 OF 6 .....	12-4
WET BRAKE - SHEET 2 OF 6 .....	12-6
WET BRAKE - SHEET 3 OF 6 .....	12-8
WET BRAKE - SHEET 4 OF 6 .....	12-10
WET BRAKE - SHEET 5 OF 6 .....	12-11
WET BRAKE - SHEET 6 OF 6 .....	12-12
<b>DRIVE AXLE AND ATTACHING PARTS</b>	
DRY BRAKE .....	12-14
WET BRAKE .....	12-2
<b>DRIVE TIRES AND WHEELS</b>	
RADIAL TIRE - TRELLEBORG .....	12-26
RADIAL TIRE - CONTINENTAL .....	12-28
RADIAL TIRE - DUAL WHEEL .....	12-30
SOLID .....	12-24
SOLID TIRE - DUAL WHEEL .....	12-25

## DRIVE AXLE AND ATTACHING PARTS (FIGURE 12-1) WET BRAKE



BP070188

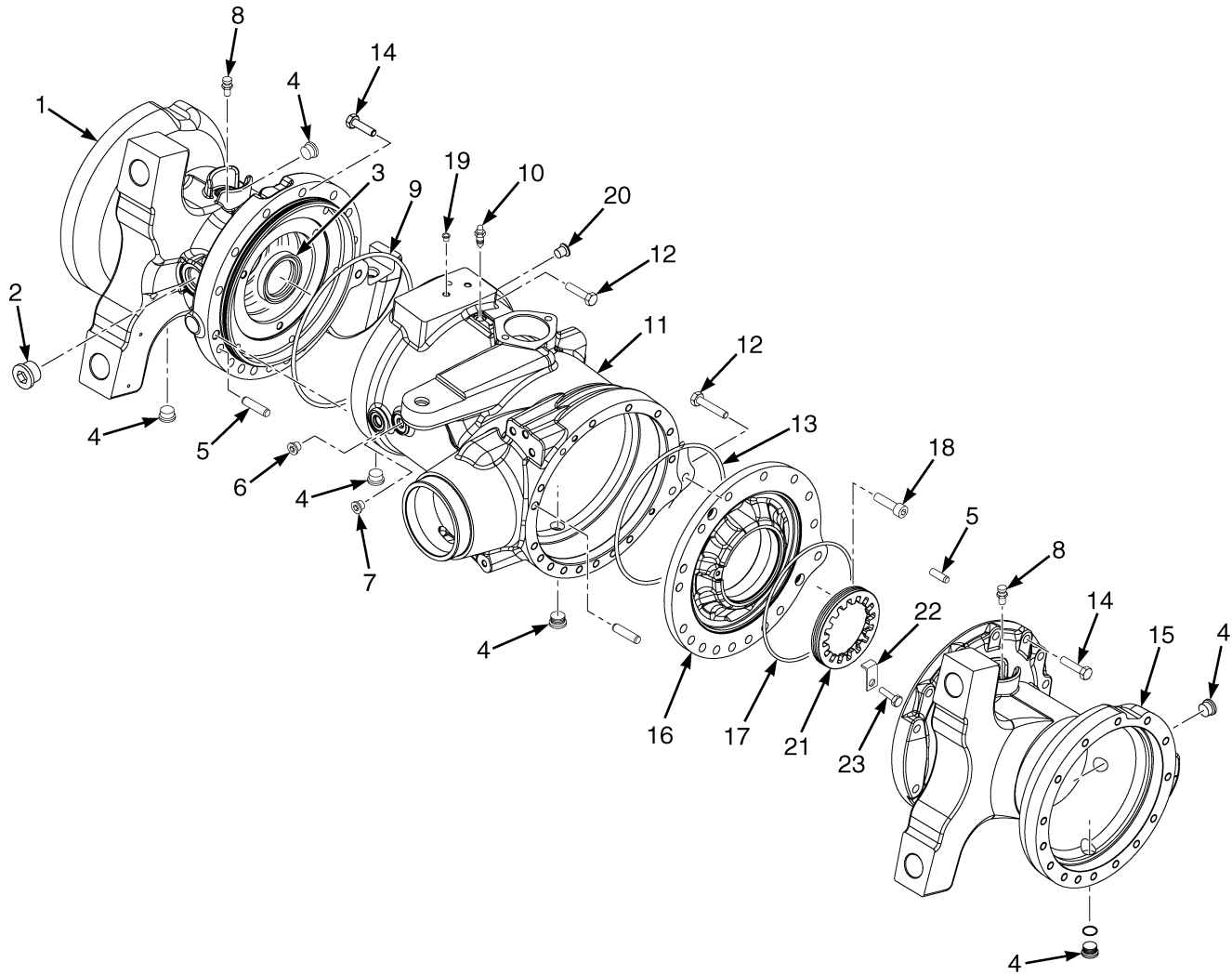
**DRIVE AXLE AND ATTACHING PARTS  
WET BRAKE****KEY:****A: Single Wheel****B: Dual Wheel**

ITEM	PART NO.	DESCRIPTION	QTY	
			A	B
1	<b>a</b> 4633063	Drive Axle (14.52 Overall Ratio) (☞Figure 12-2, ☞Figure 12-3, ☞Figure 12-4, ☞Figure 12-5, ☞Figure 12-6).....	1	1
1	<b>b</b> 4633065	Drive Axle (12.79 Overall Ratio) (☞Figure 12-2, ☞Figure 12-3, ☞Figure 12-4, ☞Figure 12-5, ☞Figure 12-6).....	1	1
2	296434	Washer .....	4	4
3	293733	Capscrew .....	4	4
4	292660	Nut .....	4	4
5	1545401	Stud (Adapter) .....	..	12
6	1583169	Extension (Valve) .....	..	2
7	293616	Capscrew .....	8	8
8	1537133	Wheel Nut .....	12	12
9	1600539	Drive Shaft .....	1	1
9	1566462	Universal Joint .....	2	2
9	1611535	Coupling .....	1	1
10	1613386	Wheel Hub (Dual Wheel) .....	..	2
10	1613383	Hub .....	..	1
10	1532337	Wheel Stud .....	..	6
10	1589867	Wheel Hub (☞Figure 12-7).....	2	..
10	1532337	Wheel Stud .....	6	..
11	1584690	Bracket .....	..	2
12	136687	Nut .....	..	2
13	292680	Washer .....	..	2

**FOOTNOTES:**

- a** PSI Engine 2.4L, Kubota 2.5L (LPG), Yanmar 2.6L (Single Speed)      **b** Yanmar 3.3L (Single Speed)

## DRIVE AXLE (FIGURE 12-2) WET BRAKE — SHEET 1 OF 6



BP070186

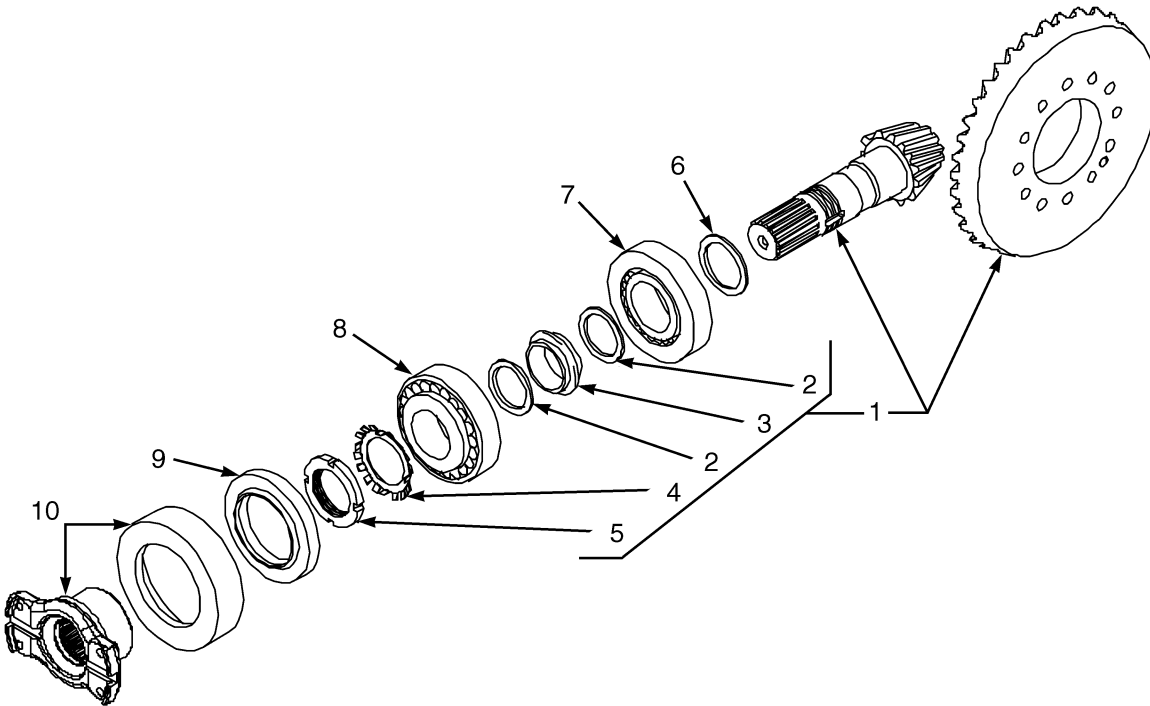
**DRIVE AXLE  
WET BRAKE – SHEET 1 OF 6**

ITEM	PART NO.	DESCRIPTION	QTY
	<b>a</b> 4633063	Drive Axle (14.52 Overall Ratio) .....	1
	<b>b</b> 4633065	Drive Axle (12.79 Overall Ratio) .....	1
1	4073332	Drive Axle Housing (LH) .....	1
2	1589790	Plug .....	1
3	1589814	Sealing Ring .....	1
4	4104388	Plug .....	6
5	1589793	Pin .....	2
6	1589796	Plug .....	1
7	1589797	Plug .....	1
8	4073333	Breather .....	2
9	1589798	O-Ring .....	1
10	1557383	Breather (Bleeder) .....	1
11	4104389	Drive Axle Housing (Center Section) .....	1
12	1589807	Bolt .....	2
13	1589801	O-Ring .....	1
14	1589806	Bolt .....	30
15	4073334	Drive Axle Housing (RH) .....	1
16	4073335	Support .....	1
17	1589805	O-Ring .....	1
18	1589808	Capscrew .....	2
19	1589809	Plug .....	1
20	1589810	Plug .....	3
21	1589811	Nut .....	1
22	1589812	Plate (Locking) .....	1
23	1589813	Bolt .....	1

**FOOTNOTES:**

- a** PSI Engine 2.4L, Kubota 2.5L (LPG), Yanmar 2.6L (Single Speed)      **b** Yanmar 3.3L (Single Speed)

## DRIVE AXLE (FIGURE 12-3) WET BRAKE — SHEET 2 OF 6



BP070020

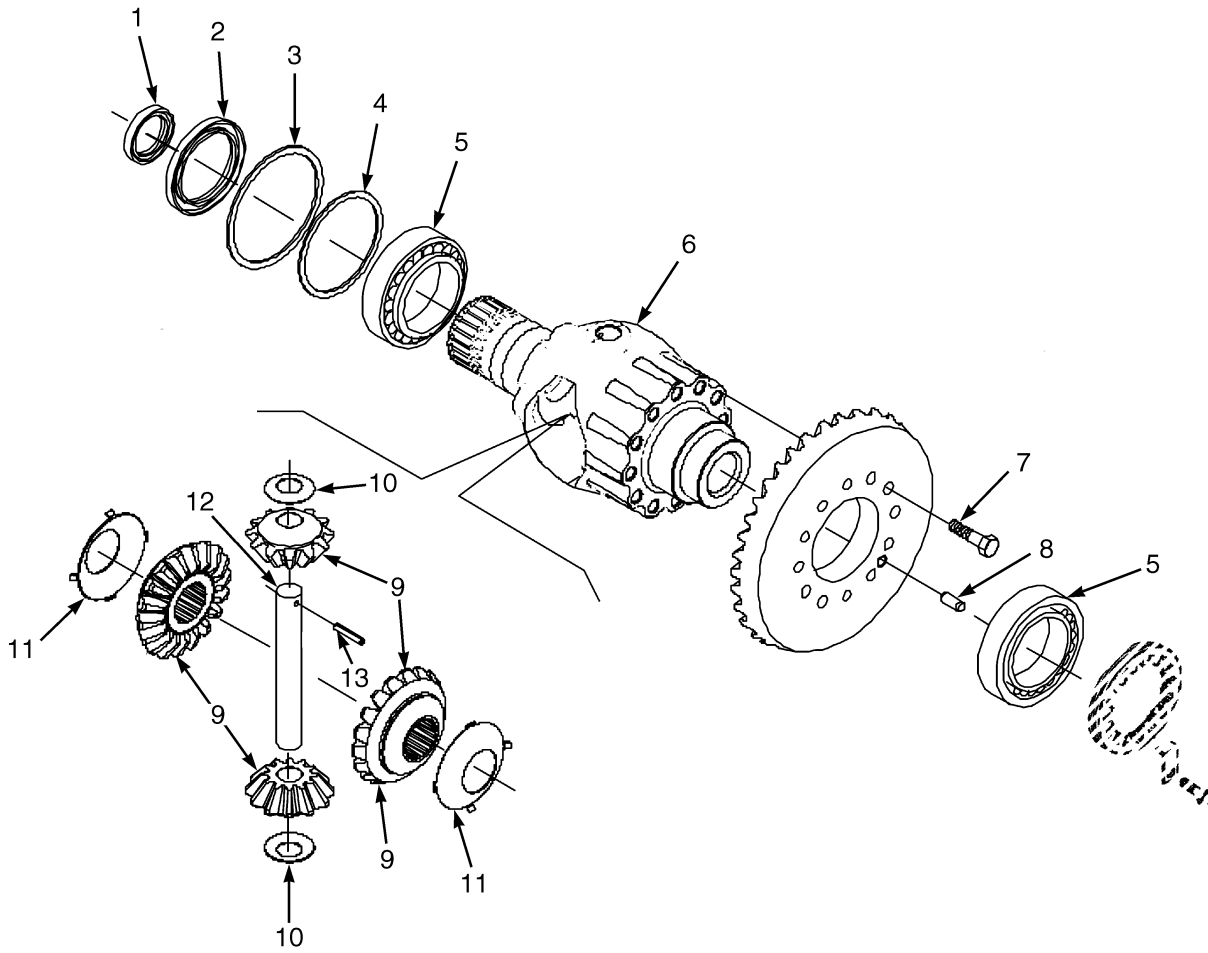
**DRIVE AXLE  
WET BRAKE – SHEET 2 OF 6**

ITEM	PART NO.	DESCRIPTION	QTY
	<b>a</b> 4633063	Drive Axle (14.52 Overall Ratio) .....	1
	<b>b</b> 4633065	Drive Axle (12.79 Overall Ratio) .....	1
1	1590206	Kit-Gear and Pinion (14.52 Overall Ratio) .....	1
1	1590204	Kit-Gear and Pinion (12.79 Overall Ratio) .....	1
2	1589816	Washer .....	2
3	1589817	Spacer .....	1
4	1589818	Washer .....	1
5	1589819	Nut .....	1
6	4073346	Shim (1.6mm) .....	AR
6	4073347	Shim (1.7mm) .....	AR
6	4073348	Shim (1.8mm) .....	AR
6	4073349	Shim (1.9 mm) .....	AR
6	1589820	Shim (2.0 mm) .....	AR
6	1589821	Shim (2.1 mm) .....	AR
6	1589822	Shim (2.2 mm) .....	AR
6	1589823	Shim (2.3 mm) .....	AR
6	1589824	Shim (2.4 mm) .....	AR
6	1589825	Shim (2.5 mm) .....	AR
6	1589826	Shim (2.6 mm) .....	AR
6	1589827	Shim (2.7 mm) .....	AR
6	1589828	Shim (2.8 mm) .....	AR
7	1589829	Bearing .....	1
8	1589830	Bearing .....	1
9	1589831	Sealing Ring .....	1
10	1589832	Flange (Input) .....	1

**FOOTNOTES:**

- a** PSI Engine 2.4L, Kubota 2.5L (LPG), Yanmar 2.6L (Single Speed)      **b** Yanmar 3.3L (Single Speed)

## DRIVE AXLE (FIGURE 12-4) WET BRAKE — SHEET 3 OF 6



BP070022



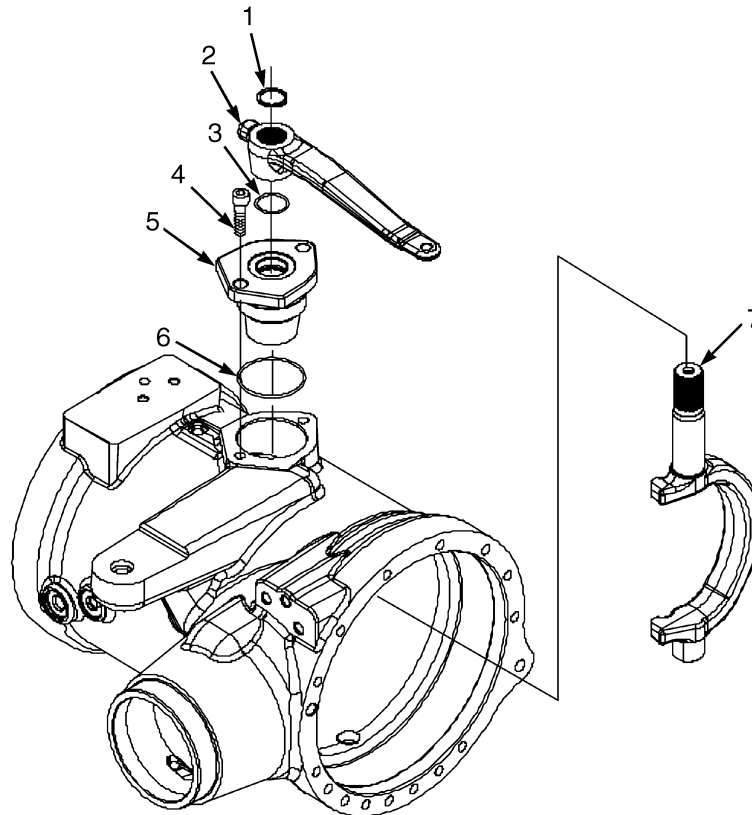
**DRIVE AXLE  
WET BRAKE – SHEET 3 OF 6**

ITEM	PART NO.	DESCRIPTION	QTY
	<b>a</b> 4633063	Drive Axle (14.52 Overall Ratio) .....	1
	<b>b</b> 4633065	Drive Axle (12.79 Overall Ratio) .....	1
1	1589833	Sealing Ring .....	1
2	1589834	Sealing Ring .....	1
3	1610522	Spacer .....	1
4	1589835	Shim (0.5 mm) .....	AR
4	1589836	Shim (0.3 mm) .....	AR
4	1589837	Shim (0.1 mm) .....	AR
4	1589838	Shim (0.05 mm) .....	AR
5	1557445	Bearing .....	2
6	1589839	Differential Housing .....	1
7	1589840	Bolt .....	12
8	1589841	Pin .....	1
9	1589842	Gear Set .....	1
10	1589843	Thrust Washer .....	2
11	1589844	Thrust Washer .....	2
12	1589845	Drive Shaft .....	1
13	1589846	Dowel .....	1

**FOOTNOTES:**

- a** PSI Engine 2.4L, Kubota 2.5L (LPG), Yanmar 2.6L (Single Speed)      **b** Yanmar 3.3L (Single Speed)

## DRIVE AXLE (FIGURE 12-5) WET BRAKE — SHEET 4 OF 6



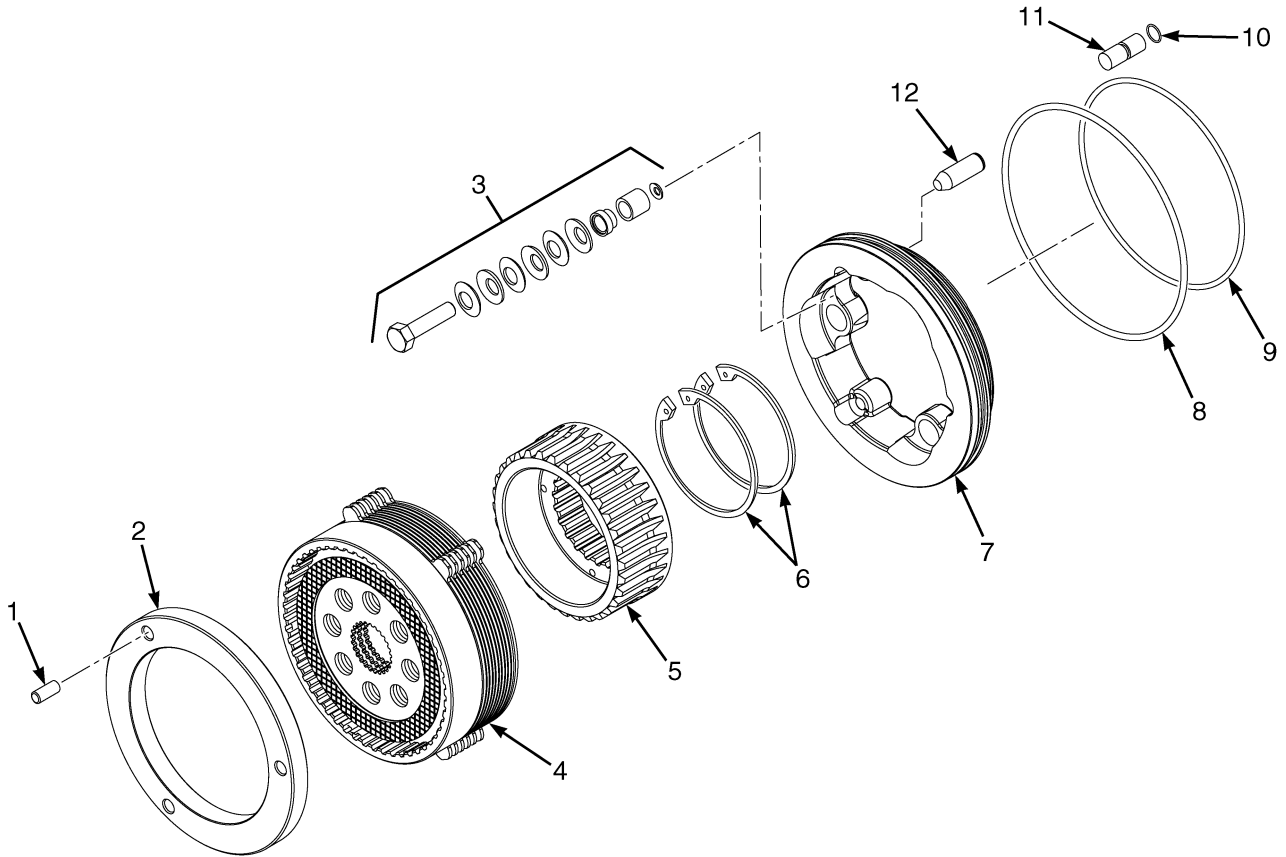
BP070023

ITEM	PART NO.	DESCRIPTION	QTY
	<b>a</b> 4633063	Drive Axle (14.52 Overall Ratio) .....	1
	<b>b</b> 4633065	Drive Axle (12.79 Overall Ratio) .....	1
1	1589847	Snap Ring .....	1
2	1589848	Parking Brake Lever .....	1
3	39374	O-Ring .....	1
4	1589850	Bolt .....	2
5	1589851	Flange .....	1
6	39389	O-Ring .....	1
7	1589853	Shaft .....	1

### FOOTNOTES:

- a** PSI Engine 2.4L, Kubota 2.5L (LPG), Yanmar 2.6L (Single Speed)      **b** Yanmar 3.3L (Single Speed)

**DRIVE AXLE (FIGURE 12-6)  
WET BRAKE — SHEET 5 OF 6**

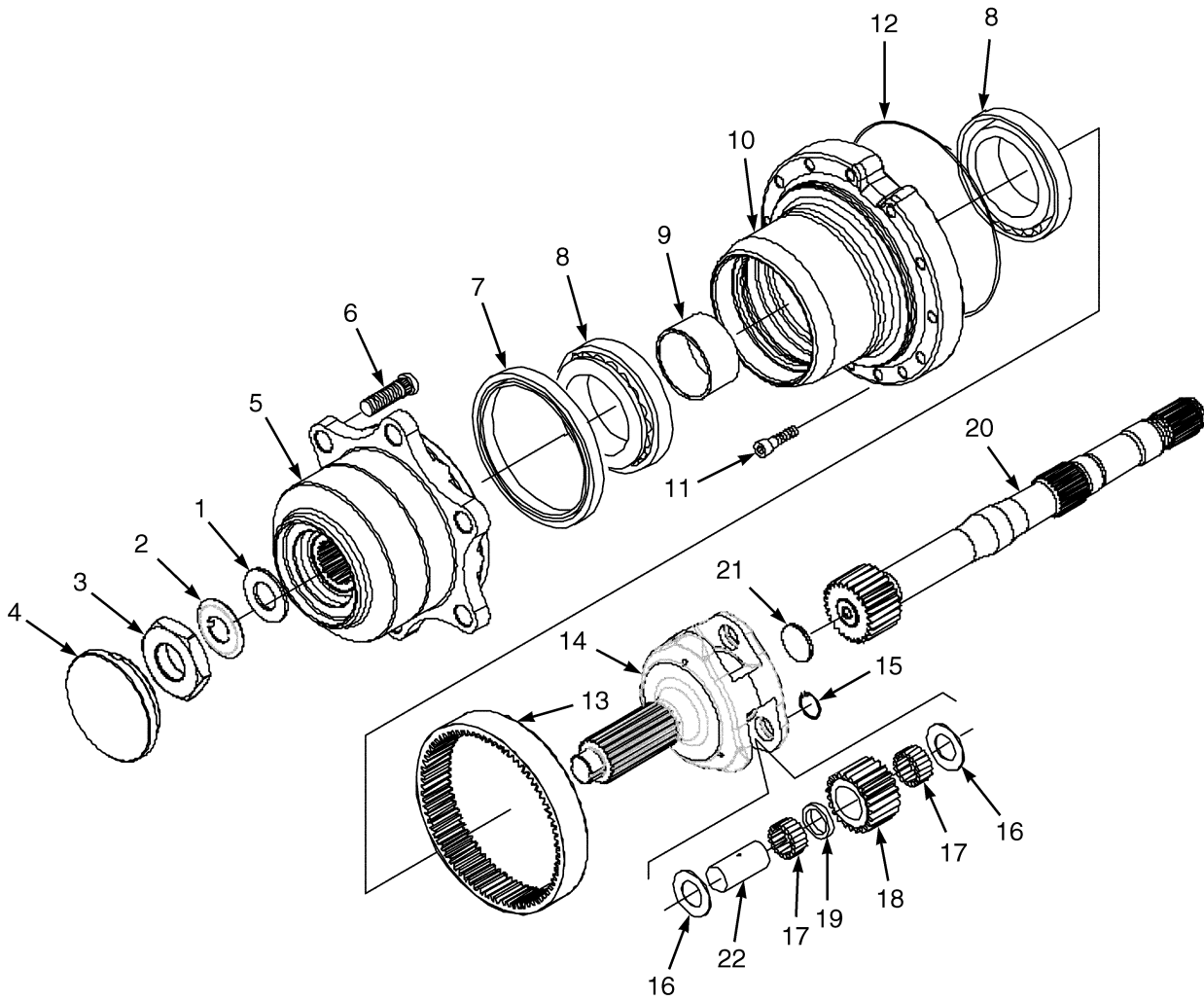


ITEM	PART NO.	DESCRIPTION	QTY
	<b>a</b> 4633063	Drive Axle (14.52 Overall Ratio) .....	1
	<b>b</b> 4633065	Drive Axle (12.79 Overall Ratio) .....	1
1	1610516	Pin .....	3
2	1610521	Drive Plate .....	1
3	1610510	Kit-Self Adjusting (Services All 3 Adjusters) .....	1
4	4052336	Brake Assy .....	1
5	1610512	Hub (Spline) .....	1
6	1610514	Snap Ring .....	2
7	4104395	Piston .....	1
8	1589857	O-Ring .....	1
9	1610508	O-Ring .....	1
10	1589860	O-Ring .....	2
11	1589861	Pin .....	2
12	4104405	Pin .....	3

**FOOTNOTES:**

- a** PSI Engine 2.4L, Kubota 2.5L (LPG), Yanmar 2.6L (Single Speed)      **b** Yanmar 3.3L (Single Speed)

## DRIVE AXLE (FIGURE 12-7) WET BRAKE — SHEET 6 OF 6



BP0700025

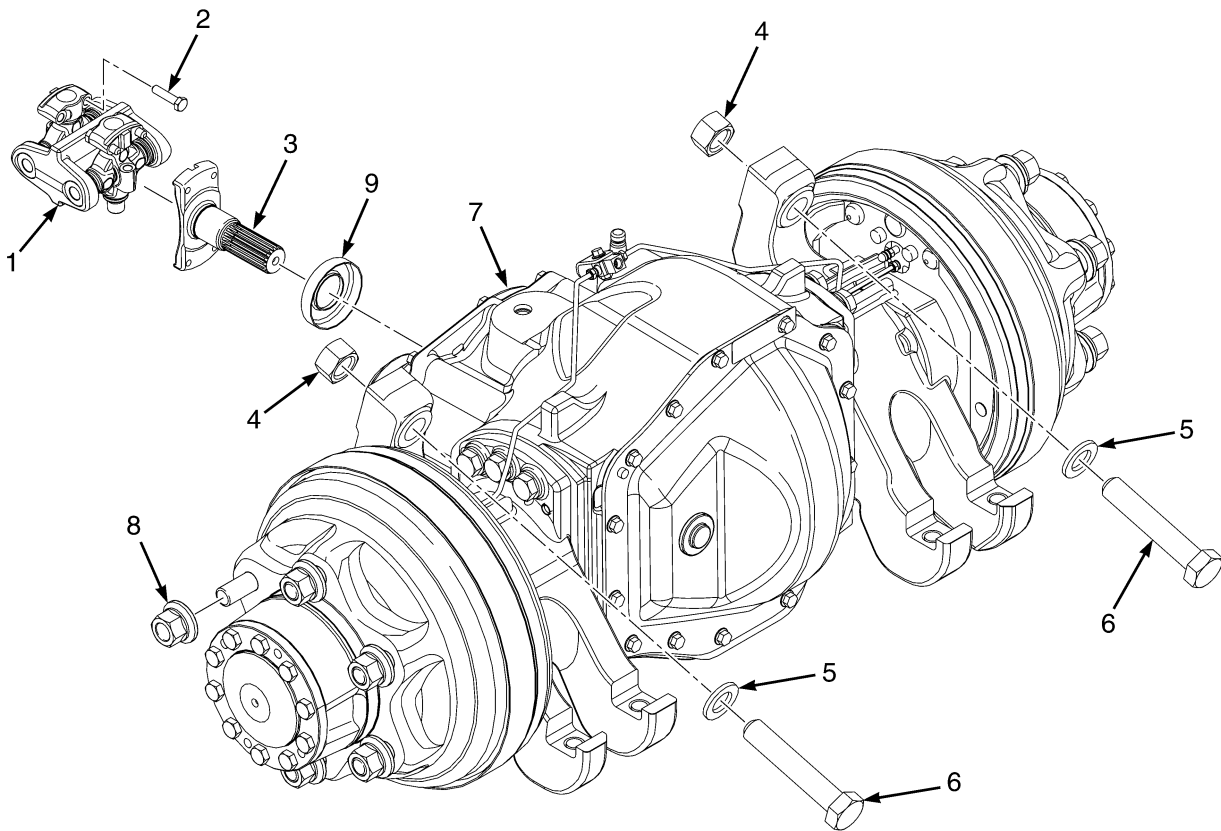
**DRIVE AXLE  
WET BRAKE – SHEET 6 OF 6**

ITEM	PART NO.	DESCRIPTION	QTY
	<b>a</b> 4633063	Drive Axle (14.52 Overall Ratio) .....	1
	<b>b</b> 4633065	Drive Axle (12.79 Overall Ratio) .....	1
1	1613375	Washer .....	2
2	1613376	Thrust Washer .....	2
3	1613377	Nut .....	2
4	1613378	Plug .....	2
5	1589867	Wheel Hub .....	2
6	1589868	Stud .....	6
7	1589869	Sealing Ring .....	2
8	1589870	Bearing (Outer) .....	2
8	4047385	Bearing (Inner) .....	2
9	1613380	Spacer .....	2
10	4073365	Support .....	2
11	1589873	Bolt .....	30
12	1589874	O-Ring .....	2
13	1589875	Ring Gear .....	2
14	1589876	Carrier .....	2
15	1613381	Snap Ring .....	6
16	1589878	Thrust Washer .....	12
17	1589879	Needle Bearing .....	28
18	1589880	Gear .....	6
19	1589881	Spacer .....	6
20	1589886	Axle Shaft (RH) .....	1
20	1589887	Axle Shaft (LH) .....	1
21	1613382	Washer .....	2
22	1589924	Shaft .....	3

**FOOTNOTES:**

- a** PSI Engine 2.4L, Kubota 2.5L (LPG), Yanmar 2.6L (Single Speed)      **b** Yanmar 3.3L (Single Speed)

## DRIVE AXLE AND ATTACHING PARTS (FIGURE 12-8) DRY BRAKE



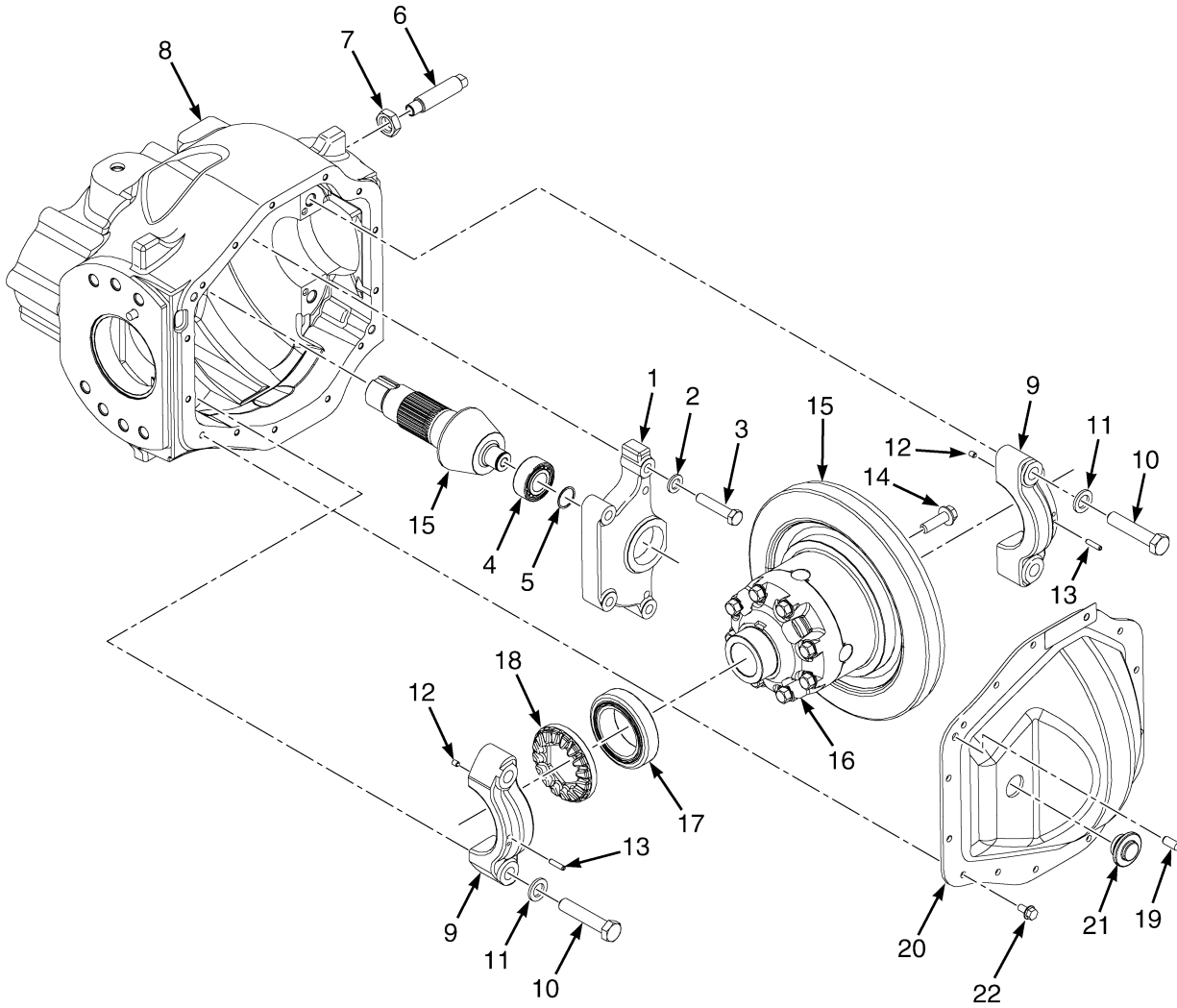
BP070133

**DRIVE AXLE AND ATTACHING PARTS  
DRY BRAKE**

ITEM	PART NO.	DESCRIPTION	QTY
1	1547757	Drive Shaft .....	1
2	293616	Capscrew .....	8
3	1517673	Shaft .....	1
4	292660	Nut .....	4
5	296434	Washer .....	4
6	293733	Capscrew .....	4
7	<b>b</b> 4624290	Drive Axle (2.17 Gear Ratio) (☞ Figure 12-9, ☞ Figure 12-10, ☞ Figure 12-11).....	1
7	<b>a</b> 4624291	Drive Axle (2.48 Gear Ratio) (☞ Figure 12-9, ☞ Figure 12-10, ☞ Figure 12-11).....	1
8	1537133	Wheel Nut .....	12
9	4000205	Dust Cover (Alternate Part) .....	1

**FOOTNOTES:****a** PSI and Kubota**b** Yanmar 3.3L

## DRIVE AXLE (FIGURE 12-9) DRY BRAKE — SHEET 1 OF 3



BP070134

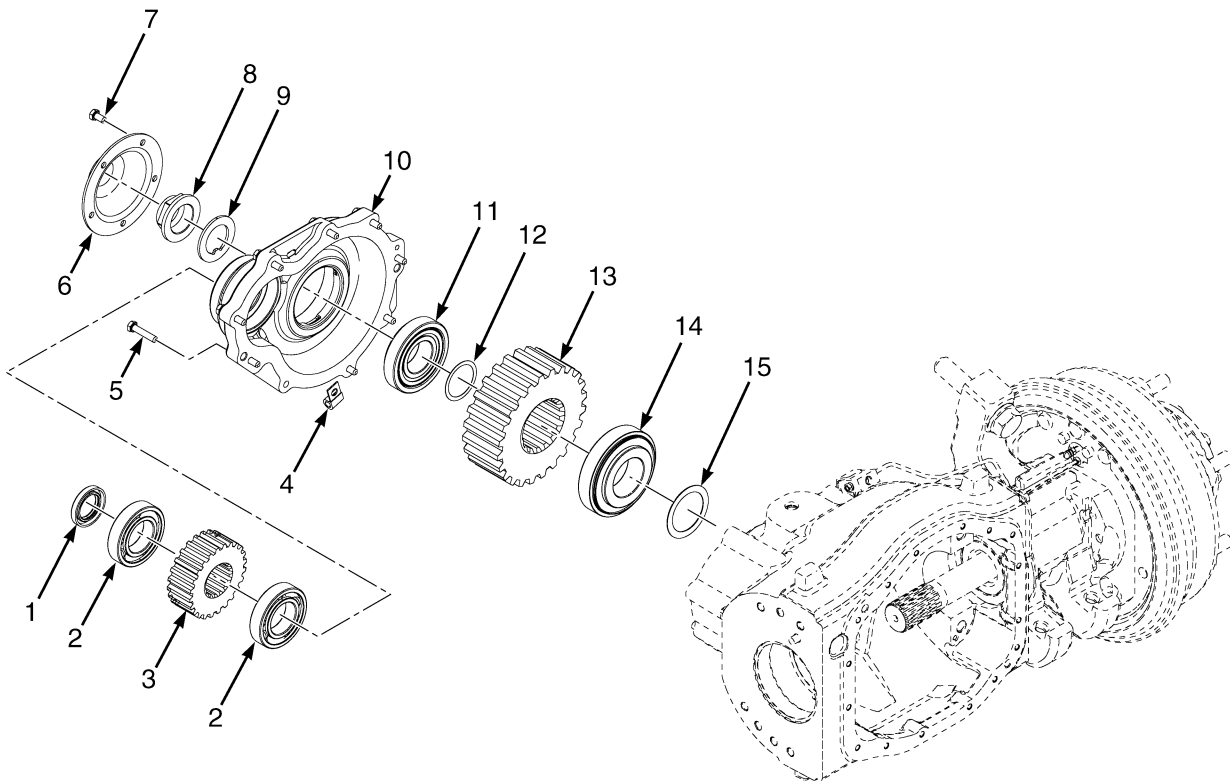


**DRIVE AXLE  
DRY BRAKE – SHEET 1 OF 3**

ITEM	PART NO.	DESCRIPTION	QTY
	<b>c</b> 4624290	Drive Axle (2.17 Gear Ratio) .....	1
	<b>b</b> 4624291	Drive Axle (2.48 Gear Ratio) .....	1
1	1512561	Support .....	1
2	296422	Washer .....	4
3	293651	Capscrew .....	4
4	135158	Bearing .....	1
5	320264	Snap Ring .....	1
6	1583732	Thrust Screw .....	1
7	296137	Nut .....	1
8	1656333	Drive Axle Housing (Center) .....	1
9	.....	Bearing Cap .....	2
10	293692	Capscrew .....	4
11	296426	Washer .....	4
12	234038	Dowel .....	4
13	15242	Cotter Pin .....	2
14	2029436	Bolt .....	14
15	2067965	Gear and Pinion (Hypoid) .....	1
16	2067962	Differential (☞ Figure 12-12).....	1
17	1375488	Bearing Set .....	2
17	2027661	Roller Bearing (Optional) .....	2
18	1652926	Retainer .....	2
19	302385	Dowel .....	7
20	1532735	Cover (Center) .....	1
21	1516075	Plug .....	1
22	4109993		
	1527879	Capscrew .....	15
	<b>a</b> 264159	Adhesive .....	AR
	<b>a</b> 383789	Thread Sealant .....	AR

**FOOTNOTES:****a** Not Illustrated**c** Yanmar 3.3L Diesel**b** PSI and Kubota LPG, Yanmar 2.6-3.0L Diesel

## DRIVE AXLE (FIGURE 12-10) DRY BRAKE — SHEET 2 OF 3



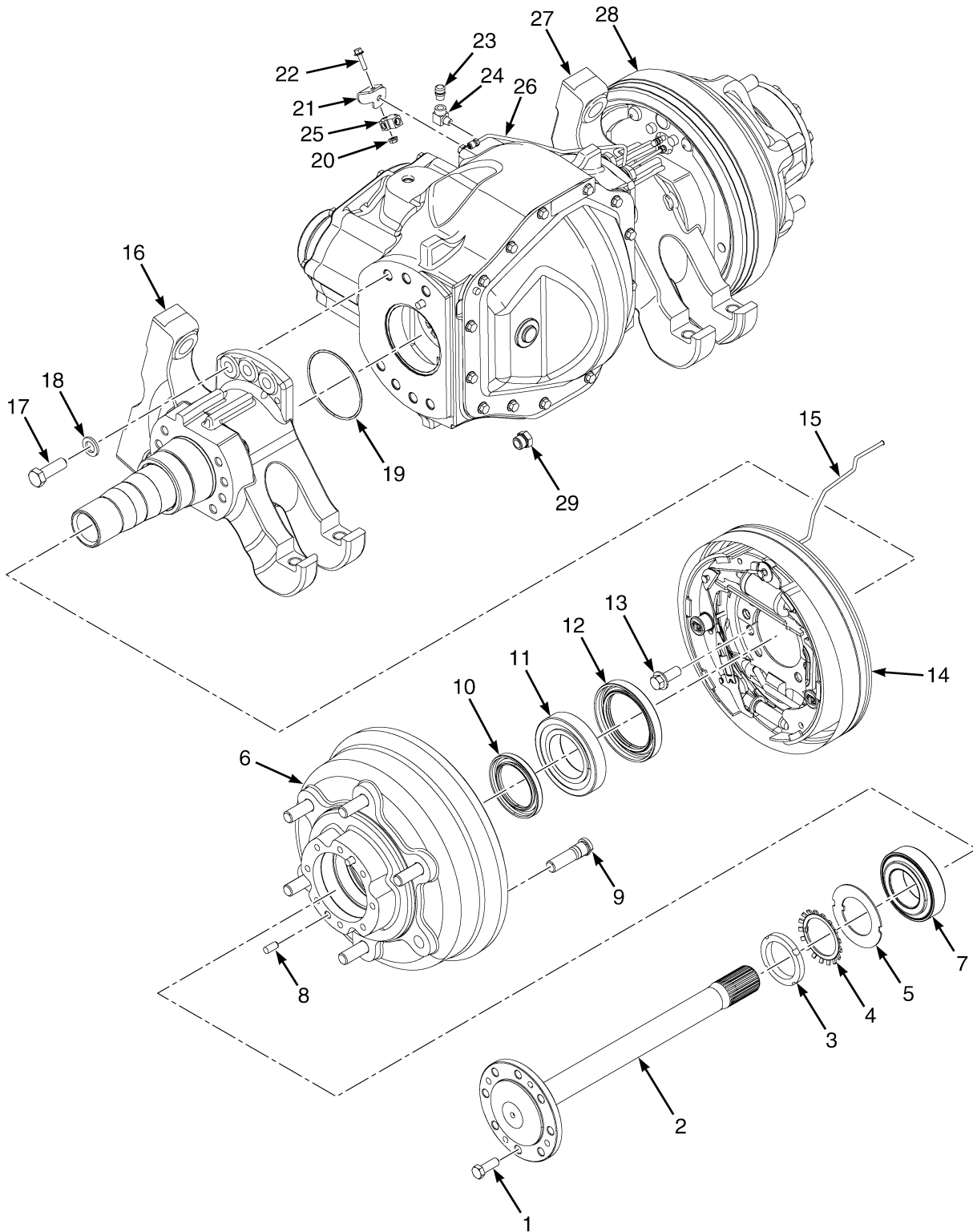
BP070135

**DRIVE AXLE  
DRY BRAKE – SHEET 2 OF 3**

ITEM	PART NO.	DESCRIPTION	QTY
	<b>b</b> 4624290	Drive Axle (2.17 Gear Ratio) .....	1
	<b>a</b> 4624291	Drive Axle (2.48 Gear Ratio) .....	1
1	1522377	Oil Seal .....	1
2	1523479	Ball Bearing .....	2
3	1517578	Gear (2.17 Gear Ratio) (Drive) .....	1
3	1516530	Gear (2.49 Gear Ratio) (Drive) .....	1
4	2075120	Clamp .....	2
4	164488	Clamp (Optional) .....	2
5	1510114	Capscrew .....	9
6	1516536	Cover (Pinion) .....	1
7	<del>4109993</del> 1527879	Capscrew .....	5
8	2026861	Nut .....	1
9	1530588	Washer .....	1
10	1516535	Housing .....	1
11	2022352	Tapered Roller Bearing .....	1
11	1578978	Tapered Roller Bearing (Optional) .....	1
12	1516335	Shim (0.50 mm) .....	AR
12	1516331	Shim (0.12 mm) .....	AR
12	1516332	Shim (0.15 mm) .....	AR
12	1516333	Shim (0.18 mm) .....	AR
12	1516334	Shim (0.25 mm) .....	AR
13	1517576	Gear (2.17 Gear Ratio) (Driven) .....	1
13	1516526	Gear (2.48 Gear Ratio) (Driven) .....	1
14	2028862	Tapered Roller Bearing .....	1
14	1578981	Tapered Roller Bearing .....	1
15	1520755	Shim (1.00 mm) .....	AR
15	1569912	Shim (0.20 mm) .....	AR
15	1569913	Shim (0.25 mm) .....	AR
15	1520752	Shim (0.30 mm) .....	AR
15	1569914	Shim (0.35 mm) .....	AR
15	1520753	Shim (0.40 mm) .....	AR
15	1569915	Shim (0.45 mm) .....	AR
15	1520754	Shim (0.50 mm) .....	AR

**FOOTNOTES:****a** PSI and Kubota**b** Yanmar 3.3L

## DRIVE AXLE (FIGURE 12-11) DRY BRAKE — SHEET 3 OF 3



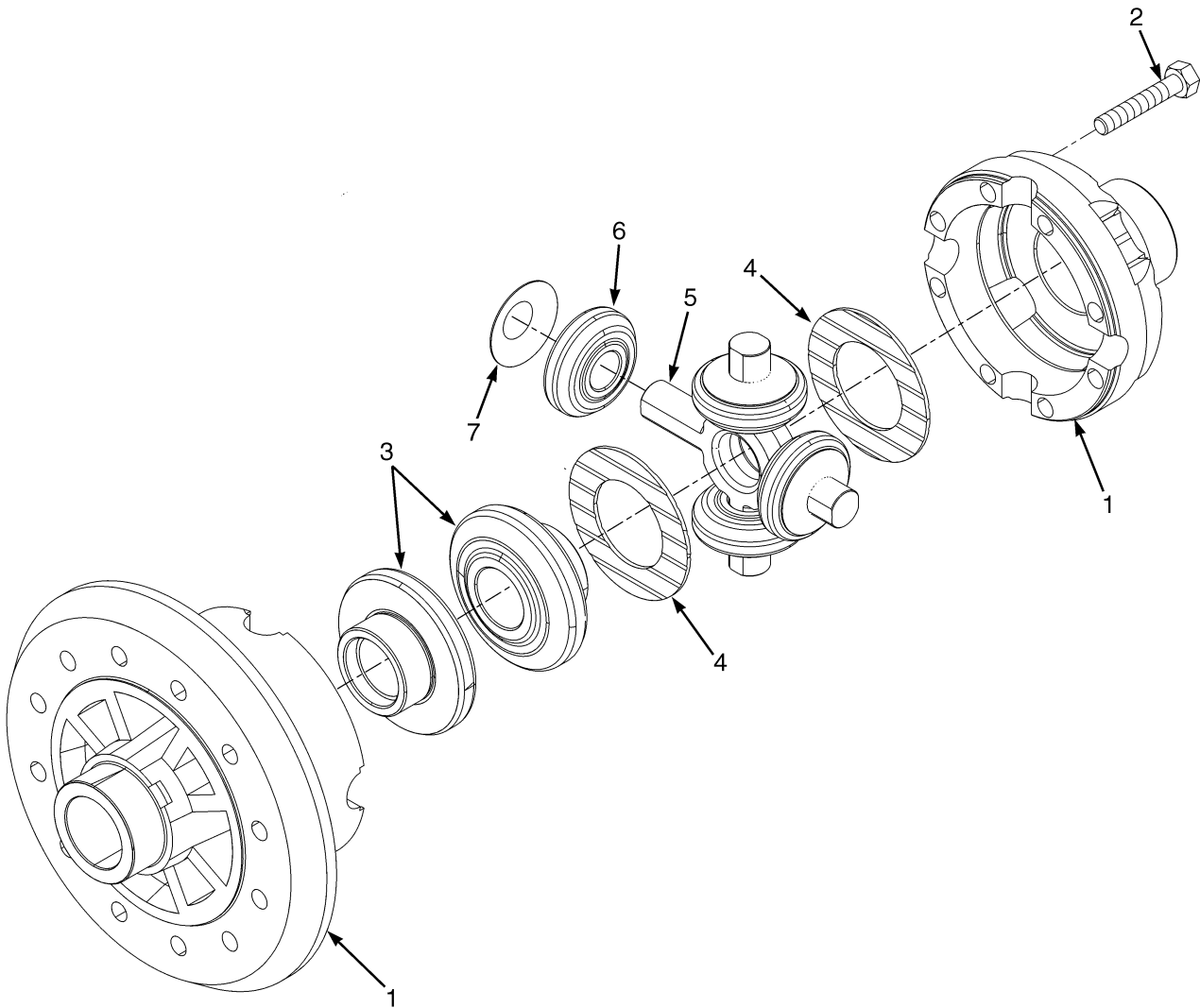
BP070136

**DRIVE AXLE  
DRY BRAKE – SHEET 3 OF 3**

ITEM	PART NO.	DESCRIPTION	QTY
	<b>b</b> 4624290	Drive Axle (2.17 Gear Ratio) .....	1
	<b>a</b> 4624291	Drive Axle (2.48 Gear Ratio) .....	1
1	293646	Capscrew .....	20
2	1532708	Axle Shaft .....	2
3	2028145	Nut .....	2
4	2027756	Lockwasher .....	2
5	1515219	Washer .....	2
6	1634451	Hub Assembly .....	2
6	1614672	Hub .....	1
7	2027663	Bearing Set (Tapered) .....	1
8	302385	Dowel .....	2
9	1532337	Wheel Stud .....	6
10	2028621	Oil Seal .....	1
11	2027662	Bearing Set (Tapered) .....	1
12	2027817	Oil Seal .....	1
13	1327246	Bolt .....	16
14	1579455	Brake Assembly (RH) (☞ Figure 14-3).....	1
15	4630498	Tube Assy (RH Brake Line) .....	1
16	4061321	Hanger (RH) .....	1
17	293686	Capscrew .....	14
18	296426	Washer .....	14
19	2027828	O-Ring .....	2
20	1514429	Nut .....	1
21	1618311	Bracket .....	1
22	1527878	Capscrew .....	1
23	21420	Breather .....	1
24	16151	Fitting .....	1
25	1641351	Fitting .....	1
26	2063265	Tube Assy (LH Brake line) .....	1
27	4061320	Hanger (LH) .....	1
28	1579454	Brake Assembly (LH) (☞ Figure 14-3).....	1
29	1521809	Drain Plug .....	1

**FOOTNOTES:****a** PSI and Kubota**b** Yanmar 3.3L

## DRIVE AXLE (FIGURE 12-12) DRY BRAKE — DIFFERENTIAL

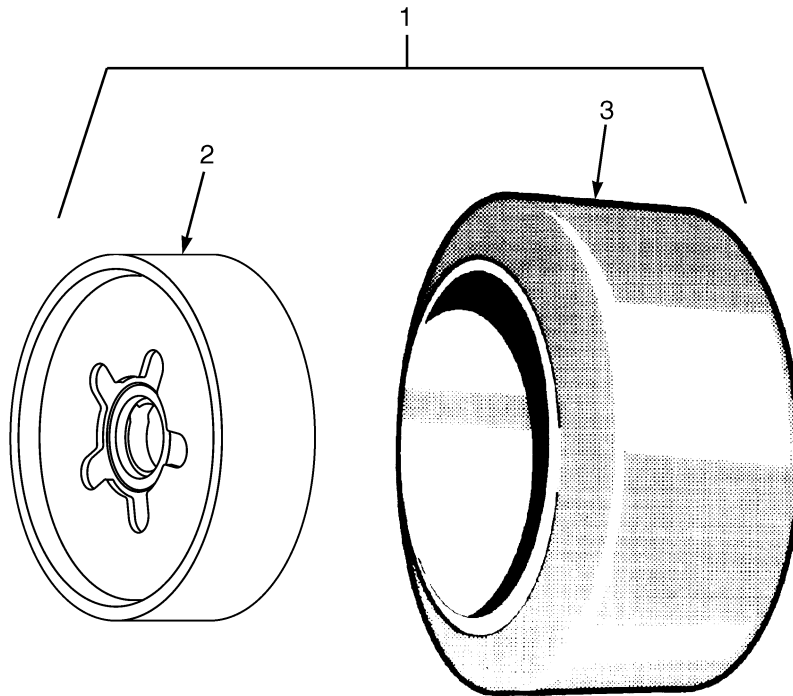


BP070055

**DRIVE AXLE  
DRY BRAKE – DIFFERENTIAL**

ITEM	PART NO.	DESCRIPTION	QTY
	2067962	Differential .....	1
1	.....	Case Set .....	1
2	1565327	Bolt .....	8
3	.....	Gear (Side) .....	2
4	.....	Washer (Side) .....	2
5	2029383	Spider .....	1
6	.....	Gear (Pinion) .....	4
7	.....	Washer (Pinion) .....	4
	1606532	Kit-Gear .....	1
	1565324	Kit-Washer .....	1

## DRIVE TIRES AND WHEELS (FIGURE 12-13) SOLID



BP220337

**KEY:**

**A: 7.00 x 12 (H2.0-2.5FT)**

**B: 28 x 9-15 (H2.0-3.5FT)**

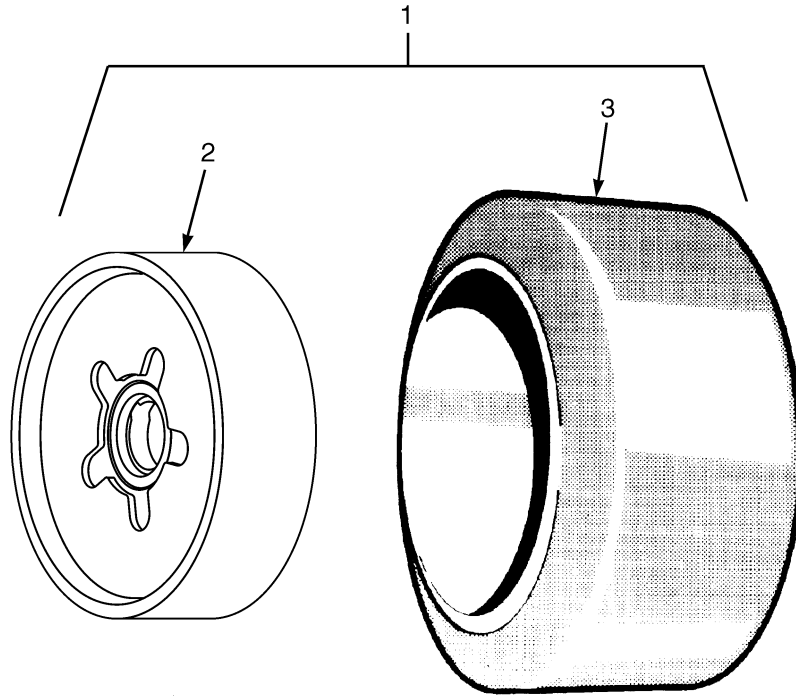
ITEM	PART NO.	DESCRIPTION	QTY	
			A	B
1	1544991	Wheel And Tire (CB/WH) (Standard Compound) .....	2	..
1	1603460	Wheel And Tire (CB/WH) (Non-Marking Compound) .....	2	..
1	<b>a</b> 1544993	Wheel And Tire (CB/WH) (Standard Compound) .....	2	..
1	<b>a</b> 1603462	Wheel And Tire (CB/WH) (Non-Marking Compound) .....	2	..
1	1544992	Wheel And Tire (CB/WH) (Standard Compound) .....	..	2
1	1603461	Wheel And Tire (CB/WH) (Non-Marking Compound) .....	..	2
1	<b>a</b> 1544994	Wheel And Tire (CB/WH) (Standard Compound) .....	..	2
1	<b>a</b> 1603463	Wheel And Tire (CB/WH) (Non-Marking Compound) .....	..	2
2	2070080	Rim .....	1	..
2	<b>a</b> 2070078	Rim .....	1	..
2	2070079	Rim .....	..	1
2	<b>a</b> 2070077	Rim .....	..	1
3	1543063	Solid Pneumatic Tire (Standard Compound) .....	1	..
3	1603487	Solid Pneumatic Tire (Non-Marking Compound) .....	1	..
3	1543064	Solid Pneumatic Tire (Standard Compound) .....	..	1
3	1603488	Solid Pneumatic Tire (Non-Marking Compound) .....	..	1

**FOOTNOTES:**

**a** Wide Option



**DRIVE TIRES AND WHEELS (FIGURE 12-14)  
SOLID TIRE — DUAL WHEEL**



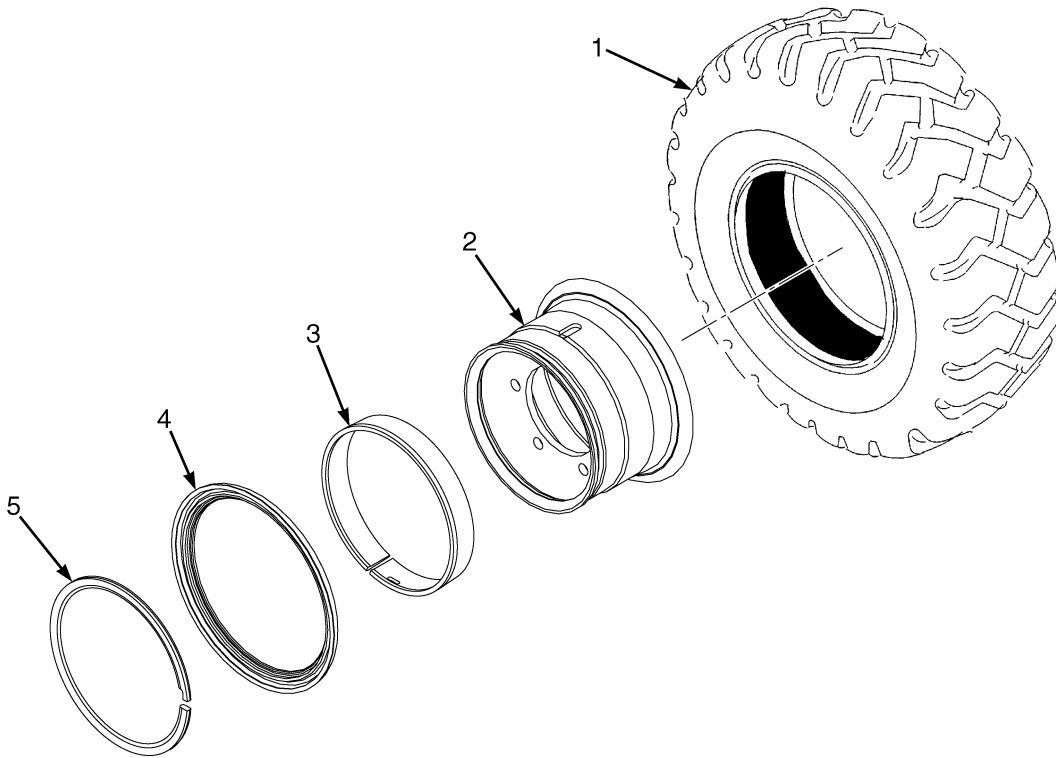
BP220337

**KEY:**

- A: Standard Compound**
- B: Non-Marking Compound**

ITEM	PART NO.	DESCRIPTION	QTY	
			A	B
1	1587441	Wheel And Tire (CB/WH) (7.00 x 12) .....	4	..
1	1603464	Wheel And Tire (CB/WH) (7.00 x 12) .....	..	4
2	2075455	Rim (Dual Wheel) .....	1	1
3	1543063	Solid Pneumatic Tire .....	1	..
3	1603487	Solid Pneumatic Tire .....	..	1

## DRIVE TIRES AND WHEELS (FIGURE 12-15) RADIAL TIRE — TRELLEBORG



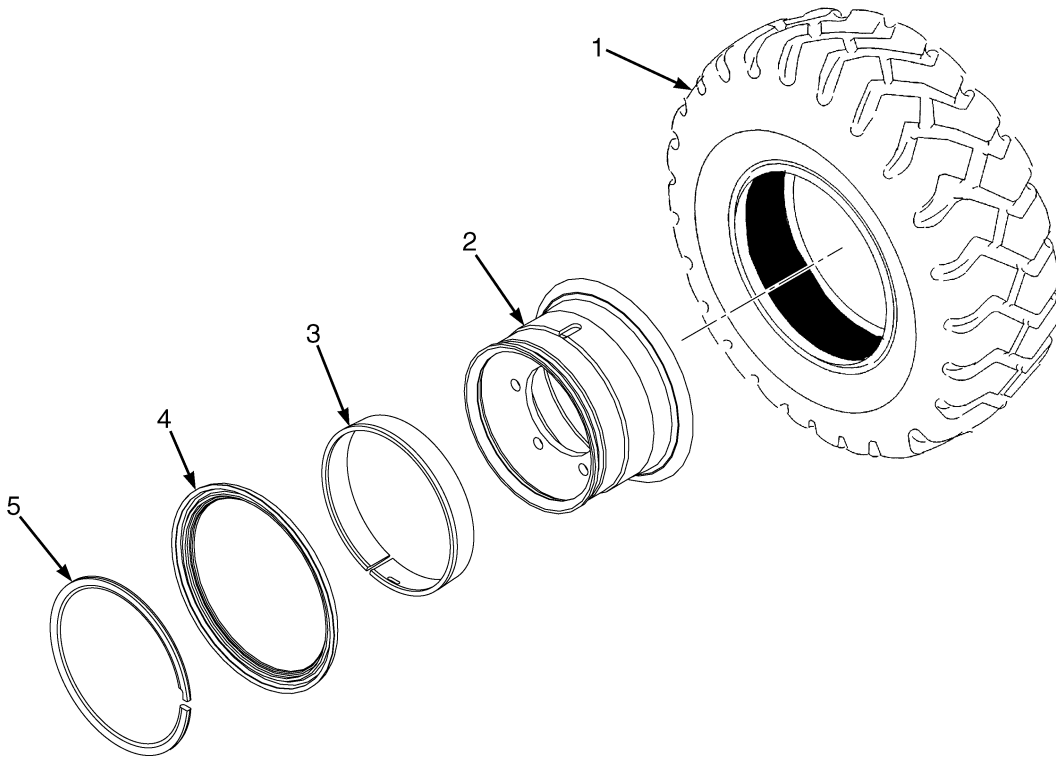
BP070185

**DRIVE TIRES AND WHEELS**  
**RADIAL TIRE – TRELLEBORG****KEY:****A: 7.00 R12 (H2.0-2.5FT)****B: 225/75 R15 (H2.0-3.5FT)**

ITEM	PART NO.	DESCRIPTION	QTY	
			A	B
	1544981	Wheel And Tire (CB/WH) .....	2	..
	1544984	Wheel And Tire (CB/WH) .....	..	2
	<b>a</b> 1544987	Wheel And Tire (CB/WH) .....	2	..
	<b>a</b> 1544990	Wheel and Tire .....	..	2
1	1471829	Pneumatic Tire .....	1	..
1	1471591	Tubeless Bead Seal .....	1	..
1	1358179	Pneumatic Tire .....	1	..
1	1471922	Tubeless Bead Seal Valve .....	1	..
1	1471835	Pneumatic Tire .....	..	1
1	1462617	Tubeless Bead Seal .....	..	1
1	1358183	Pneumatic Tire (Michelin XZM) .....	..	1
1	1471922	Tubeless Bead Seal Valve .....	..	1
2	2070073	Wheel Assy (5.00 x 12) .....	1	..
2	2070074	Wheel Assy (7.00 x 15) .....	..	1
2	<b>a</b> 2070075	Wheel Assy (5.00 x 12) .....	1	..
2	<b>a</b> 2070076	Wheel Assy (7.00 x 15) .....	..	1
2	2070080	Rim .....	1	..
2	2070079	Rim .....	..	1
2	<b>a</b> 2070078	Rim .....	1	..
2	<b>a</b> 2070077	Rim .....	..	1
3	1584694	Wedge Band .....	1	..
3	1584695	Wedge Band .....	..	1
4	161890	Wheel Side Ring .....	1	..
4	160653	Wheel Side Ring .....	..	1
5	161889	Wheel Lock Ring .....	1	..
5	980542	Wheel Lock Ring .....	..	1

**FOOTNOTES:****a** Wide Option

## DRIVE TIRES AND WHEELS (FIGURE 12-16) RADIAL TIRE — CONTINENTAL



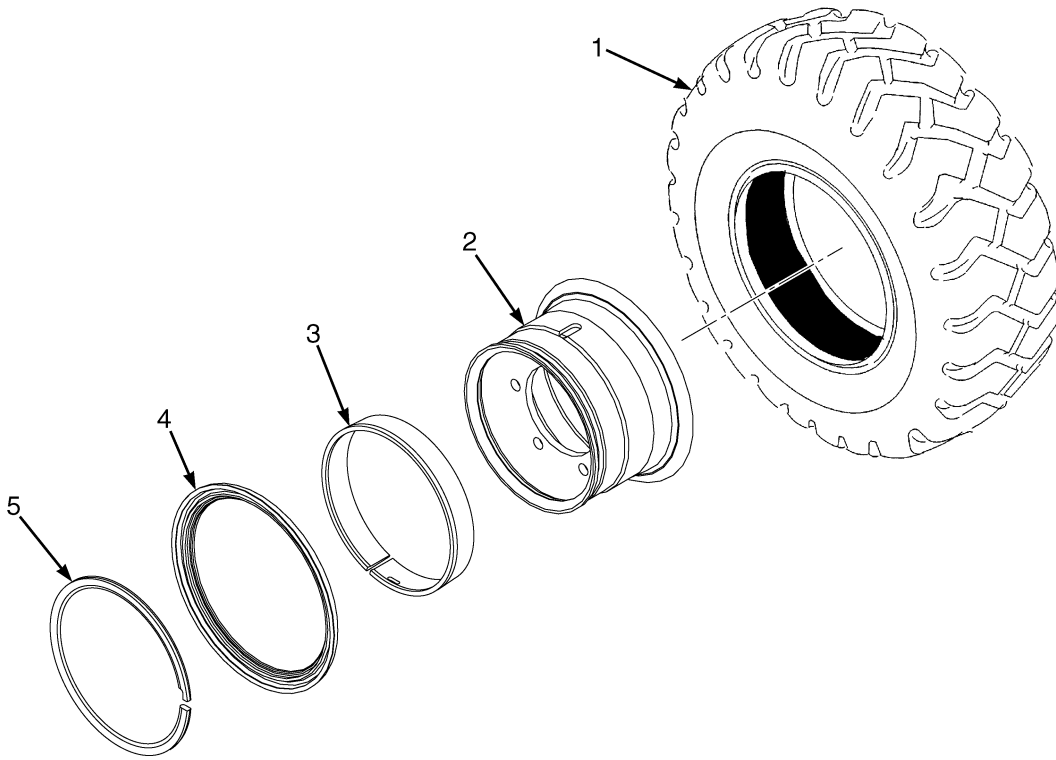
BP070185

**DRIVE TIRES AND WHEELS**  
**RADIAL TIRE – CONTINENTAL****KEY:****A: 7.00 R12 (H2.0-2.5FT)****B: 225/75 R15 (H2.0-3.5FT)**

ITEM	PART NO.	DESCRIPTION	QTY	
			A	B
	4102980	Wheel And Tire (CB/WH) .....	2	..
	4104071	Wheel And Tire (CB/WH) .....	..	2
	<b>a</b> 4102981	Wheel And Tire (CB/WH) .....	2	..
	<b>a</b> 4104072	Wheel And Tire (CB/WH) .....	..	2
1	4102968	Pneumatic Tire .....	1	..
1	4029457	Tire .....	1	..
1	4102950	Tire Tube .....	1	..
1	4102958	Tire Flap .....	1	..
1	4102969	Pneumatic Tire .....	..	1
1	4029458	Tire .....	..	1
1	4102951	Tire Tube .....	..	1
1	4102959	Tire Flap .....	..	1
2	2070073	Wheel Assy (5.00 x 12) .....	1	..
2	2070074	Wheel Assy (7.00 x 15) .....	..	1
2	<b>a</b> 2070075	Wheel Assy (5.00 x 12) .....	1	..
2	<b>a</b> 2070076	Wheel Assy (7.00 x 15) .....	..	1
2	2070080	Rim .....	1	..
2	2070079	Rim .....	..	1
2	<b>a</b> 2070078	Rim .....	1	..
2	<b>a</b> 2070077	Rim .....	..	1
3	1584694	Wedge Band .....	1	..
3	1584695	Wedge Band .....	..	1
4	161890	Wheel Side Ring .....	1	..
4	160653	Wheel Side Ring .....	..	1
5	161889	Wheel Lock Ring .....	1	..
5	980542	Wheel Lock Ring .....	..	1

**FOOTNOTES:****a** Wide Option

## DRIVE TIRES AND WHEELS (FIGURE 12-17) RADIAL TIRE — DUAL WHEEL



BP070185

**DRIVE TIRES AND WHEELS**  
**RADIAL TIRE – DUAL WHEEL****KEY:****A: Trelleborg****B: Continental**

ITEM	PART NO.	DESCRIPTION	QTY	
			A	B
	1587440	Wheel And Tire (CB/WH) .....	4	..
	4104064	Wheel And Tire (CB/WH) .....	..	4
1	1543060	Tire .....	1	..
1	1471829	Pneumatic Tire .....	1	..
1	1471591	Tubeless Bead Seal .....	1	..
1	1358179	Pneumatic Tire .....	1	..
1	1471922	Tubeless Bead Seal Valve .....	1	..
1	4102968	Pneumatic Tire .....	..	1
1	4029457	Tire .....	..	1
1	4102950	Tire Tube .....	..	1
1	4102958	Tire Flap .....	..	1
2	2075454	Rim Assembly (5.00 x 12) .....	1	1
2	2075455	Rim (Dual Wheel) .....	1	1
3	1584694	Wedge Band .....	1	1
4	161890	Wheel Side Ring .....	1	1
5	161889	Wheel Lock Ring .....	1	1





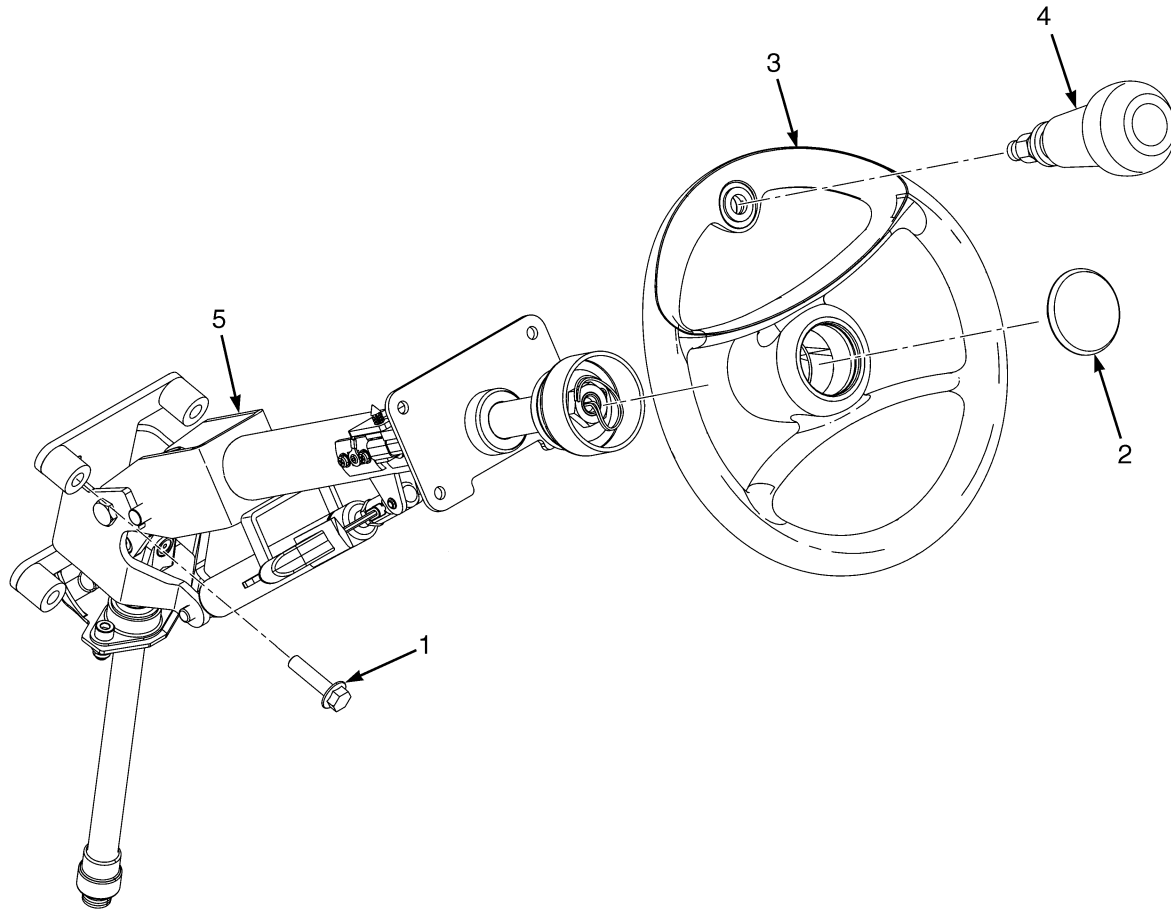




**SECTION 13  
STEERING SYSTEM**

<b>DESCRIPTION</b>	<b>PAGE</b>
STEER AXLE .....	13-14
STEER CYLINDER .....	13-16
STEER TIRES AND WHEELS	
RADIAL - TRELLEBORG .....	13-18
RADIAL - CONTINENTAL .....	13-20
SMOOTH TREAD - TRELLEBORG .....	13-22
STEERING COLUMN AND ATTACHING PARTS	
ISOLATED - DIESEL .....	13-3
NON-ISOLATED - GASOLINE AND LPG .....	13-2
STEERING COLUMN ASSEMBLY	
ISOLATED, DIESEL .....	13-6
NON-ISOLATED - GASOLINE AND LPG .....	13-4
STEERING CONTROL UNIT .....	13-8
VARIABLE DISPLACEMENT .....	13-10
STEERING LINES .....	13-12

## STEERING COLUMN AND ATTACHING PARTS (FIGURE 13-1) NON-ISOLATED — GASOLINE AND LPG



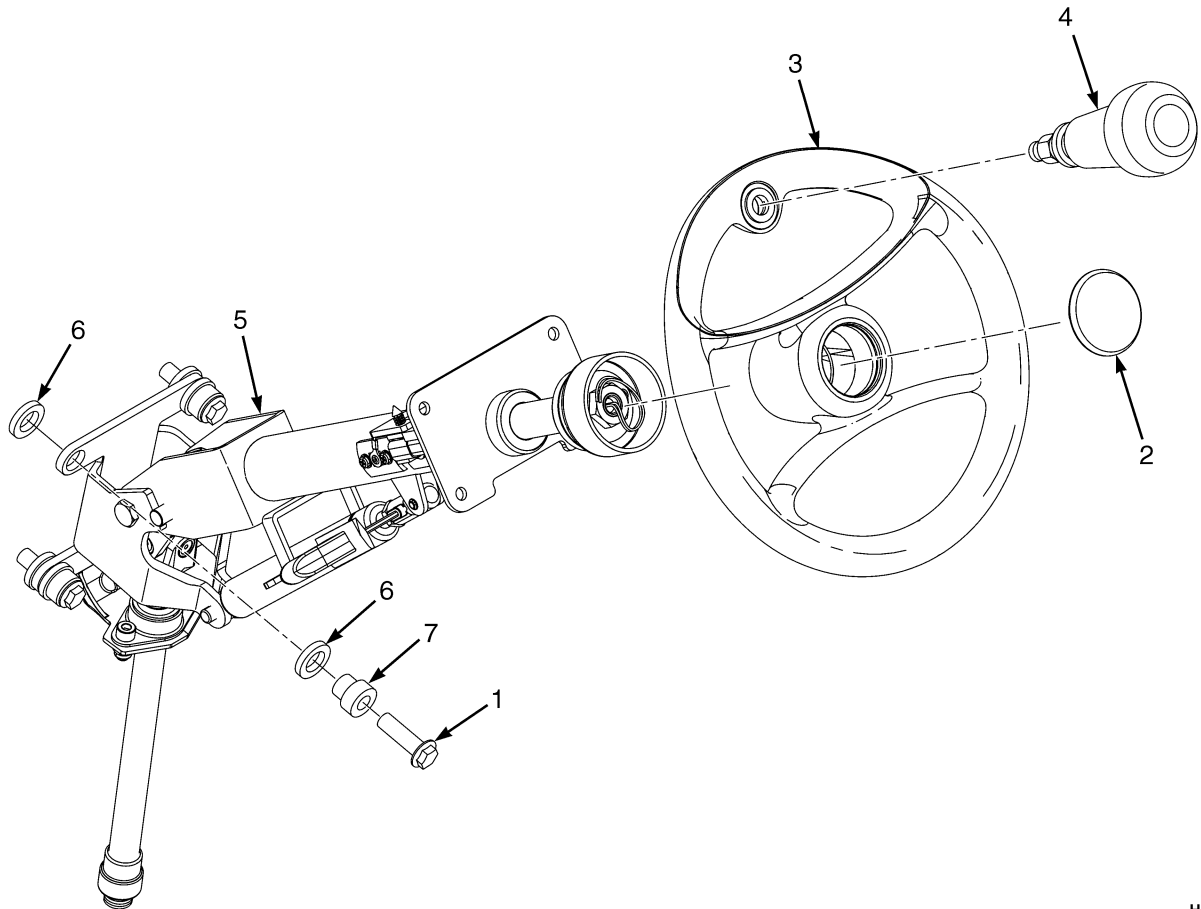
HP220500

ITEM	PART NO.	DESCRIPTION	QTY
1	1512403	Capscrew .....	4
2	<b>a</b> 1608622	Horn Button .....	1
3	1551839	Steering Wheel (Without Spinner Knob) .....	1
3	1531563	Steering Wheel (With Spinner) .....	1
4	1586109	Knob Assembly .....	1
5	4023450	Steering Column (☞ Figure 13-3).....	1

### FOOTNOTES:

**a** Service with Horn Replacement Kit 1642089

**STEERING COLUMN AND ATTACHING PARTS (FIGURE 13-2)  
ISOLATED — DIESEL**



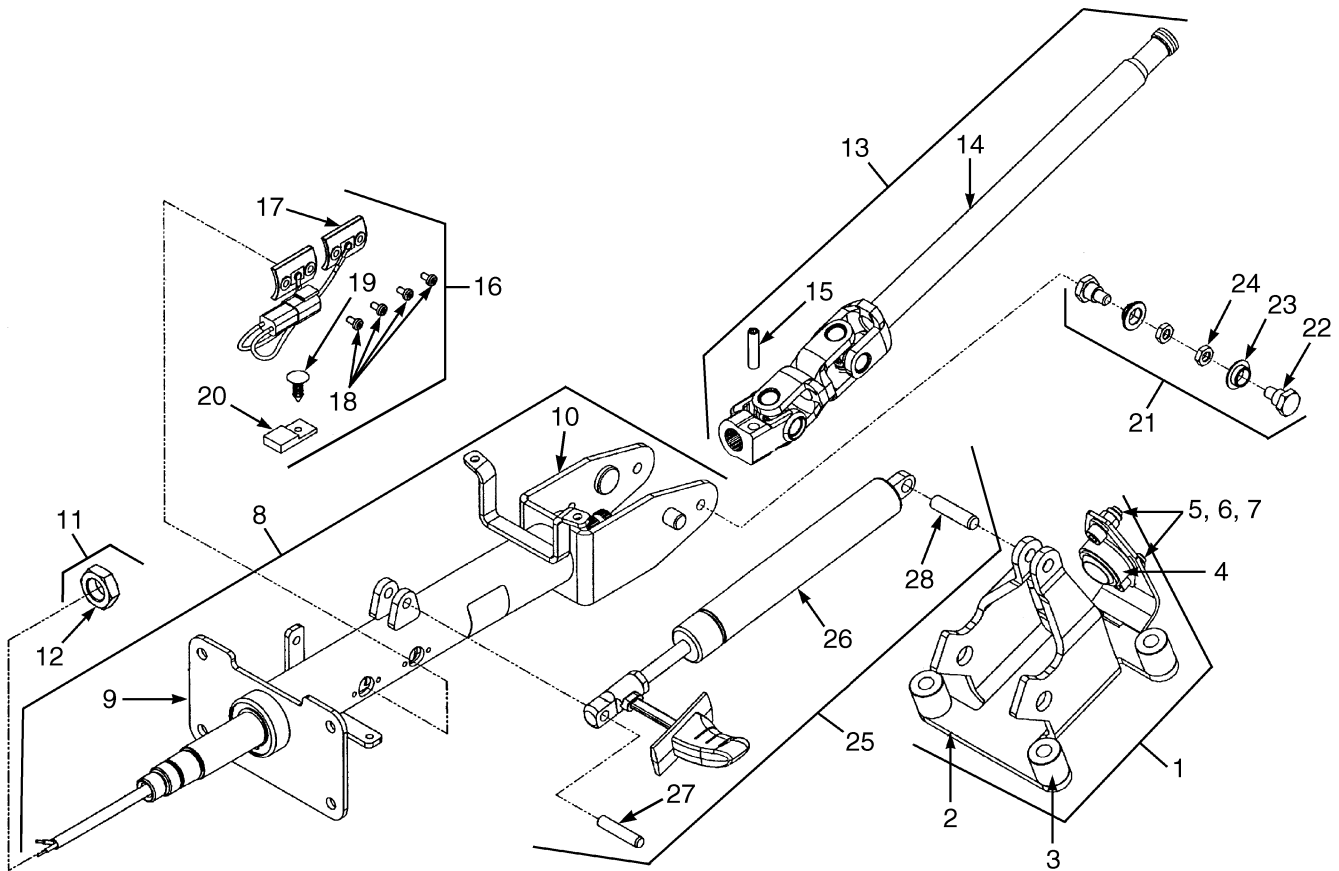
HP220499

ITEM	PART NO.	DESCRIPTION	QTY
1	1512403	Capscrew .....	4
2	<b>a</b> 1608622	Horn Button .....	1
3	1531563	Steering Wheel (With Spinner) .....	1
4	1586109	Knob Assembly .....	1
5	4611791	Steering Column (☞ Figure 13-4).....	1
6	2079369	Isolator .....	8
7	1606750	Spacer .....	4

**FOOTNOTES:**

**a** Service with Horn Replacement Kit 1642089

## STEERING COLUMN ASSEMBLY (FIGURE 13-3) NON-ISOLATED — GASOLINE AND LPG

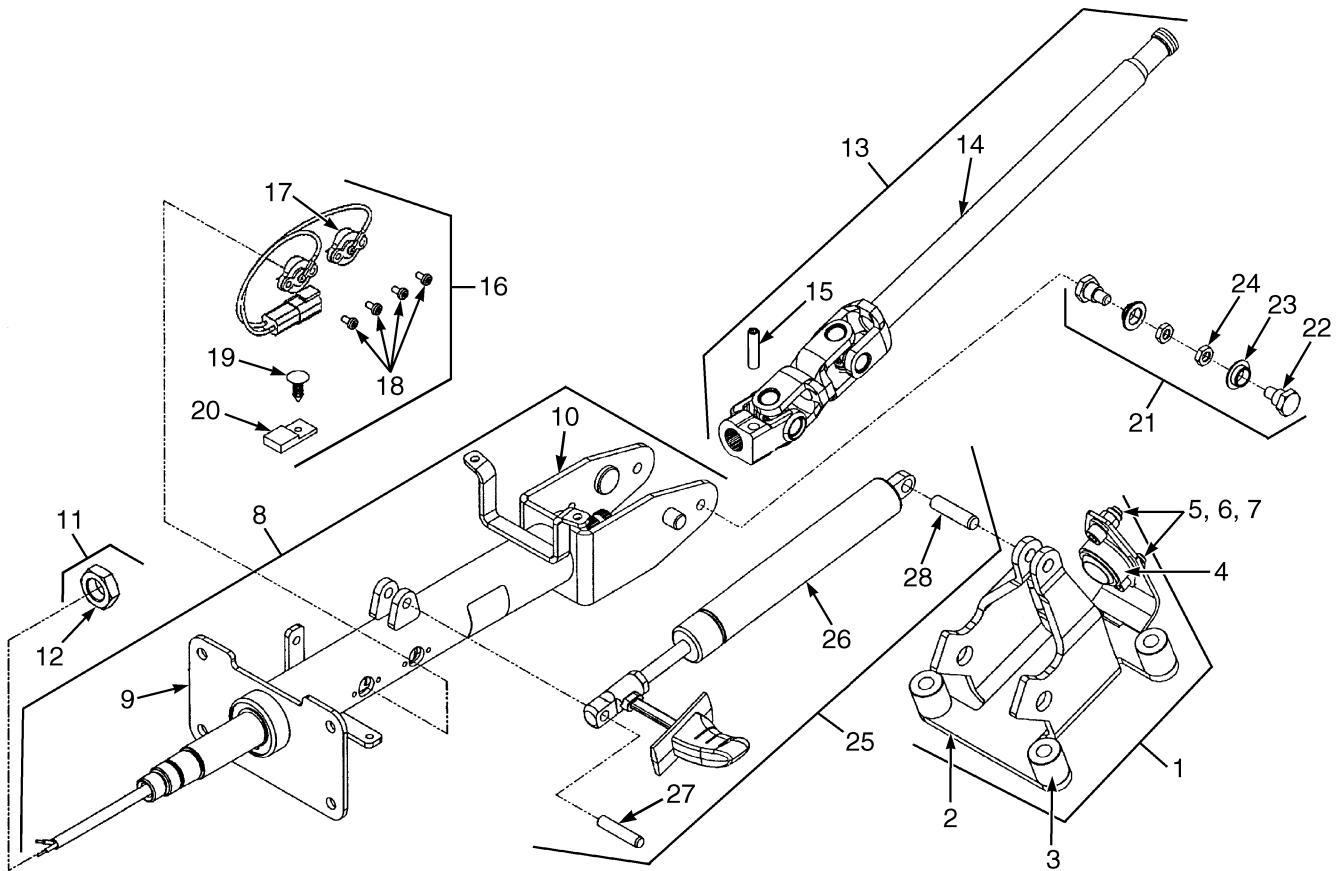


HP220445

**STEERING COLUMN ASSEMBLY  
NON-ISOLATED – GASOLINE AND LPG**

ITEM	PART NO.	DESCRIPTION	QTY
	4023450	Steering Column (Gasoline and LPG) .....	1
1	1562509	Kit-Support (Gasoline and LPG) .....	1
2	.....	Support .....	1
3	.....	Spacer (Gasoline and LPG Only) .....	4
4	.....	Joint .....	1
5	.....	Nut .....	2
6	.....	Washer .....	2
7	.....	Screw .....	2
8	4028642	Kit (Shaft Upper) .....	1
9	.....	Shaft Assembly (Upper) .....	1
10	.....	Housing Assembly .....	1
11	1562492	Kit-Nut .....	1
12	.....	Nut .....	2
13	1562493	Kit-Shaft (Lower) .....	1
14	.....	Shaft Assembly (Lower) .....	1
15	.....	Pin .....	1
16	1562496	Kit-Contact .....	1
17	.....	Contact Assembly (Horn) .....	1
18	.....	Screw .....	4
19	.....	Fastener .....	1
20	.....	Connector .....	1
21	1562501	Kit-Pivot (Lower) .....	1
22	.....	Bolt (Pivot) .....	2
23	.....	Bushing .....	2
24	.....	Nut .....	2
25	1562505	Kit-Gas Spring .....	1
26	.....	Gas Spring .....	1
27	.....	Pin .....	1
28	.....	Pin .....	1

## STEERING COLUMN ASSEMBLY (FIGURE 13-4) ISOLATED, DIESEL



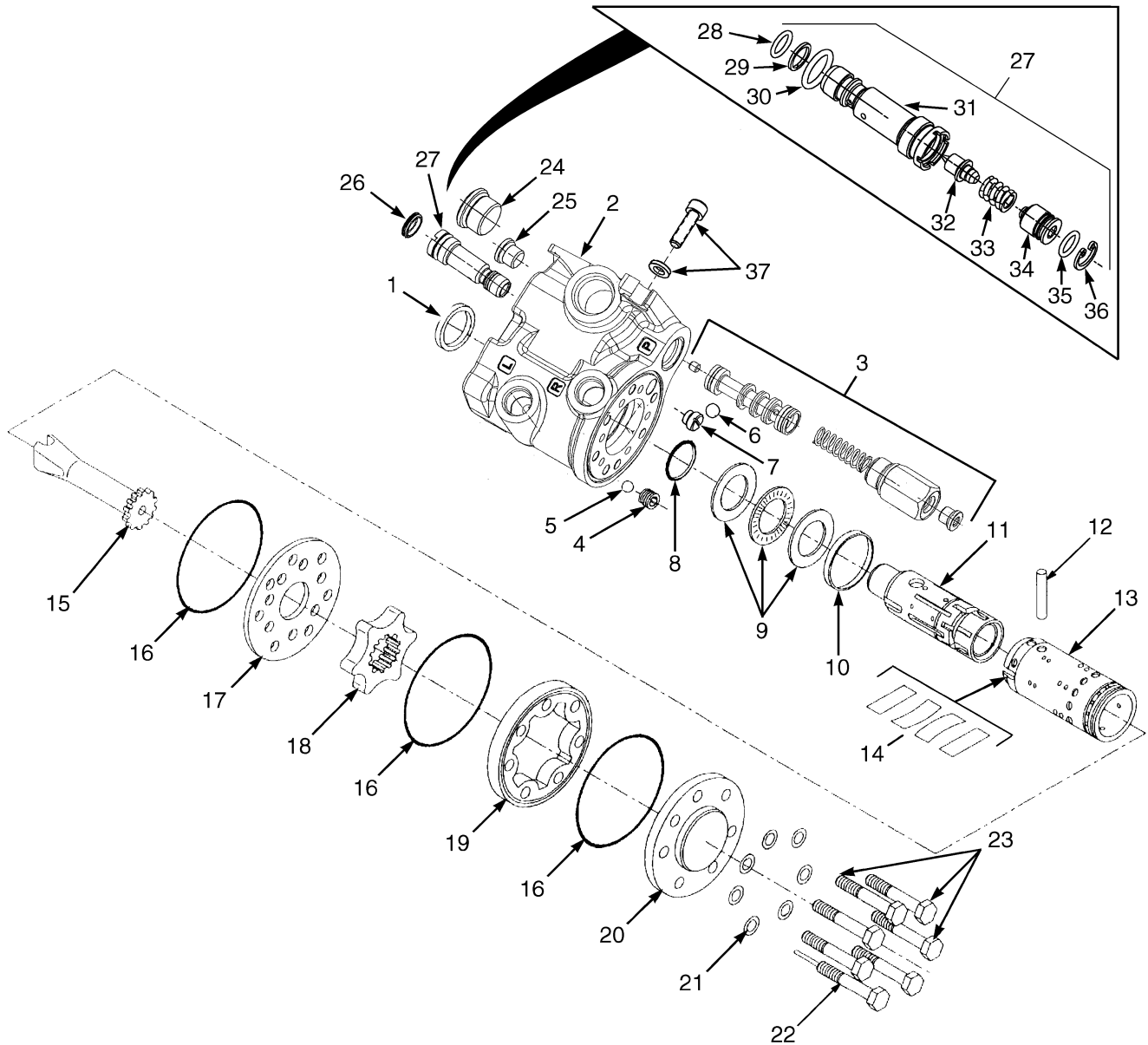
BP220224



**STEERING COLUMN ASSEMBLY  
ISOLATED, DIESEL**

ITEM	PART NO.	DESCRIPTION	QTY
	4611791	Steering Column .....	1
1	4038672	Kit-Support .....	1
2	.....	Support .....	1
3	.....	Spacer .....	4
4	.....	Joint .....	1
5	.....	Nut .....	2
6	.....	Washer .....	2
7	.....	Screw .....	2
8	4038673	Kit-Shaft (Upper) .....	1
9	.....	Shaft Assembly (Upper) .....	1
10	.....	Housing Assembly .....	1
11	4038674	Kit-Nut .....	1
12	.....	Nut .....	2
13	4038675	Kit-Shaft (Lower) .....	1
14	.....	Shaft Assembly (Lower) .....	1
15	.....	Pin .....	1
16	4038676	Kit-Contact .....	1
17	.....	Contact Assembly (Horn) .....	1
18	.....	Screw .....	4
19	.....	Fastener .....	1
20	.....	Connector .....	1
21	4038677	Kit Pivot (Lower) .....	1
22	.....	Bolt (Pivot) .....	2
23	.....	Bushing .....	2
24	.....	Nut .....	2
25	4038678	Kit-Gas Spring .....	1
26	.....	Gas Spring .....	1
27	.....	Pin .....	1
28	.....	Pin .....	1

## STEERING CONTROL UNIT (FIGURE 13-5)

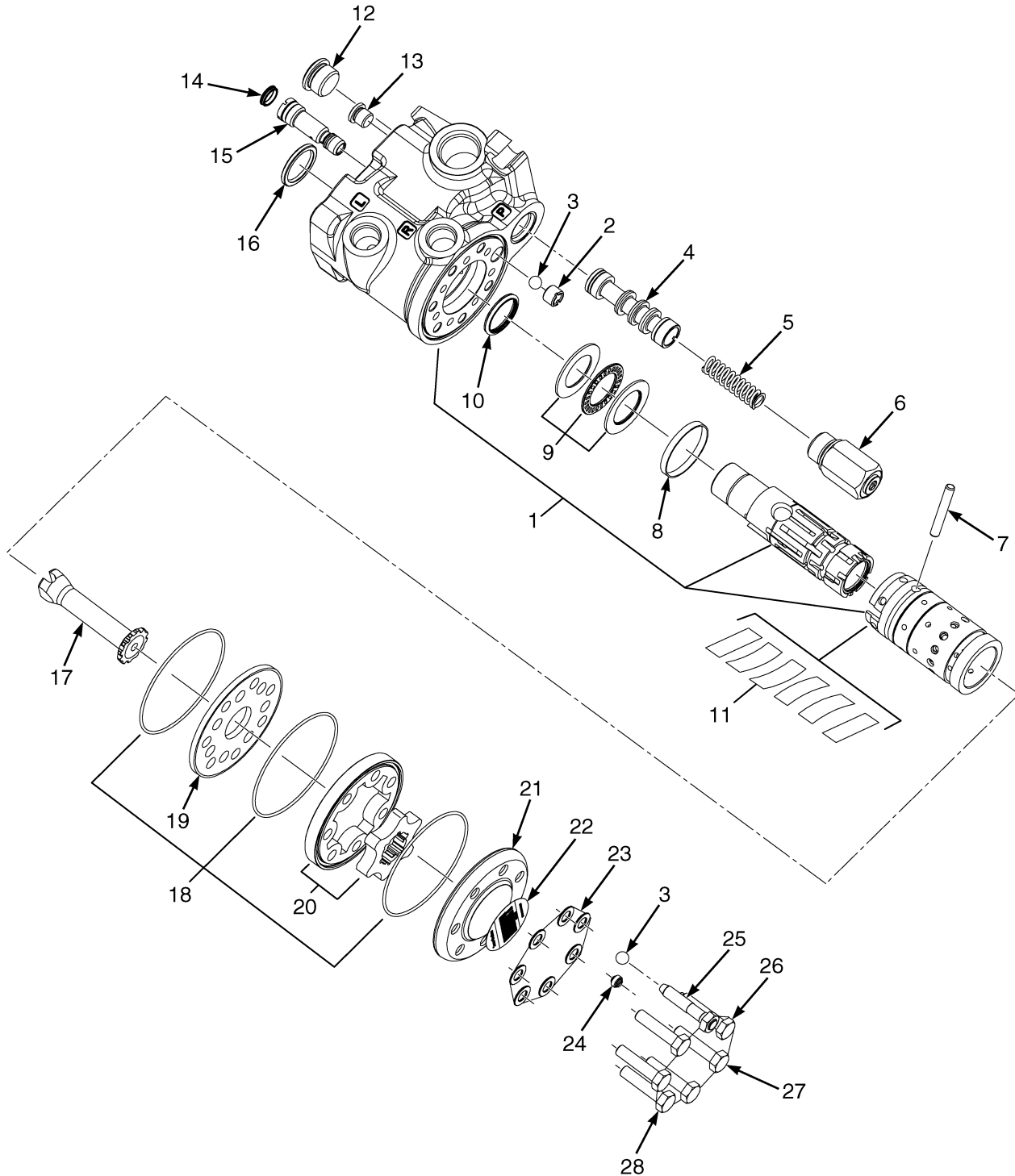


BP220056

**STEERING CONTROL UNIT**

ITEM	PART NO.	DESCRIPTION	QTY
	2063117	Steering Control Unit (H2.0-3.0FT) .....	1
	2063118	Steering Control Unit (H3.5FT) .....	1
1	.....	Dust Seal .....	1
2	.....	Housing .....	1
3	.....	Relief Valve .....	1
4	.....	Bushing .....	1
5	.....	Check Ball .....	1
6	.....	Check Ball .....	1
7	.....	Seat .....	1
8	.....	O-Ring .....	1
9	.....	Bearing Set .....	1
10	.....	Ring .....	1
11	.....	Spool .....	1
12	.....	Pin .....	1
13	.....	Sleeve .....	1
14	.....	Spring Set .....	1
15	.....	Shaft .....	1
16	.....	O-Ring .....	3
17	.....	Plate .....	1
18	.....	Gear Set .....	1
19	.....	Gear Ring .....	1
20	.....	Cover .....	1
21	.....	Washer .....	7
22	.....	Special Screw .....	2
23	.....	Capscrew .....	5
24	.....	Priority Valve Plug .....	1
25	.....	Diagnostic Plug (Supply Pressure) .....	1
26	.....	Cap .....	1
27	.....	System Relief Valve .....	1
28	.....	O-Ring .....	1
29	.....	Back-Up Ring .....	1
30	.....	O-Ring .....	1
31	.....	Cartridge .....	1
32	.....	Seat .....	1
33	.....	Spring .....	1
34	.....	Plug .....	1
35	.....	Anti-Tamper Ring .....	1
36	.....	Snap Ring .....	1
37	1581858	Kit-Capscrew .....	1
	1579908	Kit-Seal (Steering Control Unit) .....	1

## STEERING CONTROL UNIT (FIGURE 13-6) VARIABLE DISPLACEMENT

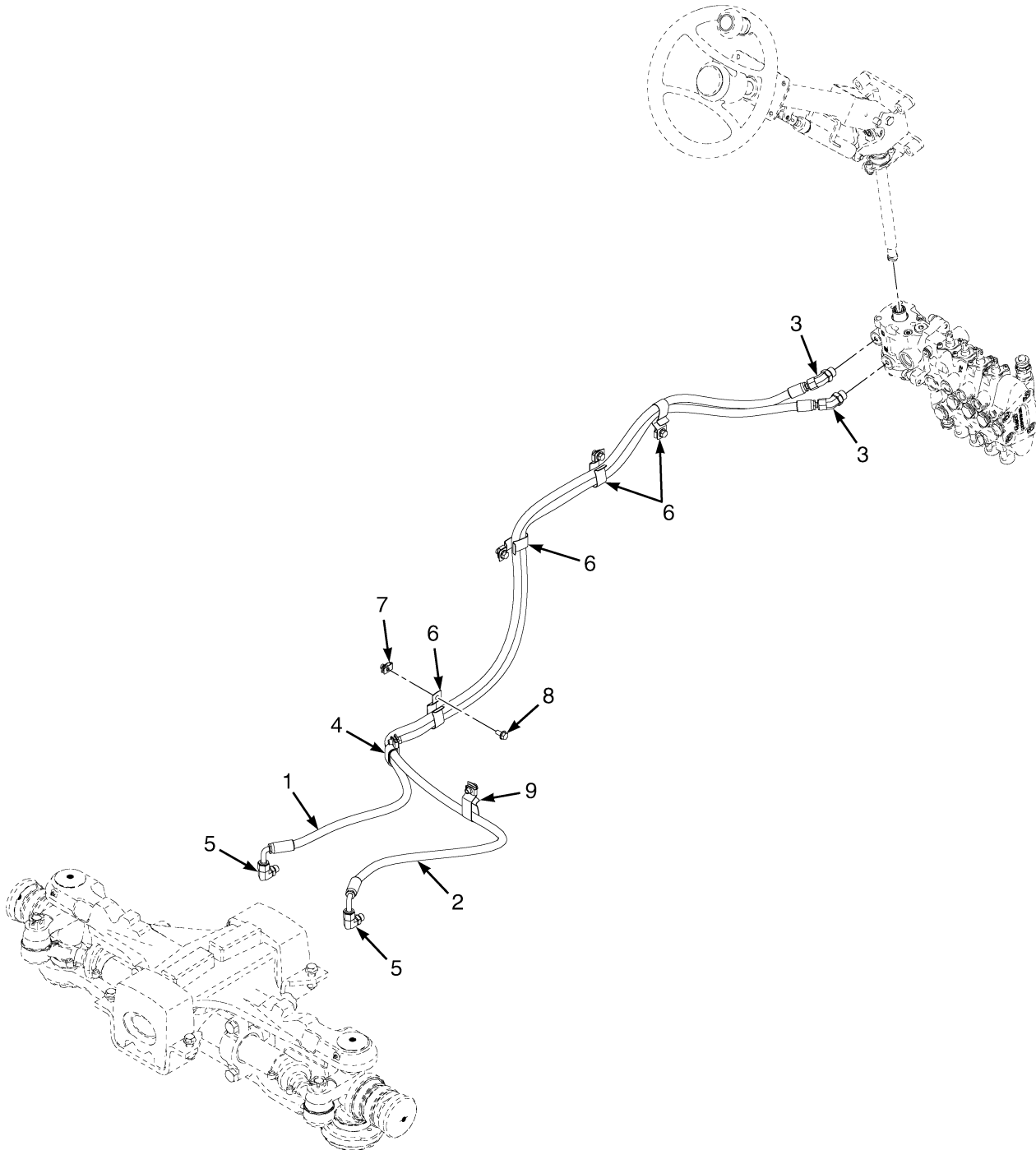


BP220325

**STEERING CONTROL UNIT  
VARIABLE DISPLACEMENT**

ITEM	PART NO.	DESCRIPTION	QTY
	4608005	Steering Control Unit .....	1
1	.....	Housing Spool and Sleeve .....	1
2	.....	Bushing .....	1
3	.....	Ball .....	2
4	.....	Spool .....	1
5	.....	Spring .....	1
6	.....	Plug .....	1
7	.....	Pin .....	1
8	.....	Ring .....	1
9	.....	Bearing Assembly .....	1
10	.....	O-Ring .....	1
11	.....	Set of Springs .....	1
12	.....	Plug .....	1
13	.....	Plug .....	1
14	.....	Plug .....	1
15	.....	Relief Valve .....	1
16	.....	Dust Seal .....	1
17	.....	Shaft .....	1
18	.....	O-Ring .....	3
19	.....	Distributor Plate .....	1
20	.....	Gear Wheel Set .....	1
21	.....	End Cover .....	1
22	.....	Name Plate .....	1
23	.....	Washer .....	7
24	.....	Check Valve .....	1
25	.....	Screw with Pin .....	1
26	.....	Screw .....	1
27	.....	Screw .....	1
28	.....	Screw .....	4
	1579908	Kit-Seal (Steering Control Unit) .....	1

## STEERING LINES (FIGURE 13-7)

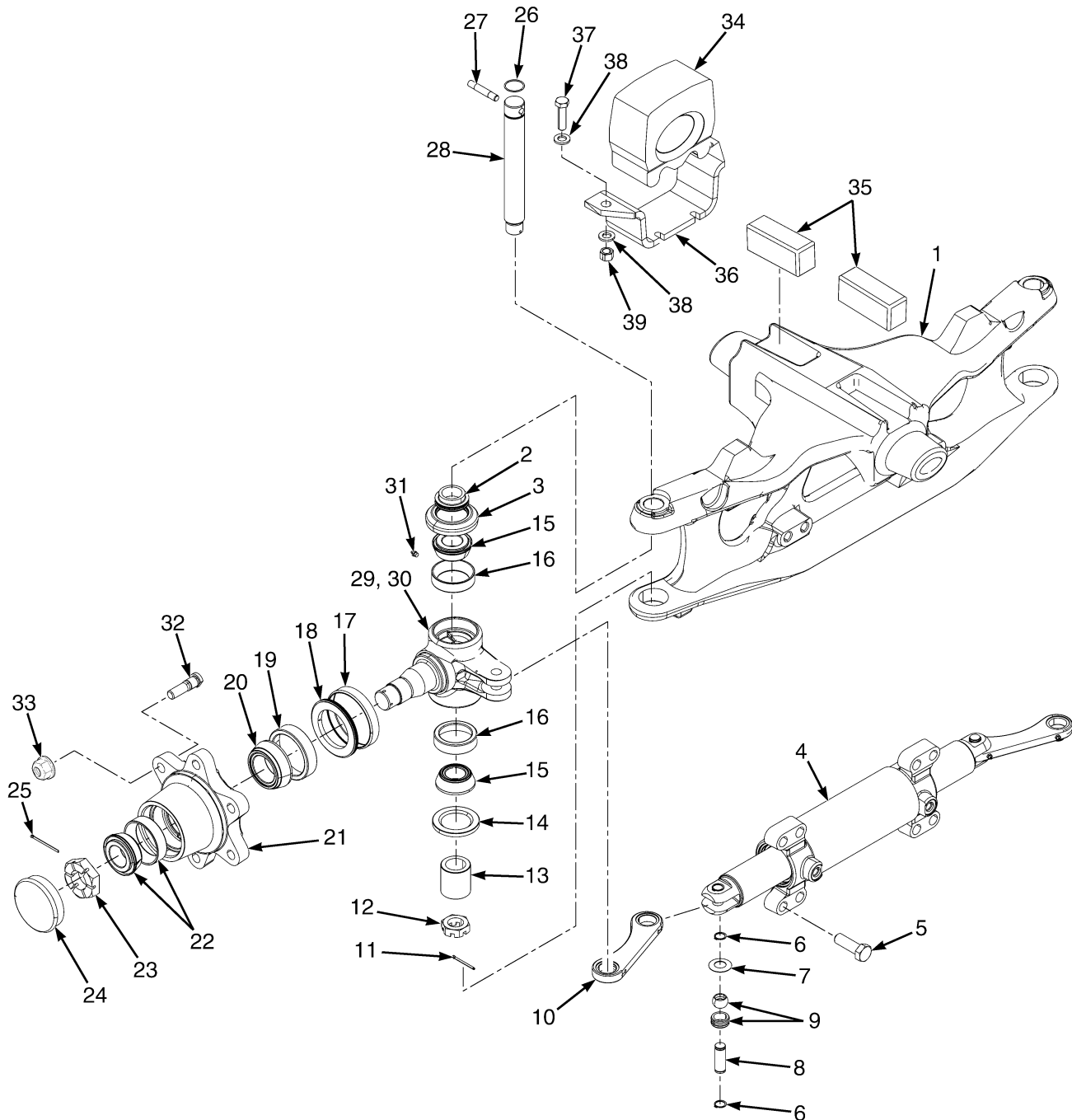


BP220348

**STEERING LINES****KEY:****A: Kubota LPG, Kubota or Yanmar Diesel****B: PSI LPG**

ITEM	PART NO.	DESCRIPTION	QTY	
			A	B
1	2104068	Hose Assy (H2.0-3.0FT) .....	1	..
1	2104070	Hose Assy (H3.5FT) .....	1	..
1	4637871	Hose Assy (H2.0-3.0FT) .....	..	1
1	4637872	Hose Assy (H3.5FT) .....	..	1
2	4637769	Hose Assy (H2.0-3.0FT) .....	1	..
2	4637770	Hose Assy (H3.5FT) .....	1	..
2	4637771	Hose Assy (H2.0-3.0FT) .....	..	1
2	4637772	Hose Assy (H3.5FT) .....	..	1
3	4022958	Fitting .....	2	2
4	110322	Clamp .....	1	1
4	203230	Clamp (Optional) .....	1	1
5	1487063	Fitting .....	2	2
6	1544157	Clip .....	4	3
7	1480237	Nut .....	6	5
8	4109993			
	1527879	Capscrew .....	6	5
9	89220	Clamp .....	1	1

## STEER AXLE (FIGURE 13-8)



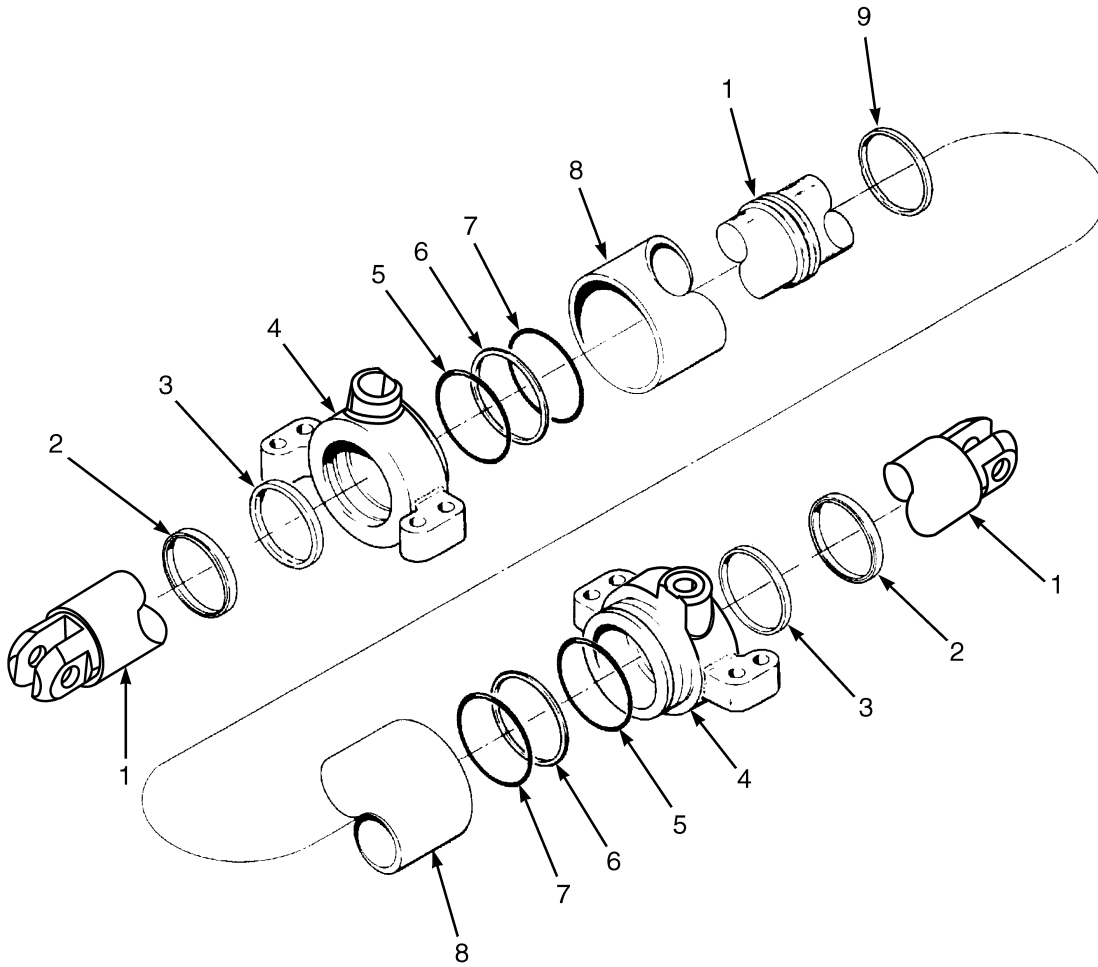
BP220349



**STEER AXLE**

ITEM	PART NO.	DESCRIPTION	QTY
1	1537963	Steering Axle Assembly .....	1
1	1537400	Steering Axle .....	1
2	300767	Spacer .....	2
3	264973	Seal .....	2
4	2071096	Steering Cylinder (☞ Figure 13-9).....	1
5	293686	Capscrew .....	8
6	58903	Snap Ring .....	8
7	300752	Spherical Washer .....	8
8	1568271	Pin .....	4
9	300751	Bushing .....	4
10	381298	Tie Rod .....	2
11	15225	Cotter Pin .....	2
12	249289	Nut .....	2
13	300766	Sleeve .....	2
14	98525	Oil Seal .....	2
15	1374815	Bearing Set .....	4
15	156195	Bearing Cone .....	1
16	156194	Bearing Cup .....	1
17	164639	Wear Sleeve .....	2
18	44542	Seal .....	2
19	4006721	Bearing Set (Optional) .....	2
19	4006667	Bearing Set .....	2
19	163970	Bearing Cup .....	2
20	30273	Bearing Cone .....	2
21	1537667	Hub .....	2
22	1375469	Bearing Set .....	2
22	4006722	Bearing Set (Optional) .....	2
23	1383777	Nut .....	2
24	69029	Cap .....	2
25	15227	Cotter Pin .....	2
26	39352	O-Ring .....	2
27	226986	Pin .....	2
28	300765	King Pin .....	2
29	1310599	Spindle (LH) .....	1
30	1315425	Spindle (RH) .....	1
31	13957	Grease Fitting .....	6
32	1502276	Wheel Stud .....	12
33	1517836	Wheel Nut .....	12
34	1525354	Rubber Mount .....	2
35	1388838	Rubber Mount .....	2
36	1543254	Plate .....	2
37	293648	Capscrew .....	4
38	320161	Washer .....	8
39	300937	Nut .....	4

**STEER CYLINDER (FIGURE 13-9)**

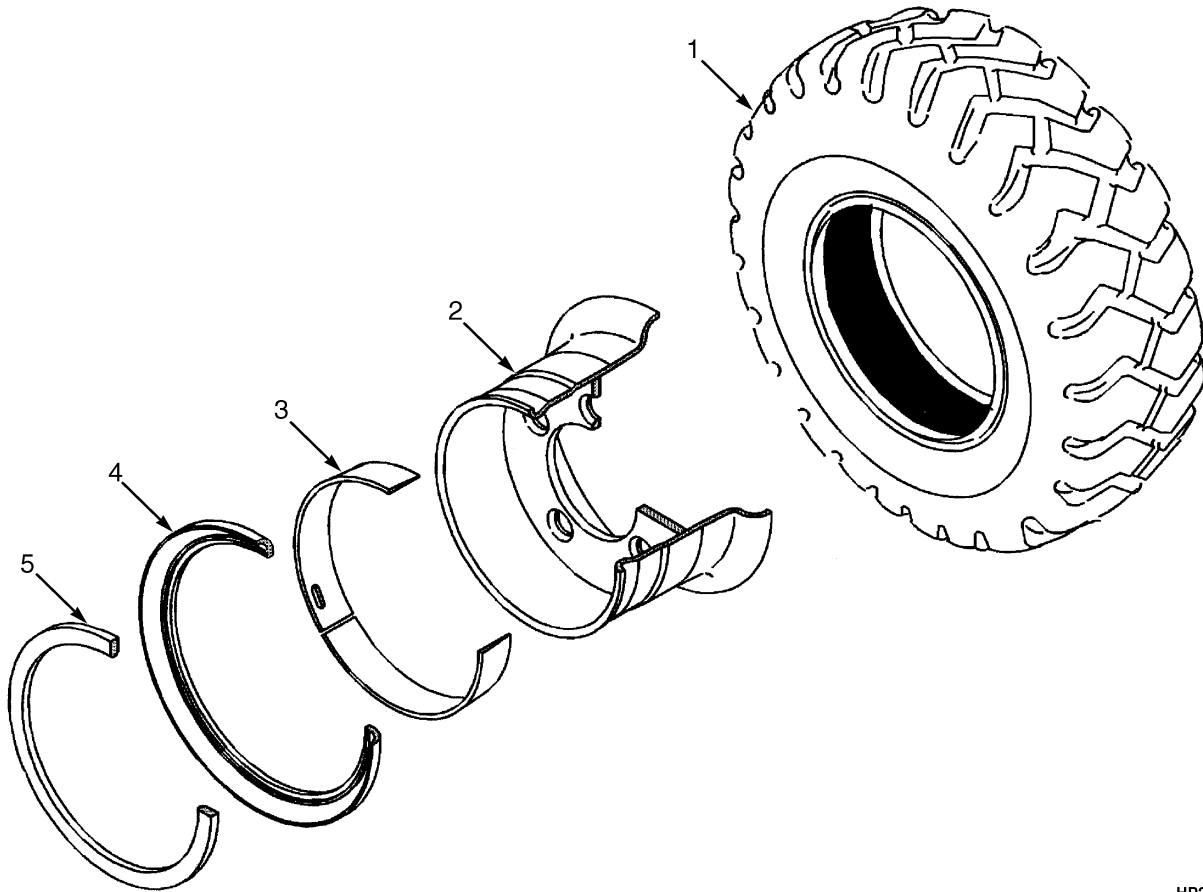


BP220070

**STEER CYLINDER**

ITEM	PART NO.	DESCRIPTION	QTY
	2071096	Steering Cylinder .....	1
1	375634	Cylinder Rod .....	1
2	2071094	Rod Wiper .....	2
3	1380092	Rod Seal .....	2
4	1561008	End Cap .....	1
5	268619	O-Ring .....	2
6	147973	Back-Up Ring .....	2
7	118358	O-Ring .....	2
8	375635	Tube Wldmt-Cylinder .....	1
9	2044371	Piston Seal .....	1
	1566700	Kit-Seal .....	1
10	2068015	Sleeve .....	1

**STEER TIRES AND WHEELS (FIGURE 13-10)**  
**RADIAL — TRELLEBORG**

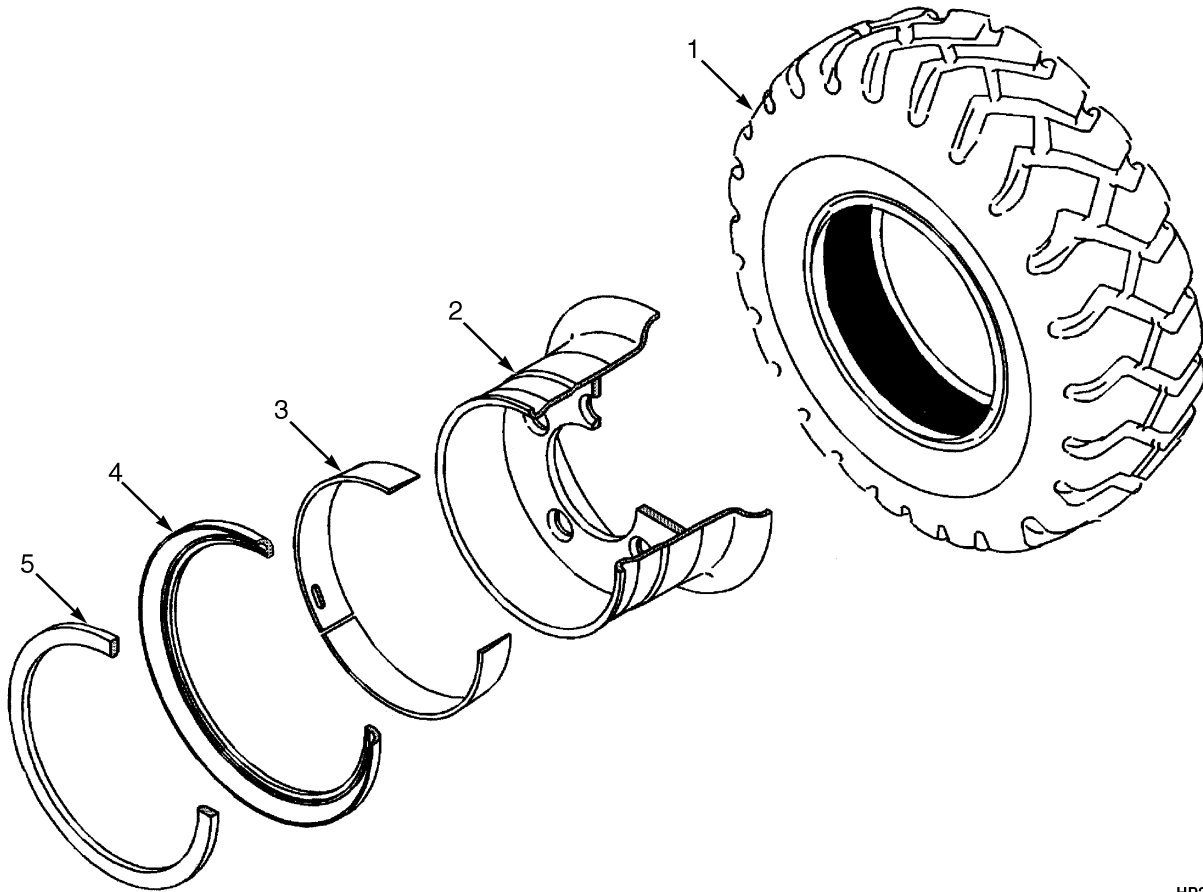


HP240569

**STEER TIRES AND WHEELS  
RADIAL – TRELLEBORG****KEY:****A: 6.00 R9 Pneumatic****B: 6.50 R10 Pneumatic**

ITEM	PART NO.	DESCRIPTION	QTY	
			A	B
	1544997	Wheel And Tire (CB/WH) .....	2	..
	1545000	Wheel And Tire (CB/WH) .....	..	2
1	1471837	Pneumatic Tire Assembly (6.0 R9 PR) .....	1	..
1	1358177	Pneumatic Tire (Michelin XZM) .....	1	..
1	1462615	Tubeless Bead Seal .....	1	..
1	1471921	Tubeless Bead Seal Valve .....	1	..
1	1471832	Pneumatic Tire Assembly (6.5 R10 PR) .....	..	1
1	1358178	Pneumatic Tire (Michelin XZM 6.50 R10) .....	..	1
1	1462616	Tubeless Bead Seal .....	..	1
1	1471922	Tubeless Bead Seal Valve .....	..	1
2	2070081	Rim (4.00 x 9) .....	1	..
2	2070083	Rim .....	1	..
2	2067044	Wheel Assy (5.00 x 10) .....	..	1
2	2067045	Rim .....	..	1
3	1584693	Wedge Band .....	1	..
3	1580427	Wedge Band .....	..	1
4	161885	Wheel Side Ring .....	1	..
4	1580426	Wheel Side Ring .....	..	1
5	161884	Wheel Lock Ring .....	1	..
5	161894	Wheel Lock Ring .....	..	1

## STEER TIRES AND WHEELS (FIGURE 13-11) RADIAL — CONTINENTAL



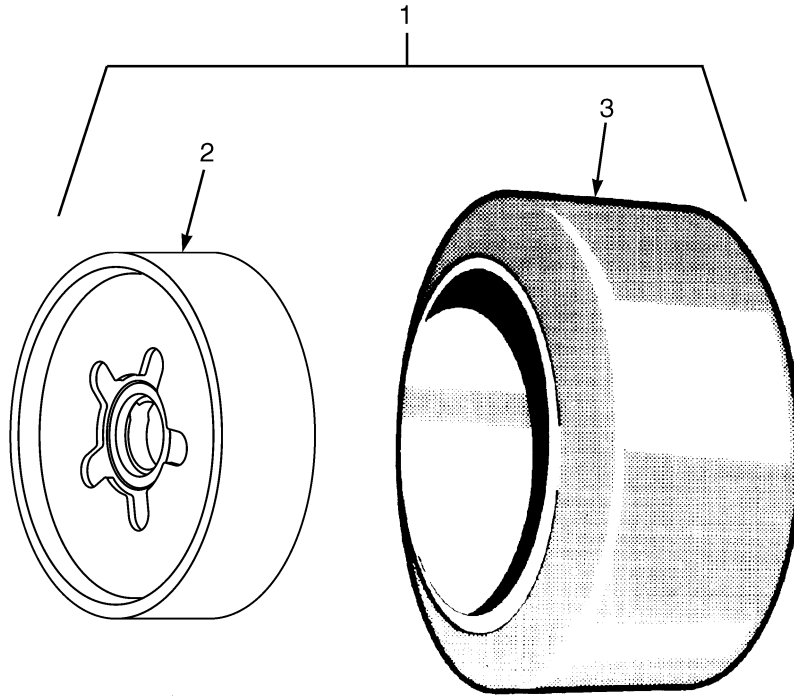
HP240569

**STEER TIRES AND WHEELS  
RADIAL – CONTINENTAL****KEY:****A: 6.00 R9 Pneumatic****B: 6.50 R10 Pneumatic**

ITEM	PART NO.	DESCRIPTION	QTY	
			A	B
	4102962	Wheel And Tire (CB/WH) .....	2	..
	4102978	Wheel And Tire (CB/WH) .....	..	2
1	4102966	Pneumatic Tire Assembly .....	1	..
1	4029455	Tire .....	1	..
1	4102948	Tire Tube .....	1	..
1	4102956	Tire Flap .....	1	..
1	4102967	Pneumatic Tire .....	..	1
1	4029456	Tire .....	..	1
1	4102949	Tire Tube .....	..	1
1	4102957	Tire Flap .....	..	1
2	2070081	Rim (4.00 x 9) .....	1	..
2	2070083	Rim .....	1	..
2	2067044	Wheel Assy (5.00 x 10) .....	..	1
2	2067045	Rim .....	..	1
3	1584693	Wedge Band .....	1	..
3	1580427	Wedge Band .....	..	1
4	161885	Wheel Side Ring .....	1	..
4	1580426	Wheel Side Ring .....	..	1
5	161884	Wheel Lock Ring .....	1	..
5	161894	Wheel Lock Ring .....	..	1
	<b>a</b> 1394500	Plate (Valve Stem) .....	1	..

**FOOTNOTES:****a** Not Illustrated

## STEER TIRES AND WHEELS (FIGURE 13-12) SMOOTH TREAD — TRELLEBORG



BP220337

**KEY:**

**A: 6.00 x 9 (H2.0-2.5FT)**

**B: 6.50 x 10 (H2.0-3.5FT)**

ITEM	PART NO.	DESCRIPTION	QTY	
			A	B
1	1545002	Wheel And Tire (CB/WH) .....	2	..
1	1545005	Wheel And Tire (CB/WH) .....	..	2
1	1603467	Wheel And Tire (CB/WH) (Non Marking Compound) .....	2	..
1	1603469	Wheel And Tire (CB/WH) (Non Marking Compound) .....	..	2
2	2070083	Rim .....	1	..
2	2067045	Rim .....	..	1
3	1543062	Solid Pneumatic Tire .....	1	..
3	1539639	Solid Pneumatic Tire .....	..	1
3	1603491	Solid Pneumatic Tire (Non-Marking Compound) .....	1	..
3	1603493	Solid Pneumatic Tire (Non Marking Compound) .....	..	1



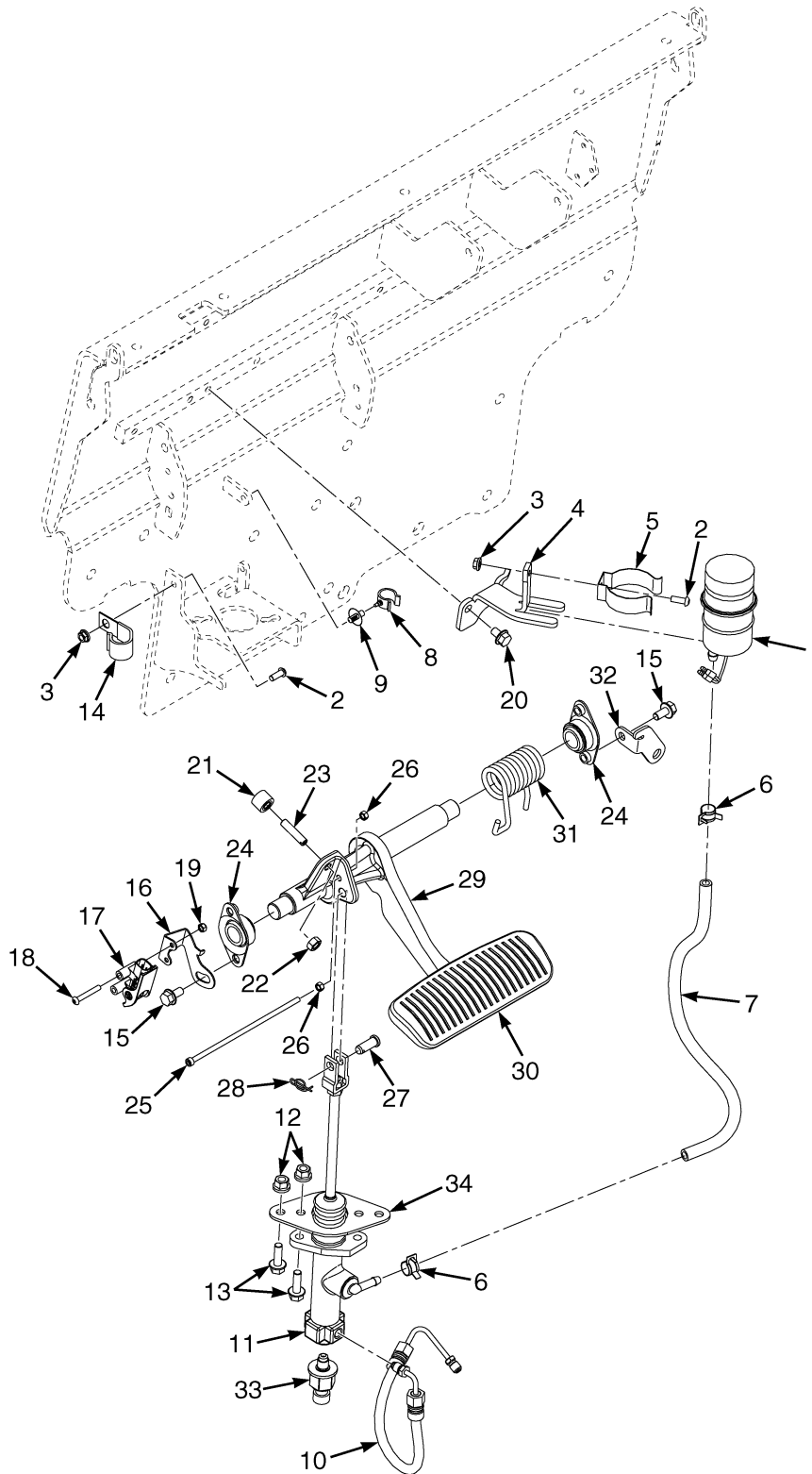




**SECTION 14  
BRAKE SYSTEM**

DESCRIPTION	PAGE
BRAKE ASSEMBLY	
DRY BRAKE .....	14-6
BRAKE COOLING SYSTEM	
SINGLE PEDAL WET BRAKE - WITH DUAL SPEED TRANSMISSION .....	14-14
SINGLE PEDAL WET BRAKE - WITH SINGLE SPEED TRANSMISSION .....	14-16
BRAKE LINKAGE	
SINGLE PEDAL - DRY BRAKE .....	14-2
SINGLE PEDAL - WET BRAKE .....	14-10
BRAKE MASTER CYLINDER ASSEMBLY	
DRY BRAKE .....	14-4
WET BRAKE .....	14-12
PARK BRAKE	
DRY BRAKE .....	14-9
WET BRAKE .....	14-18

## BRAKE LINKAGE (FIGURE 14-1) SINGLE PEDAL — DRY BRAKE

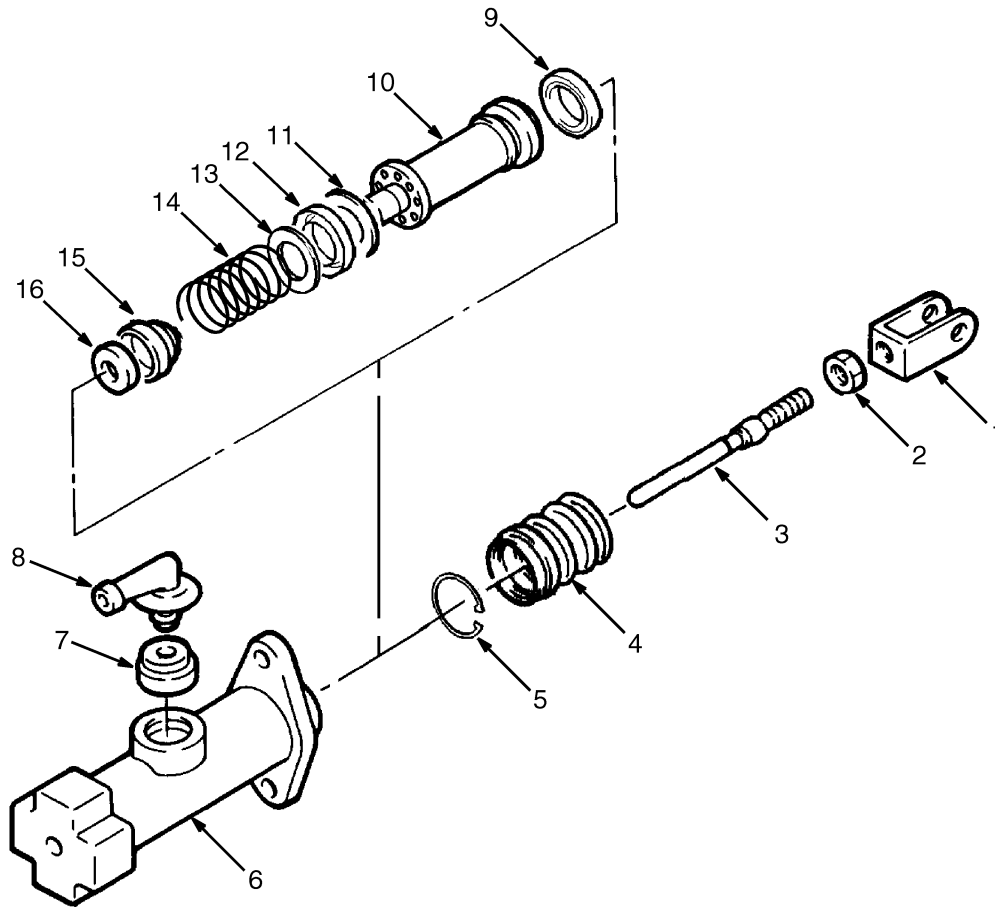


BP040238

**BRAKE LINKAGE  
SINGLE PEDAL – DRY BRAKE**

ITEM	PART NO.	DESCRIPTION	QTY
1	2314223	Reservoir .....	1
1	2021341	Cap .....	1
1	2077604	Tank .....	1
1	2021343	Packing .....	1
2	1510126	Screw (Button Head) .....	2
3	1514429	Nut .....	2
4	1699992	Mount .....	1
5	2021353	Holder .....	1
6	1502003	Hose Clamp .....	2
7	1531569	Hose .....	1
8	1543698	Clamp (Swivel) .....	1
9	1543842	Clamp .....	1
10	2059937	Hose Assy .....	1
11	1536724	Master Cylinder (☞ Figure 14-6).....	1
12	1544153	Locknut .....	4
13	1510113	Capscrew .....	4
14	325897	Clamp .....	1
15	4109993		
	1527879	Capscrew .....	4
16	1688503	Mount .....	1
17	1683486	Sensor (Brake Position) .....	1
18	1553897	Capscrew .....	2
19	302398	Locknut .....	2
20	4011940	Capscrew .....	1
21	1556475	Bumper .....	1
22	239503	Nut .....	1
23	1534871	Bolt .....	1
24	1585575	Bushing .....	2
25	1704902	Capscrew .....	1
26	292668	Nut .....	2
27	1375391	Pin (Rod End) .....	1
28	1351689	Locking Cotter Pin .....	1
29	1707008	Brake Pedal .....	1
30	1570298	Rubber Pad .....	1
31	1568075	Spring (RH) .....	1
32	4053949	Plate .....	1
33	1590033	Transducer (Brake Pressure) .....	1
34	4014682	Adapter (Master Cylinder) .....	1
	2064554	Loctite .....	1

## BRAKE MASTER CYLINDER ASSEMBLY (FIGURE 14-2) DRY BRAKE

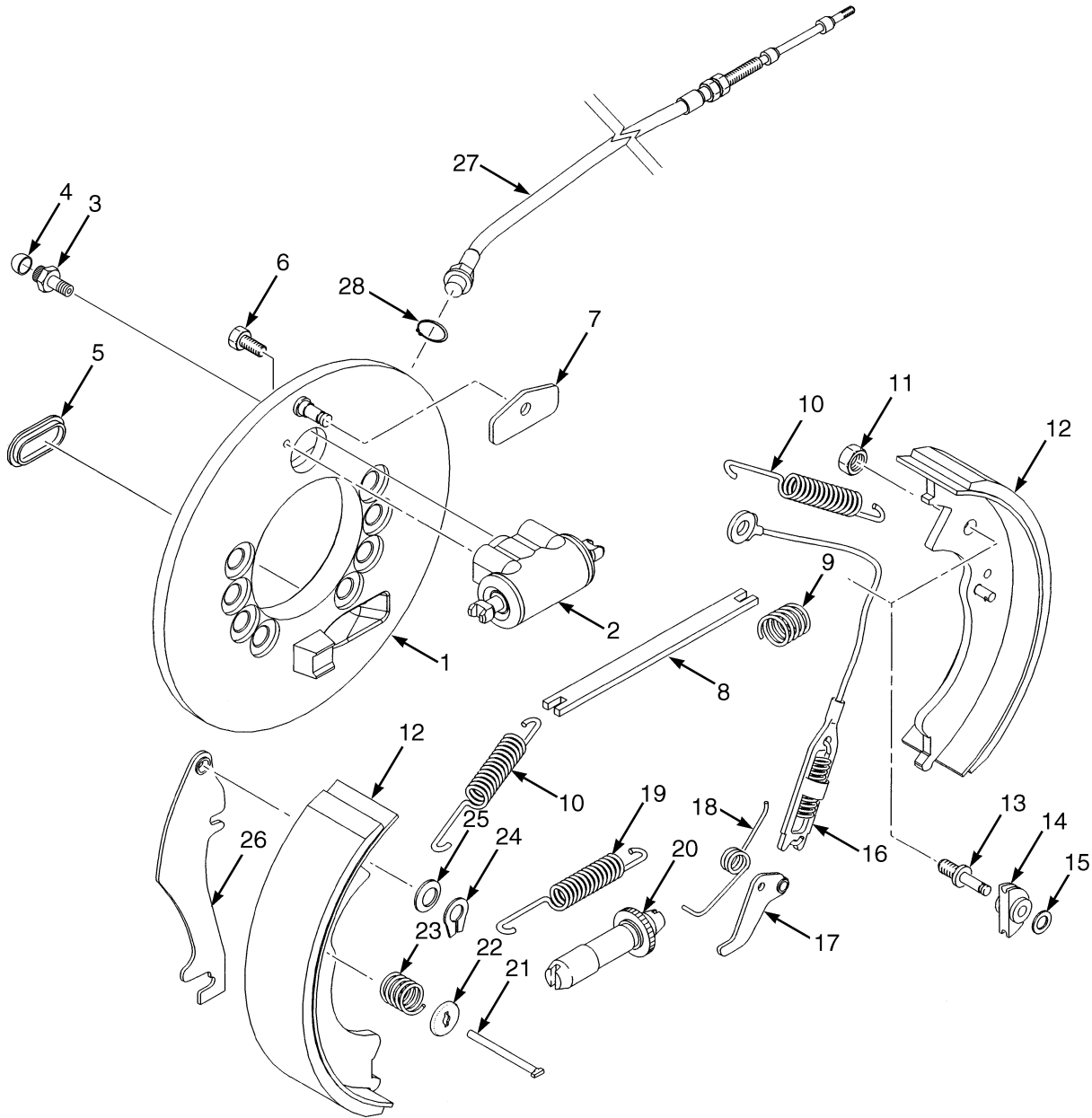


BP040123

ITEM	PART NO.	DESCRIPTION	QTY
	1536724	Master Cylinder .....	1
1	2041520	Yoke .....	1
2	1566142	Nut .....	1
3	1566141	Push Rod .....	1
4	.....	Boot .....	1
5	.....	Snap Ring .....	1
6	.....	Housing .....	1
7	1566144	Gasket .....	1
8	1566143	Fitting .....	1
9	.....	Seal .....	1
10	.....	Piston .....	1
11	.....	Spacer .....	1
12	.....	Piston Cup .....	1
13	.....	Retainer .....	1
14	.....	Spring .....	1
15	.....	Check Valve .....	1
16	.....	Valve Seat .....	1
	1566131	Kit-Repair Master Cylinder .....	1



## BRAKE ASSEMBLY (FIGURE 14-3) DRY BRAKE



BP040047



**BRAKE ASSEMBLY  
DRY BRAKE****KEY:**  
**A: RH**  
**B: LH**

ITEM	PART NO.	DESCRIPTION	QTY	
			A	B
	1579455	Brake Assembly (With Cable and Dust Shield) .....	1	..
	1579454	Brake Assembly (With Cable and Dust Shield) .....	..	1
	1606086	Brake Assembly (Without Cable) .....	1	..
	1606085	Brake Assembly (Without Cable) .....	..	1
1	1606088	Backplate .....	1	..
1	1606087	Backplate .....	..	1
2	1565290	Wheel Cylinder .....	1	1
2	1334647	Kit-Repair Wheel Cylinder .....	1	1
3	<del>1361503</del>			
	4098513	Bleeder Screw .....	1	1
4	1361504	Cap .....	1	1
5	1334642	Cover .....	1	1
6	1565303	Bolt .....	2	2
7	2037343	Wear Plate .....	1	1
8	1360796	Strut .....	1	..
8	1361507	Strut .....	..	1
9	1360797	Spring .....	1	1
10	.....	Spring .....	1	1
11	.....	Nut .....	1	1
12	1565314	Kit-Brake Shoe .....	1	..
12	1565313	Kit-Brake Shoe .....	..	1
13	.....	Pin .....	1	1
14	1334644	Sheave .....	1	1
15	1361500	Washer .....	1	1
16	.....	Cable and Spring Assembly .....	1	1
17	2037518	Lever .....	1	..
17	2037517	Lever .....	..	1
18	.....	Spring .....	1	1
19	2037340	Spring .....	1	1
20	1600492	Adjuster .....	1	..
20	1600491	Adjuster .....	..	1
21	2037323	Pin .....	1	1
22	2037341	Cup .....	1	1
23	.....	Spring .....	1	1
24	1338916	Retainer .....	1	1
25	1338917	Washer .....	1	1
26	.....	Park Brake Lever .....	1	1
27	1565305	Parking Brake Cable .....	1	..
27	1600493	Parking Brake Cable .....	..	1
28	1361502	Snap Ring .....	1	1
	1565316	Kit-Spring .....	1	1
	1565310	Kit-Adjuster (RH) .....	1	..
	1565309	Kit-Adjuster (LH) .....	..	1
	1565312	Kit-Park Brake (RH) .....	1	..
	1565311	Kit-Repair Parking Brake (LH) .....	..	1

## BRAKE ASSEMBLY DRY BRAKE

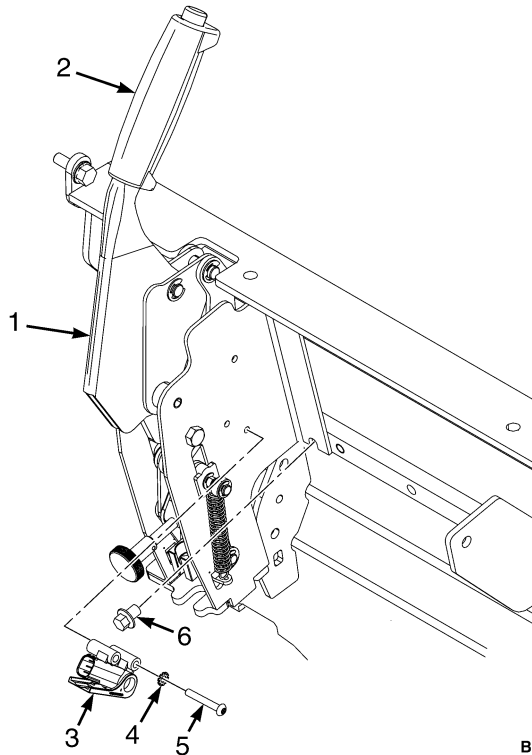
KEY:

A: RH

B: LH

ITEM	PART NO.	DESCRIPTION	QTY	
			A	B
	1565315	Kit-Hold Down .....	1	1

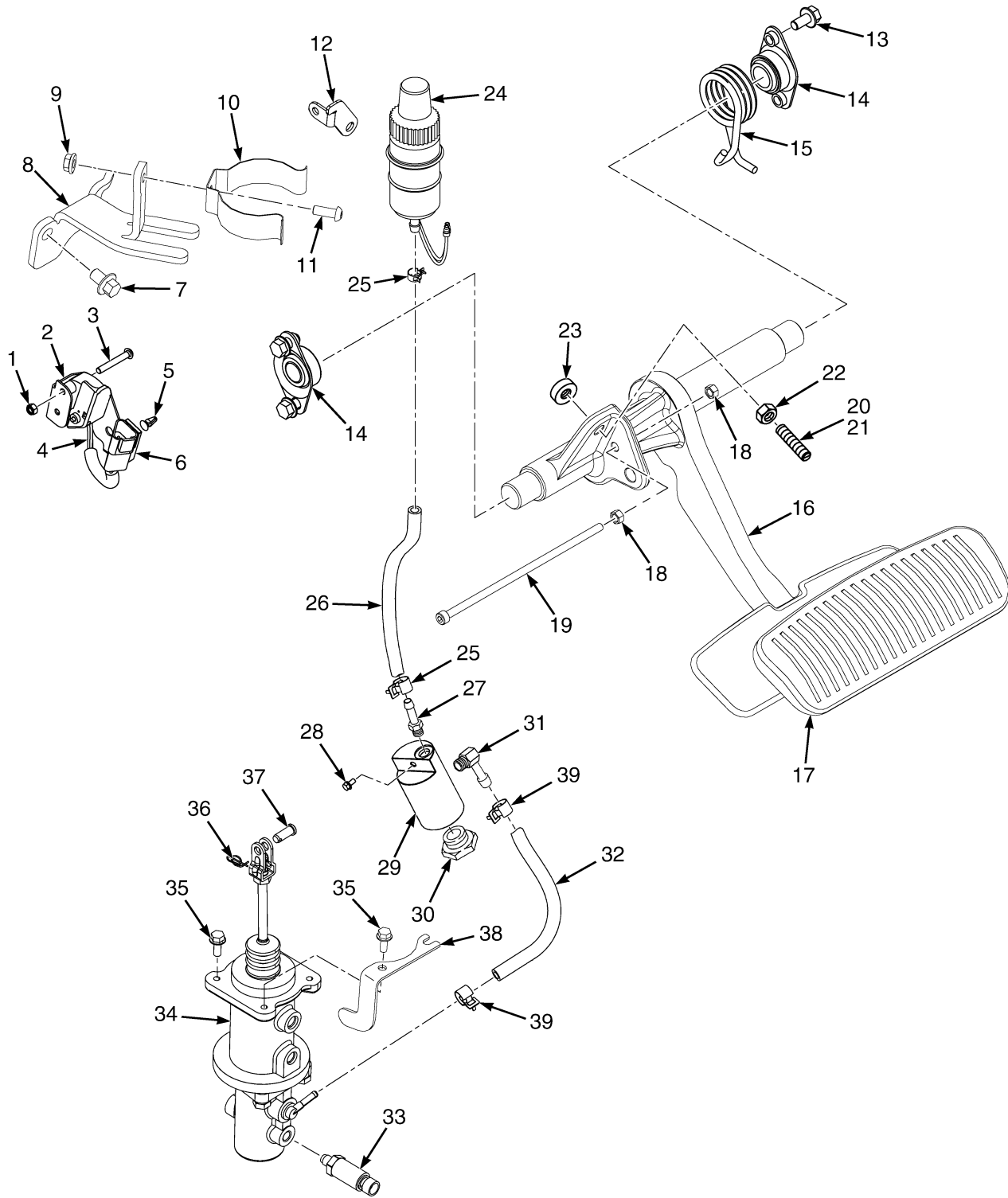
**PARK BRAKE (FIGURE 14-4)  
DRY BRAKE**



BP040148

ITEM	PART NO.	DESCRIPTION	QTY
1	4039374	Parking Brake Assembly .....	1
2	4039367	Parking Brake Lever .....	1
3	1683486	Sensor (Brake Position) .....	1
4	296378	Washer .....	2
5	1701768	Screw .....	2
6	4011940	Capscrew .....	4

## BRAKE LINKAGE (FIGURE 14-5) SINGLE PEDAL — WET BRAKE

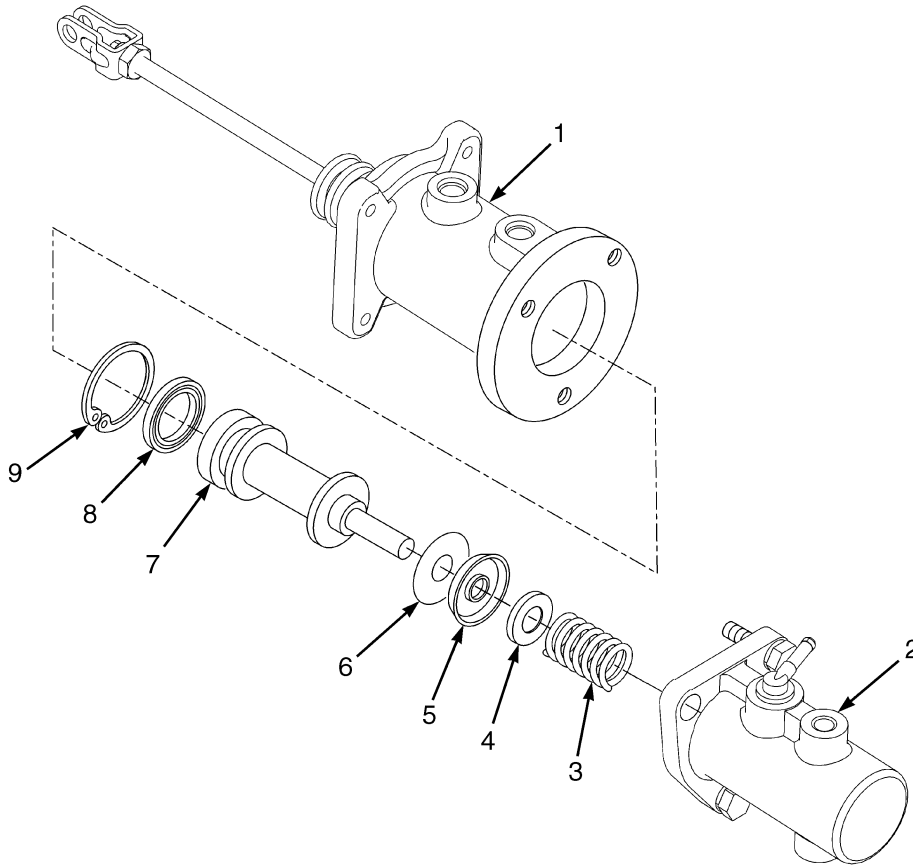


BP040241

**BRAKE LINKAGE  
SINGLE PEDAL – WET BRAKE**

ITEM	PART NO.	DESCRIPTION	QTY
1	302398	Locknut .....	2
2	1688503	Mount .....	1
3	1553897	Capscrew .....	2
4	1683486	Sensor (Brake Position) .....	1
5	1564526	Clip (Key Hole) .....	1
6	1500912	Clip .....	1
7	4011940	Capscrew .....	1
8	1699992	Mount .....	1
9	1514429	Nut .....	1
10	2021353	Holder .....	1
11	1510126	Screw (Button Head) .....	1
12	4053949	Plate .....	1
13	4109993		
	1527879	Capscrew .....	4
14	1585575	Bushing .....	2
15	1568075	Spring (RH) .....	1
16	4014374	Brake Pedal .....	1
17	1570298	Rubber Pad .....	1
18	292668	Nut .....	2
19	1704902	Capscrew .....	1
20	1534871	Bolt .....	1
21	2064554	Loctite .....	AR
22	239503	Nut .....	1
23	1556475	Bumper .....	1
24	1646439	Reservoir .....	1
24	2077604	Tank .....	1
24	1645381	Diaphragm .....	1
24	1646397	Cap .....	1
25	166857	Clamp .....	2
26	2092888	Hose .....	1
27	222491	Fitting .....	1
27	16481	O-Ring .....	1
28	1527876	Capscrew .....	1
29	2092613	Cylinder Block .....	1
30	233683	Fitting .....	1
30	16487	O-Ring .....	1
31	222509	Fitting .....	1
31	16481	O-Ring .....	1
32	117989	Hose .....	1
33	1590033	Transducer (Brake Pressure) .....	1
34	1703607	Master Cylinder (☞Figure 14-6).....	1
35	1527880	Capscrew .....	4
36	1351689	Locking Cotter Pin .....	1
37	1375391	Pin (Rod End) .....	1
38	1670905	Bracket .....	1
39	168718	Clamp .....	2

## BRAKE MASTER CYLINDER ASSEMBLY (FIGURE 14-6) WET BRAKE

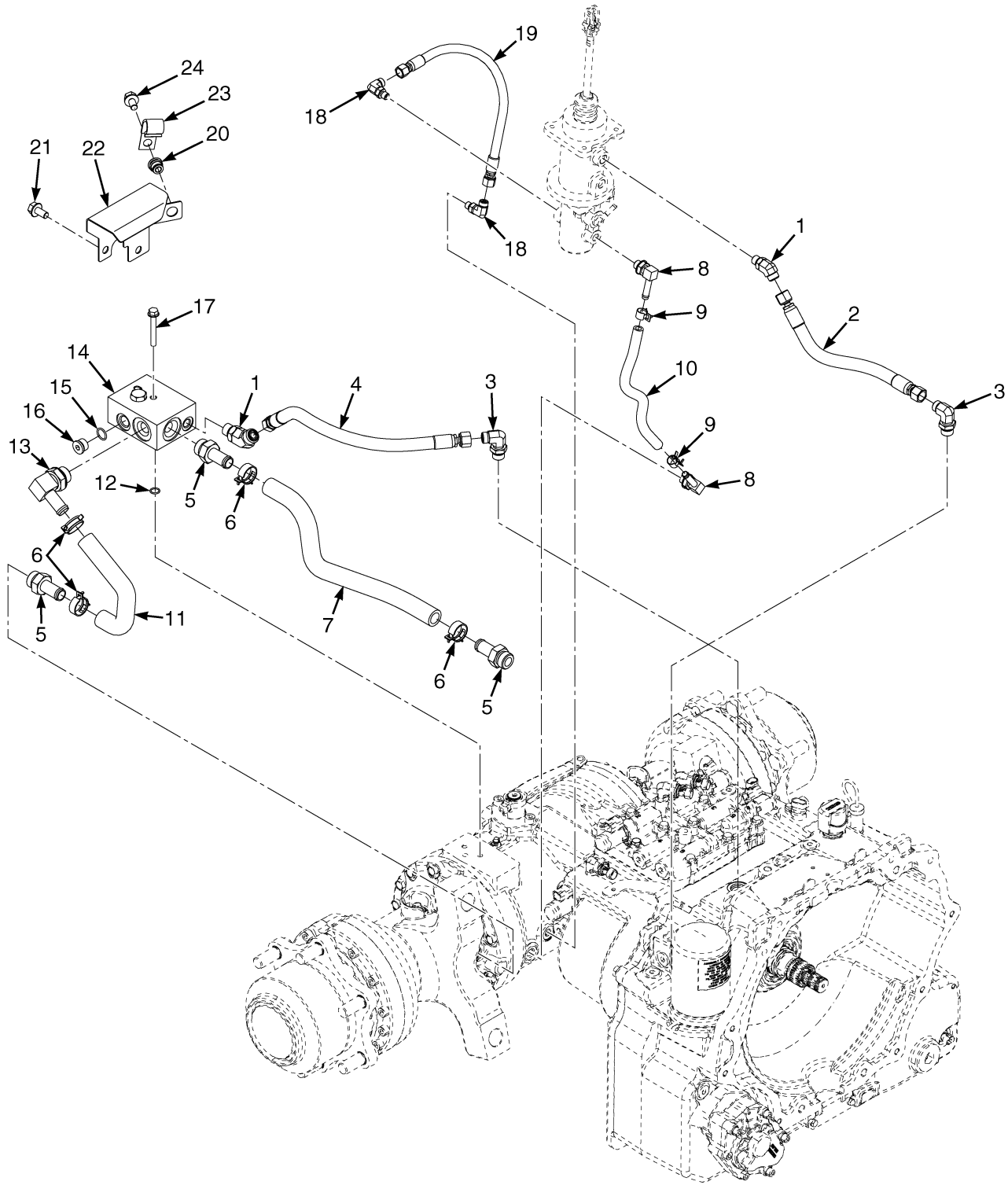


BP040065

ITEM	PART NO.	DESCRIPTION	QTY
	1703607	Master Cylinder (38.1 Bore) .....	1
1	1670332	Brake Booster .....	1
1	1692229	Kit-Repair Brake Booster .....	1
2	1670334	Master Cylinder .....	1
2	4064894	Kit-Repair Minor-Master Cyl .....	1
3	.....	Spring .....	1
4	.....	Retainer .....	1
5	.....	Seal (Pressure) .....	1
6	.....	Washer .....	1
7	.....	Piston .....	1
8	.....	Seal (Retaining) .....	1
9	.....	Snap Ring .....	1
	1620023	Kit-Repair Major-Master Cyl (38.1 Bore) .....	1
	1620024	Kit-Repair Minor-Master Cyl (38.1 Bore) .....	1



## BRAKE COOLING SYSTEM (FIGURE 14-7) SINGLE PEDAL WET BRAKE — WITH DUAL SPEED TRANSMISSION



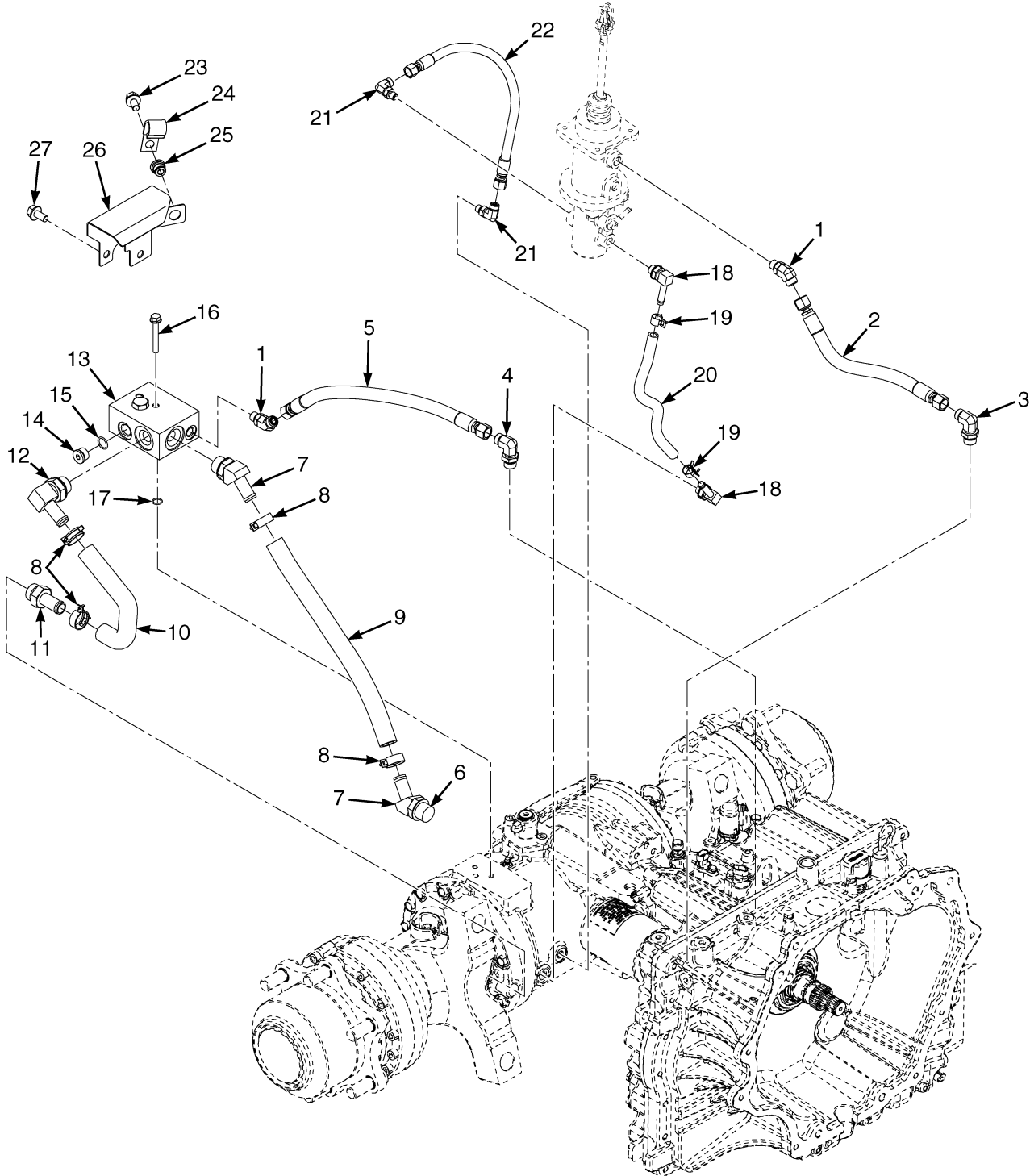
BP040180



**BRAKE COOLING SYSTEM**  
**SINGLE PEDAL WET BRAKE – WITH DUAL SPEED TRANSMISSION**

ITEM	PART NO.	DESCRIPTION	QTY
1	1516199	Fitting .....	2
2	2095227	Hose Assy (Torque Converter to Master Cylinder) .....	1
3	1487061	Fitting .....	2
4	2095228	Hose Assy (Torque Converter) .....	1
5	17758	Fitting .....	3
5	16486	O-Ring .....	2
6	1502009	Hose Clamp .....	4
7	4606207	Hose (Transmission Return) .....	1
8	17221	Fitting .....	2
8	16483	O-Ring .....	1
9	1569616	Hose Clamp .....	2
10	2083928	Hose .....	1
11	2072897	Hose (Coolant) .....	1
12	265731	O-Ring .....	1
13	17775	Fitting .....	1
13	16486	O-Ring .....	1
14	2083971	Manifold .....	1
14	1616054	Check Valve .....	1
15	1616055	O-Ring .....	1
16	235691	Fitting .....	1
17	1510116	Capscrew .....	2
18	1487058	Fitting .....	2
19	2083955	Hose Assy (Brake Actuation) .....	1
20	1531557	Insert .....	1
21	4109993		
	1527879	Capscrew .....	2
22	1588577	Bracket .....	1
23	325804	Clamp .....	1
24	1613324	Capscrew .....	1

## BRAKE COOLING SYSTEM (FIGURE 14-8) SINGLE PEDAL WET BRAKE — WITH SINGLE SPEED TRANSMISSION

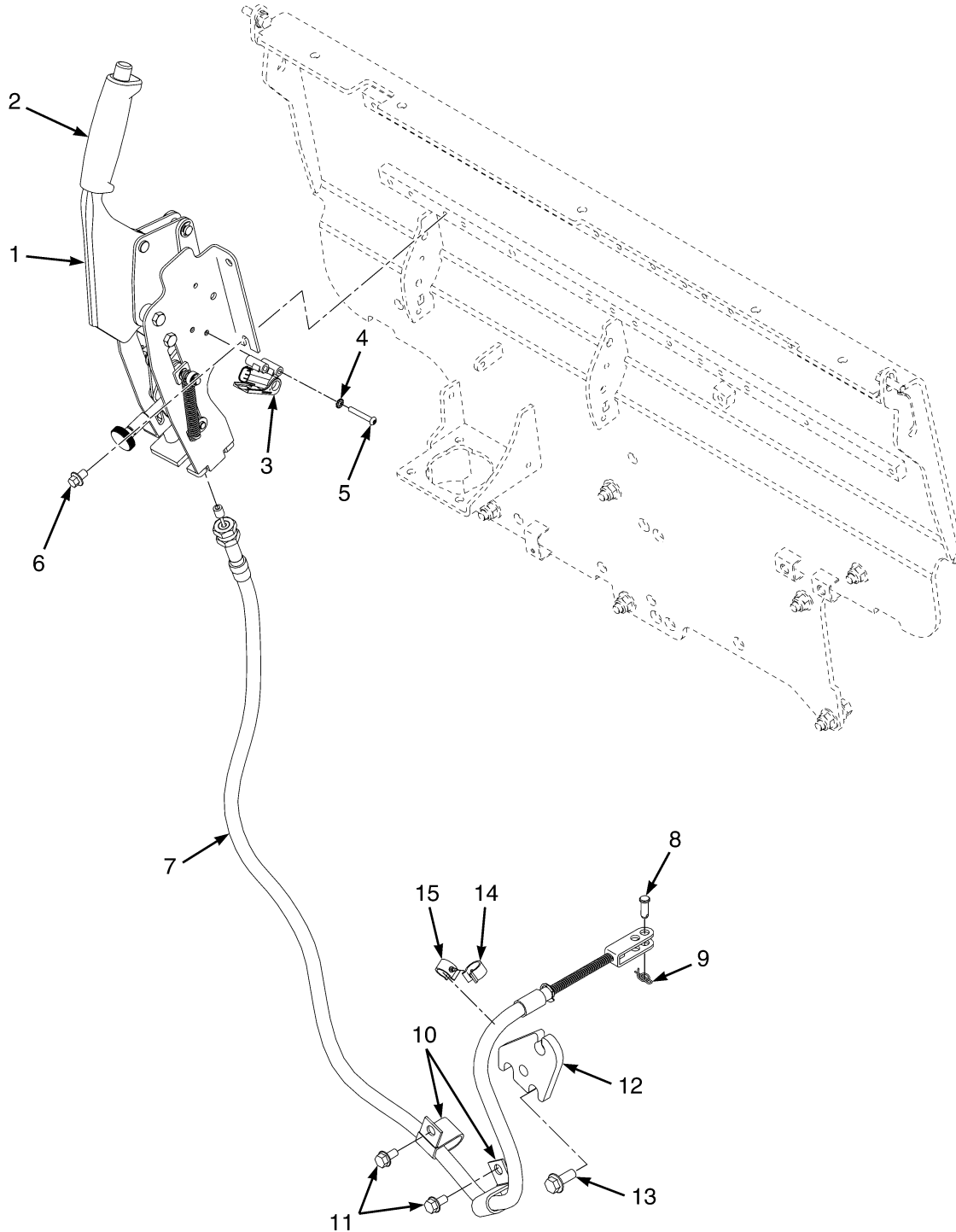


BP040181

**BRAKE COOLING SYSTEM**  
**SINGLE PEDAL WET BRAKE – WITH SINGLE SPEED TRANSMISSION**

ITEM	PART NO.	DESCRIPTION	QTY
1	1516199	Fitting .....	2
2	2095227	Hose Assy .....	1
3	.....	Fitting .....	1
4	1487061	Fitting .....	1
5	2110267	Hose Assy (To Torque Converter) .....	1
6	4002394	Fitting .....	1
6	16486	O-Ring .....	1
7	222505	Fitting .....	2
7	16486	O-Ring .....	1
8	1502009	Hose Clamp .....	4
9	4612188	Hose Assy .....	1
10	2072897	Hose (Coolant Wet Disc Brake) .....	1
11	17758	Fitting .....	1
11	16486	O-Ring .....	1
12	17775	Fitting .....	1
12	16486	O-Ring .....	1
13	4607793	Manifold .....	1
14	.....	Fitting .....	1
15	.....	O-Ring .....	1
16	1510116	Capscrew .....	2
17	265731	O-Ring .....	1
18	17221	Fitting .....	2
18	16483	O-Ring .....	1
19	1569616	Hose Clamp .....	2
20	2083928	Hose .....	1
21	1487058	Fitting .....	2
22	2083955	Hose Assy .....	1
23	1613324	Capscrew .....	1
24	325804	Clamp .....	1
25	1531557	Insert .....	1
26	1588577	Bracket .....	1
27	4109993		
	1527879	Capscrew .....	2

## PARK BRAKE (FIGURE 14-9) WET BRAKE



BP040234

**PARK BRAKE  
WET BRAKE**

ITEM	PART NO.	DESCRIPTION	QTY
1	4039376	Parking Brake Assembly .....	1
2	4039369	Parking Brake Lever .....	1
3	1683486	Sensor (Brake Position) .....	1
4	296378	Washer .....	2
5	1701768	Screw .....	2
6	4011940	Capscrew .....	4
7	4611578	Parking Brake Cable .....	1
8	240724	Pin (Rod End) .....	1
9	1530010	Lockring (Cotter Pin) .....	1
10	1326653	Clamp .....	2
11	4109993	Capscrew .....	2
12	1527879	Plate (Cable Mount) .....	1
13	1657226	Capscrew .....	3
14	1510117	Clamp (Swivel) .....	1
15	1543698	Clamp (Swivel) .....	1
	1606544	Clamp (Swivel) .....	1





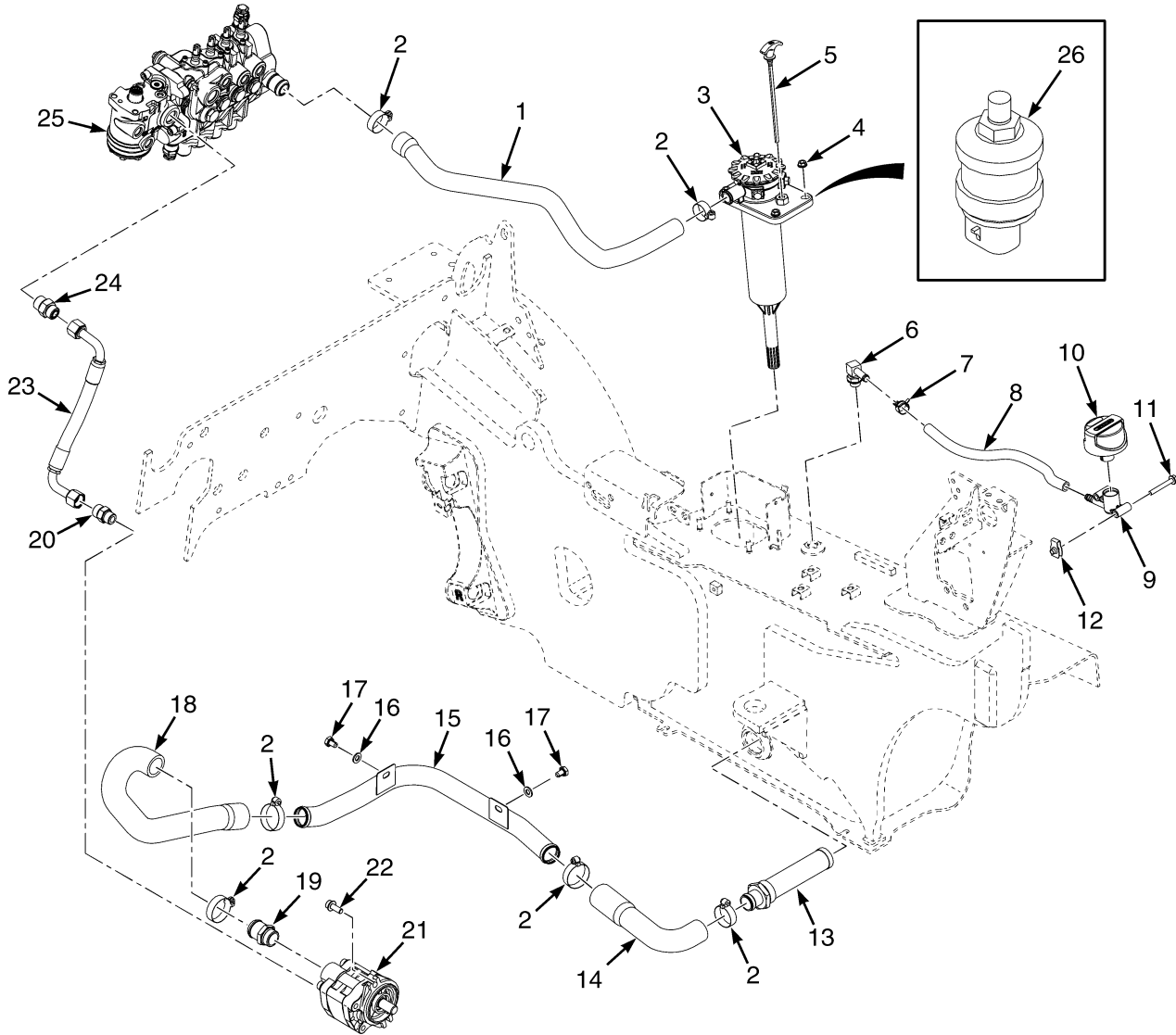




## SECTION 15 HYDRAULIC SYSTEM

DESCRIPTION	PAGE
AUXILIARY ONE AND TWO	
MANUAL CONTROL VALVE - THREE AND FOUR FUNCTION .....	15-38
AUXILLIARY HOSES	
THREE STAGE FULL FREE LIFT - TWO STAGE LIMITED FREE-LIFT .....	15-20
CONTROL VALVE ASSEMBLY	
MANUAL CONTROL - THREE AND FOUR FUNCTION .....	15-30
CONTROL VALVE LOCKOUT GROUP	
MANUAL CONTROL VALVE .....	15-32
ELECTRONIC VALVE AUXILIARY ONE SECTION	
THREE AND FOUR FUNCTION .....	15-50
ELECTRONIC VALVE AUXILIARY TWO SECTION	
FOUR FUNCTION .....	15-52
ELECTRONIC VALVE LIFT SECTION	
WITH VARIABLE DISPLACEMENT PUMP .....	15-46
ELECTRONIC VALVE OUTLET SECTION	
THREE AND FOUR FUNCTION .....	15-54
ELECTRONIC VALVE TILT SECTION	
THREE AND FOUR FUNCTION .....	15-48
ELECTRONIC VALVE TRANSITION SECTION	
WITH VARIABLE DISPLACEMENT PUMP .....	15-44
GEAR PUMP ASSEMBLY	
HIGH PRESSURE .....	15-10
LOW PRESSURE - CHAIN DRIVE OPTION .....	15-8
HAND LEVERS	
FOUR FUNCTION - WITH DETENTED LEVERS .....	15-26
FOUR FUNCTION - WITHOUT DETENTED LEVERS .....	15-28
THREE FUNCTION - WITH DETENTED LEVERS .....	15-22
THREE FUNCTION - WITHOUT DETENTED LEVERS .....	15-24
HYDRAULIC CONTROL VALVE	
ELECTRONIC VALVE ASSEMBLY - THREE AND FOUR FUNCTION-WITH VDP .....	15-42
HYDRAULIC FILTER .....	15-14
HYDRAULIC HOSES	
LIFT, TILT, AND AUXILIARY .....	15-16
HYDRAULIC SUPPLY AND RETURN	
WITH ALUMINUM TRANSMISSION - WITH CHAIN DRIVE .....	15-2
WITH VARIABLE DISPLACEMENT PUMP .....	15-4
MANUAL VALVE ANTI STALL GROUP	
SINGLE SPEED TRANSMISSION .....	15-34
OUTLET SECTION	
MANUAL CONTROL VALVE - THREE AND FOUR FUNCTION .....	15-40
TILT CYLINDER AND MAST INSTALLATION .....	15-56
TILT CYLINDERS	
H2.0-2.5FT .....	15-58
H3.0-3.5FT .....	15-60
VALVE ASSEMBLY, LIFT AND TILT	
MANUAL CONTROL VALVE - THREE AND FOUR FUNCTION .....	15-36
VARIABLE DISPLACEMENT PUMP ASSEMBLY	
TWO SPEED TRANSMISSION - CHAIN DRIVE OPTION .....	15-12

## HYDRAULIC SUPPLY AND RETURN (FIGURE 15-1) WITH ALUMINUM TRANSMISSION — WITH CHAIN DRIVE



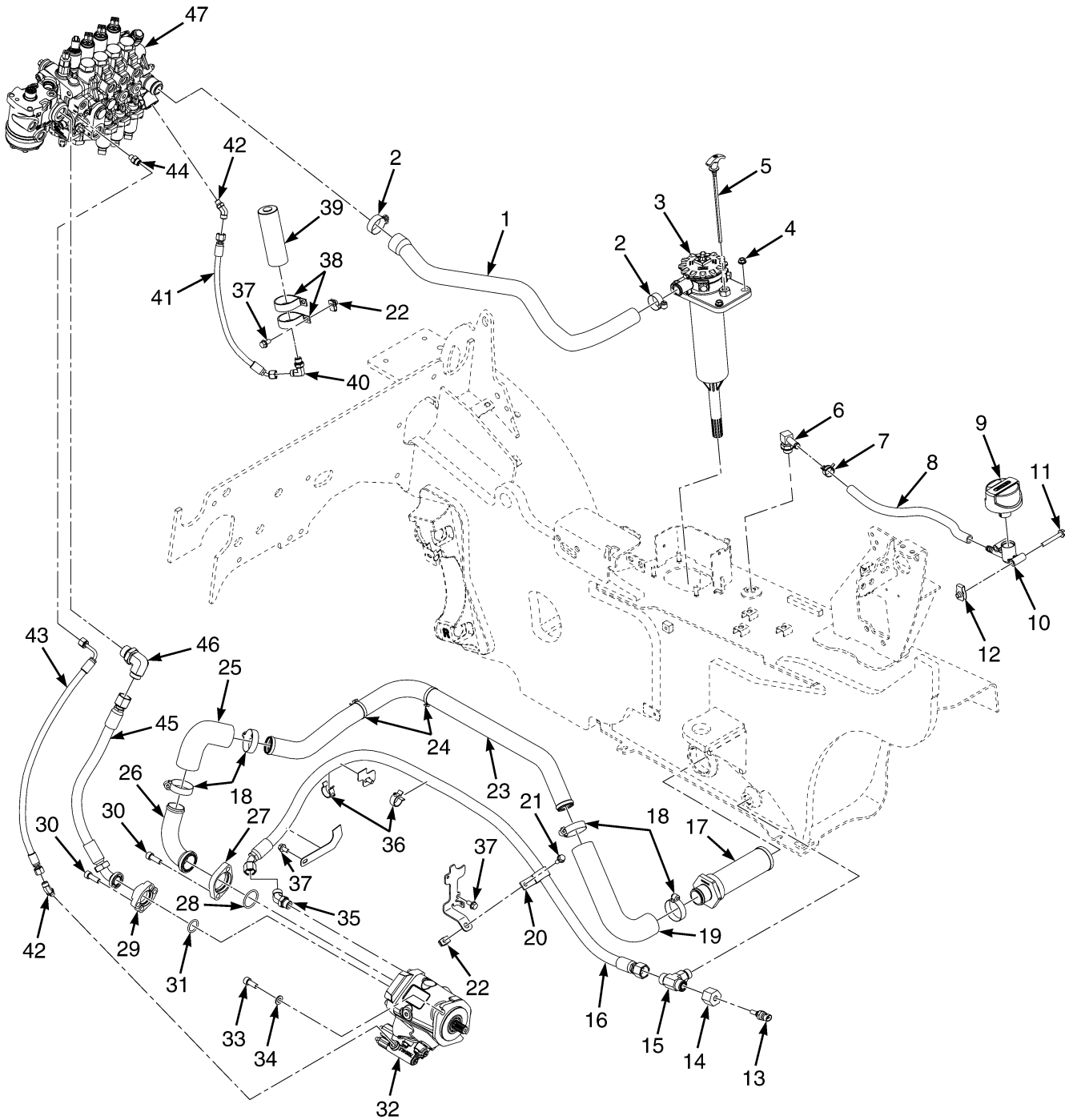
BP150452

**HYDRAULIC SUPPLY AND RETURN  
WITH ALUMINUM TRANSMISSION – WITH CHAIN DRIVE**

ITEM	PART NO.	DESCRIPTION	QTY
1	2111369	Hose (Hydraulic Return 3 Function Valve) .....	1
1	2111370	Hose (Hydraulic Return 4 Function Valve) .....	1
2	369804	Clamp .....	6
3	.....	Hydraulic Filter (☞Figure 15-6).....	1
4	1502543	Nut (Flange) .....	2
5	2060751	Dipstick .....	1
6	222510	Fitting .....	1
7	1502007	Hose Clamp .....	1
8	1502123	Hose .....	1
8	127918	Hose (Optional) .....	1
9	1582160	Adapter (Breather) .....	1
10	1582161	Breather .....	1
11	1510116	Capscrew .....	2
12	1393879	Nut .....	2
13	1624904	Strainer .....	1
13	16984	O-Ring .....	1
14	4605974	Hose .....	1
15	4026661	Tube Assy .....	1
16	296420	Washer .....	2
17	292513	Capscrew .....	2
18	4605946	Hose .....	1
19	1568199	Adapter (Suction) .....	1
20	<b>c</b> 1486749	Fitting .....	1
20	<b>b</b> 4028685	Adapter .....	1
21	.....	Gear Pump (☞Figure 15-3, ☞Figure 15-4).....	1
22	1564515	Capscrew .....	2
23	<b>c</b> 4612085	Hose Assy .....	1
23	<b>b</b> 4611861	Hose Assy .....	1
24	1486751	Fitting .....	1
24	<b>b</b> 4028686	Adapter .....	1
25	.....	Hydraulic Control Valve (☞Figure 15-13).....	1
26	2068337	Pressure Switch .....	1
	264159	Adhesive .....	AR
	<b>a</b> 1528481	Plug (With O-Ring for Drain) (Hydraulic Tank Drain) .....	1

**FOOTNOTES:****a** Not Illustrated**b** With Quick-lock Option**c** Without Quick-lock Option

## HYDRAULIC SUPPLY AND RETURN (FIGURE 15-2) WITH VARIABLE DISPLACEMENT PUMP



BP150444

**HYDRAULIC SUPPLY AND RETURN  
WITH VARIABLE DISPLACEMENT PUMP****KEY:****A: With 1-Speed Transmission****B: With 2-Speed Transmission**

ITEM	PART NO.	DESCRIPTION	QTY	
			A	B
1	2111369	Hose (Hydraulic Return 3 Function Valve) .....	1	1
1	2111370	Hose (Hydraulic Return 4 Function Valve) .....	1	1
2	369804	Clamp .....	2	2
3	4000257	Hydraulic Filter (☞Figure 15-6).....	1	1
4	1502543	Nut (Flange) .....	4	4
5	2060751	Dipstick .....	1	1
6	222510	Fitting .....	1	1
6	16484	O-Ring .....	1	1
7	1502007	Hose Clamp .....	1	1
8	1502123	Hose .....	1	1
9	1582161	Breather .....	1	1
10	1582160	Adapter (Breather) .....	1	1
11	1510116	Capscrew .....	2	2
12	1393879	Nut .....	2	2
13	1515654	Temperature Sensor .....	1	1
14	4003165	Fitting .....	1	1
15	1532650	Fitting .....	1	1
16	4606331	Hose Assy .....	1	..
16	4614652	Hose Assy .....	..	1
17	4604580	Strainer .....	1	1
17	18909	O-Ring .....	1	1
18	369804	Clamp .....	4	4
19	4604910	Hose .....	1	1
20	140612	Hose Clamp .....	..	1
21	1527880	Capscrew .....	..	1
22	1480237	Nut .....	2	3
23	4026661	Tube Assy .....	1	..
23	4043573	Tube Assy .....	..	1
24	1644398	Clamp (Swivel) .....	1	2
25	4603912	Hose .....	1	..
25	4606333	Hose .....	..	1
26	222586	Fitting .....	1	1
27	4004390	Flange .....	1	1
28	199917	O-Ring .....	1	1
29	160266	Clamp (Split Half) .....	2	2
30	296026	Capscrew .....	6	6
31	210641	O-Ring .....	1	1
32	.....	Gear Pump (☞Figure 15-5).....	1	1
33	1564515	Capscrew .....	2	2
34	.....	Washer .....	2	2
35	1486750	Fitting .....	1	..
35	1473887	Fitting .....	..	1
36	198678	Clamp .....	2	..
36	1542436	Clamp (Swivel) .....	1	2
37	4109993	Capscrew .....	3	5

## HYDRAULIC SUPPLY AND RETURN WITH VARIABLE DISPLACEMENT PUMP

**KEY:**

**A:** With 1-Speed Transmission

**B:** With 2-Speed Transmission

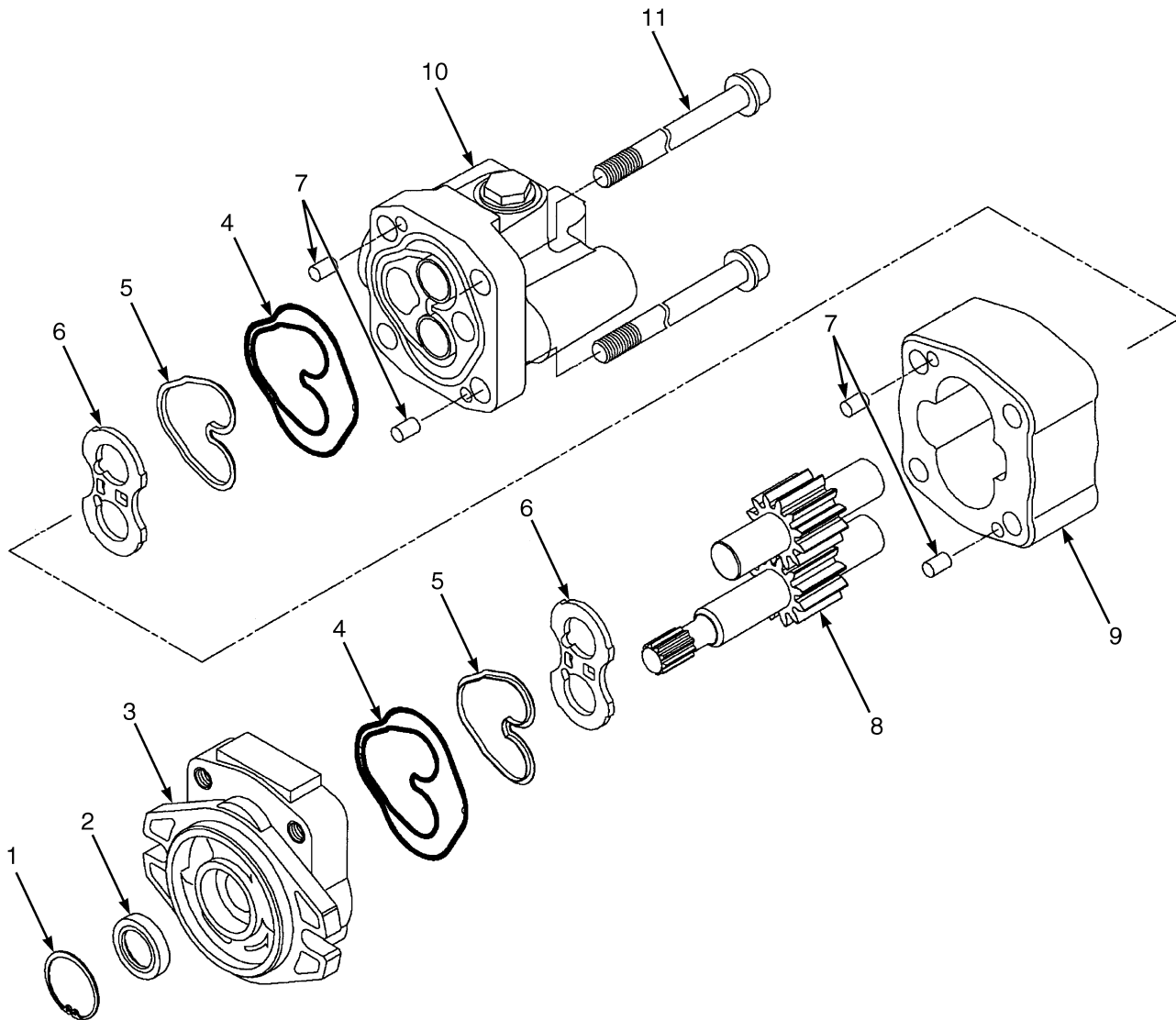
ITEM	PART NO.	DESCRIPTION	QTY	
			A	B
	1527879			
38	181899	Clamp .....	2	2
39	4609405	Accumulator .....	1	1
40	1487059	Fitting .....	1	1
41	4613340	Hose Assy .....	1	1
42	1516197	Fitting .....	1	2
43	4613342	Hose Assy .....	1	..
43	4616882	Hose Assy .....	..	1
44	1487058	Fitting .....	1	..
44	1486737	Fitting .....	..	2
45	4603913	Hose Assy .....	1	..
45	4606334	Hose Assy .....	..	1
46	1486751	Fitting .....	1	..
46	1487069	Fitting .....	..	1
47	.....	Hydraulic Control Valve (☞Figure 15-19).....	1	1
	264159	Adhesive .....	AR	AR
	a 292513	Capscrew .....	2	..
	a 296420	Washer .....	2	..
	a 198678	Clamp .....	2	..
	a 1487058	Fitting .....	1	..
	a 1528481	Plug (With O-Ring for Drain) (Hydraulic Tank Drain) .....	1	1

**FOOTNOTES:**

**a** Not Illustrated



## GEAR PUMP ASSEMBLY (FIGURE 15-3) LOW PRESSURE — CHAIN DRIVE OPTION



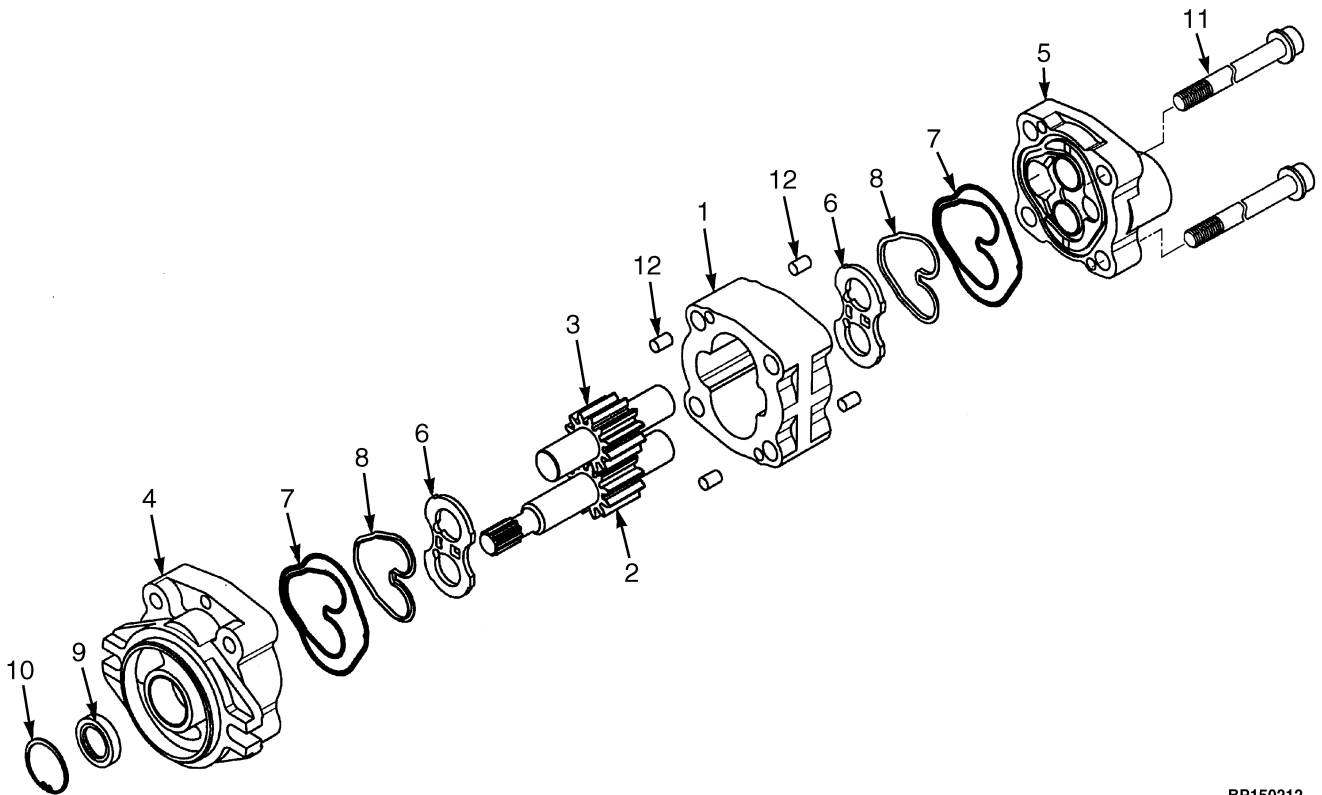
BP150098



**GEAR PUMP ASSEMBLY**  
**LOW PRESSURE – CHAIN DRIVE OPTION****KEY:****A: Kubota 2.5L****B: PSI 2.4L**

ITEM	PART NO.	DESCRIPTION	QTY	
			A	B
	2067802	Gear Pump (29.4 cc/Rev) .....	1	..
	2074230	Gear Pump (25.7 cc/Rev) .....	..	1
1	.....	Snap Ring .....	1	1
2	.....	Oil Seal .....	1	1
3	1581536	Flange .....	1	1
4	.....	Back-Up Seal .....	2	2
5	.....	Plate Seal .....	2	2
6	1578673	Side Plate .....	2	2
7	1578672	Dowel .....	4	4
8	1581534	Gear Set .....	1	..
8	1584987	Gear Set .....	..	1
8	.....	Drive Gear .....	1	1
8	.....	Driven Gear .....	1	1
9	.....	Gear Plate .....	1	1
10	1581835	Capscrew .....	1	1
11	1578671	Screw .....	..	4
11	1578693	Screw .....	4	..
	1465140	Kit-Seal .....	1	1

## GEAR PUMP ASSEMBLY (FIGURE 15-4) HIGH PRESSURE

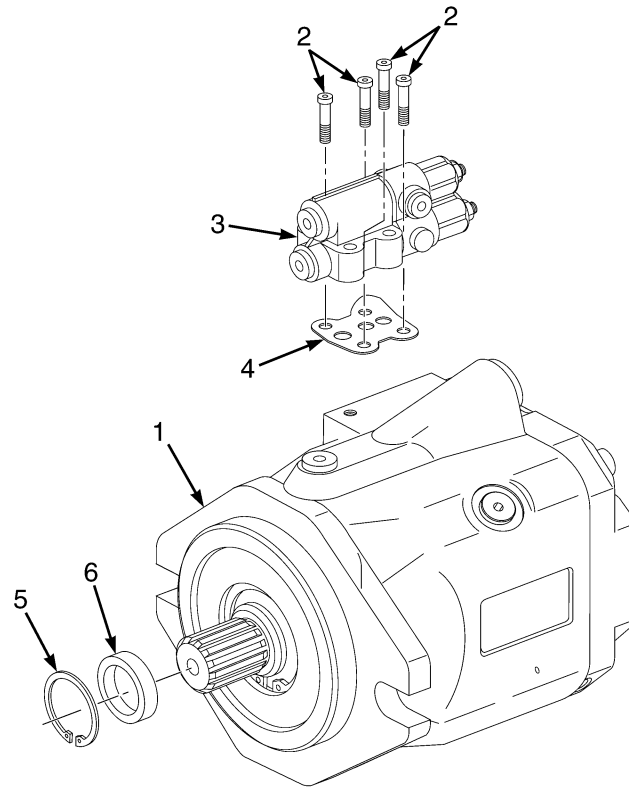


BP150212

**GEAR PUMP ASSEMBLY  
HIGH PRESSURE****KEY:****A: PSI 2.4L and Yanmar 2.6L****B: Kubota 2.5L and Yanmar 3.3L**

ITEM	PART NO.	DESCRIPTION	QTY	
			A	B
	2098694	Gear Pump (25.7 cc/Rev) .....	1	..
	2098693	Gear Pump (29.4 cc/Rev) .....	..	1
1	.....	Gear Plate .....	1	..
1	.....	Gear Plate .....	..	1
2	.....	Drive Gear .....	1	..
2	.....	Drive Gear .....	..	1
3	.....	Driven Gear .....	1	..
3	.....	Driven Gear .....	..	1
4	1581536	Flange .....	1	1
5	1578665	Cover .....	1	1
6	1578673	Side Plate .....	2	2
7	.....	Plate Seal .....	2	2
8	.....	Back-Up Ring .....	2	2
9	.....	Oil Seal .....	1	1
10	.....	Snap Ring .....	1	1
11	1578671	Screw .....	4	..
11	1578693	Screw .....	..	4
12	1578672	Dowel .....	4	4
	1584987	Gear Set .....	1	..
	1581534	Gear Set .....	..	1
	1465140	Kit-Seal .....	1	1

## VARIABLE DISPLACEMENT PUMP ASSEMBLY (FIGURE 15-5) TWO SPEED TRANSMISSION — CHAIN DRIVE OPTION

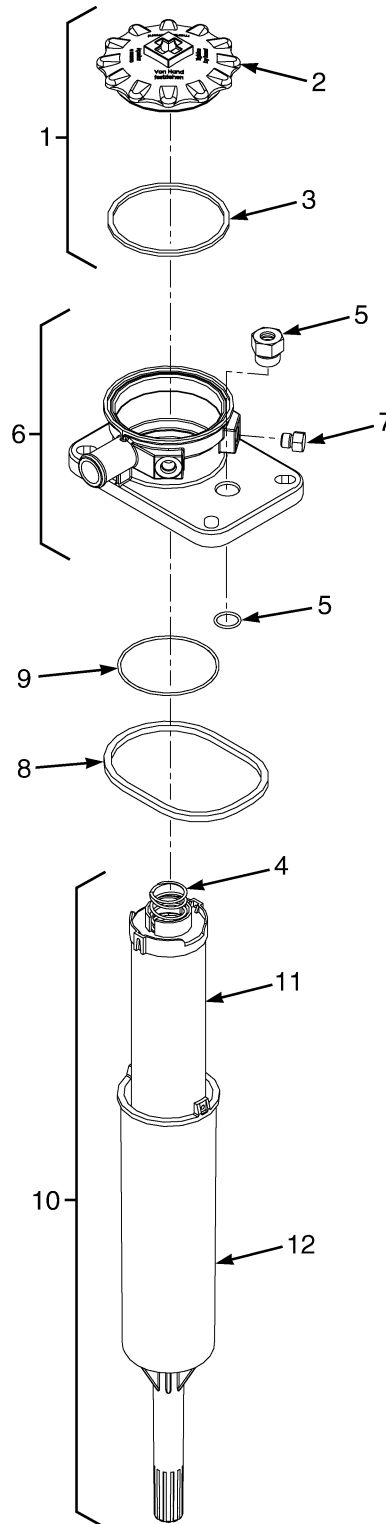


BP150445

ITEM	PART NO.	DESCRIPTION	QTY
1	4608080	Pump (24 cc) .....	1
1	4604072	Pump (26 cc) .....	1
1	4604073	Pump (28 cc) .....	1
2	4021485	Screw .....	4
3	4021523	Valve .....	1
4	4021490	Seal .....	1
5	4021536	Seal .....	1
6	4021492	Retaining Ring .....	1
	4038423	Kit Variable Replacement Pump Shaft Seal Replacement .....	1
	4038489	Kit VDP Shaft Seal Replacement and Tool .....	1



## HYDRAULIC FILTER (FIGURE 15-6)

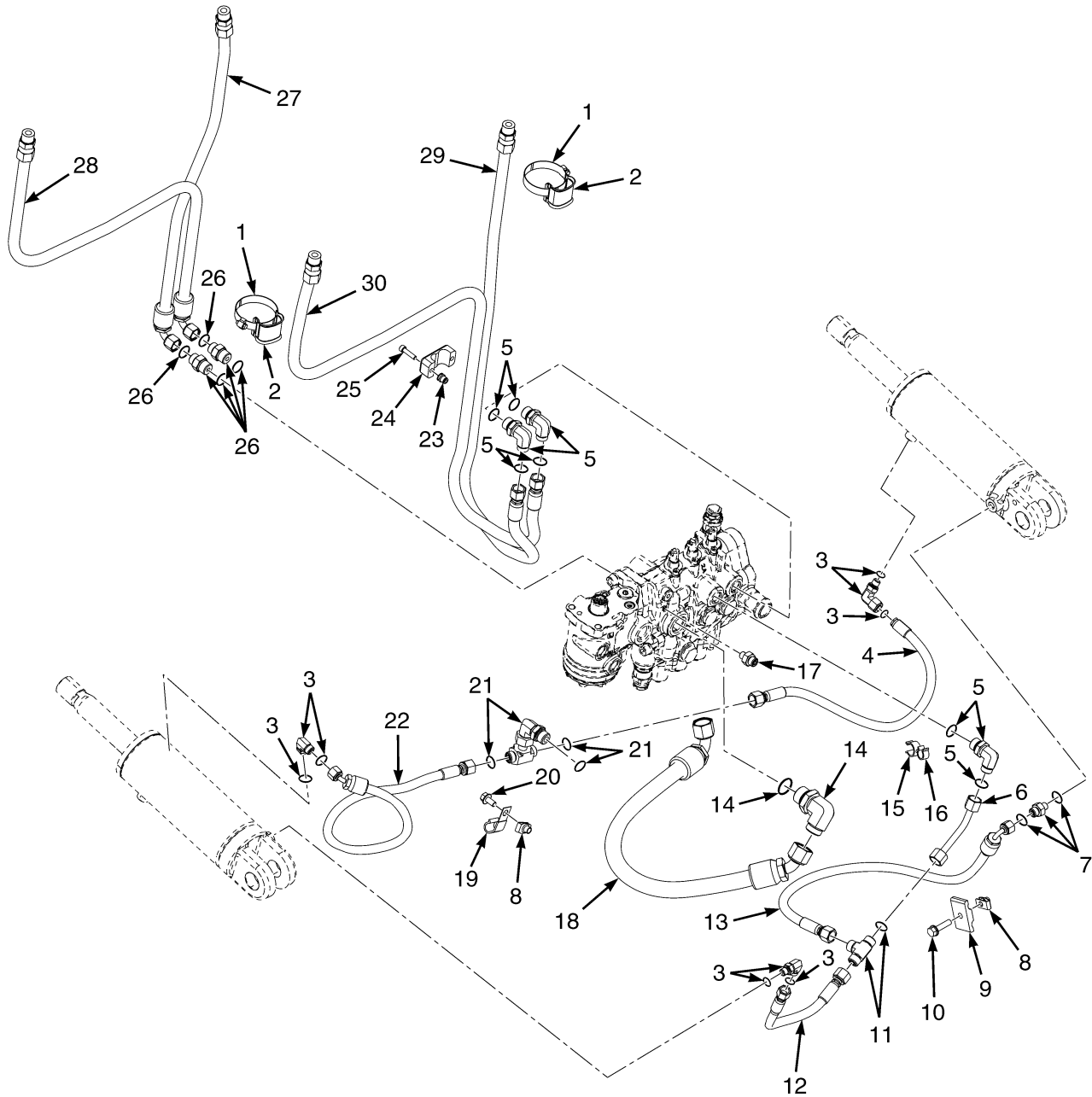


BP150355

**HYDRAULIC FILTER**

ITEM	PART NO.	DESCRIPTION	QTY
	4000256	Hydraulic Filter Assembly .....	1
1	1708700	Cap Assembly .....	1
2	1570339	Lid .....	1
3	1705548	O-Ring .....	1
4	1570340	Spring .....	1
5	4003067	Dipstick Holder .....	1
5	.....	O-ring .....	1
6	4000257	Hydraulic Filter Head Assembly .....	1
7	14591	Plug .....	2
7	16481	O-Ring .....	1
8	.....	Quad Ring (Tank Sealing) .....	1
9	.....	O-Ring (Element) .....	1
10	4000258	Hydraulic Filter (Bowl Assembly) .....	1
11	.....	Element .....	1
12	1570347	Filter Can (Bowl) .....	1
	1708596	Kit-Seal .....	1
	1707194	Kit-Filter Element and Cap Seal .....	1

## HYDRAULIC HOSES (FIGURE 15-7) LIFT, TILT, AND AUXILIARY



HP150984



**HYDRAULIC HOSES  
LIFT, TILT, AND AUXILIARY****KEY:****A: Three Function****B: Four Function**

ITEM	PART NO.	DESCRIPTION	QTY	
			A	B
1	1617657	Clamp .....	1	2
2	1477996	Hose Clamp .....	1	2
3	1487058	Fitting .....	3	3
3	1527813	O-Ring .....	3	3
3	16481	O-Ring .....	3	3
4	2066783	Hose Assy (Tilt) .....	1	1
5	1487061	Fitting (Electronic Valve) .....	3	3
5	265787	O-Ring .....	1	1
5	16484	O-Ring .....	1	1
5	1487061	Fitting (Manual Valve) .....	1	1
5	265787	O-Ring .....	1	1
5	16484	O-Ring .....	1	1
5	1516201	Fitting (Manual Valve) .....	1	1
5	265731	O-Ring .....	1	1
5	16484	O-Ring .....	1	1
6	4606301	Tube Assy (Electronic Valve) .....	1	1
6	4604147	Tube Assy (Manual Valve) .....	1	1
7	1486737	Fitting .....	1	1
7	16481	O-Ring .....	1	1
7	16483	O-Ring .....	1	1
8	1480237	Nut .....	2	2
9	1359620	Clamp .....	1	1
10	1586627	Capscrew .....	1	1
11	1522425	Fitting .....	1	1
11	265787	O-Ring .....	1	1
12	4606302	Hose Assy .....	1	1
13	4606303	Hose Assy .....	1	1
14	1487069	Fitting (Hoist) .....	1	1
14	1605768	Fitting (Load Weigh Display) .....	1	1
14	252729	O-Ring .....	1	1
15	1502055	Clamp (Swivel) .....	1	1
16	1502059	Clamp (Swivel) .....	1	1
17	2061646	Fitting (Diagnostic) .....	1	1
18	<b>a</b> 2084536	Hose Assembly (Main Mast To Lowering Control Valve) .....	1	1
18	<b>b</b> 4624930	Hose Assy (Hoist) (Main Mast To Lowering Control Valve) .....	1	1
19	325804	Clamp .....	1	1
20	1613324	Capscrew .....	1	1
21	1488464	Fitting .....	1	1
21	265787	O-Ring .....	2	2
22	2074325	Hose Assy .....	1	1
23	1531558	Insert .....	2	..
24	1360386	Clamp (Double Hose) .....	1	..
25	293796	Capscrew .....	2	..
26	1486742	Fitting .....	2	2
26	265787	O-Ring .....	2	2

## HYDRAULIC HOSES LIFT, TILT, AND AUXILIARY

**KEY:**  
**A:** Three Function  
**B:** Four Function

ITEM	PART NO.	DESCRIPTION	QTY	
			A	B
26	16484	O-Ring .....	2	2
27	<b>a</b> 2065051	Hose Assy .....	1	..
27	<b>b</b> 4624925	Hose Assy (☞Figure 15-8).....	1	..
28	<b>a</b> 2065052	Hose Assy .....	..	1
28	<b>b</b> 4624925	Hose Assy (☞Figure 15-8).....	..	1
29	<b>a</b> 2073495	Hose Assy .....	1	..
29	<b>b</b> 4624924	Hose Assy (☞Figure 15-8).....	1	..
30	<b>a</b> 2073496	Hose Assy .....	..	1
30	<b>b</b> 4624926	Hose Assy (☞Figure 15-8).....	..	1

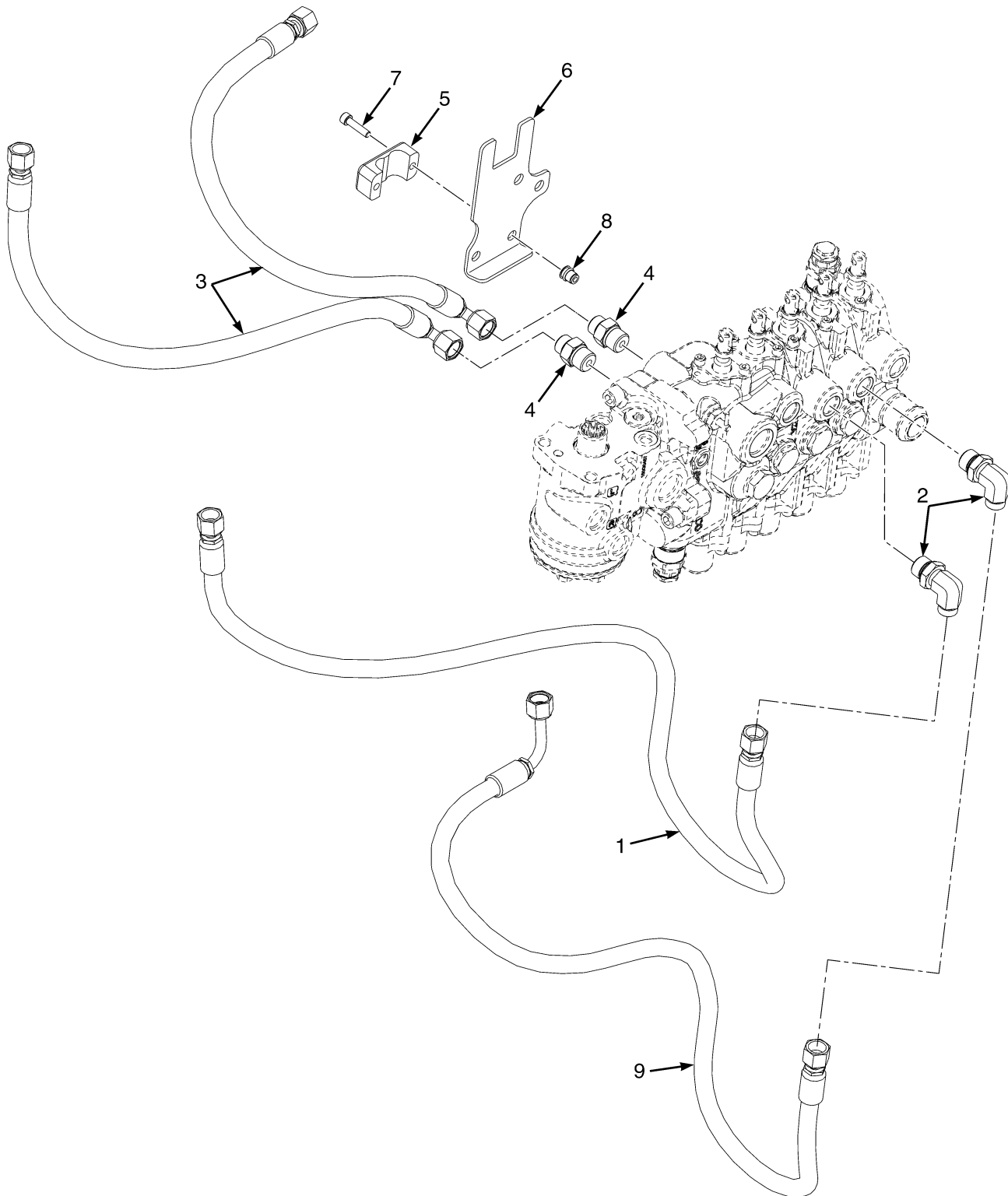
**FOOTNOTES:**

**a** Two Stage Full Free-Lift Shown

**b** Two Stage LFL and Three Stage FFL



## AUXILLIARY HOSES (FIGURE 15-8) THREE STAGE FULL FREE LIFT — TWO STAGE LIMITED FREE-LIFT



BP150644

**AUXILLIARY HOSES**  
**THREE STAGE FULL FREE LIFT – TWO STAGE LIMITED FREE-LIFT**

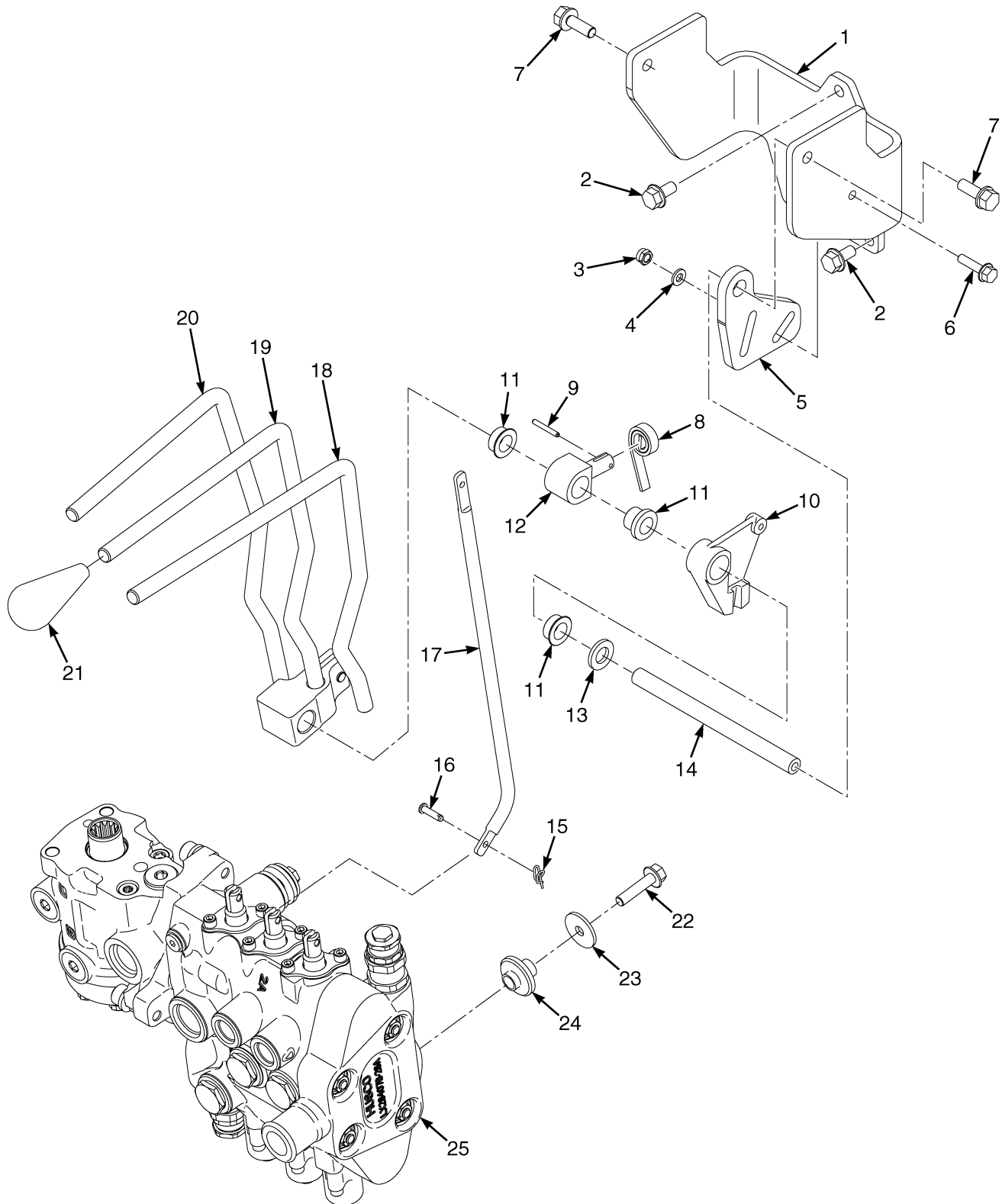
**KEY:**

**A: Three Function**

**B: Four Function**

ITEM	PART NO.	DESCRIPTION	QTY	
			A	B
1	4624924	Hose Assy .....	1	1
2	1487061	Fitting .....	1	2
3	4624925	Hose Assy .....	1	2
4	1486742	Fitting .....	1	2
5	1360386	Clamp (Double Hose) .....	1	1
6	4064677	Plate .....	1	1
7	293796	Capscrew .....	2	2
8	1531558	Insert .....	2	2
9	4624926	Hose Assy .....	..	1

## HAND LEVERS (FIGURE 15-9) THREE FUNCTION — WITH DETENTED LEVERS

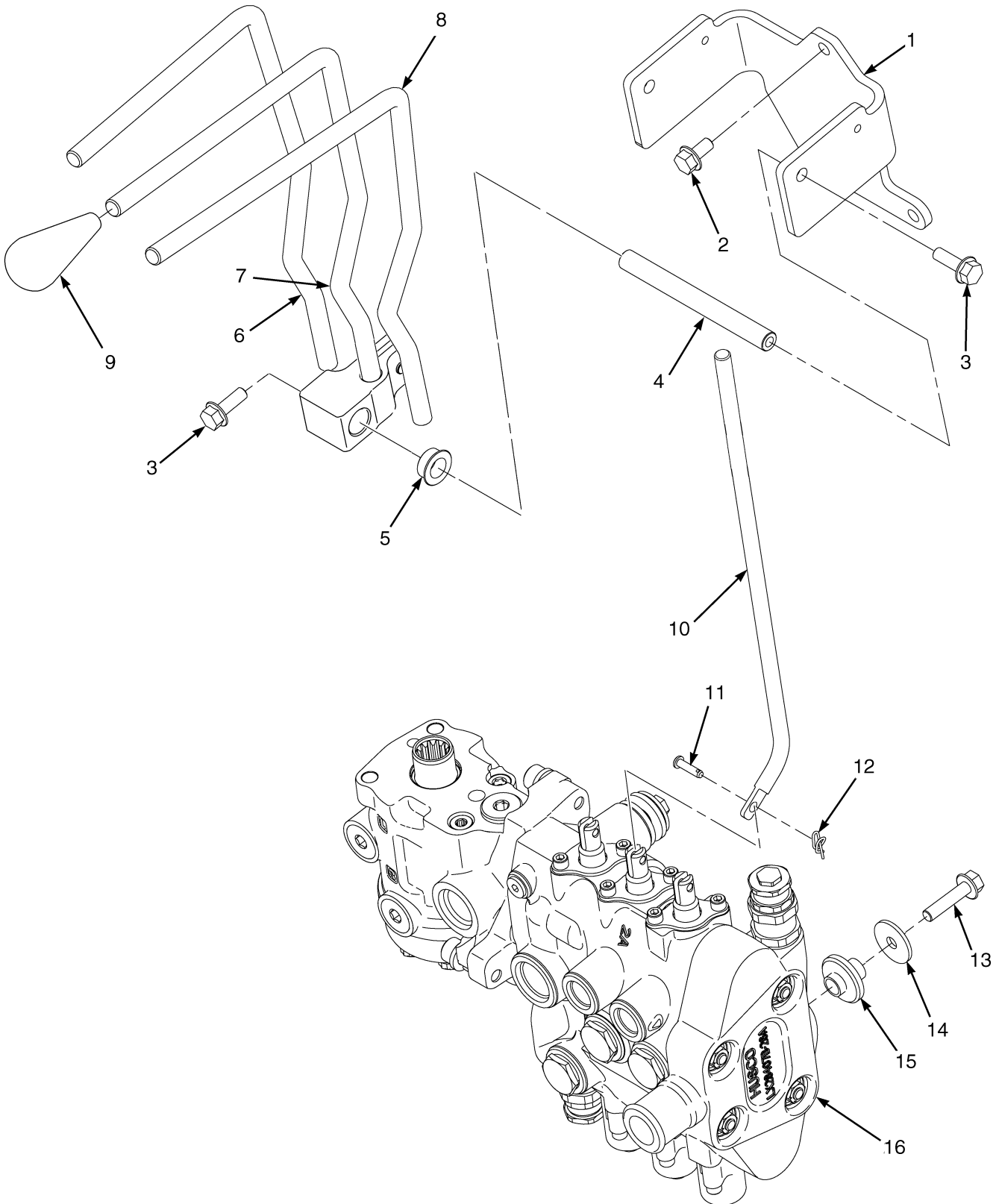


BP150484

**HAND LEVERS  
THREE FUNCTION – WITH DETENTED LEVERS**

ITEM	PART NO.	DESCRIPTION	QTY
1	1670194	Bracket .....	1
2	4109993		
	1527879	Capscrew .....	3
3	316834	Nut .....	1
4	4093489		
	320156	Washer .....	1
5	1670677	Plate .....	1
6	1527878	Capscrew .....	1
7	1583611	Capscrew .....	2
8	175861	Spring .....	1
9	302428	Roll Pin .....	1
10	1542546	Lever .....	2
11	1564747	Bushing .....	10
12	306113	Pin (Selector) .....	1
13	320161	Washer .....	3
14	1670195	Shaft (Pivot) .....	1
15	1517361	Locking Ring Cotter Pin .....	6
16	309109	Pin .....	6
17	1662420	Link .....	3
18	2099398	Lever (Auxiliary One and Two) .....	1
19	2099394	Lever (Tilt) .....	1
20	2099393	Lever (Lift) .....	1
21	4038182	Knob .....	3
22	1586627	Capscrew .....	3
23	1346752	Washer .....	3
24	2063991	Isolator .....	3
25	4629069	Hyd Control Valve (Manual) (H2.0-3.0FT) (☞Figure 15-13).....	1
25	4629073	Hyd Control Valve (Manual) (H3.5FT) (☞Figure 15-13).....	1

## HAND LEVERS (FIGURE 15-10) THREE FUNCTION — WITHOUT DETENTED LEVERS



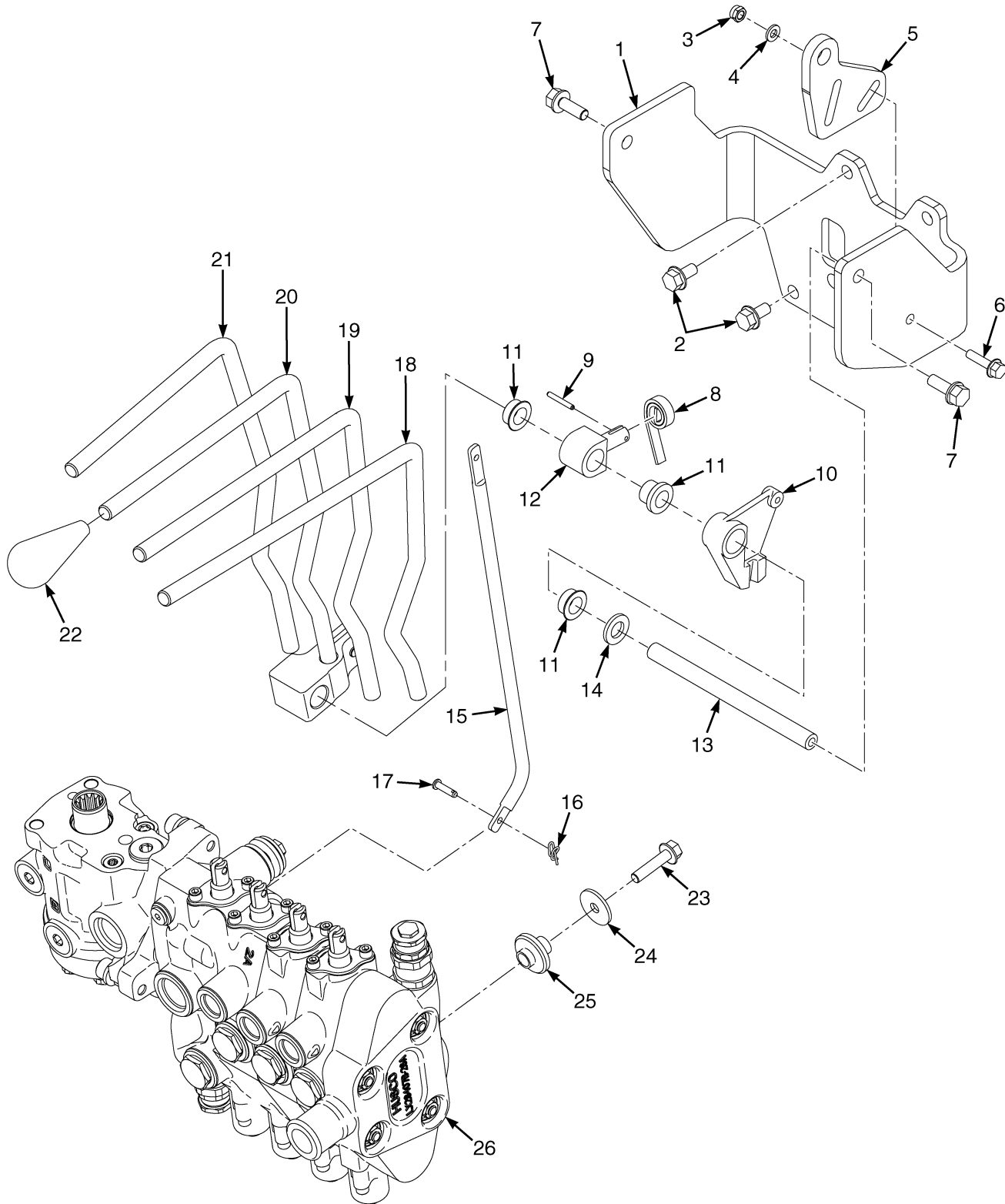
BP150076



**HAND LEVERS**  
**THREE FUNCTION – WITHOUT DETENTED LEVERS**

ITEM	PART NO.	DESCRIPTION	QTY
1	1665746	Bracket .....	1
2	4109993		
	1527879	Capscrew .....	3
3	1583611	Capscrew .....	2
4	1670292	Shaft .....	1
5	1564747	Bushing .....	6
6	2099393	Lever (Lift) .....	1
7	2099394	Lever (Tilt) .....	1
8	2099395	Lever (Auxiliary One) .....	1
9	4038182	Knob .....	3
10	1662420	Link .....	3
11	309109	Pin .....	6
12	1517361	Locking Ring Cotter Pin .....	6
13	1586627	Capscrew .....	3
14	1346752	Washer .....	3
15	2063991	Isolator .....	3
16	4629069	Hyd Control Valve (Manual) (H2.0-3.0FT) (☞Figure 15-13).....	1
16	4629073	Hyd Control Valve (Manual) (H3.5FT) (☞Figure 15-13).....	1

## HAND LEVERS (FIGURE 15-11) FOUR FUNCTION — WITH DETENTED LEVERS

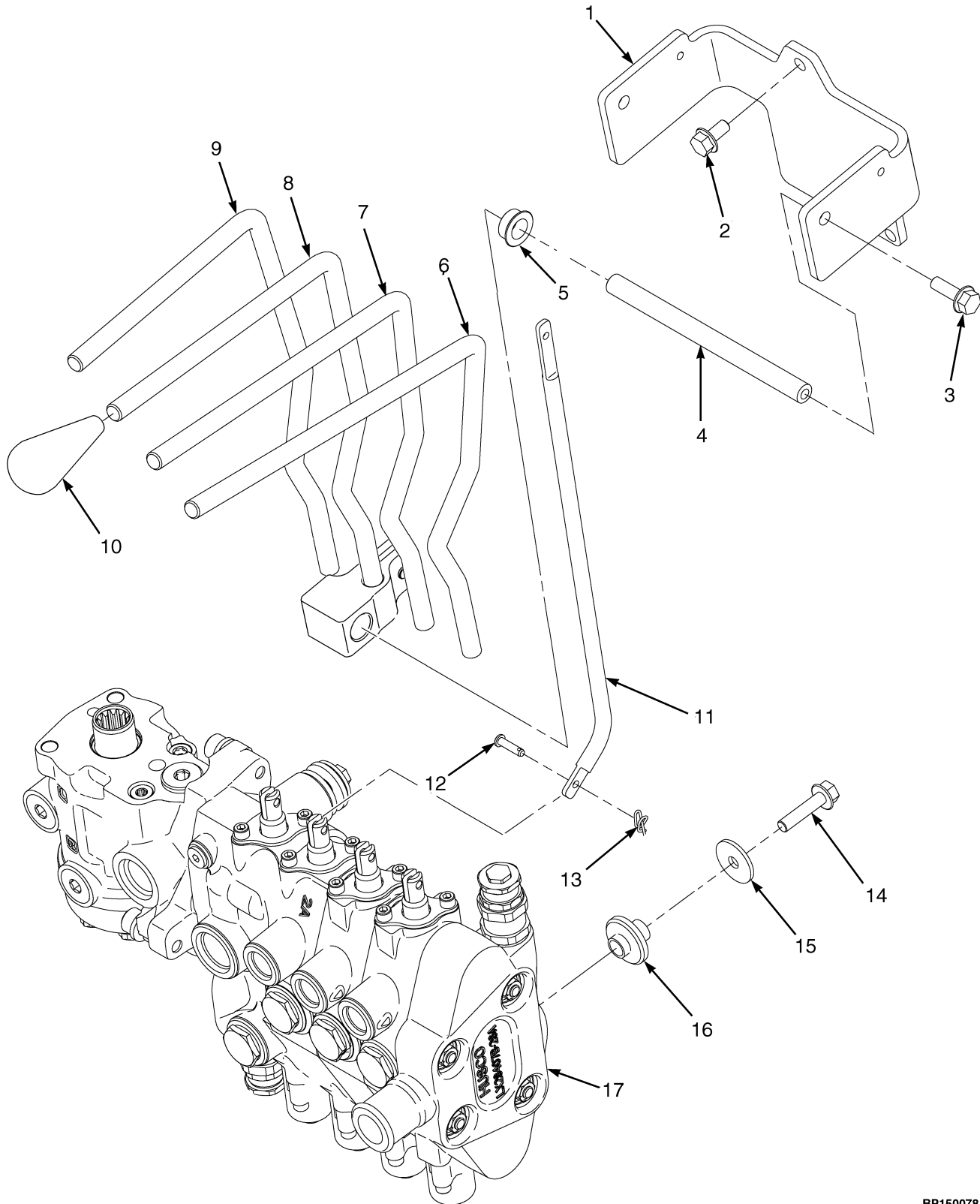


BP150483

**HAND LEVERS**  
**FOUR FUNCTION – WITH DETENTED LEVERS**

ITEM	PART NO.	DESCRIPTION	QTY
1	1665748	Bracket .....	1
2	<del>4109993</del> 1527879	Capscrew .....	4
3	316834	Nut .....	1
4	<del>4093489</del> 320156	Washer .....	1
5	1670677	Plate .....	1
6	1527878	Capscrew .....	1
7	1583611	Capscrew .....	2
8	175861	Spring .....	1
9	302428	Roll Pin .....	1
10	1542546	Lever .....	2
11	1564747	Bushing .....	12
12	306113	Pin (Selector) .....	1
13	1670196	Shaft .....	1
14	320161	Washer .....	3
15	1662420	Link .....	4
16	1517361	Locking Ring Cotter Pin .....	8
17	309109	Pin .....	8
18	2099397	Lever (Auxiliary Two and Three) .....	1
19	2099395	Lever (Auxiliary One) .....	1
20	2099394	Lever (Tilt) .....	1
21	2099393	Lever (Lift) .....	1
22	4038182	Knob .....	4
22	2070655	Lens (Blank) .....	1
23	1586627	Capscrew .....	3
24	1346752	Washer .....	3
25	2063991	Isolator .....	3
26	4629071	Hyd Control Valve (Manual) (H2.0-3.0FT) (☞Figure 15-13).....	1
26	4629075	Hyd Control Valve (Manual) (H3.5FT) (☞Figure 15-13).....	1

## HAND LEVERS (FIGURE 15-12) FOUR FUNCTION — WITHOUT DETENTED LEVERS

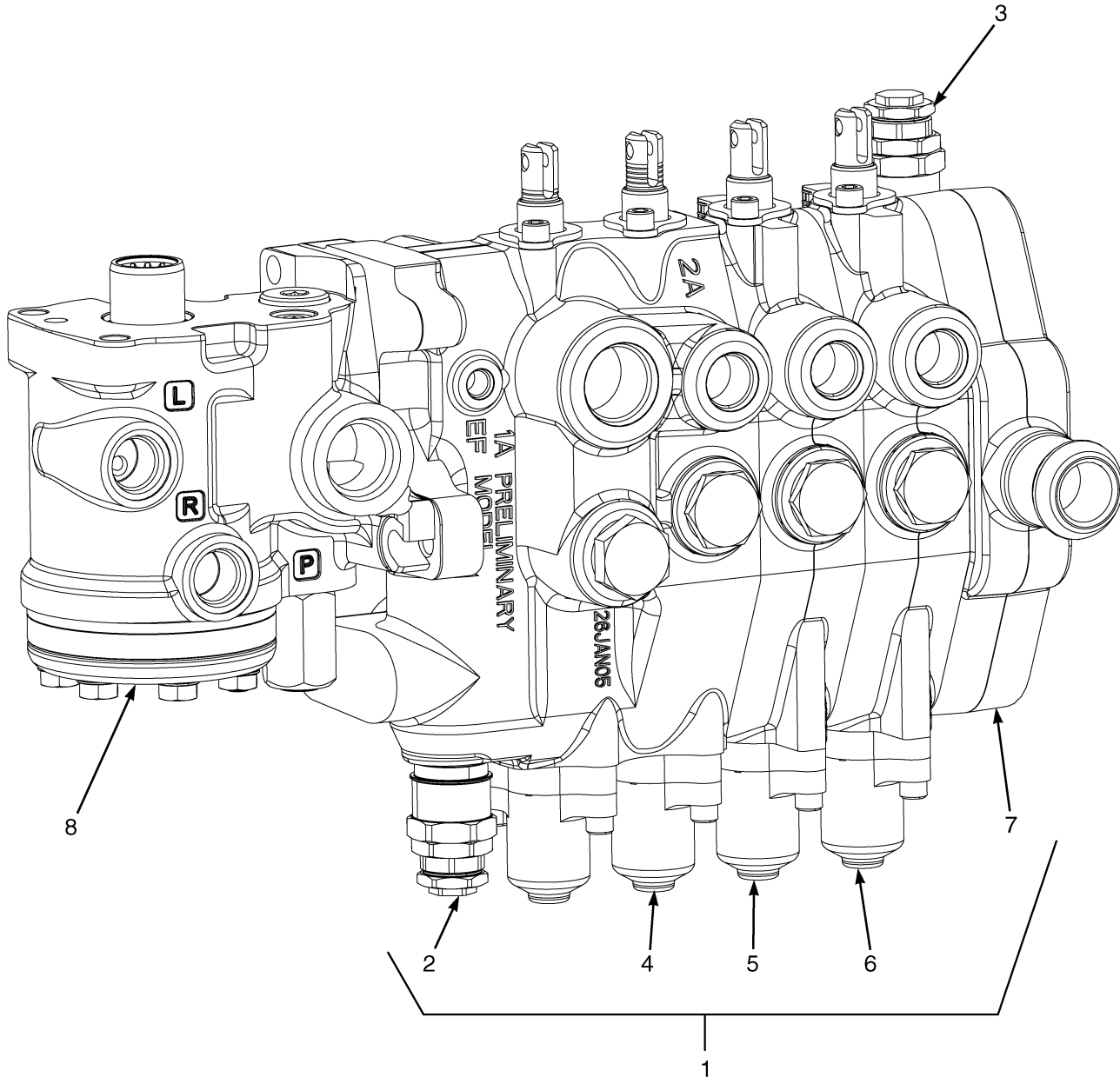


BP150078

**HAND LEVERS**  
**FOUR FUNCTION – WITHOUT DETENTED LEVERS**

ITEM	PART NO.	DESCRIPTION	QTY
1	1665747	Bracket .....	1
2	4109993		
	1527879	Capscrew .....	3
3	1583611	Capscrew .....	2
4	1670293	Shaft .....	1
5	1564747	Bushing .....	8
6	2099396	Lever (Auxiliary Two) .....	1
7	2099395	Lever (Auxiliary One) .....	1
8	2099394	Lever (Tilt) .....	1
9	2099393	Lever (Lift) .....	1
10	4038182	Knob .....	4
10	2070655	Lens (Blank) .....	1
11	1662420	Link .....	4
12	309109	Pin .....	8
13	1517361	Locking Ring Cotter Pin .....	8
14	1586627	Capscrew .....	3
15	1346752	Washer .....	3
16	2063991	Isolator .....	3
17	4629071	Hyd Control Valve (Manual) (H2.0-3.0T) (☞Figure 15-13).....	1
17	4629075	Hyd Control Valve (Manual) (H3.5FT) (☞Figure 15-13).....	1

## CONTROL VALVE ASSEMBLY (FIGURE 15-13) MANUAL CONTROL — THREE AND FOUR FUNCTION

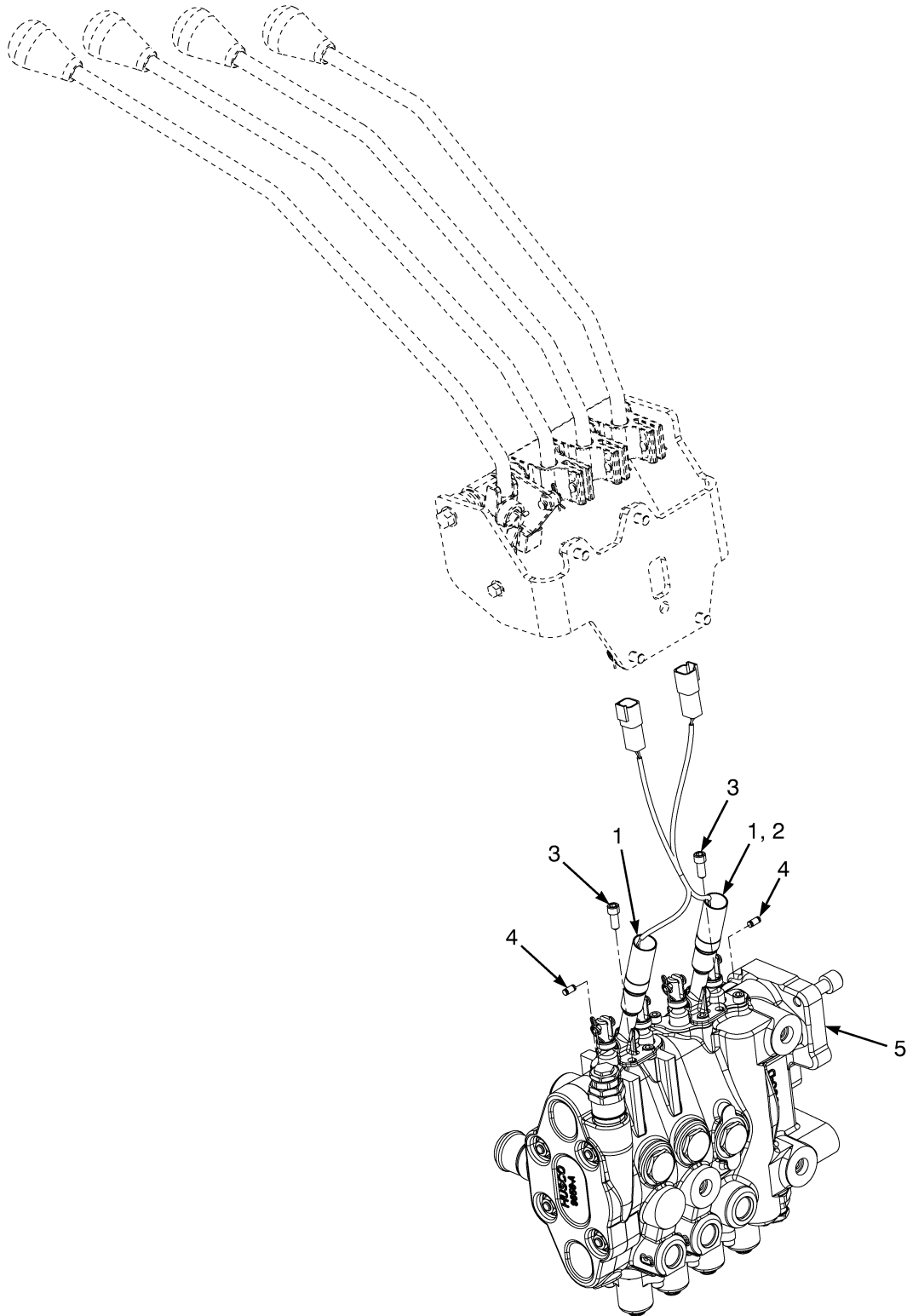


BP140045

**CONTROL VALVE ASSEMBLY  
MANUAL CONTROL – THREE AND FOUR FUNCTION****KEY:****A: H2.0-3.0FT****B: H3.5FT**

ITEM	PART NO.	DESCRIPTION	QTY	
			A	B
	4629069	Hyd Control Valve (Manual) (3 Function) .....	1	..
	4629071	Hyd Control Valve (Manual) (4 Function) .....	1	..
	4629073	Hyd Control Valve (Manual) (3 Function) .....	..	1
	4629075	Hyd Control Valve (Manual) (4 Function) .....	..	1
1	1580146	Kit-Seal (Three Function) .....	1	..
1	4629077	Hyd Control Valve (3 Function) .....	1	..
1	1670434	Kit-Seal (Three Function) .....	1	..
1	1580148	Kit-Seal (Four Function) .....	1	..
1	4626786	Hyd Control Valve (4 Function) .....	1	..
1	1670054	Kit-Seal (Four Function) .....	1	..
1	1580146	Kit-Seal (Three Function) .....	..	1
1	4629078	Hyd Control Valve (3 Function) .....	..	1
1	1670434	Kit-Seal (Three Function) .....	..	1
1	1580148	Kit-Seal (Four Function) .....	..	1
1	4629079	Hyd Control Valve (4 Function) .....	..	1
1	1670054	Kit-Seal (Four Function) .....	..	1
2	4098672			
	1578747	Relief Valve (3100 PSI) (Main Relief) .....	1	..
2	1578748	Relief Valve (3400 PSI) (Main) .....	..	1
2	1580097	Kit-Seal and Spring .....	1	1
3	1578707	Relief Valve (Secondary) (15.5 MPa) .....	1	1
3	1580131	Kit-Seal and Spring .....	1	1
4	4088047	Valve Section (Lift And Tilt) (☞Figure 15-16).....	1	1
5	4087334	Valve Section (3 Function) (☞Figure 15-17).....	1	1
6	4087335	Valve Section (4 Function) (☞Figure 15-17).....	1	1
7	1578746	Valve Section (Outlet Section) (☞Figure 15-18).....	1	1
8	2063117	Steering Control Unit .....	1	..
8	2063118	Steering Control Unit .....	..	1

## CONTROL VALVE LOCKOUT GROUP (FIGURE 15-14) MANUAL CONTROL VALVE



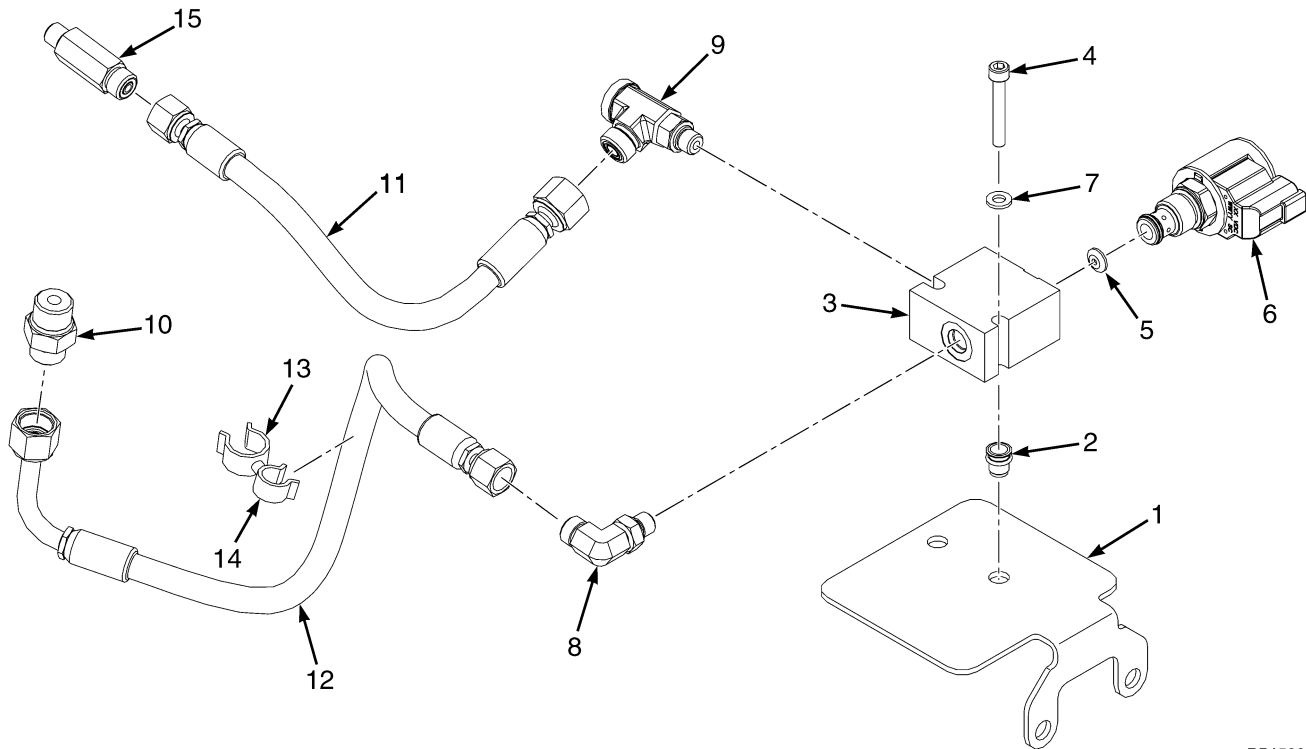
BP140133



**CONTROL VALVE LOCKOUT GROUP  
MANUAL CONTROL VALVE****KEY:****A: 3 Function****B: 4 Function**

ITEM	PART NO.	DESCRIPTION	QTY	
			A	B
1	1683529	Solenoid Assembly (Double Function) .....	1	2
2	1683621	Solenoid Assembly (Single Function) .....	1	..
3	18748	Capscrew .....	4	4
4	1670413	Needle Roller .....	3	4
5	.....	Manual Control Valve .....	1	1

## MANUAL VALVE ANTI STALL GROUP (FIGURE 15-15) SINGLE SPEED TRANSMISSION

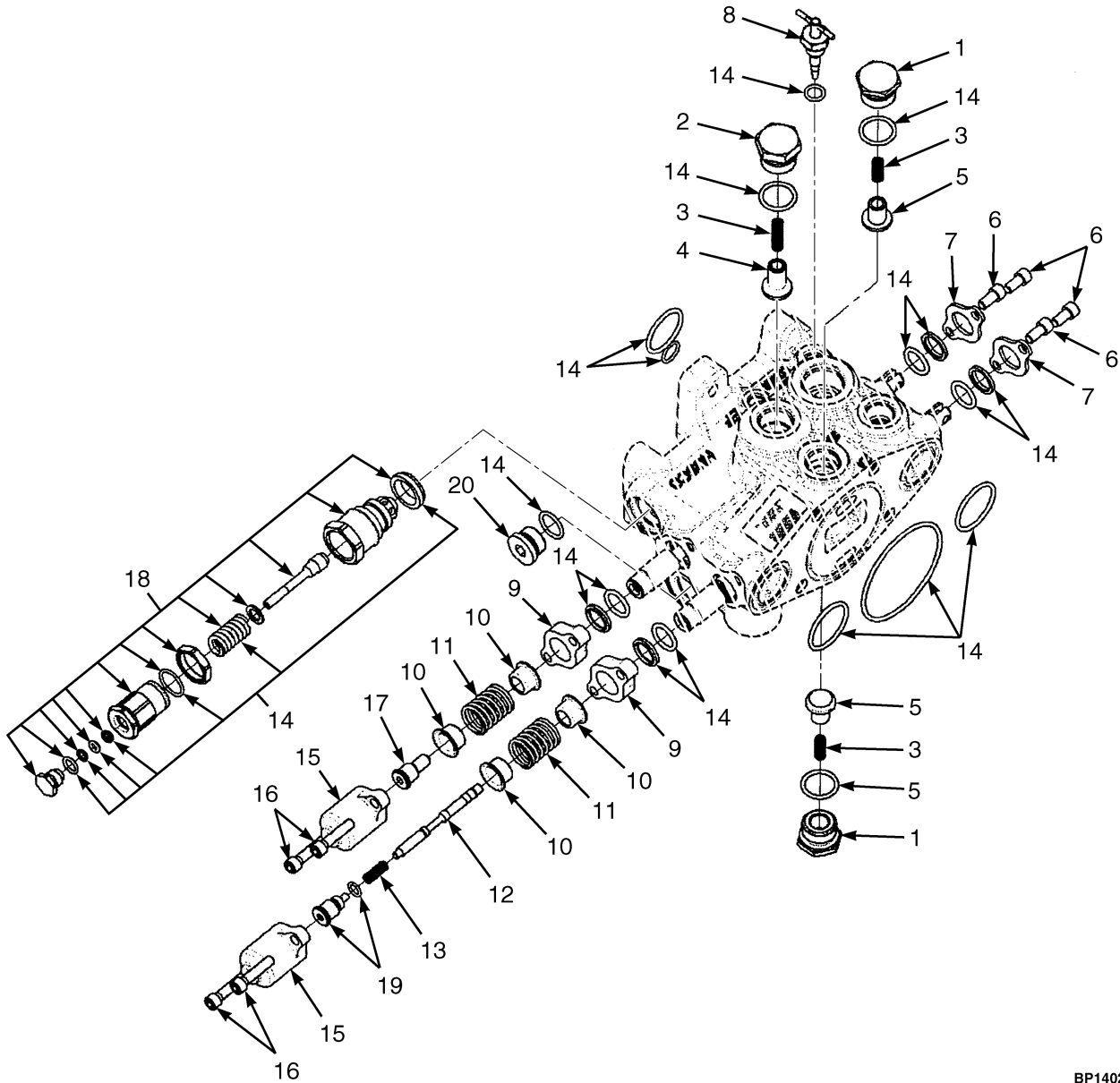


BP150696

ITEM	PART NO.	DESCRIPTION	QTY
1	4079563	Bracket .....	1
2	1531558	Insert .....	2
3	4630267	Valve Block .....	1
4	293799	Capscrew .....	2
5	4085979	Disk .....	1
6	1678165	Solenoid Valve .....	1
7	1673754	Washer .....	2
8	1487058	Fitting .....	1
9	4078018	T-Fitting .....	1
10	1486742	Fitting .....	1
11	4634455	Hose Assy .....	1
12	4630350	Hose Assy .....	1
13	1573549	Clamp .....	1
14	1542439	Clamp (Swivel) .....	1
15	4100401	Fitting .....	1



## VALVE ASSEMBLY, LIFT AND TILT (FIGURE 15-16) MANUAL CONTROL VALVE — THREE AND FOUR FUNCTION

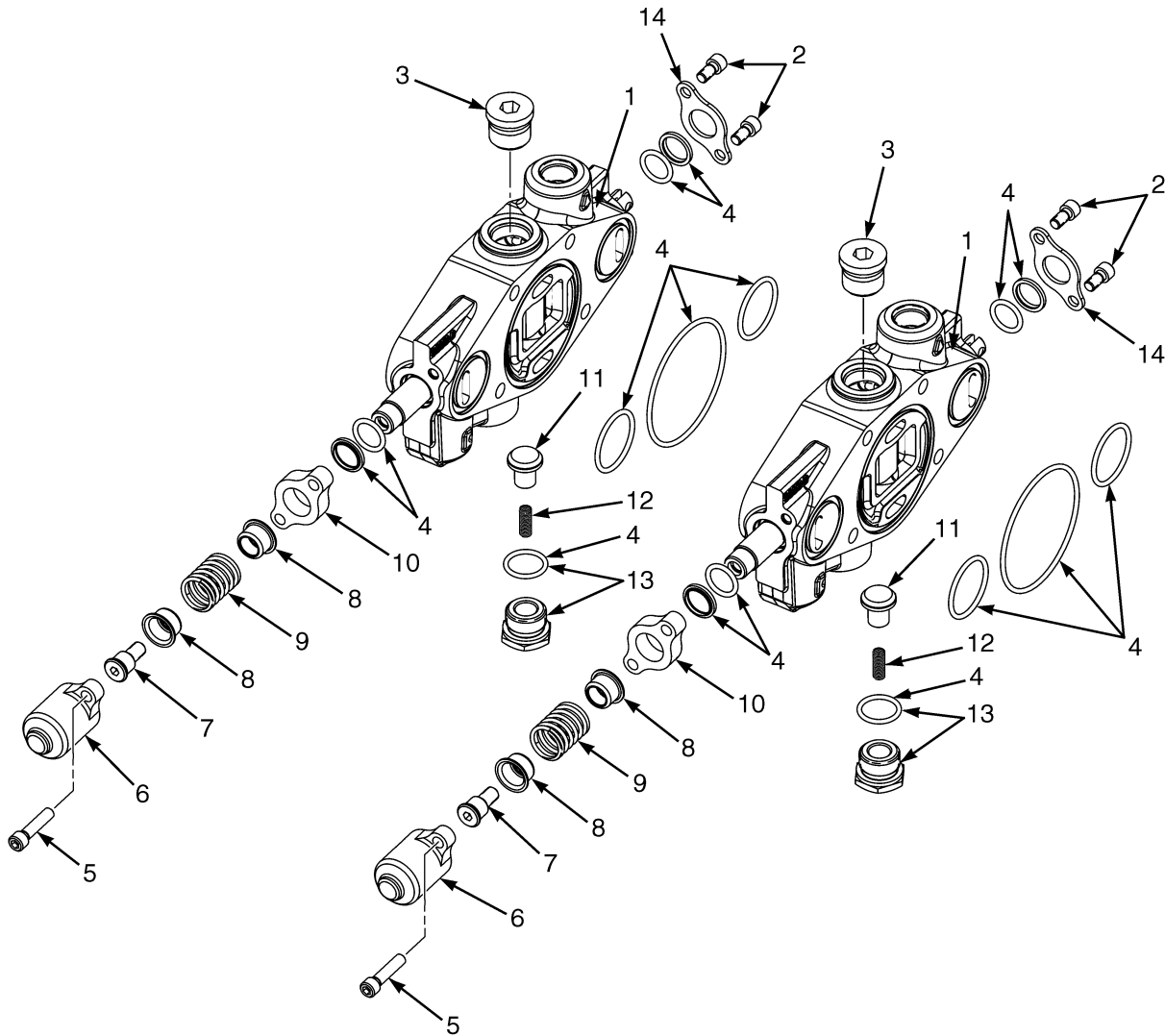


BP140244

**VALVE ASSEMBLY, LIFT AND TILT  
MANUAL CONTROL VALVE – THREE AND FOUR FUNCTION**

ITEM	PART NO.	DESCRIPTION	QTY
	4088047	Valve Section (Lift And Tilt) .....	1
1	1578713	Plug Assembly .....	2
2	1578940	Plug .....	1
3	77442	Spring .....	3
4	1578943	Poppet .....	1
5	77443	Poppet .....	2
6	16706	Screw .....	4
7	188515	Plate .....	2
8	1670522	Kit-Valve (Manual Lower Assembly) .....	1
9	1560682	Plate .....	2
10	320289	Spring Seat .....	4
11	1581860	Spring .....	2
12	1581861	Piston .....	1
13	341462	Spring .....	1
14	1670434	Kit-Seal (Three Function) .....	1
14	1670054	Kit-Seal (Four Function) .....	1
14	1670445	Kit-Seal (Lift and Tilt) .....	1
15	1560681	Cap .....	2
16	1578705	Capscrew .....	4
17	4088044	Spool End .....	1
18	<del>4098672</del>		
	1578747	Relief Valve (3100 PSI) (Main Relief) (Low Relief) .....	1
18	1578748	Relief Valve (3400 PSI) (Main) (High Relief) .....	1
19	4088045	Spool End .....	1
20	1569602	Plug Assembly .....	2
	1580097	Kit-Seal and Spring .....	1

## AUXILIARY ONE AND TWO (FIGURE 15-17) MANUAL CONTROL VALVE — THREE AND FOUR FUNCTION



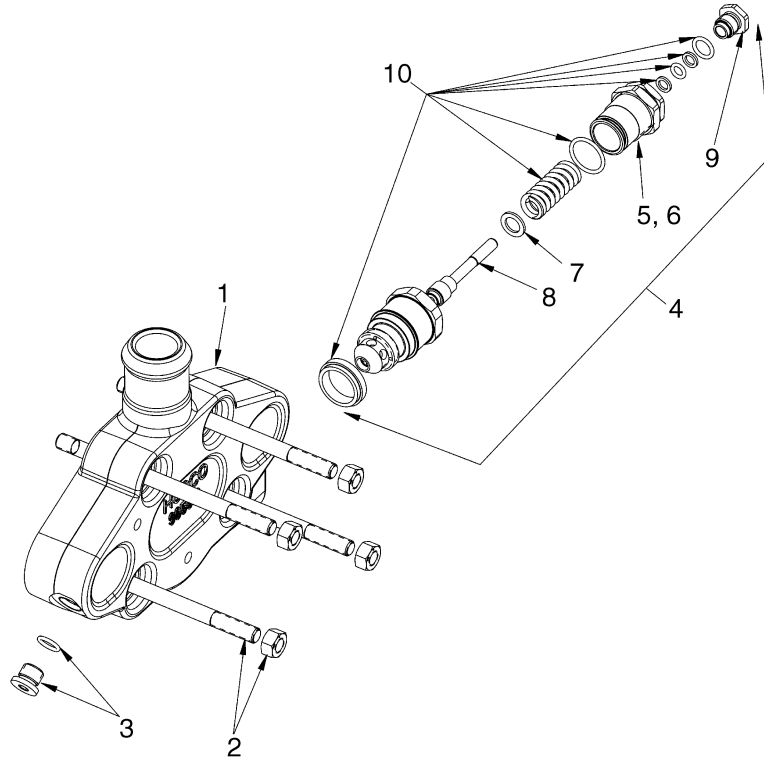
BP140119

**AUXILIARY ONE AND TWO  
MANUAL CONTROL VALVE – THREE AND FOUR FUNCTION**

**KEY:****A: Three Function****B: Four Function**

ITEM	PART NO.	DESCRIPTION	QTY	
			A	B
1	4087334	Valve Section .....	1	1
1	4087335	Valve Section .....	..	1
2	16706	Screw .....	2	4
3	4031469	Plug Assembly .....	1	1
4	1580147	Kit-Seal (Auxiliary Functions) .....	1	1
5	1578705	Capscrew .....	2	4
6	1560681	Cap .....	1	2
7	4088045	Spool End .....	1	2
8	320289	Spring Seat .....	2	4
9	1581860	Spring .....	1	2
10	1560682	Plate .....	1	2
11	77443	Poppet .....	1	2
12	77442	Spring .....	1	2
13	1578713	Plug Assembly .....	1	2
14	188515	Plate .....	1	2
	1670434	Kit-Seal (Three Function) .....	1	..
	1670054	Kit-Seal (Four Function) .....	..	1

## OUTLET SECTION (FIGURE 15-18) MANUAL CONTROL VALVE — THREE AND FOUR FUNCTION



BP140048

ITEM	PART NO.	DESCRIPTION	QTY
1	1578746	Valve Section (Outlet Section) .....	1
2	1580155	Kit-Tie Rod (Three Function) .....	1
2	1580156	Kit-Tie Rod (Four Function) .....	1
2	15055	Nut .....	4
3	1578712	Plug Assembly .....	1
3	204128	Plug .....	1
4	1578707	Relief Valve (Secondary) (15.5 MPa) .....	1
5	.....	Nut .....	1
6	.....	Screw .....	1
7	.....	Washer .....	1
8	.....	Poppet .....	1
9	.....	Plug .....	1
10	1580131	Kit-Seal and Spring .....	1







**HYDRAULIC CONTROL VALVE  
ELECTRONIC VALVE ASSEMBLY – THREE AND FOUR FUNCTION-WITH VDP**

**KEY:**

**A: 3 Function**

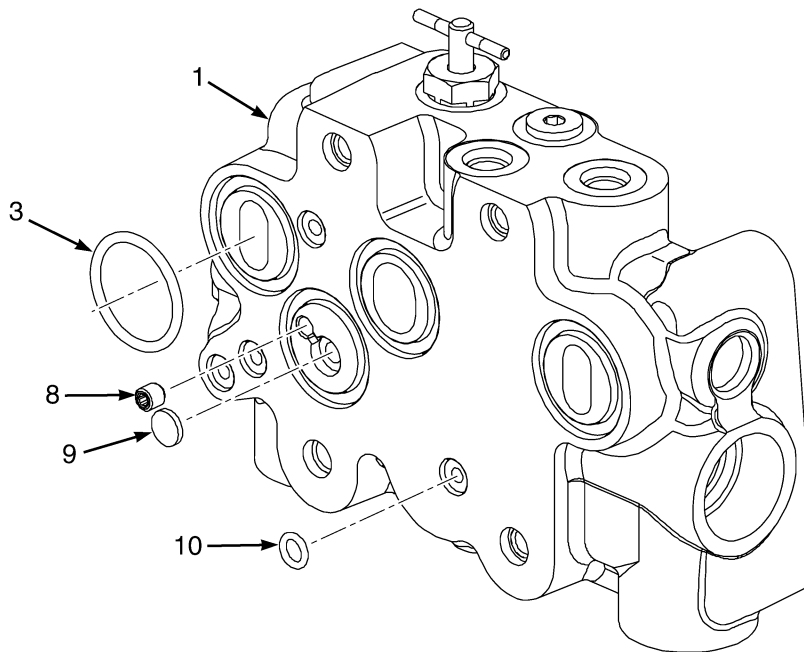
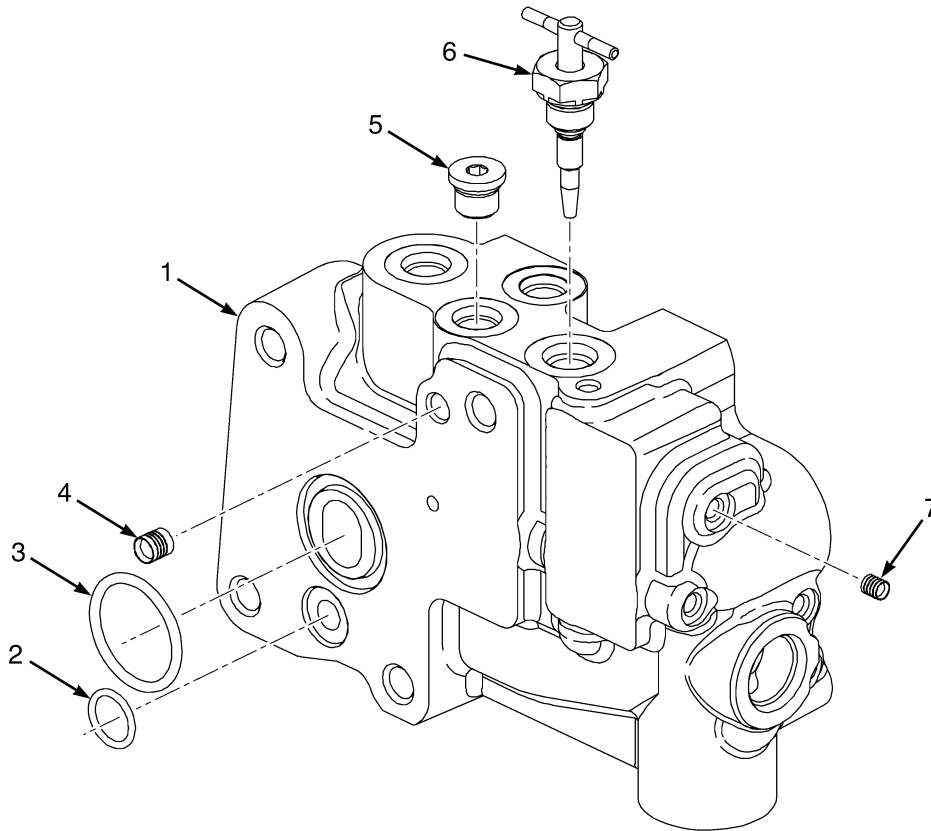
**B: 4 Function**

ITEM	PART NO.	DESCRIPTION	QTY	
			A	B
	4604778	Hydraulic Control Valve (Assembly, H2.5-3.0) .....	1	..
	4604779	Hydraulic Control Valve (Assembly, H2.5-3.0) .....	..	1
	4613673	Hydraulic Control Valve (Assembly, H2.0) .....	1	..
	4613674	Hydraulic Control Valve (Assembly, H2.0) .....	..	1
	4605234	Hydraulic Control Valve (H2.5-3.0) .....	1	..
	4605235	Hydraulic Control Valve (H2.5-3.0) .....	..	1
	4613675	Hydraulic Control Valve (H2.0) .....	1	..
	4613676	Hydraulic Control Valve (H2.0) .....	..	1
1	4031384	Valve Section (Transition) (☞Figure 15-20).....	1	1
2	4031379	Relief Valve .....	1	1
3	4031383	Valve Section (Lift) (☞Figure 15-21).....	1	1
4	4031382	Valve Section (Tilt) (☞Figure 15-22).....	1	1
5	4031381	Valve Section (Aux. 1) (☞Figure 15-23).....	1	1
6	4031526	Valve Section (Aux. 2) (☞Figure 15-24).....	..	1
7	1578707	Relief Valve (Secondary) (15.5 MPa) .....	1	1
8	4031380	Valve Section (Outlet) (☞Figure 15-25).....	1	1
9	4031370	Kit-Tie Rod (☞Figure 15-25).....	1	..
9	4031371	Kit-Tie Rod (☞Figure 15-25).....	..	1
10	1581858	Kit-Capscrew .....	1	1
10	1629155	Washer .....	2	2
10	.....	Capscrew .....	2	2
11	1569602	Plug .....	1	1
12	4608005	Steering Control Unit (☞Figure 13-6).....	1	1
	<b>a</b> 4031374	Kit-Seal (Transition Section) .....	1	1
	<b>a</b> 4031377	Kit-Seal (Valve Master Seal Kit) .....	1	..
	<b>a</b> 4031378	Kit-Seal (Valve Master Seal Kit) .....	..	1

**FOOTNOTES:**

**a** Not Illustrated

## ELECTRONIC VALVE TRANSITION SECTION (FIGURE 15-20) WITH VARIABLE DISPLACEMENT PUMP



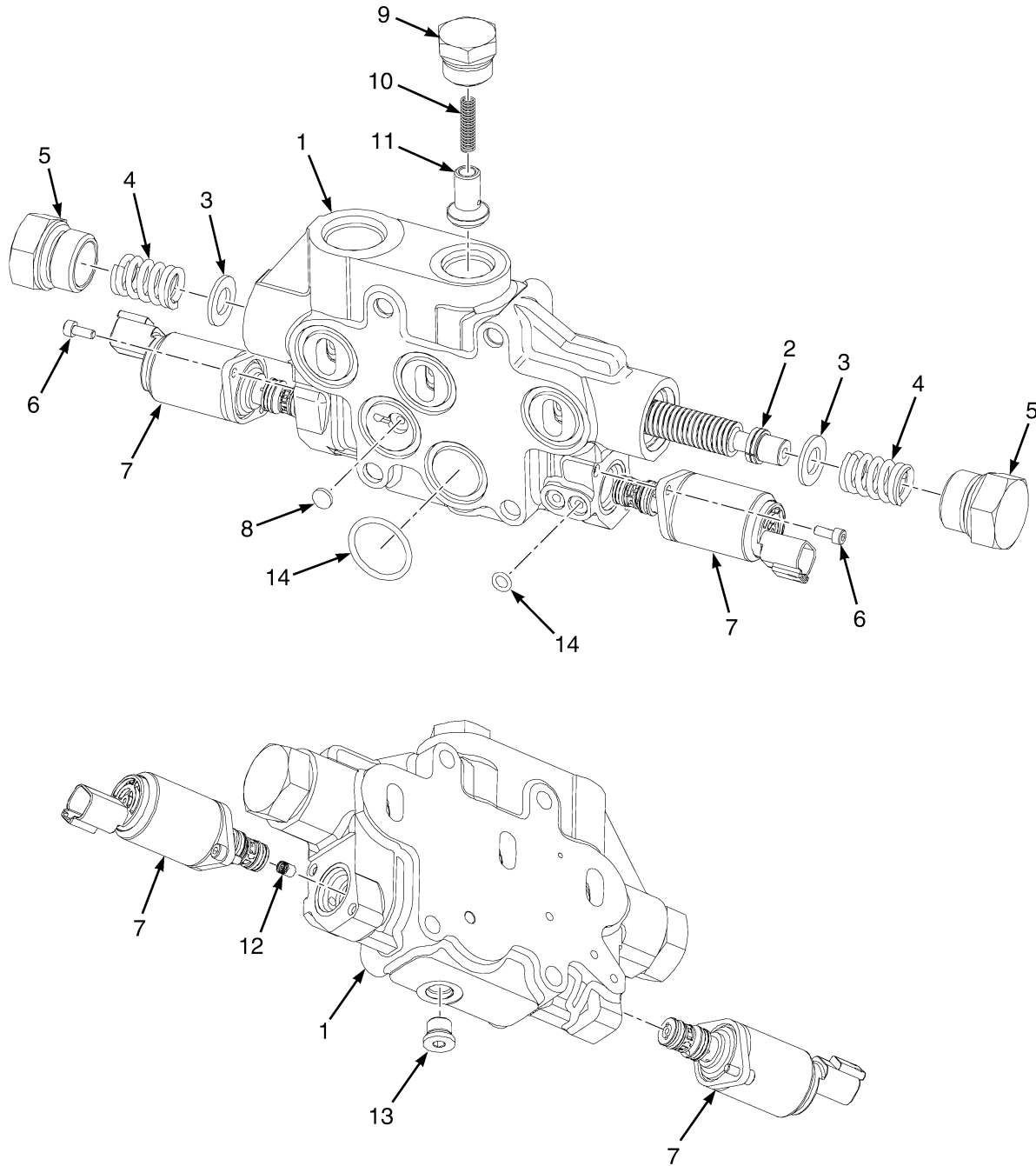
BP140207

**ELECTRONIC VALVE TRANSITION SECTION  
WITH VARIABLE DISPLACEMENT PUMP**

ITEM	PART NO.	DESCRIPTION	QTY
1	4031384	Valve Section .....	1
2	.....	O-Ring .....	1
3	.....	O-Ring .....	5
4	1371250	Plug .....	1
5	1578712	Plug Assembly .....	2
6	1581862	Kit-Valve (Manual Lowering) .....	1
6	1658142	Valve .....	1
7	.....	Plug .....	1
8	1578888	Setscrew .....	1
9	1578875	Shuttle Valve .....	1
10	.....	O-Ring .....	4
	<b>a</b> 4031373	Kit-Seal (Valve to Steering Control Unit) .....	1

**FOOTNOTES:****a** Not Illustrated

## ELECTRONIC VALVE LIFT SECTION (FIGURE 15-21) WITH VARIABLE DISPLACEMENT PUMP

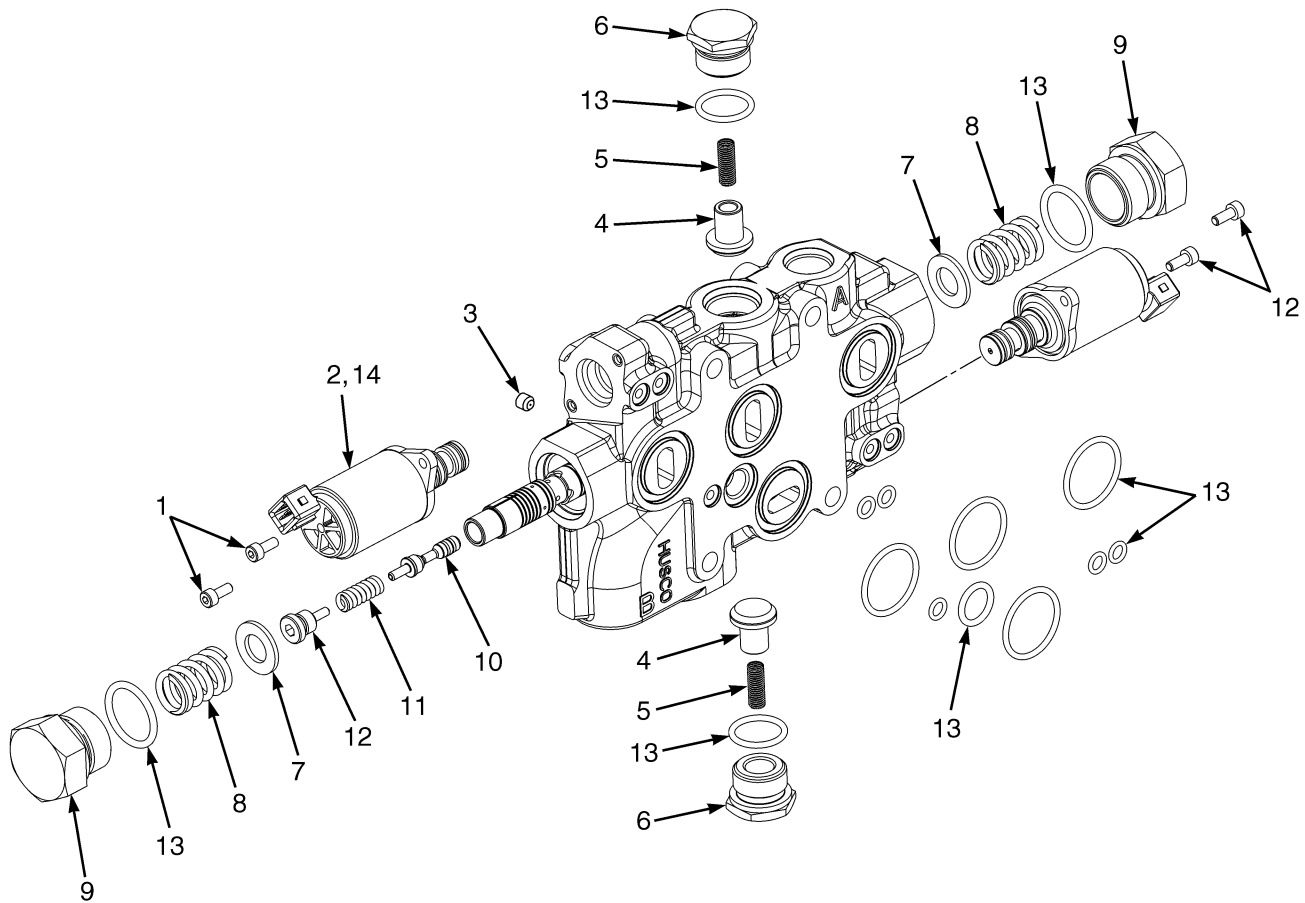


BP140208

**ELECTRONIC VALVE LIFT SECTION  
WITH VARIABLE DISPLACEMENT PUMP**

ITEM	PART NO.	DESCRIPTION	QTY
1	4031383	Valve Section .....	1
2	. . . . .	Spool .....	1
3	1578883	Washer .....	2
4	4031471	Spring .....	2
5	1578889	Plug .....	2
6	1664395	Capscrew .....	4
7	4031472	Solenoid Valve .....	2
8	1578875	Shuttle Valve .....	1
9	1578940	Plug .....	1
10	77442	Spring .....	1
11	4036094	Poppet .....	1
12	4031473	Check Valve .....	1
13	1578712	Plug Assembly .....	1
14	4031375	Kit-Seal (Lift Section) .....	1

## ELECTRONIC VALVE TILT SECTION (FIGURE 15-22) THREE AND FOUR FUNCTION



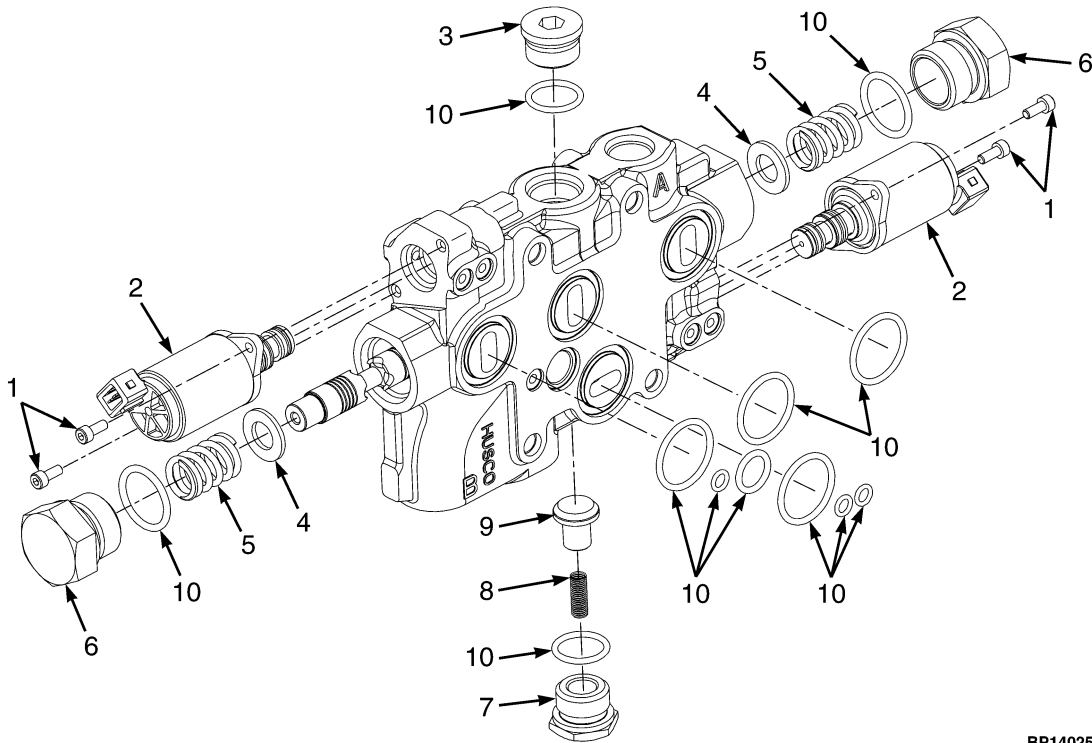
BP140114



**ELECTRONIC VALVE TILT SECTION  
THREE AND FOUR FUNCTION**

ITEM	PART NO.	DESCRIPTION	QTY
	4031382	Valve Section (Tilt) .....	1
1	1664395	Capscrew .....	4
2	1578711	Valve (Pressure Reducing) .....	2
3	1578887	Setscrew .....	1
4	77443	Poppet .....	2
5	77442	Spring .....	2
6	1578713	Plug Assembly .....	2
7	1578883	Washer .....	2
8	1578882	Spring .....	2
9	1578889	Plug .....	2
10	.....	Piston and Rod .....	1
11	.....	Spring .....	1
12	.....	Spool End .....	1
13	1578905	Kit-Seal (Tilt) .....	1
14	1687534	Kit-Seal (Solenoid Pressure Reducing) .....	1

## ELECTRONIC VALVE AUXILIARY ONE SECTION (FIGURE 15-23) THREE AND FOUR FUNCTION

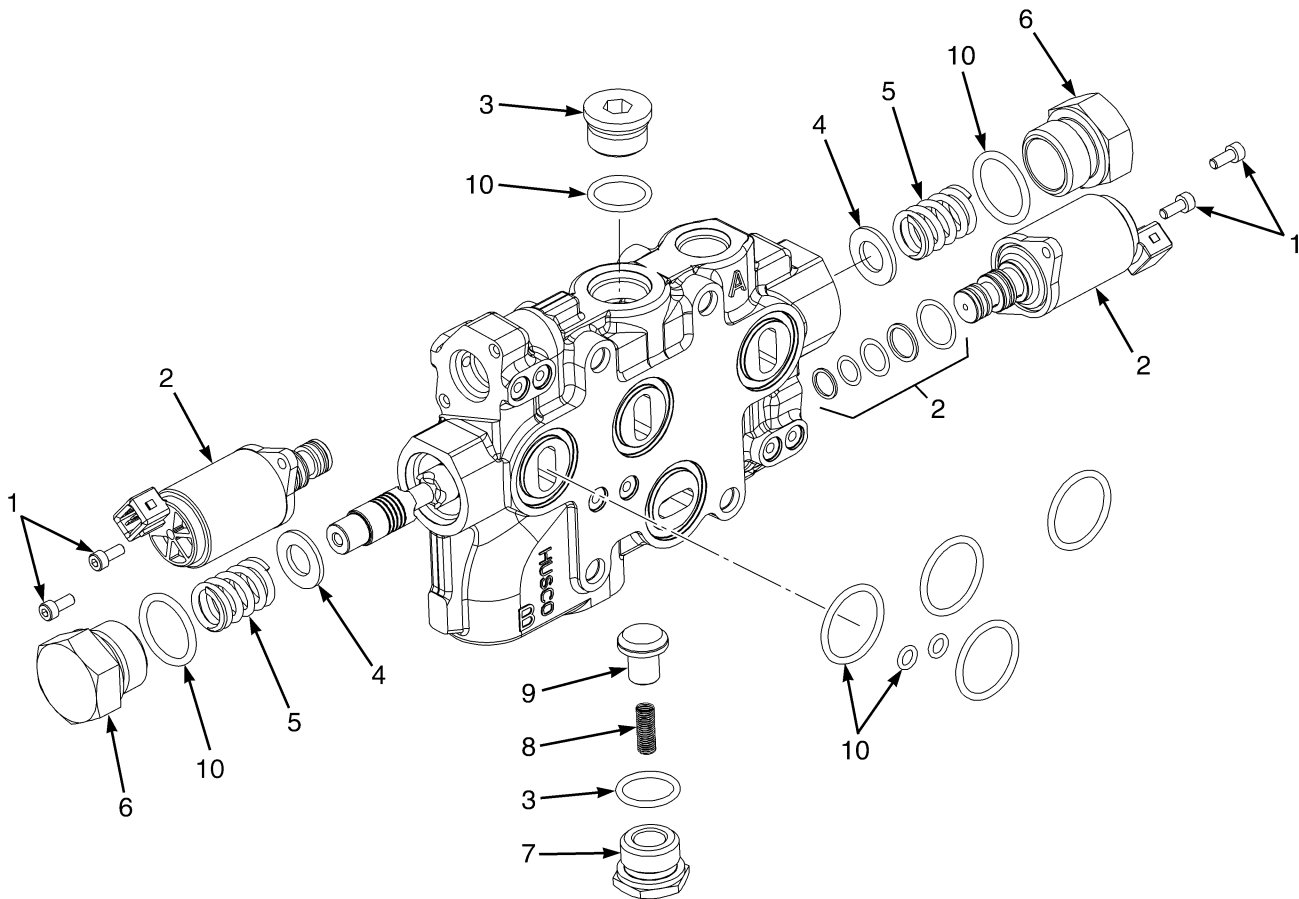


BP140251

ITEM	PART NO.	DESCRIPTION	QTY
	4031381	Valve Section (Aux. 1) .....	1
1	1664395	Capscrew .....	4
2	1578711	Valve (Pressure Reducing) .....	2
2	1687534	Kit-Seal (Solenoid Pressure Reducing) .....	1
3	4031469	Plug Assembly .....	1
4	1578883	Washer .....	2
5	1578882	Spring .....	2
6	1578889	Plug .....	2
7	1578713	Plug Assembly .....	1
8	77442	Spring .....	1
9	77443	Poppet .....	1
10	1578906	Kit-Seal (Auxiliary Section) .....	1



## ELECTRONIC VALVE AUXILIARY TWO SECTION (FIGURE 15-24) FOUR FUNCTION

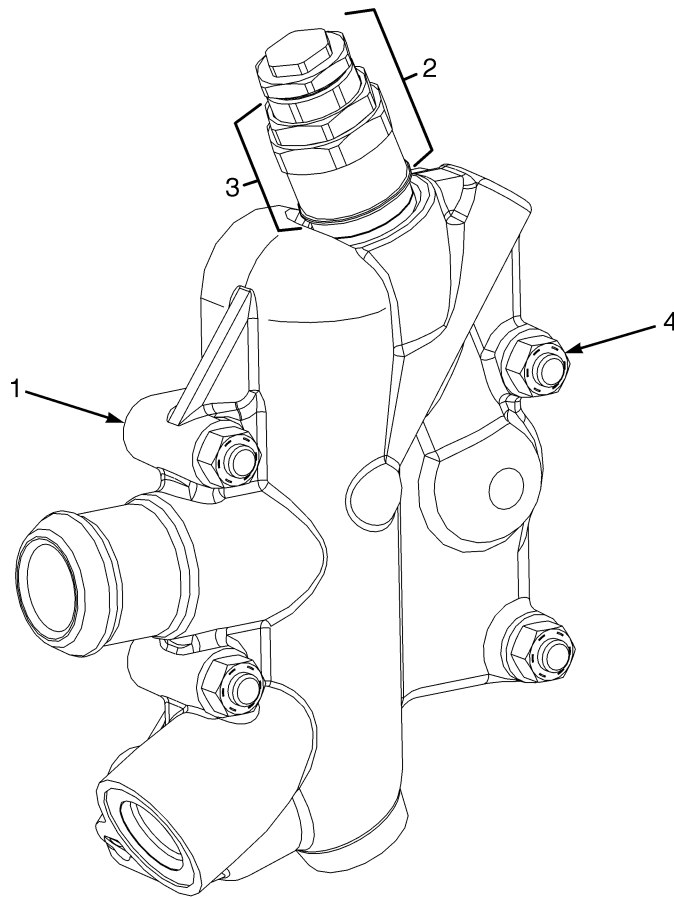


BP140116

**ELECTRONIC VALVE AUXILIARY TWO SECTION  
FOUR FUNCTION**

<b>ITEM</b>	<b>PART NO.</b>	<b>DESCRIPTION</b>	<b>QTY</b>
	4031526	Valve Section (Aux. 2) .....	1
1	1664395	Capscrew .....	4
2	1578711	Valve (Pressure Reducing) .....	2
3	1578714	Plug Assembly .....	1
4	1578883	Washer .....	2
5	1578882	Spring .....	2
6	1578889	Plug .....	2
7	1578713	Plug Assembly .....	1
8	77442	Spring .....	1
9	77443	Poppet .....	1
10	1578906	Kit-Seal (Auxiliary Section) .....	1

**ELECTRONIC VALVE OUTLET SECTION (FIGURE 15-25)  
THREE AND FOUR FUNCTION**



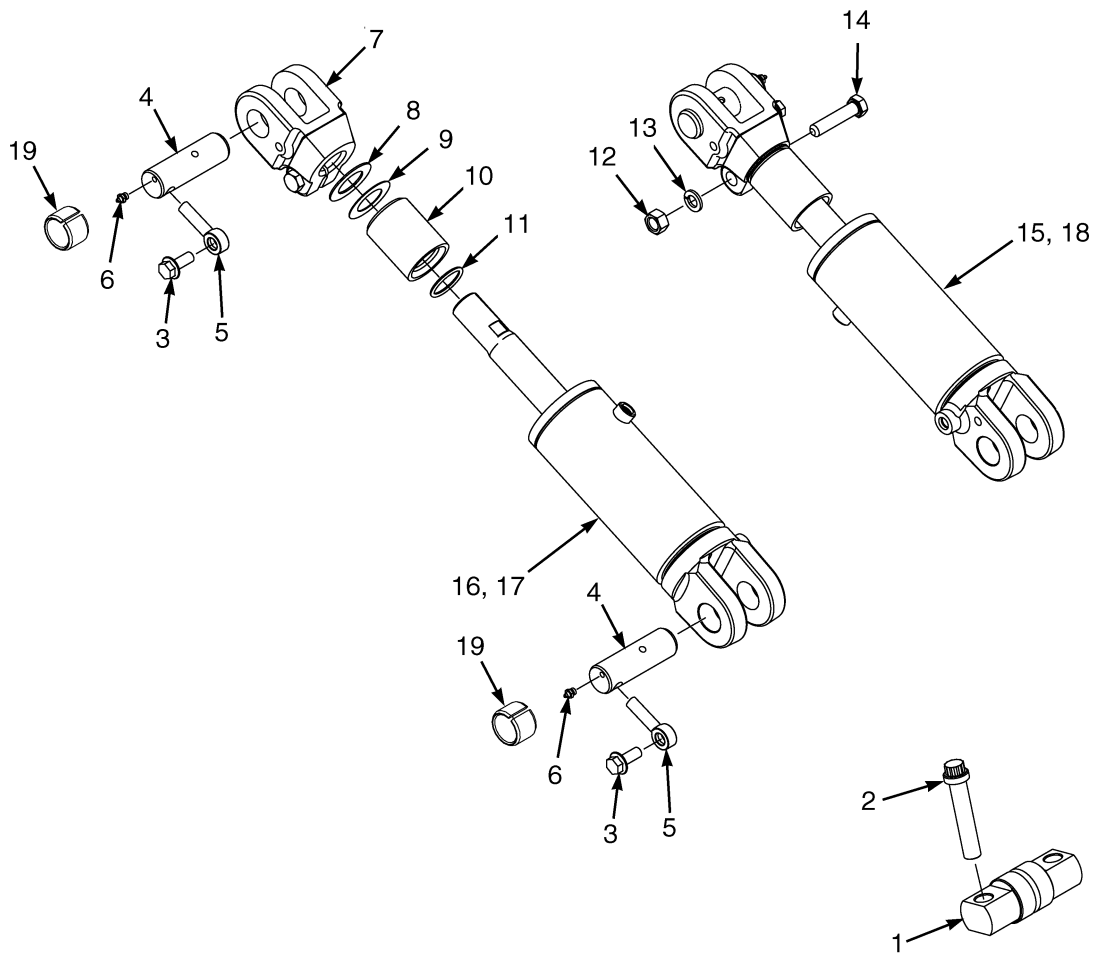
BP140169

**ELECTRONIC VALVE OUTLET SECTION  
THREE AND FOUR FUNCTION**

<b>ITEM</b>	<b>PART NO.</b>	<b>DESCRIPTION</b>	<b>QTY</b>
1	4031380	Valve Section (Outlet) .....	1
2	1708054	Relief Valve .....	1
3	1580131	Kit-Seal and Spring .....	1
4	4031370	Kit-Tie Rod (Three Function) .....	1
4	4031371	Kit-Tie Rod (Four Function) .....	1
4	15055	Nut .....	4
	<b>a</b> 1678166	Plug .....	1

**FOOTNOTES:****a** Not Illustrated

## TILT CYLINDER AND MAST INSTALLATION (FIGURE 15-26)



HP150985

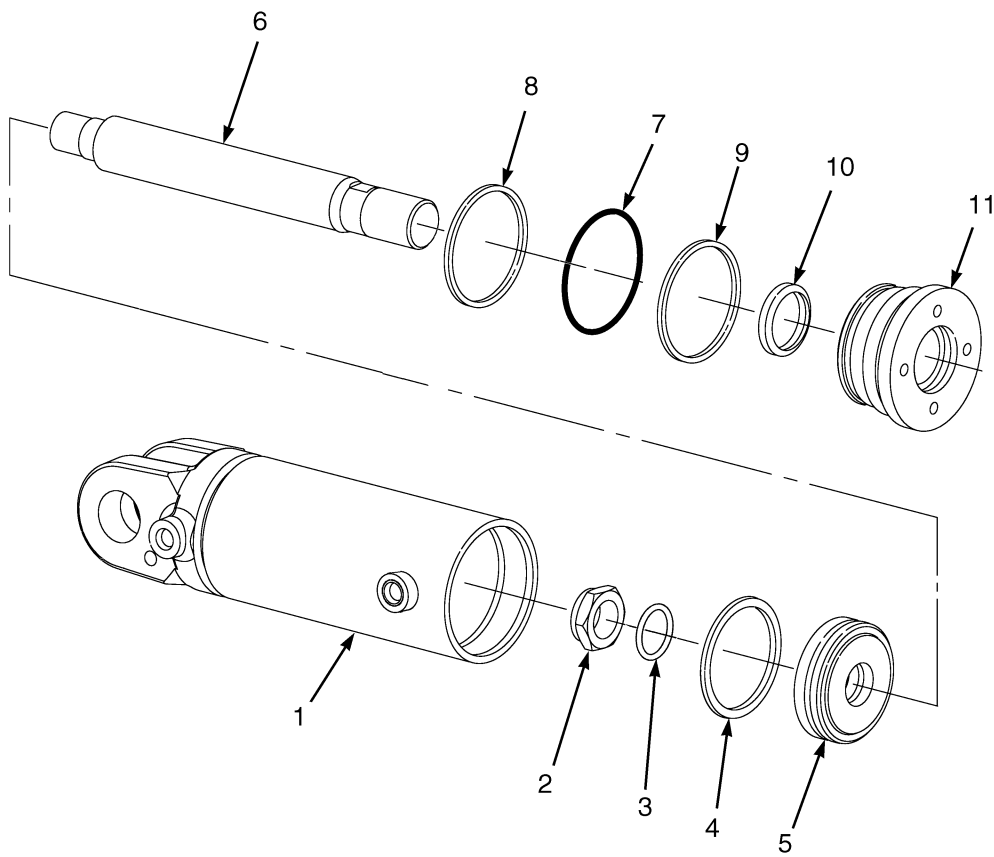


**TILT CYLINDER AND MAST INSTALLATION****KEY:****A: H2.0-2.5FT****B: H3.0-3.5FT**

ITEM	PART NO.	DESCRIPTION	QTY	
			A	B
1	1514269	Pin (Mast Mounting) .....	2	2
2	1520290	Capscrew .....	4	4
3	1586013	Capscrew .....	4	4
4	1533493	Pin .....	4	4
5	1533494	Pin Anchor .....	4	4
6	16040	Grease Fitting (Mast End) .....	2	2
6	16040	Grease Fitting (Truck End) .....	2	2
7	<b>bcd</b> 1544118	Rod End .....	2	..
7	<b>a</b> 1544120	Rod End .....	2	..
7	<b>bcd</b> 1544119	Rod End .....	..	2
7	<b>a</b> 1544121	Rod End .....	..	2
8	<b>cd</b> 134675	Shim .....	4	..
8	<b>cd</b> 142247	Shim .....	..	4
9	<b>cd</b> 1325119	Shim .....	4	..
9	<b>cd</b> 1325120	Shim .....	..	4
10	<b>d</b> 1544122	Spacer .....	2	..
10	<b>c</b> 192877	Spacer .....	2	..
10	<b>d</b> 1544123	Spacer .....	..	2
10	<b>c</b> 1544124	Spacer .....	..	2
11	<b>cd</b> 55434	O-Ring .....	4	..
11	<b>cd</b> 60563	O-Ring .....	..	4
12	1581848	Nut .....	2	2
13	1581852	Washer .....	2	2
14	1597381	Capscrew .....	2	2
15	2069187	Tilt Cylinder (RH) (☞Figure 15-27).....	1	..
16	2069188	Tilt Cylinder (LH) (☞Figure 15-27).....	1	..
17	2069186	Tilt Cylinder (LH) (☞Figure 15-28).....	..	1
18	2069189	Tilt Cylinder (RH) (☞Figure 15-28).....	..	1
19	300982	Bushing .....	4	4

**FOOTNOTES:****a** 10° Forward/6° Back**b** 6° Forward/10° Back**c** 6° Forward/5° Back**d** 6° Forward/6° Back

**TILT CYLINDERS (FIGURE 15-27)**  
**H2.0-2.5FT**

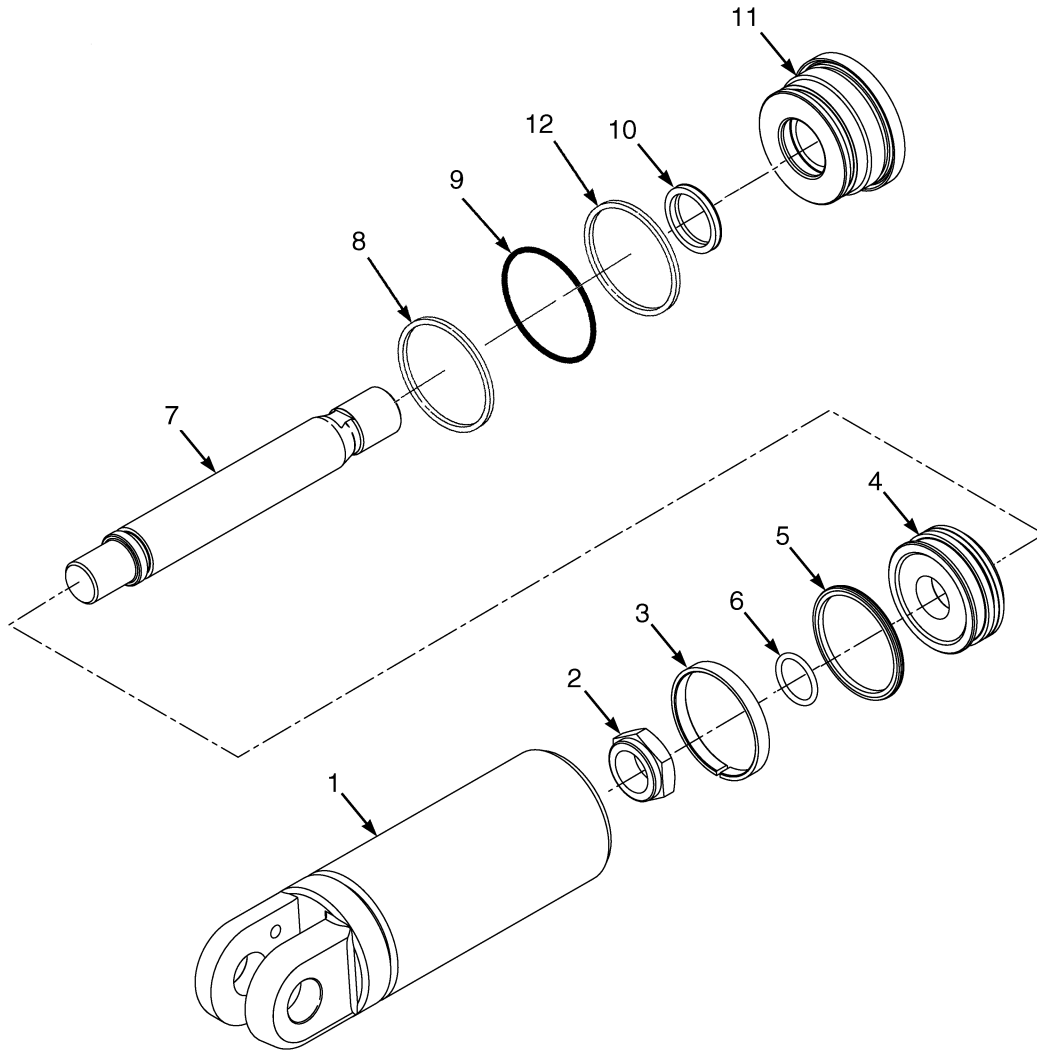


HP150974

**TILT CYLINDERS  
H2.0-2.5FT**

ITEM	PART NO.	DESCRIPTION	QTY
	2069187	Tilt Cylinder (RH) .....	1
	2069188	Tilt Cylinder (LH) .....	1
1	2076537	Tube Wldmt-Cylinder (RH) .....	1
1	2076541	Tube Wldmt-Cylinder (LH) .....	1
2	2302899	Locknut .....	1
3	39374	O-Ring .....	1
4	2044370	Piston Seal .....	1
5	1338741	Piston .....	1
6	2076539	Cylinder Rod .....	1
7	46388	O-Ring .....	1
8	154375	Back-Up Ring .....	1
9	1381082	Rod Seal .....	1
10	1383062	Rod Wiper .....	1
11	1338744	Gland .....	1
	1492644	Kit-Seal .....	1

## TILT CYLINDERS (FIGURE 15-28) H3.0-3.5FT



HP150975

**TILT CYLINDERS**  
**H3.0-3.5FT**

ITEM	PART NO.	DESCRIPTION	QTY
	2069186	Tilt Cylinder (LH) .....	1
	2069189	Tilt Cylinder (RH) .....	1
1	2076536	Tube Wldmt-Cylinder (RH) .....	1
1	2076540	Tube Wldmt-Cylinder (LH) .....	1
2	2070018	Locknut .....	1
3	199852	Wear Ring .....	1
4	1381078	Piston .....	1
5	2044371	Piston Seal .....	1
6	237812	O-Ring .....	1
7	2076538	Cylinder Rod .....	1
8	268619	O-Ring .....	1
9	147973	Back-Up Ring .....	1
10	1383063	Rod Wiper .....	1
11	1527520	Gland .....	1
12	1381083	Rod Seal .....	1
	1527719	Kit-Seal (Tilt Cylinder) .....	1







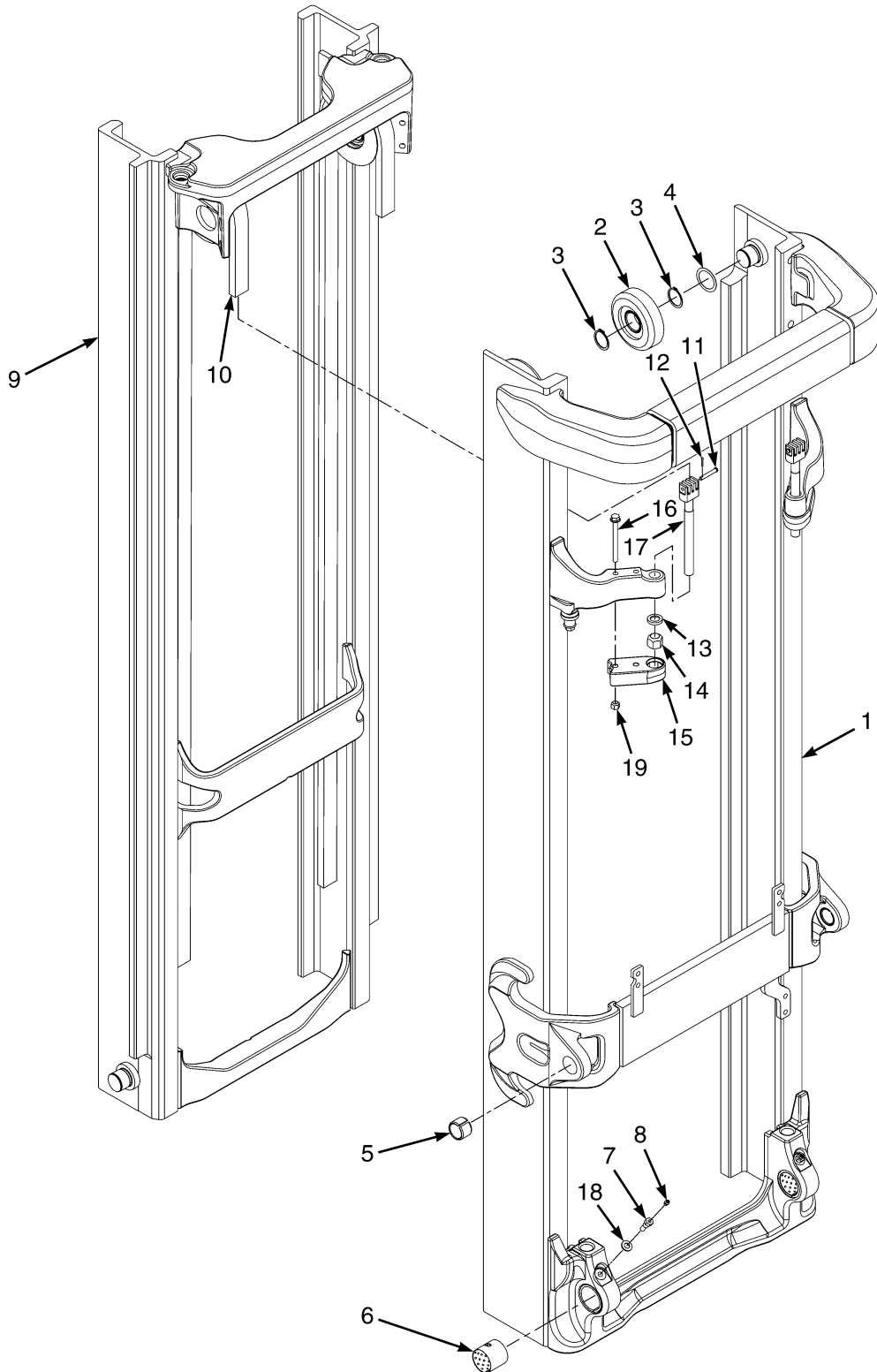


## SECTION 16

### MAST-TWO STAGE LIMITED FREE-LIFT

DESCRIPTION	PAGE
CARRIAGE	
TWO STAGE LIMITED FREE-LIFT .....	16-20
HEADER HOSE AND ATTACHING PARTS	
TWO STAGE LIMITED FREE-LIFT .....	16-16
INNER MAST	
TWO STAGE LIMITED FREE LIFT .....	16-4
MAIN LIFT	
TWO STAGE LIMITED FREE LIFT .....	16-6
MAIN LIFT CYLINDER	
TWO STAGE LIMITED FREE LIFT .....	16-8
TWO STAGE LIMITED FREE LIFT - HIGH LIFT .....	16-12
OUTER MAST	
TWO STAGE LIMITED FREE-LIFT .....	16-2

## OUTER MAST (FIGURE 16-1) TWO STAGE LIMITED FREE-LIFT



BP170642

**OUTER MAST  
TWO STAGE LIMITED FREE-LIFT**

**H2.0-2.5FT**

ITEM	DESCRIPTION 1 2 3 4	LIFT HEIGHT TO BOTTOM OF FORKS			
		3252 mm (128.0 in.)	3752 mm (147.7 in.)	4292 mm (169.0 in.)	4792 mm (188.7 in.)
		Mast Group Number	F507 3252	F507 3752	F507 4292
	Mast Assy	4627975	4627980	4627985	4627989
1	Outer Mast	4053747	4053752	4053758	4053763

**H3.0-3.5FT**

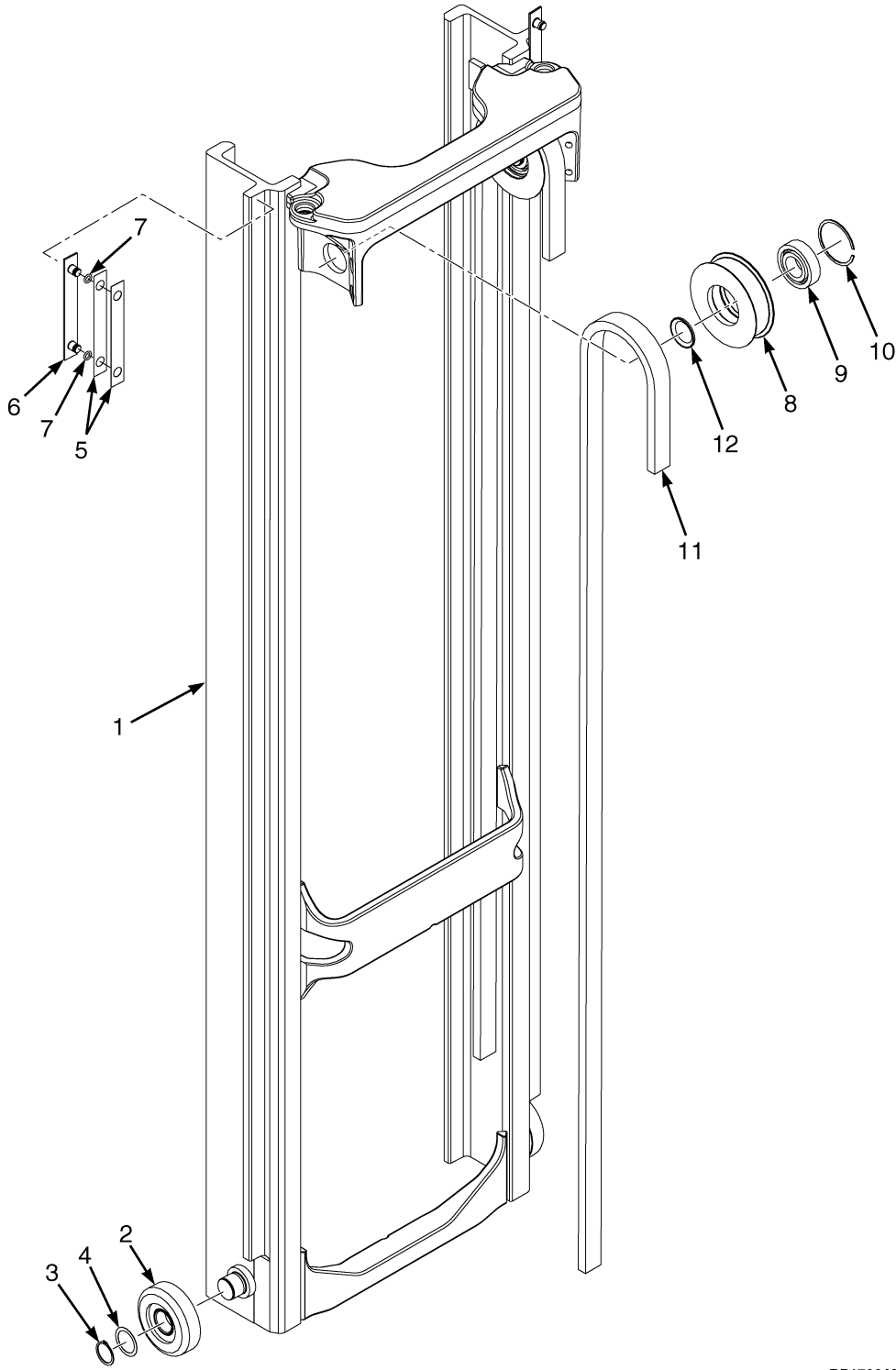
ITEM	DESCRIPTION 1 2 3 4	LIFT HEIGHT TO BOTTOM OF FORKS			
		3059 mm (120.4 in.)	3559 mm (140.1 in.)	4059 mm (159.8 in.)	4559 mm (179.5 in.)
		Mast Group Number	F562 3059	F562 3559	F562 4059
	Mast Assy	4627956	4627961	4627966	4627970
1	Outer Mast	4053747	4053752	4053758	4053763

ITEM	PART NO.	DESCRIPTION	QTY
	a . . . . .	Mast Assy .....	1
1	a . . . . .	Outer Mast .....	1
2	1333396	Load Roller ("B") (111.48/111.22) .....	2
2	1395168	Load Roller ("A") (111.10/110.84) (Optional) .....	2
3	58901	Snap Ring .....	2
3	1374797	Snap Ring (Optional) .....	2
4	129387	Shim (0.508 mm) .....	AR
5	300982	Bushing .....	2
6	4033414	Bushing (Bronze) .....	2
7	4033412	Capscrew .....	2
8	13957	Grease Fitting .....	2
9	. . . . .	Inner Mast .....	1
10	. . . . .	Chain .....	2
11	1514866	Pin .....	2
12	15211	Cotter Pin .....	2
13	297649	Ring .....	2
14	4031973	Nut .....	2
15	4051079	Restraint .....	2
16	4082846	Capscrew .....	2
17	4072717	Chain Anchor (H2.0-2.5FT) .....	2
17	4072704	Chain Anchor (H3.0-3.5FT) .....	2
18	1581557	Washer .....	2
19	1581566	Nut .....	4

**FOOTNOTES:**

a Refer to Table

## INNER MAST (FIGURE 16-2) TWO STAGE LIMITED FREE LIFT



BP170643

**INNER MAST  
TWO STAGE LIMITED FREE LIFT**

**H2.0-2.5FT**

ITEM	DESCRIPTION 1 2 3 4	LIFT HEIGHT TO BOTTOM OF FORKS			
		3252 mm (128.0 in.)	3752 mm (147.7 in.)	4292 mm (169.0 in.)	4792 mm (188.7 in.)
		Mast Group Number	F507 3252	F507 3752	F507 4292
	Mast Assy	4627975	4627980	4627985	4627989
1	Inner Mast	4054062	4054067	4054072	4054076
11	Chain	129361	180176	197327	1342081

**H3.0-3.5FT**

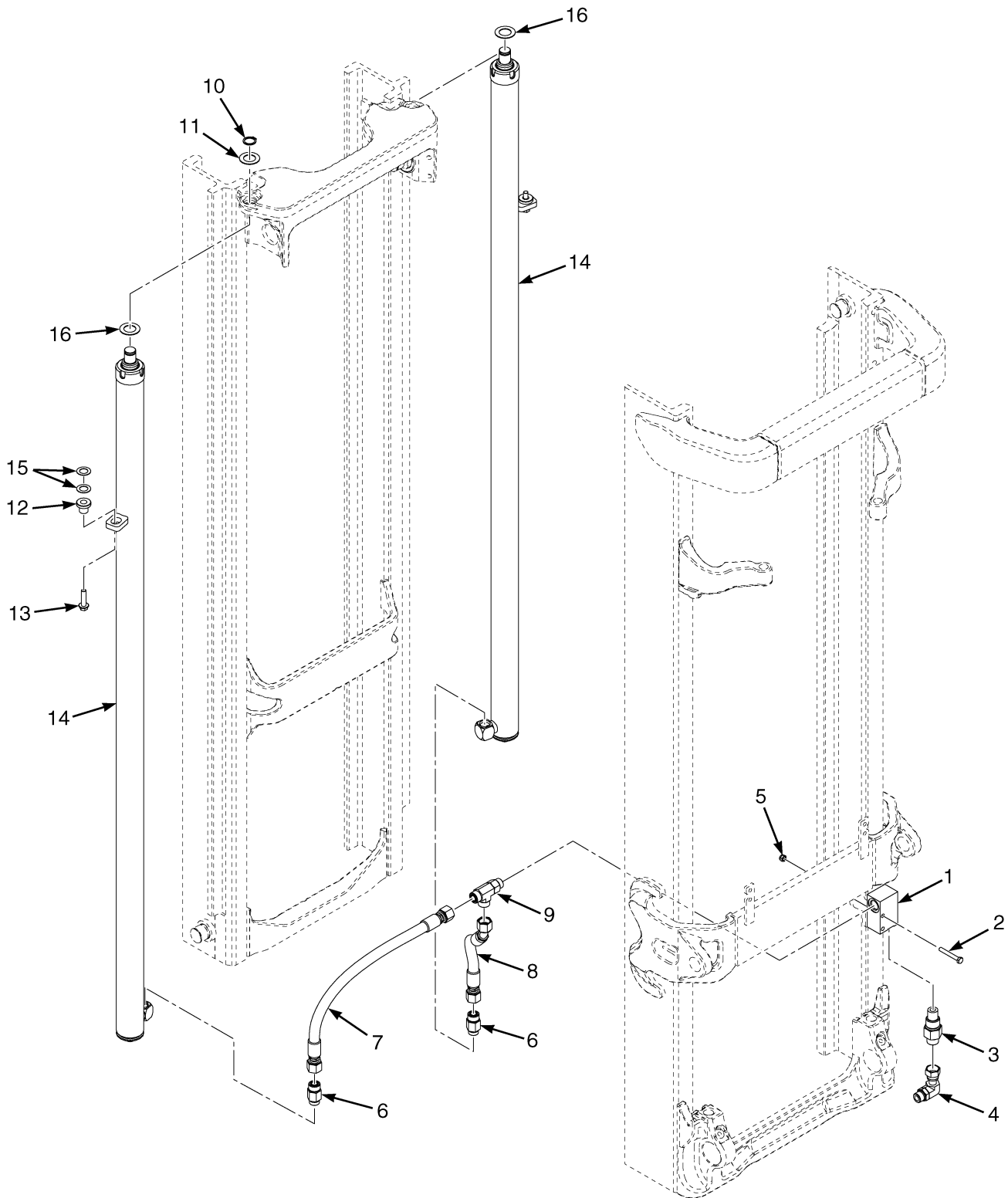
ITEM	DESCRIPTION 1 2 3 4	LIFT HEIGHT TO BOTTOM OF FORKS			
		3059 mm (120.4 in.)	3559 mm (140.1 in.)	4059 mm (159.8 in.)	4559 mm (179.5 in.)
		Mast Group Number	F562 3059	F562 3559	F562 4059
	Mast Assy	4627956	4627961	4627966	4627970
1	Inner Mast	4054062	4054067	----	4054076
11	Chain	1342384	1342387	1342136	1342394

ITEM	PART NO.	DESCRIPTION	QTY
	a . . . . .	Mast Assy .....	1
1	a . . . . .	Inner Mast .....	1
2	1333396	Load Roller ("B") (111.48/111.22) .....	2
2	1395168	Load Roller ("A") (111.10/110.84) (Optional) .....	2
3	58901	Snap Ring .....	2
3	1374797	Snap Ring (Optional) .....	2
4	129387	Shim (0.508 mm) .....	AR
5	131716	Shim (0.508 mm) .....	2
5	131715	Shim (0.178 mm) (Optional) .....	2
6	215211	Wear Strip .....	2
7	104506	O-Ring .....	4
8	4054944	Chain Sheave Assembly (H2.0-2.5FT) .....	2
8	4048508	Chain Sheave Assembly (H3.0-3.5FT) .....	2
8	4054945	Chain Sheave (H2.0-2.5FT) .....	1
8	4046499	Chain Sheave (H3.0-3.5FT) .....	1
9	1378699	Ball Bearing .....	1
10	37752	Snap Ring .....	1
11	a . . . . .	Chain .....	2
12	335661	Spacer .....	2

**FOOTNOTES:**

a Refer to Table

## MAIN LIFT (FIGURE 16-3) TWO STAGE LIMITED FREE LIFT

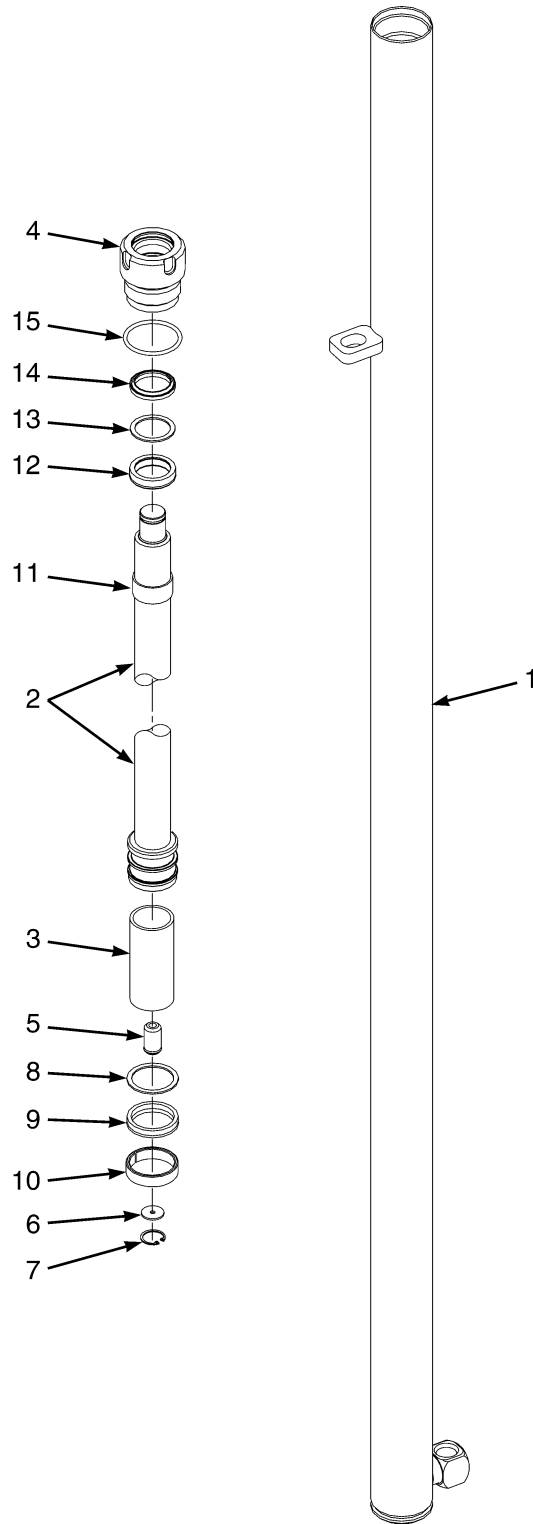


BP170644

**MAIN LIFT  
TWO STAGE LIMITED FREE LIFT**

ITEM	PART NO.	DESCRIPTION	QTY
1	4058916	Housing (Lowering Control) .....	1
2	1581836	Capscrew .....	2
3	2062651	Lowering Control Valve (H2.0-2.5FT) .....	1
3	2062652	Lowering Control Valve (H3.0-3.5FT) .....	1
4	1486580	Fitting .....	1
5	1581566	Nut .....	2
6	2062686	Hyd Velocity Fuse (H2.0-2.5FT) .....	2
6	2062687	Hyd Velocity Fuse (H3.0-3.5FT) .....	2
7	4620151	Hose Assy (LH) .....	1
8	4620152	Hose Assy (RH) .....	1
9	1592853	Fitting .....	1
10	131358	Snap Ring .....	2
11	1333382	Washer (1.500 mm) .....	2
12	4054558	Isolator .....	2
13	4029051	Capscrew .....	2
14	.....	Main Cylinder (☞Figure 16-4, ☞Figure 16-5).....	2
15	1581557	Washer .....	4
16	1354915	Washer (0.254 mm) .....	2
16	1354916	Washer (0.762 mm) .....	2
16	1354917	Washer (1.524 mm) .....	2

## MAIN LIFT CYLINDER (FIGURE 16-4) TWO STAGE LIMITED FREE LIFT



BP170645



**MAIN LIFT CYLINDER  
TWO STAGE LIMITED FREE LIFT**

**H2.0-2.5FT**

ITEM	DESCRIPTION 1 2 3 4	LIFT HEIGHT TO BOTTOM OF FORKS		
		3252 mm (128.0 in.)	3752 mm (147.7 in.)	4292 mm (169.0 in.)
		Mast Group Number	F507 3252	F507 3752
	Cylinder Group Number	8607406	8607411	8607416
	Lift Cylinder	4625308	4625313	4625318
1	Tube Wldmt- Cylinder	4064606	4064611	4064616
2	Cylinder Rod	1355158	1355178	1355199
3	Spacer	----	----	2045872

**H3.0-3.5FT**

ITEM	DESCRIPTION 1 2 3 4	LIFT HEIGHT TO BOTTOM OF FORKS	
		3059 mm (120.4 in.)	3559 mm (140.1 in.)
		Mast Group Number	F562 3059
	Cylinder Group Number	8607505	8607510
	Lift Cylinder	4625339	4625344
1	Tube Wldmt- Cylinder	4064635	4064640
2	Cylinder Rod	1355367	1355391
3	Spacer	1355711	1355711

**KEY:**

**A: H2.0-2.50FT**

**B: H3.0-3.50FT**

ITEM	PART NO.	DESCRIPTION	QTY	
			A	B
	<b>a</b> . . . . .	Lift Cylinder .....	2	2
1	<b>a</b> . . . . .	Tube Wldmt-Cylinder .....	1	1
2	<b>a</b> . . . . .	Cylinder Rod .....	1	1
3	<b>a</b> . . . . .	Spacer .....	1	1
4	4615847	Gland .....	1	..
4	4615848	Gland .....	..	1
5	257913	Check Valve .....	1	1
6	297531	Washer .....	1	1
6	637635	Washer (Optional) .....	1	1
7	187388	Snap Ring .....	1	1
8	638246	Back-Up Ring .....	1	..

## MAIN LIFT CYLINDER TWO STAGE LIMITED FREE LIFT

**KEY:**

**A: H2.0-2.50FT**

**B: H3.0-3.50FT**

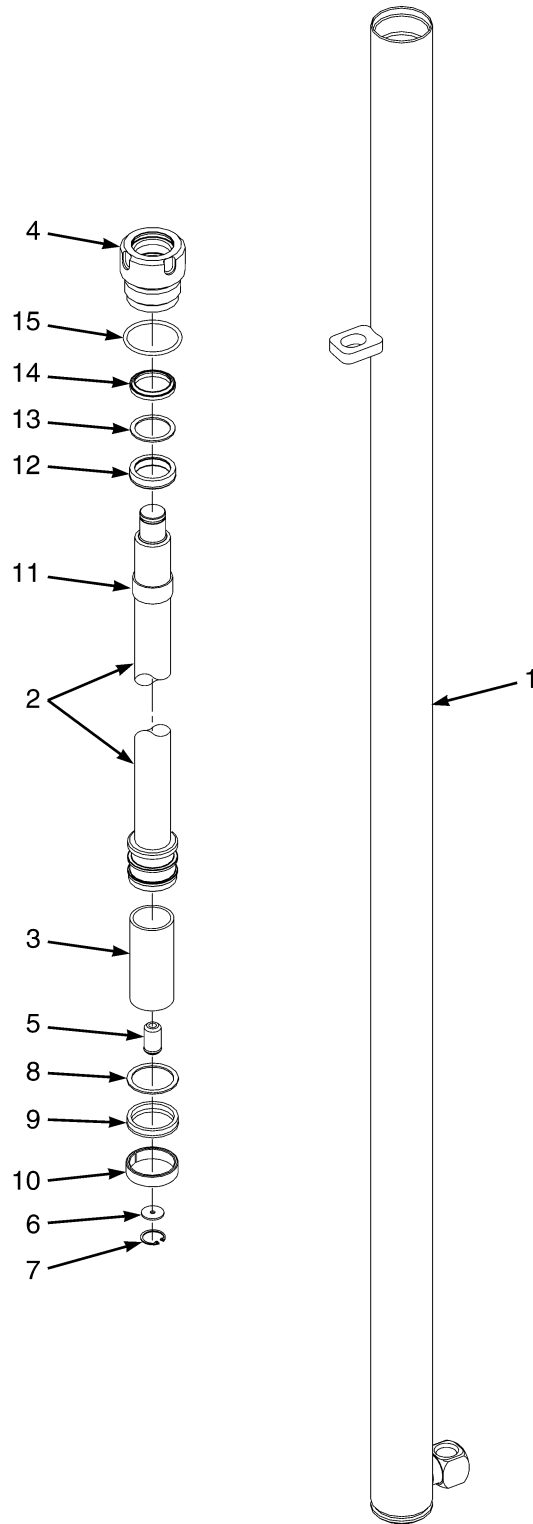
ITEM	PART NO.	DESCRIPTION	QTY	
			A	B
8	335012	Back-Up Ring .....	..	1
9	1381064	Piston Seal .....	1	..
9	1381063	Piston Seal .....	..	1
10	1356750	Wear Ring .....	1	..
10	1356751	Wear Ring .....	..	1
11	322902	Wear Ring .....	1	1
12	1356749	Rod Seal .....	1	1
13	322824	Back-Up Ring .....	1	1
14	1383063	Rod Wiper .....	1	1
15	92861	O-Ring .....	1	..
15	59229	O-Ring .....	..	1
	4623973	Kit-Seal .....	1	..
	4623974	Kit-Seal .....	..	1

**FOOTNOTES:**

**a** Refer to Table



## MAIN LIFT CYLINDER (FIGURE 16-5) TWO STAGE LIMITED FREE LIFT — HIGH LIFT



BP170645

**MAIN LIFT CYLINDER  
TWO STAGE LIMITED FREE LIFT – HIGH LIFT**

**H2.0-2.5FT**

ITEM	DESCRIPTION 1 2 3 4	LIFT HEIGHT TO BOTTOM OF FORKS	
		4792 mm (188.7 in.)	
	<b>Mast Group Number</b>	<b>F507 4792</b>	
	<b>Cylinder Group Number</b>	<b>8607451</b>	
	Lift Cylinder	4625330	
1	Tube Wldmt- Cylinder	4064621	
2	Cylinder Rod	1355217	
3	Spacer	1355221	

**H3.0-3.5FT**

ITEM	DESCRIPTION 1 2 3 4	LIFT HEIGHT TO BOTTOM OF FORKS	
		4059 mm (159.8 in.)	4559 mm (179.5 in.)
	<b>Mast Group Number</b>	<b>F562 4059</b>	<b>F562 4559</b>
	<b>Cylinder Group Number</b>	<b>8607552</b>	<b>8607557</b>
	Lift Cylinder	4625349	4625354
1	Tube Wldmt- Cylinder	4064645	4064650
2	Cylinder Rod	1355414	1355434
3	Spacer	2088124	2088124

**KEY:**

**A: H2.0-2.5FT**

**B: H3.0-3.5FT**

ITEM	PART NO.	DESCRIPTION	QTY	
			A	B
	<b>a . . . . .</b>	Lift Cylinder .....	2	2
1	<b>a . . . . .</b>	Tube Wldmt-Cylinder .....	1	1
2	<b>a . . . . .</b>	Cylinder Rod .....	1	1
3	<b>a . . . . .</b>	Spacer .....	1	1
4	4625463	Gland .....	1	1
5	257913	Check Valve .....	1	1
6	297531	Washer .....	1	1
6	637635	Washer (Optional) .....	1	1
7	187388	Snap Ring .....	1	1
8	638246	Back-Up Ring .....	1	..
8	335012	Back-Up Ring .....	..	1

**MAIN LIFT CYLINDER  
TWO STAGE LIMITED FREE LIFT – HIGH LIFT**

**KEY:**

**A: H2.0-2.5FT**

**B: H3.0-3.5FT**

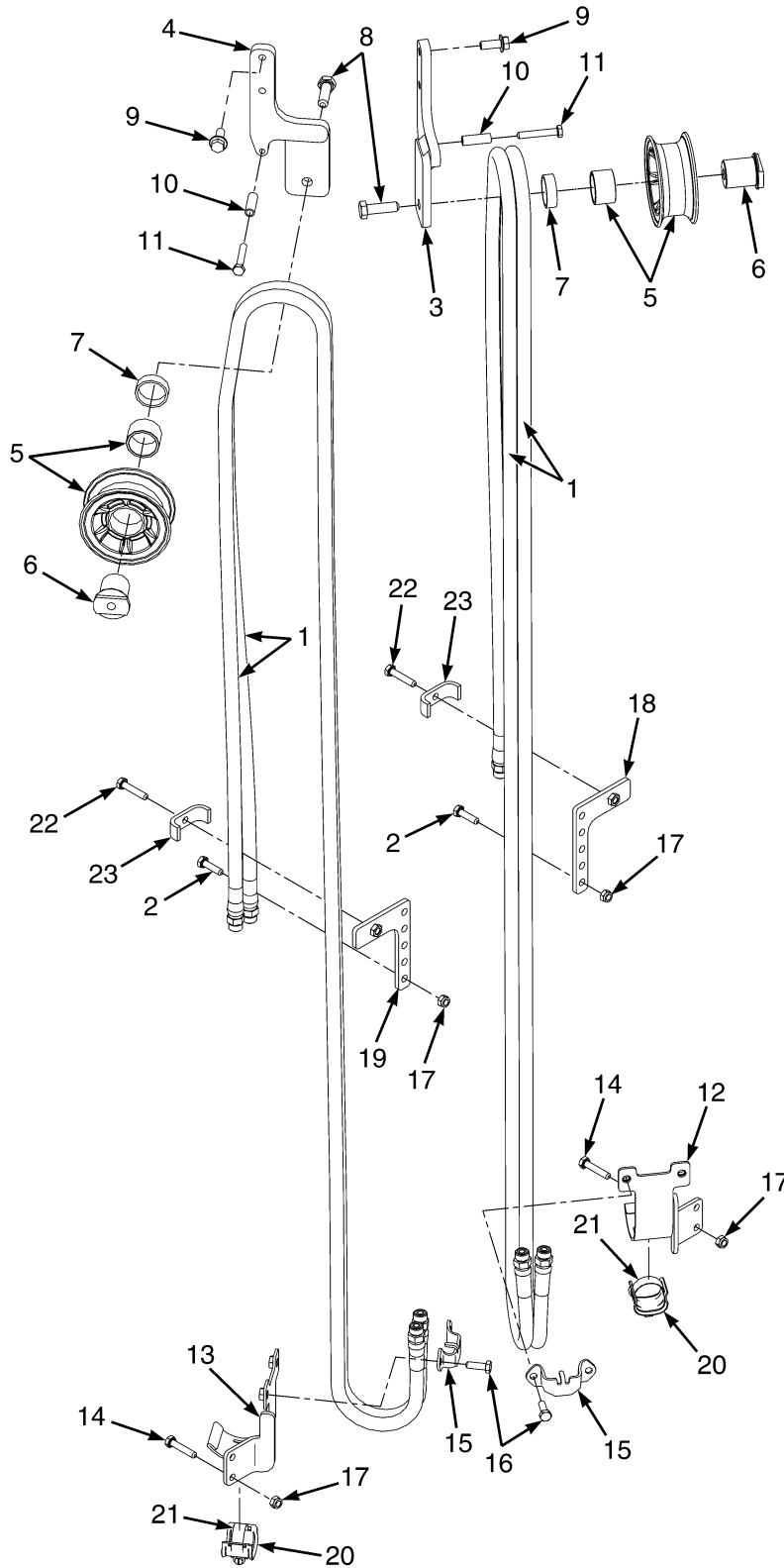
ITEM	PART NO.	DESCRIPTION	QTY	
			A	B
9	1381064	Piston Seal .....	1	..
9	1381063	Piston Seal .....	..	1
10	1356750	Wear Ring .....	1	..
10	1356751	Wear Ring .....	..	1
11	1380570	Wear Ring .....	1	1
12	1356752	Rod Seal .....	1	1
13	335012	Back-Up Ring .....	1	..
14	1383064	Rod Wiper .....	1	1
15	39389	O-Ring .....	1	..
15	59229	O-Ring .....	..	1
	4625474	Kit-Seal .....	1	..
	4625475	Kit-Seal .....	..	1

**FOOTNOTES:**

**a** Refer to Table



## HEADER HOSE AND ATTACHING PARTS (FIGURE 16-6) TWO STAGE LIMITED FREE-LIFT



BP170655



**HEADER HOSE AND ATTACHING PARTS  
TWO STAGE LIMITED FREE-LIFT**

**H2.0-2.5FT**

ITEM	DESCRIPTION 1 2 3 4	LIFT HEIGHT TO BOTTOM OF FORKS			
		3252 mm (128.0 in.)	3752 mm (147.7 in.)	4292 mm (169.0 in.)	4792 mm (188.7 in.)
		Mast Group Number	F507 3252	F507 3752	F507 4292
1	Header Hose	4628135	4628140	4628145	4628149

**H3.0-3.5FT**

ITEM	DESCRIPTION 1 2 3 4	LIFT HEIGHT TO BOTTOM OF FORKS			
		3059 mm (120.4 in.)	3559 mm (140.1 in.)	4059 mm (159.8 in.)	4559 mm (179.5 in.)
		Mast Group Number	F562 3059	F562 3559	F562 4059
1	Header Hose	4628135	4628140	4628145	4628149

**KEY:**

**A:** Three Function

**B:** Four Function

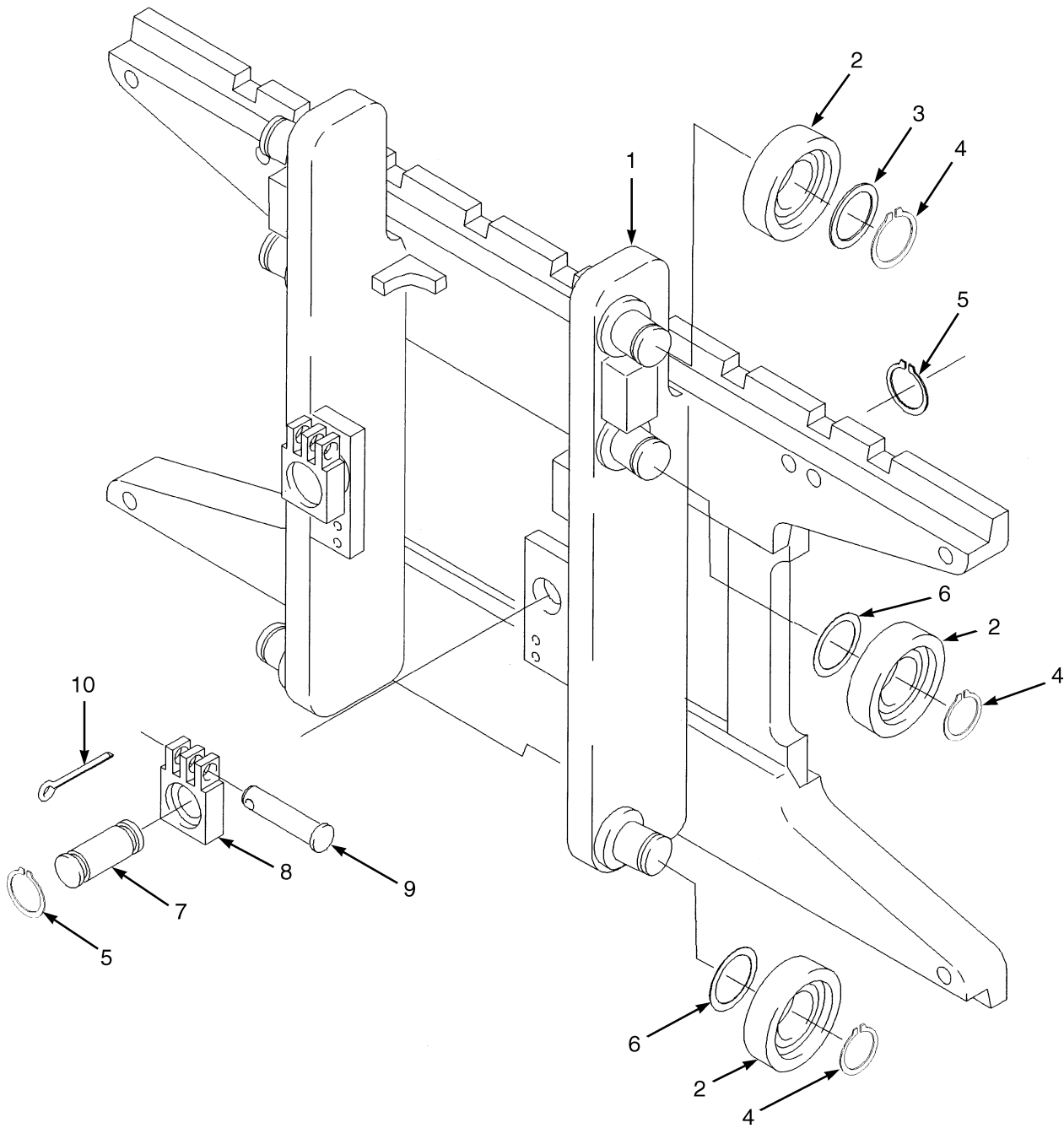
ITEM	PART NO.	DESCRIPTION	QTY	
			A	B
1	a . . . . .	Header Hose .....	2	4
2	1696161	Capscrew .....	2	4
3	4051290	Bracket Wldmt .....	1	1
4	4058915	Bracket Wldmt .....	..	1
5	4048781	Hose Sheave .....	1	2
6	4013268	Stubshaft .....	1	2
7	4051293	Spacer .....	1	2
8	1581591	Capscrew .....	1	2
9	4051501	Capscrew .....	2	4
10	4013273	Spacer (Thin Wall) .....	1	2
11	1581583	Capscrew .....	1	2
12	4058930	Bracket Wldmt .....	1	1
13	4058935	Bracket Wldmt .....	..	1
14	1581582	Capscrew .....	2	4
15	4059830	Clamp .....	1	2
16	1581581	Capscrew .....	2	4
17	1581566	Nut .....	4	8
18	4093657	Plate Wldmt (LH) .....	1	1
19	4093656	Plate Wldmt (RH) .....	..	1
20	1477996	Hose Clamp .....	1	2
21	369804	Clamp .....	1	2
22	292508	Capscrew .....	1	2
23	1345348	Clamp .....	1	2

**FOOTNOTES:**

- a Refer to Table



## CARRIAGE (FIGURE 16-7) TWO STAGE LIMITED FREE-LIFT



HP290013

**CARRIAGE**  
**TWO STAGE LIMITED FREE-LIFT****KEY:****A: H2.0-2.5FT****B: H3.0-3.5FT**

ITEM	PART NO.	DESCRIPTION	QTY	
			A	B
	4625586	Carriage (1067 mm) .....	1	..
	4625594	Carriage (1067 mm) .....	..	1
1	4065173	Carriage Wldmt (1067 mm) .....	1	..
1	4065200	Carriage Wldmt (1067 mm) .....	..	1
1	1345264	Stubshaft .....	6	6
2	1345219	Load Roller ("B") (111.48/111.22) .....	6	6
3	366116	Spacer .....	2	2
4	12891	Snap Ring .....	6	6
4	386422	Snap Ring (Optional) .....	6	6
5	131358	Snap Ring .....	4	4
6	1345263	Shim (0.508 mm) .....	AR	AR
7	1353408	Pin .....	2	2
8	1369345	Chain Anchor (Dual Hole) .....	2	..
8	1504010	Chain Anchor (Single Hole) (Optional) .....	2	..
8	1369344	Chain Anchor (Dual Hole) .....	..	2
8	1504012	Chain Anchor (Single Hole) (Optional) .....	..	2
9	1514866	Pin .....	2	2
10	15211	Cotter Pin .....	2	2





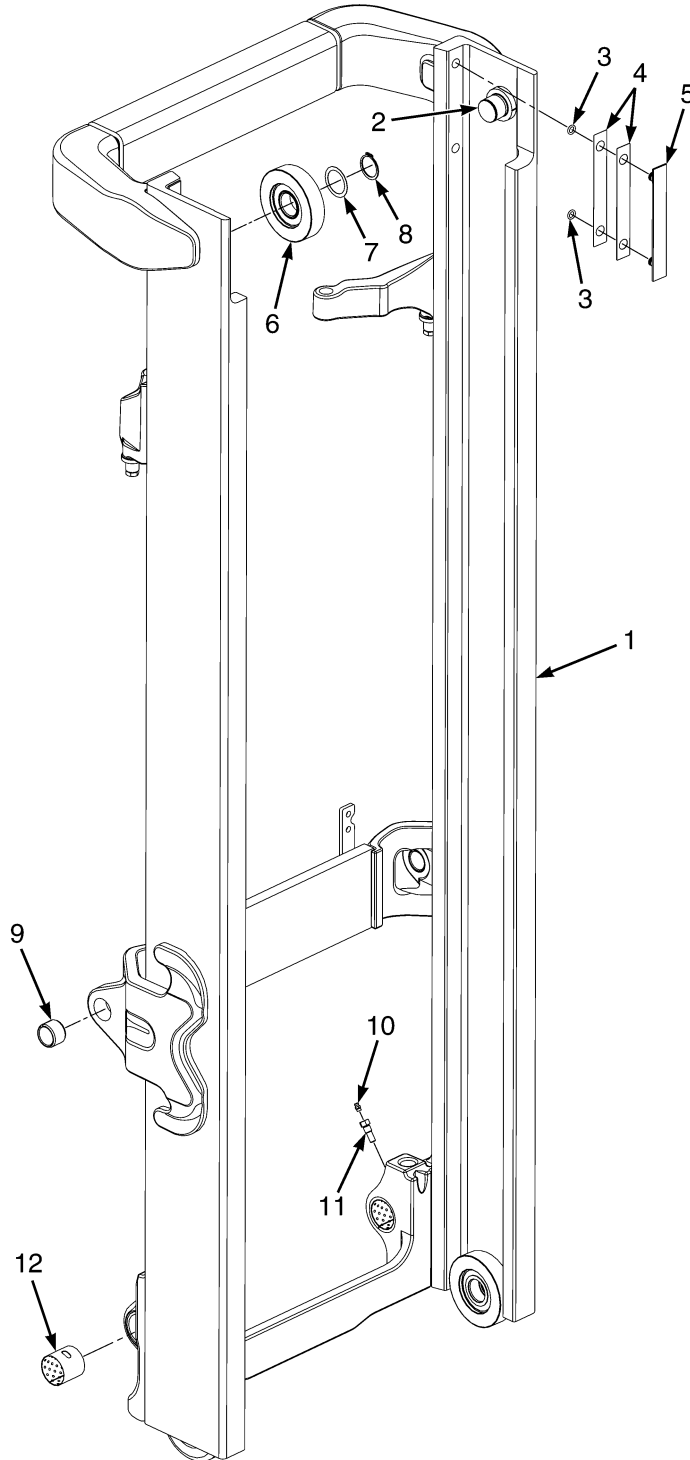




## SECTION 17 MAST-TWO STAGE FULL FREE-LIFT

DESCRIPTION	PAGE
CARRIAGE	
TWO STAGE FULL FREE-LIFT .....	17-22
FREE-LIFT	
TWO STAGE FULL FREE- LIFT .....	17-12
FREE-LIFT CYLINDER	
TWO STAGE FULL FREE- LIFT .....	17-15
HEADER HOSE AND ATTACHING PARTS	
TWO STAGE FULL FREE-LIFT .....	17-18
INNER MAST	
TWO STAGE FULL FREE- LIFT .....	17-4
MAIN LIFT	
TWO STAGE FULL FREE- LIFT .....	17-6
MAIN LIFT CYLINDER - LH	
TWO STAGE FULL FREE- LIFT .....	17-10
MAIN LIFT CYLINDER - RH	
TWO STAGE FULL FREE- LIFT .....	17-8
OUTER MAST	
TWO STAGE FULL FREE LIFT .....	17-2

## OUTER MAST (FIGURE 17-1) TWO STAGE FULL FREE LIFT



BP290161

**OUTER MAST  
TWO STAGE FULL FREE LIFT**

**E509**

ITEM	DESCRIPTION 1 2 3 4	LIFT HEIGHT TO BOTTOM OF FORKS
		3262 mm (128.4 in.)
	Mast Group Number	E509 3262
	Mast Assy	4624667
1	Outer Mast	4062954

**E564**

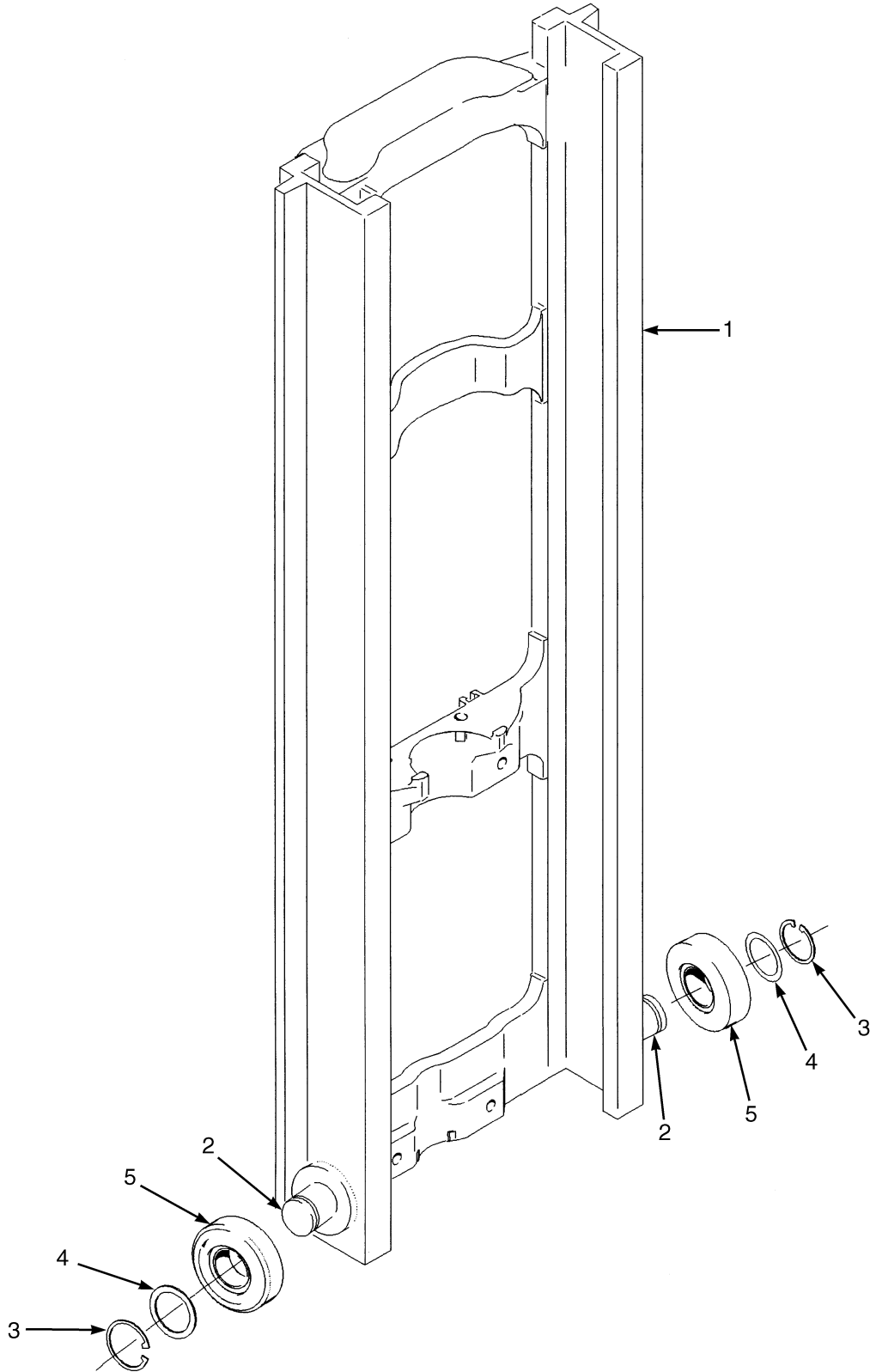
ITEM	DESCRIPTION 1 2 3 4	LIFT HEIGHT TO BOTTOM OF FORKS
		3060 mm (120.5 in.)
	Mast Group Number	E564 3060
	Mast Assy	4624725
1	Outer Mast	4062954

ITEM	PART NO.	DESCRIPTION	QTY
	<b>a</b> . . . . .	Mast Assy .....	1
1	<b>a</b> . . . . .	Outer Mast .....	1
2	1345216	Stubshaft .....	2
3	104506	O-Ring .....	4
4	131716	Shim (0.508 mm) .....	AR
4	131715	Shim (0.178 mm) (Optional) .....	AR
5	215211	Wear Strip .....	2
6	1395168	Load Roller ("A") (111.10/110.84) .....	2
6	1333396	Load Roller ("B") (111.48/111.22) .....	2
6	1333397	Load Roller ("C") (112.62/112.36) .....	2
7	129387	Shim (0.508 mm) .....	2
8	58901	Snap Ring .....	2
8	1374797	Snap Ring (Optional) .....	2
9	300982	Bushing .....	2
10	13957	Grease Fitting .....	2
11	4033412	Capscrew (Lube) .....	2
12	4033414	Bushing .....	2

**FOOTNOTES:**

**a** Refer to Table

**INNER MAST (FIGURE 17-2)  
TWO STAGE FULL FREE- LIFT**



HP290005

**INNER MAST  
TWO STAGE FULL FREE- LIFT**

**E509**

ITEM	DESCRIPTION 1 2 3 4	LIFT HEIGHT TO BOTTOM OF FORKS
		3262 mm (128.4 in.)
	Mast Group Number	E509 3262
	Mast Assy	4624667
1	Inner Mast	1342477

**E564**

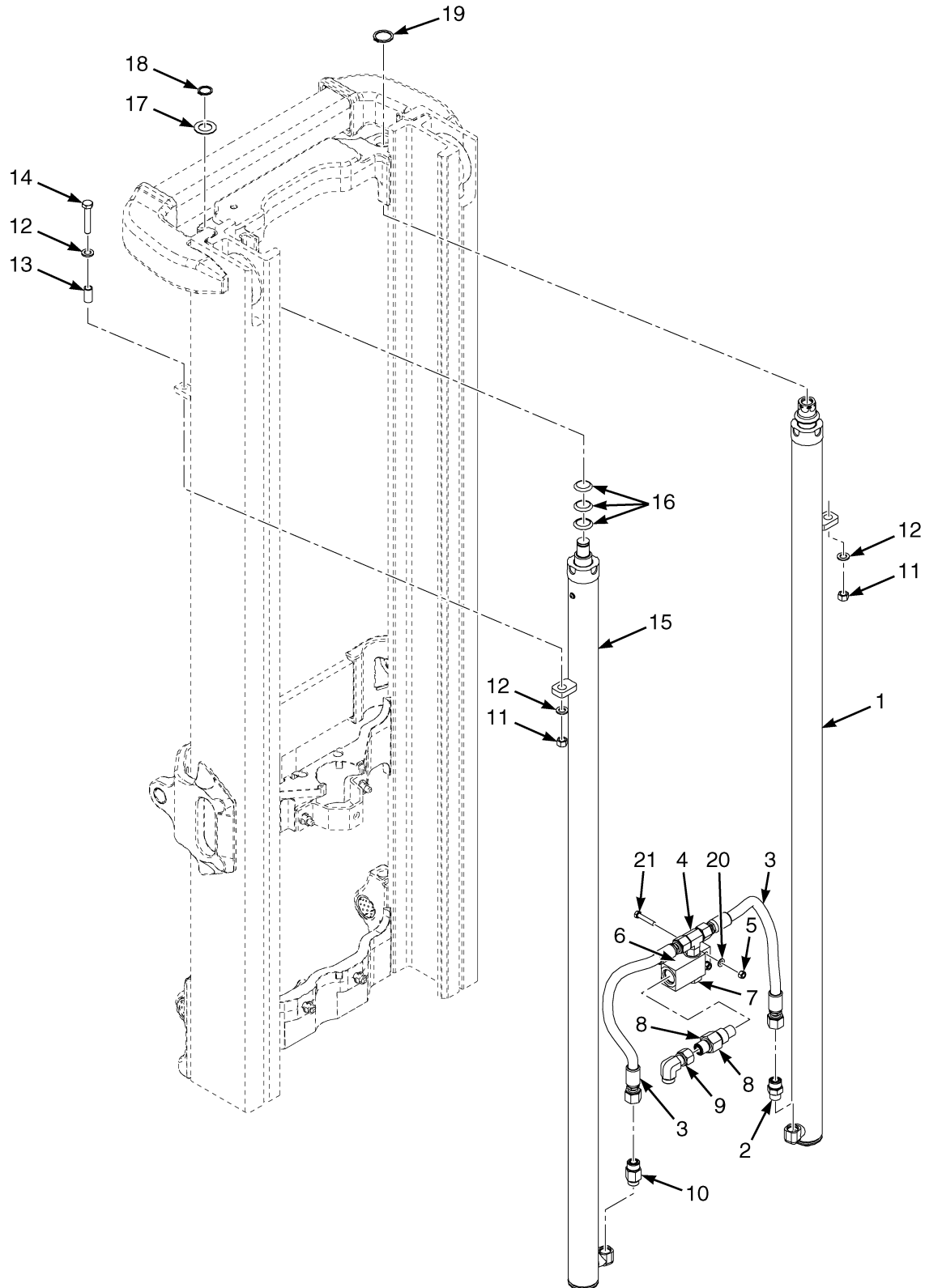
ITEM	DESCRIPTION 1 2 3 4	LIFT HEIGHT TO BOTTOM OF FORKS
		3060 mm (120.5 in.)
	Mast Group Number	E564 3060
	Mast Assy	4624725
1	Inner Mast	1342477

ITEM	PART NO.	DESCRIPTION	QTY
	<b>a</b> . . . . .	Mast Assy .....	1
1	<b>a</b> . . . . .	Inner Mast .....	1
2	1345216	Stubshaft .....	2
3	58901	Snap Ring .....	2
3	1374797	Snap Ring (Optional) .....	2
4	129387	Shim (0.508 mm) .....	AR
5	1395168	Load Roller ("A") (111.10/110.84) .....	2
5	1333396	Load Roller ("B") (111.48/111.22) .....	2
5	1333397	Load Roller ("C") (112.62/112.36) .....	2

**FOOTNOTES:**

**a** Refer to Table

## MAIN LIFT (FIGURE 17-3) TWO STAGE FULL FREE- LIFT

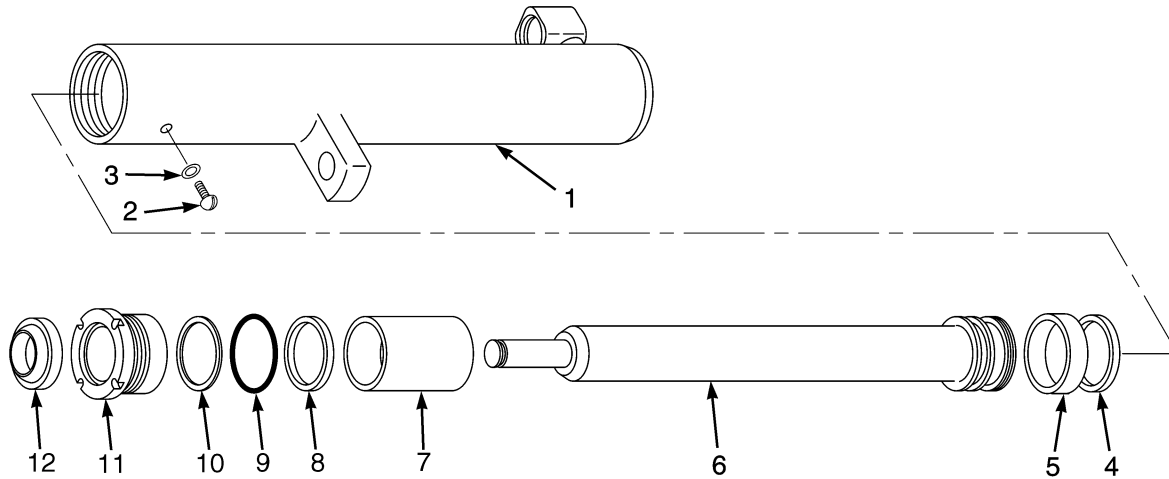


BP170715

**MAIN LIFT  
TWO STAGE FULL FREE- LIFT**

ITEM	PART NO.	DESCRIPTION	QTY
1	.....	Main Lift Cylinder (LH) (☞Figure 17-5).....	1
2	1486749	Fitting .....	1
3	1481097	Hose Assy .....	2
4	1532650	Fitting .....	1
5	1581566	Nut .....	2
6	1379687	Housing (Lowering Control) .....	1
6	1333392	Housing (Lowering Control) (Optional) .....	1
7	14603	Plug .....	1
7	16486	O-Ring .....	1
8	2062651	Lowering Control Valve (H2.0-2.5FT) .....	1
8	2062652	Lowering Control Valve (H3.0-3.5FT) .....	1
8	280154	O-Ring .....	1
8	252729	O-Ring .....	1
9	1486773	Fitting .....	1
10	2062686	Hyd Velocity Fuse (H2.0-2.5FT) .....	1
10	2062687	Hyd Velocity Fuse (H3.0-3.5FT) .....	1
11	1581849	Nut .....	2
12	1581852	Washer .....	4
13	323090	Spacer .....	2
14	1581829	Capscrew .....	2
15	.....	Main Lift Cylinder (RH) (☞Figure 17-4).....	1
16	1354915	Washer (0.254 mm) .....	AR
16	1354916	Washer (0.762 mm) .....	AR
16	1354917	Washer (1.524 mm) .....	AR
17	1333382	Washer (1.500 mm) .....	1
18	131358	Snap Ring .....	1
19	304526	Snap Ring .....	1
20	1581556	Washer .....	2
21	1581835	Capscrew .....	2
21	1581583	Capscrew (Optional) .....	2

## MAIN LIFT CYLINDER - RH (FIGURE 17-4) TWO STAGE FULL FREE- LIFT



HP171367

## MAIN LIFT CYLINDER - RH TWO STAGE FULL FREE- LIFT

### RIGHT HAND

ITEM	DESCRIPTION 1 2 3 4	LIFT HEIGHT TO BOTTOM OF FORKS
	Mast Group Number	E509 3262
	Cylinder Group Number	8518609
	Cylinder Assy	2058651
1	Tube Wldmt- Cylinder	2058536
6	Cylinder Rod	1358940
7	Spacer	----



**MAIN LIFT CYLINDER - RH  
TWO STAGE FULL FREE- LIFT  
RIGHT HAND**

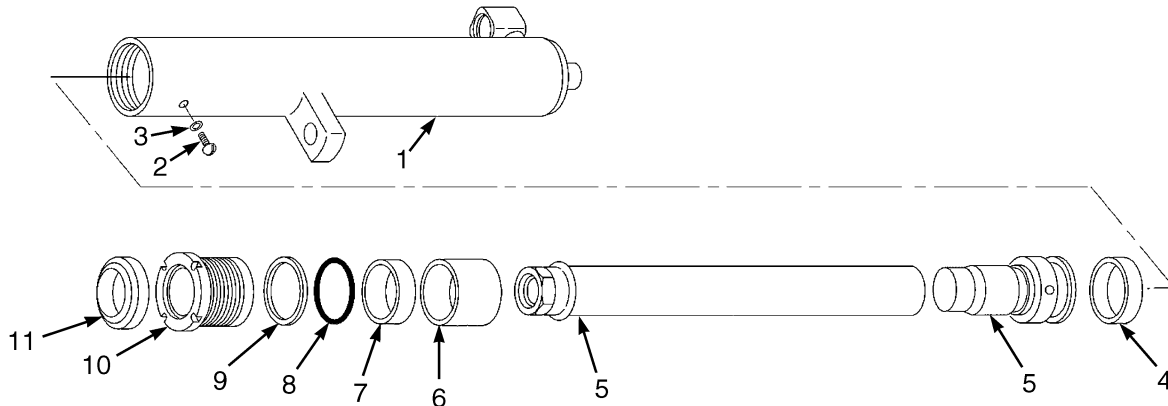
ITEM	DESCRIPTION 1 2 3 4	LIFT HEIGHT TO BOTTOM OF FORKS
		3262 mm (128.4 in.)
	<b>Mast Group Number</b>	<b>E564 3060</b>
	<b>Cylinder Group Number</b>	<b>8518659</b>
	Cylinder Assy	2060422
1	Tube Wldmt- Cylinder	2058536
6	Cylinder Rod	1358940
7	Spacer	2073159

ITEM	PART NO.	DESCRIPTION	QTY
	<b>a . . . . .</b>	Cylinder Assy .....	1
1	<b>a . . . . .</b>	Tube Wldmt-Cylinder .....	1
2	295649	Screw .....	1
3	190887	Sealing Ring .....	1
4	1356748	Piston Ring .....	1
5	1356747	Wear Ring .....	1
6	<b>a . . . . .</b>	Cylinder Rod .....	1
7	<b>a . . . . .</b>	Spacer .....	1
8	1381095	Rod Seal .....	1
9	59229	O-Ring .....	1
10	147972	Back-Up Ring .....	1
11	1355713	Gland .....	1
12	1319668	Rod Wiper .....	1
	1496922	Kit-Seal .....	1

**FOOTNOTES:**

**a** Refer to Table

## MAIN LIFT CYLINDER - LH (FIGURE 17-5) TWO STAGE FULL FREE- LIFT



HP171366

## MAIN LIFT CYLINDER - LH TWO STAGE FULL FREE- LIFT

### LEFT HAND

ITEM	DESCRIPTION 1 2 3 4	LIFT HEIGHT TO BOTTOM OF FORKS
		3262 mm (128.4 in.)
	<b>Mast Group Number</b>	<b>E509 3262</b>
	<b>Cylinder Group Number</b>	<b>8518509</b>
	Cylinder Assy	2058619
1	Tube Wldmt- Cylinder	2058500
5	Cylinder Rod Assembly	1355929
6	Spacer	----

**MAIN LIFT CYLINDER - LH  
TWO STAGE FULL FREE- LIFT****LEFT HAND**

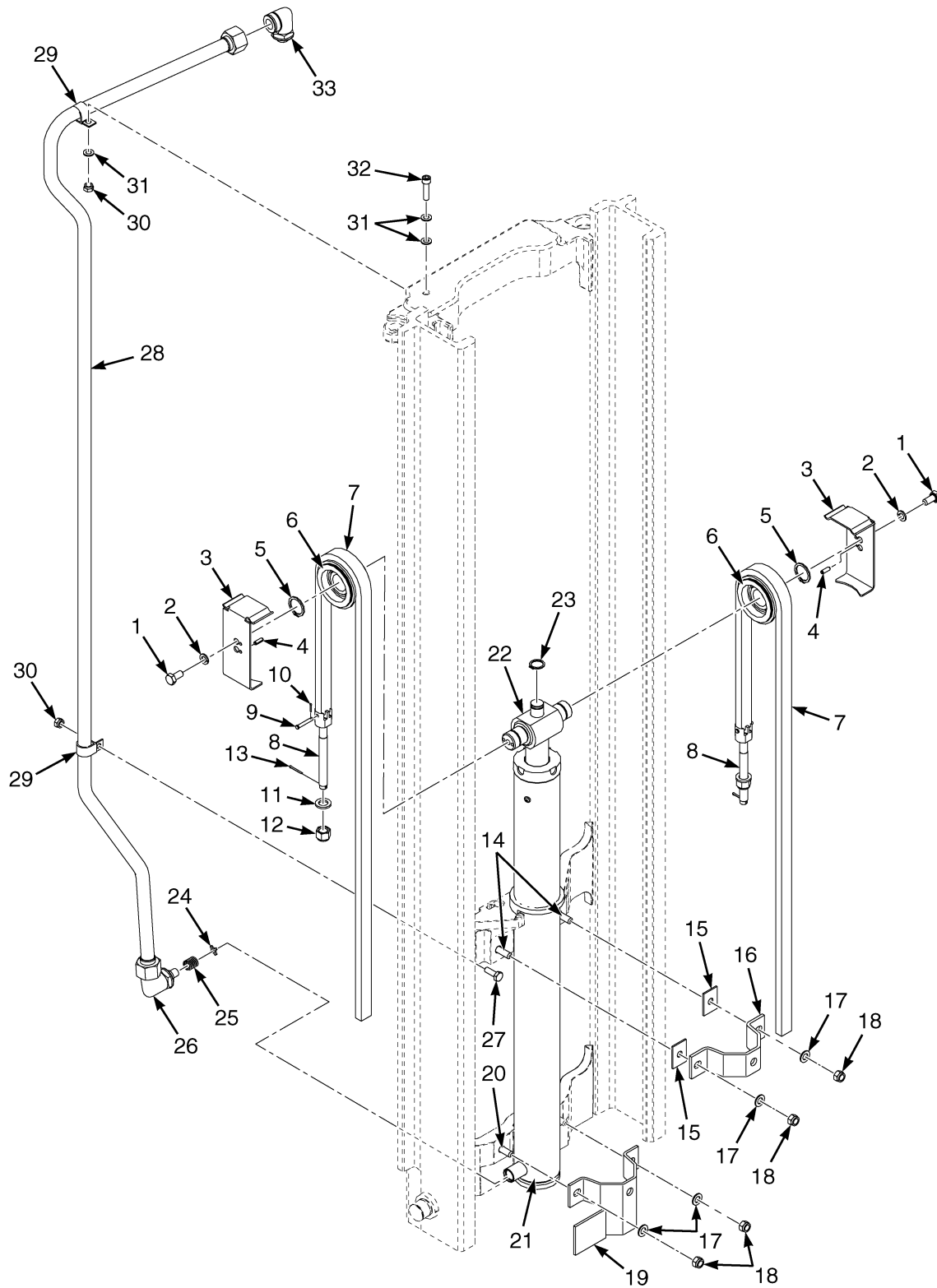
ITEM	DESCRIPTION 1 2 3 4	LIFT HEIGHT TO BOTTOM OF FORKS
		3262 mm (128.4 in.)
	<b>Mast Group Number</b>	<b>E564 3060</b>
	<b>Cylinder Group Number</b>	<b>8518559</b>
	Cylinder Assy	2058823
1	Tube Wldmt- Cylinder	2058500
5	Cylinder Rod Assembly	1355929
6	Spacer	2073159

ITEM	PART NO.	DESCRIPTION	QTY
	<b>a . . . . .</b>	Cylinder Assy .....	1
1	<b>a . . . . .</b>	Tube Wldmt-Cylinder .....	1
2	295649	Screw .....	1
3	190887	Sealing Ring .....	1
4	1356747	Wear Ring .....	1
5	<b>a . . . . .</b>	Cylinder Rod Assembly .....	1
6	<b>a . . . . .</b>	Spacer .....	1
7	1381095	Rod Seal .....	1
8	59229	O-Ring .....	1
9	147972	Back-Up Ring .....	1
10	1355713	Gland .....	1
11	1319668	Rod Wiper .....	1
	1496922	Kit-Seal .....	1

**FOOTNOTES:**

**a** Refer to Table

## FREE-LIFT (FIGURE 17-6) TWO STAGE FULL FREE-LIFT



BP170716

**FREE-LIFT  
TWO STAGE FULL FREE- LIFT**

**E509**

ITEM	DESCRIPTION 1 2 3 4	LIFT HEIGHT TO BOTTOM OF FORKS
		3262 mm (128.4 in.)
	<b>Mast Group Number</b>	<b>E509 3262</b>
	Mast Assy	4624667
7	Chain	180177
28	Tube Assy	1481742

**E564**

ITEM	DESCRIPTION 1 2 3 4	LIFT HEIGHT TO BOTTOM OF FORKS
		3060 mm (120.5 in.)
	<b>Mast Group Number</b>	<b>E564 3060</b>
	Mast Assy	4624725
7	Chain	1342377
28	Tube Assy	1481742

ITEM	PART NO.	DESCRIPTION	QTY
	<b>a . . . . .</b>	Mast Assy .....	1
1	1581590	Capscrew .....	2
2	1581852	Washer .....	2
3	1395285	Chain Guard .....	2
4	302461	Roll Pin .....	2
5	304526	Snap Ring .....	2
6	1379682	Chain Sheave Assembly (H2.0-2.5FT) .....	2
6	1379683	Chain Sheave Assembly (H3.0-3.5FT) .....	2
6	1378693	Chain Sheave .....	1
6	37752	Snap Ring .....	1
6	1378699	Ball Bearing .....	1
7	<b>a . . . . .</b>	Chain .....	2
8	1369357	Chain Anchor (H2.0-2.5FT) .....	2
8	1369356	Chain Anchor (H3.0-3.5FT) .....	2
9	1514866	Pin .....	2
10	15211	Cotter Pin .....	2
11	297649	Ring .....	2
12	161003	Nut .....	2
13	15223	Cotter Pin .....	2
14	1581828	Capscrew .....	2
15	1354902	Spacer (H3.0-3.5FT) .....	4
16	1465504	Tie Down .....	1
17	1581559	Washer .....	4
18	1581849	Nut .....	4
19	1354967	Bracket Wldmt .....	1

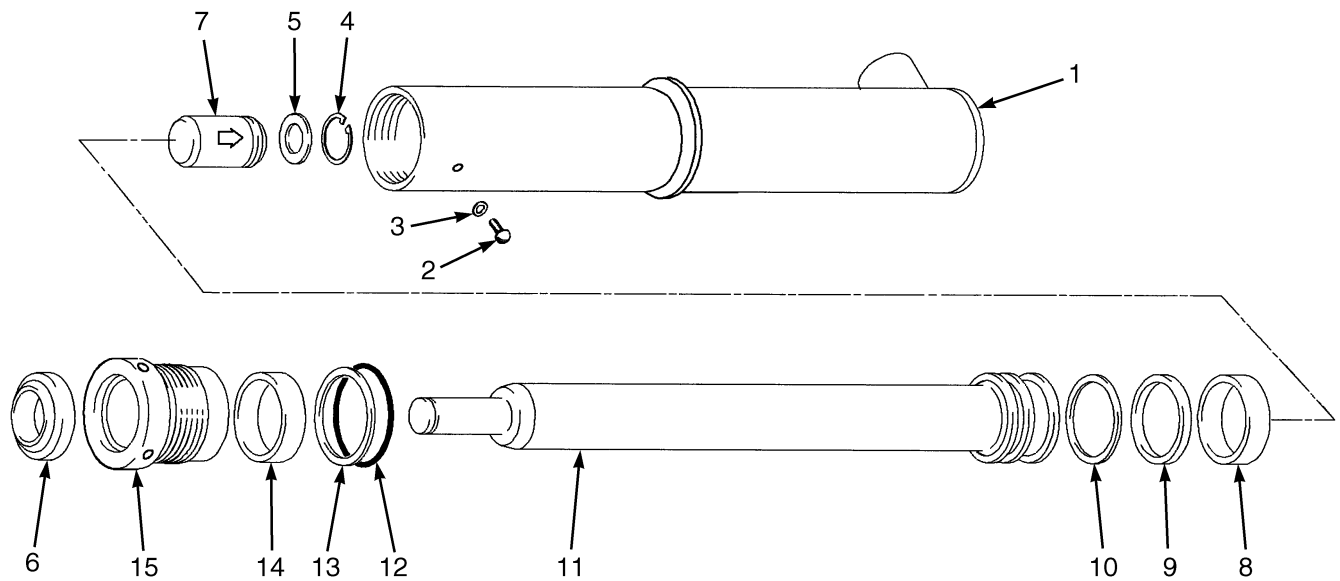
**FREE-LIFT  
TWO STAGE FULL FREE- LIFT**

ITEM	PART NO.	DESCRIPTION	QTY
20	1581827	Capscrew .....	2
21	. . . . .	Free-Lift Cylinder (☞ Figure 17-7).....	1
22	1378690	Crosshead .....	1
23	131358	Snap Ring .....	1
24	356505	Washer .....	1
25	154355	Spring .....	1
26	1481096	Fitting .....	1
27	1581587	Capscrew .....	1
28	<b>a</b> . . . . .	Tube Assy .....	1
29	178119	Clamp .....	2
30	1581567	Nut .....	2
31	1581557	Washer .....	3
32	1581841	Capscrew .....	1
33	1481090	Fitting .....	1

**FOOTNOTES:**

**a** Refer to Table

**FREE-LIFT CYLINDER (FIGURE 17-7)  
TWO STAGE FULL FREE- LIFT**



BP170667

**FREE-LIFT CYLINDER  
TWO STAGE FULL FREE- LIFT**

**E509**

ITEM	DESCRIPTION 1 2 3 4	LIFT HEIGHT TO BOTTOM OF FORKS
		3262 mm (128.4 in.)
	<b>Mast Group Number</b>	<b>E509 3262</b>
	<b>Cylinder Group Number</b>	<b>8514559</b>
	Cylinder Assy	2053796
1	Tube Wldmt- Cylinder	2058213
11	Cylinder Rod	1356569

## FREE-LIFT CYLINDER TWO STAGE FULL FREE- LIFT

### E564

ITEM	DESCRIPTION 1 2 3 4	LIFT HEIGHT TO BOTTOM OF FORKS
		3060 mm (120.5 in.)
	Mast Group Number	E564 3060
	Cylinder Group Number	8518709
	Cylinder Assy	2058326
1	Tube Wldmt- Cylinder	2058252
11	Cylinder Rod	1356688

**KEY:**

A: H2.0-2.5FT

B: H3.0-3.5FT

ITEM	PART NO.	DESCRIPTION	QTY	
			A	B
	a . . . . .	Cylinder Assy .....	1	1
1	a . . . . .	Tube Wldmt-Cylinder .....	1	1
2	1361302	Screw .....	1	1
3	190887	Sealing Ring .....	1	1
4	187388	Snap Ring .....	1	1
5	297531	Washer .....	1	1
6	1463105	Rod Wiper .....	1	1
7	297538	Check Valve .....	1	1
8	1358972	Wear Ring .....	1	..
8	636941	Wear Ring .....	..	1
9	2013088	Rod Seal .....	1	..
9	309062	Rod Seal .....	..	1
10	2013089	Back-Up Ring .....	1	..
10	637565	Back-Up Ring .....	..	1
11	a . . . . .	Cylinder Rod .....	1	1
12	90263	O-Ring .....	1	..
12	15880	O-Ring .....	..	1
13	147973	Back-Up Ring .....	1	..
13	164840	Back-Up Ring .....	..	1
14	1622946	Rod Seal .....	1	1
15	1356292	Gland .....	1	..
15	1356661	Gland .....	..	1
	1358969	Kit-Seal .....	1	..
	1356662	Kit-Seal .....	..	1

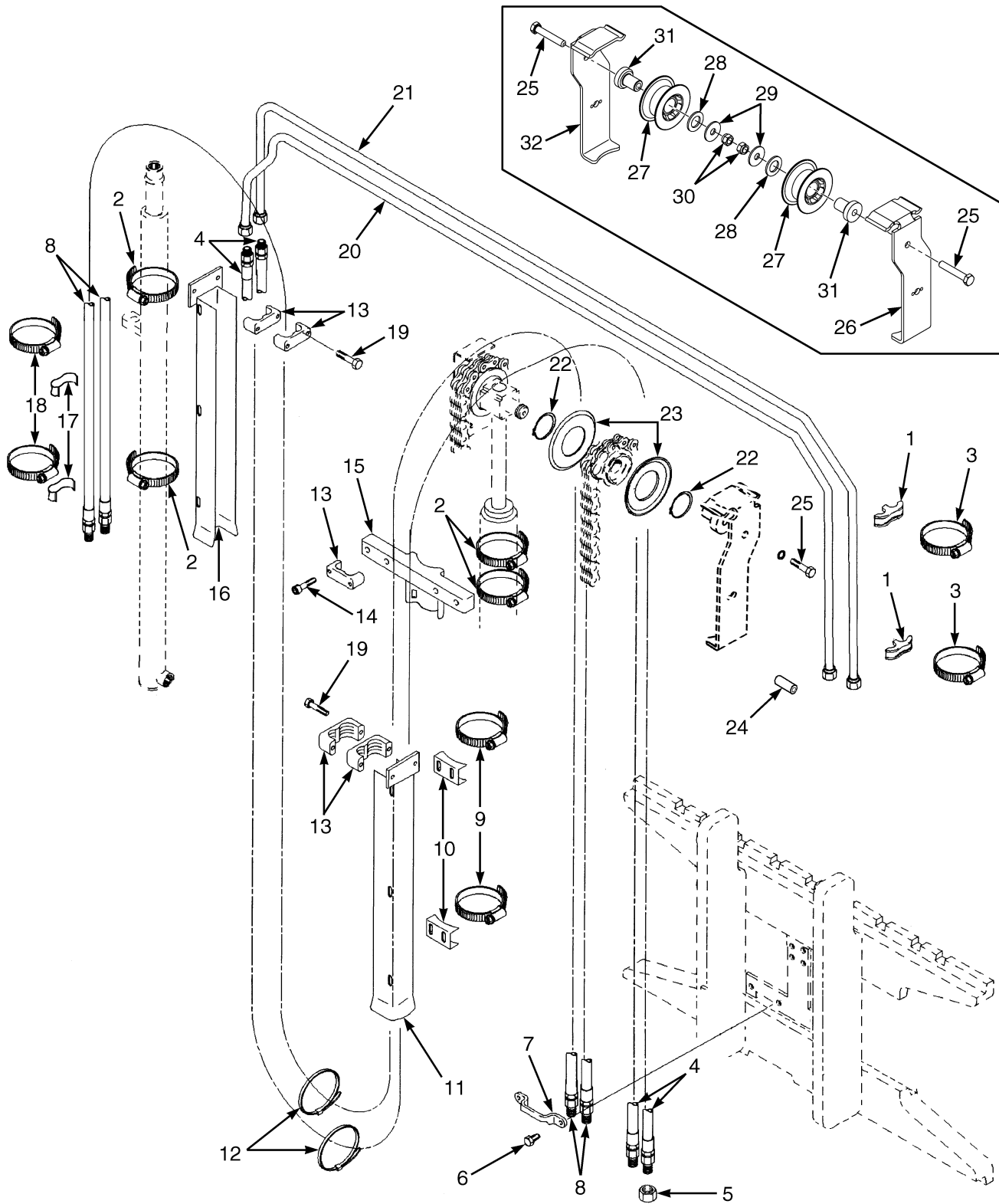
**FOOTNOTES:**

a Refer to Table





## HEADER HOSE AND ATTACHING PARTS (FIGURE 17-8) TWO STAGE FULL FREE-LIFT



BP170665

**HEADER HOSE AND ATTACHING PARTS  
TWO STAGE FULL FREE-LIFT**

**E509**

ITEM	DESCRIPTION 1 2 3 4	LIFT HEIGHT TO BOTTOM OF FORKS
		3262 mm (128.4 in.)
Mast Group Number		E509 3262
4	Hose Assy (To Side Shift)	2065211
8	Hose Assy (To Mast)	2065241
20	Tube Assy	2065030
21	Tube Assy	2065001

**E564**

ITEM	DESCRIPTION 1 2 3 4	LIFT HEIGHT TO BOTTOM OF FORKS
		3060 mm (120.5 in.)
Mast Group Number		E564 3060
4	Hose Assy (To Side Shift)	2065211
8	Hose Assy (To Mast)	2065241
20	Tube Assy	2065030
21	Tube Assy	2065001

**KEY:**

**A:** Three Function

**B:** Four Function

ITEM	PART NO.	DESCRIPTION	QTY	
			A	B
1	1606855	Spacer .....	2	2
2	1360507	Clamp .....	6	6
3	1617658	Clamp .....	2	2
4	<b>a</b> . . . . .	Hose Assy (To Side Shift) .....	2	2
5	1529015	Cap .....	2	4
6	1597448	Capscrew .....	2	4
7	4008020	Clamp .....	1	2
8	<b>a</b> . . . . .	Hose Assy (To Mast) .....	..	2
9	1360508	Clamp .....	2	2
10	1345423	Clamp .....	2	2
11	1481232	Hose Guard (RH) .....	1	1
12	137852	Strap Clamp .....	1	2
13	1360386	Clamp (Double Hose) .....	3	6
14	1581741	Capscrew .....	2	4
15	1354918	Bracket .....	1	1

## HEADER HOSE AND ATTACHING PARTS TWO STAGE FULL FREE-LIFT

**KEY:**  
**A:** Three Function  
**B:** Four Function

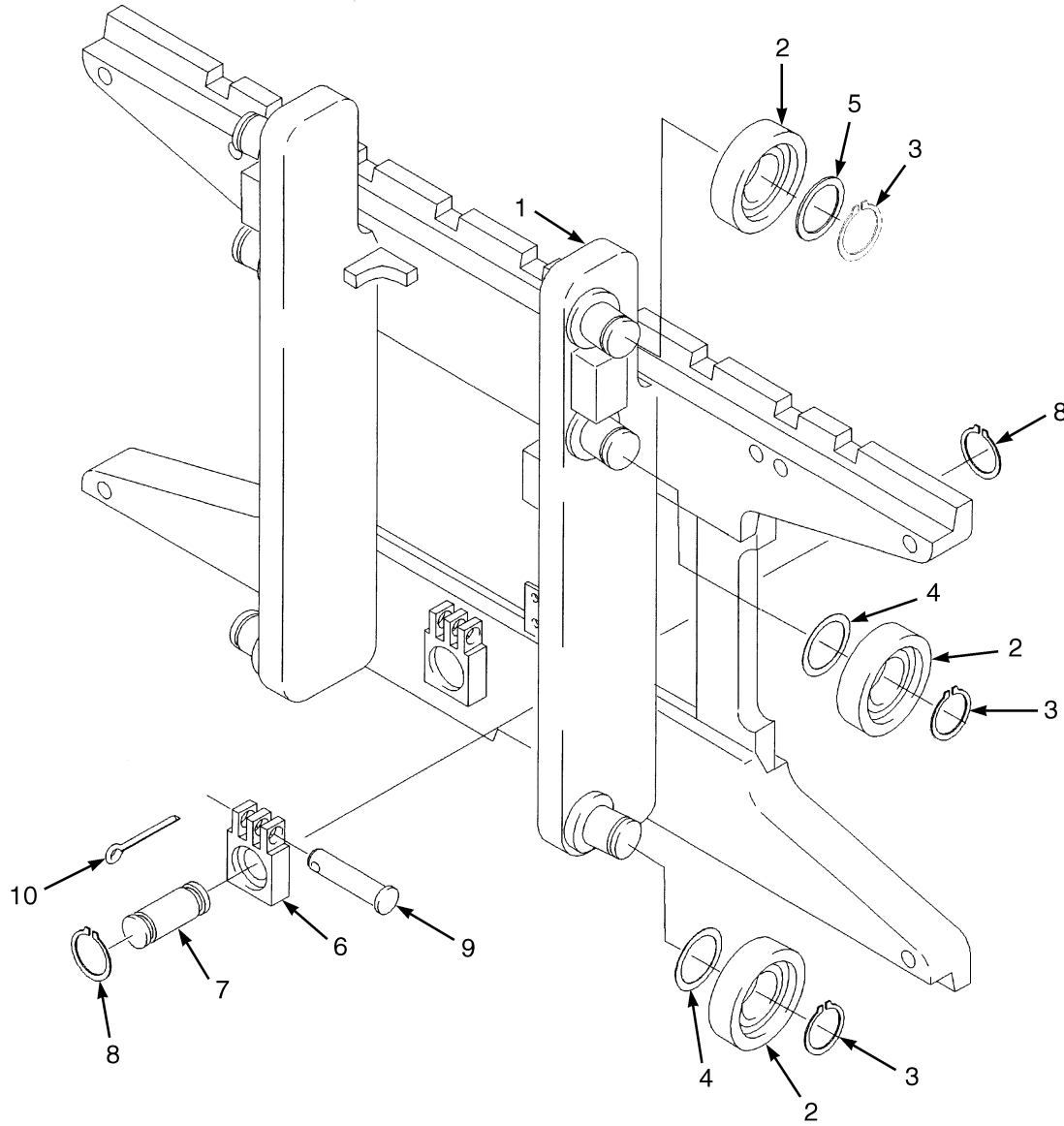
ITEM	PART NO.	DESCRIPTION	QTY	
			A	B
16	1365517	Hose Guard .....	1	1
17	1477996	Hose Clamp .....	..	2
18	1617657	Clamp .....	..	2
19	1581842	Capscrew .....	4	4
19	1581843	Capscrew .....	..	4
20	a . . . .	Tube Assy .....	1	1
21	a . . . .	Tube Assy .....	1	1
22	1345204	Snap Ring (Spiral Retaining Ring) .....	2	4
23	1345199	Hose Guide .....	2	4
24	302461	Roll Pin .....	2	4
25	1581830	Capscrew .....	1	2
26	1395292	Bracket (LH) .....	..	1
27	4041194	Hose Sheave .....	1	2
28	4064560	Spacer .....	1	2
29	1345190	Washer .....	1	2
30	1581849	Nut .....	1	2
31	1396406	Stubshaft .....	1	2
32	1395291	Bracket (RH) .....	1	1

**FOOTNOTES:**

a Refer to Table



## CARRIAGE (FIGURE 17-9) TWO STAGE FULL FREE-LIFT



HP290012

**CARRIAGE**  
**TWO STAGE FULL FREE-LIFT****KEY:****A: H2.0-2.5FT (E509)****B: H3.0-3.5FT (E564)**

ITEM	PART NO.	DESCRIPTION	QTY	
			A	B
	1343844	Carriage .....	1	..
	1477683	Carriage .....	..	1
1	1345239	Carriage Wldmt .....	1	..
1	1477932	Carriage Wldmt .....	..	1
1	1345264	Stubshaft .....	6	6
2	1345219	Load Roller ("B") (111.48/111.22) .....	6	6
3	12891	Snap Ring .....	6	6
4	1345263	Shim (0.508 mm) .....	AR	AR
5	366116	Spacer .....	2	2
6	1369345	Chain Anchor (Dual Hole) .....	2	..
6	1504010	Chain Anchor (Single Hole) (Optional) .....	2	..
6	1369344	Chain Anchor (Dual Hole) .....	..	2
6	1504012	Chain Anchor (Single Hole) (Optional) .....	..	2
7	317735	Pin .....	2	2
8	131358	Snap Ring .....	4	4
9	1514866	Pin .....	2	2
10	15211	Cotter Pin .....	2	2
	<b>a</b> 386422	Snap Ring .....	6	6

**FOOTNOTES:****a** Not Illustrated







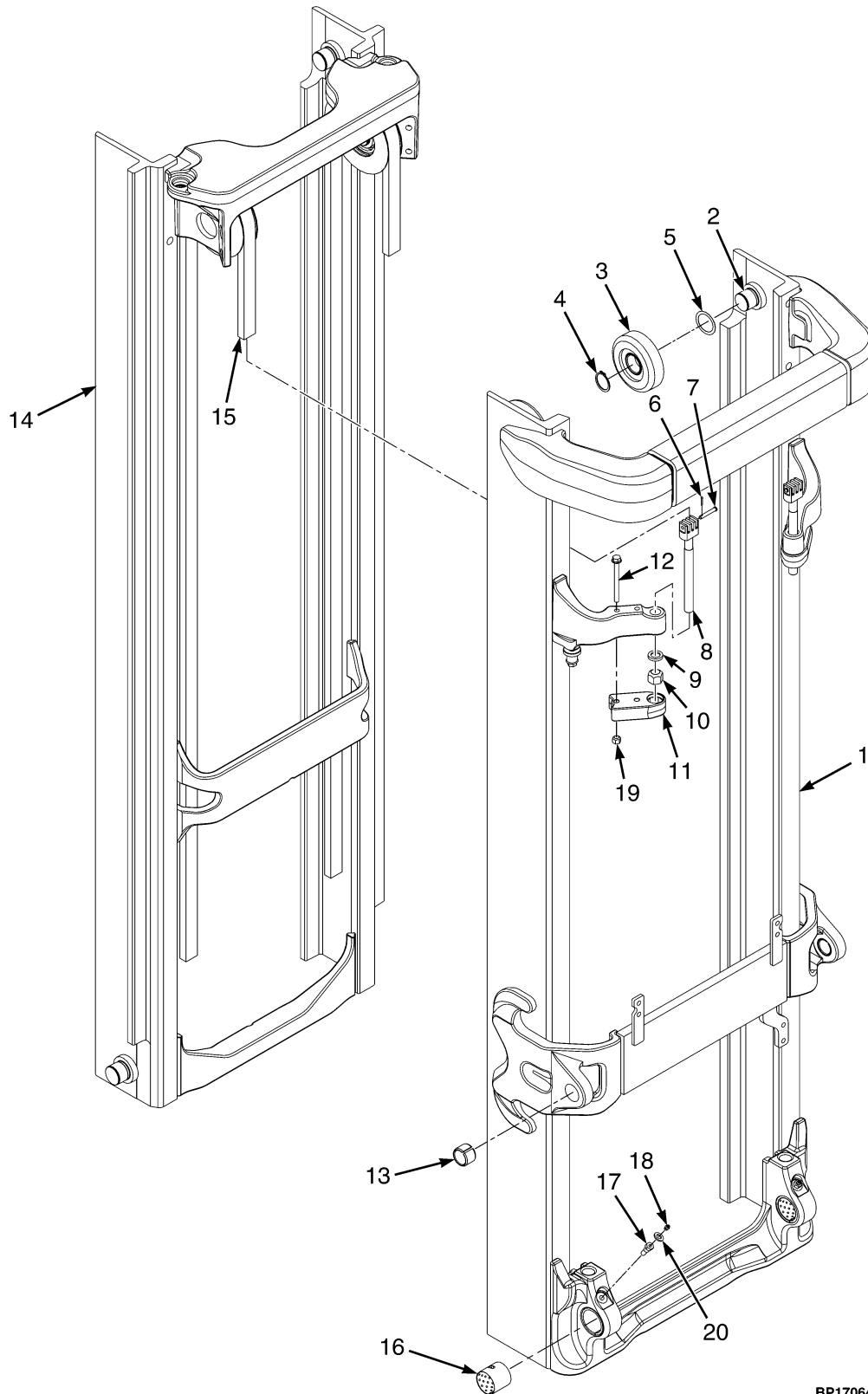


## SECTION 18

### MAST-THREE STAGE FULL FREE-LIFT

DESCRIPTION	PAGE
CARRIAGE	
THREE STAGE FULL FREE-LIFT .....	18-30
FREE-LIFT CYLINDER	
THREE STAGE FULL FREE-LIFT .....	18-22
FREE-LIFT CYLINDER AND ATTACHING PARTS	
THREE STAGE FULL FREE-LIFT .....	18-14
HEADER HOSES AND ATTACHING PARTS	
THREE STAGE FULL FREE-LIFT - THREE AND FOUR FUNCTION .....	18-26
INNER MAST	
THREE STAGE FULL FREE-LIFT .....	18-8
INTERMEDIATE MAST	
THREE STAGE FULL FREE-LIFT .....	18-6
MAIN LIFT CYLINDER	
THREE STAGE FULL FREE-LIFT .....	18-18
MAIN LIFT CYLINDER AND ATTACHING PARTS	
THREE STAGE FULL FREE-LIFT .....	18-10
OUTER MAST	
THREE STAGE FULL FREE LIFT .....	18-2

## OUTER MAST (FIGURE 18-1) THREE STAGE FULL FREE LIFT



BP170646

**OUTER MAST  
THREE STAGE FULL FREE LIFT**

**H2.0-2.5FT**

ITEM	DESCRIPTION 1 2 3 4	LIFT HEIGHT TO BOTTOM OF FORKS			
		4310 mm (169.7 in.)	4910 mm (193.3 in.)	5510 mm (216.9 in.)	5960 mm (234.6 in.)
		Mast Group Number	F508 4310	F508 4910	F508 5510
	Mast Assy	4623097	4623101	4623105	4623108
1	Outer Mast	4053744	4053747	4053752	4053755

**H3.0-3.5FT**

ITEM	DESCRIPTION 1 2 3 4	LIFT HEIGHT TO BOTTOM OF FORKS				
		3968 mm (156.2 in.)	4568 mm (179.8 in.)	4868 mm (191.7 in.)	5168 mm (203.5 in.)	5768 mm (227.1 in.)
		Mast Group Number	F563 3968	F563 4568	F563 4868	F563 5168
	Mast Assy	4623077	4623081	4623083	4623085	4623089
1	Outer Mast	4053744	4053747	4053750	4053752	4053756

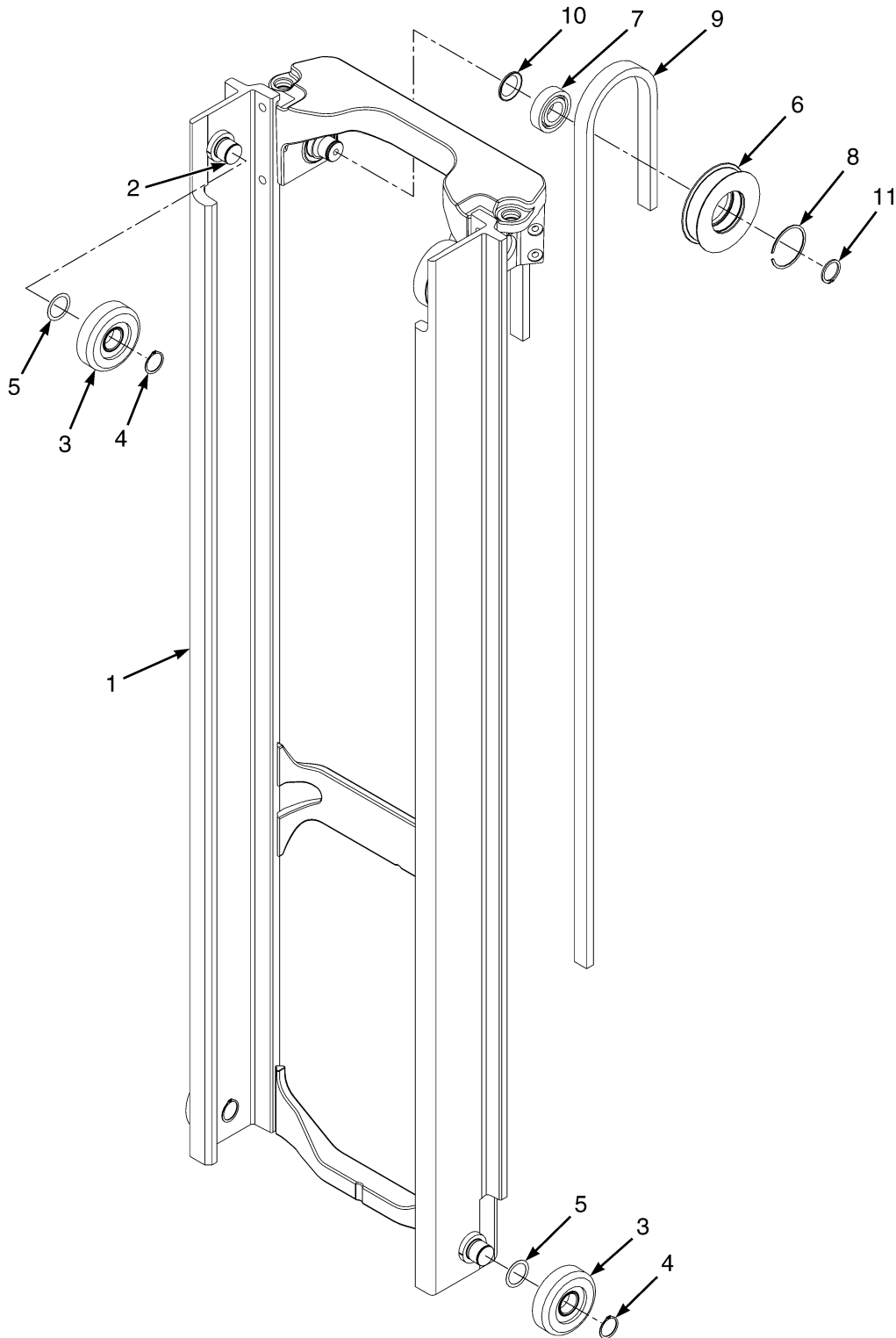
ITEM	PART NO.	DESCRIPTION	QTY
	a . . . . .	Mast Assy .....	1
1	a . . . . .	Outer Mast .....	1
2	1345216	Stubshaft .....	2
3	1333396	Load Roller ("B") (111.48/111.22) .....	2
3	1395168	Load Roller ("A") (111.10/110.84) (Optional) .....	2
4	58901	Snap Ring .....	2
4	1374797	Snap Ring (Optional) .....	2
5	129387	Shim (0.508 mm) .....	AR
6	15211	Cotter Pin .....	2
7	1514866	Pin .....	2
8	4072717	Chain Anchor (H2.0-2.5FT) .....	2
8	4072704	Chain Anchor (H3.0-3.5FT) .....	2
9	297649	Ring .....	2
10	4031973	Nut .....	2
11	4051079	Restraint .....	2
12	4082846	Capscrew .....	4
13	300982	Bushing .....	2
14	. . . . .	Intermediate Mast (☞Figure 18-2).....	1
15	. . . . .	Chain (☞Figure 18-2).....	2
16	4033414	Bushing .....	2
17	4033412	Capscrew .....	2
18	13957	Grease Fitting .....	2
18	16041	Grease Fitting (Optional) .....	2
19	1581566	Nut .....	4
20	1581557	Washer .....	2

**FOOTNOTES:**

- a Refer to Table



## INTERMEDIATE MAST (FIGURE 18-2) THREE STAGE FULL FREE-LIFT



BP170647



**INTERMEDIATE MAST  
THREE STAGE FULL FREE-LIFT**

**H2.0-2.5FT**

ITEM	DESCRIPTION 1 2 3 4	LIFT HEIGHT TO BOTTOM OF FORKS			
		4310 mm (169.7 in.)	4910 mm (193.3 in.)	5510 mm (216.9 in.)	5960 mm (234.6 in.)
		Mast Group Number	F508 4310	F508 4910	F508 5510
	Mast Assy	4623097	4623101	4623105	4623108
1	Intermediate Mast	4053806	4053809	4053813	4053816
9	Chain	88441	129361	180176	1342079

**H3.0-3.5FT**

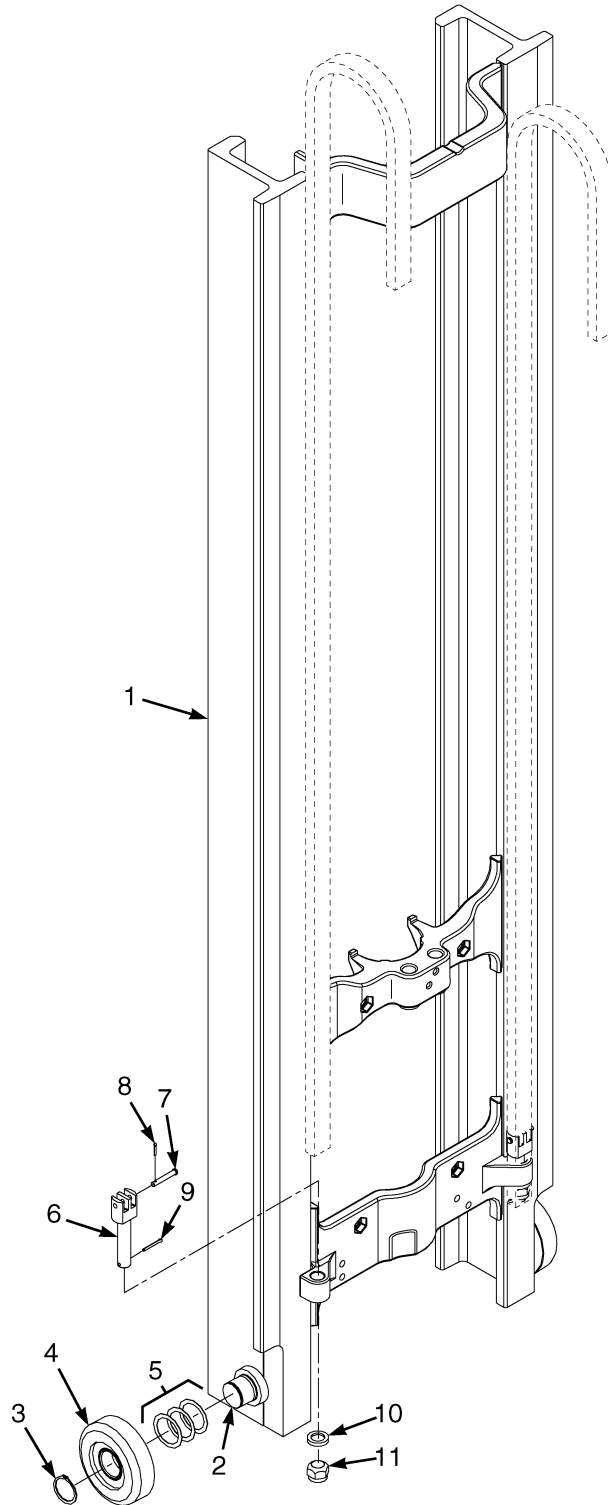
ITEM	DESCRIPTION 1 2 3 4	LIFT HEIGHT TO BOTTOM OF FORKS				
		3968 mm (156.2 in.)	4568 mm (179.8 in.)	4868 mm (191.7 in.)	5168 mm (203.5 in.)	5768 mm (227.1 in.)
		Mast Group Number	F563 3968	F563 4568	F563 4868	F563 5168
	Mast Assy	4623077	4623081	4623083	4623085	4623089
1	Intermediate Mast	4053806	4053809	4053811	4053813	4053817
9	Chain	1342382	1342384	1342129	1342387	1342134

ITEM	PART NO.	DESCRIPTION	QTY
	a . . . . .	Mast Assy .....	1
1	a . . . . .	Intermediate Mast .....	1
2	1345216	Stubshaft .....	4
3	1333396	Load Roller ("B") (111.48/111.22) .....	4
3	1395168	Load Roller ("A") (111.10/110.84) (Optional) .....	4
4	58901	Snap Ring .....	4
4	1374797	Snap Ring (Optional) .....	4
5	129387	Shim (0.508 mm) .....	AR
6	4054944	Chain Sheave Assembly (H2.0-2.5FT) .....	2
6	4048508	Chain Sheave Assembly (H3.0-3.5FT) .....	2
6	4054945	Chain Sheave (H2.0-2.5FT) .....	1
6	4046499	Chain Sheave (H3.0-3.5FT) .....	1
7	1378699	Ball Bearing .....	1
8	37752	Snap Ring .....	1
9	a . . . . .	Chain .....	2
10	335661	Spacer .....	2
11	304526	Snap Ring .....	2

**FOOTNOTES:**

a Refer to Table

## INNER MAST (FIGURE 18-3) THREE STAGE FULL FREE-LIFT



BP170648

**INNER MAST  
THREE STAGE FULL FREE-LIFT  
H2.0-2.5FT**

ITEM	DESCRIPTION 1 2 3 4	LIFT HEIGHT TO BOTTOM OF FORKS			
		4310 mm (169.7 in.)	4910 mm (193.3 in.)	5060 mm (199.2 in.)	5510 mm (216.9 in.)
		Mast Group Number	F508 4310	F508 4910	F508 5060
	Mast Assy	4623097	4623101	4623102	4623105
1	Inner Mast	4053838	4053841	4053842	4053845

**H3.0-3.5FT**

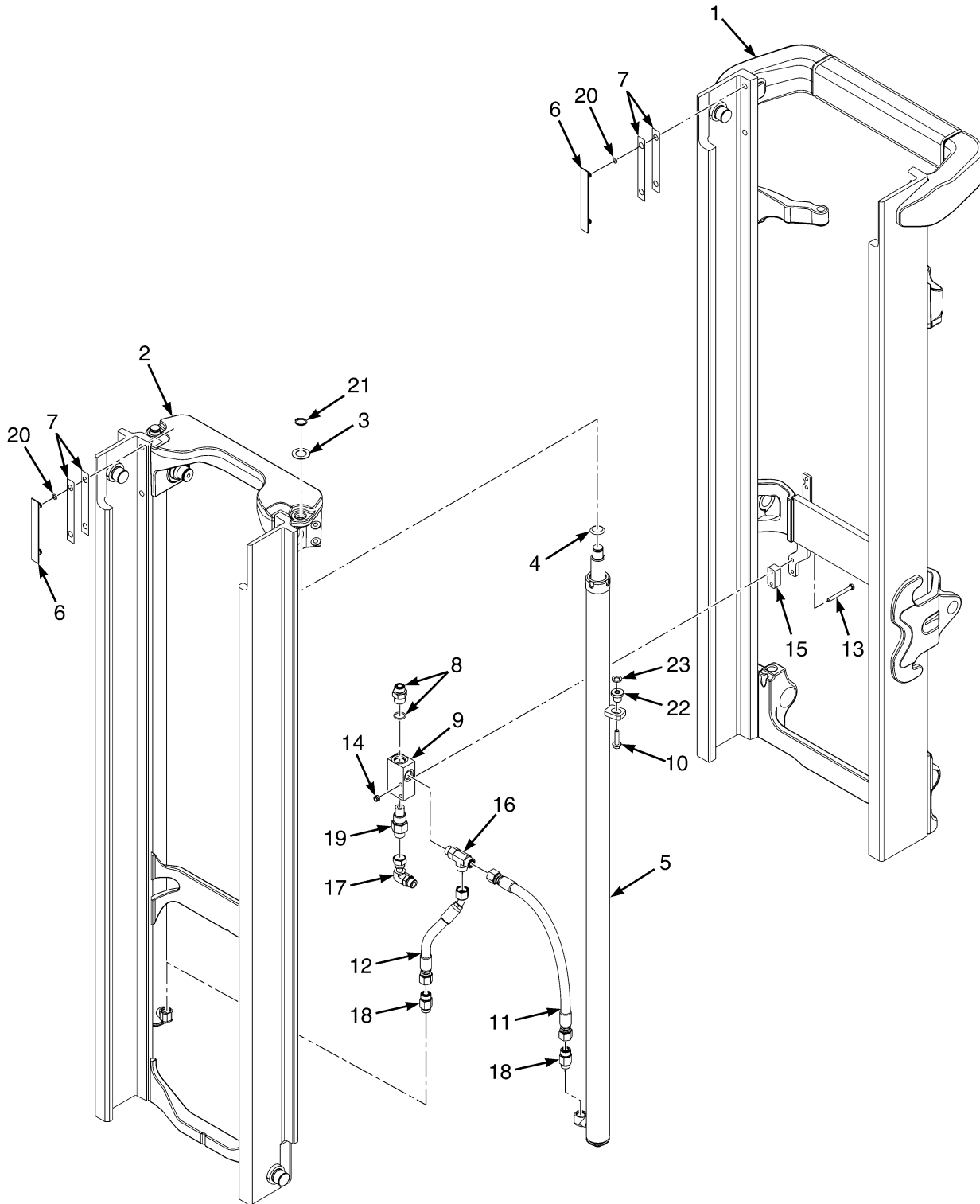
ITEM	DESCRIPTION 1 2 3 4	LIFT HEIGHT TO BOTTOM OF FORKS				
		3968 mm (156.2 in.)	4568 mm (179.8 in.)	4868 mm (191.7 in.)	5168 mm (203.5 in.)	5768 mm (227.1 in.)
		Mast Group Number	F563 3968	F563 4568	F563 4868	F563 5168
	Mast Assy	4623077	4623081	4623083	4623085	4623089
1	Inner Mast	4053838	4053841	4053843	4053845	4053849

ITEM	PART NO.	DESCRIPTION	QTY
	<b>a</b> . . . . .	Mast Assy .....	1
1	<b>a</b> . . . . .	Inner Mast .....	1
2	1345216	Stubshaft .....	2
3	58901	Snap Ring .....	2
3	1374797	Snap Ring (Optional) .....	2
4	1333396	Load Roller ("B") (111.48/111.22) .....	2
4	1395168	Load Roller ("A") (111.10/110.84) (Optional) .....	2
5	129387	Shim (0.508 mm) .....	AR
6	1365140	Chain Anchor (H2.0-2.5FT) .....	2
6	1333329	Chain Anchor (H3.0-3.5FT) .....	2
7	1514866	Pin .....	2
8	15211	Cotter Pin .....	2
9	15223	Cotter Pin .....	2
10	297649	Ring .....	2
11	161003	Nut .....	2

**FOOTNOTES:**

**a** Refer to Table

## MAIN LIFT CYLINDER AND ATTACHING PARTS (FIGURE 18-4) THREE STAGE FULL FREE-LIFT



BP170650

**MAIN LIFT CYLINDER AND ATTACHING PARTS  
THREE STAGE FULL FREE-LIFT**

**H2.0-2.5FT**

ITEM	DESCRIPTION 1 2 3 4	LIFT HEIGHT TO BOTTOM OF FORKS			
		4310 mm (169.7 in.)	4910 mm (193.3 in.)	5510 mm (216.9 in.)	5960 mm (234.6 in.)
		Mast Group Number	F508 4310	F508 4910	F508 5510
	Mast Assy	4623097	4623101	4623105	4623108

**H3.0-3.5FT**

ITEM	DESCRIPTION 1 2 3 4	LIFT HEIGHT TO BOTTOM OF FORKS				
		3968 mm (156.2 in.)	4568 mm (179.8 in.)	4868 mm (191.7 in.)	5168 mm (203.5 in.)	5768 mm (227.1 in.)
		Mast Group Number	F563 3968	F563 4568	F563 4868	F563 5168
	Mast Assy	4623077	4623081	4623083	4623085	4623089

ITEM	PART NO.	DESCRIPTION	QTY
	<b>a</b> . . . . .	Mast Assy .....	1
1	. . . . .	Outer Mast (☞Figure 18-1).....	1
2	. . . . .	Intermediate Mast (☞Figure 18-2).....	1
3	1333382	Washer (1.500 mm) .....	2
4	1354915	Washer (0.254 mm) .....	2
4	1354916	Washer (0.762 mm) .....	2
4	1354917	Washer (1.524 mm) .....	2
5	. . . . .	Main Lift Cylinder (☞Figure 18-6).....	2
6	215211	Wear Strip .....	4
7	131716	Shim (0.508 mm) .....	4
7	131715	Shim (0.178 mm) .....	4
8	1486751	Fitting .....	1
9	4055582	Housing (Lowering Control) .....	1
10	4029051	Capscrew .....	2
11	4620151	Hose Assy .....	1
12	4620152	Hose Assy .....	1
13	4065168	Capscrew .....	2
14	1581566	Nut .....	2
15	4065167	Spacer .....	1
16	1592853	Fitting .....	1
17	1486773	Fitting .....	1
18	2062686	Hyd Velocity Fuse (H2.0-2.5FT) .....	2
18	2062687	Hyd Velocity Fuse (H3.0-3.5FT) .....	2
18	16485	O-Ring .....	1
18	252729	O-Ring .....	1
19	2062651	Lowering Control Valve (H2.0-2.5FT) .....	1
19	2062652	Lowering Control Valve (H3.0-3.5FT) .....	1
19	16982	O-Ring .....	1
19	252729	O-Ring .....	1
20	104506	O-Ring .....	8

**MAIN LIFT CYLINDER AND ATTACHING PARTS  
THREE STAGE FULL FREE-LIFT**

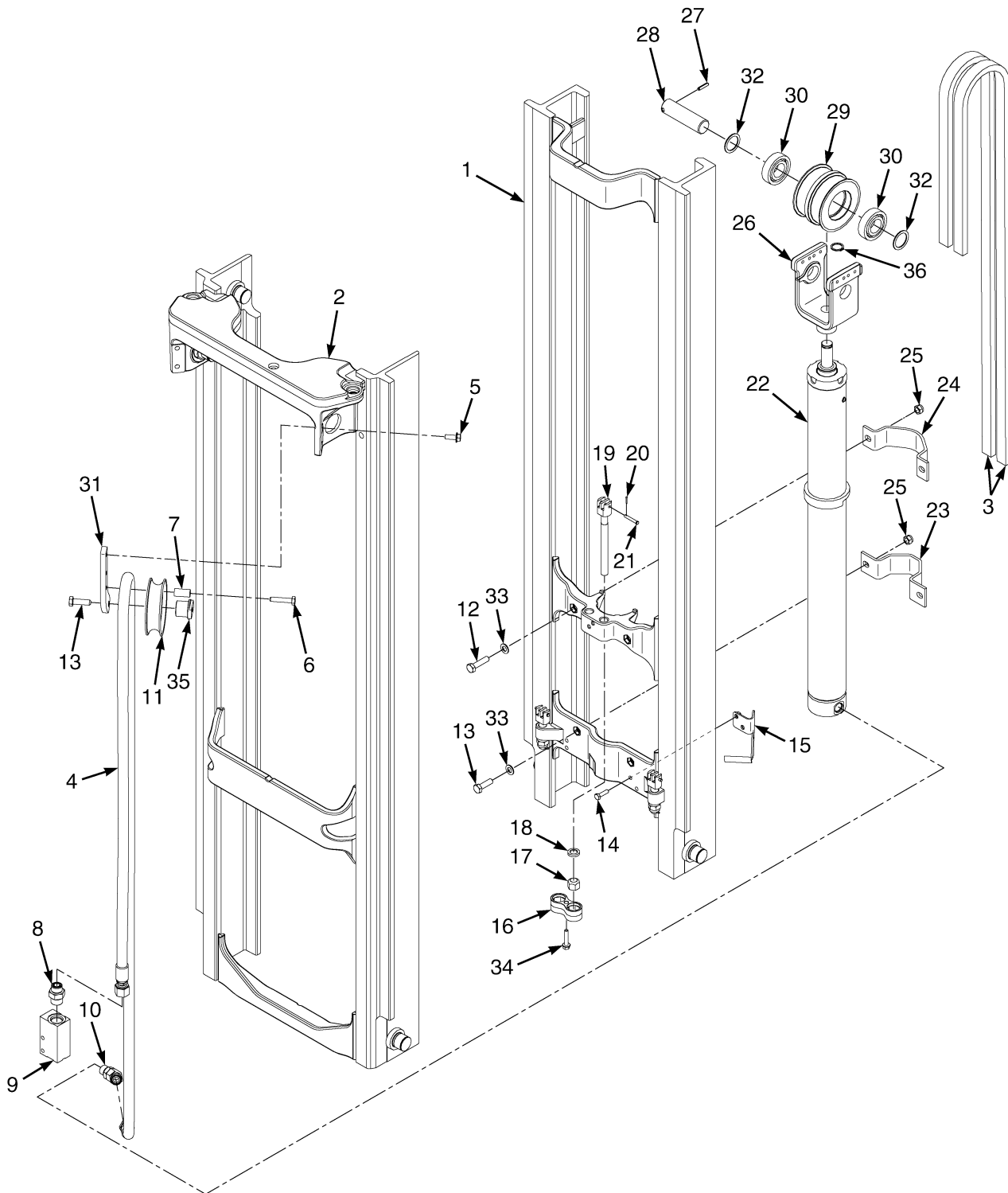
<b>ITEM</b>	<b>PART NO.</b>	<b>DESCRIPTION</b>	<b>QTY</b>
21	131358	Snap Ring .....	2
22	4054558	Isolator .....	2
23	1581557	Washer .....	4

**FOOTNOTES:**

- a Refer to Table



## FREE-LIFT CYLINDER AND ATTACHING PARTS (FIGURE 18-5) THREE STAGE FULL FREE-LIFT



BP170717



**FREE-LIFT CYLINDER AND ATTACHING PARTS  
THREE STAGE FULL FREE-LIFT**

**H2.0-2.5FT**

ITEM	DESCRIPTION 1 2 3 4	LIFT HEIGHT TO BOTTOM OF FORKS			
		4310 mm (169.7 in.)	4910 mm (193.3 in.)	5510 mm (216.9 in.)	5960 mm (234.6 in.)
		Mast Group Number	F508 4310	F508 4910	F508 5510
	Mast Assy	4623097	4623101	4623105	4623108
3	Chain	180217	986559	320076	180176
4	Hose Assy	4623611	4623614	4623618	4623621

**H3.0-3.5FT**

ITEM	DESCRIPTION 1 2 3 4	LIFT HEIGHT TO BOTTOM OF FORKS				
		3968 mm (156.2 in.)	4568 mm (179.8 in.)	4868 mm (191.7 in.)	5168 mm (203.5 in.)	5768 mm (227.1 in.)
		Mast Group Number	F563 3968	F563 4568	F563 4868	F563 5168
	Mast Assy	4623077	4623081	4623083	4623085	4623089
3	Chain	1342119	1342122	1342125	1342127	1342130
4	Hose Assy	4637732	4637735	4637737	4637739	4637743

ITEM	PART NO.	DESCRIPTION	QTY
	a . . . . .	Mast Assy .....	1
1	. . . . .	Inner Mast (☞ Figure 18-3).....	1
2	. . . . .	Intermediate Mast (☞ Figure 18-2).....	1
3	a . . . . .	Chain .....	2
4	a . . . . .	Hose Assy .....	1
5	4051501	Capscrew .....	2
6	1598660	Capscrew .....	1
7	1660415	Spacer (Thin Wall) .....	1
8	1486751	Fitting .....	1
9	4055582	Housing .....	1
10	1516205	Fitting .....	1
11	4048782	Hose Sheave .....	1
12	1581827	Capscrew .....	2
13	1581591	Capscrew .....	3
14	1696161	Capscrew .....	2
15	4051074	Bracket Wldmt .....	1
16	4052568	Restraint .....	1
17	4031973	Nut .....	2
18	297649	Ring .....	2
19	4072717	Chain Anchor (H2.0-2.5FT) .....	2
19	4072704	Chain Anchor (H3.0-3.5FT) .....	2
20	15211	Cotter Pin .....	2
21	1514866	Pin .....	2
22	. . . . .	Free-Lift Cylinder (☞ Figure 18-7).....	1
23	4057313	Clamp .....	1

**FREE-LIFT CYLINDER AND ATTACHING PARTS  
THREE STAGE FULL FREE-LIFT**

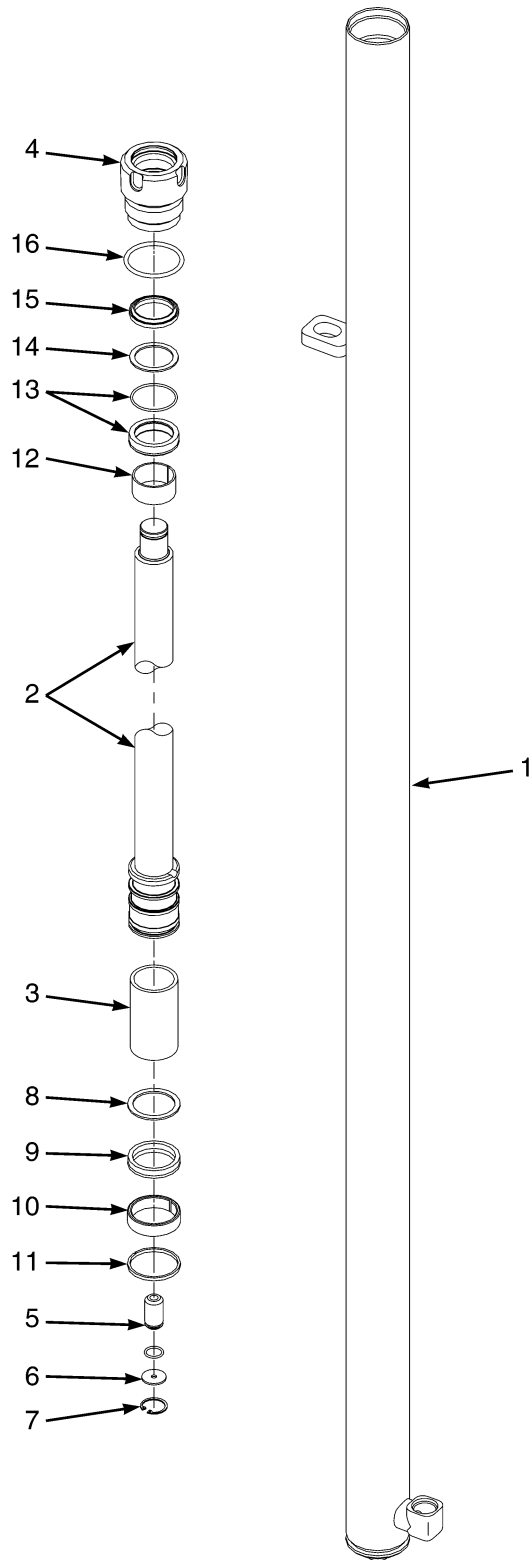
ITEM	PART NO.	DESCRIPTION	QTY
24	4057611	Clamp .....	1
25	1581849	Nut .....	4
26	4055072	Crosshead .....	1
27	302465	Roll Pin .....	1
28	4046548	Pin .....	1
29	4052261	Chain Sheave (Assembly) .....	1
29	4049031	Chain Sheave .....	1
30	1378699	Ball Bearing .....	2
31	4049173	Plate .....	1
32	1354902	Spacer .....	2
33	1581559	Washer .....	4
34	4069407	Capscrew .....	1
35	4013267	Stubshaft .....	1
36	131358	Snap Ring .....	1

**FOOTNOTES:**

- a Refer to Table



**MAIN LIFT CYLINDER (FIGURE 18-6)  
THREE STAGE FULL FREE-LIFT**



BP170651

**MAIN LIFT CYLINDER  
THREE STAGE FULL FREE-LIFT****H2.0-2.5FT**

ITEM	DESCRIPTION 1 2 3 4	LIFT HEIGHT TO BOTTOM OF FORKS			
		4310 mm (169.7 in.)	4910 mm (193.3 in.)	5510 mm (216.9 in.)	5960 mm (234.6 in.)
		Mast Group Number	F508 4310	F508 4910	F508 5510
	Cylinder Group Number	8607223	8607208	8607212	8607215
	Lift Cylinder	4630373	4615883	4615886	4615890
1	Tube Wldmt- Cylinder	4041105	4041108	4041112	4041115
2	Cylinder Rod	1355591	1355603	1355620	1355633
3	Spacer	1355610	----	1355610	1355626

**H3.0-3.5FT**

ITEM	DESCRIPTION 1 2 3 4	LIFT HEIGHT TO BOTTOM OF FORKS				
		3968 mm (156.2 in.)	4568 mm (179.8 in.)	4868 mm (191.7 in.)	5168 mm (203.5 in.)	5768 mm (227.1 in.)
		Mast Group Number	F563 3968	F563 4568	F563 4868	F563 5168
	Cylinder Group Number	8607324	8607308	8607310	8607312	8607316
	Lift Cylinder	4630381	4615905	4615907	4615909	4615913
1	Tube Wldmt- Cylinder	4041235	4041238	4041240	4041242	4041246
2	Cylinder Rod	1355733	1355745	1355710	1355758	1355775
3	Spacer	2073087	2046164	2073087	2073087	2077818

**KEY:****A: H2.0-2.5FT****B: H3.0-3.5FT**

ITEM	PART NO.	DESCRIPTION	QTY	
			A	B
	a . . . . .	Lift Cylinder .....	1	1
1	a . . . . .	Tube Wldmt-Cylinder .....	1	1
2	a . . . . .	Cylinder Rod .....	1	1
3	a . . . . .	Spacer .....	1	1
4	4615847	Gland (H2.0-2.5FT) .....	1	..
4	4615848	Gland (H3.0-3.5FT) .....	..	1
5	257913	Check Valve .....	1	1
6	297531	Washer .....	1	1
6	637635	Washer (Optional) .....	1	1
7	187388	Snap Ring .....	1	1
8	638246	Back-Up Ring .....	1	..

## MAIN LIFT CYLINDER THREE STAGE FULL FREE-LIFT

**KEY:**

**A:** H2.0-2.5FT

**B:** H3.0-3.5FT

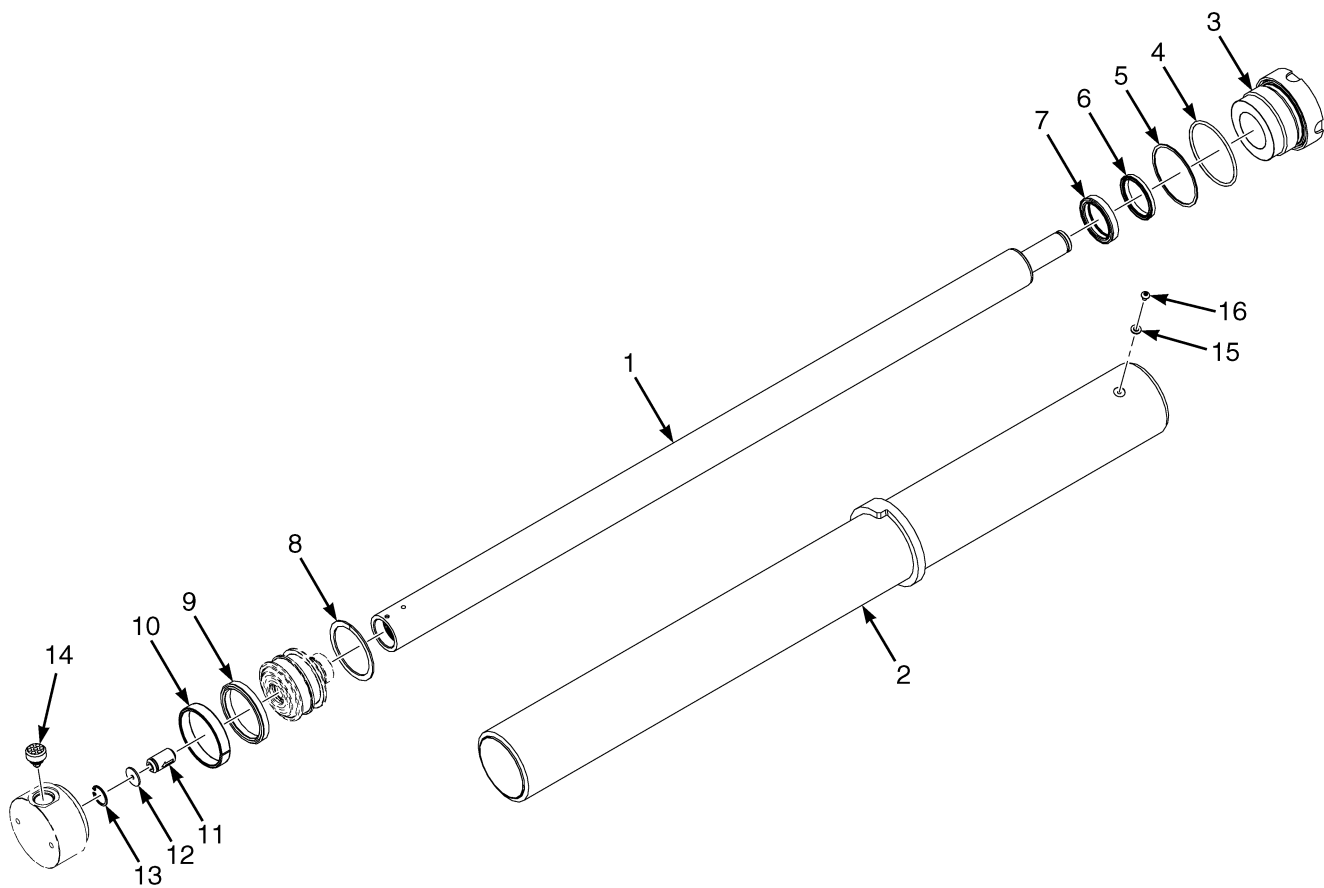
ITEM	PART NO.	DESCRIPTION	QTY	
			A	B
8	335012	Back-Up Ring .....	..	1
9	1381064	Piston Seal .....	1	..
9	1381063	Piston Seal .....	..	1
10	1356750	Wear Ring .....	1	..
10	1356751	Wear Ring .....	..	1
11	1360127	Piston Ring .....	1	..
11	1356748	Piston Ring .....	..	1
12	322902	Wear Ring .....	1	1
13	1356749	Rod Seal .....	1	1
14	322824	Back-Up Ring .....	1	1
15	1383063	Rod Wiper .....	1	1
16	92861	O-Ring .....	1	..
16	59229	O-Ring .....	..	1
	4623973	Kit-Seal .....	1	..
	4623974	Kit-Seal .....	..	1

**FOOTNOTES:**

**a** Refer to Table



## FREE-LIFT CYLINDER (FIGURE 18-7) THREE STAGE FULL FREE-LIFT



BP170652



**FREE-LIFT CYLINDER  
THREE STAGE FULL FREE-LIFT**

**H2.0-2.5FT**

ITEM	DESCRIPTION 1 2 3 4	LIFT HEIGHT TO BOTTOM OF FORKS			
		4310 mm (169.7 in.)	4910 mm (193.3 in.)	5510 mm (216.9 in.)	5960 mm (234.6 in.)
		Mast Group Number	F508 4310	F508 4910	F508 5510
	Cylinder Group Number	8607255	8607258	8607263	8607266
	Free Lift Cylinder	4617958	4617962	4617967	4617970
1	Cylinder Rod	4046235	4046238	4046243	4046246
2	Tube Wldmt- Cylinder	4046205	4046208	4046213	4046216

**H3.0-3.5FT**

ITEM	DESCRIPTION 1 2 3 4	LIFT HEIGHT TO BOTTOM OF FORKS				
		3968 mm (156.2 in.)	4568 mm (179.8 in.)	4868 mm (191.7 in.)	5168 mm (203.5 in.)	5768 mm (227.1 in.)
		Mast Group Number	F563 3968	F563 4568	F563 4868	F563 5168
	Cylinder Group Number	8607355	8607358	8607361	8607363	8607368
	Free Lift Cylinder	4618054	4618057	4618060	4618062	4618067
1	Cylinder Rod	4046305	4046308	4046311	4046313	4046318
2	Tube Wldmt- Cylinder	4046265	4046268	4046271	4046273	4046278

**KEY:**

**A: H2.0-2.5FT**

**B: H3.0-3.5FT**

ITEM	PART NO.	DESCRIPTION	QTY	
			A	B
	<b>b</b> . . . . .	Free Lift Cylinder .....	1	1
1	<b>b</b> . . . . .	Cylinder Rod .....	1	1
2	<b>b</b> . . . . .	Tube Wldmt-Cylinder .....	1	1
3	1356292	Gland .....	1	..
3	1356661	Gland .....	..	1
4	90263	O-Ring .....	1	..
4	15880	O-Ring .....	..	1
5	147973	Back-Up Ring .....	1	..
5	164840	Back-Up Ring .....	..	1
6	1463105	Rod Wiper .....	1	1
7	1622946	Rod Seal .....	1	1
8	2013089	Back-Up Ring .....	1	..
8	637565	Back-Up Ring .....	..	1

## FREE-LIFT CYLINDER THREE STAGE FULL FREE-LIFT

**KEY:**

**A:** H2.0-2.5FT

**B:** H3.0-3.5FT

ITEM	PART NO.	DESCRIPTION	QTY	
			A	B
9	2013088	Rod Seal .....	1	..
9	309062	Rod Seal .....	..	1
10	1358972	Wear Ring .....	1	..
10	636941	Wear Ring .....	..	1
11	297538	Check Valve .....	1	1
12	297531	Washer .....	1	1
12	637635	Washer (Optional) .....	1	1
13	187388	Snap Ring .....	1	1
14	4055505	Flow Valve .....	1	..
14	4055506	Flow Valve .....	..	1
15	190887	Sealing Ring .....	1	1
16	1361302	Screw .....	1	1
	<b>a</b> 190580	O-Ring .....	1	1
	1358969	Kit-Seal .....	1	..
	1356662	Kit-Seal .....	..	1

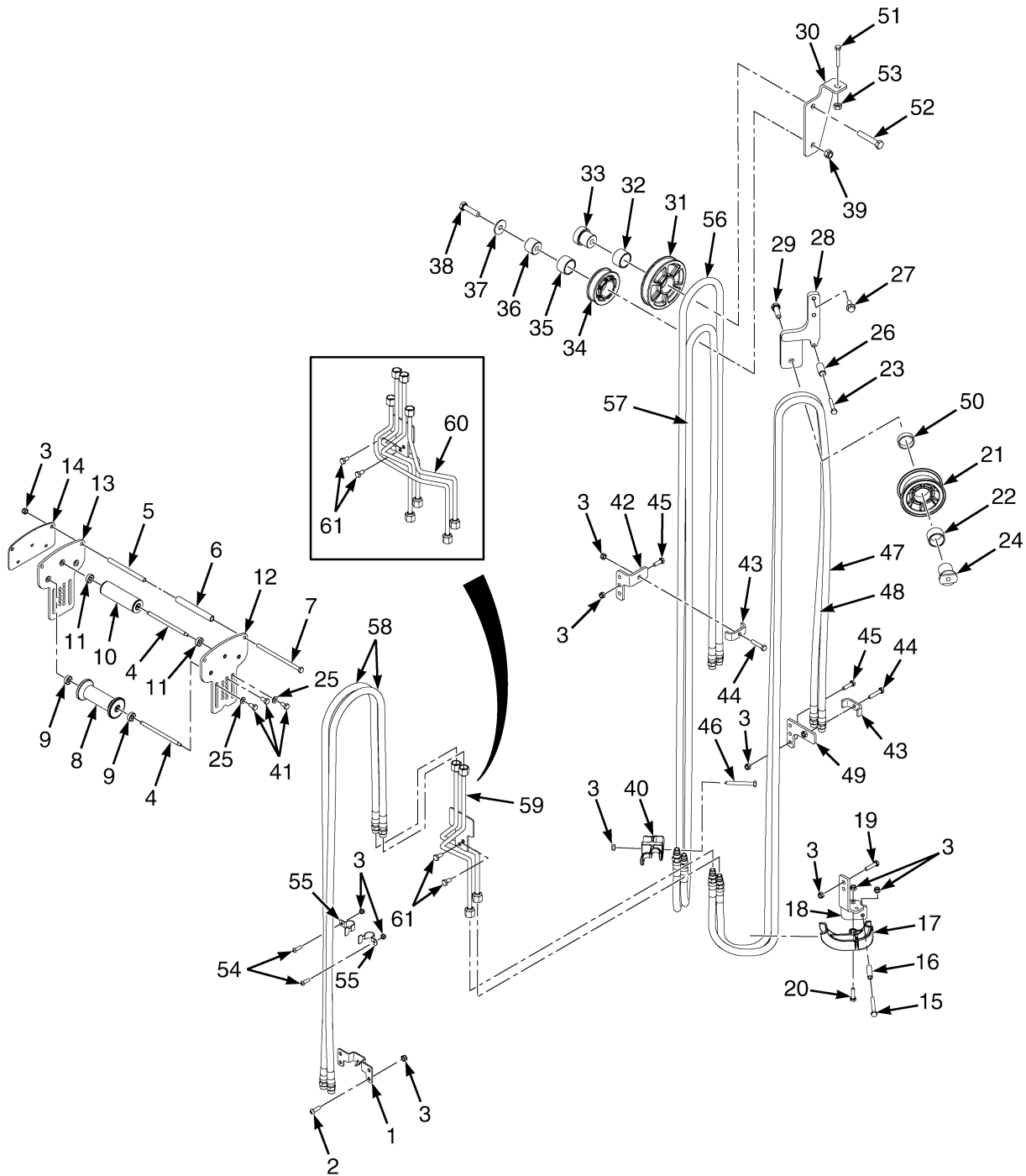
**FOOTNOTES:**

**a** Not Illustrated

**b** Refer to Table



## HEADER HOSES AND ATTACHING PARTS (FIGURE 18-8) THREE STAGE FULL FREE-LIFT — THREE AND FOUR FUNCTION



BP170718

**HEADER HOSES AND ATTACHING PARTS  
THREE STAGE FULL FREE-LIFT – THREE AND FOUR FUNCTION**

**H2.0-2.5FT**

ITEM	DESCRIPTION 1 2 3 4	LIFT HEIGHT TO BOTTOM OF FORKS			
		4310 mm (169.7 in.)	4910 mm (193.3 in.)	5510 mm (216.9 in.)	5960 mm (234.6 in.)
		Mast Group Number F508 4310	F508 4910	F508 5510	F508 5960
47	Header Hose	4624113	4624116	4624120	4624123
48	Header Hose	4624173	4624176	4624180	4624183
56	Header Hose	4624133	4624136	4624140	4624143
57	Header Hose	4624153	4624156	4624100	4624163
58	Header Hose	4624213	4624216	4624100	4624103

**H3.0-3.5FT**

ITEM	DESCRIPTION 1 2 3 4	LIFT HEIGHT TO BOTTOM OF FORKS				
		3968 mm (156.2 in.)	4568 mm (179.8 in.)	4868 mm (191.7 in.)	5168 mm (203.5 in.)	5768 mm (227.1 in.)
		Mast Group Number F563 3968	F563 4568	F563 4868	F563 5168	F563 5768
47	Header Hose	4624113	4624116	4624118	4624120	4624124
48	Header Hose	4624173	4624176	4624178	4624180	4624184
56	Header Hose	4624133	4624136	4624138	4624140	4624144
57	Header Hose	4624153	4624156	4624158	4624160	4624164
58	Header Hose	4624213	4624216	4624218	4624100	4624104

**KEY:**

**A:** Three Function

**B:** Four Function

ITEM	PART NO.	DESCRIPTION	QTY	
			A	B
1	4055683	Hose Clamp .....	1	1
2	1597448	Capscrew .....	2	2
3	1581566	Nut .....	10	15
4	4049213	Rod .....	3	3
5	4056718	Roller Spacer .....	2	2
6	4049218	Roller Shaft .....	2	2
7	4061309	Capscrew .....	2	2
8	4055608	Roller (Side Assy) .....	2	2
9	4032665	Ball Bearing .....	2	2
10	4055800	Roller (Center Assy) .....	1	1
11	4032665	Ball Bearing .....	2	2
12	4056125	Plate (LH) .....	1	1
13	4056126	Plate (RH) .....	1	1
14	4051460	Plate .....	1	1
15	1581584	Capscrew .....	1	1

## HEADER HOSES AND ATTACHING PARTS THREE STAGE FULL FREE-LIFT – THREE AND FOUR FUNCTION

**KEY:**  
**A:** Three Function  
**B:** Four Function

ITEM	PART NO.	DESCRIPTION	QTY	
			A	B
16	4104561	Spacer (Thin Wall) .....	1	1
17	4622150	Turnaround .....	1	1
18	4104560	Bracket .....	1	1
19	1596420	Capscrew .....	2	2
20	1696161	Capscrew .....	3	3
21	4048781	Hose Sheave .....	1	1
22	4050091	Bushing .....	1	1
23	1581583	Capscrew .....	1	1
24	4013268	Stubshaft .....	1	1
25	4081768	Washer .....	4	4
26	4013273	Spacer (Thin Wall) .....	1	1
27	4051501	Capscrew .....	2	2
28	4051290	Bracket Wldmt .....	1	1
29	1581591	Capscrew .....	1	1
30	4049172	Bracket .....	..	1
31	4048784	Hose Sheave .....	..	1
32	4050091	Bushing .....	..	1
33	4051885	Stubshaft .....	..	1
34	4048783	Hose Sheave .....	..	1
35	4050091	Bushing .....	..	1
36	4048778	Stubshaft .....	..	1
37	1345190	Washer .....	..	1
38	1581827	Capscrew .....	..	1
39	1581849	Nut .....	..	1
40	4057777	Bracket .....	..	1
41	1581580	Capscrew .....	6	6
42	4086521	Plate Wldmt .....	..	1
43	1345348	Clamp .....	1	2
44	292508	Capscrew .....	1	2
45	1696161	Capscrew .....	2	4
46	4016370	Capscrew .....	..	1
47	<b>c</b> . . . . .	Header Hose .....	1	1
48	<b>c</b> . . . . .	Header Hose .....	1	1
49	4093654	Plate Wldmt .....	1	1
50	4051293	Spacer .....	1	1
51	1626461	Capscrew .....	..	1
51	4101577	Capscrew (Optional) .....	..	1
52	1581830	Capscrew .....	..	1
53	1581567	Nut .....	..	1
54	1597448	Capscrew .....	..	2
55	4082001	Clamp .....	..	2
56	<b>c</b> . . . . .	Header Hose .....	..	1
57	<b>c</b> . . . . .	Header Hose .....	..	1
58	<b>c</b> . . . . .	Header Hose .....	2	4
59	<b>a</b> 4084720	Tube Assembly .....	1	..

**HEADER HOSES AND ATTACHING PARTS**  
**THREE STAGE FULL FREE-LIFT – THREE AND FOUR FUNCTION**

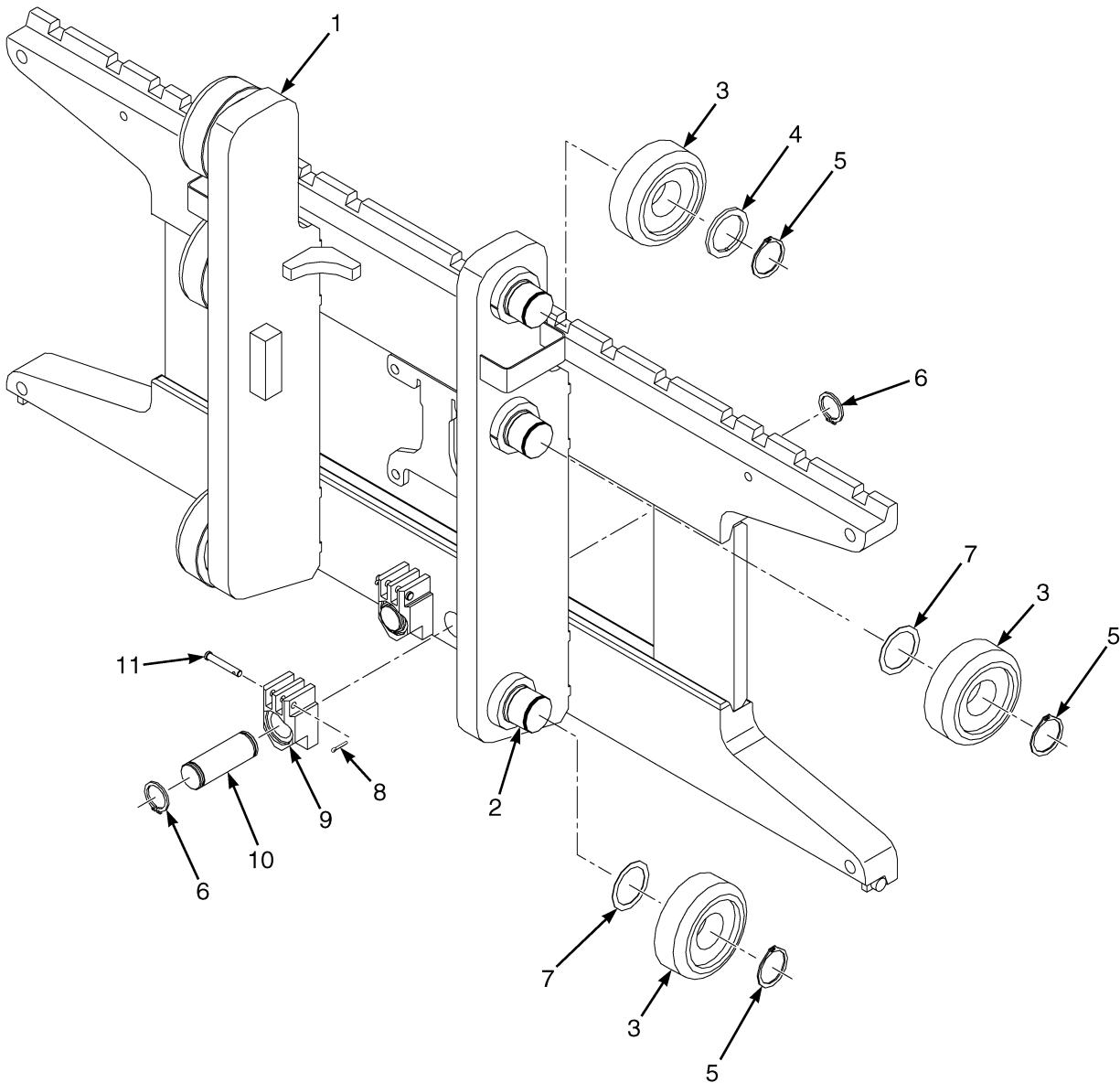
**KEY:****A: Three Function****B: Four Function**

ITEM	PART NO.	DESCRIPTION	QTY	
			A	B
59	<b>b</b> 4084721	Tube Assembly .....	1	..
60	<b>b</b> 4084722	Tube Assembly .....	..	1
60	<b>a</b> 4084719	Tube Assembly .....	..	1
61	1581579	Capscrew .....	2	2

**FOOTNOTES:**

- a** For Lift heights 6110/5768 mm (240.5/227.0 in.) and below.
- b** For Lift heights 6260/5918 mm (246.4/233.0 in.) and above.
- c** Refer to Table

## CARRIAGE (FIGURE 18-9) THREE STAGE FULL FREE-LIFT



BP170680



**CARRIAGE  
THREE STAGE FULL FREE-LIFT****KEY:****A: H2.0-2.50FT****B: H3.0-3.50FT**

ITEM	PART NO.	DESCRIPTION	QTY	
			A	B
	4621631	Carriage Assembly (1067 mm) .....	1	..
	4621637	Carriage Assembly (1067 mm) .....	..	1
1	4055430	Carriage Wldmt (1067 mm) .....	1	..
1	4055473	Carriage Wldmt (1067 mm) .....	..	1
2	1345216	Stubshaft .....	6	6
3	1333399	Load Roller ("B") (92.18 mm/91.92 mm) .....	6	6
3	1393142	Load Roller ("B") (82.18 mm) (Optional) .....	6	6
3	1395174	Load Roller ("A") (81.80 mm) (Optional) .....	6	6
3	1395176	Load Roller ("A") (82.00 mm) (Optional) .....	6	6
4	366115	Spacer .....	2	2
5	58901	Snap Ring .....	6	6
5	<b>a</b> 1374797	Snap Ring (Optional) .....	6	6
6	131358	Snap Ring .....	4	4
7	129387	Shim (0.508 mm) .....	AR	AR
8	1514866	Pin (Chain Anchor) .....	2	2
9	1369345	Chain Anchor (Dual Hole) .....	2	..
9	1504010	Chain Anchor (Single Hole) (Optional) .....	2	..
9	1369344	Chain Anchor (Dual Hole) .....	..	2
9	1504012	Chain Anchor (Single Hole) (Optional) .....	..	2
10	317735	Pin .....	2	2
11	15211	Cotter Pin .....	2	2

**FOOTNOTES:****a** Not Illustrated



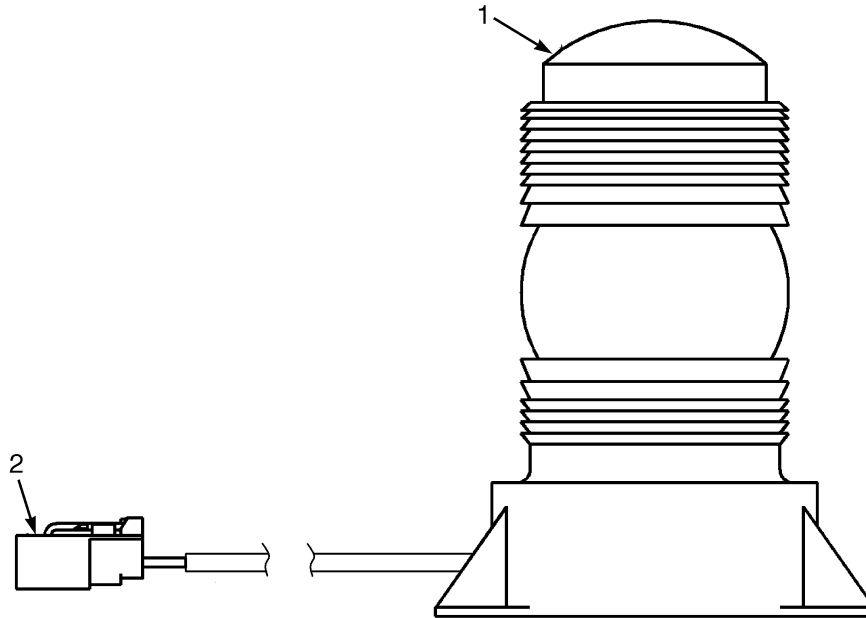




**SECTION 19  
OPTIONS**

<b>DESCRIPTION</b>	<b>PAGE</b>
ACCUMULATOR AND ATTACHING PARTS .....	19-12
AUXILIARY QUICK DISCONNECT MANIFOLD AND HOSES	
THREE STAGE FULL FREE-LIFT (DUAL AUXILIARY WITH E-HYDRAULICS - THREE AND FOUR FUNCTION .....	19-32
THREE STAGE FULL FREE-LIFT (SINGLE AUXILIARY WITH E-HYDRAULICS - THREE FUNCTION .....	19-28
THREE STAGE FULL FREE-LIFT (SINGLE AUXILIARY WITH INTEGRAL SIDE-SHIFT AND E- HYDRAULICS) - FOUR FUNCTION .....	19-30
TWO STAGE LIMITED FREE-LIFT (DUAL AUXILIARY WITH E-HYDRAULICS) - THREE AND FOUR FUNCTION .....	19-26
TWO STAGE LIMITED FREE-LIFT (SINGLE AUXILIARY WITH E-HYDRAULICS) - THREE FUNCTION .....	19-22
TWO STAGE LIMITED FREE-LIFT (SINGLE AUXILIARY WITH INTEGRAL SIDE-SHIFT AND E- HYDRAULICS) - FOUR FUNCTION .....	19-24
AUXILIARY TUBES	
THREE STAGE FULL FREE-LIFT - MANUAL AND E-HYDRAULICS VALVE WITH QUICK DISCONNECT .....	19-18
THREE STAGE FULL FREE-LIFT - MANUAL AND E-HYDRAULICS VALVE WITHOUT QUICK DISCONNECT .....	19-20
TWO STAGE LIMITED FREE LIFT - WITH MANUAL AND E-HYDRAULICS VALVE WITHOUT QUICK DISCONNECT .....	19-14
TWO STAGE LIMITED FREE LIFT - MANUAL AND E-HYDRAULIC VALVE WITH QUICK DISCONNECT .....	19-16
BACK-UP ALARM .....	19-6
FIRE EXTINGUISHER .....	19-8
FORK POSITIONER ASSEMBLY .....	19-50
INTEGRAL SIDE-SHIFT	
FORK POSITIONER - TWO STAGE LIMITED FREE-LIFT .....	19-46
FORK POSITIONER - THREE STAGE FULL FREE-LIFT .....	19-48
INTEGRAL SIDE-SHIFT CARRIAGE	
THREE STAGE FULL FREE-LIFT .....	19-36
TWO STAGE FULL FREE-LIFT .....	19-38
TWO STAGE LIMITED FREE-LIFT .....	19-34
INTEGRAL SIDE-SHIFT CYLINDER .....	19-44
INTEGRAL SIDE-SHIFT HYDRAULIC HOSES	
THREE STAGE FULL FREE LIFT .....	19-41
TWO STAGE FULL FREE- LIFT .....	19-42
TWO STAGE LIMITED FREE-LIFT .....	19-40
LIFTING EYE .....	19-4
MIRRORS	
WITH CAB .....	19-9
WITH OVERHEAD GUARD .....	19-10
STROBE LIGHT	
LED .....	19-2

**STROBE LIGHT (FIGURE 19-1)  
LED**

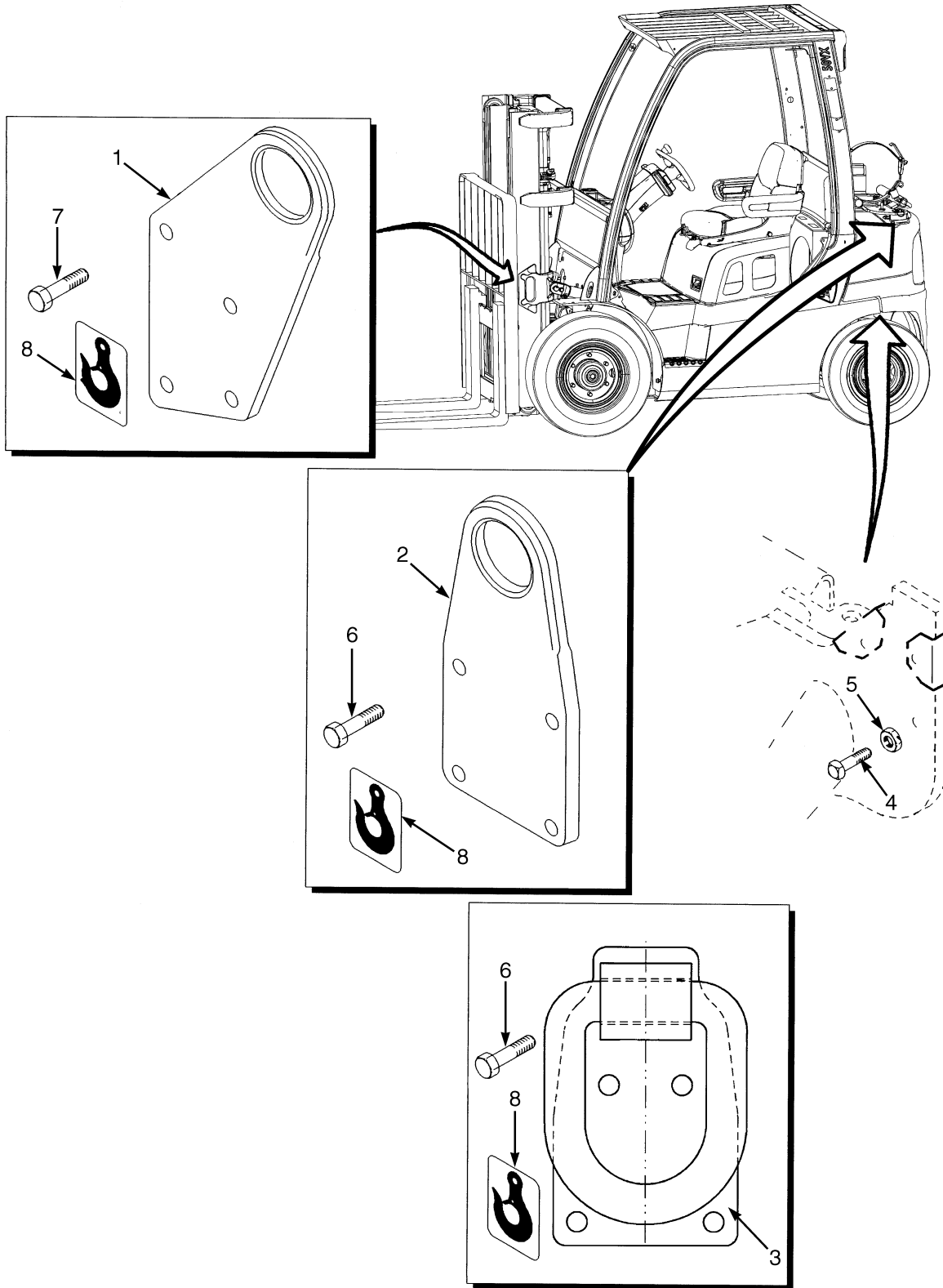


BP000363

ITEM	PART NO.	DESCRIPTION	QTY
	1654013	Strobe Light Assembly .....	1
1	1652290	Strobe Light (Amber LED) .....	1
2	1463138	Terminal Pin .....	2
2	1561559	Connector (2 Pin) .....	1
2	1561755	Connector (Secondary Lock) .....	1



## LIFTING EYE (FIGURE 19-2)



BP000673

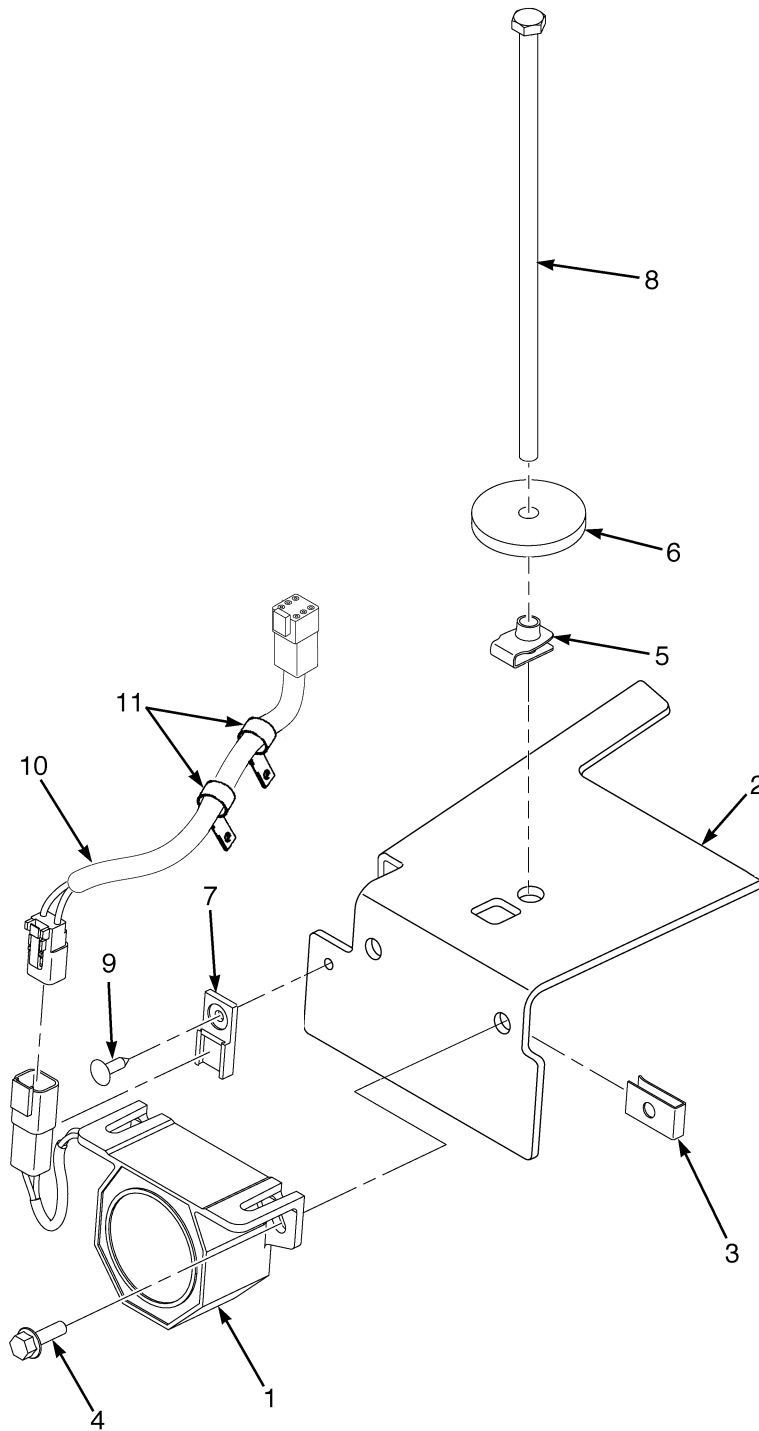


**LIFTING EYE**

ITEM	PART NO.	DESCRIPTION	QTY
	1602394	Kit-Lifting Eye (LPG) .....	1
	1602395	Kit-Lifting Eye (Diesel or Gasoline Fuel) .....	1
1	1356400	Lifting Eye (Front) .....	2
2	<b>a</b> 1356401	Lifting Eye (Rear) .....	2
3	<b>b</b> 1566849	Lifting Eye Assembly (Rear) .....	2
3	1329850	Clip .....	1
3	1329851	Ring .....	1
3	<b>b</b> 1625462	Lifting Eye .....	1
4	302323	Screw .....	2
5	296130	Nut .....	2
6	1566853	Capscrew .....	8
7	1586790	Capscrew .....	8
8	316448	Label (Lifting Eye) .....	4

**FOOTNOTES:****a** Diesel Only**b** LPG Only

## BACK-UP ALARM (FIGURE 19-3)

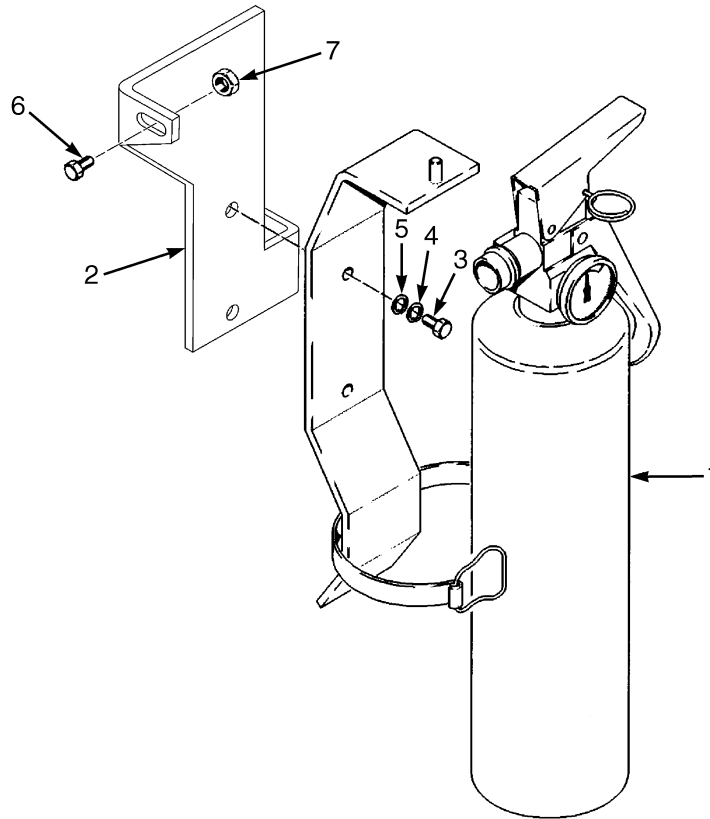


HP000897

**BACK-UP ALARM**

ITEM	PART NO.	DESCRIPTION	QTY
1	2064929	Back-Up Alarm (82-102 dbA) .....	1
2	1589195	Bracket .....	1
3	1350215	Nut .....	2
4	1527877	Capscrew .....	2
5	1480237	Nut .....	1
6	1547756	Washer .....	1
7	1500912	Clip .....	1
8	1543982	Capscrew .....	1
9	1582464	Fastener .....	1
10	2078883	Wire Harness (Back-Up Alarm) (To RH Chassis) (2-Pin Connector) .....	1
10	1402923	Connector .....	1
10	1330417	Connector .....	1
10	1490242	Connector (2 Way) .....	1
10	1490243	Connector .....	1
10	1330437	Terminal (Pin) .....	2
10	1330438	Terminal (Socket) .....	2
10	1330439	Plug .....	4
10	2070771	Wire Harness (Back-Up Alarm) (To RH Chassis) (6-Pin Connector) .....	1
10	1493465	Connector (2 Pin) .....	1
10	1330414	Connector (Secondary Lock) .....	1
10	1490242	Connector (2 Way) .....	1
10	1490243	Connector .....	1
10	1330437	Terminal (Pin) .....	2
10	1330438	Terminal (Socket) .....	2
11	1509888	Clip .....	2

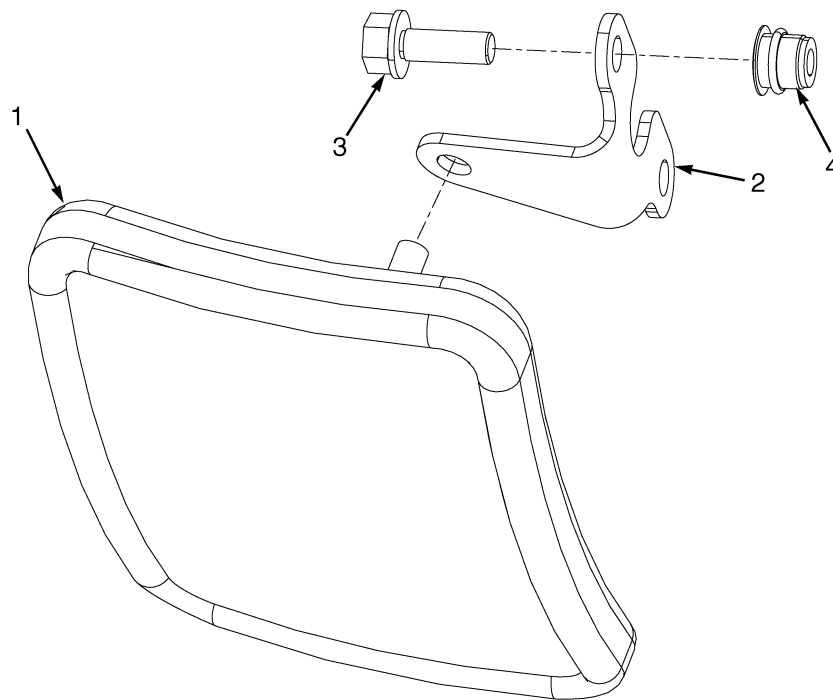
## FIRE EXTINGUISHER (FIGURE 19-4)



BP000252

ITEM	PART NO.	DESCRIPTION	QTY
1	146540	Fire Extinguisher Assembly .....	1
1	1561749	Bracket .....	1
2	1582141	Bracket .....	1
3	296507	Screw .....	2
4	292679	Washer .....	2
5	320155	Washer .....	2
6	1583611	Capscrew .....	1
7	1502543	Nut (Flange) .....	1

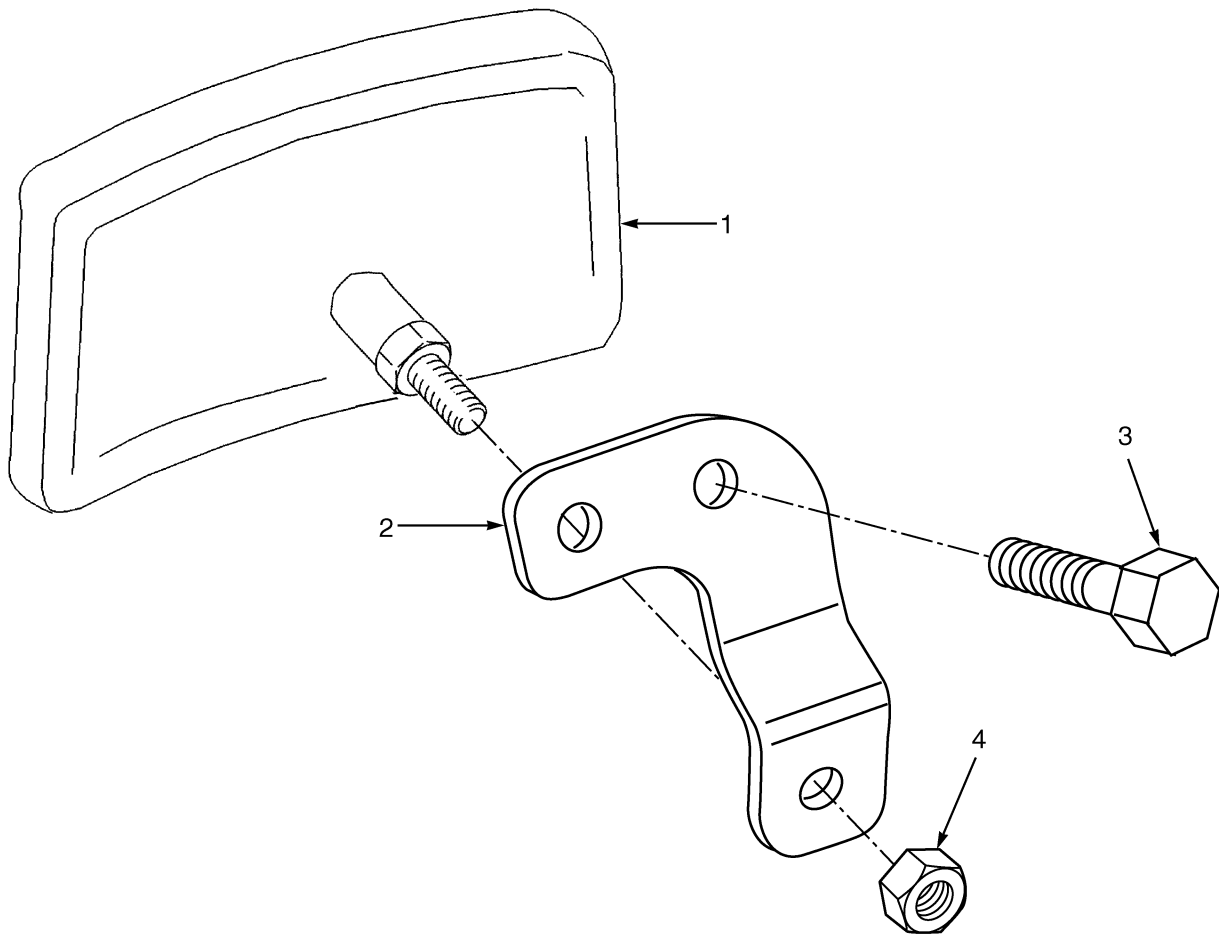
**MIRRORS (FIGURE 19-5)  
WITH CAB**



HP000896

ITEM	PART NO.	DESCRIPTION	QTY
1	4009488	Mirror .....	2
2	1579412	Bracket .....	2
3	1583611	Capscrew .....	4
4	1531557	Insert .....	4

**MIRRORS (FIGURE 19-6)  
WITH OVERHEAD GUARD**

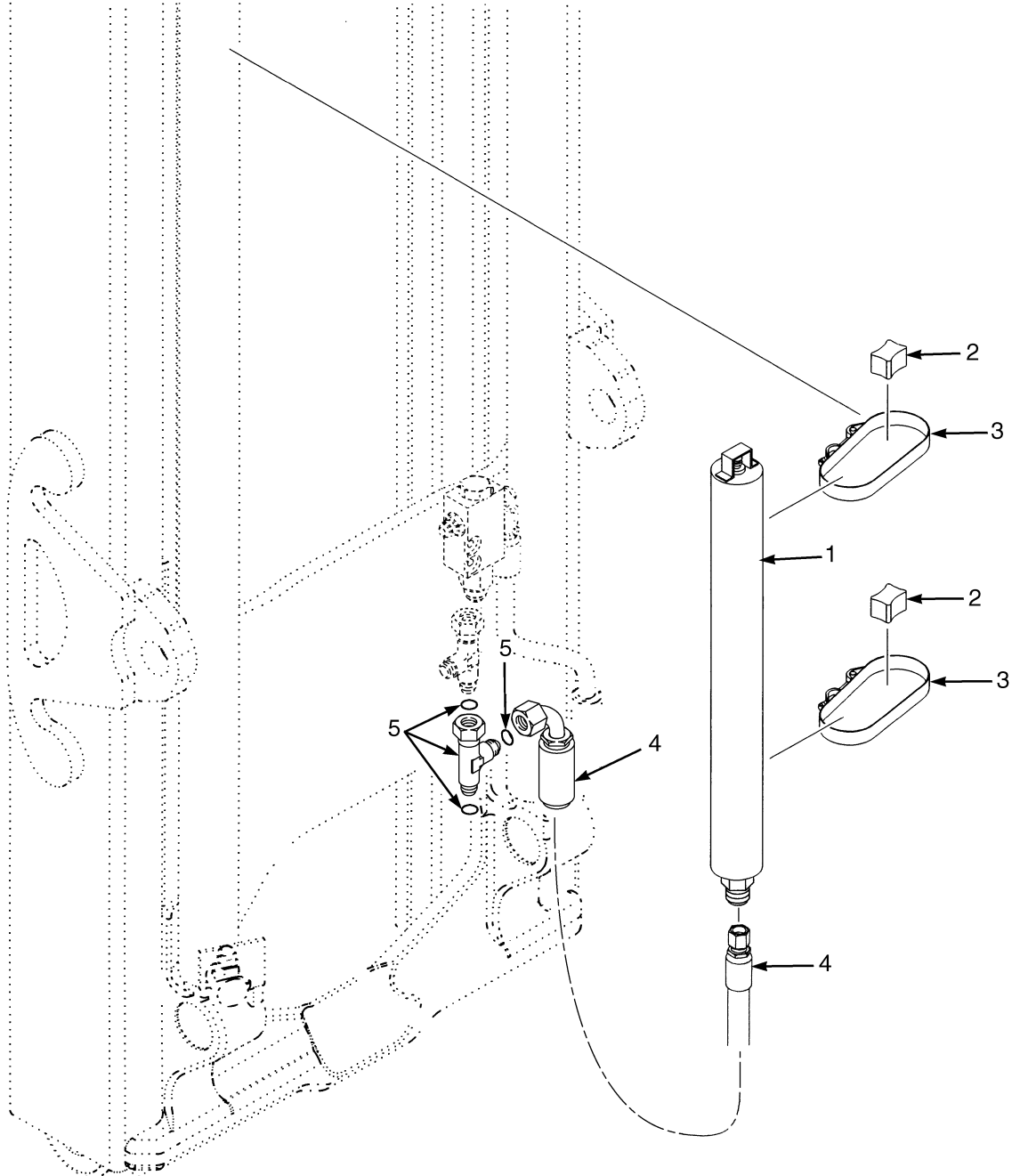


HP000895

**MIRRORS  
WITH OVERHEAD GUARD**

<b>ITEM</b>	<b>PART NO.</b>	<b>DESCRIPTION</b>	<b>QTY</b>
1	4009488	Mirror .....	2
2	1656215	Bracket (RH) .....	1
2	1656216	Bracket (LH) .....	1
3	1583611	Capscrew .....	4
4	1586430	Nut .....	4

**ACCUMULATOR AND ATTACHING PARTS (FIGURE 19-7)**



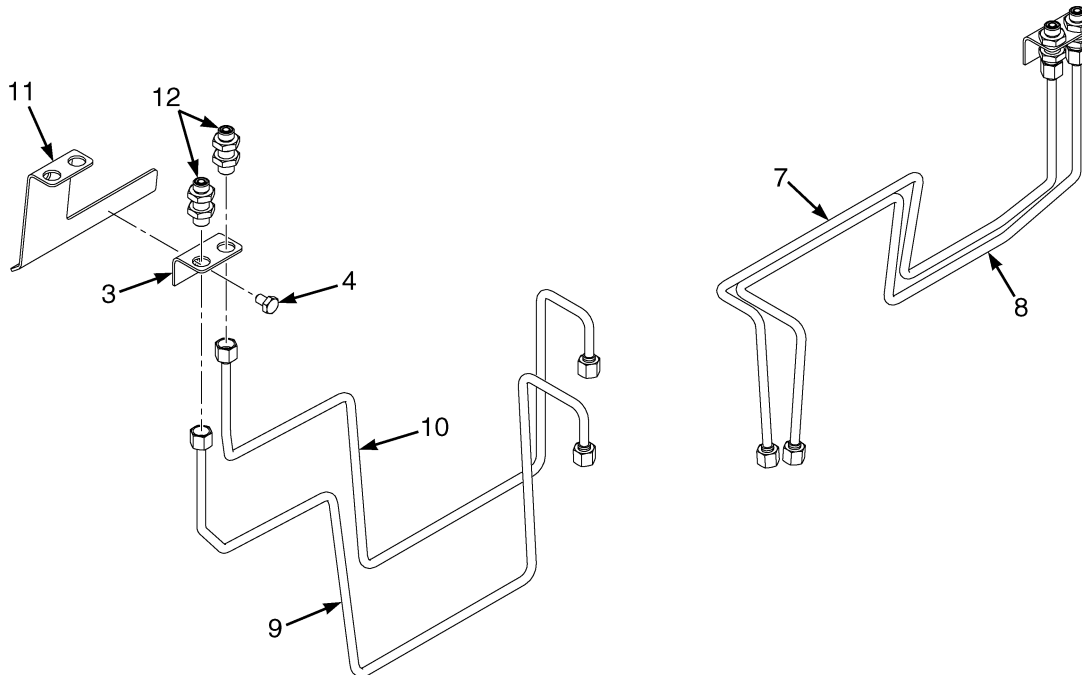
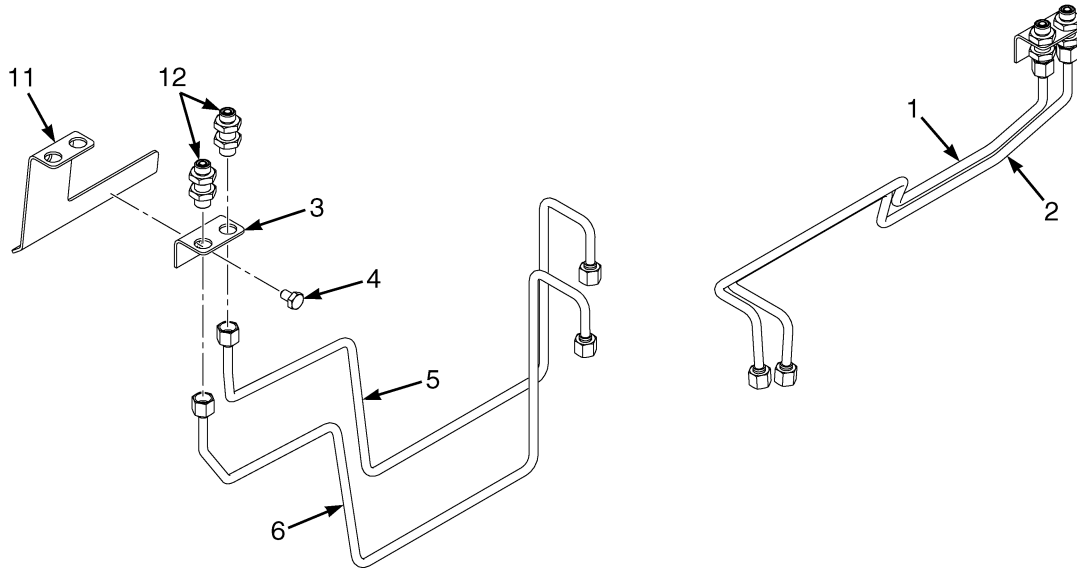
HP000908



**ACCUMULATOR AND ATTACHING PARTS**

<b>ITEM</b>	<b>PART NO.</b>	<b>DESCRIPTION</b>	<b>QTY</b>
1	1629185	Accumulator .....	1
1	1695807	Accumulator (Alternate Part) .....	1
2	1609864	Spacer .....	2
3	4031653	Strap Clamp .....	2
4	2073766	Hose Assy .....	1
5	1487096	Fitting .....	1
5	252729	O-Ring .....	3

## AUXILIARY TUBES (FIGURE 19-8) TWO STAGE LIMITED FREE LIFT — WITH MANUAL AND E-HYDRAULICS VALVE WITHOUT QUICK DISCONNECT



BP000843

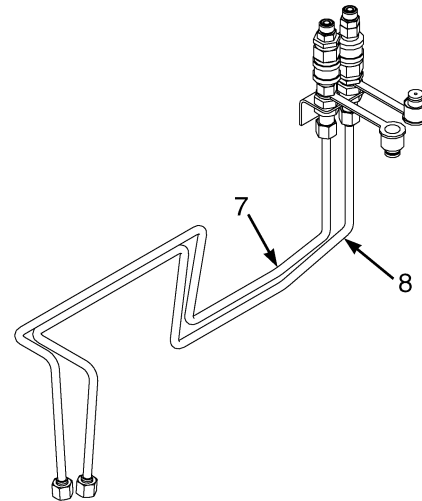
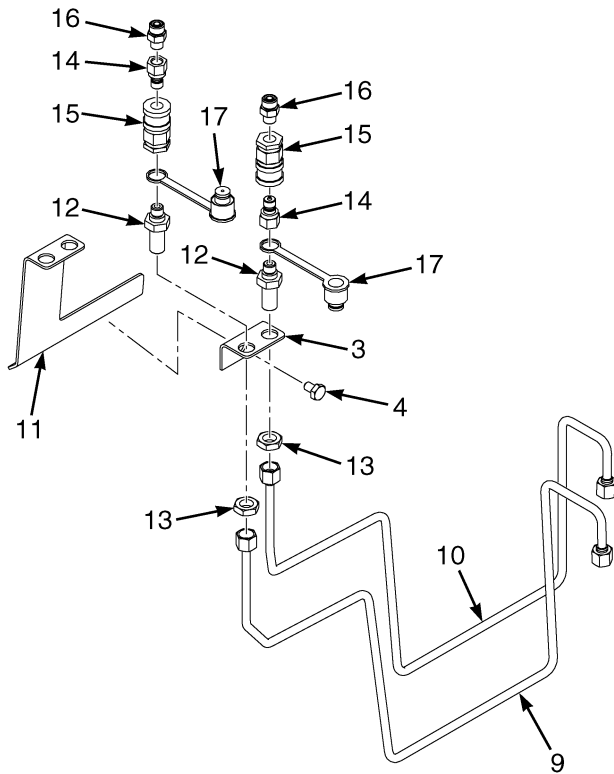
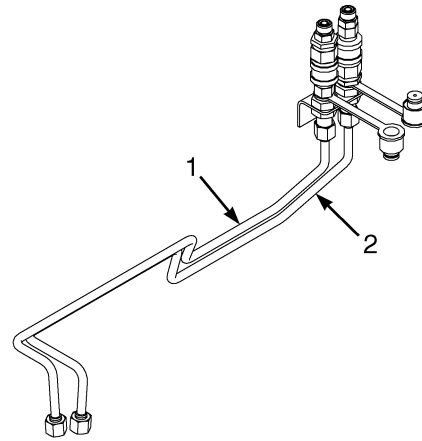
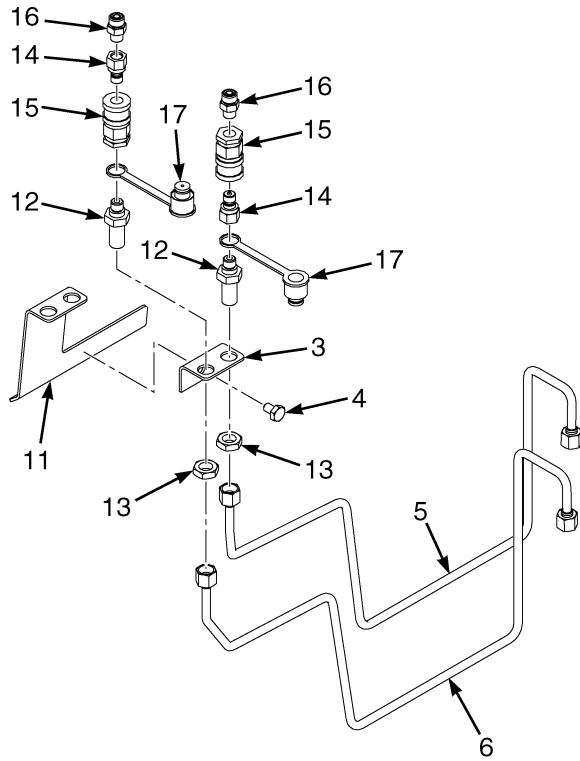
**AUXILIARY TUBES****TWO STAGE LIMITED FREE LIFT – WITH MANUAL AND E-HYDRAULICS VALVE WITHOUT QUICK DISCONNECT****KEY:****A: H2.0-2.5FT (F507)****B: H3.0-3.5FT (F562)**

ITEM	PART NO.	DESCRIPTION	QTY	
			A	B
1	<b>d</b> 4628202	Tube Assy .....	1	..
2	<b>d</b> 4628203	Tube Assy .....	1	..
3	1550070	Bracket .....	1	2
4	1658934	Capscrew .....	1	2
5	<b>a</b> 4628200	Tube Assy .....	1	..
6	<b>a</b> 4628201	Tube Assy .....	1	..
7	<b>d</b> 4628206	Tube Assy .....	..	1
8	<b>d</b> 4628207	Tube Assy .....	..	1
9	<b>a</b> 4628204	Tube Assy .....	..	1
10	<b>a</b> 4628205	Tube Assy .....	..	1
11	<b>b</b> 4060493	Bracket (LH) .....	..	1
11	<b>b</b> 4060492	Bracket (LH) .....	1	..
12	1528573	Fitting .....	2	4
13	<b>c</b> 1529015	Cap .....	2	4

**FOOTNOTES:****a** Four Function**b** Integral Side-Shift Carriage**c** Not Illustrated**d** Three Function

## AUXILIARY TUBES (FIGURE 19-9)

### TWO STAGE LIMITED FREE LIFT — MANUAL AND E-HYDRAULIC VALVE WITH QUICK DISCONNECT



BP000844

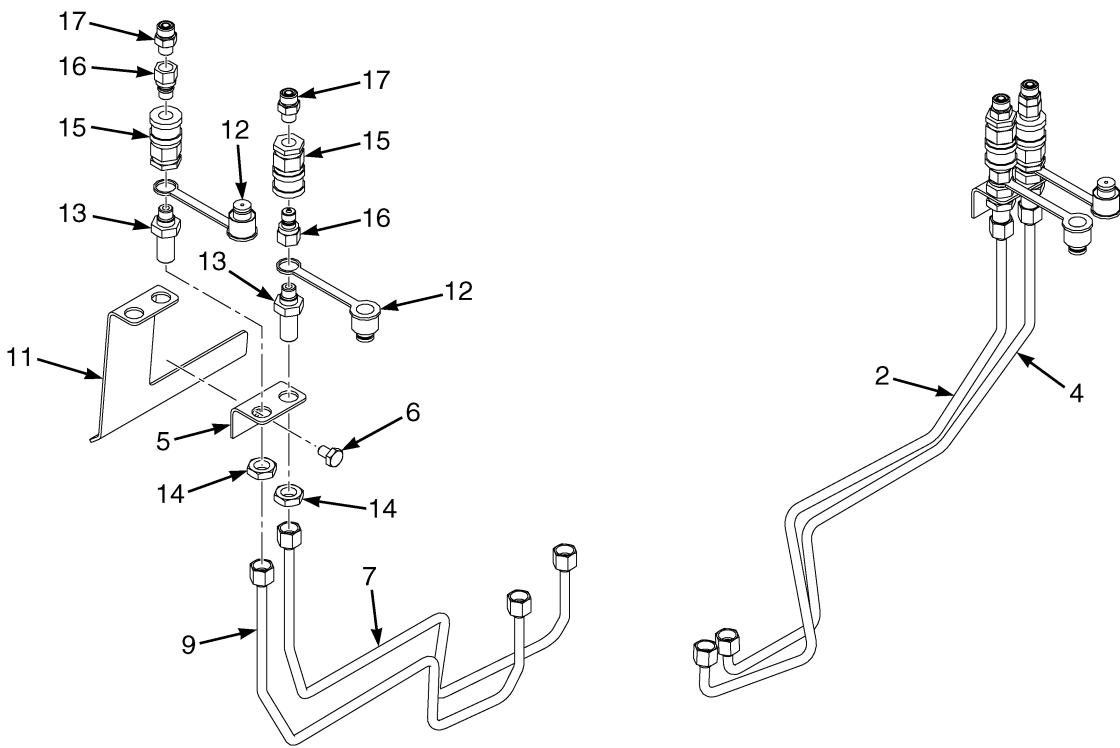
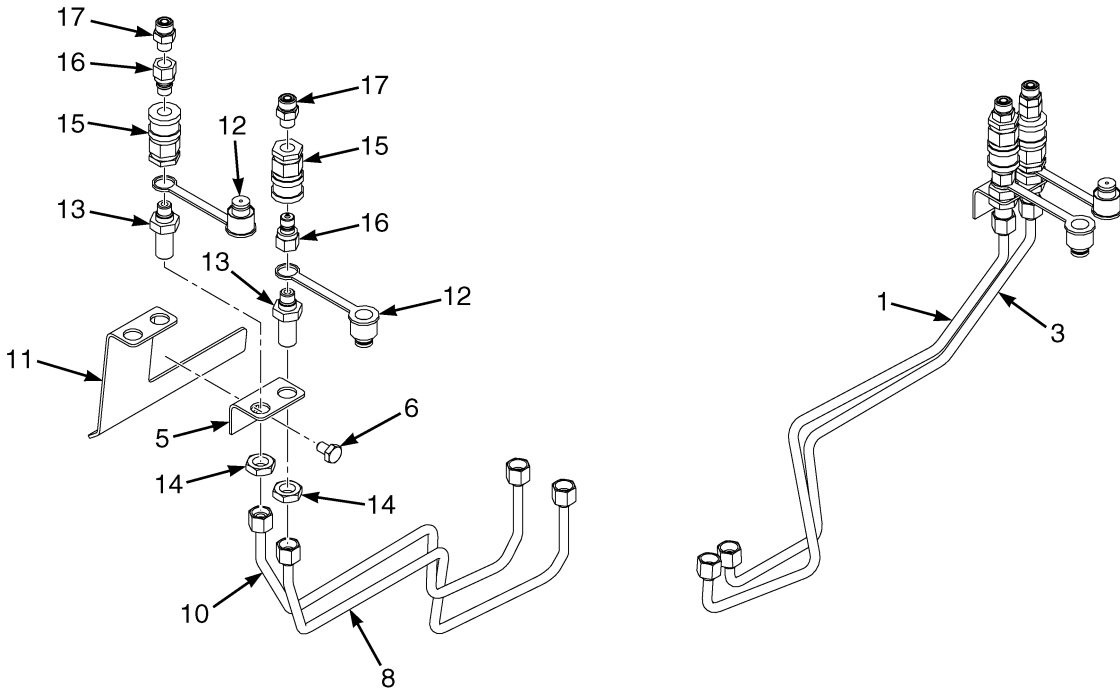
**AUXILIARY TUBES****TWO STAGE LIMITED FREE LIFT – MANUAL AND E-HYDRAULIC VALVE WITH QUICK DISCONNECT****KEY:****A: H2.0-2.5FT (F507)****B: H3.0-3.5FT (F562)**

ITEM	PART NO.	DESCRIPTION	QTY	
			A	B
1	<b>e</b> 4628202	Tube Assy .....	1	..
2	<b>e</b> 4628203	Tube Assy .....	1	..
3	1550070	Bracket .....	1	2
4	1658934	Capscrew .....	1	2
5	<b>b</b> 4628200	Tube Assy .....	1	..
6	<b>b</b> 4628201	Tube Assy .....	1	..
7	<b>e</b> 4628206	Tube Assy .....	..	1
8	<b>e</b> 4628207	Tube Assy .....	..	1
9	<b>b</b> 4628204	Tube Assy .....	..	1
10	<b>b</b> 4628205	Tube Assy .....	..	1
11	<b>c</b> 4060493	Bracket (LH) .....	..	1
11	<b>c</b> 4060492	Bracket (LH) .....	1	..
12	<b>d</b> 1708364	Bulkhead (Fitting) .....	2	2
12	<b>a</b> 1708364	Bulkhead (Fitting) .....	4	4
13	<b>d</b> 1528602	Locknut .....	2	2
13	<b>a</b> 1528602	Locknut .....	4	4
14	<b>d</b> 1483663	Quick Disconnect Fitting .....	2	2
14	<b>a</b> 1483663	Quick Disconnect Fitting .....	4	4
15	<b>d</b> 1483664	Fitting .....	2	2
15	<b>a</b> 1483664	Fitting .....	4	4
16	<b>d</b> 1486740	Fitting .....	2	2
16	<b>a</b> 1486740	Fitting .....	4	4
17	<b>d</b> 1483661	Dust Cap .....	2	2
17	<b>a</b> 1483661	Dust Cap .....	4	4

**FOOTNOTES:****a** Dual Auxiliary Option**b** Four Function**c** Integral Side-Shift Carriage**d** Single Auxiliary Option**e** Three Function

## AUXILIARY TUBES (FIGURE 19-10)

### THREE STAGE FULL FREE-LIFT — MANUAL AND E-HYDRAULICS VALVE WITH QUICK DISCONNECT



BP000861

**AUXILIARY TUBES****THREE STAGE FULL FREE-LIFT – MANUAL AND E-HYDRAULICS VALVE WITH QUICK DISCONNECT****KEY:****A: H2.0-2.5FT (F508)****B: H3.0-3.5FT (F563)**

ITEM	PART NO.	DESCRIPTION	QTY	
			A	B
1	e 4624525	Tube Assy .....	1	..
2	e 4624527	Tube Assy .....	..	1
3	e 4624524	Tube Assy .....	1	..
4	e 4624526	Tube Assy .....	..	1
5	1550070	Bracket .....	2	2
6	1658934	Capscrew .....	2	2
7	b 4624501	Tube Assy .....	1	..
8	b 4624503	Tube Assy .....	..	1
9	b 4624502	Tube Assy .....	1	..
10	b 4624504	Tube Assy .....	..	1
11	c 4060492	Bracket .....	2	..
11	c 4060493	Bracket .....	..	2
12	d 1483661	Dust Cap .....	2	2
12	a 1483661	Dust Cap .....	4	4
13	d 1708364	Bulkhead (Fitting) .....	2	2
13	a 1708364	Bulkhead (Fitting) .....	4	4
14	d 1528602	Locknut .....	2	2
14	a 1528602	Locknut .....	4	4
15	d 1483663	Quick Disconnect Fitting .....	2	2
15	a 1483663	Quick Disconnect Fitting .....	4	4
16	d 1483664	Fitting .....	2	2
16	a 1483664	Fitting .....	4	4
17	d 1486740	Fitting .....	2	2
17	a 1486740	Fitting .....	4	4

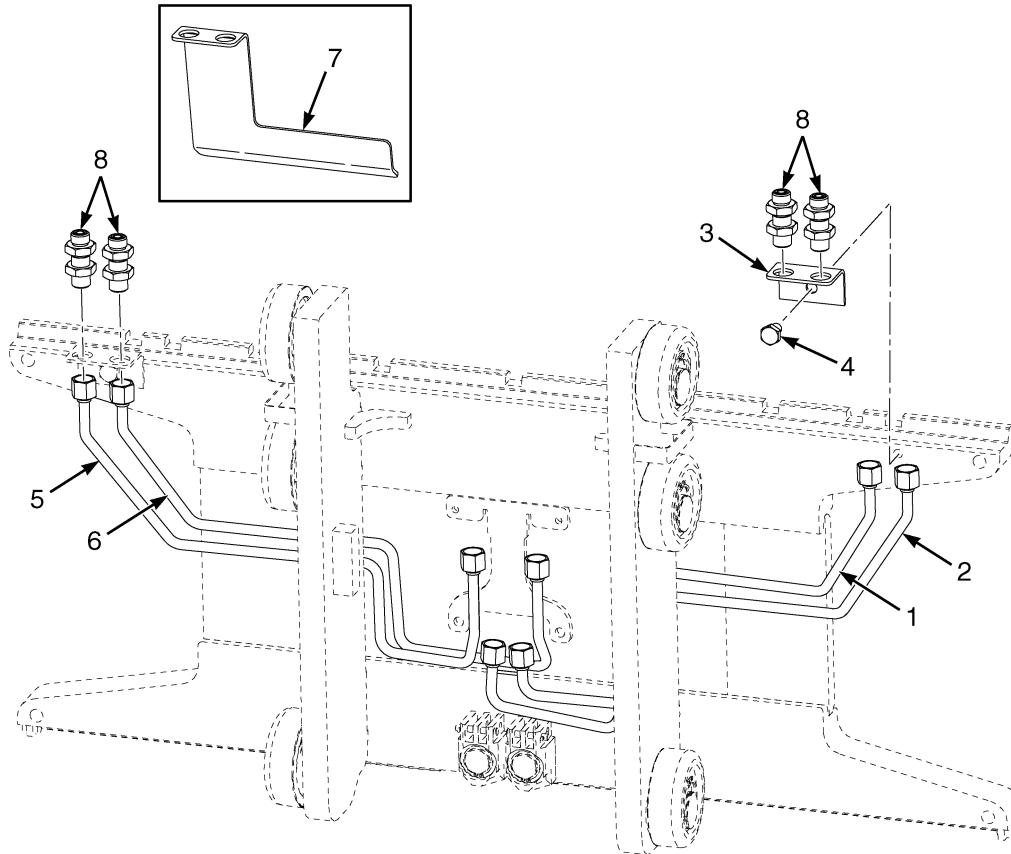
**FOOTNOTES:**

**a** Dual Auxiliary  
**b** Four Function  
**c** Integral Side-Shift

**d** Single Auxiliary  
**e** Three Function

## AUXILIARY TUBES (FIGURE 19-11)

THREE STAGE FULL FREE-LIFT — MANUAL AND E-HYDRAULICS VALVE WITHOUT QUICK DISCONNECT



BP170654

**KEY:**

**A:** H2.0-2.5FT (F508)

**B:** H3.0-3.5FT (F563)

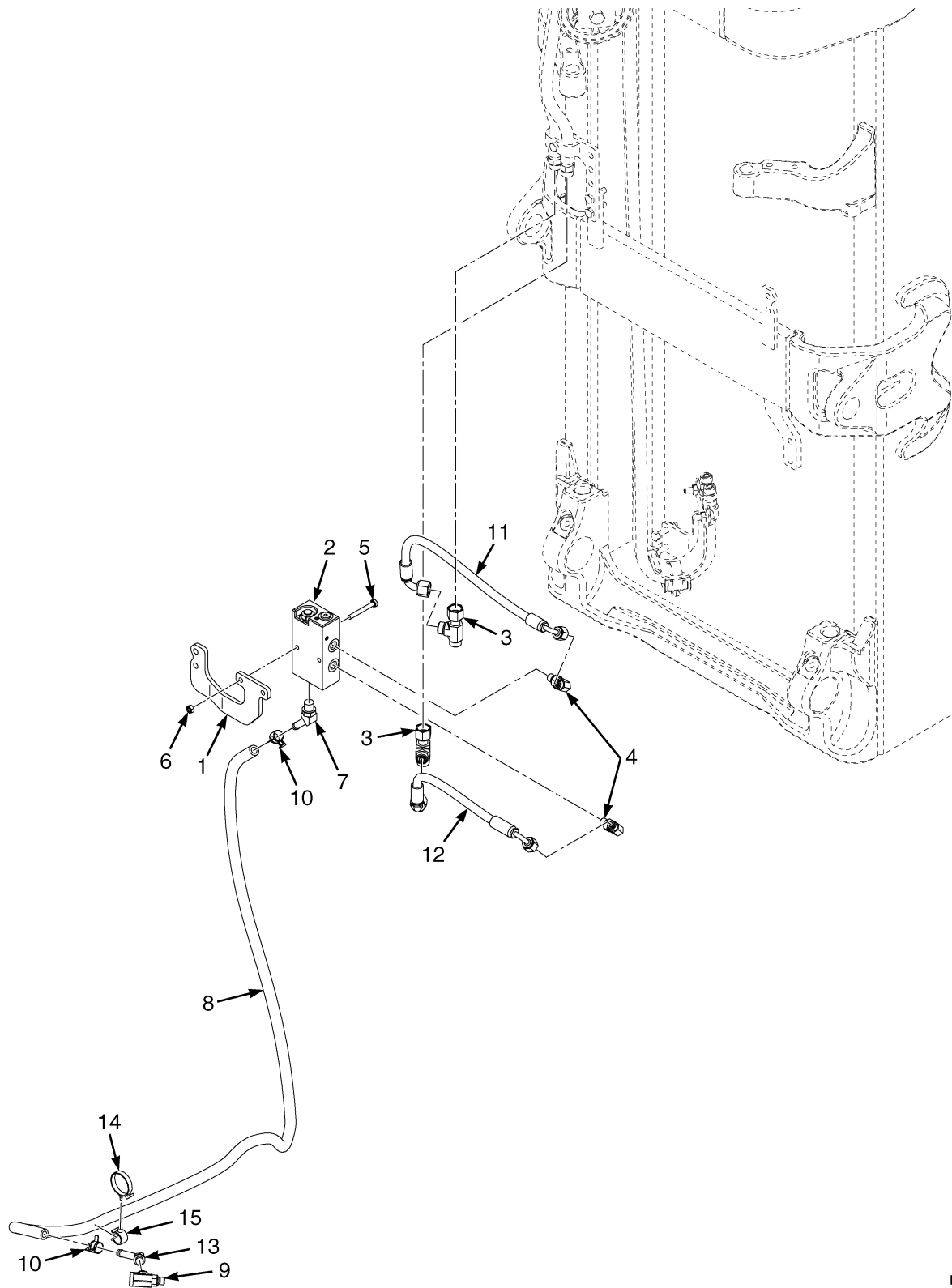
ITEM	PART NO.	DESCRIPTION	QTY	
			A	B
1	f 4624525	Tube Assy .....	1	..
1	f 4624527	Tube Assy .....	..	1
2	f 4624524	Tube Assy .....	1	..
2	f 4624526	Tube Assy .....	..	1
3	1550070	Bracket .....	2	2
4	1658934	Capscrew .....	2	2
5	b 4624501	Tube Assy .....	1	..
5	b 4624503	Tube Assy .....	..	1
6	b 4624502	Tube Assy .....	1	..
6	b 4624504	Tube Assy .....	..	1
7	c 4060492	Bracket .....	2	..
7	c 4060493	Bracket .....	..	2
8	e 1528573	Fitting .....	2	2
8	a 1528573	Fitting .....	4	4
	de 1529015	Cap .....	2	2
	ad 1529015	Cap .....	4	4



**FOOTNOTES:**

- |          |                     |          |                  |
|----------|---------------------|----------|------------------|
| <b>a</b> | Dual Auxiliary      | <b>d</b> | Not Illustrated  |
| <b>b</b> | Four Function       | <b>e</b> | Single Auxiliary |
| <b>c</b> | Integral Side-Shift | <b>f</b> | Three Function   |

## AUXILIARY QUICK DISCONNECT MANIFOLD AND HOSES (FIGURE 19-12) TWO STAGE LIMITED FREE-LIFT (SINGLE AUXILIARY WITH E-HYDRAULICS) — THREE FUNCTION

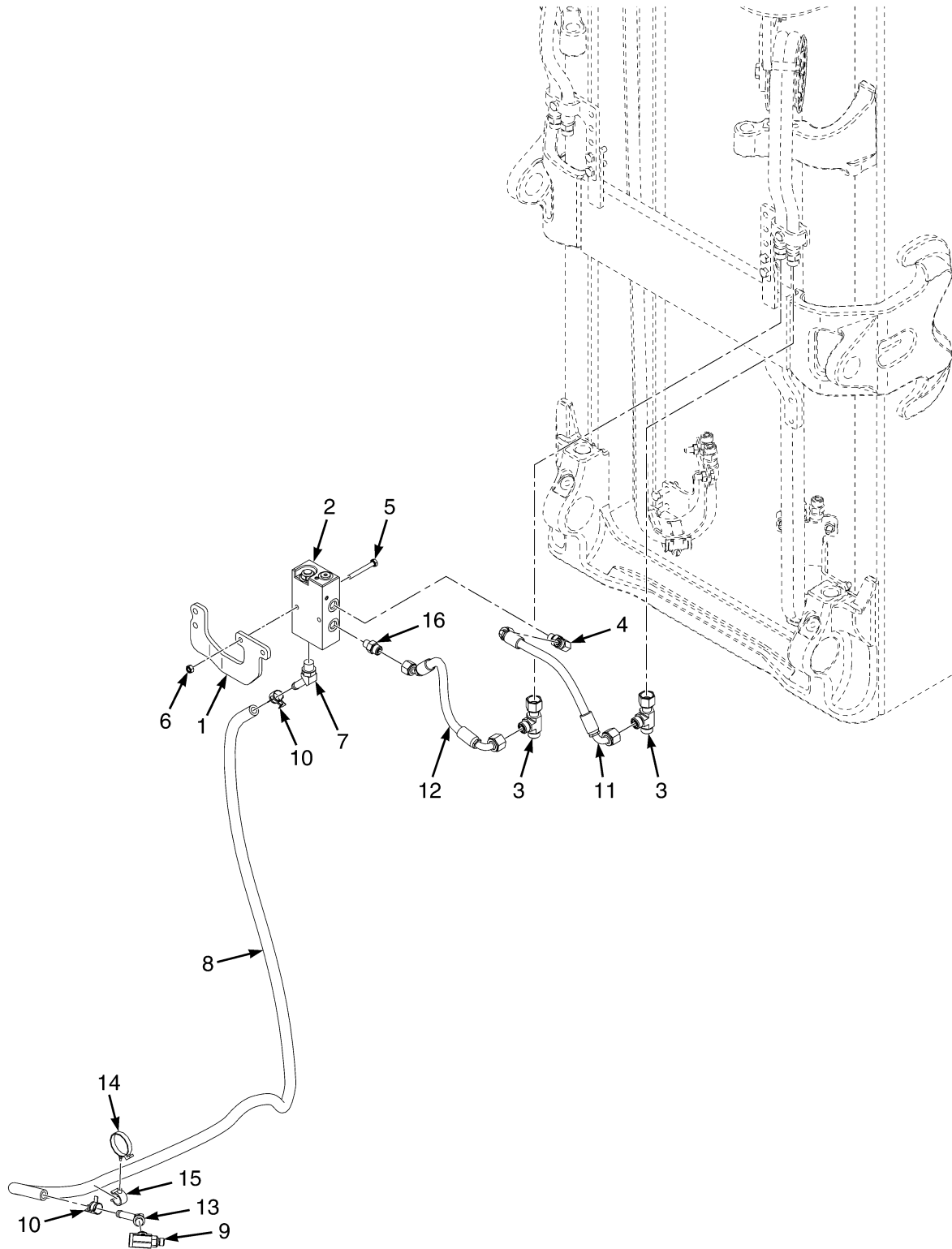


BP000847

**AUXILIARY QUICK DISCONNECT MANIFOLD AND HOSES  
TWO STAGE LIMITED FREE-LIFT (SINGLE AUXILIARY WITH E-HYDRAULICS) – THREE FUNCTION**

ITEM	PART NO.	DESCRIPTION	QTY
1	4067017	Bracket .....	1
2	2111754	Valve .....	1
3	1487097	Fitting .....	2
4	1487058	Fitting .....	2
5	292505	Capscrew .....	2
6	302399	Nut .....	2
7	222501	Fitting .....	1
8	4626477	Hose Assy .....	1
9	4606305	T-Fitting .....	1
10	1569616	Hose Clamp .....	2
11	4626472	Hose Assy .....	1
12	4626473	Hose Assy .....	1
13	222500	Fitting .....	1
14	1644398	Clamp (Swivel) .....	1
15	1606544	Clamp (Swivel) .....	1

## AUXILIARY QUICK DISCONNECT MANIFOLD AND HOSES (FIGURE 19-13) TWO STAGE LIMITED FREE-LIFT (SINGLE AUXILIARY WITH INTEGRAL SIDE-SHIFT AND E-HYDRAULICS) — FOUR FUNCTION

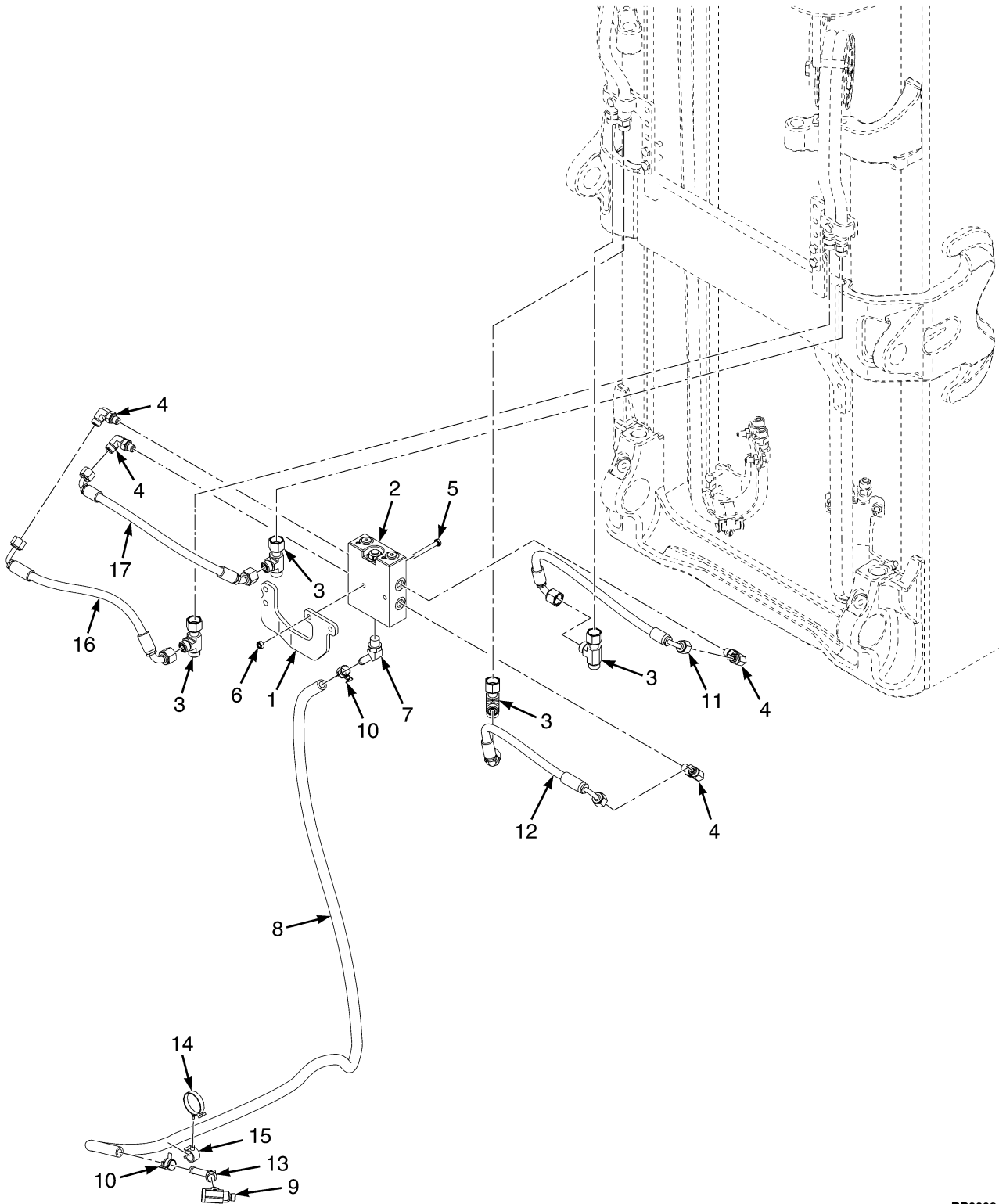


BP000846

**AUXILIARY QUICK DISCONNECT MANIFOLD AND HOSES**  
**TWO STAGE LIMITED FREE-LIFT (SINGLE AUXILIARY WITH INTEGRAL SIDE-SHIFT AND E-HYDRAULICS)**  
**- FOUR FUNCTION**

ITEM	PART NO.	DESCRIPTION	QTY
1	4067017	Bracket .....	1
2	2111754	Valve .....	1
3	1487097	Fitting .....	2
4	1487058	Fitting .....	1
5	292505	Capscrew .....	2
6	302399	Nut .....	2
7	222501	Fitting .....	1
8	4626477	Hose Assy .....	1
9	4606305	T-Fitting .....	1
10	1569616	Hose Clamp .....	2
11	4628430	Hose Assy .....	1
12	4628431	Hose Assy .....	1
13	222500	Fitting .....	1
14	1644398	Clamp (Swivel) .....	1
15	1606544	Clamp (Swivel) .....	1
16	1486737	Fitting .....	1

## AUXILIARY QUICK DISCONNECT MANIFOLD AND HOSES (FIGURE 19-14) TWO STAGE LIMITED FREE-LIFT (DUAL AUXILIARY WITH E-HYDRAULICS) — THREE AND FOUR FUNCTION

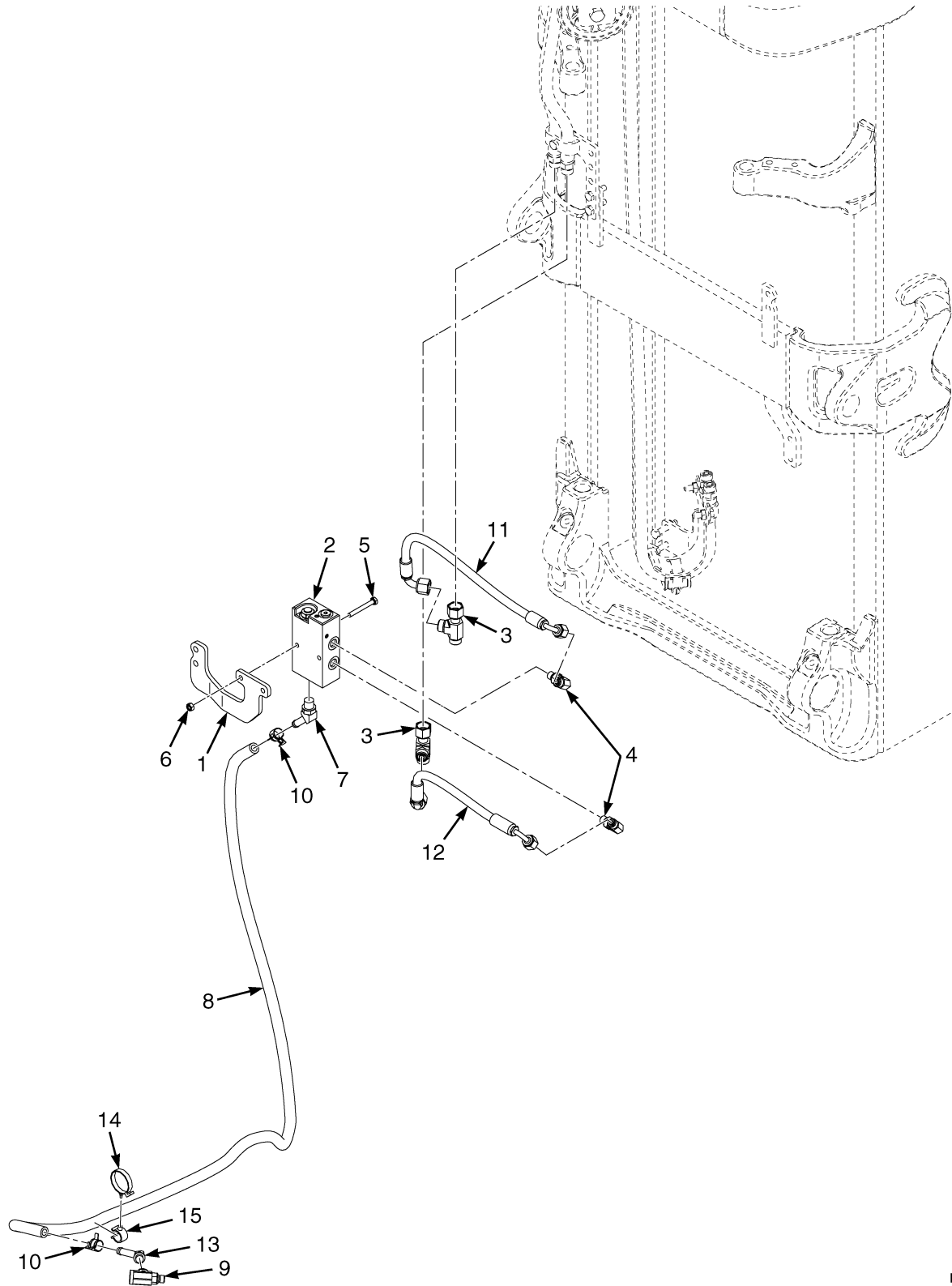


BP000845

**AUXILIARY QUICK DISCONNECT MANIFOLD AND HOSES  
TWO STAGE LIMITED FREE-LIFT (DUAL AUXILIARY WITH E-HYDRAULICS) – THREE AND FOUR FUNCTION**

ITEM	PART NO.	DESCRIPTION	QTY
1	4067017	Bracket .....	1
2	2111755	Valve .....	1
3	1487097	Fitting .....	4
4	1487058	Fitting .....	4
5	292505	Capscrew .....	2
6	302399	Nut .....	2
7	222501	Fitting .....	1
8	4626477	Hose Assy .....	1
9	4606305	T-Fitting .....	1
10	1569616	Hose Clamp .....	2
11	4626472	Hose Assy .....	1
12	4626473	Hose Assy .....	1
13	222500	Fitting .....	1
14	1644398	Clamp (Swivel) .....	1
15	1606544	Clamp (Swivel) .....	1
16	4628269	Hose Assy .....	1
17	4628268	Hose Assy .....	1

## AUXILIARY QUICK DISCONNECT MANIFOLD AND HOSES (FIGURE 19-15) THREE STAGE FULL FREE-LIFT (SINGLE AUXILIARY WITH E-HYDRAULICS — THREE FUNCTION)



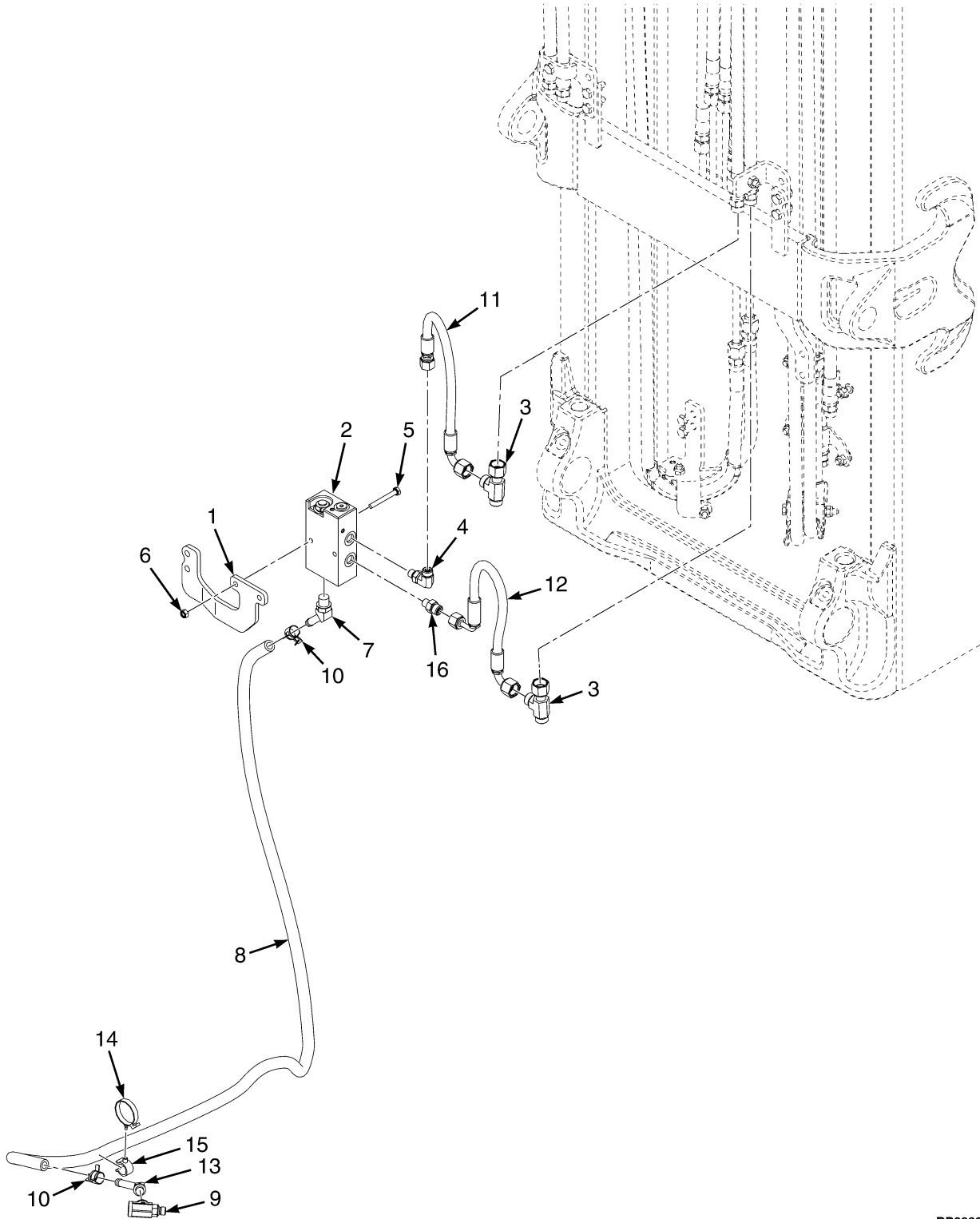
BP000847



**AUXILIARY QUICK DISCONNECT MANIFOLD AND HOSES**  
**THREE STAGE FULL FREE-LIFT (SINGLE AUXILIARY WITH E-HYDRAULICS – THREE FUNCTION)**

ITEM	PART NO.	DESCRIPTION	QTY
1	4067017	Bracket .....	1
2	2111754	Valve .....	1
3	1487097	Fitting .....	2
4	1487058	Fitting .....	2
5	292505	Capscrew .....	2
6	302399	Nut .....	2
7	222501	Fitting .....	1
8	4626477	Hose Assy .....	1
9	4606305	T-Fitting .....	1
10	1569616	Hose Clamp .....	2
11	4626472	Hose Assy .....	1
12	4626473	Hose Assy .....	1
13	222500	Fitting .....	1
14	1644398	Clamp (Swivel) .....	1
15	1606544	Clamp (Swivel) .....	1

## AUXILIARY QUICK DISCONNECT MANIFOLD AND HOSES (FIGURE 19-16) THREE STAGE FULL FREE-LIFT (SINGLE AUXILIARY WITH INTEGRAL SIDE-SHIFT AND E-HYDRAULICS) — FOUR FUNCTION

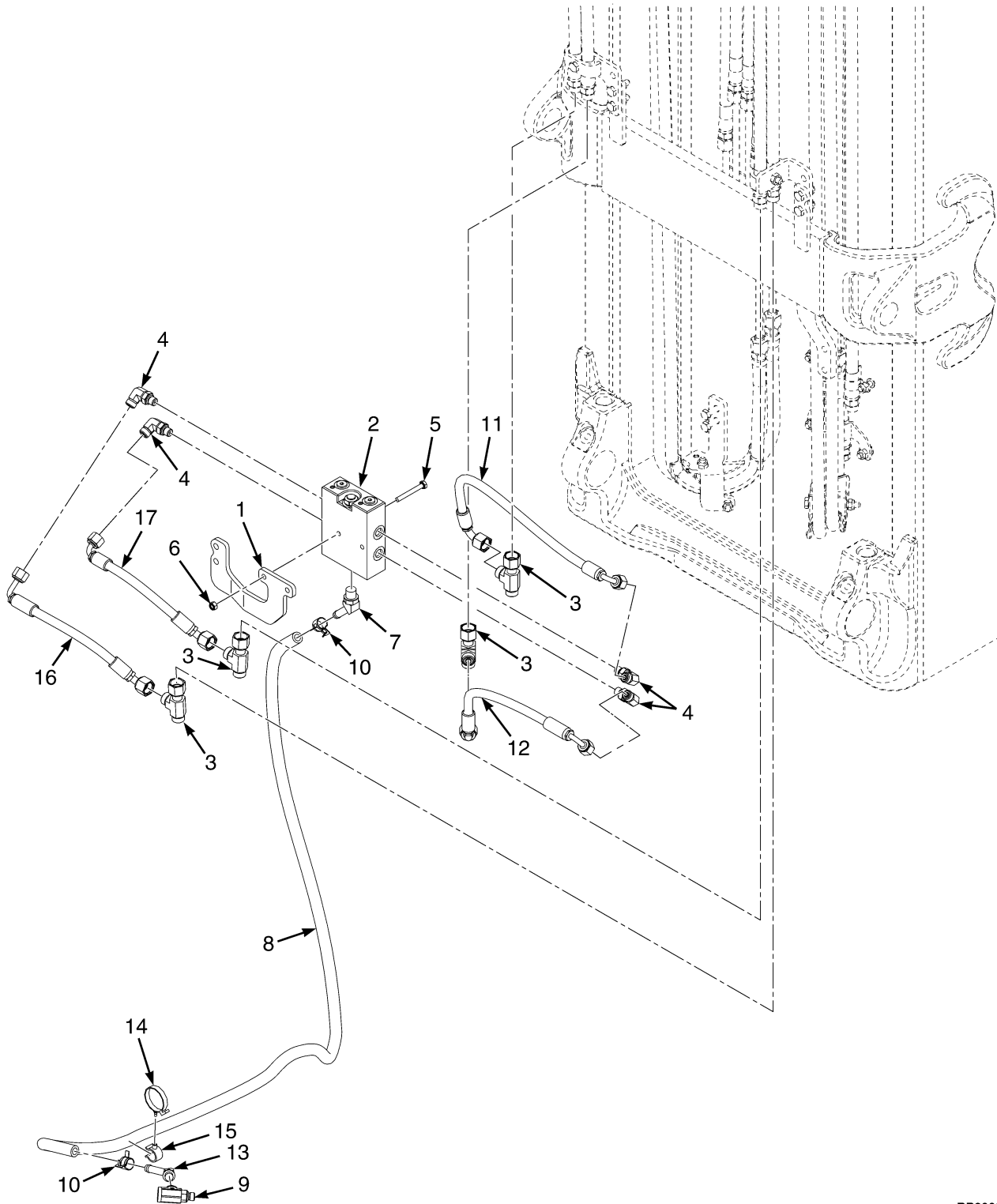


BP000856

**AUXILIARY QUICK DISCONNECT MANIFOLD AND HOSES**  
**THREE STAGE FULL FREE-LIFT (SINGLE AUXILIARY WITH INTEGRAL SIDE-SHIFT AND E-HYDRAULICS)**  
**- FOUR FUNCTION**

ITEM	PART NO.	DESCRIPTION	QTY
1	4067017	Bracket .....	1
2	2111754	Valve .....	1
3	1487097	Fitting .....	2
4	1487058	Fitting .....	1
5	292505	Capscrew .....	2
6	302399	Nut .....	2
7	222501	Fitting .....	1
8	4626477	Hose Assy .....	1
9	4606305	T-Fitting .....	1
10	1569616	Hose Clamp .....	2
11	4626238	Hose Assy .....	1
12	4626239	Hose Assy .....	1
13	222500	Fitting .....	1
14	1644398	Clamp (Swivel) .....	1
15	1606544	Clamp (Swivel) .....	1
16	1486737	Fitting .....	1

## AUXILIARY QUICK DISCONNECT MANIFOLD AND HOSES (FIGURE 19-17) THREE STAGE FULL FREE-LIFT (DUAL AUXILIARY WITH E-HYDRAULICS — THREE AND FOUR FUNCTION

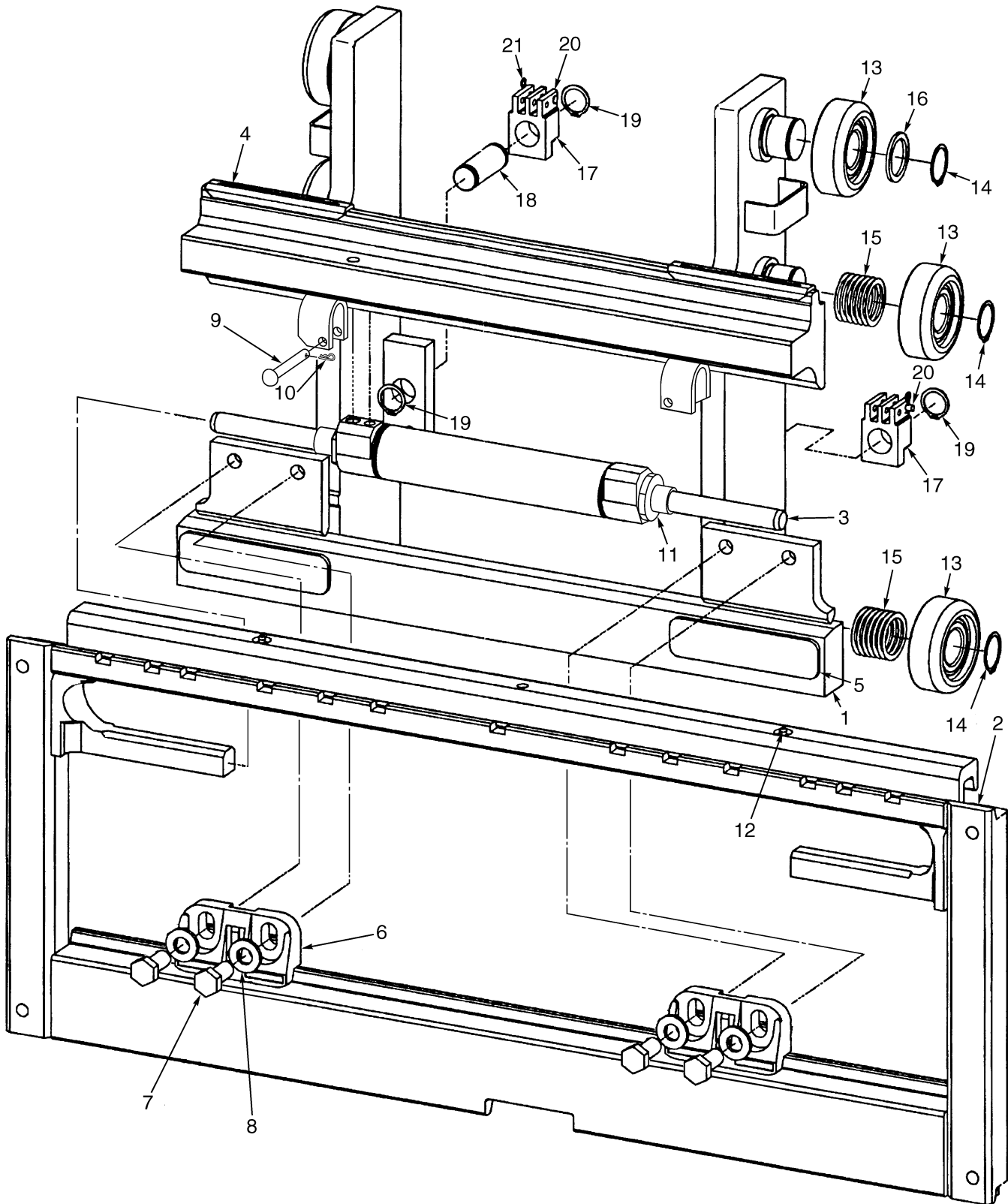


BP000855

**AUXILIARY QUICK DISCONNECT MANIFOLD AND HOSES**  
**THREE STAGE FULL FREE-LIFT (DUAL AUXILIARY WITH E-HYDRAULICS – THREE AND FOUR FUNCTION)**

ITEM	PART NO.	DESCRIPTION	QTY
1	4067017	Bracket .....	1
2	2111755	Valve .....	1
3	1487097	Fitting .....	4
4	1487058	Fitting .....	4
5	292505	Capscrew .....	2
6	302399	Nut .....	2
7	222501	Fitting .....	1
8	4626477	Hose Assy .....	1
9	4606305	T-Fitting .....	1
10	1569616	Hose Clamp .....	2
11	4626472	Hose Assy .....	1
12	4626473	Hose Assy .....	1
13	222500	Fitting .....	1
14	1644398	Clamp (Swivel) .....	1
15	1606544	Clamp (Swivel) .....	1
16	4626474	Hose Assy .....	1
17	4626475	Hose Assy .....	1

## INTEGRAL SIDE-SHIFT CARRIAGE (FIGURE 19-18) TWO STAGE LIMITED FREE-LIFT



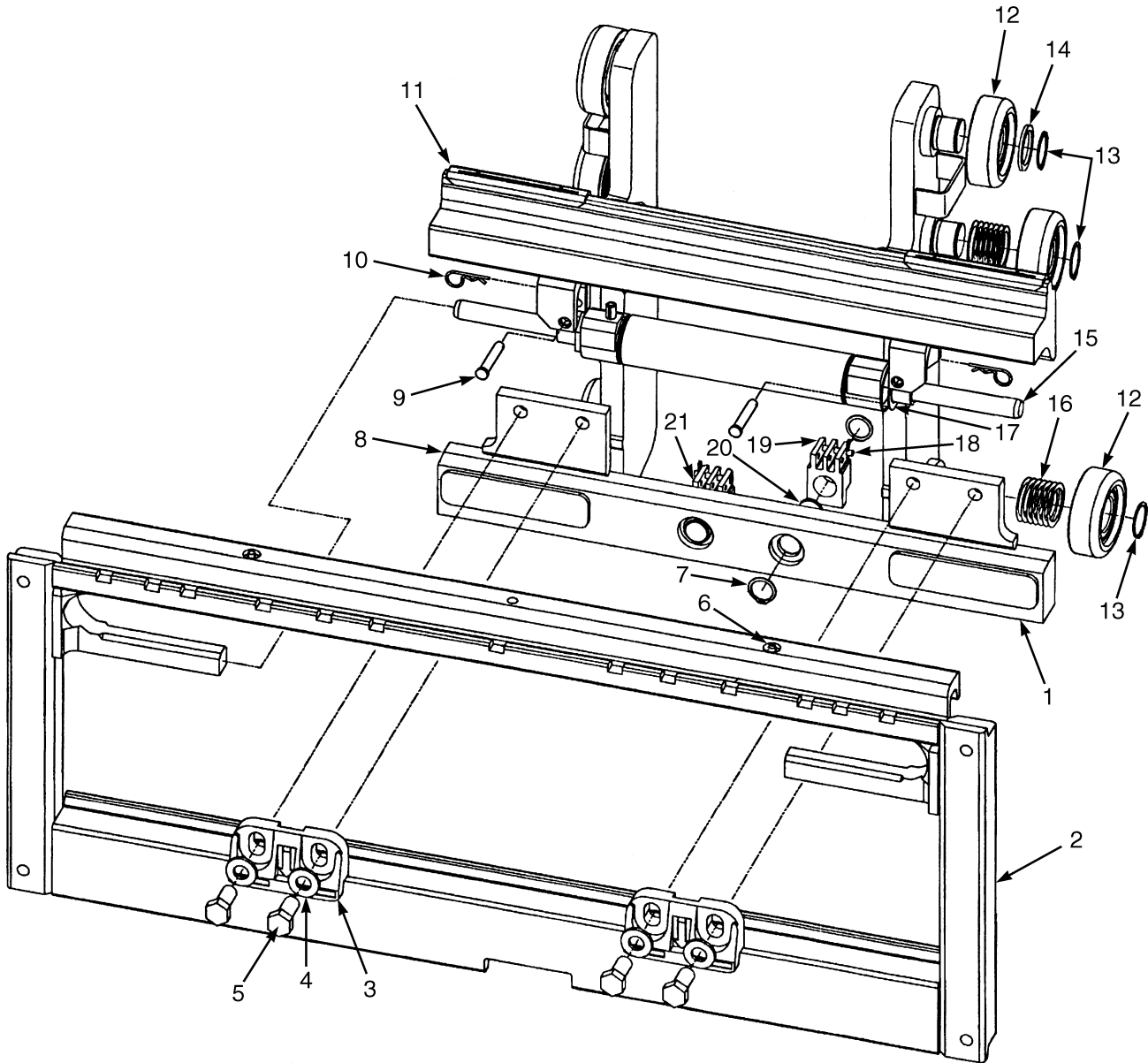
HP020343

**INTEGRAL SIDE-SHIFT CARRIAGE  
TWO STAGE LIMITED FREE-LIFT****KEY:****A: H2.0-2.5FT (F507)****B: H3.0-3.5FT (F562)**

ITEM	PART NO.	DESCRIPTION	QTY	
			A	B
	4625591	Side-Shift Carriage (1067 mm) .....	1	..
	4625592	Side-Shift Carriage (1219 mm) .....	1	..
	4625598	Side-Shift Carriage (1067 mm) .....	..	1
	4625600	Side-Shift Carriage (1219 mm) .....	..	1
1	4065188	Carriage Wldmt (1067 and 1219 mm) .....	1	..
1	4065214	Carriage Wldmt (1067 and 1219 mm) .....	..	1
2	4033955	Frame (Outer) (1067 mm) .....	1	..
2	4033958	Frame Wldmt (1219 mm) (Outer) .....	1	..
2	4033960	Frame (Outer) (1067 mm) .....	..	1
2	4033957	Frame Wldmt (1219 mm) (Outer) .....	..	1
3	2043528	Sideshift Cylinder Assembly (☞Figure 19-24).....	1	..
3	2043529	Sideshift Cylinder Assembly (☞Figure 19-24).....	..	1
4	2043531	Bearing Strip (Upper) .....	2	..
4	2043532	Bearing (Upper) .....	..	2
5	2043533	Bearing Strip (Lower) .....	2	..
5	2043534	Bearing (Lower) .....	..	2
6	4611363	Hook .....	2	2
7	1581833	Capscrew .....	4	4
8	1581854	Washer .....	4	4
9	1401746	Pin .....	2	2
10	18832	Cotter Pin .....	2	2
11	1498326	Shim .....	3	3
12	16041	Grease Fitting .....	2	2
13	1345219	Load Roller ("B") (111.48/111.22) .....	6	6
14	12891	Snap Ring .....	6	6
14	a 386422	Snap Ring (Optional) .....	6	6
15	1345263	Shim (0.508 mm) .....	28	28
16	366116	Spacer .....	2	2
17	1369345	Chain Anchor (Dual Hole) .....	2	..
17	1504010	Chain Anchor (Single Hole) (Optional) .....	2	..
17	1369344	Chain Anchor (Dual Hole) .....	..	2
17	1504012	Chain Anchor (Single Hole) (Optional) .....	..	2
18	1353408	Pin .....	2	2
18	317735	Pin (1219 mm) .....	2	2
19	131358	Snap Ring .....	4	4
20	1514866	Pin .....	2	2
21	15211	Cotter Pin .....	2	2
	a 4611880	Carriage (1067 mm) (Fork Positioner) (☞Figure 19-27).....	1	..
	a 4611882	Carriage (1067 mm) (Fork Positioner) (☞Figure 19-27).....	..	1

**FOOTNOTES:****a** Not Illustrated

## INTEGRAL SIDE-SHIFT CARRIAGE (FIGURE 19-19) THREE STAGE FULL FREE-LIFT



HP020344

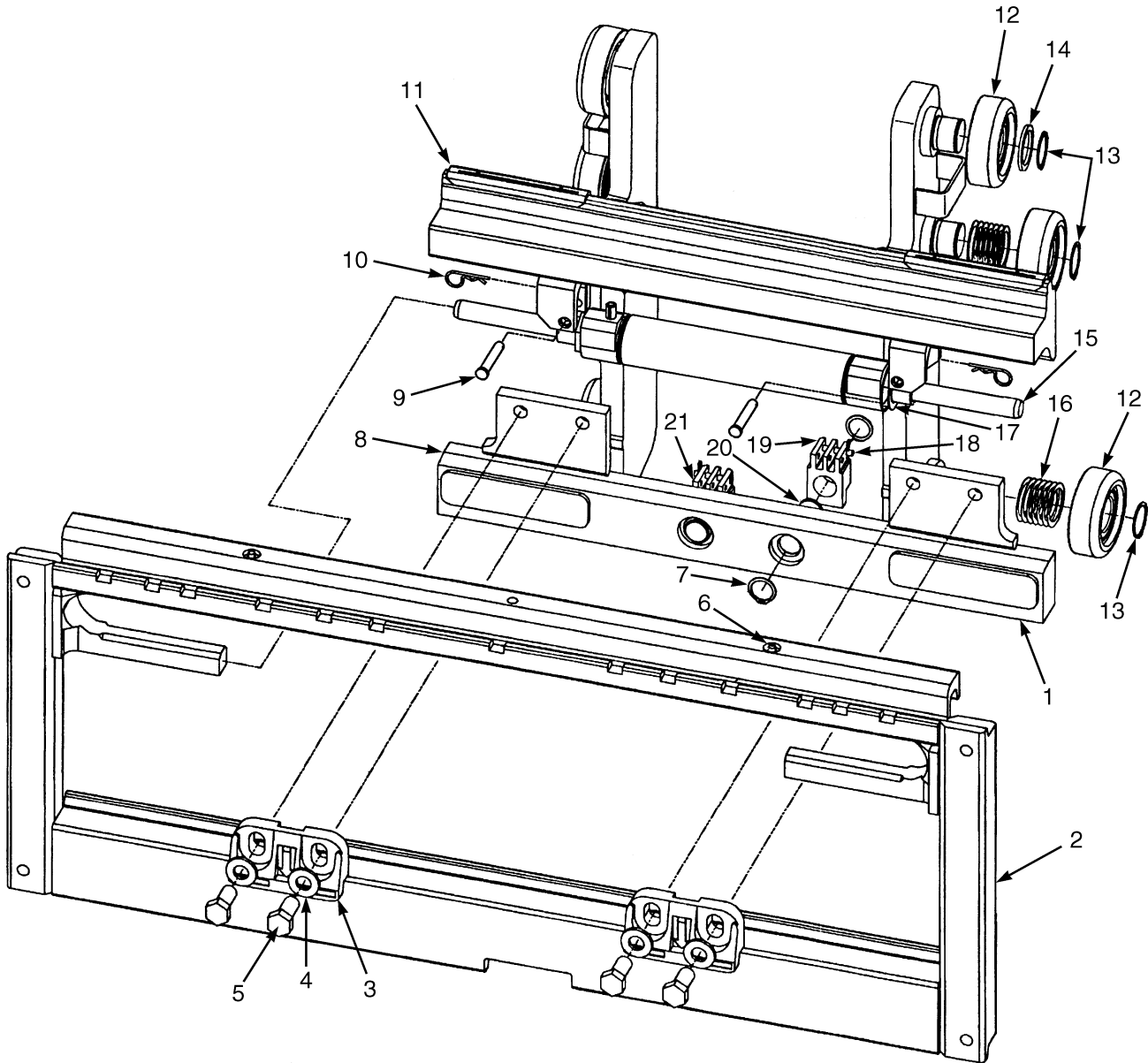


**INTEGRAL SIDE-SHIFT CARRIAGE  
THREE STAGE FULL FREE-LIFT****KEY:****A: H2.0-2.5FT (F508)****B: H3.0-3.5FT (F563)**

ITEM	PART NO.	DESCRIPTION	QTY	
			A	B
	4617799	Side-Shift Carriage (1067 mm) .....	1	..
	4621636	Side-Shift Carriage (1219 mm) .....	1	..
	4617798	Side-Shift Carriage (1067 mm) .....	..	1
	4621641	Side-Shift Carriage (1219 mm) .....	..	1
1	4046434	Carriage Wldmt (1067 mm and 1219 mm) (Inner) .....	1	..
1	4046468	Carriage Wldmt (1067 mm and 1219 mm) (Inner) .....	..	1
2	4033955	Frame (Outer) (1067 mm) .....	1	..
2	4033958	Frame Wldmt (1219 mm) (Outer) .....	1	..
2	4033960	Frame (Outer) (1067 mm) .....	..	1
2	4033957	Frame Wldmt (1219 mm) (Outer) .....	..	1
3	4611363	Hook .....	2	2
4	1581854	Washer .....	4	4
5	1581833	Capscrew .....	4	4
6	16041	Grease Fitting .....	2	2
7	131358	Snap Ring .....	4	4
8	2043533	Bearing Strip (Lower) .....	2	..
8	2043534	Bearing (Lower) .....	..	2
9	1401746	Pin .....	2	2
10	18832	Cotter Pin .....	2	2
11	2043531	Bearing Strip (Upper) .....	2	..
11	2043532	Bearing (Upper) .....	..	2
12	1333399	Load Roller ("B") (92.18 mm/91.92 mm) .....	6	6
13	58901	Snap Ring .....	6	6
14	366115	Spacer .....	2	2
15	2043528	Sideshift Cylinder Assembly (☞Figure 19-24).....	1	..
15	2043529	Sideshift Cylinder Assembly (☞Figure 19-24).....	..	1
16	129387	Shim (0.508 mm) .....	28	28
17	1498326	Shim .....	3	3
18	1514866	Pin .....	2	2
19	1369345	Chain Anchor (Dual Hole) .....	2	..
19	1504010	Chain Anchor (Single Hole) (Optional) .....	2	..
19	1369344	Chain Anchor (Dual Hole) .....	..	2
19	1504012	Chain Anchor (Single Hole) (Optional) .....	..	2
20	317735	Pin .....	2	2
21	15211	Cotter Pin .....	2	2
	a 1374797	Snap Ring .....	6	6
	a 1345216	Stubshaft .....	6	6
	a 4611880	Carriage (1067 mm) (Fork Positioner) (☞Figure 19-27).....	1	..
	a 4611882	Carriage (1067 mm) (Fork Positioner) (☞Figure 19-27).....	..	1

**FOOTNOTES:****a** Not Illustrated

## INTEGRAL SIDE-SHIFT CARRIAGE (FIGURE 19-20) TWO STAGE FULL FREE-LIFT



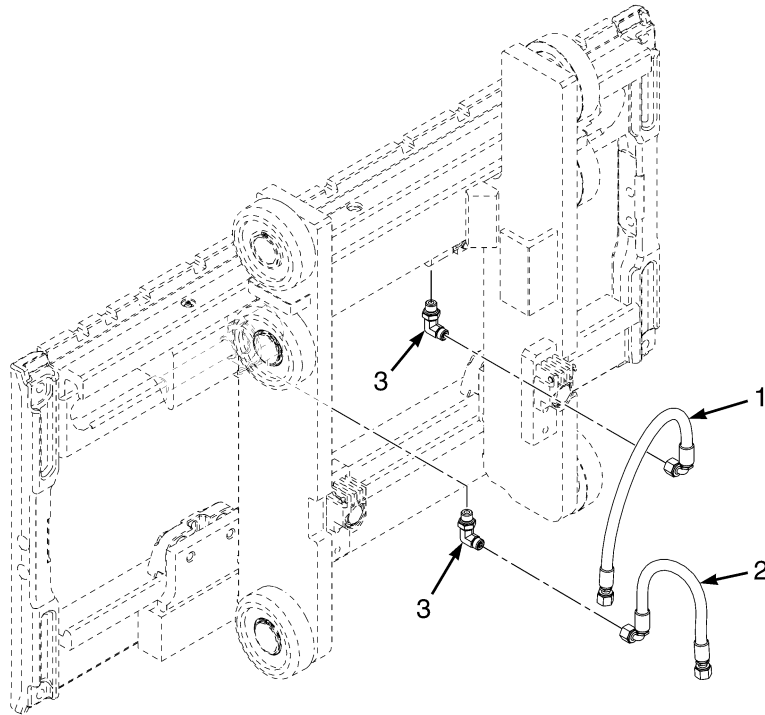
HP020344

**INTEGRAL SIDE-SHIFT CARRIAGE  
TWO STAGE FULL FREE-LIFT****KEY:****A: H2.0-2.5FT (E509)****B: H3.0-3.5FT (E564)**

ITEM	PART NO.	DESCRIPTION	QTY	
			A	B
	1486183	Side-Shift Carriage (1067 mm) .....	1	..
	1486186	Side-Shift Carriage (1219 mm) .....	1	..
	1477944	Side-Shift Carriage (1067 mm) .....	..	1
	1477946	Side-Shift Carriage (1219 mm) .....	..	1
1	1489003	Carriage Wldmt (Inner) (1067 mm, 1219 mm) .....	1	..
1	1477938	Frame (Inner) (1067 mm, 1219 mm) .....	..	1
2	4033955	Frame (Outer) (1067 mm) .....	1	..
2	4033958	Frame Wldmt (1219 mm) .....	1	..
2	4033960	Frame (Outer) (1067 mm) .....	..	1
2	4033957	Frame Wldmt (1219 mm) .....	..	1
3	4611363	Hook .....	2	2
4	296426	Washer .....	4	4
5	226458	Capscrew .....	4	2
6	16041	Grease Fitting .....	2	2
7	131358	Snap Ring .....	4	4
8	2043533	Bearing Strip (Lower) .....	2	..
8	2043534	Bearing (Lower) .....	..	2
9	1401746	Pin .....	2	2
10	18832	Cotter Pin .....	2	2
11	2043531	Bearing Strip (Upper) .....	2	..
11	2043532	Bearing (Upper) .....	..	2
12	1345219	Load Roller ("B") (111.48/111.22) .....	6	6
13	12891	Snap Ring .....	6	6
13	<b>a</b> 386422	Snap Ring (Optional) .....	6	6
14	366116	Spacer .....	2	2
15	2043528	Sideshift Cylinder Assembly (☞Figure 19-24).....	1	..
15	2043529	Sideshift Cylinder Assembly (☞Figure 19-24).....	..	1
16	1345263	Shim (0.508 mm) .....	28	28
17	1498326	Shim .....	3	3
18	1514866	Pin .....	2	2
19	1369345	Chain Anchor (Dual Hole) .....	2	..
19	1504010	Chain Anchor (Single Hole) (Optional) .....	2	..
19	1369344	Chain Anchor (Dual Hole) .....	..	2
19	1504012	Chain Anchor (Single Hole) (Optional) .....	..	2
20	317735	Pin .....	2	2
21	15211	Cotter Pin .....	2	2
	<b>a</b> 4611880	Carriage (1067 mm) (Fork Positioner) (☞Figure 19-27).....	1	..
	<b>a</b> 4611882	Carriage (1067 mm) (Fork Positioner) (☞Figure 19-27).....	..	1

**FOOTNOTES:****a** Not Illustrated

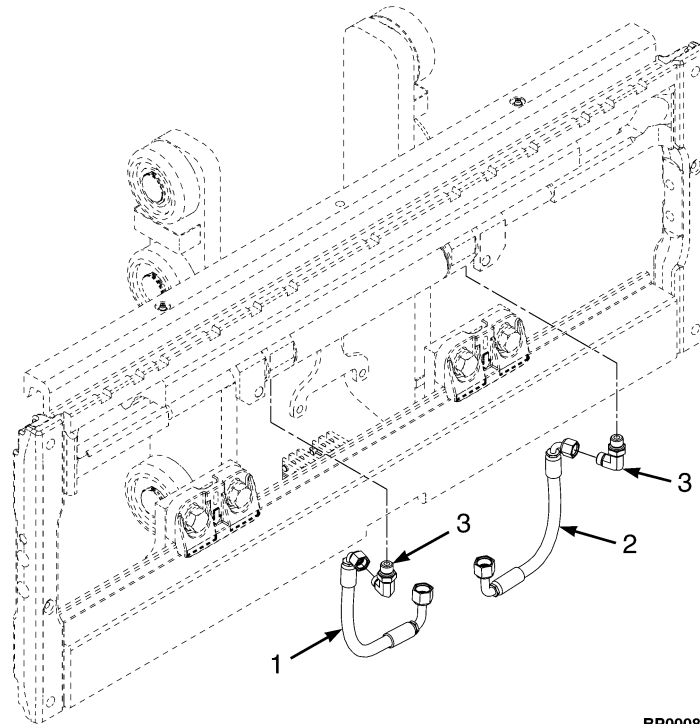
## INTEGRAL SIDE-SHIFT HYDRAULIC HOSES (FIGURE 19-21) TWO STAGE LIMITED FREE-LIFT



BP000832

ITEM	PART NO.	DESCRIPTION	QTY
1	4626625	Hose Assy .....	1
2	4626626	Hose Assy .....	1
3	1487059	Fitting .....	2

**INTEGRAL SIDE-SHIFT HYDRAULIC HOSES (FIGURE 19-22)  
THREE STAGE FULL FREE LIFT**



BP000833

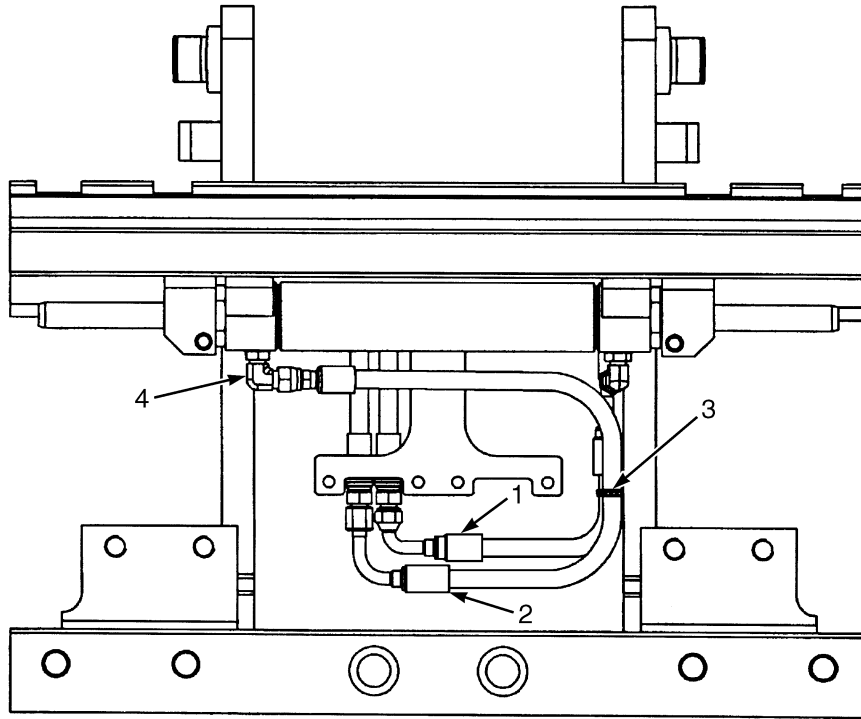
**KEY:**

**A:** H2.0-2.5FT(F508)

**B:** H3.0-3.5FT (F563)

ITEM	PART NO.	DESCRIPTION	QTY	
			A	B
1	4623988	Hose Assy .....	1	..
1	4623990	Hose Assy .....	..	1
2	4623989	Hose Assy .....	1	..
2	4623991	Hose Assy .....	..	1
3	1487059	Fitting .....	2	2

## INTEGRAL SIDE-SHIFT HYDRAULIC HOSES (FIGURE 19-23) TWO STAGE FULL FREE- LIFT



BP000003

**KEY:**

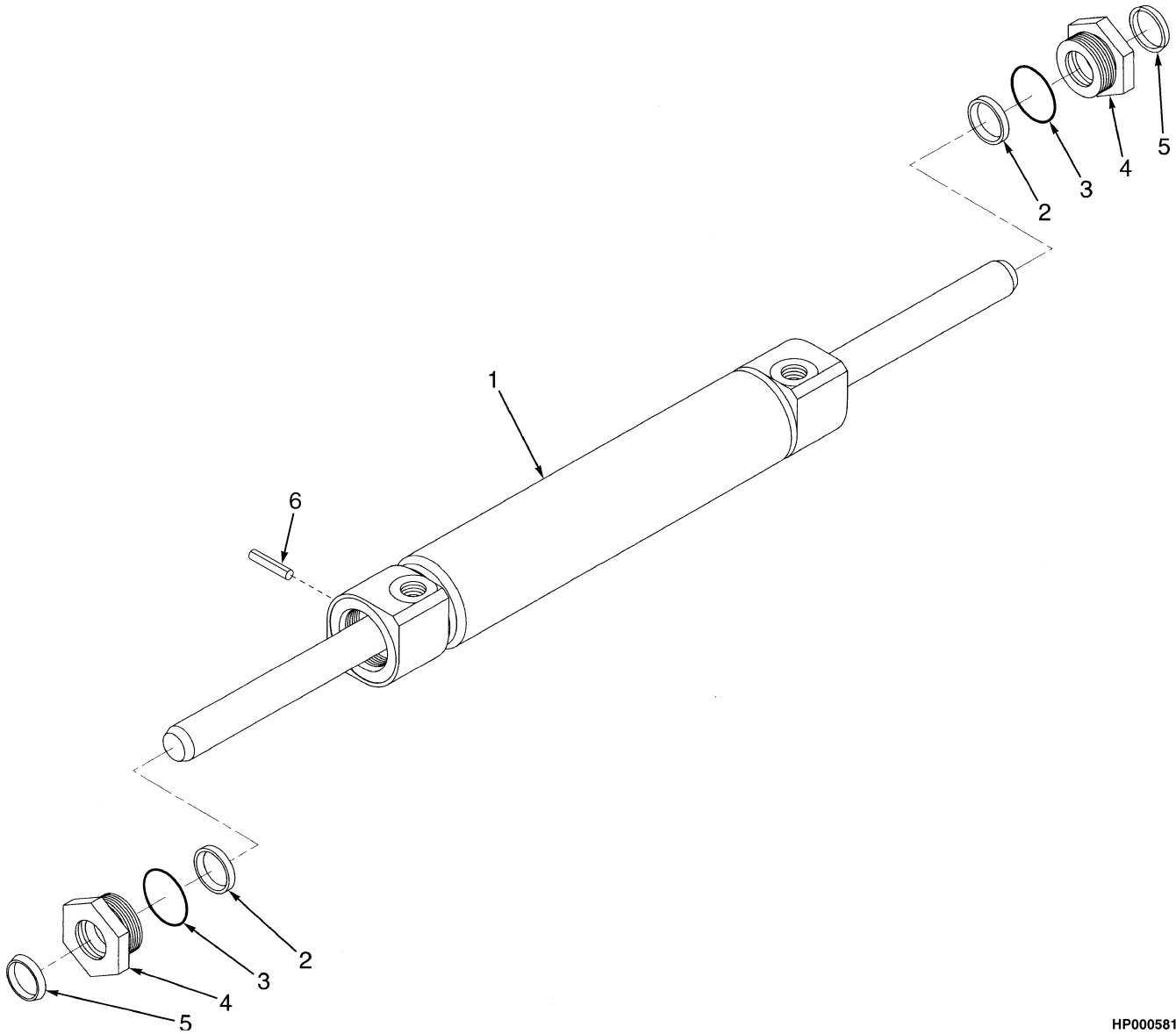
**A:** H2.0-2.5FT (E509)

**B:** H3.0-3.5FT (E564)

ITEM	PART NO.	DESCRIPTION	QTY	
			A	B
1	4612128	Hose Assy .....	1	..
1	4612129	Hose Assy .....	..	1
2	4612127	Hose Assy .....	1	..
2	4612130	Hose Assy .....	..	1
3	114312	Strap Clamp .....	1	1
4	1487059	Fitting .....	2	2



## INTEGRAL SIDE-SHIFT CYLINDER (FIGURE 19-24)



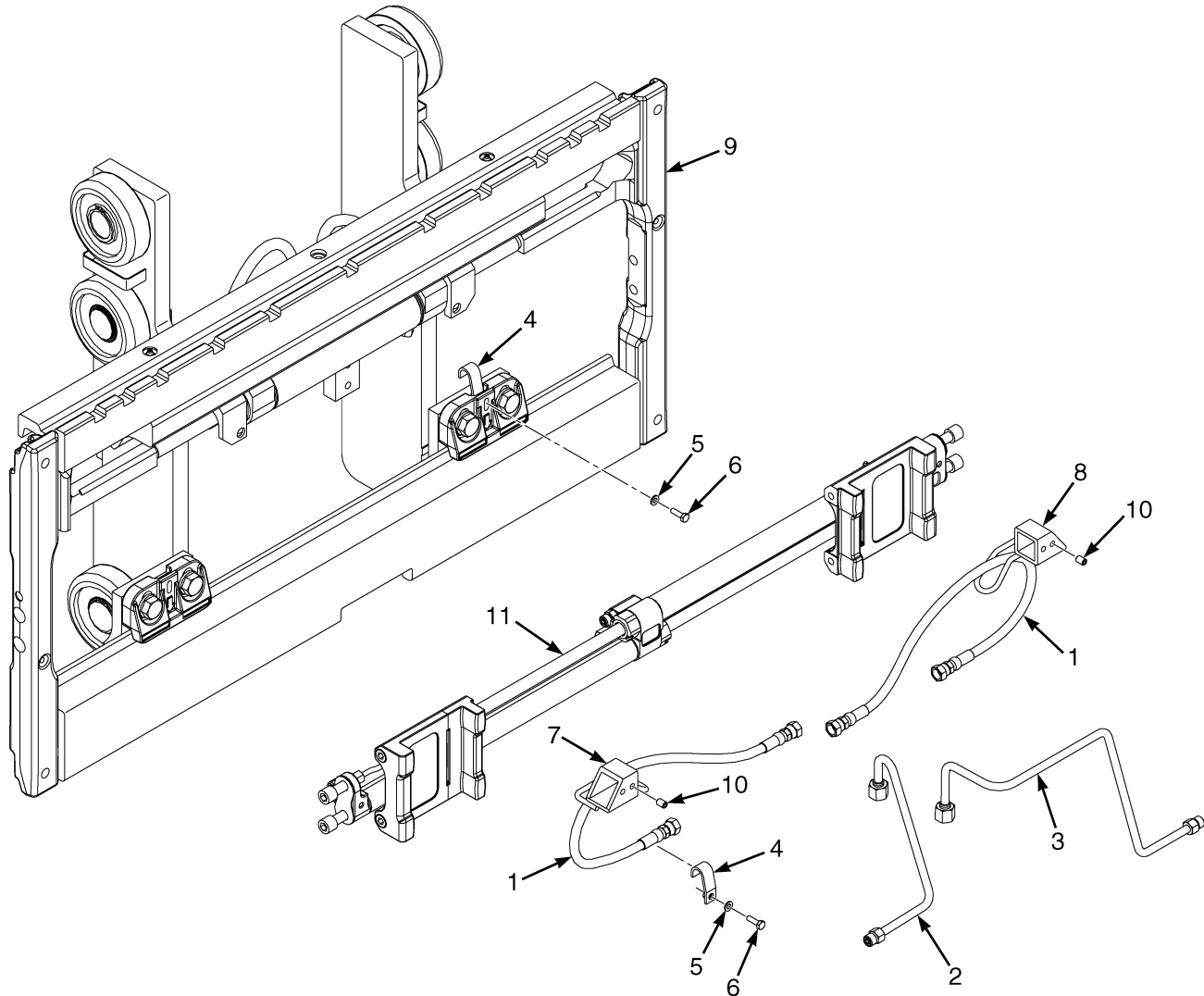
HP000581



**INTEGRAL SIDE-SHIFT CYLINDER**

<b>ITEM</b>	<b>PART NO.</b>	<b>DESCRIPTION</b>	<b>QTY</b>
	2043528	Sideshift Cylinder Assembly (H2.0-2.5FT) .....	1
	2043529	Sideshift Cylinder Assembly (H3.0-3.5FT) .....	1
1	1489016	Sideshift Cylinder .....	1
2	1489037	Rod Seal .....	2
3	1489035	O-Ring .....	2
4	1498325	Retainer .....	2
5	1489039	Rod Wiper .....	2
6	302487	Roll Pin .....	1
	1503096	Kit-Seal .....	1

## INTEGRAL SIDE-SHIFT (FIGURE 19-25) FORK POSITIONER — TWO STAGE LIMITED FREE-LIFT

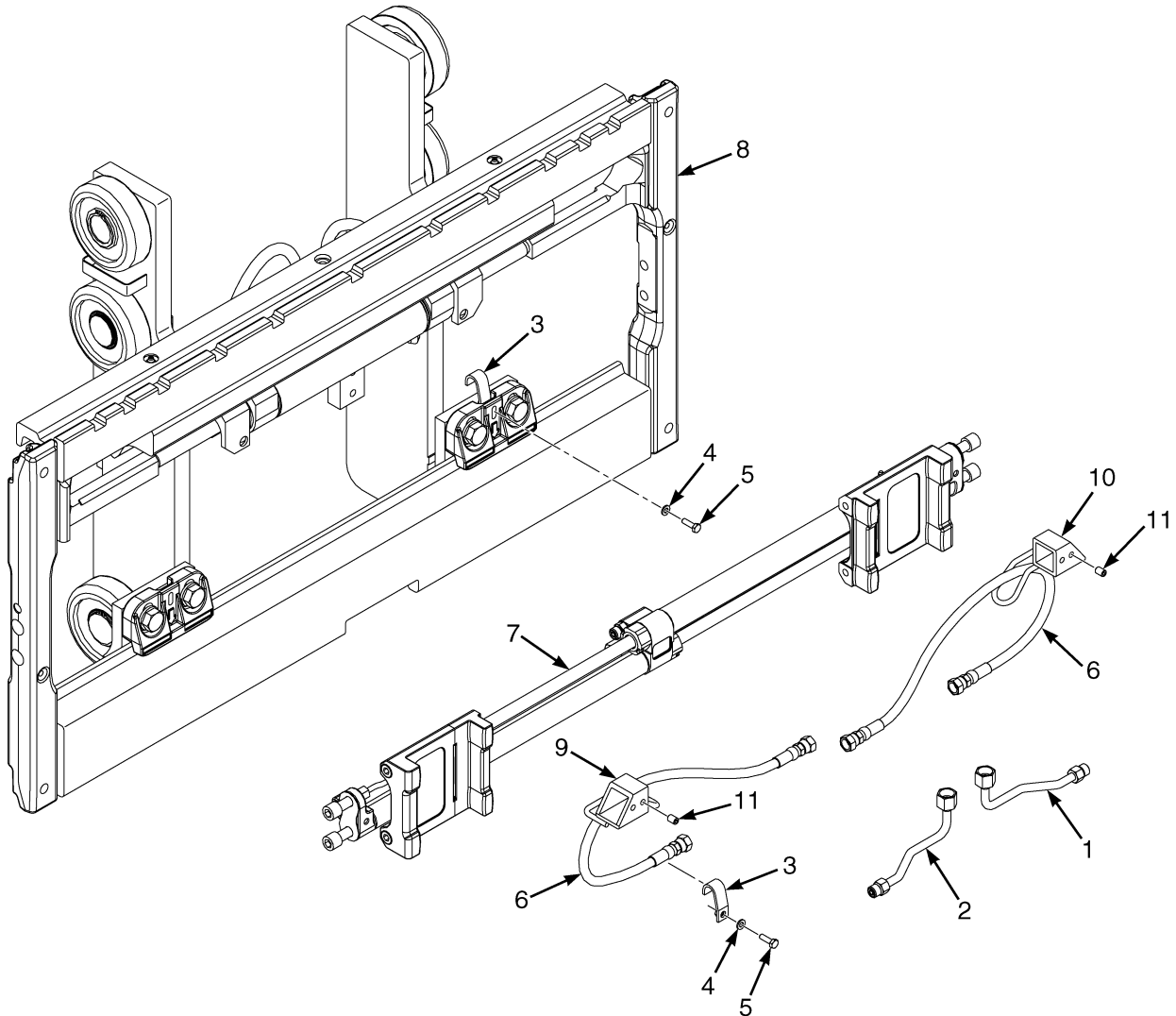


BP000831

**INTEGRAL SIDE-SHIFT  
FORK POSITIONER – TWO STAGE LIMITED FREE-LIFT****KEY:****A: H2.0-2.5FT (F507)****B: H3.0-3.5FT (F562)**

ITEM	PART NO.	DESCRIPTION	QTY	
			A	B
1	4611913	Hose Assy .....	2	2
2	4626768	Tube Assy .....	1	..
2	4626772	Tube Assy .....	..	1
3	4626769	Tube Assy .....	1	..
3	4626773	Tube Assy .....	..	1
4	4050817	Bracket Wldmt .....	2	2
5	1673754	Washer .....	2	2
6	1670032	Capscrew .....	2	2
7	4061318	Guide (Hose) (LH) .....	1	1
8	4061319	Guide (Hose) (RH) .....	1	1
9	.....	Carriage Assembly (☞ Figure 19-18).....	1	1
10	4055634	Setscrew .....	4	4
11	4611880	Carriage (1067 mm) (Fork Positioner) (☞ Figure 19-27).....	1	..
11	4611882	Carriage (1067 mm) (Fork Positioner) (☞ Figure 19-27).....	..	1
11	4034634	Kit-Service Cylinder .....	1	1

## INTEGRAL SIDE-SHIFT (FIGURE 19-26) FORK POSITIONER — THREE STAGE FULL FREE-LIFT

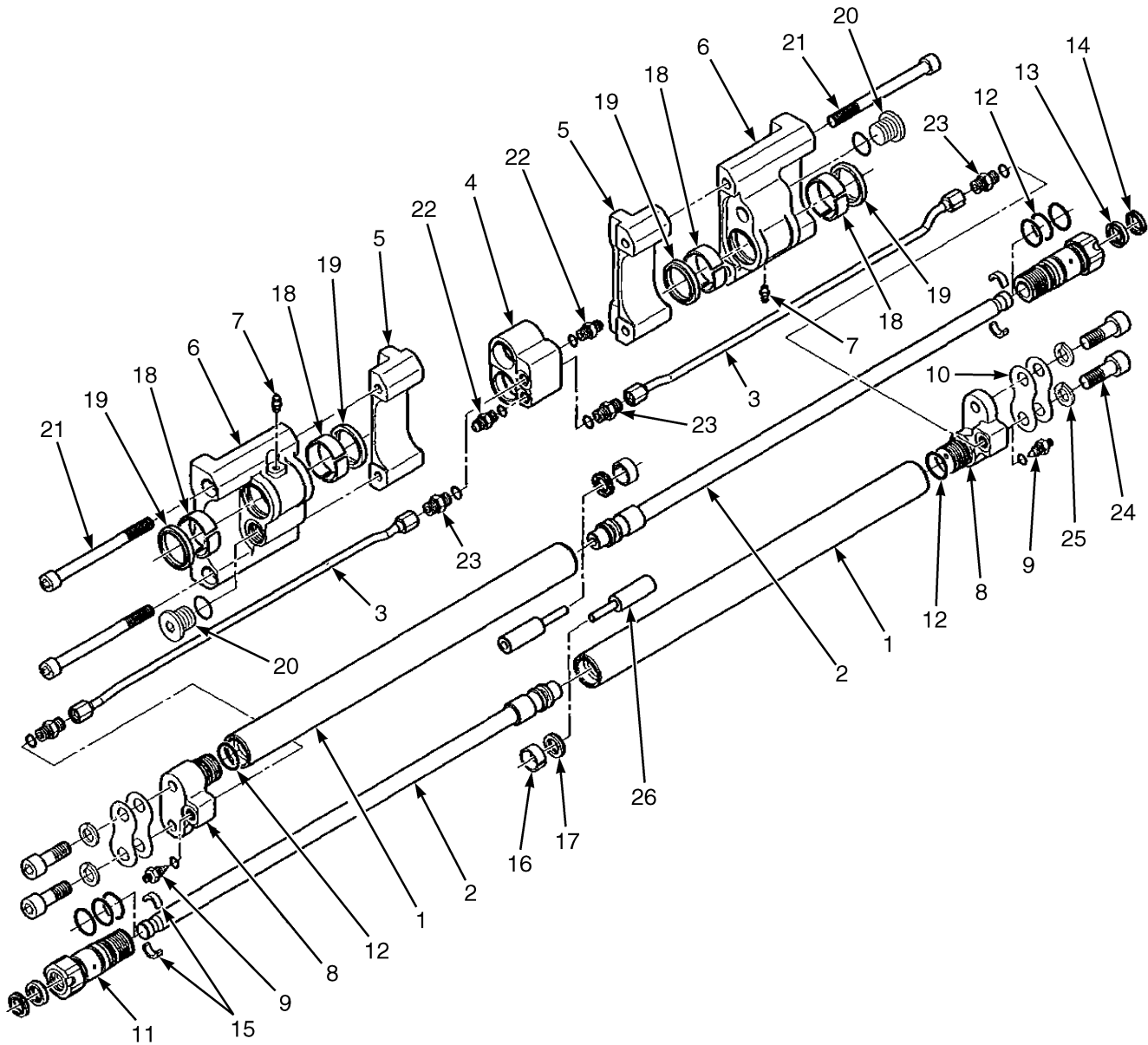


BP020071

**INTEGRAL SIDE-SHIFT  
FORK POSITIONER – THREE STAGE FULL FREE-LIFT****KEY:****A: H2.0-2.5FT (F508)****B: H3.0-3.5FT (F563)**

ITEM	PART NO.	DESCRIPTION	QTY	
			A	B
1	4633850	Tube Assy (LH) .....	1	..
1	4633852	Tube Assy (LH) .....	..	1
2	4633851	Tube Assy (RH) .....	1	..
2	4633853	Tube Assy (RH) .....	..	1
3	4050817	Bracket Wldmt .....	2	2
4	1673754	Washer .....	2	2
5	1670032	Capscrew .....	2	2
6	4611913	Hose Assy .....	2	..
6	4622266	Hose Assy .....	..	2
7	4611880	Carriage (1067 mm) (Fork Positioner) (☞Figure 19-27).....	1	..
7	4611882	Carriage (1067 mm) (Fork Positioner) (☞Figure 19-27).....	..	1
7	4034634	Kit-Service Cylinder .....	1	1
7	4034635	Kit-Bearing .....	1	1
8	.....	Carriage Assembly (☞Figure 19-19).....	1	1
9	4061319	Guide (Hose) (RH) .....	1	1
10	4061318	Guide (Hose) (LH) .....	1	1
11	4055634	Setscrew .....	4	4

## FORK POSITIONER ASSEMBLY (FIGURE 19-27)



BP000829

**FORK POSITIONER ASSEMBLY**

ITEM	PART NO.	DESCRIPTION	QTY
	4611880	Carriage (1067 mm) (H2.0-2.5FT) .....	1
	4611882	Carriage (1067 mm) (H3.0-3.5FT) .....	1
1	.....	Cylinder Shell .....	2
2	.....	Cylinder Rod .....	2
3	4084993	Tube .....	2
4	.....	Mainfold .....	1
5	.....	Inner Carrier .....	2
6	.....	Outer Carrier .....	2
7	4063703	Grease Fitting .....	1
8	.....	Cylinder Head End .....	2
9	4063717	Fitting .....	2
10	4084991	Shim .....	4
11	.....	Retainer .....	2
12	.....	O-Ring .....	8
13	.....	Rod Seal .....	2
14	.....	Rod Wiper .....	2
15	.....	Keeper .....	4
16	.....	Piston Wear Ring .....	2
17	.....	Piston Seal .....	2
18	.....	Composite Bearing .....	4
19	.....	Wiper .....	4
20	.....	Plug .....	2
21	.....	Capscrew .....	4
22	4063717	Fitting .....	4
23	4063718	Fitting .....	4
24	.....	Capscrew .....	4
25	4065036	Lockwasher .....	4
26	4084441	Spacer .....	2
	4034634	Kit-Service Cylinder .....	1
	4034635	Kit-Bearing .....	1





**20**

**FIELD CONVERSION KITS**



**SECTION 20  
FIELD CONVERSION KITS**

<b>DESCRIPTION</b>	<b>PAGE</b>
ADD ON OPTION KITS .....	20-2
AUXILIARY EXT. TUBES AND QUICK DISCONNECTS .....	20-2
ADD ON TELEMETRY KITS .....	20-3
AUDIBLE ALARM KITS .....	20-3
CONVERSION KITS	
DIRECTION CONTROL .....	20-3
ELECTRONIC HYDRAULIC CONTROLS AND CONTROL VALVES .....	20-4
MANUAL HYDRAULIC CONTROLS AND CONTROL VALVES .....	20-4
SINGLE TO DUAL PEDAL .....	20-4
WIDE TREAD AND DUAL WHEEL .....	20-4
HEADER HOSE CONVERSION KITS	
THREE STAGE FULL FREE LIFT - F508 SERIES MAST .....	20-8
THREE STAGE FULL FREE-LIFT - F563 SERIES MAST .....	20-9
TWO STAGE FULL FREE- LIFT - E509/E564 SERIES MAST .....	20-10
TWO STAGE LIMITED FREE LIFT - F507 SERIES MAST .....	20-6
TWO STAGE LIMITED FREE LIFT - F562 SERIES MAST .....	20-7
LIGHT KITS .....	20-5

## ADD ON OPTION KITS

DESCRIPTION	PART NUMBER
Kit-Air Intake W Pre-Cleaner	1583815
Kit-Powertrain Protection (English — Non US)	<b>b1585855</b>
Kit-Powertrain Protection (French Language)	<b>b1585859</b>
Kit-Powertrain Protection (German Language)	<b>b1585860</b>
Kit-Powertrain Protection (Italian Language)	<b>b1585861</b>
Kit-Powertrain Protection (Spanish Language)	<b>b1585864</b>
Kit-Lifting Eye (LPG)	1602394
Kit-Lifting Eye (Diesel or Gasoline Fuel)	1602395
Kit-Accumulator (1 Qt)	1585425
Kit-Fire Extinguisher	1580126
Kit-Fire Extinguisher (With Cab)	1635618
Kit-Load Weight on Display (Use w/E-Hydraulics Only)	<b>b1618217</b>
Kit-Oil Cooler (3rd Function)	1689549
Kit-Oil Cooler (4th Function)	1689550
Kit-Radiator Screen (Cold Climate)	1662532
Kit Liner Assembly w/Secondary Filter for 4" Air Cleaner (Diesel)	1670584
Kit Liner Assembly w/Secondary Filter for 5" Air Cleaner (Diesel)	1670585
Kit-Red Seat Belt High Visibility without Interlock	1636120
Kit-Keyswitch to Pushbutton (Pushbutton Start with Remote Key Switch)	<b>b1624521</b>
Kit-Seat-Full Susp Swivel (Vinly w/E-Hydraulics)	<b>a4060579</b>
Kit-Seat-Full Susp Swivel (Cloth w/E-Hydraulics)	<b>a4060580</b>

### FOOTNOTES:

- a** FULL SUSPENSION SWIVEL SEATS ARE NOT COMPATIBLE WITH A LOW OVERHEAD GUARD.
- b** KIT REQUIRES SOFTWARE THAT MUST BE DEALER INSTALLED. SEE KIT DRAWING FOR INSTRUCTIONS.

## ADD ON OPTION KITS AUXILIARY EXT. TUBES AND QUICK DISCONNECTS

DESCRIPTION	PART NUMBER
Kit-Quick Disconnect Fitting (Manual Hydraulics for Two Stage LFL Mast)	1550257
Kit-Aux Ext Tube (3 Func. Class II-Standard Carriage 2LFL)	4114736
Kit-Aux Ext Tube (3 Func. Class III-Standard Carriage 2LFL)	4114737
Kit-Aux Ext Tube (4 Func. Class II-Standard Carriage 2LFL)	4114738
Kit-Aux Ext Tube (4 Func. Class III-Standard Carriage 2LFL)	4114739
Kit-Aux Ext Tube (4 Func. Class II-Integral Side-Shift 2LFL)	4114744
Kit-Aux Ext Tube (4 Func. Class III-Integral Side-Shift 2LFL)	4114745
Kit-Aux Ext Tube (3 Func. Class II-Standard Carriage 3FFL)	4114920
Kit-Aux Ext Tube (3 Func. Class III-Standard Carriage 3FFL)	4114921

**ADD ON OPTION KITS  
AUXILIARY EXT. TUBES AND QUICK DISCONNECTS  
(CONTINUED)**

DESCRIPTION	PART NUMBER
Kit-Aux Ext Tube (4 Func. Class II-Standard Carriage 3FFL)	4114922
Kit-Aux Ext Tube (4 Func. Class III-Standard Carriage 3FFL)	4114923
Kit-Aux Ext Tube (4 Func. Class II-Integral Side-Shift 3FFL)	4114924
Kit-Aux Ext Tube (4 Func. Class III-Integral Side-Shift 3FFL)	4114925
Kit (Quick Disconnect Fittings Single Auxiliary E-Hydraulics)	4018147
Kit (Quick Disconnect Fittings Dual Auxiliary with E-Hydraulics)	4018148
Kit (Quick Disconnect Fittings Single Auxiliary E-Hydraulics)	4018745
Kit-Aux Ext Tube (3 Func. Class III-Standard Carriage 2FFL)	4115118
Kit-Aux Ext Tube (4 Func. Class III-Standard Carriage 2FFL)	4115119
Kit-Aux Ext Tube (4 Func. Class II-Integral Side-Shift 2FFL)	4115120
Kit-Aux Ext Tube (4 Func. Class III-Integral Side-Shift 2FFL)	4115121
Kit-Aux Ext Tube (3 Func. Class II-Standard Carriage 2FFL)	4115116
Kit-Aux Ext Tube (4 Func. Class II-Standard Carriage 2FFL)	4115117

**ADD ON TELEMETRY KITS**

DESCRIPTION	PART NUMBER
Telemetry Kit (FM1 W/GSM Cellular)	4063806
Telemetry Kit (FM1 W/WIFI)	4063807
Telemetry Kit (IC-Interlock-Hyster)	4075952
Telemetry Kit (W/ISO Prox Card Reader)	4063836
Telemetry Kit (HID Standard Prox Card Reader)	4063837
Telemetry Kit (W/IClass/MiFare Prox Card Reader)	4063838
Telemetry Kit (Hyster Check List)	4063829
Kit-Wire Harness (Reverse Telemetry)	4107715

**AUDIBLE ALARM KITS**

DESCRIPTION	PART NUMBER
Kit-Back-Up Alarm (82-102 DB(A))	1612233

**CONVERSION KITS  
DIRECTION CONTROL**

DESCRIPTION	PART NUMBER
Kit-Fwd/Rev Lever to Monotrol	a1625467
Kit-Monotrol to Fwd/Rev Lever	a1583198
Kit-Conversion Ctrl Switch to Monotrol	a4040531

**FOOTNOTES:**

- a KIT REQUIRES SOFTWARE THAT MUST BE DEALER INSTALLED. SEE KIT DRAWING FOR INSTRUCTIONS.

**CONVERSION KITS  
ELECTRONIC HYDRAULIC CONTROLS AND CONTROL VALVES**

DESCRIPTION	PART NUMBER
Kit-Mini Lever Conv 3 Way (Without Lockout to with Lockout)	a1701683
Kit-Mini Lever Conv 3 Way (With Lockout to without Lockout)	a1701682
Kit-Mini Lever Conv 3 Way (w/o Clamp to 4 Way w/o Clamp)	a4034956
Kit-Mini Lever Conv 3 Way (w/o Clamp to 4 Way w/Clamp)	a4034957
Kit-Mini Lever Conv 4 Way (With Lockout to without Lockout)	a1701684
Kit-Mini Lever Conv 4 Way (Without Lockout to with Lockout)	a1701685

**FOOTNOTES:**

- a KIT REQUIRES SOFTWARE THAT MUST BE DEALER INSTALLED

**CONVERSION KITS  
MANUAL HYDRAULIC CONTROLS AND CONTROL VALVES**

DESCRIPTION	PART NUMBER
Kit-Manual Lever Conv 3 Way (w/o Clamp to 3 Way w/Clamp)	1677913
Kit-Manual Lever Conv 3 Way (w/o clamp to 4 way w/o clamp)	1701015
Kit-Manual Lever Conv 3 Way (w/o Clamp to 4 way w/ Clamp)	1701718

**CONVERSION KITS  
SINGLE TO DUAL PEDAL**

DESCRIPTION	PART NUMBER
Kit-Dual Brake Pedal With Dry Brakes	1601231
Kit-Dual Brake Pedal With Wet Brakes	1601232
Kit-Brake (Single to Dual Pedal Inch Brake, Dry)	4007019
Kit-Brake (Dual Pedal, Wet)	4016148

**CONVERSION KITS  
WIDE TREAD AND DUAL WHEEL**

DESCRIPTION	PART NUMBER
Kit-Wide Tread (7.00x12 P Monarch Tires)	1617916
Kit-Wide Tread (28x9P Monarch or 225/75 Radial Tire)	1617917
Kit-Wide Tread (7.00 x 12 S Monarch Tires)	1617918
Kit-Wide Tread (28 x 9-15 S Hyster Europe Tires)	1617919
Kit-Single to Dual Drive Wheel (7.00 x 12 Pneu Tires)	1618087
Kit-Single to Dual Drive Wheel (7.00 x 12 Solid Tires)	1618088

**LIGHT KITS**

<b>DESCRIPTION</b>	<b>PART NUMBER</b>
Kit-Light (Halogen Front Drive/Rear Work Light, with Harness and Overhead Guard)	<b>a1583707</b>
Kit-Front Drive/Rear Worklight (LED w/o Other Lights for Overhead Guard with Harness)	<b>a1700244</b>
Kit-Light (Front Drive/Rear Work lights, w/o Harness, with Overhead Guard)	<b>a1583708</b>
Kit-Front Drive/Rear Worklight (LED with other lights for Overhead Guard, w/o Harness)	<b>a1700245</b>
Kit-Light (Brake/Tail/Back-up Lights with Harness, with Overhead Guard)	<b>a1583711</b>
Kit-Light (Brake/Tail/Back-up Lights w/o Harness with Overhead Guard)	<b>a1583712</b>
Kit-Light (Flash Tube Strobe with Other Lights and Overhead Guard, with Harness)	<b>1583709</b>
Kit-Light (Flash Tube Strobe with Other Lights and Overhead Guard, w/o Harness)	<b>1583710</b>
Kit-Strobe Light (Amber Flash Tube Strobe Light for Cab)	<b>1625728</b>
Kit-Strobe Light (Amber LED Strobe Light for Cab)	<b>1655298</b>
Kit-Light (LED Strobe w/o Other Lights for Overhead Guard with Harness)	<b>1655204</b>
Kit-Light (LED Strobe with other lights for Overhead Guard, w/o Harness)	<b>1655205</b>

**FOOTNOTES:**

- a** KIT REQUIRES SOFTWARE THAT MUST BE DEALER INSTALLED. SEE KIT DRAWING FOR INSTRUCTIONS.

## HEADER HOSE CONVERSION KITS TWO STAGE LIMITED FREE LIFT — F507 SERIES MAST

### THREE TO FOUR FUNCTION

DESCRIPTION	LIFT HEIGHT TO BOTTOM OF FORKS			
	3252 mm (128.0 in.)	3752 mm (147.7 in.)	4292 mm (169.0 in.)	4792 mm (188.7 in.)
<b>Mast Group Number</b>	<b>F507 3252</b>	<b>F507 3752</b>	<b>F507 4292</b>	<b>F507 4792</b>
Kit-Hose Group 3 TO 4 Way	4090207	4090222	4090237	4090249

### TWO TO FOUR FUNCTION

DESCRIPTION	LIFT HEIGHT TO BOTTOM OF FORKS			
	3252 mm (128.0 in.)	3752 mm (147.7 in.)	4292 mm (169.0 in.)	4792 mm (188.7 in.)
<b>Mast Group Number</b>	<b>F507 3252</b>	<b>F507 3752</b>	<b>F507 4292</b>	<b>F507 4792</b>
Kit-Hose Group 2 TO 4 Way	4090208	4090223	4090238	4090250

### TWO TO THREE FUNCTION

DESCRIPTION	LIFT HEIGHT TO BOTTOM OF FORKS			
	3252 mm (128.0 in.)	3752 mm (147.7 in.)	4292 mm (169.0 in.)	4792 mm (188.7 in.)
<b>Mast Group Number</b>	<b>F507 3252</b>	<b>F507 3752</b>	<b>F507 4292</b>	<b>F507 4792</b>
Kit-Hose Group 2 TO 3 Way	4090206	4090221	4090236	4090248



**HEADER HOSE CONVERSION KITS  
TWO STAGE LIMITED FREE LIFT — F562 SERIES MAST**

**THREE TO FOUR FUNCTION**

DESCRIPTION	LIFT HEIGHT TO BOTTOM OF FORKS			
	3059 mm (120.4 in.)	3559 mm (140.1 in.)	4059 mm (159.8 in.)	4559 mm (179.5 in.)
<b>Mast Group Number</b>	<b>F562 3059</b>	<b>F562 3559</b>	<b>F562 4059</b>	<b>F562 4559</b>
Kit-Hose Group 3 TO 4 Way	4090207	4090222	4090237	4090249

**TWO TO FOUR FUNCTION**

DESCRIPTION	LIFT HEIGHT TO BOTTOM OF FORKS			
	3059 mm (120.4 in.)	3559 mm (140.1 in.)	4059 mm (159.8 in.)	4559 mm (179.5 in.)
<b>Mast Group Number</b>	<b>F562 3059</b>	<b>F562 3559</b>	<b>F562 4059</b>	<b>F562 4559</b>
Kit-Hose Group 2 TO 4 Way	4090208	4090223	4090238	4090250

**TWO TO THREE FUNCTION**

DESCRIPTION	LIFT HEIGHT TO BOTTOM OF FORKS			
	3059 mm (120.4 in.)	3559 mm (140.1 in.)	4059 mm (159.8 in.)	4559 mm (179.5 in.)
<b>Mast Group Number</b>	<b>F562 3059</b>	<b>F562 3559</b>	<b>F562 4059</b>	<b>F562 4559</b>
Kit-Hose Group 2 TO 3 Way	4090206	4090221	4090236	4090248

## HEADER HOSE CONVERSION KITS THREE STAGE FULL FREE LIFT — F508 SERIES MAST

### THREE TO FOUR FUNCTION

DESCRIPTION	LIFT HEIGHT TO BOTTOM OF FORKS			
	4310 mm (169.7 in.)	4910 mm (193.3 in.)	5510 mm (216.9 in.)	5960 mm (234.6 in.)
<b>Mast Group Number</b>	<b>F508 4310</b>	<b>F508 4910</b>	<b>F508 5510</b>	<b>F508 5960</b>
Kit-Hose Group 3 TO 4 Way	4074119	4074131	4074143	4074152

### TWO TO FOUR FUNCTION

DESCRIPTION	LIFT HEIGHT TO BOTTOM OF FORKS			
	4310 mm (169.7 in.)	4910 mm (193.3 in.)	5510 mm (216.9 in.)	5960 mm (234.6 in.)
<b>Mast Group Number</b>	<b>F508 4310</b>	<b>F508 4910</b>	<b>F508 5510</b>	<b>F508 5960</b>
Kit-Hose Group 2 TO 4 Way	4074120	4074132	4074144	4074153

### TWO TO THREE FUNCTION

DESCRIPTION	LIFT HEIGHT TO BOTTOM OF FORKS			
	4310 mm (169.7 in.)	4910 mm (193.3 in.)	5510 mm (216.9 in.)	5960 mm (234.6 in.)
<b>Mast Group Number</b>	<b>F508 4310</b>	<b>F508 4910</b>	<b>F508 5510</b>	<b>F508 5960</b>
Kit-Hose Group 2 TO 3 Way	4074118	4074130	4074142	4074151

**HEADER HOSE CONVERSION KITS  
THREE STAGE FULL FREE-LIFT — F563 SERIES MAST**

**THREE TO FOUR FUNCTION**

DESCRIPTION	LIFT HEIGHT TO BOTTOM OF FORKS				
	3968 mm (156.2 in.)	4568 mm (179.8 in.)	4868 mm (191.7 in.)	5168 mm (203.5 in.)	5768 mm (227.1 in.)
<b>Mast Group Number</b>	<b>F563 3968</b>	<b>F563 4568</b>	<b>F563 4868</b>	<b>F563 5168</b>	<b>F563 5768</b>
Kit-Hose Group 3 TO 4 Way	4074119	4074131	4074137	4074143	4074155

**TWO TO FOUR FUNCTION**

DESCRIPTION	LIFT HEIGHT TO BOTTOM OF FORKS				
	3968 mm (156.2 in.)	4568 mm (179.8 in.)	4868 mm (191.7 in.)	5168 mm (203.5 in.)	5768 mm (227.1 in.)
<b>Mast Group Number</b>	<b>F563 3968</b>	<b>F563 4568</b>	<b>F563 4868</b>	<b>F563 5168</b>	<b>F563 5768</b>
Kit-Hose Group 2 TO 4 Way	4074120	4074132	4074138	4074144	4074156

**TWO TO THREE FUNCTION**

DESCRIPTION	LIFT HEIGHT TO BOTTOM OF FORKS				
	3968 mm (156.2 in.)	4568 mm (179.8 in.)	4868 mm (191.7 in.)	5168 mm (203.5 in.)	5768 mm (227.1 in.)
<b>Mast Group Number</b>	<b>F563 3968</b>	<b>F563 4568</b>	<b>F563 4868</b>	<b>F563 5168</b>	<b>F563 5768</b>
Kit-Hose Group 2 TO 3 Way	4074118	4074130	4074136	4074142	4074154

**HEADER HOSE CONVERSION KITS  
TWO STAGE FULL FREE- LIFT — E509/E564 SERIES MAST****THREE TO FOUR FUNCTION**

DESCRIPTION	LIFT HEIGHT TO BOTTOM OF FORKS	
	3060 mm (120.5 in.)	3262 mm (128.4 in.)
<b>Mast Group Number</b>	<b>E564 3060</b>	<b>E509 3262</b>
Kit-Hose Group 3 to 4 Way	1585074	1585074

**TWO TO FOUR FUNCTION**

DESCRIPTION	LIFT HEIGHT TO BOTTOM OF FORKS	
	3060 mm (120.5 in.)	3262 mm (128.4 in.)
<b>Mast Group Number</b>	<b>E564 3060</b>	<b>E509 3262</b>
Kit-Hose Group 2 to 4 Way	1585075	1585075

**TWO TO THREE FUNCTION**

DESCRIPTION	LIFT HEIGHT TO BOTTOM OF FORKS	
	3060 mm (120.5 in.)	3262 mm (128.4 in.)
<b>Mast Group Number</b>	<b>E564 3060</b>	<b>E509 3262</b>
Kit-Hose Group 2 to 3 Way	1585073	1585073





**SECTION 21  
NUMERICAL INDEX**

<b>PART NO.</b>	<b>PAGE</b>	<b>ITEM</b>	<b>PART NO.</b>	<b>PAGE</b>	<b>ITEM</b>	<b>PART NO.</b>	<b>PAGE</b>	<b>ITEM</b>	<b>PART NO.</b>	<b>PAGE</b>	<b>ITEM</b>
126	6-17	12	15931	5-23	12		11-5	7	18471	1-19	20
12891	16-21	4		6-21	12		11-7	7		1-21	17
	17-23	3	16040	15-57	6		11-9	8		1-23	18
	19-35	14		15-57	6		11-9	10		1-29	23
	19-39	13	16041	18-3	18		11-11	13	18498	10-11	7
13957	13-15	31		19-35	12		11-17	6	18515	4-15	3
	16-3	8		19-37	6		11-19	1	18735	1-19	9
	17-3	10		19-39	6		11-27	19		1-21	12
	18-3	18	16078	8-2	2		11-36	2		1-23	16
14303	6-9	4		8-5	2		18-11	18	18738	1-29	19
14310	5-13	14		9-6	2	16486	11-15	15	18748	15-33	3
	5-17	14		10-3	3		11-17	3	18832	19-35	10
14349	5-13	5	16079	8-2	1		11-27	2		19-37	10
	5-18	6		8-5	1		11-27	37		19-39	10
14358	5-13	7		9-6	1		14-15	5	18909	15-5	17
	5-17	7		10-3	2		14-15	13	19901	1-19	14
	5-18	3		10-3	3		14-17	6		1-21	14
	5-19	3	16121	6-9	5		14-17	7		1-24	29
14372	5-19	6	16134	5-13	16		14-17	11	21420	12-21	23
14385	3-3	26		5-17	16		14-17	12	28584	6-9	7
	3-5	26		5-25	33		17-7	7	30273	13-15	20
14591	15-15	7		5-27	47	16487	14-11	30	34507	5-25	16
14603	17-7	7	16143	5-9	14	16682	11-29	8		5-27	19
15055	15-40	2	16150	6-3	22	16706	15-37	6	37752	16-5	10
	15-55	4		9-3	12		15-39	2		17-13	6
15127	1-19	23		9-5	12	16708	5-23	13		18-7	8
15155	10-11	6	16151	5-17	5		6-21	13	39352	13-15	26
15175	3-7	17		5-19	14	16764	5-9	13	39374	12-10	3
	3-9	17		6-5		16863	5-25	34		15-59	3
	10-11	5		12-21	24		5-27	43	39375	11-17	20
15211	16-3	12	16481	11-15	27	16865	5-23	9	39389	12-10	6
	16-21	10		14-11	27		6-21	9		16-14	15
	17-13	10		14-11	31	16982	18-11	19	43207	11-17	14
	17-23	10		15-15	7	16983	11-29	2		11-21	21
	18-3	6		15-17	3	16984	15-3	13		11-23	21
	18-9	8		15-17	7	17221	14-15	8		11-31	21
	18-15	20	16483	11-15	26		14-17	18		11-33	2
	18-31	11		14-15	8	17223	11-3	10		11-35	2
	19-35	21		14-17	18		11-9	10	43208	11-17	25
	19-37	21		15-17	7	17350	5-17	19	43209	11-27	6
	19-39	21	16484	11-5	11	17652	6-3	8		11-29	3
15223	17-13	13		11-7	11	17758	14-15	5	44306	11-15	11
	18-9	9		15-5	6		14-17	11		11-29	4
15225	13-15	11		15-17	5	17775	14-15	13	44307	11-17	19
15227	13-15	25		15-17	5		14-17	12		11-29	20
15242	12-17	13		15-17	5	18462	1-19	19	44308	11-17	23
15871	6-3	17		15-18	26		1-21	15	44309	11-27	8
15880	17-16	12	16485	11-3	7		1-23	21	44310	11-29	16
	18-23	4		11-3	10		1-29	22	44542	13-15	18

## NUMERICAL INDEX (continued)

PART NO.	PAGE	ITEM	PART NO.	PAGE	ITEM	PART NO.	PAGE	ITEM	PART NO.	PAGE	ITEM
46388	15-59	7		18-20	16		11-7	12	148606	7-83	1
53162	5-23	8	97999	5-25	30		11-9	11	148609	10-7	8
	6-21	8		5-27	45		11-11	7	148611	10-7	1
55434	15-57	11	98525	13-15	14	131358	16-7	10	148614	9-9	1
58901	16-3	3	101809	5-25	5		16-21	5		9-9	10
	16-5	3		5-27	3		17-7	18	148789	8-2	2
	17-3	8	104506	16-5	7		17-14	23		8-5	2
	17-5	3		17-3	3		17-23	8		9-6	2
	18-3	4		18-11	20		18-12	21		10-3	3
	18-7	4	104681	11-17	29		18-16	36	148792	9-6	1
	18-9	3	110322	13-13	4		18-31	6		10-3	2
	18-31	5	112989	5-3	11		19-35	19	148795	8-2	1
	19-37	13	114312	1-19			19-37	7		8-5	1
				1-24			19-39	7	148962	11-29	29
58903	13-15	6		19-42	3	131715	16-5	5	153069	5-10	7
58916	11-17	22		14-11	32		17-3	4		5-14	7
59229	16-10	15	117989	13-17	7		18-11	7		9-3	27
	16-14	15	118358	11-15	10	131716	16-5	5		9-5	27
	17-9	9	118361	1-87	9		17-3	4	154355	17-14	25
	17-11	8	118389	11-21	17		18-11	7	154375	15-59	8
	18-20	16	124603	11-23	17	134675	15-57	8	156194	13-15	16
60563	15-57	11		11-31	17	134810	10-15	5	156195	13-15	15
61141	2-29	18		11-33	18	135158	12-17	4	159708	4-27	9
	2-49	4		11-35	17	136681	1-55	9	160266	15-5	29
63081	11-19	6		1-84	10		1-57	6	160653	12-27	4
63117	2-5	18	125305	15-3	8		11-17	39		12-29	4
	2-7	18	127918	6-17	14		11-29	34	161003	17-13	12
	3-7	6	128263	1-89	12	136687	1-55	15		18-9	11
	3-7	16	128408	5-3	16		1-57	13	161884	13-19	5
	3-9	8		8-2	2		1-61	8		13-21	5
	3-9	16		8-5	2		10-3	8	161885	13-19	4
	4-5	11		10-3	3		12-3	12		13-21	4
	4-7	3		11-11	15	136985	3-25	6	161889	12-27	5
	4-9	11		16-5	11		11-29	12		12-29	5
69029	13-15	24	129361	18-7	9	137852	17-19	12		12-31	5
77442	15-37	3		16-3	4	138710	1-84	9	161890	12-27	4
	15-39	12	129387	16-5	4		1-89	17		12-29	4
	15-47	10		17-3	7	140612	15-5	20		12-31	4
	15-49	5		17-5	4	140660	1-47	18	161894	13-19	5
	15-50	8		18-3	5	141331	5-6	5		13-21	5
	15-53	8		18-7	5		6-7	1	163970	13-15	19
77443	15-37	5		18-9	5	142247	15-57	8	164488	5-13	12
	15-39	11		18-31	7	145481	11-17	35		5-17	12
	15-49	4		19-37	16		11-29	17		12-19	4
	15-50	9	129684	1-47	24	146540	19-8	1	164639	13-15	17
	15-53	9	129892	7-84	2	147006	8-10	51	164840	17-16	13
86229	11-15	22	130845	1-84	2	147972	17-9	10		18-23	5
	11-27	10		1-89	9		17-11	9	165991	6-3	21
88441	18-7	9		2-9	31	147973	13-17	6	166285	1-89	22
89220	13-13	9		5-9	1		15-61	9		9-6	2
90263	17-16	12		11-3	11		17-16	13	166857	4-11	20
	18-23	4		11-5	12		18-23	5		14-11	25
92861	16-10	15									



**NUMERICAL INDEX (continued)**

<b>PART NO.</b>	<b>PAGE</b>	<b>ITEM</b>	<b>PART NO.</b>	<b>PAGE</b>	<b>ITEM</b>	<b>PART NO.</b>	<b>PAGE</b>	<b>ITEM</b>	<b>PART NO.</b>	<b>PAGE</b>	<b>ITEM</b>
168718	6-9	15		15-40	3	226458	19-39	5		15-17	5
	14-11	39	204223	8-2	1	226986	13-15	27		15-17	11
169874	1-19	4		8-5	1	227157	1-29	4		15-17	21
	1-21	18		9-6	1		1-29	13		15-17	26
	1-23	20		10-3	2	233683	14-11	30	268619	13-17	5
	1-29	26	210641	15-5	31	233693	11-15	12		15-61	8
170658	1-107	1	213099	11-27	13		11-17	6	275493	7-29	14
173056	11-15	4	215211	16-5	6		11-19	1		7-33	11
175861	15-23	8		17-3	5		11-27	19		7-37	4
	15-27	8		18-11	6		11-29	44		7-41	4
175944	7-84	3	220428	5-23	7		11-36	2		7-45	7
	10-15	3		6-21	7	234038	12-17	12		7-47	9
178119	1-89	14	221353	1-19	11	235691	11-17	4		7-58	24
	17-14	29		1-21	9		11-27	16		7-64	15
180176	16-5	11		1-24	25		11-29	43		7-70	24
	18-7	9	221530	1-19	13		11-37	4		7-76	24
	18-15	3		1-24	26		14-15	16		7-84	4
180177	17-13	7	221536	1-19	3	237812	15-61	6		8-10	44
180217	18-15	3		1-21	11	239222	11-11	13		9-11	31
181045	10-15	4		1-24	27	239503	1-61	9		9-13	6
181046	10-15	6	221542	1-21	2		1-63	29	275494	8-10	45
181899	15-6	38	221771	1-101	3		1-71	9		9-11	33
184451	5-25	14	222442	11-15	27		14-3	22		9-13	8
	5-27	17	222443	11-15	26		14-11	22	275495	7-29	10
187388	16-9	7	222444	11-15	15	240724	14-19	8		7-33	5
	16-13	7		11-27	2	246108	5-25			7-45	2
	17-16	4	222480	6-9	8		5-28			7-47	2
	18-19	7	222491	14-11	27	249289	13-15	12		7-58	23
	18-24	13	222493	11-5	11	251099	5-21	11		7-64	26
188210	11-29	2		11-7	11		5-23	30		7-70	23
188515	15-37	7	222500	19-23	13		6-19	11		7-76	23
	15-39	14		19-25	13		6-21	30		8-10	47
190382	10-7	3		19-27	13	251979	11-12			9-11	35
	10-7	4		19-29	13	252729	15-17	14	275496	7-29	7
190383	7-3	18		19-31	13		17-7	8		7-33	6
	8-9	30		19-33	13		18-11	18		7-37	8
	9-13	2	222501	19-23	7		18-11	19		7-41	8
	10-7	22		19-25	7		19-13	5		7-58	14
	10-15	2		19-27	7	257913	16-9	5		7-63	10
190580	18-24			19-29	7		16-13	5		7-70	14
190887	17-9	3		19-31	7		18-19	5		7-76	14
	17-11	3		19-33	7	264134	5-28			8-10	50
	17-16	3	222505	14-17	7		11-13			9-11	36
	18-24	15	222509	14-11	31		11-24		275497	7-29	19
192877	15-57	10	222510	15-3	6	264159	12-17			7-33	15
197327	16-5	11		15-5	6		15-3			7-37	18
198678	15-5	36	222512	2-9	30		15-6			7-41	20
	15-6			11-3	7	264973	13-15	3		7-58	15
199852	15-61	3		11-5	7	265731	14-15	12		7-63	11
199917	15-5	28		11-7	7		14-17	17		7-64	25
203230	13-13	4		11-9	8		15-17	5		7-70	15
204128	11-15	27	222586	15-5	26	265787	15-17	5		7-76	15

## NUMERICAL INDEX (continued)

PART NO.	PAGE	ITEM	PART NO.	PAGE	ITEM	PART NO.	PAGE	ITEM	PART NO.	PAGE	ITEM
	9-11	34		9-3	6		11-17	37		3-11	3
275498	8-10	53		9-5	6		11-27	30		4-11	28
	9-11	37		11-17	36		11-36	8	296419	1-59	8
275499	7-59	36		19-8	4	293762	6-15	12	296420	2-13	9
	7-63	14	292680	11-15	35	293796	15-17	25		3-10	8
	7-71	36		11-17	9		15-21	7		3-25	13
	7-77	36		11-27	20	293799	15-34	4		11-12	3
	8-10	52		11-29	28	295649	17-9	2		15-3	16
	9-11	44		12-3	13		17-11	2		15-6	
280154	17-7	8	292681	3-25	3	296001	2-9	22	296422	2-11	4
287816	6-15	10		11-11	11	296010	11-11	12		2-13	11
287851	1-61	1		11-15	18	296026	15-5	30		2-13	15
	3-25	4		11-17	40	296032	1-9	28		12-17	2
	7-11	14		11-29	33	296047	11-24	8	296423	1-101	4
287860	11-17	27		11-37	2	296130	19-5	5	296424	3-25	15
292500	11-15	34	292682	2-13	7	296137	12-17	7	296426	12-17	11
	11-17	8		3-25	5	296151	5-13	15		12-21	18
	11-27	25		11-17	28		5-17	15		19-39	4
	11-29	36		11-27	18	296152	5-18	8	296434	12-3	2
292501	1-61	6		11-29	11		5-19	8		12-15	5
292505	19-23	5	292683	2-5	5	296157	1-49	11	296507	19-8	3
	19-25	5		2-7	5		1-51	11	297531	16-9	6
	19-27	5		4-5	9	296165	1-29	9		16-13	6
	19-29	5		4-9	9	296229	1-69	6		17-16	5
	19-31	5		11-13	6		1-71	14		18-19	6
	19-33	5		11-24	6	296357	1-19	7		18-24	12
292508	16-17	22	293615	11-15	19		1-21	6	297538	17-16	7
	18-28	44	293616	12-3	7		1-24	32		18-24	11
292509	11-27	29		12-15	2	296359	1-49	10	297649	16-3	13
292513	15-3	17	293618	11-37	1		1-51	10		17-13	11
	15-6		293619	1-47	3	296360	1-29	6		18-3	9
292515	11-27	22	293622	4-11	27		1-29	20		18-9	10
292516	11-29	13		11-15	33	296378	5-21	13		18-15	18
292517	2-13	6	293623	3-11	4		5-23	20	300751	13-15	9
	3-25	7	293624	11-29	40		6-15	4	300752	13-15	7
292522	11-27	23	293626	3-25	14		6-19	13	300765	13-15	28
292531	11-13	7	293630	3-10	7		6-21	20	300766	13-15	13
	11-24	7	293646	12-21	1		14-9	4	300767	13-15	2
292607	1-5	2	293648	13-15	37		14-19	4	300794	2-11	3
292612	1-5	2	293651	12-17	3	296379	10-3	16	300937	1-101	5
292660	12-3	4	293686	12-21	17	296380	7-3	13		13-15	39
	12-15	4		13-15	5		8-2	5	300982	15-57	19
292667	1-63	35	293692	12-17	10		8-5	5		16-3	5
	1-72		293697	11-13	5		9-6	5		17-3	9
292668	6-15	6		11-24	5		10-4	34		18-3	13
	14-3	26	293698	2-11	5	296382	8-2	10	302015	9-3	20
	14-11	18		3-10	2		9-3	23		9-5	20
292672	4-25	16		4-13	4		9-5	23		10-4	22
292676	10-4	21	293701	4-13	5		9-7	13	302019	1-63	22
292678	1-49	17	293733	12-3	3	296415	1-59	15	302020	2-9	17
	1-51	17		12-15	6		1-63	34	302023	3-3	9
292679	6-15	5	293741	11-15	31	296418	1-47	2		3-5	9

**NUMERICAL INDEX (continued)**

<b>PART NO.</b>	<b>PAGE</b>	<b>ITEM</b>	<b>PART NO.</b>	<b>PAGE</b>	<b>ITEM</b>	<b>PART NO.</b>	<b>PAGE</b>	<b>ITEM</b>	<b>PART NO.</b>	<b>PAGE</b>	<b>ITEM</b>
	4-11	22		1-29	7		15-27	14	353206	1-91	18
302027	10-3	5		1-29	21	320165	11-13	4	356505	17-14	24
302047	1-69	8	314773	10-15	10		11-24	4	360387	5-23	16
	1-72	44	316448	19-5	8	320264	12-17	5		6-21	16
302323	19-5	4	316826	1-29	15	320289	15-37	10		11-12	
302374	11-37	12	316834	15-23	3		15-39	8	362255	1-7	14
302385	12-17	19		15-27	3	322824	16-10	13	364868	1-9	16
	12-21	8	316835	1-63	32		18-20	14	366115	18-31	4
302398	7-21	3		1-71	20	322902	16-10	11		19-37	14
	14-3	19	317735	17-23	7		18-20	12	366116	16-21	3
	14-11	1		18-31	10	323090	17-7	13		17-23	5
302399	6-15	11		19-35	18	325699	5-23	10		19-35	16
	19-23	6		19-37	20		6-21	10		19-39	14
	19-25	6		19-39	20	325789	10-7	24	367224	10-4	29
	19-27	6	320076	18-15	3	325804	14-15	23	369804	2-9	25
	19-29	6	320152	9-3	21		14-17	24		3-3	5
	19-31	6		9-5	21		15-17	19		3-5	5
	19-33	6		10-4	20	325897	14-3	14		4-11	9
302400	1-69	12	320154	2-9	18	329069	1-9	11		15-3	2
	6-17	10		3-3	8		1-9	25		15-5	2
302428	15-23	9		3-5	8		5-21	10		15-5	18
	15-27	9		4-11	23		5-23	29		16-17	21
302437	5-23	17		10-3	6		6-19	10	369815	2-9	10
	6-21	17	320155	5-18	7		6-21	29		3-3	23
302443	5-21	2		5-19	7	334450	11-17	12		3-5	23
	6-19	2		19-8	5	334560	11-17	11		4-11	12
302461	17-13	4	320156	1-55	14		11-29	26	370646	7-83	10
	17-20	24		1-57	12	335012	16-10	8	374923	5-6	1
302465	18-16	27		1-61	5		16-13	8		5-9	19
302468	5-27	25		1-69	9		16-14	13		6-7	2
302487	19-45	6		1-71	43		18-20	8	375634	13-17	1
303100	11-29	22		6-17	21	335661	16-5	12	375635	13-17	8
303150	2-13	12		15-23	4		18-7	10	381298	13-15	10
	3-25	8		15-27	4	336550	2-9	12	383789	12-17	
	11-15	13	320157	1-91	17		3-3	18	386422	16-21	4
	11-17	34		4-15	2		3-5	18		17-23	
	11-19	9		7-11	14		4-11	14		19-35	14
	11-27	17		11-27	28	341462	15-37	13		19-39	13
304526	17-7	19	320158	1-57	5	345453	2-9	13	389688	1-107	2
	17-13	5		1-61	2		3-3	19	399898	2-13	10
	18-7	11		1-63	30		3-5	19	636941	17-16	8
306113	15-23	12		1-71	5		4-11	15		18-24	10
	15-27	12	320159	2-5	21	345454	2-9	14	637565	17-16	10
309062	17-16	9		2-7	21		3-3	20		18-23	8
	18-24	9		3-7	5		3-5	20	637635	16-9	6
309109	15-23	16		4-5	20		4-11	16		16-13	6
	15-25	11		4-7	6	345455	2-9	11		18-19	6
	15-27	17		10-11	9		3-3	17		18-24	12
	15-29	12	320160	1-29	16		3-5	17	638246	16-9	8
313828	1-19	16		1-98	3		4-11	13		16-13	8
	1-21	8	320161	13-15	38	346656	10-11	10		18-19	8
	1-23	13		15-23	13	353000	6-9	9	806426	8-2	1

## NUMERICAL INDEX (continued)

PART NO.	PAGE	ITEM	PART NO.	PAGE	ITEM	PART NO.	PAGE	ITEM	PART NO.	PAGE	ITEM
	8-2	2		10-7	15		7-76	18	1330033	6-11	6
	8-5	1	1323579	7-58	11		7-76	20	1330281	7-54	2
	8-5	2		7-58	12		7-77	38		7-58	11
	9-6	1		7-58	19		7-83	8		7-58	12
	9-6	2		7-58	20		7-84	1		7-58	17
	10-3	2		7-64	17		8-7	4		7-58	19
	10-3	3		7-64	18		9-10	18		7-59	37
806427	8-9	32		7-64	22		9-11	30		7-64	17
866401	7-80	12		7-64	23	1327246	12-21	13		7-64	18
	7-83	4		7-70	11	1327957	10-7	18		7-64	20
	7-83	5		7-70	12	1327959	9-10	18		7-64	22
	9-10	23		7-70	19	1329147	7-83	8		7-65	35
878258	3-7	21		7-70	20		7-84	1		7-70	11
	3-9	21		7-76	11	1329150	7-58	18		7-70	12
930591	7-49	3		7-76	12		7-59	38		7-70	17
	7-49	6		7-76	19		7-64	21		7-70	19
980542	12-27	5		7-76	20		7-70	18		7-71	37
	12-29	5		9-10	18		7-71	38		7-76	11
986559	18-15	3	1323581	7-80	13		7-76	18		7-76	12
1300094	1-105	9	1323586	10-7	16		7-77	38		7-76	17
1300134	7-83	2	1324309	7-33	16	1329151	7-54	2		7-76	19
1301601	6-9	14		7-33	17		7-58	17		7-77	37
1302024	7-13	10		7-37	10		7-58	18		9-10	18
	7-15	14		7-37	11		7-59	37	1330283	7-80	13
1303158	1-47	20		7-41	12		7-59	38		7-83	2
1304971	1-9	7		7-41	13		7-64	20		7-83	10
1307737	1-95	1	1324310	7-33	16		7-64	21		9-13	1
1308260	10-15	9		7-33	17		7-65	35	1330292	7-83	2
1310142	7-83	3		7-37	10		7-65	36		7-83	10
1310599	13-15	29		7-37	11		7-70	17	1330293	7-83	2
1311213	1-49	18	1324311	9-9	2		7-70	18		7-83	10
	1-51	18	1324360	1-9	19		7-71	37	1330297	9-10	18
1314381	4-23	6	1325119	15-57	9		7-71	38	1330355	7-49	3
1315425	13-15	30	1325120	15-57	9		7-76	17		7-49	6
1319668	17-9	12	1326653	14-19	10		7-76	18		7-57	10
	17-11	11	1327164	7-58	11		7-77	37		7-64	16
1323576	7-51	1		7-58	12		7-77	38		7-69	10
	7-51	7		7-58	18		7-84	1		7-75	10
	7-51	12		7-58	20	1329152	7-54	2		8-9	36
	7-53	4		7-59	38		7-58	17		8-9	38
	7-53	7		7-64	17		7-64	20		8-10	40
	7-60	45		7-64	18		7-65	35		9-9	9
	7-66	47		7-64	21		7-70	17		9-11	26
	7-72	45		7-64	23		7-76	17		9-11	27
	7-78	45		7-65	36		7-77	37	1330356	7-49	3
	8-7	1		7-70	11		7-84	1		7-49	6
	8-7	2		7-70	12	1329258	2-13	8		7-57	10
	10-7	6		7-70	18	1329271	2-9	19		7-64	16
	10-7	14		7-70	20		3-3	10		7-69	10
	10-7	16		7-71	38		4-11	25		7-75	10
1323578	8-7	3		7-76	11	1329850	19-5	3	1330409	1-49	18
	9-11	29		7-76	12	1329851	19-5	3		1-51	18

**NUMERICAL INDEX (continued)**

<b>PART NO.</b>	<b>PAGE</b>	<b>ITEM</b>	<b>PART NO.</b>	<b>PAGE</b>	<b>ITEM</b>	<b>PART NO.</b>	<b>PAGE</b>	<b>ITEM</b>	<b>PART NO.</b>	<b>PAGE</b>	<b>ITEM</b>
1330411	7-83	7		7-75	6		7-63	5	1333043	1-102	1
1330413	9-10	24		7-78	58		7-63	7	1333044	1-102	1
	9-10	25		8-9	26		7-65	29	1333045	1-102	1
1330414	1-7	17		8-9	27		7-65	31	1333329	18-9	6
	1-49	18		9-10	24		7-65	33	1333382	16-7	11
	1-51	18		9-10	25		7-65	38		17-7	17
	7-3	19		10-7	25		7-66	52		18-11	3
	7-66	61		19-7	10		7-66	54	1333392	17-7	6
	7-78	58		19-7	10		7-67	62	1333396	16-3	2
	7-80	11	1330438	7-11	10		7-69	5		16-5	2
	8-9	27		7-17	2		7-69	7		17-3	6
	19-7	10		7-29	5		7-71	25		17-5	5
1330415	7-13	15		7-29	11		7-71	27		18-3	3
	7-13	16		7-30	23		7-71	29		18-7	3
	7-15	9		7-30	25		7-71	33		18-9	4
	7-15	11		7-30	27		7-72	49	1333397	17-3	6
1330416	5-23	4		7-30	30		7-75	5		17-5	5
	6-21	4		7-33	19		7-75	7	1333399	18-31	3
	7-11	6		7-34	21		7-77	25		19-37	12
	7-11	17		7-34	23		7-77	27	1334642	14-7	5
	7-57	6		7-34	26		7-77	29	1334644	14-7	14
	7-63	6		7-37	19		7-77	33	1334647	14-7	2
	7-69	6		7-38	22		7-78	49	1337197	7-18	7
	7-75	6		7-38	24		7-79	59	1338741	15-59	5
	7-83	7		7-38	27		19-7	10	1338744	15-59	11
1330417	19-7	10		7-41	10		19-7	10	1338916	14-7	24
1330418	8-9	26		7-42	21	1330439	7-58	21	1338917	14-7	25
	9-10	24		7-42	24		7-58	22	1339828	1-105	18
	9-10	25		7-42	26		7-60	51	1339832	1-105	19
1330419	10-7	19		7-42	29		7-60	54	1340470	5-23	2
1330424	10-7	19		7-45	1		7-60	56		6-21	2
1330433	7-11	18		7-45	8		7-65	27	1342079	18-7	9
	7-83	7		7-45	10		7-65	28	1342081	16-5	11
1330435	7-83	7		7-47	1		7-66	57	1342119	18-15	3
1330436	10-7	19		7-47	10		7-70	21	1342122	18-15	3
1330437	1-7	17		7-47	12		7-70	22	1342125	18-15	3
	1-49	18		7-49	1		7-72	51	1342127	18-15	3
	1-51	18		7-49	2		7-72	54	1342129	18-7	9
	7-3	19		7-49	7		7-72	56	1342130	18-15	3
	7-11	7		7-51	5		7-76	21	1342134	18-7	9
	7-13	15		7-51	8		7-76	22	1342136	16-5	11
	7-13	16		7-51	11		7-77	40	1342377	17-13	7
	7-15	9		7-53	5		7-78	51	1342382	18-7	9
	7-15	11		7-57	5		7-78	54	1342384	16-5	11
	7-30	29		7-57	7		7-78	56		18-7	9
	7-34	25		7-59	25		7-83	4	1342387	16-5	11
	7-38	26		7-59	27		7-83	7		18-7	9
	7-42	28		7-59	29		9-10	23	1342394	16-5	11
	7-57	6		7-59	33		9-10	24	1342477	17-5	1
	7-63	6		7-60	49		9-11	25		17-5	1
	7-67	61		7-60	50		10-8	27	1343276	1-105	22
	7-69	6		7-61	60		19-7	10	1343844	17-23	

## NUMERICAL INDEX (continued)

PART NO.	PAGE	ITEM	PART NO.	PAGE	ITEM	PART NO.	PAGE	ITEM	PART NO.	PAGE	ITEM
1343990	1-101	2		7-38	26	1356661	17-16	15	1361302	17-16	2
1344124	6-15	16		7-42	28		18-23	3		18-24	16
1345014	10-11	14		10-8	25	1356662	17-16		1361500	14-7	15
1345190	17-20	29	1353408	16-21	7		18-24		1361502	14-7	28
	18-28	37		19-35	18	1356688	17-16	11	1361504	14-7	4
1345199	17-20	23	1354165	1-105	10	1356747	17-9	5	1361507	14-7	8
1345204	17-20	22	1354172	1-105	4		17-11	4	1363885	7-80	11
1345216	17-3	2	1354902	17-13	15	1356748	17-9	4	1363886	7-49	5
	17-5	2		18-16	32		18-20	11		7-49	8
	18-3	2	1354915	16-7	16	1356749	16-10	12		7-49	9
	18-7	2		17-7	16		18-20	13		7-57	5
	18-9	2		18-11	4	1356750	16-10	10		7-63	5
	18-31	2	1354916	16-7	16		16-14	10		7-69	5
	19-37			17-7	16		18-20	10		7-75	5
1345219	16-21	2		18-11	4	1356751	16-10	10	1363916	1-75	4
	17-23	2	1354917	16-7	16		16-14	10	1365140	18-9	6
	19-35	13		17-7	16		18-20	10	1365517	17-20	16
	19-39	12		18-11	4	1356752	16-14	12	1367150	1-17	7
1345239	17-23	1	1354918	17-19	15	1357268	8-2	1		1-17	10
1345263	16-21	6	1354967	17-13	19		8-5	1		1-23	6
	17-23	4	1355158	16-9	2		9-6	1		1-27	7
	19-35	15	1355178	16-9	2		10-3	2		1-27	10
	19-39	16	1355199	16-9	2	1357533	8-2	2	1369344	16-21	8
1345264	16-21	1	1355217	16-13	2		8-5	2		17-23	6
	17-23	1	1355221	16-13	3		10-3	3		18-31	9
1345348	16-17	23	1355367	16-9	2	1357535	8-2	1		19-35	17
	18-28	43	1355391	16-9	2		8-5	1		19-37	19
1345423	17-19	10	1355414	16-13	2		10-3	2		19-39	19
1346752	15-23	23	1355434	16-13	2	1358177	13-19	1	1369345	16-21	8
	15-25	14	1355591	18-19	2	1358178	13-19	1		17-23	6
	15-27	24	1355603	18-19	2	1358179	12-27	1		18-31	9
	15-29	15	1355610	18-19	3		12-31	1		19-35	17
1347045	1-5	4		18-19	3	1358183	12-27	1		19-37	19
	1-9	35	1355620	18-19	2	1358940	17-9	6		19-39	19
	2-5	25	1355626	18-19	3		17-9	6	1369356	17-13	8
	2-7	25	1355633	18-19	2	1358969	17-16		1369357	17-13	8
	3-9	1	1355710	18-19	2		18-24		1371250	15-45	4
	4-9	18	1355711	16-9	3	1358972	17-16	8	1374797	16-3	3
1350215	1-91	33		16-9	3		18-24	10		16-5	3
	19-7	3	1355713	17-9	11	1359562	1-49	18		17-3	8
1351681	1-49	23		17-11	10		1-51	18		17-5	3
	1-51	23	1355733	18-19	2	1359588	1-105	11		18-3	4
	10-7	19	1355745	18-19	2	1359620	15-17	9		18-7	4
1351682	7-29	12	1355758	18-19	2	1360127	18-20	11		18-9	3
1351689	14-3	28	1355775	18-19	2	1360386	15-17	24		18-31	5
	14-11	36	1355929	17-11	5		15-21	5		19-37	
1352140	2-9	2		17-11	5		17-19	13	1374815	13-15	15
	3-3	2	1356292	17-16	15	1360507	17-19	2	1375214	1-5	3
	3-5	2		18-23	3	1360508	17-19	9	1375391	14-3	27
	4-11	2	1356400	19-5	1	1360538	1-47	22		14-11	37
1352603	7-30	29	1356401	19-5	2	1360796	14-7	8	1375469	13-15	22
	7-34	25	1356569	17-16	11	1360797	14-7	9	1375488	12-17	17

**NUMERICAL INDEX (continued)**

<b>PART NO.</b>	<b>PAGE</b>	<b>ITEM</b>	<b>PART NO.</b>	<b>PAGE</b>	<b>ITEM</b>	<b>PART NO.</b>	<b>PAGE</b>	<b>ITEM</b>	<b>PART NO.</b>	<b>PAGE</b>	<b>ITEM</b>
1375676	1-105	8	1393463	1-69	11		7-47	7		10-12	1
1375797	7-83	8		1-71	34		7-47	8	1454862	8-7	5
1377080	5-9	17	1393472	1-63	31		7-47	11		10-7	7
1377081	5-9	18		1-71	21		9-10	21		10-12	1
1377795	4-11	30	1393479	1-69	10	1402815	7-45	3	1454967	10-3	14
1378690	17-14	22	1393499	1-55	10		7-47	3	1460477	1-9	29
1378693	17-13	6		1-57	8		8-10	49		2-5	16
1378699	16-5	9		1-71	25	1402816	7-29	16		2-7	16
	17-13	6	1393527	1-59	2		7-33	13		3-7	9
	18-7	7	1393528	1-59	3		7-37	16		3-7	20
	18-16	30	1393539	1-57	16		7-41	18		3-9	6
1379455	5-25	38		1-69	7		7-51	3		3-9	20
	5-27	39		1-72	48		7-53	2		4-5	10
1379682	17-13	6	1393541	1-63	8	1402849	10-7	21		4-7	17
1379683	17-13	6	1393879	1-91	13	1402868	7-53	4		4-9	10
1379687	17-7	6		15-3	12		7-60	45	1461743	7-83	9
1379945	1-19	5		15-5	12		7-66	47	1461744	7-83	8
	1-23	23	1394008	5-3	4		7-72	45	1462615	13-19	1
1380092	13-17	3		5-9	3		7-78	45	1462616	13-19	1
1380570	16-14	11		6-3	3	1402883	7-3	6	1462617	12-27	1
1380849	11-24	12		6-5	4	1402888	7-54	2	1463105	17-16	6
1381063	16-10	9	1394500	13-21			7-58	11		18-23	6
	16-14	9	1395168	16-3	2		7-58	17	1463138	7-51	4
	18-20	9		16-5	2		7-59	37		7-51	13
1381064	16-10	9		17-3	6		7-64	17		7-53	1
	16-14	9		17-5	5		7-64	20		7-53	10
	18-20	9		18-3	3		7-65	35		8-8	24
1381078	15-61	4		18-7	3		7-70	11		10-8	26
1381082	15-59	9		18-9	4		7-70	17		19-2	2
1381083	15-61	12	1395174	18-31	3		7-71	37	1463139	7-29	1
1381095	17-9	8	1395176	18-31	3		7-76	11		7-30	24
	17-11	7	1395285	17-13	3		7-76	17		7-30	28
1382694	10-7	7	1395291	17-20	32		7-77	37		7-33	1
1382695	10-7	2	1395292	17-20	26		8-7	3		7-33	20
	10-7	7	1396406	17-20	31		9-10	18		7-34	24
1383062	15-59	10	1398062	7-5	18		9-11	29		7-37	1
1383063	15-61	10	1398099	5-25	2		10-7	15		7-37	5
	16-10	14		5-27	2	1402919	8-7	9		7-37	6
	18-20	15	1399802	6-17	9		8-7	11		7-38	21
1383064	16-14	14	1400125	1-47	10		8-7	12		7-38	25
1383777	13-15	23	1401746	19-35	9		8-8	19		7-41	1
1385801	1-102	1		19-37	9		8-8	20		7-41	5
1385802	1-102	1		19-39	9	1402923	19-7	10		7-41	6
1385803	1-102	1	1402414	5-27	22	1452112	5-9	16		7-42	23
1387170	1-9	12	1402813	7-53	9	1453887	1-23	11		7-42	27
1388838	13-15	35	1402814	7-45	4	1454827	8-7	5		7-49	4
1391757	3-7	22		7-45	5		9-10	17		7-57	1
	3-9	22		7-45	6		10-12	1		7-57	2
1391758	3-7	23		7-45	9	1454828	10-12	1		7-57	3
	3-9	23		7-47	4	1454829	10-7	7		7-57	4
1393142	18-31	3		7-47	5		10-12	1		7-57	8
1393458	1-59	7		7-47	6	1454860	10-7	7		7-57	9

## NUMERICAL INDEX (continued)

PART NO.	PAGE	ITEM	PART NO.	PAGE	ITEM	PART NO.	PAGE	ITEM	PART NO.	PAGE	ITEM
	7-59	40	1468314	1-63	16	1476599	9-9	13		19-19	12
	7-59	44	1468315	1-63	15	1477683	17-23			19-19	12
	7-60	46	1468316	1-63	14	1477932	17-23	1	1483663	19-17	14
	7-60	47	1468317	1-63	13	1477938	19-39	1		19-17	14
	7-63	1	1468318	1-71	27	1477944	19-39			19-19	15
	7-63	2	1468319	1-59	1	1477946	19-39			19-19	15
	7-63	3		1-59	12	1477996	15-17	2	1483664	19-17	15
	7-63	4	1469379	2-5	8		16-17	20		19-17	15
	7-63	8		2-7	8		17-20	17		19-19	16
	7-63	9	1469405	2-5	4	1480187	7-66	59		19-19	16
	7-65	44		2-7	4		7-78	56	1484377	7-17	2
	7-65	45		4-5	12		7-83	5		7-29	1
	7-66	48		4-9	12	1480188	7-83	5		7-30	24
	7-66	49	1470155	1-13		1480237	1-89	11		7-30	28
	7-66	51	1471591	12-27	1		1-91	14		7-30	29
	7-69	1		12-31	1		1-95	7		7-33	1
	7-69	2	1471829	12-27	1		2-9	34		7-33	20
	7-69	3		12-31	1		6-17	15		7-34	24
	7-69	4	1471832	13-19	1		7-3	9		7-34	25
	7-69	8	1471835	12-27	1		7-80	2		7-37	1
	7-69	9	1471837	13-19	1		8-2	4		7-38	21
	7-71	40	1471921	13-19	1		8-5	4		7-38	25
	7-71	44	1471922	12-27	1		9-5	29		7-38	26
	7-72	46		12-27	1		9-6	4		7-42	23
	7-72	47		12-31	1		11-3	3		7-42	27
	7-72	50		13-19	1		11-5	3		7-42	28
	7-75	1	1473887	15-5	35		11-7	3		7-45	1
	7-75	2	1476064	7-57	10		11-9	5		7-49	1
	7-75	3		7-64	16		11-11	3		7-51	4
	7-75	4		7-69	10		13-13	7		7-51	13
	7-75	8		7-75	10		15-5	22		7-53	1
	7-75	9	1476077	8-7	1		15-17	8		7-57	1
	7-77	40		10-7	14		19-7	5		7-57	3
	7-78	44	1476108	7-49	3	1481090	17-14	33		7-57	4
	7-78	46		7-49	6	1481096	17-14	26		7-57	7
	7-78	47		7-57	10	1481097	17-7	3		7-57	8
	7-78	50		7-64	16	1481232	17-19	11		7-57	9
1463194	7-29	11		7-69	10	1481742	17-14	28		7-59	39
	7-49	2		7-75	10		17-14	28		7-59	40
	7-49	7		8-9	36	1482668	7-49	3		7-59	44
1463912	1-49	19		8-9	38		7-49	6		7-60	46
	1-51	19		8-10	40		8-9	39		7-60	49
1465140	15-9			9-9	9	1482905	1-17	4		7-63	1
	15-11			9-11	26		1-27	4		7-63	2
1465468	8-7	4		9-11	27	1482906	1-17	6		7-63	3
	9-11	30	1476109	7-57	10		1-27	6		7-63	4
1465469	8-7	3		7-64	16	1482925	1-23	9		7-63	7
	9-11	29		7-69	10	1482949	1-23	10		7-63	8
	10-7	15		7-75	10	1483329	8-9	39		7-63	9
1465504	17-13	16	1476421	9-3	19		9-11	42		7-65	44
1468308	1-57	20		9-5	19	1483661	19-17	17		7-65	45
1468312	1-69	18	1476598	9-9	13		19-17	17		7-66	46



**NUMERICAL INDEX (continued)**

<b>PART NO.</b>	<b>PAGE</b>	<b>ITEM</b>	<b>PART NO.</b>	<b>PAGE</b>	<b>ITEM</b>	<b>PART NO.</b>	<b>PAGE</b>	<b>ITEM</b>	<b>PART NO.</b>	<b>PAGE</b>	<b>ITEM</b>
	7-66	48	1486740	19-17	16	1487165	11-9	6		7-45	10
	7-66	52		19-17	16	1487441	8-9	39		7-47	10
	7-67	62		19-19	17	1487945	1-79	9		7-47	12
	7-69	1		19-19	17	1488464	15-17	21		7-49	5
	7-69	3	1486742	15-17	26	1489003	19-39	1		7-49	8
	7-69	4		15-21	4	1489016	19-45	1		7-49	9
	7-69	7		15-34	10	1489035	19-45	3		7-51	5
	7-69	8	1486749	11-3	5	1489037	19-45	2		7-51	8
	7-69	9		11-5	5	1489039	19-45	5		7-51	11
	7-71	39		11-7	5	1489655	5-23	4		7-53	5
	7-71	40		11-9	7		6-21	4		7-59	25
	7-71	44		15-3	20		7-11	5		7-59	27
	7-72	46		17-7	2		7-11	16		7-59	33
	7-72	49	1486750	15-5	35		7-57	6		7-60	60
	7-75	1	1486751	15-3	24		7-63	6		7-65	29
	7-75	3		15-6	46		7-69	6		7-65	31
	7-75	4		18-11	8		7-75	6		7-65	38
	7-75	7		18-15	8	1489656	7-11	8		7-66	54
	7-75	8	1486773	17-7	9		7-29	5		7-71	25
	7-75	9		18-11	17		7-30	23		7-71	27
	7-77	39	1487058	14-15	18		7-30	30		7-71	33
	7-77	40		14-17	21		7-33	19		7-77	25
	7-78	44		15-6	44		7-34	26		7-77	27
	7-78	46		15-6			7-37	19		7-77	33
	7-78	49		15-17	3		7-38	27		19-7	10
	7-79	59		15-34	8		7-41	10		19-7	10
	8-9	26		19-23	4		7-41	21	1490243	7-30	27
	10-8	25		19-25	4		7-42	29		7-34	23
1484397	7-29	11		19-27	4		7-59	29		7-38	24
	7-49	2		19-29	4		7-65	33		7-42	26
	7-49	7		19-31	4		7-71	29		7-45	8
1484557	7-37	5		19-33	4		7-77	29		7-45	10
	7-37	6	1487059	15-6	40	1489657	7-11	9		7-47	10
	7-41	5		19-40	3		7-29	5		7-47	12
	7-41	6		19-41	3		7-30	23		7-49	5
	7-49	4		19-42	4		7-30	30		7-49	8
1484558	7-37	5	1487061	14-15	3		7-33	19		7-49	9
	7-37	6		14-17	4		7-34	26		7-51	5
	7-41	5		15-17	5		7-37	19		7-51	8
	7-41	6		15-17	5		7-38	27		7-51	11
	7-49	4		15-21	2		7-41	10		7-53	5
1484709	7-49	10	1487063	13-13	5		7-42	21		7-59	25
	8-9	25	1487068	11-11	14		7-42	29		7-59	27
	9-10	23	1487069	15-6	46		7-59	29		7-59	33
	10-8	27		15-17	14		7-65	33		7-61	60
1486183	19-39		1487096	19-13	5		7-71	29		7-65	29
1486186	19-39		1487097	19-23	3		7-77	29		7-65	31
1486580	16-7	4		19-25	3	1490242	7-30	27		7-65	38
1486737	15-6	44		19-27	3		7-34	23		7-66	54
	15-17	7		19-29	3		7-38	24		7-71	25
	19-25	16		19-31	3		7-42	26		7-71	27
	19-31	16		19-33	3		7-45	8		7-71	33

## NUMERICAL INDEX (continued)

PART NO.	PAGE	ITEM	PART NO.	PAGE	ITEM	PART NO.	PAGE	ITEM	PART NO.	PAGE	ITEM
	7-77	25		1-83	10		10-7	25	1502276	13-15	32
	7-77	27	1498424	8-9	38	1501274	11-24	1	1502543	1-47	8
	7-77	33		8-10	40	1501811	6-9	3		4-15	4
	19-7	10		9-9	9	1501848	5-3	2		4-19	3
	19-7	10		9-11	27	1501849	6-5	15		4-20	3
1492644	15-59		1498483	7-83	8	1501888	5-5	2		4-23	14
1493308	1-57	10	1500782	1-102	4		6-3	1		4-34	4
	1-69	17	1500784	1-102	4		6-6	1		4-36	5
1493428	7-57	7	1500899	7-29	18	1501970	5-17	3		4-39	6
	7-60	49		7-33	14		5-19	15		6-15	15
	7-63	7		7-37	17	1501994	1-87	12		7-3	5
	7-65	36		7-41	19		5-10	5		7-3	14
	7-69	7		7-60	48		5-14	5		8-2	6
	7-72	49		7-66	50	1502001	3-3	5		8-5	6
	7-75	7		7-72	48	1502003	14-3	6		9-6	6
	7-78	49		7-78	48	1502007	15-3	7		10-4	35
1493435	7-45	6	1500901	8-10	43		15-5	7		15-3	4
	7-45	9		10-7	17	1502009	5-10	9		15-5	4
	7-47	8	1500912	1-7	15		5-14	9		19-8	7
	7-47	11		5-23	14		14-15	6	1502625	7-60	50
1493447	7-47	5		6-15	16		14-17	8		7-66	52
	7-47	6		6-21	14	1502034	5-3	3		7-67	62
1493465	1-7	17		7-3	21	1502053	1-47	29		7-79	59
	7-3	19		7-5	4		7-11	19	1502626	7-60	50
	7-66	61		7-7	5	1502055	7-11	13		7-66	52
	7-78	58		7-11	2		15-17	15		7-67	62
	7-80	11		7-23	2	1502059	1-47	26		7-79	59
	8-9	27		7-80	6		5-18	12	1503096	19-45	
	19-7	10		9-3	25		5-19	12	1503648	8-7	9
1493466	7-13	15		9-5	25		9-3	17		8-7	11
	7-13	16		10-4	32		9-5	17		8-7	12
	7-15	9		14-11	6		15-17	16		8-8	19
	7-15	11		19-7	7	1502061	1-47	28		8-8	20
1494750	11-29	21	1500913	7-17	2		1-84	11	1503874	1-105	2
1494888	1-7	9		7-45	1		1-87	10	1503876	1-105	2
	1-49	13		7-47	1		1-89	10	1503879	1-105	2
	1-51	13		7-49	1		1-89	18	1503958	1-69	19
1495441	1-63	21		7-57	5		5-10	11	1504010	16-21	8
1496922	17-9			7-57	7		5-14	11		17-23	6
	17-11			7-60	49		5-18	13		18-31	9
1497433	7-3	19		7-63	5		5-19	13		19-35	17
1498044	7-67	63		7-63	7		8-5	10		19-37	19
	7-79	60		7-69	5		9-3	16		19-39	19
	8-8	15		7-69	7		9-5	16	1504012	16-21	8
	8-8	23		7-72	49		10-4	23		17-23	6
1498046	8-9	28		7-75	5	1502066	1-47	27		18-31	9
1498325	19-45	4		7-75	7	1502079	5-3	10		19-35	17
1498326	19-35	11		7-78	49		5-9	7		19-37	19
	19-37	17	1500925	7-30	29		6-3	6		19-39	19
	19-39	17		7-34	25		6-5	10	1504075	2-11	6
1498336	1-61	11		7-38	26	1502123	15-3	8		3-10	3
	1-81	6		7-42	28		15-5	8		4-13	3

**NUMERICAL INDEX (continued)**

<b>PART NO.</b>	<b>PAGE</b>	<b>ITEM</b>	<b>PART NO.</b>	<b>PAGE</b>	<b>ITEM</b>	<b>PART NO.</b>	<b>PAGE</b>	<b>ITEM</b>	<b>PART NO.</b>	<b>PAGE</b>	<b>ITEM</b>
1504953	1-63	9		4-5	15		9-10	23	1516331	12-19	12
1506604	3-25	11		4-7	10		10-8	27	1516332	12-19	12
1506738	5-5	5		4-9	15	1514602	7-64	27	1516333	12-19	12
	6-3	19		7-5	7		7-66	53	1516334	12-19	12
	6-6	4		7-7	8		7-66	56	1516335	12-19	12
1506825	1-69		1510116	10-11	11		7-76	22	1516526	12-19	13
	1-71	39		14-15	17		7-78	51	1516530	12-19	3
1507003	1-63	6		14-17	16		7-78	53	1516535	12-19	10
1508229	1-71	8		15-3	11		7-83	6	1516536	12-19	6
1508232	9-11	28		15-5	11	1514603	7-58	22	1516826	11-19	5
1509888	7-33	8	1510117	1-47	21		7-60	51	1516849	11-15	6
	7-37	12		2-5	20		7-60	53	1517361	6-17	13
	7-41	14		2-7	20		7-60	58		15-23	15
	7-51	2		3-7	3		7-65	27		15-25	12
	7-53	3		4-5	19		7-66	53		15-27	16
	7-59	31		4-7	5		7-66	56		15-29	13
	7-65	40		14-19	13		7-70	22	1517420	1-95	3
	7-71	31	1510126	14-3	2		7-72	51	1517421	1-95	3
	7-77	31		14-11	11		7-72	53	1517576	12-19	13
	8-5	13	1512403	2-13	13		7-72	58	1517578	12-19	3
	8-10	48		13-2	1		7-76	22	1517656	1-91	24
	10-7	23		13-3	1		7-78	51	1517673	12-15	3
	19-7	11	1512536	1-19	10		7-78	53	1517836	13-15	33
1509890	7-29	9		1-21	13		7-83	6	1519611	8-7	2
	7-51	10		1-23	15	1514866	16-3	11	1520290	15-57	2
	7-53	8	1512561	12-17	1		16-21	9	1520513	8-5	12
	7-59	41	1513089	1-23	5		17-13	9		9-3	14
	7-59	43	1514138	11-36	5		17-23	9		9-5	14
	7-65	41	1514269	15-57	1		18-3	7	1520543	8-7	5
	7-65	43	1514429	1-84	6		18-9	7		9-10	17
	7-71	41		1-87	5		18-15	21	1520660	11-15	28
	7-71	43		1-89	6		18-31	8		11-36	9
	7-77	41		4-23	18		19-35	20	1520752	12-19	15
	7-77	43		4-31	19		19-37	18	1520753	12-19	15
	8-10	46		6-17	11		19-39	18	1520754	12-19	15
1510113	1-45	2		10-3	15	1515219	12-21	5	1520755	12-19	15
	1-47	5		12-21	20	1515337	1-55	11	1520864	9-9	10
	1-89	16		14-3	3		1-57	9	1521183	7-58	12
	1-98	1		14-11	9		1-57	17		7-64	18
	5-3	17	1514597	7-49	10		1-69	11		7-70	12
	5-18	10		7-65	28		1-71	33		7-76	12
	5-19	10		7-66	57		1-72	49	1521184	7-58	11
	6-17	16		7-76	21	1515654	10-4	27		7-64	17
	14-3	13		7-77	40		11-17	7		7-70	11
1510114	1-47	7		7-78	54		11-29	37		7-76	11
	10-11	4		7-83	4		15-5	13	1521185	7-58	19
	12-19	5		9-10	23	1516075	12-17	21		7-64	22
1510115	2-5	11		10-8	27	1516197	15-6	42		7-70	19
	2-7	11	1514598	7-49	10	1516199	14-15	1		7-76	19
	2-9	23		7-80	12		14-17	1	1521186	7-58	20
	3-7	11		7-83	4	1516201	15-17	5		7-64	23
	3-9	11		8-9	25	1516205	18-15	10		7-70	20

## NUMERICAL INDEX (continued)

PART NO.	PAGE	ITEM	PART NO.	PAGE	ITEM	PART NO.	PAGE	ITEM	PART NO.	PAGE	ITEM
	7-76	20	1525478	5-27	20		7-33	18		11-9	4
1521188	7-58	11	1525563	7-57	5		7-37	20		11-11	2
	7-58	12		7-63	5		7-42	22		11-24	11
	7-58	19		7-69	5		7-71	30		12-17	22
	7-58	20		7-75	5		7-77	30		12-19	7
	7-64	17	1525564	7-45	1	1525584	7-29	6		13-13	8
	7-64	18		7-47	1		7-33	4		14-3	15
	7-64	22	1525565	7-17	2		7-37	7		14-11	13
	7-64	23	1525566	7-49	1		7-41	7		14-15	21
	7-70	11	1525567	7-30	24		10-7	13		14-17	27
	7-70	12		7-33	20	1525596	8-8	17		14-19	11
	7-70	19		7-38	21		9-10	15		15-5	37
	7-70	20		7-42	23	1525677	11-29	7		15-23	2
	7-76	11		7-57	4	1525686	11-27	12		15-25	2
	7-76	12		7-57	8	1527520	15-61	11		15-27	2
	7-76	19		7-60	46	1527562	10-3	13		15-29	2
	7-76	20		7-63	4	1527719	15-61		1527880	1-9	6
1521309	8-9	30		7-63	8	1527813	15-17	3		1-47	30
1521809	12-21	29		7-66	48	1527876	1-9	18		5-3	9
1521989	7-58	11		7-69	4		4-23	17		5-9	9
	7-58	12		7-69	8		5-17	11		5-13	17
	7-58	19		7-72	46		8-5	21		5-17	17
	7-58	20		7-75	4		14-11	28		6-15	2
	7-64	17		7-75	8	1527877	19-7	4		7-3	7
	7-64	18		7-78	46	1527878	10-4	28		7-80	3
	7-64	22	1525568	7-29	1		12-21	22		11-11	16
	7-64	23		7-33	1		15-23	6		14-11	35
	7-70	11		7-37	1		15-27	6		15-5	21
	7-70	12		7-41	1	1527879	1-45	7	1527881	1-9	31
	7-70	19		7-57	3		1-89	13		2-9	5
	7-70	20		7-63	3		2-9	37		4-11	5
	7-76	11		7-69	3		4-17	6		6-9	10
	7-76	12		7-75	3		4-23	16	1527883	1-47	19
	7-76	19	1525569	7-57	2		4-33	3	1527884	2-13	17
	7-76	20		7-57	9		5-13	13		11-15	14
	7-84	1		7-63	2		5-17	13	1527885	3-7	8
1522363	3-25	2		7-63	9		5-21	8		3-9	5
1522377	12-19	1		7-69	2		5-23	27		4-5	24
1522425	15-17	11		7-69	9		6-3	12		4-7	16
1523479	12-19	2		7-75	2		6-5	12		4-9	22
1523732	1-102	3		7-75	9		6-17	17	1527887	1-47	23
1523733	1-102	5	1525570	7-30	28		6-19	8		3-7	19
1523734	1-102	2		7-34	24		6-21	27		3-9	19
1523737	1-102	5		7-38	25		7-3	27	1527888	1-7	18
1524267	5-21	4		7-42	27		7-18	9		1-49	6
	5-23	23		7-57	1		8-2	3		1-51	6
	6-19	4		7-63	1		8-5	3	1528132	7-9	3
	6-21	23		7-69	1		9-5	28	1528133	7-9	4
1525354	13-15	34		7-75	1		9-6	3	1528315	7-9	2
1525442	5-27	24	1525573	7-29	4		11-3	4	1528481	15-3	
1525451	5-25	11		7-41	11		11-5	4		15-6	
	5-27	9	1525577	7-29	22		11-7	4	1528482	7-5	17

**NUMERICAL INDEX (continued)**

<b>PART NO.</b>	<b>PAGE</b>	<b>ITEM</b>	<b>PART NO.</b>	<b>PAGE</b>	<b>ITEM</b>	<b>PART NO.</b>	<b>PAGE</b>	<b>ITEM</b>	<b>PART NO.</b>	<b>PAGE</b>	<b>ITEM</b>
1528573	19-15	12		7-3	23		6-19	6		7-66	49
	19-20	8		8-2	7		6-21	25		7-71	44
	19-20	8		8-5	7	1531001	1-91	3		7-72	47
1528602	19-17	13		9-6	7		1-95	2		7-77	44
	19-17	13		10-4	19		7-13	5		7-78	47
	19-19	14	1529427	1-95	10	1531162	7-45	4	1531974	7-59	44
	19-19	14	1529787	2-9	4		7-45	5		7-60	47
1528608	6-9	20		3-3	14		7-47	4		7-65	44
1528630	7-9	5		3-5	14		7-47	7		7-66	49
1528631	7-9	6		4-11	4	1531312	5-23	4		7-71	44
1528888	1-7	3	1530010	14-19	9		6-21	4		7-72	47
	1-49	7	1530037	7-57	1	1531404	3-3	25		7-77	44
	1-51	7		7-57	2		3-5	25		7-78	47
1528889	3-25	9		7-57	3	1531480	9-3	26	1531975	7-7	3
1528893	6-9	11		7-57	4		9-5	26	1532337	12-3	10
1528903	5-25	19		7-63	1	1531486	7-49	3		12-3	10
	5-27	29		7-63	2		7-49	6		12-21	9
1529015	17-19	5		7-63	3	1531490	7-58	16	1532363	3-7	25
	19-15	13		7-63	4		7-64	24		3-9	25
	19-20			7-69	1		7-70	16	1532523	2-5	15
	19-20			7-69	2		7-76	16		2-7	15
1529046	7-29	1		7-69	3	1531492	7-59	35		4-5	2
	7-30	24		7-69	4		7-66	60		4-9	2
	7-30	28		7-75	1		7-71	35	1532526	6-9	6
	7-33	1		7-75	2		7-77	35	1532528	6-9	1
	7-33	20		7-75	3	1531557	1-7	6	1532530	6-9	2
	7-34	24		7-75	4		1-45	3	1532571	7-29	6
	7-37	1	1530135	1-95	11		1-49	21		7-33	4
	7-38	21	1530243	1-9	32		1-51	21		7-37	7
	7-38	25		1-89	15		5-13	18		7-41	7
	7-41	1		2-9	6		5-17	18		10-7	13
	7-42	23		3-3	12		7-15	24		10-7	18
	7-42	27		3-5	12		14-15	20	1532650	15-5	15
	7-57	8		4-11	6		14-17	25		17-7	4
	7-57	9		5-3	7		19-9	4	1532664	7-30	25
	7-60	46		5-9	11	1531558	1-7	12		7-33	21
	7-63	8		5-18	9		1-29	8		7-38	22
	7-63	9		5-19	9		1-91	23		7-42	24
	7-66	48		6-3	11		5-5	4	1532708	12-21	2
	7-69	8		6-5	13		6-3	10	1532735	12-17	20
	7-69	9		6-17	19		6-6	5	1532759	7-15	19
	7-72	46	1530311	5-21	9		15-17	23		10-3	11
	7-75	8		5-23	28		15-21	8		10-7	9
	7-75	9		6-19	9		15-34	2	1532761	8-10	55
	7-78	46		6-21	28	1531563	13-2	3		10-3	10
1529257	6-5	16	1530588	12-19	9		13-3	3		10-7	5
	8-5	24	1530960	7-51	13	1531569	14-3	7	1532762	9-11	41
	9-3	13		7-53	10	1531806	3-25	12	1532774	8-10	54
	9-5	13	1530961	7-51	13	1531973	7-59	44		9-11	38
1529366	1-89	23		7-53	10		7-60	47	1532775	7-15	20
	6-9	23	1530971	5-21	6		7-65	34	1532776	9-11	40
	6-15	17		5-23	25		7-65	44		10-7	4

## NUMERICAL INDEX (continued)

PART NO.	PAGE	ITEM	PART NO.	PAGE	ITEM	PART NO.	PAGE	ITEM	PART NO.	PAGE	ITEM
1533493	15-57	4		1-49	4		11-27	33		11-31	
1533494	15-57	5		1-51	4	1541556	11-29	14		11-33	
1533639	2-5	24	1537133	12-3	8	1541921	11-12	2		11-35	
	2-7	24		12-15	8	1541988	7-59	39	1543254	13-15	36
	3-7	7	1537400	13-15	1		7-66	46	1543553	9-10	17
	3-9	2	1537422	10-11	8		7-71	39	1543691	6-9	17
	4-9	17	1537449	11-21	14		7-77	39		9-6	12
1533810	8-8	17		11-31	14		8-8	24	1543698	8-2	9
	9-10	15		11-33	14		10-8	26		8-5	9
1533863	2-5	17		11-35	14	1541989	8-8	24		9-3	5
	2-7	17	1537450	11-21	16		10-8	26		9-5	5
	4-5	16		11-23	16	1541991	7-59	40		9-6	9
1534282	7-29	3		11-31	16		7-65	45		14-3	8
	7-33	3		11-33	17		7-66	51		14-19	14
	7-37	3		11-35	16		7-71	40	1543842	1-84	3
	7-41	3	1537459	11-21	20		7-72	50		1-87	6
	7-60	52		11-23	19		7-77	40		1-89	7
	7-63	12		11-31	22		7-78	50		14-3	9
	7-72	52		11-33	20	1541992	7-59	40	1543982	19-7	8
	7-78	52		11-35	21		7-65	45	1544118	15-57	7
1534417	1-9	8	1537551	7-3	30		7-66	51	1544119	15-57	7
	1-9	8		7-13	3		7-71	40	1544120	15-57	7
	2-13	5		7-15	4		7-72	50	1544121	15-57	7
	5-10	8		10-3	7		7-77	40	1544122	15-57	10
	5-13	11	1537667	13-15	21		7-78	50	1544123	15-57	10
	5-14	8	1537963	13-15	1	1542082	6-17	18	1544124	15-57	10
	5-17	11	1538162	6-17	2	1542436	1-87	11	1544153	1-91	34
	7-3	3	1538490	6-17	5		5-10	6		1-91	34
	9-3	18	1538782	6-17	3		5-14	6		10-11	15
	9-5	18	1539154	3-11	2		8-2	8		14-3	12
1534660	1-107	7	1539298	6-17	1		8-5	8	1544154	10-11	17
1534672	5-25	17	1539584	7-13	22		9-6	8	1544157	13-13	6
	5-27	28	1539639	13-22	3		15-5	36	1544216	11-17	32
1534828	7-29	8	1539872	8-9	36	1542439	7-11	12		11-29	15
	7-33	7		9-11	26		8-5	11	1544217	11-17	33
	7-37	9	1540388	7-29	2		9-3	15		11-29	18
	7-41	9		7-33	2		9-5	15	1544218	11-17	30
	7-58	13		7-37	2		10-4	24		11-29	10
	7-64	19		7-41	2		15-34	14	1544255	7-9	7
	7-70	13		7-60	57	1542440	6-9	16	1544413	1-91	27
	7-76	13		7-63	13		9-6	11	1544415	1-91	12
1534871	14-3	23		7-72	57	1542500	6-17	8	1544759	11-36	6
	14-11	20		7-78	57	1542546	15-23	10	1544981	12-27	
1535166	7-11	1		9-11	43		15-27	10	1544984	12-27	
1535257	3-3	7	1540643	1-91	5	1543060	12-31	1	1544987	12-27	
	3-5	7	1540805	7-3	15	1543062	13-22	3	1544990	12-27	
	4-11	24	1540860	1-91	30	1543063	12-24	3	1544991	12-24	1
1536304	9-6	1	1540870	1-91	37		12-25	3	1544992	12-24	1
	10-3	2	1541231	10-4	25	1543064	12-24	3	1544993	12-24	1
1536724	14-3	11		11-15	29	1543094	11-23	14	1544994	12-24	1
	14-4			11-27	34	1543102	11-21		1544997	13-19	
1536813	1-7	4	1541232	11-15	30		11-23		1545000	13-19	

**NUMERICAL INDEX (continued)**

<b>PART NO.</b>	<b>PAGE</b>	<b>ITEM</b>	<b>PART NO.</b>	<b>PAGE</b>	<b>ITEM</b>	<b>PART NO.</b>	<b>PAGE</b>	<b>ITEM</b>	<b>PART NO.</b>	<b>PAGE</b>	<b>ITEM</b>
1545002	13-22	1		8-9	35	1558034	1-69	13	1562496	13-5	16
1545005	13-22	1		8-9	37		1-71	26	1562501	13-5	21
1545202	7-66	58		9-10	19	1558036	1-55	4	1562505	13-5	25
	7-78	55	1548618	1-9	5		1-57	7	1562509	13-5	1
1545401	12-3	5	1550070	19-15	3	1558052	1-63	24	1562648	1-84	8
1545418	5-3	14		19-17	3	1558156	7-51	12		1-87	3
1545546	11-27	31		19-19	5	1558219	1-7	7		2-9	36
	11-36	12		19-20	3	1558227	9-11	45		11-3	2
1546673	7-51	7	1550561	11-36	3	1558294	1-69	21		11-5	2
	7-53	7	1550567	11-29	35		1-71	22		11-7	2
	10-7	6	1550572	11-29	25	1558515	11-17	21		11-9	3
1546697	7-60	55	1550747	3-25	16		11-29	41		11-11	1
	7-66	58	1551663	3-5	10	1559049	10-7	2	1562649	7-45	4
	7-72	55	1551839	13-2	3		10-7	4		7-45	5
	7-78	55	1553122	11-12	1	1559418	5-6	3		7-45	6
1547368	10-7	12	1553123	11-12	1	1559419	5-6	2		7-45	9
1547369	10-7	20	1553265	3-25	1	1559420	5-6	4		7-47	4
1547447	11-15	20	1553403	11-29	9	1559567	4-23	5		7-47	5
	11-27	9	1553897	6-15	3	1559928	7-3	4		7-47	6
1547466	1-91	16		7-21	5	1560015	10-7	22		7-47	7
1547467	1-91	16		14-3	18		10-12	3		7-47	8
1547468	1-91	16		14-11	3	1560447	7-13	21		7-47	11
1547629	9-11	28	1554359	7-58	22	1560448	7-13	12		9-10	21
1547712	2-5	9		7-60	51	1560543	1-76		1563208	1-13	
	2-7	9		7-60	53	1560643	1-76	4		1-24	
1547756	19-7	6		7-60	55	1560671	1-7	8	1563230	1-19	8
1547757	12-15	1		7-60	58		1-51	15		1-23	14
1548497	3-3	24		7-64	27	1560678	10-4	17	1563231	1-19	1
	3-5	24		7-66	53	1560681	15-37	15		1-23	17
1548517	7-17	3		7-66	56		15-39	6	1563369	1-9	24
	7-29	13		7-66	58	1560682	15-37	9		1-9	27
	7-33	9		7-70	22		15-39	10	1563497	1-9	23
	7-37	13		7-72	51	1561008	13-17	4		1-9	26
	7-41	15		7-72	53	1561117	10-15	7	1563841	7-7	
	7-51	6		7-72	55	1561559	19-2	2	1563881	1-91	32
	7-51	9		7-72	58	1561749	19-8	1	1563883	1-91	39
	7-53	6		7-76	22	1561755	19-2	2	1564044	8-2	2
	8-8	18		7-78	51	1561759	7-11	11		8-5	2
	8-9	29		7-78	53		8-5	19		9-6	2
	8-9	35		7-78	55	1561871	7-3	24		10-3	3
	8-9	37		7-83	6		8-5	20	1564392	6-9	21
	9-10	19	1554902	7-5	11		9-3	4	1564515	15-3	22
1548519	7-17	3		7-7	16		9-5	4		15-5	33
	7-29	13		7-18	10	1562088	6-17	20	1564526	14-11	5
	7-33	9	1556475	14-3	21		7-5	10	1564529	1-91	21
	7-37	13		14-11	23	1562353	1-105	21	1564747	15-23	11
	7-41	15	1557383	12-5	10	1562359	1-97	1		15-25	5
	7-51	6	1557445	12-9	5	1562360	1-97	1		15-27	11
	7-51	9	1557737	2-11	7	1562361	1-97	1		15-29	5
	7-53	6		3-10	4	1562362	1-97	1	1564752	5-21	14
	8-8	18		4-13	2	1562492	13-5	11		5-23	21
	8-9	29	1557767	3-10	1	1562493	13-5	13		6-19	14

## NUMERICAL INDEX (continued)

PART NO.	PAGE	ITEM	PART NO.	PAGE	ITEM	PART NO.	PAGE	ITEM	PART NO.	PAGE	ITEM
	6-21	21	1566145	10-12	2		14-17	19	1578713	15-37	1
1565076	7-13	6	1566146	8-2	1		19-23	10		15-39	13
	7-15	13		8-5	1		19-25	10		15-49	6
1565098	10-7	12		9-6	1		19-27	10		15-50	7
1565125	1-49	16		10-3	2		19-29	10		15-53	7
	1-51	16		10-12	4		19-31	10	1578714	15-53	3
	7-13	2	1566210	1-76			19-33	10	1578746	15-31	7
	7-15	3	1566227	7-29	20	1569912	12-19	15		15-40	1
1565127	11-5	10		7-29	21	1569913	12-19	15	1578747	15-31	2
	11-7	10		7-41	12	1569914	12-19	15		15-37	18
1565212	6-3	9		7-41	13	1569915	12-19	15	1578748	15-31	2
	6-5	11	1566420	7-80	4	1569973	8-8	17		15-37	18
1565290	14-7	2		8-5	22		9-10	15	1578875	15-45	9
1565303	14-7	6	1566462	12-3	9	1570298	14-3	30		15-47	8
1565305	14-7	27	1566654	3-33	13		14-11	17	1578882	15-49	8
1565309	14-7			10-4	26	1570339	15-15	2		15-50	5
1565310	14-7		1566700	13-17		1570340	15-15	4		15-53	5
1565311	14-7		1566726	1-7	17	1570347	15-15	12	1578883	15-47	3
1565312	14-7		1566767	1-59		1570360	11-27	27		15-49	7
1565313	14-7	12	1566849	19-5	3	1571029	1-63	28		15-50	4
1565314	14-7	12	1566853	1-7	18	1571841	1-72			15-53	4
1565315	14-8			19-5	6	1573549	7-3	25	1578887	15-49	3
1565316	14-7		1566951	1-105	7		7-5	14	1578888	15-45	8
1565324	12-23		1567333	8-5	25		7-7	14	1578889	15-47	5
1565327	12-23	2	1567469	8-7	6		7-17	5		15-49	9
1565407	4-25	13		8-8	14		10-11	20		15-50	6
	9-3	7	1567470	8-7	6		15-34	13		15-53	6
	9-5	7		8-8	14	1573774	1-91	8	1578905	15-49	13
1565453	2-11	9		8-10	41	1574111	6-7	3	1578906	15-50	10
	3-10	6		8-10	42	1574260	6-7	4		15-53	10
	4-13	6	1567674	2-9	9	1574301	1-49	2	1578940	15-37	2
1565691	3-3	15		3-3	22		1-51	2		15-47	9
	4-11	7		3-5	22	1578665	15-11	5	1578943	15-37	4
1565692	2-9	7		4-11	11	1578671	15-9	11	1578978	12-19	11
	3-3	15	1568075	14-3	31		15-11	11	1578981	12-19	14
	3-5	15		14-11	15	1578672	15-9	7	1579403	10-15	8
	4-11	7	1568199	15-3	19		15-11	12	1579412	19-9	2
1566076	7-29	20	1568271	13-15	8	1578673	15-9	6	1579454	12-21	28
	7-29	21	1568839	5-25	15		15-11	6		14-7	
1566116	7-30	25		5-27	18	1578693	15-9	11	1579455	12-21	14
	7-33	21	1568853	5-25	13		15-11	11		14-7	
	7-38	22		5-27	16	1578705	15-37	16	1579837	1-95	20
	7-42	24	1569079	3-3	1		15-39	5	1579908	13-9	
1566117	7-30	26	1569465	1-47	25	1578707	15-31	3		13-11	
	7-34	22		1-84	4		15-40	4	1580097	15-31	2
	7-38	23		1-87	7		15-43	7		15-37	
	7-42	25		1-89	8	1578711	15-49	2	1580131	15-31	3
1566131	14-4			5-10	10		15-50	2		15-40	10
1566141	14-4	3		5-14	10		15-53	2		15-55	3
1566142	14-4	2	1569602	15-37	20	1578712	15-40	3	1580146	15-31	1
1566143	14-4	8		15-43	11		15-45	5		15-31	1
1566144	14-4	7	1569616	14-15	9		15-47	13	1580147	15-39	4



**NUMERICAL INDEX (continued)**

<b>PART NO.</b>	<b>PAGE</b>	<b>ITEM</b>	<b>PART NO.</b>	<b>PAGE</b>	<b>ITEM</b>	<b>PART NO.</b>	<b>PAGE</b>	<b>ITEM</b>	<b>PART NO.</b>	<b>PAGE</b>	<b>ITEM</b>
1580148	15-31	1		17-7	20	1581842	17-20	19		6-21	15
	15-31	1	1581557	5-27	23	1581843	17-20	19		7-3	20
1580155	15-40	2		16-3	18	1581848	5-27	31		7-5	5
1580156	15-40	2		16-7	15		15-57	12		7-7	6
1580426	13-19	4		17-14	31	1581849	17-7	11		7-11	3
	13-21	4		18-3	20		17-13	18		7-23	3
1580427	13-19	3		18-12	23		17-20	30		7-80	7
	13-21	3	1581559	17-13	17		18-16	25		8-5	17
1580652	1-9	3		18-16	33		18-28	39		9-3	10
1581079	1-97	3	1581566	16-3	19	1581852	1-19	12		9-3	24
1581098	11-21	8		16-7	5		1-21	10		9-5	10
	11-23	8		16-17	17		1-24	28		9-5	24
	11-31	8		17-7	5		15-57	13		10-4	31
	11-33	8		18-3	19		17-7	12		19-7	9
	11-35	8		18-11	14		17-13	2	1582465	7-5	6
1581099	11-21	9		18-27	3	1581854	19-35	8		7-7	7
	11-23	9	1581567	1-98	3		19-37	4	1582484	10-7	10
	11-31	9		17-14	30	1581858	13-9	37	1582486	10-7	11
	11-33	9		18-28	53		15-43	10	1583169	12-3	6
	11-35	9	1581579	5-25	12	1581860	15-37	11	1583611	1-7	5
1581100	11-21	10		5-27	8		15-39	9		1-9	34
	11-23	10		18-29	61	1581861	15-37	12		1-49	3
	11-31	10	1581580	18-28	41	1581862	15-45	6		1-49	20
	11-33	10	1581581	16-17	16	1581887	5-27	26		1-51	3
	11-35	10	1581582	16-17	14	1581888	5-27	21		1-51	20
1581107	11-21	18	1581583	5-25	4	1582072	1-91	22		1-57	15
	11-23	18		5-27	34	1582141	19-8	2		1-91	10
	11-31	18		16-17	11	1582150	10-4	18		1-95	8
	11-33	19		17-7	21	1582151	10-3	12		1-98	1
	11-35	18		18-28	23	1582160	15-3	9		3-3	13
1581108	11-21	7	1581584	18-27	15		15-5	10		3-5	13
	11-23	7	1581587	17-14	27	1582161	15-3	10		5-3	8
	11-31	7	1581590	17-13	1		15-5	9		5-9	10
	11-33	7	1581591	16-17	8	1582218	10-15	1		5-25	26
	11-35	7		18-15	13	1582222	2-5	12		5-27	38
1581109	11-31	15		18-28	29		2-7	12		6-3	13
	11-33	15	1581739	5-25	25		3-7	14		6-5	14
	11-35	15		5-27	36		3-9	14		7-15	26
1581438	5-3	5	1581741	17-19	14		4-5	6		15-23	7
	6-3	4	1581827	17-14	20		4-7	11		15-25	3
	6-5	8		18-15	12		4-9	6		15-27	7
1581439	5-3	6		18-28	38	1582300	5-21	16		15-29	3
	5-9	6	1581828	17-13	14		5-23	32		19-8	6
	6-3	5	1581829	17-7	14		6-19	16		19-9	3
	6-5	9	1581830	17-20	25		6-21	32		19-11	3
1581441	3-31	2		18-28	52	1582301	5-21	15	1583732	12-17	6
1581534	15-9	8	1581833	19-35	7		5-23	31	1584632	1-17	9
	15-11			19-37	5		6-19	15		1-27	9
1581536	15-9	3	1581835	15-9	10		6-21	31	1584638	1-17	11
	15-11	4		17-7	21	1582337	7-3	16		1-27	11
1581556	5-25	3	1581836	16-7	2	1582464	1-7	16	1584643	1-23	2
	5-27	35	1581841	17-14	32		5-23	15	1584690	12-3	11

## NUMERICAL INDEX (continued)

PART NO.	PAGE	ITEM	PART NO.	PAGE	ITEM	PART NO.	PAGE	ITEM	PART NO.	PAGE	ITEM
1584693	13-19	3		7-77	44	1589832	12-7	10	1591454	10-4	30
	13-21	3	1588247	1-91	19	1589833	12-9	1	1592853	16-7	9
1584694	12-27	3	1588507	3-3	11	1589834	12-9	2		18-11	16
	12-29	3	1588577	14-15	22	1589835	12-9	4	1593391	6-9	22
	12-31	3		14-17	26	1589836	12-9	4	1593629	1-69	
1584695	12-27	3	1588833	1-84	5	1589837	12-9	4		1-71	38
	12-29	3		1-87	4	1589838	12-9	4	1594055	10-4	33
1584987	15-9	8		1-89	5	1589839	12-9	6	1595425	11-21	
	15-11		1589195	19-7	2	1589840	12-9	7		11-23	
1585073			1589312	2-5	23	1589841	12-9	8		11-31	
1585074				2-7	23	1589842	12-9	9		11-33	
1585075				4-9	16	1589843	12-9	10		11-35	
1585212	3-9	3	1589377	1-107	4	1589844	12-9	11	1595428	11-35	20
1585575	14-3	24	1589397	1-107	5	1589845	12-9	12	1595429	11-33	21
	14-11	14	1589437	1-107	6	1589846	12-9	13	1595430	11-31	20
1585581	1-9	10	1589621	7-21	4	1589847	12-10	1	1595731	7-21	6
1585592	1-9	21	1589635	3-7	24	1589848	12-10	2	1596420	18-28	19
1585750	11-29	5		3-9	24	1589850	12-10	4	1596624	1-43	3
1586013	5-25	28	1589787	1-49	5	1589851	12-10	5	1596625	1-43	4
	5-27	42		1-51	5	1589853	12-10	7	1597381	15-57	14
	15-57	3	1589790	12-5	2	1589857	12-11	8	1597448	1-47	15
1586022	5-27	32	1589793	12-5	5	1589860	12-11	10		17-19	6
1586109	13-2	4	1589796	12-5	6	1589861	12-11	11		18-27	2
	13-3	4	1589797	12-5	7	1589867	12-3	10		18-28	54
1586428	7-13	8	1589798	12-5	9		12-13	5	1597644	6-13	4
	7-15	16	1589801	12-5	13	1589868	12-13	6	1597709	3-31	6
1586430	19-11	4	1589805	12-5	17	1589869	12-13	7	1597710	3-31	8
1586432	1-97	4	1589806	12-5	14	1589870	12-13	8	1598210	1-63	11
1586440	1-105	14	1589807	12-5	12	1589873	12-13	11	1598211	1-63	12
1586495	1-7	11	1589808	12-5	18	1589874	12-13	12	1598220	1-7	13
	1-91	6	1589809	12-5	19	1589875	12-13	13	1598290	1-63	5
	7-13	4	1589810	12-5	20	1589876	12-13	14		1-67	
	7-15	18	1589811	12-5	21	1589878	12-13	16	1598291	1-63	23
	7-15	23	1589812	12-5	22	1589879	12-13	17	1598293	1-63	1
1586627	15-17	10	1589813	12-5	23	1589880	12-13	18	1598295	1-63	6
	15-23	22	1589814	12-5	3	1589881	12-13	19	1598296	1-63	3
	15-25	13	1589816	12-7	2	1589886	12-13	20	1598297	1-63	2
	15-27	23	1589817	12-7	3	1589887	12-13	20	1598301	1-63	26
	15-29	14	1589818	12-7	4	1589924	12-13	22	1598302	1-63	25
1586629	1-98	4	1589819	12-7	5	1590033	14-3	33	1598305	1-105	12
1586630	1-97	2	1589820	12-7	6		14-11	33	1598322	1-105	12
1586759	7-13	7	1589821	12-7	6	1590145	1-91	31	1598324	1-105	12
	7-15	15	1589822	12-7	6	1590147	1-91	38	1598326	1-105	12
1586790	19-5	7	1589823	12-7	6	1590152	1-5	9	1598327	1-57	18
1587440	12-31		1589824	12-7	6	1590153	1-5	10		1-72	47
1587441	12-25	1	1589825	12-7	6	1590204	12-7	1		1-84	1
1587778	7-59	32	1589826	12-7	6	1590206	12-7	1	1598329	1-55	13
	7-59	44	1589827	12-7	6	1590279	1-5	7		1-57	11
	7-65	39	1589828	12-7	6	1590280	1-5	8	1598332	1-55	3
	7-71	32	1589829	12-7	7	1590839	11-36	13		1-57	3
	7-71	44	1589830	12-7	8	1590865	11-36	10	1598333	1-55	1
	7-77	32	1589831	12-7	9	1590866	11-36	11		1-57	1

**NUMERICAL INDEX (continued)**

<b>PART NO.</b>	<b>PAGE</b>	<b>ITEM</b>	<b>PART NO.</b>	<b>PAGE</b>	<b>ITEM</b>	<b>PART NO.</b>	<b>PAGE</b>	<b>ITEM</b>	<b>PART NO.</b>	<b>PAGE</b>	<b>ITEM</b>
1598389	1-69	15		3-33	12	1599519	3-13	19		3-29	11
	1-71	7	1599446	3-17	6	1599520	3-13	20	1599576	3-27	9
1598390	1-69	13	1599448	3-17	9	1599521	3-13	21	1599578	3-27	11
	1-69			3-23	4	1599522	3-13	43	1599579	3-27	8
	1-71	30		3-31	4	1599523	3-13	42		3-31	5
1598392	1-69	5		3-33	10	1599525	3-13	11	1599580	3-27	14
1598393	1-69	3		3-33	11	1599526	3-13	12	1599581	3-27	13
	1-71	17	1599449	3-17	7	1599528	3-13	14	1599582	3-27	12
1598394	1-69	4	1599451	3-17	4	1599529	3-13	22	1599583	3-29	9
	1-71	16	1599454	3-17	13	1599530	3-13	23	1599584	3-29	10
1598395	1-69	14	1599455	3-17	14	1599531	3-13	24	1599585	3-29	12
1598397	1-69	20	1599458	3-17	15	1599532	3-13	25	1599586	3-29	13
1598398	1-71	3		3-21	9	1599533	3-13	26	1599588	3-29	16
1598399	1-71	11		3-23	7	1599534	3-13	27	1599589	3-29	15
1598400	1-71	13	1599459	3-21	1	1599535	3-13	28	1599590	3-29	14
1598401	1-71	12	1599460	3-21	2	1599536	3-13	29	1599591	3-29	18
1598404	1-71	31	1599461	3-21	3		3-13	32	1599592	3-29	1
	1-76		1599462	3-21	15	1599537	3-13	30	1599593	3-29	2
1598408	1-71	41	1599463	3-13	6		3-13	33	1599594	3-29	4
1598409	1-71	40		3-21	16	1599538	3-13	31	1599595	3-29	3
1598410	1-71	35	1599464	3-13	7	1599539	3-13	34	1599596	3-29	5
1598411	1-71	15		3-21	17	1599540	3-13	35	1599597	3-29	6
1598412	1-71	42	1599465	3-21	12	1599541	3-13	36	1599598	3-29	8
1598416	1-71	1	1599466	3-21	10	1599542	3-13	37	1599600	3-29	1
1598417	1-69	1	1599467	3-21	13	1599543	3-19	2	1599601	3-29	2
1598422	1-59	5	1599468	3-17	16	1599544	3-13	8	1599604	3-33	1
1598424	1-59	13		3-33	8	1599545	3-13	1	1599605	3-33	3
1598425	1-59	14	1599469	3-17	17	1599546	3-13	2	1599606	3-33	2
1598504	1-19	2	1599470	3-14	46	1599547	3-13	3	1599607	3-33	4
	1-21	19		3-21	5	1599548	3-13	4	1599610	3-33	7
	1-23	24		3-27	7	1599549	3-13	5	1599611	3-33	9
1598645	10-11	2		3-33	5	1599550	3-13	9	1599612	3-33	10
1598660	18-15	6	1599471	3-21	8	1599552	3-13	40	1599613	3-33	13
1598668	1-57	14	1599472	3-21	7	1599553	3-13	38	1599616	3-33	14
1598669	1-71	29	1599473	3-21	4	1599555	3-14	47	1599793	3-33	15
1598670	1-71	24	1599475	3-19	3	1599556	3-19	1	1599797	3-31	12
1598671	1-76	3		3-21	11	1599557	3-13	39	1599798	3-31	9
1598672	1-76	2	1599476	3-21	6	1599559	3-19	4	1599800	3-31	7
1598673	1-76		1599478	3-21		1599560	3-19	5	1599801	3-31	10
1598674	1-76	1		3-23		1599561	3-19	6		6-11	8
1598675	1-76	4	1599479	3-23	1	1599562	3-19	7	1599802	3-31	14
1599415	1-7	10	1599480	3-23	2	1599563	3-19	8	1599803	3-31	11
	1-49	14	1599481	3-23	3	1599565	3-19	10	1599804	3-31	1
	1-51	14	1599483	3-23	5	1599567	3-19	11	1599807	3-31	13
	1-75	5	1599485	3-23	8	1599568	3-19	12	1599815	3-31	1
1599440	3-17	1	1599486	3-14	45		3-27	7	1599818	3-13	41
1599441	3-13	13	1599487	3-14	44	1599569	3-27	1		6-13	5
	3-17	2	1599488	3-13	10	1599570	3-27	2	1599819	6-13	7
1599442	3-17	3	1599489	3-13	15	1599571	3-27	3	1599820	6-13	6
1599443	3-17	12	1599516	3-13	16	1599572	3-27	4	1599821	6-13	17
1599444	3-17	5	1599517	3-13	17	1599573	3-27	5	1599822	6-13	18
1599445	3-17	8	1599518	3-13	18	1599574	3-27	6		6-13	20

## NUMERICAL INDEX (continued)

PART NO.	PAGE	ITEM	PART NO.	PAGE	ITEM	PART NO.	PAGE	ITEM	PART NO.	PAGE	ITEM
1599823	6-13	19		3-21		1603460	12-24	1	1609709	1-43	7
1599824	6-13	16		3-23		1603461	12-24	1	1609864	19-13	2
1599825	6-13	15		3-31		1603462	12-24	1	1610508	12-11	9
1599826	6-13	14		3-33		1603463	12-24	1	1610510	12-11	3
1599827	6-13	13		6-13		1603464	12-25	1	1610512	12-11	5
1599828	6-13	8	1599907	6-13	26	1603467	13-22	1	1610514	12-11	6
1599829	6-13	9	1599908	6-13	27	1603469	13-22	1	1610516	12-11	1
1599830	6-13	12	1599909	6-13	21	1603487	12-24	3	1610521	12-11	2
1599831	6-13	11	1599910	6-13	23		12-25	3	1610522	12-9	3
1599832	6-13	10	1599911	6-13	22	1603488	12-24	3	1610746	11-36	4
1599833	6-11	1	1599912	6-13	25	1603491	13-22	3	1611535	12-3	9
1599834	6-11	2	1599913	6-13	24	1603493	13-22	3	1611852	3-3	11
1599835	6-11	3	1600086	3-31	1	1605768	7-17	7		3-5	11
1599836	6-11	4	1600093	6-13	4		15-17	14	1612617	1-84	12
1599837	6-11	5	1600273	3-13	10	1606085	14-7		1613324	7-15	10
1599839	6-11	7	1600275	3-29	9	1606086	14-7			14-15	24
1599841	6-11	9	1600276	3-29	1	1606087	14-7	1		14-17	23
1599842	6-11	10	1600277	3-29	2	1606088	14-7	1		15-17	20
1599843	6-11	11	1600278	3-29	1	1606532	12-23		1613375	12-13	1
1599845	10-3	1	1600279	3-29	2	1606544	7-5	13	1613376	12-13	2
1599847	10-3	1	1600491	14-7	20		7-7	13	1613377	12-13	3
1599848	10-3	1	1600492	14-7	20		7-17	4	1613378	12-13	4
1599850	10-3	1	1600493	14-7	27		10-11	19	1613380	12-13	9
1599851	10-3	1	1600539	12-3	9		14-19	15	1613381	12-13	15
	10-3	1	1601748	1-105	13		19-23	15	1613382	12-13	21
1599853	10-3	1	1602394	19-5			19-25	15	1613383	12-3	10
1599855	10-3	1	1602395	19-5			19-27	15	1613386	12-3	10
1599860	10-3	1	1602431	7-60	59		19-29	15	1613734	1-49	22
1599861	10-3	1		7-67	63		19-31	15		1-51	22
1599862	10-3	1		7-79	60		19-33	15	1614672	12-21	6
1599863	10-3	1		8-8	15	1606735	7-5	15	1614686	1-49	12
1599864	10-3	1		8-8	23		7-7	15		1-51	12
1599865	10-3	1		8-9	28		7-17	6	1614687	1-49	12
1599866	10-3	1	1603021	7-17	3	1606750	13-3	7		1-51	12
1599867	10-3	1		7-29	13	1606855	17-19	1	1614926	1-57	19
1599869	10-5	1		7-33	9	1607549	8-8	22	1615149	1-23	4
1599870	10-5	7		7-37	13		9-10	20	1615163	7-21	2
1599873	10-5	1		7-41	15	1608589	7-13	17	1615671	5-27	30
1599874	10-5	1		7-51	6	1608590	7-13	14	1615804	11-29	23
1599875	10-5	1		7-51	9	1608591	7-15	8	1615813	1-63	5
1599876	10-5	1		7-53	6	1608592	7-15	12		1-67	16
1599877	10-5	1		8-9	37	1608616	6-13	2	1615860	10-11	18
1599878	10-5	1		9-10	19	1608617	6-13	2	1615956	5-25	18
1599879	10-5	1	1603236	7-17	3	1608622	13-2	2		5-27	27
1599893	10-5	2		7-29	13		13-3	2	1615998	1-63	5
1599894	10-5	3		7-33	9	1608654	7-13	19		1-67	17
1599895	10-5	5		7-37	13	1608857	9-5	32	1615999	1-63	5
1599896	10-5	6		7-41	15	1608865	10-11	1		1-67	18
1599897	10-5	4		7-51	6	1608877	1-9	15	1616054	14-15	14
1599898	3-14			7-51	9	1608879	1-9	17	1616055	14-15	15
	3-17			7-53	6	1608928	10-11	3	1616379	1-9	4
	3-19			8-9	37	1609707	1-43	5	1616427	3-31	3

**NUMERICAL INDEX (continued)**

<b>PART NO.</b>	<b>PAGE</b>	<b>ITEM</b>	<b>PART NO.</b>	<b>PAGE</b>	<b>ITEM</b>	<b>PART NO.</b>	<b>PAGE</b>	<b>ITEM</b>	<b>PART NO.</b>	<b>PAGE</b>	<b>ITEM</b>
1616480	1-43	8		7-59	28	1636645	11-15	5	1646439	14-11	24
1616481	1-43	9		7-59	34		11-27	14	1646456	4-23	2
1616484	1-43	10		7-61	60	1636647	1-49			8-5	15
1616485	1-43	11		7-65	30		1-51		1646726	1-55	5
1616491	6-15	8		7-65	32	1636797	6-3	16	1646728	1-55	17
1616979	11-9	12		7-65	37		6-5	3	1646729	1-55	2
1617080	7-3	22		7-66	55	1636853	1-49	9		1-57	2
1617600	10-11	12		7-71	26		1-51	9		1-72	
1617614	10-11	13		7-71	28	1637285	1-23	5	1646881	11-27	3
1617657	15-17	1		7-71	34	1637661	5-27	37		11-35	
	17-20	18		7-77	26	1638793	11-27	7	1646882	11-27	4
1617658	17-19	3		7-77	28	1639003	1-63	7		11-31	
1618311	12-21	21		7-77	34	1639004	1-55	7	1646883	11-27	5
1618992	1-95	9	1627172	1-75			1-57	4		11-33	
1620023	14-12		1627173	1-75	3	1640776	1-98	3	1647440	7-15	7
1620024	14-12		1627174	1-75	1	1641054	1-59	9	1649565	5-25	8
1622236	3-3	6	1627175	1-75	2	1641351	12-21	25		5-27	6
1622272	3-5	6	1627176	1-75		1641368	7-3	12	1650404	2-37	9
1622887	11-29	30	1627177	1-75	3	1641637	1-67	4	1650640	1-29	17
1622946	17-16	14	1627178	1-75	1	1641640	1-67	5	1650797	8-9	38
	18-23	7	1627179	1-75	2		1-81	11		8-10	40
1623050	8-9	26	1627180	1-75			1-83	7		9-9	9
1623093	3-25	17	1627453	11-29	31	1641660	1-49	1		9-11	27
1623280	7-51	4	1627465	11-29	24		1-55		1650819	11-27	38
	7-53	1	1627827	5-27	30		1-57			11-36	7
1623281	7-51	4	1629155	15-43	10		1-59		1651739	1-59	11
	7-53	1	1629185	19-13	1		1-63			1-69	9
1623364	1-59	4	1632741	11-17	3		1-75			1-69	15
	1-63	10		11-27	37	1641944	9-10	16		1-71	2
1623366	1-63	27	1632865	7-58	22	1641945	9-10	16	1651753	11-31	2
1623370	1-59	6		7-60	51	1641947	8-8	21	1651814	1-69	1
1623377	1-63	33		7-60	53		9-10	16	1652290	19-2	1
1623391	1-69	7		7-60	58	1641949	8-8	22	1652426	1-71	1
	1-71	10		7-70	22		9-10	20	1652575	11-27	24
1623393	1-69	8		7-72	51	1643584	1-57	16	1652722	1-49	1
	1-71	18		7-72	53		1-72	46		1-55	
1623395	1-71	4		7-72	58	1643935	7-3	10		1-57	
1623397	1-72		1633307	2-9	8	1643936	7-3	10		1-59	
1623400	1-71	32		3-3	16	1643947	1-5	5		1-63	
1623402	1-76			3-5	16	1644398	15-5	24		1-69	
1623403	1-71	28		4-11	10		19-23	14		1-71	
1624401	11-17	2	1634451	12-21	6		19-25	14	1652926	12-17	18
	11-27	36	1636120	1-19	2		19-27	14	1653569	3-25	10
1624406	11-27	35		1-21	19		19-29	14	1653630	1-63	7
1624408	11-29	27		1-23	24		19-31	14	1653754	11-27	15
1624904	15-3	13	1636409	4-5	3		19-33	14	1653815	11-29	39
1625462	19-5	3		4-9	3	1644804	1-81	9	1653967	1-69	2
1625760	3-3	6	1636410	2-5	3		1-83	5		1-81	
1625999	2-13	4		2-7	3	1645316	1-63	6	1653970	1-71	19
1626461	18-28	51	1636626	11-29	6	1645317	1-63	6		1-83	
1626478	7-21	7	1636630	11-27	1	1645381	14-11	24	1653972	1-71	6
1626727	7-59	26	1636640	11-27	21	1646397	14-11	24	1653973	1-69	16

## NUMERICAL INDEX (continued)

PART NO.	PAGE	ITEM	PART NO.	PAGE	ITEM	PART NO.	PAGE	ITEM	PART NO.	PAGE	ITEM
1654013	7-13	9		4-11	17	1672560	1-9	20		1-71	
	7-15	17	1664395	15-47	6	1672692	7-3	31	1683486	14-3	17
	19-2			15-49	1	1672722	1-43	12		14-9	3
1654156	5-21	7		15-50	1	1672723	1-43	13		14-11	4
	5-23	26		15-53	1	1672724	1-43	14		14-19	3
	6-19	7	1665205	11-27	26	1673198	2-9	29	1683529	15-33	1
	6-21	26		11-36			11-5	11	1683621	15-33	2
1654298	1-76		1665746	15-25	1		11-7	11	1684389	11-17	24
1654651	11-15	23	1665747	15-29	1	1673754	15-34	7	1684542	7-5	9
	11-27	11	1665748	15-27	1		19-47	5	1687376	5-25	
1654754	5-21	5	1666732	1-9	2		19-49	4		5-28	
	5-23	24	1667630	1-63	20	1674030	1-9	33	1687534	15-49	14
	6-19	5	1667632	1-63	17	1674073	1-71	23		15-50	2
	6-21	24	1669224	1-63	17	1674088	1-63	33	1687933	6-7	5
1655865	1-29	3	1670032	19-47	6	1674101	1-63	8	1688198	1-59	9
	1-29	12		19-49	5	1674102	1-55	16		1-61	10
1655880	11-15	21	1670054	15-31	1	1674103	1-55	12	1688200	1-57	14
1656215	19-11	2		15-31	1		1-69	17	1688435	11-15	3
1656216	19-11	2		15-37	14	1674106	1-55	20	1688503	14-3	16
1656325	5-25	7		15-39		1674109	1-63			14-11	2
	5-27	5	1670194	15-23	1	1674131	1-9	30	1688598	11-17	13
1656333	12-17	8	1670195	15-23	14	1675647	11-17	26	1688719	5-27	30
1656901	5-25	10	1670196	15-27	13		11-19		1688803	5-25	29
	5-27	10	1670292	15-25	4	1676323	11-15	9	1689544	5-13	4
1657226	14-19	12	1670293	15-29	4		11-21			5-17	4
1658075	7-21	8	1670332	14-12	1	1676324	11-15	8		5-18	5
1658142	15-45	6	1670334	14-12	2		11-23			5-19	5
1658934	19-15	4	1670413	15-33	4	1676326	11-19	3	1689551	5-25	27
	19-17	4	1670421	1-67	10	1676327	11-19	2	1689742	3-17	1
	19-19	6	1670422	1-67	19	1676328	11-19	7	1689744	3-14	
	19-20	4	1670423	1-67	13	1676836	1-9			3-17	
1660415	18-15	7	1670424	1-67	3	1677286	1-19	15		3-19	
1660500	11-15	24	1670425	1-67	11		1-21	7		3-21	
	11-27	38	1670426	1-67	14		1-23	12		3-23	
	11-36	7	1670427	1-67	6	1677428	1-105	6		3-31	
1661511	1-29	2	1670428	1-67	7	1677793	5-5	1		3-33	
	1-29	11	1670429	1-67	8		6-3	2		6-13	
1661971	1-79	5	1670430	1-67	20		6-6	2	1689747	3-27	15
1662253	5-13	3	1670434	15-31	1	1677833	5-5	6		6-13	1
	5-18	14		15-31	1		6-3		1690931	1-69	1
1662420	15-23	17		15-37	14		6-6		1690933	1-63	18
	15-25	10		15-39		1678165	15-34	6	1690934	1-63	19
	15-27	15	1670440	1-67	15	1678166	15-55		1690936	1-55	6
	15-29	11	1670441	1-67	1	1682758	5-25	31	1691525	11-3	12
1663276	8-9	31	1670442	1-67	9		5-27	48		11-5	13
1663443	1-101	1	1670443	1-67	2	1683428	1-51	1		11-9	9
1663450	1-101	1	1670444	1-67	12		1-55		1692229	14-12	1
1663460	1-101	1	1670445	15-37	14		1-57		1692586	1-64	
1663467	1-101	1	1670522	15-37	8		1-59		1692587	1-63	17
1663877	2-9	15	1670677	15-23	5		1-61		1692589	1-55	19
	3-3	21		15-27	5		1-63		1693371	7-80	5
	3-5	21	1670905	14-11	38		1-69		1694700	1-21	3

**NUMERICAL INDEX (continued)**

<b>PART NO.</b>	<b>PAGE</b>	<b>ITEM</b>	<b>PART NO.</b>	<b>PAGE</b>	<b>ITEM</b>	<b>PART NO.</b>	<b>PAGE</b>	<b>ITEM</b>	<b>PART NO.</b>	<b>PAGE</b>	<b>ITEM</b>
1694830	1-19	6	1703607	14-11	34	1705892	1-95	19	2022352	12-19	11
	1-21	5		14-12		1707008	14-3	29	2026861	12-19	8
	1-24	33	1703644	11-17	5	1707194	15-15		2027655	1-95	14
1695807	19-13	1	1703890	1-17	8	1707341	3-25	11	2027661	12-17	17
1696161	16-17	2		1-27	8		3-29	17	2027662	12-21	11
	18-15	14	1703891	1-17	1	1707678	1-43	16	2027663	12-21	7
	18-28	20		1-27	1	1707826	3-23	6	2027756	12-21	4
	18-28	45	1703892	1-13	4	1708054	15-55	2	2027817	12-21	12
1697665	11-13	1		1-15	8	1708364	19-17	12	2027828	12-21	19
1698449	7-25	9		1-23	7		19-17	12	2027949	6-17	4
	7-25	20	1703893	1-13	5		19-19	13	2028145	12-21	3
	7-27	9		1-15	1		19-19	13	2028621	12-21	10
	7-27	20		1-23	8	1708371	3-7	13	2028862	12-19	14
1698541	7-15	22	1703894	1-13	5		3-9	13	2029383	12-23	5
1698542	7-15	25		1-15	4		4-5	14	2029436	12-17	14
1699754	7-59	42	1703895	1-19			4-7	9	2034347	1-101	2
	7-65	42		1-21			4-9	14	2034460	1-105	3
	7-71	42		1-24		1708457	3-27	15	2037323	14-7	21
	7-77	42	1703896	1-19			6-13	1	2037340	14-7	19
1699992	14-3	4		1-21		1708596	15-15		2037341	14-7	22
	14-11	8	1703898	1-13	2	1708700	15-15	1	2037343	14-7	7
1700460	7-29	15	1703899	1-13	3	1708834	1-43	17	2037517	14-7	17
	7-29	17		1-23	5	1708835	1-43	18	2037518	14-7	17
	7-33	10	1703900	1-13	1	1709587	7-25	8	2038100	1-107	3
	7-33	12		1-23	5		7-27	8	2041520	14-4	1
	7-37	14	1703901	1-13	2	1709980	1-91	25	2043528	19-35	3
	7-37	15	1703902	1-13	3	1709996	2-5	10		19-37	15
	7-41	16		1-23	5		2-7	10		19-39	15
	7-41	17	1703903	1-13	1		3-7	12		19-45	
1700461	7-29	15		1-23	5		3-9	12	2043529	19-35	3
	7-29	17	1703904	1-13	6		4-5	13		19-37	15
	7-33	10	1704528	7-25	11		4-7	8		19-39	15
	7-33	12		7-25	11		4-9	13		19-45	
	7-37	14		7-25	11	1710006	1-91	26	2043531	19-35	4
	7-37	15		7-27	11	1710007	1-95	1		19-37	11
	7-41	16		7-27	11	1720462	3-29	14		19-39	11
	7-41	17	1704529	7-25	13	1720519	3-17	14	2043532	19-35	4
1701768	14-9	5		7-27	13	2013088	17-16	9		19-37	11
	14-19	5	1704793	5-3	18		18-24	9		19-39	11
				6-3		2013089	17-16	10	2043533	19-35	5
1701958	1-61	12		6-6			18-23	8		19-37	8
1701959	1-61	7				2021341	14-3	1		19-39	8
1701960	1-61	4	1704902	14-3	25	2021343	14-3	1	2043534	19-35	5
1701961	1-71	1		14-11	19	2021353	14-3	5		19-37	8
1701962	1-71	37	1705156	1-55	13		14-11	10		19-39	8
1701964	1-71	6		1-57	11	2021394	2-5	22	2044370	15-59	4
1701965	1-72		1705359	7-25	12		2-7	22	2044371	13-17	9
1701966	1-72			7-25	12		3-7	1		15-61	5
1702335	11-15	2		7-27	12		4-5	18	2044712	1-55	1
1702336	11-15	16		7-27	12		4-7	4		1-57	1
1702520	11-17	10	1705548	15-15	3	2021395	1-5	6		7-9	1
1703020	11-37	10	1705878	1-43	15	2021683	6-9	19	2045872	16-9	3
1703021	11-37	8	1705891	1-95	19						

## NUMERICAL INDEX (continued)

PART NO.	PAGE	ITEM	PART NO.	PAGE	ITEM	PART NO.	PAGE	ITEM	PART NO.	PAGE	ITEM
2046164	18-19	3		5-23	19	2069008	1-91	35	2070147	11-13	2
2053796	17-16			6-19	12	2069186	15-57	17		11-24	2
2056824	7-13	1		6-21	19		15-61		2070223	1-7	17
	7-15	1	2063991	15-23	24	2069187	15-57	15	2070263	11-15	25
2056826	7-15	2		15-25	15		15-59			11-27	32
2057948	7-18	8		15-27	25	2069188	15-57	16		11-36	14
2058000	6-9			15-29	16		15-59		2070512	9-9	7
2058110	7-3	19	2064554	14-3		2069189	15-57	18	2070561	7-13	16
2058111	7-3	17		14-11	21		15-61			7-15	9
2058213	17-16	1	2064929	19-7	1	2069203	1-91	2	2070562	7-13	15
2058252	17-16	1	2065001	17-20	21	2069225	8-2	2		7-15	11
2058326	17-16			17-20	21		8-5	2	2070563	7-13	15
2058500	17-11	1	2065030	17-20	20	2069226	10-3	3		7-13	16
	17-11	1		17-20	20	2069381	7-54	1		7-15	9
2058536	17-9	1	2065051	15-18	27	2069431	7-18	4		7-15	11
	17-9	1	2065052	15-18	28	2069454	1-7	17	2070655	1-109	
2058619	17-11		2065098	10-3	4	2069464	1-95	15		15-27	22
2058651	17-9			10-12		2069544	1-91	36		15-29	10
2058823	17-11		2065211	17-19	4	2069545	1-91	36	2070677	5-18	2
2059895	5-13	19		17-19	4	2069550	1-91	36		5-19	2
	5-17	20	2065241	17-19	8	2069688	3-5	4	2070769	1-84	7
2059937	14-3	10		17-19	8	2069951	2-11	8	2070771	19-7	10
2060032	7-18	6	2065666	1-95	13		3-10	5	2070975	1-95	4
2060033	7-18	11	2065667	1-95	5		4-13	1	2070996	1-49	15
2060422	17-9		2065745	7-3	11	2069954	1-91	36	2071094	13-17	2
2060555	7-54	1	2065796	1-95	18	2070018	15-61	2	2071096	13-15	4
	9-11	28	2065826	1-95	16	2070072	3-3	4		13-17	
2060751	15-3	5	2065827	1-95	17	2070073	12-27	2	2071181	5-21	1
	15-5	5	2066482	7-18	5		12-29	2		6-19	1
2061333	8-8	16	2066483	7-18	4	2070074	12-27	2	2071197	1-91	15
	9-9	7	2066484	7-18	12		12-29	2	2071198	1-91	9
	9-9	12	2066485	7-18	3	2070075	12-27	2	2071261	5-5	3
2061646	15-17	17	2066783	15-17	4		12-29	2		6-3	18
2062651	16-7	3	2067044	13-19	2	2070076	12-27	2		6-6	3
	17-7	8		13-21	2		12-29	2	2071262	1-91	7
	18-11	19	2067045	13-19	2	2070077	12-24	2	2071517	5-25	35
2062652	16-7	3		13-21	2		12-27	2		5-27	44
	17-7	8		13-22	2		12-29	2	2071595	1-95	6
	18-11	19	2067396	6-17	7	2070078	12-24	2	2071596	1-95	6
2062686	16-7	6	2067476	5-5	7		12-27	2	2072300	5-18	2
	17-7	10		6-3	20		12-29	2		5-19	2
	18-11	18	2067802	15-9		2070079	12-24	2	2072897	14-15	11
2062687	16-7	6	2067962	12-17	16		12-27	2		14-17	10
	17-7	10		12-23			12-29	2	2073024	3-7	
	18-11	18	2067965	12-17	15	2070080	12-24	2		3-9	
2062875	1-29	28	2068015	13-17	10		12-27	2	2073087	18-19	3
2063117	13-9		2068337	15-3	26		12-29	2		18-19	3
	15-31	8	2068342	7-5	8	2070081	13-19	2		18-19	3
2063118	13-9		2068343	7-7	9		13-21	2	2073159	17-9	7
	15-31	8	2068344	7-7	9	2070083	13-19	2		17-11	6
2063265	12-21	26	2068378	3-19	9		13-21	2	2073198	1-105	1
2063842	5-21	12		3-21	14		13-22	2	2073495	15-18	29



**NUMERICAL INDEX (continued)**

<b>PART NO.</b>	<b>PAGE</b>	<b>ITEM</b>	<b>PART NO.</b>	<b>PAGE</b>	<b>ITEM</b>	<b>PART NO.</b>	<b>PAGE</b>	<b>ITEM</b>	<b>PART NO.</b>	<b>PAGE</b>	<b>ITEM</b>
2073496	15-18	30	2084002	3-7	27	2092888	14-11	26	2102559	1-91	11
2073766	19-13	4		3-9	27	2095227	14-15	2	2102640	1-111	1
2074210	1-107	9	2084312	3-21			14-17	2	2104068	13-13	1
2074230	15-9		2084316	3-13	38	2095228	14-15	4	2104070	13-13	1
2074256	1-105	5	2084317	3-27	3	2095889	5-6		2105803	5-13	4
2074325	15-17	22	2084318	3-27	5	2095890	6-7			5-17	4
2074702	5-23	1	2084322	3-29	10	2096902	1-95	17		5-18	5
	6-21	1	2084448	6-11	1	2096903	1-95	16		5-19	5
2075120	12-19	4	2084449	6-11	2	2098082	7-13	11	2105959	7-23	1
2075417	1-105	15	2084450	6-11	3		7-13	13		7-51	
2075454	12-31	2	2084451	6-11	4		7-13	18	2107181	8-2	1
2075455	12-25	2	2084452	6-11	5		7-15	5		8-5	1
	12-31	2	2084453	6-11	6		7-15	6		10-3	2
2075614	1-105	16	2084471	3-29	9		7-15	21	2107187	6-15	14
2075655	1-105	20	2084536	15-17	18	2098083	7-13	11	2107382	7-13	11
2075783	6-3	7	2084810	10-15			7-15	21		7-15	21
2076171	1-105	17	2085104	3-3	3	2098084	7-15	5	2107383	7-15	5
2076289	1-97	3		3-5	3	2098085	7-15	6	2107384	7-15	6
2076536	15-61	1	2085129	11-21	6	2098086	7-13	18	2107385	7-13	18
2076537	15-59	1		11-23	6	2098087	7-13	13	2107386	7-13	13
2076538	15-61	7		11-31	6	2098330	1-95	12	2107524	11-9	1
2076539	15-59	6		11-33	6	2098387	7-13	20	2107957	1-91	4
2076540	15-61	1		11-35	6		7-49			7-13	1
2076541	15-59	1	2085570	3-11	1	2098693	15-11		2107958	1-91	1
2076695	7-18	2	2085942	7-23	1	2098694	15-11			7-13	1
2076696	7-18	2		7-53		2099393	15-23	20	2107969	1-19	17
2077604	14-3	1	2087191	10-3	9		15-25	6		1-21	4
	14-11	24		10-7			15-27	21		1-24	30
2077818	18-19	3	2087209	1-45	1		15-29	9	2108249	7-25	5
2077983	3-33	6	2087215	3-3	3	2099394	15-23	19	2109163	3-7	18
2078335	6-15	9	2087216	3-3	4		15-25	7		3-9	18
2078883	19-7	10	2088124	16-13	3		15-27	20	2109665	11-3	8
2079281	7-11	4		16-13	3		15-29	8		11-5	8
2079326	7-5	12	2089141	3-3	1	2099395	15-25	8		11-9	1
	7-7	12	2089895	2-5	1		15-27	19	2109869	2-9	32
	7-17	1		2-7	1		15-29	7		11-5	9
2079369	13-3	6		4-5	8	2099396	15-29	6		11-7	9
2079843	7-11	15		4-9	8	2099397	15-27	18	2109875	2-9	33
2080376	6-15	7	2090361	5-18	11	2099398	15-23	18		11-3	6
2080581	10-11	16		5-19	11	2099947	1-19	8		11-5	6
2081840	6-9	18	2090613	7-3	2		1-21	20		11-7	6
2081868	1-72	50		7-9			1-23	14		11-9	6
2082680	1-105	15	2090661	7-3	8	2099949	1-19	1	2110024	2-9	28
2083928	14-15	10	2092338	2-7	2		1-23	17		11-3	9
	14-17	20	2092548	3-17	10	2099950	1-19	18		11-7	8
2083955	14-15	19	2092549	3-17	10		1-23	22		11-9	2
	14-17	22	2092550	3-29	7	2100710	7-11	3		11-11	4
2083971	14-15	14	2092551	3-29	7	2100927	3-21	2	2110267	14-17	5
2084000	3-7	26	2092552	3-17	11	2101708	3-21	1	2110791	7-25	2
	3-9	26	2092553	3-17	11	2102226	6-3	17		7-25	3
2084001	3-7	28	2092613	14-11	29		6-5	2		7-25	4
	3-9	9	2092848	6-3	17	2102558	1-91	28		7-27	2

## NUMERICAL INDEX (continued)

PART NO.	PAGE	ITEM	PART NO.	PAGE	ITEM	PART NO.	PAGE	ITEM	PART NO.	PAGE	ITEM
	7-27	3	4003067	15-15	5	4008020	17-19	7	4014251	1-95	20
	7-27	4	4003079	1-53	6	4009083	1-45	4	4014340	1-98	2
	7-27	5	4003082	1-79	6	4009084	1-45	5	4014374	14-11	16
2110792	7-25	4	4003165	15-5	14	4009085	1-45	14	4014682	14-3	34
	7-27	5	4004045	1-79	2	4009253	7-51	1	4015888	1-9	1
2110793	7-25	3	4004059	1-79	4	4009461	1-45	8	4016100	1-9	1
	7-27	3	4004060	1-79	3	4009488	19-9	1	4016150	11-17	1
2110942	7-25	19	4004062	1-79	10		19-11	1	4016151	11-17	31
	7-27	19	4004063	1-79	11	4009545	1-91	16	4016152	11-17	15
2110943	7-25	18	4004065	1-79	1	4009546	1-9	9	4016370	18-28	46
	7-27	18	4004066	1-79	8	4009578	1-59	10	4016924	1-23	1
2111004	7-5	3	4004149	1-79		4009681	1-45	12	4016926	1-23	3
	7-7	2	4004390	15-5	27	4009682	1-45	13	4016928	1-23	1
2111005	7-5	16	4004775	1-29	14	4009683	1-45	9	4016930	1-23	3
	7-7	11	4004776	1-19	22	4009684	1-45	10	4017028	1-91	16
2111369	15-3	1		1-24	31	4009731	1-9	22	4018452	1-63	4
	15-5	1		1-29	25	4009779	1-81	7	4019019	4-28	1
2111370	15-3	1	4005010	1-21	1		1-83	8		5-13	9
	15-5	1		1-29		4009782	1-81	2		5-17	9
2111754	19-23	2	4005338	1-47	13		1-83	11	4019051	4-23	15
	19-25	2	4005339	1-47	14	4009783	1-81	10		4-31	17
	19-29	2	4006667	13-15	19		1-83	4		4-41	6
	19-31	2	4006721	13-15	19	4009902	1-69	12	4019090	4-25	3
2111755	19-27	2	4006722	13-15	22	4009988	1-43	19	4019092	4-31	7
	19-33	2	4007052	1-29	5		1-45	15		4-36	9
2111769	7-25	7	4007132	1-53	2	4009989	1-43	1	4019099	4-31	12
	7-27	7	4007133	1-53	1		1-45	16	4019102	4-31	8
2111770	7-25	17	4007134	1-53	3	4009990	1-43	2	4019118	4-25	15
	7-27	17	4007135	1-53	4		1-45	18	4019119	4-25	14
2111783	11-11	5		1-61	3	4010287	3-7	15	4019120	4-25	11
2111799	7-25	6	4007138	1-53	10		3-9	15		4-39	1
	7-27	6	4007139	1-53	8	4010318	11-17	18	4019121	4-25	12
2111800	7-25	15	4007140	1-53	9	4010507	11-29	19	4019122	4-37	5
	7-27	15	4007141	1-53	7	4011397	1-9	27	4020311	11-17	38
2302899	15-59	2	4007142	1-53		4011435	1-9	26	4020466	11-17	17
2307400	1-107	1	4007143	1-53	11	4011601	1-45	6	4020467	11-17	16
2308541	6-17	6	4007144	1-53	12	4011602	1-45	11	4020588	11-15	7
2314223	14-3	1	4007145	1-53	5	4011940	7-5	2		11-29	42
2314741	8-8	16	4007147	1-53			7-7	4	4021015	1-45	17
	9-9	7	4007209	1-53			14-3	20	4021292	3-27	10
	9-9	12	4007210	1-53			14-9	6	4021384	6-13	3
2314782	9-10	14	4007211	1-53			14-11	7	4021485	15-12	2
2787350	7-54	1	4007212	1-53			14-19	6	4021490	15-12	4
2795583	7-54	1	4007213	1-53		4013095	1-13	7	4021492	15-12	6
4000205	12-15	9	4007318	1-19	21		1-24		4021523	15-12	3
4000256	15-15			1-21	16	4013267	18-16	35	4021536	15-12	5
4000257	15-5	3		1-23	19	4013268	16-17	6	4022958	13-13	3
	15-15	6		1-29	24		18-28	24	4023295	8-8	22
4000258	15-15	10	4007319	1-29	18	4013273	16-17	10		9-10	20
4002394	14-17	6	4007888	11-23	3		18-28	26	4023450	13-2	5
4002504	1-53		4007889	11-21	19	4013559	1-81	5		13-5	
4002509	1-53			11-23	20		1-83	6	4024323	1-83	1

**NUMERICAL INDEX (continued)**

<b>PART NO.</b>	<b>PAGE</b>	<b>ITEM</b>	<b>PART NO.</b>	<b>PAGE</b>	<b>ITEM</b>	<b>PART NO.</b>	<b>PAGE</b>	<b>ITEM</b>	<b>PART NO.</b>	<b>PAGE</b>	<b>ITEM</b>
4024324	1-83	3	4031377	15-43			19-39	2	4038423	15-12	
4025106	11-15	32	4031378	15-43		4033960	19-35	2	4038489	15-12	
4025209	11-15	1	4031379	15-43	2		19-37	2	4038672	13-7	1
4025477	11-21	2	4031380	15-43	8		19-39	2	4038673	13-7	8
	11-23	2		15-55	1	4034386	6-3	14	4038674	13-7	11
4025478	11-35	3	4031381	15-43	5		6-5	15	4038675	13-7	13
4025479	11-31	3		15-50		4034634	19-47	11	4038676	13-7	16
	11-33	3	4031382	15-43	4		19-49	7	4038677	13-7	21
4025617	1-81	4		15-49			19-51		4038678	13-7	25
4025618	1-81	1	4031383	15-43	3	4034635	19-49	7	4039364	7-80	13
4025619	1-81	3		15-47	1		19-51			9-13	1
	1-83	2	4031384	15-43	1	4034828	8-2	11	4039367	14-9	2
4025685	8-8	22		15-45	1		9-3	22	4039369	14-19	2
	9-10	20	4031469	15-39	3		9-5	22	4039374	14-9	1
4026661	15-3	15		15-50	3		9-7	14	4039376	14-19	1
	15-5	23	4031471	15-47	4	4034931	1-109	1	4040259	4-31	10
4027341	1-13		4031472	15-47	7	4034932	1-109	2	4040260	4-31	13
	1-24		4031473	15-47	12	4034933	1-109	3	4040288	4-31	13
4027451	1-91	20	4031526	15-43	6	4034934	1-109	4		5-13	1
4027456	1-91	29		15-53		4034935	1-109	5		5-17	1
4027457	1-91	29	4031653	19-13	3	4034936	1-109	6	4040523	5-23	11
4027764	2-50	2	4031769	5-23	18	4034937	1-109	7		6-21	11
	9-11	39		6-21	18	4034938	1-109	8	4040607	1-49	8
4027880	11-37	7	4031944	1-9	36	4034939	1-109	9		1-51	8
4028633	9-9	12	4031973	16-3	14	4034940	1-109	10	4041105	18-19	1
4028642	13-5	8		18-3	10	4034941	1-109	11	4041108	18-19	1
4028685	15-3	20		18-15	17	4034942	1-109	12	4041112	18-19	1
4028686	15-3	24	4032291	5-25	23	4035130	1-7	2	4041115	18-19	1
4029051	16-7	13		5-27	13	4036094	15-47	11	4041194	17-20	27
	18-11	10	4032292	5-27	12	4036523	7-59	30	4041235	18-19	1
4029455	13-21	1	4032460	1-24		4036586	1-15		4041238	18-19	1
4029456	13-21	1	4032461	1-24		4036587	1-15		4041240	18-19	1
4029457	12-29	1	4032607	5-25	20	4038182	15-23	21	4041242	18-19	1
	12-31	1		5-27	33		15-25	9	4041246	18-19	1
4029458	12-29	1	4032665	18-27	9		15-27	22	4041292	8-5	16
4029538	5-25	21		18-27	11		15-29	10		9-3	9
	5-27	15	4033412	16-3	7	4038258	3-5	1		9-5	9
4029920	5-25	22		17-3	11	4038260	3-3	1	4041906	2-15	2
	5-27	14		18-3	17	4038261	2-9	1	4041910	2-15	7
4030497	5-6	6	4033414	16-3	6	4038263	3-5	1	4041911	2-15	8
	6-7	6		17-3	12	4038264	2-9	1	4041920	2-15	12
4030503	7-80	13		18-3	16		3-3	1	4041925	2-15	15
	9-13	1	4033434	1-102			3-5	1	4041928	2-53	3
4031146	5-25	24	4033435	1-102			4-11	1	4041938	2-16	3
	5-27	11	4033955	19-35	2	4038265	2-9	1	4041945	2-43	7
4031370	15-43	9		19-37	2		3-3	1	4041946	2-32	8
	15-55	4		19-39	2		3-5	1		2-37	29
4031371	15-43	9	4033957	19-35	2	4038266	2-9	1	4041950	2-19	7
	15-55	4		19-37	2		3-3	1	4041951	2-19	8
4031373	15-45			19-39	2		3-5	1		2-37	3
4031374	15-43		4033958	19-35	2		4-11	1	4041991	2-31	6
4031375	15-47	14		19-37	2	4038267	3-5	1		2-44	12

## NUMERICAL INDEX (continued)

PART NO.	PAGE	ITEM	PART NO.	PAGE	ITEM	PART NO.	PAGE	ITEM	PART NO.	PAGE	ITEM
	2-53	19	4046278	18-23	2	4051083	2-16	4		16-3	1
4041992	2-32	11	4046305	18-23	1	4051290	16-17	3	4053789	6-9	1
	2-37	31	4046308	18-23	1		18-28	28	4053806	18-7	1
	2-49	8	4046311	18-23	1	4051293	16-17	7		18-7	1
4041997	2-53	6	4046313	18-23	1		18-28	50	4053809	18-7	1
4042015	2-39	7	4046318	18-23	1	4051383	9-13	2		18-7	1
4042035	2-16	6	4046434	19-37	1		9-13	5	4053811	18-7	1
	2-38	7	4046468	19-37	1	4051418	2-5	19	4053813	18-7	1
	2-50	8	4046492	1-15	12		2-7	19		18-7	1
4042049	2-43	2		1-24			3-7	2	4053816	18-7	1
4042050	2-21	8	4046499	16-5	8		4-5	17	4053817	18-7	1
4042056	2-43	20		18-7	6		4-7	2	4053838	18-9	1
4042059	2-23	4	4046548	18-16	28	4051434	5-25	37		18-9	1
	2-37	8	4046933	7-9			5-27	41	4053841	18-9	1
	2-45	1	4047385	12-13	8	4051460	18-27	14		18-9	1
4042067	2-37	27	4047664	7-60	55	4051501	16-17	9	4053842	18-9	1
4042096	2-35	12		7-72	55		18-15	5	4053843	18-9	1
4042103	2-35	19	4047669	7-58	21		18-28	27	4053845	18-9	1
4042108	2-40	6		7-70	21	4051885	18-28	33		18-9	1
4042122	2-35	4		7-80	12	4051924	5-21	3	4053849	18-9	1
4042129	2-35	5		8-9	25		5-23	22	4053949	14-3	32
4042130	2-21	11	4048508	16-5	8		6-19	3		14-11	12
4042131	2-21	10		18-7	6		6-21	22	4054062	16-5	1
4042134	2-49	1	4048778	18-28	36	4051938	5-23			16-5	1
4042155	2-35	18	4048781	16-17	5		6-21		4054067	16-5	1
4042198	2-35	11		18-28	21	4052151	7-59	37		16-5	1
4042233	2-23	3	4048782	18-15	11		7-71	37	4054072	16-5	1
4042234	2-23	5	4048783	18-28	34	4052234	7-80	1	4054076	16-5	1
4042321	2-53	2	4048784	18-28	31	4052261	18-16	29		16-5	1
4042324	2-53	10	4048941	5-25	6	4052336	12-11	4	4054558	16-7	12
4042342	2-19	4		5-27	4	4052568	18-15	16		18-12	22
	2-32	7	4049031	18-16	29	4053208	11-21	3	4054753	2-47	6
4042343	2-15	9	4049172	18-28	30	4053417	8-7	6		2-49	12
4042986	4-23	5	4049173	18-16	31		8-8	14	4054757	2-38	5
4043082	1-13	6	4049213	18-27	4		8-10	41	4054932	5-25	9
	1-23	6	4049218	18-27	6		8-10	42		5-27	7
4043316	8-7	5	4050091	18-28	22	4053744	18-3	1	4054944	16-5	8
4043361	11-29	1		18-28	32		18-3	1		18-7	6
4043573	15-5	23		18-28	35	4053747	16-3	1	4054945	16-5	8
4043880	9-9	13	4050572	4-36	8		16-3	1		18-7	6
4046205	18-23	2	4050817	19-47	4		18-3	1	4055072	18-16	26
4046208	18-23	2		19-49	3		18-3	1	4055430	18-31	1
4046213	18-23	2	4050851	2-30	7	4053750	18-3	1	4055473	18-31	1
4046216	18-23	2	4050859	2-35	13	4053752	16-3	1	4055505	18-24	14
4046235	18-23	1	4050900	2-50	3		16-3	1	4055506	18-24	14
4046238	18-23	1	4050915	2-16	7		18-3	1	4055582	18-11	9
4046243	18-23	1	4051044	2-43	14		18-3	1		18-15	9
4046246	18-23	1	4051045	2-43	15	4053755	18-3	1	4055608	18-27	8
4046265	18-23	2	4051053	2-38	4	4053756	18-3	1	4055634	19-47	10
4046268	18-23	2	4051074	18-15	15	4053758	16-3	1		19-49	11
4046271	18-23	2	4051079	16-3	15		16-3	1	4055683	18-27	1
4046273	18-23	2		18-3	11	4053763	16-3	1	4055800	18-27	10

**NUMERICAL INDEX (continued)**

<b>PART NO.</b>	<b>PAGE</b>	<b>ITEM</b>	<b>PART NO.</b>	<b>PAGE</b>	<b>ITEM</b>	<b>PART NO.</b>	<b>PAGE</b>	<b>ITEM</b>	<b>PART NO.</b>	<b>PAGE</b>	<b>ITEM</b>
4056125	18-27	12	4062712	8-10	41	4068195	3-13	10	4074136		
4056126	18-27	13		8-10	42	4068196	3-13	40	4074137		
4056718	18-27	5	4062954	17-3	1	4068197	3-29	1	4074138		
4056820	2-13	3		17-3	1	4068198	3-29	2	4074142		
4056821	2-13	1	4063703	19-51	7	4068199	3-29	1	4074143		
4056823	2-13	16	4063717	19-51	9	4068200	3-29	2	4074144		
4057201	4-5	22		19-51	22	4068201	3-33	4	4074151		
	4-7	14	4063718	19-51	23	4068202	3-31	7	4074152		
	4-9	20	4063797	8-7	11	4068203	3-27		4074153		
4057202	4-5	23		8-7	12		6-13	1	4074154		
	4-7	15		8-8	19	4068363	3-14		4074155		
	4-9	21	4063897	8-7	9		3-17		4074156		
4057285	2-9	21	4064158	2-5	14		3-19		4074547	4-7	12
4057302	2-5	13		2-7	14		3-21		4074625	9-9	14
	2-7	13	4064288	5-10	4		3-23		4074907	9-10	21
4057313	18-15	23		5-14	4		3-31		4074909	9-9	8
4057449	1-47	1	4064560	17-20	28		3-33		4077418	1-9	9
4057611	18-16	24	4064606	16-9	1		6-13		4077419	1-47	4
4057777	18-28	40	4064611	16-9	1	4069407	18-16	34	4077420	1-47	9
4058915	16-17	4	4064616	16-9	1	4069504	5-9	8	4077421	1-47	11
4058916	16-7	1	4064621	16-13	1	4070545	1-71	36	4077726	7-3	26
4058930	16-17	12	4064635	16-9	1	4072704	16-3	17	4077730	11-24	9
4058935	16-17	13	4064640	16-9	1		18-3	8		11-27	
4059830	16-17	15	4064645	16-13	1		18-15	19		11-29	
4060157	1-79	7	4064650	16-13	1	4072717	16-3	17	4077917	3-3	24
4060226	2-13	2	4064677	15-21	6		18-3	8		3-5	24
4060492	19-15	11	4064894	14-12	2		18-15	19	4077993	1-47	31
	19-17	11	4065020	2-11	1	4073259	8-7	9	4077997	1-47	32
	19-19	11	4065021	2-11	2		8-7	11	4078018	15-34	9
	19-20	7	4065036	19-51	25		8-7	12	4078122	5-9	5
4060493	19-15	11	4065167	18-11	15		8-8	19	4078617	9-5	30
	19-17	11	4065168	18-11	13		8-8	20	4078834	9-5	31
	19-19	11	4065173	16-21	1	4073293	8-8	18	4078946	9-6	2
	19-20	7	4065188	19-35	1		8-9	29	4078947	9-6	10
4060737	7-60	54	4065200	16-21	1		8-9	35	4079256	2-9	35
	7-60	56	4065214	19-35	1	4073332	12-5	1		11-3	1
	7-72	54	4066055	1-87	8	4073333	12-5	8		11-5	1
	7-72	56	4066964	1-76	6	4073334	12-5	15		11-7	1
4060812	4-5	21	4066966	1-76	5	4073335	12-5	16	4079563	15-34	1
	4-9	19	4066967	1-76	7	4073346	12-7	6	4080312	1-95	3
4061309	18-27	7	4066968	1-76	4	4073347	12-7	6	4080313	1-95	3
4061318	19-47	7	4066969	1-76	4	4073348	12-7	6	4081768	18-28	25
	19-49	10	4066970	1-76	4	4073349	12-7	6	4082001	18-28	55
4061319	19-47	8	4066971	1-76	4	4073365	12-13	10	4082846	16-3	16
	19-49	9	4067017	19-23	1	4073967	4-5	1		18-3	12
4061320	12-21	27		19-25	1		4-9	1	4083043	5-3	13
4061321	12-21	16		19-27	1	4074118			4083244	5-3	15
4062635	8-8	18		19-29	1	4074119			4084441	19-51	26
	8-9	29		19-31	1	4074120			4084719	18-29	60
	8-9	35		19-33	1	4074130			4084720	18-28	59
4062637	8-9	33	4068193	3-17	1	4074131			4084721	18-29	59
	8-9	34	4068194	3-23	5	4074132			4084722	18-29	60

## NUMERICAL INDEX (continued)

PART NO.	PAGE	ITEM	PART NO.	PAGE	ITEM	PART NO.	PAGE	ITEM	PART NO.	PAGE	ITEM
4084991	19-51	10	4096797	2-15	1	4096876	2-22	3	4096916	2-29	6
4084993	19-51	3	4096798	2-15	3	4096877	2-23	1		2-29	12
4085524	11-13	3	4096799	2-15	4	4096878	2-23	2		2-29	14
	11-24	3	4096801	2-15	5	4096879	2-24	1	4097172	2-29	15
4085711	4-11	3	4096802	2-15	6	4096880	2-24	2	4097173	2-29	16
4085712	2-9	3	4096803	2-16	1	4096881	2-24	3		2-29	32
	4-11	3	4096804	2-16	2	4096882	2-24	4	4097174	2-29	38
4085979	15-34	5	4096805	2-16	5	4096883	2-24	5	4097175	2-29	44
4086499	4-5	5	4096806	2-15	10	4096884	2-24	6	4097176	2-29	17
	4-9	5		2-53	4	4096885	2-27	1	4097177	2-29	20
4086500	4-5	4	4096807	2-15	11	4096886	2-27	2	4097178	2-29	19
	4-9	4	4096808	2-19	1		2-27	11	4097179	2-29	21
4086521	18-28	42	4096809	2-15	13		2-27	14	4097180	2-29	22
4087334	15-31	5	4096810	2-15	16		2-27	17	4097181	2-29	23
	15-39	1	4096811	2-15	17	4096887	2-27	3	4097182	2-29	24
4087335	15-31	6	4096812	2-19	2		2-27	12	4097183	2-29	25
	15-39	1	4096813	2-19	3		2-27	15	4097184	2-29	26
4088044	15-37	17		2-32	6		2-27	18	4097185	2-29	27
4088045	15-37	19	4096814	2-19	5		2-29	33	4097186	2-29	28
	15-39	7	4096815	2-19	6	4096888	2-27	4	4097187	2-29	31
4088047	15-31	4	4096816	2-19	9	4096889	2-27	5	4097188	2-29	37
	15-37		4096817	2-19	10	4096890	2-27	6	4097189	2-29	43
4089169	5-13	2	4096818	2-19	11	4096891	2-27	7	4097190	2-29	34
	5-17	2	4096819	2-19	12	4096892	2-27	8	4097191	2-29	40
4089371	11-13	8	4096820	2-19	13		2-44	8	4097192	2-29	46
	11-15		4096821	2-19	16	4096893	2-27	9	4097193	2-29	35
	11-17		4096822	2-19	15	4096894	2-27	10	4097194	2-29	41
4090206			4096823	2-19	14	4096895	2-27	13	4097195	2-29	47
4090207			4096824	2-19	17	4096896	2-27	16	4097196	2-29	29
4090208			4096825	2-19	18	4096897	2-27	19	4097197	2-29	30
4090221			4096826	2-19	19	4096898	2-27		4097198	2-29	36
4090222			4096828	2-53	5		2-29	39	4097199	2-29	42
4090223			4096829	2-53	7	4096899	2-27		4097200	2-29	1
4090236			4096830	2-53	8		2-29	45	4097201	2-29	7
4090237			4096831	2-53	9	4096900	2-49	2	4097202	2-30	1
4090238			4096832	2-53	11	4096901	2-49	3	4097203	2-30	2
4090248			4096833	2-53	12	4096902	2-49	5	4097204	2-30	3
4090249			4096834	2-53	13	4096903	2-49	6	4097205	2-30	4
4090250			4096835	2-53	14	4096904	2-49	7	4097206	2-30	5
4090340	4-57	24	4096838	2-53	16	4096905	2-49	9	4097207	2-30	6
4090599	7-21	1	4096840	2-53	18	4096906	2-49	11	4097208	2-31	1
4092210	8-7	5	4096841	2-53	20	4096907	2-49	10	4097209	2-31	2
4092328	11-24	10	4096842	2-21	1	4096908	2-49	13	4097210	2-31	3
4092596	1-35		4096843	2-21	2	4096909	2-29	2	4097211	2-31	4
4092597	1-39		4096844	2-21	3	4096910	2-29	8	4097212	2-31	5
	1-41		4096845	2-21	4	4096911	2-29	3	4097213	2-32	1
4092598	1-36		4096870	2-21	7	4096912	2-29	9	4097214	2-32	2
4092599	1-31		4096871	2-21	6	4096913	2-29	4	4097215	2-32	3
	1-33		4096872	2-21	5		2-29	10	4097216	2-32	4
4093654	18-28	49	4096873	2-21	9	4096914	2-29	5	4097217	2-32	5
4093656	16-17	19	4096874	2-22	1		2-29	11	4097218	2-32	9
4093657	16-17	18	4096875	2-22	2	4096915	2-29	13	4097219	2-32	10

**NUMERICAL INDEX (continued)**

<b>PART NO.</b>	<b>PAGE</b>	<b>ITEM</b>	<b>PART NO.</b>	<b>PAGE</b>	<b>ITEM</b>	<b>PART NO.</b>	<b>PAGE</b>	<b>ITEM</b>	<b>PART NO.</b>	<b>PAGE</b>	<b>ITEM</b>
4097220	2-40	1	4097616	2-37	12		5-17	8	4104444	4-23	21
4097221	2-40	2	4097617	2-37	13	4099377	7-80	8	4104445	4-23	10
4097452	2-40	3	4097618	2-37	14	4099378	7-80	9	4104446	4-15	1
4097453	2-40	4	4097620	2-37	16	4099851	1-7	1	4104447	4-15	5
4097454	2-40	5	4097621	2-37	17	4099852	1-7	1	4104448	4-15	7
4097455	2-40	8	4097622	2-37	18	4100401	15-34	15	4104449	4-15	8
4097456	2-40	9	4097623	2-37	19	4101319	11-12	2	4104450	4-15	9
4097458	2-40	11	4097624	2-37	20	4101477	1-35		4104451	4-15	10
4097459	2-40	7	4097625	2-37	21	4101577	18-28	51	4104452	4-15	11
4097460	2-43	1	4097626	2-37	22	4101858	2-35	6	4104453	4-31	16
4097461	2-43	3	4097627	2-37	23	4102196	1-5	1	4104477	4-15	13
4097462	2-43	4	4097628	2-37	24	4102197	1-5	1	4104478	4-15	14
4097463	2-43	5	4097629	2-37	25	4102198	1-5	1	4104560	18-28	18
4097464	2-43	6	4097630	2-37	26	4102199	1-5	1	4104561	18-28	16
4097465	2-43	8	4097631	2-37	28	4102243	1-9	14	4104893	9-3	8
4097466	2-43	9	4097632	2-37	30	4102461	1-9			9-5	8
	2-44	11	4097690	2-37	32	4102462	1-9		4108691	1-36	1
4097467	2-35	15	4097694	2-38	2	4102464	1-9		4108692	1-36	2
	2-43	10	4097695	2-38	1	4102512	7-3	29	4108693	1-36	3
	2-44	10	4097696	2-38	3	4102948	13-21	1	4108694	1-36	4
4097469	2-43	12	4097697	2-38	6	4102949	13-21	1	4108695	1-36	5
4097470	2-43	13	4097698	2-39	1	4102950	12-29	1	4108696	1-35	1
4097471	2-43	16	4097699	2-39	2		12-31	1	4108697	1-35	2
4097472	2-43	17		2-39	3	4102951	12-29	1	4108698	1-35	3
4097473	2-43	18	4097701	2-39	4	4102956	13-21	1	4108699	1-35	4
4097474	2-43	19	4097702	2-39	5	4102957	13-21	1	4108700	1-35	9
4097475	2-43	21	4097705	2-50	4	4102958	12-29	1	4108701	1-35	10
4097477	2-44	2	4097706	2-50	5		12-31	1		1-39	9
4097478	2-44	3	4097707	2-50	6	4102959	12-29	1	4108702	1-35	11
4097480	2-44	5	4097708	2-50	7	4102962	13-21		4108703	1-35	7
4097483	2-44	9	4097871	2-47	2	4102966	13-21	1	4108704	1-35	6
4097484	2-45	2	4097872	2-47	3	4102967	13-21	1	4108705	1-35	5
4097485	2-35	1	4097873	2-47	4	4102968	12-29	1	4108706	1-35	8
4097486	2-35	2	4097874	2-47	5		12-31	1	4108708	1-33	12
4097487	2-35	3	4097889	2-53	1	4102969	12-29	1	4108709	1-31	6
4097488	2-35	6	4097890	2-53	15	4102978	13-21			1-33	7
4097489	2-35	7	4097891	2-53	17	4102980	12-29			1-39	26
4097490	2-35	8	4097916	2-40	10	4102981	12-29		4108710	1-33	10
4097491	2-35	9	4097917	2-43	11	4103234	1-9	9	4108711	1-33	9
4097492	2-35	10	4097918	2-44	1	4103431	2-9	16	4108712	1-33	8
4097493	2-35	14	4097919	2-44	4	4103550	11-11	17	4108713	1-33	11
4097494	2-35	16	4097920	2-44	6	4103841	1-9	13	4108714	1-33	14
4097495	2-35	17	4097921	2-44	7	4103857	11-17	41	4108715	1-33	13
4097496	2-37	1	4097923	2-39	6	4104064	12-31		4108716	1-31	1
4097497	2-37	2	4097936	2-47	1	4104071	12-29		4108717	1-31	2
4097498	2-37	4	4098513	14-7	3	4104072	12-29		4108718	1-31	10
4097499	2-37	5	4098976	2-5	7	4104388	12-5	4		1-39	22
4097500	2-37	6		2-7	7	4104389	12-5	11	4108719	1-31	17
4097501	2-37	7	4098977	2-5	6	4104395	12-11	7	4108720	1-31	18
4097551	6-15	1		2-7	6	4104405	12-11	12	4108721	1-31	9
4097614	2-37	10	4099352	4-28	2	4104442	4-15	6		1-39	20
4097615	2-37	11		5-13	8	4104443	4-23	11	4108722	1-31	7

## NUMERICAL INDEX (continued)

PART NO.	PAGE	ITEM	PART NO.	PAGE	ITEM	PART NO.	PAGE	ITEM	PART NO.	PAGE	ITEM
4108723	1-31	5	4109030	1-43	6		4-34	3	4111261	4-39	7
	1-41	5	4109981	4-15	15	4110979	4-31	1	4111262	4-39	8
4108724	1-31	4	4109984	4-15	16	4111007	4-31	9	4111264	4-39	9
	1-41	4	4109985	4-15	17	4111042	4-15	12	4111265	4-39	10
4108725	1-31	3	4109988	4-17	1	4111055	4-31	18	4111266	4-39	11
4108726	1-31	11	4109989	4-17	2	4111115	4-31		4111269	4-41	1
4108727	1-31	14	4109990	4-17	3	4111116	4-31	3	4111270	4-41	3
4108728	1-31	15	4109991	4-17	4	4111117	4-31	4	4111271	4-41	4
4108729	1-31	16	4109992	4-17	5	4111118	4-31	6	4111272	4-41	5
4108730	1-31	13	4109994	4-17	7	4111119	4-31	5	4111273	4-41	7
4108731	1-31	12	4109995	4-13	9	4111120	4-31	11	4111274	4-41	8
	1-39	18		4-17	8	4111121	4-31	14	4111275	4-41	9
4108732	1-39	16	4109996	4-17	9	4111122	4-31	15	4111276	4-49	5
	1-41	2	4109997	4-17	10	4111123	4-31	2		4-53	38
4108733	1-33	5	4109998	4-17	11	4111124	2-37	15	4111632	4-49	6
4108734	1-33	4	4110027	4-19	1		4-25	10	4111645	4-49	7
4108735	1-33	3	4110028	4-19	2	4111125	4-25	10	4111647	4-13	10
	1-39	11	4110029	4-19	4	4111126	4-32	1	4111652	4-13	8
4108736	1-33	2	4110030	4-19	5	4111127	4-32	2	4111657	4-13	7
4108737	1-33	1	4110031	4-19	6	4111183	4-32	3	4111670	4-43	1
4108738	1-31	8	4110034	4-20	1	4111184	4-32	4	4111671	4-43	3
4108739	1-33	6	4110035	4-20	2	4111185	4-32	5	4111672	4-43	4
4108740	1-39	27	4110037	4-23	13	4111188	4-33	1	4111673	4-43	6
4108741	1-39	28	4110038	4-23	1	4111189	4-33	2	4111674	4-43	7
4108742	1-39	31	4110039	4-23	3	4111191	4-49	1	4111675	4-45	1
4108743	1-39	14	4110040	4-23	7	4111208	4-49	2	4111676	4-45	17
4108744	1-39	17	4110041	4-23	8	4111209	4-49	3	4111678	4-45	2
4108745	1-39	13	4110042	4-23	9	4111210	4-49	4	4111679	4-45	3
4108746	1-39	15	4110043	4-23	12	4111211	4-36	7	4111680	4-45	16
4108747	1-39	1	4110044	4-23	19	4111220	4-35	2	4111681	4-45	4
4108748	1-39	2	4110045	4-23	20	4111222	4-34	1		4-47	12
4108749	1-39	30	4110059	4-27	1	4111228	4-34	2	4111682	4-45	5
4108750	1-39	34	4110060	4-27	2		4-41	2	4111683	4-45	8
4108751	1-39	35	4110061	4-27	3	4111232	4-36	4	4111684	4-45	9
4108752	1-39	33	4110062	4-27	4	4111234	4-35	1	4111685	4-45	10
4108753	1-39	10	4110063	4-27	5	4111235	4-35	3	4111686	4-45	11
4108754	1-39	8	4110064	4-27	6		4-37	6	4111687	4-45	12
4108755	1-39	7	4110065	4-25	17	4111238	4-36	10	4111688	4-45	13
4108756	1-39	6		4-27	7	4111239	4-57	12	4111689	4-45	14
4108757	1-39	5	4110066	4-25	18	4111249	4-37	1	4111690	4-45	15
4108758	1-39	12		4-27	8	4111250	4-37	2	4111691	4-47	1
4108759	1-39	3	4110071	4-25	2	4111251	4-37	3	4111692	4-47	2
4108760	1-39	4	4110072	4-25	1	4111252	4-36	2	4111693	4-47	3
4108761	1-39	24	4110074	4-25	5		4-37	4	4111694	4-47	
4108762	1-39	25	4110078	4-25	8	4111253	4-36	1	4111695	4-47	5
4108763	1-39	29	4110079	4-25	9	4111255	4-36	3	4111696	4-47	6
4108764	1-39	32	4110080	4-25	6	4111256	4-36	6	4111697	4-47	7
4108765	1-39	23	4110081	4-25	7	4111257	4-39	2		4-57	6
4108766	1-39	19	4110082	4-25	4		4-43	2	4111698	4-47	8
4108767	1-39	21	4110365	4-5	7	4111258	4-39	3	4111699	4-47	9
4108768	1-41	1		4-7	13	4111259	4-39	4	4111700	4-47	10
4108769	1-41	6		4-9	7	4111260	4-39	5	4111701	4-47	11



**NUMERICAL INDEX (continued)**

<b>PART NO.</b>	<b>PAGE</b>	<b>ITEM</b>	<b>PART NO.</b>	<b>PAGE</b>	<b>ITEM</b>	<b>PART NO.</b>	<b>PAGE</b>	<b>ITEM</b>	<b>PART NO.</b>	<b>PAGE</b>	<b>ITEM</b>
4111702	4-47	13	4111773	4-51	13	4112341	4-57	2			4-19
4111703	4-47	13	4111774	4-53	1	4112342	4-57	3			4-20
4111704	4-47	14	4111775	4-53	2	4112343	4-57	4			4-23
4111705	4-47	14	4111776	4-53	3	4112344	4-57	5			4-25
4111706	4-47	15	4112104	4-53	4	4112345	4-57	7			4-27
4111713	4-47	16	4112105	4-53	5	4112346	4-57	8			4-28
4111714	4-47	17	4112106	4-53	6	4112347	4-57	29			4-31
4111715	4-47	18	4112107	4-53	7	4112348	4-57	13			4-32
4111716	4-47	19	4112108	4-53	8	4112349	4-57	14			4-33
4111717	4-47	19	4112109	4-53	9	4112350	4-57	15			4-34
4111718	4-47	19	4112110	4-53	10	4112351	4-57	16			4-35
4111719	4-47	19	4112111	4-53	11	4112352	4-57	17			4-36
4111727	4-47	19	4112112	4-53	13	4112353	4-57	19			4-37
4111728	4-47	20	4112113	4-53	14	4112355	4-57	21			4-39
4111729	4-47	20	4112114	4-53	15	4112356	4-57	22			4-41
4111730	4-47	20	4112115	4-53	16	4112357	4-57	23			4-43
4111731	4-47	20	4112116	4-53	17	4112358	4-57	25			4-45
4111732	4-47	20	4112117	4-53	18	4112359	4-57	26			4-47
4111733	4-47	21	4112118	4-53	19	4112360	4-57	27			4-49
4111734	4-47	4	4112119	4-53	20	4112361	4-57	11			4-51
4111735	4-47	4	4112120	4-53	21	4112416	4-58	1			4-53
4111736	4-49	8	4112121	4-53	22	4112417	4-58	2			4-54
4111737	4-49	9		4-53	30	4112418	4-58	3			4-57
4111738	4-49	10	4112122	4-53	23	4112419	4-58	5			4-58
4111739	4-49	11	4112123	4-53	24	4112420	4-58	6	4123698	11-11	10
4111740	4-49	12	4112124	4-53	26	4112651	1-41	7	4123880	4-11	1
4111741	4-49	16	4112125	4-53	27	4112698	4-28	3	4123881	4-11	1
4111742	4-49	15	4112126	4-53	28	4112699	4-57	28	4125107	5-25	1
	4-58	4	4112127	4-53	29	4112701	4-39		4125108	5-27	1
4111743	4-49	18	4112128	4-53	31		4-41		4125957	11-11	6
4111744	4-49	19	4112130	4-53	32		4-43		4130733	11-11	20
4111745	4-49	20	4112131	4-53	33		4-45		4130734	11-11	20
4111746	4-49	21	4112132	4-53	34		4-47		4601093	7-25	1
4111747	4-49	22	4112133	4-53	35		4-49		4601094	7-27	1
4111749	4-49	25	4112320	4-53	36		4-53		4601096	7-27	1
4111751	4-49	26	4112321	4-53	37		4-57		4601097	7-25	1
4111753	4-51	1	4112322	4-53	39		4-58		4601098	7-27	1
4111755	4-51	2	4112323	4-53	40	4112702	4-53		4601099	7-25	1
4111756	4-51	3	4112324	4-53	12		4-54		4601100	7-27	1
4111757	4-51	4	4112325	4-54	1	4113363	1-89	19	4601101	7-25	1
4111758	4-51	5	4112327	4-54	2	4113407	11-29	32	4601102	7-27	1
4111759	4-51	6	4112328	4-54	3	4116826	1-39	36	4601103	7-25	1
4111760	4-51	7	4112329	4-54	4		1-41	3	4601104	7-27	1
4111761	4-51	8		4-57	18	4116835	1-33	15	4601105	7-25	1
4111762	4-51	9	4112330	4-54	5	4120445	3-7	30	4601106	7-27	1
4111763	4-51	11	4112331	4-54	6		3-9	4	4601107	7-25	1
4111764	4-51	11	4112332	4-54	7	4120446	3-7	29	4601108	7-27	1
4111765	4-51	11	4112333	4-54	8		3-9	7	4601120	7-25	16
4111766	4-51	10	4112334	4-54	9	4121568	5-18	4		7-27	16
4111767	4-51	12	4112336	4-54	10		5-19	4	4601265	7-25	1
4111768	4-51	12	4112338	4-54	11	4122334	4-15		4602843	7-54	
4111769	4-51	12	4112340	4-57	1		4-17			8-5	14

## NUMERICAL INDEX (continued)

PART NO.	PAGE	ITEM	PART NO.	PAGE	ITEM	PART NO.	PAGE	ITEM	PART NO.	PAGE	ITEM
	9-3	11	4606303	15-17	13		9-9	7		9-13	4
	9-5	11	4606305	19-23	9	4612844	8-8	16	4614848	9-9	11
4602928	3-7	10		19-25	9	4612945	6-3	15		9-13	3
	3-9	10		19-27	9		6-5	1		9-13	4
4603280	7-7	1		19-29	9		6-7		4615847	16-9	4
	7-33			19-31	9	4612978	8-7	7		18-19	4
4603281	7-5	1		19-33	9		8-7	8	4615848	16-9	4
	7-41		4606331	15-5	16		8-7	10		18-19	4
4603282	7-5	1	4606333	15-5	25		8-8	13	4615883	18-19	
	7-37		4606334	15-6	45		9-9	3	4615886	18-19	
4603283	7-7	1	4607291	6-5	6		9-9	4	4615890	18-19	
	7-29		4607510	6-5	5		9-9	5	4615905	18-19	
4603382	1-13		4607511	6-5	7		9-9	6	4615907	18-19	
4603383	1-13		4607793	14-17	13	4612988	9-9	3	4615909	18-19	
4603384	1-13		4608005	13-11			9-9	4	4615913	18-19	
4603385	1-13			15-43	12		9-9	5	4615964	5-21	3
4603439	7-25	6	4608080	15-12	1		9-9	6		5-23	22
	7-27	6	4609405	15-6	39	4612989	8-7	7		6-19	3
4603492	1-29	27	4609701	7-83			8-7	8		6-21	22
4603493	1-29	29	4611248	5-3	1		8-7	10	4616882	15-6	43
4603552	3-3	1		5-6			8-8	13	4617767	6-9	12
4603554	3-5	1	4611363	19-35	6	4613003	4-7	7	4617798	19-37	
4603912	15-5	25		19-37	3	4613004	3-7	10	4617799	19-37	
4603913	15-6	45		19-39	3		3-9	10	4617958	18-23	
4604072	15-12	1	4611578	14-19	7	4613008	9-9	11	4617962	18-23	
4604073	15-12	1	4611791	13-3	5	4613009	9-9	11	4617967	18-23	
4604147	15-17	6		13-7			9-13	3	4617970	18-23	
4604580	15-5	17	4611861	15-3	23		9-13	4	4618054	18-23	
4604594	7-18	1	4611880	19-35		4613138	9-10	14	4618057	18-23	
4604595	7-18	6		19-37		4613340	15-6	41	4618060	18-23	
4604617	3-7	15		19-39		4613342	15-6	43	4618062	18-23	
	3-9	15		19-47	11	4613673	15-43		4618067	18-23	
4604778	15-43			19-49	7	4613674	15-43		4618615	2-9	20
4604779	15-43			19-51		4613675	15-43			4-11	26
4604910	15-5	19	4611882	19-35		4613676	15-43		4619094	5-25	36
4605072	7-7	10		19-37		4614480	1-23			5-27	40
	7-45			19-39		4614481	1-23		4619095	5-25	32
4605073	7-7	10		19-47	11	4614516	8-7	7	4619574	5-27	46
	7-47			19-49	7		8-7	8	4620151	16-7	7
4605234	15-43			19-51			8-7	10		18-11	11
4605235	15-43		4611913	19-47	1		8-8	13	4620152	16-7	8
4605336	7-25	10		19-49	6		9-9	3		18-11	12
	7-27	10	4612085	15-3	23		9-9	4	4620434	7-80	10
4605337	7-25	14	4612127	19-42	2		9-9	5	4620536	3-11	1
	7-27	14	4612128	19-42	1		9-9	6	4620796	3-13	
4605389	1-47	6	4612129	19-42	1	4614652	15-5	16		3-17	
4605946	15-3	18	4612130	19-42	2	4614678	11-15	17		3-19	
4605974	15-3	14	4612188	14-17	9		11-37			3-21	
4606206	2-9	1	4612321	1-107	8	4614811	9-13	3		3-23	
4606207	14-15	7	4612595	3-7	4	4614813	9-13	4		3-27	
4606301	15-17	6		4-7	1	4614828	9-13	3		3-29	
4606302	15-17	12	4612836	8-8	16	4614847	9-9	11		3-31	

**NUMERICAL INDEX (continued)**

<b>PART NO.</b>	<b>PAGE</b>	<b>ITEM</b>	<b>PART NO.</b>	<b>PAGE</b>	<b>ITEM</b>	<b>PART NO.</b>	<b>PAGE</b>	<b>ITEM</b>	<b>PART NO.</b>	<b>PAGE</b>	<b>ITEM</b>
	3-33		4623108	18-3		4624178	18-28	48	4625259	5-10	3
	6-11			18-7		4624180	18-28	48		5-14	3
	6-13			18-11			18-28	48	4625277	4-11	29
4621631	18-31			18-15		4624183	18-28	48	4625278	4-11	29
4621636	19-37		4623611	18-15	4	4624184	18-28	48	4625301	2-9	26
4621637	18-31		4623614	18-15	4	4624213	18-28	58	4625308	16-9	
4621641	19-37		4623618	18-15	4		18-28	58	4625313	16-9	
4621731	6-9	13	4623621	18-15	4	4624216	18-28	58	4625318	16-9	
4622150	18-28	17	4623647	5-9	15		18-28	58	4625330	16-13	
4622266	19-49	6	4623973	16-10		4624218	18-28	58	4625339	16-9	
4622454	2-9	24		18-20		4624290	12-15	7	4625344	16-9	
4623077	18-3		4623974	16-10			12-17		4625349	16-13	
	18-7			18-20			12-19		4625354	16-13	
	18-9		4623988	19-41	1		12-21		4625463	16-13	4
	18-11		4623989	19-41	2	4624291	12-15	7	4625474	16-14	
	18-15		4623990	19-41	1		12-17		4625475	16-14	
4623081	18-3		4623991	19-41	2		12-19		4625586	16-21	
	18-7		4624100	18-28	57		12-21		4625591	19-35	
	18-9			18-28	58	4624501	19-19	7	4625592	19-35	
	18-11			18-28	58		19-20	5	4625594	16-21	
	18-15		4624103	18-28	58	4624502	19-19	9	4625598	19-35	
4623083	18-3		4624104	18-28	58		19-20	6	4625600	19-35	
	18-7		4624113	18-28	47	4624503	19-19	8	4625777	1-89	4
	18-9			18-28	47		19-20	5	4626064	3-13	
	18-11		4624116	18-28	47	4624504	19-19	10		3-17	
	18-15			18-28	47		19-20	6		3-19	
4623085	18-3		4624118	18-28	47	4624524	19-19	3		3-21	
	18-7		4624120	18-28	47		19-20	2		3-23	
	18-9			18-28	47	4624525	19-19	1		3-27	
	18-11		4624123	18-28	47		19-20	1		3-29	
	18-15		4624124	18-28	47	4624526	19-19	4		3-31	
4623089	18-3		4624133	18-28	56		19-20	2		3-33	
	18-7			18-28	56	4624527	19-19	2		6-11	
	18-9		4624136	18-28	56		19-20	1		6-13	
	18-11			18-28	56	4624667	17-3		4626066	3-13	
	18-15		4624138	18-28	56		17-5			3-17	
4623097	18-3		4624140	18-28	56		17-13			3-19	
	18-7			18-28	56	4624725	17-3			3-21	
	18-9		4624143	18-28	56		17-5			3-23	
	18-11		4624144	18-28	56		17-13			3-27	
	18-15		4624153	18-28	57	4624924	15-18	29		3-29	
4623101	18-3			18-28	57		15-21	1		3-31	
	18-7		4624156	18-28	57	4624925	15-18	27		3-33	
	18-9			18-28	57		15-18	28		6-11	
	18-11		4624158	18-28	57		15-21	3		6-13	
	18-15		4624160	18-28	57	4624926	15-18	30	4626238	19-31	11
4623102	18-9		4624163	18-28	57		15-21	9	4626239	19-31	12
4623105	18-3		4624164	18-28	57	4624930	15-17	18	4626430	1-89	2
	18-7		4624173	18-28	48	4624999	5-13	1	4626431	1-89	3
	18-9			18-28	48		5-17	1	4626472	19-23	11
	18-11		4624176	18-28	48	4625186	5-10	1		19-27	11
	18-15			18-28	48		5-14	1		19-29	11

## NUMERICAL INDEX (continued)

PART NO.	PAGE	ITEM	PART NO.	PAGE	ITEM	PART NO.	PAGE	ITEM	PART NO.	PAGE	ITEM
	19-33	11	4628149	16-17	1	8-5	23		4631193	5-13	6
4626473	19-23	12		16-17	1	8-7				5-17	6
	19-27	12	4628200	19-15	5	4628753	1-47	12	4633063	12-3	1
	19-29	12		19-17	5	4628754	1-47	16		12-5	
	19-33	12	4628201	19-15	6	4628755	1-47	17		12-7	
4626474	19-33	16		19-17	6	4628917	9-6	2		12-9	
4626475	19-33	17	4628202	19-15	1	4628918	1-87	1		12-10	
4626477	19-23	8		19-17	1	4628919	1-87	2		12-11	
	19-25	8	4628203	19-15	2	4629050	2-50	1		12-13	
	19-27	8		19-17	2		9-3	1	4633065	12-3	1
	19-29	8	4628204	19-15	9		9-5	1		12-5	
	19-31	8		19-17	9		9-9			12-7	
	19-33	8	4628205	19-15	10	4629051	9-3	3		12-9	
4626524	11-29	38		19-17	10		9-5	3		12-10	
	11-37		4628206	19-15	7		9-13			12-11	
4626625	19-40	1		19-17	7	4629069	15-23	25		12-13	
4626626	19-40	2	4628207	19-15	8		15-25	16	4633728	6-15	13
4626640	5-9	4		19-17	8		15-31		4633850	19-49	1
4626751	1-89	1	4628224	4-23	4	4629071	15-27	26	4633851	19-49	2
4626768	19-47	2	4628268	19-27	17		15-29	17	4633852	19-49	1
4626769	19-47	3	4628269	19-27	16		15-31		4633853	19-49	2
4626772	19-47	2	4628430	19-25	11	4629073	15-23	25	4633941	2-9	27
4626773	19-47	3	4628431	19-25	12		15-25	16	4634086	2-5	2
4626780	5-3	12	4628432	4-11	18		15-31		4634155	11-11	18
4626786	15-31	1	4628517	5-9	12	4629075	15-27	26	4634236	11-11	19
4627945	4-11	8	4628651	2-15			15-29	17	4634455	15-34	11
4627956	16-3			2-16			15-31		4634485	5-23	3
	16-5			2-19		4629077	15-31	1		6-21	3
4627961	16-3			2-21		4629078	15-31	1	4634489	9-6	1
	16-5			2-22		4629079	15-31	1	4634955	7-3	28
4627966	16-3			2-23		4629358	4-11	21	4635129	5-17	20
	16-5			2-24		4629359	4-11	21	4635204	5-17	6
4627970	16-3			2-27		4629784	7-3	1	4635258	7-3	1
	16-5			2-29			7-69			7-63	
4627975	16-3			2-30		4629926	1-89	20	4635288	7-3	1
	16-5			2-31		4629929	1-89	21		7-75	
4627980	16-3			2-32		4630231	7-3	1	4637732	18-15	4
	16-5			2-35			7-57		4637735	18-15	4
4627985	16-3			2-37		4630267	15-34	3	4637737	18-15	4
	16-5			2-38		4630278	5-13	19	4637739	18-15	4
4627989	16-3			2-39			5-17	20	4637743	18-15	4
	16-5			2-40		4630350	15-34	12	4637769	13-13	2
4628004	4-11	8		2-43		4630373	18-19		4637770	13-13	2
4628074	4-11	1		2-44		4630381	18-19		4637771	13-13	2
4628076	4-11	1		2-47		4630498	12-21	15	4637772	13-13	2
4628135	16-17	1		2-49		4630631	2-13	14	4637871	13-13	1
	16-17	1	4628652	8-5	18	4630920	5-9	2	4637872	13-13	1
4628140	16-17	1	4628717	5-10	2	4630953	5-13	10	4641321	5-17	20
	16-17	1		5-14	2		5-17	10	4641510	11-11	8
4628145	16-17	1	4628749	4-23		4631126	7-84		4641511	11-11	9
	16-17	1									



