

PARTS MANUAL

**H4.0FT5, H4.0FT6, H4.5FTS5,
H4.5FT6, H5.0FT, H5.5FT
(S005)**

CUSTOMER EDITION

HYSTER

SECTIONS

1	FRAME
2	ENGINE ASSEMBLY - DIESEL
3	ENGINE ASSEMBLY - LPG
4	FUEL SYSTEM
5	ELECTRICAL SYSTEM
6	TRANSMISSION
7	DRIVE AXLE
8	STEERING SYSTEM
9	BRAKE SYSTEM
10	HYDRAULIC SYSTEM
11	MAST-TWO STAGE LIMITED FREE-LIFT
12	MAST-TWO STAGE FULL FREE-LIFT
13	MAST-THREE STAGE FULL FREE-LIFT
14	OPTIONS
15	FIELD CONVERSION KITS
16	NUMERICAL INDEX

This Parts Manual is divided into 16 major sections which are listed above. Quick reference to these sections can be made by placing the right thumb on the tab of the desired section, bending the book back and thumbing the pages to the corresponding tab.

TABLE OF CONTENTS

DESCRIPTION	PAGE
A	
ACCUMULATOR	14-12
ADD ON OPTION KITS	
ADD ON OPTIONS	
ADD ON TELEMETRY KITS	15-11
AIR CLEANER	
GM 4.3L, LPG	4-16
AIR FILTER	4-18
AIR INTAKE	
KUBOTA DIESEL - 3.6L (S/N S005B01802L →)	4-4
KUBOTA DIESEL - 3.8L	4-6
KUBOTA DIESEL (3.6L) (→ S/N S005B01801L)	4-2
ALTERNATOR	
SEALED - GM4.3L LPG	5-34
ALTERNATOR AND PULLEY	
KUBOTA DIESEL	2-95
ANTI-STALL	
WITH MANUAL HYDRAULIC VALVE - GAS, LPG AND 3.6L DIESEL (4/2014 →)	10-22
ARMREST ASSEMBLY	
JOYSTICK (→ 4/2014)	1-52
JOYSTICK (→ 4/2014)	1-54
MINI-LEVER MODULES - SEMI-SUSPENSION SEAT	1-56
MINI-LEVER MODULES - FULL SUSPENSION SEAT	1-58
ATTACHMENT CARRIAGE	
THREE STAGE FULL FREE-LIFT - H4.5FT	13-34
TWO STAGE FULL FREE-LIFT - H4.5FT	12-30
TWO STAGE LIMITED FREE-LIFT - H4.5FT	11-18
AUXILIARY HOSES	10-54
B	
BACK-UP ALARM	14-6
BATTERY CABLE	
FUSED - KUBOTA 3.6L DIESEL	5-20
BATTERY CABLES	
GM 4.3L LPG	5-18
KUBOTA DIESEL	5-21
BOLT ON CAB WITH STANDARD (HIGH) OVERHEAD GUARD	
FRONT SCREEN WITH WIPER/WASHER - PAGE 1 OF 2	1-112
FRONT SCREEN WITH WIPER/WASHER - PAGE 2 OF 2	1-114
PVC DOORS	1-122
REAR SCREEN WITH WIPER/WASHER - PAGE 1 OF 2	1-118
REAR SCREEN WITH WIPER/WASHER - PAGE 2 OF 2	1-120
TOP SCREEN	1-116
BRAKE COOLING SYSTEM	
SINGLE AND DUAL PEDAL - DANA WET BRAKE	9-14
BRAKE LINKAGE	
DUAL PEDAL - WET BRAKE	9-8
DUAL PEDAL WET BRAKE - ALTERNATE OPTION	9-10
SINGLE PEDAL - WET BRAKE	9-2

TABLE OF CONTENTS (continued)

DESCRIPTION	PAGE
SINGLE PEDAL WET BRAKE - ALTERNATE OPTION	9-4
BRAKE MASTER CYLINDER ASSEMBLY	9-18
BREATHER AND SEPARATOR PIPES	
KUBOTA DIESEL - 3.8L	2-84
C	
CAMSHAFT AND IDLE GEAR SHAFT	
KUBOTA DIESEL - 3.6L	2-92
KUBOTA DIESEL - 3.8L	2-93
CAMSHAFT AND OIL PAN	
GM 4.3L LPG	3-36
COMPRESSOR ASSEMBLY AND ATTACHING PARTS	
WITH CAB AND AIR CONDITIONING	2-4
CONDENSER ASSEMBLY	1-104
CONTROL MODULE	
DIESEL INTERFACE - KUBOTA V3800	5-36
CONTROL VALVE ASSEMBLY	6-36
ELECTRONIC CONTROL - THREE AND FOUR FUNCTION-WITH VARIABLE DISPLACEMENT PUMP	
.....	10-40
MANUAL CONTROL VALVE - THREE AND FOUR FUNCTION (→ 4/2014)	10-24
CONTROL VALVE LOCKOUT GROUP	
MANUAL CONTROL VALVE	10-20
CONVERSION KIT	
COOLANT HOSES	
GM 4.3L LPG WITH CAB	4-25
COOLING	
GM 4.3L, LPG - SHORT WHEEL BASE WITH EXTERNAL OIL COOLER	3-4
GM 4.3L, LPG - SHORT WHEEL BASE WITHOUT EXTERNAL OIL COOLER	3-6
GM 4.3L, LPG - LONG WHEEL BASE WITH EXTERNAL COOLER	3-8
KUBOTA DIESEL - WITH EXTERNAL OIL COOLER	2-6
KUBOTA DIESEL - WITHOUT EXTERNAL OIL COOLER WITH SHORT WHEELBASE	2-8
COUNTERWEIGHT	1-12
COVER BEARING CASE	
KUBOTA DIESEL - 3.6L, 3.8L	2-94
COWL ELECTRICAL	
ELECTRO-HYDRAULIC	5-8
MANUAL HYDRAULIC	5-6
COWL MOUNT	1-11
CRANKSHAFT PULLEY	
GM 4.3L LPG	3-26
CYLINDER BLOCK	
GM 4.3L LPG	3-32
KUBOTA DIESEL - 3.6L	2-38
KUBOTA DIESEL - 3.8L	2-40
CYLINDER HEAD	
GM 4.3L LPG	3-30
KUBOTA DIESEL - 3.6L	2-50
KUBOTA DIESEL - 3.8L	2-51

TABLE OF CONTENTS (continued)

DESCRIPTION	PAGE
CYLINDER HEAD COVER	
KUBOTA DIESEL - 3.6L	2-46
KUBOTA DIESEL - 3.8L	2-48
D	
DIESEL PARTICULATE FILTER	
ATTACHING PARTS - 3.8L KUBOTA DIESEL	2-104
MUFFLER ASSEMBLY - KUBOTA 3.8L DIESEL	2-106
DIFFERENTIAL	
WET BRAKE (DANA)	7-6
DIFFERENTIAL ASSEMBLY	
WET BRAKE (NMHG)	7-18
DIPSTICK	
KUBOTA DIESEL - 3.6L, 3.8L	2-45
DISTRIBUTOR AND COIL	
GM 4.3L LPG	3-39
DISTRIBUTOR ASSEMBLY	
GM 4.3L LPG	5-32
DPF DISPLAY	
3.8L KUBOTA DIESEL	5-40
DRIVE AXLE AND ATTACHING PARTS	
WET BRAKE (DANA)	7-2
DRIVE AXLE ASSEMBLY	
WET BRAKE (NMHG) - RIGHT AND LEFT HAND HUBS	7-12
WET BRAKE (NMHG) - BRAKES AND DIFFERENTIAL	7-14
WET BRAKE (NMHG) - INPUT PINION CARRIER	7-16
DRIVE AXLE HOUSING AND HUB	
WET BRAKE (DANA)	7-4
DRIVE TIRE AND WHEEL	
PNEUMATIC RADIAL	7-24
SINGLE MOUNT WITH STANDARD TREAD	7-22
SINGLE MOUNT WITH WIDE TREAD	7-23
SNAP-ON SOLID TIRE	7-26
DRIVE WHEEL AND TIRE	
HEAVY DUTY	7-28
DUAL MIRRORS	
WITH CAB	14-9
E	
EGR COOLER	
KUBOTA DIESEL - 3.8L	2-79
EGR VALVE	
KUBOTA DIESEL - 3.8L	2-78
ELECTRICAL MOUNTING PLATE	
GM 4.3L LPG	3-27
ELECTRICAL SYSTEM	
RIGHT HAND CHASSIS	5-4
ELECTRONIC CONTROL VALVE	
AUXILIARY ONE SECTION - THREE AND FOUR FUNCTION	10-48

TABLE OF CONTENTS (continued)

DESCRIPTION	PAGE
AUXILIARY TWO SECTION - FOUR FUNCTION	10-50
LIFT SECTION - WITH VARIABLE DISPLACEMENT PUMP	10-44
OUTLET SECTION - THREE AND FOUR FUNCTION	10-52
TILT SECTION - THREE AND FOUR FUNCTION	10-46
TRANSITION SECTION - WITH VARIABLE DISPLACEMENT PUMP	10-42
ENGINE CONTROL MODULE AND SENSORS	
GM 4.3L LPG	5-28
ENGINE ELECTRICAL SYSTEM	
GM 4.3L LPG	5-16
KUBOTA 3.6L DIESEL	5-10
ENGINE ELECTRICAL SYSTEM AND ATTACHING PARTS	
KUBOTA 3.6L DIESEL	5-12
KUBOTA 3.8L DIESEL - WITH STANDARD ALTERNATOR HARNESS	5-14
ENGINE MOUNTING	
GM 4.3L, LPG	3-2
ENGINE WITH ENGINE MOUNT AND TORQUE CONVERTER	
3.6L KUBOTA DIESEL	2-16
KUBOTA 3.8L DIESEL	2-18
E-THROTTLE LINKAGE	
KUBOTA 3.6L DIESEL	4-52
EXHAUST MANIFOLD	
KUBOTA DIESEL - 3.6L	2-80
KUBOTA DIESEL - 3.8L	2-81
EXHAUST MANIFOLDS	
GM 4.3L LPG	3-28
EXHAUST SYSTEM	
COUNTERWEIGHT EXHAUST LWB - 3.6L	2-20
COUNTERWEIGHT EXHAUST LWB - 3.8L WITH DPF	2-30
COUNTERWEIGHT EXHAUST SWB - 3.6L	2-24
COUNTERWEIGHT EXHAUST SWB - 3.8L WITH DPF	2-28
GM 4.3L LPG - WITH CATALYTIC CONVERTER	3-18
GM 4.3L LPG - WITHOUT CATALYTIC CONVERTER	3-20
OVERHEAD EXHAUST LWB - 3.6L	2-22
OVERHEAD EXHAUST LWB - 3.8L WITH DPF	2-34
OVERHEAD EXHAUST SWB - 3.6L	2-26
OVERHEAD EXHAUST SWB - 3.8L WITH DPF	2-32
F	
FAN ASSEMBLY	
GM 4.3L LPG	3-16
FAN MOUNT ASSEMBLY	
GM 4.3L LPG	3-14
FAN PULLY	
KUBOTA DIESEL - 3.6L, 3.8L	2-37
FAN SHROUD WITH RADIATOR SCREEN	
GM 4.3L, LPG - SHORT WHEEL BASE	3-12
LONG WHEEL BASE - DIESEL	2-14
SHORT WHEEL BASE - DIESEL	2-12

TABLE OF CONTENTS (continued)

DESCRIPTION	PAGE
FAN SHROUD WITHOUT RADIATOR SCREEN	
GM 4.3L, LPG - SHORT WHEEL BASE	3-11
SHORT WHEEL BASE - DIESEL	2-10
FENDER EXTENSIONS	1-6
FIRE EXTINGUISHER	14-10
FLOOR PLATES AND COVERS	
SHEET 1 OF 2	1-60
SHEET 2 OF 2	1-62
FLYWHEEL AND HOUSING	
GM 4.3L LPG	3-22
KUBOTA DIESEL - 3.6L, 3.8L	2-36
FORKS	
CLASS III AND IV STANDARD TAPER	1-16
FORWARD CLUTCH	
SINGLE SPEED TRANSMISSION	6-18
FORWARD CLUTCH, HIGH	
DUAL SPEED TRANSMISSION	6-32
FORWARD CLUTCH, LOW	
DUAL SPEED TRANSMISSION	6-30
FREE-LIFT CYLINDER	
THREE STAGE FULL FREE-LIFT	13-24
TWO STAGE FULL FREE LIFT	12-18
FUEL CAP	
DIESEL	4-12
FUEL FILTER	
KUBOTA DIESEL - 3.6L	2-73
FUEL INJECTION PUMP	
KUBOTA DIESEL - 3.8L	2-71
FUEL PUMP	
KUBOTA DIESEL - 3.6L	2-72
FUEL RAIL	
KUBOTA DIESEL - 3.8L	2-60
FUEL SENDING UNIT	
KUBOTA 3.6L DIESEL	4-14
FUEL SYSTEM	
GM 4.3L - LPG (4/2014 →)	4-22
GM 4.3L LPG (→ 4/2014)	4-20
KUBOTA DIESEL - 3.8L	4-10
FULL SUSPENSION SEAT	
ELECTRO-HYDRAULIC WITH SWIVEL AND NON-SWIVEL - SHEET 2 OF 4	1-38
MANUAL WITH SWIVEL AND NON-SWIVEL - SHEET 1 OF 4	1-34
RECLINER AND DAMPER KITS - SHEET 3 OF 4	1-42
SERVICE KITS FOR NON SWIVEL AND SWIVEL - SHEET 4 OF 4	1-44
G	
GEAR CASE	
KUBOTA DIESEL - 3.6L	2-89
KUBOTA DIESEL - 3.8L	2-91
GEAR PUMP	10-4

TABLE OF CONTENTS (continued)

DESCRIPTION	PAGE
GM LPG REGULATOR DRAIN KIT	14-16
GOVERNOR	
KUBOTA DIESEL - 3.6L	2-68
GOVERNOR ACTUATOR AND PLUG	
KUBOTA DIESEL - 3.6L	2-70
H	
HAND LEVERS	
FOUR FUNCTION - WITH DETENTED LEVERS	10-16
FOUR FUNCTION - WITHOUT DETENTED LEVERS	10-18
THREE FUNCTION - WITH DETENTED LEVERS	10-12
THREE FUNCTION - WITHOUT DETENTED LEVERS	10-14
HEADER HOSE	
THREE STAGE FULL FREE LIFT	13-28
TWO STAGE FULL FREE LIFT	12-22
TWO STAGE LIMITED FREE LIFT	11-20
HEADER HOSE AUXILIARY TUBE EXTENSIONS	
THREE STAGE FULL FREE- LIFT - INTEGRAL SIDE-SHIFT CARRIAGE WITHOUT QUICK DISCONNECTS	14-38
TWO STAGE FULL FREE- LIFT - INTEGRAL SIDE-SHIFT CARRIAGE WITHOUT QUICK DISCONNECTS	14-37
TWO STAGE LIMITED FREE-LIFT - INTEGRAL SIDE-SHIFT CARRIAGE WITHOUT QUICK DISCONNECTS	14-36
HEADER HOSE AUXILIARY TUBE EXTENSIONS WITH QUICK DISCONNECTS	
THREE STAGE FULL FREE-LIFT - STANDARD CARRIAGE	13-38
THREE STAGE FULL FREE-LIFT - ATTACHMENT CARRIAGE	13-44
THREE STAGE FULL FREE-LIFT - INTEGRAL SIDE-SHIFT CARRIAGE	14-44
TWO STAGE FULL FREE- LIFT - STANDARD CARRIAGE	12-34
TWO STAGE FULL FREE-LIFT - ATTACHMENT CARRIAGE	12-40
TWO STAGE FULL FREE-LIFT - INTEGRAL SIDE-SHIFT CARRIAGE	14-42
TWO STAGE LIMITED FREE-LIFT - STANDARD CARRIAGE	11-26
TWO STAGE LIMITED FREE-LIFT - ATTACHMENT CARRIAGE	11-32
TWO STAGE LIMITED FREE-LIFT - INTEGRAL SIDE-SHIFT CARRIAGE	14-40
HEADER HOSE AUXILIARY TUBE EXTENSIONS WITHOUT QUICK DISCONNECTS	
THREE STAGE FULL FREE LIFT - STANDARD CARRIAGE	13-36
THREE STAGE FULL FREE- LIFT - ATTACHMENT CARRIAGE	13-42
TWO STAGE FULL FREE LIFT - STANDARD CARRIAGE	12-32
TWO STAGE FULL FREE- LIFT - ATTACHMENT CARRIAGE	12-38
TWO STAGE LIMITED FREE LIFT - STANDARD CARRIAGE	11-24
TWO STAGE LIMITED FREE-LIFT - ATTACHMENT CARRIAGE	11-30
HEATER HOSE FOR MODULAR CAB	
WITH DIESEL ENGINE	1-106
WITH LPG ENGINE	1-108
HOOD ASSEMBLY	1-4
HOSE GROUPS	
HYDRAULIC CONTROL VALVE (MANUAL)	
AUXILIARY ONE AND TWO SECTION - THREE AND FOUR FUNCTION (4/2014 →)	10-36
LIFT AND TILT - THREE AND FOUR FUNCTION (4/2014 →)	10-34
OUTLET SECTION - THREE AND FOUR FUNCTION (4/2014 →)	10-38

TABLE OF CONTENTS (continued)

DESCRIPTION	PAGE
THREE AND FOUR FUNCTION (4/2014 →)	10-32
HYDRAULIC FILTER	10-8
HYDRAULIC SUPPLY AND RETURN	10-2
WITH VARIABLE DISPLACEMENT PUMP	10-6
I	
IMPACT SENSOR	5-46
INJECTION PIPE	
KUBOTA DIESEL - 3.8L	2-61
INJECTION PUMP	
KUBOTA DIESEL - 3.6L	2-67
INJECTION PUMP HOUSING	
KUBOTA DIESEL - 3.6L	2-66
INJECTOR BODY	
KUBOTA 3.6L DIESEL	2-64
INJECTOR HARNESS	
KUBOTA DIESEL - 3.8L	2-65
INLET AND EXHAUST VALVES	
KUBOTA DIESEL - 3.8L	2-54
INLET MANIFOLD	
KUBOTA DIESEL - 3.6L	2-74
KUBOTA DIESEL - 3.8L	2-76
INNER MAST	
THREE STAGE FULL FREE-LIFT	13-10
INNER MAST AND FREE-LIFT	
THREE STAGE FULL FREE-LIFT	13-12
TWO STAGE FULL FREE LIFT	12-6
INSTRUMENT CLUSTER	5-3
INTEGRAL SIDE-SHIFT ASSEMBLY	
H4.0FT5, H4.0FT6 (1219 MM, 1524 MM) - TWO AND THREE STAGE FULL FREE-LIFT	14-18
H4.0FT5, H4.0FT6, (1219 MM, 1524 MM) - TWO STAGE LIMITED FREE-LIFT	14-20
H4.5FTS5 , H4.5FT6-H5.0-5.5FT (1372 MM AND 1524 MM) - TWO STAGE LIMITED FREE-LIFT	14-30
H4.5FTS5, H4.5FT6-H5.0-5.5FT (1372 MM AND 1524 MM) - TWO AND THREE STAGE FULL FREE-LIFT	14-28
INTEGRAL SIDE-SHIFT CARRIAGE	
H4.0FT5, H4.0FT6 (1219 MM, 1524 MM) - TWO STAGE LIMITED FREE-LIFT	14-22
H4.0FT5, H4.0FT6 (1219 MM) - TWO AND THREE STAGE FULL FREE-LIFT	14-26
H4.0FT5, H4.0FT6 (1524 MM) - TWO AND THREE STAGE FULL FREE-LIFT	14-24
H4.5FTS5 , H4.5FT6, H5.0-5.5FT (1372 MM AND 1524 MM) - TWO STAGE LIMITED FREE-LIFT	14-32
H4.5FTS5, H4.5FT6-H5.0-5.5FT (1372 MM AND 1524 MM) - TWO AND THREE STAGE FULL FREE-LIFT	14-34
INTERMEDIATE MAST	
THREE STAGE FULL FREE LIFT	13-6
J	
JOYSTICK	
→ 4/2014	5-50
JOYSTICK CONTROL LABELS	
→ 4/2014	1-26

TABLE OF CONTENTS (continued)

DESCRIPTION	PAGE
WITH RETURN TO SET TILT (→ 4/2014)	1-28
L	
LABELS	
EXTERIOR	1-18
HYDRAULIC CONTROL LABELS - MANUAL HYDRAULIC	1-22
INTERIOR	1-20
LIFTING EYES	14-14
LIGHTS	
BRAKE, TAIL, BACKUP, SIDE, TURN SIGNALS, WORK, STROBE - WITH OVERHEAD GUARD	5-24
BRAKE, TAIL, BACKUP, SIDE, TURN SIGNALS, WORK, STROBE - WITH CAB	5-26
LOAD BACK REST EXTENSION	1-14
LOAD WEIGH ELECTRICAL	5-44
LPG BRACKET ASSEMBLY	
SWING OUT DROP DOWN WITH TWIN STEEL STRAPS (→ S/N S005B02164M)	4-32
SWING OUT DROP DOWN WITH TWIN STEEL STRAPS (S/N S005B02165M →)	4-36
SWING OUT WITH FABRIC STRAP	4-40
SWING OUT WITH TWIN STEEL STRAPS (→ S/N S005B02164M)	4-30
SWING OUT, DROP DOWN WITH FABRIC STRAP	4-42
LPG CONVERTER	
GM 4.3L LPG	4-28
LPG LOCK OFF	
GM 4.3L	4-29
LPG REGULATOR AND MIXER	
GM 4.3L	4-27
M	
MAIN LIFT	
THREE STAGE FULL FREE-LIFT	13-16
MAIN LIFT CYLINDER	
THREE STAGE FULL FREE LIFT	13-20
TWO STAGE FULL FREE LIFT - H4.0FTS, H4.0FT6	12-10
TWO STAGE FULL FREE LIFT - H4.5FTS5, H4.5FT6, H5.0FT, H5.5FT	12-14
MANUAL CONTROL VALVE	
AUXILIARY ONE AND TWO - THREE AND FOUR FUNCTION (→ 4/2014)	10-28
LIFT AND TILT - THREE AND FOUR FUNCTION (→ 4/2014)	10-26
OUTLET SECTION - THREE AND FOUR FUNCTION (→ 4/2014)	10-30
MAST	
TWO STAGE LIMITED FREE LIFT - OUTER MAST AND MAIN LIFT	11-2
TWO STAGE LIMITED FREE LIFT - INNER MAST	11-6
TWO STAGE LIMITED FREE LIFT - MAIN LIFT CYLINDER (H4.0FTS, H4.0FT6)	11-10
TWO STAGE LIMITED FREE LIFT - MAIN LIFT CYLINDER (H4.5-5.5FT)	11-12
MAST TILT SENSOR	5-42
MINI LEVER MODULE LABELS	
HYDRAULIC CONTROL FUNCTIONS	1-24
MINI-LEVER CONTROLS	
WITH ARMREST - THREE FUNCTION	5-54
WITH ARMREST - FOUR FUNCTION	5-56

TABLE OF CONTENTS (continued)

DESCRIPTION	PAGE
MIRROR	
WITHOUT CAB	14-8
MISCELLANEOUS CONVERSION KITS	15-11
MODULAR CAB	
PVC DOORS	1-66
MODULAR CAB AND ATTACHING PARTS	
WITH PVC DOORS	1-64
WITH STEEL DOORS - WITHOUT AIR CONDITIONING	1-68
WITH STEEL DOORS - WITH AIR CONDITIONING (SHEET 2 OF 2)	1-72
WITH STEEL DOORS AND AIR CONDITIONING - (SHEET 1 OF 2)	1-70
MODULAR CAB WITH STEEL DOORS	
AIR CONDITIONER COMPONENTS	1-102
HEATER - WITHOUT AIR CONDITIONING	1-96
LEFT HAND DOOR	1-84
RIGHT HAND DOOR AND AIR CONDITIONER ASSEMBLY	1-98
RIGHT HAND DOOR AND HEATER ASSEMBLY - WITHOUT AIR CONDITIONING	1-86
RIGHT HAND DOOR ASSEMBLY - WITH AIR CONDITIONING	1-100
SHEET 1 OF 3	1-78
SHEET 2 OF 3	1-80
SHEET 3 OF 3	1-82
SLIDING REAR WINDOW	1-94
WINDOW - LH DOOR	1-90
WINDOW - RH DOOR	1-92
WITH AIR CONDITIONING	1-76
WITHOUT AIR CONDITIONING	1-74
MUD GUARDS	1-10
N	
NOZZLE HOLDER AND GLOW PLUG	
KUBOTA DIESEL - 3.6L	2-63
O	
OIL COOLER	
KUBOTA DIESEL - 3.6L	2-43
KUBOTA DIESEL - 3.8L	2-44
OIL PAN	
KUBOTA DIESEL - 3.6L, 3.8L	2-88
OIL PUMP	
GM 4.3L LPG	3-40
OIL SEPARATOR	
KUBOTA DIESEL - 3.8L	2-42
OUTER MAST	
THREE STAGE FULL FREE-LIFT	13-2
OUTER MAST AND MAIN LIFT	
TWO STAGE FULL FREE LIFT	12-2
OVERHEAD GUARD	1-8
P	
PARK BRAKE ASSEMBLY	
MANUAL WITH ONE CABLE - NMHG	9-22

TABLE OF CONTENTS (continued)

DESCRIPTION	PAGE
MANUAL WITH TWO CABLES - DANA	9-20
PISTON AND CRANKSHAFT	
KUBOTA DIESEL - 3.6L	2-56
KUBOTA DIESEL - 3.8L	2-58
POWER DISTRIBUTION MODULE	5-38
PRE-CLEANER AND MOUNT	
DIESEL	4-8
DIESEL ENGINE - WITH AIR CONDITIONING	4-9
PULLEY AND TENSIONER	
GM 4.3L LPG	3-24
R	
REAR DRIVE HANDLE	14-2
RELAY	
KUBOTA DIESEL	5-35
REMOTE KEY SWITCH	5-48
REVERSE CLUTCH	
DUAL SPEED TRANSMISSION	6-34
SINGLE SPEED TRANSMISSION	6-20
ROCKER ARM ASSEMBLY	
WITH INLET AND EXHAUST VALVES - KUBOTA DIESEL (3.6L)	2-52
ROCKER ARM SHAFT	
KUBOTA DIESEL - 3.8L	2-55
S	
SEAT	
FULL SUSPENSION, HIGH BACK WITH LUMBAR ADJUSTMENT - SHEET 1 OF 2	1-46
FULL SUSPENSION, HIGH BACK WITH LUMBAR ADJUSTMENT - SHEET 2 OF 2	1-50
SEAT BELT SWITCH ADAPTER	
4/2014 →	5-52
SEMI-SUSPENSION SEAT	
WITH ELECTRONIC CONTROLS	1-32
WITHOUT ELECTRONIC CONTROLS	1-30
SENSORS	
KUBOTA DIESEL - 3.8L	2-97
SOUND ABATEMENT	
WITH CAB	1-110
SPARK PLUGS AND WIRES	
GM 4.3L LPG	5-29
STANDARD CARRIAGE	
THREE STAGE FULL FREE LIFT	13-32
TWO STAGE FULL FREE-LIFT	12-26
TWO STAGE LIMITED FREE LIFT	11-16
STARTER	
GM 4.3L LPG	5-30
KUBOTA DIESEL - 3.6L, 3.8L	2-102
STEER AXLE	8-14
STEER CONTROL UNIT	8-10
STEER CYLINDER	8-18

TABLE OF CONTENTS (continued)

DESCRIPTION	PAGE
STEER TIRE AND WHEEL	8-20
STEERING COLUMN AND ATTACHING PARTS	8-4
STEERING COLUMN ASSEMBLY	
DIESEL	8-8
LPG	8-6
STEERING CONTROL UNIT	
VARIABLE DISPLACEMENT	8-12
STEERING HOSES	8-2
STROBE LIGHT	
LED	14-4
T	
THERMOSTAT AND WATER OUTLET HOUSING	
GM 4.3L LPG	3-29
THROTTLE BODY	
GM 4.3L LPG	4-26
THROTTLE CABLE ASSEMBLY	
KUBOTA 3.6L DIESEL	4-50
THROTTLE PEDAL ASSEMBLY AND ATTACHING PARTS	
MONOTROL PEDAL	4-48
STANDARD PEDAL	4-46
TILT HOSES	10-56
TILT CYLINDER AND MAST INSTALLATION	10-58
TILT CYLINDERS	10-60
TORQUE CONVERTER	
GM 4.3L LPG	6-9
TRANSMISSION	
DUAL SPEED - TWO PIECE HOUSING	6-22
DUAL SPEED - SECTION 1 OF 2	6-24
DUAL SPEED - SECTION 2 OF 2	6-26
SINGLE SPEED - TWO PIECE HOUSING	6-10
SINGLE SPEED - SECTION 1 OF 2	6-11
SINGLE SPEED - SECTION 2 OF 2	6-14
TRANSMISSION COOLING LINES	
DIESEL WITH STANDARD RADIATOR	6-2
LPG WITH STANDARD RADIATOR	6-4
WITH EXTERNAL OIL COOLER - LPG AND DIESEL	6-6
TRANSMISSION ELECTRICAL SYSTEM	5-58
TRANSMISSION MOUNT	6-8
TURBO INLET PIPE	
KUBOTA DIESEL - 3.8L	2-85
TURBOCHARGER	
KUBOTA DIESEL - 3.6L	2-82
KUBOTA DIESEL - 3.8L	2-83
TURBOCHARGER OIL PLUMBING	
KUBOTA DIESEL - 3.6L	2-86
KUBOTA DIESEL - 3.8L	2-87

TABLE OF CONTENTS (continued)

DESCRIPTION	PAGE
V	
VALVE COVER AND INLET MANIFOLD	
GM 4.3L LPG	3-34
VARIABLE DISPLACEMENT PUMP	
ASSEMBLY	10-11
VARIABLE DISPLACEMENT PUMP AND ADAPTOR	10-10
VENT LINE GROUP	
WITH STANDARD CONTROL VALVE	10-62
WITH VARIABLE DISPLACEMENT CONTROL VALVE	10-64
W	
WATER PUMP	
KUBOTA DIESEL - 3.6L	2-100
KUBOTA DIESEL - 3.8L	2-101
WATER PUMP FLANGE AND THERMOSTAT	
KUBOTA DIESEL - 3.6L	2-98
KUBOTA DIESEL - 3.8L	2-99
WET BRAKE ASSEMBLY	
DANA	7-10
NMHG	7-20
WET BRAKE BOOSTER SUPPLY AND RETURN	
NMHG	9-16
WIRE HARNESS	
ADAPTER - LOW FUEL PRESSURE	5-60
AIR CONDITIONER	5-62
COWL - MANUAL HYDRAULICS WITH MONOTROL PEDAL	5-118
COWL - MANUAL HYDRAULICS WITH FORWARD/REVERSE	5-122
COWL - ELECTRO-HYDRAULICS WITH MONOTROL PEDAL	5-126
COWL - ELECTRO-HYDRAULICS WITH FORWARD/REVERSE	5-130
DPF DISPLAY	5-138
ELECTRONIC CONTROL VALVE - THREE FUNCTION	5-66
ELECTRONIC CONTROL VALVE - FOUR FUNCTION	5-68
ENGINE - KUBOTA DIESEL 3.6L	5-74
ENGINE - KUBOTA 3.8L DIESEL	5-78
LIGHTS - WITH OVERHEAD GUARD	5-84
RH CHASSIS - GM 4.3L LPG AND KUBOTA 3.8L DIESEL (→ 4/2014)	5-88
RH CHASSIS - GM 4.3L LPG AND KUBOTA 3.8L DIESEL (4/2014 →)	5-94
RH CHASSIS - KUBOTA DIESEL (3.6L)	5-106
RH CHASSIS WITH SEAT BELT SEQUENCE MODULE - GM 4.3L LPG AND KUBOTA 3.8L DIESEL	5-100
RH CHASSIS WITH SEAT BELT SEQUENCE MODULE - KUBOTA DIESEL (3.6L)	5-112
TRANSMISSION - SINGLE SPEED	5-134
TRANSMISSION - DUAL SPEED	5-136
WIRE HARNESS (ENGINE)	
GM 4.3L, LPG	5-70

ABBREVIATIONS QUICK REFERENCE SHEET

Listed below are abbreviations used in parts manuals to denote the following expressions:

TERM	DEFINITION	TERM	DEFINITION
Amp	Amperes	FRE	Freezer Environment
AR	As Required	in.	inches
BDI	Battery Discharge Indicators	LPG	Liquefied Petroleum Gas
BWI	Brush Wear Indicator	MAP	Manifold Absolute Pressure
CE	Communicator End	mm	millimeters
CRE	Corrosive Environment	MSTS	Microprocessor Spark Timing System
D/B	Date Break	NPT	National Pipe Threads
dbA	Decibel "A" Scale	O/S	Oversize
DE	Drive End	PTO	Power Take Off
ECH	Empty Container Handler	RPM	Revolutions per Minute
ECH-3	Empty Container Handler - 3 High Stacking	S/N	Serial Number
ECH-4	Empty Container Handler - 4 High Stacking	TMM	Truck Management Module
ECH-5	Empty Container Handler - 5 High Stacking	UL Type D	Diesel-Powered Safety Rating
ECH-6	Empty Container Handler - 6 High Stacking	UL Type DS	Diesel-Powered Safety Rating
ECH-7	Empty Container Handler - 7 High Stacking	UL Type E	Battery-Powered Safety Rating
ECM	Electronic Control Module	UL Type EE	Battery-Powered Safety Rating
ECN	Engineering Change Notice	UL Type ES	Battery-Powered Safety Rating
EEPROM	Electrically Erasable Programmable Read Only Memory	UL Type G	Gasoline-Powered Safety Rating
EPA	US Environmental Protection Agency	UL Type GS	Gasoline-Powered Safety Rating
EPROM	Electrically Programmable Read Only Memory	UL Type LP	Gas-Powered Safety Rating
		UL Type LPS	LP Gas-Powered Safety Rating
		U/S	Undersize
		UL	Underwriters Laboratory
		V	Volts

HOW TO USE THE ILLUSTRATED PARTS MANUAL

This parts manual describes and illustrates assemblies, subassemblies, and detail parts needed for service replacement.

The different constructions are indicated by keys and footnotes. The callouts correspond to descriptions found on the next page.

The diagram illustrates the layout of the parts manual with the following sections and callouts:

- 1:** TABLE OF CONTENTS
- 2:** SECTIONS
- 3:** UNIT CODE G160 EUROPE
- 4:** HYSTER
- 5:** SECTION 11 NUMERICAL INDEX
- 6:** TRANSMISSION HOUSING (⇒ S/N G160-2628)
- 7:** KEY: A: Diesel, B: Gasoline and LPG
- 8:** ITEM, PART NO., DESCRIPTION
- 9:** QTY A, B
- 10:** TRANSMISSION HOUSING (⇒ S/N G160-2628)

SECTION 11 NUMERICAL INDEX

PART NO.	PG	ITEM	PART NO.	PG	ITEM	PART NO.	PG	ITEM	PART NO.	PG	ITEM
138	5-9	31	5-17	42	16481	6-25	3	16882	6-7	28	
	5-13	31	7-13	8		6-25	4	16883	9-7	8	
139	5-9	32	1-3	6		6-26	53	16882	6-25	5	
	5-13	32	1-4	45		6-26	65		7-5	25	
12921	3-12	10	5-9	16		10-3	16		8-5	24	
14269	5-5	8	5-13	16		6-26	48		9-5	19	
						16483	6-11	3	16989	6-25	10
						16484	6-11	9	17051	7-5	19
							6-13	101		8-5	13
							6-13	34		9-5	13
							6-25	7		6-25	6
							6-25	8	17061	3-9	24
							6-25	11	17151	3-11	26
							6-25	20		6-25	22
							9-7	7	17776		

SECTIONS

- 1
- 2
- 3
- 4
- 5
- 6
- 7
- 8
- 9
- 10
- 11

TRANSMISSION HOUSING (⇒ S/N G160-2628)

KEY:
A: Diesel
B: Gasoline and LPG

ITEM	PART NO.	DESCRIPTION	QTY	A	B
		Transmission	1		
		Transmission	1		
		Transmission	2		
		Transmission	4		
		Transmission	4		
1	2064470	Bearing Cap	1		
2	2023418	Washer	2		
3	296426	Capscrew	2		
4	293692	Cover	4		
5	2021390	Cotter Pin	1		
6	1371656	O-Ring	4		
7	2021329	Plug	22		
8	2021915	Housing	39		
9	2021675	Pin	1		
10	2021336	Capscrew	1		
11	287860	Lockwasher	1		
12	292682	Hydraulic Pump (see Figure 6-6)	8		
13		Gasket	8		
14	2021345	Capscrew	1		
15	214364	Washer	1		
16	296418	Temperature Switch	1		
17	2021388	Breather	9		
18	2021389	Dipstick	9		
19	2021383	Capscrew	2		
20	292515	Nut	3		
21	136692	Capscrew	4		
22	292527	Capscrew	4		
23	292531	Lockwasher	4		
24	292683	Capscrew	1		
25	293637	Capscrew	1		
26	296420	Washer	1		
	996403	Transmission Kit (Include Item 7)	1		
	996405	Transmission Kit (Include Item 14)	1		

This Parts Manual is divided into 11 major sections which are listed above. Quick reference can be made by placing the right thumb on the tab of the desired section, bending the bottom edge of the manual, and turning the pages to the corresponding tab.

©2001 HYSTER COMPANY

See Service Manual for service procedures.

3-15

HP990135

HOW TO FIND THE DESIRED PART NUMBER**WHEN THE PART NUMBER AND THE NEXT HIGHER ASSEMBLY IS NOT KNOWN:**

1. Determine the function and application of the part required. Turn to the Sections Page. Choose the general area of reference most likely to include the part.
2. Turn to the section you chose. Use the Section Table of Contents to determine the assembly which would normally contain the part required. Then locate the part on the assembly breakdown page.

WHEN THE PART NUMBER IS NOT KNOWN AND THE NEXT HIGHER ASSEMBLY IS KNOWN:

3. Determine the assembly the required part is used on. Turn to the Table of Contents (Page i).
4. Locate the assembly the required part is used on and turn to the page indicated for that assembly. Then locate the part on the assembly breakdown page.

WHEN THE PART NUMBER IS KNOWN:

5. Use the Numerical Index (Page 16-1) to find the part number. Turn to the page listed and locate the part as indicated by the item number.

GENERAL:

The assembly breakdowns include part numbers, descriptions, quantities required, keys and footnotes to help in selecting correct parts.

6. Parts Supersession Information. Part numbers that have this history will be displayed in the parts list in the order that they were superseded (from oldest to newest). The superseded part numbers will be shown with a line through them.

Five periods in the PART NO. column (.) indicate that the part is either *Not Serviced Separately* or there is a reference to another figure. A figure reference is denoted by a pointing hand followed by a figure number in the DESCRIPTION column (☞ Figure 10)

7. Keys are used to show two or more similar assemblies, RH and LH assembly parts, etc. Select the appropriate key, "A", "B", "C", "D", or "E" and the corresponding quantity column to find the required parts. Two periods in the QTY column (..) indicate that the part is not used for that assembly.
8. Indented descriptions under the DESCRIPTION column are used to indicate assemblies and

subparts of assemblies. In the example on the previous page, *BEARING CAP* (Item 2) is a subpart of the major assembly *CASE*.

9. Quantities shown are for one assembly. The quantities of the subpart *BEARING CAP* are indicated as two and two. This means two per *CASE* assembly.
10. Serial number breaks identify the most current parts information and are shown as follows:
 - **S/N D001H2628**
Indicates last serial number affected.
 - S/N D001H2629** →
Indicates the first serial number affected.
 - S/N D001H1553** ↔ **S/N D001H3291**
Indicates a range of serial numbers affected.

ECN numbers for pending serial numbers are shown to allow for the inclusion of the most current parts information and are identified as follows:

→ **S/N Pending Per ECN 63243**

Indicates a pending serial number for last unit affected.

S/N Pending Per ECN 63243 →

Indicates a pending serial number for first unit affected.

Date breaks are used to indicate when a change occurred but a subsequent serial number break was not recorded. This is an arbitrary date usually based on the ECN release and are identified as follows:

→ **D/B 3/00**

Indicates that a change occurred sometime within that month for the item affected.

D/B 3/00 →

Indicates that a change occurred sometime within that month for the item affected.

D/B 3/00 ↔ **D/B 4/00**

Indicates a range of production dates of the item affected.

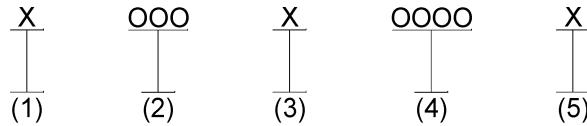
Contact your local dealer for Hyster lift trucks for serial number information for items with a ECN or a date break.

ORDERING PARTS:

When ordering replacement parts, give the unit serial number, part number, name of part and quantity required.

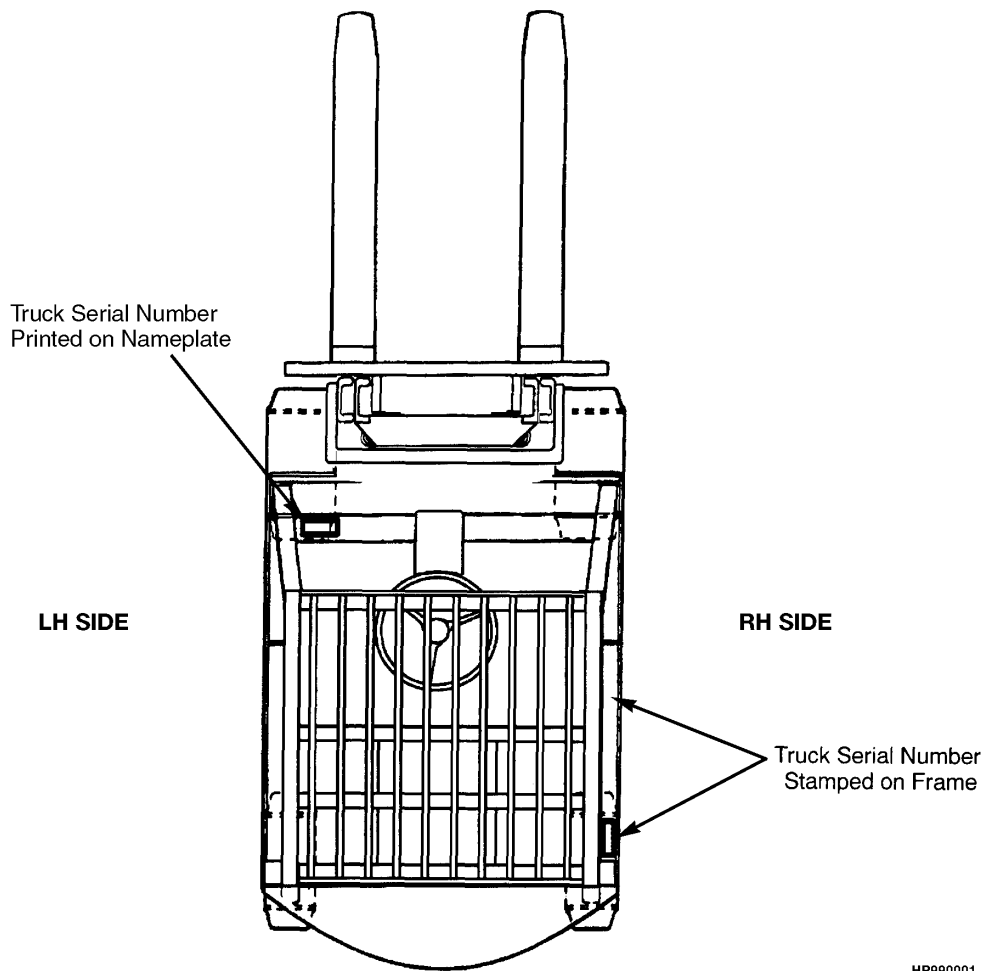
For any further information on parts, service, or ordering, consult your local dealer for Hyster lift trucks.

IDENTIFICATION OF TRUCK SERIAL NUMBERS

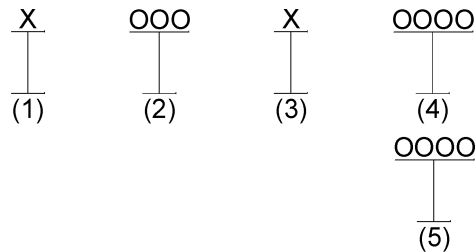


- (1) and (2) The first letter and three numbers indicate the truck unit code.
- (3) The second letter indicates the plant of manufacture.
- (4) The four or five digit number indicates the production sequence number of the truck.
- (5) The final letter indicates the year of manufacture starting with "A" in 1957, 1980, and 2003.
The letters "I", "O", and "Q" will not be used.

For pending serial numbers contact your local dealer for Hyster lift trucks.



Parts referred to in this book as right or left hand parts are in accordance with the illustration above.

IDENTIFICATION OF MAST SERIAL NUMBERS

- (1) and (2) The first letter and number indicates the mast unit code.
- (3) The second letter indicates the plant of manufacture.
- (4) The four or five digit number indicates the production sequence number of the mast.
- (5) Carriage travel in millimeters stamped just below the serial number.

Mast Group identification consists of mast unit code (1) and (2) plus carriage travel (5).

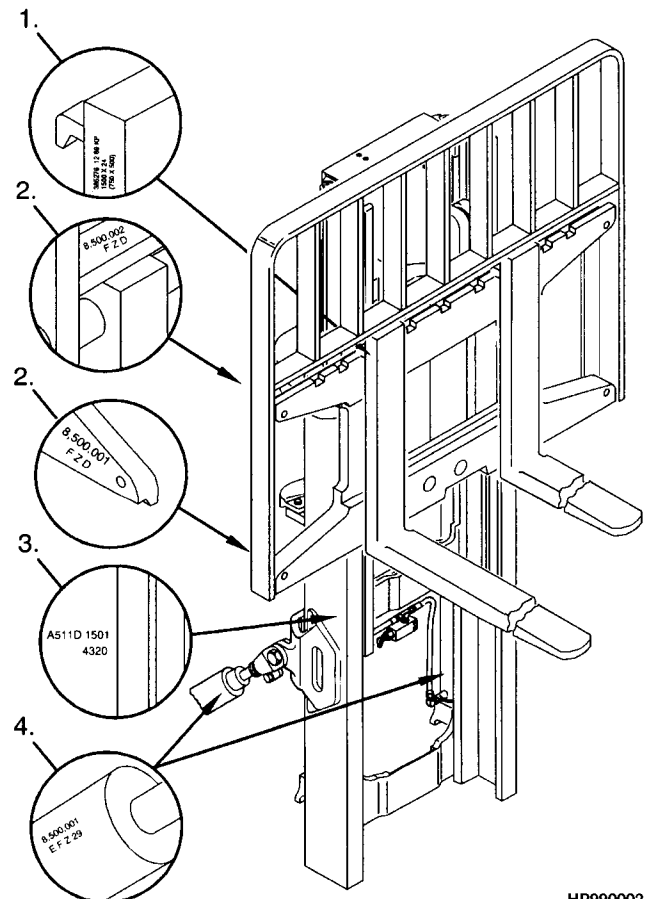
For pending production sequence numbers contact your local dealer for Hyster lift trucks.

LIFT EQUIPMENT IDENTIFICATION

1. Fork part number, capacity rating, plant code letter, and date of manufacture are stamped approximately six inches below the top of most forks.
2. The carriage group number is stamped on the right hand side of the top crossmember (pin type) or on the back of the right hand end of the bottom crossmember (hook type). A date code has two letters in line with or below the carriage group number.
3. The mast identification number has a unit code, a letter indicating the plant of manufacture, and a serial number. Underneath the production sequence number is a four digit number that indicates the carriage travel in millimeters.
4. Tilt and lift cylinder group numbers are stamped on the cylinder shell.

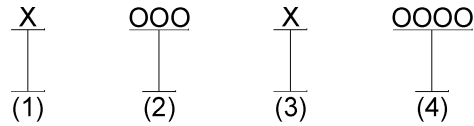
Always refer to the group, serial, or part number when ordering service parts.

Modification of masts and carriages by SPED (Special Products Engineering Department) are identified by a model prefix code beginning with the letter "S". contact your dealer for Hyster lift trucks for information on these assemblies.



HP990002

IDENTIFICATION OF ATTACHMENT AND SIDE-SHIFT CARRIAGE SERIAL NUMBERS

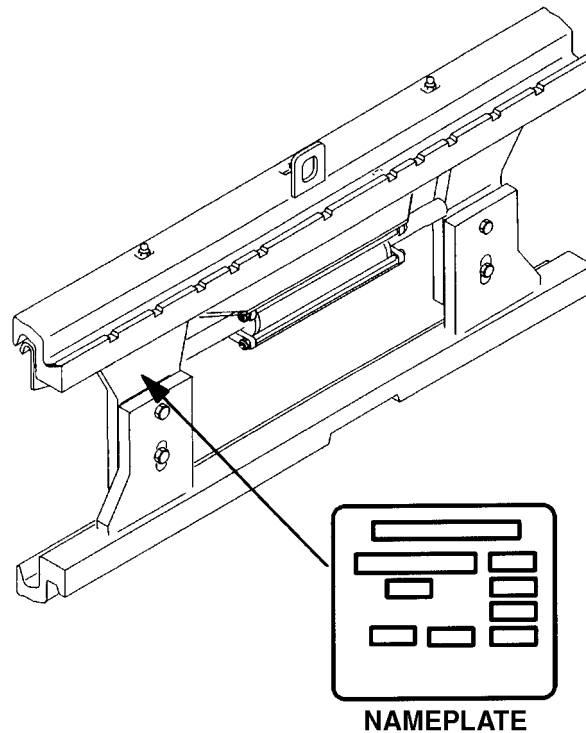


(1) and (2) The first letter and three numbers indicate the attachment unit code.

(3) The second letter indicates the plant of manufacture.

(4) The four or five digit number indicates the production sequence number.

For pending production sequence numbers contact your local dealer for Hyster lift trucks.



HP990003

Side-shift carriages and attachments have nameplates. Use the serial number found on the nameplate to identify the attachment.

Always refer to the group, serial, or part number when ordering service parts.

Modifications of attachments and side-shift carriages by SPED (Special Products Engineering Department) are identified by a model prefix code beginning with the letter "S". Contact your dealer for Hyster lift trucks for information on these assemblies.

PUBLICATIONS

Every new lift truck is provided with an OPERATING MANUAL. This manual has information that the operator must know for inspection and operation of the lift truck.

SERVICE MAINTENANCE MANUALS, which provide service and overhaul procedures, and PARTS

MANUALS with complete replacement part identification, are available at a nominal fee from your Hyster dealer to assist users in effectively maintaining Hyster lift trucks in a safe, useful condition. See the list below for information on ordering specific publications for this model lift truck.

PUBLICATION	HYSTER PART NUMBER
Operating Manual.....	4069361
Service Manual (Complete).....	4069567
Parts Manual.....	4069389

1

FRAME

SECTION 1
FRAME

DESCRIPTION	PAGE
ARMREST ASSEMBLY	
JOYSTICK (→ 4/2014)	1-52
JOYSTICK (→ 4/2014)	1-54
MINI-LEVER MODULES - SEMI-SUSPENSION SEAT	1-56
MINI-LEVER MODULES - FULL SUSPENSION SEAT	1-58
BOLT ON CAB WITH STANDARD (HIGH) OVERHEAD GUARD	
FRONT SCREEN WITH WIPER/WASHER - PAGE 1 OF 2	1-112
FRONT SCREEN WITH WIPER/WASHER - PAGE 2 OF 2	1-114
PVC DOORS	1-122
REAR SCREEN WITH WIPER/WASHER - PAGE 1 OF 2	1-118
REAR SCREEN WITH WIPER/WASHER - PAGE 2 OF 2	1-120
TOP SCREEN	1-116
CONDENSER ASSEMBLY	1-104
COUNTERWEIGHT	1-12
COWL MOUNT	1-11
FENDER EXTENSIONS	1-6
FLOOR PLATES AND COVERS	
SHEET 1 OF 2	1-60
SHEET 2 OF 2	1-62
FORKS	
CLASS III AND IV STANDARD TAPER	1-16
FULL SUSPENSION SEAT	
ELECTRO-HYDRAULIC WITH SWIVEL AND NON-SWIVEL - SHEET 2 OF 4	1-38
MANUAL WITH SWIVEL AND NON-SWIVEL - SHEET 1 OF 4	1-34
RECLINER AND DAMPER KITS - SHEET 3 OF 4	1-42
SERVICE KITS FOR NON SWIVEL AND SWIVEL - SHEET 4 OF 4	1-44
HEATER HOSE FOR MODULAR CAB	
WITH DIESEL ENGINE	1-106
WITH LPG ENGINE	1-108
HOOD ASSEMBLY	1-4
JOYSTICK CONTROL LABELS	
→ 4/2014	1-26
WITH RETURN TO SET TILT (→ 4/2014)	1-28
LABELS	
EXTERIOR	1-18
HYDRAULIC CONTROL LABELS - MANUAL HYDRAULIC	1-22
INTERIOR	1-20
LOAD BACK REST EXTENSION	1-14
MINI LEVER MODULE LABELS	
HYDRAULIC CONTROL FUNCTIONS	1-24
MODULAR CAB	
PVC DOORS	1-66
MODULAR CAB AND ATTACHING PARTS	
WITH PVC DOORS	1-64
WITH STEEL DOORS - WITHOUT AIR CONDITIONING	1-68
WITH STEEL DOORS - WITH AIR CONDITIONING (SHEET 2 OF 2)	1-72
WITH STEEL DOORS AND AIR CONDITIONING - (SHEET 1 OF 2)	1-70
MODULAR CAB WITH STEEL DOORS	
AIR CONDITIONER COMPONENTS	1-102

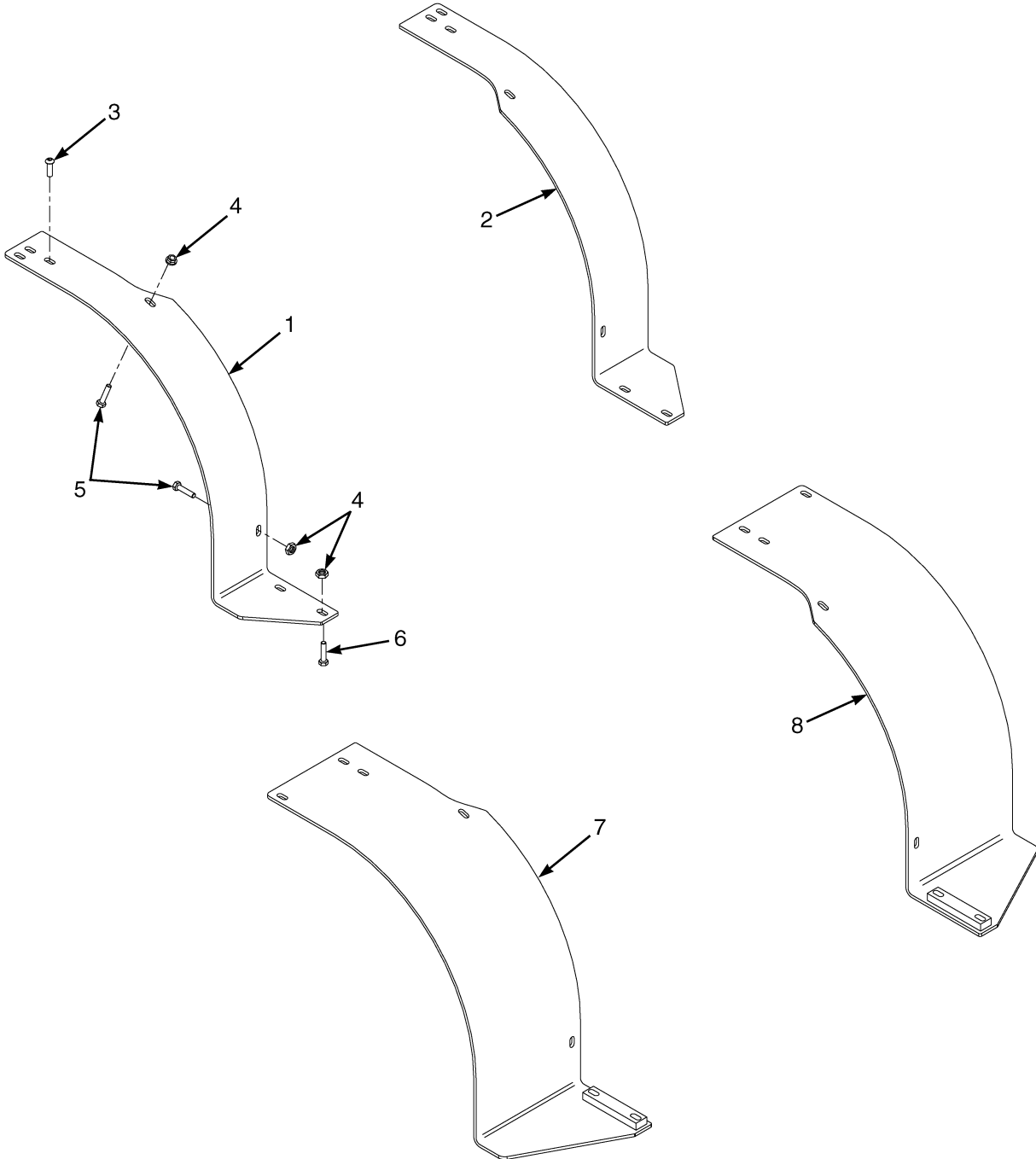
SECTION 1
FRAME

DESCRIPTION	PAGE
HEATER - WITHOUT AIR CONDITIONING	1-96
LEFT HAND DOOR	1-84
RIGHT HAND DOOR AND AIR CONDITIONER ASSEMBLY	1-98
RIGHT HAND DOOR AND HEATER ASSEMBLY - WITHOUT AIR CONDITIONING	1-86
RIGHT HAND DOOR ASSEMBLY - WITH AIR CONDITIONING	1-100
SHEET 1 OF 3	1-78
SHEET 2 OF 3	1-80
SHEET 3 OF 3	1-82
SLIDING REAR WINDOW	1-94
WINDOW - LH DOOR	1-90
WINDOW - RH DOOR	1-92
WITH AIR CONDITIONING	1-76
WITHOUT AIR CONDITIONING	1-74
MUD GUARDS	1-10
OVERHEAD GUARD	1-8
SEAT	
FULL SUSPENSION, HIGH BACK WITH LUMBAR ADJUSTMENT - SHEET 1 OF 2	1-46
FULL SUSPENSION, HIGH BACK WITH LUMBAR ADJUSTMENT - SHEET 2 OF 2	1-50
SEMI-SUSPENSION SEAT	
WITH ELECTRONIC CONTROLS	1-32
WITHOUT ELECTRONIC CONTROLS	1-30
SOUND ABATEMENT	
WITH CAB	1-110

HOOD ASSEMBLY

ITEM	PART NO.	DESCRIPTION	QTY
	4016238	Hood (With Sound Liner)	1
	Hood Assembly (Without Sound Liner)	1
1	4015889	Hood (Non-Vented)	1
2	4025271	Hood Reinforcement	1
3	1460477	Nut	6
4	1528778	Capscrew	6
5	1608879	Capscrew	4
6	364868	Nut	8
7	1500912	Clip	1
8	1537551	Nut (Clip) (Clip Connector)	1
9	296149	Capscrew	1
10	329069	Nut	2
11	1585581	Bumper (Hood)	2
12	1527880	Capscrew	8
13	1567821	Hinge	2
14	302381	Dowel	1
15	1534417	Capscrew	8
16	1564263	Handle	1
17	1527876	Capscrew	2
18	1590488	Seal	1
19	1676377		
	4087449		
	4126730	Hood Liner	1
20	1590370	Latch	1
21	1527878	Capscrew	4
22	1584142	Link	1
23	1304971	Fastener (Without Sound Liner)	4
23	1304971	Fastener (With Sound Liner)	10
24	1530221	Clip	2
25	1616379	Plug (Yellow)	1
26	1708350	Liner (With Sound Liner)	1
27	1584654	Striker Bolt	1
28	1583611	Capscrew	2
29	1528889	Capscrew	6
30	4031944	Grommet	1
31	1460477	Nut	4
32	296029	Capscrew	4
33	1347045	Fastener	8
34	4014557	Gas Spring (w/o Cab)	2
34	4014557	Gas Spring (w/ Cab and Semi/Full Suspension Seats) (RH)	1
34	4011395	Gas Spring (Lift and Latch) (LH, W/Cab)	1
35	1563369	Ball Stud (w/o Cab)	4
35	1563369	Ball Stud (w/ Cab)(RH)	2
35	4011397	Ball Stud (w/ Cab)(LH)	2
36	329069	Nut (W/Cab)	2
36	1586430	Nut (w/o Cab)	2
37	4009730	Blanket (Without Sound Liner)	1
37	4009734	Blanket (With Sound Liner)	1
38	1613246	Crossmember	1
39	1530243	Insert	4

FENDER EXTENSIONS (FIGURE 1-2)

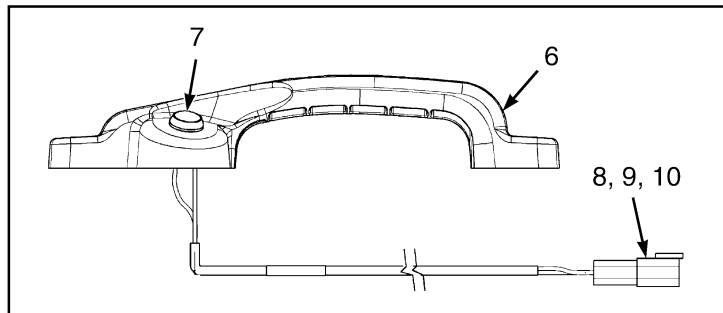
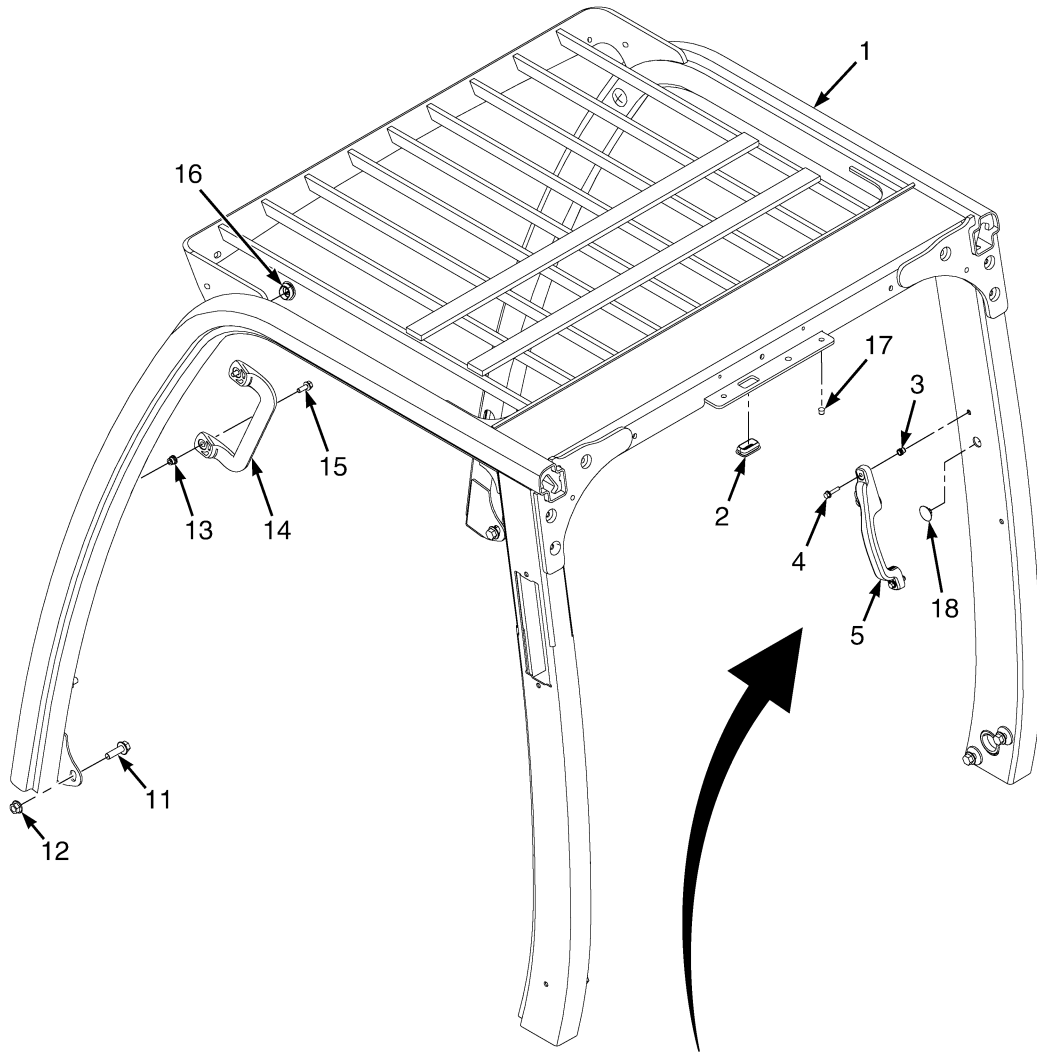


BP120851

FENDER EXTENSIONS**KEY:****A: H4.0FT5, H4.0FT6, H4.5FTS5****B: H4.5FT6, H5.0FT, H5.5FT****C: H4.0FT5, H4.0FT6, H4.5FTS5, H4.5FT6, H5.0FT, H5.5FT, (Heavy Duty Standard Tread)**

ITEM	PART NO.	DESCRIPTION	QTY		
			A	B	C
1	1578570	Fender (Wide Tread) (LH)	1
1	1578571	Fender (Wide Tread) (LH)	1	1
2	1578574	Fender (Wide Tread) (RH)	1
2	1578575	Fender (Wide Tread) (RH)	1	1
3	2076289	Capscrew	2	2	2
4	1586432	Nut	10	10	10
5	1613433	Capscrew	4	4	4
6	1613434	Capscrew	4	4	4
7	1578573	Fender (Dual Tread) (LH)	1	..
7	1578572	Fender (Dual Tread) (LH)	1
8	1578576	Fender (Dual Tread) (RH)	1
8	1578577	Fender (Dual Tread) (RH)	1	..

OVERHEAD GUARD (FIGURE 1-3)

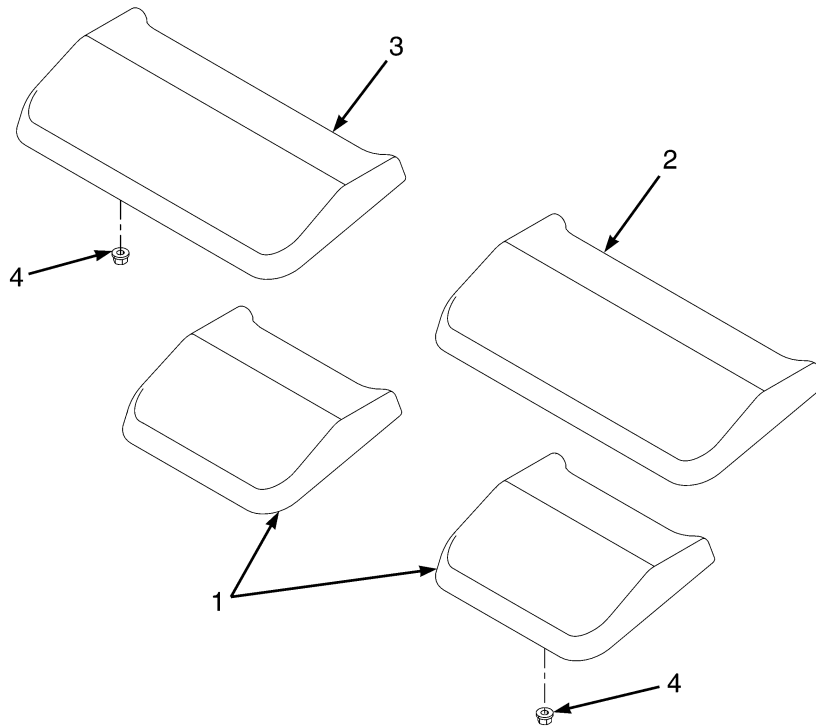


BP120882

OVERHEAD GUARD**KEY:****A: Without Optional Rear Handle****B: With Optional Rear Handle**

ITEM	PART NO.	DESCRIPTION	QTY	
			A	B
1	4055755	Overhead Guard (High)	1	1
1	4055754	Overhead Guard (Low)	1	1
2	1560671	Grommet	1	1
3	1531558	Insert	2
4	1586495	Capscrew	2
5	2070223	Handle (Assembly) (☞ Figure 14-1).....	..	1
6	2069454	Handle	1
7	1566726	Push Button Switch	1
8	1493465	Connector (2 Pin)	1
9	1330414	Connector (Secondary Lock)	1
10	1330437	Terminal (Pin)	1
11	1566853	Capscrew	8	8
12	1528888	Nut (Shoulder)	2	2
13	1531557	Insert	4	4
14	1536813	Handle (Grab)	1	1
15	1583611	Capscrew	2	2
16	1558219	Grommet	2	2
17	1494888	Plug	6	6
18	1599415	Plug	1	1

MUD GUARDS (FIGURE 1-4)



BP120221

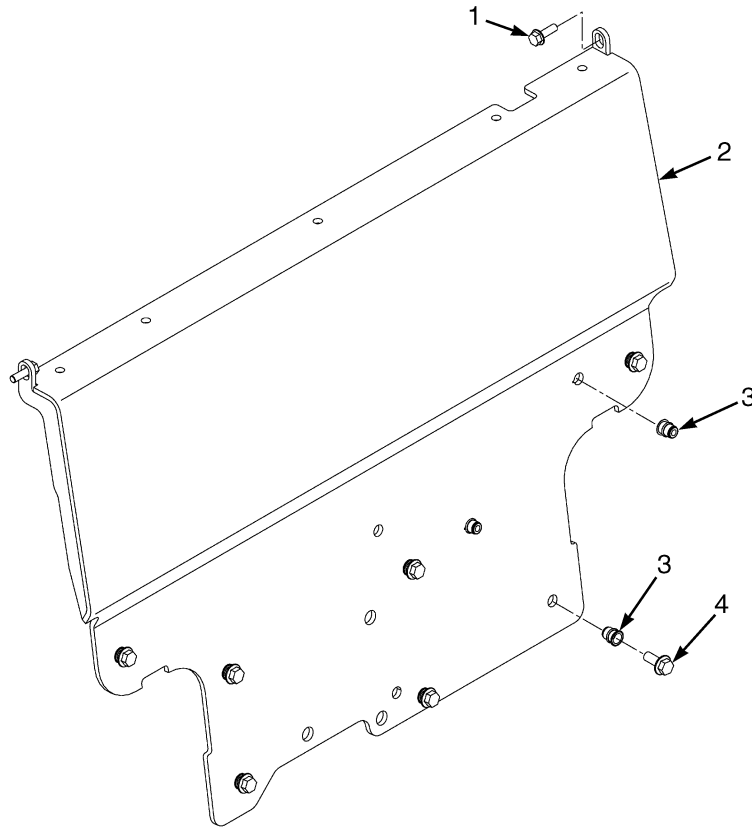
- KEY:**
A: Standard Tread
B: Wide Tread
C: Dual Tread

ITEM	PART NO.	DESCRIPTION	QTY		
			A	B	C
1	b 2071647	Mud Flap	2
2	a 2074436	Mud Flap (LH)	1	..
2	c 2074437	Mud Flap (LH)	1	..
2	a 2074438	Mud Flap (LH)	1
2	c 2074439	Mud Flap (LH)	1
3	a 2074440	Mud Flap (RH)	1	..
3	c 2074441	Mud Flap (RH)	1	..
3	a 2074442	Mud Flap (RH)	1
3	c 2074443	Mud Flap (RH)	1
4	a 1544153	Locknut	4	4	..
4	b 1544153	Locknut	6	6

FOOTNOTES:

- | | | | |
|----------|---|----------|-------------------------|
| a | H4.0FT5, H4.0FT6, H4.5FTS5 | c | H4.5FT6, H5.0FT, H5.5FT |
| b | H4.0FT5, H4.0FT6, H4.5FTS5, H4.5FT6, H5.0FT, H5.5FT | | |

COWL MOUNT (FIGURE 1-5)



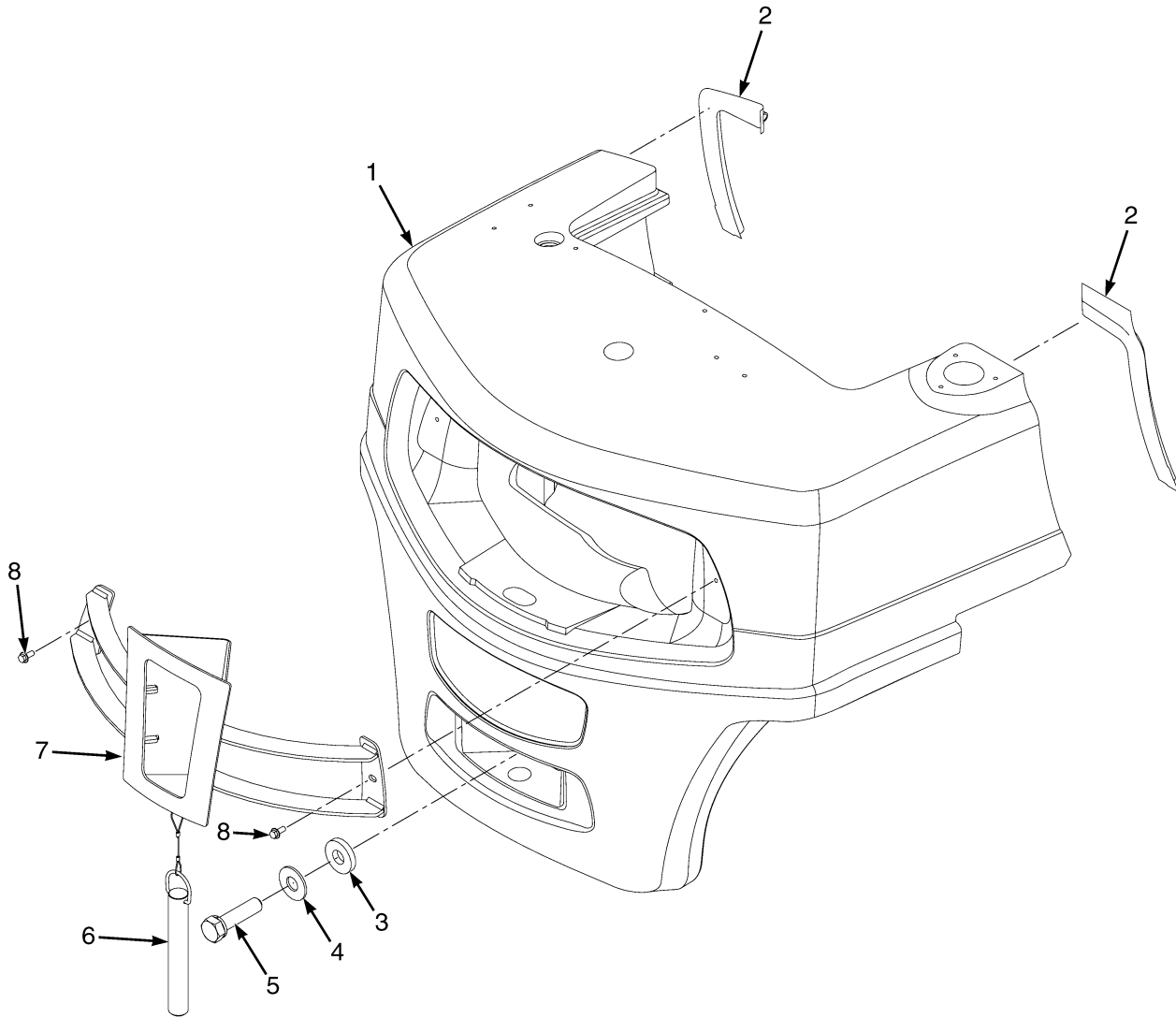
BP120849

ITEM	PART NO.	DESCRIPTION	QTY
1	1583611	Capscrew	2
1	1510113	Capscrew (Optional)	2
2	4074599	Cowl	1
3	1640776	Insert	7
3	a 1581567	Nut (Optional)	7
3	a 320160	Washer (Optional)	7
4	1586629	Capscrew	7

FOOTNOTES:

a Not Illustrated

COUNTERWEIGHT (FIGURE 1-6)



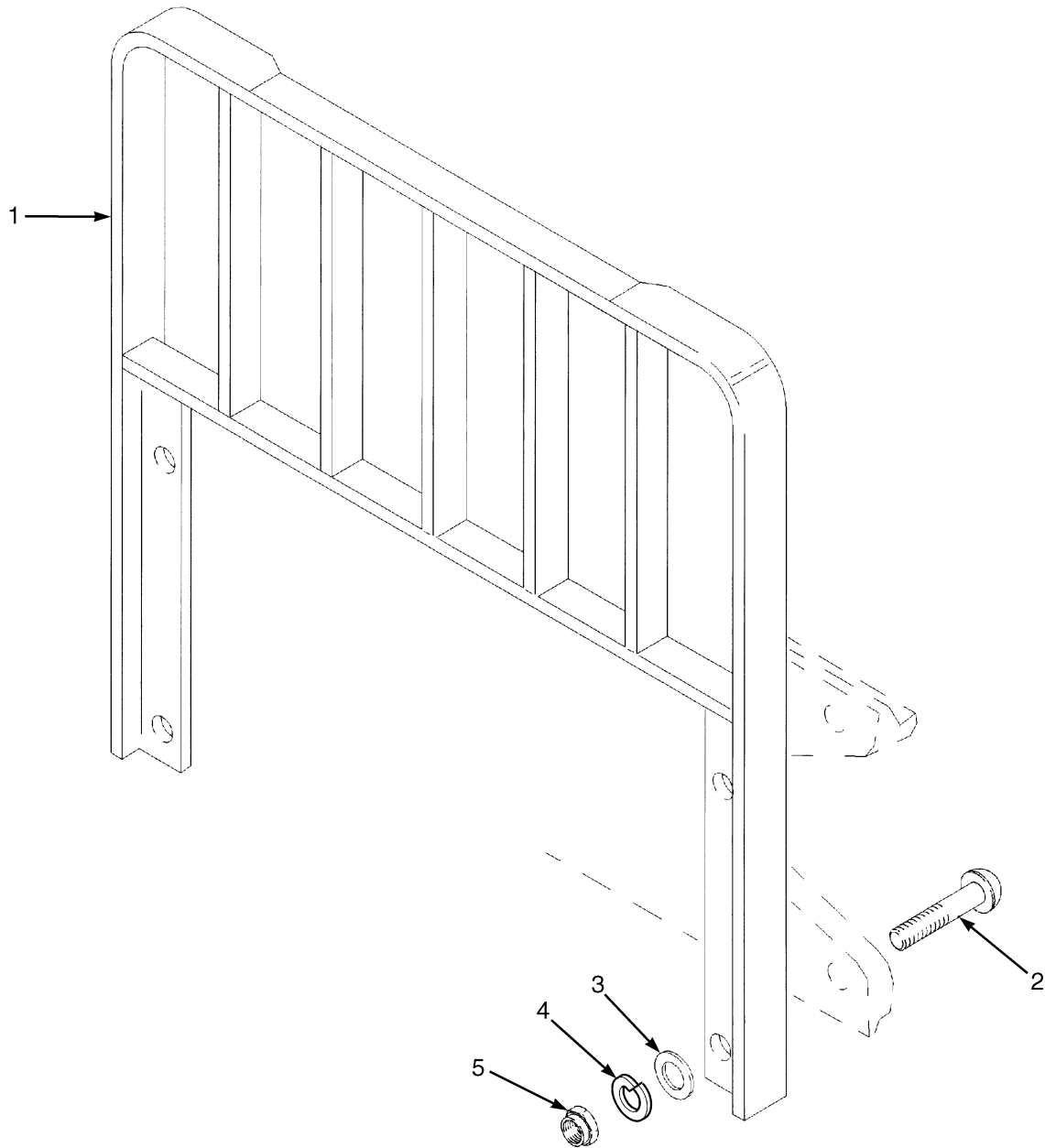
HP121447

COUNTERWEIGHT

ITEM	PART NO.	DESCRIPTION	QTY
1	4051593	Counterweight (H4.0FT5)	1
1	4051597	Counterweight (H4.0FT6)	1
1	4051594	Counterweight (H4.5FTS5)	1
1	4051595	Counterweight (H4.5FT6)	1
1	4051598	Counterweight (H5.0FT)	1
1	4051596	Counterweight (H5.5FT)	1
2	1603681	Seal	2
3	1571610	Washer	1
4	a 292691	Washer	1
5	a 292627	Capscrew	1
5	b 292626	Capscrew	1
6	1668335	Tow Pin	1
7	4087688	Cover	1
8	1586013	Capscrew	2

FOOTNOTES:**a** → 4/2014**b** 4/2014 →

LOAD BACK REST EXTENSION (FIGURE 1-7)

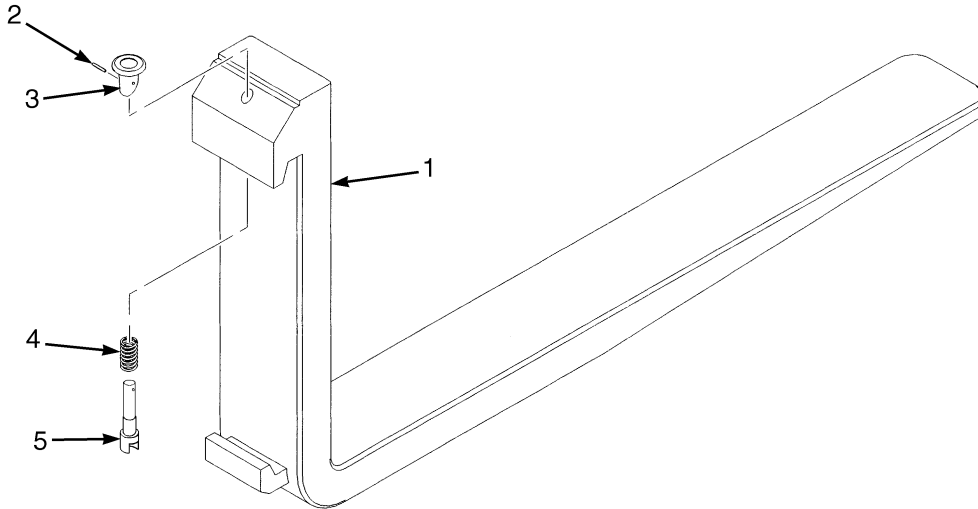


HP120836

LOAD BACK REST EXTENSION

ITEM	PART NO.	DESCRIPTION	QTY
1	1387341	Load Backrest (1219 mm) (Class III)	1
1	1387345	Load Backrest (1524 mm) (Class III)	1
1	1387349	Load Backrest (1524 mm) (Class IV)	1
1	1387904	Load Backrest (1372 mm) (Class IV)	1
1	1387348	Load Backrest (1219 mm) (Class (IV))	1
2	1387330	Capscrew	4
3	221771	Washer	4
3	296423	Washer (Optional)	4
4	292683	Lockwasher	4
5	292656	Nut	4

FORKS (FIGURE 1-8) CLASS III AND IV STANDARD TAPER



BP000187

KEY:

- A:** Class III 120 mm x 50 mm
- B:** Class III 150 mm x 50 mm
- C:** Class IV 150 mm x 50 mm
- D:** Class IV 150 mm x 60 mm

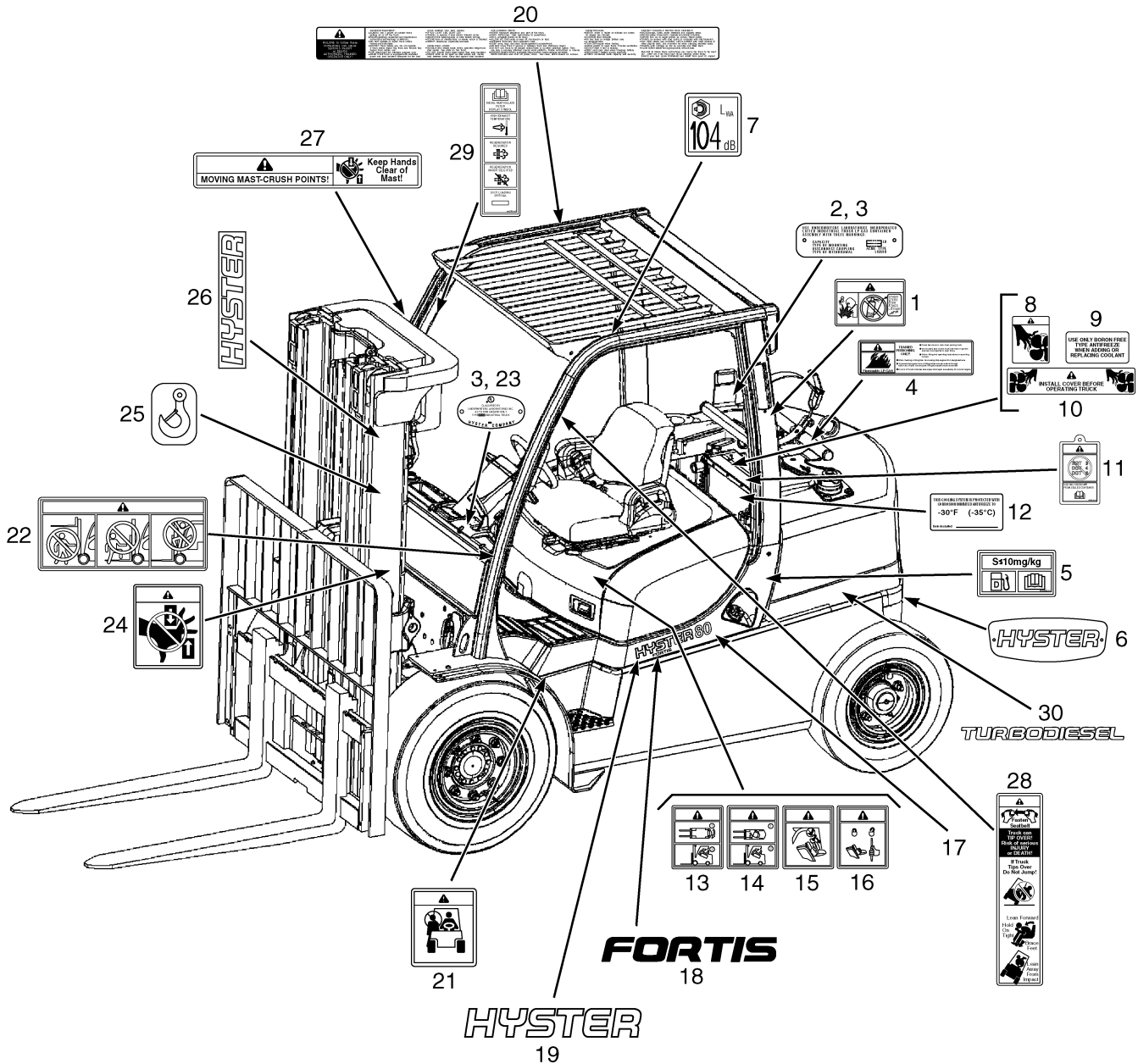
ITEM	PART NO.	DESCRIPTION	QTY			
			A	B	C	D
1	1385801	Fork (1000 mm)	2
1	1385802	Fork (1100 mm)	2
1	1385803	Fork (1200 mm)	2
1	1385804	Fork (1400 mm)	2
1	1519439	Fork (1200 mm)	2
1	1519440	Fork (1300 mm)	2
1	1519442	Fork (1500 mm)	2
1	1479090	Fork (1800 mm)	2
1	1519444	Fork (1200 mm)	2	..
1	1479132	Fork (1300 mm)	2	..
1	1479133	Fork (1500 mm)	2	..
1	1479134	Fork (1800 mm)	2	..
1	1362229	Fork (1200 mm)	2
1	1362231	Fork (1300 mm)	2
1	1362233	Fork (1500 mm)	2
1	1362235	Fork (1800 mm)	2
2	1523734	Pin	1	1	1	1
3	1523732	Knob	1	1	1	1
4	1500784	Spring	1	1
4	1500786	Spring	1	1
5	1523737	Pin	1	1

KEY:

- A: Class III 120 mm x 50 mm**
B: Class III 150 mm x 50 mm
C: Class IV 150 mm x 50 mm
D: Class IV 150 mm x 60 mm

ITEM	PART NO.	DESCRIPTION	QTY			
			A	B	C	D
5	1523741	Pin	1	1
	4032862	Kit (Class III)	1	1
	1523742	Kit-Latch (Class IV)	1	1

LABELS (FIGURE 1-9) EXTERIOR



HP121461

**LABELS
EXTERIOR**

ITEM	PART NO.	DESCRIPTION	QTY
1	b 2034460	Label (Ether Warning)	1
2	1501259	Nameplate (LP Tank)	1
3	170658	Rivet	4
3	2308673	Rivet (Optional)	4
3	1365922	Gripnail	4
4	1354172	Label (Flammable LPG)	1
5	b 2074256	Label (Fuel Fill)	1
5	b 4613963	Label (Low or Ultra Low Sulfur Fuel Only)	1
6	1677428	Label (Hyster Logo)	1
7	1503878	Label (Noise Level) (104 dba)	1
7	1503879	Label (Low Noise) (105 dba)	1
8	1300094	Label (Fan Warning)	2
9	1354165	Label (Antifreeze)	2
10	1345926	Label (Fan Warning)	1
11	2093225	Label (Brake System Fluid Tag)	1
12	1375676	Label (Boron-Free Antifreeze)	1
13	d 2075614	Label (Hood Opening Warning)	1
14	c 2076171	Label (Swivel Seat Caution)	1
15	2074740	Label (Joystick Caution)	1
15	2082680	Label (Electronic Arm Caution) (Mini Levers)	1
16	2075417	Label (Locking Gas Spring)	1
17	1594807	Label (Model 4.0)	2
17	1628690	Label (Model 4.5)	2
17	1594808	Label (Model 5.0)	2
17	1594809	Label (Model 5.5)	2
18	1601748	Label (Fortens)	2
19	1586440	Label (Hyster)	2
20	2073198	Label (Operator Warning)	1
21	1339828	Label (No Riders)	2
22	2075655	Label (Mast Warning)	2
23	a	Inspection Plate	1
24	1339832	Label (Pinch Point)	2
25	316448	Label (Lifting Eye)	3
26	1562353	Label (Hyster)	2
27	1343276	Label (Mast Warning)	1
28	1359588	Label (Operator Restraint)	2
29	b 4616658	Label (Diesel Particulate Filter)	1
30	b 1689504	Label (Turbo Diesel)	1

FOOTNOTES:

a Contact Your Local Hyster Dealer
b Diesel Only

c For Vehicles With Swivel Seat Only
d LPG Only

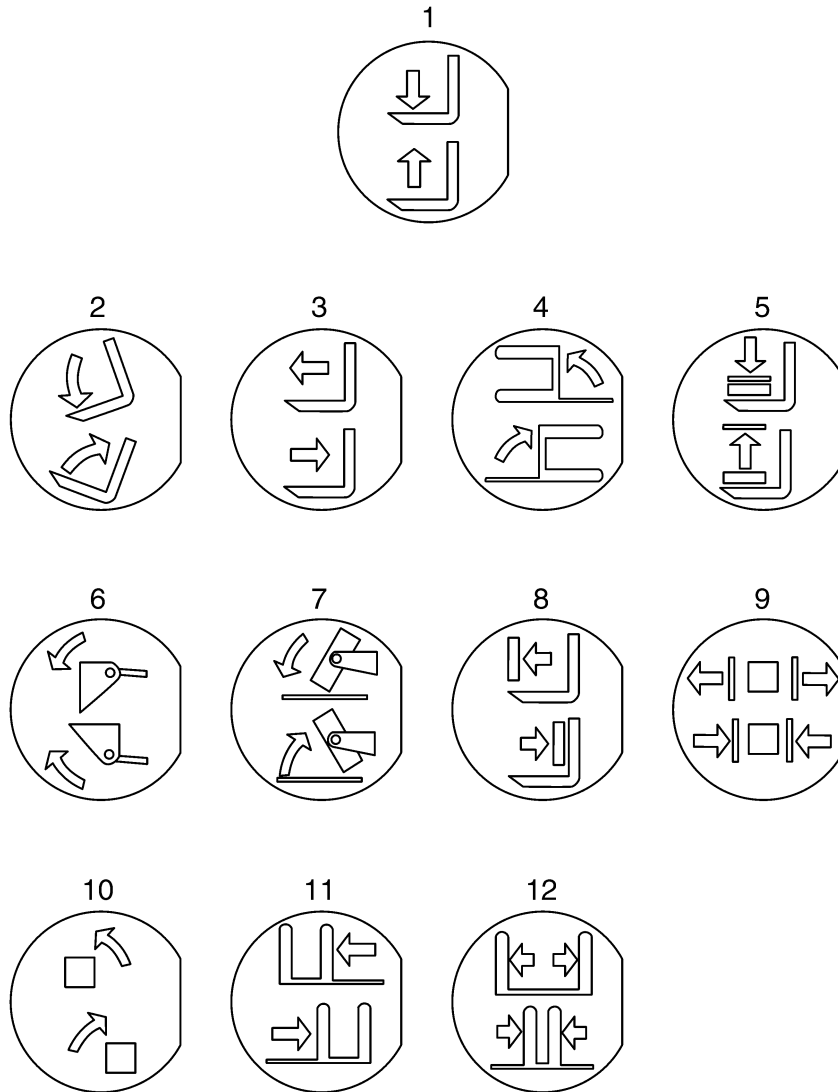
**LABELS
INTERIOR**

ITEM	PART NO.	DESCRIPTION	QTY
1	b	Nameplate	1
1	170658	Rivet	4
1	2307400	Rivet (Optional)	4
2	389688	Nameplate Cover	1
3	2038100	Label (Drive Train Protection)	1
4	a 1589377	Label (Basic Powershift Transmission)	1
4	4052059	Label (Basic Powershift 2 Transmission)	1
5	c 1589397	Label (DuraMatch Transmission)	1
6	1589437	Label (DuraMatch Plus2 Transmission)	1
	d 1627200	Label (DuraMatch 2 Transmission)	1
7	1534660	Label (Patents and Trademarks)	1
8	4612321	Label (Radial Tire Warning)	1
9	2074210	Label (Park Brake Warning)	1

FOOTNOTES:

- | | | | |
|----------|----------------------------------|----------|-----------------------|
| a | Basic Transmission | c | Electric Transmission |
| b | Contact Your Local Hyster Dealer | d | Not Illustrated |

LABELS (FIGURE 1-11) HYDRAULIC CONTROL LABELS — MANUAL HYDRAULIC



BP121111

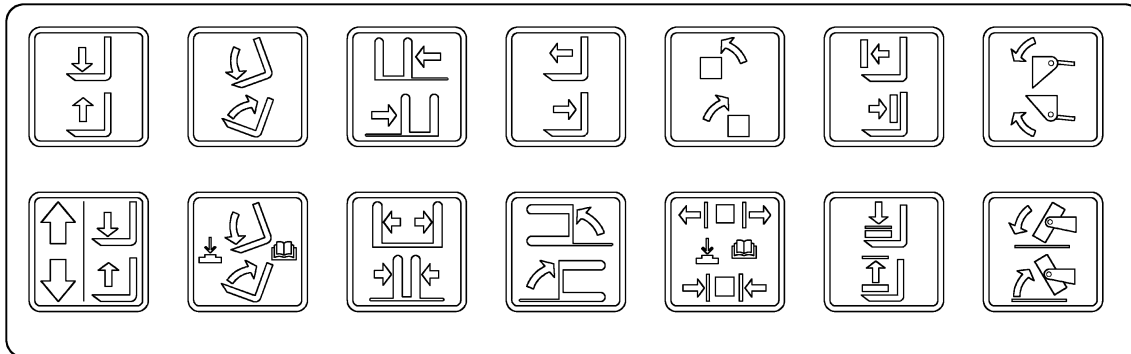
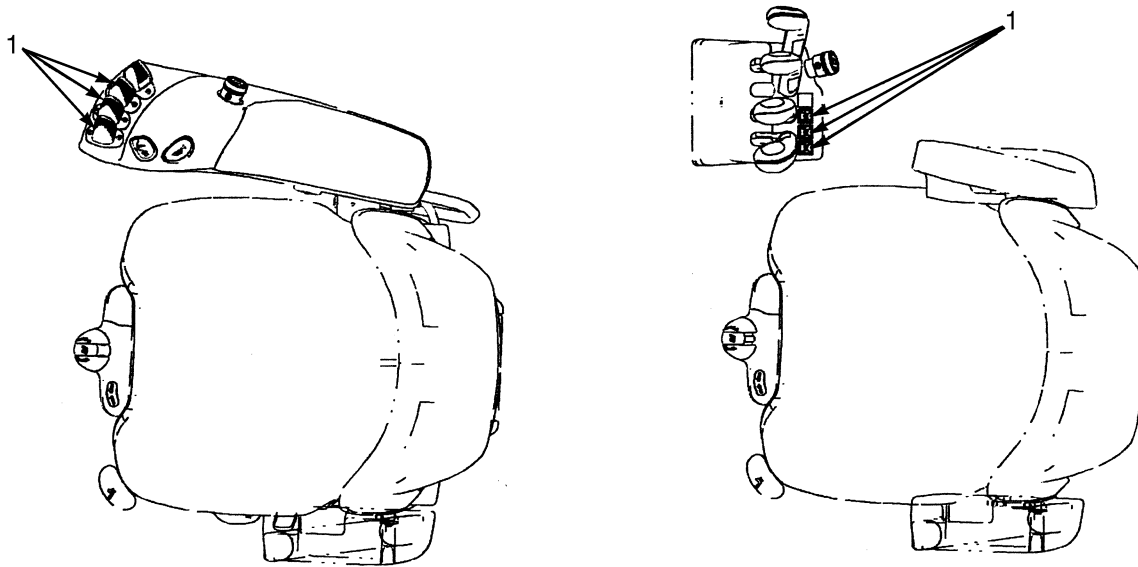
LABELS
HYDRAULIC CONTROL LABELS – MANUAL HYDRAULIC

ITEM	PART NO.	DESCRIPTION	QTY
1	4034931	Lens with label (Hoist)	1
2	4034932	Lens with label (Tilt)	1
3	4034933	Lens with label (Reach)	1
4	4034934	Lens with label (Swing)	1
5	4034935	Lens with label (Load Stabilizer)	1
6	4034936	Lens with label (Scoop)	1
7	4034937	Lens with label (Upender)	1
8	4034938	Lens with label	1
9	4034939	Lens with label (Clamp)	1
10	4034940	Lens with label (Rotate)	1
11	4034941	Lens with label (Side-Shift)	1
12	4034942	Lens with label (Fork Spread)	1
	a 2070655	Lens (Blank)	1

FOOTNOTES:

a Not Illustrated

MINI LEVER MODULE LABELS (FIGURE 1-12) HYDRAULIC CONTROL FUNCTIONS

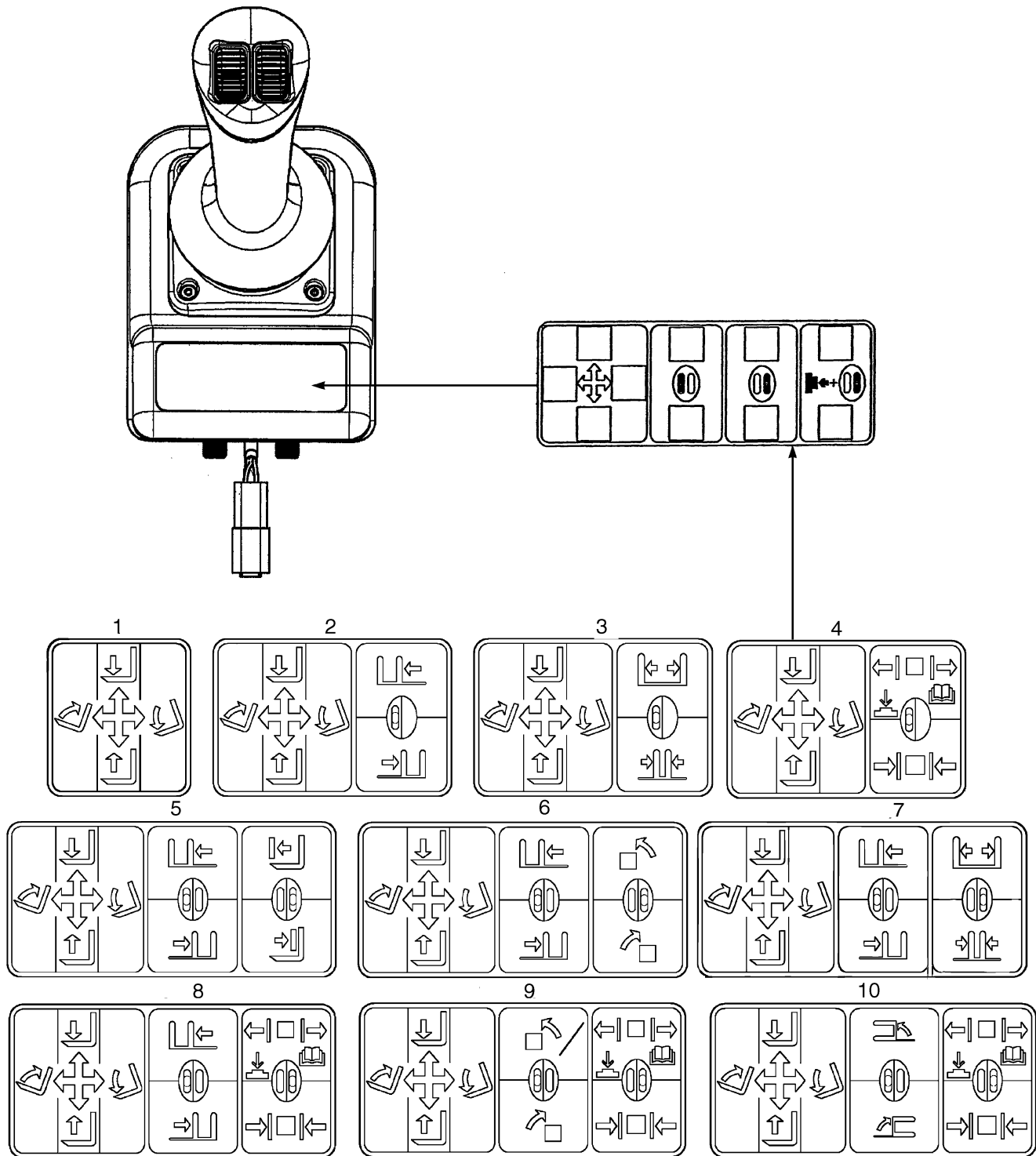


BP120427

**MINI LEVER MODULE LABELS
HYDRAULIC CONTROL FUNCTIONS**

ITEM	PART NO.	DESCRIPTION	QTY
1	2102640	Label	1

JOYSTICK CONTROL LABELS (FIGURE 1-13) (→ 4/2014)



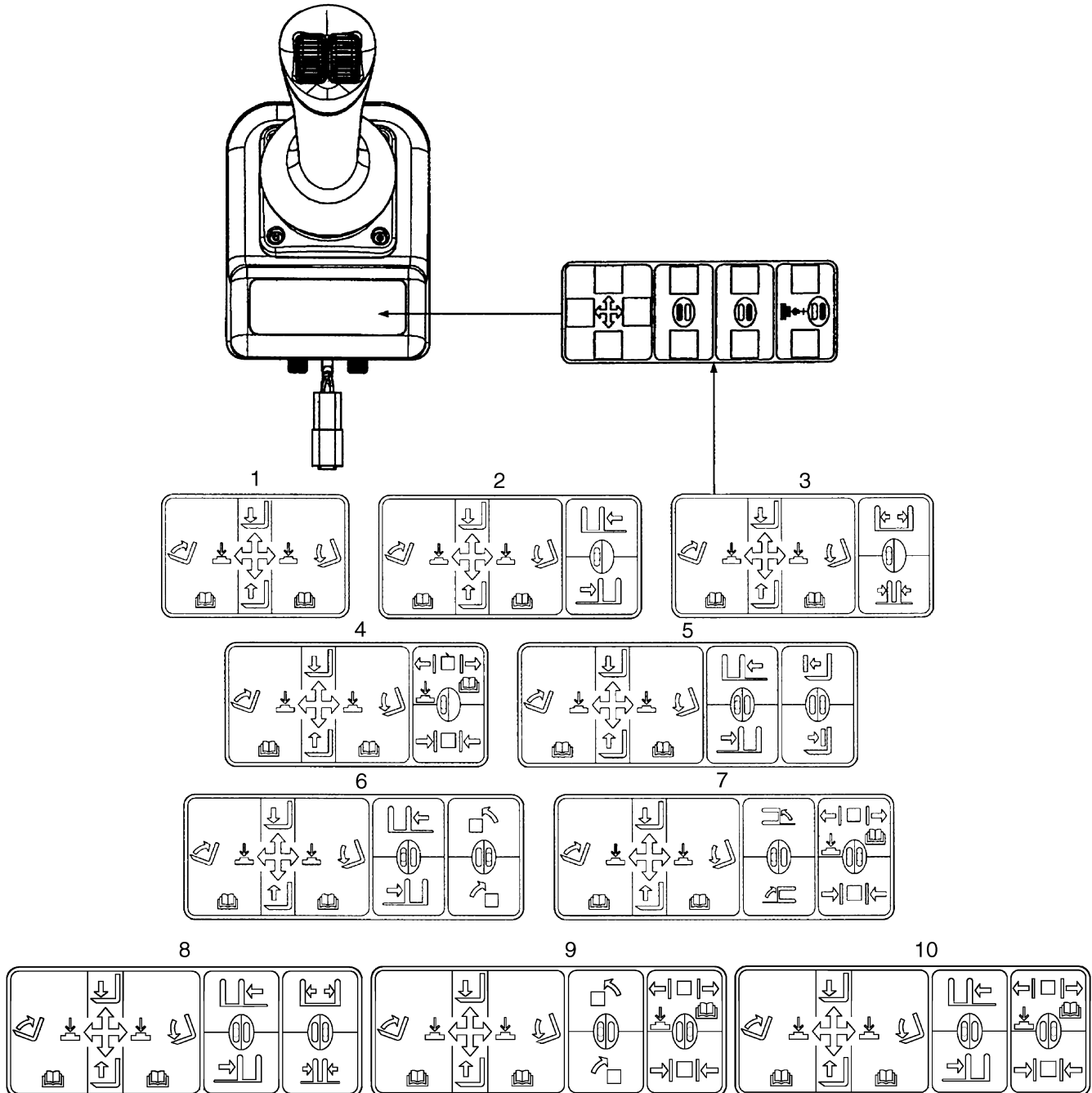
BP120197

JOYSTICK CONTROL LABELS

(→ 4/2014)

ITEM	PART NO.	DESCRIPTION	QTY
1	2086556	Label (Hoist and Tilt)	1
2	2086557	Label (Hoist and Tilt, Side-Shift)	1
3	2086558	Label (Hoist and Tilt, Fork Spread)	1
4	2085878	Label (Hoist and Tilt, Clamp)	1
5	2086560	Label (Hoist and Tilt, Side-Shift, Push/Pull)	1
6	2086561	Label (Hoist and Tilt, Side-Shift, Rotate)	1
7	2086559	Label (Hoist and Tilt, Side-Shift, Fork Spread)	1
8	2085879	Label (Hoist and Tilt, Side-Shift, Clamp)	1
9	2085880	Label (Hoist and Tilt, Rotate, Clamp)	1
10	2085881	Label (Hoist and Tilt, Swing, Clamp)	1

JOYSTICK CONTROL LABELS (FIGURE 1-14) WITH RETURN TO SET TILT (→ 4/2014)

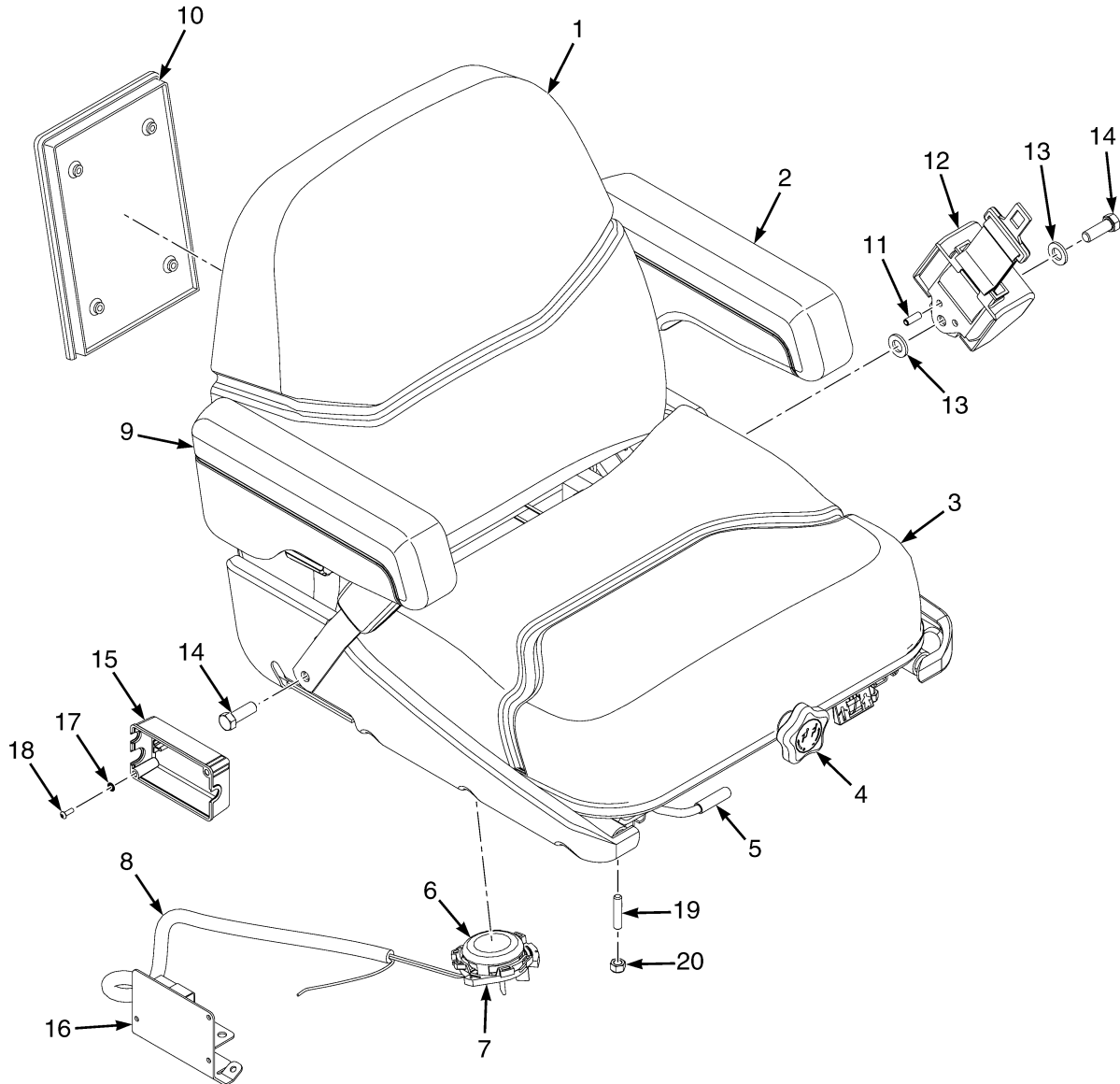


BP120198

**JOYSTICK CONTROL LABELS
WITH RETURN TO SET TILT (→ 4/2014)**

ITEM	PART NO.	DESCRIPTION	QTY
1	2085882	Label (Hoist and Tilt)	1
2	2085885	Label (Hoist and Tilt, Side-Shift)	1
3	2085886	Label (Hoist and Tilt, Fork Spread)	1
4	2085889	Label (Hoist and Tilt, Clamp)	1
5	2085888	Label (Hoist and Tilt, Side-Shift, Push/Pull)	1
6	2085891	Label (Hoist and Tilt, Side-Shift, Rotate)	1
7	2085893	Label (Hoist and Tilt, Swing, Clamp)	1
8	2085887	Label (Hoist and Tilt, Side-Shift, Fork Spread)	1
9	2085892	Label (Hoist and Tilt, Rotate, Clamp)	1
10	2085890	Label (Hoist and Tilt, Side-Shift, Clamp)	1

SEMI-SUSPENSION SEAT (FIGURE 1-15) WITHOUT ELECTRONIC CONTROLS



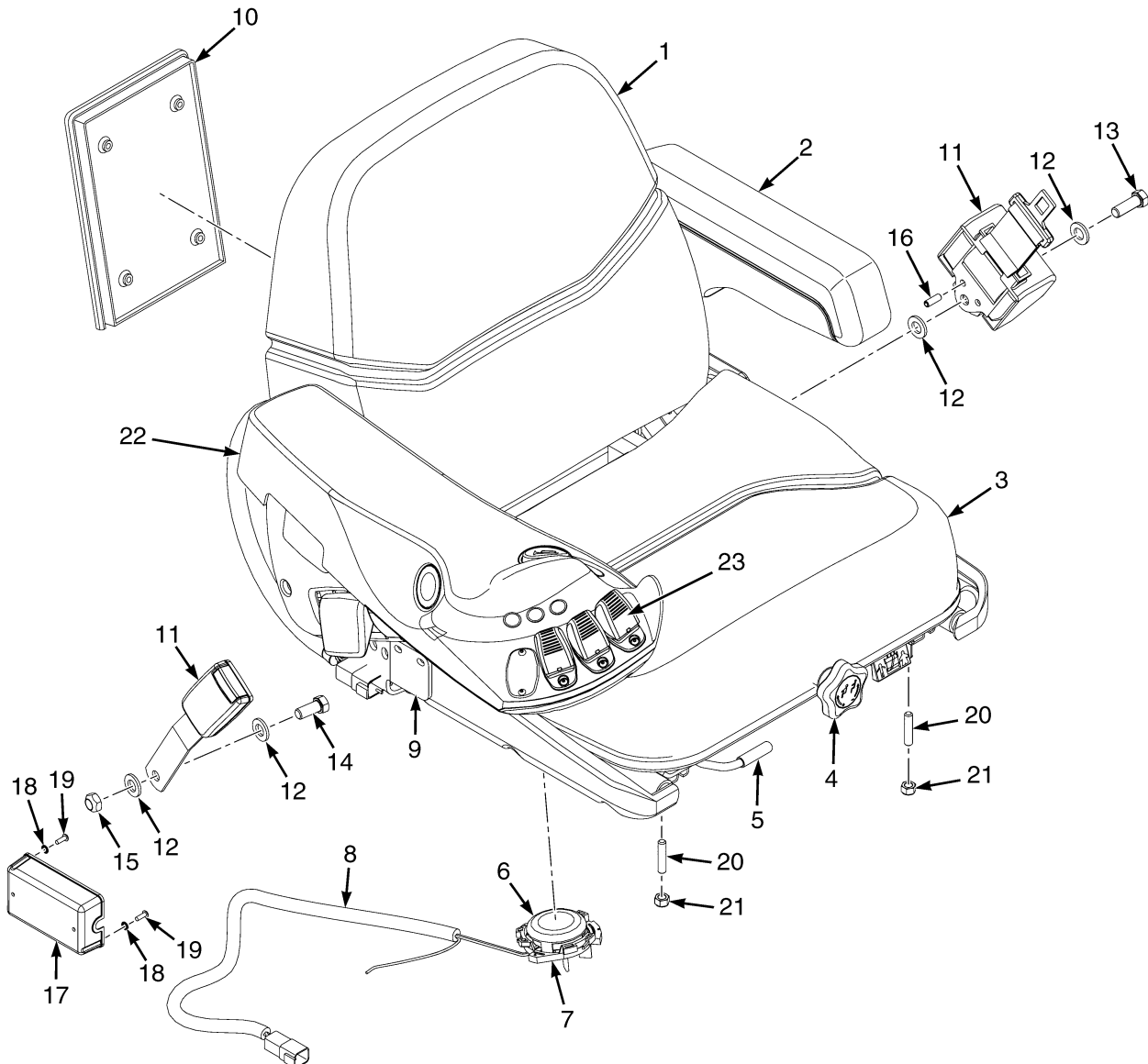
BP121108

**SEMI-SUSPENSION SEAT
WITHOUT ELECTRONIC CONTROLS**

ITEM	PART NO.	DESCRIPTION	QTY
	4009664	Seat-Semi Suspension (Vinyl)	1
1	1382111	Seat Cushion (Back Cushion) (Vinyl)	1
2	1453882	Armrest (LH)	1
3	1382112	Seat Cushion (Vinyl)	1
3	a 1362049	Kit-Shock Absorber	1
4	1563227	Knob	1
5	1690995	Kit-Seat Rail	1
6	1709876	Sensor (Operator Presence)	1
7	4002682	Bracket (Operator Presence Sensor)	1
8	4013095	Wire Harness	1
9	1453883	Armrest (RH)	1
10	1453887	Holder	1
11	19901	Roll Pin	1
12	1598504	Kit-Seat Belt (Black)	1
12	1636120	Kit-Red Seat Belt High Visibility without Interlock	1
12	4053079	Seat Belt (High Visibility with Interlock)	1
13	1581852	Washer	5
14	221533	Capscrew	1
15	2107969	Cover (Seat-Side Electrical)	1
16	4008420	Cover Plate	1
17	296357	Washer	2
18	1694830	Capscrew	2
19	1677286	Stud	4
20	313828	Nut	4

FOOTNOTES:**a** Not Illustrated

SEMI-SUSPENSION SEAT (FIGURE 1-16) WITH ELECTRONIC CONTROLS



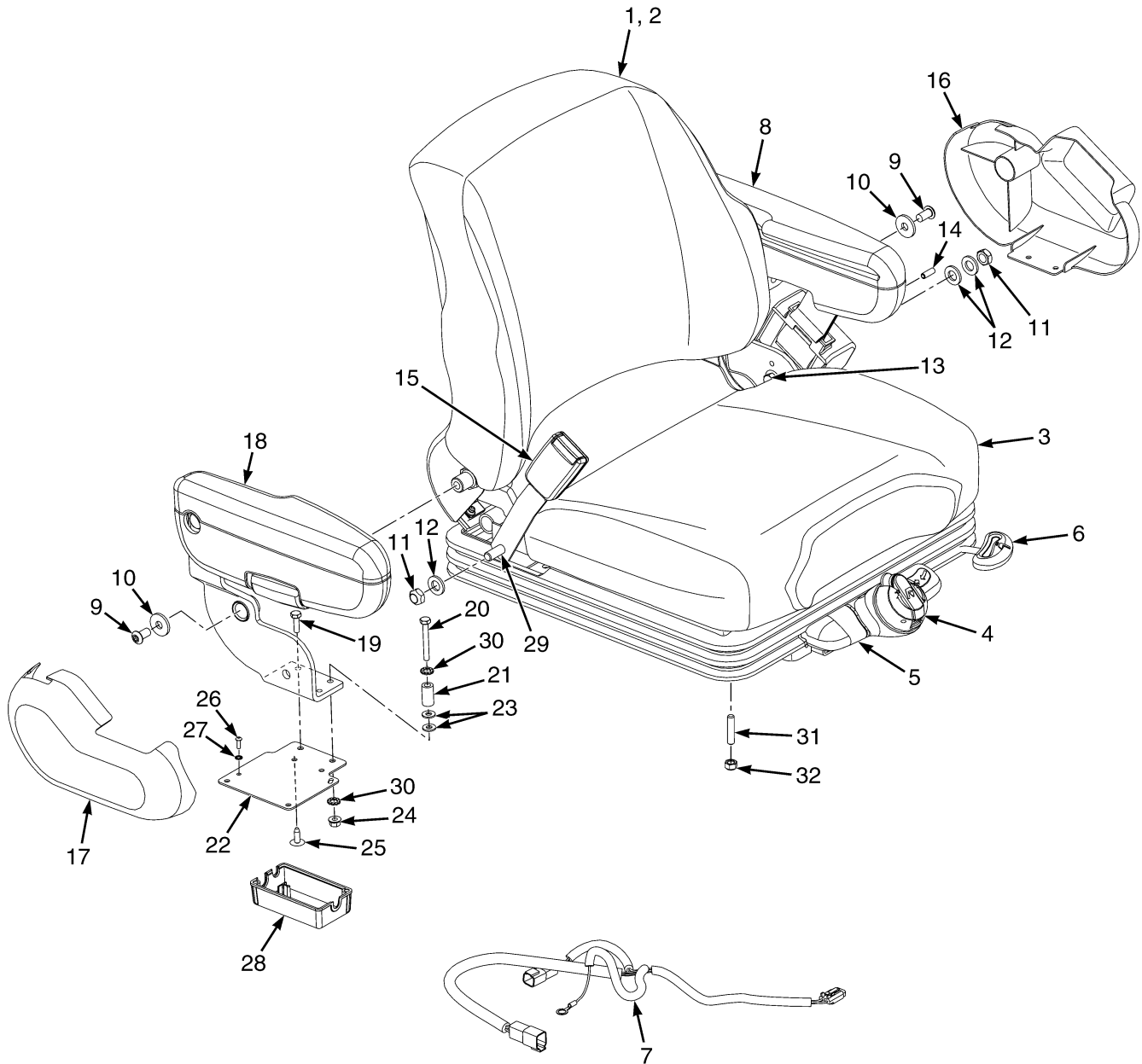
BP121109

**SEMI-SUSPENSION SEAT
WITH ELECTRONIC CONTROLS**

ITEM	PART NO.	DESCRIPTION	QTY
	4009667	Seat-Semi Suspension (Vinyl)	1
1	1382111	Seat Cushion (Back Cushion) (Vinyl)	1
2	1453882	Armrest (LH)	1
3	1382112	Seat Cushion (Vinyl)	1
3	a 1362049	Kit-Shock Absorber	1
4	1563227	Knob	1
5	1690995	Kit-Seat Rail	1
6	1709876	Sensor (Operator Presence)	1
7	4002682	Bracket (Operator Presence Sensor)	1
8	4013095	Wire Harness	1
9	4014598	Bracket (RH)	1
10	1453887	Holder	1
11	1598504	Kit-Seat Belt (Black)	1
11	1636120	Kit-Red Seat Belt High Visibility without Interlock	1
11	4053079	Seat Belt (High Visibility with Interlock)	1
12	1581852	Washer	5
13	221533	Capscrew	1
14	221530	Capscrew	1
15	221353	Locknut	1
16	19901	Roll Pin	1
17	2107969	Cover (Seat-Side Electrical)	1
18	296357	Washer	2
19	1694830	Capscrew	2
20	1677286	Stud	4
21	313828	Nut	4
22	4005010	Armrest (Slider for Mini Lever) (☞ Figure 1-25).....	1
22	a 4602207	Armrest (Joystick Slider Assembly)	1
23	Mini-Lever Control (☞ Figure 5-29, ☞ Figure 5-30).....	1
23	a	Joystick (☞ Figure 5-27).....	1

FOOTNOTES:**a** Not Illustrated

FULL SUSPENSION SEAT (FIGURE 1-17) MANUAL WITH SWIVEL AND NON-SWIVEL — SHEET 1 OF 4



BP121107

**FULL SUSPENSION SEAT
MANUAL WITH SWIVEL AND NON-SWIVEL – SHEET 1 OF 4**

ITEM	PART NO.	DESCRIPTION	QTY
	4603382	Seat-Full Suspension (Vinyl) (Non-Swivel)	1
	4603383	Seat-Full Suspension (Cloth) (Non-Swivel)	1
	4603384	Seat-Full Suspension (Vinyl) (Swivel)	1
	4603385	Seat-Full Suspension (Cloth) (Swivel)	1
1	1703900	Kit-Cushion (Seat and Back, Cloth)	1
1	1703903	Kit-Cushion (Seat and Back, Vinyl)	1
2	1703901	Kit-Cushion (Back Cushion, Vinyl)	1
2	1703898	Kit-Cushion (Back Cushion, Cloth)	1
2	Back Cushion	1
2	Screw	2
3	1703902	Kit-Seat Cushion (Vinyl)	1
3	1703899	Kit-Seat Cushion (Cloth)	1
3	Seat Cushion	1
3	Spring	2
3	Cotter Pin	2
4	1703892	Kit-Weight Adjuster (☞ Figure 1-18).....	1
5	1703893	Kit-Service (Front Panel) (Non Swivel)	1
5	1703894	Kit-Service (Front Panel) (With Swivel)	1
6	4043082	Kit-Seat Rail (Non Swivel)	1
6	1703904	Kit-Seat Rail (With Swivel)	1
6	Locking Rail	1
6	Slave Rail	1
6	Bolt	4
6	Nut	4
7	4013095	Wire Harness	1
7	1563208	Sensor (Operator Presence)	1
8	2099947	Armrest (Left-Hand Side)	1
8	1563230	Cushion (LH Armrest)	1
9	18735	Screw	1
10	1512536	Washer	1
11	221353	Locknut	2
12	1581852	Washer	3
13	221536	Capscrew	1
14	19901	Roll Pin	1
15	1598504	Kit-Seat Belt (Black)	1
15	1636120	Kit-Red Seat Belt High Visibility without Interlock	1
15	4053079	Seat Belt (High Visibility with Interlock)	1
16	Cover	1
17	2099950	Seat Cover (Right-Hand Side)	1
18	2099949	Armrest (Right-Hand Side)	1
18	1563231	Cushion (RH Armrest)	1
19	18462	Capscrew	2
20	18471	Capscrew	2
21	4007318	Spacer	2
22	4004776	Cover Plate	1
23	15127	Washer	4
24	169874	Nut	4
25	1379945	Fastener	4
26	1694830	Capscrew	2
27	296357	Washer	2

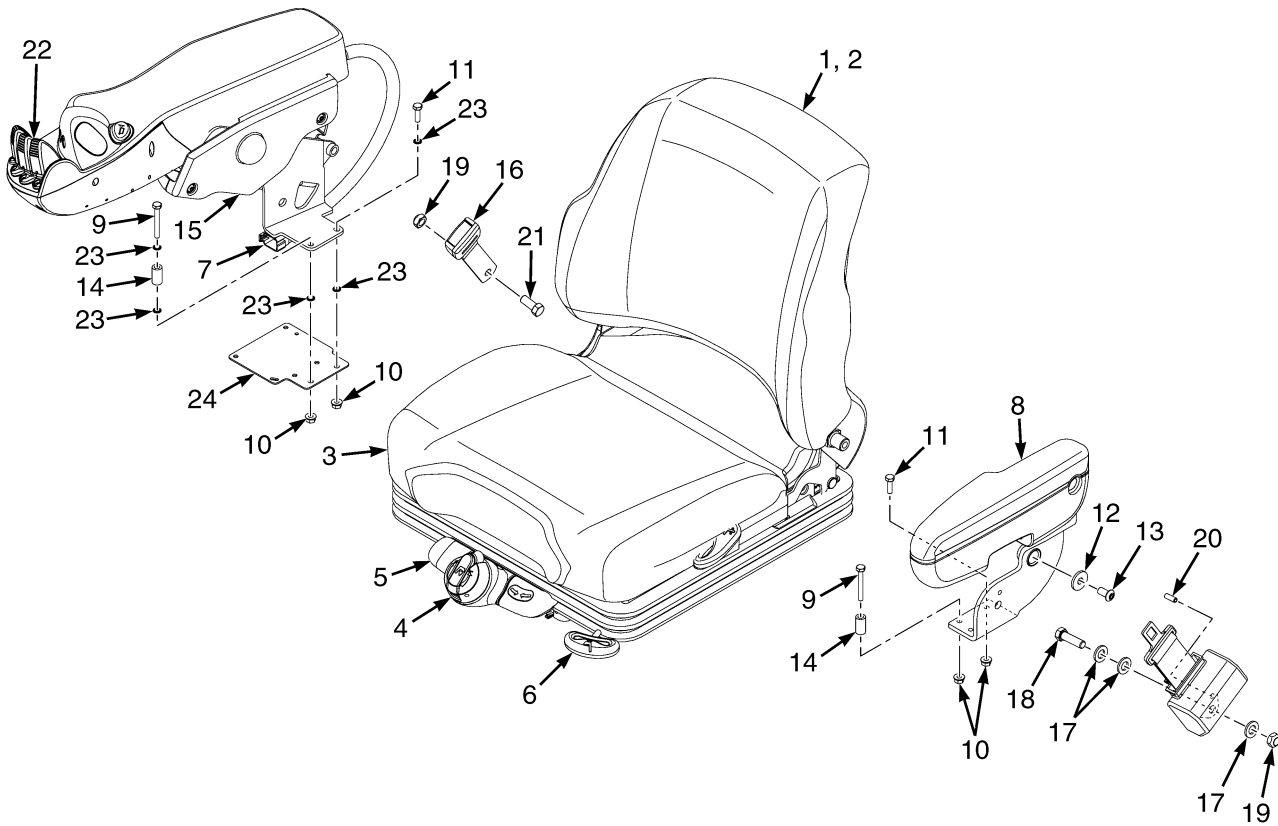
**FULL SUSPENSION SEAT
MANUAL WITH SWIVEL AND NON-SWIVEL – SHEET 1 OF 4**

ITEM	PART NO.	DESCRIPTION	QTY
28	2107969	Cover (Seat-Side Electrical)	1
29	221530	Capscrew	1
30	296379	Washer	2
31	1677286	Stud	4
32	313828	Nut	4
	a 114312	Strap Clamp	1
	a 1470155	Information Case (Kit)	1
	a 4027341	Bracket (Angle Controller)	1
	1703895	Kit-Service Internal Tether-80 MM Travel	1
	1703896	Kit-Service Internal Tether-56 MM Travel	1
	1703897	Kit-Service Internal Tether-40 MM Travel	1

FOOTNOTES:

a Not Illustrated

FULL SUSPENSION SEAT (FIGURE 1-18) ELECTRO-HYDRAULIC WITH SWIVEL AND NON-SWIVEL — SHEET 2 OF 4



BP121106

FULL SUSPENSION SEAT
ELECTRO-HYDRAULIC WITH SWIVEL AND NON-SWIVEL – SHEET 2 OF 4

ITEM	PART NO.	DESCRIPTION	QTY
	4603382	Seat-Full Suspension (Vinyl) (Non-Swivel)	1
	4603383	Seat-Full Suspension (Cloth) (Non-Swivel)	1
	4603384	Seat-Full Suspension (Vinyl) (Swivel)	1
	4603385	Seat-Full Suspension (Cloth) (Swivel)	1
1	1703900	Kit-Cushion (Seat and Back, Cloth)	1
1	1703903	Kit-Cushion (Seat and Back, Vinyl)	1
2	1703901	Kit-Cushion (Back Cushion, Vinyl)	1
2	1703898	Kit-Cushion (Back Cushion, Cloth)	1
2	Back Cushion	1
2	Screw	2
3	1703902	Kit-Seat Cushion (Vinyl)	1
3	1703899	Kit-Seat Cushion (Cloth)	1
3	Seat Cushion	1
3	Spring	2
3	Cotter Pin	2
4	1703892	Kit-Weight Adjuster	1
5	1703893	Kit-Service (Front Panel) (Non Swivel)	1
5	1703894	Kit-Service (Front Panel) (With Swivel)	1
6	4043082	Kit-Seat Rail (Non Swivel)	1
6	1703904	Kit-Seat Rail (With Swivel)	1
6	Locking Rail	1
6	Slave Rail	1
6	Bolt	4
6	Nut	4
7	4013095	Wire Harness	1
7	1563208	Sensor (Operator Presence)	1
8	2099947	Armrest (Left-Hand Side)	1
8	1563230	Cushion (LH Armrest)	1
9	18471	Capscrew	1
10	169874	Nut	1
11	18462	Capscrew	2
12	1512536	Washer	1
13	18735	Screw	1
14	4007318	Spacer (Frame)	1
15	4005010	Armrest (Slider for Mini Lever) (☞Figure 1-26).....	1
15	a 4602207	Armrest (Joystick Slider Assembly)	1
16	1636120	Kit-Red Seat Belt High Visibility without Interlock	1
16	1598504	Kit-Seat Belt (Black)	1
16	4053079	Seat Belt (High Visibility with Interlock)	1
17	1581852	Washer	3
18	221536	Capscrew	1
19	221353	Locknut	2
20	19901	Roll Pin	1
21	221530	Capscrew	1
22	Mini-Lever Module (☞Figure 5-29, ☞Figure 5-30).....	1
22	a	Joystick (☞Figure 5-27).....	1
23	296379	Washer	4
24	4004776	Cover Plate	1
	a 114312	Strap Clamp	1
	a 1470155	Information Case (Kit)	1

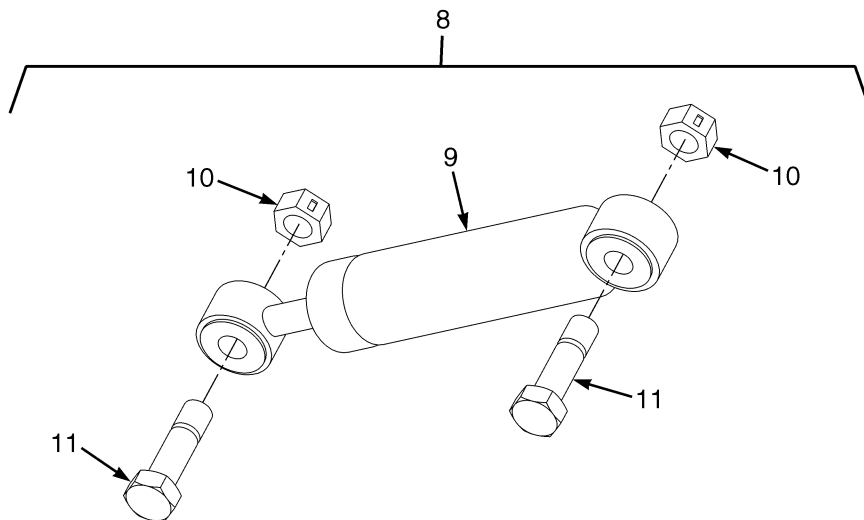
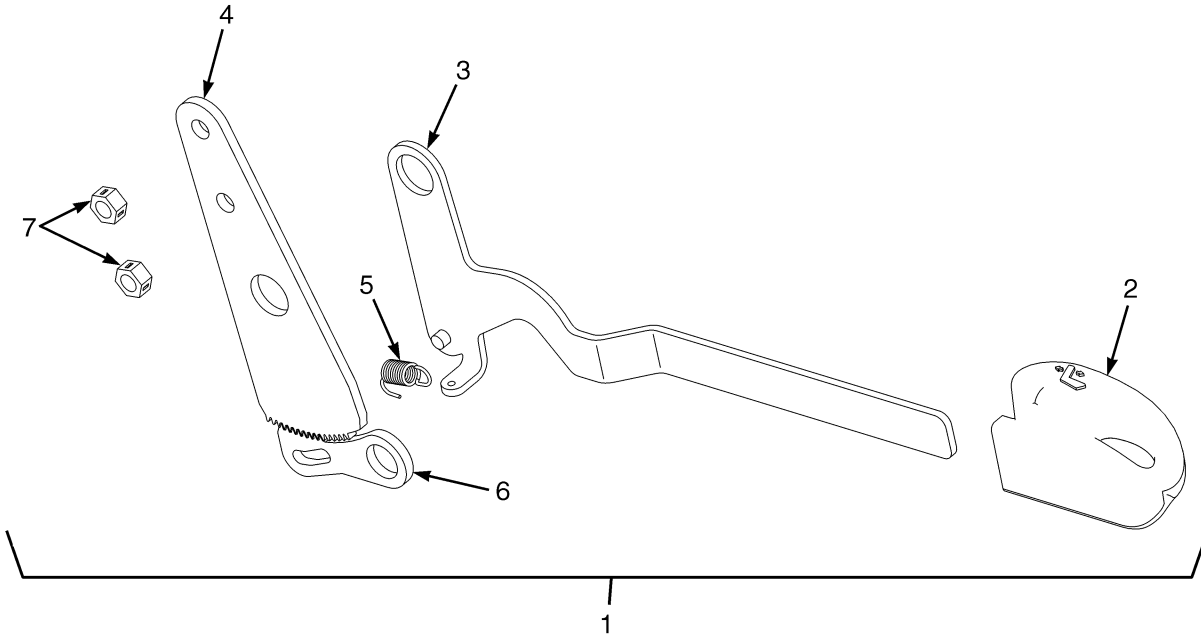
FULL SUSPENSION SEAT ELECTRO-HYDRAULIC WITH SWIVEL AND NON-SWIVEL – SHEET 2 OF 4

ITEM	PART NO.	DESCRIPTION	QTY
	a 4027341	Bracket (Angle Controller)	1
	1703895	Kit-Service Internal Tether-80 MM Travel	1
	1703896	Kit-Service Internal Tether-56 MM Travel	1
	1703897	Kit-Service Internal Tether-40 MM Travel	1

FOOTNOTES:

a Not Illustrated

FULL SUSPENSION SEAT (FIGURE 1-19) RECLINER AND DAMPER KITS — SHEET 3 OF 4

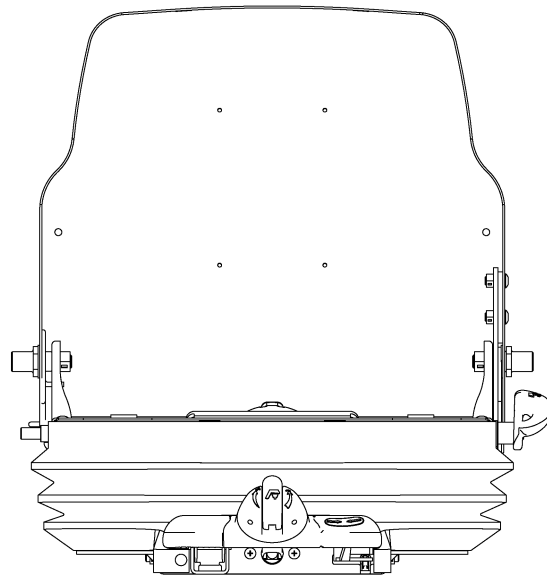
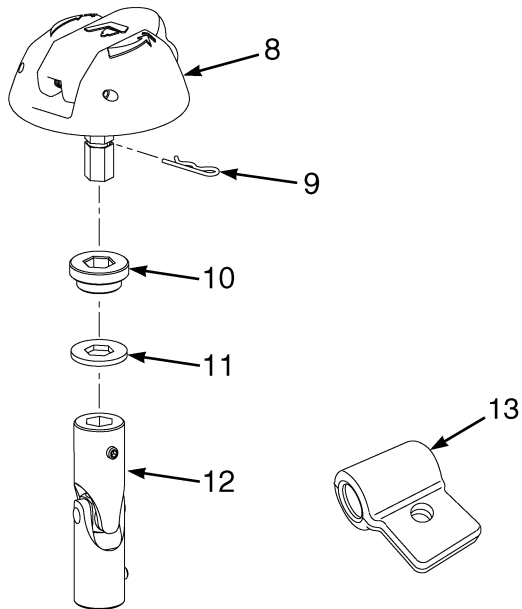
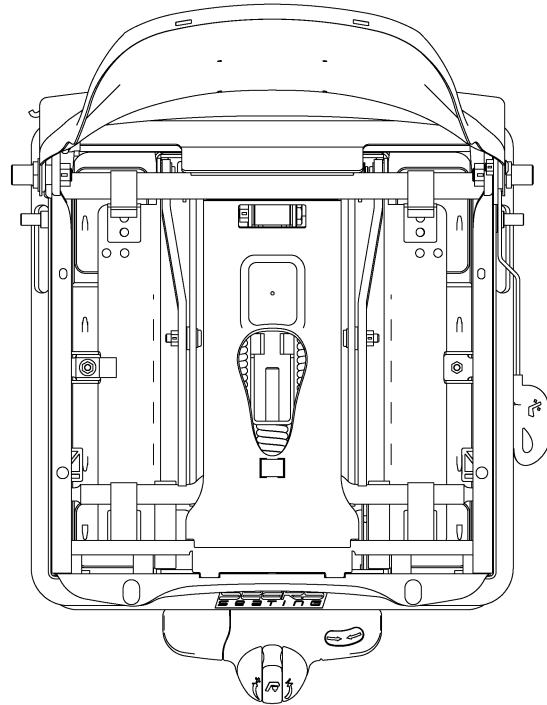
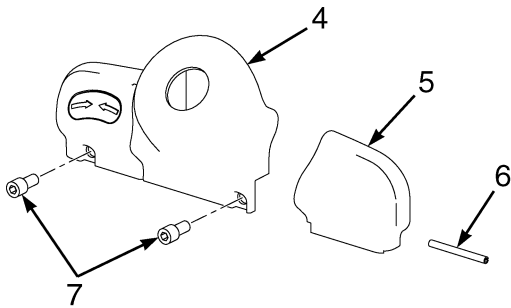
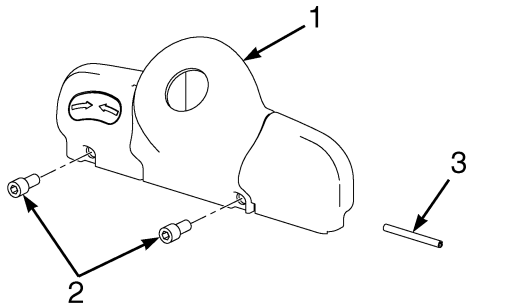


BP120646

**FULL SUSPENSION SEAT
RECLINER AND DAMPER KITS – SHEET 3 OF 4**

ITEM	PART NO.	DESCRIPTION	QTY
1	1703891	Kit-Recliner (Back Seat Adjustment)	1
2	Knob	1
3	Lever	1
4	1482905	Plate	1
5	Spring	1
6	1482906	Latch	1
7	1367150	Nut	2
8	1703890	Kit-Damper Service	1
9	1584632	Damper	1
10	1367150	Nut	2
11	1584638	Bolt	2

FULL SUSPENSION SEAT (FIGURE 1-20) SERVICE KITS FOR NON SWIVEL AND SWIVEL — SHEET 4 OF 4

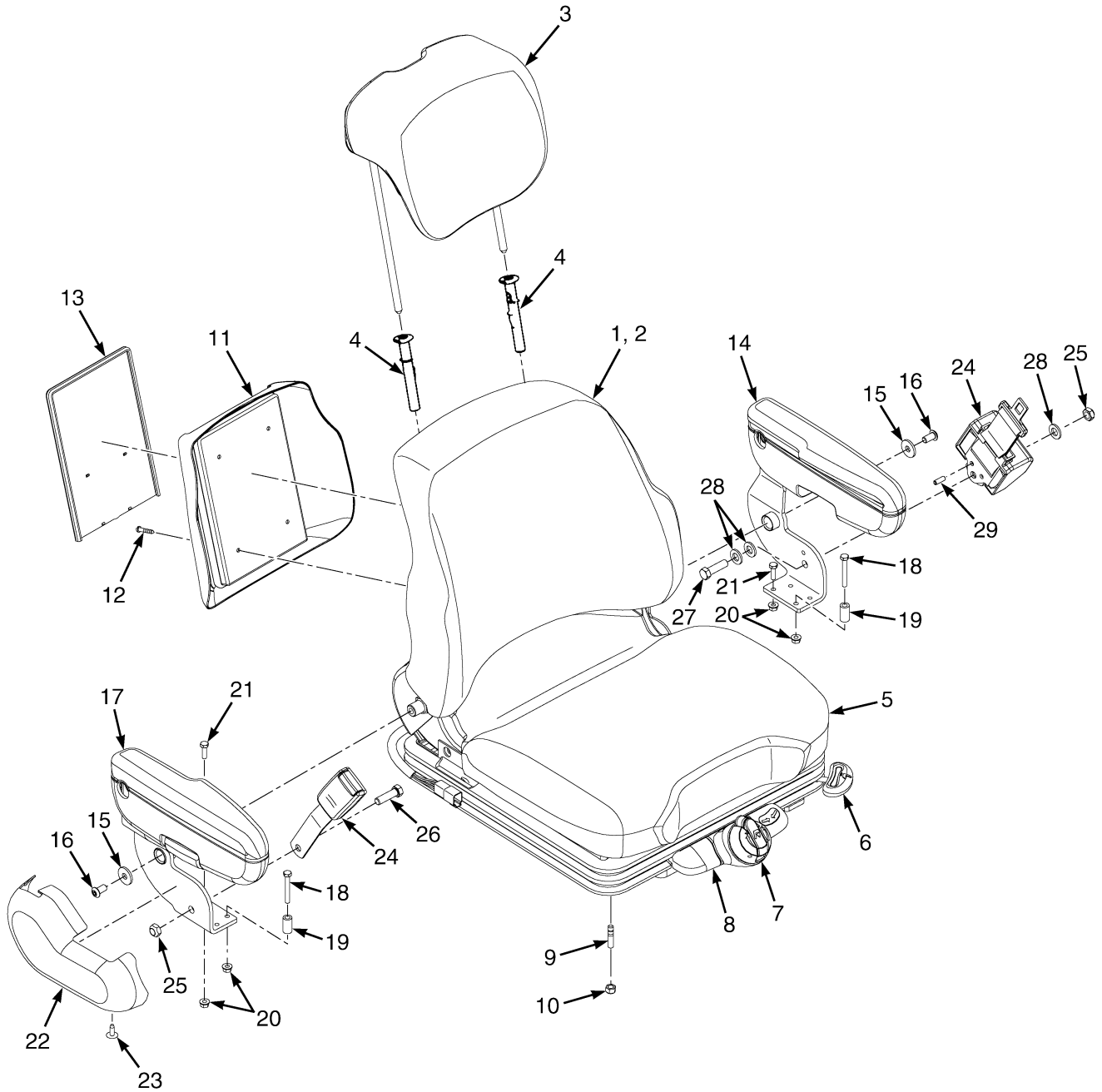


BP121221

**FULL SUSPENSION SEAT
SERVICE KITS FOR NON SWIVEL AND SWIVEL – SHEET 4 OF 4**

ITEM	PART NO.	DESCRIPTION	QTY
	4036586	Kit -Seat Suspension without Swivel	1
	4036587	Kit -Seat Suspension with Swivel	1
1	1703893	Kit-Service (Front Panel) (Non Swivel)	1
1	Front Panel	1
2	Capscrew	2
3	Roll Pin	1
4	1703894	Kit-Service (Front Panel) (With Swivel)	1
4	Front Panel	1
5	Swivel Knob	1
6	Roll Pin	1
7	Capscrew	2
8	1703892	Kit-Weight Adjuster	1
8	Knob	1
9	Cotter Pin	1
10	Bushing	1
11	Washer	1
12	U-Joint	1
13	4046492	Lever Spring Pull	2

SEAT (FIGURE 1-21) FULL SUSPENSION, HIGH BACK WITH LUMBAR ADJUSTMENT — SHEET 1 OF 2



BP120939

SEAT
FULL SUSPENSION, HIGH BACK WITH LUMBAR ADJUSTMENT – SHEET 1 OF 2

ITEM	PART NO.	DESCRIPTION	QTY
	4614480	Seat-Full Suspension (Vinyl)	1
	4614481	Seat-Full Suspension (Cloth)	1
1	4016924	Kit-Cushion (Seat Back, Vinyl)	1
1	4016928	Kit-Cushion (Seat Back, Cloth)	1
2	Back Cushion	1
2	1584643	Screw	2
3	4016926	Cushion (Head Rest Vinyl)	1
3	4016930	Cushion (Head Rest Cloth)	1
4	1615149	Guide Assembly (Tubes)	2
5	1703903	Kit-Cushion (Seat and Back, Vinyl)	1
5	1703900	Kit-Cushion (Seat and Back, Cloth)	1
5	1703902	Kit-Seat Cushion (Vinyl)	1
5	1703899	Kit-Seat Cushion (Cloth)	1
5	Seat Cushion	1
5	1637285	Spring	2
5	1513089	Cotter Pin (Hair)	2
6	4043082	Kit-Seat Rail	1
6	Locking Rail	1
6	Slave Rail	1
6	Bolt	4
6	1367150	Nut	4
7	1703892	Kit-Weight Adjuster	1
7	Knob	1
7	Bushing	1
7	Washer	1
7	Pin	1
7	U-Joint	1
8	1703893	Kit-Service (Front Panel) (Non Swivel)	1
8	Front Panel	1
8	Socket Head Capscrew	2
8	Roll Pin	1
9	1677286	Stud	4
10	313828	Nut	4
11	1482925	Plate (Book Box)	1
12	1482949	Screw	4
13	1453887	Holder	1
14	2099947	Armrest (Left-Hand Side)	1
14	1563230	Cushion (LH Armrest)	1
15	1512536	Washer	2
16	18735	Screw	2
17	2099949	Armrest (Right-Hand Side)	1
17	1563231	Cushion (RH Armrest)	1
18	18471	Capscrew	2
19	4007318	Spacer	2
20	169874	Nut	4
21	18462	Capscrew	2
22	2099950	Seat Cover (Right-Hand Side)	1
23	1379945	Fastener	2
24	1598504	Kit-Seat Belt (Black)	1
24	1636120	Kit-Red Seat Belt High Visibility without Interlock	1

SEAT

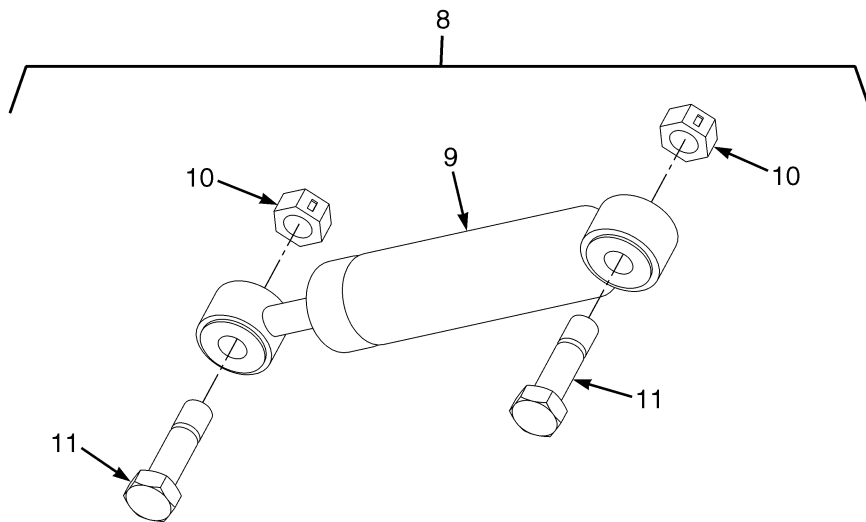
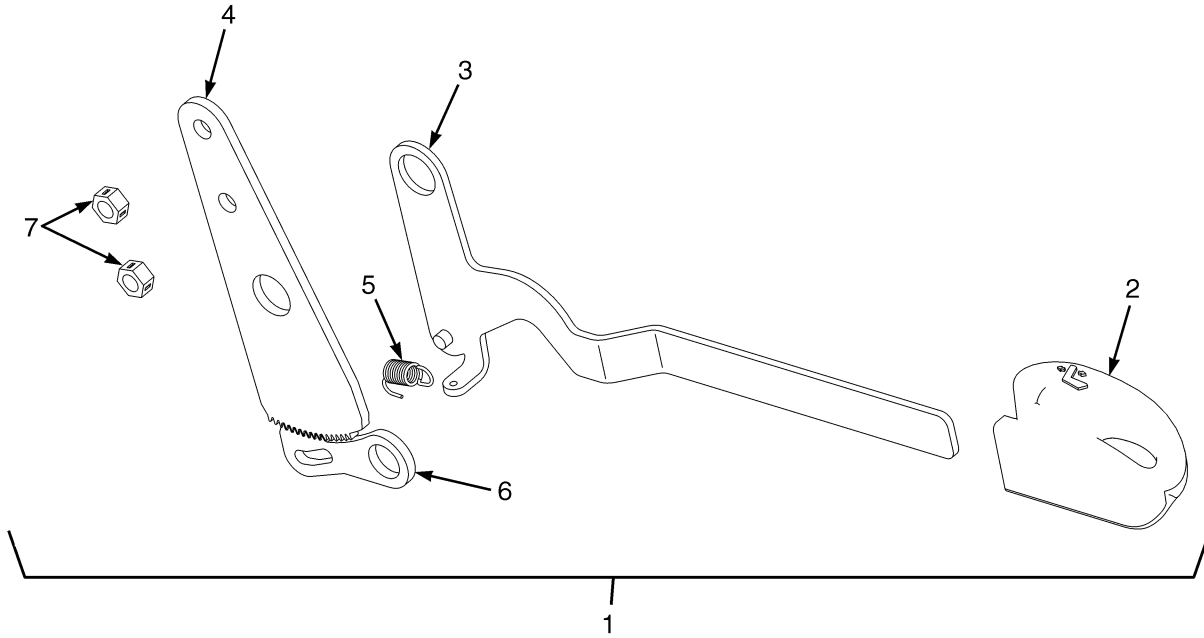
FULL SUSPENSION, HIGH BACK WITH LUMBAR ADJUSTMENT – SHEET 1 OF 2

ITEM	PART NO.	DESCRIPTION	QTY
24	4053079	Seat Belt (High Visibility with Interlock)	1
25	221353	Locknut	2
26	221530	Capscrew	1
27	221536	Capscrew	1
28	1581852	Washer	3
29	19901	Roll Pin	1
	b 4046492	Lever	1
	b 1563208	Sensor (Operator Presence)	1
	b 4027341	Bracket	1
	b 1703895	Kit-Service Internal Tether-80 MM Travel	1
	b 114312	Strap Clamp	1
	b 296379	Washer	2
	b 4032461	Kit (Mechanical Lumbar)	1
	ab 4032460	Kit Seat Suspension (Non Swivel Seat) (Includes Items 7-8) (☞ Figure 1-22).....	1

FOOTNOTES:

- a** Kit includes Tether and Recliner from Sheet 2 of 2. **b** Not Illustrated

SEAT (FIGURE 1-22)
FULL SUSPENSION, HIGH BACK WITH LUMBAR ADJUSTMENT — SHEET 2 OF 2

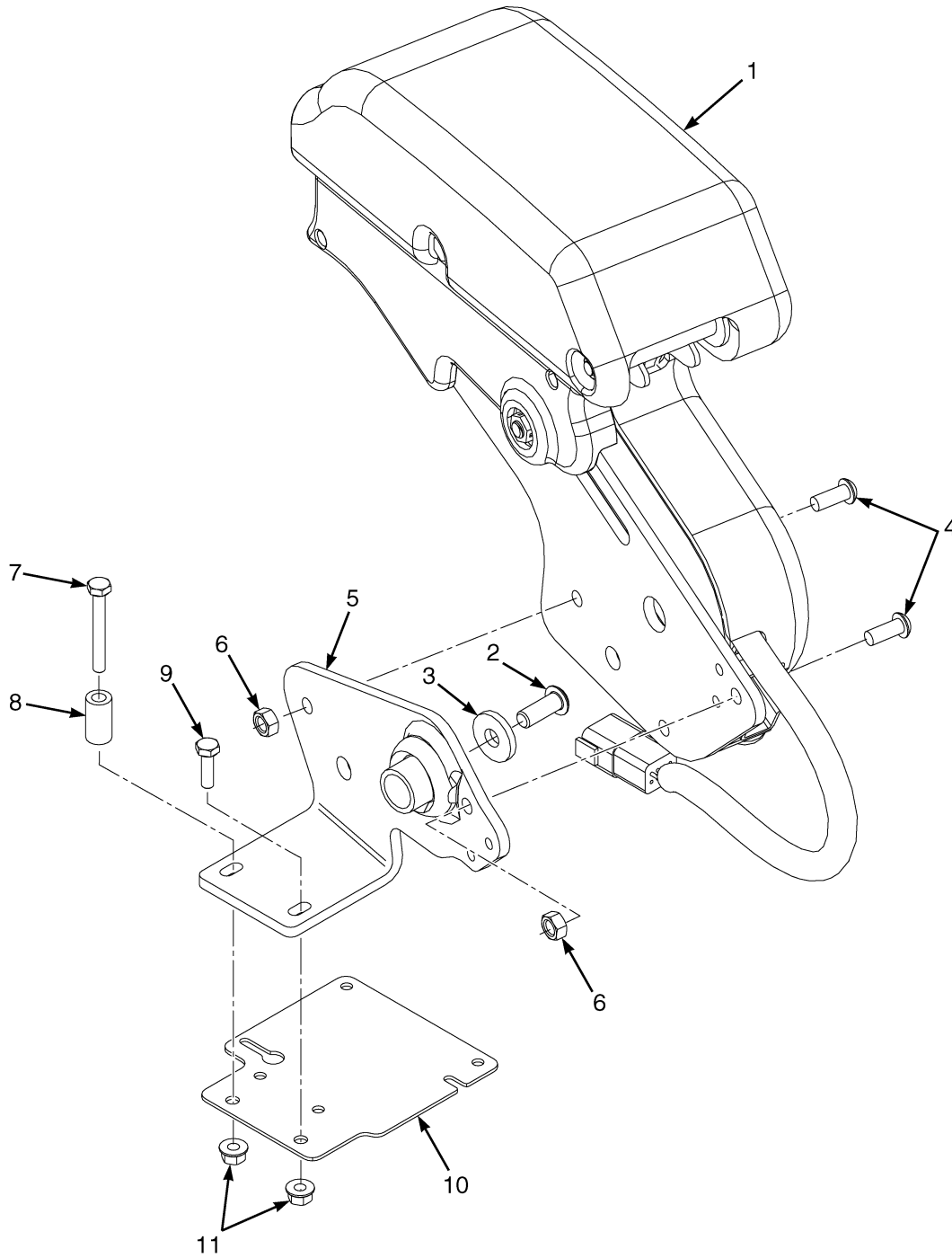


BP120646

SEAT
FULL SUSPENSION, HIGH BACK WITH LUMBAR ADJUSTMENT – SHEET 2 OF 2

ITEM	PART NO.	DESCRIPTION	QTY
1	1703891	Kit-Recliner (Back Seat Adjustment)	1
2	Knob	1
3	Lever	1
4	1482905	Plate	1
5	Spring	1
6	1482906	Latch	1
7	1367150	Nut	2
8	1703890	Kit-Damper Service	1
9	1584632	Damper	1
10	1367150	Nut	2
11	1584638	Bolt	2

ARMREST ASSEMBLY (FIGURE 1-23) JOYSTICK (→ 4/2014)

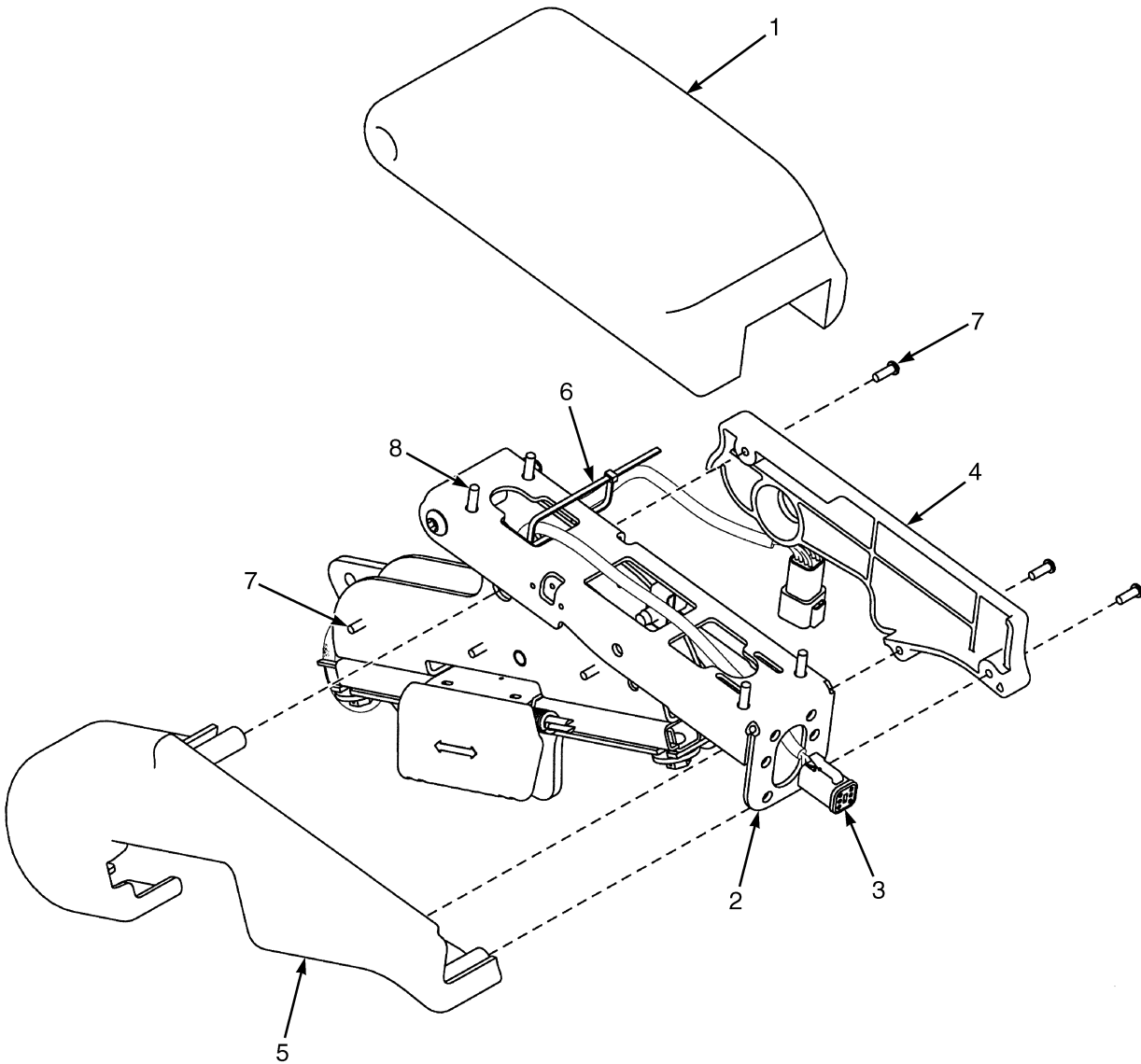


BP120726

ARMREST ASSEMBLY
JOYSTICK (→ 4/2014)

ITEM	PART NO.	DESCRIPTION	QTY
1	4602207	Armrest (Joystick Slider Assembly)	1
2	18738	Capscrew	1
3	1572889	Washer	1
4	369242	Capscrew	2
5	4010187	Bracket Wldmt (Joystick Armrest Slider Assembly)	1
6	1596421	Nut	2
7	18471	Capscrew	1
8	4007318	Spacer	1
9	18462	Capscrew	1
10	4004776	Cover Plate	1
11	169874	Nut	2

ARMREST ASSEMBLY (FIGURE 1-24) JOYSTICK (→ 4/2014)

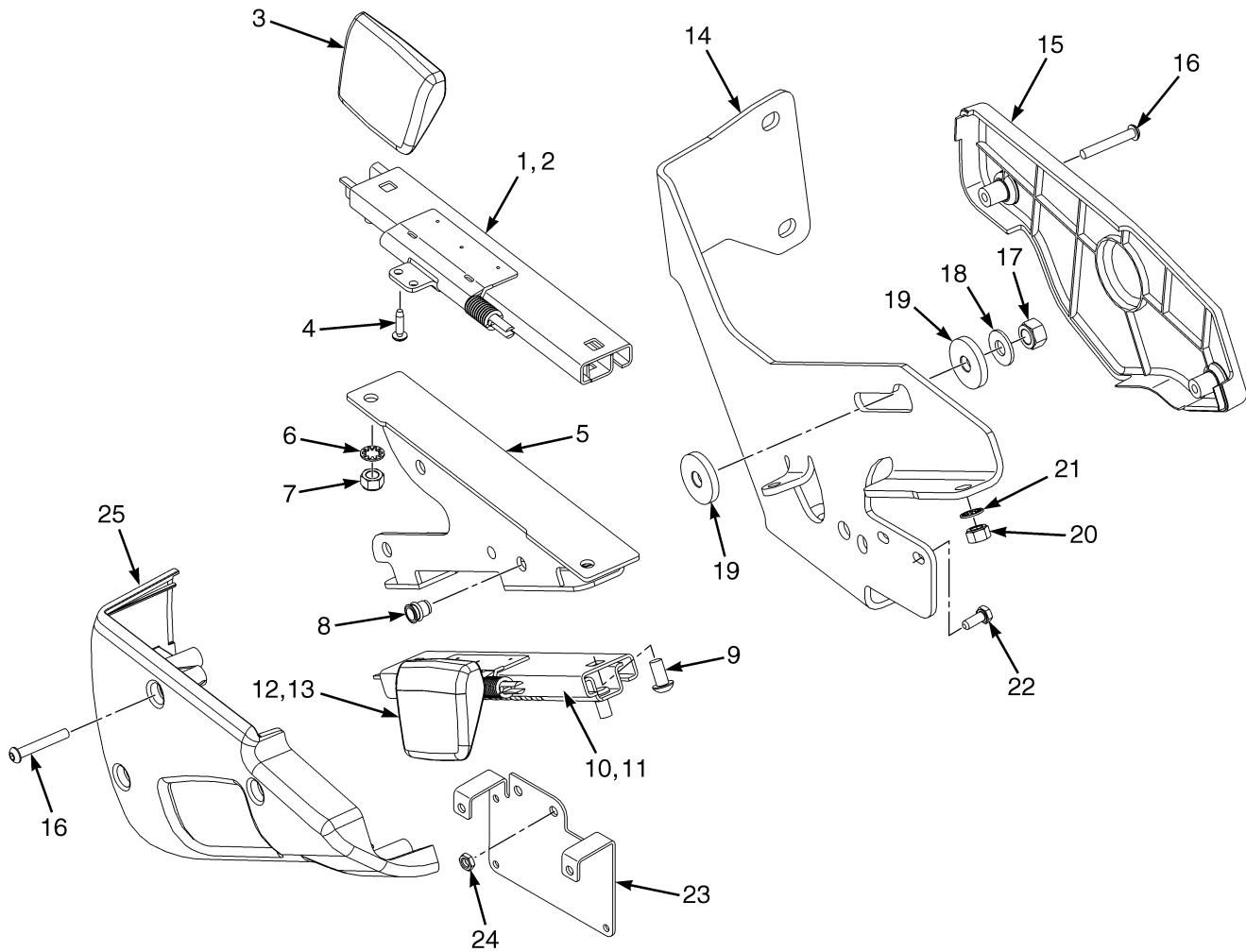


BP120690

ARMREST ASSEMBLY
JOYSTICK (→ 4/2014)

ITEM	PART NO.	DESCRIPTION	QTY
	4602207	Armrest (Joystick Slider Assembly)	1
1	Armrest	1
2	1693444	Armrest (Module)	1
3	4013915	Wire Harness	1
4	1584634	Cover (Inner RH)	1
5	1584635	Cover (Outer RH)	1
6	1482953	Strap Clamp	1
7	1584644	Screw	6
8	1584645	Screw	4

ARMREST ASSEMBLY (FIGURE 1-25) MINI-LEVER MODULES — SEMI-SUSPENSION SEAT

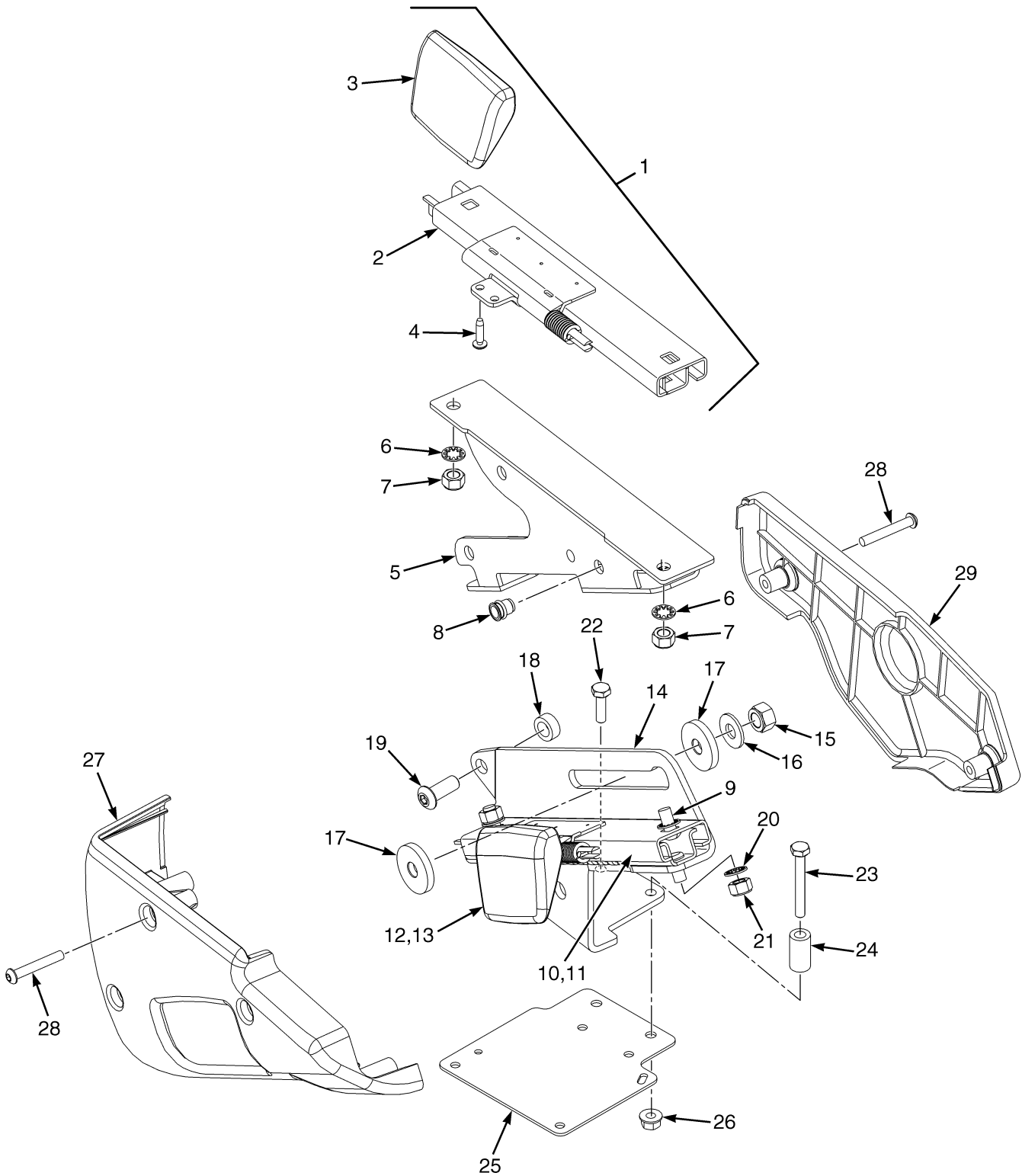


BP120702

ARMREST ASSEMBLY
MINI-LEVER MODULES – SEMI-SUSPENSION SEAT

ITEM	PART NO.	DESCRIPTION	QTY
	4005010	Armrest (Slider for Mini Lever)	1
1	Slider Assembly	1
2	1661511	Armrest (Slider)	1
3	1655865	Handle (Slider)	1
4	227157	Screw	2
5	4007052	Bracket Wldmt	1
6	296360	Washer	4
7	313828	Nut	4
8	1531558	Insert	3
9	296165	Capscrew	2
10	Slider Assembly	1
11	1661511	Armrest (Slider)	1
12	1655865	Handle (Slider)	1
13	227157	Screw	2
14	Bracket	1
15	4603493	Cover	1
16	2062875	Capscrew	5
17	316826	Nut	1
18	320160	Washer	1
19	1650640	Washer	2
20	313828	Nut	2
21	296360	Washer	2
22	292500	Capscrew	2
23	4005805	Cover Plate	1
24	1593334	Nut	2
25	4603492	Cover	1

ARMREST ASSEMBLY (FIGURE 1-26) MINI-LEVER MODULES — FULL SUSPENSION SEAT

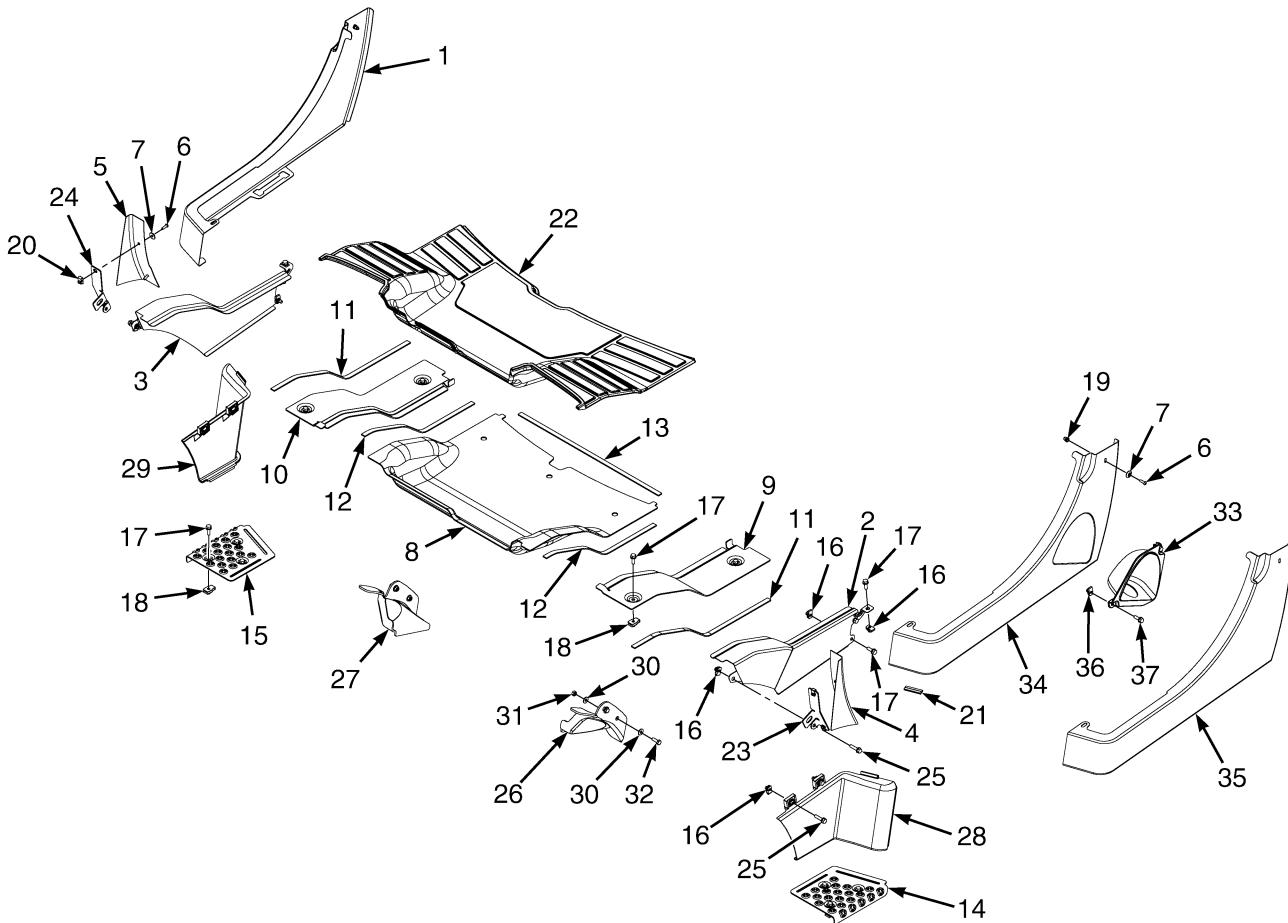


BP120701

ARMREST ASSEMBLY
MINI-LEVER MODULES – FULL SUSPENSION SEAT

ITEM	PART NO.	DESCRIPTION	QTY
	4005010	Armrest (Slider for Mini Lever)	1
1	Slider Assembly	1
2	1661511	Armrest (Slider)	1
3	1655865	Handle (Slider)	1
4	227157	Screw	2
5	4004775	Bracket	1
6	296360	Washer	2
7	313828	Nut	4
8	1531558	Insert	3
9	296165	Capscrew	2
10	Slider Assembly	1
11	1661511	Armrest (Slider)	1
12	1655865	Handle (Slider)	1
13	227157	Screw	2
14	4004775	Bracket	1
15	316826	Nut	1
16	320160	Washer	1
17	1650640	Washer	2
18	4007319	Spacer	1
19	18738	Capscrew	1
20	296360	Washer	2
21	313828	Nut	2
22	18462	Capscrew	1
23	18471	Capscrew	1
24	4007318	Spacer	1
25	4004776	Cover Plate	1
26	169874	Nut	2
27	4603492	Cover	1
28	2062875	Capscrew	5
29	4603493	Cover	1

FLOOR PLATES AND COVERS (FIGURE 1-27) SHEET 1 OF 2



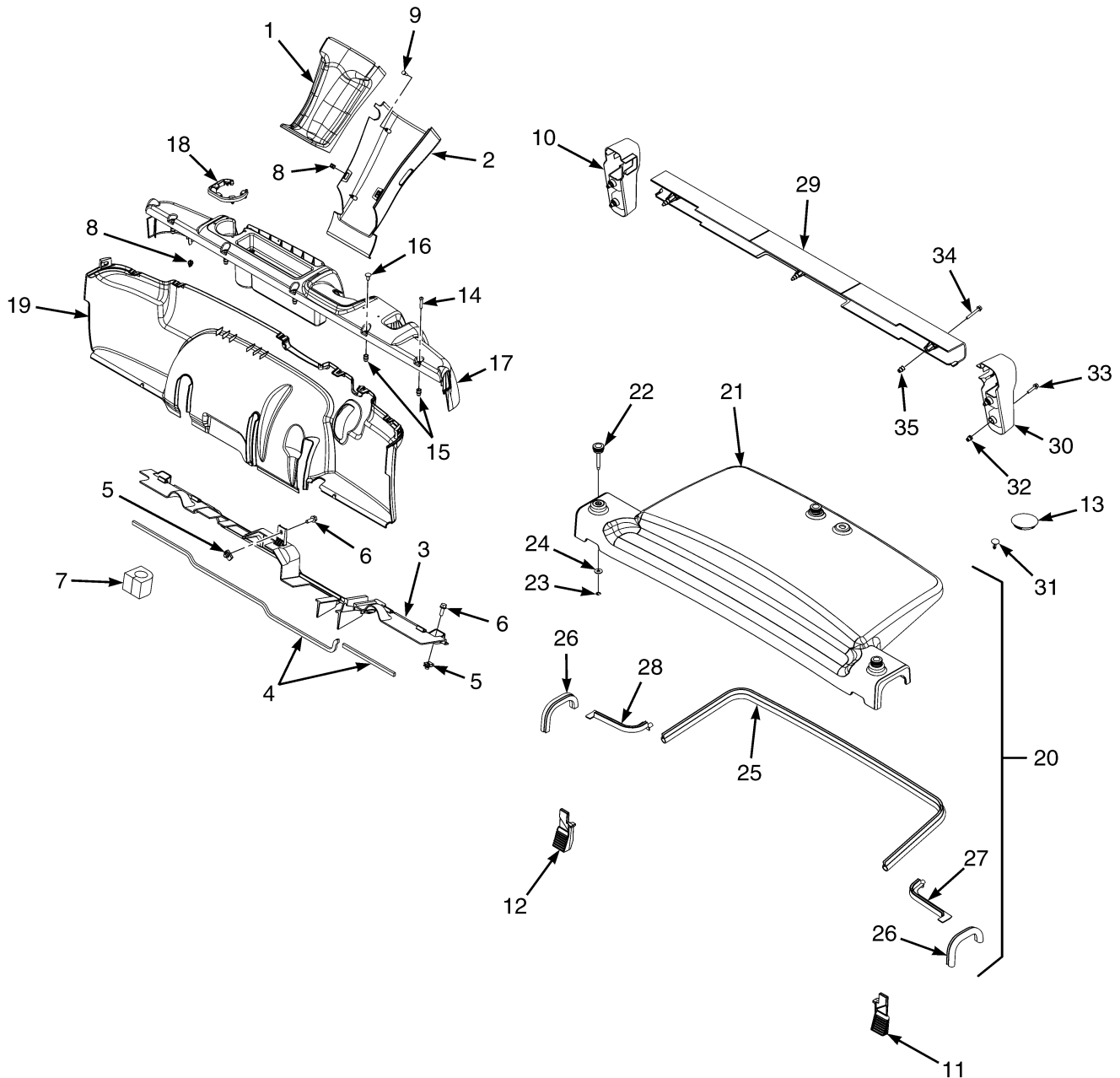
BP120918

FLOOR PLATES AND COVERS
SHEET 1 OF 2

ITEM	PART NO.	DESCRIPTION	QTY
1	1584135	Panel (Rear RH)	1
2	1597410	Panel (Front LH)	1
3	1597412	Panel (Front RH)	1
4	1565962	Cover (LH Fender)	1
5	1565964	Cover (RH Fender)	1
6	1710006	Capscrew	6
7	1709980	Washer	6
8	1583581	Floorplate	1
9	1583582	Floorplate (LH)	1
10	1583583	Floorplate (RH)	1
11	1567329	Seal (Rubber)	2
12	1586762	Seal (Rubber)	2
13	1588766	Seal (Rubber)	1
14	1544413	Plate (LH)	1
15	1544415	Plate (RH)	1
16	1480237	Nut	12
17	1583611	Capscrew	16
18	1393879	Nut	8
19	1531558	Insert	2
20	1350215	Nut	4
21	1582072	Trim Seal	2
22	2077209	Floormat	1
23	1597837	Bracket	1
24	1597838	Bracket	1
25	1586627	Capscrew	6
26	1626734	Flap (LH)	1
27	1626735	Flap (RH)	1
28	2102514	Step Panel (LH)	1
29	2102513	Step Panel (RH)	1
30	1581851	Washer	8
31	239503	Nut	4
32	1581581	Capscrew	4
33	1517656	Shield (Diesel)	1
34	1584129	Panel (Rear LH) (Diesel)	1
35	1584130	Panel (Rear LH) (LPG)	1
36	1480237	Nut (Diesel)	2
37	1583611	Capscrew (Diesel)	2
	ab 1581079	Plug	4

FOOTNOTES:**a** Not Illustrated**b** Not Required With Fender Extensions

FLOOR PLATES AND COVERS (FIGURE 1-28) SHEET 2 OF 2



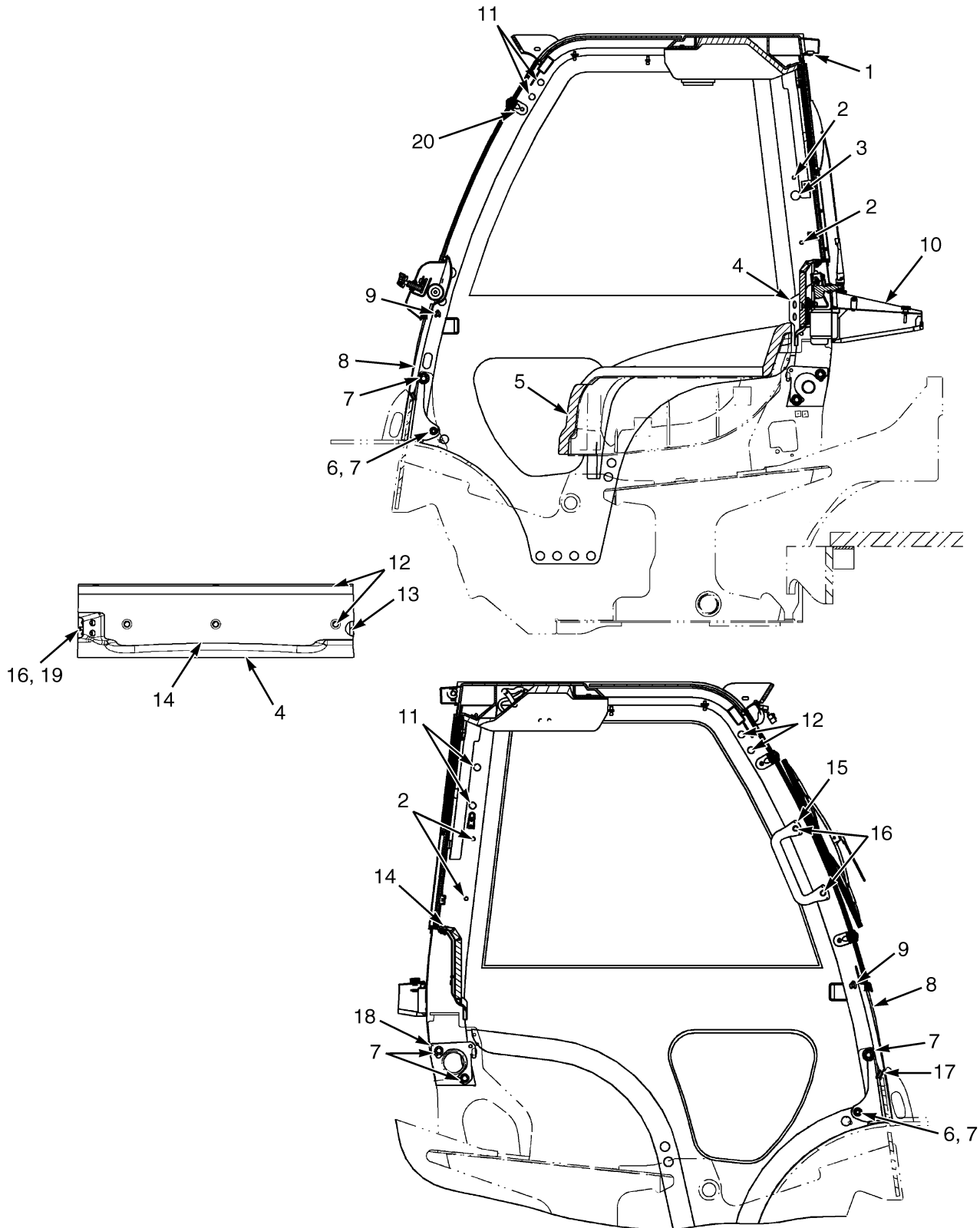
BP121110

FLOOR PLATES AND COVERS
SHEET 2 OF 2**KEY:****A: With Cab****B: Without Cab**

ITEM	PART NO.	DESCRIPTION	QTY	
			A	B
1	2098330	Cover (Steering Column Upper)	1	1
2	2065666	Cover (Steering Column Lower)	1	1
3	1567328	Cover Plate	1	1
4	1529428	Seal	AR	AR
5	1480237	Nut	4	4
6	1583611	Capscrew	4	4
7	1530135	Grommet	1	1
8	2065667	Clip	8	8
9	2027655	Screw	2	2
10	2107957	Tail Light Base (RH)	1	1
11	2089201	Seal (LH)	1	1
12	2089202	Seal (RH)	1	1
13	a 2021395	Cap	2	2
14	1710007	Capscrew	4	5
15	1531001	Insert	5	5
16	1307737	Fastener	1	..
17	1573597	Dash Panel (Manual Hydraulics)	1	1
17	1573598	Dash Panel (Electronic Hydraulics)	1	1
18	2070975	Cup Holder	1	1
19	2070726	Panel (Single Brake)	1	1
19	2076204	Panel (Dual Brake)	1	1
20	1688244	Cover (Assembly)	1
21	1587872	Cover	1
22	1588247	Screw	3
23	353206	Retaining Ring	3
24	320158	Washer	3
25	1590332	Trim Seal	1
26	1603285	Trim Seal	2
27	1603893	Seal (LH)	1
28	1603959	Seal (RH)	1
29	2067475	Cover (Rear Crossmember)	1	1
30	2107958	Tail Light Base (LH)	1	1
31	a 1347045	Fastener	6	6
32	1531558	Insert	4
33	1586495	Capscrew	4	4
34	1540643	Capscrew	3
35	1531001	Insert	3

FOOTNOTES:**a** Located Top of Counter Weight

MODULAR CAB AND ATTACHING PARTS (FIGURE 1-29) WITH PVC DOORS

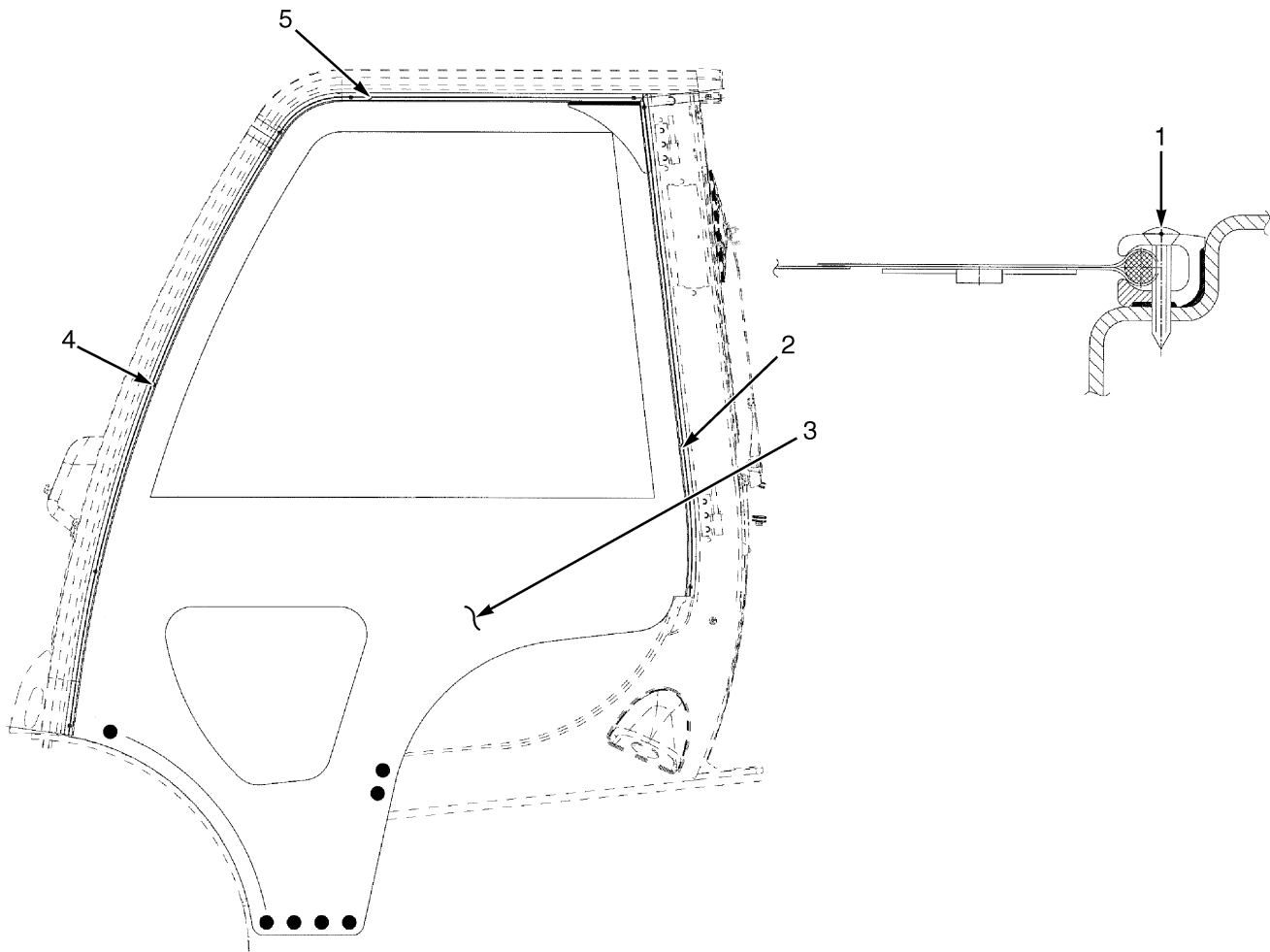


BP200205

**MODULAR CAB AND ATTACHING PARTS
WITH PVC DOORS**

ITEM	PART NO.	DESCRIPTION	QTY
1	1670242	Cab (With PVC Doors)	1
2	1494888	Plug	4
3	1599415	Plug	1
4	1661567	Cover (Inner Rear)	1
4	1668667	Cover	1
4	1623377	Seal .280 M	1
4	1668666	Plate	1
4	1623396	Fastener	6
5	1595161	Blanket	1
6	1528888	Nut (Shoulder)	2
7	1527888	Capscrew	8
8	1613743	Seal	2
9	1636647	Shim	AR
10	1615902	Cover	1
10	1492167	Trim-Bulk (2.480M)	1
10	1504941	Washer	1
10	4044428	Screw	1
10	4044429	Handle	1
10	1493480	Washer	2
10	302033	Screw	2
10	1623396	Fastener	1
10	4044430	Screw	2
11	1574301	Plug	8
12	2090695	Fastener	6
13	1510126	Screw (Button Head)	3
14	1635652	Cover	1
15	1536813	Handle (Grab)	1
16	1583611	Capscrew	4
17	1589787	Seal	2
18	1636853	Shim	AR
19	1661564	Bracket (Heater Hose)	1
19	1598327	Connector (Female)	1
20	4601386	Grommet	2
	1674072	Label	1

MODULAR CAB (FIGURE 1-30) PVC DOORS

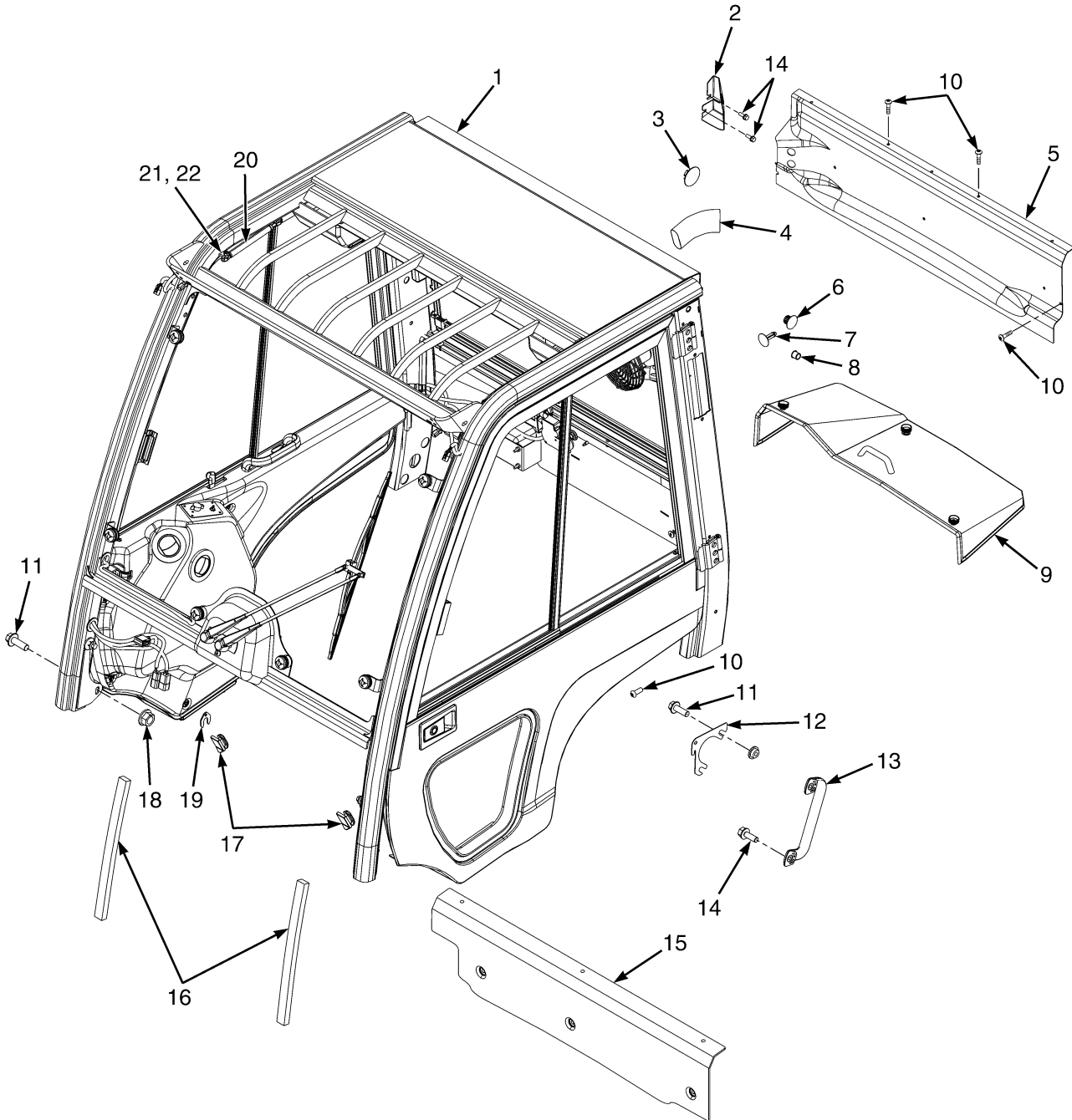


BP120249

**MODULAR CAB
PVC DOORS**

ITEM	PART NO.	DESCRIPTION	QTY
	1670242	Cab (With PVC Doors)	1
	1646709	Door (RH)	1
	1646710	Door Pvc (LH)	1
1	1627172	Screw	10
2	1646714	Door (Rear LH)	1
2	1646719	Door (Rear RH)	1
3	1646711	Door Pvc (Door LH)	1
3	1646720	Door Pvc (Door RH)	1
4	1646712	Door (Front LH)	1
4	1646717	Door (Front RH)	1
5	1646713	Door (Top LH)	1
5	1646718	Door (Top RH)	1
	1668665	Label (PVC Doors)	1
7	1689908	Door Key (Not Illustrated)	2

MODULAR CAB AND ATTACHING PARTS (FIGURE 1-31) WITH STEEL DOORS — WITHOUT AIR CONDITIONING

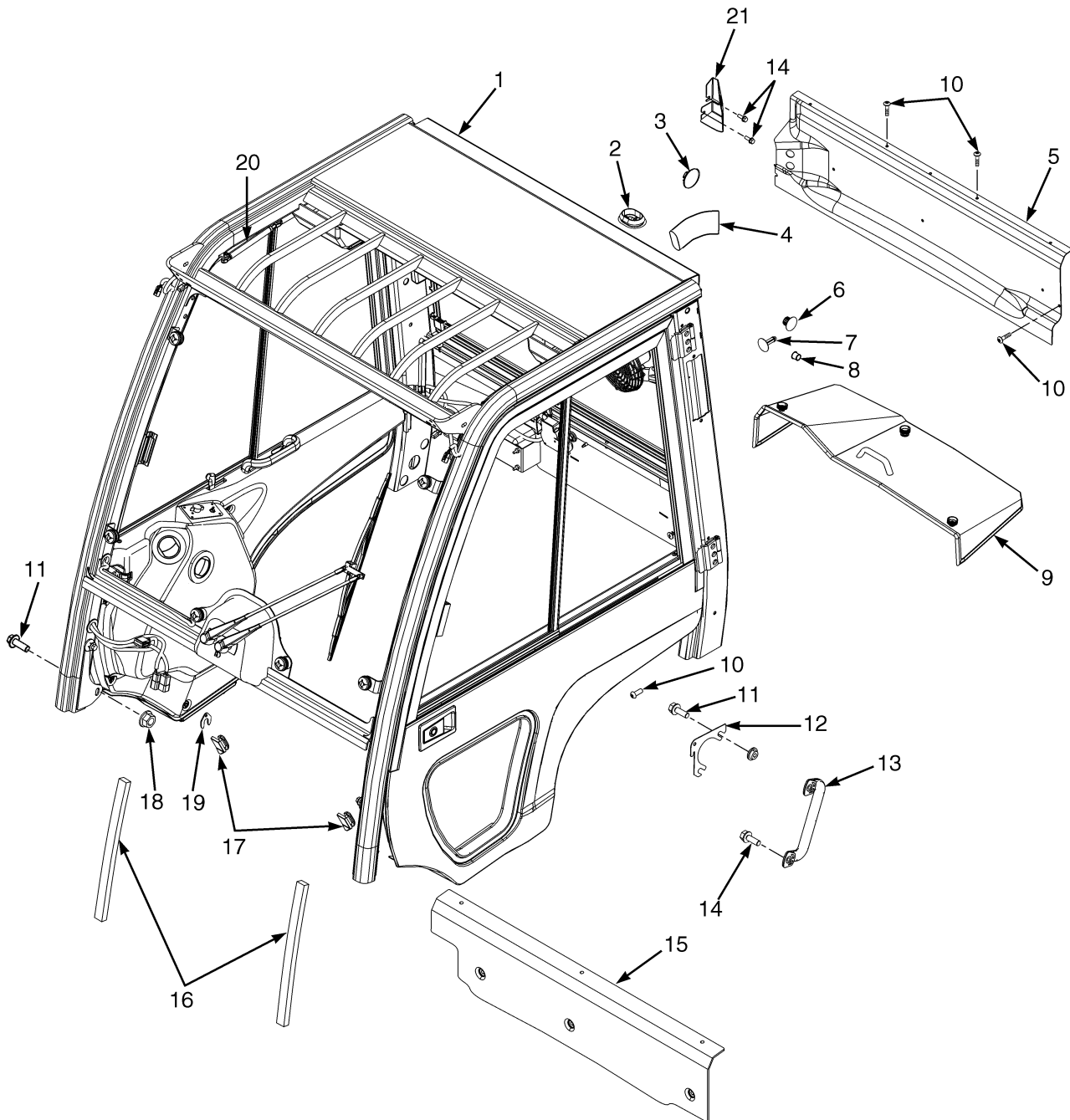


BP200203

**MODULAR CAB AND ATTACHING PARTS
WITH STEEL DOORS – WITHOUT AIR CONDITIONING**

ITEM	PART NO.	DESCRIPTION	QTY
1	1670240	Cab (With Steel Doors)	1
2	1661564	Bracket (Heater Hose)	1
2	1598327	Connector (Female)	1
3	1599415	Plug	1
4	1593845	Sleeve	1
5	1661567	Cover (Inner Rear)	1
5	1668667	Cover	1
5	1623377	Seal .280 M	1
5	1668666	Plate	1
5	1623396	Fastener	6
6	1574301	Plug	8
7	2090695	Fastener	6
8	1494888	Plug	4
9	1615902	Cover (Counterweight)	1
9	1492167	Trim-Bulk (2.480M)	1
9	1504941	Washer	1
9	4044428	Screw	1
9	4044429	Handle	1
9	1493480	Washer	2
9	302033	Screw	2
9	1623396	Fastener	1
9	4044430	Screw	2
10	1510126	Screw (Button Head)	3
11	1566853	Capscrew	8
12	1636853	Shim	AR
13	1536813	Handle (Grab)	1
14	1583611	Capscrew	4
15	1635652	Cover	1
16	4040607	Seal	2
17	1589787	Seal	2
18	1528888	Nut (Shoulder)	2
19	1636647	Shim	AR
20	1598414	Gas Spring (RH)	1
20	1598397	Gas Spring (LH)	1
21	4009902	Ball Stud	4
22	302400	Nut	4

MODULAR CAB AND ATTACHING PARTS (FIGURE 1-32) WITH STEEL DOORS AND AIR CONDITIONING — (SHEET 1 OF 2)



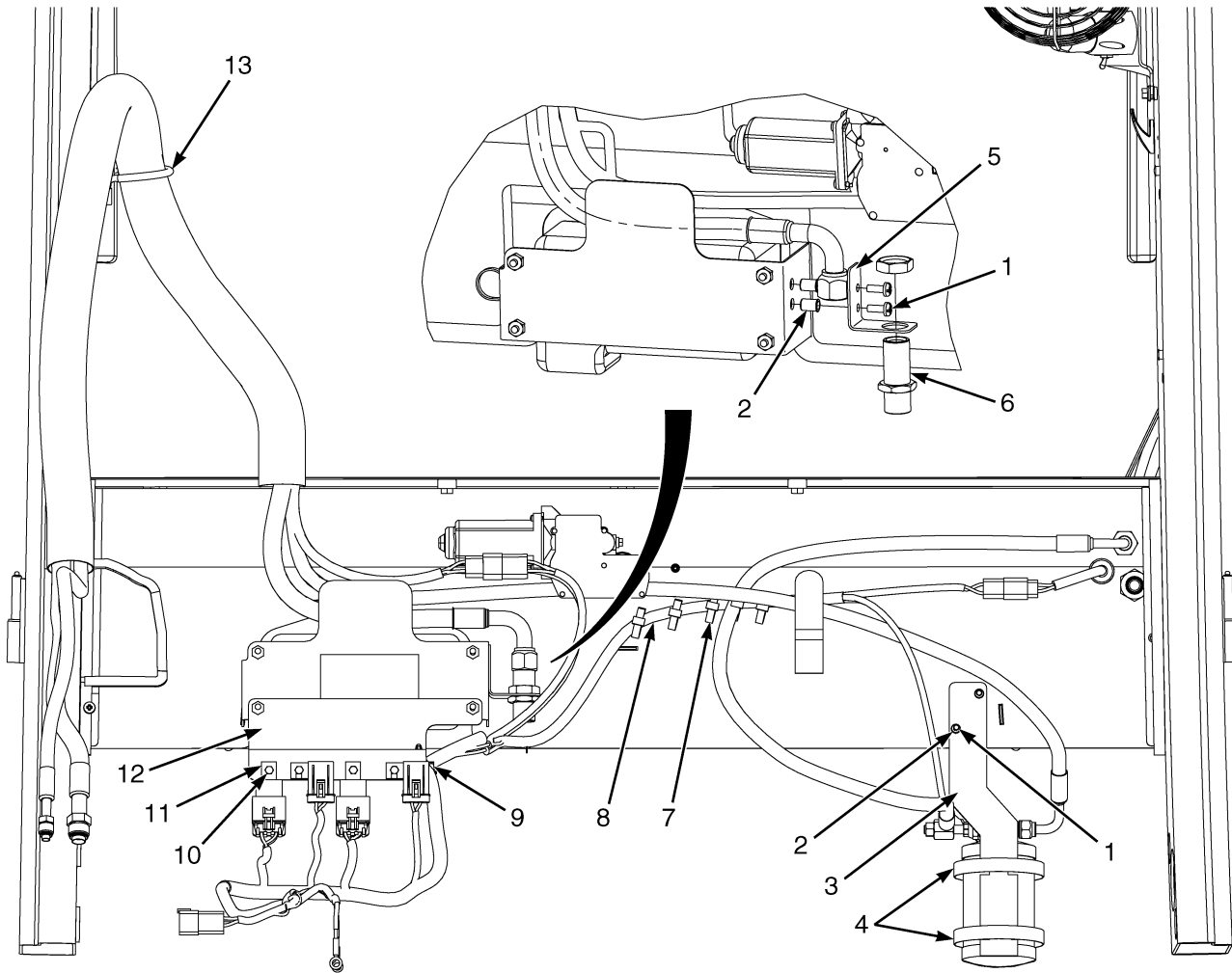
BP120220

**MODULAR CAB AND ATTACHING PARTS
WITH STEEL DOORS AND AIR CONDITIONING – (SHEET 1 OF 2)**

ITEM	PART NO.	DESCRIPTION	QTY
1	1693291	Cab (With Air Conditioning) (☞ Figure 1-33).....	1
2	4601386	Grommet	1
3	1599415	Plug	1
4	1593845	Sleeve	1
5	4005633	Cover	1
5	1661567	Cover (Inner Rear)	1
5	1668667	Cover	1
5	1623377	Seal .280 M	1
5	1668666	Plate	1
5	1623396	Fastener	6
6	1574301	Plug	8
7	2090695	Fastener	6
8	1494888	Plug	4
9	1615902	Cover (Counterweight)	1
9	1492167	Trim-Bulk (2.480M)	1
9	1504941	Washer	1
9	4044428	Screw	1
9	4044429	Handle	1
9	1493480	Washer	2
9	302033	Screw	2
9	1623396	Fastener	1
9	4044430	Screw	2
10	1510126	Screw (Button Head)	3
11	1566853	Capscrew	8
12	1636853	Shim	AR
13	1536813	Handle (Grab)	1
14	1583611	Capscrew	4
15	4005634	Cover	1
15	1635652	Cover	1
16	4040607	Seal	1
17	1589787	Seal	2
18	1528888	Nut (Shoulder)	2
19	1636647	Shim	AR
20	1598414	Gas Spring (RH)	1
20	1598397	Gas Spring (LH)	1
21	1661564	Bracket (Heater Hose)	1
21	1598327	Connector (Female)	1
	a 1595161	Blanket	1
	a 4093489		
	320156	Washer	1

FOOTNOTES:**a** Not Illustrated

MODULAR CAB AND ATTACHING PARTS (FIGURE 1-33) WITH STEEL DOORS — WITH AIR CONDITIONING (SHEET 2 OF 2)



BP200183

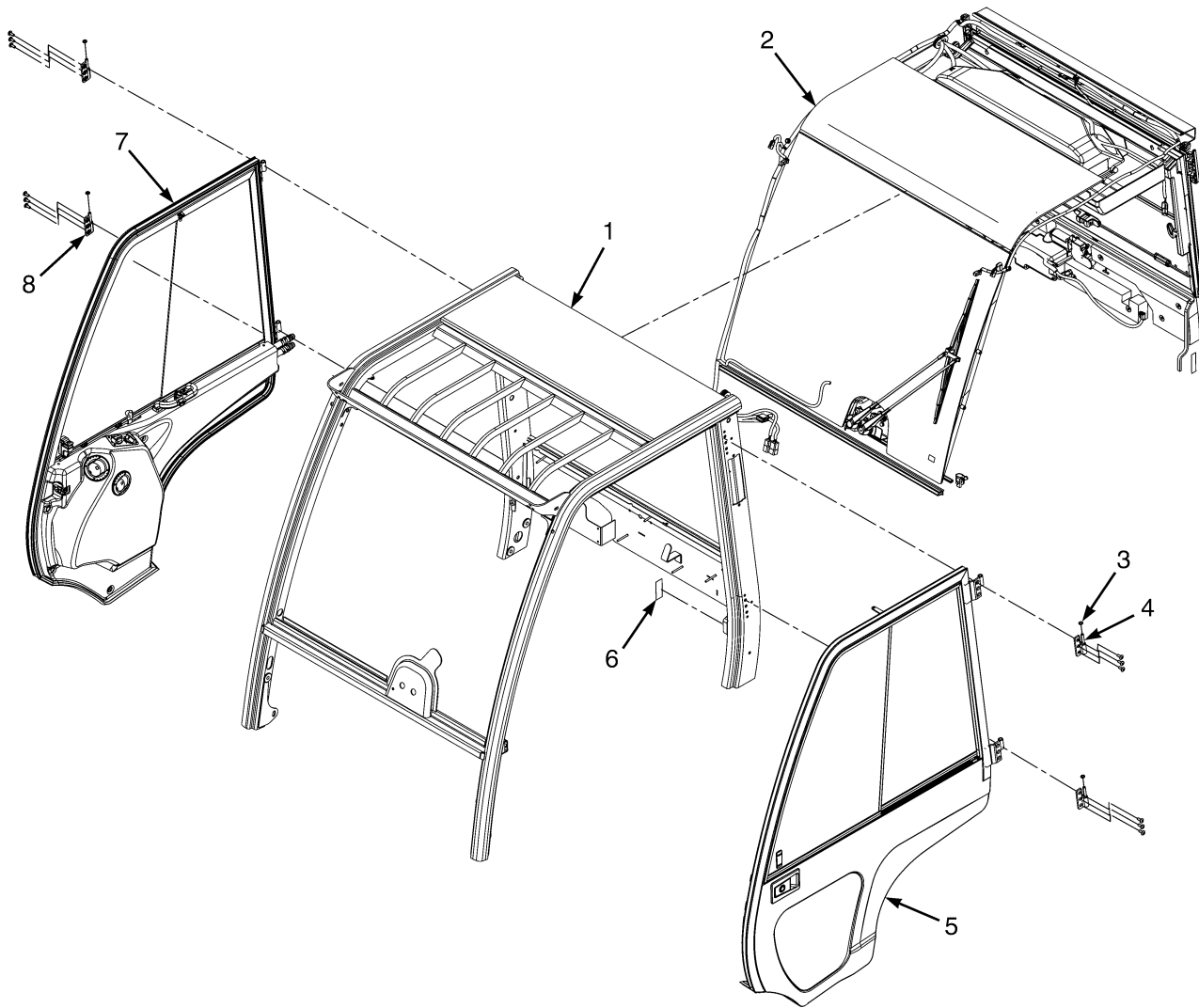
**MODULAR CAB AND ATTACHING PARTS
WITH STEEL DOORS – WITH AIR CONDITIONING (SHEET 2 OF 2)**

ITEM	PART NO.	DESCRIPTION	QTY
	1693291	Cab (With Air Conditioning)	1
1	Screw	4
2	Insert	4
3	Bracket	1
4	Clamp	2
5	Bracket	1
6	Kit Dryer	1
7	2033612	Strap Clamp	6
8	4616123	Wire Harness (AC) (☞ Figure 5-33).....	1
9	1402815	Clip	1
10	302244	Capscrew	4
11	1565407	Nut	4
12	4039098	Plate (Relay and Fuse)	1
13	4023867	Wire (Clamp)	1
	a 4618180	Label (AC Decal)	1

FOOTNOTES:

a Not Illustrated

MODULAR CAB WITH STEEL DOORS (FIGURE 1-34) WITHOUT AIR CONDITIONING

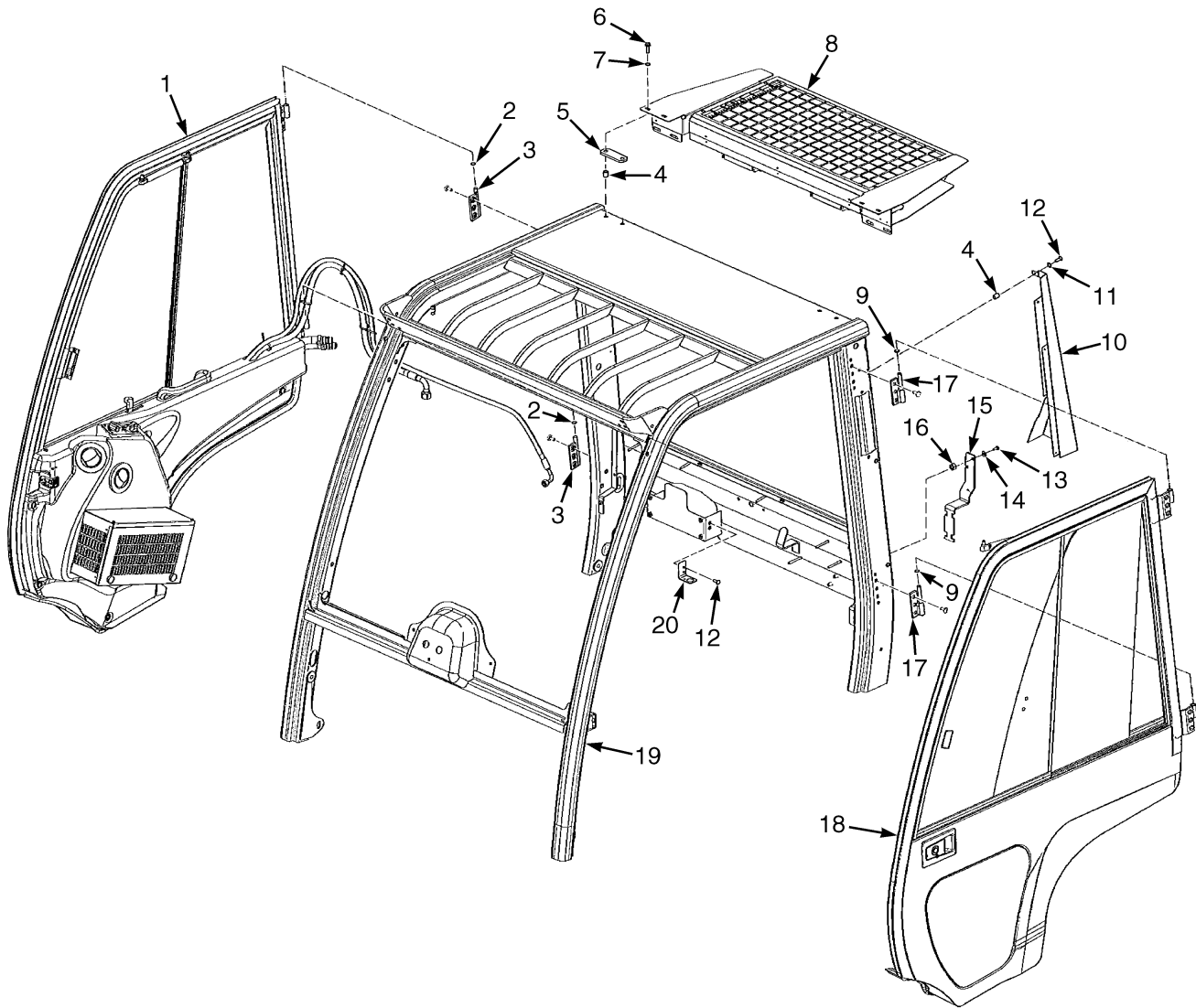


BP200193

**MODULAR CAB WITH STEEL DOORS
WITHOUT AIR CONDITIONING**

ITEM	PART NO.	DESCRIPTION	QTY
	1670240	Cab	1
1	1674069	Frame Wldmt	1
2	Cab Assembly (☞Figure 1-36, ☞Figure 1-37, ☞Figure 1-38).....	1
3	1468312	Washer	4
4	1503958	Hinge (LH)	2
5	1623359	Door (LH) (☞Figure 1-39).....	1
6	1674070	Label (With Steel Doors)	1
7	1623358	Door Assembly (RH) (☞Figure 1-40).....	1
8	1503959	Hinge (RH)	2

MODULAR CAB WITH STEEL DOORS (FIGURE 1-35) WITH AIR CONDITIONING

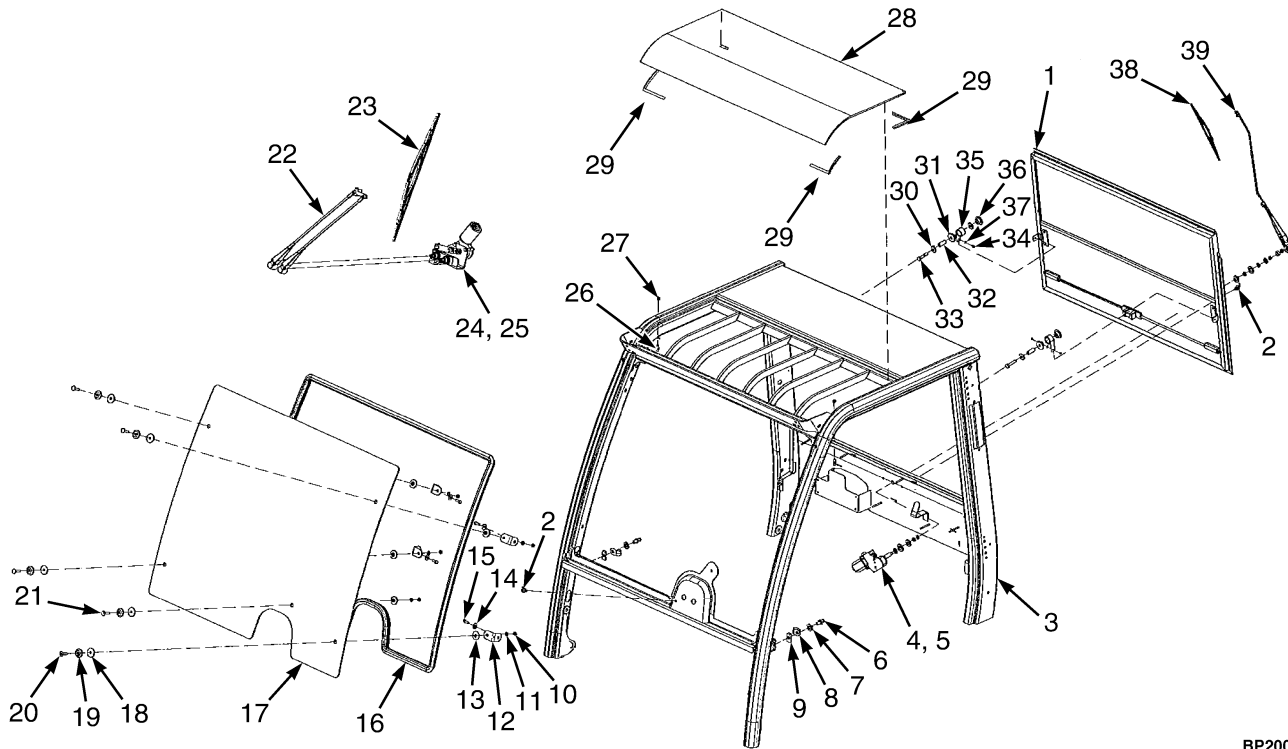


YP120263

**MODULAR CAB WITH STEEL DOORS
WITH AIR CONDITIONING**

ITEM	PART NO.	DESCRIPTION	QTY
	1693291	Cab (With Air Conditioning)	1
1	4014295	Door (RH) (☞Figure 1-45, ☞Figure 1-46).....	1
2	1468312	Washer	2
3	1503959	Hinge (RH)	2
4	1468308	Nut	9
5	4033835	Bracket	2
6	320158	Washer	9
7	287851	Capscrew	8
8	4044155	Condenser Assembly	1
9	1468312	Washer	2
10	4033832	Cover (Hose)	1
11	320158	Washer	3
12	287851	Capscrew	3
13	1623395	Capscrew	2
14	320158	Washer	4
15	4033834	Plate (Fastening)	1
16	239503	Nut	2
17	1503958	Hinge (LH)	2
18	1623359	Door (LH) (☞Figure 1-39).....	1
19	Cab Assembly	1
20	4033833	Bracket	1

MODULAR CAB WITH STEEL DOORS (FIGURE 1-36) SHEET 1 OF 3

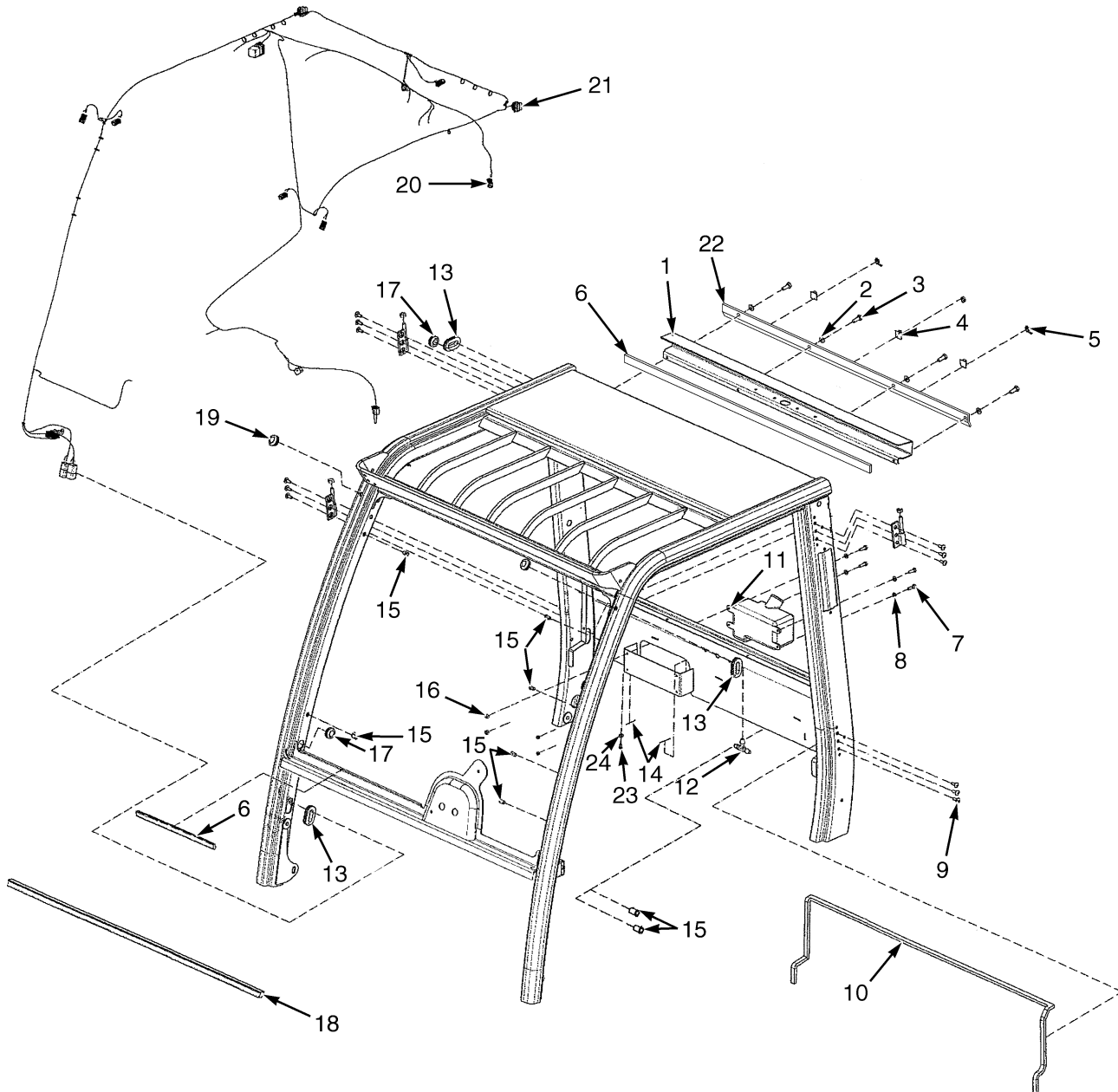


BP200213

ITEM	PART NO.	DESCRIPTION	QTY
1	1623365	Sliding Window (☞Figure 1-43).....	1
2	1493336	Connector (Spray Nozzle)	2
3	1635003	Plate	1
4	1598295	Wiper Motor	1
5	1507003	Nozzle	1
6	1653630	Striker Bolt	2
7	1571029	Washer	2
8	1674101	Spacer	2
9	1393488	Block	2
10	1468313	Nut	5
11	320158	Washer	5
12	1598210	Bracket	4
13	1468317	Washer	5
14	1504941	Washer	4
15	1623364	Capscrew	4
16	1495441	Seal	AR
17	1674090	Front Window	1
18	1468316	Washer	5
19	1468315	Washer	5
20	1468314	Screw	4
21	1674089	Screw	1
22	1623369	Wiper Arm	1
23	1520927	Wiper Blade	1
24	1674087	Wiper Motor	1
25	4018452	Window Washer Nozzle	1
26	1393472	Ball Stud	2

ITEM	PART NO.	DESCRIPTION	QTY
27	316835	Nut	2
28	1623367	Kit-Top Screen	1
29	1674088	Seal	AR
30	1558052	Washer	4
31	292667	Nut	2
32	1623366	Sleeve	2
33	1598291	Capscrew	2
34	302019	Screw	2
35	1598302	Spring	2
36	1598301	Bushing	4
37	296415	Washer	2
38	1598297	Wiper Blade	1
39	1598296	Wiper Arm	1

MODULAR CAB WITH STEEL DOORS (FIGURE 1-37) SHEET 2 OF 3



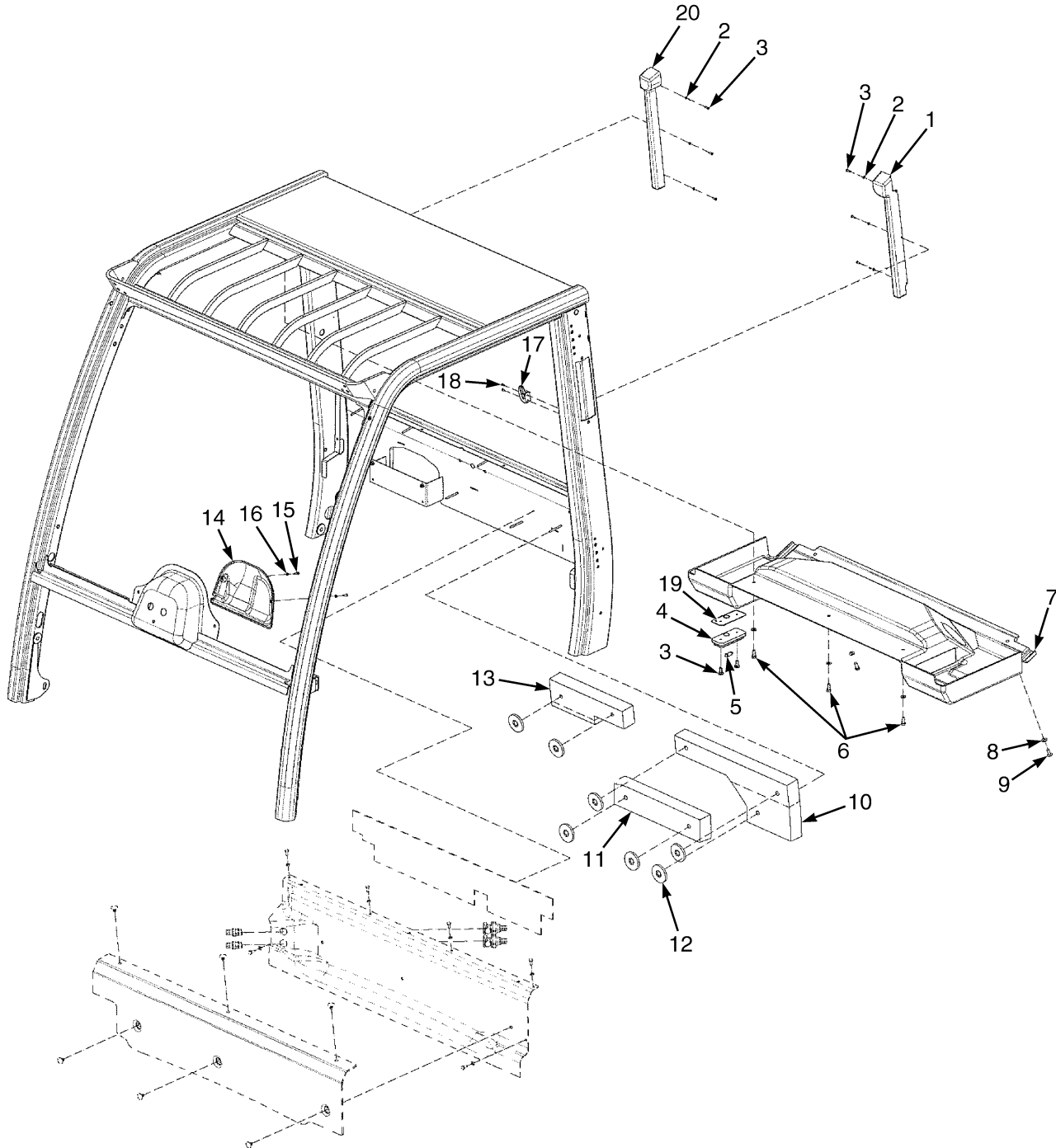
BP200214

MODULAR CAB WITH STEEL DOORS
SHEET 2 OF 3

ITEM	PART NO.	DESCRIPTION	QTY
1	1646725	Cover	1
2	320158	Washer	4
3	136681	Capscrew	6
4	1558036	Clip	1
5	1393499	Clamp	4
6	1646726	Seal	AR
7	1623380	Bolt	4
8	4093489 320156	Washer	4
9	1674103	Screw	12
10	1646722	Seal	AR
11	1646922	Reservoir	1
11	1705156	Pump (Windshield Washer, 12V)	1
11	1635026	Cap	1
12	1311260	Fitting	1
13	1598332	Grommet	3
14	1498336	Edge Protector	1
15	1674102	Rivet	9
16	136687	Nut	4
17	1646729	Grommet	2
18	1674106	Seal	AR
19	1646728	Sleeve	2
20	1646730	Connector	1
21	1623382	Wire Harness	1
22	1674112	Plate	1
23	1674104	Screw	2
24	1558035	Lockwasher	2
	a 1674105	Angle	1
	a 1623377	Seal	AR

FOOTNOTES:**a** Not Illustrated

MODULAR CAB WITH STEEL DOORS (FIGURE 1-38) SHEET 3 OF 3

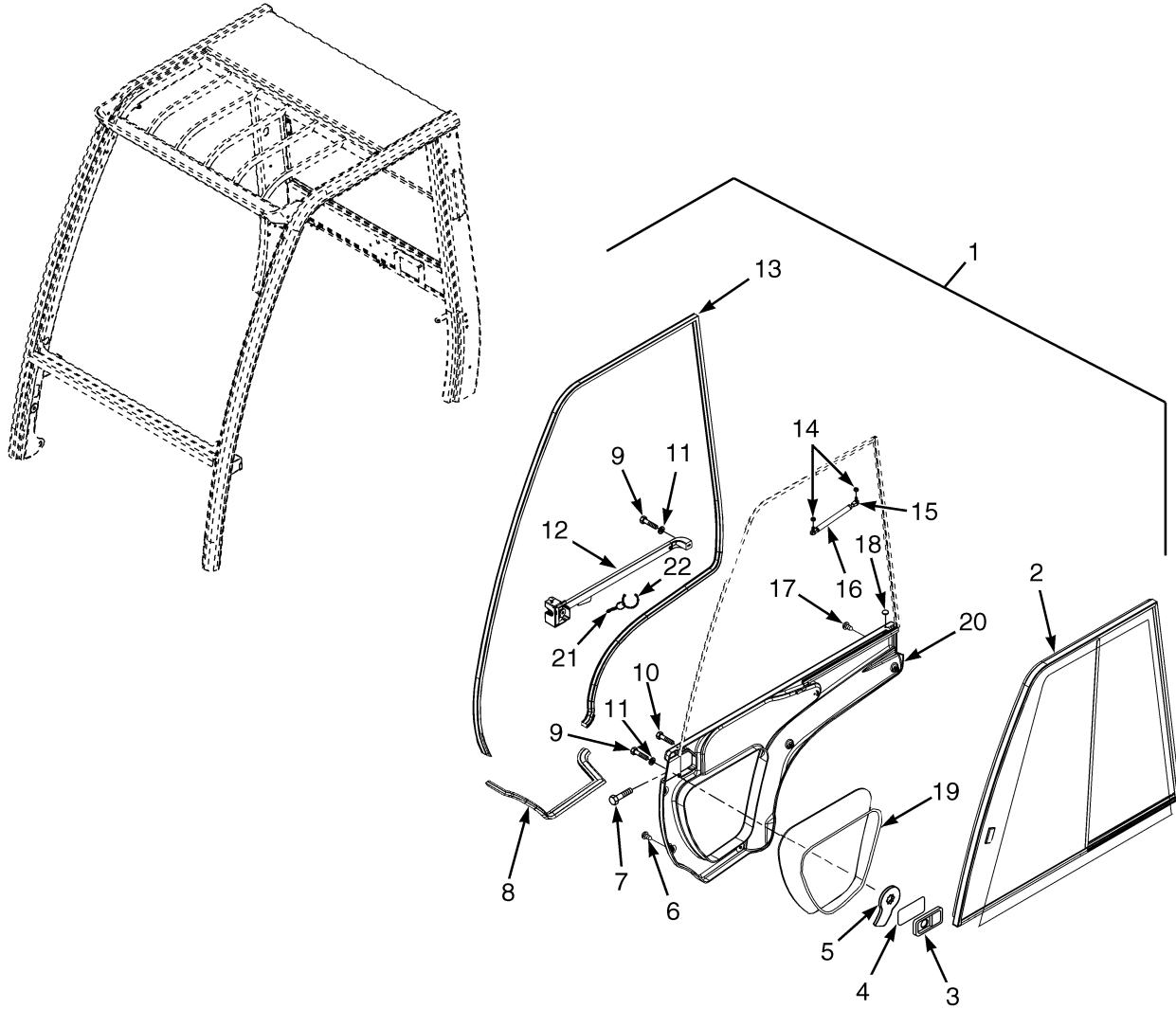


BP200215

MODULAR CAB WITH STEEL DOORS
SHEET 3 OF 3

ITEM	PART NO.	DESCRIPTION	QTY
1	1598425	Support (LH)	1
2	296415	Washer	6
3	1468319	Screw	8
4	1393528	Dome Light	1
5	1393527	Bulb	1
6	1468311	Screw	3
7	1623371	Headliner	1
8	296419	Washer	2
9	4023959	Screw	2
10	1646732	Block	1
11	1646731	Block	1
12	1623396	Fastener	7
13	1646733	Block	1
14	1674108	Cover	1
15	1623370	Screw	2
16	1674107	Nut	3
17	1393458	Hanger	1
18	1492140	Washer	3
19	1566767	Bracket	1
20	1598424	Support (RH)	1

MODULAR CAB WITH STEEL DOORS (FIGURE 1-39) LEFT HAND DOOR



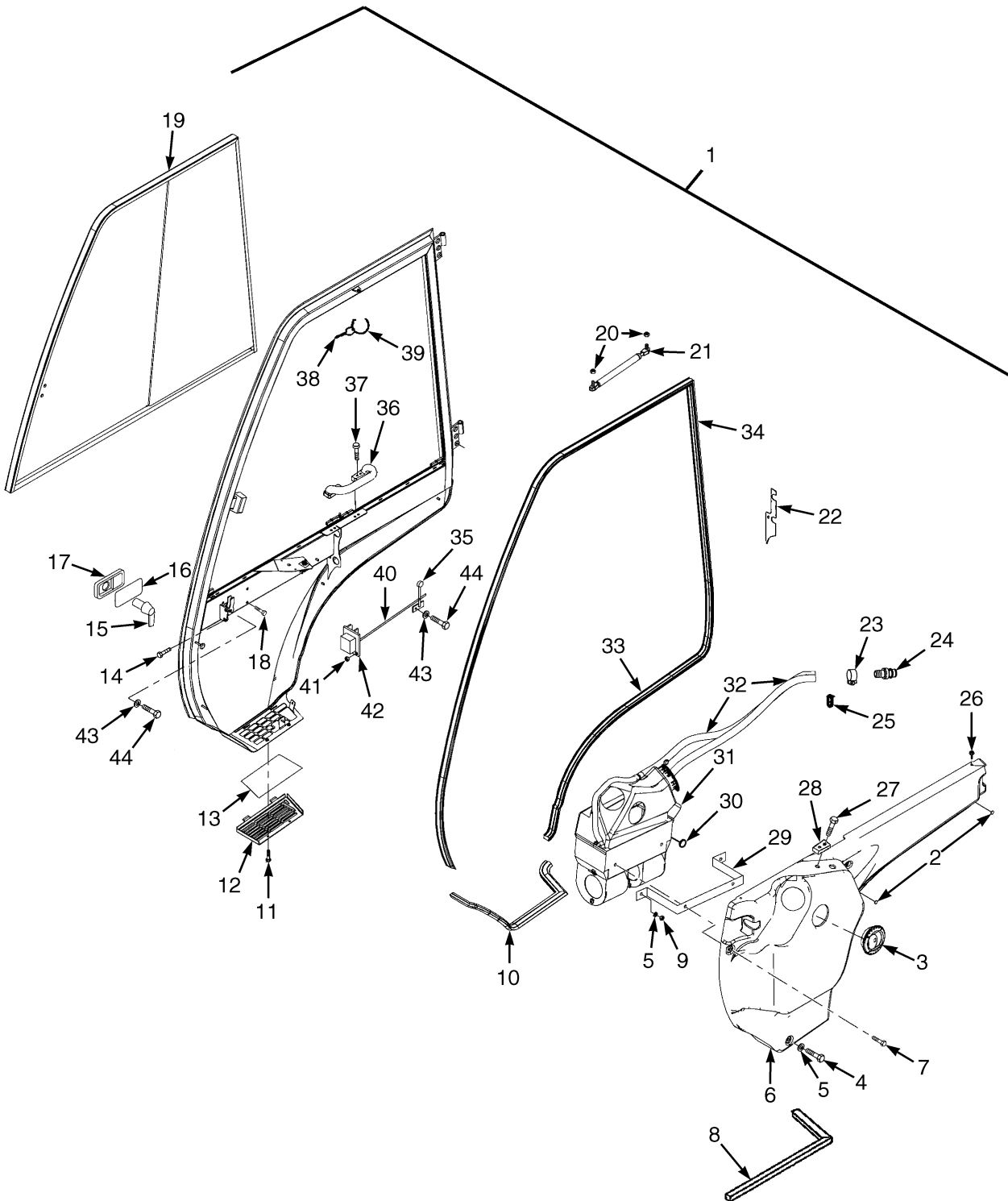
BP200201

**MODULAR CAB WITH STEEL DOORS
LEFT HAND DOOR**

ITEM	PART NO.	DESCRIPTION	QTY
	1670240	Cab (With Steel Doors)	1
1	1623359	Door (LH)	1
2	1623404	Sliding Window (☞Figure 1-41).....	1
3	1598393	Grip (Without Key)	1
4	1598394	Shim	1
5	1598392	Lever	1
6	1598389	Fastener	3
7	296229	Capscrew	2
8	1623391	Seal	AR
9	302047	Screw	3
10	1623393	Capscrew	2
11	4093489		
	320156	Washer	3
12	1393479	Door Handle	1
13	1393463	Seal	AR
14	316835	Nut	2
15	1393472	Ball Stud	1
16	1598397	Gas Spring	1
17	1623396	Fastener	2
18	1623406	Plug	2
19	1598395	Window	1
20	4035980	Cover	1
21	1593629	Key (For Cab Door Grip)	1
22	1506825	Strap Clamp	1
	a 1558294	Seal	AR
	a 1690792	Channel	AR

FOOTNOTES:**a** Not Illustrated

MODULAR CAB WITH STEEL DOORS (FIGURE 1-40) RIGHT HAND DOOR AND HEATER ASSEMBLY — WITHOUT AIR CONDITIONING



BP200200

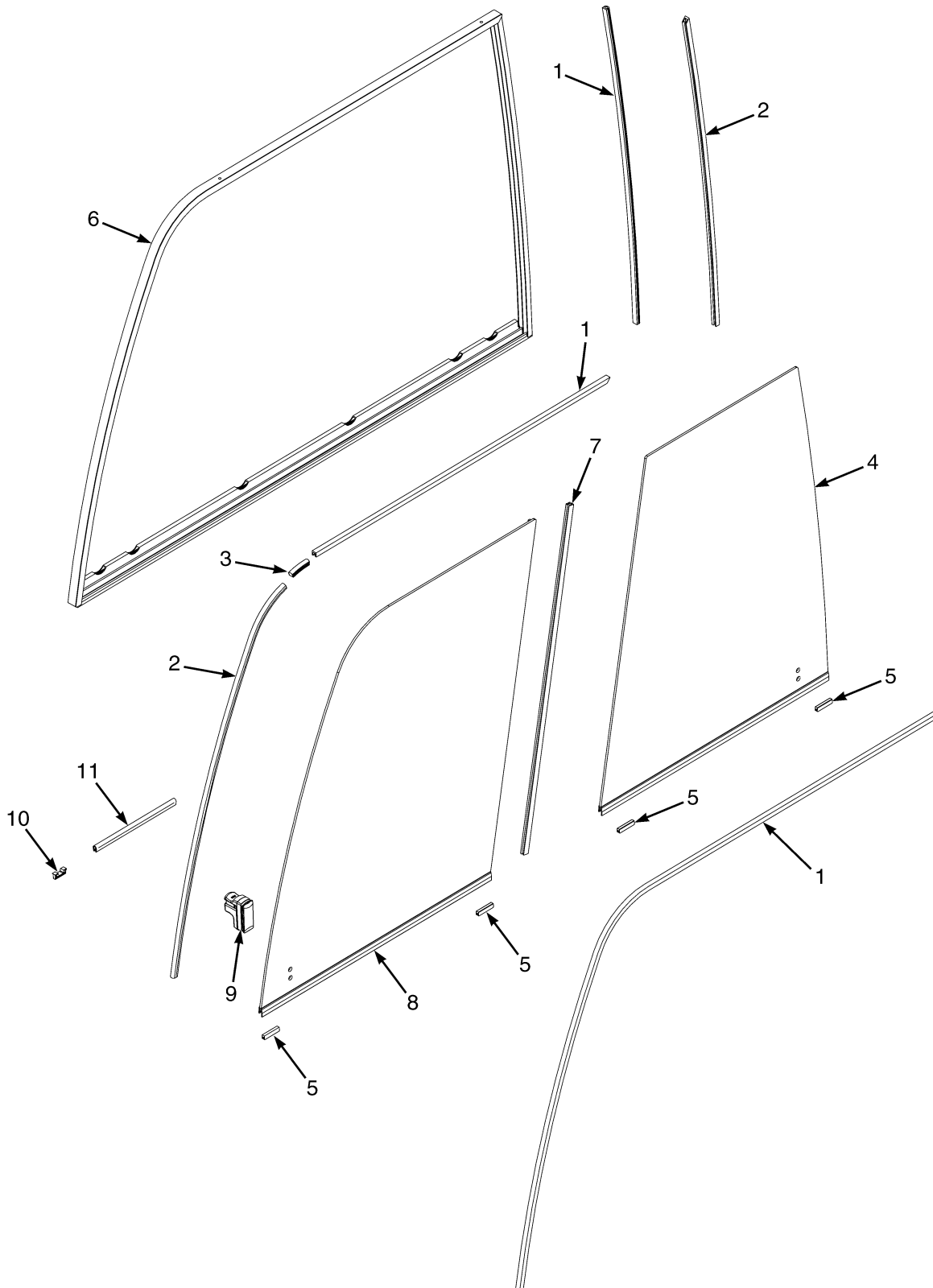
MODULAR CAB WITH STEEL DOORS
RIGHT HAND DOOR AND HEATER ASSEMBLY – WITHOUT AIR CONDITIONING

ITEM	PART NO.	DESCRIPTION	QTY
	1670240	Cab (With Steel Doors)	1
1	1623358	Door Assembly (RH)	1
2	1651739	Rivet	2
3	1598398	Louver (Air)	3
4	1623395	Capscrew	2
5	320158	Washer	4
6	4020220	Cover	1
7	1598389	Fastener	3
8	1508229	Seal	AR
9	239503	Nut	2
10	1623391	Seal	AR
11	1598399	Screw	2
12	1623398	Bracket	1
13	1623399	Air Filter	1
14	296229	Capscrew	2
15	1598411	Lever	1
16	4070544	Seal	1
17	1598393	Grip (Without Key)	1
18	1623393	Capscrew	2
19	1623392	Sliding Window (RH) (☞Figure 1-42).....	1
20	316835	Nut	1
21	1393472	Ball Stud	1
22	4010830	Foam	1
23	1674073	Clamp	1
24	1598670	Fitting (Male)	2
25	1393499	Clamp	1
26	1623406	Plug	2
27	1468318	Screw	4
28	1623403	Plate	4
29	1598669	Bracket	1
30	1598390	Plug	2
31	1598404	Heater Assembly (☞Figure 1-44).....	1
32	1623400	Hose (Bulk)	AR
33	1515337	Seal	AR
34	1393463	Seal	AR
35	1598410	Lever	1
36	1598406		
	4070545	Handle	1
37	4070546	Screw	2
38	1593629	Key (For Cab Door Grip)	1
39	1506825	Strap Clamp	1
40	1598409	Bar	1
41	1598408	Nut	2
42	1598412	Latch (RH)	1
43	4093489		
	320156	Washer	4
44	302047	Screw	4
	a 1558294	Seal	AR
	a 292667	Nut	1

FOOTNOTES:

- a Not Illustrated

MODULAR CAB WITH STEEL DOORS (FIGURE 1-41) WINDOW — LH DOOR

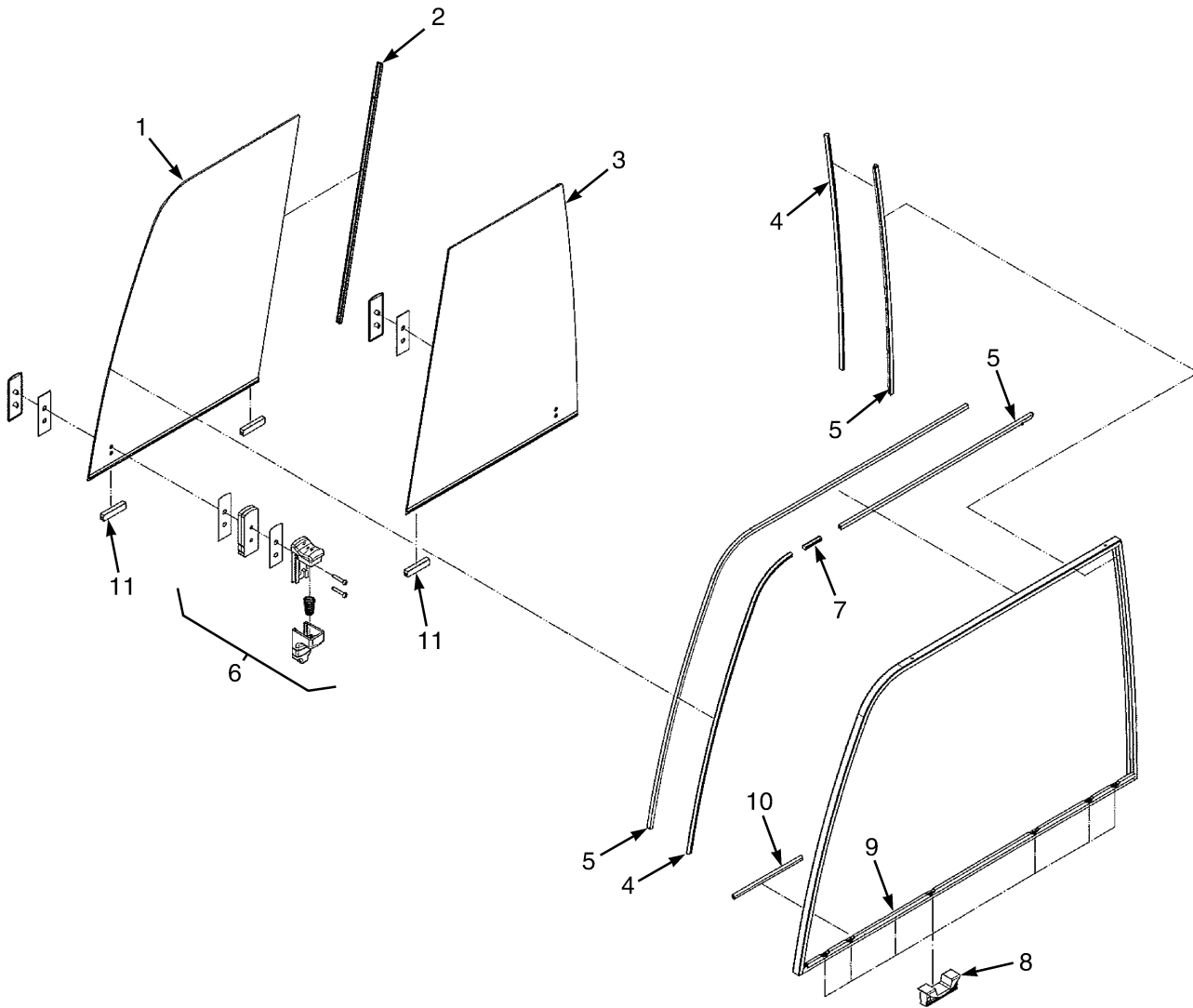


HP121451

**MODULAR CAB WITH STEEL DOORS
WINDOW – LH DOOR**

ITEM	PART NO.	DESCRIPTION	QTY
	1623404	Sliding Window (LH Door)	1
1	1644804	Seal	AR
2	4009783	Seal	AR
3	1641640	Strip Seal	AR
4	4013618	Sliding Window (Rear)	1
4	4028788	Rear Window	1
4	4028789	Edge Protector	1
5	4009782	Guide	4
6	4013616	Window Frame	1
7	1690792	Channel (Sealing Bar)	1
8	4013617	Sliding Window (Front)	1
9	4013559	Latch (With Screws) (Mounted from Inside)	1
10	4009779	Clip	3
11	1498336	Edge Protector	AR

MODULAR CAB WITH STEEL DOORS (FIGURE 1-42) WINDOW — RH DOOR

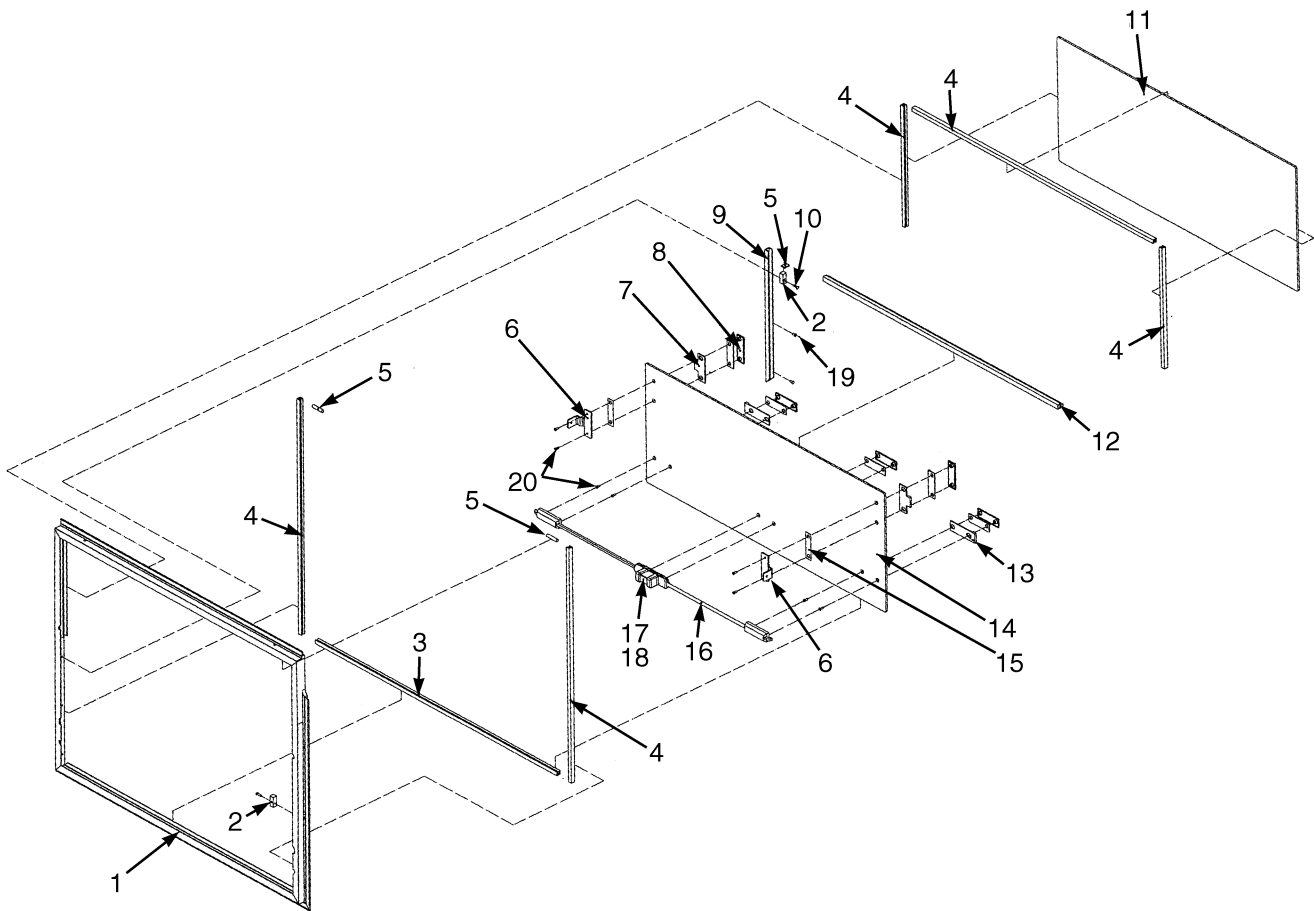


BP200204

**MODULAR CAB WITH STEEL DOORS
WINDOW – RH DOOR**

ITEM	PART NO.	DESCRIPTION	QTY
	1623392	Sliding Window	1
1	4026695	Sliding Window (Front)	1
2	1690792	Channel	1
3	4028787	Sliding Window (Rear)	1
4	4009783	Seal	AR
5	1644804	Seal	AR
6	4013559	Latch (With Screws) (Mounted from Inside)	1
7	1641640	Strip Seal	AR
8	4009779	Clip	3
9	4013619	Window Frame (RH)	1
10	1498336	Edge Protector	AR
11	4009782	Guide	4

MODULAR CAB WITH STEEL DOORS (FIGURE 1-43) SLIDING REAR WINDOW

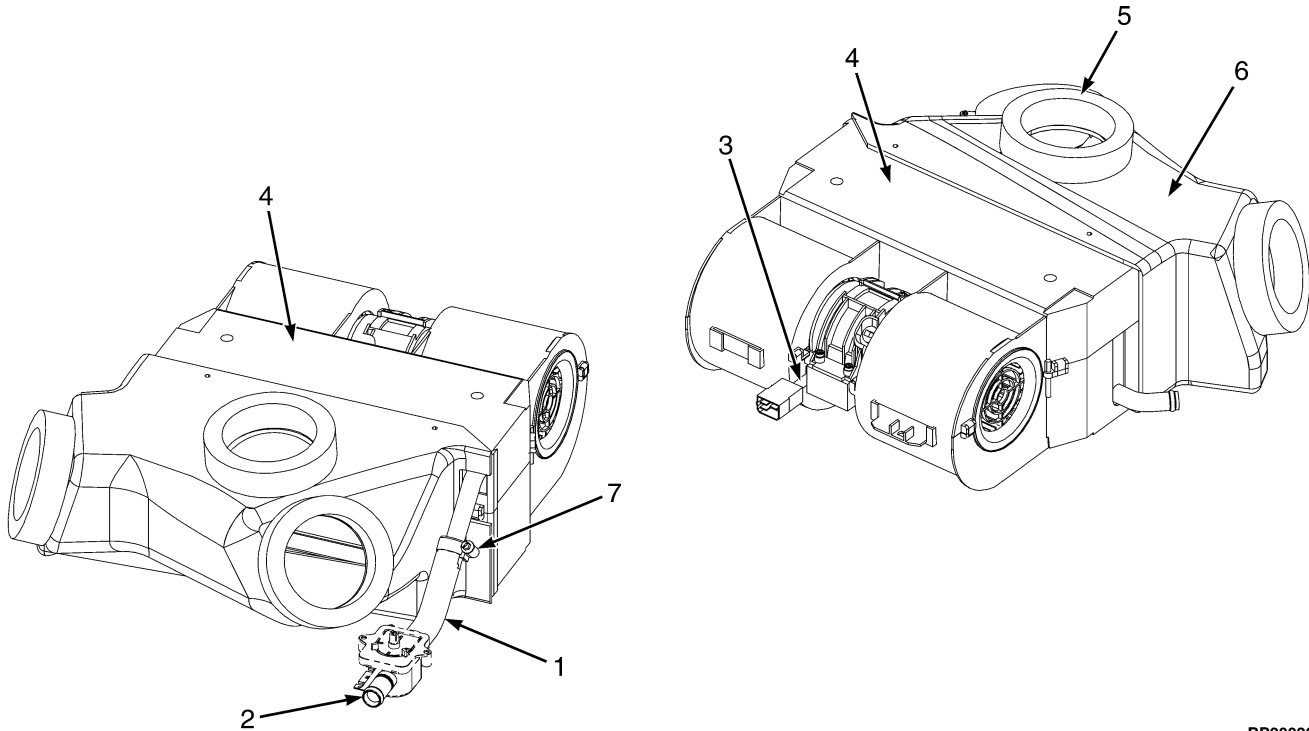


BP120365

**MODULAR CAB WITH STEEL DOORS
SLIDING REAR WINDOW**

ITEM	PART NO.	DESCRIPTION	QTY
	1623365	Sliding Window	1
1	1670524	Frame	1
2	1670443	Bushing	2
3	1670519	Guide	1
4	1641637	Seal	AR
5	1641640	Strip Seal	AR
6	1670427	Stop	2
7	1670428	Pad	2
8	1670429	Plate	2
9	1670525	Rail	1
10	1670421	Screw	2
11	1670520	Glass (Rear)	1
12	1670526	Seal	1
13	1670423	Pad	2
14	1670521	Glass (Sliding)	1
15	1670440	Pad	2
16	1670518	Bar	2
17	1615998	Latch (Contains one center, two end latches and springs)	1
18	1615999	Spring	2
19	1670422	Screw	2
20	1670430	Screw	8

MODULAR CAB WITH STEEL DOORS (FIGURE 1-44) HEATER — WITHOUT AIR CONDITIONING



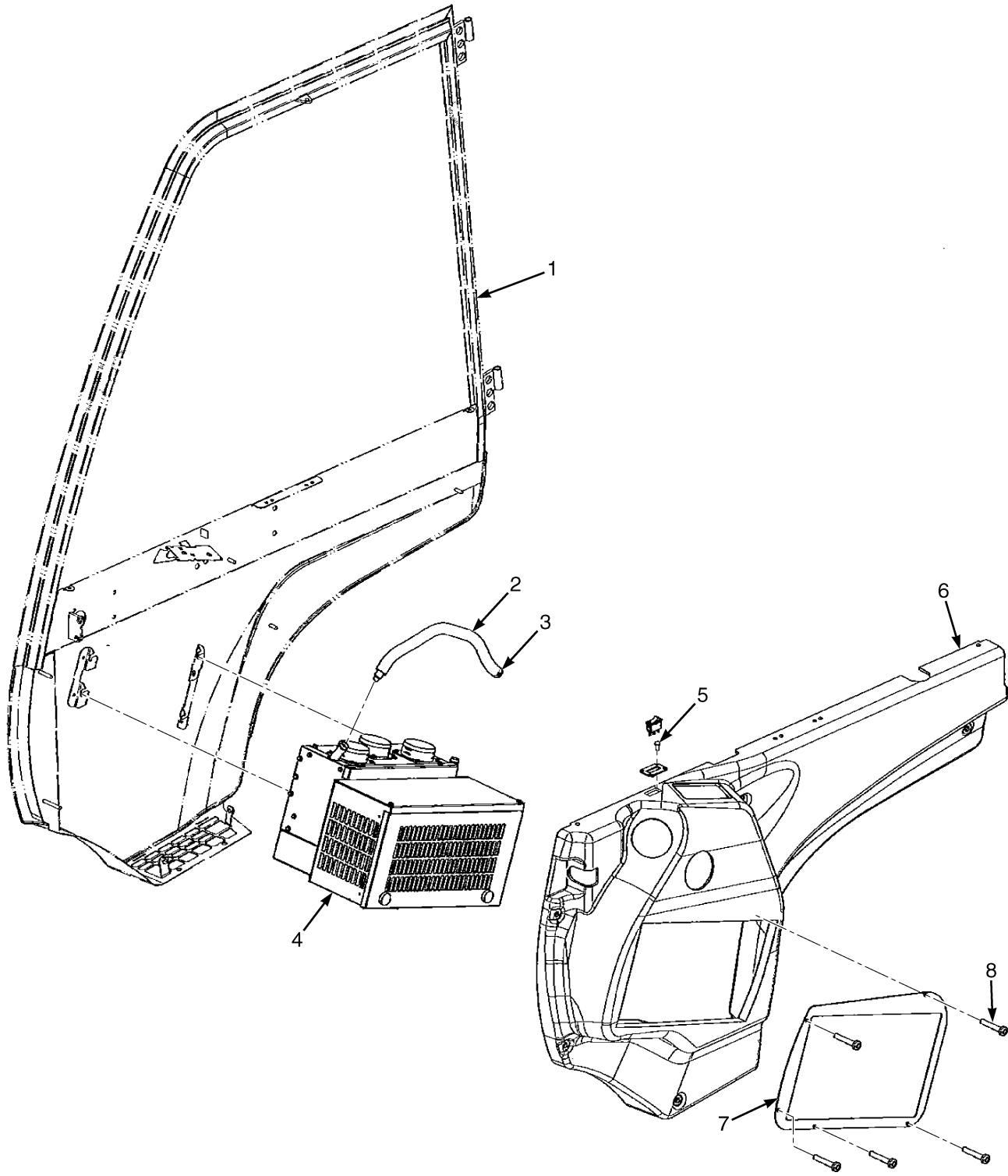
BP200202

ITEM	PART NO.	DESCRIPTION	QTY
	1598404	Heater Assembly (Sub Assembly)	1
1	1598674	Hose	AR
2	1598672	Valve (Water)	1
3	1598671	Wire Harness	1
4	1598675	Heater	1
4	4066968	Heater	1
4	4066969	Fan	1
4	1560643	Clamp	1
4	4066970	Resistor	1
4	4066971	Heat Exchanger	1
5	4066966	Valve	3
6	4066964	Vent	1
7	4066967	Clamp	2
a	4066965	Valve	1
a	1598673	Switch (Blower)	1
a	1623402	Clip (Hose Clamp)	2

FOOTNOTES:

a Not Illustrated

MODULAR CAB WITH STEEL DOORS (FIGURE 1-45) RIGHT HAND DOOR AND AIR CONDITIONER ASSEMBLY

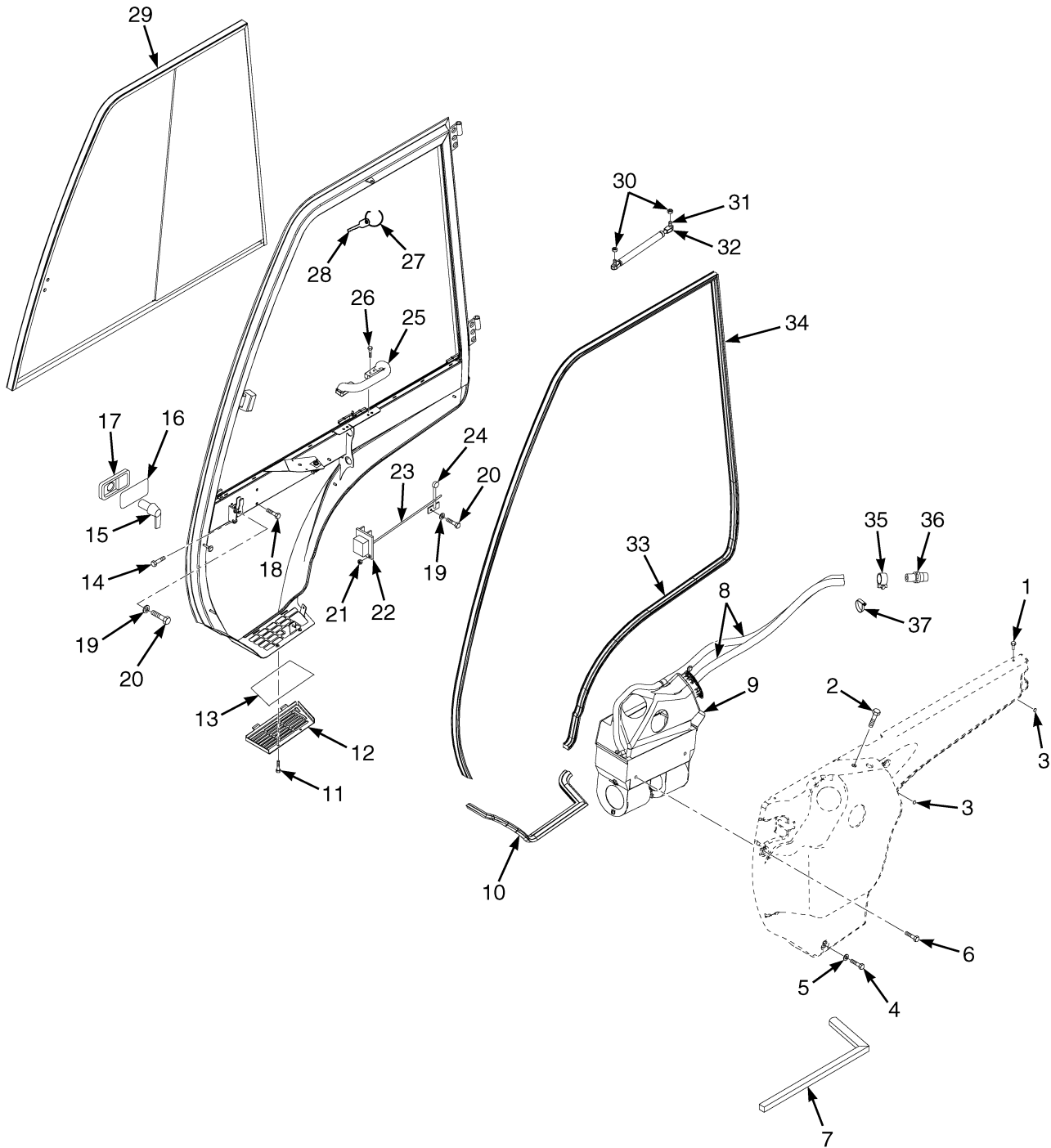


BP200129

**MODULAR CAB WITH STEEL DOORS
RIGHT HAND DOOR AND AIR CONDITIONER ASSEMBLY**

ITEM	PART NO.	DESCRIPTION	QTY
1	4014295	Door (RH)	1
2	1598674	Hose	1
3	1623402	Clip (Hose Clamp)	2
4	4044151	Air Conditioner (☞Figure 1-47).....	1
5	1701963	Nut	4
6	4017718	Panel (Door Trim)	1
7	4045698	Cover	1
8	4045699	Screw	5

MODULAR CAB WITH STEEL DOORS (FIGURE 1-46) RIGHT HAND DOOR ASSEMBLY — WITH AIR CONDITIONING



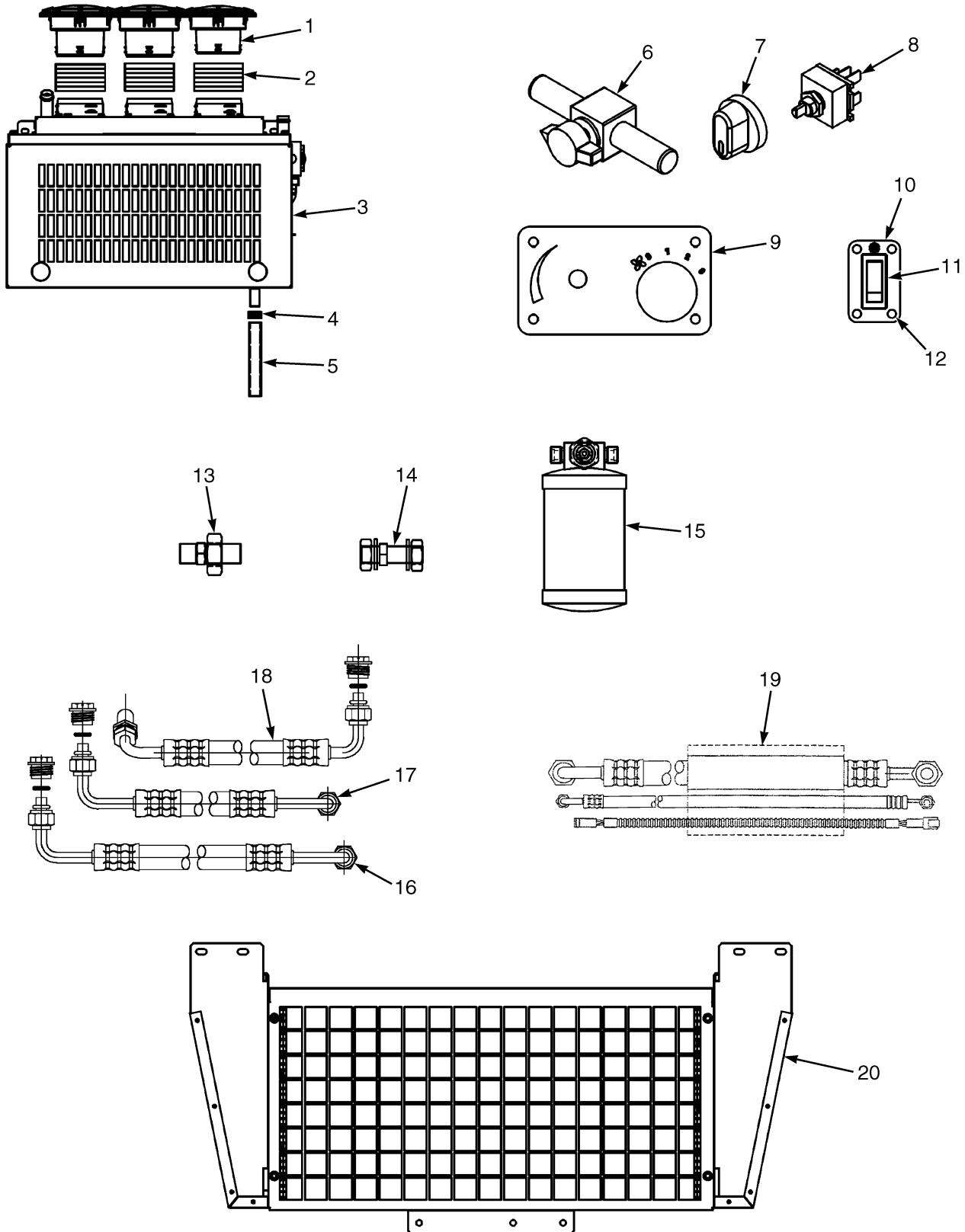
BP200216

MODULAR CAB WITH STEEL DOORS
RIGHT HAND DOOR ASSEMBLY – WITH AIR CONDITIONING

ITEM	PART NO.	DESCRIPTION	QTY
	4014295	Door (RH)	1
1	1623406	Plug	2
2	1468318	Screw	4
3	1651739	Rivet	2
4	1623395	Capscrew	2
5	320158	Washer	2
6	1598389	Fastener	3
7	1508229	Seal	AR
8	1623400	Hose (Bulk)	AR
9	Heater Assembly	1
10	1623391	Seal	AR
11	1598399	Screw	2
12	1623398	Bracket	1
13	1623399	Air Filter	1
14	296229	Capscrew	2
15	1598411	Lever	1
16	4070544	Seal	1
17	1598393	Grip (Without Key)	1
18	1623393	Capscrew	2
19	4093489		
	320156	Washer	4
20	302047	Screw	4
21	1598408	Nut	2
22	1598412	Latch (RH)	1
23	1598409	Bar	1
24	1598410	Lever	1
25	1598406		
	4070545	Handle	1
26	4070546	Screw	1
27	1506825	Strap Clamp	1
28	1593629	Key (For Cab Door Grip)	1
29	1623392	Sliding Window (RH)	1
30	316835	Nut	2
31	1393472	Ball Stud	2
32	1598414	Gas Spring	1
33	1515337	Seal	AR
34	1393463	Seal	AR
35	1674073	Clamp	4
36	1598670	Fitting (Male)	2
37	1393499	Clamp	1
	a 1558294	Seal	AR
	a 292667	Nut	1

FOOTNOTES:**a** Not Illustrated

MODULAR CAB WITH STEEL DOORS (FIGURE 1-47) AIR CONDITIONER COMPONENTS

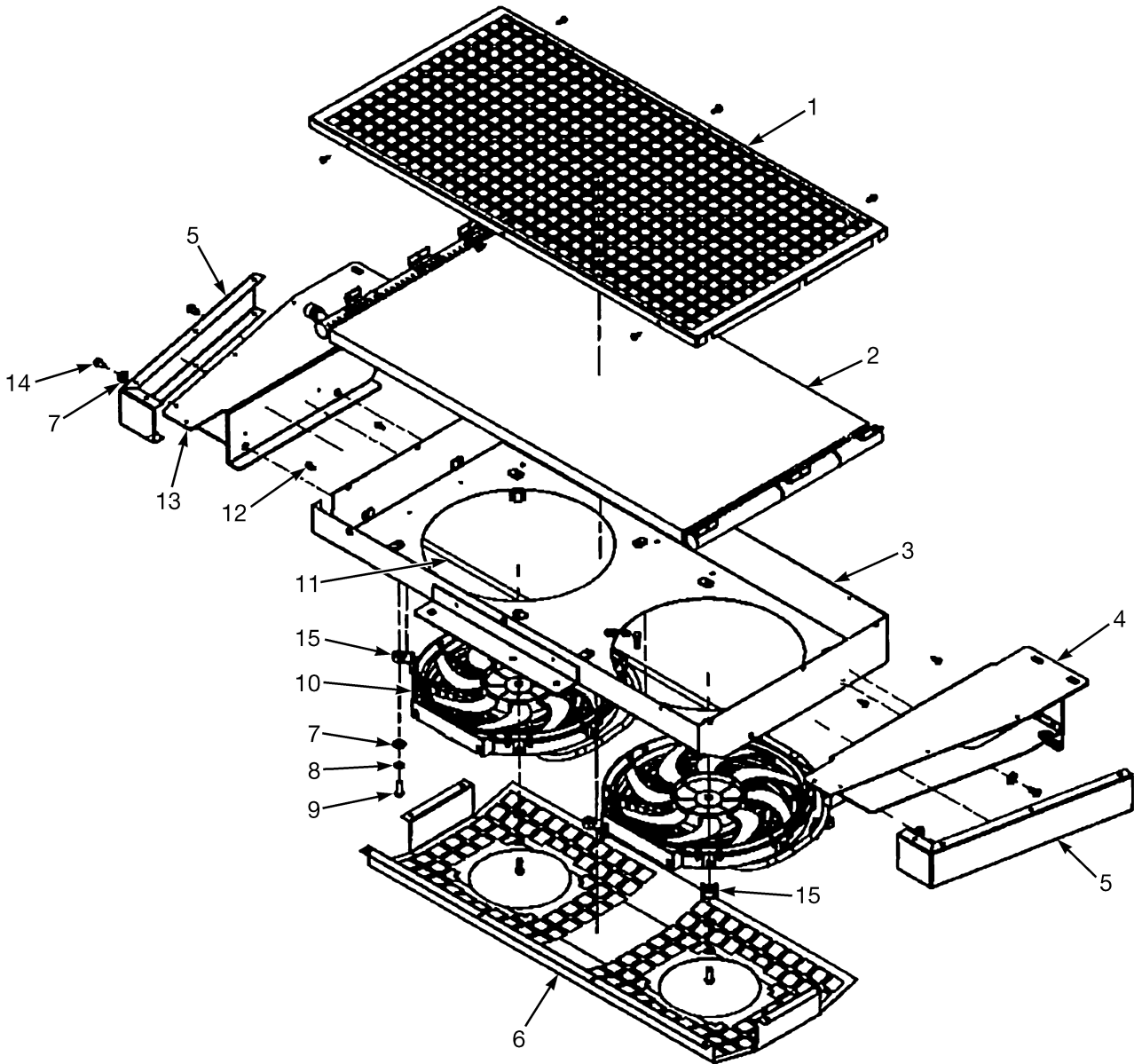


BP121162

**MODULAR CAB WITH STEEL DOORS
AIR CONDITIONER COMPONENTS**

ITEM	PART NO.	DESCRIPTION	QTY
	4044151	Air Conditioner	1
1	4004150	Louver	3
2	4044165	Hose (Air)	3
3	4044152		
	4132980	Heater	1
4	4044153	Clamp (Tube)	2
5	4044154	Tube (PVC)	2
6	4004164		
	4044163	Valve (Water)	1
7	1487957	Knob	1
8	1487956	Switch , Blower (with Nut)	1
9	4004163	Panel (Plate)	1
10	4004167	Panel (Display)	1
11	4004168	Switch	1
12	4044164	Screw	8
13	4044160	Fitting	1
14	4044161	Fitting	1
15	4044162	Air Conditioner (Receiver/Dryer)	1
16	4044159	Hose Assy	1
17	4044158	Hose Assy	1
18	4044157	Hose Assy	1
19	4044156	Hose (Harness Bundle)	1
20	4044155	Condenser Assembly (☞ Figure 1-48).....	1

CONDENSER ASSEMBLY (FIGURE 1-48)



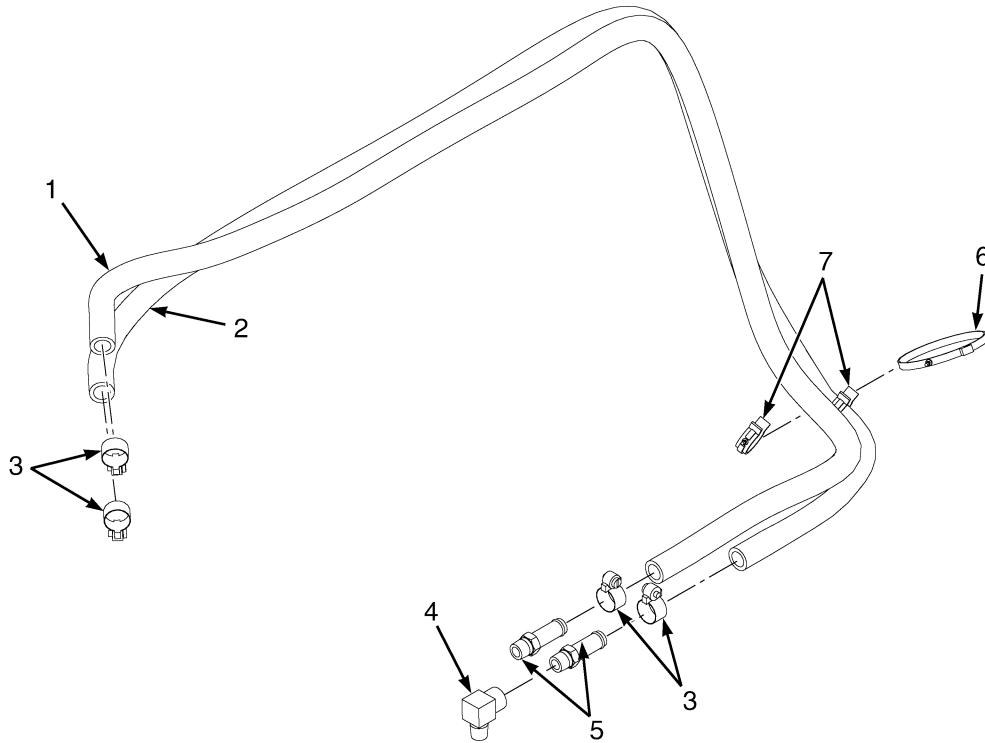
BP200184

CONDENSER ASSEMBLY

ITEM	PART NO.	DESCRIPTION	QTY
	4044155	Condenser Assembly	1
1	4050750	Cover	1
2	4003079	Condenser (Coil)	1
3	Housing	1
4	Bracket (RH)	1
5	4002494	End Cover	2
6	4002495	Cover	1
7	Washer	13
8	Lockwasher	9
9	Bolt	9
10	4050754	Fan	2
11	Wire Harness	1
12	Screw	23
13	Bracket (LH)	1
14	Bolt	4
15	4050752	Fan Mount	8
	a 4007210	Wire Harness (Work Light)	1
	a 4007211	Wire Harness (Strobe)	1

FOOTNOTES:**a** Not Illustrated

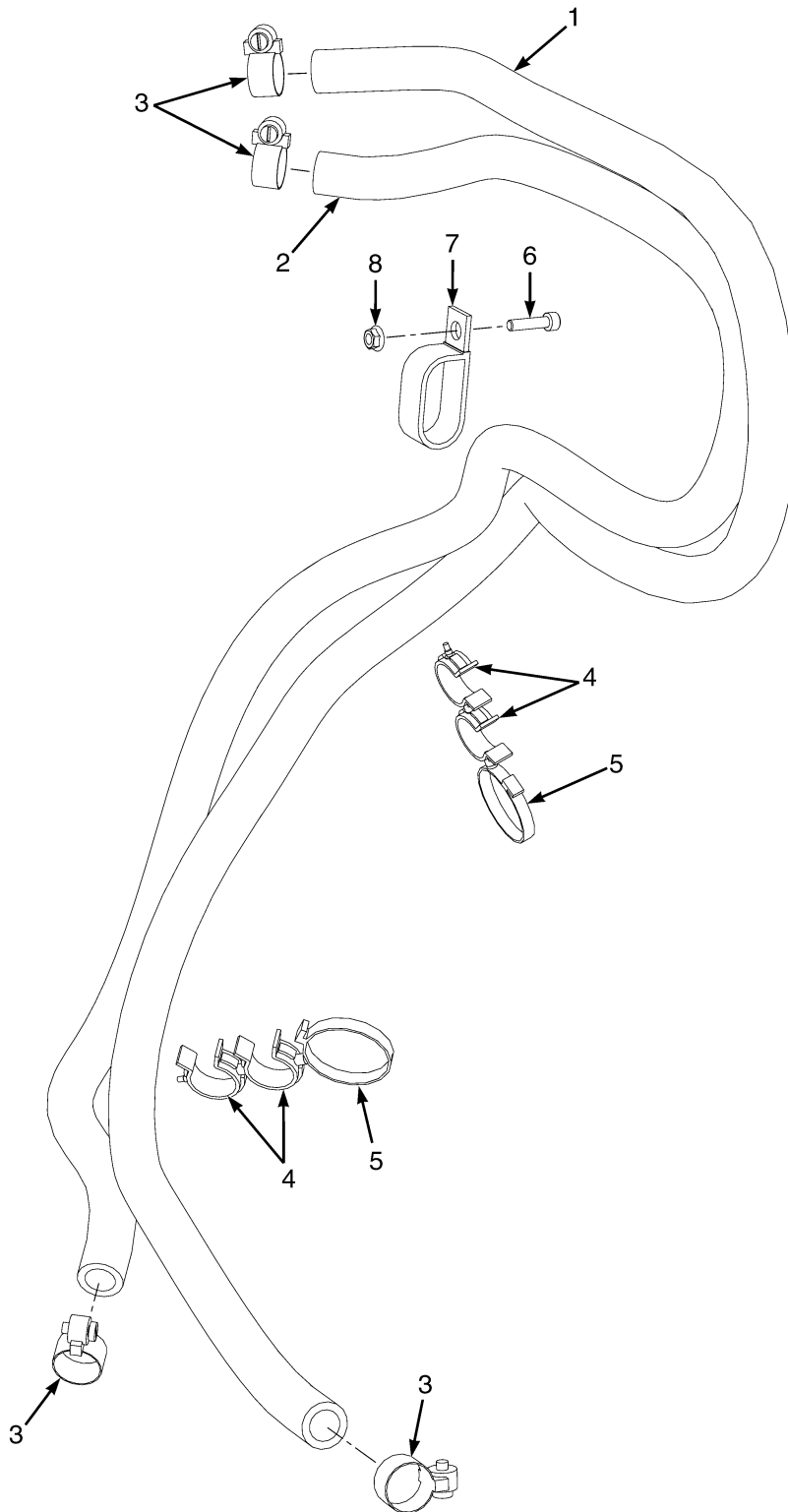
HEATER HOSE FOR MODULAR CAB (FIGURE 1-49) WITH DIESEL ENGINE



BP120883

ITEM	PART NO.	DESCRIPTION	QTY
1	4613973	Hose	1
2	4613972	Hose	1
3	130845	Clamp	4
4	16143	Fitting	1
5	138710	Fitting	2
6	1502061	Clamp	1
7	1569465	Clamp (Swivel)	2
	246108	Sealant	AR

HEATER HOSE FOR MODULAR CAB (FIGURE 1-50) WITH LPG ENGINE

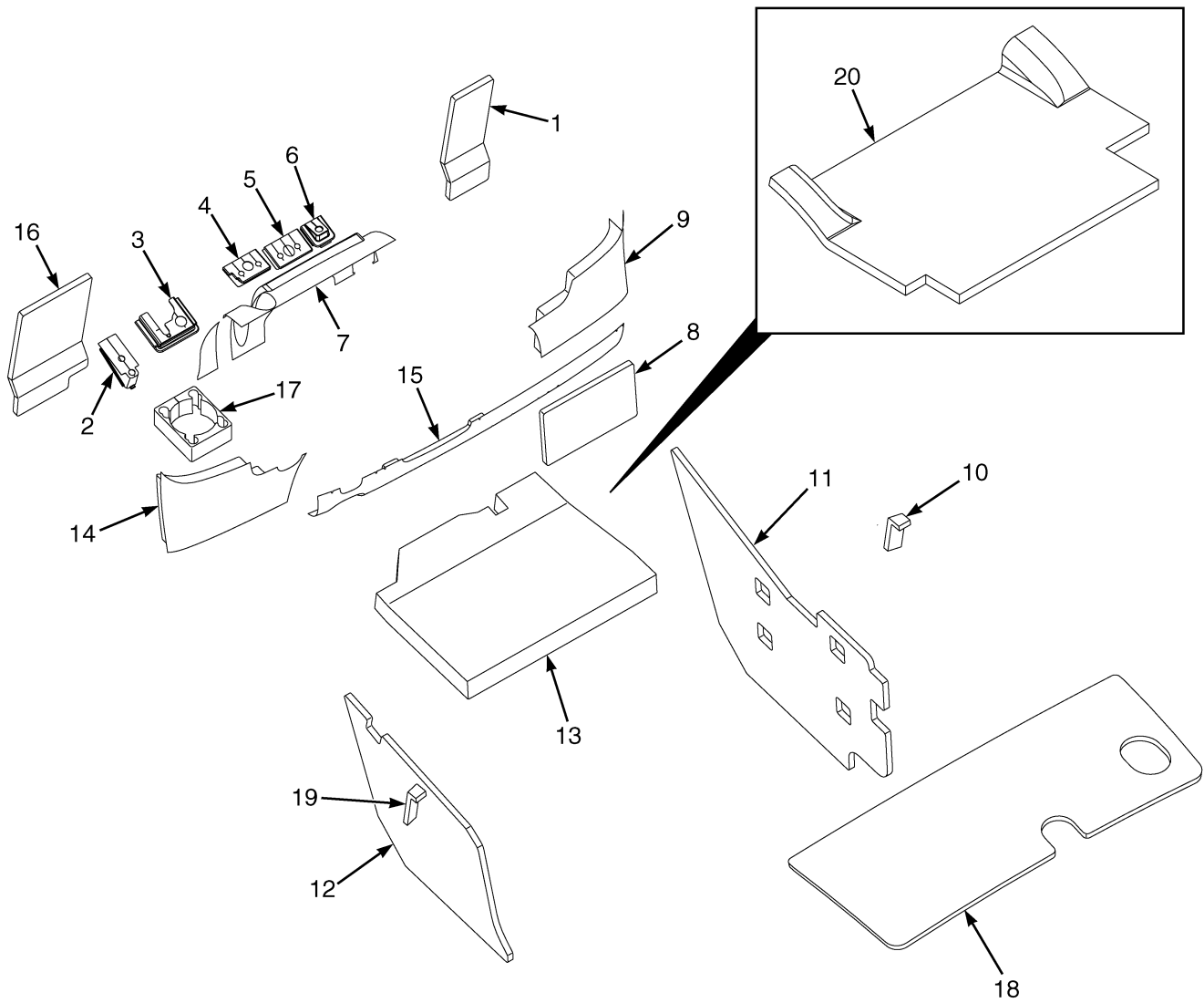


BP121063

**HEATER HOSE FOR MODULAR CAB
WITH LPG ENGINE**

ITEM	PART NO.	DESCRIPTION	QTY
1	2071001	Hose (Heater)	1
1	4616429	Hose (Conduit)	1
2	4615668	Hose (Heater)	1
3	130845	Clamp	4
4	1569465	Clamp (Swivel)	4
5	1502061	Clamp	2
6	293796	Capscrew	1
7	251994	Clamp	1
8	1514429	Nut	1

SOUND ABATEMENT (FIGURE 1-51) WITH CAB



BP060122

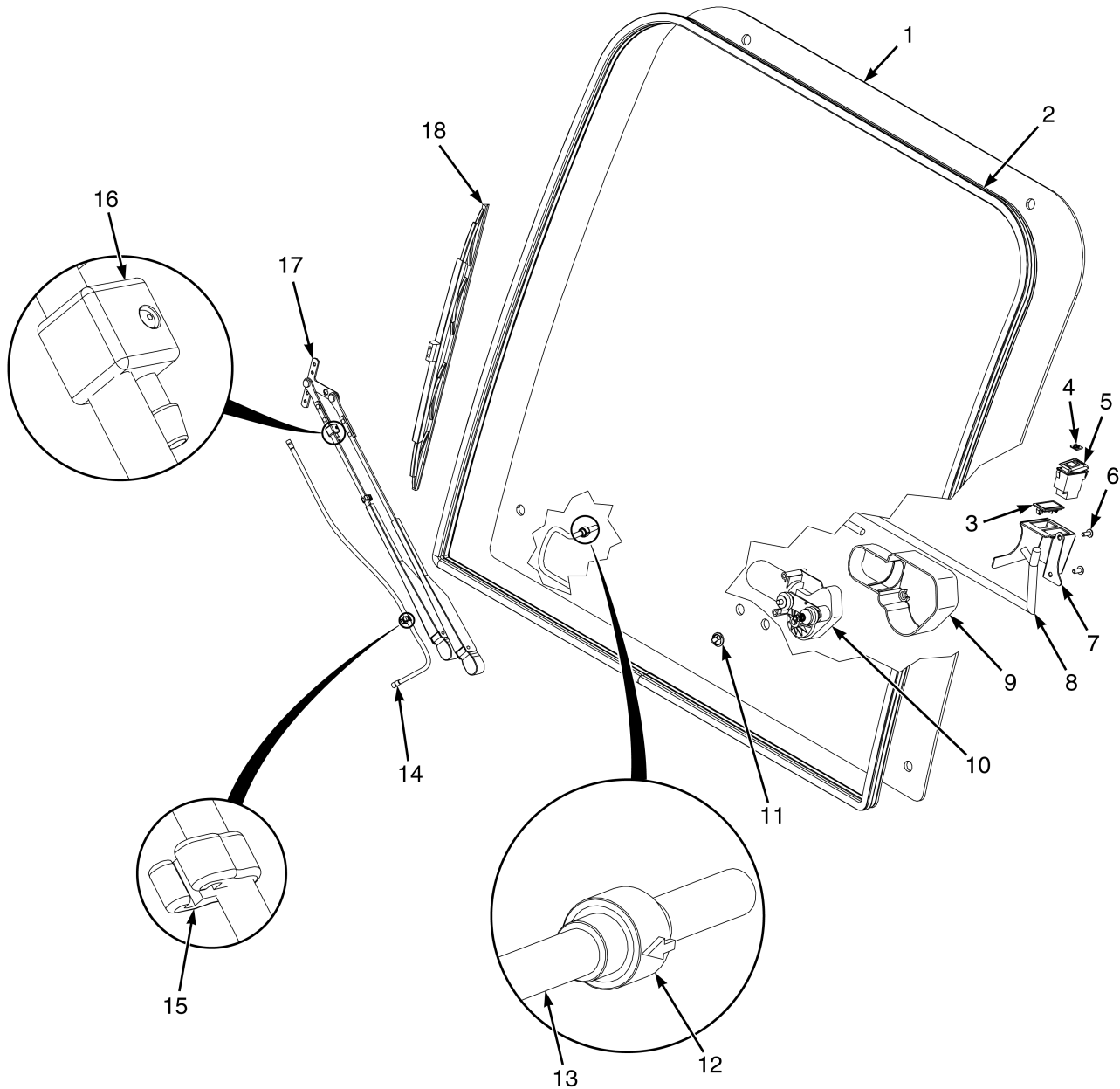
**SOUND ABATEMENT
WITH CAB**

ITEM	PART NO.	DESCRIPTION	QTY
1	a 1616485	Sound Liner	1
2	cd 2076134	Seal	1
3	cd 2065797	Seal	1
4	c 2065827	Seal (With E-Hydraulics)	1
4	d 2096902	Seal (With Manual Hydraulics)	1
5	c 2065826	Seal (With E-Hydraulics)	1
5	d 2096903	Seal (With Manual Hydraulics)	1
6	cd 2069464	Seal	1
7	a 1616482	Sound Liner (Foam)	1
8	a 1616484	Sound Liner	1
9	a 1617081	Sound Liner (Foam) (RH)	1
10	1596624	Seal (RH)	1
11	a 1683673	Sound Liner (Foam) (RH)	1
12	a 4029340	Sound Liner (LH)	1
13	f 1682828	Sound Liner	1
14	a 1617082	Sound Liner (Dash) (LH)	1
15	1616483	Sound Liner	1
16	a 1617193	Sound Liner	1
17	b 4050230	Seal (Foam)	1
18	1617194	Sound Liner (Radiator Cover)	1
19	1596625	Seal (LH)	1
20	e 1708351	Liner (Transmission)	1

FOOTNOTES:

- | | |
|--|---|
| a Dash, Floorplate, and Frame Liners | d Manual Hydraulics With Operator Presence |
| b Diesel Only | e With Low Noise |
| c E-Hydraulics With Operator Presence | f With VDP, Overhead Guard and GM LPG |

BOLT ON CAB WITH STANDARD (HIGH) OVERHEAD GUARD (FIGURE 1-52) FRONT SCREEN WITH WIPER/WASHER — PAGE 1 OF 2

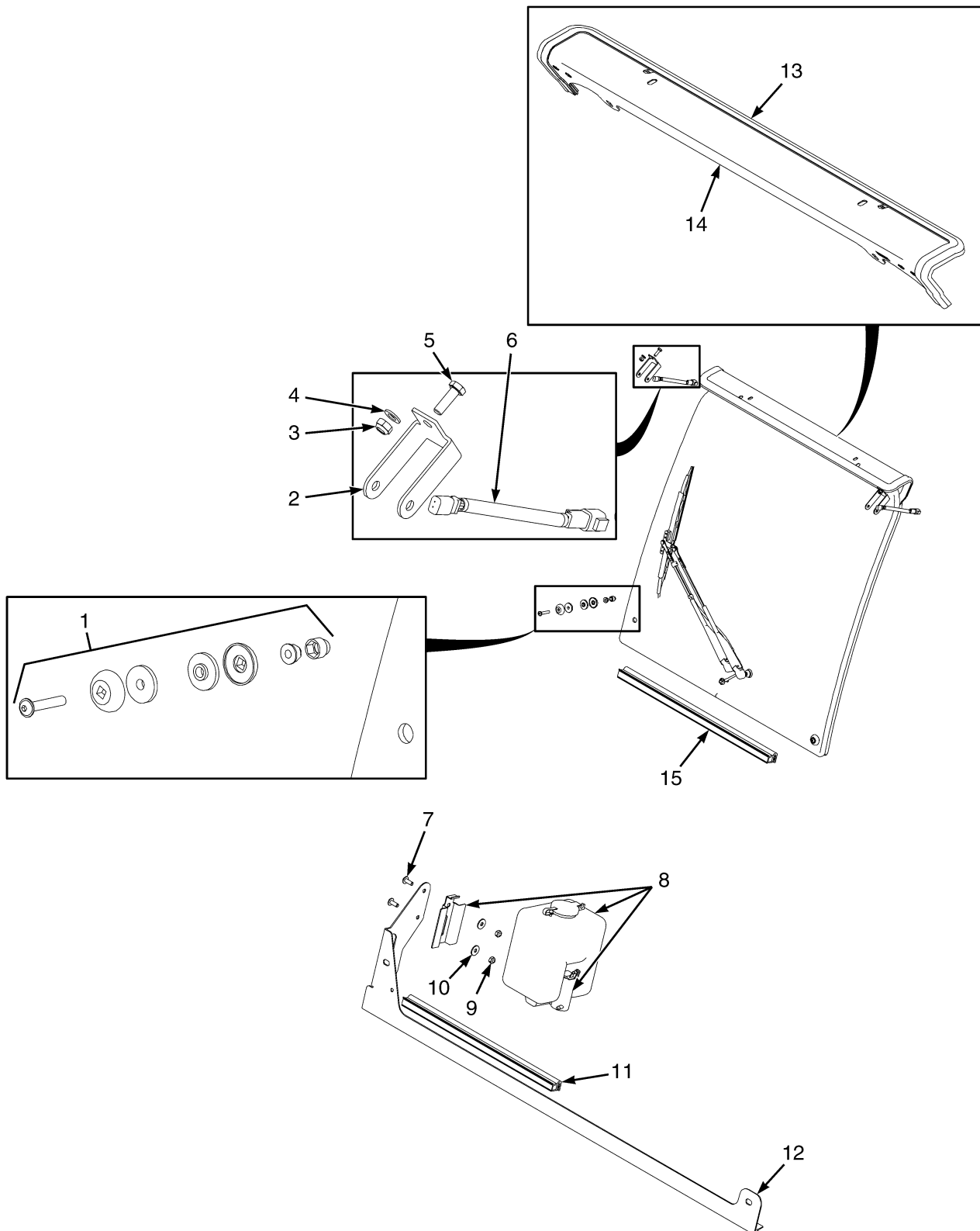


BP000870

**BOLT ON CAB WITH STANDARD (HIGH) OVERHEAD GUARD
FRONT SCREEN WITH WIPER/WASHER – PAGE 1 OF 2**

ITEM	PART NO.	DESCRIPTION	QTY
	4092603	Kit-Front Screen With Wipers	1
1	4108773	Window	1
2	4108774	Seal (4195mm)	1
3	4108725	Plug	1
4	4108724	Label Wiper/Washer	1
5	4108723	Switch	1
6	4108709	Capscrew	2
7	4108722	Housing	1
8	4108738	Wire Harness (Main)	1
9	4108721	Cover	1
10	4108718	Wiper Motor	1
11	4108726	Connector for Spray Hose (Elbow Fitting)	1
12	4108731	Valve (Non Return)	1
13	4108775	Hose (800mm)	1
14	4108727	Hose (500mm)	1
15	4108728	Clip	1
16	4108729	Window Washer (Spray Nozzle)	1
17	4108719	Wiper Arm	1
18	4108720	Wiper Blade	1

BOLT ON CAB WITH STANDARD (HIGH) OVERHEAD GUARD (FIGURE 1-53) FRONT SCREEN WITH WIPER/WASHER — PAGE 2 OF 2

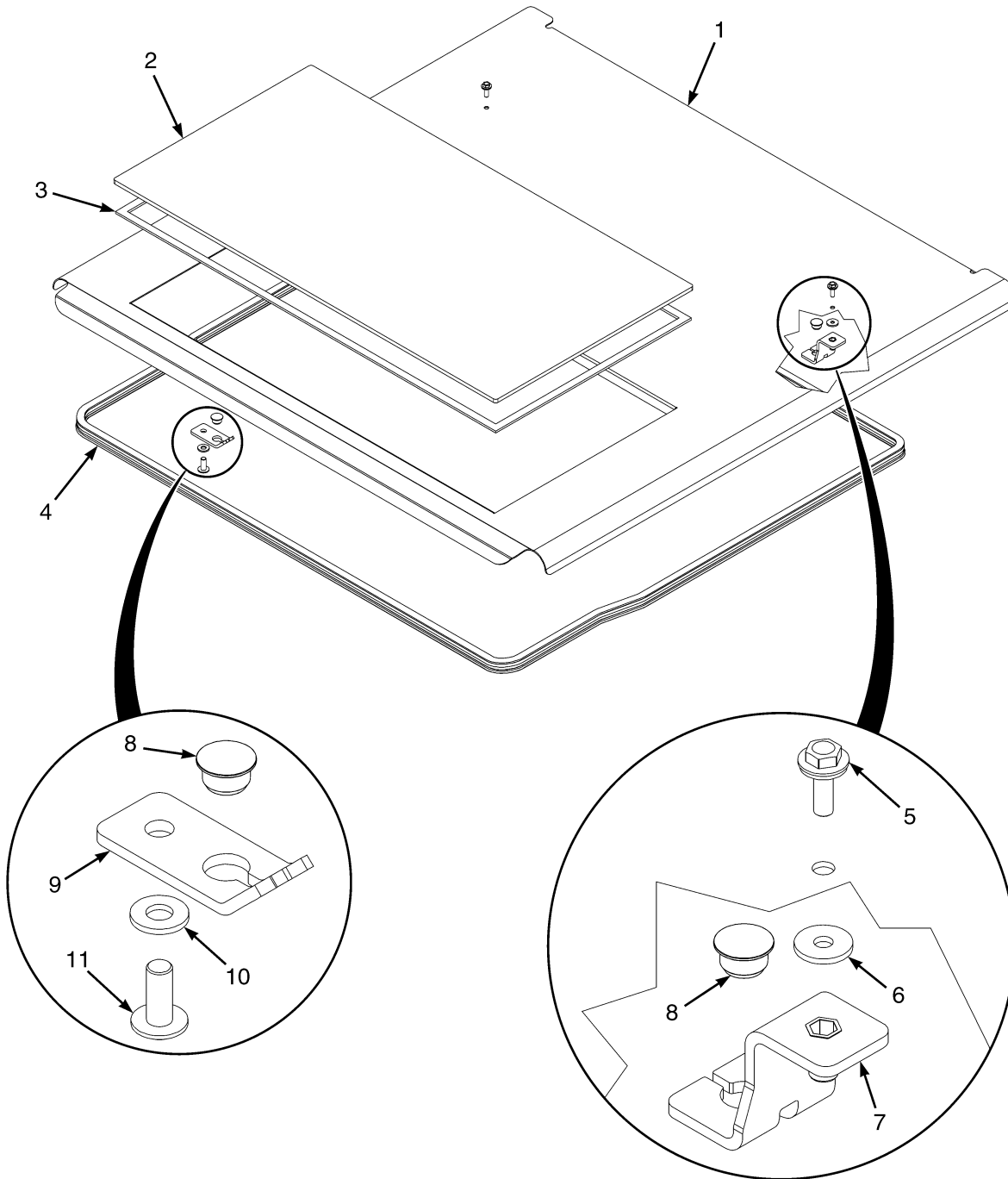


BP000871

**BOLT ON CAB WITH STANDARD (HIGH) OVERHEAD GUARD
FRONT SCREEN WITH WIPER/WASHER – PAGE 2 OF 2**

ITEM	PART NO.	DESCRIPTION	QTY
	4092603	Kit-Front Screen With Wipers	1
1	4108737	Kit Window Mounting Bolt	4
2	4108736	Bracket (Front Light)	2
3	4108735		
	4116826	Nut	2
4	4108734	Washer	2
5	4108733	Capscrew	2
6	4108739	Wire Harness (Light Jumper)	2
7	4108709	Capscrew	2
8	4108712	Window Washer Bottle Assembly with Pump	1
9	4108711	Nut	2
10	4108710	Washer	2
11	4109479	Seal (450mm)	1
12	4108770	Window Frame (Bottom Crossmember)	1
13	4108772	Seal (1518mm)	1
14	4108771	Window Frame (Top Crossmember)	1
15	4116835	Seal (1200mm)	1

BOLT ON CAB WITH STANDARD (HIGH) OVERHEAD GUARD (FIGURE 1-54) TOP SCREEN

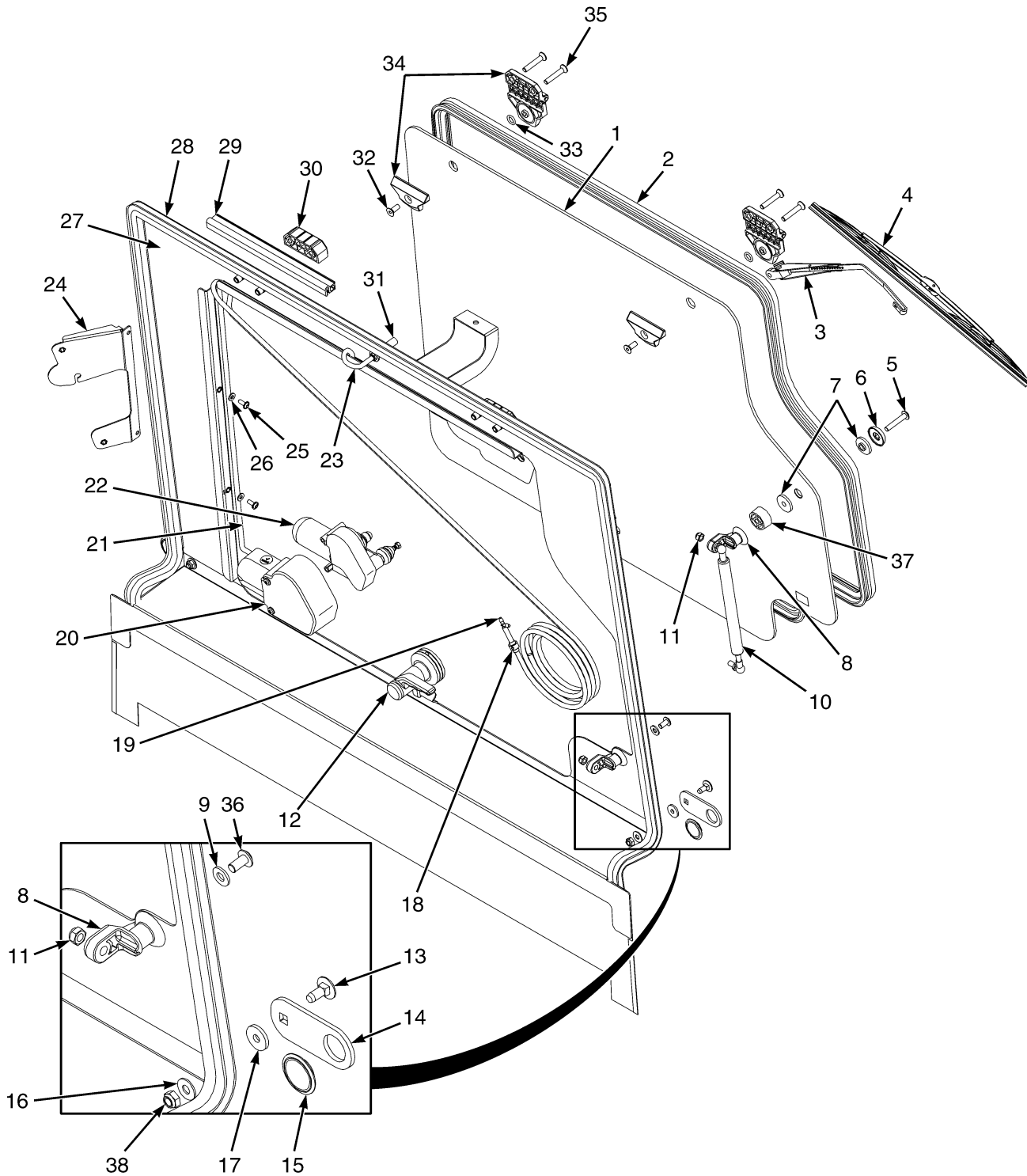


BP000872

**BOLT ON CAB WITH STANDARD (HIGH) OVERHEAD GUARD
TOP SCREEN**

ITEM	PART NO.	DESCRIPTION	QTY
	4092600	Kit-Top Screen	1
1	4108776	Frame (Window Top)	1
2	4108697	Window (Top)	1
3	4108698	Kit-Glue	1
4	4108777	Seal (3915mm)	1
5	4108705	Capscrew	2
6	4108704	Washer	2
7	4108703	Bracket Assembly (Roof Rear)	2
8	4108706	Cap	4
9	4108700	Bracket (Roof Front)	2
10	4108701	Washer	2
11	4108702	Capscrew	2

BOLT ON CAB WITH STANDARD (HIGH) OVERHEAD GUARD (FIGURE 1-55) REAR SCREEN WITH WIPER/WASHER — PAGE 1 OF 2



BP121289

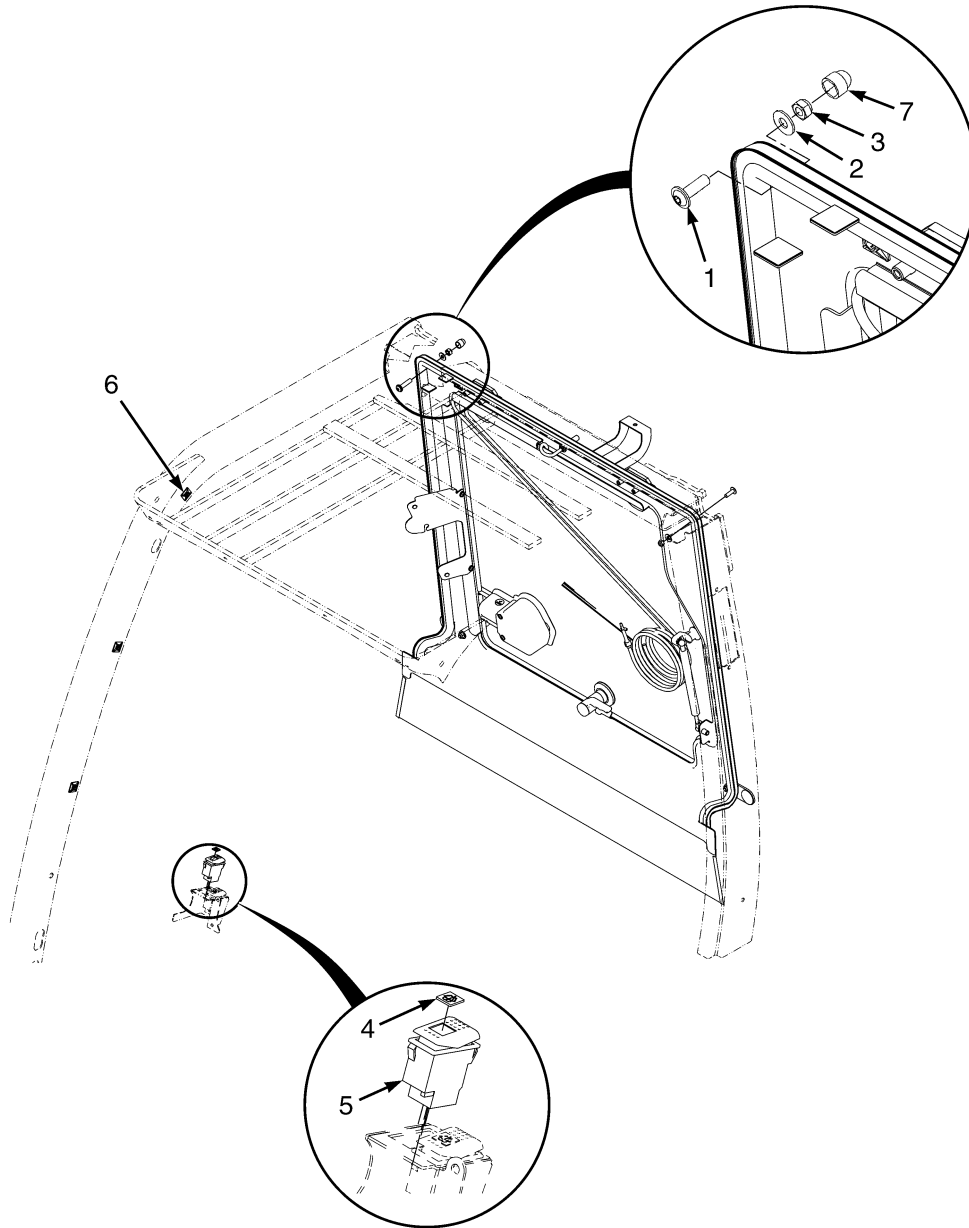
**BOLT ON CAB WITH STANDARD (HIGH) OVERHEAD GUARD
REAR SCREEN WITH WIPER/WASHER – PAGE 1 OF 2**

ITEM	PART NO.	DESCRIPTION	QTY
	4092601	Kit-Rear Screen With Wipers	1
	4119706	Kit-Rear Screen Steel/Glass For High Overhead Guard with Jumper Harness	1
1	4109472	Rear Window	1
2	4109473	Seal (3228mm)	1
3	4108759	Wiper Arm	1
4	4108760	Wiper Blade	1
5	4108757	Capscrew	1
6	4108756	Washer	1
7	4108755	Washer	2
8	4108754	Bracket	2
9	4108701	Washer	1
10	4108753	Gas Spring	1
11	4108735		
	4116826	Nut	2
12	4108758	Handle	1
13	4108745	Bolt	2
14	4108743	Plate	2
15	4108746	Cap	2
16	4108732	Washer	4
17	4108744	Spacer	2
18	4108731	Valve (Non Return)	1
19	4108766	Fitting (T-Piece)	1
20	4108721	Cover	1
21	4108767	Wire Harness (Rear)	1
21	4141717	Wire Harness (Rear) (Alternate Part)	1
22	4108718	Wiper Motor	1
23	4108765	Hose (2550mm)	1
24	4108761	Bracket (Handle)	1
25	4108762	Washer	2
26	4108709	Capscrew	2
27	4109470	Window Frame (Rear)	1
28	4109471	Seal (2930mm)	1
29	4108763	Seal (280mm)	1
30	4108749	Spacer	1
31	4108742	Window Washer (Spray Nozzle)	1
32	4116825	Capscrew	2
33	4108752	O-Ring	2
34	4108750	Hinge	2
35	4108751	Capscrew	4
36	4109474	Capscrew	1
37	4109475	Spacer	1
38	4108735		
	4116826	Nut	2
	a 4141716	Grommet	1
	a 4126305	Wire Harness (Front/Rear Jumper)	1

FOOTNOTES:

a Not Illustrated

BOLT ON CAB WITH STANDARD (HIGH) OVERHEAD GUARD (FIGURE 1-56) REAR SCREEN WITH WIPER/WASHER — PAGE 2 OF 2

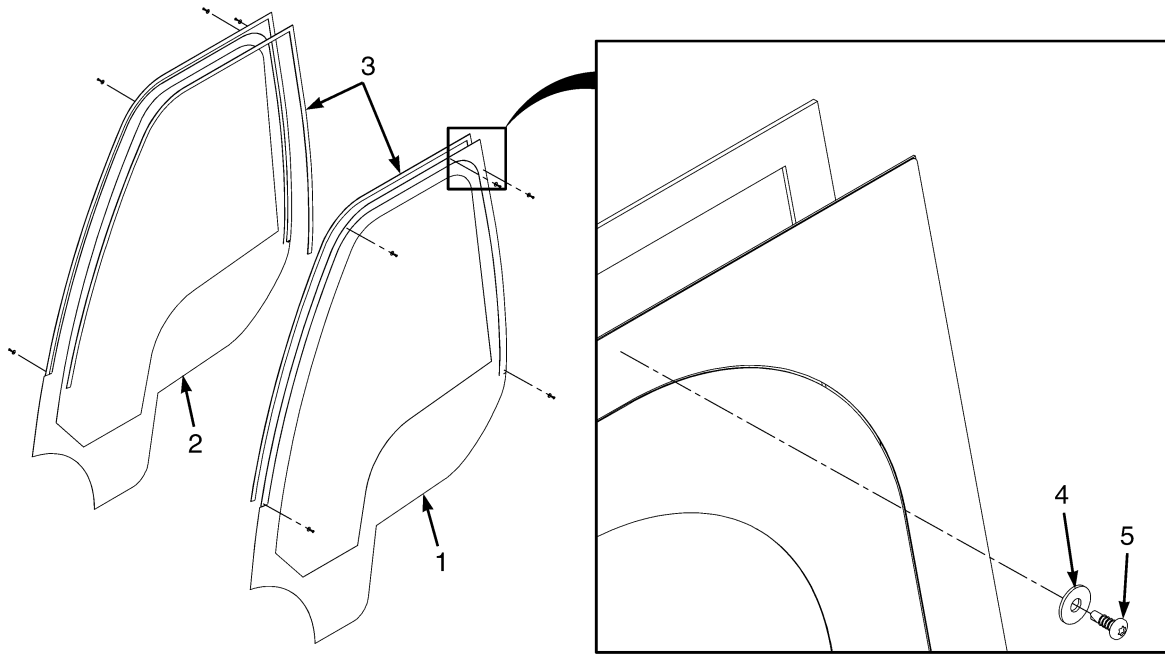


BP000875

**BOLT ON CAB WITH STANDARD (HIGH) OVERHEAD GUARD
REAR SCREEN WITH WIPER/WASHER – PAGE 2 OF 2**

ITEM	PART NO.	DESCRIPTION	QTY
	4092601	Kit-Rear Screen With Wipers	1
	4119706	Kit-Rear Screen Steel/Glass For High Overhead Guard with Jumper Harness	1
1	4108768	Capscrew	2
2	4108732	Washer	2
3	4108735		
	4116826	Nut	2
4	4108724	Label Wiper/Washer	1
5	4108723	Switch	1
6	4108769	Holder (Stick-On)	6
7	4112651	Cover	2

BOLT ON CAB WITH STANDARD (HIGH) OVERHEAD GUARD (FIGURE 1-57) PVC DOORS



BP000873

ITEM	PART NO.	DESCRIPTION	QTY
	4092602	Kit-Door (PVC RH and LH For High Overhead Guard)	1
1	4109476	Door Pvc (LH)	1
2	4109477	Door Pvc (RH)	1
3	4109478	Seal (Velcro 2900mm)	2
4	4108694	Washer	10
5	4108695	Screw	10

2

ENGINE ASSEMBLY - DIESEL

SECTION 2 ENGINE ASSEMBLY - DIESEL

DESCRIPTION	PAGE
ALTERNATOR AND PULLEY	
KUBOTA DIESEL	2-95
BREATHER AND SEPARATOR PIPES	
KUBOTA DIESEL - 3.8L	2-84
CAMSHAFT AND IDLE GEAR SHAFT	
KUBOTA DIESEL - 3.6L	2-92
KUBOTA DIESEL - 3.8L	2-93
COMPRESSOR ASSEMBLY AND ATTACHING PARTS	
WITH CAB AND AIR CONDITIONING	2-4
COOLING	
KUBOTA DIESEL - WITH EXTERNAL OIL COOLER	2-6
KUBOTA DIESEL - WITHOUT EXTERNAL OIL COOLER WITH SHORT WHEELBASE	2-8
COVER BEARING CASE	
KUBOTA DIESEL - 3.6L, 3.8L	2-94
CYLINDER BLOCK	
KUBOTA DIESEL - 3.6L	2-38
KUBOTA DIESEL - 3.8L	2-40
CYLINDER HEAD	
KUBOTA DIESEL - 3.6L	2-50
KUBOTA DIESEL - 3.8L	2-51
CYLINDER HEAD COVER	
KUBOTA DIESEL - 3.6L	2-46
KUBOTA DIESEL - 3.8L	2-48
DIESEL PARTICULATE FILTER	
ATTACHING PARTS - 3.8L KUBOTA DIESEL	2-104
MUFFLER ASSEMBLY - KUBOTA 3.8L DIESEL	2-106
DIPSTICK	
KUBOTA DIESEL - 3.6L, 3.8L	2-45
EGR COOLER	
KUBOTA DIESEL - 3.8L	2-79
EGR VALVE	
KUBOTA DIESEL - 3.8L	2-78
ENGINE WITH ENGINE MOUNT AND TORQUE CONVERTER	
3.6L KUBOTA DIESEL	2-16
KUBOTA 3.8L DIESEL	2-18
EXHAUST MANIFOLD	
KUBOTA DIESEL - 3.6L	2-80
KUBOTA DIESEL - 3.8L	2-81
EXHAUST SYSTEM	
COUNTERWEIGHT EXHAUST LWB - 3.6L	2-20
COUNTERWEIGHT EXHAUST LWB - 3.8L WITH DPF	2-30
COUNTERWEIGHT EXHAUST SWB - 3.6L	2-24
COUNTERWEIGHT EXHAUST SWB - 3.8L WITH DPF	2-28
OVERHEAD EXHAUST LWB - 3.6L	2-22
OVERHEAD EXHAUST LWB - 3.8L WITH DPF	2-34
OVERHEAD EXHAUST SWB - 3.6L	2-26
OVERHEAD EXHAUST SWB - 3.8L WITH DPF	2-32
FAN PULLY	
KUBOTA DIESEL - 3.6L, 3.8L	2-37

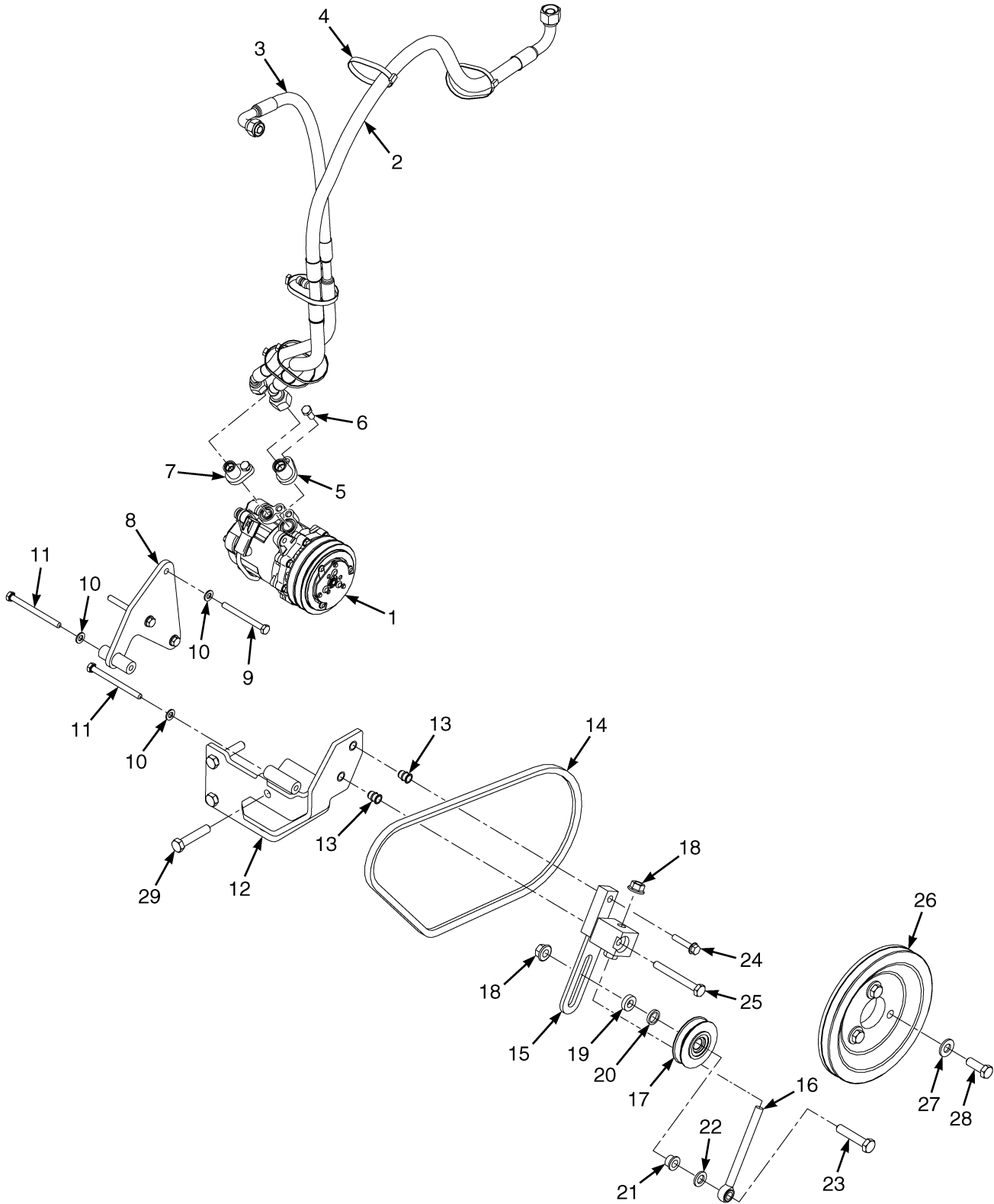
**SECTION 2
ENGINE ASSEMBLY - DIESEL**

DESCRIPTION	PAGE
FAN SHROUD WITH RADIATOR SCREEN	
LONG WHEEL BASE - DIESEL	2-14
SHORT WHEEL BASE - DIESEL	2-12
FAN SHROUD WITHOUT RADIATOR SCREEN	
SHORT WHEEL BASE - DIESEL	2-10
FLYWHEEL AND HOUSING	
KUBOTA DIESEL - 3.6L, 3.8L	2-36
FUEL FILTER	
KUBOTA DIESEL - 3.6L	2-73
FUEL INJECTION PUMP	
KUBOTA DIESEL - 3.8L	2-71
FUEL PUMP	
KUBOTA DIESEL - 3.6L	2-72
FUEL RAIL	
KUBOTA DIESEL - 3.8L	2-60
GEAR CASE	
KUBOTA DIESEL - 3.6L	2-89
KUBOTA DIESEL - 3.8L	2-91
GOVERNOR	
KUBOTA DIESEL - 3.6L	2-68
GOVERNOR ACTUATOR AND PLUG	
KUBOTA DIESEL - 3.6L	2-70
INJECTION PIPE	
KUBOTA DIESEL - 3.8L	2-61
INJECTION PUMP	
KUBOTA DIESEL - 3.6L	2-67
INJECTION PUMP HOUSING	
KUBOTA DIESEL - 3.6L	2-66
INJECTOR BODY	
KUBOTA 3.6L DIESEL	2-64
INJECTOR HARNESS	
KUBOTA DIESEL - 3.8L	2-65
INLET AND EXHAUST VALVES	
KUBOTA DIESEL - 3.8L	2-54
INLET MANIFOLD	
KUBOTA DIESEL - 3.6L	2-74
KUBOTA DIESEL - 3.8L	2-76
NOZZLE HOLDER AND GLOW PLUG	
KUBOTA DIESEL - 3.6L	2-63
OIL COOLER	
KUBOTA DIESEL - 3.6L	2-43
KUBOTA DIESEL - 3.8L	2-44
OIL PAN	
KUBOTA DIESEL - 3.6L, 3.8L	2-88
OIL SEPARATOR	
KUBOTA DIESEL - 3.8L	2-42
PISTON AND CRANKSHAFT	
KUBOTA DIESEL - 3.6L	2-56
KUBOTA DIESEL - 3.8L	2-58

SECTION 2 ENGINE ASSEMBLY - DIESEL

DESCRIPTION	PAGE
ROCKER ARM ASSEMBLY	
WITH INLET AND EXHAUST VALVES - KUBOTA DIESEL (3.6L)	2-52
ROCKER ARM SHAFT	
KUBOTA DIESEL - 3.8L	2-55
SENSORS	
KUBOTA DIESEL - 3.8L	2-97
STARTER	
KUBOTA DIESEL - 3.6L, 3.8L	2-102
TURBO INLET PIPE	
KUBOTA DIESEL - 3.8L	2-85
TURBOCHARGER	
KUBOTA DIESEL - 3.6L	2-82
KUBOTA DIESEL - 3.8L	2-83
TURBOCHARGER OIL PLUMBING	
KUBOTA DIESEL - 3.6L	2-86
KUBOTA DIESEL - 3.8L	2-87
WATER PUMP	
KUBOTA DIESEL - 3.6L	2-100
KUBOTA DIESEL - 3.8L	2-101
WATER PUMP FLANGE AND THERMOSTAT	
KUBOTA DIESEL - 3.6L	2-98
KUBOTA DIESEL - 3.8L	2-99

COMPRESSOR ASSEMBLY AND ATTACHING PARTS (FIGURE 2-1) WITH CAB AND AIR CONDITIONING

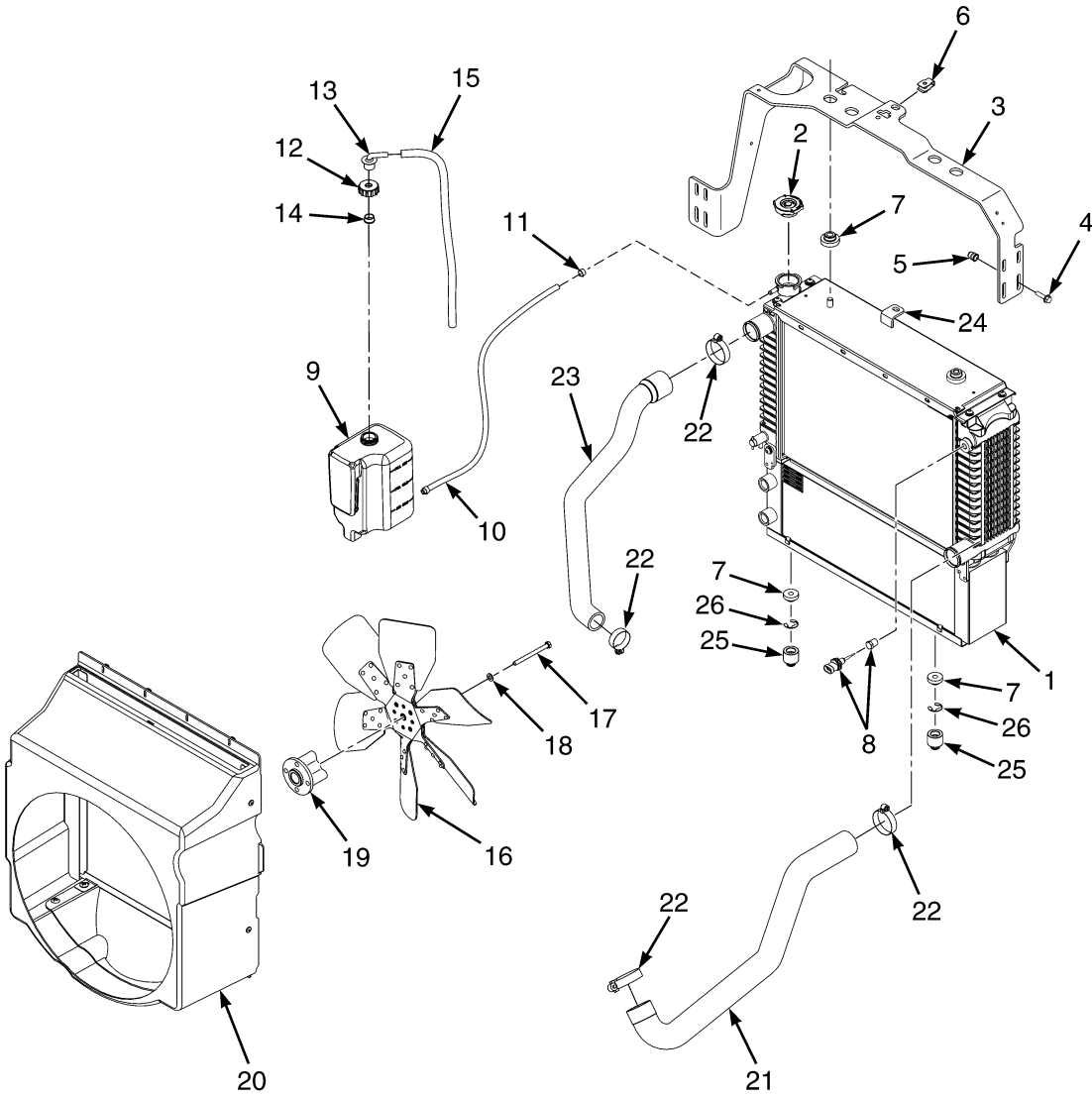


BP090512

**COMPRESSOR ASSEMBLY AND ATTACHING PARTS
WITH CAB AND AIR CONDITIONING**

ITEM	PART NO.	DESCRIPTION	QTY
1	4605389	Compressor Assembly, AC	1
1	Connector Assembly	1
1	1329150	Connector	1
1	1329149	Terminal	1
1	1329147	Seal	1
1	1329151	Terminal	1
2	4614229	Hose Assy (#10)	1
3	4614228	Hose Assy (#8)	1
4	397676	Strap Clamp	5
5	4005338	Adapter (#10)	1
6	1597448	Capscrew	2
7	4005339	Adapter (#8)	1
8	4034724	Bracket (3.8L)	1
8	4036744	Bracket (3.6L)	1
9	293625	Capscrew	3
10	296418	Washer	5
11	1566505	Capscrew	2
12	4036761	Bracket	1
13	1530244	Insert	2
14	2094420	V-Belt	1
15	4005619	Plate Wldmt	1
16	4005596	Link	1
17	1396781	Pulley	1
18	1528888	Nut (Shoulder)	3
19	4005608	Spacer	1
20	1396780	Spacer	1
21	4005607	Bearing	1
22	296422	Washer	1
23	292531	Capscrew	1
24	1512403	Capscrew	1
25	292524	Capscrew	1
26	4034608	Pulley	1
27	296423	Washer	3
28	399898	Capscrew	3
29	326488	Capscrew	4

COOLING (FIGURE 2-2) KUBOTA DIESEL — WITH EXTERNAL OIL COOLER



BP060102

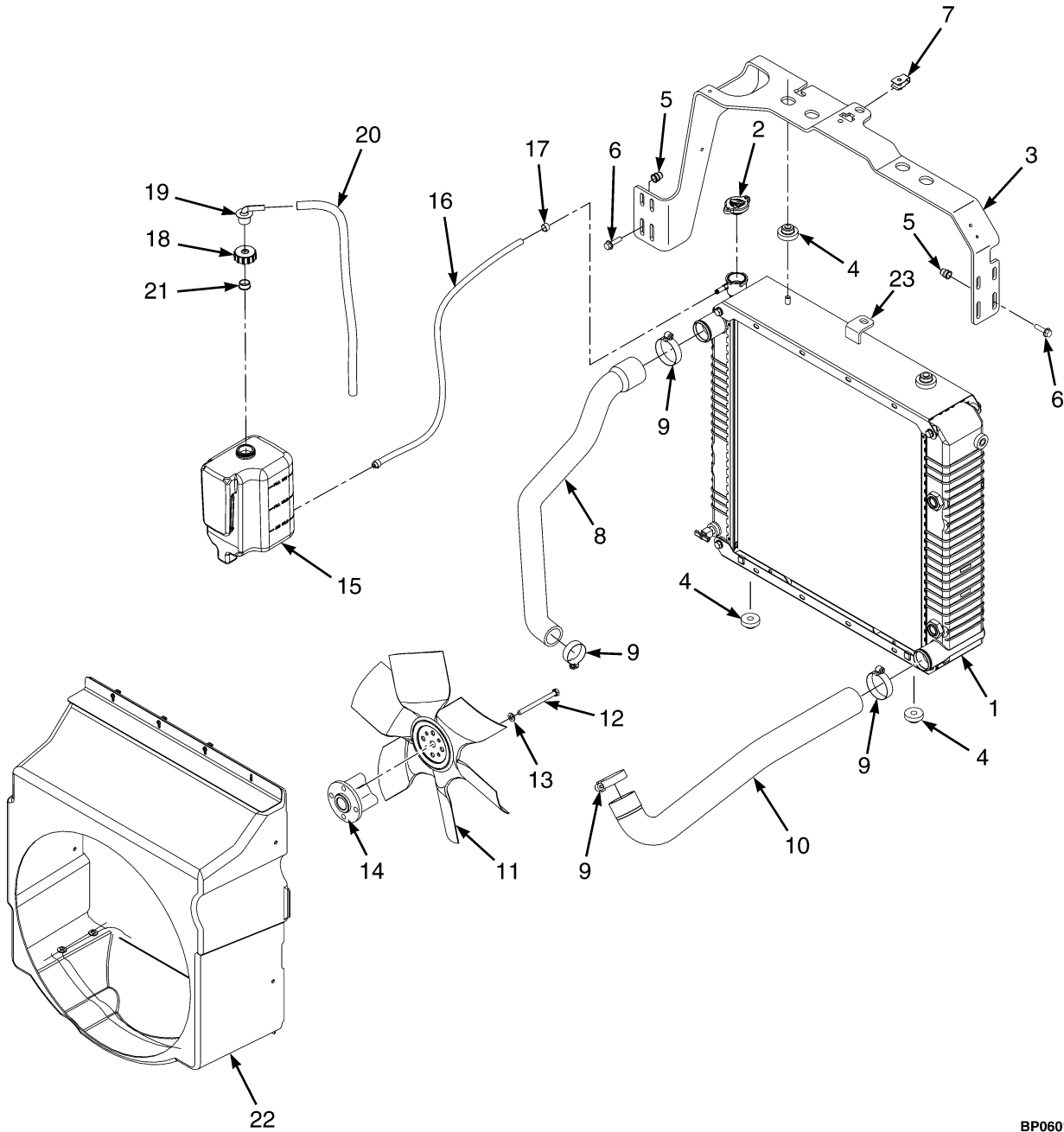
COOLING

KUBOTA DIESEL – WITH EXTERNAL OIL COOLER

KEY:**A: Short Wheelbase****B: Long Wheelbase**

ITEM	PART NO.	DESCRIPTION	QTY	
			A	B
1	4603551	Radiator (Assembly)	1	1
1	4038256	Radiator	1	1
1	4038262	Oil Cooler	1	1
1	4038264	Drain Valve	1	1
1	4038265	Nut , Foldover	2	2
1	4038266	Bolt (With Washer)	8	8
1	4038267	Bolt (With Washer)	4	4
1	4142035	Frame (Top)	1	1
1	4142040	Frame (Bottom)	1	1
1	4136558	Isolator	2	2
1	4136559	Collar	2	2
2	178899	Radiator Cap	1	1
3	4000086	Bracket	1	1
3	1699135	Bracket Wldmt (Optional)	1	1
4	1527881	Capscrew	4	..
4	1527881	Capscrew	5
5	1530243	Insert	4	..
5	1530243	Insert	5
6	1393879	Nut	1	1
7	1529787	Isolator	4	4
8	1531404	Sensor (Low Coolant Level)	1	1
8	14385	Fitting (Without Low Coolant Level Sensor)	1	1
9	1643342	Reservoir	1	1
10	1581024	Hose	1	1
11	369815	Clamp	2	2
12	345455	Outlet Assembly	1	1
12	345454	Cap	1	1
12	4127425	Seal	1	1
13	345453	Outlet (Reservoir)	1	1
14	336550	Bushing	1	1
15	1663877	Hose	1	1
16	4612998			
	4634121	Fan (with Scalloped Blades)	1	1
17	293622	Capscrew	4	4
18	296418	Washer	4	4
19	4042107	Collar	1	1
20	4612849	Shroud (Upper) (☞Figure 2-4).....	1	..
20	4612850	Shroud (Lower) (☞Figure 2-5).....	1	..
20	4066325	Shroud (☞Figure 2-6).....	..	1
21	4625947	Radiator Hose (Lower)	1
22	119236	Clamp	4	4
23	4625946	Radiator Hose (Upper)	1	1
24	4066321	Bracket (Offset)	1
25	4067335	Spacer	2
26	2076760	Retainer	2

COOLING (FIGURE 2-3) KUBOTA DIESEL — WITHOUT EXTERNAL OIL COOLER WITH SHORT WHEELBASE

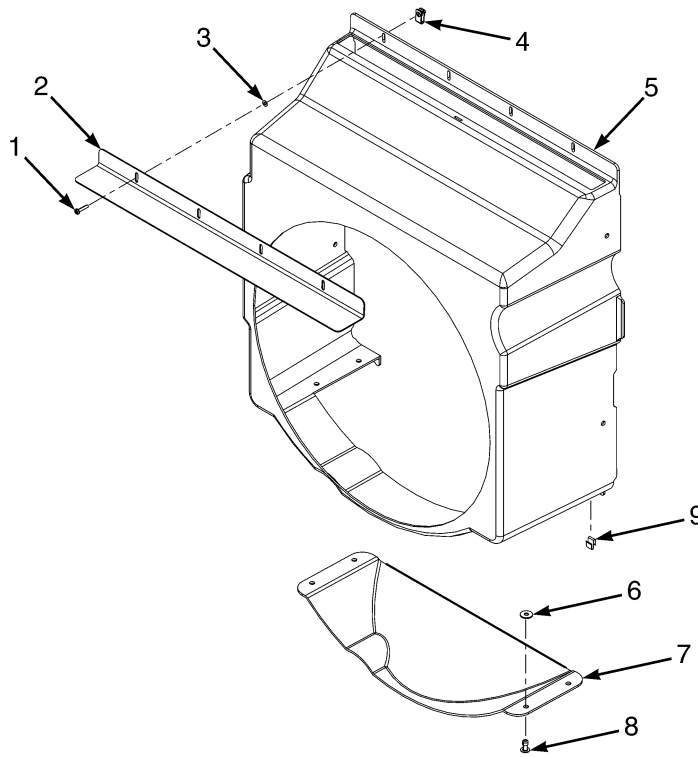


BP060103

COOLING
KUBOTA DIESEL – WITHOUT EXTERNAL OIL COOLER WITH SHORT WHEELBASE

ITEM	PART NO.	DESCRIPTION	QTY
1	2102313	Radiator	1
2	1352140	Radiator Cap	1
3	4000086	Bracket	1
3	1699135	Bracket Wldmt	1
4	1529787	Isolator	4
5	1530243	Insert	4
6	1527881	Capscrew	4
7	1393879	Nut	1
8	4625946	Radiator Hose (Upper)	1
9	119236	Clamp	4
10	4616119	Radiator Hose (Lower)	1
11	4612998 4634121	Fan (with Scalloped Blades)	1
12	293622	Capscrew	4
13	296418	Washer	4
14	4042107	Collar	1
15	1643342	Reservoir	1
16	1581024	Hose	1
17	369815	Clamp	2
18	345455	Outlet Assembly	1
18	345454	Cap	1
18	4127425	Seal	1
19	345453	Outlet (Reservoir)	1
20	1663877	Hose	1
21	336550	Bushing	1
22	4612849	Shroud (Upper) (☞Figure 2-5).....	1
22	4612850	Shroud (Lower) (☞Figure 2-5).....	1

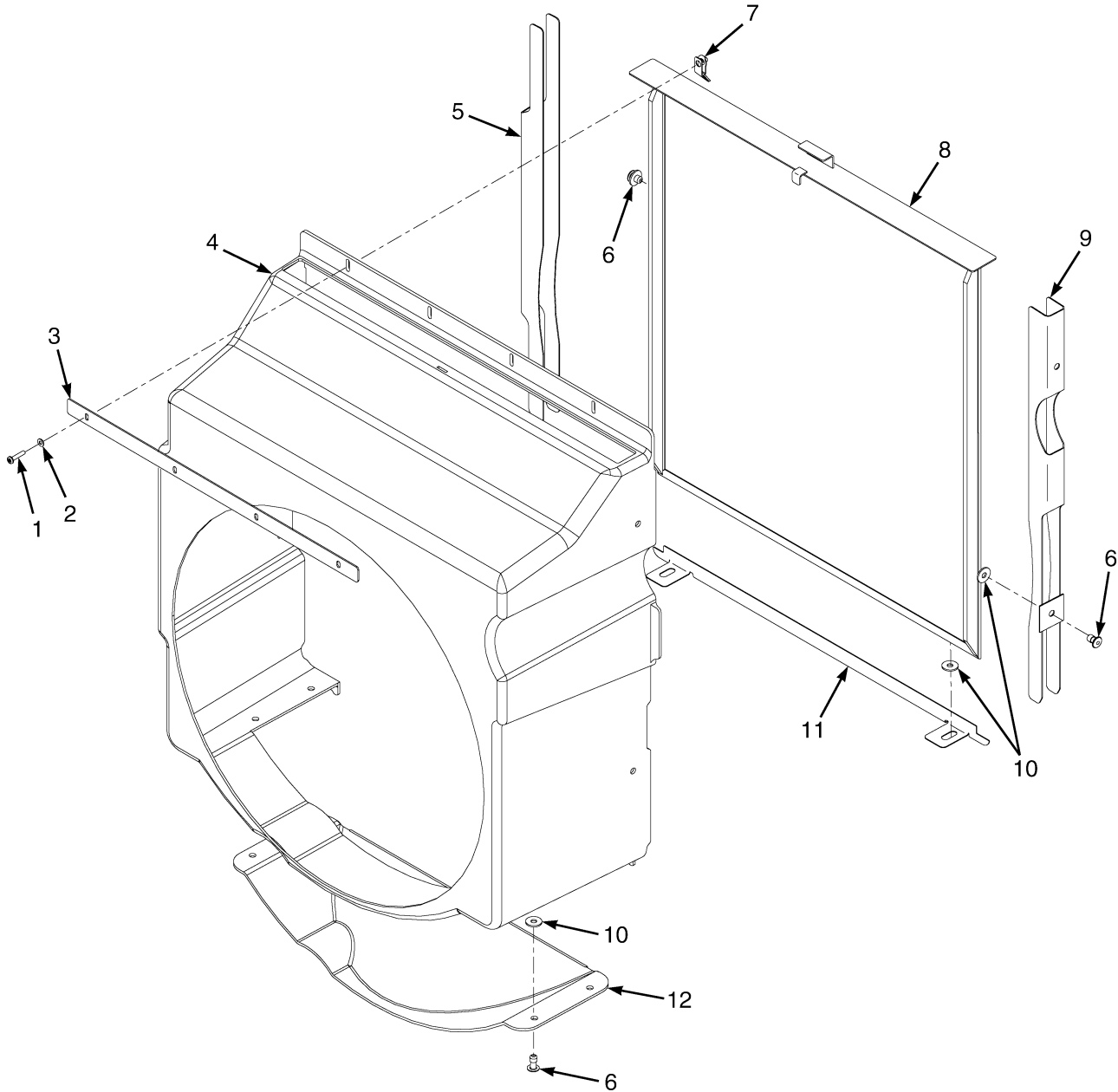
FAN SHROUD WITHOUT RADIATOR SCREEN (FIGURE 2-4) SHORT WHEEL BASE — DIESEL



BP060105

ITEM	PART NO.	DESCRIPTION	QTY
1	302024	Screw	4
2	1676093	Cover (Shroud)	1
3	320154	Washer	4
4	1535257	Nut	4
5	4612849	Shroud (Upper)	1
6	1476421	Washer	4
7	4612850	Shroud (Lower)	1
8	222036	Rivet	4
9	1693705	Clip	2

FAN SHROUD WITH RADIATOR SCREEN (FIGURE 2-5) SHORT WHEEL BASE — DIESEL

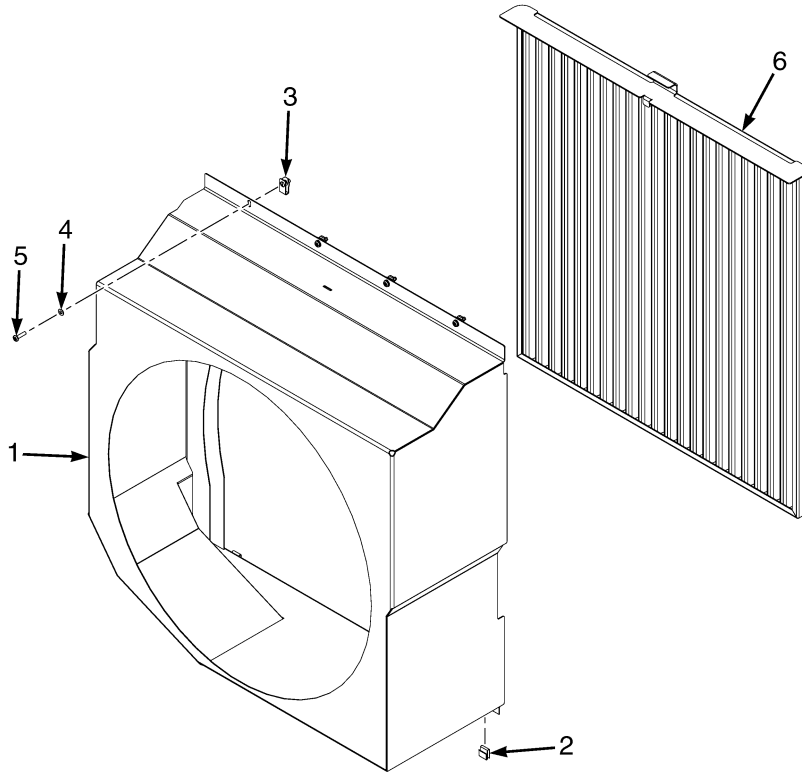


BP090513

**FAN SHROUD WITH RADIATOR SCREEN
SHORT WHEEL BASE – DIESEL**

ITEM	PART NO.	DESCRIPTION	QTY
1	302024	Screw	4
2	320154	Washer	4
3	1676093	Cover (Shroud)	1
4	4612849	Shroud (Upper)	1
5	4006020	Channel (RH)	1
6	222036	Rivet	8
7	1535257	Nut	4
8	4003844	Screen	1
9	4006017	Channel (LH)	1
10	1476421	Washer	4
11	1684275	Bracket	1
12	4612850	Shroud (Lower)	1
13	1693705	Clip	1

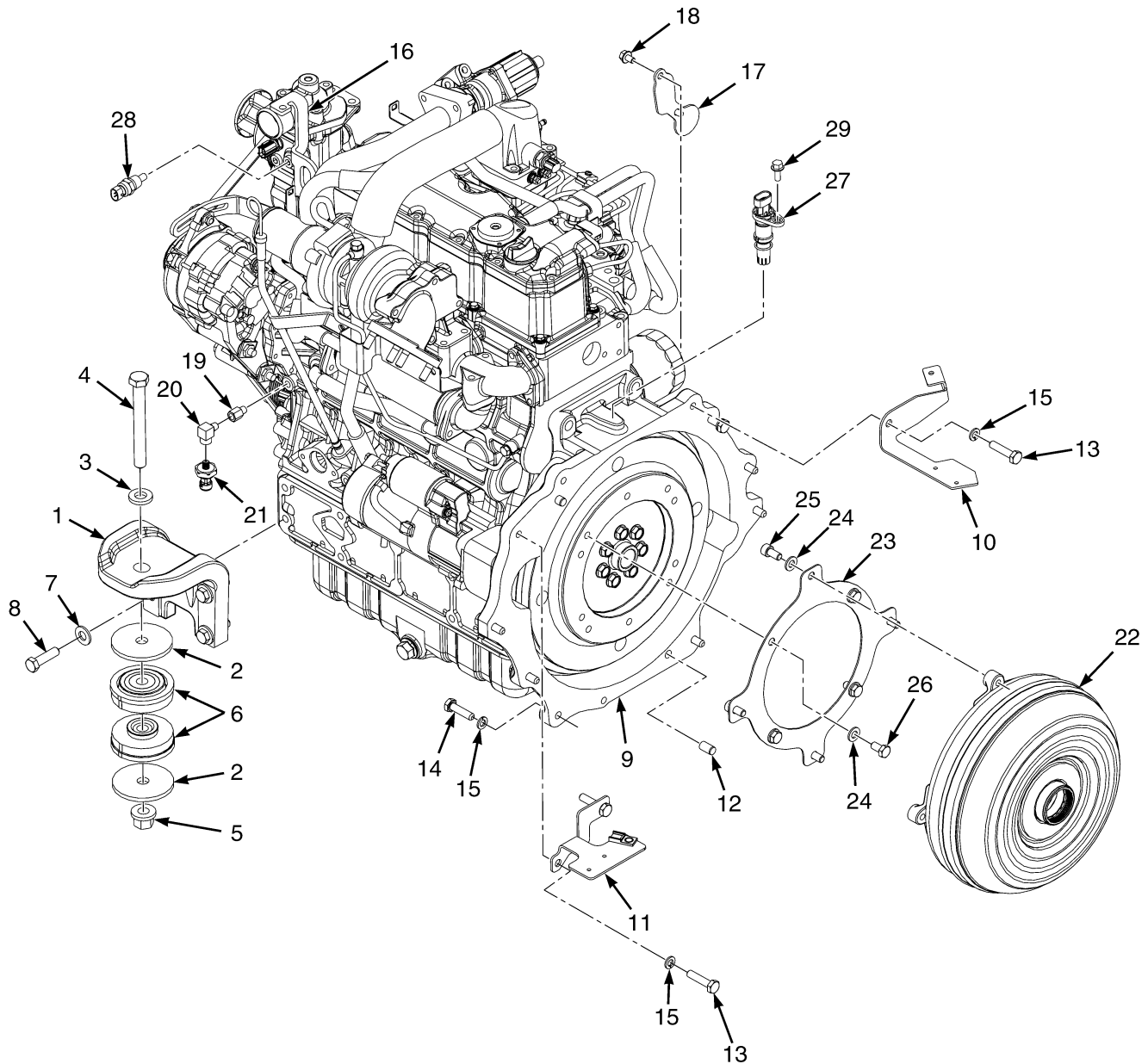
FAN SHROUD WITH RADIATOR SCREEN (FIGURE 2-6) LONG WHEEL BASE — DIESEL



BP060106

ITEM	PART NO.	DESCRIPTION	QTY
1	4066325	Shroud	1
2	1551663	Clip	2
3	1535257	Nut (Clip)	4
4	320154	Washer	4
5	302023	Screw	4
6	1574286	Screen	1

ENGINE WITH ENGINE MOUNT AND TORQUE CONVERTER (FIGURE 2-7) 3.6L KUBOTA DIESEL



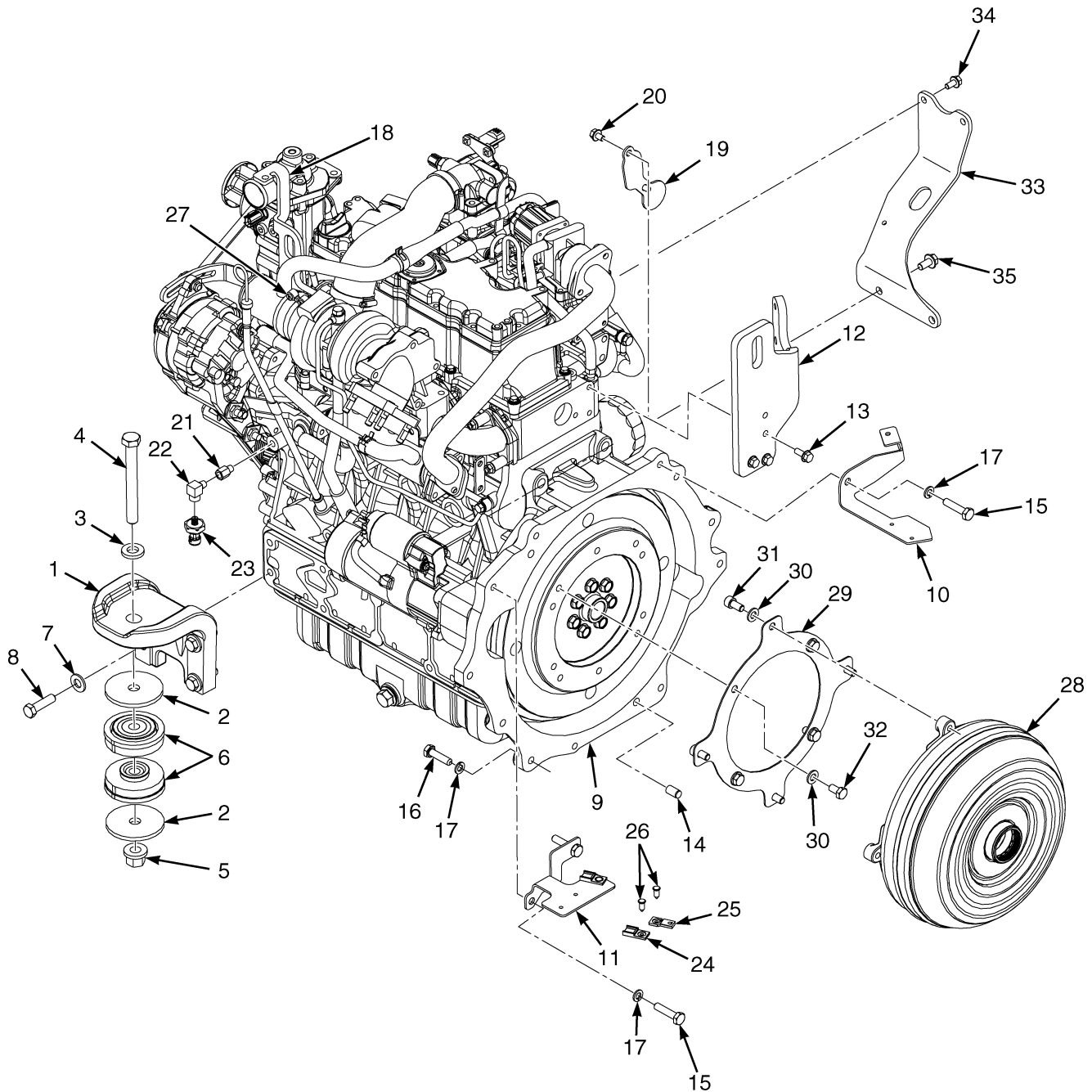
BP090620

**ENGINE WITH ENGINE MOUNT AND TORQUE CONVERTER
3.6L KUBOTA DIESEL**

ITEM	PART NO.	DESCRIPTION	QTY
1	4018204	Motor Mount (RH)	1
1	a 4018205		
	4093215	Motor Mount (LH)	1
2	1557737	Washer	4
3	1504075	Washer	2
4	293699	Capscrew	2
5	1565453	Nut (Flange)	2
6	2069951	Isolator	4
7	296423	Washer	8
8	2088763	Capscrew	8
9	4615470	Engine Assy-Diesel (3.6L) (☞Figure 2-19, ☞Figure 2-27).....	1
10	1660913	Bracket (Tube Retention)	1
11	1623093	Bracket	1
12	303150	Dowel	2
13	292516	Capscrew	4
14	292515	Capscrew	6
15	292682	Lockwasher	10
16	4060809	Lifting Eye	1
17	4024574	Dust Cover	1
18	1529366	Capscrew	2
19	367224	Adapter	1
20	16151	Fitting	1
21	1566654	Pressure Transducer Sensor (Oil Pressure)	1
22	4020309	Torque Converter	1
23	4020310	Flex Plate	1
24	296420	Washer	8
25	4618189	Special Capscrew	4
26	293627	Capscrew	4
27	1541231	Sensor (Input Speed, TISS)	1
28	1560255	Sensor (Coolant Temperature)	1
29	1527876	Capscrew	1
	a 360387	Loctite	AR
	a 251979	Lubricant	AR

FOOTNOTES:**a** Not Illustrated

ENGINE WITH ENGINE MOUNT AND TORQUE CONVERTER (FIGURE 2-8) KUBOTA 3.8L DIESEL



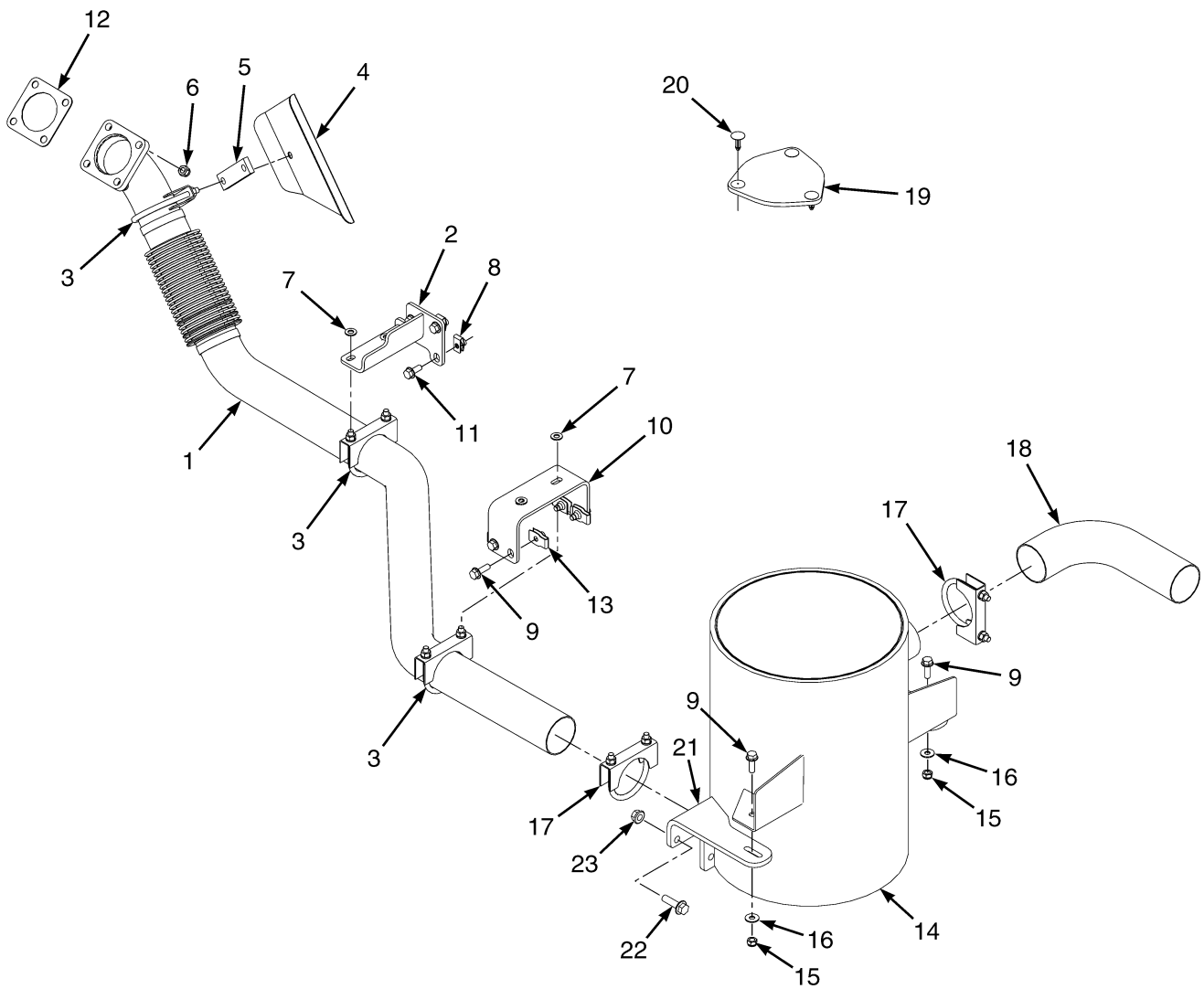
BP090632

**ENGINE WITH ENGINE MOUNT AND TORQUE CONVERTER
KUBOTA 3.8L DIESEL**

ITEM	PART NO.	DESCRIPTION	QTY
1	4018204	Motor Mount (RH)	1
1	a 4018205		
	4093215	Motor Mount (LH)	1
2	1557737	Washer	4
3	1504075	Washer	2
4	293699	Capscrew	2
5	1565453	Nut (Flange)	2
6	2069951	Isolator	4
7	296423	Washer	8
8	2088763	Capscrew	8
9	4620483	Engine Assy-Diesel (3.8L)	1
10	1660913	Bracket (Tube Retention)	1
11	1623093	Bracket	1
12	4049150	Bracket (Lifting Eye)	1
13	1527880	Capscrew	3
14	303150	Dowel	2
15	292516	Capscrew	4
16	292515	Capscrew	6
17	292682	Lockwasher	10
18	4060809	Lifting Eye	1
19	4024574	Dust Cover	1
20	1529366	Capscrew	2
21	367224	Adapter	1
22	16151	Fitting	1
23	1566654	Pressure Transducer Sensor (Oil Pressure)	1
24	1500912	Clip	2
25	1531480	Clip	1
26	1582464	Fastener	3
27	1394008	Hose Clamp	2
28	4020309	Torque Converter	1
29	4020310	Flex Plate	1
30	296420	Washer	8
31	4618189	Special Capscrew	4
32	293627	Capscrew	4
33	4047641	Bracket (Breather Filter)	1
34	4109993		
	1527879	Capscrew	2
35	1582462	Bolt	2
	a 360387	Loctite	AR
	a 251979	Lubricant	AR

FOOTNOTES:**a** Not Illustrated

EXHAUST SYSTEM (FIGURE 2-9) COUNTERWEIGHT EXHAUST LWB — 3.6L



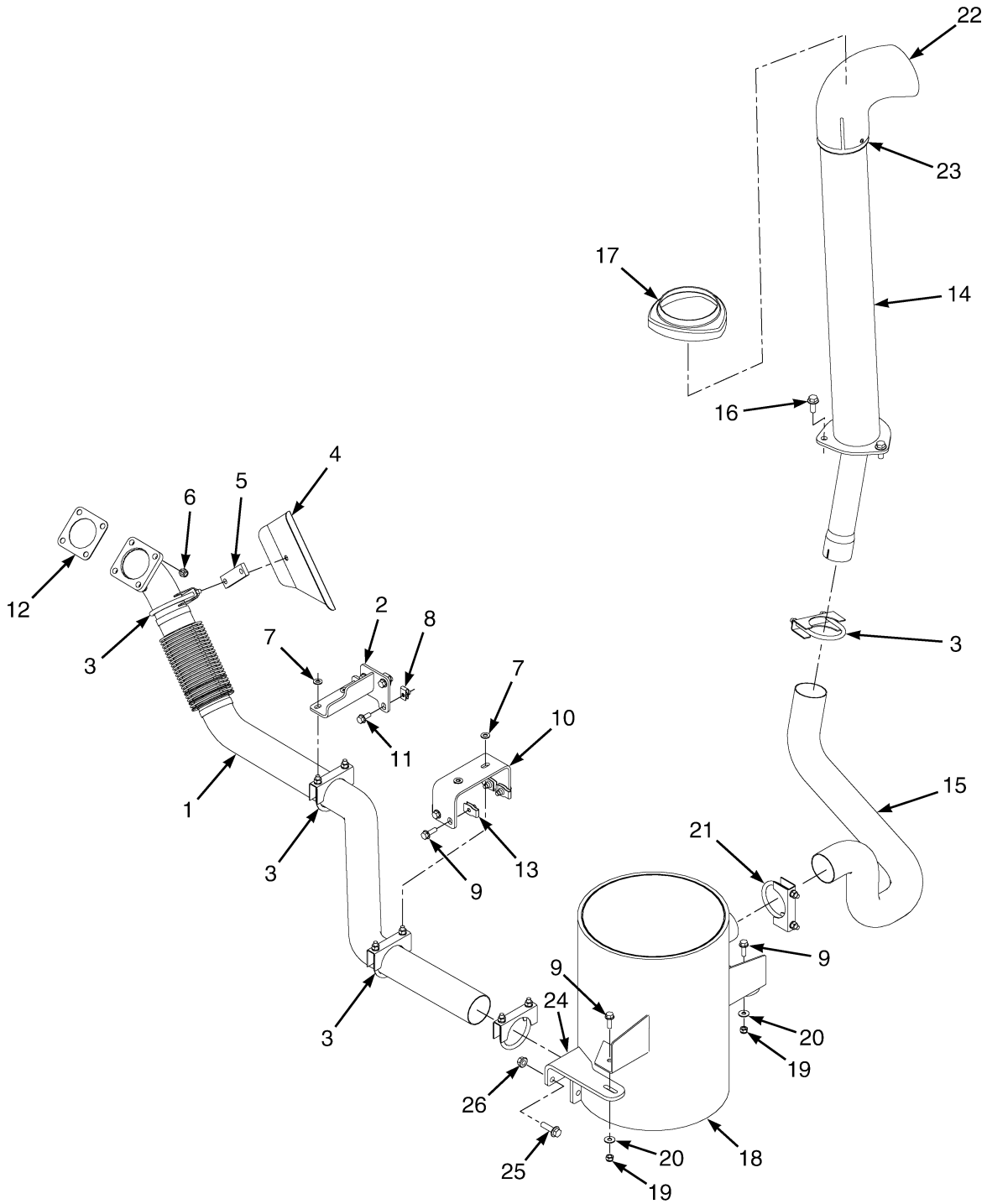
BP110106

**EXHAUST SYSTEM
COUNTERWEIGHT EXHAUST LWB – 3.6L**

ITEM	PART NO.	DESCRIPTION	QTY
1	4030620	Exhaust Pipe	1
2	4062685	Bracket Wldmt	1
3	30372	Clamp	3
4	4024571	Heat Shield	1
5	4025092	Plate	1
6	4027330	Locknut	4
7	18515	Washer	4
8	1480237	Nut	3
9	1510113	Capscrew	6
10	1696451	Bracket	1
11	1527880	Capscrew	3
12	4032888	Gasket	1
13	1393879	Nut	4
14	b 2103428	Muffler	1
14	c 4630519	Muffler	1
15	1582222	Locknut	2
16	320158	Washer	2
17	30372	Clamp	2
17	30374	Clamp (Alternate)	2
18	1664482	Exhaust Pipe	1
19	1347043	Cover	1
20	1347045	Fastener	3
21	4052206	Bracket (LH)	1
21	a 4052207	Bracket (RH)	1
22	1527885	Capscrew	6
23	1460477	Nut	6

FOOTNOTES:**a** Not Illustrated**c** 7/2013 →**b** → 7/2013

EXHAUST SYSTEM (FIGURE 2-10) OVERHEAD EXHAUST LWB — 3.6L



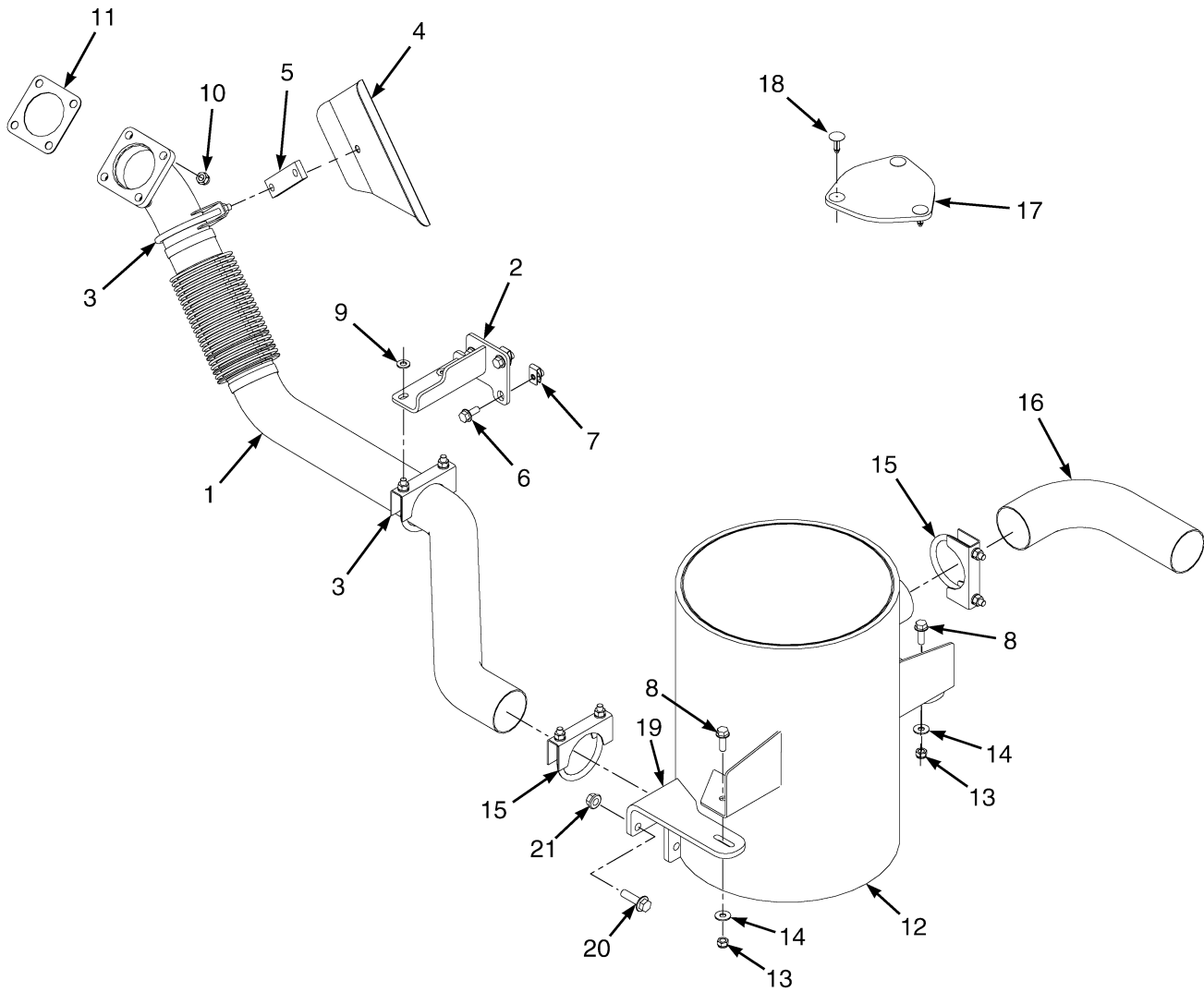
BP110107

**EXHAUST SYSTEM
OVERHEAD EXHAUST LWB – 3.6L**

ITEM	PART NO.	DESCRIPTION	QTY
1	4030620	Exhaust Pipe	1
2	4062685	Bracket Wldmt	1
3	30372	Clamp	4
4	4024571	Heat Shield	1
5	4025092	Plate	1
6	4027330	Locknut	4
7	18515	Washer	4
8	1480237	Nut	3
9	1510113	Capscrew	6
10	1696451	Bracket	1
11	1527880	Capscrew	3
12	4032888	Gasket	1
13	1393879	Nut	4
14	1664474	Overhead Exhaust	1
15	1664478	Exhaust Pipe	1
16	1510117	Capscrew	3
17	1668428	Cover	1
18	2103428	Muffler	1
19	1582222	Locknut	2
20	320158	Washer	2
21	30372	Clamp	2
21	30374	Clamp (Alternate)	2
22	4050187	Exhaust Pipe (With A/C Cab)	1
23	1708540	Screw (With A/C Cab)	2
24	4052206	Bracket (LH)	1
24	a 4052207	Bracket (RH)	1
25	1527885	Capscrew	6
26	1460477	Nut	6

FOOTNOTES:**a** Not Illustrated

EXHAUST SYSTEM (FIGURE 2-11) COUNTERWEIGHT EXHAUST SWB — 3.6L



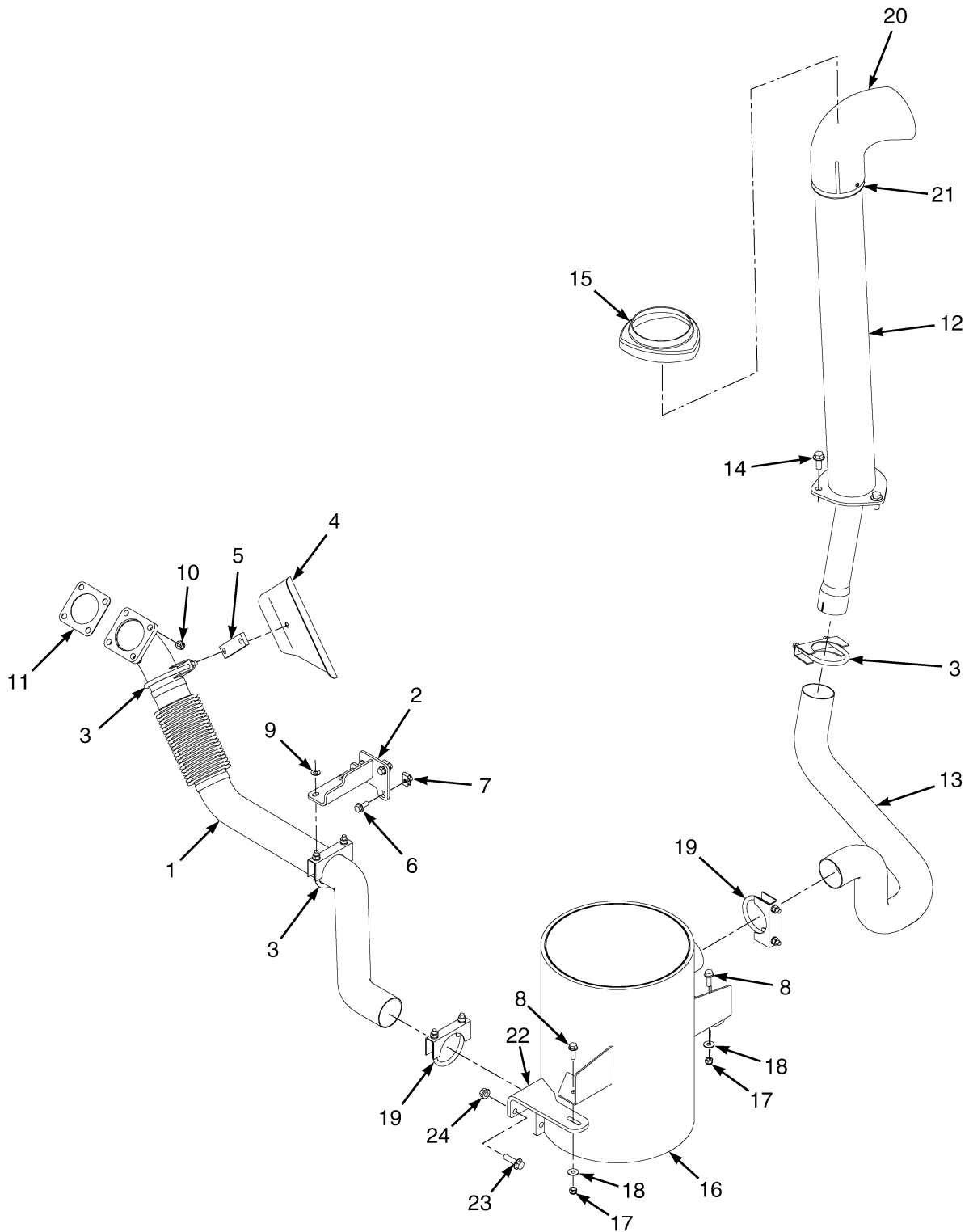
BP110110

**EXHAUST SYSTEM
COUNTERWEIGHT EXHAUST SWB – 3.6L**

ITEM	PART NO.	DESCRIPTION	QTY
1	4020926	Exhaust Pipe	1
2	4062685	Bracket Wldmt	1
3	30372	Clamp	2
4	4024571	Heat Shield	1
5	4025092	Plate	1
6	1527880	Capscrew	3
7	1480237	Nut	3
8	1510113	Capscrew	2
9	18515	Washer	2
10	4027330	Locknut	4
11	4032888	Gasket	1
12	b 2103428	Muffler	1
12	c 4630519	Muffler	1
13	1582222	Locknut	2
14	320158	Washer	2
15	30372	Clamp	2
15	30374	Clamp (Alternate)	2
16	1664482	Exhaust Pipe	1
17	1347043	Cover	1
18	1347045	Fastener	3
19	4052206	Bracket (LH)	1
19	a 4052207	Bracket (RH)	1
20	1527885	Capscrew	6
21	1460477	Nut	6

FOOTNOTES:**a** Not Illustrated**b** → 7/2013**c** 7/2013 →

EXHAUST SYSTEM (FIGURE 2-12) OVERHEAD EXHAUST SWB — 3.6L



BP110109

**EXHAUST SYSTEM
OVERHEAD EXHAUST SWB – 3.6L**

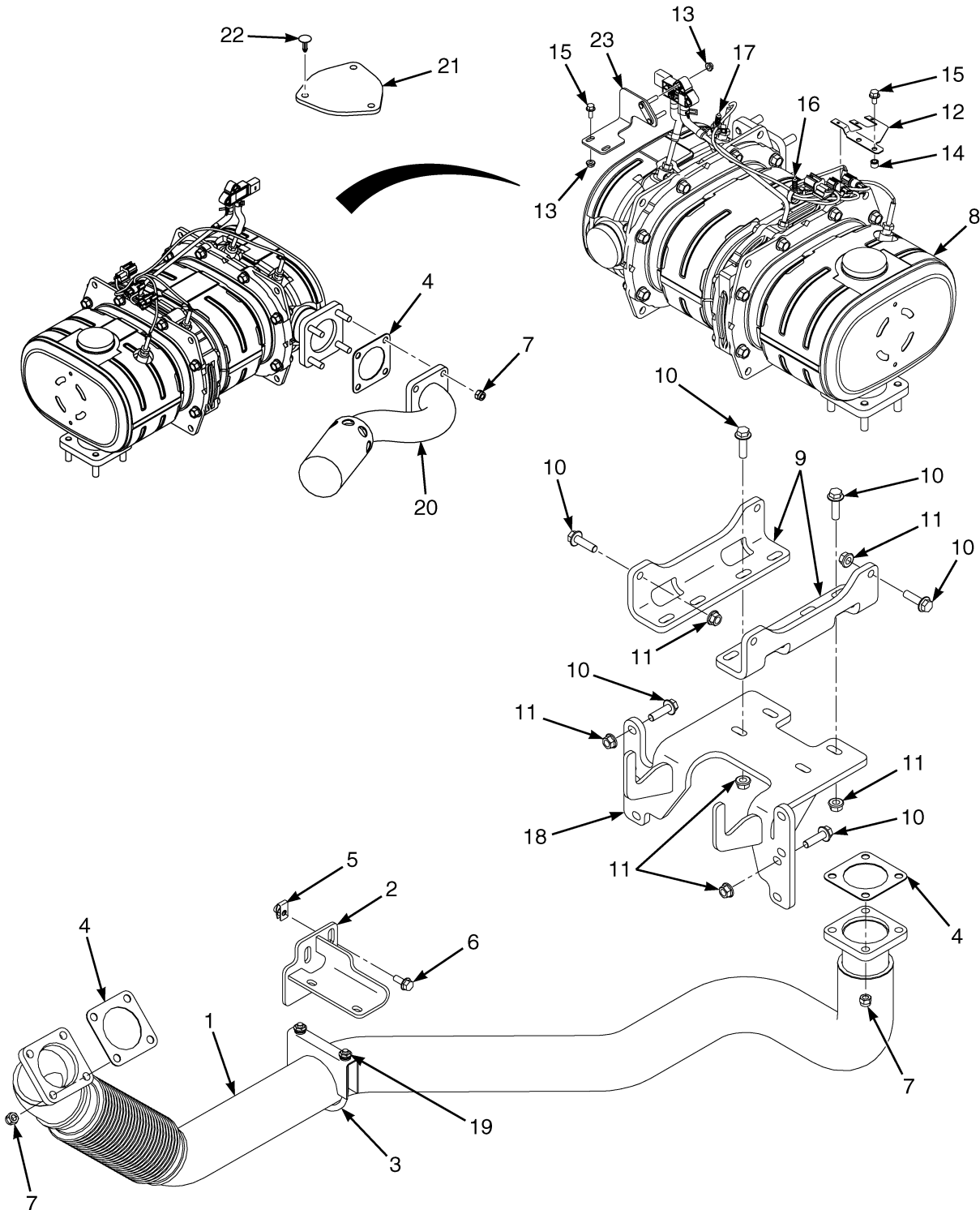
ITEM	PART NO.	DESCRIPTION	QTY
1	4020926	Exhaust Pipe	1
2	4062685	Bracket Wldmt	1
3	30372	Clamp	3
4	4024571	Heat Shield	1
5	4025092	Plate	1
6	1527880	Capscrew	3
7	1480237	Nut	3
8	1510113	Capscrew	2
9	18515	Washer	2
10	4027330	Locknut	4
11	4032888	Gasket	1
12	1664474	Overhead Exhaust	1
13	1664475	Exhaust Pipe	1
14	1510117	Capscrew	3
15	1668428	Cover	1
16	b 2103428	Muffler	1
16	c 4630519	Muffler	1
17	1582222	Locknut	2
18	320158	Washer	2
19	30372	Clamp	2
19	30374	Clamp (Alternate)	2
20	4050187	Exhaust Pipe (With A/C Cab)	1
21	1708540	Screw (With A/C Cab)	2
22	4052206	Bracket (LH)	1
22	a 4052207	Bracket (RH)	1
23	1527885	Capscrew	6
24	1460477	Nut	6

FOOTNOTES:

a Not Illustrated
b → 7/2013

c 7/2013 →

EXHAUST SYSTEM (FIGURE 2-13) COUNTERWEIGHT EXHAUST SWB — 3.8L WITH DPF

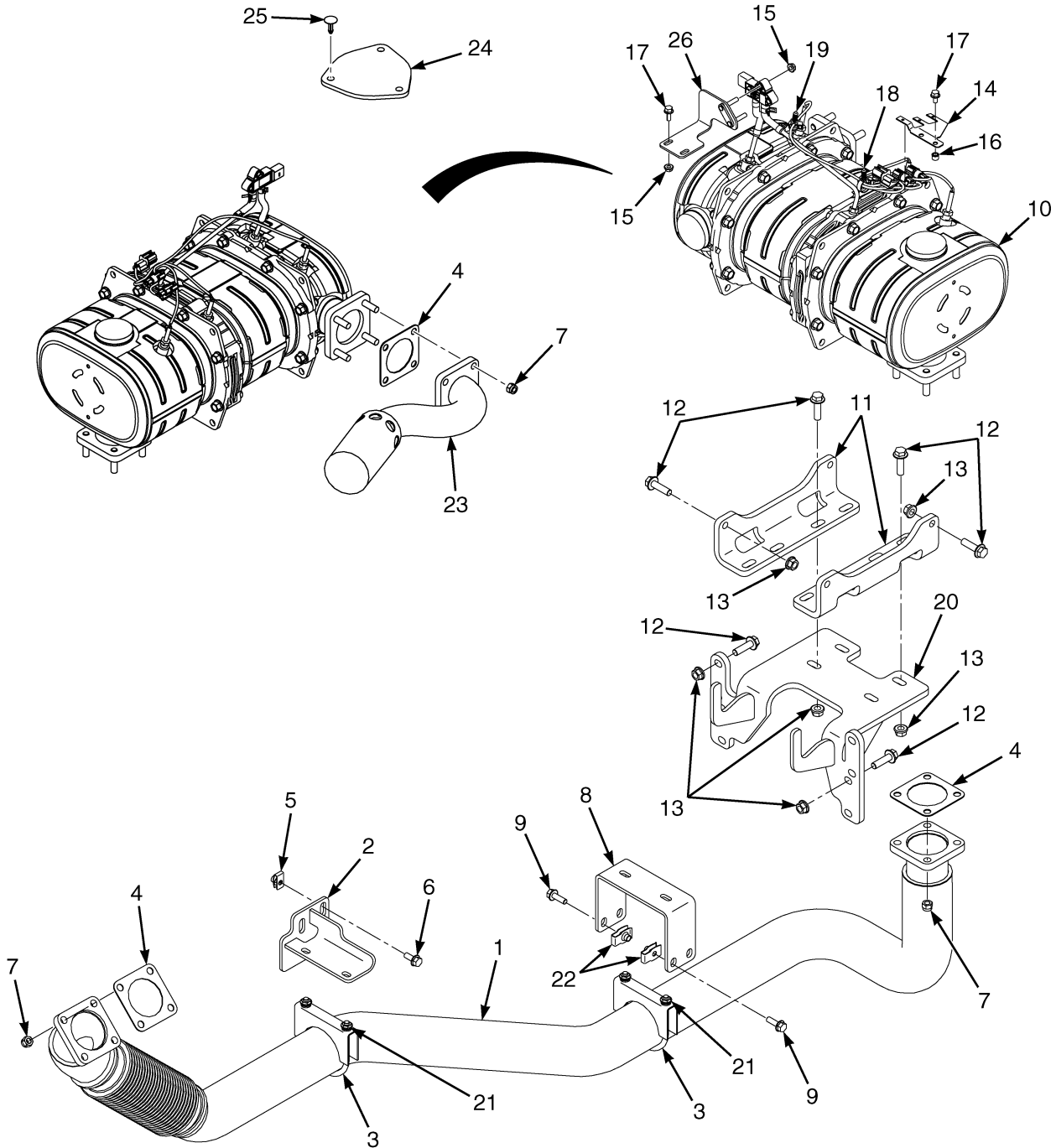


BP110100

EXHAUST SYSTEM
COUNTERWEIGHT EXHAUST SWB – 3.8L WITH DPF

ITEM	PART NO.	DESCRIPTION	QTY
1	4054347	Exhaust Pipe	1
2	4053068	Bracket Wldmt	1
3	30375	Clamp (Includes Hardware)	1
4	4032888	Gasket	3
5	1480237	Nut	3
6	1527880	Capscrew	3
7	4027330	Locknut	12
8	4620363	Diesel Particulate Filter (☞Figure 2-71).....	1
9	4051527	Bracket	2
10	1527885	Capscrew	12
11	1460477	Nut	12
12	4053250	Bracket	1
13	1514429	Nut	4
14	1531001	Insert	2
15	1527876	Capscrew	4
16	1509890	Clip	1
17	1509888	Clip	1
18	4052253 4082219	Mounting Weldment	1
19	18515	Washer	2
20	4066616	Tail Pipe	1
21	1347043	Cover	1
22	1347045	Fastener	3
23	4082011	Bracket (DPF Sensor Bracket)	1

EXHAUST SYSTEM (FIGURE 2-14) COUNTERWEIGHT EXHAUST LWB — 3.8L WITH DPF

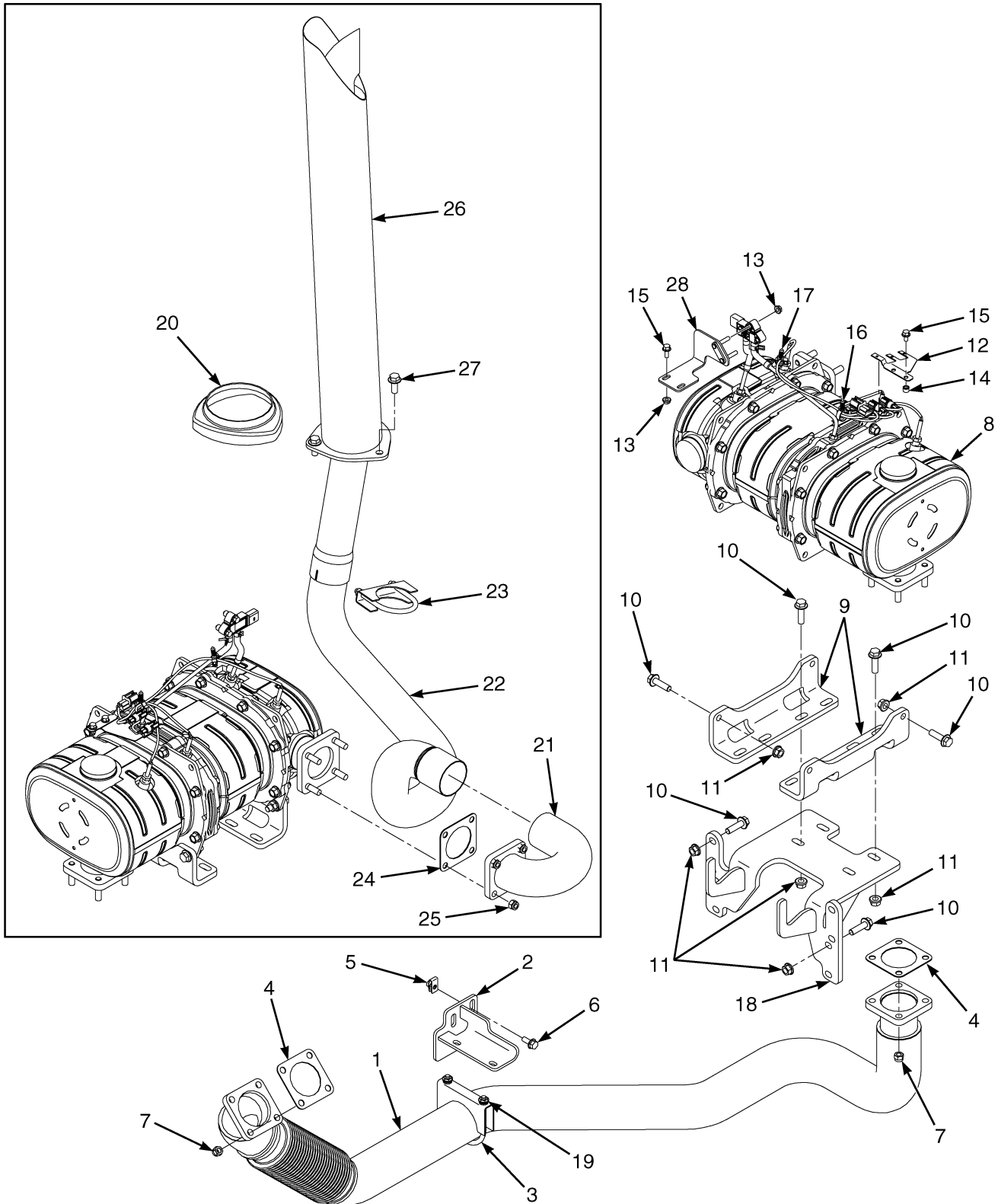


BP110101

EXHAUST SYSTEM
COUNTERWEIGHT EXHAUST LWB – 3.8L WITH DPF

ITEM	PART NO.	DESCRIPTION	QTY
1	4052515	Exhaust Pipe	1
2	4053068	Bracket Wldmt	1
3	30375	Clamp (Includes Hardware)	2
4	4032888	Gasket	3
5	1480237	Nut	7
6	1527880	Capscrew	3
7	4027330	Locknut	12
8	4054231	Bracket	1
9	1510113	Capscrew	4
10	4620363	Diesel Particulate Filter (DPF) (☞ Figure 2-71).....	1
11	4051527	Bracket	2
12	1527885	Capscrew	12
13	1460477	Nut	12
14	4053250	Bracket	1
15	1514429	Nut	4
16	1531001	Insert	2
17	1527876	Capscrew	4
18	1509890	Clip	1
19	1509888	Clip	1
20	4075462	Mounting Weldment	1
21	18515	Washer	4
22	1393879	Nut	4
23	4066616	Tail Pipe	1
24	1347043	Cover	1
25	1347045	Fastener	3
26	4082011	Bracket (DPF Sensor Bracket)	1

EXHAUST SYSTEM (FIGURE 2-15) OVERHEAD EXHAUST SWB — 3.8L WITH DPF

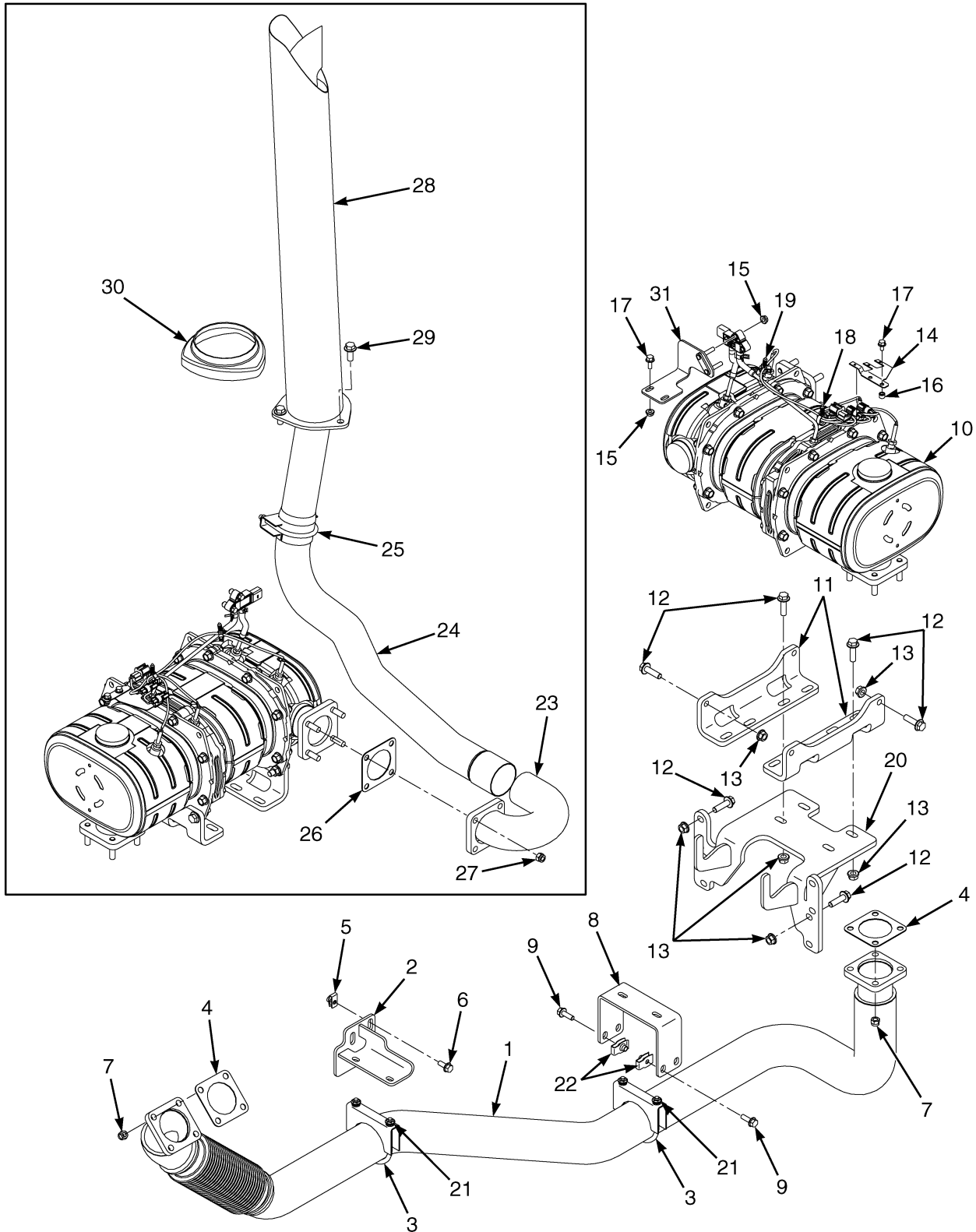


BP110102

EXHAUST SYSTEM
OVERHEAD EXHAUST SWB – 3.8L WITH DPF

ITEM	PART NO.	DESCRIPTION	QTY
1	4054347	Exhaust Pipe	1
2	4053068	Bracket Wldmt	1
3	30375	Clamp (Includes Hardware)	1
4	4032888	Gasket	2
5	1480237	Nut	3
6	1527880	Capscrew	3
7	4027330	Locknut	8
8	4620363	Diesel Particulate Filter (☞Figure 2-71).....	1
9	4051527	Bracket	2
10	1527885	Capscrew	12
11	1460477	Nut	12
12	4053250	Bracket	1
13	1514429	Nut	4
14	1531001	Insert	2
15	1527876	Capscrew	4
16	1509890	Clip	1
17	1509888	Clip	1
18	4052253 4082219	Mounting Weldment	1
19	18515	Washer	2
20	1668428	Cover	1
21	4053065	Exhaust Pipe	1
22	4054352	Exhaust Pipe	1
23	30372	Clamp	2
24	4032888	Gasket	1
25	4027330	Locknut	1
26	1664474	Overhead Exhaust	1
27	1510117	Capscrew	3
28	4082011	Bracket (DPF Sensor Bracket)	1

EXHAUST SYSTEM (FIGURE 2-16) OVERHEAD EXHAUST LWB — 3.8L WITH DPF

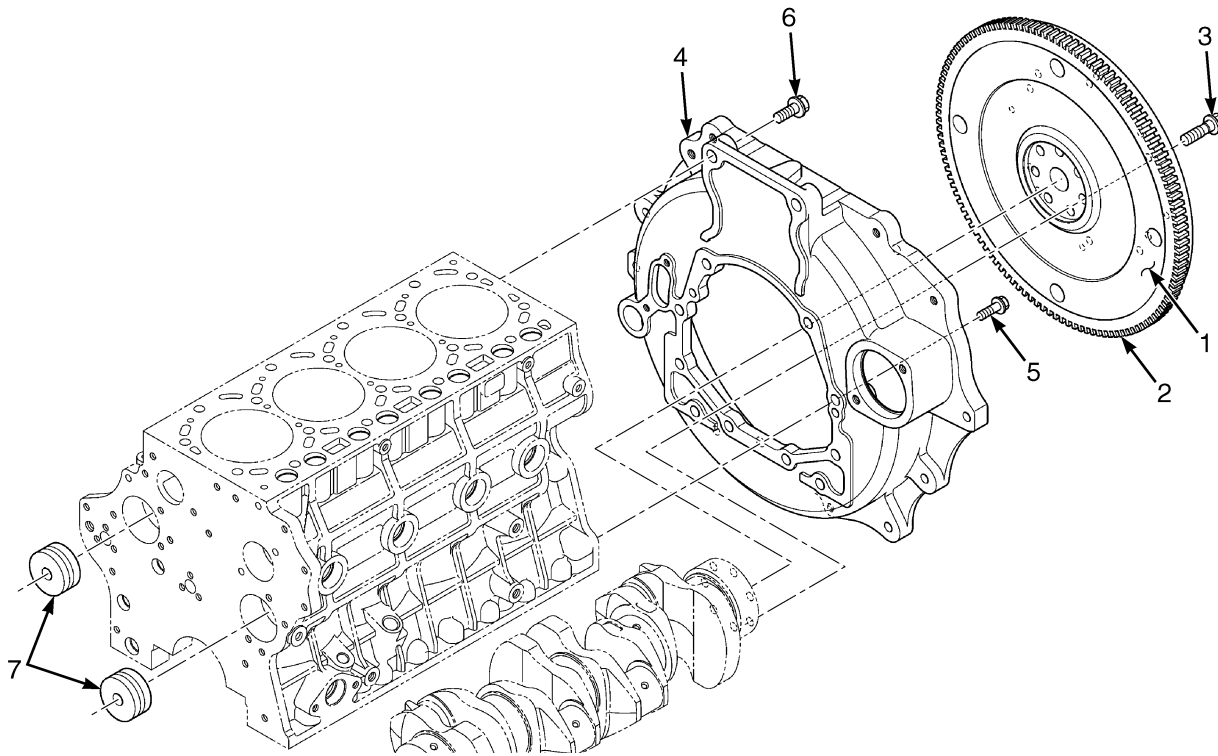


BP110103

EXHAUST SYSTEM
OVERHEAD EXHAUST LWB – 3.8L WITH DPF

ITEM	PART NO.	DESCRIPTION	QTY
1	4052515	Exhaust Pipe	1
2	4053068	Bracket Wldmt	1
3	30375	Clamp (Includes Hardware)	2
4	4032888	Gasket	2
5	1480237	Nut	7
6	1527880	Capscrew	3
7	4027330	Locknut	8
8	4054231	Bracket	1
9	1510113	Capscrew	4
10	4620363	Diesel Particulate Filter (DPF) (☞ Figure 2-71).....	1
11	4051527	Bracket	2
12	1527885	Capscrew	12
13	1460477	Nut	12
14	4053250	Bracket	1
15	1514429	Nut	4
16	1531001	Insert	2
17	1527876	Capscrew	4
18	1509890	Clip	1
19	1509888	Clip	1
20	4075462	Mounting Weldment	1
21	18515	Washer	4
22	1393879	Nut	4
23	4053065	Exhaust Pipe	1
24	4053055	Exhaust Pipe	1
25	30372	Clamp	2
26	4032888	Gasket	1
27	4027330	Locknut	4
28	1664474	Overhead Exhaust	1
29	1510117	Capscrew	3
30	1668428	Cover	1
31	4082011	Bracket (DPF Sensor Bracket)	1

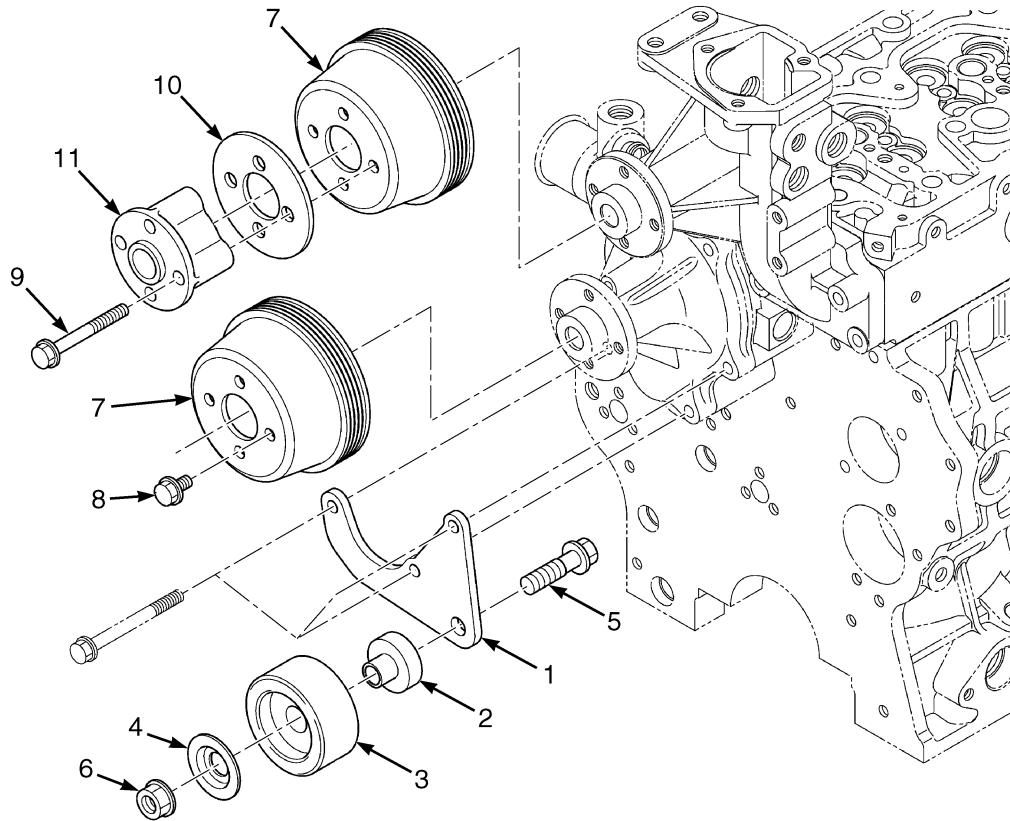
FLYWHEEL AND HOUSING (FIGURE 2-17) KUBOTA DIESEL — 3.6L, 3.8L



BP090484

ITEM	PART NO.	DESCRIPTION	QTY
	4620483	Engine Assy-Diesel (3.8L)	1
	4615470	Engine Assy-Diesel (3.6L)	1
1	4042205		
	4074580	Flywheel	1
2	4074584		
	4042207	Ring Gear	1
3	4042208	Bolt (3.8L)	7
3	4042208	Bolt (3.6L)	10
4	4042209	Housing (Flywheel) (3.8L)	1
4	4042317	Housing (Flywheel) (3.6L)	1
5	4042210	Bolt	10
6	4042211	Bolt	2
7	4042212	Cover (Balancer) (3.6L)	2

FAN PULLEY (FIGURE 2-18)
KUBOTA DIESEL — 3.6L, 3.8L



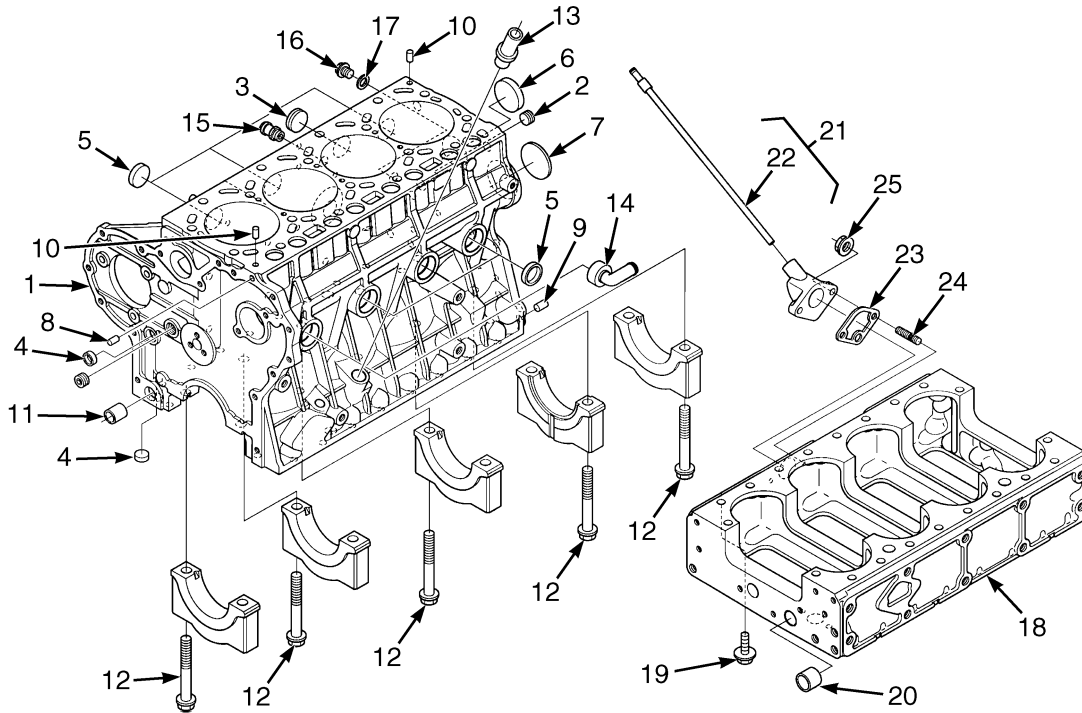
BP090490

ITEM	PART NO.	DESCRIPTION	QTY
	4620483	Engine Assy-Diesel (3.8L)	1
	4615470	Engine Assy-Diesel (3.6L)	1
	4042325	Pulley Assembly (Idle)	1
1	4042326	Plate	1
2	4042327	Shaft	1
3	4042328	Pulley	1
4	4041916	Cover (Tensioner)	1
5	4041922	Bolt	1
6	4041964	Nut	1
7	4042071	Fan Pulley	2
8	4041992	Bolt	4
9	4042043	Bolt	4
10	4042106	Washer	1
11	4042107	Collar	1

**CYLINDER BLOCK
KUBOTA DIESEL – 3.6L**

ITEM	PART NO.	DESCRIPTION	QTY
	4615470	Engine Assy-Diesel (3.6L)	1
1	4041913	Short Block	1
2	4041906	Plug	3
3	4041915	Plug	2
4	4041907	Plug	1
5	4041908	Plug	1
6	4041909	Cap (Sealing)	4
7	4041910	Cap (Sealing)	9
8	4041911	Cap (Sealing)	1
9	4041917	Plug	1
10	4041918	Pin	1
11	4041919	Pin	4
12	4041920	Pin	2
13	4041921	Pin	1
14	4041914	Bolt (Bearing Case)	10
15	4041923	Pipe (Oil)	1
16	4041928	Joint (Water)	1
17	4041929	Plug	1
18	4041930	Gasket	1
19	4041953	Block (Lower)	1
20	4041932	Bolt	16
21	4041933	Pin	1
22	4042143	Plug	1

CYLINDER BLOCK (FIGURE 2-20) KUBOTA DIESEL — 3.8L

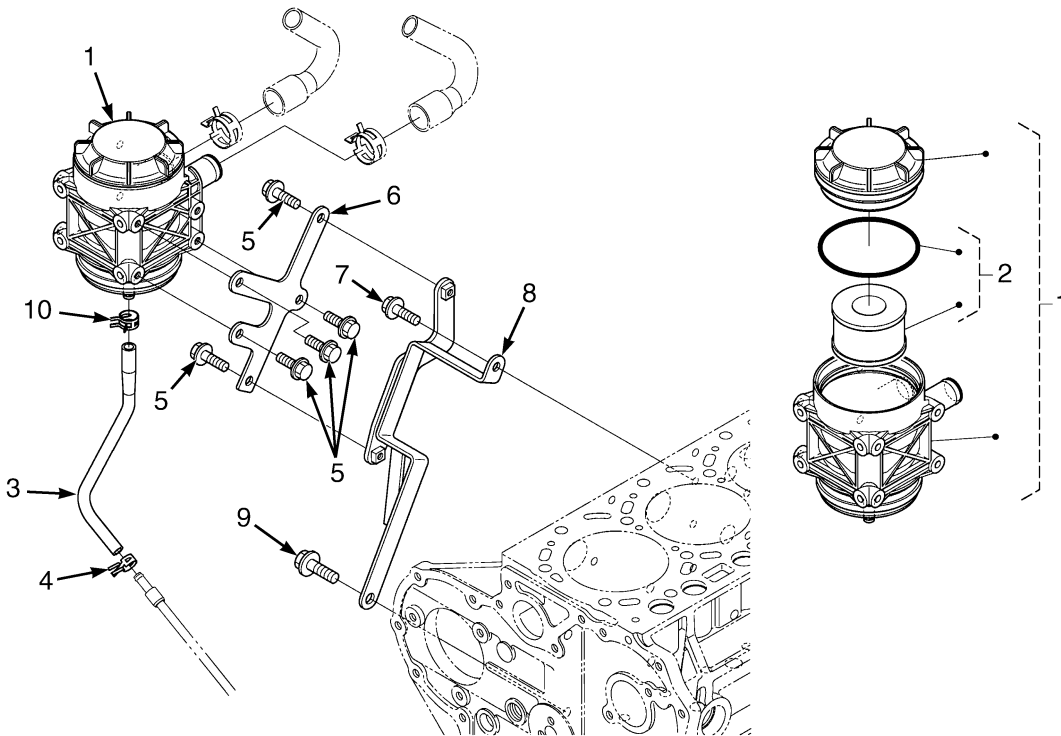


BP090635

ITEM	PART NO.	DESCRIPTION	QTY
	4620483	Engine Assy-Diesel (3.8L)	1
1	4054580	Short Block	1
2	4041907	Plug	1
3	4041908	Plug	1
4	4041909	Cap (Sealing)	4
5	4041910	Cap (Sealing)	9
6	4041911	Cap (Sealing)	1
7	4041917	Plug	1
8	4054581	PIN	1
9	4041919	Pin	4
10	4041920	Pin	2
11	4041921	Pin	1
12	4041914	Bolt (Bearing Case)	10
13	4041923	Pipe (Oil)	1
14	4041925	Pipe Joint	1
15	4041928	Joint (Water)	1
16	4041929	Plug	1
17	4041930	Gasket	1
18	4054582	Block (Lower)	1
19	4041932	Bolt	16
20	4041933	Pin	1
21	4042220	Flange Assembly	1
22	4042222	Pipe	1
23	4042223	Gasket	1
24	4042010	Stud	2

ITEM	PART NO.	DESCRIPTION	QTY
25	4041946	Nut	2

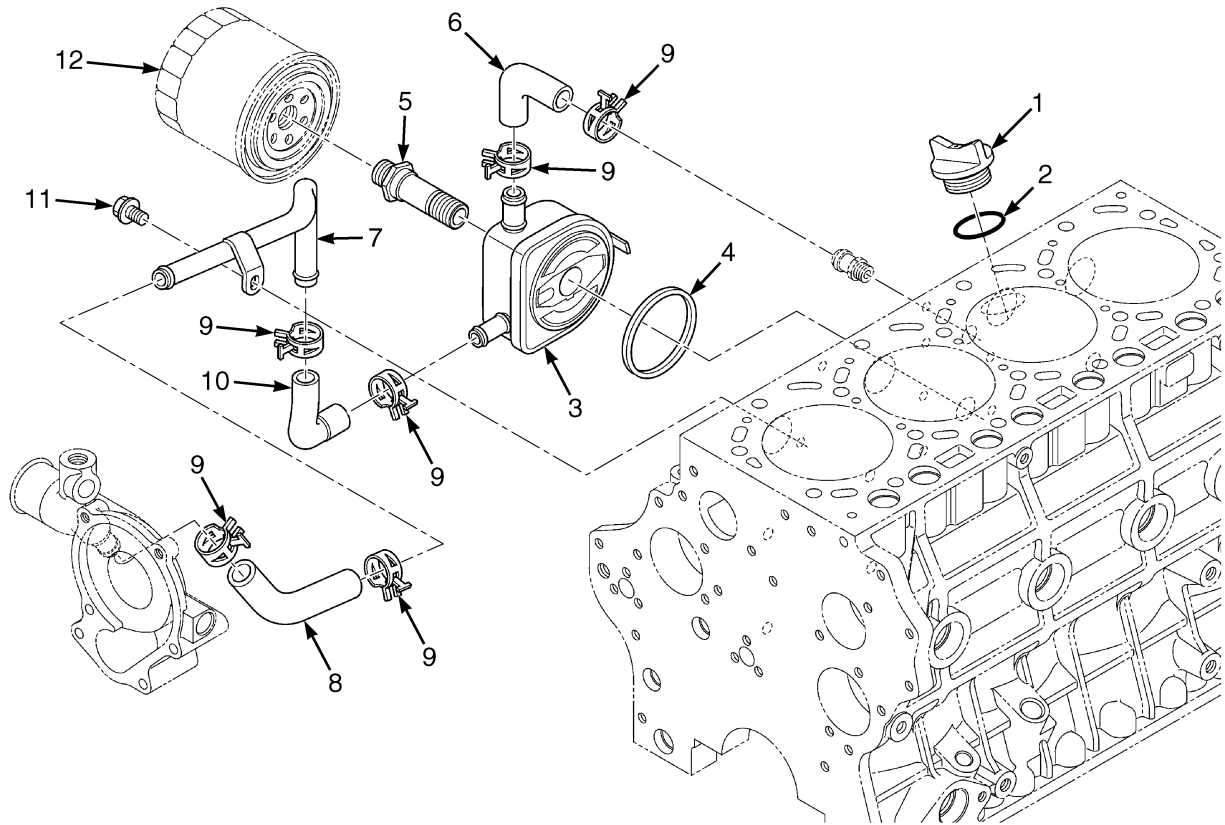
OIL SEPARATOR (FIGURE 2-21) KUBOTA DIESEL — 3.8L



BP090636

ITEM	PART NO.	DESCRIPTION	QTY
	4620483	Engine Assy-Diesel (3.8L)	1
1	4042028	Separator (Crankcase Breather Filter)	1
2	4047237	Kit-Filter Element	1
3	4042031	Tube (Oil Return)	1
4	4042033	Hose Clamp	1
5	4041944	Bolt	5
6	4054771	Bracket	1
7	Bolt	1
8	4054772	Bracket	1
9	4042034	Bolt	1
10	4042032	Hose Clamp	1

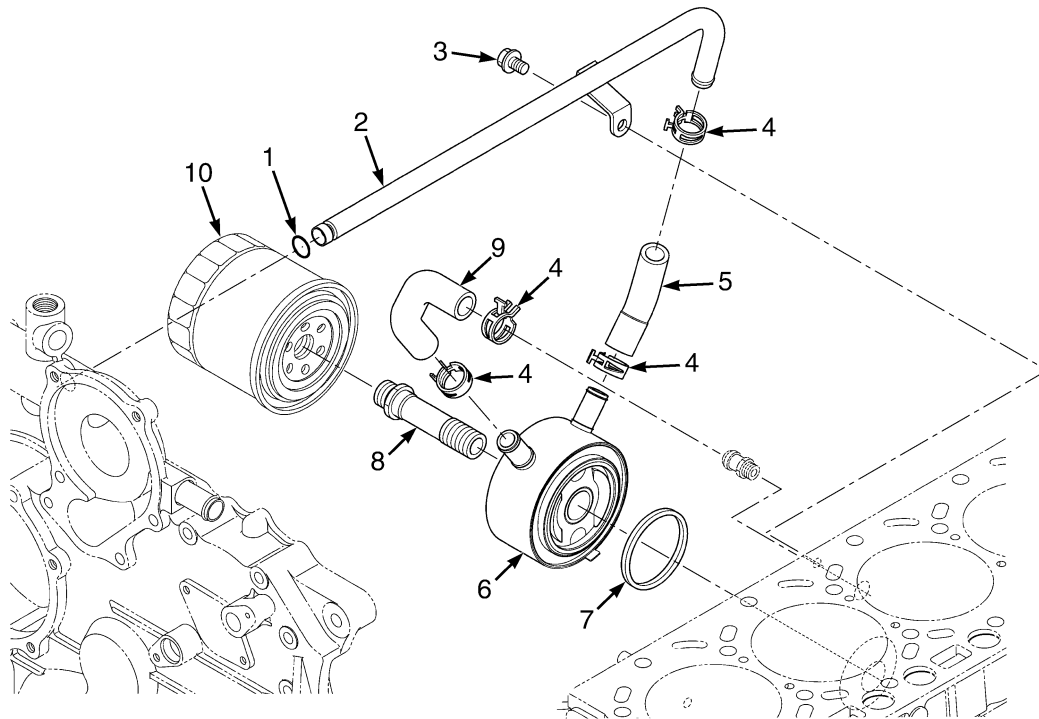
**OIL COOLER (FIGURE 2-22)
KUBOTA DIESEL — 3.6L**



BP090502

ITEM	PART NO.	DESCRIPTION	QTY
	4615470	Engine Assy-Diesel (3.6L)	1
1	4042217	Plug	1
1	4042218	Plug	1
2	4042131	O-Ring	1
3	4042236	Oil Cooler	1
4	4041927	Gasket	1
5	4042240	Joint (Oil Cooler)	1
6	4042237	Hose	1
7	4042311	Pipe	1
8	4042312	Pipe	1
9	4042015	Hose Clamp	6
10	4042238	Hose	1
11	4042035	Bolt	1
12	4042216	Cartridge (Oil Filter)	1

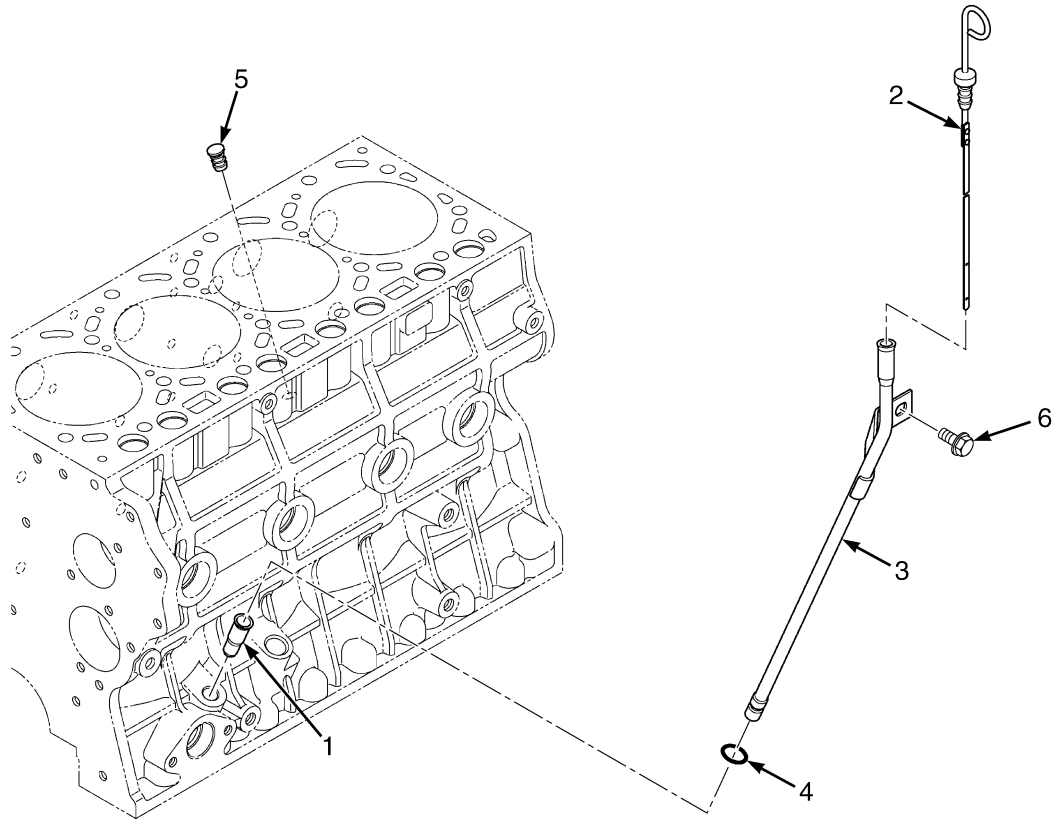
OIL COOLER (FIGURE 2-23) KUBOTA DIESEL — 3.8L



BP090577

ITEM	PART NO.	DESCRIPTION	QTY
	4620483	Engine Assy-Diesel (3.8L)	1
1	4054786	O-Ring	1
2	4054785	Pipe (Oil Cooler)	1
3	4042035	Bolt	1
4	4042015	Hose Clamp	4
5	4054783	Hose	1
6	4054781	Oil Cooler	1
7	4041927	Gasket	1
8	4054784	Joint	1
9	4054782	Hose	1
10	4042216	Cartridge (Oil Filter)	1

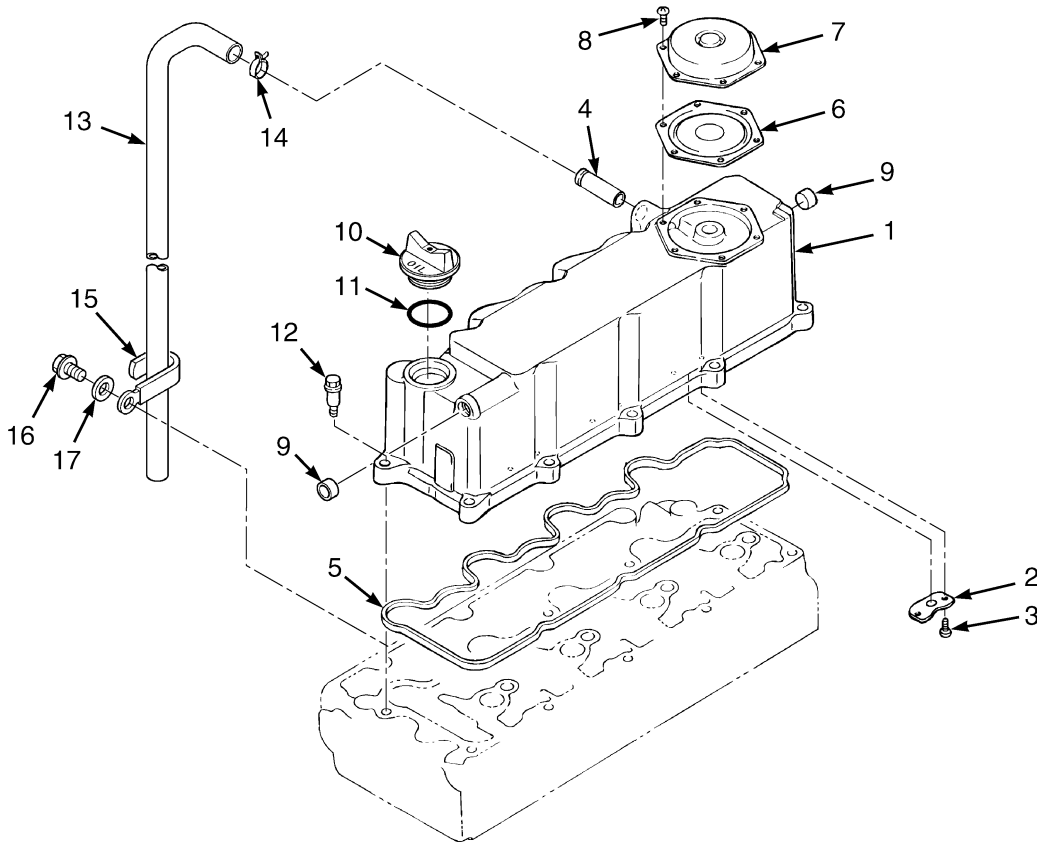
DIPSTICK (FIGURE 2-24)
KUBOTA DIESEL — 3.6L, 3.8L



BP090480

ITEM	PART NO.	DESCRIPTION	QTY
	4620483	Engine Assy-Diesel (3.8L)	1
	4615470	Engine Assy-Diesel (3.6L)	1
1	4042232	Guide	1
2	4042230	Dipstick	1
3	4042231	Dipstick Tube (3.6L)	1
3	4074569	Guide (Dipstick Tube) (3.8L)	1
4	4042233	O-Ring	1
5	4042234	Plug	1
6	4042035	Bolt	1

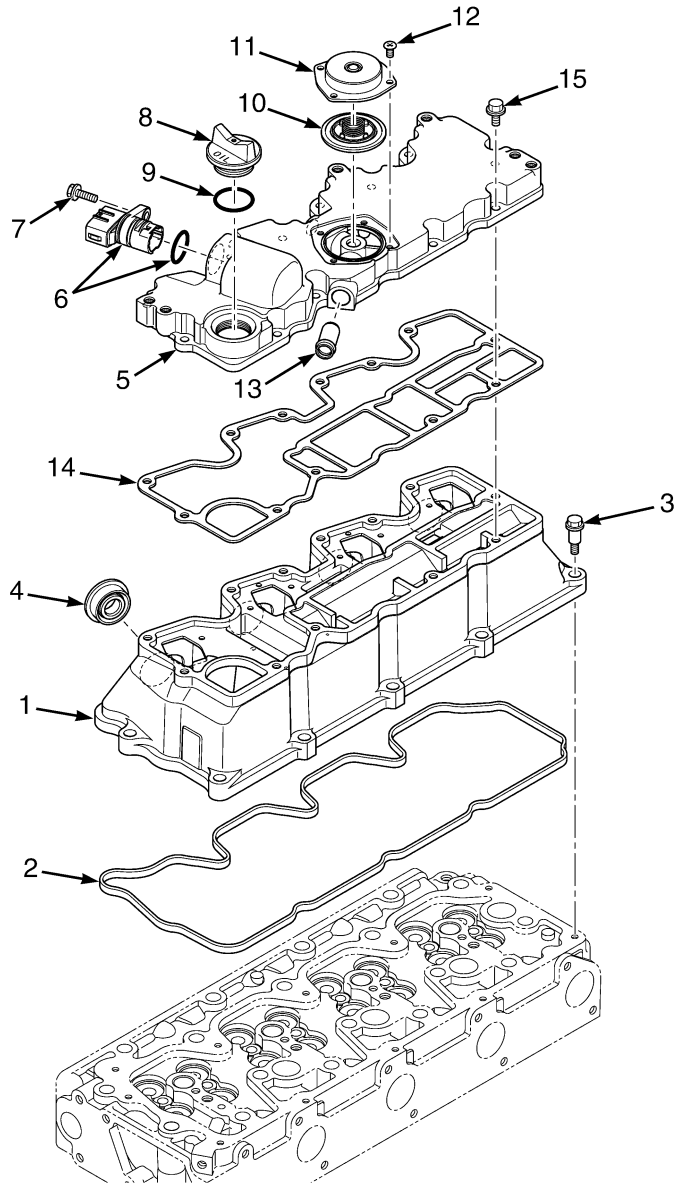
CYLINDER HEAD COVER (FIGURE 2-25) KUBOTA DIESEL — 3.6L



BP090528

ITEM	PART NO.	DESCRIPTION	QTY
	4615470	Engine Assy-Diesel (3.6L)	1
1	4042170	Cover (Cylinder Head)	1
2	4042171	Shield	3
3	4042172	Screw	6
4	4042008	Joint (Breather Pipe)	1
5	4042176	Gasket (Cylinder Cover)	1
6	4042191	Valve (Breather)	1
7	4042192	Cover (Breather)	1
8	4042126	Screw	6
9	4042200	Cap	2
10	4042130	Plug	1
11	4042131	O-Ring	1
12	4042116	Bolt	10
13	4042201	Pipe (Breather)	1
14	4042203	Band (Clamp)	1
15	4042206	Clamp	1
16	4042034	Bolt	1
17	4042221	Washer	1
	4051069	Kit-Gasket Upper	1

CYLINDER HEAD COVER (FIGURE 2-26) KUBOTA DIESEL — 3.8L

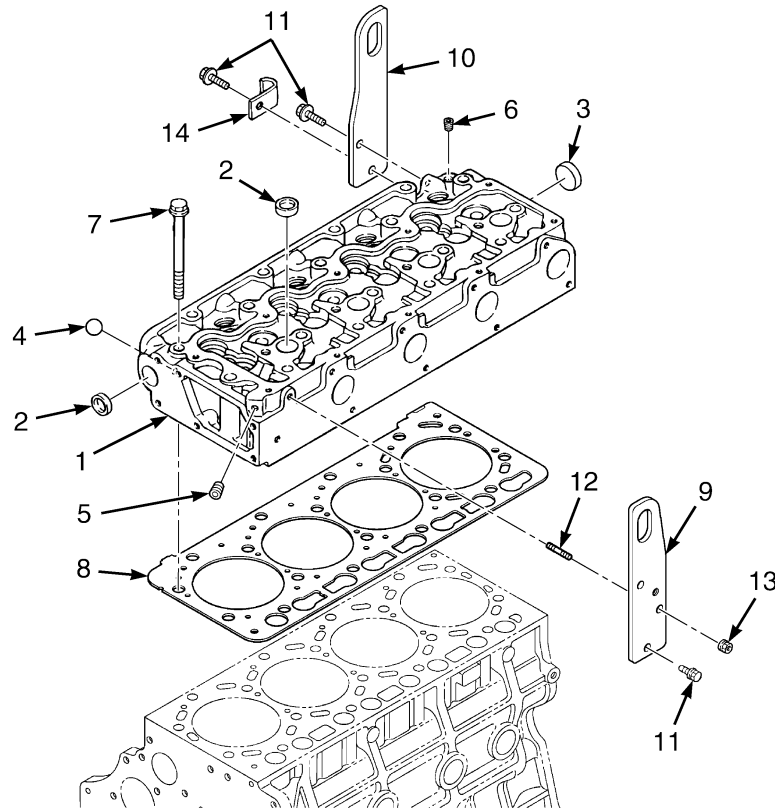


BP090562

**CYLINDER HEAD COVER
KUBOTA DIESEL – 3.8L**

ITEM	PART NO.	DESCRIPTION	QTY
	4620483	Engine Assy-Diesel (3.8L)	1
1	4054588	Cover Assembly (Cylinder Head)	1
2	4042114	Gasket	1
3	4042116	Bolt	10
4	4042115	Seal (Injection Pipe)	4
5	4054589	Cover Assembly (Cylinder Head)	1
6	4042127	Connector	1
7	4042128	Bolt	1
8	4074572	Plug Assembly (Assembly)	1
8	4042130	Plug	1
9	4042131	O-Ring	1
10	4042124	Valve (Breather)	1
11	4042125	Cover (Breather)	1
12	4042126	Screw	4
13	4042008	Joint (Breather Pipe)	1
14	4054590	Gasket	1
15	4042128	Bolt	13

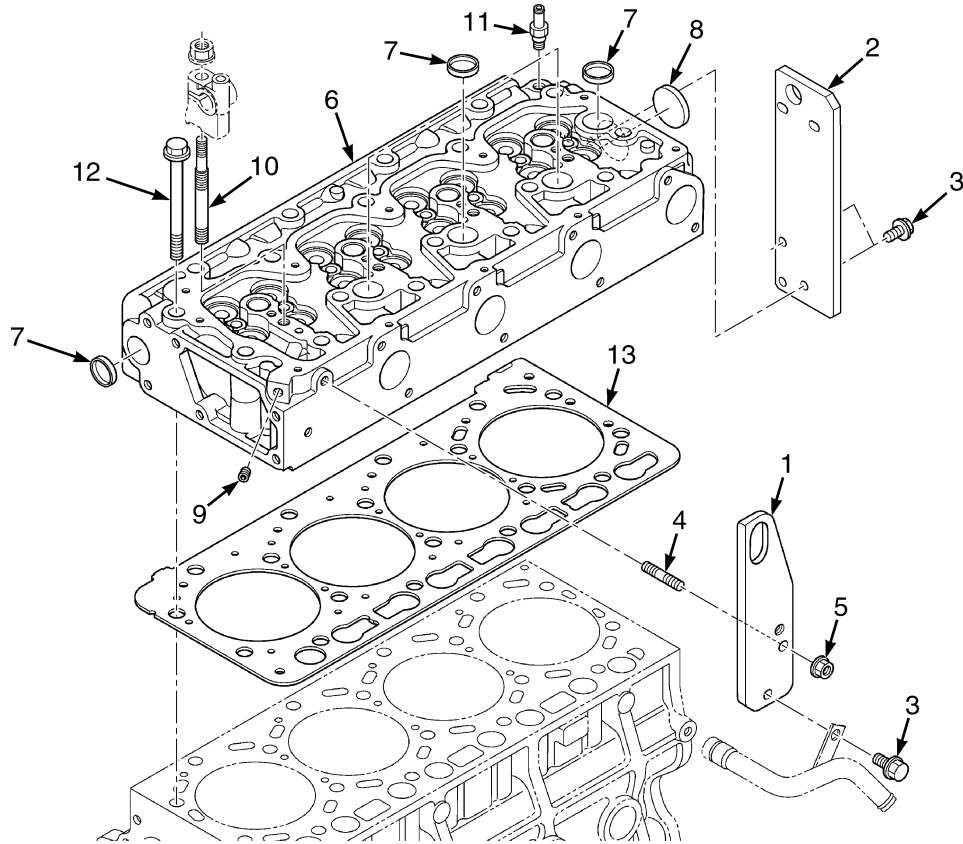
CYLINDER HEAD (FIGURE 2-27) KUBOTA DIESEL — 3.6L



BP090529

ITEM	PART NO.	DESCRIPTION	QTY
	4615470	Engine Assy-Diesel (3.6L)	1
1	4042022	Cylinder Head Assembly (☞ Figure 2-29).....	1
2	4041950	Cap	5
3	4041951	Cap	1
4	4042026	Ball	4
5	4041906	Plug	1
6	4041915	Plug	1
7	4041965	Bolt	18
8	4042045	Cylinder Head Gasket (Standard Two Notch)	1
8	4042079	Cylinder Head Gasket (One Notch Option)	1
8	4042093	Cylinder Head Gasket (Not Notched Option)	1
9	4041968	Lifting Eye	1
10	4042004	Lifting Eye	1
11	4041992	Bolt	3
12	4042010	Stud	1
13	4041946	Nut	1
14	4042012	Clamp	1

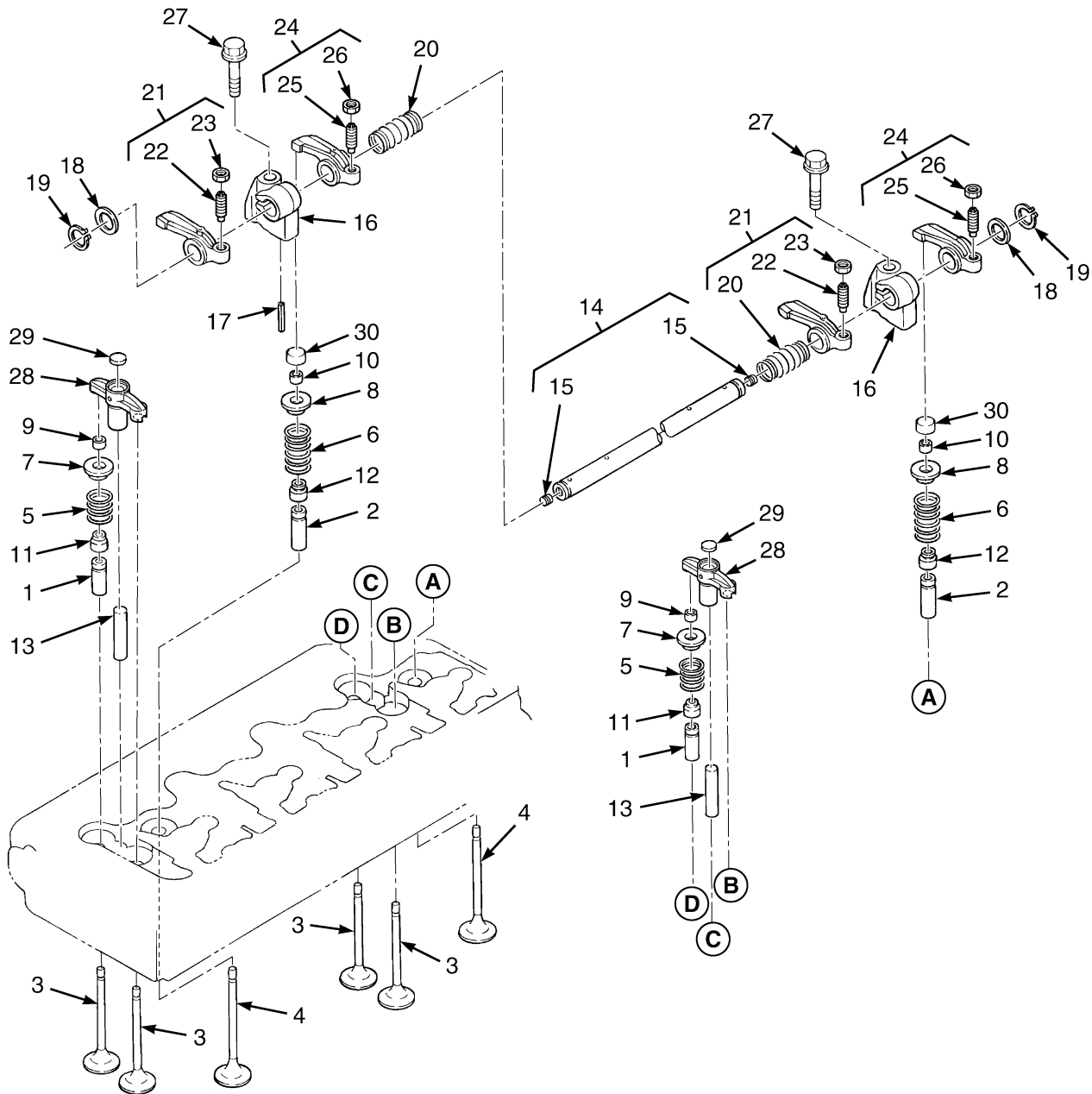
**CYLINDER HEAD (FIGURE 2-28)
KUBOTA DIESEL — 3.8L**



BP090560

ITEM	PART NO.	DESCRIPTION	QTY
	4620483	Engine Assy-Diesel (3.8L)	1
1	4041968	Lifting Eye	1
2	4054583	Lifting Eye	1
3	4054759	Bolt	4
4	4042010	Stud	1
5	4041946	Nut	1
6	4041947	Cylinder Head (☞ Figure 2-30).....	1
7	4041950	Cap	5
8	4041951	Cap	1
9	4041906	Plug	1
10	4041963	Stud	4
11	4054584	Connector (Water Pipe)	1
12	4041965	Bolt	18
13	4041966	Cylinder Head Gasket (with Two Notches)	1
13	4048324	Cylinder Head Gasket (with One Notch)	1
13	4048325	Cylinder Head Gasket (with No Notches)	1

ROCKER ARM ASSEMBLY (FIGURE 2-29) WITH INLET AND EXHAUST VALVES — KUBOTA DIESEL (3.6L)

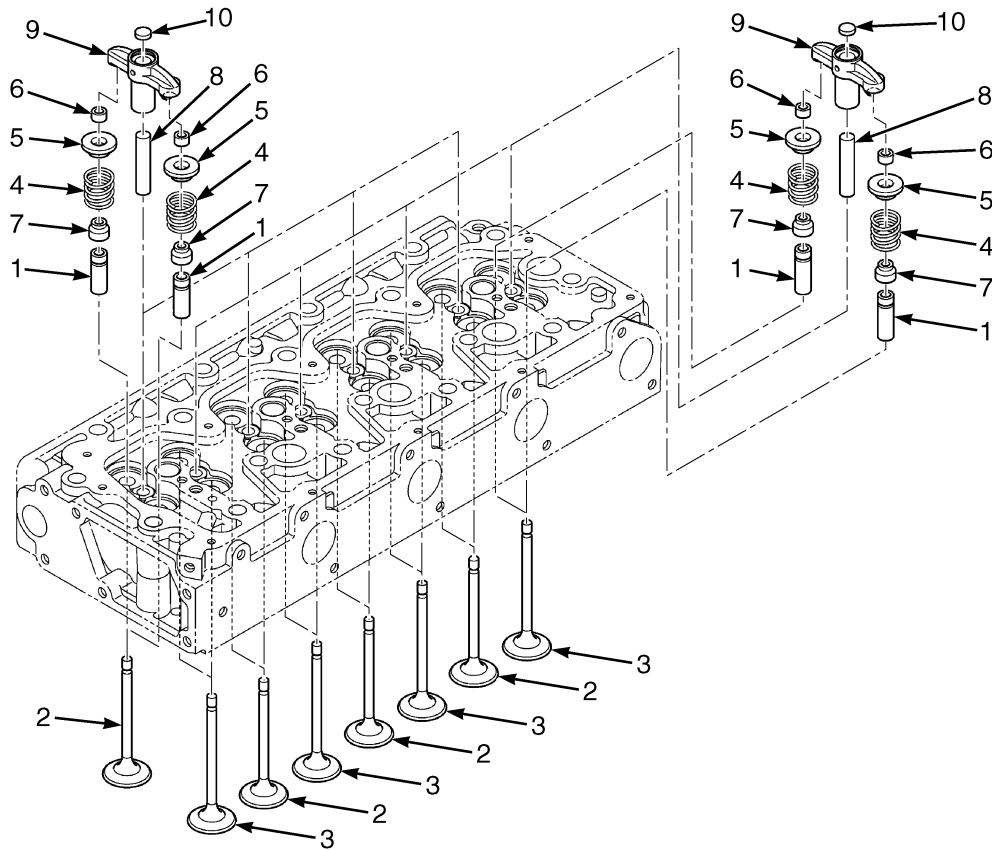


BP090530

**ROCKER ARM ASSEMBLY
WITH INLET AND EXHAUST VALVES – KUBOTA DIESEL (3.6L)**

ITEM	PART NO.	DESCRIPTION	QTY
	4615470	Engine Assy-Diesel (3.6L)	1
	4042022	Cylinder Head Assembly	1
1	4041952	Guide (Exhaust Valve)	8
2	4042101	Guide (Exhaust Valve)	4
3	4042105	Valve (Intake)	8
4	4042111	Valve (Exhaust)	4
5	4041957	Spring (Intake)	8
6	4042119	Spring (Exhaust)	4
7	4041958	Retainer (Valve Spring Intake)	8
8	4042122	Retainer (Valve Spring Exhaust)	4
9	4041959	Collar (Valve Spring Intake)	8
10	4097922		
	4042129	Collar (Valve Spring Exhaust)	4
11	4041960	Seal (Valve Stem) (Intake)	8
12	4042147	Seal (Valve Stem Exhaust) (Exhaust)	4
13	4041962	Shaft (Valve)	4
14	4042151	Shaft Assembly (Rocker Arm)	1
15	4042094	Screw	2
16	4042153	Bracket (Rocker Arm)	4
17	4042096	Pin (Spring)	1
18	4042097	Washer	2
19	4042098	Retaining Ring	2
20	4042099	Spring	3
21	4042154	Rocker Arm (Intake)	4
22	4042155	Screw	4
23	4042103	Nut	4
24	4042157	Rocker Arm (Exhaust)	4
25	4042155	Screw	4
26	4042103	Nut	4
27	4042161	Bolt	4
28	4042109	Arm	4
29	4042110	Pad	4
30	4042168	Cap	4
	4051069	Kit-Gasket Upper	1

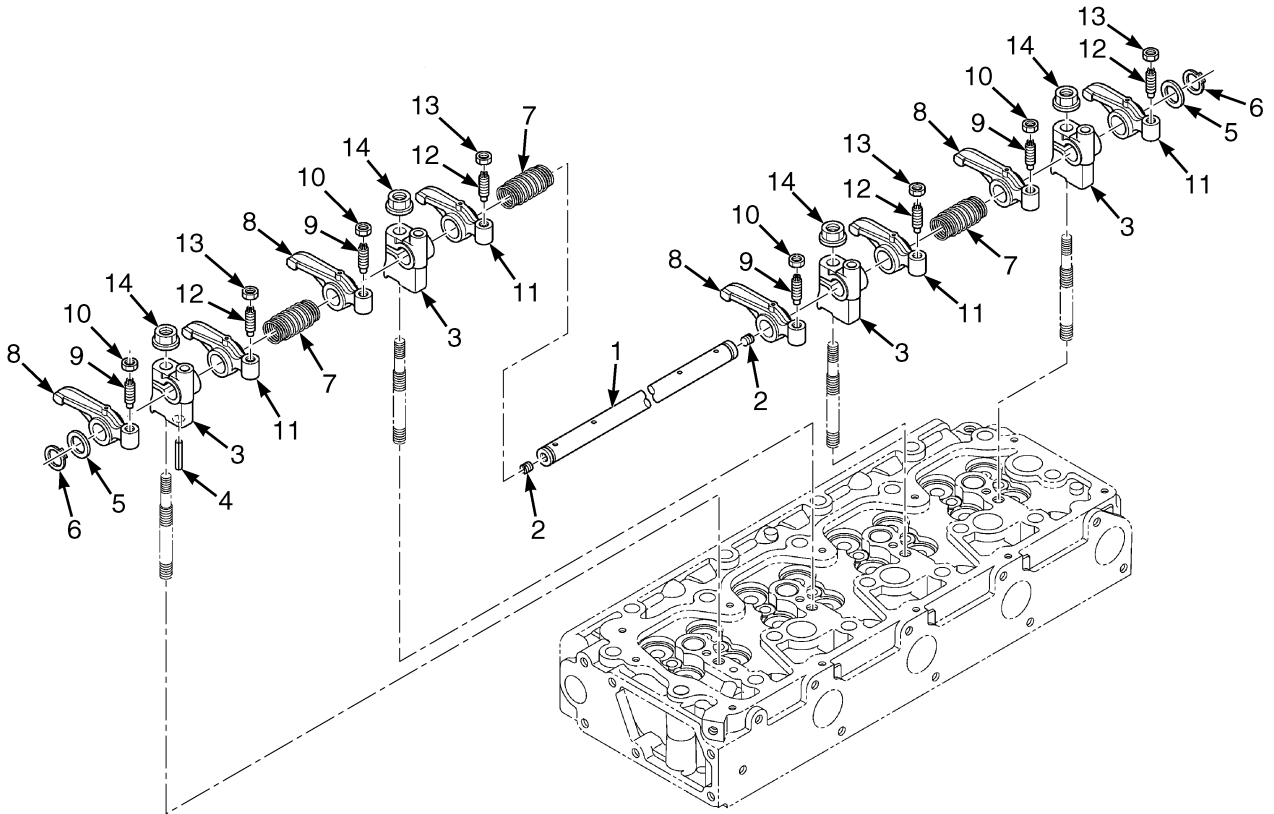
INLET AND EXHAUST VALVES (FIGURE 2-30) KUBOTA DIESEL — 3.8L



BP090507

ITEM	PART NO.	DESCRIPTION	QTY
	4620483	Engine Assy-Diesel (3.8L)	1
1	4041952	Guide (Exhaust Valve)	16
2	4041955	Inlet Valve	8
3	4041956	Exhaust Valve	8
4	4041957	Spring	16
5	4041958	Retainer	16
6	4041959	Collar	16
7	4041960	Seal (Valve Stem)	16
8	4041962	Shaft	8
9	4042109	Arm	8
10	4042110	Pad	8

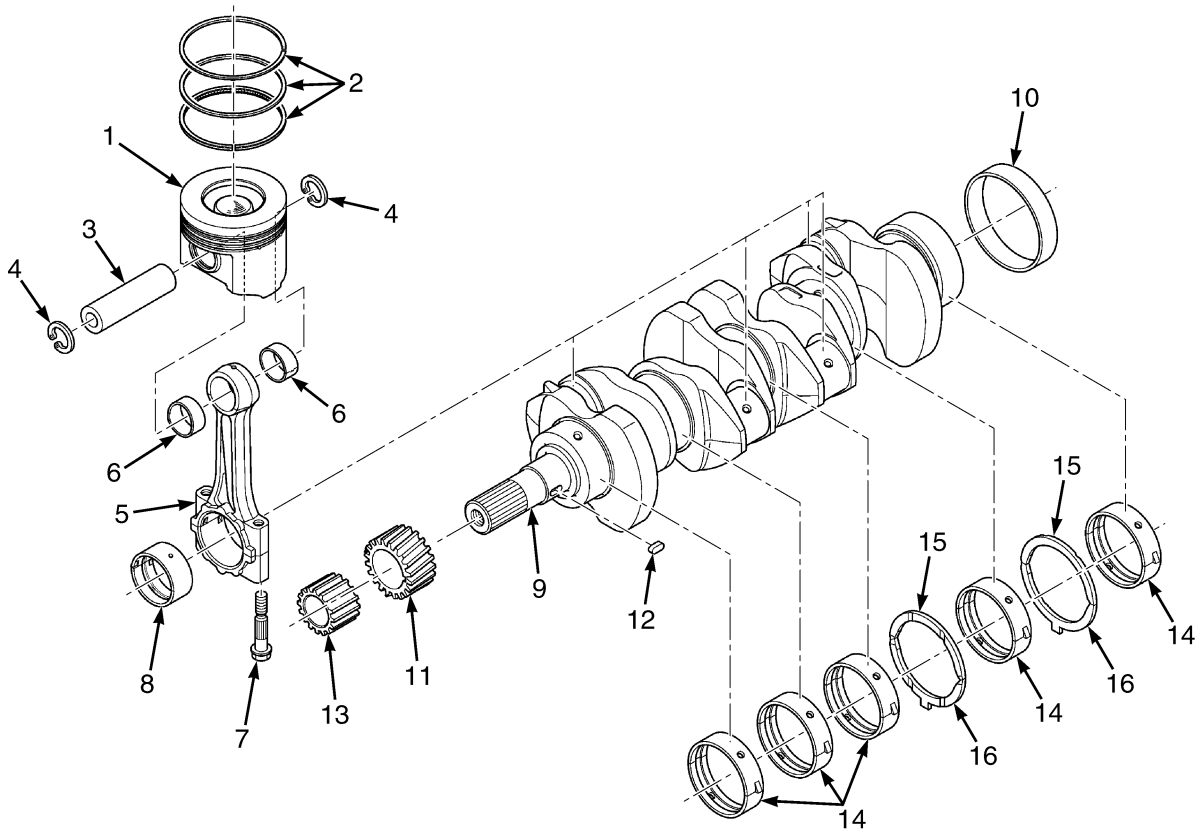
**ROCKER ARM SHAFT (FIGURE 2-31)
KUBOTA DIESEL — 3.8L**



BP090504

ITEM	PART NO.	DESCRIPTION	QTY
	4620483	Engine Assy-Diesel (3.8L)	1
1	4042092	Shaft Assy (Rocker Arm)	1
2	4042094	Screw	2
3	4042095	Bracket	4
4	4042096	Pin (Spring)	1
5	4042097	Washer	2
6	4042098	Retaining Ring	2
7	4042099	Spring	3
8	4042100	Rocker Arm Assy (Intake)	4
9	4042155	Screw	1
10	4042103	Nut	1
11	4042104	Rocker Arm Assy (Exhaust)	4
12	4042155	Screw	1
13	4042103	Nut	1
14	4042108	Nut	8

PISTON AND CRANKSHAFT (FIGURE 2-32) KUBOTA DIESEL — 3.6L

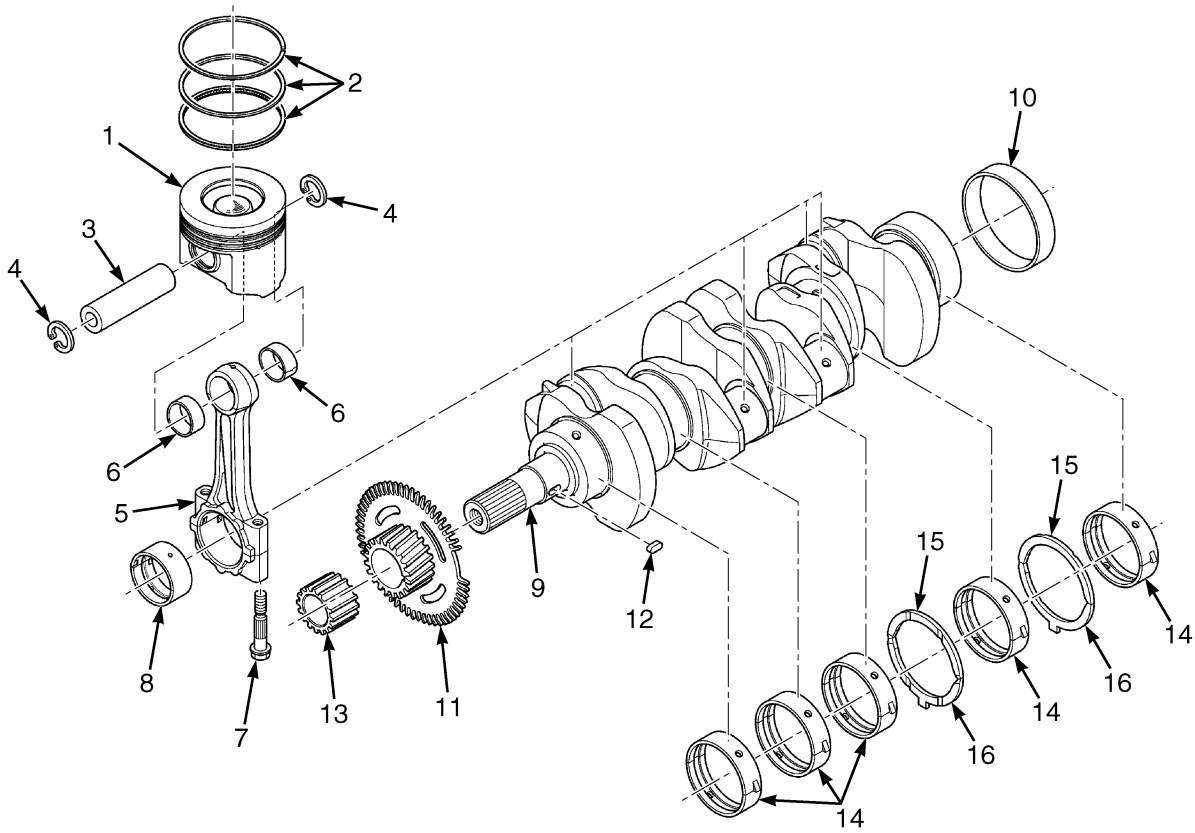


BP090561

**PISTON AND CRANKSHAFT
KUBOTA DIESEL – 3.6L**

ITEM	PART NO.	DESCRIPTION	QTY
	4615470	Engine Assy-Diesel (3.6L)	1
1	4042252	Piston (Standard)	4
1	4042263	Piston (+0.50mm)	4
2	4042269	Piston Ring (Standard)	4
2	4042282	Piston Ring (+0.50mm)	4
3	4042173	Pin	4
4	4042174	Retaining Ring	8
5	4042175	Rod Assy	4
6	4042229	Bushing	2
7	4042180	Bolt	2
8	4042181	Piston Rod Bearing (Standard/Blue)	2
8	4042182	Piston Rod Bearing (Standard)	2
8	4042163	Piston Rod Bearing (-0.20mm Green)	2
8	4042165	Piston Rod Bearing (-0.40mm Red)	2
9	4042283	Crankshaft	1
10	4042185	Sleeve	1
11	4042287	Gear (Crankshaft)	1
12	4042189	Key	1
13	4042193	Drive Gear	1
14	4042186	Crankshaft Bearing (Standard)	5
14	4042177	Crankshaft Bearing (-0.20mm)	5
14	4042178	Crankshaft Bearing (-0.40mm)	5
15	4042187	Thrust Washer (Standard)	2
15	4042204	Thrust Washer (+0.20 mm)	2
15	4042215	Thrust Washer (+0.40mm)	2
16	4042188	Thrust Washer (Standard)	2
16	4042219	Thrust Washer (+0.20 mm)	2
16	4042224	Thrust Washer (+0.40mm)	2
	4042304	Kit-Piston (Standard)	1
	4042305	Kit-Piston (+0.50mm)	1
	4042291	Kit-Crankshaft Bearing (Standard)	1
	4042297	Kit-Crankshaft Bearing (-0.20 mm)	1
	4042303	Kit-Crankshaft Bearing (-0.40mm)	1

PISTON AND CRANKSHAFT (FIGURE 2-33) KUBOTA DIESEL — 3.8L

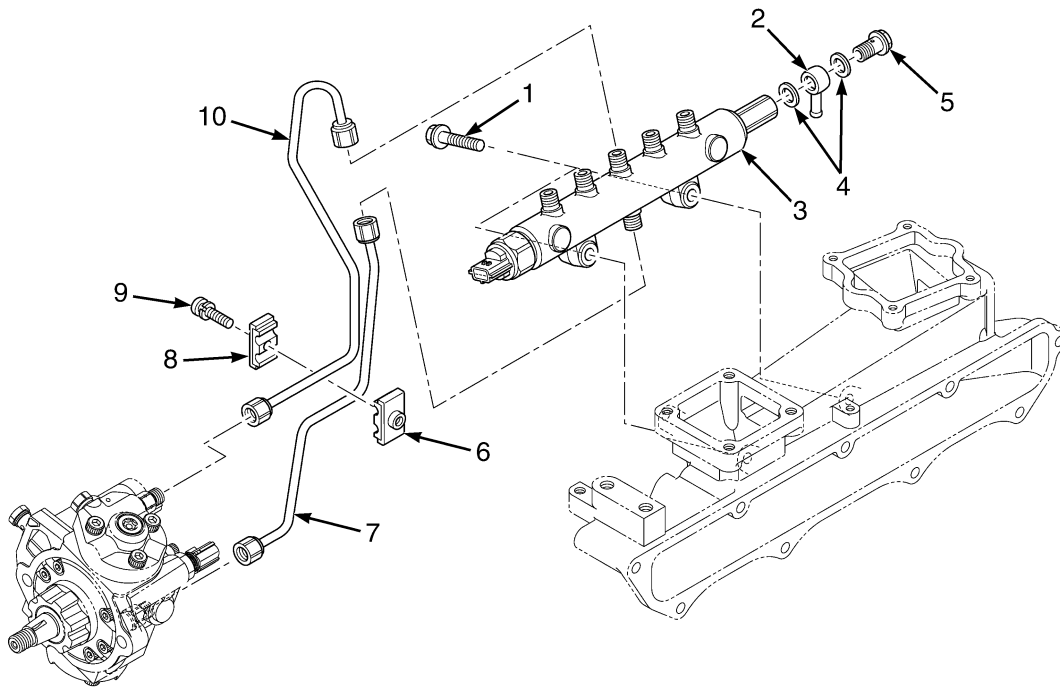


BP090497

**PISTON AND CRANKSHAFT
KUBOTA DIESEL – 3.8L**

ITEM	PART NO.	DESCRIPTION	QTY
	4620483	Engine Assy-Diesel (3.8L)	1
1	4042166	Piston (Standard)	4
1	4042144	Piston (+0.50mm)	4
2	4042167	Piston Ring (Standard)	4
2	4042146	Piston Ring (+0.50mm)	4
3	4042173	Pin	4
4	4042174	Retaining Ring	8
5	4042175	Rod Assy	4
6	4042229	Bushing	2
7	4042180	Bolt	2
8	4042181	Piston Rod Bearing (Standard/Blue)	1
8	4042182	Piston Rod Bearing (Standard)	1
8	4042163	Piston Rod Bearing (-0.20mm Green)	1
8	4042165	Piston Rod Bearing (-0.40mm Red)	1
9	4042183	Crankshaft	1
10	4042185	Sleeve	1
11	4042190	Gear (Crankshaft)	1
12	4042189	Key	1
13	4042193	Drive Gear	1
14	4042186	Crankshaft Bearing (Standard)	5
14	4042177	Crankshaft Bearing (-0.20mm)	5
14	4042178	Crankshaft Bearing (-0.40mm)	5
15	4042187	Thrust Washer (Standard)	2
15	4042204	Thrust Washer (+0.20 mm)	2
15	4042215	Thrust Washer (+0.40mm)	2
16	4042188	Thrust Washer (Standard)	2
16	4042219	Thrust Washer (+0.20 mm)	2
16	4042224	Thrust Washer (+0.40mm)	2
	4042239	Kit-Piston (Each Kit Services Only One Piston Assembly)	4
	4042245	Kit-Piston (+0.50mm)(Each Kit Services Only One Piston Assembly)	4
	4042291	Kit-Crankshaft Bearing (Standard)	1
	4042297	Kit-Crankshaft Bearing (-0.20 mm)	1
	4042303	Kit-Crankshaft Bearing (-0.40mm)	1

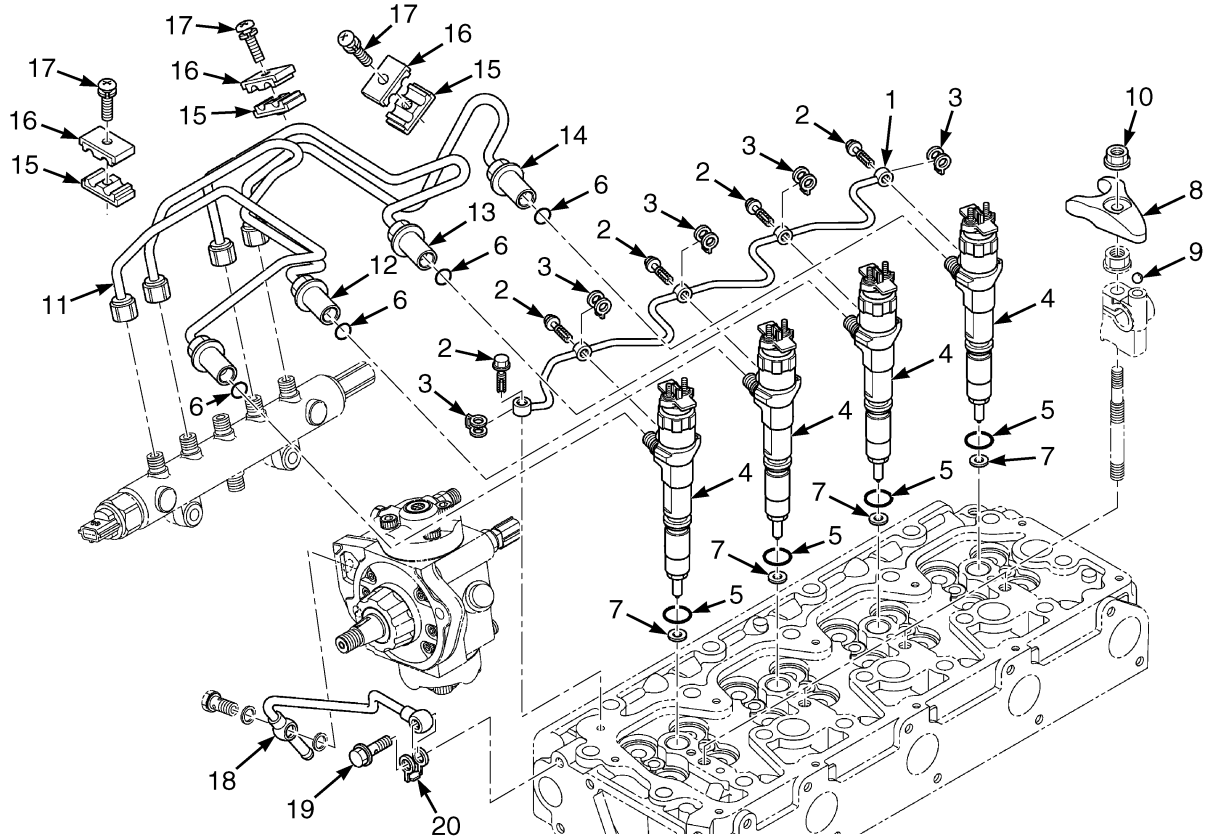
FUEL RAIL (FIGURE 2-34) KUBOTA DIESEL — 3.8L



BP090571

ITEM	PART NO.	DESCRIPTION	QTY
	4620483	Engine Assy-Diesel (3.8L)	1
1	4054646	Bolt (Flange)	2
2	Joint (Banjo Connector)	1
3	4042258	Rail	1
4	Gasket	2
5	4074585	Bolt	1
6	4042274	Clamp	1
7	4054648	Pipe (Injection)	1
8	4042275	Clamp	1
9	4042276	Screw	1
10	4054647	Pipe (Injection)	1

**INJECTION PIPE (FIGURE 2-35)
KUBOTA DIESEL — 3.8L**

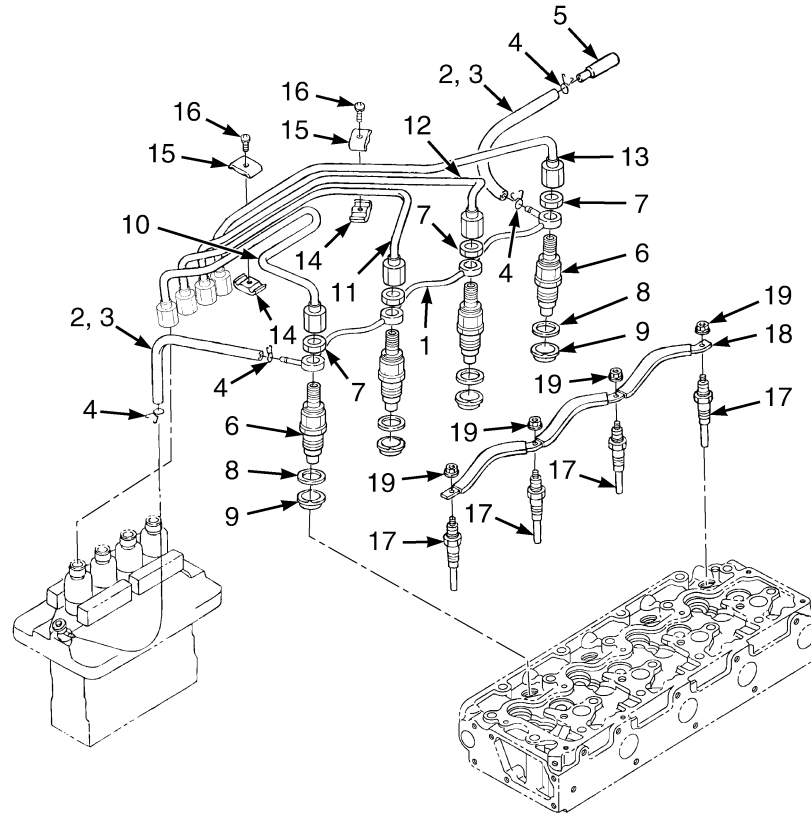


BP090500

ITEM	PART NO.	DESCRIPTION	QTY
	4620483	Engine Assy-Diesel (3.8L)	1
1	4042241	Pipe Assy (Over Flow)	1
2	4042242	Bolt	5
3	4054618	Gasket	5
4	4042264	Injector	4
5	4042265	O-Ring	4
6	4042266	O-Ring	4
7	4042267	Packing (Gasket)	4
8	4042268	Clamp	4
9	4042138	Ball	4
10	4041946	Nut	4
11	4054620	Pipe (Injection)	1
12	4054621	Pipe (Injection)	1
13	4054622	Pipe (Injection)	1
14	4054623	Pipe (Injection)	1
15	4042274	Clamp	3
16	4042275	Clamp	3
17	4042276	Screw	3
18	4054624	Pipe	1
19	4042226	Bolt	1
	4120028	Bolt	1

ITEM	PART NO.	DESCRIPTION	QTY
20	4042227	Gasket	1

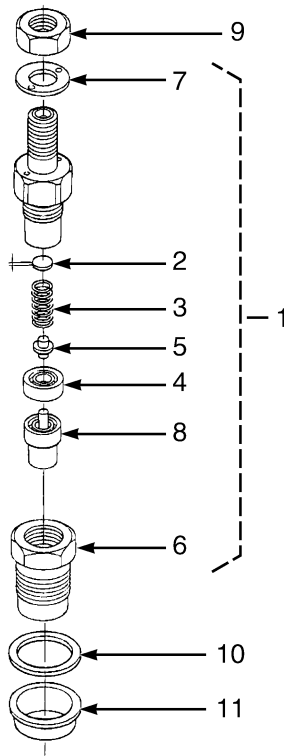
**NOZZLE HOLDER AND GLOW PLUG (FIGURE 2-36)
KUBOTA DIESEL — 3.6L**



BP090637

ITEM	PART NO.	DESCRIPTION	QTY
	4615470	Engine Assy-Diesel (3.6L)	1
1	4050939	Pipe	1
2	4050940	Pipe	2
3	4050941	Tube	2
4	4050921	Clamp	4
5	4050942	Joint	1
6	4050988	Injector Body	4
7	4050989	Nut	4
8	4051041	Gasket	4
9	4051042	Seal	4
10	4050944	Pipe (Injection)	1
11	4050945	Pipe (Injection)	1
12	4050946	Pipe (Injection)	1
13	4050947	Pipe (Injection)	1
14	4042274	Clamp	3
15	4042275	Clamp	3
16	4042276	Screw	3
17	4050985	Glow Plug	4
18	4050986	Strip (Glow Plug)	1
19	4050987	Nut	4
	4050943	Kit-Fuel Injector Nozzle	4
	4051069	Kit-Gasket Upper	1

INJECTOR BODY (FIGURE 2-37) KUBOTA 3.6L DIESEL



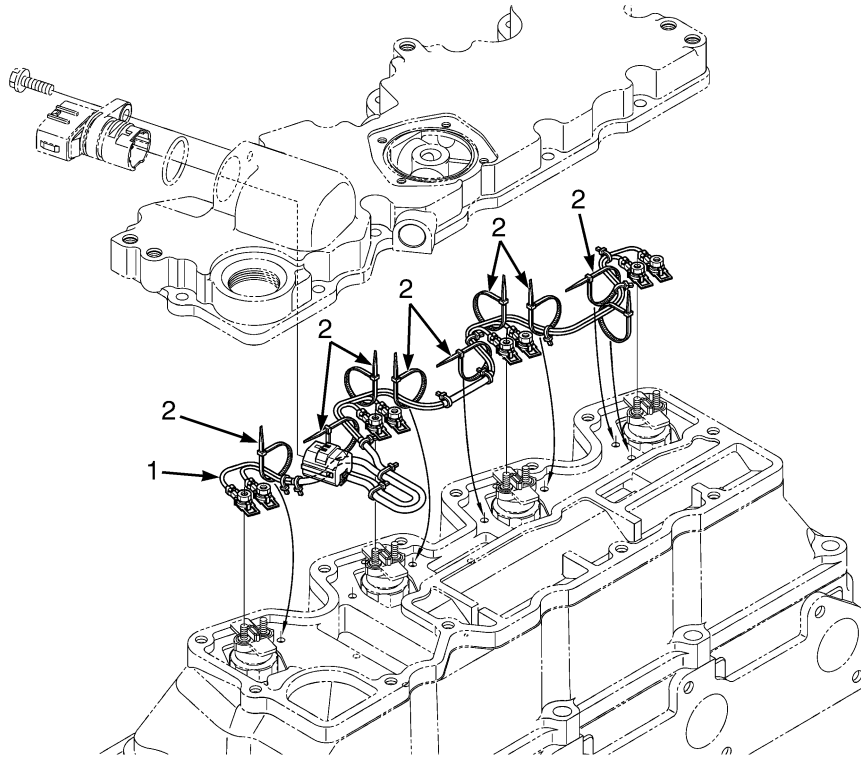
BP090638

ITEM	PART NO.	DESCRIPTION	QTY
	4050943	Kit-Fuel Injector Nozzle	1
1	4050988	Injector Body	1
2	4050990	Shim (0.9 mm)	1
3	4050991	Spring	1
4	4050992	Spacer	1
5	4050993	Push Rod	1
6	4050994	Nut	1
7	4050995	Washer	1
8	4050996	Nozzle	1
9	4050989	Nut	1
10	4051041	Gasket	1
11	4051042	Seal	1
	a 4050997	Kit-Shim	1

FOOTNOTES:

a Optional shims for item 2

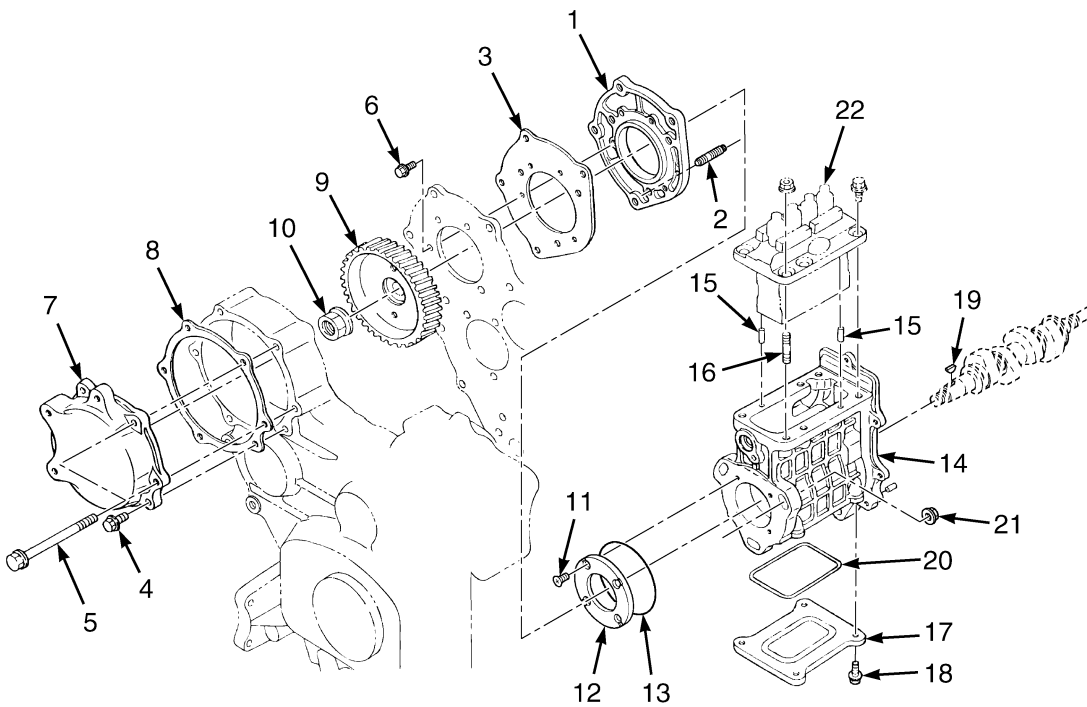
**INJECTOR HARNESS (FIGURE 2-38)
KUBOTA DIESEL — 3.8L**



BP090602

ITEM	PART NO.	DESCRIPTION	QTY
	4620483	Engine Assy-Diesel (3.8L)	1
1	4054654	Wire Harness (Kubota 3.8L Diesel) (Injector)	1
2	4042120	Band	8

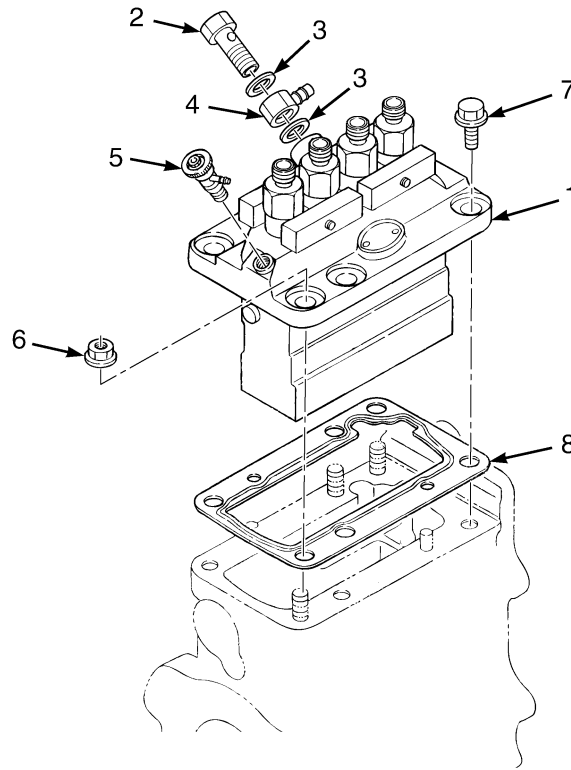
INJECTION PUMP HOUSING (FIGURE 2-39) KUBOTA DIESEL — 3.6L



BP090639

ITEM	PART NO.	DESCRIPTION	QTY
	4615470	Engine Assy-Diesel (3.6L)	1
1	4042337	Base (Injection Pump)	1
2	4041988	Stud	3
3	4041989	Gasket	1
4	4041944	Bolt	1
5	4041995	Bolt	6
6	4041991	Bolt	3
7	4042338	Cover (Injector Pump)	1
8	4041999	Gasket (Pump Cover)	1
9	4050841	Gear (Injection Pump)	1
10	4042256	Nut	1
11	4041979	Screw	4
12	4042351	Stop	1
13	4050840	Gasket	1
14	4042340	Housing	1
15	4042343	Pin	2
16	4042342	Stud	3
17	4042352	Cover	1
18	4050839	Bolt	4
19	4042350	Woodruff Key	1
20	4050838	Gasket	1
21	4041946	Nut	3
22	4050844	Injection Pump	1
	4051070	Kit-Gasket Lower	1
	4042339	Injection Pump	1

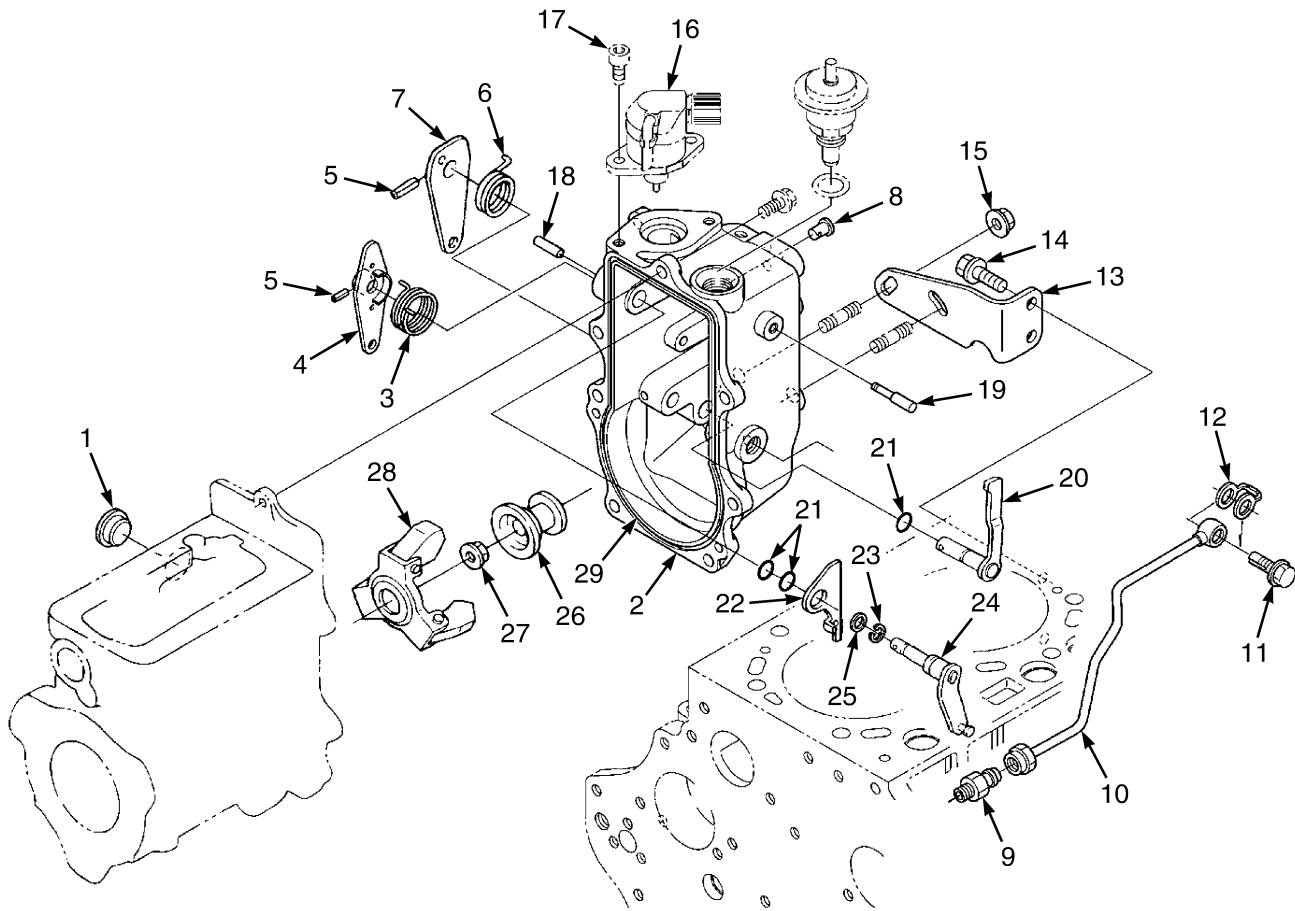
**INJECTION PUMP (FIGURE 2-40)
KUBOTA DIESEL — 3.6L**



BP090537

ITEM	PART NO.	DESCRIPTION	QTY
	4615470	Engine Assy-Diesel (3.6L)	1
1	4050844	Injection Pump	1
2	4042249	Screw	1
3	4050848	Gasket	2
4	4050846	Joint Eye	1
5	4050847	Nozzle	1
6	4041946	Nut	3
7	4042067	Bolt	3
8	4050845	Shim	1
	4042339	Injection Pump (Assembly)	1

GOVERNOR (FIGURE 2-41) KUBOTA DIESEL — 3.6L

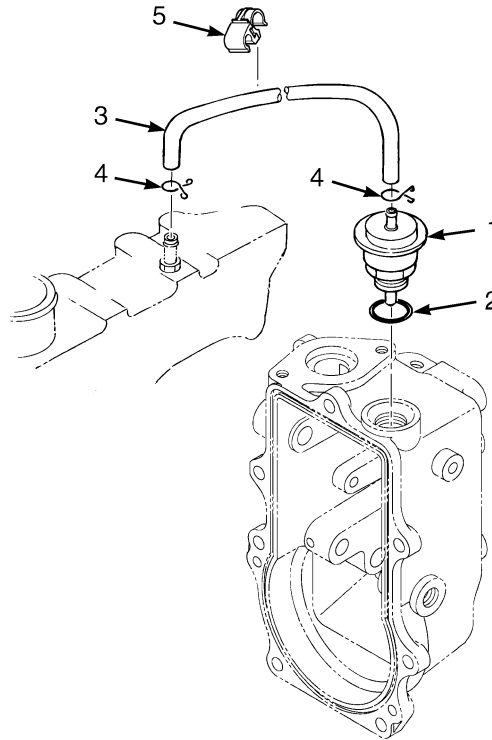


BP090613

**GOVERNOR
KUBOTA DIESEL – 3.6L**

ITEM	PART NO.	DESCRIPTION	QTY
	4615470	Engine Assy-Diesel (3.6L)	1
1	4050852	Cover (Governor Rod)	1
2	4050854	Housing (Governor)	1
3	4050860	Spring	1
4	4050861	Lever	1
5	4050862	Pin	2
6	4050864	Return Spring	1
7	4050865	Lever (Engine Stop)	1
8	4050866	Pin	1
9	4050869	Joint	1
10	4050870	Pipe	1
11	4050871	Bolt (Eye)	1
12	4042076	Gasket	1
13	4050872	Bracket	1
14	4050873	Bolt	2
15	4041946	Nut	5
16	4050922	Solenoid (Stop Solenoid)	1
17	4050923	Bolt	2
18	4050868	Pin	1
19	4050867	Shaft	1
20	4050863	Lever	1
21	4050856	O-Ring	3
22	4050857	Lever	1
23	4050858	Retaining Ring	1
24	4050855	Lever	1
25	4050859	Washer	1
26	Sleeve	1
27	4041964	Nut	1
28	FlyWheel	1
29	4050885	Gasket (Housing)	1
	4051069	Kit-Gasket Upper	1
99	4042339	Injection Pump (Assembly)	1

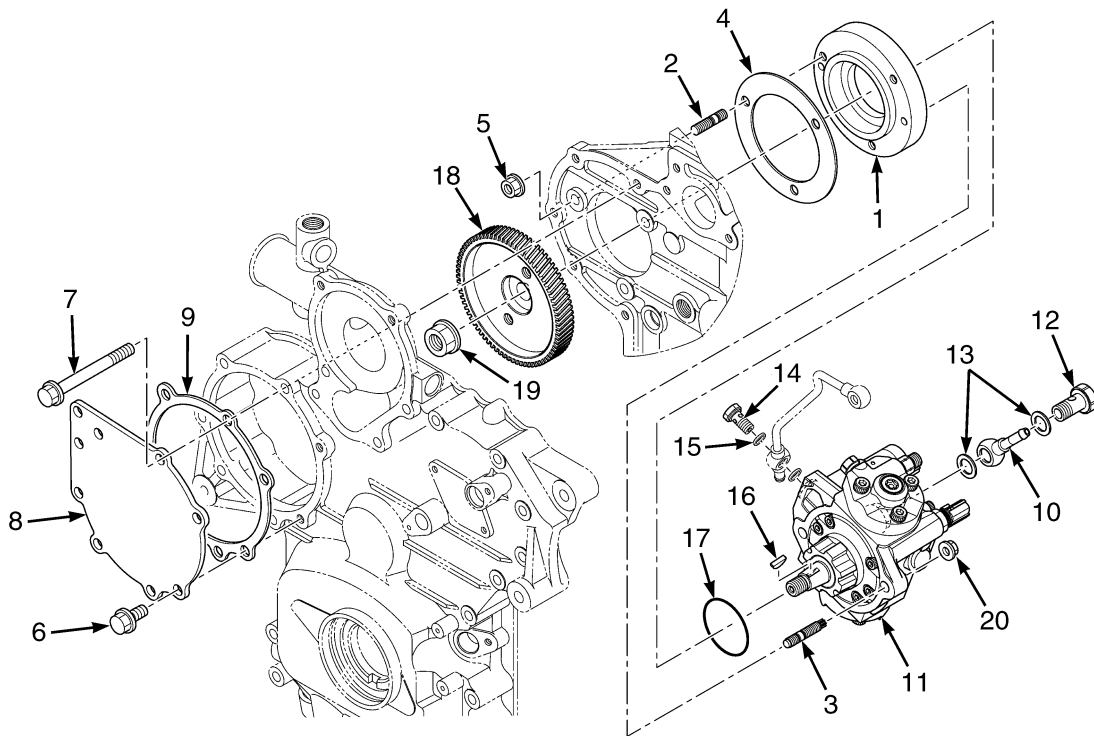
GOVERNOR ACTUATOR AND PLUG (FIGURE 2-42) KUBOTA DIESEL — 3.6L



BP090542

ITEM	PART NO.	DESCRIPTION	QTY
	4615470	Engine Assy-Diesel (3.6L)	1
1	4050914	Actuator (Boost)	1
2	4050915	O-Ring	1
3	4050919	Pipe	1
4	4050921	Clamp	2
5	4042054	Clamp	1
	4051069	Kit-Gasket Upper	1
	4042339	Injection Pump (Assembly)	1

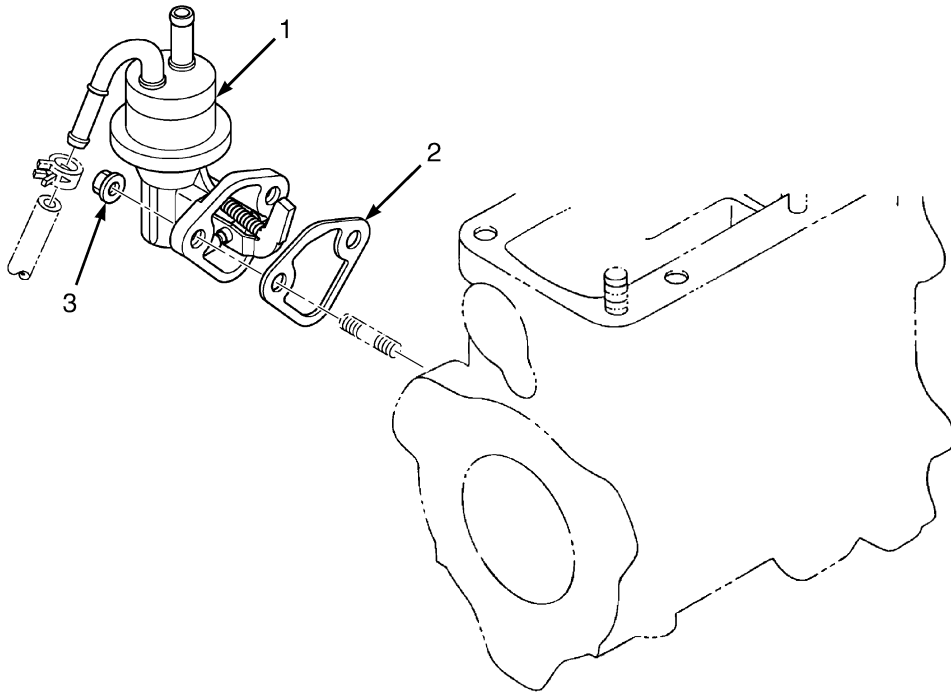
**FUEL INJECTION PUMP (FIGURE 2-43)
KUBOTA DIESEL — 3.8L**



BP090630

ITEM	PART NO.	DESCRIPTION	QTY
	4620483	Engine Assy-Diesel (3.8L)	1
1	4054599	Base (Supply Pump)	1
2	4054600	Stud	3
3	4041988	Stud	2
4	4054601	Gasket	1
5	4041946	Nut	3
6	4041944	Bolt	2
7	4041995	Bolt	5
8	4054602	Cover	1
9	4054603	Gasket	1
10	Pipe	1
11	4054604	Pump	1
11	4094113	Kit-Valve Suction Control (Pump)	1
11	4094114	Kit-Sensor Fuel Temperature (Pump)	1
12	4042249	Screw	1
13	4054605	Gasket	2
14	4042251	Screw	1
15	4054606	Gasket	2
16	4074584	Woodruff Key	1
17	4042254	Gasket	1
18	4054607	Gear (Supply Pump)	1
19	4042256	Nut	1
20	4041946	Nut	2

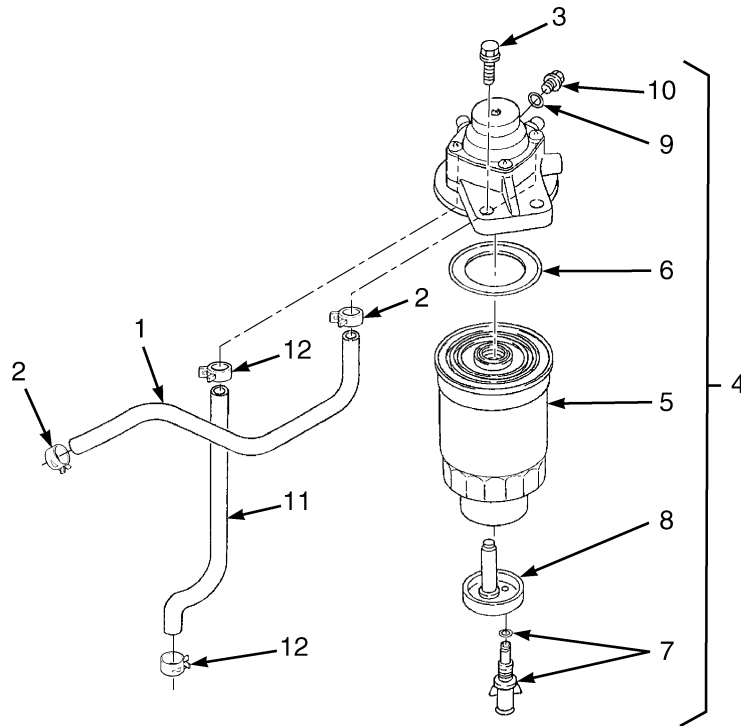
FUEL PUMP (FIGURE 2-44) KUBOTA DIESEL — 3.6L



BP090536

ITEM	PART NO.	DESCRIPTION	QTY
	4615470	Engine Assy-Diesel (3.6L)	1
1	4050849	Fuel Pump	1
2	4050850	Gasket	1
3	4050851	Nut (Flange)	2
	4051070	Kit-Gasket Lower	1
	4042339	Injection Pump (Assembly)	1

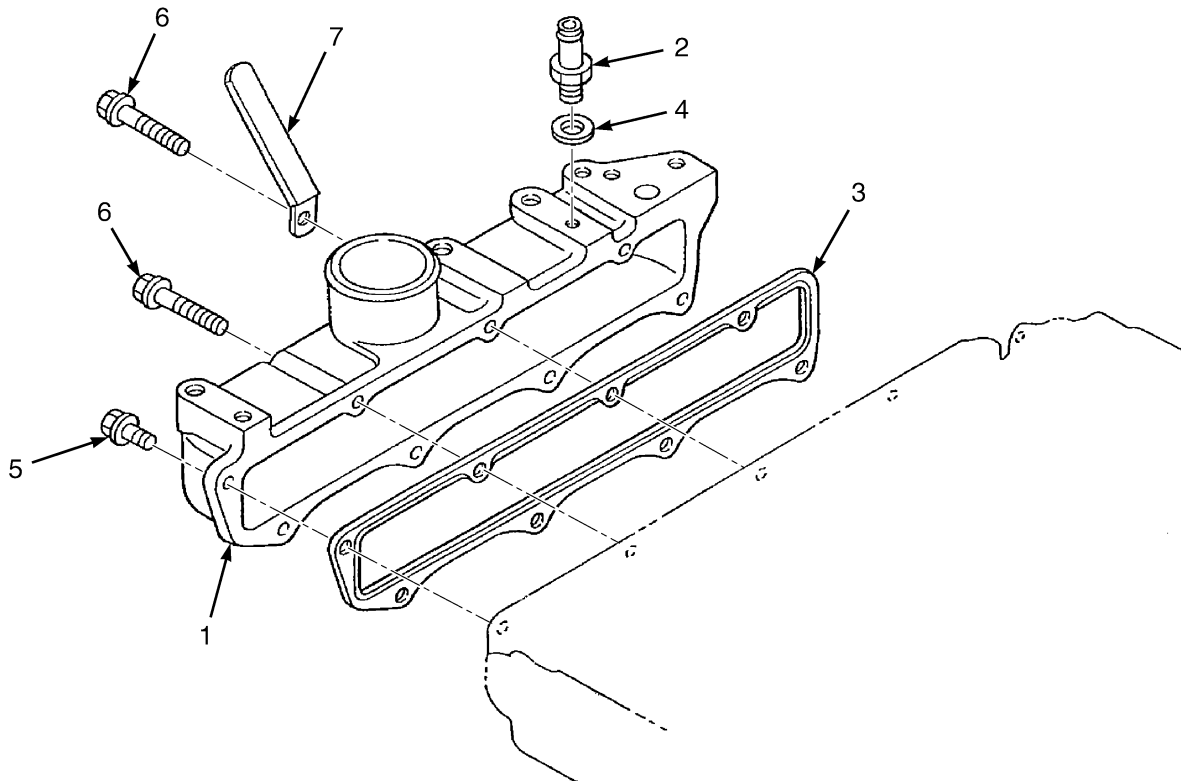
**FUEL FILTER (FIGURE 2-45)
KUBOTA DIESEL — 3.6L**



BP090567

ITEM	PART NO.	DESCRIPTION	QTY
	4615470	Engine Assy-Diesel (3.6L)	1
1	4050927	Tube Assembly	1
1	4050928	Tube	1
2	4050929	Clamp	2
3	4041932	Bolt	2
4	4050930	Fuel Filter	1
5	4050931	Element	1
6	4050932	Gasket	1
7	4050936	Drain Valve	1
8	4050935	Plug	1
9	4050934	O-Ring	1
10	4050933	Plug	1
11	4050937	Tube Assembly	1
11	4050938	Tube	1
12	4050929	Clamp	2

INLET MANIFOLD (FIGURE 2-46) KUBOTA DIESEL — 3.6L



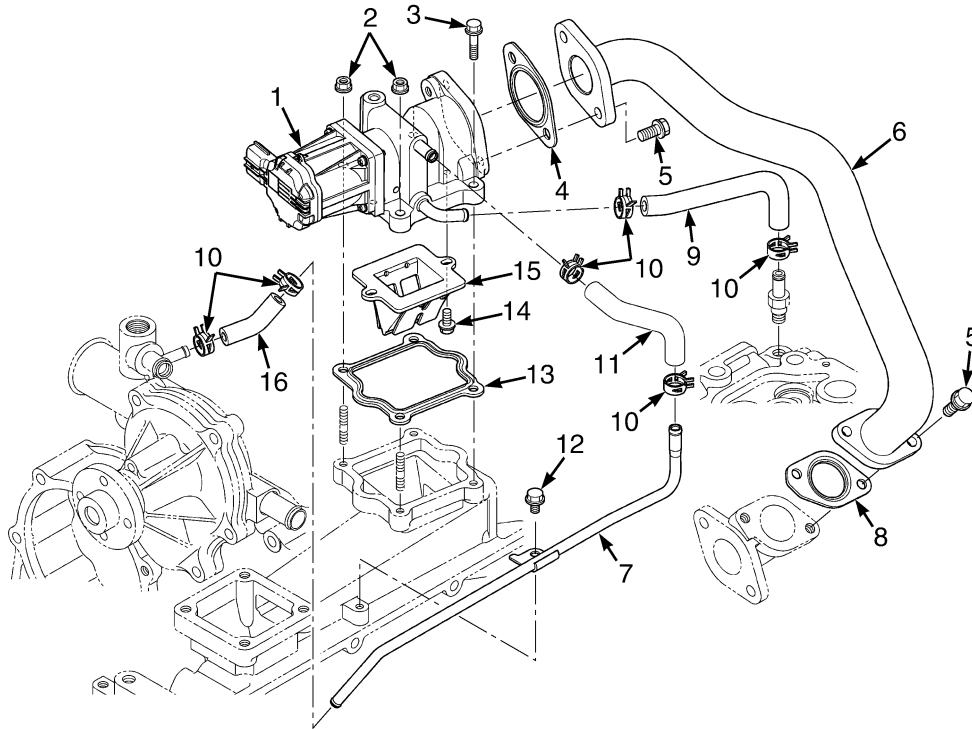
BP090531

ITEM	PART NO.	DESCRIPTION	QTY
	4615470	Engine Assy-Diesel (3.6L)	1
1	4051046	Intake Manifold	1
2	4051047	Screw	1
3	4051048	Gasket	1
4	4050907	Gasket	1
5	4041944	Bolt	5
6	4042043	Bolt	3
7	4042012	Clamp	1
	4051069	Kit-Gasket Upper	1

**INLET MANIFOLD
KUBOTA DIESEL – 3.8L**

ITEM	PART NO.	DESCRIPTION	QTY
	4620483	Engine Assy-Diesel (3.8L)	1
1	4054696	Intake Manifold	1
2	4054697	Cover	1
3	4054698	Gasket	1
4	4042059	Bolt	4
5	4054699	Bolt	2
6	4042041	Gasket	1
7	4041944	Bolt	5
8	4042043	Bolt	4
9	4074793	Flange	1
10	4042046	Pipe (Boost)	1
11	4074794	Bracket	1
12	4042059	Bolt	1
13	4054723	Gasket	3
14	4074795	Bolt	4
15	4074796	Tube	1
16	4042053	Hose Clamp	2
17	4054727	Throttle Body	1
18	4054728	Heater	1

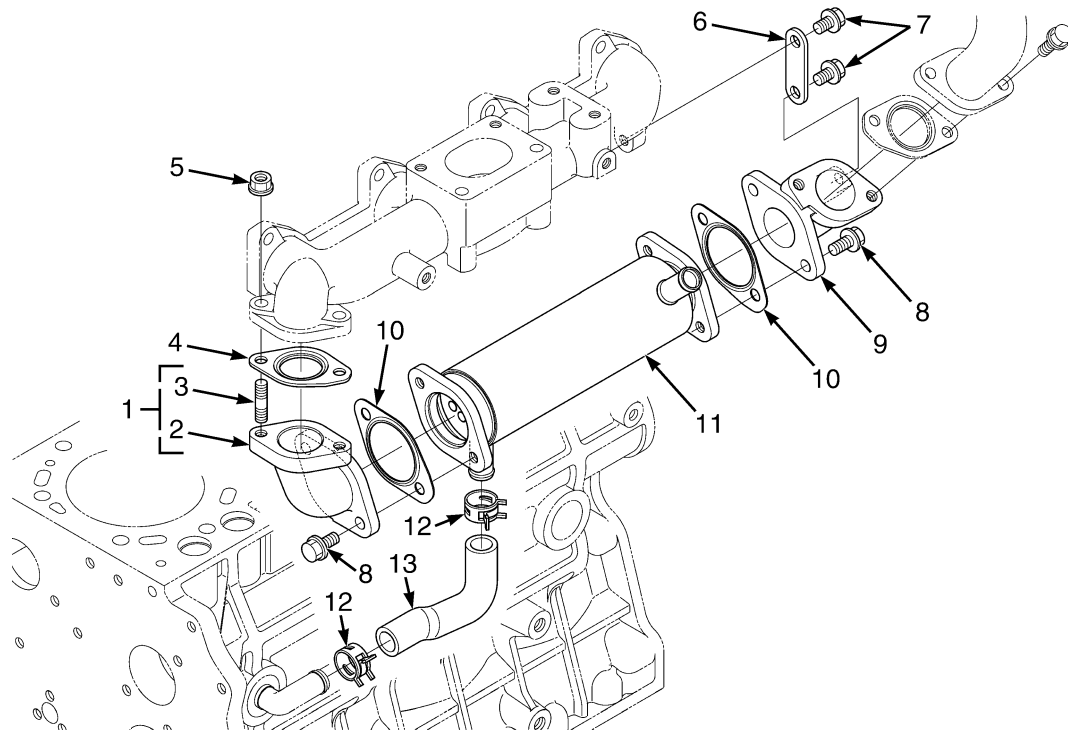
EGR VALVE (FIGURE 2-48) KUBOTA DIESEL — 3.8L



BP090576

ITEM	PART NO.	DESCRIPTION	QTY
	4620483	Engine Assy-Diesel (3.8L)	1
1	4054744	Valve (EGR)	1
2	4050851	Nut (Flange)	2
3	4054747	Bolt	2
4	4042150	Gasket	1
5	4041944	Bolt	4
6	4054748	Pipe (EGR)	1
7	4054751	Pipe	1
8	4042082	Gasket (EGR Pipe)	1
9	4054745	Tube	1
10	4042032	Hose Clamp	6
11	4054750	Tube	1
12	4054753	Bolt (Flange)	1
13	4054746	Gasket (EGR Valve)	1
14	4042059	Bolt	2
15	4042058	Valve	1
16	4054752	Tube	1

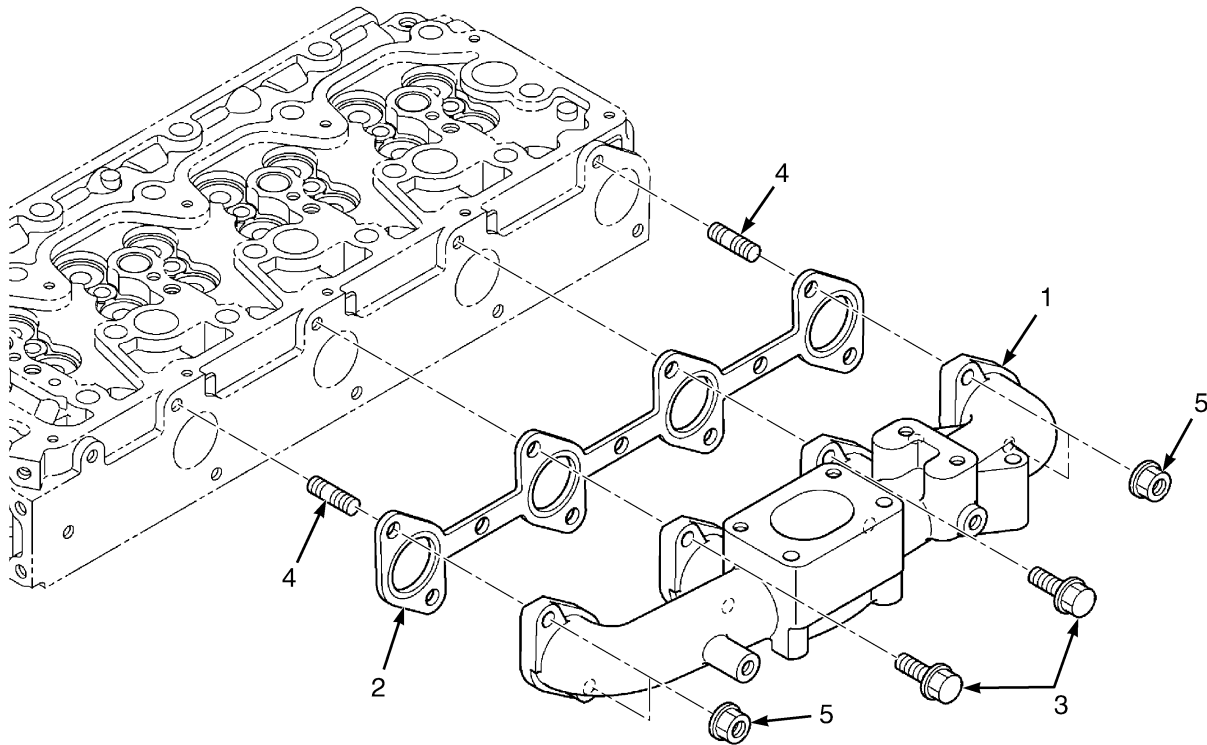
EGR COOLER (FIGURE 2-49)
KUBOTA DIESEL — 3.8L



BP090605

ITEM	PART NO.	DESCRIPTION	QTY
	4620483	Engine Assy-Diesel (3.8L)	1
1	4054755	Flange (Assembly)	1
2	4054756	Flange	1
3	4054757	Stud	1
4	4042082		
	4054749	Gasket (EGR Pipe)	1
5	4051050	Nut	2
6	4054761	Bracket (EGR Cooler)	1
7	4054740	Bolt	2
8	4054759	Bolt	4
9	4054760	Flange	1
10	4042150	Gasket	2
11	4054758	Cooler (EGR)	1
12	4042015	Hose Clamp	2
13	4054762	Tube	1

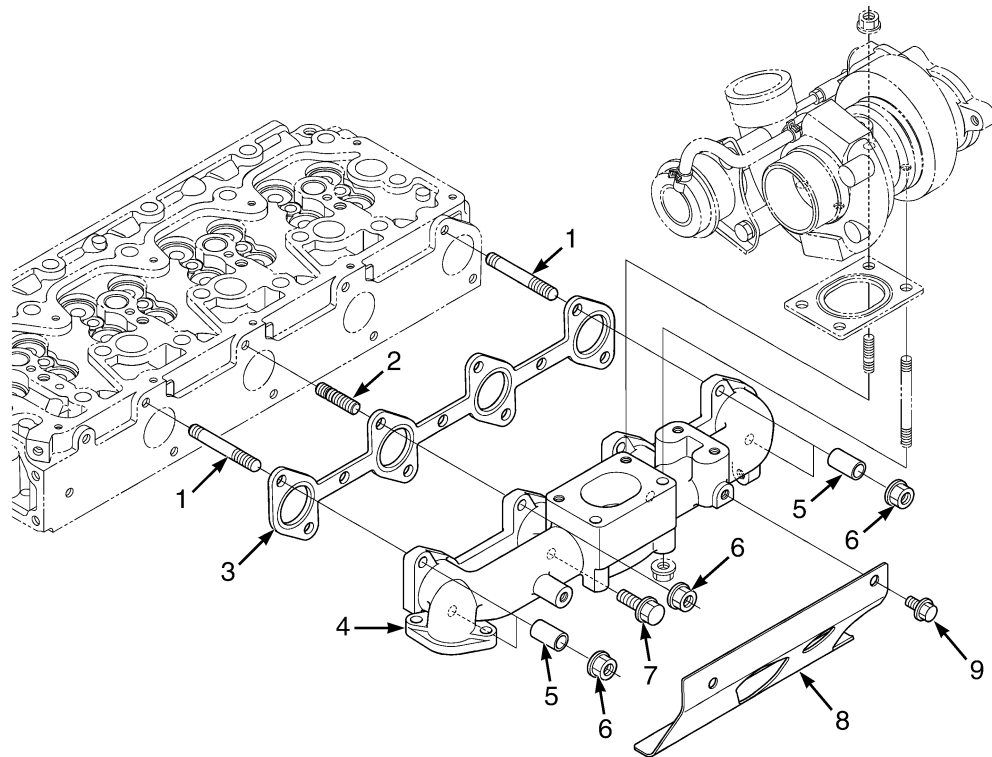
EXHAUST MANIFOLD (FIGURE 2-50) KUBOTA DIESEL — 3.6L



BP090532

ITEM	PART NO.	DESCRIPTION	QTY
	4615470	Engine Assy-Diesel (3.6L)	1
1	4051049	Exhaust Manifold	1
2	4042087	Gasket	1
3	4042088	Bolt	2
4	4042010	Stud	6
5	4051050	Nut	6
	4051069	Kit-Gasket Upper	1

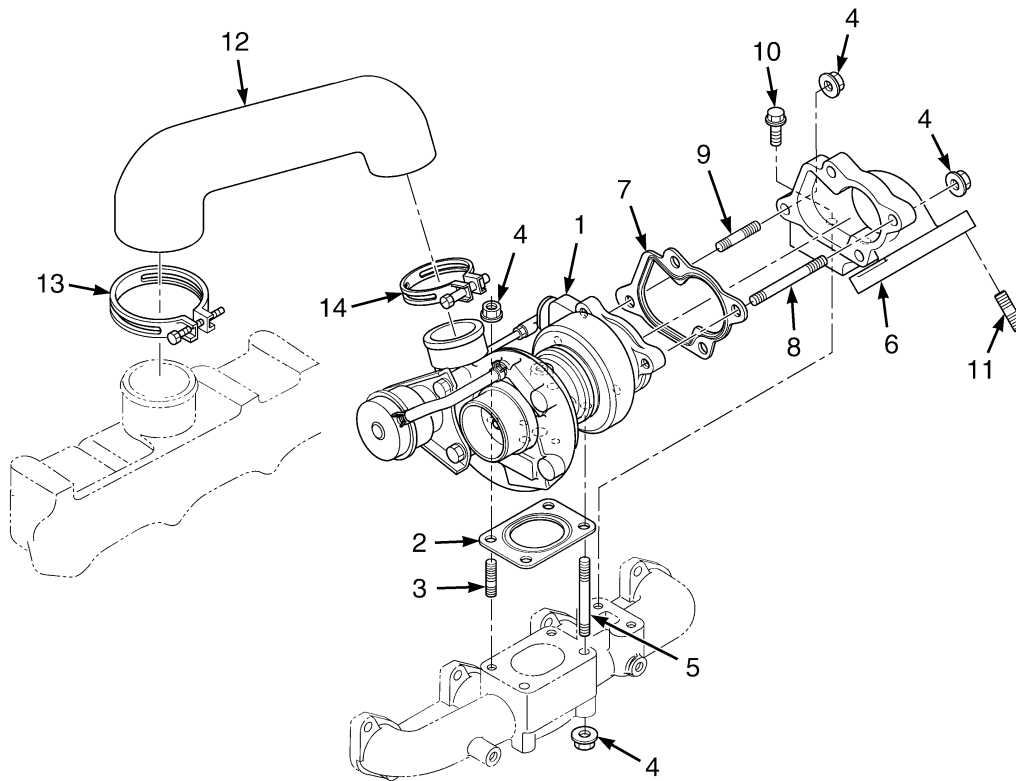
**EXHAUST MANIFOLD (FIGURE 2-51)
KUBOTA DIESEL — 3.8L**



BP090601

ITEM	PART NO.	DESCRIPTION	QTY
	4620483	Engine Assy-Diesel (3.8L)	1
1	4054741	Stud	4
2	4042010	Stud	2
3	4042087	Gasket	1
4	4054738	Exhaust Manifold	1
5	4054742	Collar	4
6	4051050	Nut	6
7	4042088	Bolt	2
8	4054739	Cover	1
9	4054740	Bolt	2

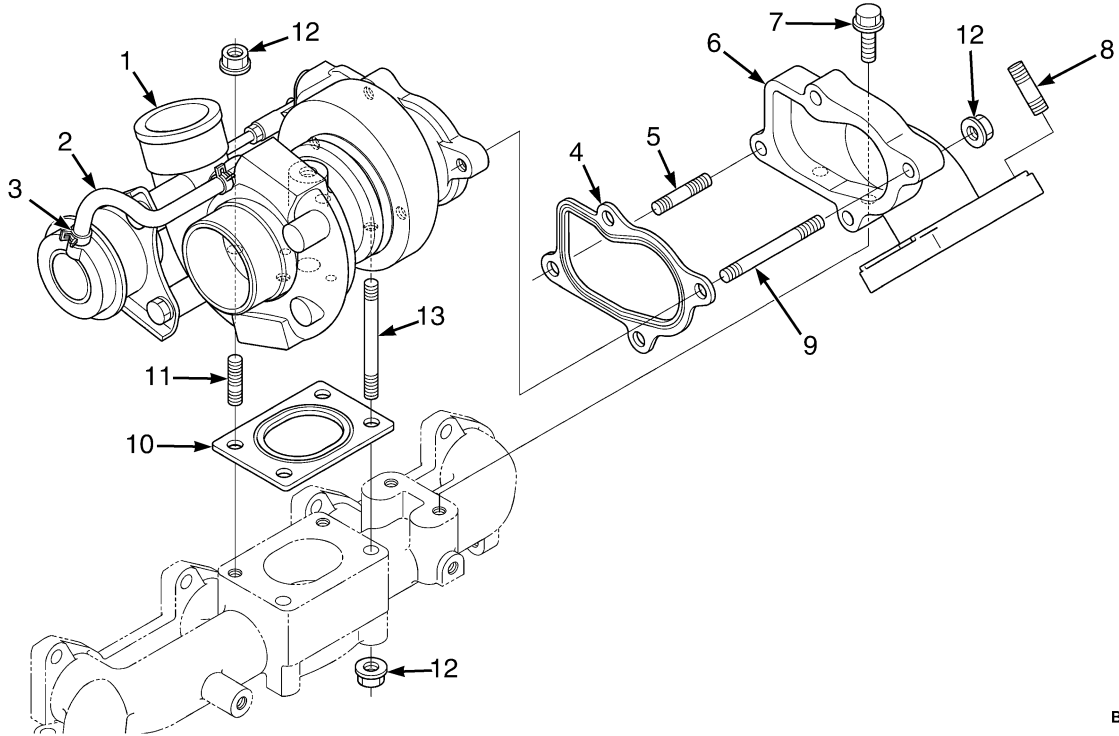
TURBOCHARGER (FIGURE 2-52) KUBOTA DIESEL — 3.6L



BP090534

ITEM	PART NO.	DESCRIPTION	QTY
	4615470	Engine Assy-Diesel (3.6L)	1
1	4051051	Turbocharger Assembly	1
2	4042064	Gasket	1
3	4051052	Stud	2
4	4051053	Nut	8
5	4051054	Stud	2
6	4051055	Flange	1
7	4051061	Gasket	1
8	4051062	Stud	2
9	4051063	Stud	2
10	4051064	Bolt	2
11	4042072	Bolt (Stud)	4
12	4051065	Hose	1
13	4042024	Clamp	1
	4100326	Clamp	1
14	4051066	Band	1
	4051069	Kit-Gasket Upper	1

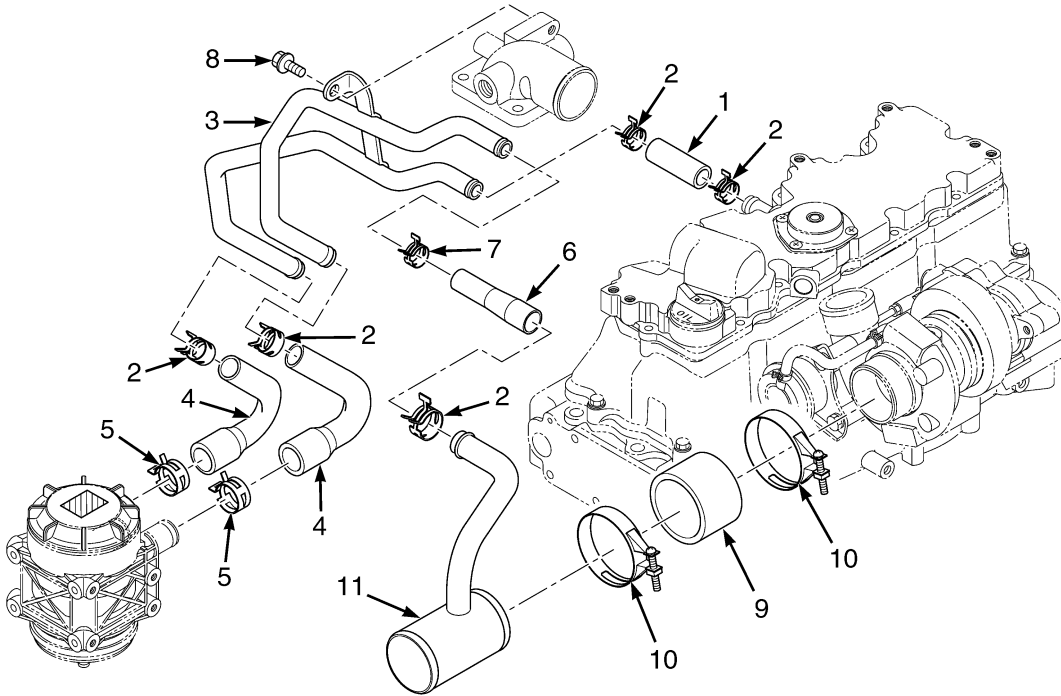
TURBOCHARGER (FIGURE 2-53)
KUBOTA DIESEL — 3.8L



BP090623

ITEM	PART NO.	DESCRIPTION	QTY
	4620483	Engine Assy-Diesel (3.8L)	1
1	4042063	Turbocharger	1
2	4074802	Hose Assy	1
3	4074803	Clamp	2
4	4042069	Gasket	1
5	4051063	Stud	3
6	4042068	Flange (Muffler)	1
7	4074804	Bolt	2
8	4054763	Bolt	4
9	4051062	Stud	1
10	4042064	Gasket	1
11	4051052	Stud	2
12	4051050	Nut	8
13	4051054	Stud	2

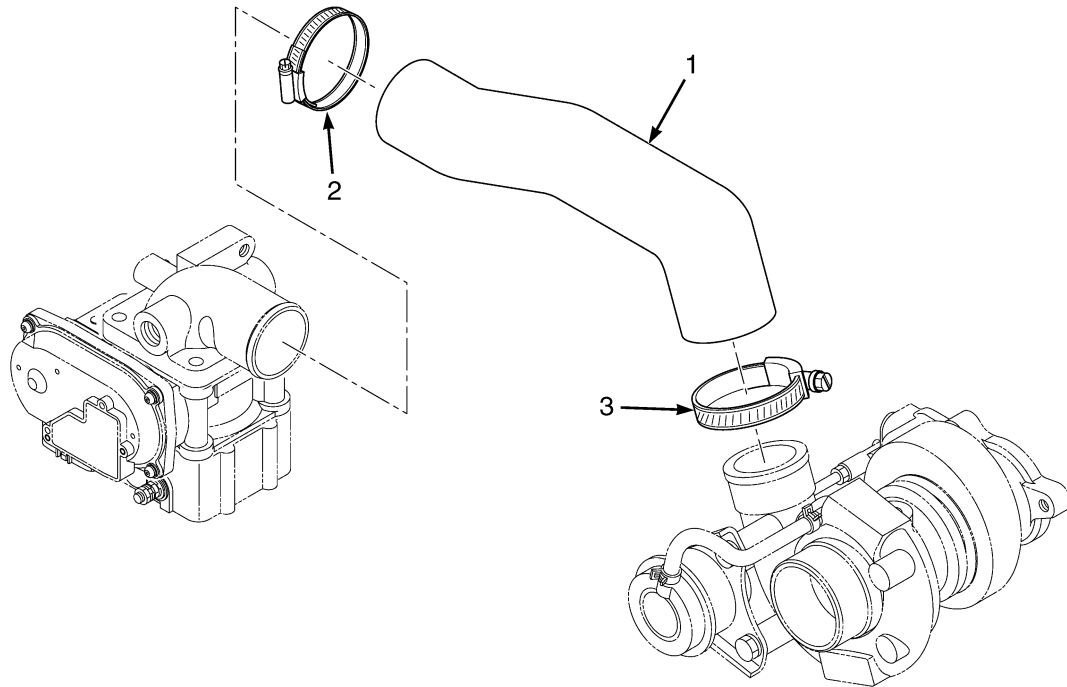
BREATHER AND SEPARATOR PIPES (FIGURE 2-54) KUBOTA DIESEL — 3.8L



BP090626

ITEM	PART NO.	DESCRIPTION	QTY
	4620483	Engine Assy-Diesel (3.8L)	1
1	4042014	Tube (Separator)	1
2	4042015	Hose Clamp	5
3	4074805	Pipe	1
4	4042017	Tube (Separator)	2
5	4042018	Hose Clamp	2
6	4074806	Tube	1
7	4042020	Hose Clamp	1
8	4041992	Bolt	1
9	4042023	Tube (Intake Turbo)	1
10	4042024	Clamp	2
11	4074807	Pipe	1

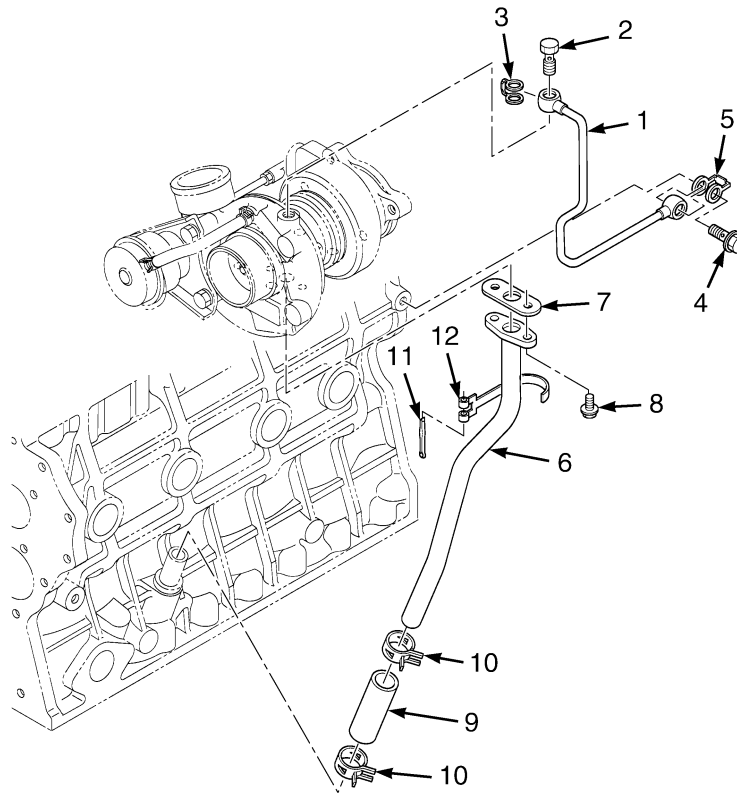
**TURBO INLET PIPE (FIGURE 2-55)
KUBOTA DIESEL — 3.8L**



BP090625

ITEM	PART NO.	DESCRIPTION	QTY
	4620483	Engine Assy-Diesel (3.8L)	1
1	4074799	Hose	1
2	4042085	Band	1
3	4042086	Hose Clamp	1

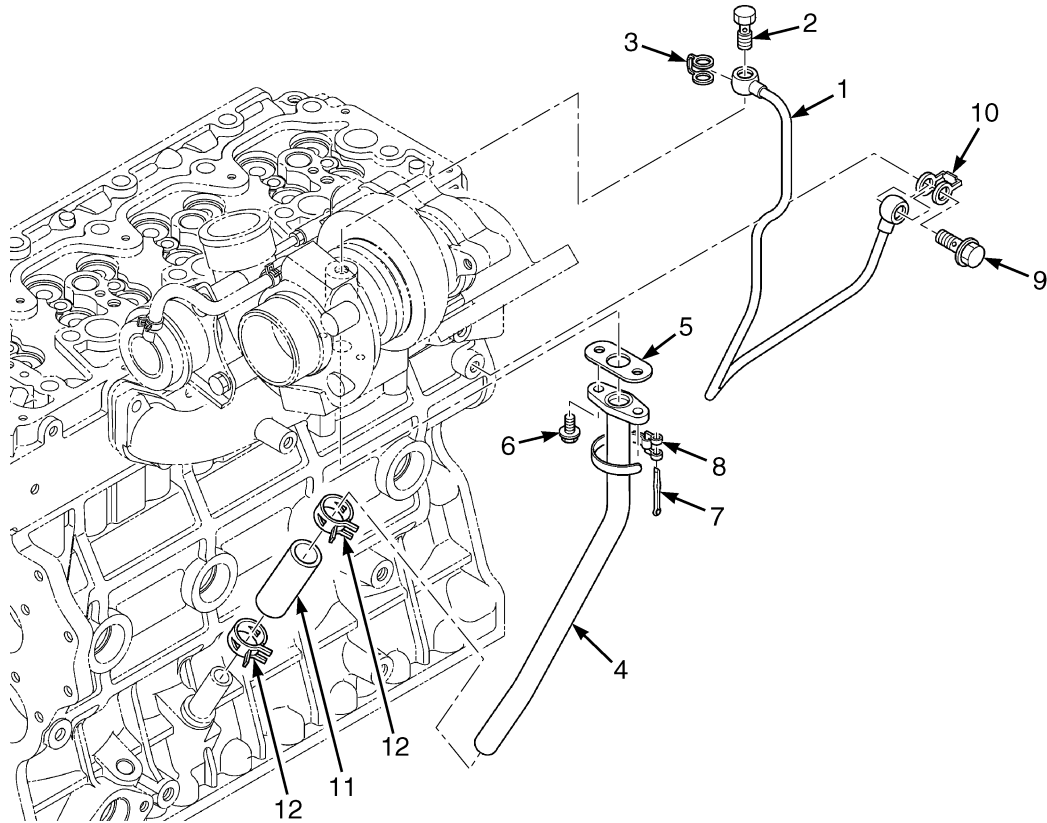
TURBOCHARGER OIL PLUMBING (FIGURE 2-56) KUBOTA DIESEL — 3.6L



BP090535

ITEM	PART NO.	DESCRIPTION	QTY
	4615470	Engine Assy-Diesel (3.6L)	1
1	4051067	Pipe	1
2	4042075	Bolt	1
3	4042076	Gasket	1
4	4042226	Bolt	1
5	4120028	Gasket	1
6	4042227	Pipe	1
7	4051068	Gasket	1
8	4042078	Bolt	2
9	4042059	Pipe (Oil)	1
10	4042228	Hose Clamp	2
11	4042020	Pin	1
12	4042080	Clamp	1
	4042081	Kit-Gasket Upper	1

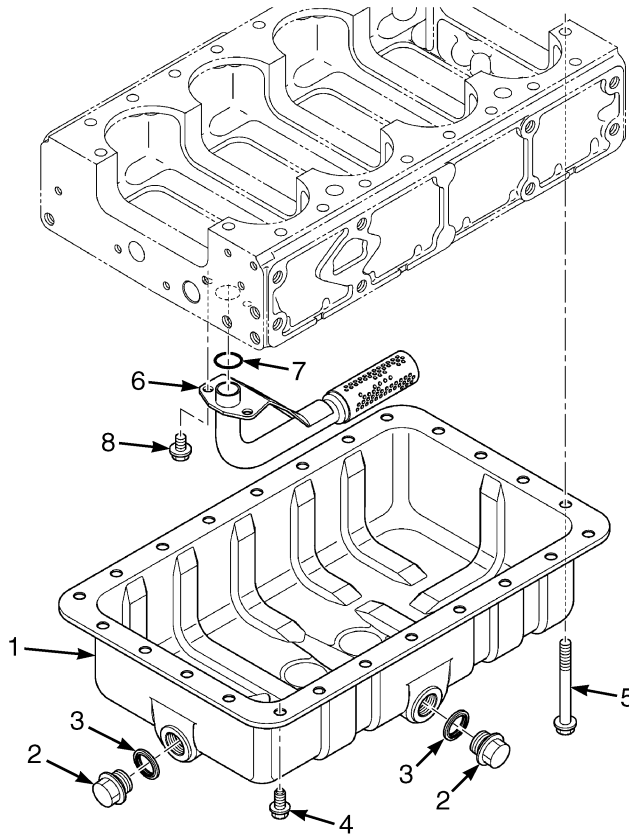
TURBOCHARGER OIL PLUMBING (FIGURE 2-57)
KUBOTA DIESEL — 3.8L



BP090499

ITEM	PART NO.	DESCRIPTION	QTY
	4620483	Engine Assy-Diesel (3.8L)	1
1	4042074	Pipe (Oil)	1
2	4042075	Bolt	1
3	4042076	Gasket	1
4	4042077	Pipe (Oil)	1
5	4042078	Gasket	1
6	4042059	Bolt	2
7	4042080	Pin	1
8	4042081	Clamp	1
9	4042226	Bolt	1
10	4120028	Gasket	1
	4042227	Bolt	1
	4042228	Gasket	1
11	4042228	Pipe (Oil)	1
12	4042020	Hose Clamp	2

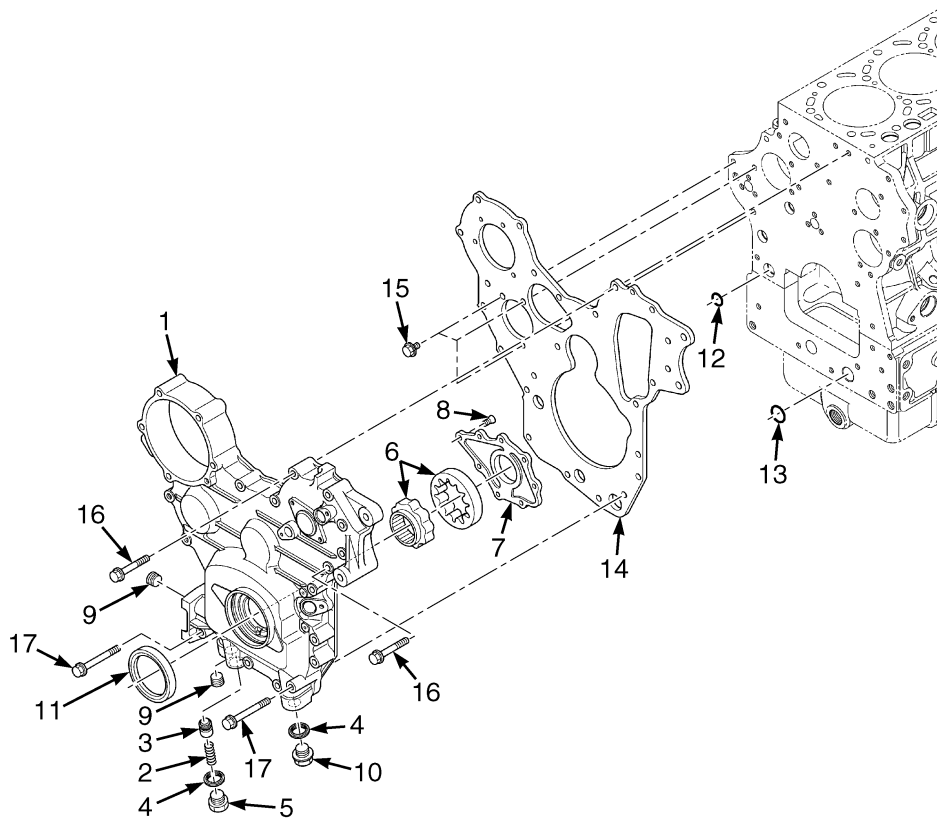
OIL PAN (FIGURE 2-58) KUBOTA DIESEL — 3.6L, 3.8L



BP090479

ITEM	PART NO.	DESCRIPTION	QTY
	4620483	Engine Assy-Diesel (3.8L)	1
	4615470	Engine Assy-Diesel (3.6L)	1
1	4041936	Oil Pan	1
2	4041938	Drain Plug	2
3	4041939	Packing (O-Ring)	2
4	4041940	Bolt	20
5	4041941	Bolt	4
6	4042213	Strainer (For Oil Pan)	1
7	4042214	O-Ring	1
8	4042035	Bolt	2
	4051070	Kit-Gasket Lower (3.6L)	1
	4074906	Kit-Gasket Lower (3.8L)	1

GEAR CASE (FIGURE 2-59)
KUBOTA DIESEL — 3.6L



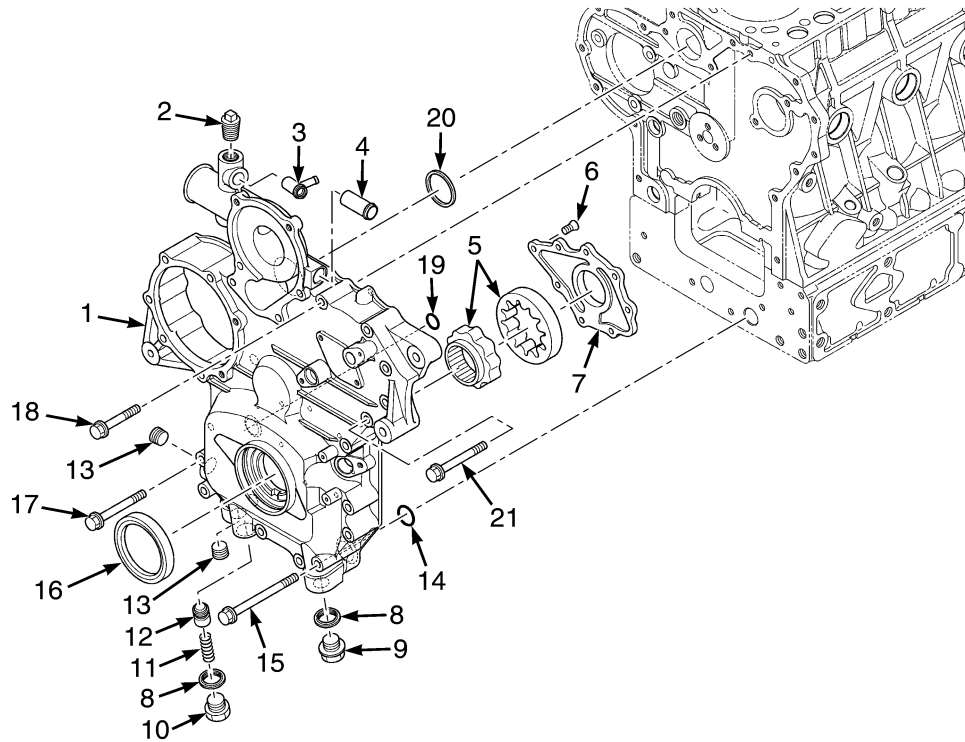
BP090481

ITEM	PART NO.	DESCRIPTION	QTY
	4615470	Engine Assy-Diesel (3.6L)	1
1	4042246	Case (Gear Assembly) (3.6L)	1
2	4041971	Spring	1
3	4041972	Relief Valve	1
4	4041939	Packing (O-Ring)	2
5	4041974	Plug	1
6	4041975	Rotor Assembly (Oil Pump)	1
7	4041978	Cover (Oil Pump)	1
8	4041979	Screw	8
9	4041980	Plug	2
10	4041981	Drain Plug	1
11	4041982	Oil Seal	1
12	4041983	O-Ring	1
13	4041984	O-Ring	1
14	4042247	Plate (Gear Case)	1
15	4041992	Bolt	3
16	4041994	Bolt	15
17	4041996	Bolt	2
a	4041946	Nut	2
	4051070	Kit-Gasket Lower	1

FOOTNOTES:

- a Not Illustrated

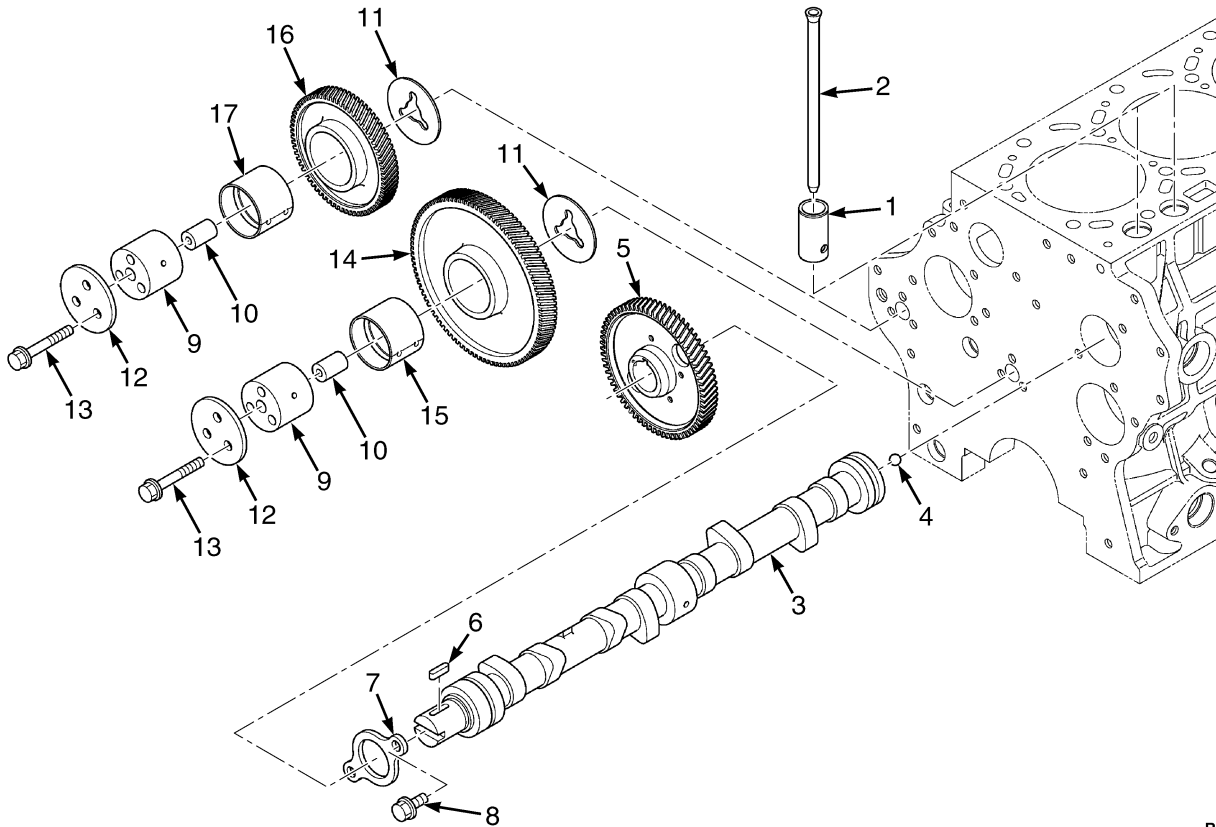
**GEAR CASE (FIGURE 2-60)
KUBOTA DIESEL — 3.8L**



BP090624

ITEM	PART NO.	DESCRIPTION	QTY
	4620483	Engine Assy-Diesel (3.8L)	1
1	4054593	Case (Gear)	1
2	4054594	Plug	1
3	4054595	Pipe	1
4	4042008	Joint (Breather Pipe)	1
5	4041975	Rotor Assembly (Oil Pump)	1
6	4041979	Screw	8
7	4041978	Cover (Oil Pump)	1
8	4041939	Packing (O-Ring)	2
9	4041981	Drain Plug	1
10	4041974	Plug	1
11	4041971	Spring	1
12	4041972	Relief Valve	1
13	4041980	Plug	2
14	4041984	O-Ring	1
15	4041996	Bolt	1
16	4041982	Oil Seal	1
17	4054596	Bolt	2
18	4041992	Bolt	9
19	4041983	O-Ring	1
20	4042322	Gasket	1
21	4074574	Bolt	2

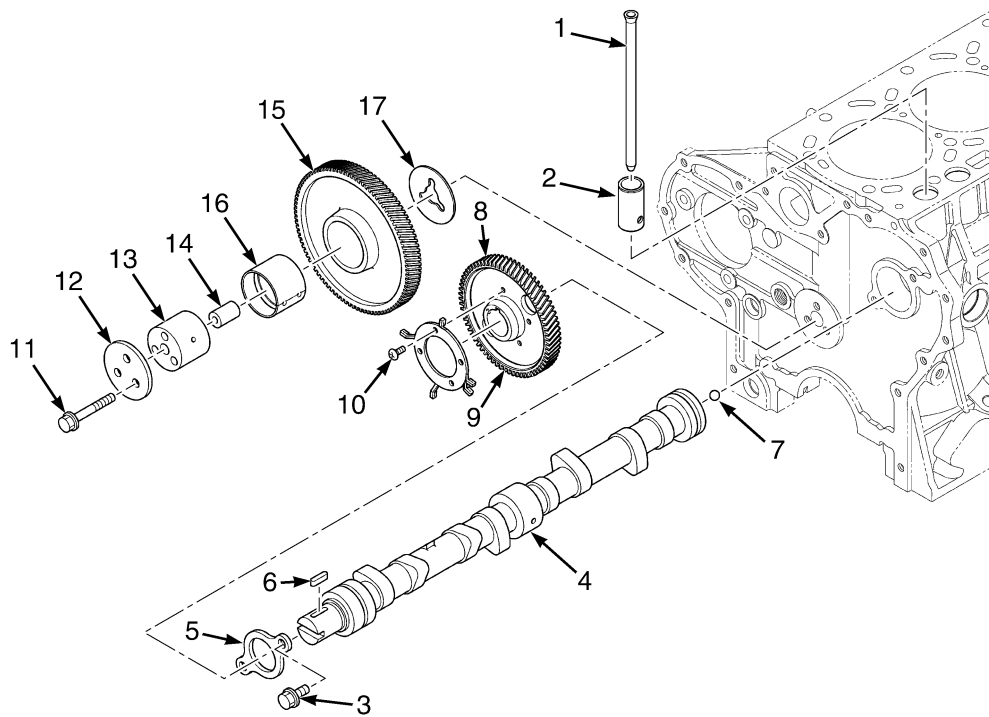
CAMSHAFT AND IDLE GEAR SHAFT (FIGURE 2-61) KUBOTA DIESEL — 3.6L



BP090565

ITEM	PART NO.	DESCRIPTION	QTY
	4615470	Engine Assy-Diesel (3.6L)	1
1	4042134	Tappet	8
2	4042135	Push Rod	8
3	4042307	Camshaft Assembly	1
4	4042138	Ball	1
5	4042310	Gear	1
6	4042140	Key	1
7	4042141	Stop	1
8	4041992	Bolt	2
9	4042194	Shaft (Idle Gear)	2
10	4042195	Pin	2
11	4042196	Collar (Idle Gear)	2
12	4042197	Collar	2
13	4042198	Bolt	6
14	4042314	Idler Gear	1
15	4042225	Bushing	1
16	4042315	Idler Gear	1
17	4042225	Bushing	1

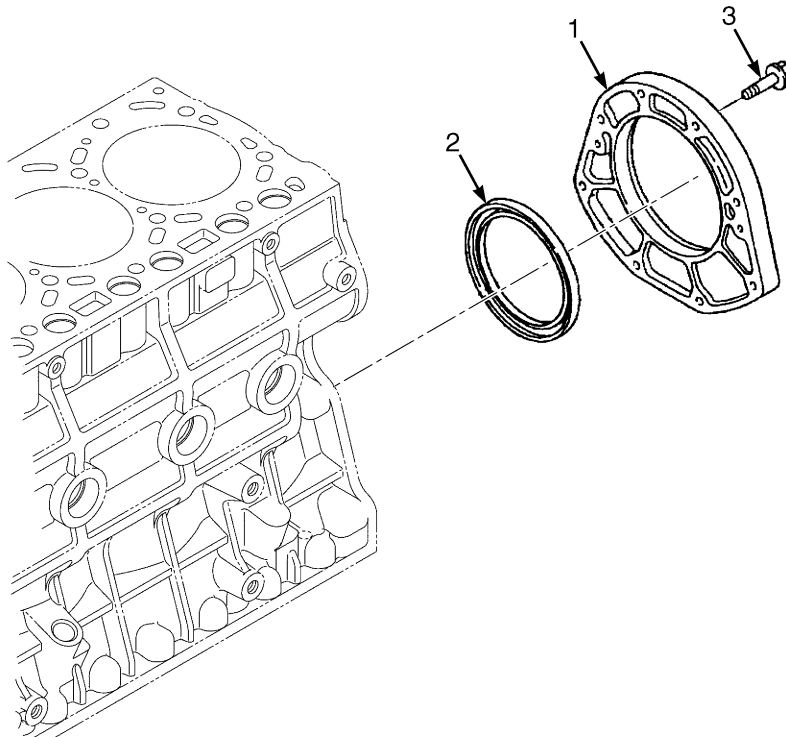
**CAMSHAFT AND IDLE GEAR SHAFT (FIGURE 2-62)
KUBOTA DIESEL — 3.8L**



BP090564

ITEM	PART NO.	DESCRIPTION	QTY
	4620483	Engine Assy-Diesel (3.8L)	1
1	4042135	Push Rod	8
2	4042134	Tappet	8
3	4041992	Bolt	2
4	4042136	Camshaft Assembly	1
5	4042141	Stop	1
6	4042140	Key	1
7	4042138	Ball	1
8	4042139	Gear	1
9	4042145	Gear Pulser	1
10	4042040	Screw	4
11	4042198	Bolt	3
12	4042197	Collar	1
13	4042194	Shaft (Idle Gear)	1
14	4042195	Pin	1
15	4042199	Idler Gear	1
16	4042225	Bushing	1
17	4042196	Collar (Idle Gear)	2

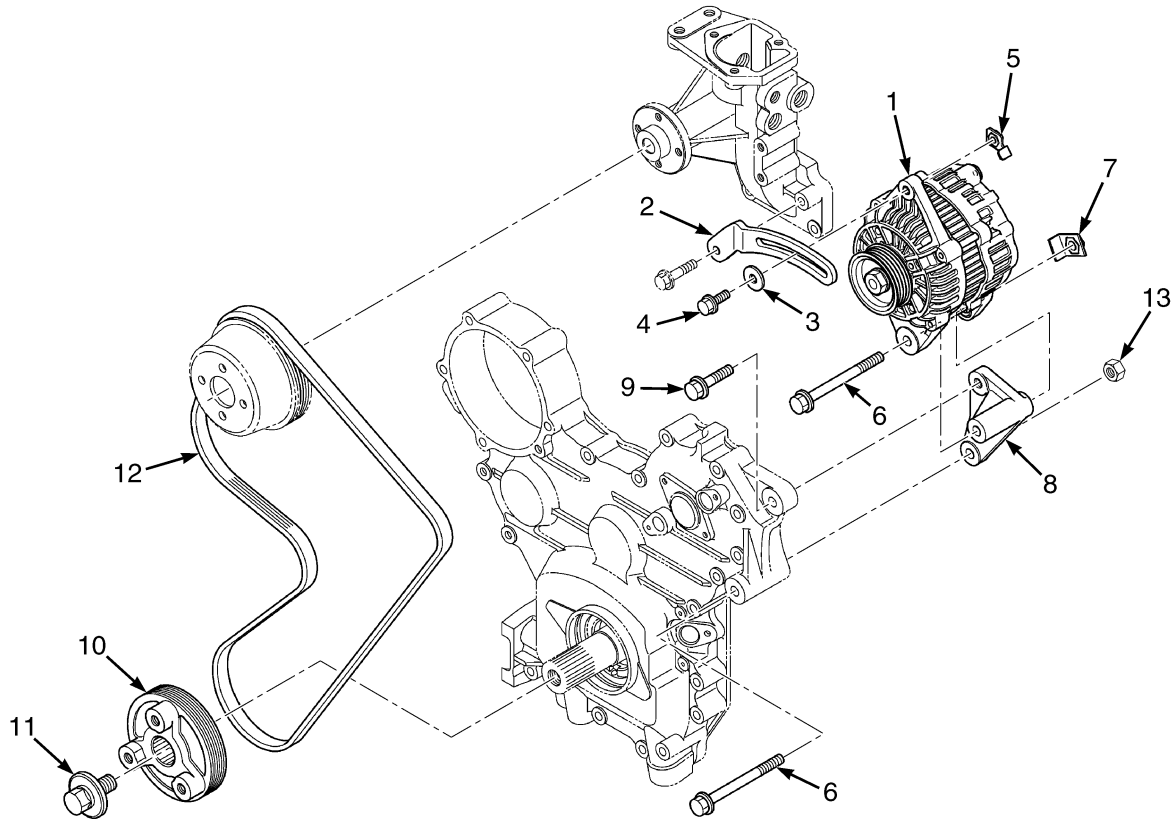
COVER BEARING CASE (FIGURE 2-63) KUBOTA DIESEL — 3.6L, 3.8L



BP090483

ITEM	PART NO.	DESCRIPTION	QTY
	4615470	Engine Assy-Diesel (3.6L)	1
	4620483	Engine Assy-Diesel (3.8L)	1
1	4042009	Cover (Bearing Case)	1
2	4042011	Oil Seal	1
3	4041997	Bolt	8
	4051070	Kit-Gasket Lower (3.6L)	1

**ALTERNATOR AND PULLEY (FIGURE 2-64)
KUBOTA DIESEL**

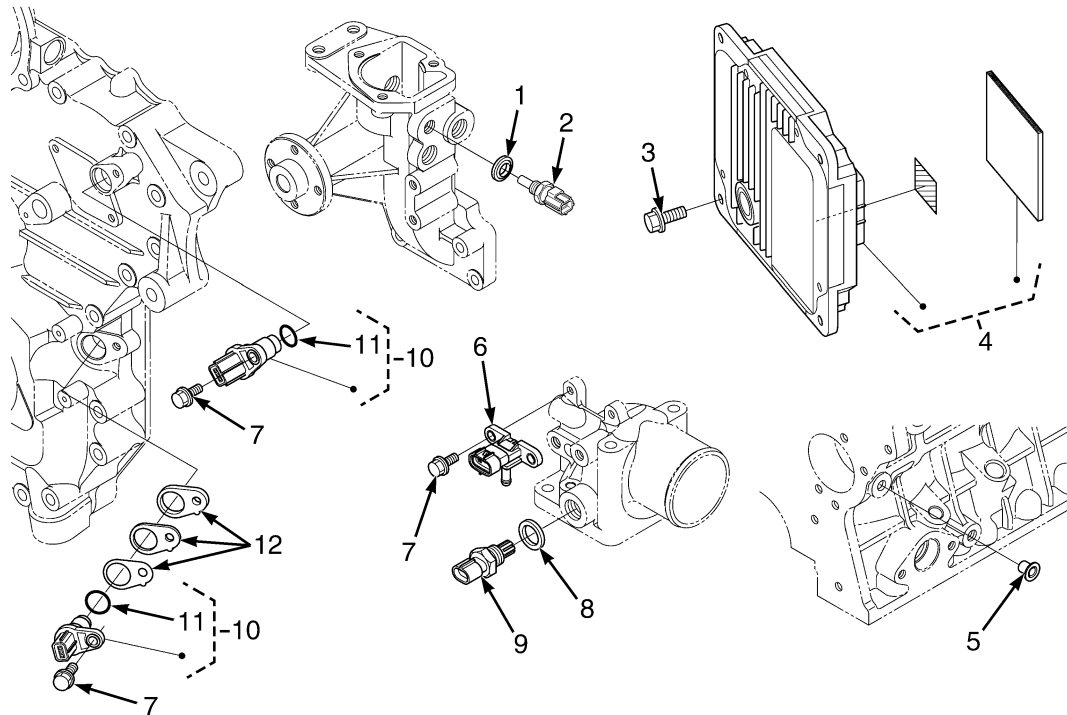


BP090629

ITEM	PART NO.	DESCRIPTION	QTY
	4620483	Engine Assy-Diesel (3.8L)	1
	4615470	Engine Assy-Diesel (3.6L)	1
1	4042286	Alternator	1
2	4042288	Bracket	1
3	4074588	Washer (3.6L)	1
3	4042289	Washer (3.8L)	1
4	4042070	Bolt (3.8L)	1
4	4041997	Bolt (3.6L)	1
5	4042290	Bracket	1
6	4051043	Bolt (3.8L)	2
6	4042295	Bolt (3.6l)	1
7	4042292	Nut (Clip) (3.6L)	2
7	4042292	Nut (Clip) (3.8L)	1
8	4042293	Bracket	1
9	4042294	Bolt	1
10	4042123	Pulley (Fan Drive)	1
11	4042133	Bolt	1
12	4042142	Belt (multi-ribbed flat)	1

ITEM	PART NO.	DESCRIPTION	QTY
13	4042108	Nut (3.8L)	1

**SENSORS (FIGURE 2-65)
KUBOTA DIESEL — 3.8L**



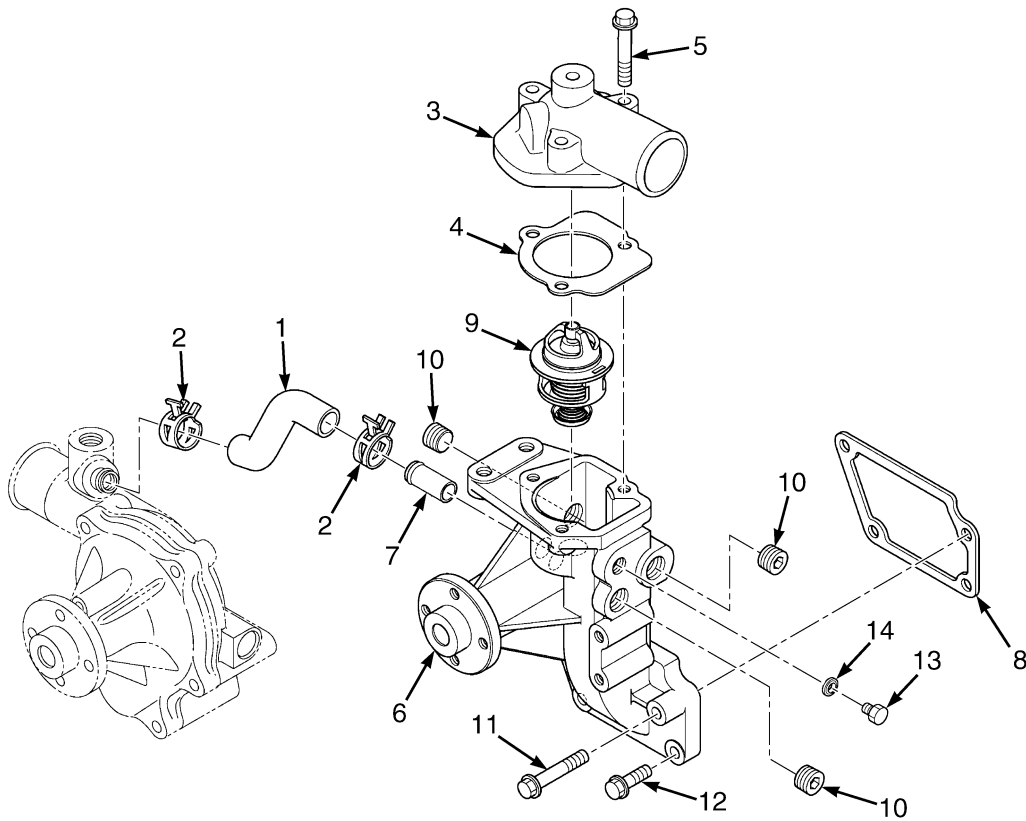
BP090599

ITEM	PART NO.	DESCRIPTION	QTY
	4620483	Engine Assy-Diesel (3.8L)	1
1	4042061	Washer	1
2	4042056	Sensor (Water Temperature)	1
3	4041944	Bolt	2
4	4055271	Kit (E4 ECU)	1
4	4055272	Kit (E4 ECU and Cable)	1
5	4042143	Plug	1
6	4054653	Sensor (Manifold Absolute Pressure (MAP) Sensor/Boost Sensor) (Boost)	1
7	4041991	Bolt	4
8	4042050	Packing (O-Ring)	1
9	4042048	Sensor (Air Temperature)	1
10	a 4042000	Sensor	2
11	4042001	O-Ring	1
12	4042005	Shim (0.25)	1
12	4042006	Shim (.050)	1
12	4042007	Shim (.100)	1

FOOTNOTES:

a Upper is for Camshaft Position, Lower is for Crankshaft Position

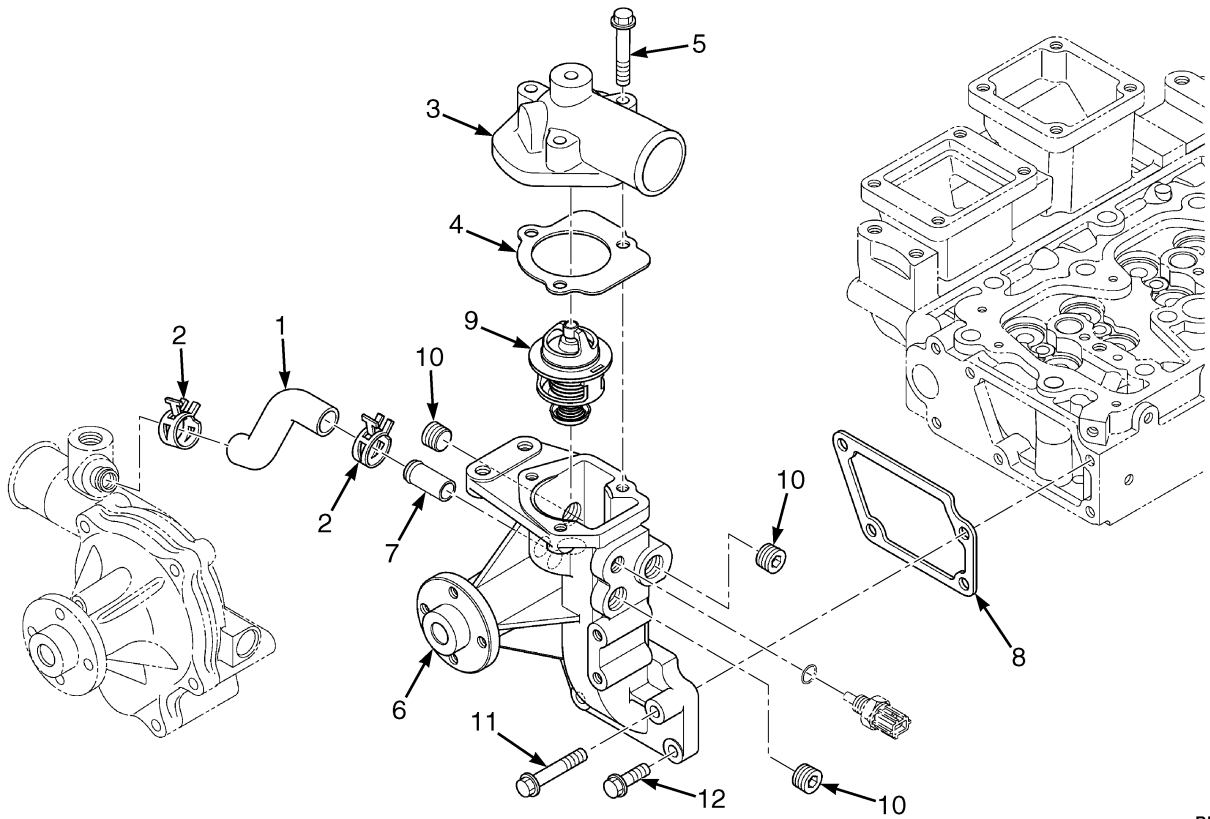
WATER PUMP FLANGE AND THERMOSTAT (FIGURE 2-66) KUBOTA DIESEL — 3.6L



BP090533

ITEM	PART NO.	DESCRIPTION	QTY
	4615470	Engine Assy-Diesel (3.6L)	1
1	4042309	Hose (Water Return)	1
2	4042015	Hose Clamp	2
3	4041973	Cover (Thermostat)	1
4	4041993	Gasket	1
5	4042002	Bolt	3
6	4042003	Flange	1
7	4042008	Joint (Breather Pipe)	1
8	4042030	Gasket (Water Flange)	1
9	4042042	Thermostat	1
10	4042049	Plug	3
11	4042066	Bolt	1
12	4042067	Bolt	3
13	4051044	Drain Plug	1
14	4051045	Gasket	1
	4051069	Kit-Gasket Upper	1

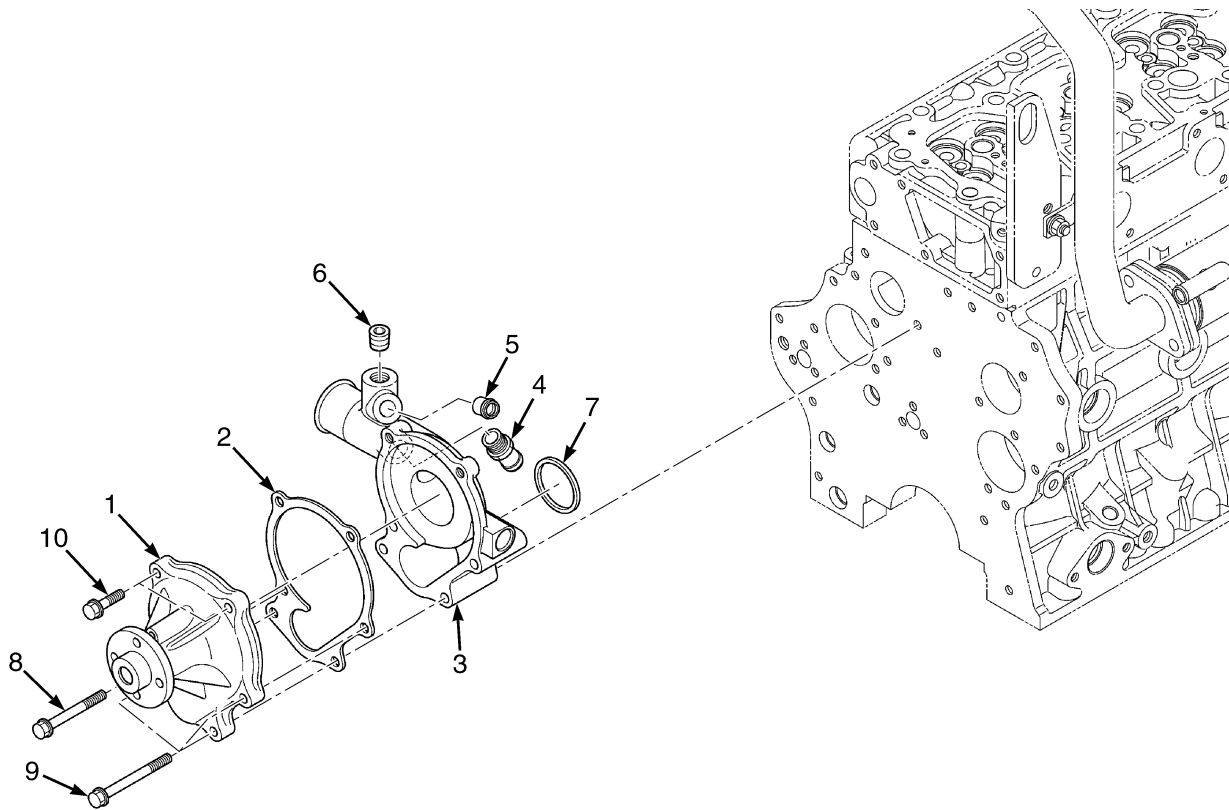
**WATER PUMP FLANGE AND THERMOSTAT (FIGURE 2-67)
KUBOTA DIESEL — 3.8L**



BP090488

ITEM	PART NO.	DESCRIPTION	QTY
	4620483	Engine Assy-Diesel (3.8L)	1
1	4054677	Hose (Water Return)	1
2	4042015	Hose Clamp	2
3	4041973	Cover (Thermostat)	1
4	4041993	Gasket	1
5	4042002	Bolt	3
6	4042003	Flange	1
7	4042008	Joint (Breather Pipe)	1
8	4042030	Gasket (Water Flange)	1
9	4042042	Thermostat	1
10	4042049	Plug	3
11	4042066	Bolt	1
12	4042067	Bolt	3

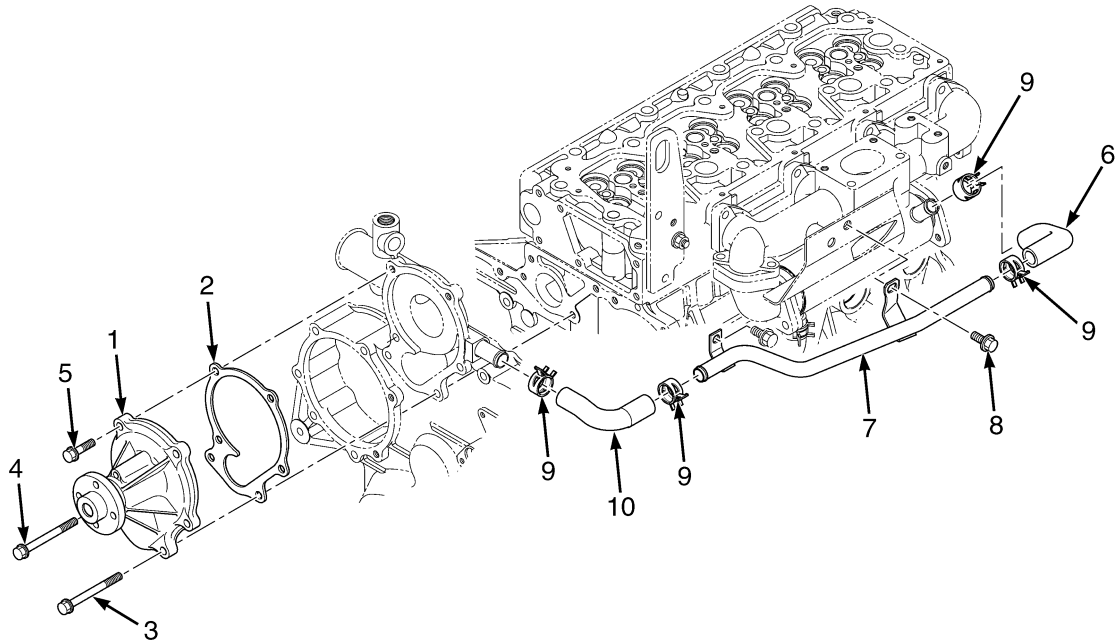
WATER PUMP (FIGURE 2-68) KUBOTA DIESEL — 3.6L



BP090572

ITEM	PART NO.	DESCRIPTION	QTY
	4615470	Engine Assy-Diesel (3.6L)	1
1	4042313	Water Pump	1
2	4042318	Gasket	1
3	4042319	Support	1
4	4041928	Joint (Water)	1
5	4042008	Joint (Breather Pipe)	1
6	4042321	Plug	1
7	4042322	Gasket	1
8	4042323	Bolt	1
9	4042324	Bolt	3
10	4041997	Bolt	2
	4051070	Kit-Gasket Lower (3.6L)	1

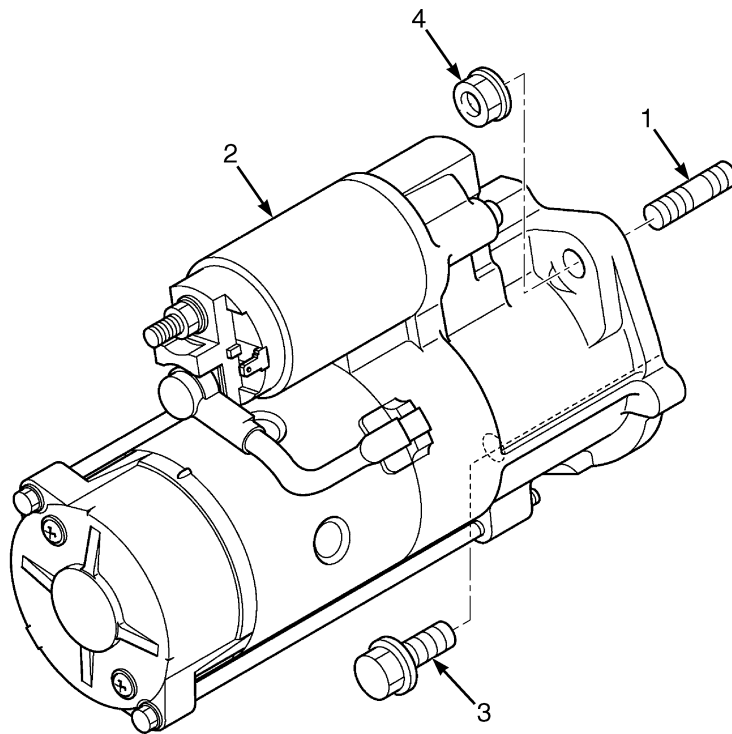
**WATER PUMP (FIGURE 2-69)
KUBOTA DIESEL — 3.8L**



BP090628

ITEM	PART NO.	DESCRIPTION	QTY
	4620483	Engine Assy-Diesel (3.8L)	1
1	4042313	Water Pump	1
2	4042318	Gasket	1
3	4042324	Bolt	3
4	4042323	Bolt	1
5	4041997	Bolt	2
6	4054678	Tube	1
7	4054679	Pipe (Water)	1
8	4042035	Bolt	1
9	4042015	Hose Clamp	4
10	4054680	Hose (EGR)	1

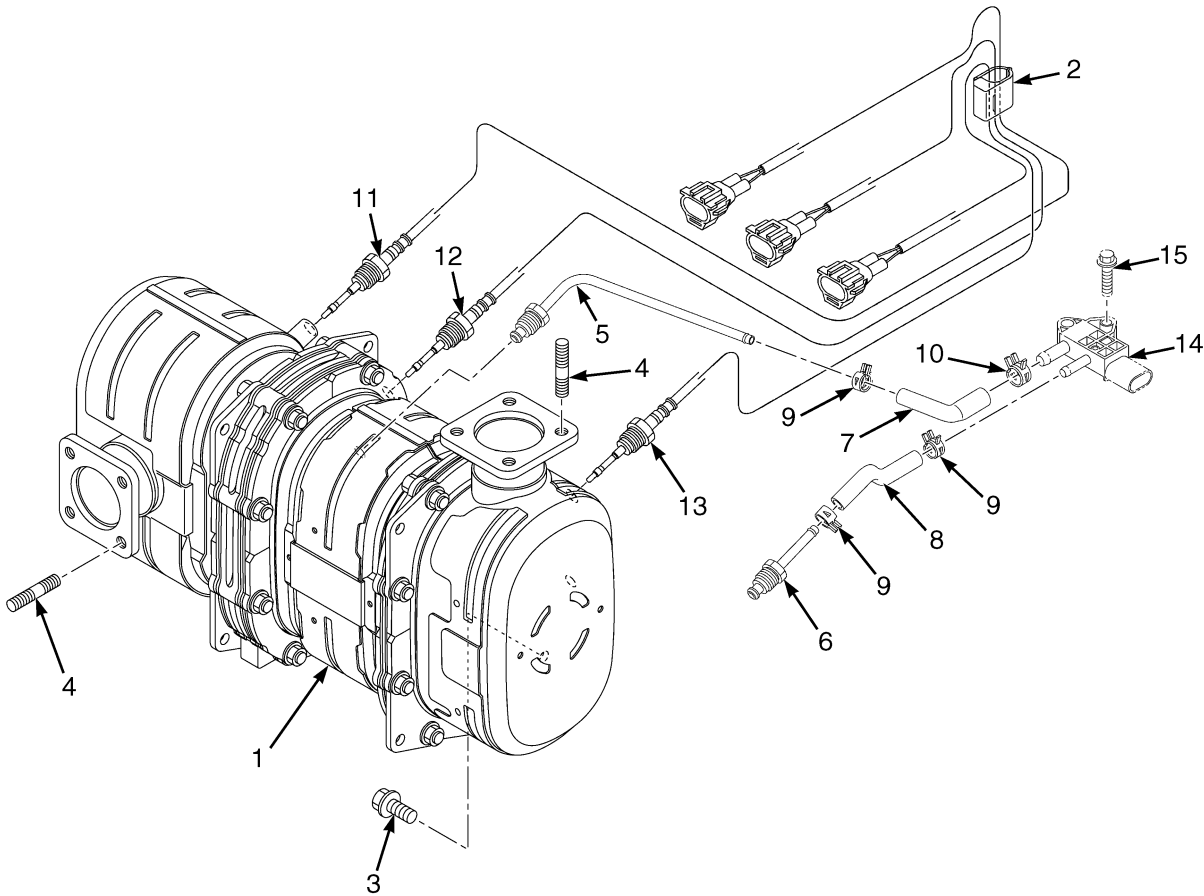
STARTER (FIGURE 2-70) KUBOTA DIESEL — 3.6L, 3.8L



BP090501

ITEM	PART NO.	DESCRIPTION	QTY
	4620483	Engine Assy-Diesel (3.8L)	1
	4615470	Engine Assy-Diesel (3.6L)	1
1	4042285	Bolt (3.6L)	1
1	4054763	Bolt (3.8L)	1
2	4042280	Starter	1
3	4042284	Bolt	1
4	4042108	Nut	1

DIESEL PARTICULATE FILTER (FIGURE 2-71) ATTACHING PARTS — 3.8L KUBOTA DIESEL

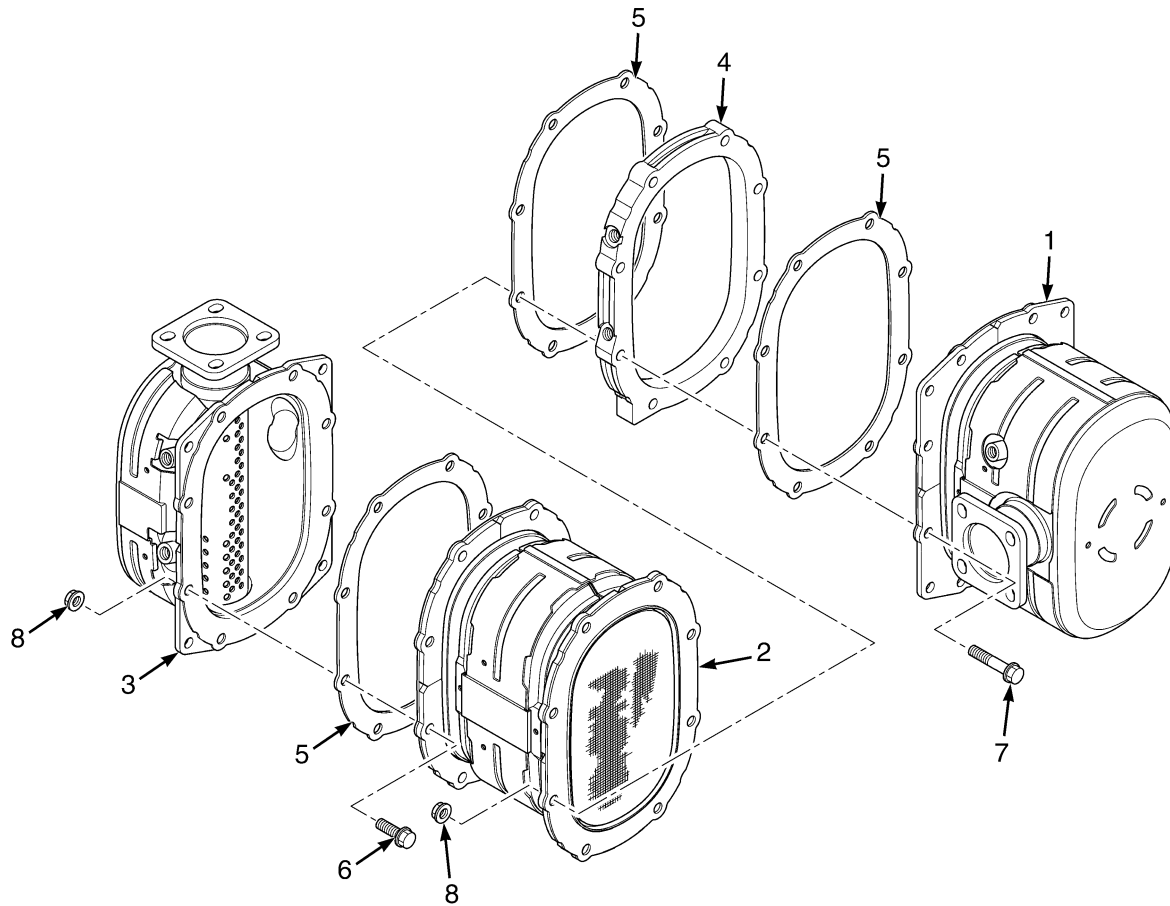


BP090622

**DIESEL PARTICULATE FILTER
ATTACHING PARTS – 3.8L KUBOTA DIESEL**

ITEM	PART NO.	DESCRIPTION	QTY
1	Diesel Particulate Filter Assembly	1
2	4074937	Clamp	1
3	4074934	Bolt	1
4	4054763	Bolt	8
5	4074938	Pipe	1
6	4074939	Pipe	1
7	4074940	Tube	1
8	4074941	Tube	1
9	4054817	Hose Clamp	3
10	4042033	Hose Clamp	1
11	4054809	Sensor (Thermo, 0)	1
12	4054810	Sensor (Thermo, 1)	1
13	4060528	Sensor (Heat DPF)	1
14	4054812	Sensor (Pressure)	1
15	4054747	Bolt	2

DIESEL PARTICULATE FILTER (FIGURE 2-72) MUFFLER ASSEMBLY — KUBOTA 3.8L DIESEL



BP110097

**DIESEL PARTICULATE FILTER
MUFFLER ASSEMBLY – KUBOTA 3.8L DIESEL**

ITEM	PART NO.	DESCRIPTION	QTY
1	4074935	Catalytic Converter Assy	1
2	Filter Element	1
3	4054804 4074936	Body	1
4	4054805	Collar	1
5	4054806	Gasket	3
6	4041932	Bolt	8
7	4054807	Bolt	8
8	4054808	Nut	16
	4074188	Kit-Filter Element	1

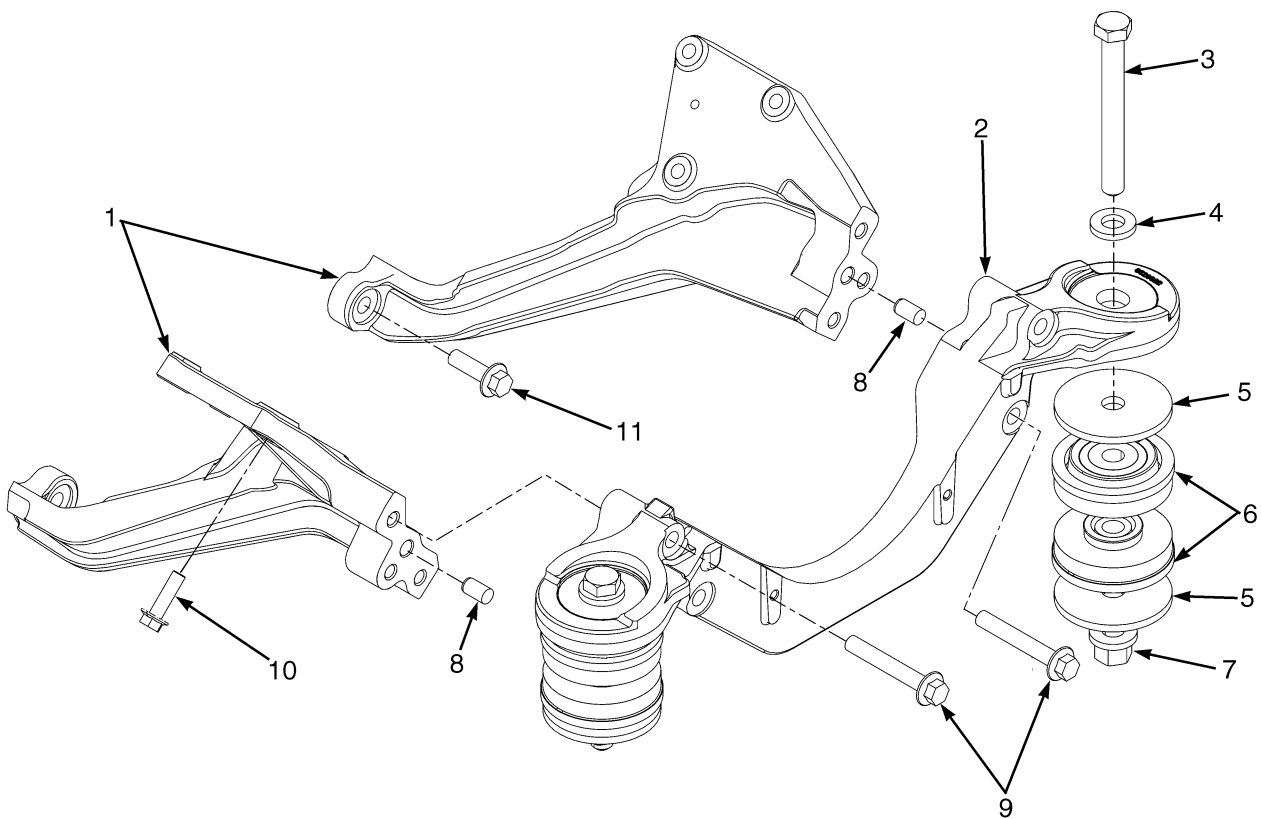
3

ENGINE ASSEMBLY - LPG

SECTION 3 ENGINE ASSEMBLY - LPG

DESCRIPTION	PAGE
CAMSHAFT AND OIL PAN	
GM 4.3L LPG	3-36
COOLING	
GM 4.3L, LPG - SHORT WHEEL BASE WITH EXTERNAL OIL COOLER	3-4
GM 4.3L, LPG - SHORT WHEEL BASE WITHOUT EXTERNAL OIL COOLER	3-6
GM 4.3L, LPG - LONG WHEEL BASE WITH EXTERNAL COOLER	3-8
CRANKSHAFT PULLEY	
GM 4.3L LPG	3-26
CYLINDER BLOCK	
GM 4.3L LPG	3-32
CYLINDER HEAD	
GM 4.3L LPG	3-30
DISTRIBUTOR AND COIL	
GM 4.3L LPG	3-39
ELECTRICAL MOUNTING PLATE	
GM 4.3L LPG	3-27
ENGINE MOUNTING	
GM 4.3L, LPG	3-2
EXHAUST MANIFOLDS	
GM 4.3L LPG	3-28
EXHAUST SYSTEM	
GM 4.3L LPG - WITH CATALYTIC CONVERTER	3-18
GM 4.3L LPG - WITHOUT CATALYTIC CONVERTER	3-20
FAN ASSEMBLY	
GM 4.3L LPG	3-16
FAN MOUNT ASSEMBLY	
GM 4.3L LPG	3-14
FAN SHROUD WITH RADIATOR SCREEN	
GM 4.3L, LPG - SHORT WHEEL BASE	3-12
FAN SHROUD WITHOUT RADIATOR SCREEN	
GM 4.3L, LPG - SHORT WHEEL BASE	3-11
FLYWHEEL AND HOUSING	
GM 4.3L LPG	3-22
OIL PUMP	
GM 4.3L LPG	3-40
PULLEY AND TENSIONER	
GM 4.3L LPG	3-24
THERMOSTAT AND WATER OUTLET HOUSING	
GM 4.3L LPG	3-29
VALVE COVER AND INLET MANIFOLD	
GM 4.3L LPG	3-34

ENGINE MOUNTING (FIGURE 3-1) GM 4.3L, LPG

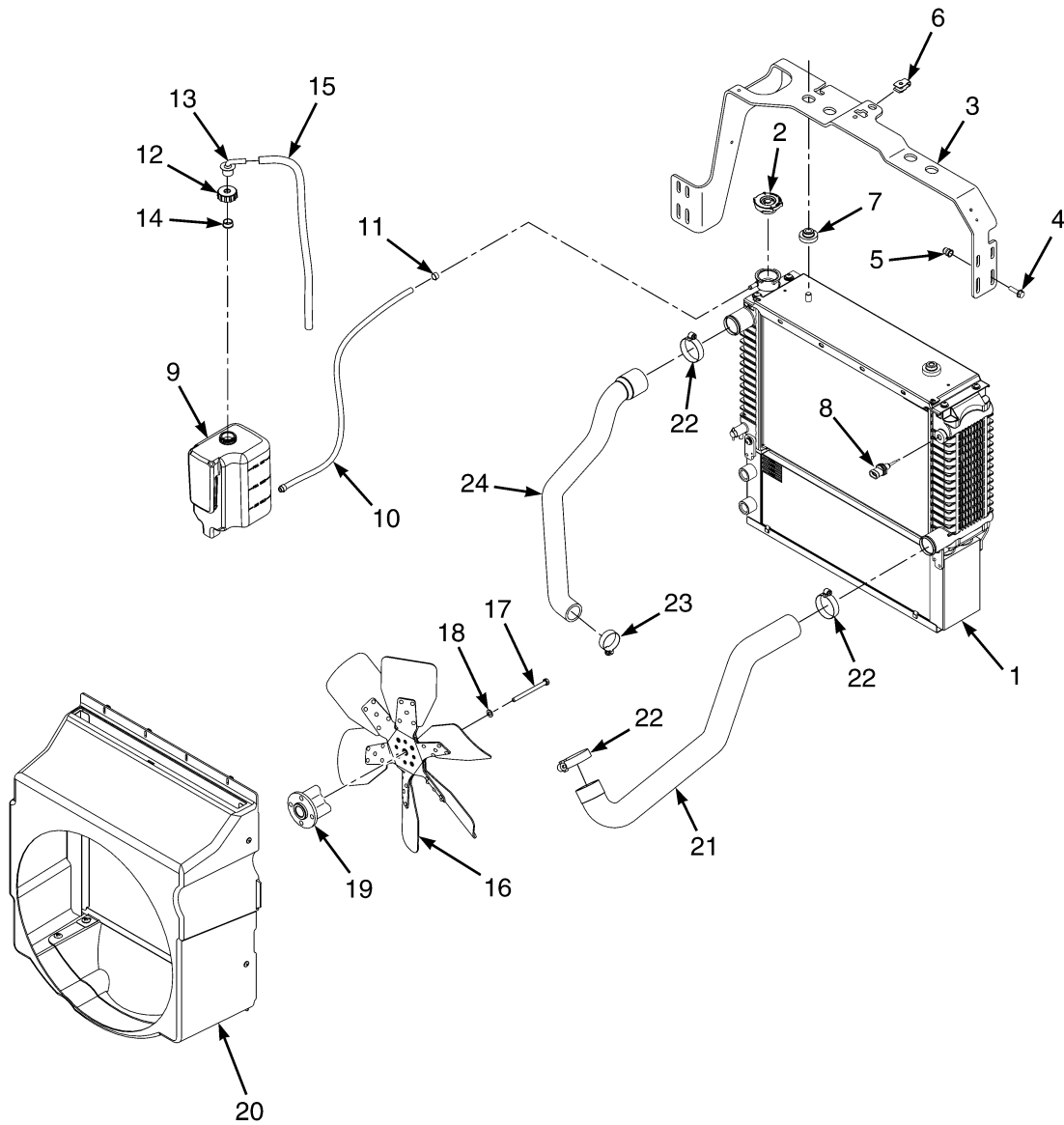


BP090206

ENGINE MOUNTING
GM 4.3L, LPG

ITEM	PART NO.	DESCRIPTION	QTY
1	1590397	Mount (LH)	1
1	1590399	Mount (RH)	1
2	1673981	Bracket (Crossmember)	1
3	293699	Capscrew	2
4	1504075	Washer	2
5	1557737	Washer	4
6	2069951	Isolator	4
7	1565453	Nut (Flange)	2
8	303150	Dowel	2
9	1591666	Capscrew	4
10	1565195	Capscrew	6
11	1566853	Capscrew	4

COOLING (FIGURE 3-2) GM 4.3L, LPG — SHORT WHEEL BASE WITH EXTERNAL OIL COOLER



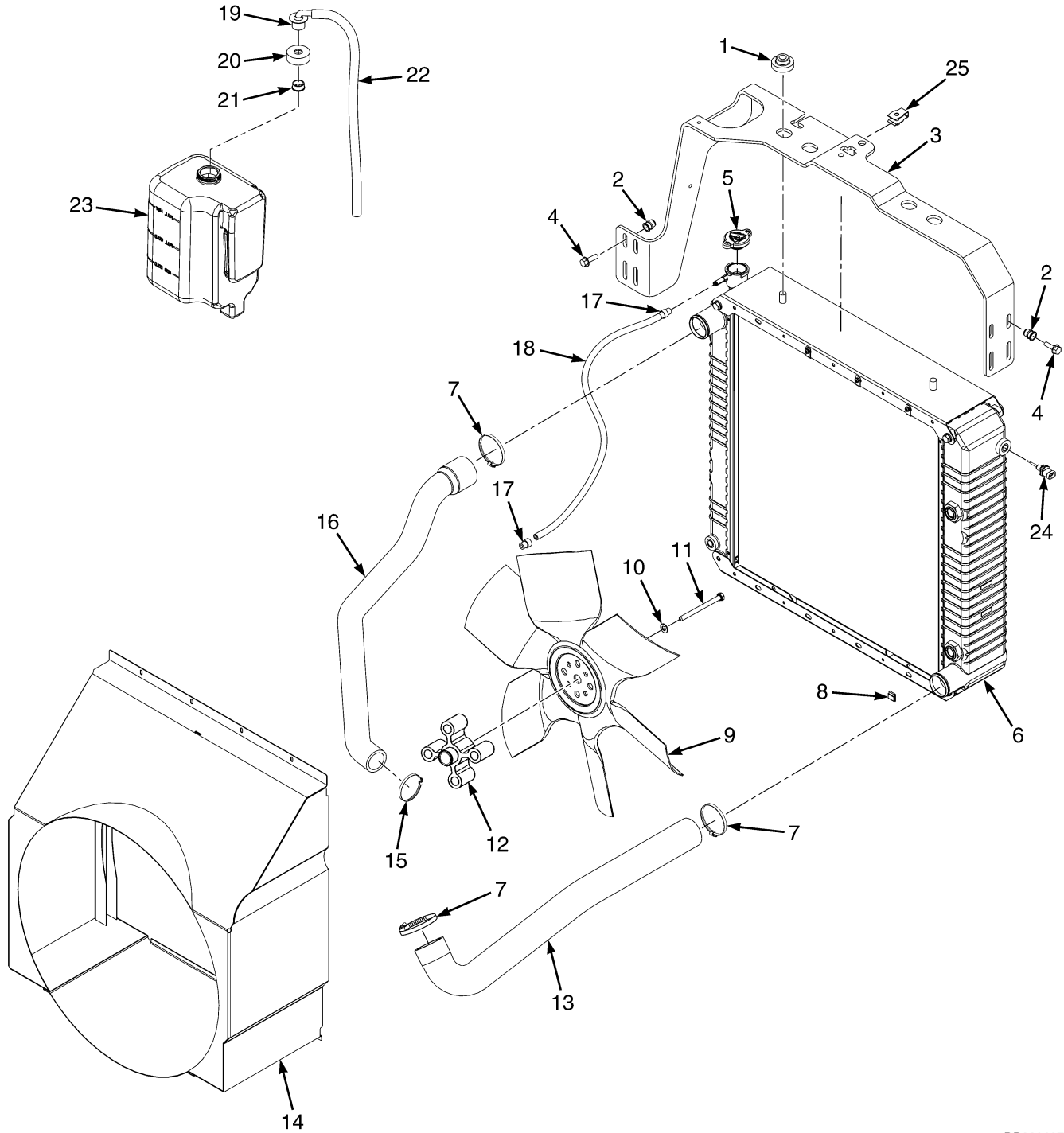
BP060108

COOLING
GM 4.3L, LPG – SHORT WHEEL BASE WITH EXTERNAL OIL COOLER

ITEM	PART NO.	DESCRIPTION	QTY
1	4603551	Radiator (Assembly)	1
1	4038256	Radiator	1
1	4038262	Oil Cooler	1
1	4038264	Drain Valve	1
1	4038265	Nut , Foldover	2
1	4038266	Bolt (With Washer)	8
1	4038267	Bolt (With Washer)	4
1	4142035	Frame (Top)	1
1	4142040	Frame (Bottom)	1
1	4136558	Isolator	2
1	4136559	Collar	2
2	178899	Radiator Cap	1
3	a 4000086	Bracket	1
3	b 1699135	Bracket Wldmt	1
4	1527881	Capscrew	4
5	1530243	Insert	4
6	1393879	Nut	1
7	1529787	Isolator	4
8	1531404	Sensor (Low Coolant Level)	1
8	14385	Fitting (Without Low Coolant level Sensor)	1
9	1643342	Reservoir	1
10	1581024	Hose	1
11	369815	Clamp	2
12	345455	Outlet Assembly	1
12	345454	Cap	1
13	345453	Outlet (Reservoir)	1
13	4127425	Seal	1
14	336550	Bushing	1
15	1663877	Hose	1
16	4612998		
	4634121	Fan (with Scalloped Blades)	1
17	293622	Capscrew	4
18	296418	Washer	4
19	1453247	Spacer	1
20	2098883	Shroud (Upper) (☞Figure 3-5, ☞Figure 3-6).....	1
20	2098884	Shroud (Lower) (☞Figure 3-5, ☞Figure 3-6).....	1
21	2072827	Radiator Hose (Lower)	1
22	119236	Clamp	3
23	369804	Clamp	1
24	2072819	Radiator Hose (Upper)	1

FOOTNOTES:**a** One Piece Design**b** Three Piece design

COOLING (FIGURE 3-3) GM 4.3L, LPG — SHORT WHEEL BASE WITHOUT EXTERNAL OIL COOLER



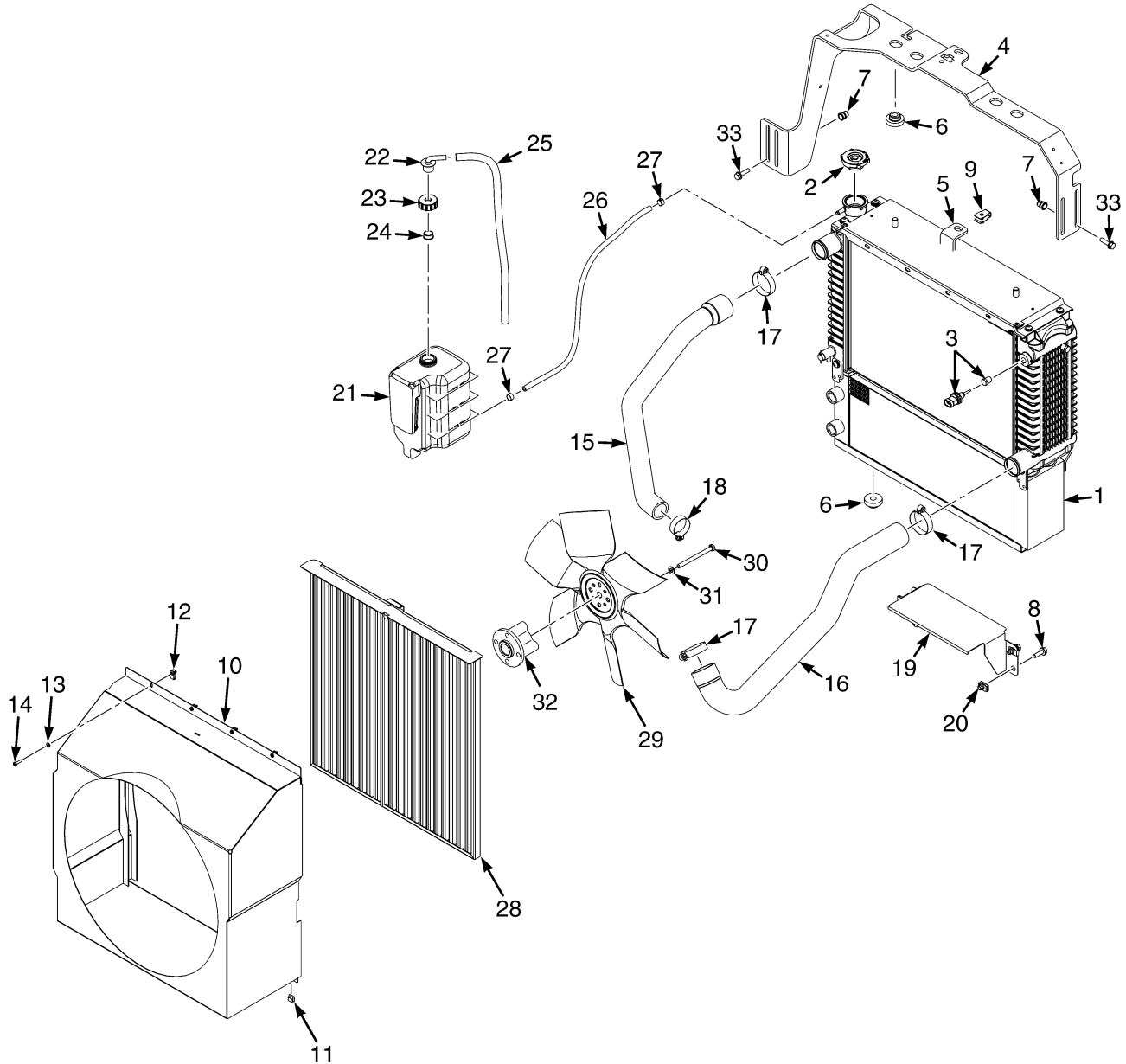
BP060107

COOLING
GM 4.3L, LPG – SHORT WHEEL BASE WITHOUT EXTERNAL OIL COOLER

ITEM	PART NO.	DESCRIPTION	QTY
1	1529787	Isolator	4
2	1530243	Insert	4
3	a 4000086	Bracket (Radiator)	1
3	b 1699135	Bracket Wldmt	1
4	1527881	Capscrew	4
5	1352140	Radiator Cap	1
6	2102313	Radiator	1
7	119236	Clamp	3
8	1693705	Clip	2
9	2099479		
	4634120	Fan (with Scalloped Blades)	1
10	296418	Washer	4
11	1566505	Capscrew	4
12	1453247	Spacer	1
13	2102984	Radiator Hose (Lower)	1
14	2098883	Shroud (☞Figure 3-5, ☞Figure 3-6).....	1
14	2098884	Shroud (Lower, Not Illustrated) (☞Figure 3-5, ☞Figure 3-6).....	1
15	369804	Clamp	1
16	2072819	Radiator Hose (Upper)	1
17	369815	Clamp	2
18	1581024	Hose	1
19	345455	Outlet Assembly	1
19	345453	Outlet (Reservoir)	1
19	4127425	Seal	1
20	345454	Cap	1
21	336550	Bushing	1
22	1663877	Hose	1
23	1643342	Reservoir	1
24	1531404	Sensor (Low Coolant Level)	1
24	14385	Fitting	1
25	1393879	Nut (Clip)	1

FOOTNOTES:**a** One Piece Design**b** Three Piece Design

COOLING (FIGURE 3-4) GM 4.3L, LPG — LONG WHEEL BASE WITH EXTERNAL COOLER



BP060109

COOLING
GM 4.3L, LPG – LONG WHEEL BASE WITH EXTERNAL COOLER

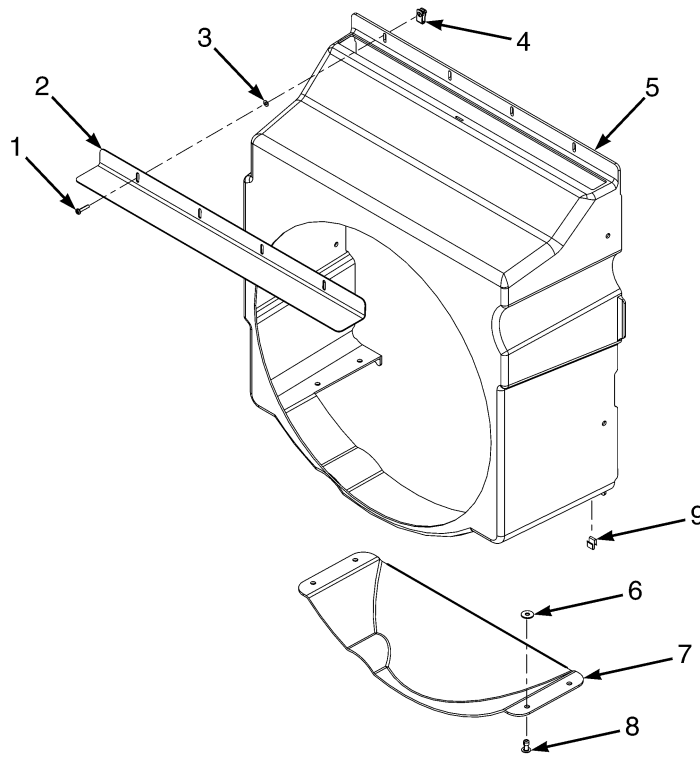
ITEM	PART NO.	DESCRIPTION	QTY
1	4603551	Radiator (Assembly)	1
1	4038256	Radiator	1
1	4038262	Oil Cooler	1
1	4038264	Drain Valve	1
1	4038265	Nut , Foldover	2
1	4038266	Bolt (With Washer)	8
1	4038267	Bolt (With Washer)	4
1	4142035	Frame (Top)	1
1	4142040	Frame (Bottom)	1
1	4136558	Isolator	2
1	4136559	Collar	2
2	178899	Radiator Cap	1
3	1531404	Sensor (Low Coolant Level)	1
3	14385	Fitting (Without Low Coolant Sensor)	1
4	a 4000086	Bracket	1
4	b 1699135	Bracket Wldmt	1
5	1678327	Bracket (Offset)	1
6	1529787	Isolator	4
7	1530243	Insert	5
8	1510113	Capscrew	9
9	1393879	Nut	1
10	4068572	Shroud	1
11	1551663	Clip	2
12	1535257	Nut (Clip)	4
13	320154	Washer	4
14	302023	Screw	4
15	2072821	Radiator Hose (Upper)	1
16	2072829	Radiator Hose (Lower)	1
17	119236	Clamp	3
18	369804	Clamp	1
19	4068484	Heat Shield (Lower Radiator)	1
20	1480237	Nut	4
21	1643342	Reservoir	1
22	345455	Outlet Assembly	1
22	345453	Outlet (Reservoir)	1
22	4127425	Seal	1
23	345454	Cap	1
24	336550	Bushing	1
25	1663877	Hose	1
26	1302955	Hose	1
27	369815	Clamp	2
28	1574286	Screen	1
29	4612998		
	4634121	Fan (with Scalloped Blades)	1
30	293622	Capscrew	4
31	296418	Washer	4
32	4042107	Collar	1
33	1527881	Capscrew	4

FOOTNOTES:

a One Piece Design

b Three Piece Design

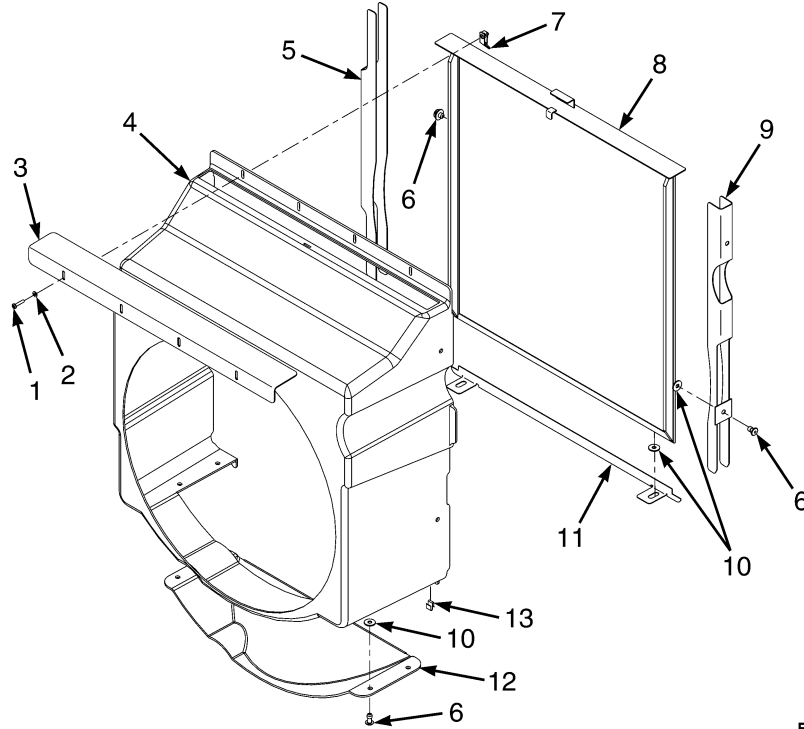
**FAN SHROUD WITHOUT RADIATOR SCREEN (FIGURE 3-5)
GM 4.3L, LPG — SHORT WHEEL BASE**



BP060105

ITEM	PART NO.	DESCRIPTION	QTY
1	302024	Screw	4
2	1676093	Cover (Shroud)	1
3	320154	Washer	4
4	1535257	Nut	4
5	2098883	Shroud (Upper)	1
6	1476421	Washer	4
7	2098884	Shroud (Lower)	1
8	222036	Rivet	4
9	1693705	Clip	2

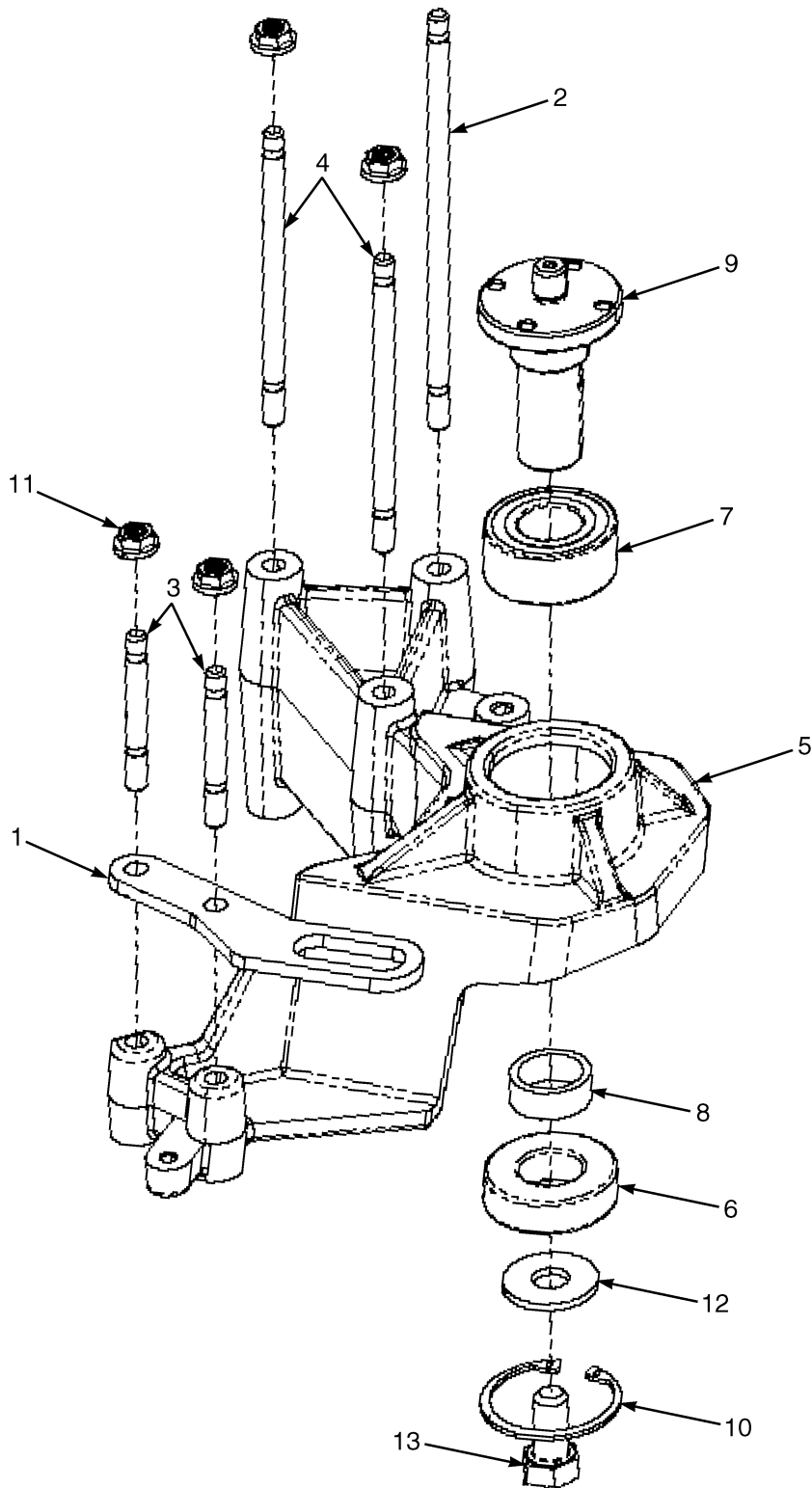
FAN SHROUD WITH RADIATOR SCREEN (FIGURE 3-6) GM 4.3L, LPG — SHORT WHEEL BASE



BP060104

ITEM	PART NO.	DESCRIPTION	QTY
1	302024	Screw	4
2	320154	Washer	4
3	1676093	Cover (Shroud)	1
4	2098883	Shroud (Upper)	1
5	4006020	Channel (RH)	1
6	222036	Rivet	8
7	1535257	Nut	4
8	4003844	Screen	1
9	4006017	Channel (LH)	1
10	1476421	Washer	4
11	1684275	Bracket	1
12	2098884	Shroud (Lower)	1
13	1693705	Clip	2

FAN MOUNT ASSEMBLY (FIGURE 3-7) GM 4.3L LPG

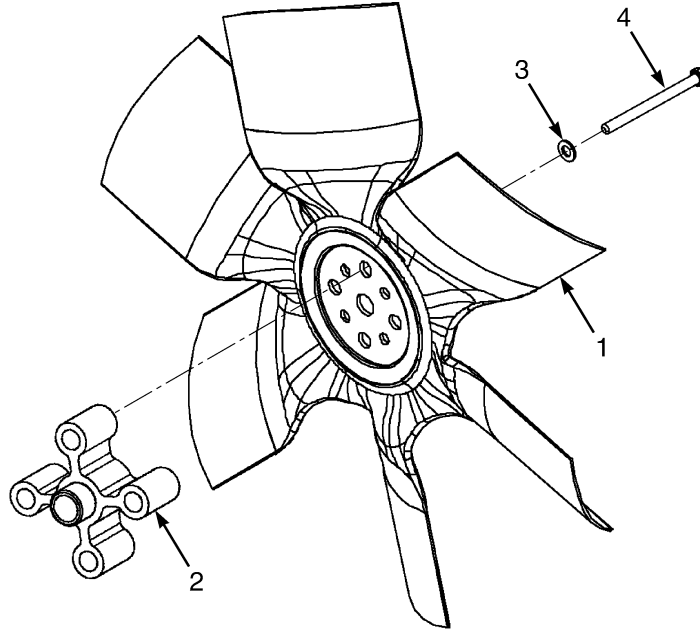


BP090457

FAN MOUNT ASSEMBLY
GM 4.3L LPG

ITEM	PART NO.	DESCRIPTION	QTY
1	4019016	Bracket	1
2	1578619	Stud	1
3	1578620	Stud	2
4	1578617	Stud	2
5	4019033 1615817	Bracket	1
6	4019034	Ball Bearing	1
7	4019035	Ball Bearing	1
8	4019036 1615818	Spacer	1
9	2083634	Shaft	1
10	4019038	Snap Ring	1
11	1460477	Nut	4
12	15906	Lockwasher	1
13	292559	Capscrew	1

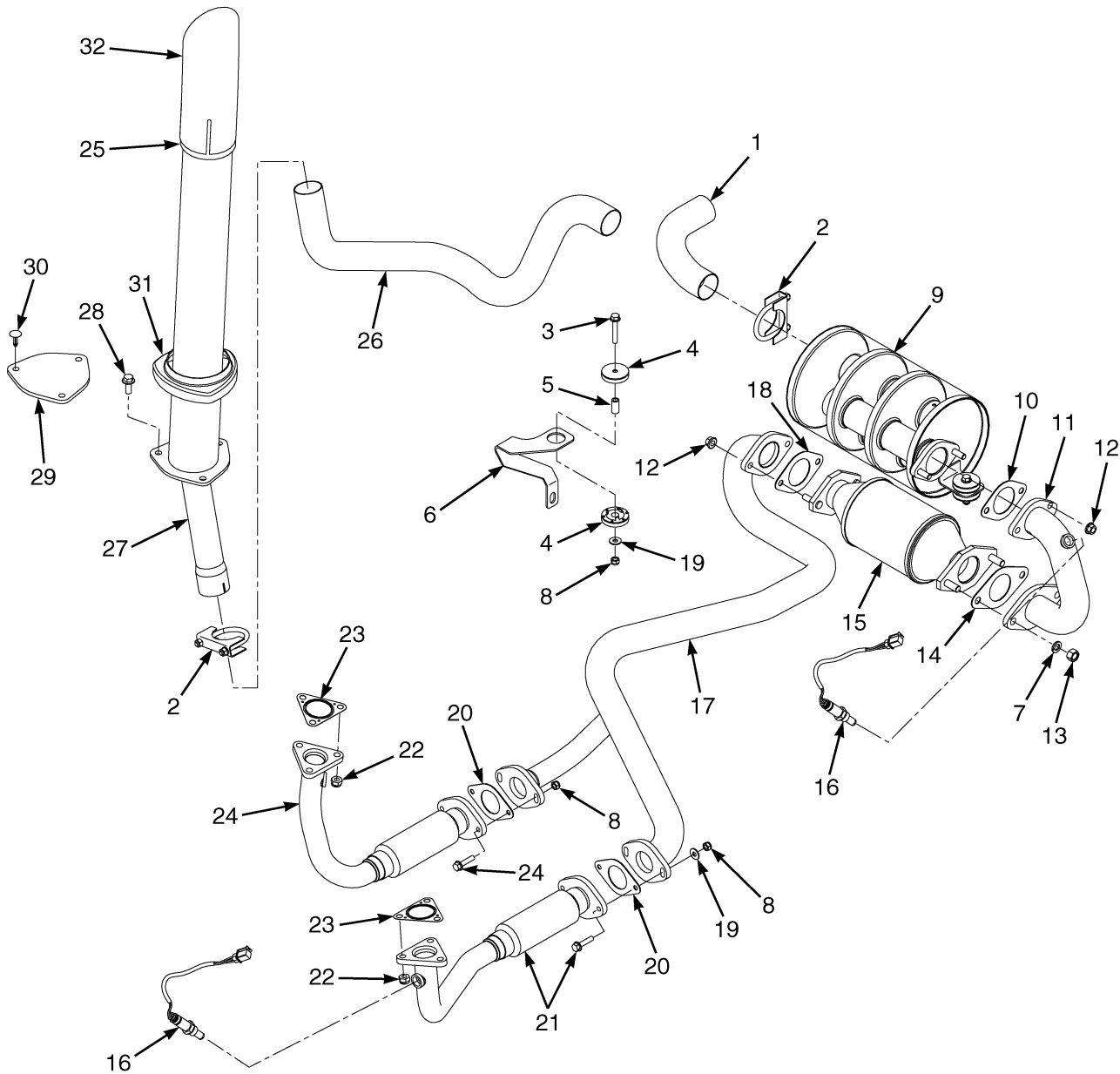
FAN ASSEMBLY (FIGURE 3-8) GM 4.3L LPG



BP090468

ITEM	PART NO.	DESCRIPTION	QTY
1	2099479		
	4634120	Fan (with Scalloped Blades)	1
2	1453247	Spacer	1
3	296418	Washer	4
4	1566505	Capscrew	4

EXHAUST SYSTEM (FIGURE 3-9) GM 4.3L LPG — WITH CATALYTIC CONVERTER



BP110099

EXHAUST SYSTEM

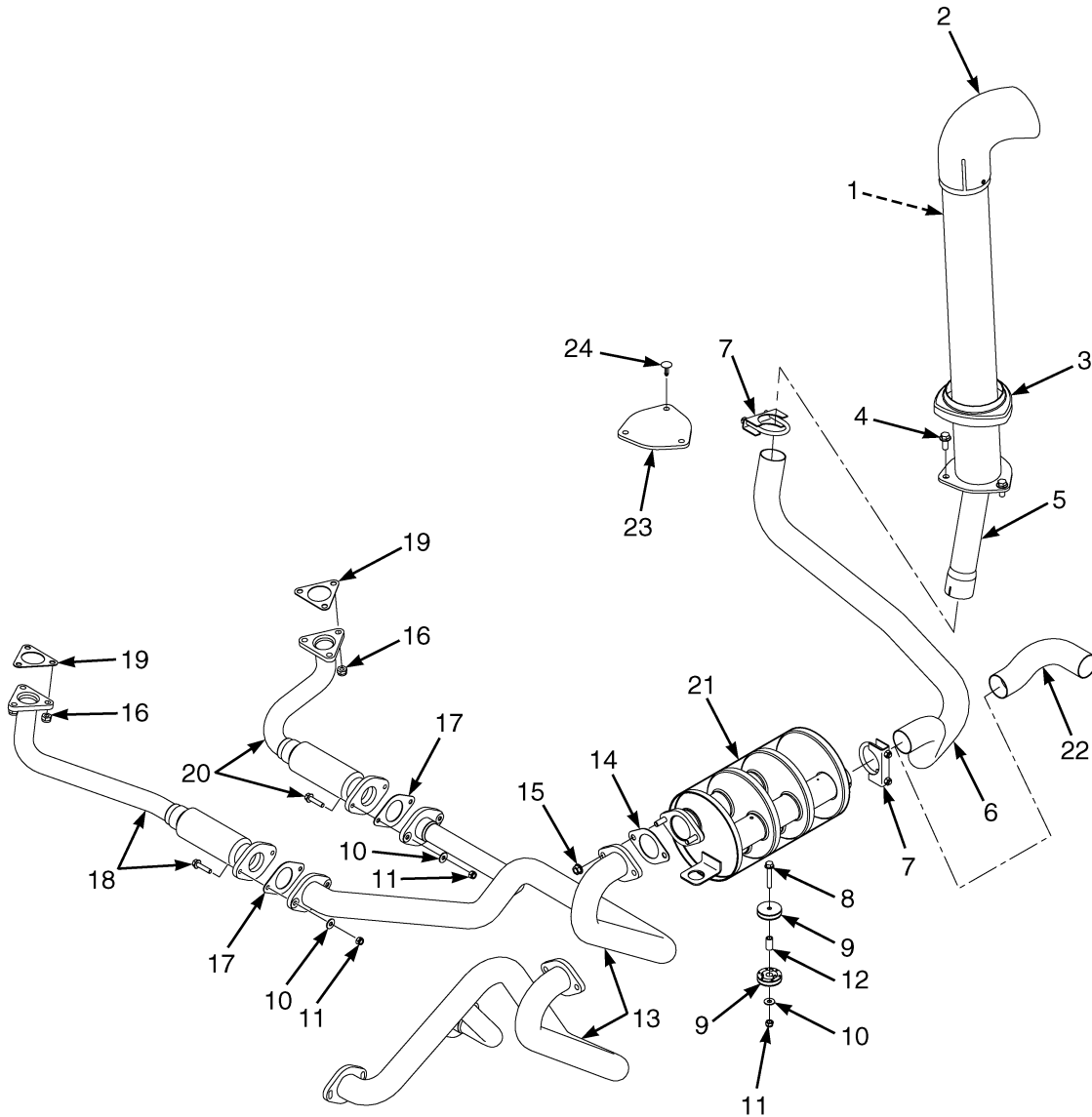
GM 4.3L LPG – WITH CATALYTIC CONVERTER

KEY:**A: Counterweight Exhaust****B: Overhead Exhaust**

ITEM	PART NO.	DESCRIPTION	QTY	
			A	B
1	1578926	Exhaust Pipe	1	..
2	30370	Clamp	1	2
3	1510115	Capscrew	2	2
4	1709996	Isolator	4	4
5	1708371	Spacer	2	2
6	1578873	Bracket	1	1
7	292683	Lockwasher	2	2
8	1582222	Locknut	6	6
9	2078353	Muffler (Crimped)	1	1
9	2072202	Muffler (Welded) (Safety Truck Only)	1	1
10	1402189	Gasket	1	1
11	4070380	Exhaust Pipe	1	1
12	1460477	Nut	4	4
13	1469405	Nut	2	2
14	1580028	Gasket	1	1
15	4615342	Catalytic Converter	1	1
16	1646456	Sensor (Oxygen)	2	2
17	b 4039957	Exhaust Pipe	1	1
17	a 4039961	Exhaust Pipe	1	1
18	1580027	Gasket	1	1
19	320158	Washer	6	6
20	4018959	Gasket	2	2
21	4040182	Exhaust Pipe	1	1
21	1528482	Capscrew	2	2
22	1580136	Locknut	6	6
23	4006052	Gasket	2	2
24	4040183	Exhaust Pipe	1	1
24	1528482	Capscrew	2	2
25	1708540	Screw	2
26	b 1581072	Exhaust Pipe	1
26	a 1581068	Exhaust Pipe	1
27	1650668	Tail Pipe	1
28	1510117	Capscrew	3
29	1347043	Cover	1	..
30	1347045	Fastener	3	..
31	1351178	Cover	1
32	4050337	Exhaust Pipe	1

FOOTNOTES:**a** H4.0-4.5FT6, H5.0FT, H5.5FT**b** H4.0FT5, H4.5FTS5

EXHAUST SYSTEM (FIGURE 3-10) GM 4.3L LPG — WITHOUT CATALYTIC CONVERTER



BP110128

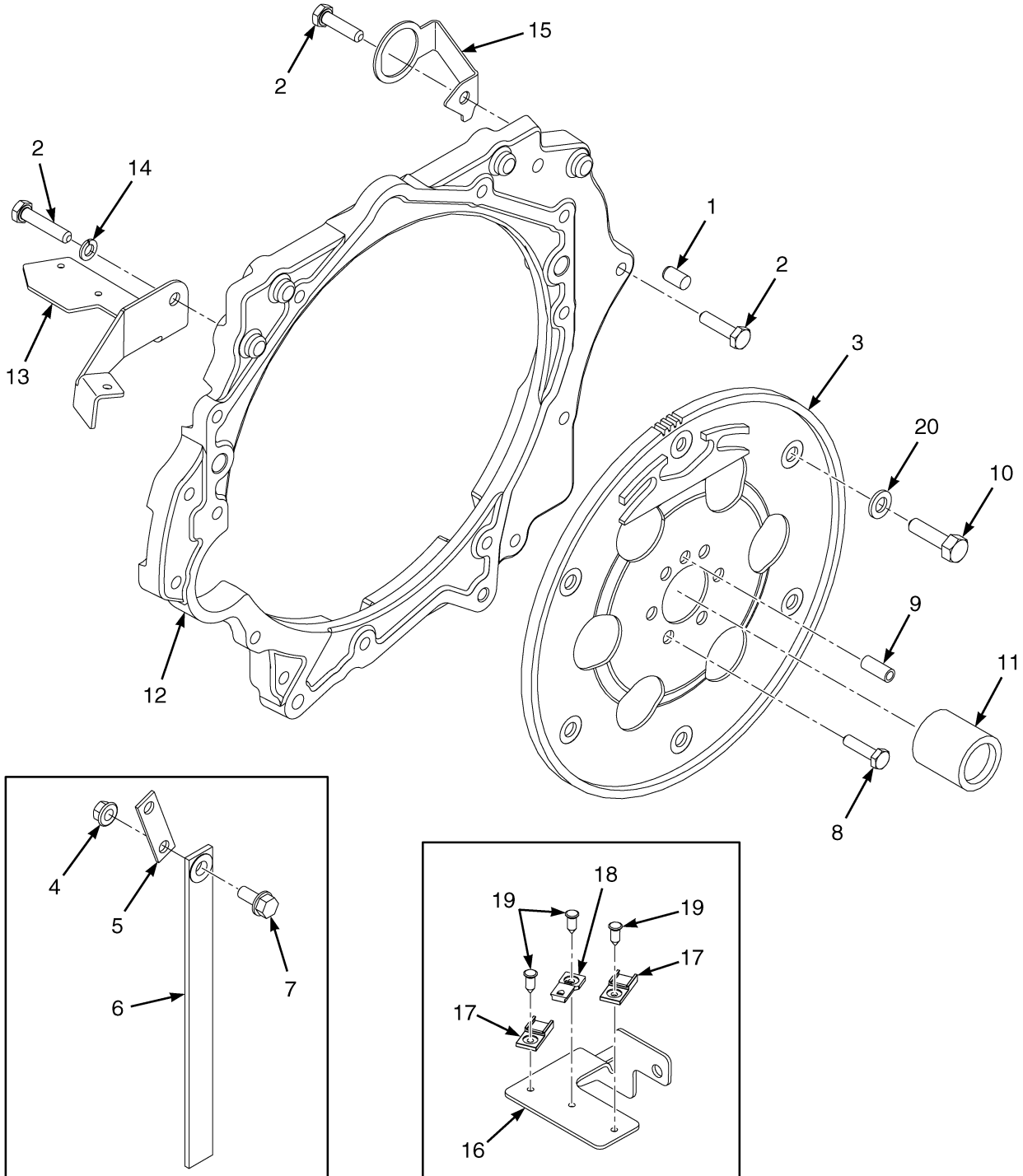
EXHAUST SYSTEM
GM 4.3L LPG – WITHOUT CATALYTIC CONVERTER

KEY:**A: Counterweight Exhaust****B: Overhead Exhaust**

ITEM	PART NO.	DESCRIPTION	QTY	
			A	B
1	1708540	Screw	1
2	4050337	Exhaust Pipe	1
3	1351178	Cover	1
4	1510117	Capscrew	3
5	1650668	Tail Pipe	1
6	b 1581072	Exhaust Pipe	1
6	a 1581068	Exhaust Pipe	1
7	30370	Clamp	1	2
8	1510115	Capscrew	2	2
9	1709996	Isolator	4	4
10	320158	Washer	6	6
11	1582222	Locknut	6	6
12	1708371	Spacer	2	2
13	b 4039959	Exhaust Pipe	1	1
13	a 4039963	Exhaust Pipe	1	1
14	1402189	Gasket	1	1
15	1460477	Nut	2	2
16	1580136	Locknut	6	6
17	4018959	Gasket	2	2
18	4040183	Exhaust Pipe	1	1
18	1528482	Capscrew	2	2
19	4006052	Gasket	2	2
20	4040182	Exhaust Pipe	1	1
20	1528482	Capscrew	2	2
21	2078353	Muffler	1	1
21	2072202	Muffler (Welded) (Optional)	1	1
22	1578926	Exhaust Pipe	1	..
23	1347043	Cover	1	..
24	1347045	Fastener	3	..

FOOTNOTES:**a** H4.0-4.5FT6, H5.0FT, H5.5FT**b** H4.0FT5, H4.5FTS5

FLYWHEEL AND HOUSING (FIGURE 3-11) GM 4.3L LPG



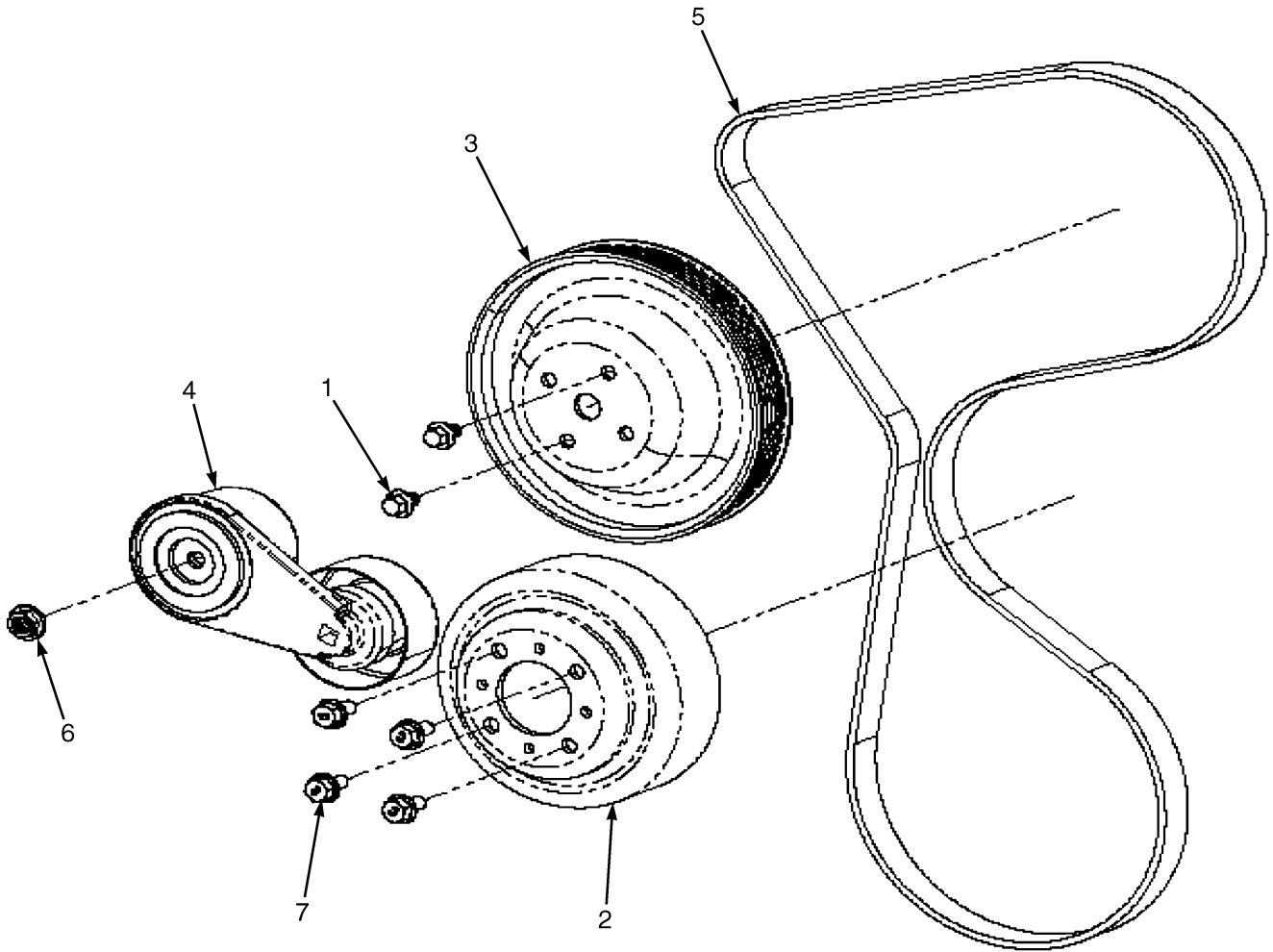
BP130288

**FLYWHEEL AND HOUSING
GM 4.3L LPG**

ITEM	PART NO.	DESCRIPTION	QTY
1	303150	Dowel	2
2	292515	Capscrew	18
3	1399298	Flywheel	1
4	1460477	Nut	1
5	1565832	Bracket	1
6	240072	Static Strap	1
7	1586013	Capscrew	1
8	1456112	Bolt	6
9	375571	Pin	1
10	1541921	Capscrew	6
11	1627345	Bearing	1
12	1553269	Housing	1
13	1660913	Bracket (Tube Retention)	1
14	292682	Lockwasher	19
15	1654415	Bracket (Electrical Connector)	1
16	1623093	Bracket	1
17	1500912	Clip	2
18	1531480	Clip	1
19	1582464	Fastener	3
20	296420	Washer	6
	a 1707207	Plug	2

FOOTNOTES:**a** Not Illustrated

PULLEY AND TENSIONER (FIGURE 3-12)
GM 4.3L LPG

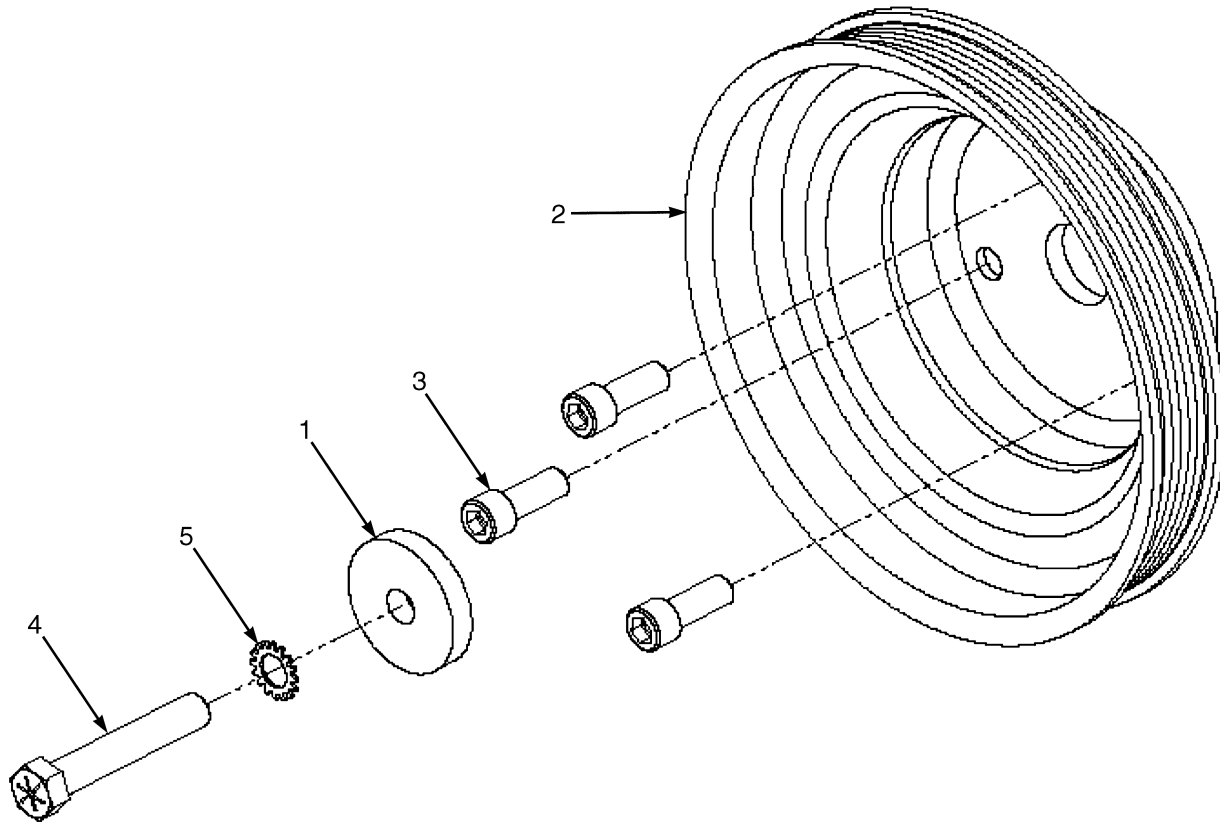


BP090458

**PULLEY AND TENSIONER
GM 4.3L LPG**

ITEM	PART NO.	DESCRIPTION	QTY
	4615531	Engine Assy-LPG (PSI Series)	1
	4615533	Engine Assy-LPG (Heavy Duty) (PSI Series)	1
1	4019122	Bolt	2
2	2063017	Pulley (Water Pump)	1
3	4019124	Fan Pulley	1
4	4019125	Tensioner	1
5	2090051	V-Belt (Serpentine 6 Rib Micro)	1
6	1460477	Nut	1
7	4109993		
	1527879	Capscrew	4

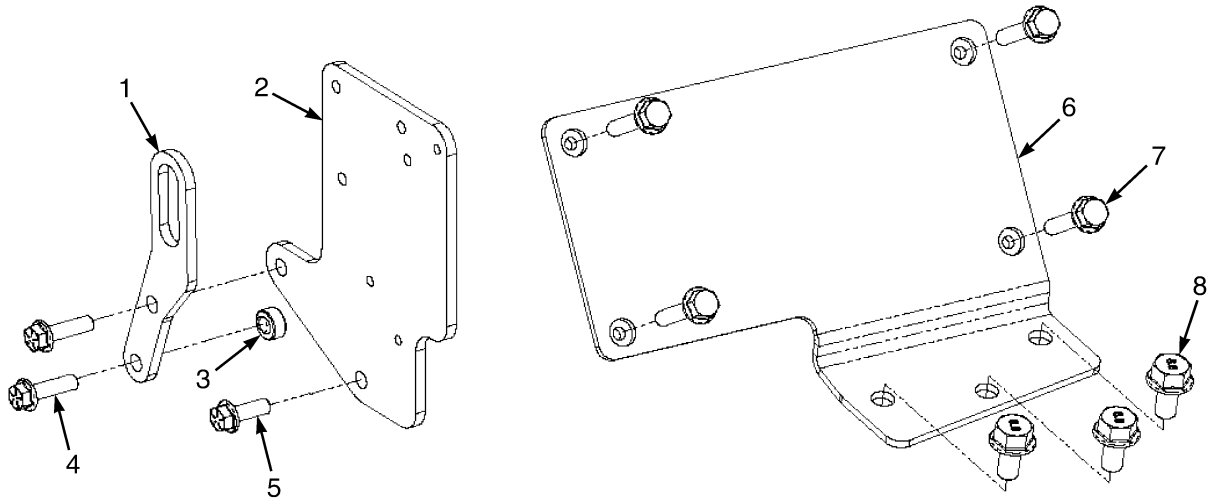
CRANKSHAFT PULLEY (FIGURE 3-13) GM 4.3L LPG



BP090465

ITEM	PART NO.	DESCRIPTION	QTY
	4615531	Engine Assy-LPG (PSI Series)	1
	4615533	Engine Assy-LPG (Heavy Duty) (PSI Series)	1
1	1305165	Washer	1
2	1377750	Pulley	1
3	34811	Screw	3
4	221545	Capscrew	1
5	15917	Lockwasher	1

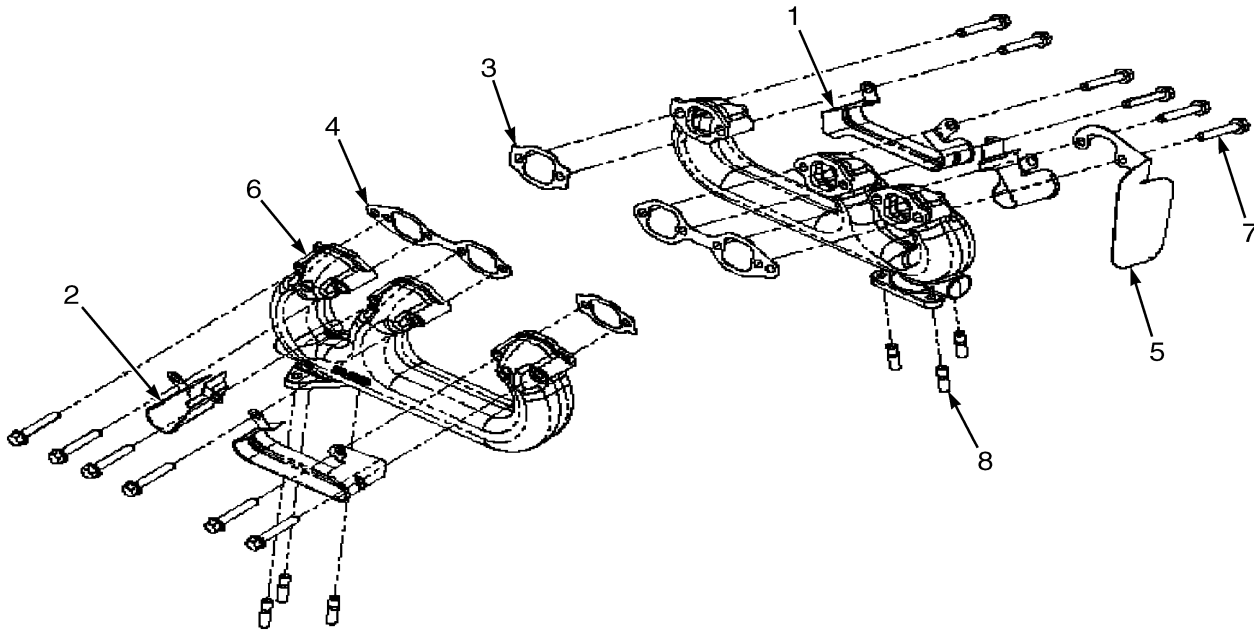
**ELECTRICAL MOUNTING PLATE (FIGURE 3-14)
GM 4.3L LPG**



BP090469

ITEM	PART NO.	DESCRIPTION	QTY
1	4019016	Bracket (Lifting Eye)	1
2	4040248	Bracket (Electrical)	1
3	4040289	Spacer	1
4	4040290	Bolt	2
5	4040290	Bolt	1
6	4040269	Bracket (ECU)	1
7	4109993	Capscrew	3
8	4019082	Bolt	4

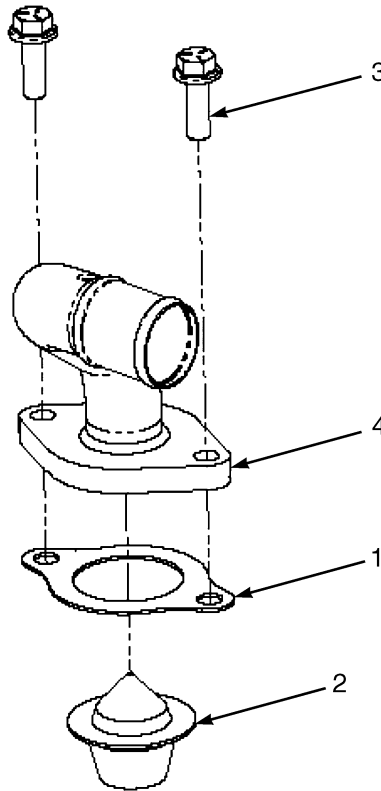
EXHAUST MANIFOLDS (FIGURE 3-15) GM 4.3L LPG



BP090459

ITEM	PART NO.	DESCRIPTION	QTY
	4615531	Engine Assy-LPG (PSI Series)	1
	4615533	Engine Assy-LPG (Heavy Duty) (PSI Series)	1
1	1316488	Shield	2
2	1316487	Shield	2
3	4040272	Gasket	2
4	4040273	Gasket	2
5	1529010	Heat Shield	1
6	4040274	Exhaust Manifold (Standard)	2
6	4040281	Exhaust Manifold (Heavy Duty)	2
7	1383257	Bolt	12
8	4033440	Stud	6

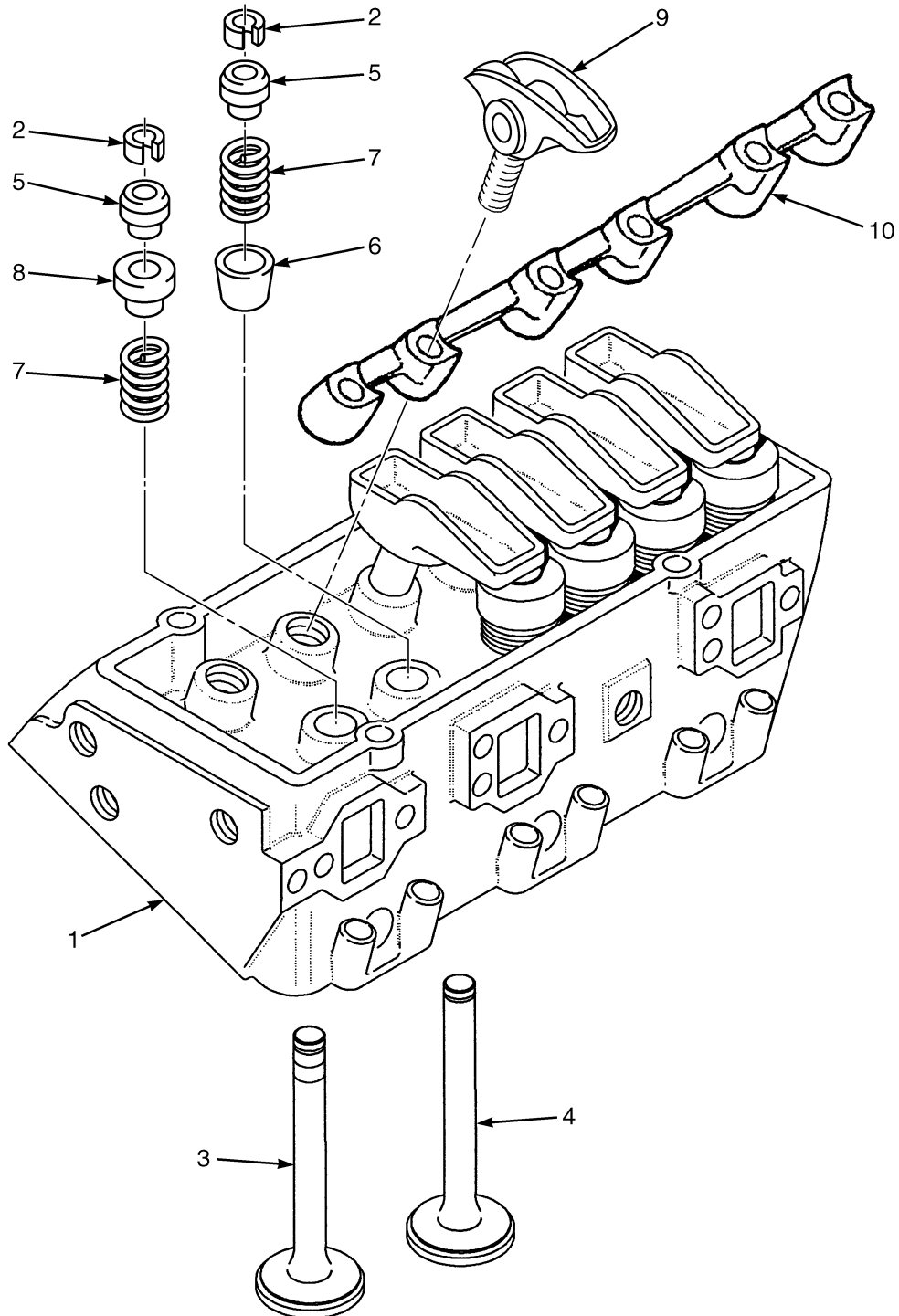
**THERMOSTAT AND WATER OUTLET HOUSING (FIGURE 3-16)
GM 4.3L LPG**



BP090461

ITEM	PART NO.	DESCRIPTION	QTY
	4615531	Engine Assy-LPG (PSI Series)	1
	4615533	Engine Assy-LPG (Heavy Duty) (PSI Series)	1
1	4019021	Gasket	1
2	4019022	Thermostat	1
3	159708	Capscrew	2
4	4040271	Thermostat Housing	1

CYLINDER HEAD (FIGURE 3-17) GM 4.3L LPG



HP090254

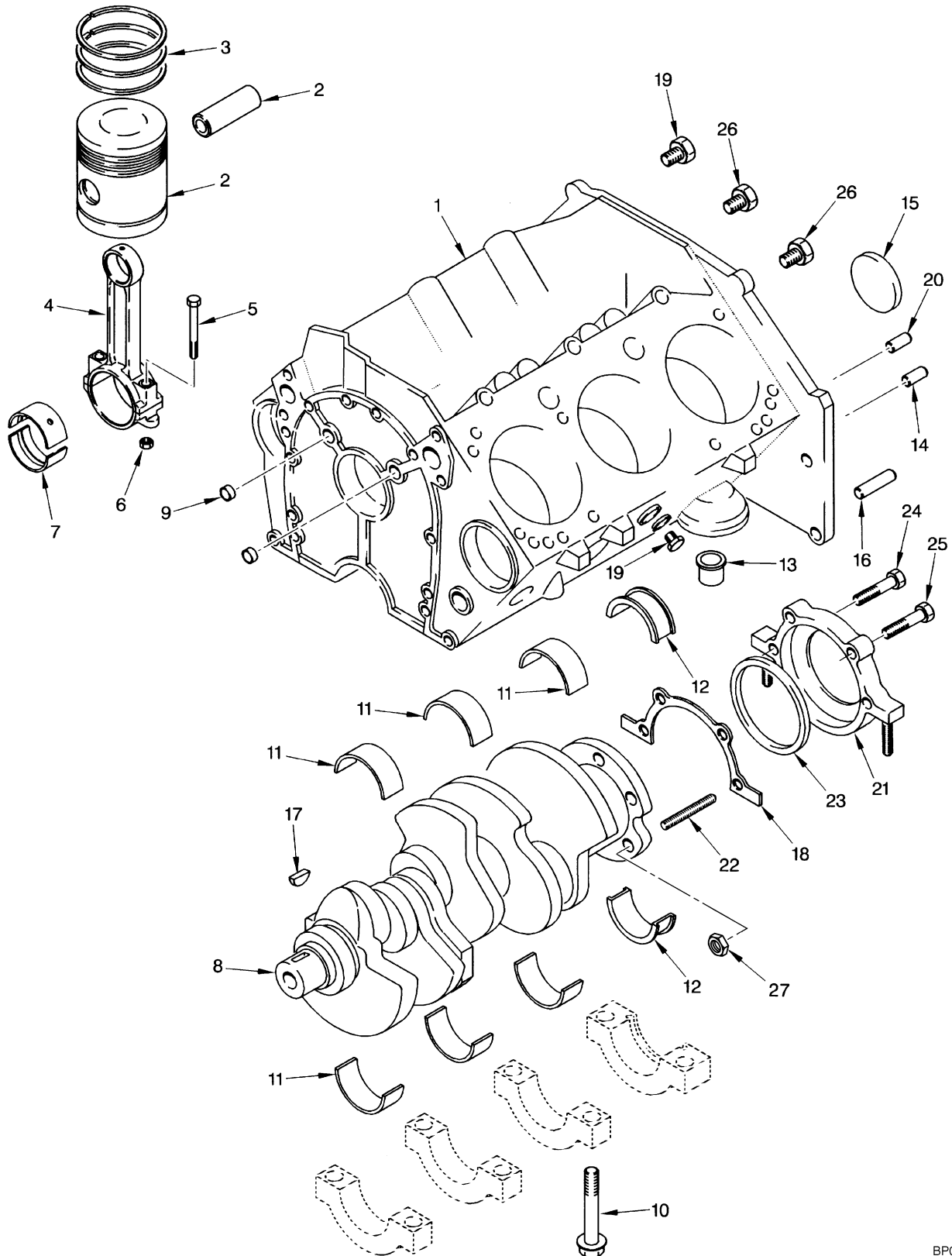
**CYLINDER HEAD
GM 4.3L LPG**

ITEM	PART NO.	DESCRIPTION	QTY
	4615531	Engine Assy-LPG (PSI Series)	1
	4615533	Engine Assy-LPG (Heavy Duty) (PSI Series)	1
1	1653888	Cylinder Head	2
	4017128	Kit-Service (Head-LPG) (Heavy Duty)	2
2	1377110	Valve Stop	24
3	1482701	Exhaust Valve	6
4	1386195	Inlet Valve	6
5	1393127	Cap	12
6	1386197	Seal (Black-Intake) (Intake)	6
7	1689026	Spring	12
8	1460384	Seal (Orange-Exhaust) (Exhaust)	6
9	1389051	Bolt	4
9	1653887	Rocker Arm	12
10	1489643	Support (Rocker Arm)	2
	a 1386190	Cylinder Head Gasket	1

FOOTNOTES:

a Not Illustrated

CYLINDER BLOCK (FIGURE 3-18) GM 4.3L LPG



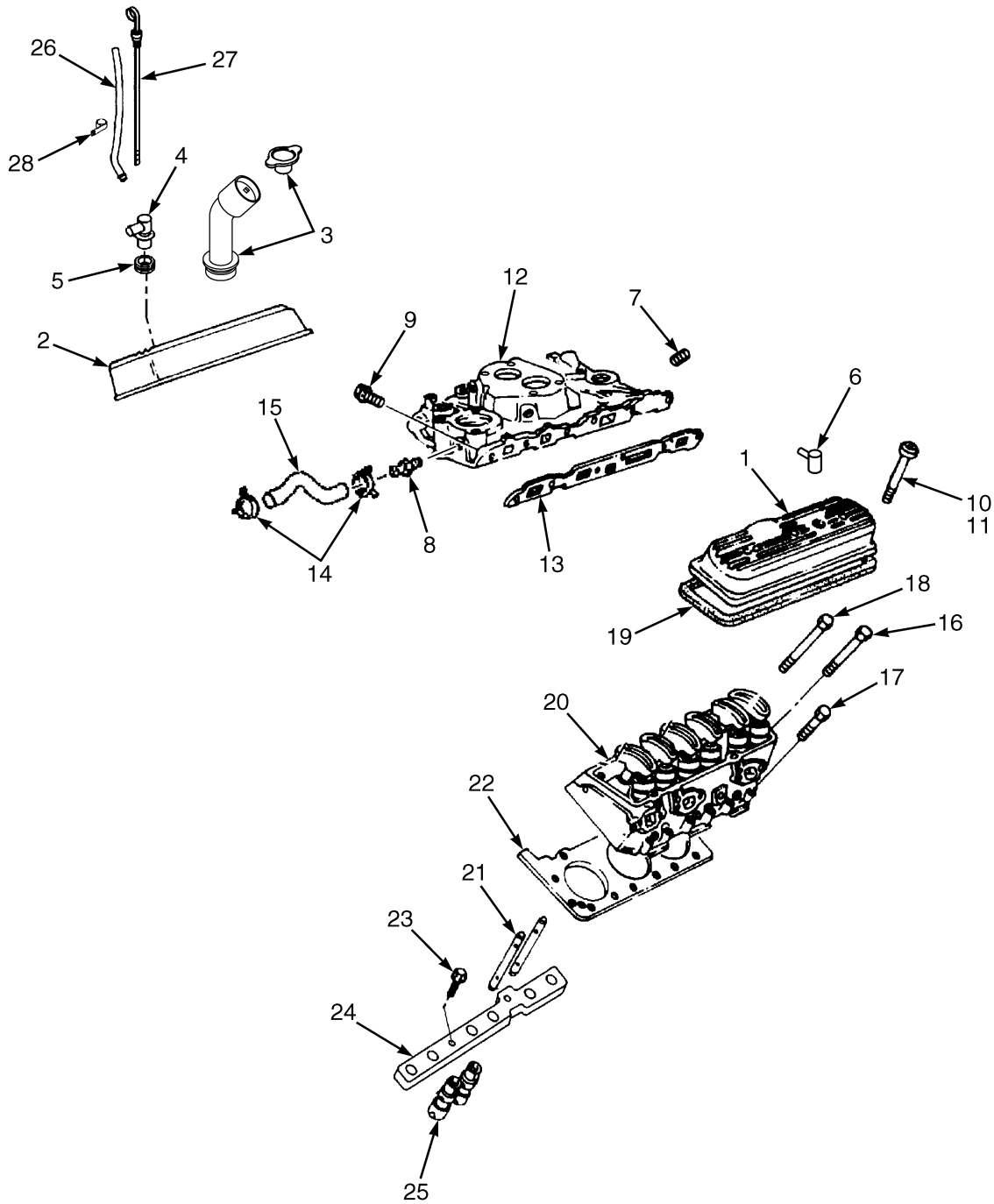
BP090113

CYLINDER BLOCK
GM 4.3L LPG

ITEM	PART NO.	DESCRIPTION	QTY
	4615531	Engine Assy-LPG (PSI Series)	1
	4615533	Engine Assy-LPG (Heavy Duty) (PSI Series)	1
1	Short Block Assembly	1
2	1390759	Kit-Piston with Pin (Standard)	6
2	1390760	Kit-Piston with Pin (0.5 mm O/S) (0,5 mm)	6
2	1627183	Kit-Piston with Pin (0.127 mm O/S)	6
3	1390761	Kit-Piston Ring (Standard)	6
3	1390765	Kit-Piston Ring (0.5 mm O/S) (0,5 mm)	6
4	1360179	Piston Rod (GFI Series)	6
4	4038242	Rod Assy (Piston) (PSI Series)	6
5	1360182	Bolt (GFI Series)	2
5	4038241	Bolt (PSI Series)	2
6	1330450	Nut	2
7	1390770	Piston Rod Bearing (Connecting Rod) (Standard)	1
8	1460386	Crankshaft	1
9	388302	Plug	3
10	263842	Bolt	10
11	1558807	Bearing Set (Standard)	3
11	1460738	Bearing Set (0.50 mm O/S)	3
12	1309839	Bearing Set (0.25 mm O/S) (Crankshaft) (GFI Series)	1
12	1390773	Bearing Set (0.025 mm) (PSI Series)	1
13	1514968	Valve	1
14	159977	Pin	4
15	1374313	Plug	1
16	1335499	Pin	2
17	1451319	Key	1
18	1500884	Gasket	1
19	388302	Plug	2
20	375601	Pin (CR/SHF RR Seal Retainer)	1
21	1460330	Retainer	1
22	1450555	Stud	2
23	1460331	Seal	1
24	375575	Bolt	1
25	1335490	Bolt	1
26	1331341	Plug	4
27	388313	Nut	1
	a 159971	Plug	8

FOOTNOTES:**a** Not Illustrated

VALVE COVER AND INLET MANIFOLD (FIGURE 3-19) GM 4.3L LPG

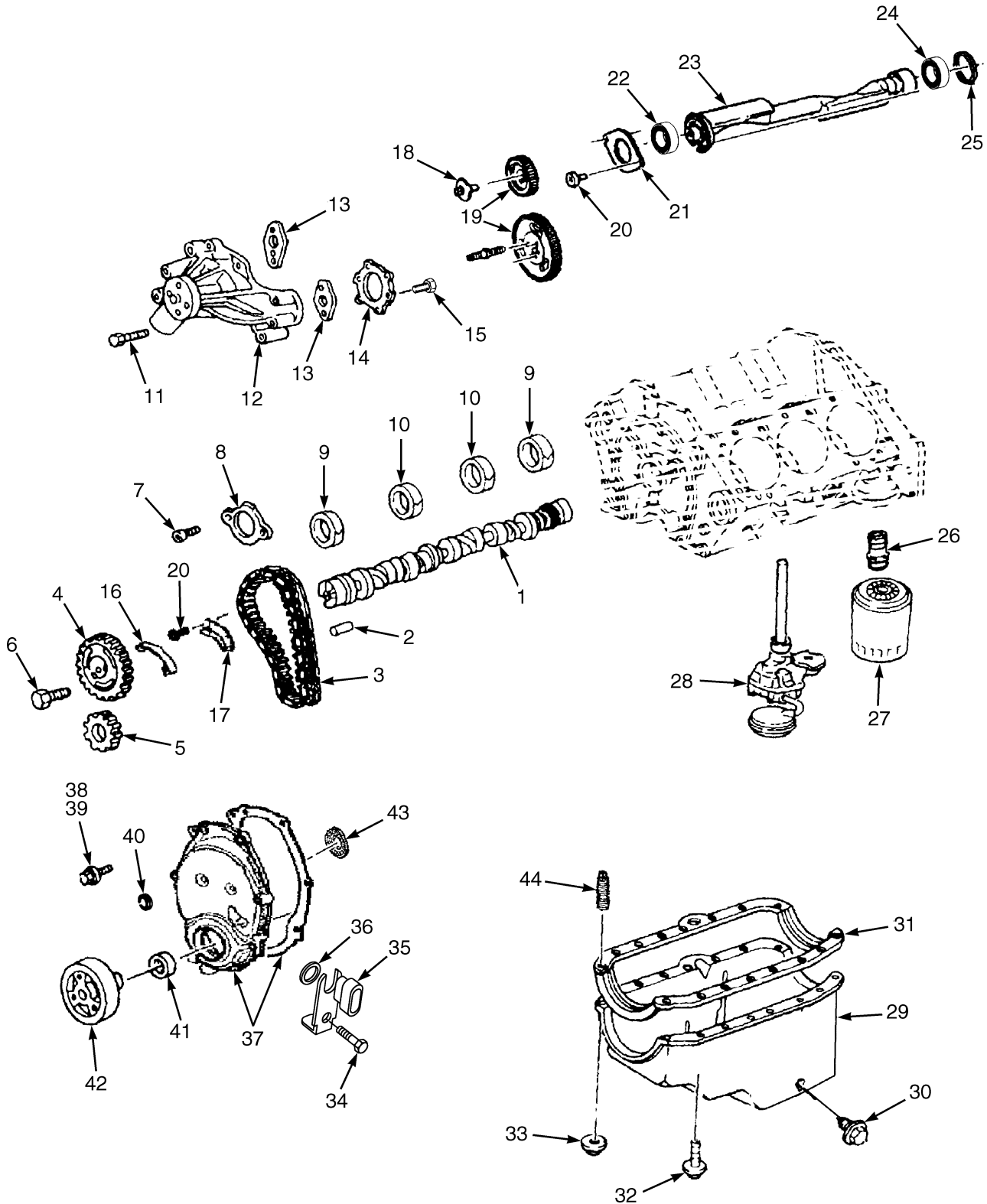


BP090466

**VALVE COVER AND INLET MANIFOLD
GM 4.3L LPG**

ITEM	PART NO.	DESCRIPTION	QTY
	4615531	Engine Assy-LPG	1
	4615533	Engine Assy-LPG (Heavy Duty)	1
1	1597705	Cover (LH)	1
2	1389102	Cover (RH)	1
3	1552141	Filler Neck	1
3	1683749	Cap	1
4	379407	Fitting	1
5	1374288	Grommet	3
6	4040268	Fitting	1
7	1331341	Plug	1
8	4040255	Fitting	1
9	1389093	Bolt	8
10	1374289	Bolt	6
11	1383904	Grommet	6
12	1627349	Intake Manifold	1
13	1386187	Kit-Gasket (The kit includes two intake manifold gaskets)	1
14	4019128	Clamp	2
15	1460332	Hose Assy (Water Pump Bypass)	1
16	1377793	Bolt (Medium)	4
17	1377794	Bolt (Short)	12
18	1377792	Bolt (Long)	10
19	1374293	Gasket	2
20	1653888	Cylinder Head (Standard) (☞ Figure 3-17).....	1
20	4017128	Kit-Service (Head-LPG) (Heavy Duty)	1
21	1386189	Push Rod	12
22	1386190	Cylinder Head Gasket	2
23	1339963	Bolt	2
24	1389050	Guide	2
25	1386188	Valve Lifter	12
26	1671271	Dipstick Tube	1
27	1676923	Dipstick	1
28	133696	Clamp	1

CAMSHAFT AND OIL PAN (FIGURE 3-20) GM 4.3L LPG



BP090467

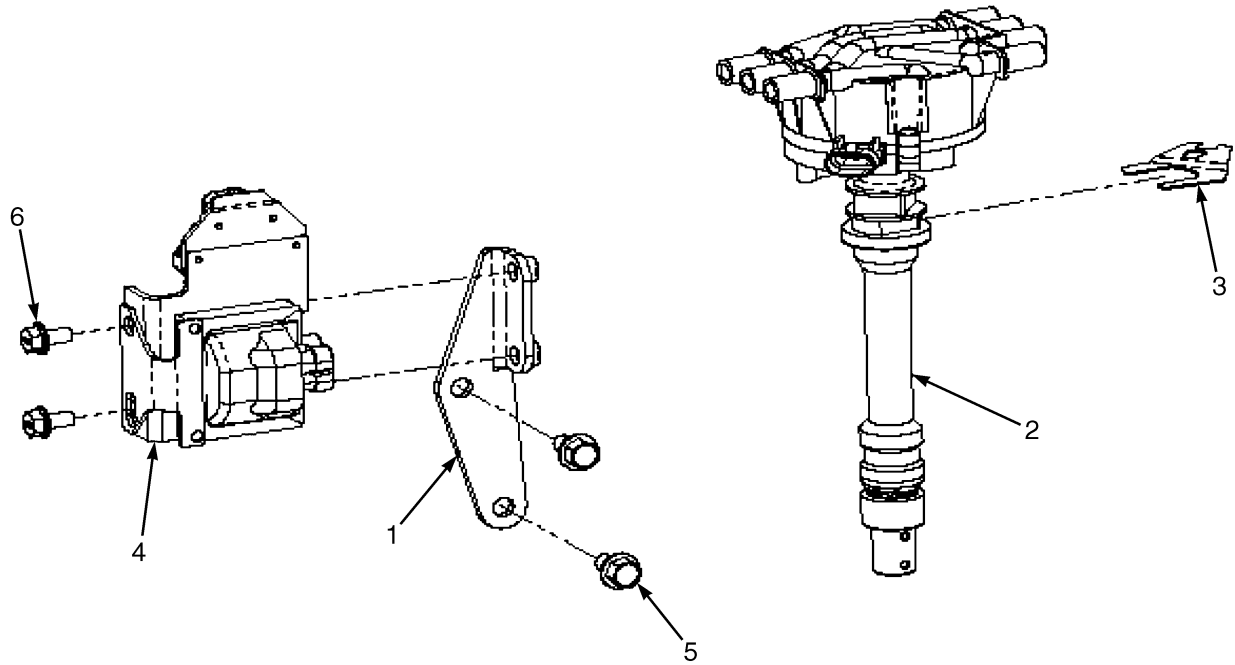
**CAMSHAFT AND OIL PAN
GM 4.3L LPG**

ITEM	PART NO.	DESCRIPTION	QTY
	4615531	Engine Assy-LPG	1
	4615533	Engine Assy-LPG (Heavy Duty)	1
1	1627196	Camshaft	1
2	1374297	Pin	1
3	1683675	Kit-Repair Cable Chain	1
3	Timing Chain	1
4	Sprocket	1
5	Sprocket	1
6	1374301	Bolt	3
7	1374299	Bolt	2
8	1374298	Retainer	1
9	1454955		
	4128271	Bearing	2
10	1454957	Bearing (2.000)	2
11	1383257	Bolt	4
12	4040276	Water Pump	1
13	263828	Gasket	2
14	1460322	Gasket	1
15	1677876	Bolt	10
16	1654481	Shoe (Tensioner)	1
17	1654480	Bracket	1
18	1374317	Bolt	6
19	1374315	Kit-Gear	1
20	1339963	Bolt	3
21	1374326	Retainer	1
22	1451321	Bearing	1
23	1377107	Shaft	1
24	1451321	Bearing	1
25	1374313	Plug	2
26	375587	Fitting	1
27	1320000	Oil Filter	1
28	1386176	Engine Oil Pump (☞Figure 3-22).....	1
29	1683746	Oil Pan	1
30	1460757	Screw	1
30	1460758	Gasket	1
31	1683744	Gasket	1
32	1386183	Bolt	10
33	1360178	Nut	1
34	1514965	Bolt	1
35	1683747	Sensor (Crankshaft Position)	1
36	1514964	O-Ring	1
37	1683720	Engine Cover (Front Cover)	1
37	1683722	Gasket (Engine Front Cover)	1
38	1386179	Bolt	4
39	1377103	Bolt	2
40	1389092	Grommet	6
41	1690267	Oil Seal	1
42	1627199	Damper	1
43	1514962	Ring (Crankshaft Position Sensor)	1

**CAMSHAFT AND OIL PAN
GM 4.3L LPG**

ITEM	PART NO.	DESCRIPTION	QTY
44	388364	Stud (Oil Pan)	1

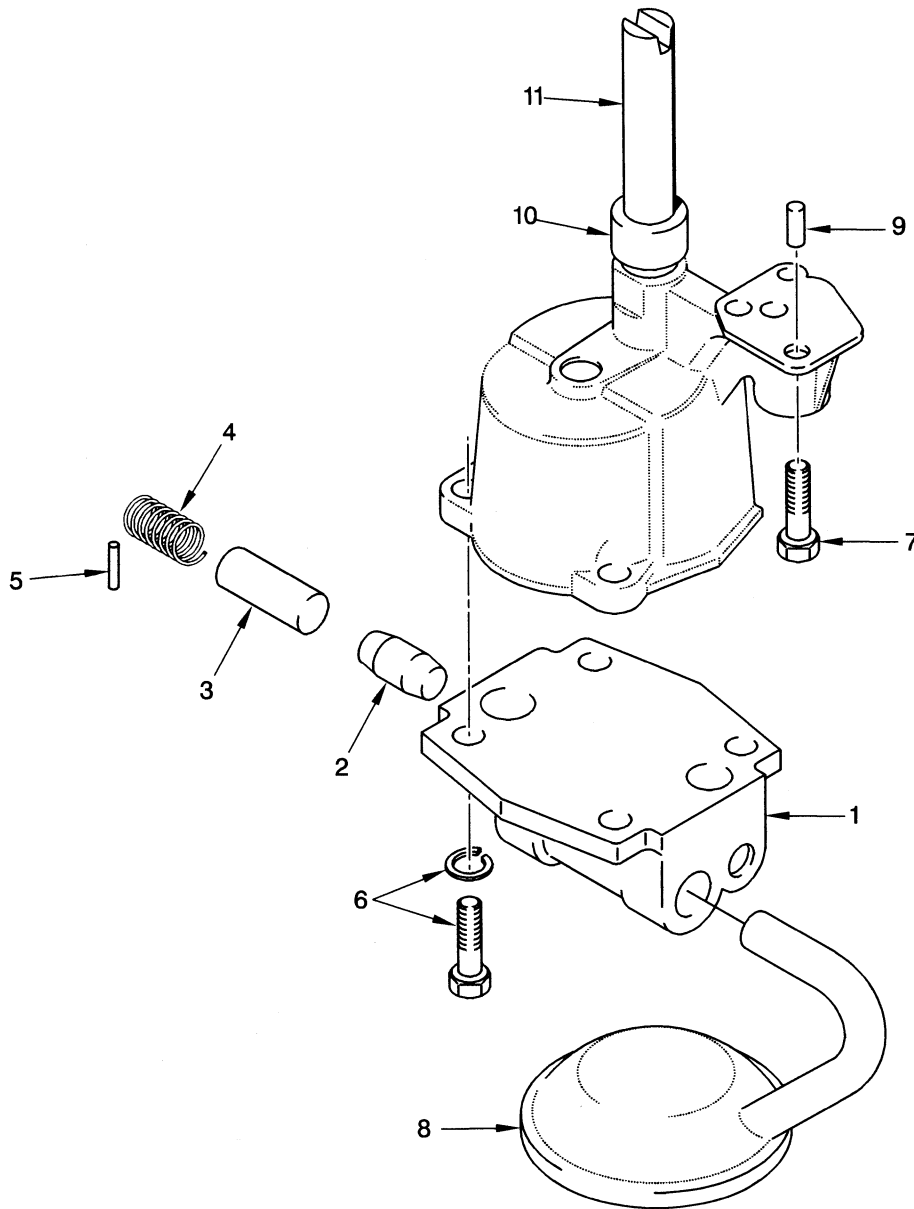
DISTRIBUTOR AND COIL (FIGURE 3-21)
GM 4.3L LPG



BP090462

ITEM	PART NO.	DESCRIPTION	QTY
1	4040252	Bracket	1
2	1559695	Distributor Assembly (☞ Figure 5-17).....	1
3	1569750	Yoke (Distributor)	1
4	4019058	Ignition Coil	1
5	162572	Capscrew	2
6	4109993		
	1527879	Capscrew	2

OIL PUMP (FIGURE 3-22) GM 4.3L LPG



HP090044

**OIL PUMP
GM 4.3L LPG**

ITEM	PART NO.	DESCRIPTION	QTY
	4615531	Engine Assy-LPG (PSI Series)	1
	4615533	Engine Assy-LPG (Heavy Duty) (PSI Series)	1
	1386176	Engine Oil Pump	1
1	1374319	Cover	1
2	1338223	Stop	1
3	268573	Regulator Valve	1
4	1374320	Spring	1
5	1330453	Pin	1
6	1333541	Kit-Screw	2
7	388306	Bolt	1
8	1386177	Screen	1
9	1450941	Pin	2
10	263795	Retainer	1
11	263794	Shaft	1

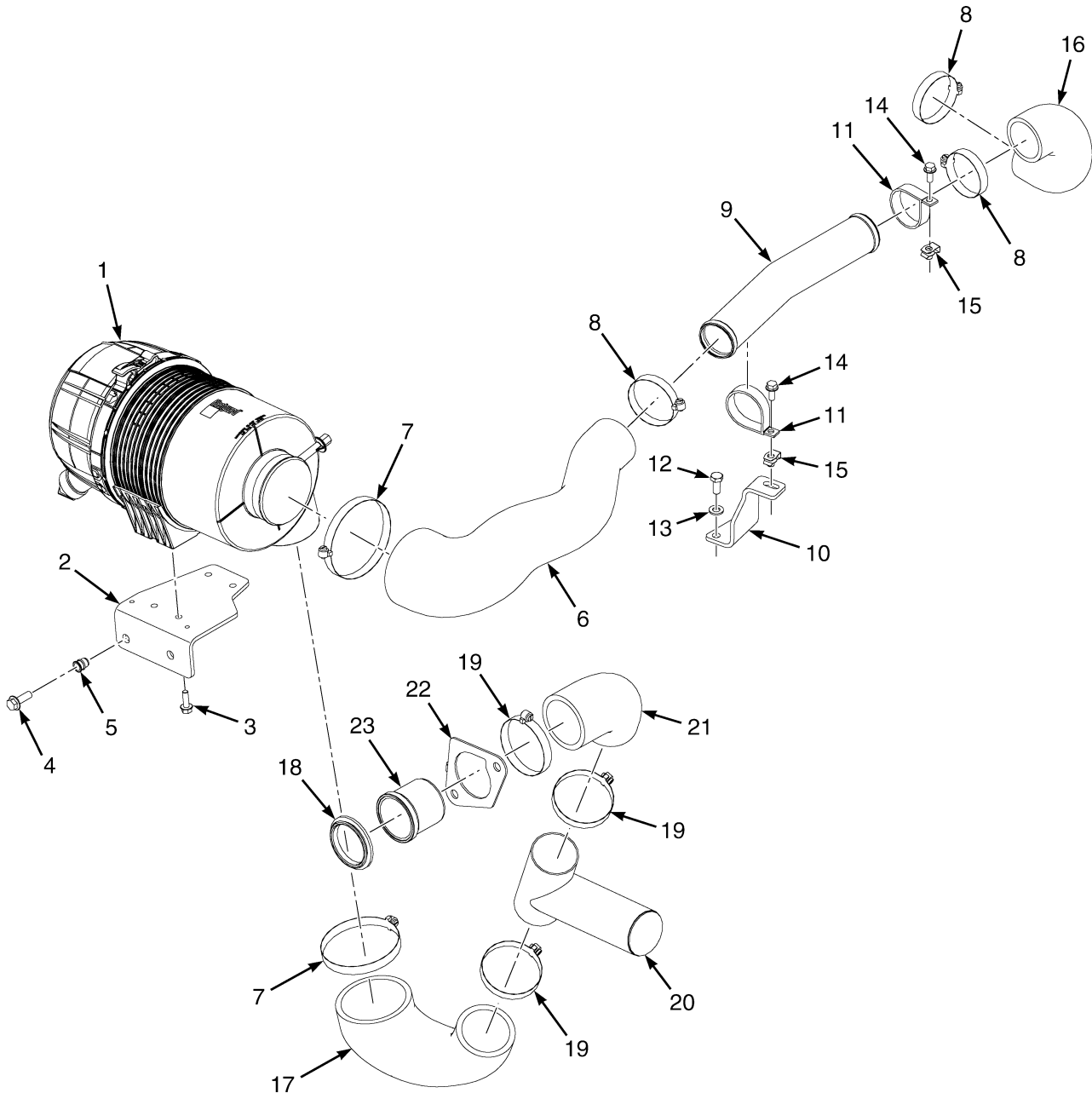
4

FUEL SYSTEM

**SECTION 4
FUEL SYSTEM**

DESCRIPTION	PAGE
AIR CLEANER	
GM 4.3L, LPG	4-16
AIR FILTER	4-18
AIR INTAKE	
KUBOTA DIESEL - 3.6L (S/N S005B01802L →)	4-4
KUBOTA DIESEL - 3.8L	4-6
KUBOTA DIESEL (3.6L) (→ S/N S005B01801L)	4-2
COOLANT HOSES	
GM 4.3L LPG WITH CAB	4-25
E-THROTTLE LINKAGE	
KUBOTA 3.6L DIESEL	4-52
FUEL CAP	
DIESEL	4-12
FUEL SENDING UNIT	
KUBOTA 3.6L DIESEL	4-14
FUEL SYSTEM	
GM 4.3L - LPG (4/2014 →)	4-22
GM 4.3L LPG (→ 4/2014)	4-20
KUBOTA DIESEL - 3.8L	4-10
LPG BRACKET ASSEMBLY	
SWING OUT DROP DOWN WITH TWIN STEEL STRAPS (→ S/N S005B02164M)	4-32
SWING OUT DROP DOWN WITH TWIN STEEL STRAPS (S/N S005B02165M →)	4-36
SWING OUT WITH FABRIC STRAP	4-40
SWING OUT WITH TWIN STEEL STRAPS (→ S/N S005B02164M)	4-30
SWING OUT, DROP DOWN WITH FABRIC STRAP	4-42
LPG CONVERTER	
GM 4.3L LPG	4-28
LPG LOCK OFF	
GM 4.3L	4-29
LPG REGULATOR AND MIXER	
GM 4.3L	4-27
PRE-CLEANER AND MOUNT	
DIESEL	4-8
DIESEL ENGINE - WITH AIR CONDITIONING	4-9
THROTTLE BODY	
GM 4.3L LPG	4-26
THROTTLE CABLE ASSEMBLY	
KUBOTA 3.6L DIESEL	4-50
THROTTLE PEDAL ASSEMBLY AND ATTACHING PARTS	
MONOTROL PEDAL	4-48
STANDARD PEDAL	4-46

AIR INTAKE (FIGURE 4-1) KUBOTA DIESEL (3.6L) (→ S/N S005B01801L)

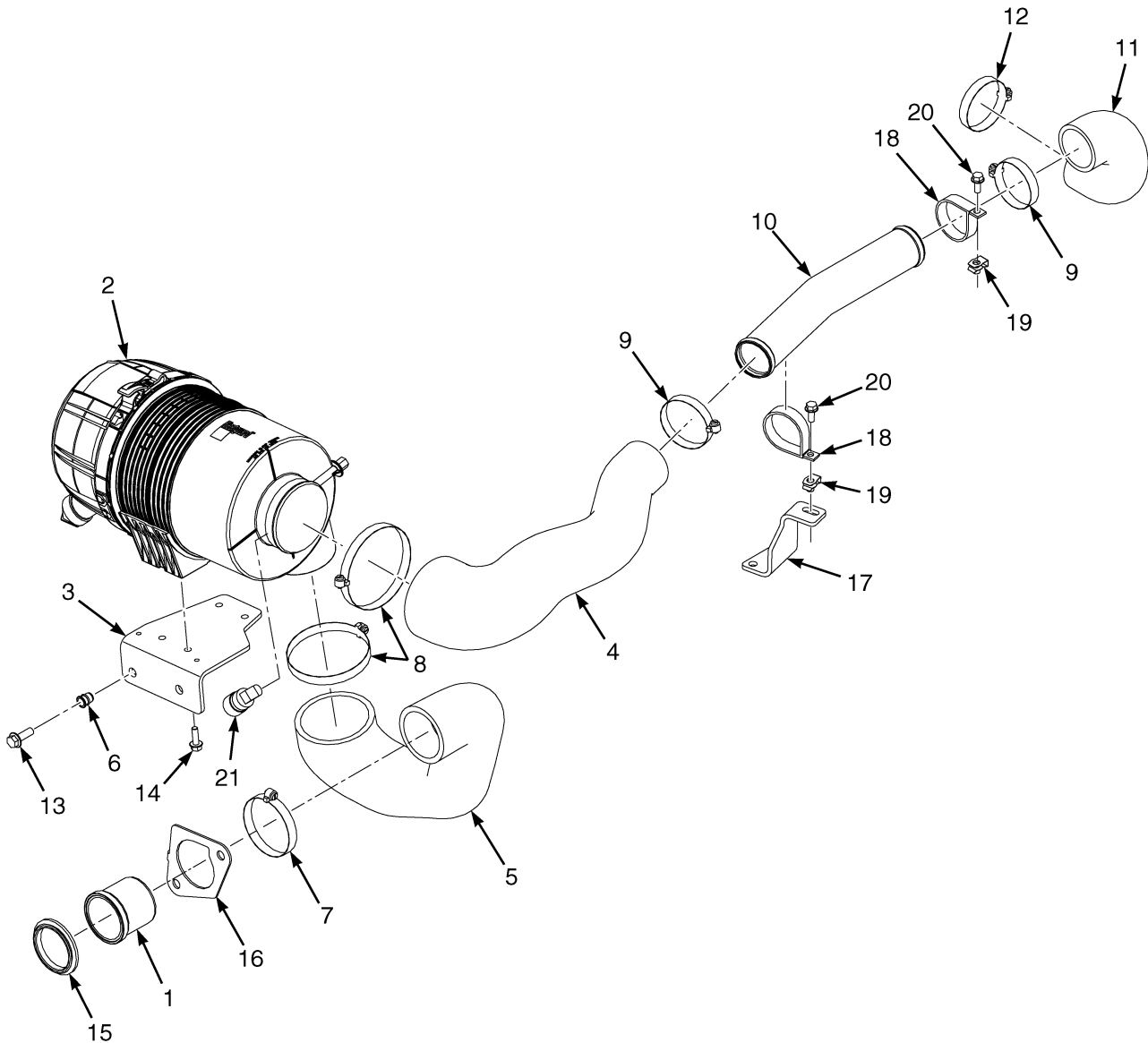


BP130369

AIR INTAKE
KUBOTA DIESEL (3.6L) (→ S/N S005B01801L)

ITEM	PART NO.	DESCRIPTION	QTY
1	2098998	Air Filter	1
1	2103627	Filter Element	1
1	1689294	Kit-Cover	1
1	1703650	Plug	1
2	4032745	Bracket	1
3	1510113	Capscrew	4
4	1527884	Capscrew	2
5	1530244	Insert	2
6	4617918	Hose (Clean Air)	1
7	227220	Clamp	2
8	1394008	Hose Clamp	3
9	4614144	Tube	1
10	4045100	Bracket	1
11	176453	Clamp	2
12	4616151	Capscrew	2
13	296420	Washer	2
14	1527880	Capscrew	2
15	1398062	Nut (Fold Over)	2
16	4615967	Hose (Clean Air)	1
17	4620404	Hose	1
18	1502079	Grommet	1
19	115696	Hose Clamp	3
20	4620403	Silencer	1
21	4620405	Hose	1
22	1650184	Retainer	1
23	1664489	Adapter	1

AIR INTAKE (FIGURE 4-2) KUBOTA DIESEL — 3.6L (S/N S005B01802L →)



BP130400

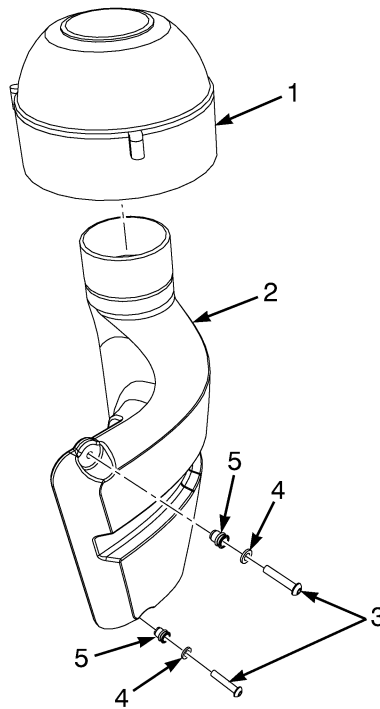
AIR INTAKE
KUBOTA DIESEL – 3.6L (S/N S005B01802L →)

ITEM	PART NO.	DESCRIPTION	QTY
1	1664489	Adapter (Air Intake)	1
2	4623007	Air Filter	1
2	4068074	Filter Element (Primary)	1
2	4068075	Filter Element (Safety)	1
3	4051408	Bracket (Air Cleaner)	1
4	4628377	Hose (Clean Air)	1
5	4624325	Hose (Dirty Air)	1
6	1530244	Insert	2
7	115696	Hose Clamp	1
8	78286	Clamp	2
9	1394008	Hose Clamp	2
10	4614144	Tube (Air Intake)	1
11	4615967	Hose (Clean Air)	1
12	119236	Clamp	1
13	1527884	Capscrew	2
14	4109993		
	1527879	Capscrew	4
15	1502079	Grommet	1
16	1650184	Retainer	1
17	4045100	Bracket	1
18	176453	Clamp	2
19	1398062	Nut (Fold Over)	2
20	1527880	Capscrew	2
21	165991	Indicator (Restriction)	1
21	16151	Fitting	1

**AIR INTAKE
KUBOTA DIESEL – 3.8L**

ITEM	PART NO.	DESCRIPTION	QTY
1	4626441	Air Filter (Assembly)	1
1	4626440	Air Filter	1
1	141331	Cap	1
1	374923	Valve	1
1	4072914	Cover	1
1	4068074	Filter Element (Primary)	1
1	4068075	Filter Element (Safety)	1
1	4072915	Body	1
1	4072916	Data Plate	1
1	4072917	U.L. Plate	1
2	302019	Screw	2
3	4055658	Sensor (Mass Airflow)	1
4	4051408	Bracket (Air Cleaner)	1
5	4109993		
	1527879	Capscrew	4
6	1527884	Capscrew	2
7	1530244	Insert	2
8	78286	Clamp	2
9	1394008	Hose Clamp	3
10	4614144	Tube (Air Intake)	1
11	4062311	Bracket	1
12	176453	Clamp	2
13	4616151	Capscrew	2
14	296420	Washer	2
15	1527880	Capscrew	2
16	1398062	Nut (Fold Over)	2
17	4614145	Hose (Clean Air)	1
18	4628377	Hose (Clean Air)	1
19	1502079	Grommet	1
20	115696	Hose Clamp	1
21	4624325	Hose (Dirty Air)	1
22	1650184	Retainer	1
23	1664489	Adapter	1
24	165991	Indicator (Restriction)	1
24	16151	Fitting	1

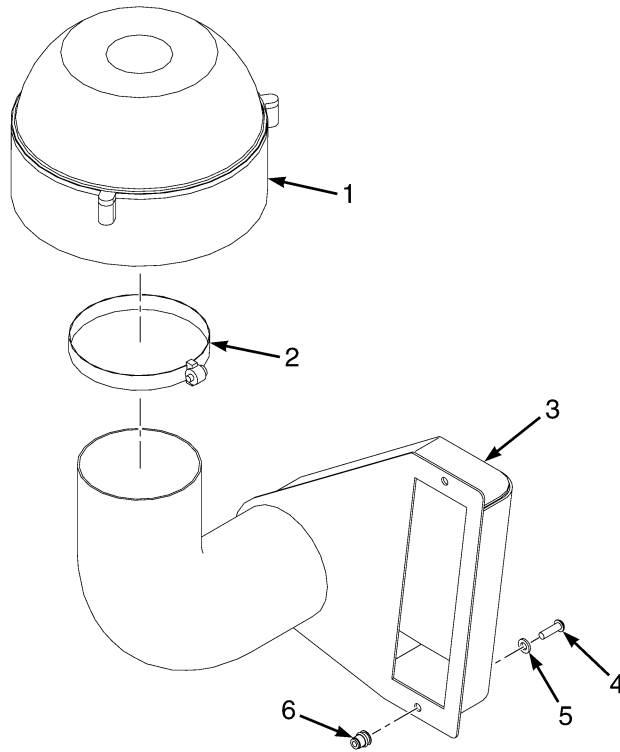
PRE-CLEANER AND MOUNT (FIGURE 4-4) DIESEL



BP130014

ITEM	PART NO.	DESCRIPTION	QTY
1	2102887	Pre-Cleaner	1
2	1677385	Duct	1
3	2071261	Capscrew	2
4	1506738	Washer	2
5	1531558	Insert	2

**PRE-CLEANER AND MOUNT (FIGURE 4-5)
DIESEL ENGINE — WITH AIR CONDITIONING**



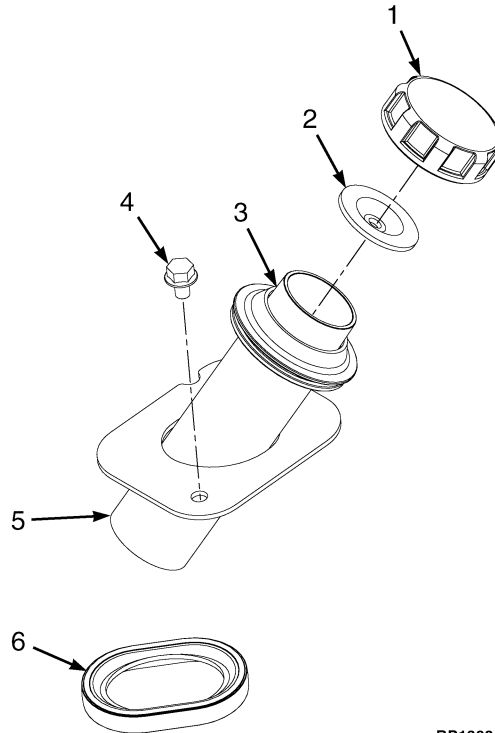
BP130327

ITEM	PART NO.	DESCRIPTION	QTY
1	2102887	Pre-Cleaner	1
2	1678215	Clamp	1
3	4019931	Air Duct	1
4	353144	Capscrew	2
5	1506738	Washer	2
6	1531558	Insert	2

FUEL SYSTEM
KUBOTA DIESEL – 3.8L

ITEM	PART NO.	DESCRIPTION	QTY
1	4054055	Fuel Sender	1
2	192306	Fitting	2
3	17314	Fitting	1
4	63163	Fitting	1
5	12855	Fitting	2
6	1584171	Cover	1
7	1371159	Fuel Sender	1
8	1571662	Tube	1
9	1638500	Tube	1
10	16134	Fitting	2
11	1527881	Capscrew	2
12	353000	O-Ring	2
13	1528893	Quad Ring	1
14	4620888	Hose	1
15	1527876	Capscrew	3
16	168718	Clamp	14
16	166857	Clamp (Optional)	14
17	209266	Clamp	1
18	1566420	Nut (Foldover)	3
19	4024527	Water Separator	1
19	4047982	Water Separator Mounting Head	1
19	4047983	Sensor Drain	1
19	4612789	Water Separator Fuel Filter	1
20	1527883	Capscrew	2
21	4109993
	1527879	Capscrew	3
22	4026040	Fitting	2
23	1579809
	222443	Fitting	2
24	4619264	Hose	1
25	4025710	Bracket	1
26	4032744	Lift Pump	1
27	124359	Clamp	1
28	1527880	Capscrew	2
28	4109993
	1527879	Capscrew (Optional)	1
29	1480237	Nut	3
30	4617767	Fuel Filter	1
31	4620889	Hose	1
32	1316496	Clamp	1
33	274334	Hose	1
34	4619263	Hose	1
35	1378553	Hose	1
36	4032490	T-Fitting	1
37	225465	Hose	1
38	1543842	Clamp	1
39	1543691	Clamp (Swivel)	1
40	1543698	Clamp (Swivel)	2
41	1606544	Clamp (Swivel)	1
42	1502054	Clamp	1

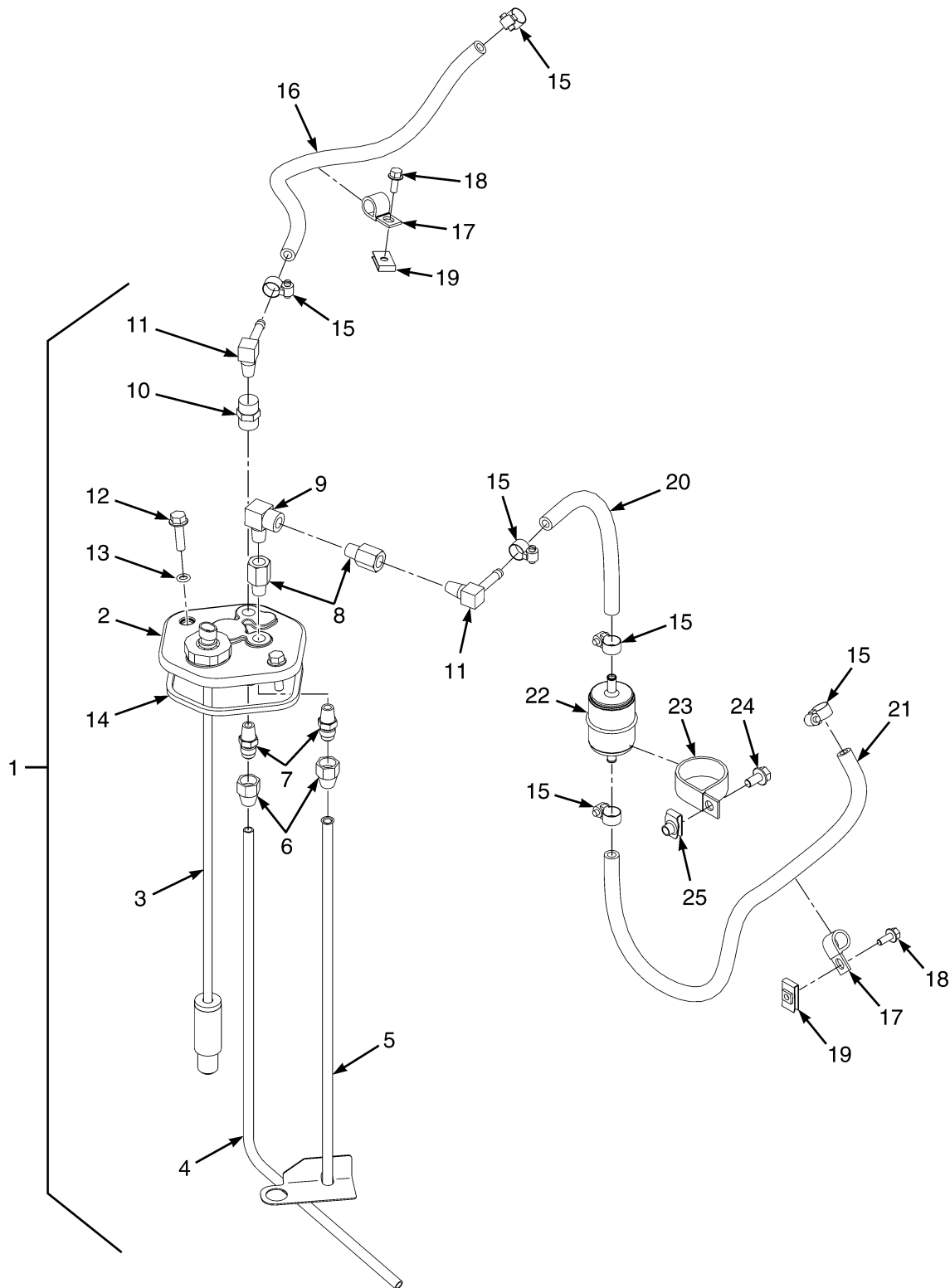
FUEL CAP (FIGURE 4-7) DIESEL



BP130349

ITEM	PART NO.	DESCRIPTION	QTY
1	2081840	Fuel Cap	1
2	2021683	Gasket	1
3	1528608	Grommet	1
4	1529366	Capscrew	2
5	1564392	Pipe (Fill)	1
5	1514295	Pipe	1
6	1593391	Seal	1

FUEL SENDING UNIT (FIGURE 4-8) KUBOTA 3.6L DIESEL

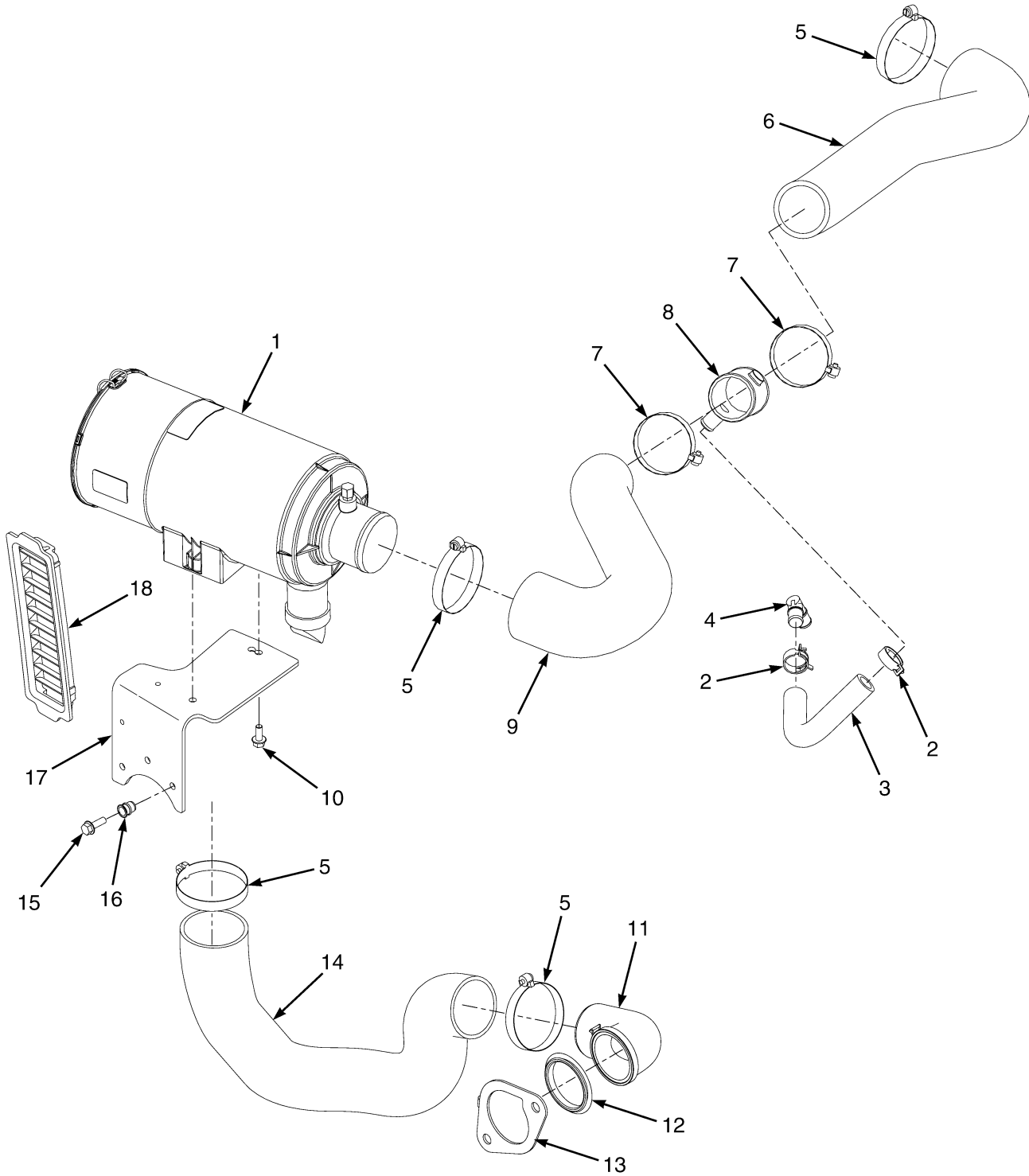


BP130404

**FUEL SENDING UNIT
KUBOTA 3.6L DIESEL**

ITEM	PART NO.	DESCRIPTION	QTY
1	4054055	Fuel Sender	1
2	1584171	Cover	1
3	1371159	Fuel Sender	1
4	1638500	Tube	1
5	1571662	Tube	1
6	16121	Fitting	2
7	16134	Fitting	2
8	12855	Fitting	2
9	17314	Fitting	1
10	63163	Fitting	1
11	192306	Fitting	2
12	1527881	Capscrew	2
13	353000	O-Ring	2
14	1528893	Quad Ring	1
15	168718	Clamp	6
15	166857	Clamp (Optional)	6
16	2063255	Hose	1
17	209266	Clamp	2
18	1527876	Capscrew	2
19	1566420	Nut (Foldover)	2
20	4620889	Hose	1
21	187129	Hose	1
22	4617767	Fuel Filter	1
23	1316496	Clamp	1
24	4109993		
	1527879	Capscrew	1
25	1480237	Nut	1

AIR CLEANER (FIGURE 4-9) GM 4.3L, LPG



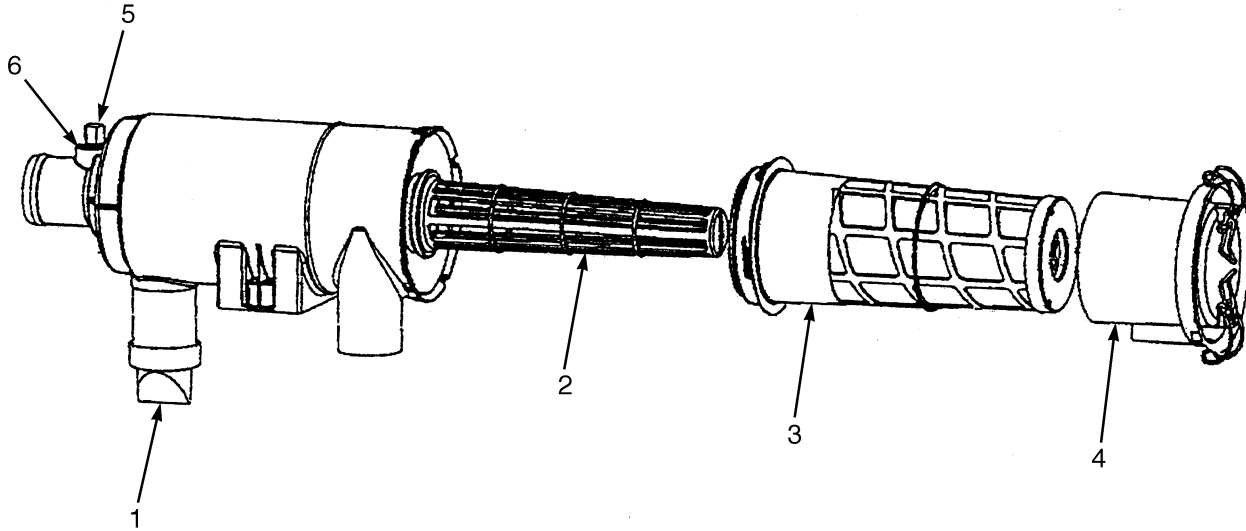
BP130332

AIR CLEANER
GM 4.3L, LPG

ITEM	PART NO.	DESCRIPTION	QTY
1	4613023	Air Filter (☞ Figure 4-10).....	1
2	1502009	Hose Clamp	2
3	4616201	Hose	1
4	379407	Fitting	1
5	115696	Hose Clamp	4
6	4615352	Hose (Clean Air)	1
7	112989	Hose Clamp	2
8	1661665	Coupler (PCV)	1
9	4615353	Hose (Clean Air)	1
10	4109993		
	1527879	Capscrew	2
11	1581438	Elbow (Air Intake)	1
12	1502079	Grommet	1
13	1650184	Retainer (Elbow)	1
14	2076637	Hose (Dirty Air)	1
15	1510113	Capscrew	3
16	1530243	Insert	3
17	1666746	Bracket (Air Cleaner)	1
18	2067476	Grill	1
	a 1543842	Clamp	1
	a 1502061	Clamp	1

FOOTNOTES:**a** Not Illustrated

AIR FILTER (FIGURE 4-10)



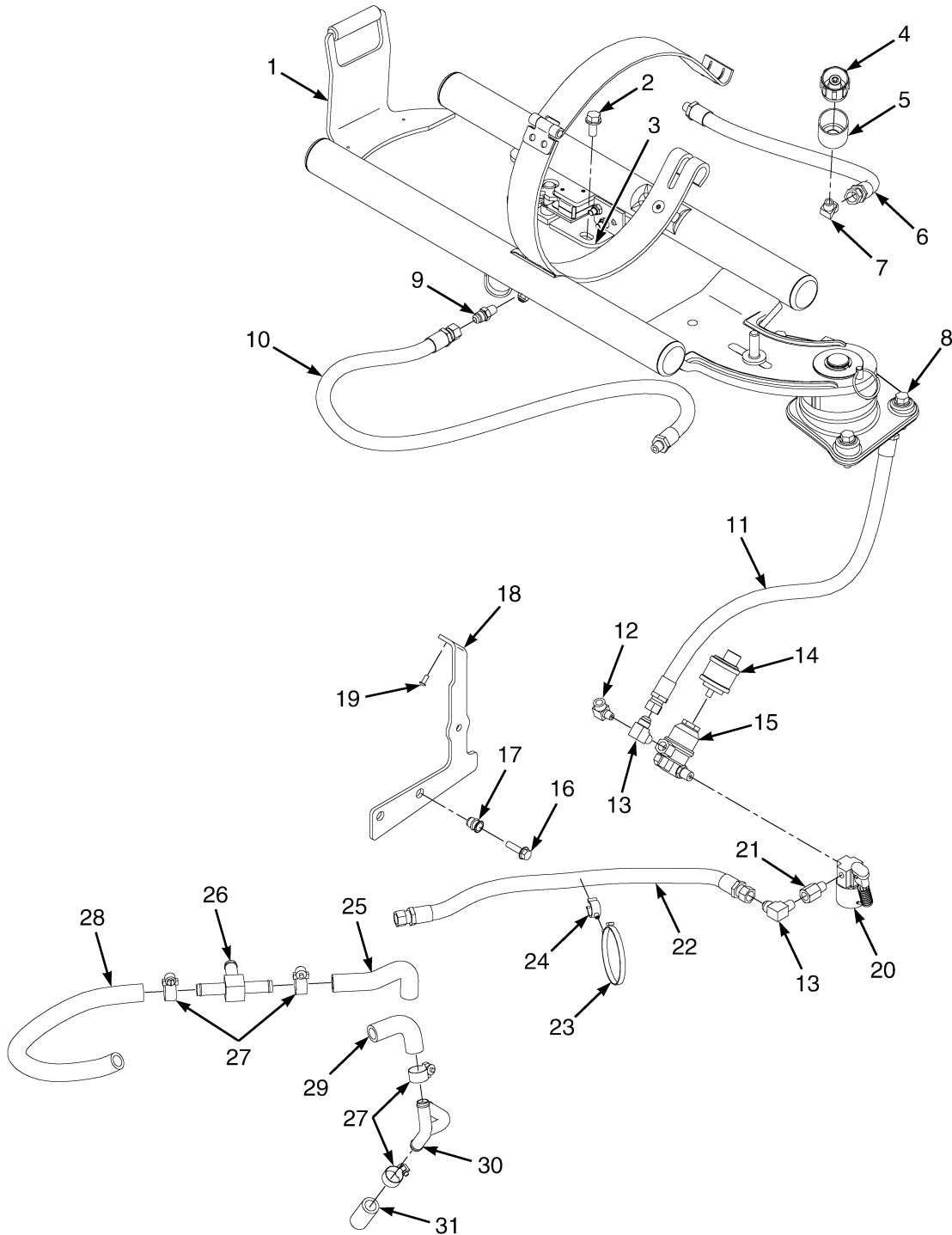
BP130113

ITEM	PART NO.	DESCRIPTION	QTY
	4613023	Air Filter	1
1	374923	Valve	1
2	1620145	Inner Liner Assy (Cage)	1
3	1620142	Filter Element	1
4	1688547	Cover	1
5	141331	Cap	1
6	4030497	Connector (Pipe Nipple)	1
	a 2095889	Label (Air Filter Installation)	1

FOOTNOTES:

a Not Illustrated

FUEL SYSTEM (FIGURE 4-11) GM 4.3L LPG (→ 4/2014)



BP130330

FUEL SYSTEM
GM 4.3L LPG (→ 4/2014)

ITEM	PART NO.	DESCRIPTION	QTY
1	4068017	LPG Tank Bracket (Swing Out with Twin Steel Straps) (☞ Figure 4-18).....	1
1	4068018	LPG Tank Bracket (Swing Out/Drop Down with Twin Steel Straps) (☞ Figure 4-19).....	1
1	4067507	LPG Tank Bracket (Swing Out with Fabric Strap) (☞ Figure 4-21).....	1
1	4067507	LPG Tank Bracket (Swing Out/Drop Down with Fabric Strap) (☞ Figure 4-22).....	1
2	1586013	Capscrew	3
3	1682752	Striker	1
4	97999	Fitting	1
5	2071517	Sleeve	1
6	4609648	Hose Assy	1
7	14358	Fitting	1
8	1581400	Capscrew	3
9	16134	Fitting	2
10	2072298	Hose Assy	1
11	2059895	Hose Assy	1
12	b 14349	Fitting (Pipe Plug)	1
12	c 16151	Fitting	1
13	14358	Fitting	2
14	1501970	Pressure Switch (Low Fuel)	1
15	2105803	Fuel Filter (LPG)	1
15	1689544	Kit-Filter Element	1
16	1527881	Capscrew	2
17	1530243	Insert	2
18	4044081	Bracket	1
19	296152	Capscrew	2
20	b 1662253	Sensor	1
21	12855	Fitting	1
22	4616993	Hose Assy	1
23	1502061	Clamp	1
24	1502059	Clamp (Swivel)	1
25	4615671	Hose	1
26	366000	Fitting	1
27	130845	Clamp	4
28	4615672	Hose	1
29	4615669	Hose	1
30	4615673	Tube	1
31	4615670	Hose	1
	ac 17350	Fitting	1
	a 1687376	Sealant	AR
	a 246108	Sealant	AR
	a 1687377	Activator	AR
	a 1688803	Shim	AR
	a 246108	Sealant	AR

FOOTNOTES:**a** Not Illustrated**b** With premium low fuel sensor**c** Without premium low fuel sensor

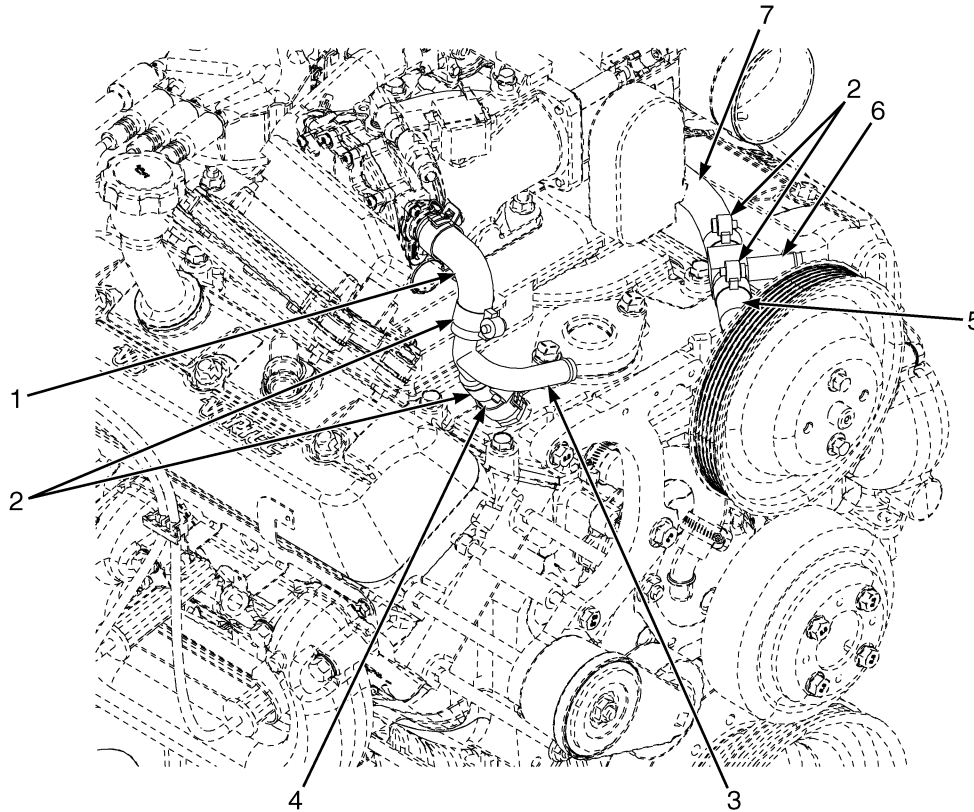
FUEL SYSTEM
GM 4.3L – LPG (4/2014 →)**KEY:****A: With Premium Low-Fuel Sensor****B: Without Premium Low-Fuel Sensor****C: Without Premium Low-Fuel Sensor (Optional)**

ITEM	PART NO.	DESCRIPTION	QTY		
			A	B	C
1	2070678	Hose Assy	1	1	..
1	4635130	Hose Assy	1
2	16863	Fitting	1	1	1
3	14349	Fitting (Pipe Plug)	1
3	16151	Fitting	1	1
4	4084522	Plate	1	1	1
5	2105803	Fuel Filter (LPG)	1	1	1
5	1689544	Kit-Filter Element	1	1	1
6	1527881	Capscrew	2	2	2
7	1530243	Insert	2	2	2
8	4084521	Bracket	1	1	1
9	296153	Capscrew	2	2	2
10	1662253	Sensor	1
10	17350	Fitting	1	1
11	4067505	LPG Tank Bracket (Swing Out) (Fabric Strap) (☞Figure 4-21).....	1	1	1
11	4067507	LPG Tank Bracket (Swing Out, Drop Down) (Fabric Strap) (☞Figure 4-22).....	1	1	1
11	4068017	LPG Tank Bracket (Swing Out) (Twin Steel Strap) (☞Figure 4-18).....	1	1	1
11	4068018	LPG Tank Bracket (Swing Out, Drop Down) (Twin Steel Strap) (☞Figure 4-19).....	1	1	1
12	4634401	Hose Assy	1
12	4635201	Hose Assy	1	1
13	1502061	Clamp	2	2	2
14	1502059	Clamp (Swivel)	2	2	2
15	a 4615671	Hose (Coolant)	1	1	1
16	a 366000	Fitting	1	1	1
17	a 130845	Clamp	4	4	4
18	a 4615672	Hose (Coolant)	1	1	1
18	a 275499	Conduit (Optional)	AR	AR	AR
19	a 4615669	Hose (Coolant)	1	1	1
20	a 4615673	Tube	1	1	1
21	a 4615670	Hose (Coolant)	1	1	1
22	LPG Converter	1	1	1
23	Lock Off (☞Figure 4-17).....	1	1	1
24	302398	Locknut	2
25	4103673	Plate	1
26	4103675	Plate	1
27	296153	Capscrew	2
	1687376	Sealant	AR	AR	AR
	246108	Sealant	AR	AR	AR

FOOTNOTES:

- a With Cab

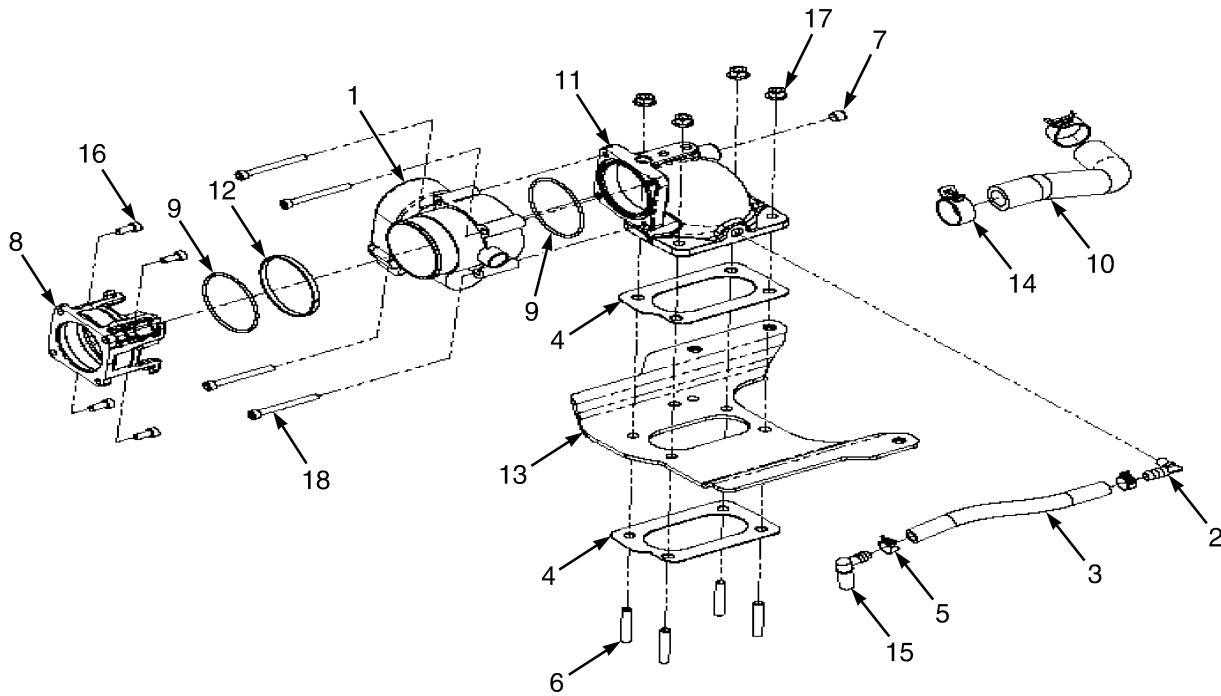
**COOLANT HOSES (FIGURE 4-13)
GM 4.3L LPG WITH CAB**



BP120850

ITEM	PART NO.	DESCRIPTION	QTY
1	4615669	Hose (Coolant)	1
2	130845	Clamp	4
3	4615673	Tube	1
4	4615670	Hose (Coolant)	1
5	4615671	Hose (Coolant)	1
6	366000	Fitting	1
7	4615672	Hose (Coolant)	1

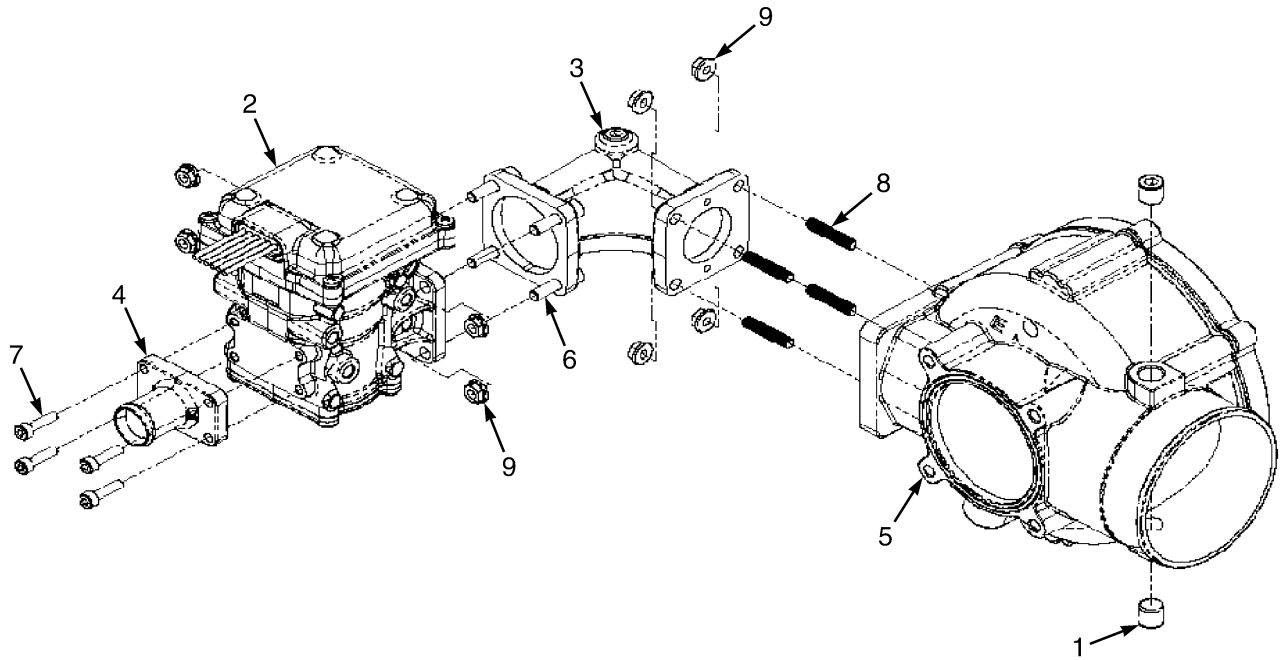
THROTTLE BODY (FIGURE 4-14) GM 4.3L LPG



BP130338

ITEM	PART NO.	DESCRIPTION	QTY
1	4019103	Throttle Body	1
2	4040263	Fitting	1
3	4040264	Hose	1
4	4040265	Gasket	2
5	4019090	Clamp	2
6	4019104	Stud	4
7	4019120	Plug	1
8	4019105	Adapter	1
9	4019106	O-Ring	2
10	4040250	Hose	1
11	4040266	Adapter	1
12	4019107	Spacer	1
13	4040267	Bracket	1
14	4019099	Clamp	2
15	4040268	Fitting	1
16	293774	Capscrew	4
17	191534	Nut	4
18	296003	Screw	4

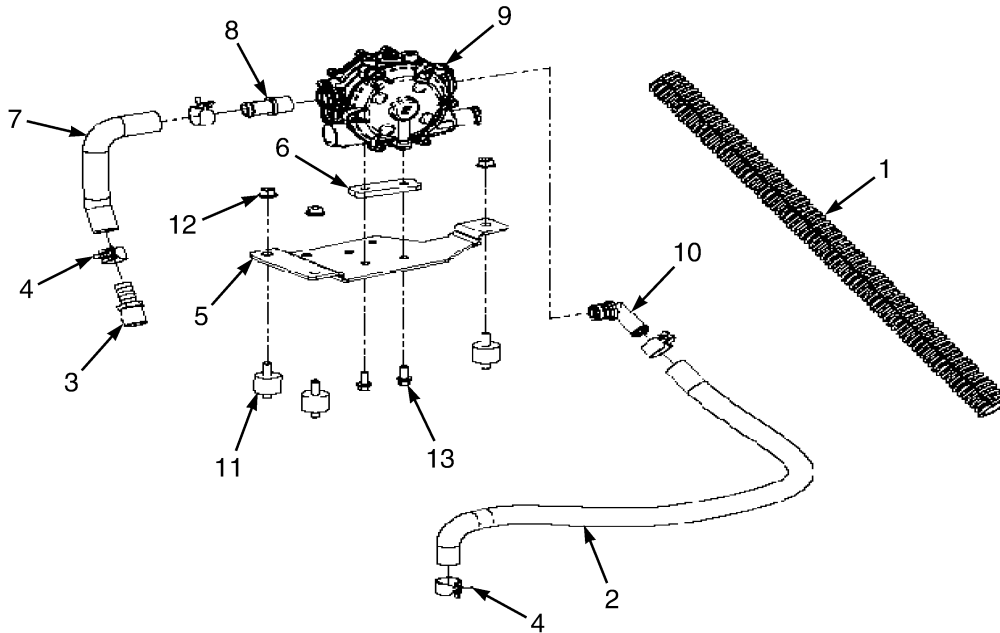
**LPG REGULATOR AND MIXER (FIGURE 4-15)
GM 4.3L**



BP130336

ITEM	PART NO.	DESCRIPTION	QTY
1	4019120	Plug	2
2	4019119	Regulator	1
3	4040270	Adapter	1
4	4019118	Fitting	1
5	4019117	Mixer (Mixer)	1
5	4051286	Kit-Repair	1
6	293744	Screw	4
7	292672	Capscrew	4
8	4019121	Stud	4
9	1565407	Nut	8

LPG CONVERTER (FIGURE 4-16) GM 4.3L LPG



BP130337

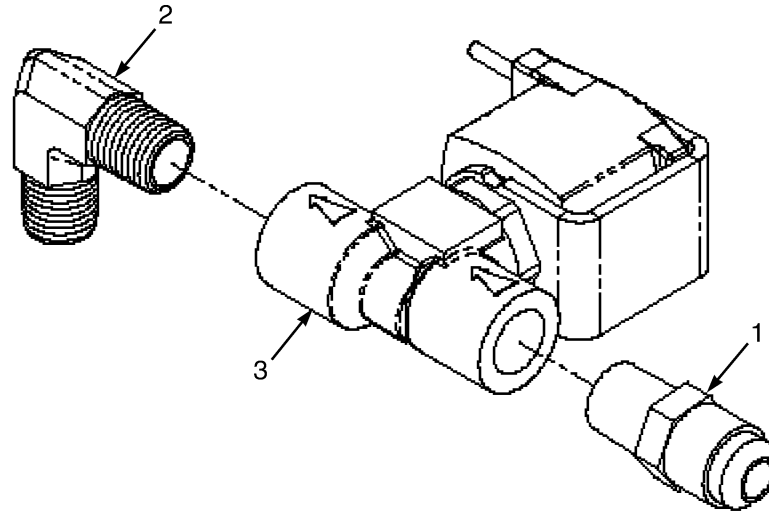
ITEM	PART NO.	DESCRIPTION	QTY
1	4040254	Conduit (20 in.)	AR
2	4019086	Hose	1
3	4040255	Fitting	1
4	4019092	Clamp	4
5	4040256	Bracket	1
6	4040257	Spacer	1
7	4040258	Hose	1
8	4040259	Fitting	1
9	4040260	Regulator	1
9	a 4040288	Kit-Regulator Repair	1
9	b 4148667	Kit-Regulator	1
10	4040261	Fitting	1
11	4040262	Isolator	3
12	1502543	Nut (Flange)	3
13	1527876	Capscrew	2

FOOTNOTES:

a → 10/2015

b 10/2015 →

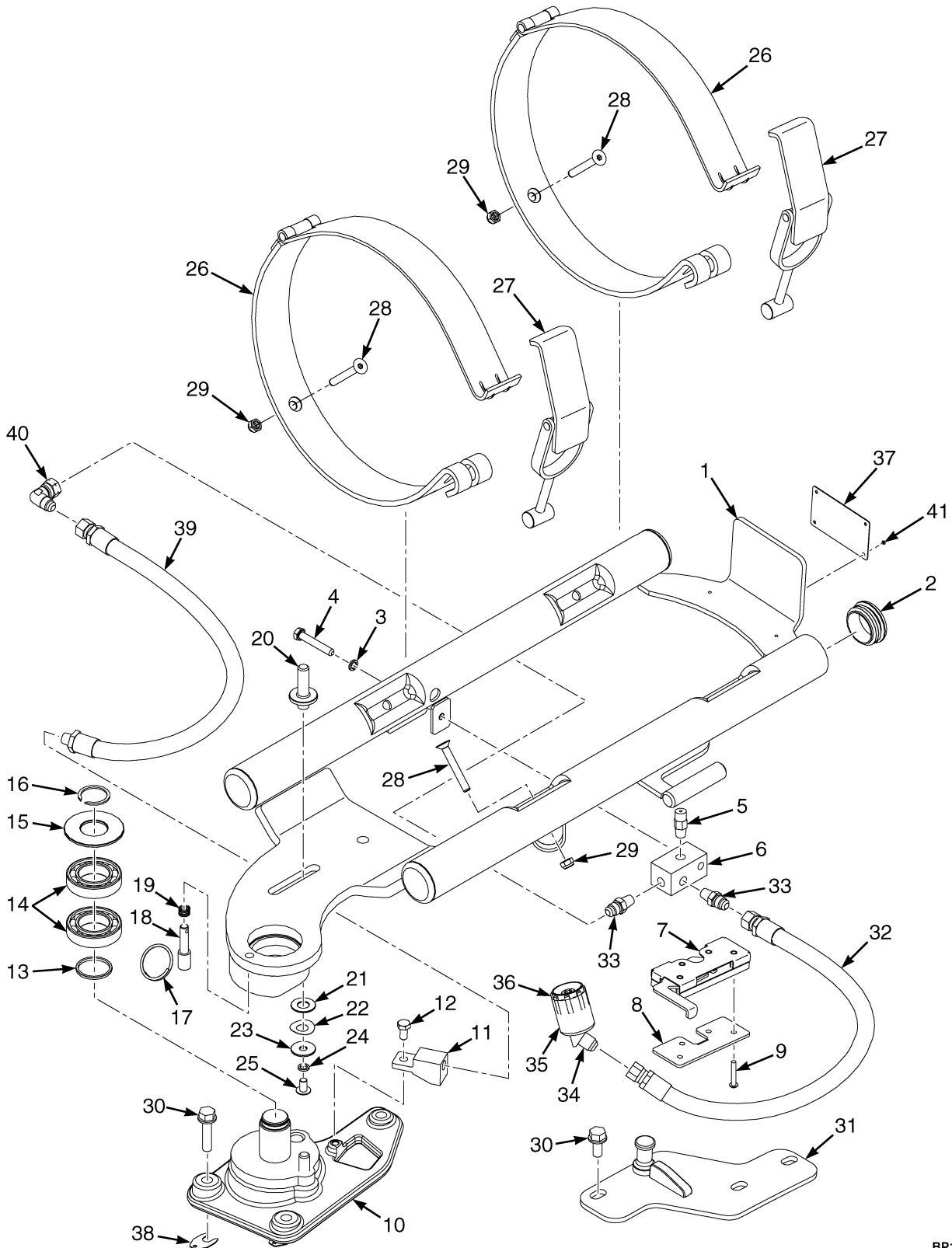
LPG LOCK OFF (FIGURE 4-17)
GM 4.3L



BP130339

ITEM	PART NO.	DESCRIPTION	QTY
1	4019018	Fitting	1
2	4019019	Fitting	1
3	4019020	Valve (Lock-Off)	1

LPG BRACKET ASSEMBLY (FIGURE 4-18) SWING OUT WITH TWIN STEEL STRAPS (→ S/N S005B02164M)



BP130415

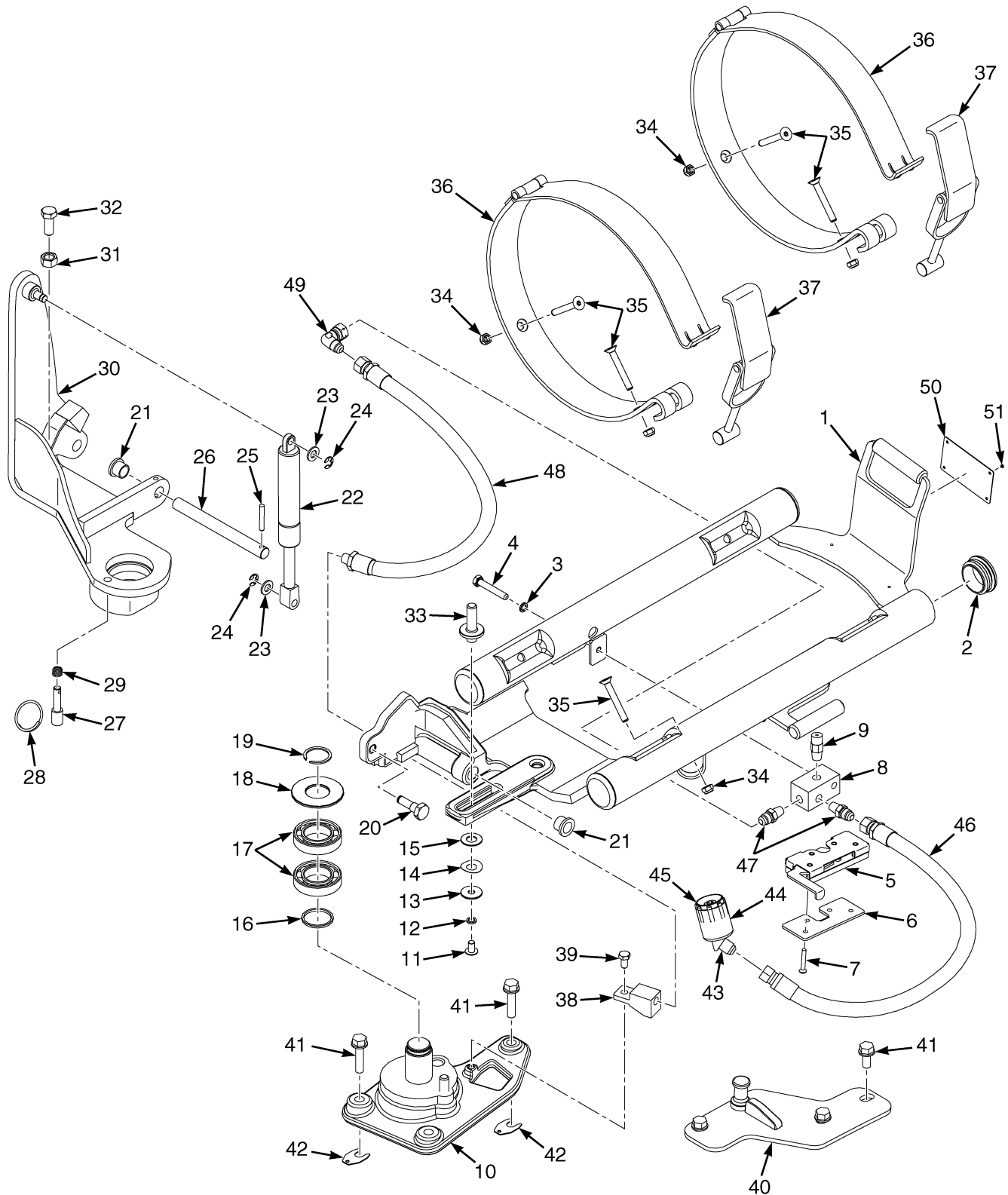
LPG BRACKET ASSEMBLY
SWING OUT WITH TWIN STEEL STRAPS (→ S/N S005B02164M)

ITEM	PART NO.	DESCRIPTION	QTY
1	4068017	LPG Tank Bracket (Swing Out)	1
2	1398099	Plug	4
3	1581898	Washer	1
4	1581583	Capscrew	1
5	101809	Relief Valve	1
6	4048941	Fitting (LPG Bulkhead Rear)	1
7	1656325	Latch	1
8	1649565	Plate	1
9	4054932	Capscrew	4
10	1584083	Bracket Wldmt	1
10	1584094	Base	1
11	1525451	Fitting	1
12	1581579	Capscrew	1
13	1568853	Thrust Washer	1
14	184451	Ball Bearing	2
15	1568839	Washer (Pivot)	1
16	34507	Snap Ring	1
17	1534672	Ring	1
18	1615956	Pin	1
19	1528903	Spring	1
20	4029506	Pin (Alignment)	1
21	4029538	Washer	1
22	4029920	Washer	1
23	4032291	Washer	1
24	4032292	Spacer	2
25	4031146	Capscrew	1
26	1613749	Strap	2
27	1613755	Latch	2
28	1581733	Capscrew	4
29	1581739	Nut	4
30	1586013	Capscrew	6
31	1682752	Striker	1
32	4619095	Hose Assy	1
33	16134	Fitting	2
34	16863	Fitting	1
35	2071517	Sleeve	1
36	97999	Fitting	1
37	Data Plate	1
38	1688803	Shim	3
39	4619094	Hose Assy	1
40	4051434	Fitting (Elbow)	1
41	340044	Gripnail	4
	a 246108	Sealant	AR
	a 1687376	Sealant (Alternate Part)	AR
	a 1687377	Activator (Pipe Thread)	AR

FOOTNOTES:

a Not Illustrated

LPG BRACKET ASSEMBLY (FIGURE 4-19) SWING OUT DROP DOWN WITH TWIN STEEL STRAPS (→ S/N S005B02164M)



BP130416

LPG BRACKET ASSEMBLY
SWING OUT DROP DOWN WITH TWIN STEEL STRAPS (→ S/N S005B02164M)

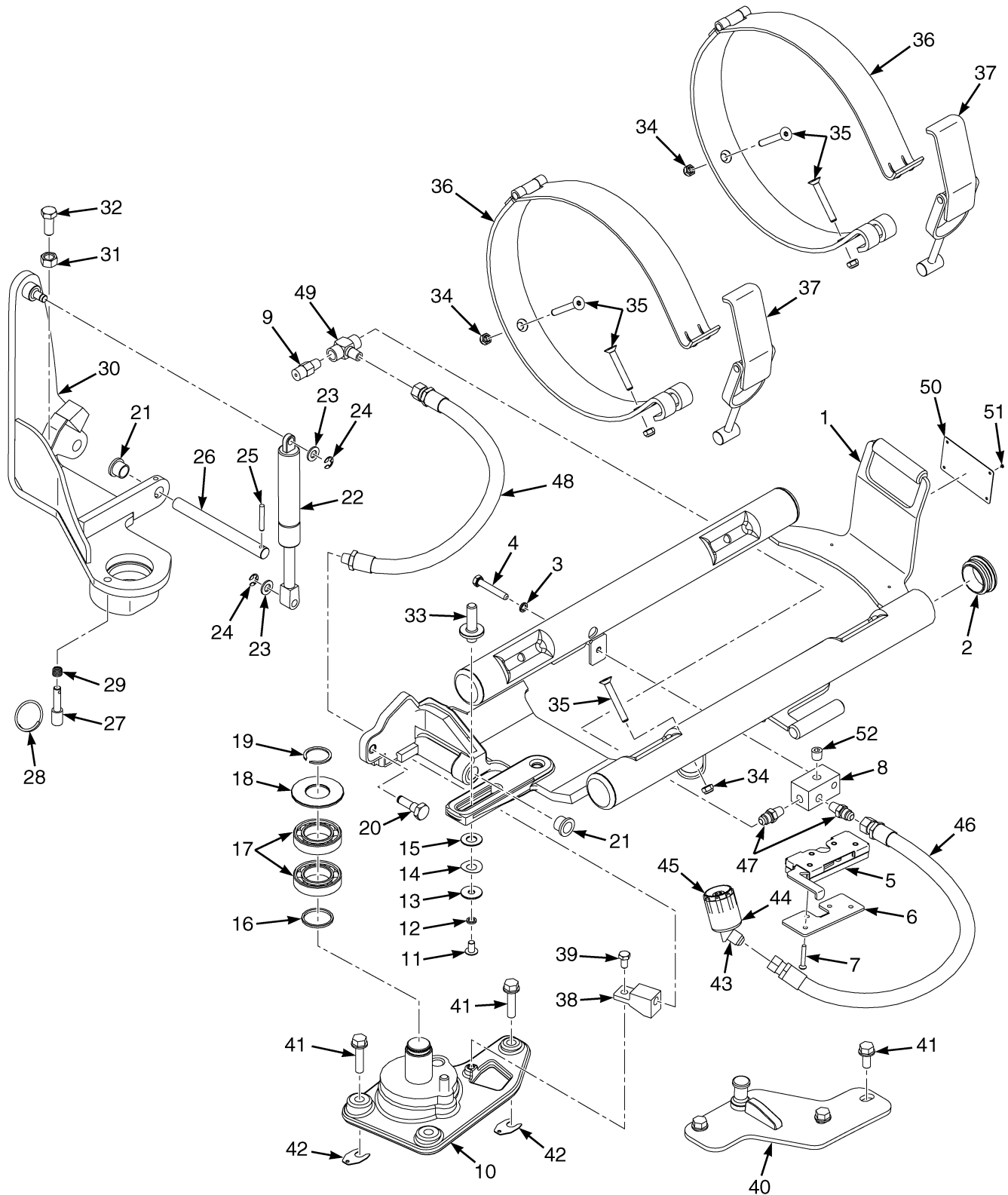
ITEM	PART NO.	DESCRIPTION	QTY
1	4068018	LPG Tank Bracket	1
2	1398099	Plug	4
3	1581898	Washer	1
4	1581583	Capscrew	1
5	1656325	Latch	1
6	1649565	Plate	1
7	4054932	Capscrew	4
8	4048941	Fitting (LPG Bulkhead Rear)	1
9	101809	Relief Valve	1
10	1584083	Bracket Wldmt (Shaft)	1
10	1584094	Base	1
11	4031146	Capscrew	1
12	4032292	Spacer	2
13	4032291	Washer	1
14	4029920	Washer	1
15	4029538	Washer	1
16	1568853	Thrust Washer	1
17	184451	Ball Bearing	2
18	1568839	Washer (Pivot)	1
19	34507	Snap Ring	1
20	1525478	Pin	1
21	1581888	Bushing	2
22	1402414	Gas Spring	1
23	1581557	Washer	2
24	1525442	E-Ring	2
25	302468	Roll Pin	1
26	1581887	Shaft	1
27	1615956	Pin	1
28	1534672	Ring	1
29	1528903	Spring	1
30	1615671	Pivot	1
30	1627827	Pivot (Cast) (Optional)	1
30	1688719	Pivot (Optional)	1
31	1581848	Nut	1
32	1586022	Capscrew	1
33	4029506	Pin (Alignment)	1
34	1581739	Nut	4
35	1581733	Capscrew	4
36	1613749	Strap	2
37	1613755	Latch	2
38	1525451	Fitting	1
39	1581579	Capscrew	1
40	1682752	Striker	1
41	1586013	Capscrew	3
42	1581400	Capscrew	3
43	16863	Fitting	1
44	2071517	Sleeve	1
45	97999	Fitting	1
46	4619574	Hose Assy	1
47	16134	Fitting	2

LPG BRACKET ASSEMBLY
SWING OUT DROP DOWN WITH TWIN STEEL STRAPS (→ S/N S005B02164M)

ITEM	PART NO.	DESCRIPTION	QTY
48	4619094	Hose Assy	1
49	4051434	Fitting (Elbow)	1
50	Data Plate	1
51	340044	Gripnail	4
	a 246108	Sealant	AR
	a 1687376	Sealant	AR
	a 264134	Loctite	AR
	a 1687377	Activator (Thread Sealant)	AR

FOOTNOTES:**a** Not Illustrated

LPG BRACKET ASSEMBLY (FIGURE 4-20) SWING OUT DROP DOWN WITH TWIN STEEL STRAPS (S/N S005B02165M →)



BP130461

LPG BRACKET ASSEMBLY
SWING OUT DROP DOWN WITH TWIN STEEL STRAPS (S/N S005B02165M →)

ITEM	PART NO.	DESCRIPTION	QTY
1	4102140	LPG Tank Bracket	1
2	1398099	Plug	4
3	1581898	Washer	1
4	1581583	Capscrew	1
5	1656325	Latch	1
6	1649565	Plate	1
7	4054932	Capscrew	4
8	4048941	Fitting (LPG Bulkhead Rear)	1
9	101809	Relief Valve	1
10	1584083	Bracket Wldmt (Shaft)	1
11	4031146	Capscrew	1
12	4032292	Spacer	2
13	4032291	Washer	1
14	4029920	Washer	1
15	4029538	Washer	1
16	1568853	Thrust Washer	1
17	184451	Ball Bearing	2
18	1568839	Washer (Pivot)	1
19	34507	Snap Ring	1
20	1525478	Pin	1
21	1581888	Bushing	2
22	1402414	Gas Spring	1
23	1581557	Washer	2
24	1525442	E-Ring	2
25	302468	Roll Pin	1
26	1581887	Shaft	1
27	1615956	Pin	1
28	1534672	Ring	1
29	1528903	Spring	1
30	1615671	Pivot	1
30	1627827	Pivot (Cast) (Optional)	1
30	1688719	Pivot (Optional)	1
31	1581848	Nut	1
32	1586022	Capscrew	1
33	4029506	Pin (Alignment)	1
34	1581739	Nut	4
35	1581733	Capscrew	4
36	1613749	Strap	2
37	1613755	Latch	2
38	1525451	Fitting	1
39	1581579	Capscrew	1
40	1682752	Striker	1
41	1586013	Capscrew	3
41	1581400	Capscrew	3
42	1688803	Shim	AR
43	16863	Fitting	1
44	2071517	Sleeve	1
45	97999	Fitting	1
46	4635043	Hose Assy	1
47	16134	Fitting	2

LPG BRACKET ASSEMBLY

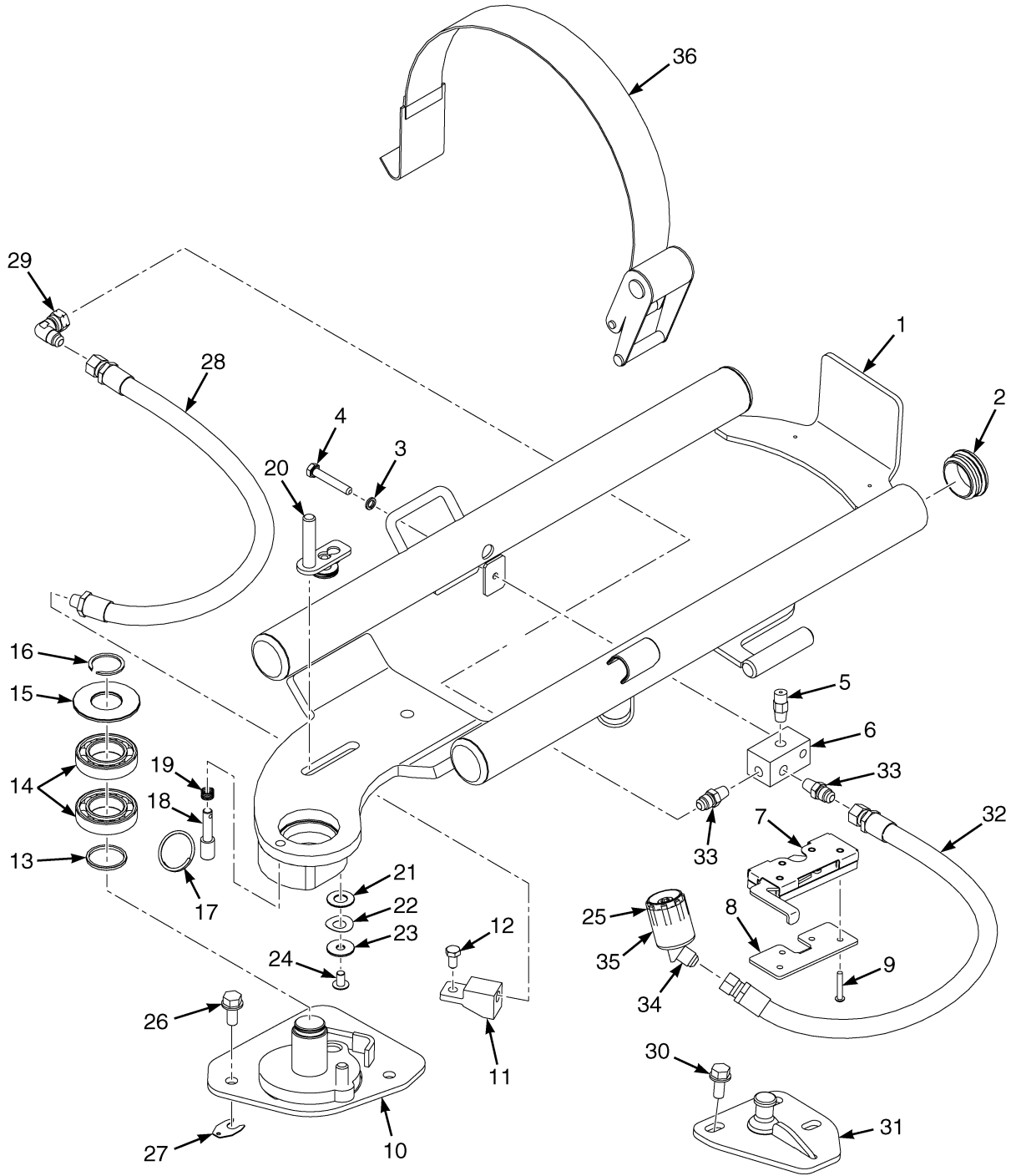
SWING OUT DROP DOWN WITH TWIN STEEL STRAPS (S/N S005B02165M →)

ITEM	PART NO.	DESCRIPTION	QTY
48	4635042	Hose Assy	1
49	17664	Fitting	1
50	Data Plate	1
51	340044	Gripnail	4
52	15347	Fitting	1
	a 246108	Sealant	AR
	a 1687376	Sealant	AR
	a 264134	Loctite	AR
	a 1687377	Activator (Thread Sealant)	AR

FOOTNOTES:

a Not Illustrated

LPG BRACKET ASSEMBLY (FIGURE 4-21) SWING OUT WITH FABRIC STRAP



BP130417

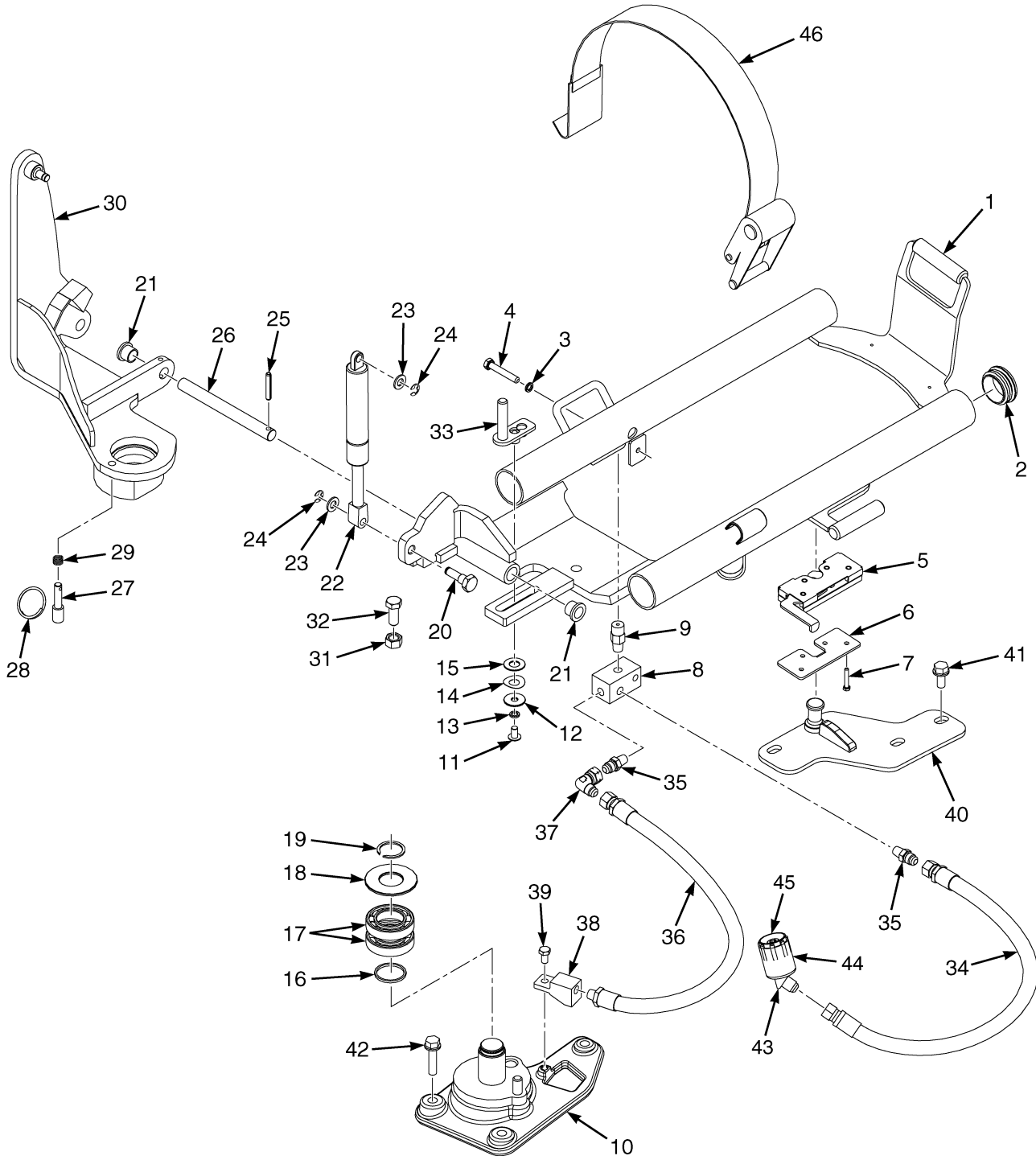
**LPG BRACKET ASSEMBLY
SWING OUT WITH FABRIC STRAP**

ITEM	PART NO.	DESCRIPTION	QTY
1	4067505	LPG Tank Bracket (Swing Out)	1
2	1398099	Plug	4
3	1581898	Washer	1
4	1581583	Capscrew	1
5	101809	Relief Valve	1
6	4048941	Fitting (LPG Bulkhead Rear)	1
7	1656325	Latch	1
8	1649565	Plate	1
9	4054932	Capscrew	4
10	1584083	Bracket Wldmt	1
10	1584094	Base	1
11	1525451	Fitting	1
12	1581579	Capscrew	1
13	1568853	Thrust Washer	1
14	184451	Ball Bearing	2
15	1568839	Washer (Pivot)	1
16	34507	Snap Ring	1
17	1534672	Ring	1
18	1615956	Pin	1
19	1528903	Spring	1
20	4032607	Pin (Alignment)	1
21	4029538	Washer	1
22	4029920	Washer	1
23	4032291	Washer	1
24	97999	Fitting	1
25	4031146	Capscrew	1
26	1581400	Capscrew	3
27	1688803	Shim	3
28	4619094	Hose Assy	1
29	4051434	Fitting (Elbow)	1
30	1586013	Capscrew	3
31	1682752	Striker	1
32	4619095	Hose Assy	1
33	16134	Fitting	1
33	16134	Fitting	2
34	16863	Fitting	1
35	2071517	Sleeve	1
36	1379455	Strap (Retension)	1
	a 246108	Sealant	AR
	a 1687376	Sealant (Alternate Part)	AR
	a 1687377	Activator (Thread Sealant)	1

FOOTNOTES:

a Not Illustrated

LPG BRACKET ASSEMBLY (FIGURE 4-22) SWING OUT, DROP DOWN WITH FABRIC STRAP



BP130418

LPG BRACKET ASSEMBLY
SWING OUT, DROP DOWN WITH FABRIC STRAP

ITEM	PART NO.	DESCRIPTION	QTY
1	4067507	LPG Tank Bracket (Swing/Drop Down)	1
2	1398099	Plug	4
3	1581898	Washer	1
4	1581583	Capscrew	1
5	1656325	Latch	1
6	1649565	Plate	1
7	4054932	Capscrew	4
8	4048941	Fitting (LPG Bulkhead Rear)	1
9	101809	Relief Valve	1
10	1584083	Bracket Wldmt (Shaft)	1
10	1584094	Base	1
11	4031146	Capscrew	1
12	4032292	Spacer	1
13	4032291	Washer	1
14	4029920	Washer	1
15	4029538	Washer	1
16	1568853	Thrust Washer	1
17	184451	Ball Bearing	2
18	1568839	Washer (Pivot)	1
19	34507	Snap Ring	1
20	1525478	Pin	1
21	1581888	Bushing	2
22	1402414	Gas Spring	1
23	1581557	Washer	2
24	1525442	E-Ring	2
25	302468	Roll Pin	1
26	1581887	Shaft	1
27	1615956	Pin	1
28	1534672	Ring	1
29	1528903	Spring	1
30	1615671	Pivot	1
30	1627827	Pivot (Cast) (Optional)	1
30	1688719	Pivot (Optional)	1
31	1581848	Nut	1
32	1586022	Capscrew	1
33	4032607	Pin (Alignment)	1
34	4619574	Hose Assy	1
35	16134	Fitting	2
36	4619094	Hose Assy	1
37	4051434	Fitting (Elbow)	1
38	1525451	Fitting	1
39	1581579	Capscrew	1
40	1682752	Striker	1
41	1586013	Capscrew	6
42	1688803	Shim	AR
43	16863	Fitting	1
44	2071517	Sleeve	1
45	97999	Fitting	1
46	1379455	Strap (Retension)	1
	a 246108	Sealant	AR

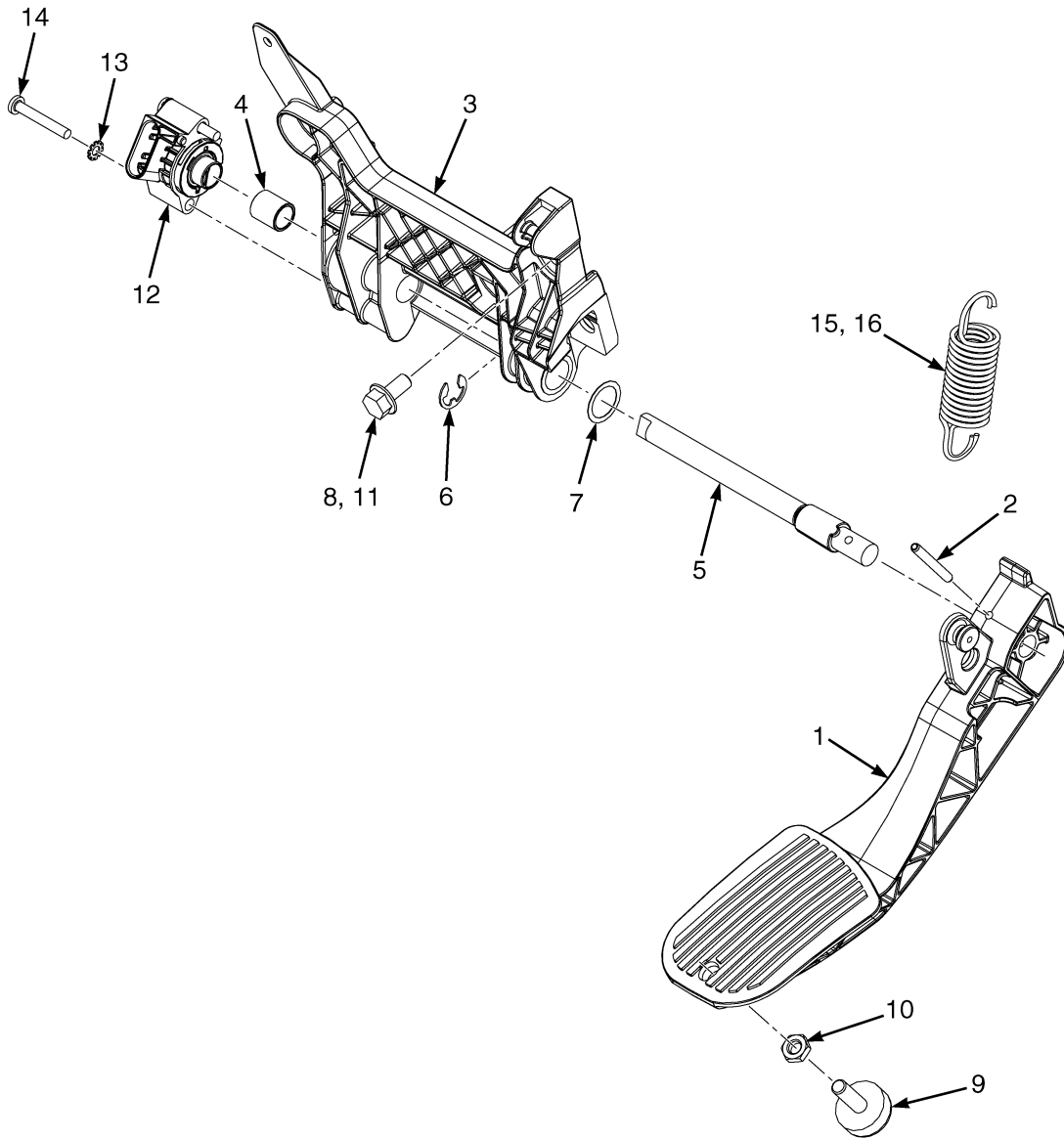
LPG BRACKET ASSEMBLY SWING OUT, DROP DOWN WITH FABRIC STRAP

ITEM	PART NO.	DESCRIPTION	QTY
	a 1687376	Sealant	AR
	a 264134	Loctite	AR

FOOTNOTES:

- a Not Illustrated

THROTTLE PEDAL ASSEMBLY AND ATTACHING PARTS (FIGURE 4-23) STANDARD PEDAL



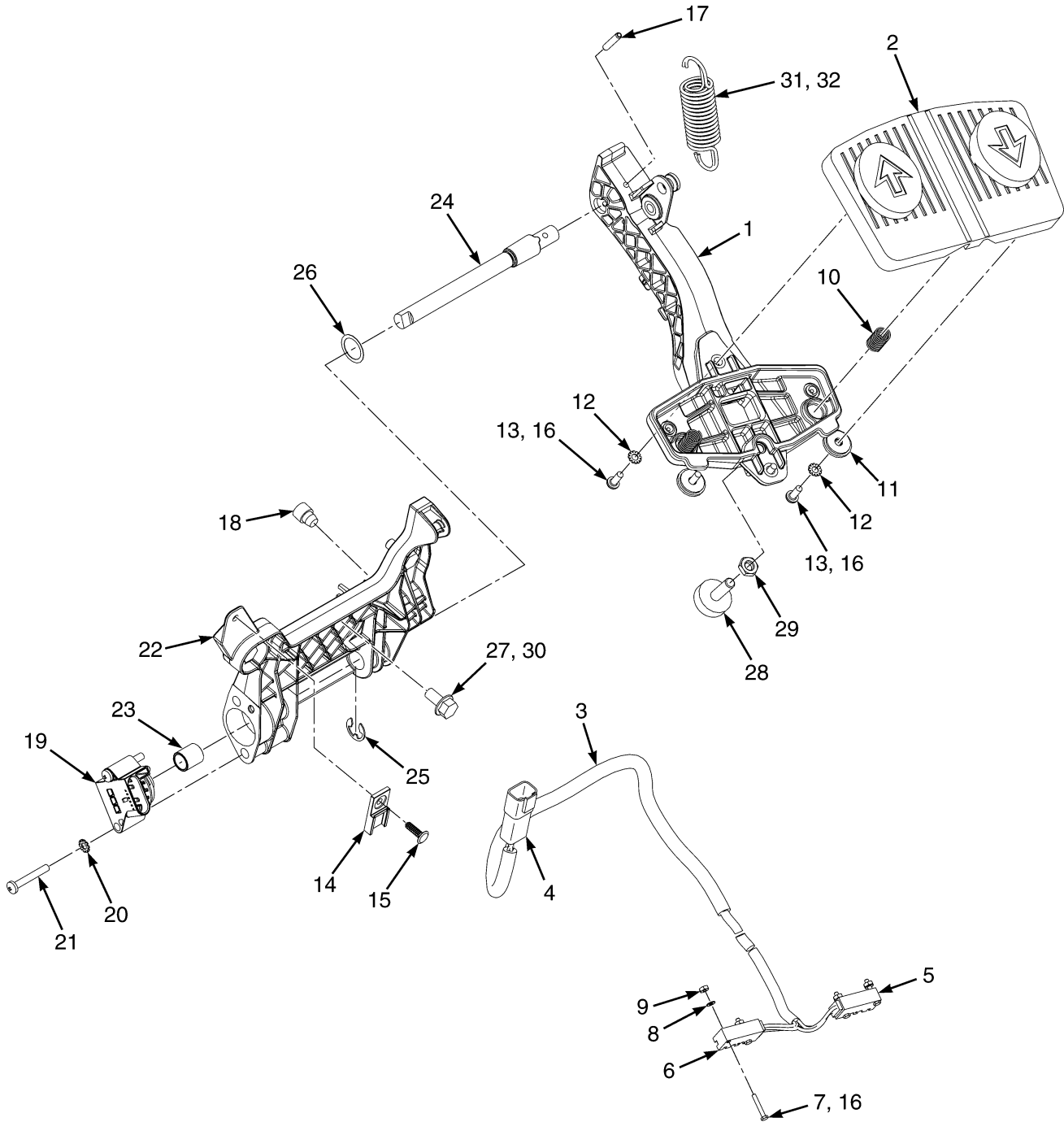
BP130362

**THROTTLE PEDAL ASSEMBLY AND ATTACHING PARTS
STANDARD PEDAL**

ITEM	PART NO.	DESCRIPTION	QTY
1	2071181	Pedal (Standard)	1
2	302443	Roll Pin	1
3	4051924	Base Assembly (Throttle)	1
3	4615964	Molding	1
4	1524267	Bushing	1
5	1654754	Shaft	1
6	1530971	E-Ring	1
7	1654156	Shim	AR
8	4109993		
	1527879	Capscrew	3
9	1530311	Screw (Stop)	1
10	329069	Nut	1
11	251099	Loctite	AR
12	2063842	Sensor (Hall Throttle Position)	1
13	296378	Washer	2
14	1564752	Capscrew	2
15	1582301	Spring (Inner)	1
15	a 1582303	Spring (Inner)	1
16	1582300	Spring (Outer)	1
16	a 1582302	Spring (Outer)	1

FOOTNOTES:**a** Kubota 3.6L Engine Only

THROTTLE PEDAL ASSEMBLY AND ATTACHING PARTS (FIGURE 4-24) MONOTROL PEDAL



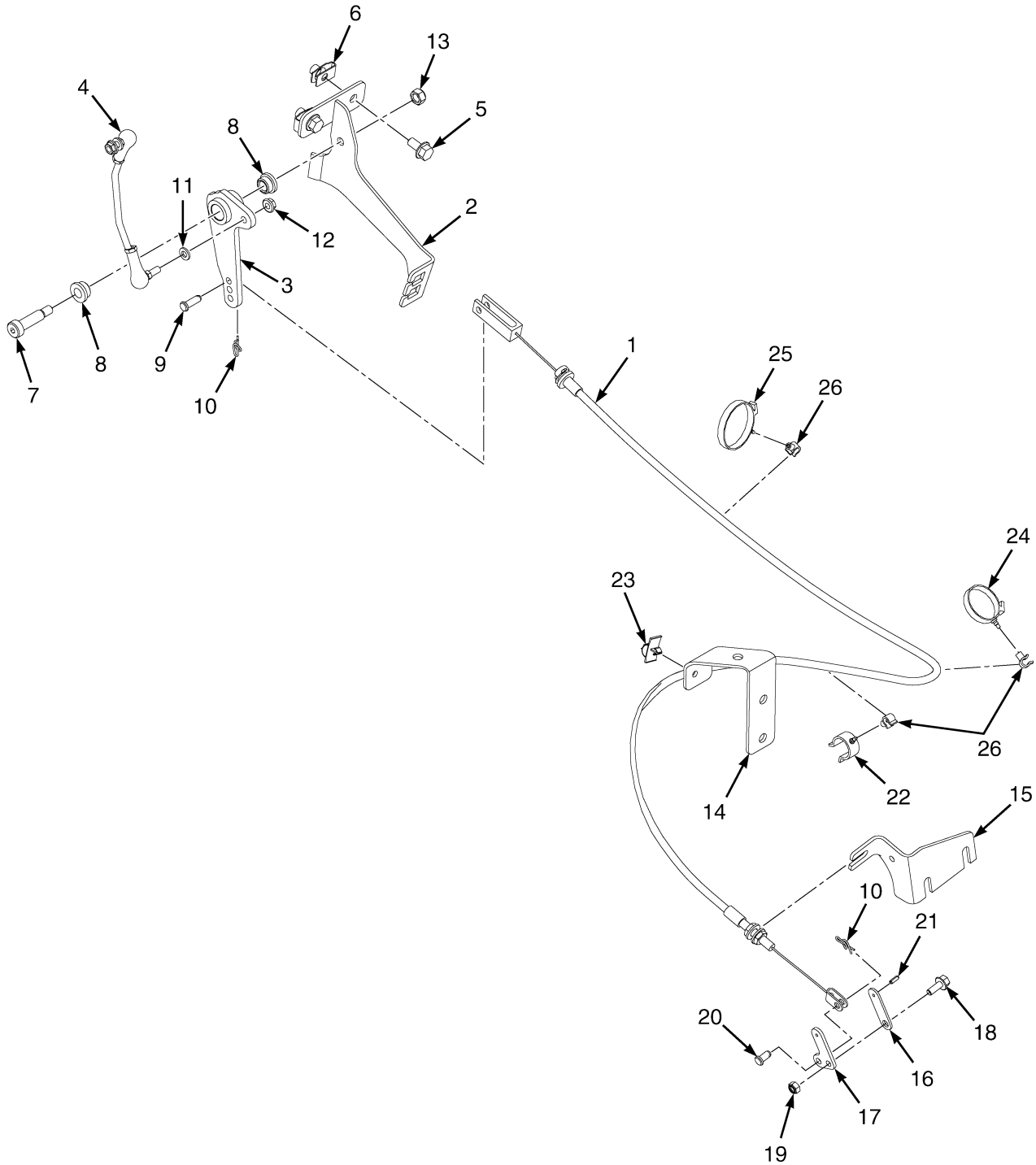
BP130363

**THROTTLE PEDAL ASSEMBLY AND ATTACHING PARTS
MONOTROL PEDAL**

ITEM	PART NO.	DESCRIPTION	QTY
	4051938	Pedal Assy (Monotrol)	1
1	2074702	Pedal	1
2	1340470	Pad	1
3	2072782 4634485	Wire Harness	1
4	Connector Assembly (To Cowl Harness)	1
4	1489655	Connector (4 Way)	1
4	1330416	Connector (Secondary Lock) (Secondary Lock)	1
4	1531312	Terminal	4
5	Switch (Reverse)	1
6	Switch (Forward)	1
7	220428	Screw	4
8	53162	Lockwasher	4
9	16865	Nut	4
10	325699	Spring	2
11	4040523	Washer (Bonded)	2
12	15931	Lockwasher	2
13	16708	Screw	2
14	1500912	Clip	1
15	1582464	Fastener	1
16	360387	Loctite	AR
17	302437	Roll Pin	1
18	4031769	Isolator (Throttle Pedal)	1
19	2063842	Sensor (Hall Throttle Position) (To Cowl Harness)	1
20	296378	Washer	2
21	1564752	Capscrew	2
22	4051924	Base Assembly (Throttle)	1
22	4615964	Molding	1
23	1524267	Bushing	1
24	1654754	Shaft	1
25	1530971	E-Ring	1
26	1654156	Shim	AR
27	4109993 1527879	Capscrew	3
28	1530311	Screw (Stop)	1
29	329069	Nut	1
30	251099	Loctite	AR
31	1582301	Spring (Inner)	1
31	a 1582303	Spring (Inner)	1
32	1582300	Spring (Outer)	1
32	a 1582302	Spring (Outer)	1

FOOTNOTES:**a** Kubota 3.6L Engine Only

THROTTLE CABLE ASSEMBLY (FIGURE 4-25) KUBOTA 3.6L DIESEL

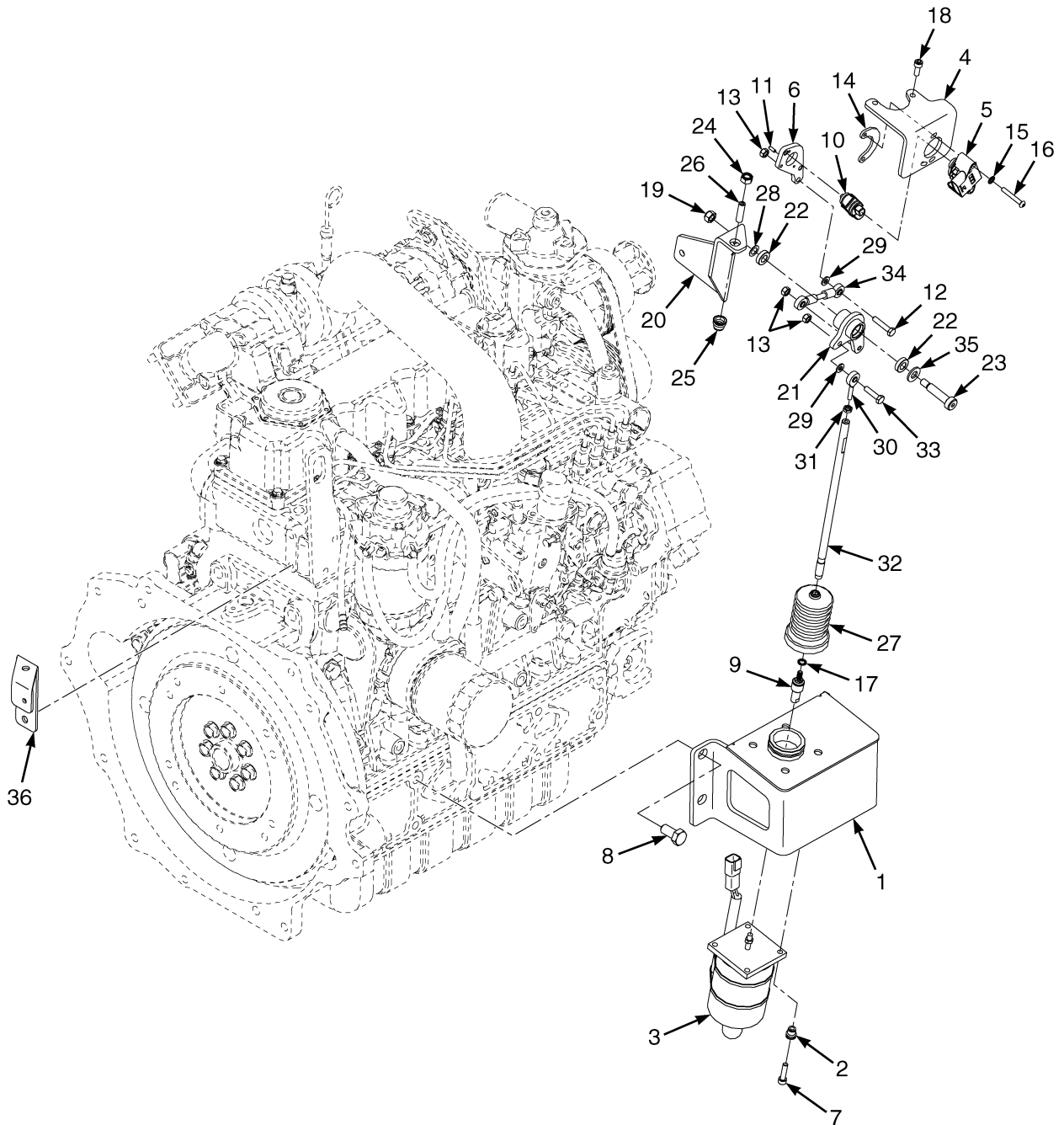


BP130361

**THROTTLE CABLE ASSEMBLY
KUBOTA 3.6L DIESEL**

ITEM	PART NO.	DESCRIPTION	QTY
1	4621757	Throttle Cable	1
2	1609374	Bracket	1
3	4047914	Bellcrank	1
4	1538782	Push Rod Assembly	1
5	4109993 1527879	Capscrew	2
6	1480237	Nut	2
7	1399802	Bolt	1
8	4048086	Bearing	2
9	126	Pin	1
10	1517361	Locking Ring Cotter Pin	2
11	4093489 320156	Washer	2
12	1514429	Nut	2
13	302400	Nut	1
14	4038429	Bracket	1
15	4047925	Bracket	1
16	4038427	Spacer	1
17	4047924	Plate	1
18	1527876	Capscrew	1
19	302399	Nut	1
20	128263	Pin	1
21	302422	Roll Pin	1
22	1502066	Clamp (Swivel)	1
23	1562088	Clip	1
24	1644398	Clamp (Swivel)	1
25	1502061	Clamp	1
26	1542440	Clamp (Swivel)	3

E-THROTTLE LINKAGE (FIGURE 4-26) KUBOTA 3.6L DIESEL



BP130444

**E-THROTTLE LINKAGE
KUBOTA 3.6L DIESEL**

ITEM	PART NO.	DESCRIPTION	QTY
1	4077586	Bracket Wldmt	1
2	1531558	Insert	4
3	4629892	Actuator	1
4	4067297	Bracket	1
5	2080376	Sensor (Hall Throttle Postion)	1
6	4069932	Plate	1
7	1581741	Capscrew	4
8	4630631	Capscrew	3
9	4629890	Ball Joint	1
10	2078335	Rotor	1
11	302422	Roll Pin	1
12	292502	Capscrew	1
13	302399	Nut	3
14	1626774	Plate	1
15	296378	Washer	2
16	1553897	Capscrew	2
17	296359	Washer	1
18	293774	Capscrew	2
19	313828	Nut	1
19	316835	Nut (Alternate Part)	1
20	4085741	Bracket	1
20	4142399	Bracket (Alternate Part)	1
21	4085742	Bellcrank	1
21	4142401	Bellcrank (Alternate Part)	1
22	4085743	Bearing	2
23	4073575	Bolt	1
23	4137167	Bolt (Alternate Part)	1
24	302400	Nut	1
25	1531557	Insert	1
26	302153	Setscrew	1
27	4081358	Boot	1
28	4090191	Shim	1
29	4093489		
	320156	Washer	2
30	4085422	Rod End	1
31	1593334	Nut	1
32	4077582	Rod	1
33	287816	Capscrew	1
34	4089962	Rod End	1
35	320159	Washer	1
36	4038429	Bracket	1
	264134	Loctite	AR

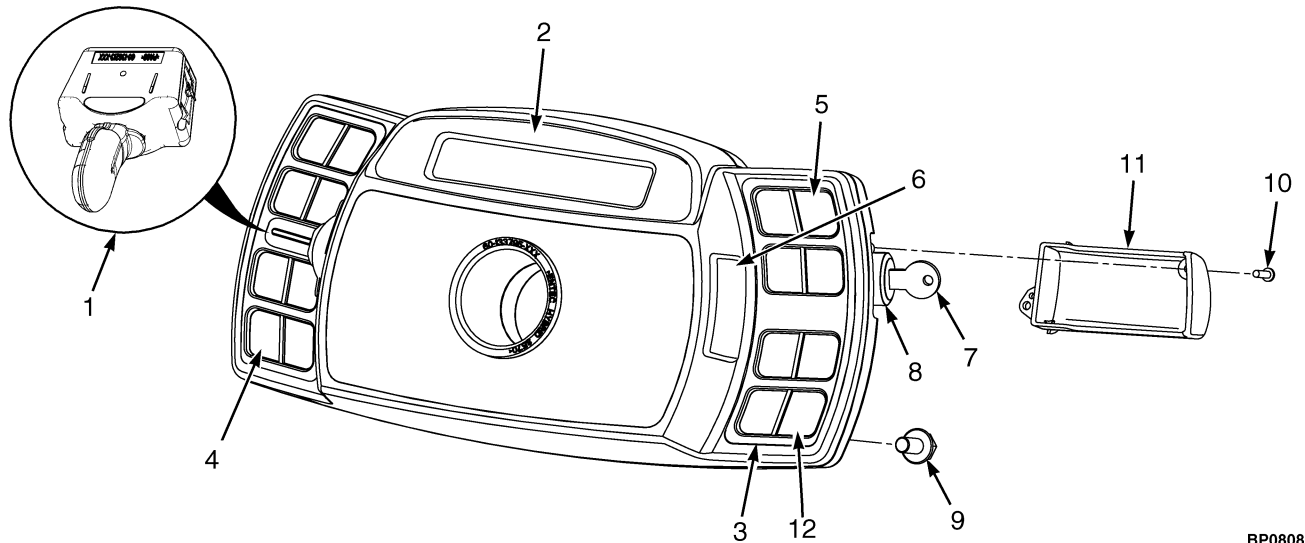
SECTION 5 ELECTRICAL SYSTEM

DESCRIPTION	PAGE
ALTERNATOR	
SEALED - GM4.3L LPG	5-34
BATTERY CABLE	
FUSED - KUBOTA 3.6L DIESEL	5-20
BATTERY CABLES	
GM 4.3L LPG	5-18
KUBOTA DIESEL	5-21
CONTROL MODULE	
DIESEL INTERFACE - KUBOTA V3800	5-36
COWL ELECTRICAL	
ELECTRO-HYDRAULIC	5-8
MANUAL HYDRAULIC	5-6
DISTRIBUTOR ASSEMBLY	
GM 4.3L LPG	5-32
DPF DISPLAY	
3.8L KUBOTA DIESEL	5-40
ELECTRICAL SYSTEM	
RIGHT HAND CHASSIS	5-4
ENGINE CONTROL MODULE AND SENSORS	
GM 4.3L LPG	5-28
ENGINE ELECTRICAL SYSTEM	
GM 4.3L LPG	5-16
KUBOTA 3.6L DIESEL	5-10
ENGINE ELECTRICAL SYSTEM AND ATTACHING PARTS	
KUBOTA 3.6L DIESEL	5-12
KUBOTA 3.8L DIESEL - WITH STANDARD ALTERNATOR HARNESS	5-14
IMPACT SENSOR	5-46
INSTRUMENT CLUSTER	5-3
JOYSTICK	
→ 4/2014	5-50
LIGHTS	
BRAKE, TAIL, BACKUP, SIDE, TURN SIGNALS, WORK, STROBE - WITH OVERHEAD GUARD	5-24
BRAKE, TAIL, BACKUP, SIDE, TURN SIGNALS, WORK, STROBE - WITH CAB	5-26
LOAD WEIGH ELECTRICAL	5-44
MAST TILT SENSOR	5-42
MINI-LEVER CONTROLS	
WITH ARMREST - THREE FUNCTION	5-54
WITH ARMREST - FOUR FUNCTION	5-56
POWER DISTRIBUTION MODULE	5-38
RELAY	
KUBOTA DIESEL	5-35
REMOTE KEY SWITCH	5-48
SEAT BELT SWITCH ADAPTER	
4/2014 →	5-52
SPARK PLUGS AND WIRES	
GM 4.3L LPG	5-29
STARTER	
GM 4.3L LPG	5-30
TRANSMISSION ELECTRICAL SYSTEM	5-58

**SECTION 5
ELECTRICAL SYSTEM**

DESCRIPTION	PAGE
WIRE HARNESS	
ADAPTER - LOW FUEL PRESSURE	5-60
AIR CONDITIONER	5-62
COWL - MANUAL HYDRAULICS WITH MONOTROL PEDAL	5-118
COWL - MANUAL HYDRAULICS WITH FORWARD/REVERSE	5-122
COWL - ELECTRO-HYDRAULICS WITH MONOTROL PEDAL	5-126
COWL - ELECTRO-HYDRAULICS WITH FORWARD/REVERSE	5-130
DPF DISPLAY	5-138
ELECTRONIC CONTROL VALVE - THREE FUNCTION	5-66
ELECTRONIC CONTROL VALVE - FOUR FUNCTION	5-68
ENGINE - KUBOTA DIESEL 3.6L	5-74
ENGINE - KUBOTA 3.8L DIESEL	5-78
LIGHTS - WITH OVERHEAD GUARD	5-84
RH CHASSIS - GM 4.3L LPG AND KUBOTA 3.8L DIESEL (→ 4/2014)	5-88
RH CHASSIS - GM 4.3L LPG AND KUBOTA 3.8L DIESEL (4/2014 →)	5-94
RH CHASSIS - KUBOTA DIESEL (3.6L)	5-106
RH CHASSIS WITH SEAT BELT SEQUENCE MODULE - GM 4.3L LPG AND KUBOTA 3.8L DIESEL	5-100
RH CHASSIS WITH SEAT BELT SEQUENCE MODULE - KUBOTA DIESEL (3.6L)	5-112
TRANSMISSION - SINGLE SPEED	5-134
TRANSMISSION - DUAL SPEED	5-136
WIRE HARNESS (ENGINE)	
GM 4.3L, LPG	5-70

INSTRUMENT CLUSTER (FIGURE 5-1)



BP080816

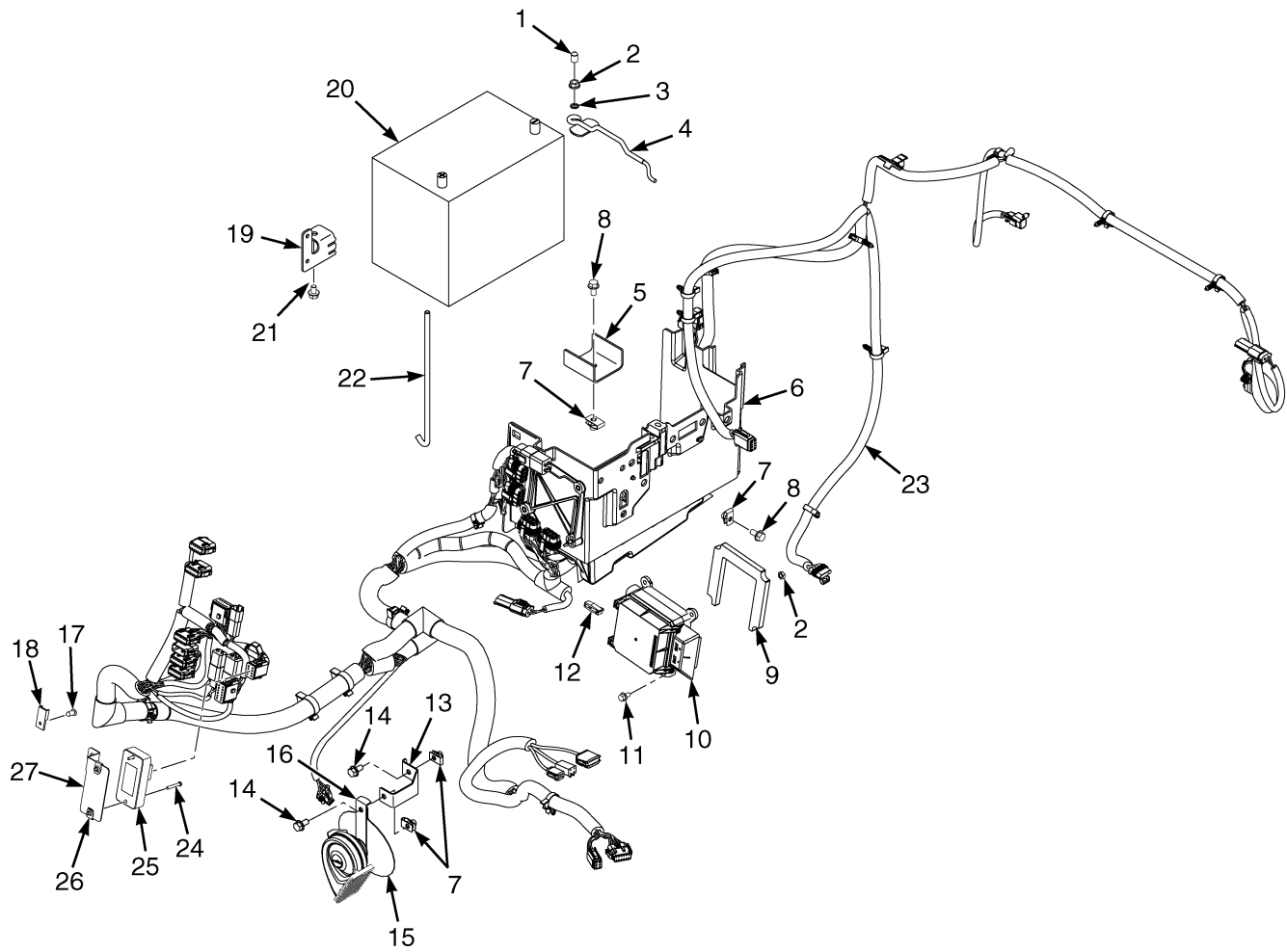
ITEM	PART NO.	DESCRIPTION	QTY
1	4604594	Lever (Detent Forward and Reverse)	1
2	2076695	Display (With Overhead Guard)	1
2	2076696	Display (With Cab)	1
3	2066485	Bezel (Display Cluster)	1
4	2066483	Label (LH Display with Cab)	1
4	2069431	Label (Blank) (LH Display with Overhead Guard)	1
5	2066484	Label (RH Display, All Options)	1
6	2060032	Cover (Without Turn Signals)	1
6	a 4604595	Lever (Turn Signal Lever)	1
7	1337197	Key Set	1
8	2057948	Ignition Switch	1
9	4109993		
	1527879	Capscrew	4
10	1554902	Screw	5
11	2060033	Cover (Keyswitch)	1
12	b 2066482	Label (RH Display)	1

FOOTNOTES:

a Not Illustrated

b Remove Panels From Overlay as Required For Truck Configuration.

ELECTRICAL SYSTEM (FIGURE 5-2) RIGHT HAND CHASSIS



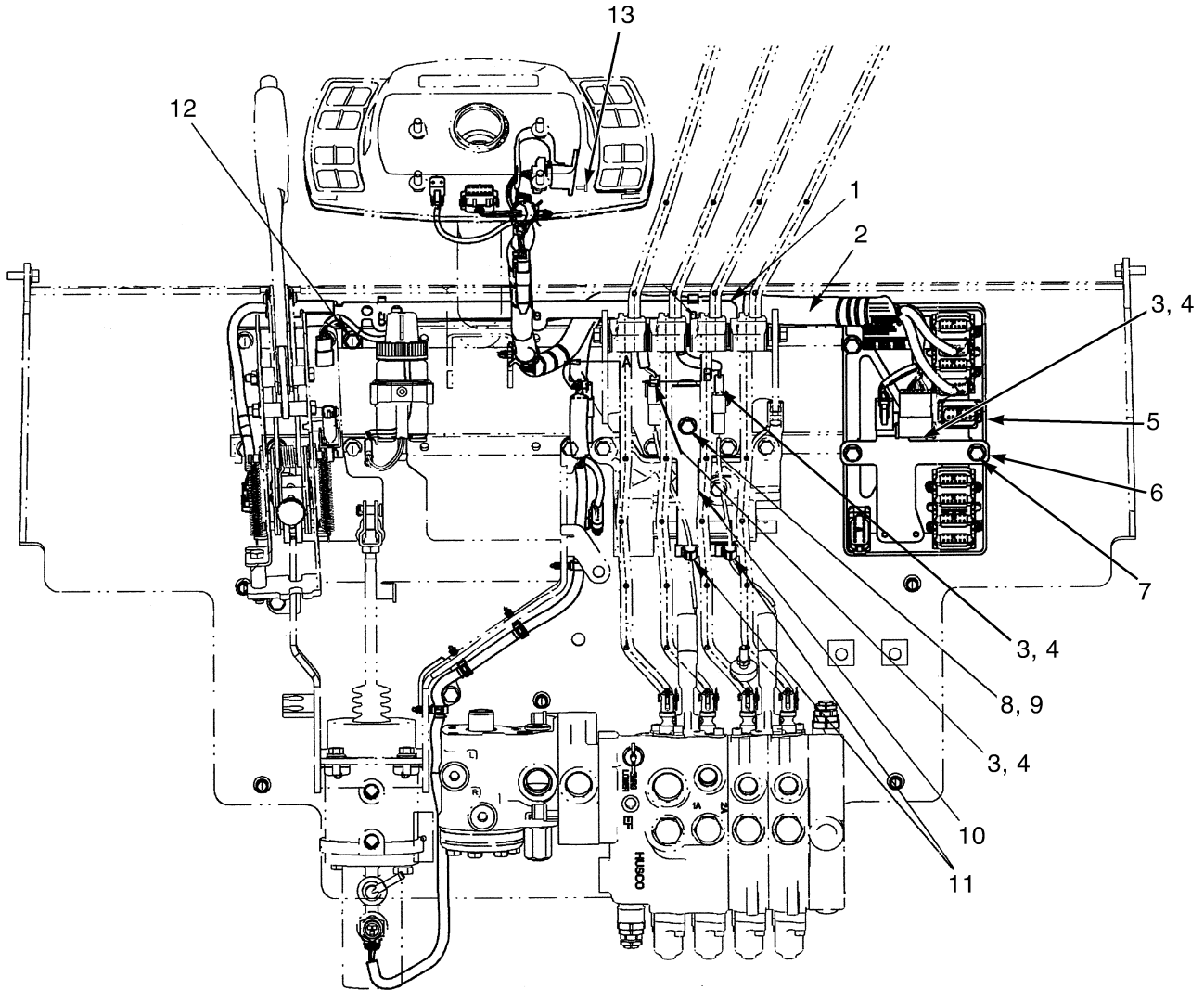
BP081732

**ELECTRICAL SYSTEM
RIGHT HAND CHASSIS****KEY:****A: GM 4.3L LPG****B: Kubota 3.6L and 3.8L Diesel**

ITEM	PART NO.	DESCRIPTION	QTY	
			A	B
1	1540805	Cap	1	1
2	1502543	Nut (Flange)	3	3
3	296380	Washer	1	1
4	1641368	Link (Battery Hold Down)	1	1
5	1584143	Bracket	1	..
6	2097662	Battery Tray	1	1
7	1480237	Nut	6	5
8	1527880	Capscrew	4	3
9	1559928	Seal	1	1
10	2090613	Fuse Box (PDM) (☞Figure 5-21).....	1	1
11	1534417	Capscrew	3	3
12	1402883	Fuse Puller	1	1
13	4601681	Bracket	1	1
14	4109993			
	1527879	Capscrew	2	2
15	4601680	Shield	1	1
16	4077726	Horn (Electronic)	1	1
17	1582464	Fastener	6	6
18	1500912	Clip	4	4
19	1611542	Bracket	1	1
20	1383331	Start Battery Wet	1	..
20	1643935	Start Battery Wet (Optional)	1	..
20	1399332	Start Battery Wet	1
20	1643937	Start Battery Wet (Optional)	1
21	1529366	Capscrew	1	1
22	2065745	Link (Battery Hold Down)	1	1
23	b 4612950	Wire Harness (RH Chassis) (GM and 3.8L Diesel) (☞Figure 5-40).....	1	1
23	c 4630268	Wire Harness (RH Chassis) (RH Chassis) (GM and 3.8L Diesel) (☞Figure 5-41).....	1	1
23	a 4635135	Wire Harness (RH Chassis) (GM and 3.8L Diesel) (☞Figure 5-42).....	1	1
23	4629764	Wire Harness (RH Chassis) (RH Chassis) (3.6L Diesel) (☞Figure 5-43).....	..	1
23	a 4635136	Wire Harness (RH Chassis) (3.6L Diesel) (☞Figure 5-44).....	..	1
24	a 1529366	Capscrew	2	2
25	a 4634955	Control Module (Seat Belt Sequence)	1	1
26	a 1537551	Nut (Clip)	2	2
27	a 4102512	Bracket	1	1

FOOTNOTES:**a** With Seat Belt Sequence Module**c** 4/2014 →**b** → 4/2014

COWL ELECTRICAL (FIGURE 5-3) MANUAL HYDRAULIC



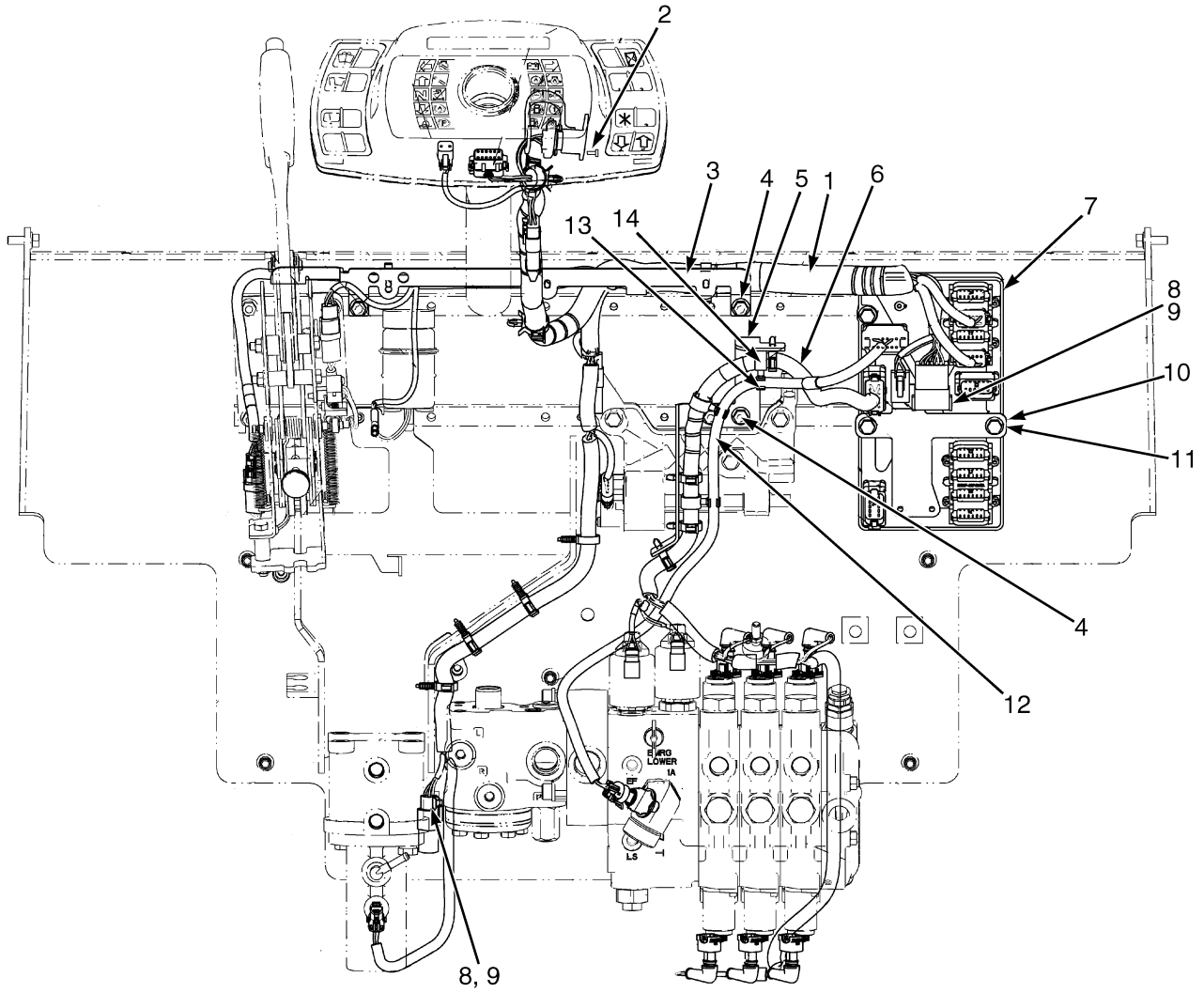
BP081328

**COWL ELECTRICAL
MANUAL HYDRAULIC****KEY:****A: With Monotrol Pedal****B: With Forward/Reverse Lever**

ITEM	PART NO.	DESCRIPTION	QTY	
			A	B
1	2111004	Bracket (Left Hand)	1	1
1	2111005	Bracket (Right Hand)	1	1
2	4614877	Wire Harness (Cowl) (☞Figure 5-45).....	1	..
2	4614878	Wire Harness (Cowl) (☞Figure 5-46).....	..	1
3	1582464	Fastener	5	4
4	1500912	Clip	5	4
5	b 2068342	Vehicle System Manager (VSM) (w/ Manual Hydraulics)	1	1
5	a 2068344	Vehicle System Manager (VSM) (w/ Cab and with or without Electro-Hydraulics)	1	1
6	4035794	Bracket	1	1
7	1510115	Capscrew	3	3
8	1528482	Capscrew	1	1
9	1398062	Nut (Fold Over)	1	1
10	1684542	Bracket	1	1
11	1562088	Clip	2	2
12	4011940	Capscrew	2	2
13	1554902	Screw	2	2

FOOTNOTES:**a** With Cab**b** With Overhead Guard

COWL ELECTRICAL (FIGURE 5-4) ELECTRO-HYDRAULIC



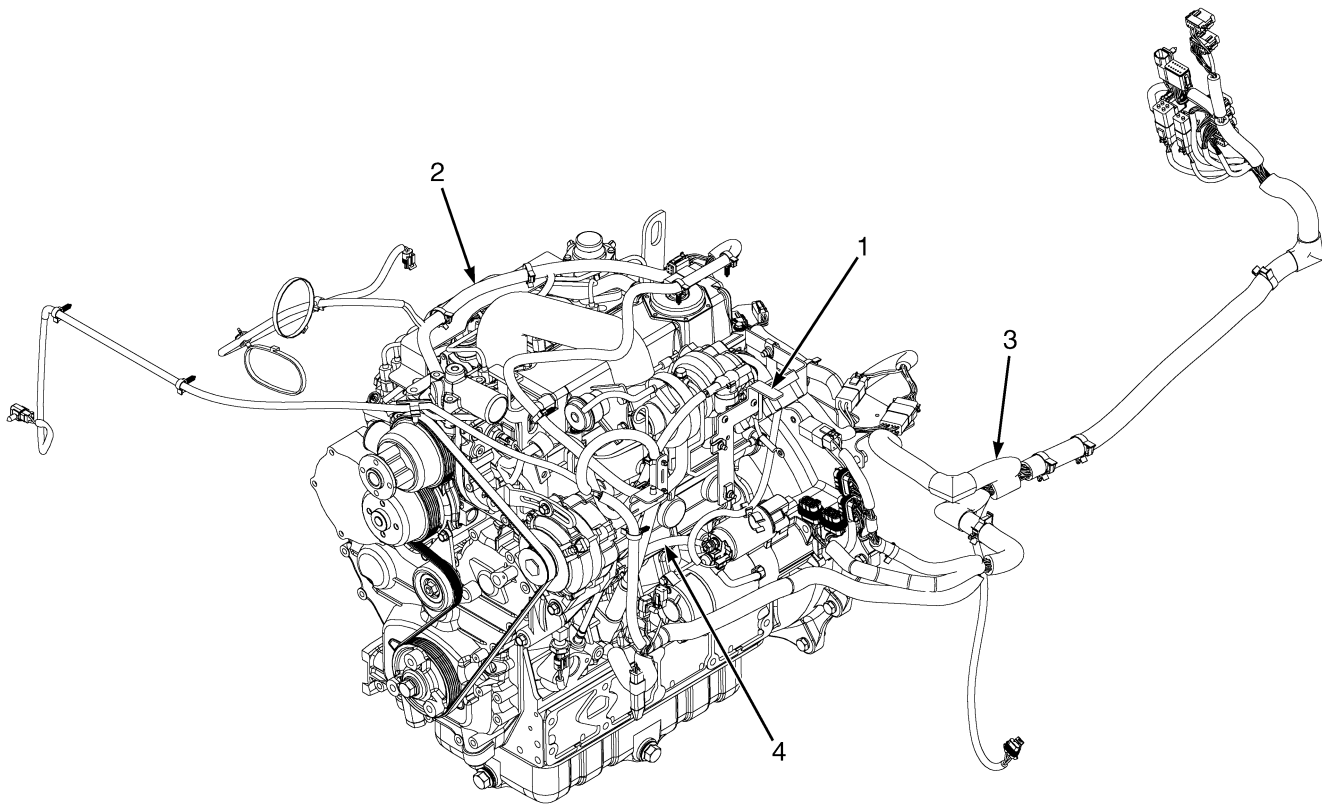
BP081329

**COWL ELECTRICAL
ELECTRO-HYDRAULIC****KEY:****A: With Monotrol Pedal****B: With Forward/Reverse Lever**

ITEM	PART NO.	DESCRIPTION	QTY	
			A	B
1	4614879	Wire Harness (Cowl) (With Return to Set Tilt) (☞Figure 5-47).....	1	..
1	4614880	Wire Harness (Cowl) (Without Return to Set Tilt) (☞Figure 5-46).....	..	1
2	1554902	Screw	2	2
3	2111004	Bracket (Left Hand)	1	1
3	2111005	Bracket (Right Hand)	1	1
4	4011940	Capscrew	4	4
5	1531975	Bracket	1	1
6	2060198	Wire Harness (Control Valve) (3 Function) (☞Figure 5-47).....	1	1
6	2058909	Wire Harness (Control Valve) (4 Function) (☞Figure 5-48).....	1	1
7	c 2068343	Vehicle System Manager (VSM) (w/ Electro-Hydraulics)	1	1
7	b 2068344	Vehicle System Manager (VSM) (w/ Cab and with or without Electro-Hydraulics)	1	1
8	1500912	Clip	4	2
9	1582464	Fastener	4	2
10	4035794	Bracket	1	1
11	1510115	Capscrew	3	3
12	2079326	Wire Harness (Load Weigh) (☞Figure 5-24).....	1	1
13	1573549	Clamp	3	3
14	1606544	Clamp (Swivel)	3	3
	a 1563841	Dust Cap	1	1

FOOTNOTES:**a** Not Illustrated**b** With Cab**c** With Overhead Guard

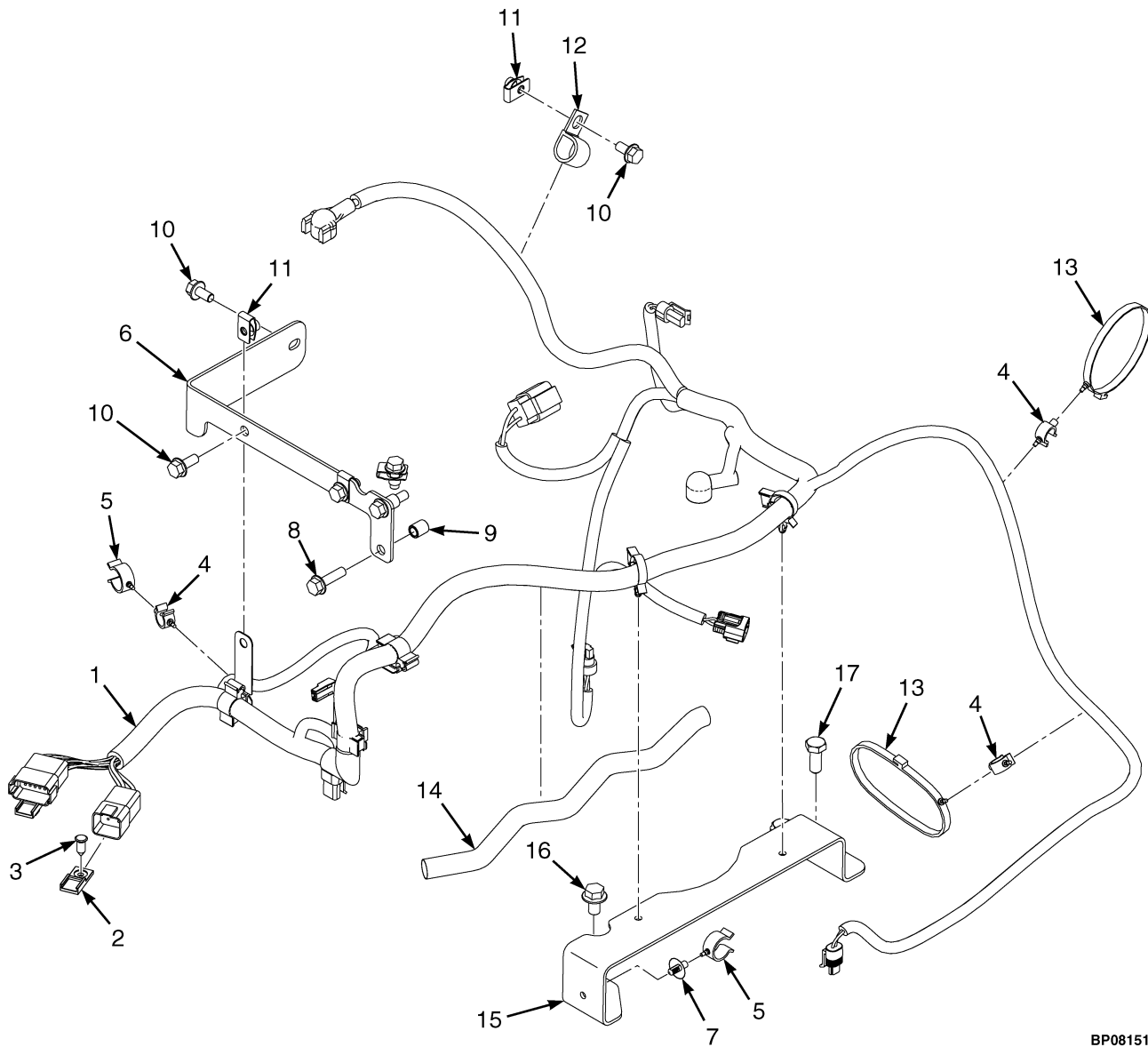
ENGINE ELECTRICAL SYSTEM (FIGURE 5-5) KUBOTA 3.6L DIESEL



BP081288

ITEM	PART NO.	DESCRIPTION	QTY
1	Relay (☞ Figure 5-19).....	1
2	Engine Harness (☞ Figure 5-37).....	1
3	Electrical System (☞ Figure 5-2).....	1
4	Battery Cable (Fused) (☞ Figure 5-10).....	1

ENGINE ELECTRICAL SYSTEM AND ATTACHING PARTS (FIGURE 5-6) KUBOTA 3.6L DIESEL

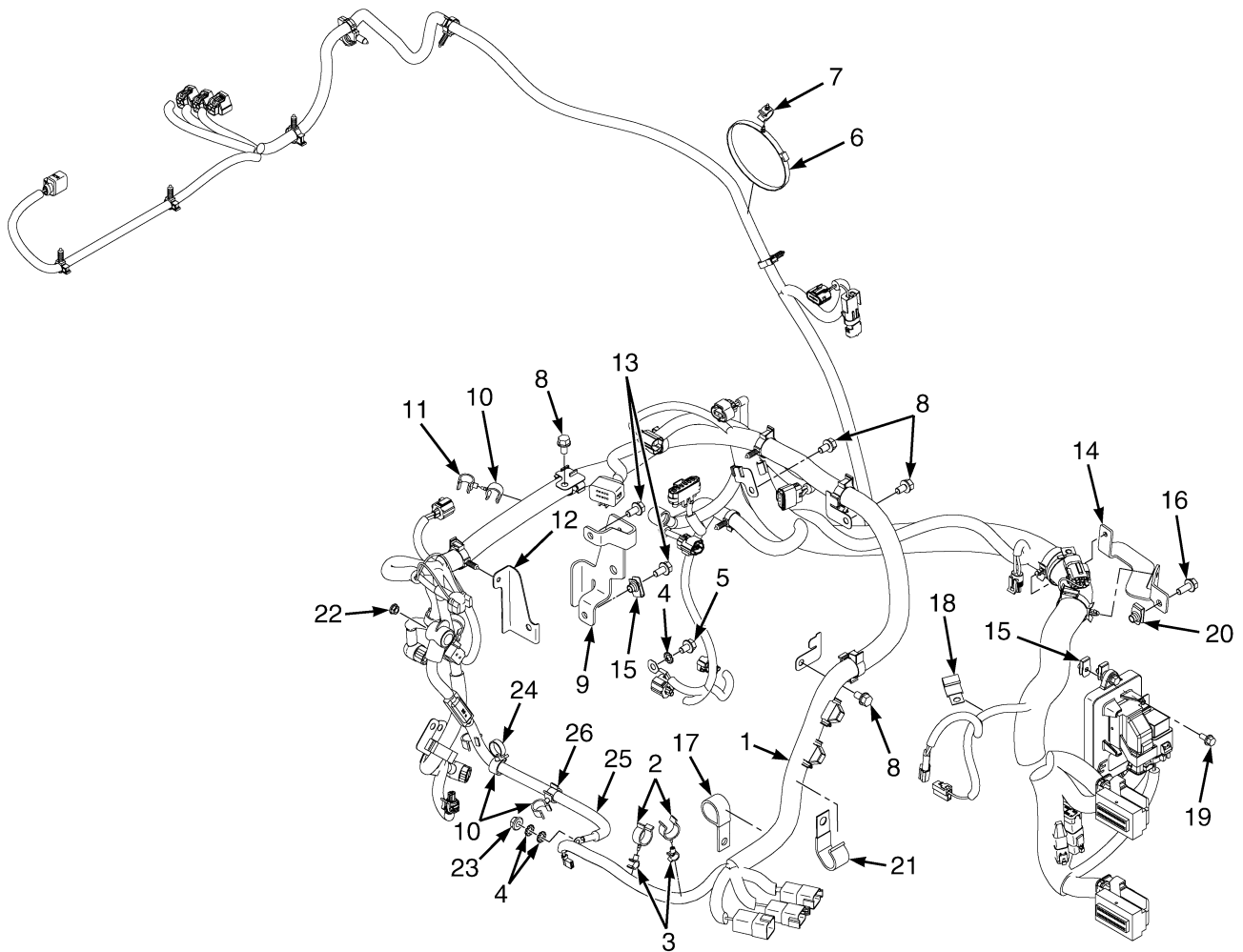


BP081519

**ENGINE ELECTRICAL SYSTEM AND ATTACHING PARTS
KUBOTA 3.6L DIESEL**

ITEM	PART NO.	DESCRIPTION	QTY
1	4629824	Wire Harness (Engine) (☞ Figure 5-37).....	1
2	1500912	Clip	2
3	1582464	Fastener	2
4	1542439	Clamp (Swivel)	3
5	1502066	Clamp (Swivel)	2
6	4040096	Bracket	1
7	1543842	Clamp	1
8	1527881	Capscrew	2
9	2781075	Spacer	2
10	4109993		
	1527879	Capscrew	2
11	1480237	Nut	4
12	178119	Clamp	1
13	1502061	Clamp	2
14	4621031	Hose (Conduit)	1
15	4040097	Bracket	1
16	1556623	Bolt	1
17	4616151	Capscrew	2

ENGINE ELECTRICAL SYSTEM AND ATTACHING PARTS (FIGURE 5-7) KUBOTA 3.8L DIESEL — WITH STANDARD ALTERNATOR HARNESS



BP081492

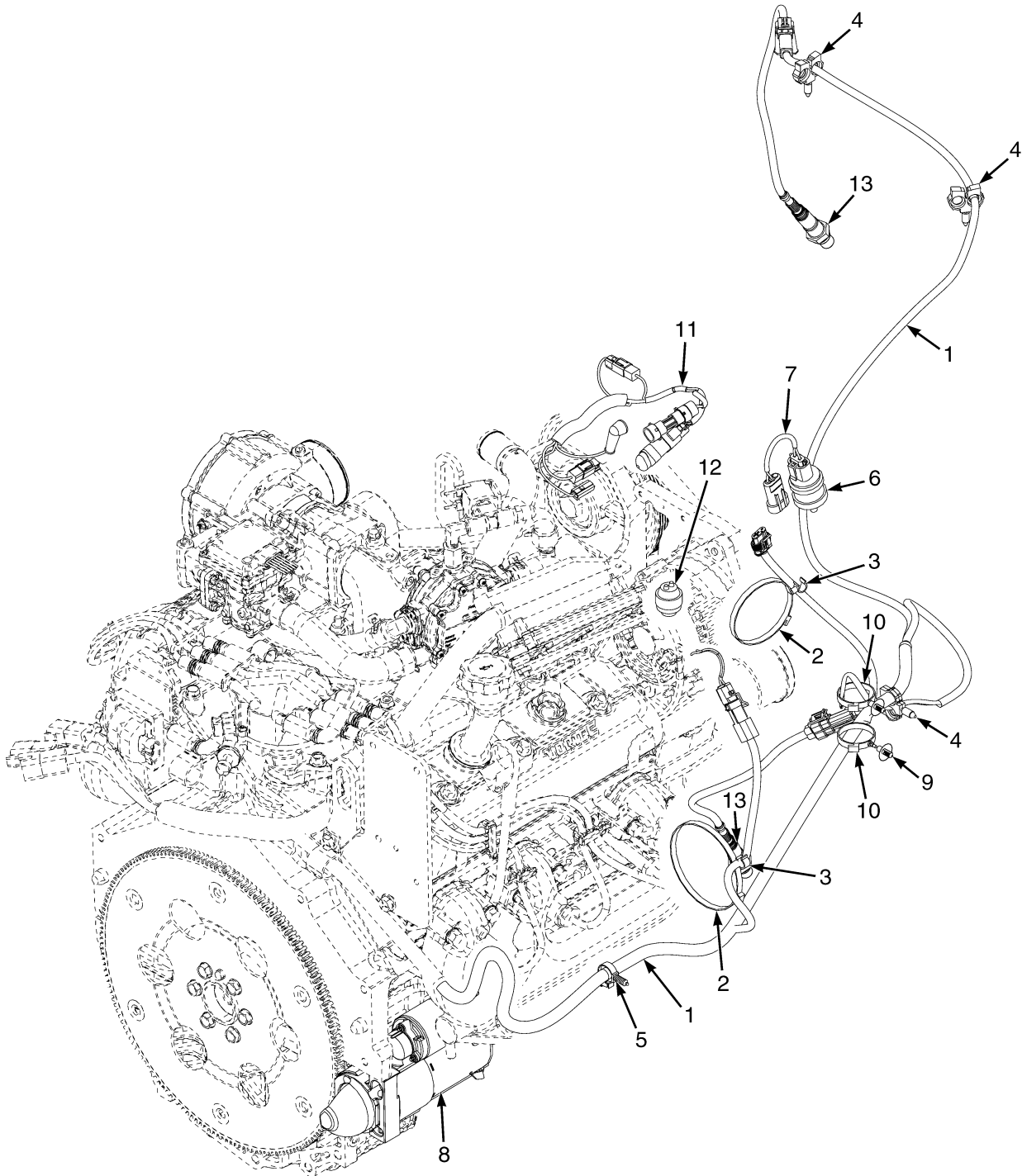
**ENGINE ELECTRICAL SYSTEM AND ATTACHING PARTS
KUBOTA 3.8L DIESEL – WITH STANDARD ALTERNATOR HARNESS**

ITEM	PART NO.	DESCRIPTION	QTY
1	4620676	Wire Harness (Engine) (☞ Figure 5-38).....	1
2	1502066	Clamp (Swivel)	2
3	1561871	Clamp (Swivel)	2
4	296380	Washer	2
5	1529366	Capscrew	1
6	1502061	Clamp	1
7	1542439	Clamp (Swivel)	1
8	1613324	Capscrew	4
9	4050610	Bracket	1
10	1543698	Clamp (Swivel)	4
11	1502054	Clamp	1
12	4062255	Bracket	1
13	4109993		
	1527879	Capscrew	2
14	4045621	Bracket	1
15	1480237	Nut	2
16	1527880	Capscrew	1
17	1310611	Clamp	1
18	1376782	Clamp	1
19	1693371	Capscrew	1
20	1566420	Nut (Foldover)	1
21	325897	Clamp	1
22	1514429	Nut	1
23	1502543	Nut (Flange)	1
24	4074942	Clamp	1
25	4616862	Battery Cable	1
25	148614	E-Ring	1
25	148614	E-Ring	1
25	4050800	Boot	1
26	1606544	Clamp (Swivel)	3
	a 4075981	Bracket (Hydraulic Sensor)	1
	a 1509888	Clip	1

FOOTNOTES:

a Not Illustrated

ENGINE ELECTRICAL SYSTEM (FIGURE 5-8) GM 4.3L LPG

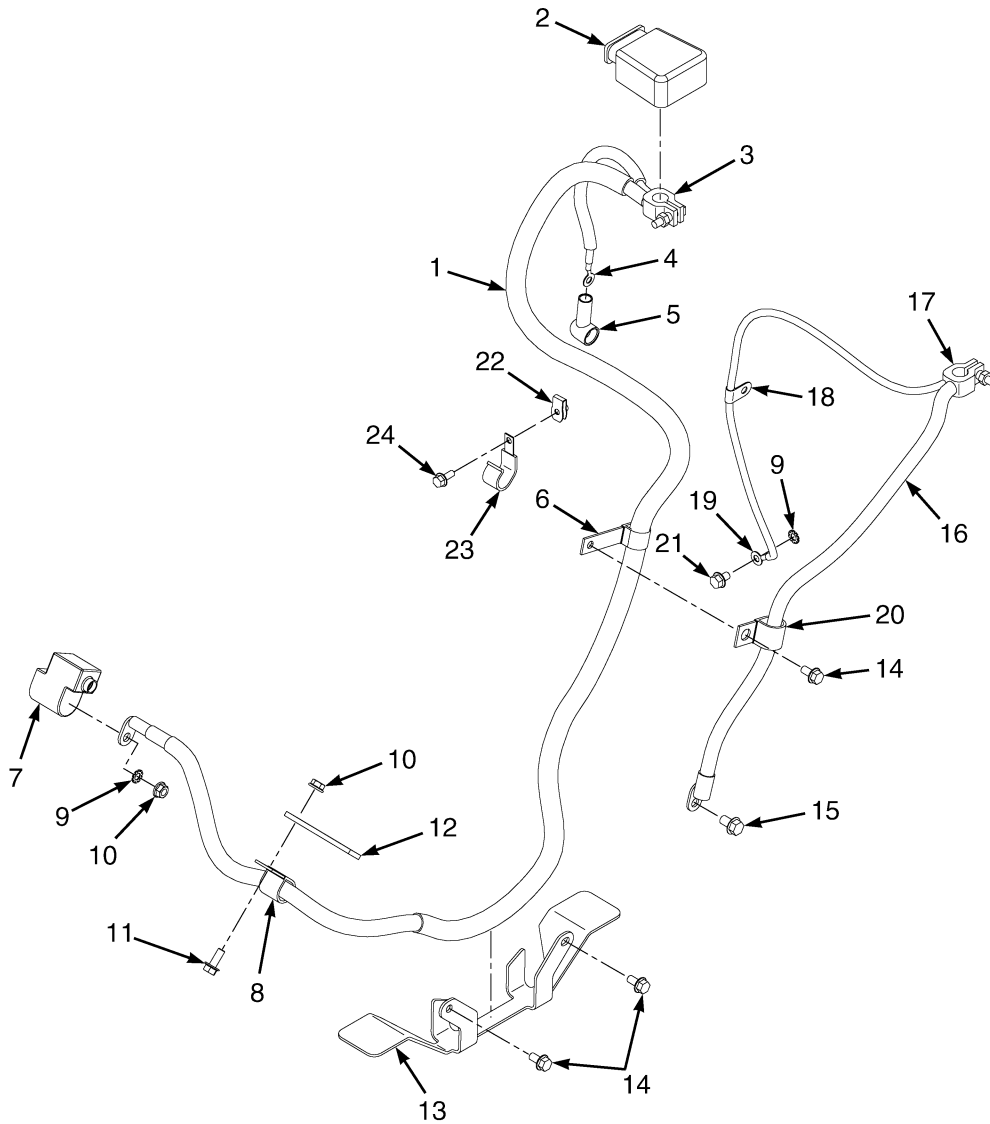


BP081480

**ENGINE ELECTRICAL SYSTEM
GM 4.3L LPG**

ITEM	PART NO.	DESCRIPTION	QTY
1	4040249	Wire Harness (Engine) (☞ Figure 5-36).....	1
2	1502061	Clamp	2
3	1561871	Clamp (Swivel)	2
4	1646457	Clip	3
5	1509890	Clip	1
6	1501970	Pressure Switch (Low Fuel)	1
7	4602843	Wire Harness (Adapter) (☞ Figure 5-32).....	1
8	1640531	Starter (☞ Figure 5-16).....	1
9	1543842	Clamp	1
10	1644398	Clamp (Swivel)	2
11	2094582	Wire Harness (Sealed Alternator)	1
12	1529257	Sensor (Air Flow Restriction)	1
12	16151	Fitting (Elbow)	1
13	1646456	Sensor (Oxygen)	2

BATTERY CABLES (FIGURE 5-9) GM 4.3L LPG

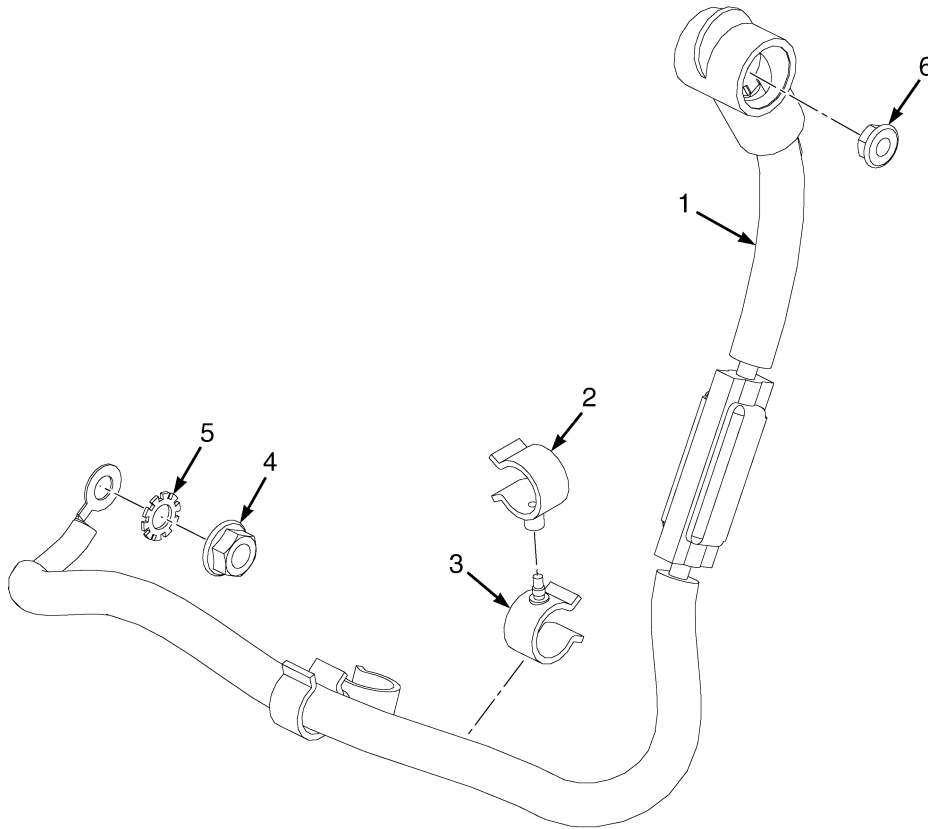


BP081221

BATTERY CABLES
GM 4.3L LPG

ITEM	PART NO.	DESCRIPTION	QTY
1	2072157	Battery Cable (Positive)	1
1	1357268	Battery Cable (Red)	AR
2	1536304	Boot	1
3	148792	Terminal	1
4	806426	E-Ring	1
5	1566146	Boot	1
6	1474893	Clamp	1
7	1590173	Boot	1
8	153070	Clamp	1
9	296380	Washer	2
10	1502543	Nut (Flange)	2
11	1527880	Capscrew	2
12	1682835	Spacer	1
13	1632294	Bracket (Battery Cable)	1
14	4109993		
	1527879	Capscrew	3
15	1309993	Screw	1
16	2093469	Battery Cable (Negative)	1
16	16078	Battery Cable	AR
17	148789	Terminal	1
18	1564044	E-Ring	1
19	806426	E-Ring	1
20	153070	Clamp	1
21	1529366	Capscrew	1
22	1566420	Nut (Foldover)	1
23	1628118	Clamp	1
24	1527876	Capscrew	1

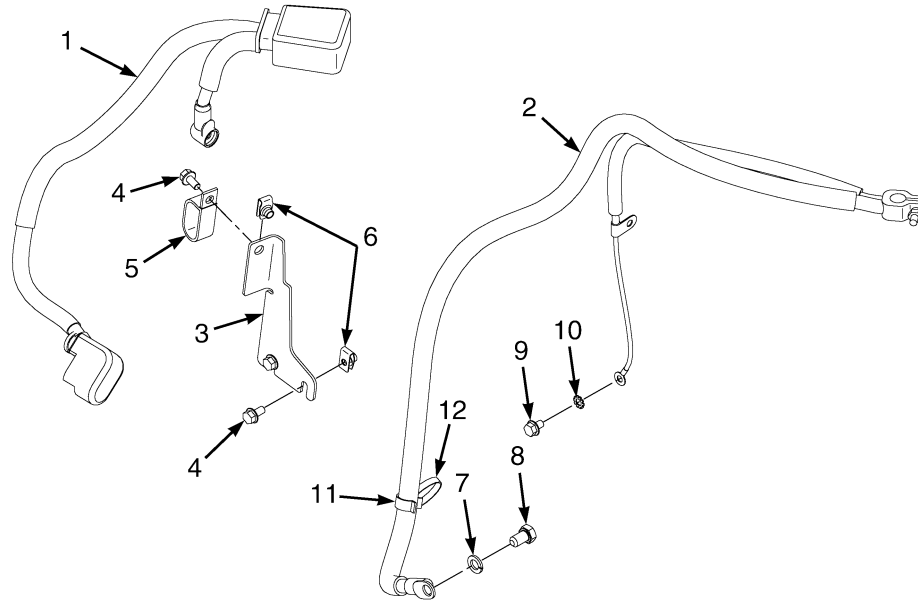
BATTERY CABLE (FIGURE 5-10) FUSED — KUBOTA 3.6L DIESEL



BP081286

ITEM	PART NO.	DESCRIPTION	QTY
1	4616862	Battery Cable	1
2	1606544	Clamp (Swivel)	2
3	1543698	Clamp (Swivel)	2
4	1502543	Nut (Flange)	1
5	296380	Washer	1
6	1514429	Nut	1

**BATTERY CABLES (FIGURE 5-11)
KUBOTA DIESEL**



BP081493

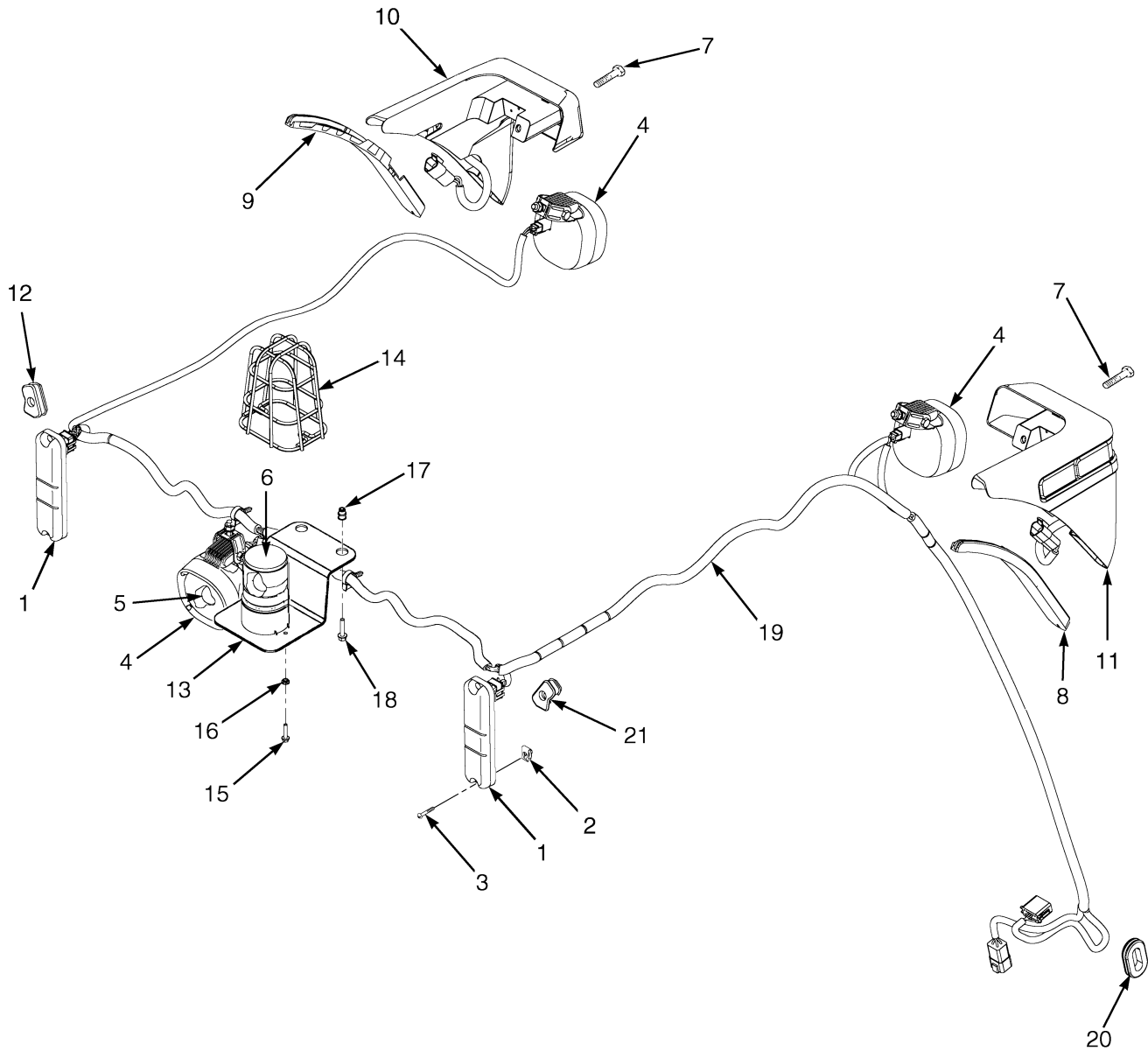
ITEM	PART NO.	DESCRIPTION	QTY
1	4612884	Battery Cable (Positive)	1
1	148792	Terminal	1
1	148798	Terminal	1
1	4045322	Ring Terminal	1
1	4610113	Ring Terminal	1
1	1536304	Boot	1
1	321158	Boot	1
1	1566146	Boot	1
1	4044099	Boot (Alternate)	1
1	4043195	Boot	1
1	1357266	Battery Cable (Red)	AR
1	1357268	Battery Cable (Red)	AR
1	1539153	Conduit	AR
2	4612885	Battery Cable (Negative)	1
2	16078	Battery Cable (Black)	AR
2	1357533	Wire-Bulk	AR
2	148789	Terminal	1
2	1616122	Terminal (Part not replaceable service with assembly)	1
2	148796	Terminal	1
2	1564044	E-Ring	1
2	275495	Conduit	AR
2	275497	Conduit	AR
2	806426	E-Ring	1
3	4027269	Bracket	1
4	4109993		
	1527879	Capscrew	3

ITEM	PART NO.	DESCRIPTION	QTY
5	251994	Clamp	1
6	1480237	Nut	3
7	292683	Lockwasher	1
8	4034828	Capscrew	1
9	1529366	Capscrew	1
10	296380	Washer	1
11	a 1502053	Clamp (Swivel)	1
12	a 1502061	Clamp	1

FOOTNOTES:

a With Gear Pump

LIGHTS (FIGURE 5-12) BRAKE, TAIL, BACKUP, SIDE, TURN SIGNALS, WORK, STROBE — WITH OVERHEAD GUARD



BP081217

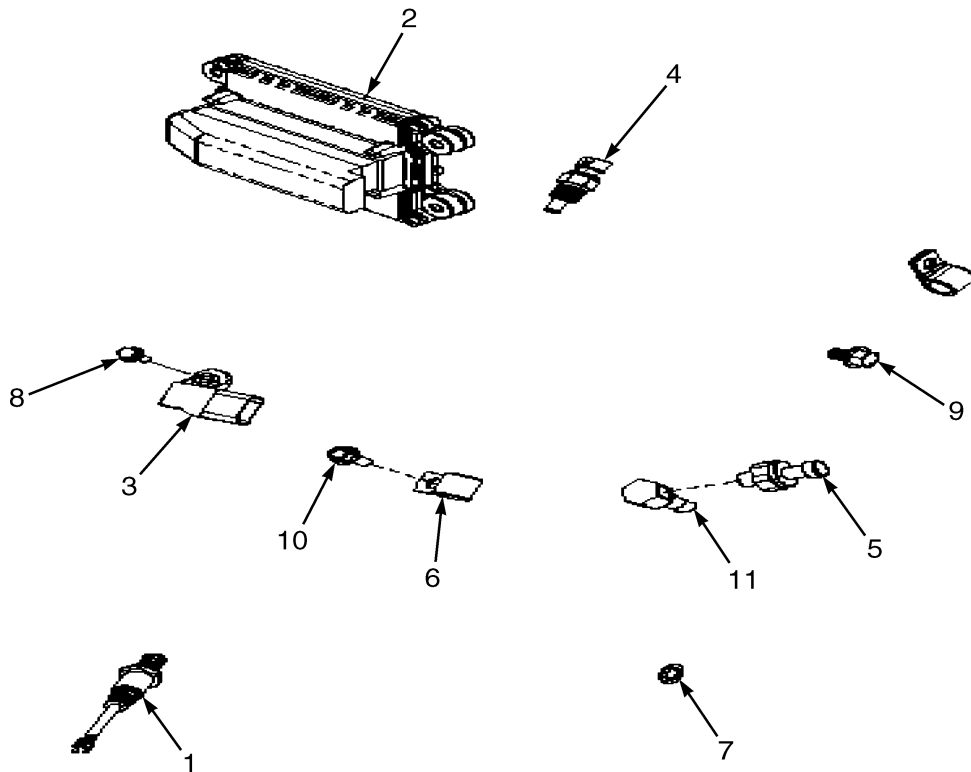
LIGHTS**BRAKE, TAIL, BACKUP, SIDE, TURN SIGNALS, WORK, STROBE – WITH OVERHEAD GUARD**

ITEM	PART NO.	DESCRIPTION	QTY
1	2056824	Brake/Backup Light (Stop, Turn, Tail, And Back-Up)	2
2	1537551	Nut (Clip)	2
3	1565125	Screw	2
4	2098083	Work Light (Rear) (Halogen)	1
4	2107382	Worklight (Rear) (LED) (LED)	1
4	2098086	Work Light (RH Front) (Halogen)	1
4	2107385	Head/Work Light (RH Front) (LED)	1
4	2098087	Work Light (LH Front) (Halogen)	1
4	2107386	Head/Work Light (LH Front) (LED)	1
5	2098082	Bulb (Halogen)	1
6	1654013	Strobe Light Assembly	1
7	1608654	Capscrew	4
8	1608589	Trim (Right Hand)	1
9	1608590	Trim (Left Hand)	1
10	2070562	Turn Signal Light (LH Front)	1
10	2070563	Cap (Black Plastic)	2
10	1493466	Connector (3-Way)	1
10	1330415	Connector (Secondary Lock)	1
10	1330437	Terminal (Pin)	3
11	2070561	Turn Signal Light (RH Front)	1
11	2070563	Cap (Black Plastic)	2
11	1493466	Connector (3-Way)	1
11	1330415	Connector (Secondary Lock)	1
11	1330437	Terminal (Pin)	3
12	1560448	Grommet (Left Hand Tail Light)	1
13	1565076	Bracket Wldmt	1
14	1302024	Guard (Strobe Light)	1
15	1586759	Capscrew	2
16	1586428	Nut	2
17	1531001	Insert	2
18	1586495	Capscrew	2
19	2101862	Wire Harness (Lights) (☞ Figure 5-39).....	1
20	1539584	Grommet (Vehicle System Manager)	1
21	1560447	Grommet (Right Hand Tail Light)	1

LIGHTS
BRAKE, TAIL, BACKUP, SIDE, TURN SIGNALS, WORK, STROBE – WITH CAB

ITEM	PART NO.	DESCRIPTION	QTY
1	2056824	Brake/Backup Light (Stop, Turn, Tail, And Back-Up)	2
1	2107957	Tail Light Base (RH) (Not Shown)	1
1	2107958	Tail Light Base (LH) (Not Shown)	1
2	1537551	Nut (Clip)	2
3	1565125	Screw	2
4	1654013	Strobe Light Assembly	1
5	2098083	Work Light (Rear) (Halogen)	1
5	2107382	Worklight (Rear) (LED)	1
6	2098082	Bulb (Halogen)	1
7	1586428	Nut	2
8	1586759	Capscrew	2
9	1565076	Bracket Wldmt	1
10	1586495	Capscrew	2
11	1532775	Clip	1
12	1532759	Clip	1
13	1586495	Capscrew	2
14	1698541	Bracket	1
15	1302024	Guard (Strobe Light)	1
16	1608592	Trim (LH)	1
17	2070562	Turn Signal Light (LH Front)	1
18	1613324	Capscrew	4
19	1530243	Insert	4
20	1583611	Capscrew	4
21	1698542	Bracket	2
22	2098084	Work Light (RH Front) (Halogen)	1
22	2107383	Worklight (RH Front) (LED)	1
22	2098085	Work Light (LH Front) (Halogen)	1
22	2107384	Worklight (LH Front) (LED)	1
23	2070561	Turn Signal Light (RH Front)	1
24	1608591	Trim (RH)	1
25	1623382	Wire Harness	1
25	2044712	Relay (30 Amp)	1

ENGINE CONTROL MODULE AND SENSORS (FIGURE 5-14) GM 4.3L LPG



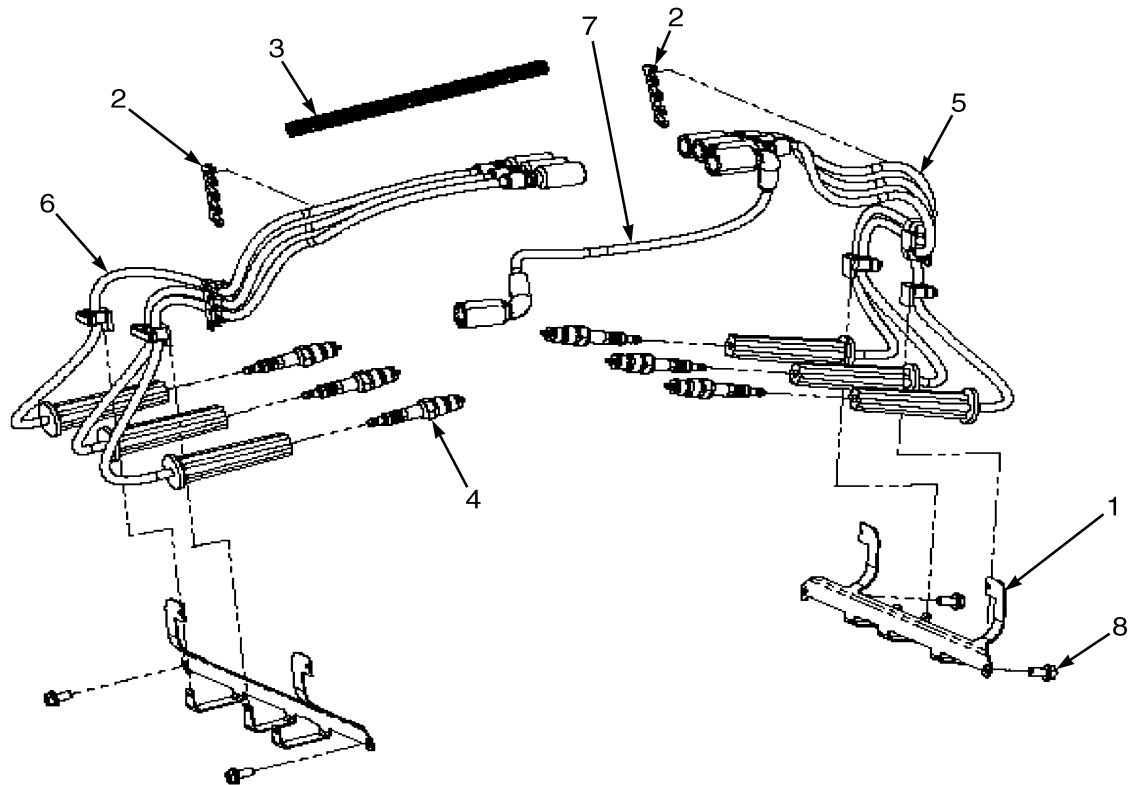
BP090463

ITEM	PART NO.	DESCRIPTION	QTY
1	1646456	Sensor (Oxygen)	2
2	4040286	Engine Control Module (With Catalytic Converter)	1
2	4040287	Engine Control Module (Without Catalytic Converter)	1
3	1559567	Sensor (Temperature manifold absolute pressure) (T-Map)	1
4	4019046		
	1314381	Temperature Sender (Coolant)	1
5	4019047		
	4104443	Pressure Sender (Oil Pressure)	1
6	128408	Clamp	2
7	4019050	Washer	1
8	1527876	Capscrew	1
9	221493	Capscrew	2
10	148818	Capscrew	1
11	4019052	Fitting	1
	a 4040249	Wire Harness	1

FOOTNOTES:

a Not Illustrated

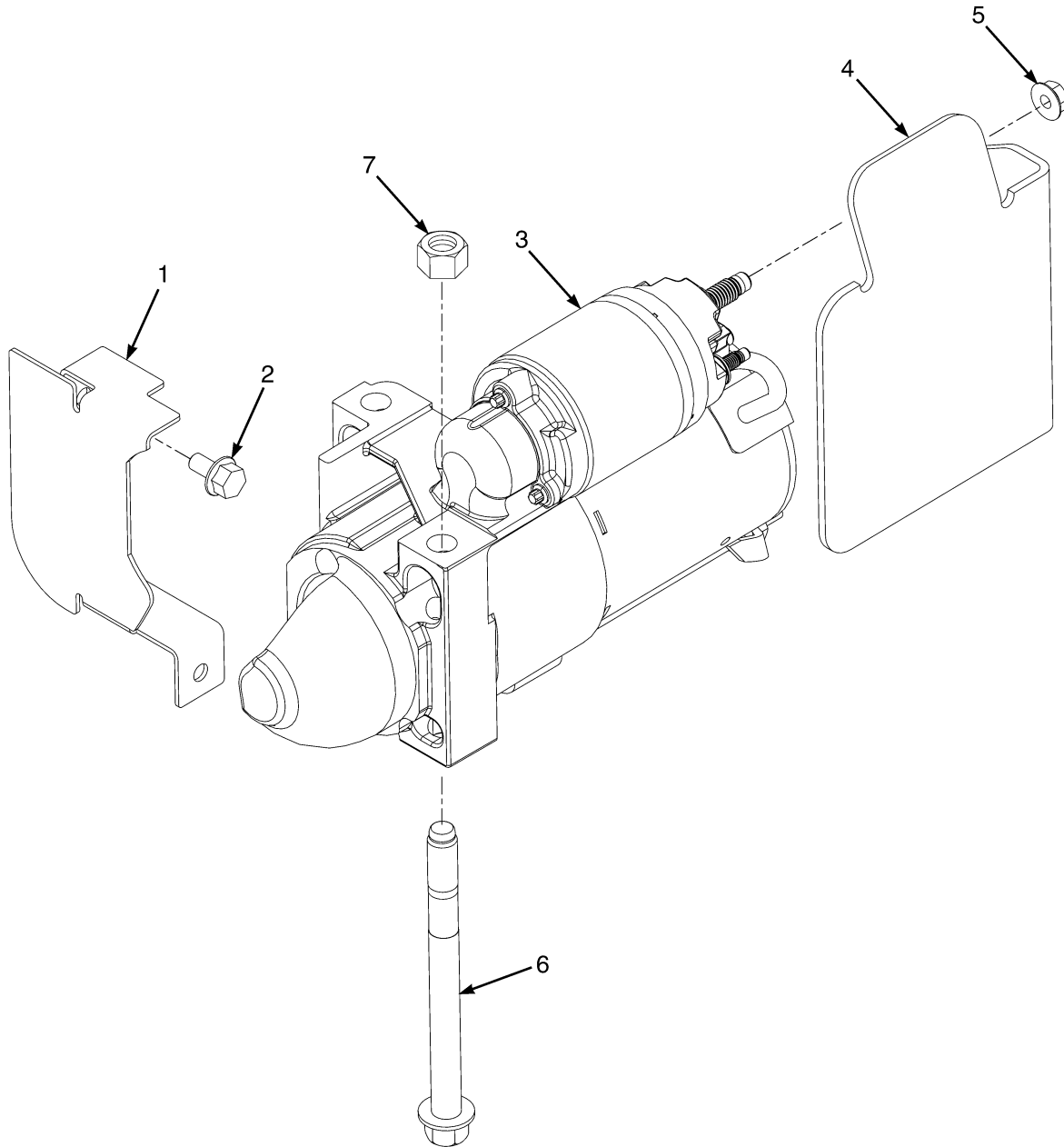
**SPARK PLUGS AND WIRES (FIGURE 5-15)
GM 4.3L LPG**



BP090464

ITEM	PART NO.	DESCRIPTION	QTY
1	1564035	Bracket	2
2	4019061	Separator	2
3	4040251	Conduit	AR
4	1452376	Spark Plug	6
5	Spark Plug Harness (RH)	1
6	Spark Plug Harness (LH)	1
7	Coil Wire	1
8	221416	Capscrew	4
	2088997	Kit-Ignition Cable (Spark Plug Wires and Coil Wire)	1
	4040249	Wire Harness (Engine) (☞ Figure 5-36).....	1

STARTER (FIGURE 5-16) GM 4.3L LPG

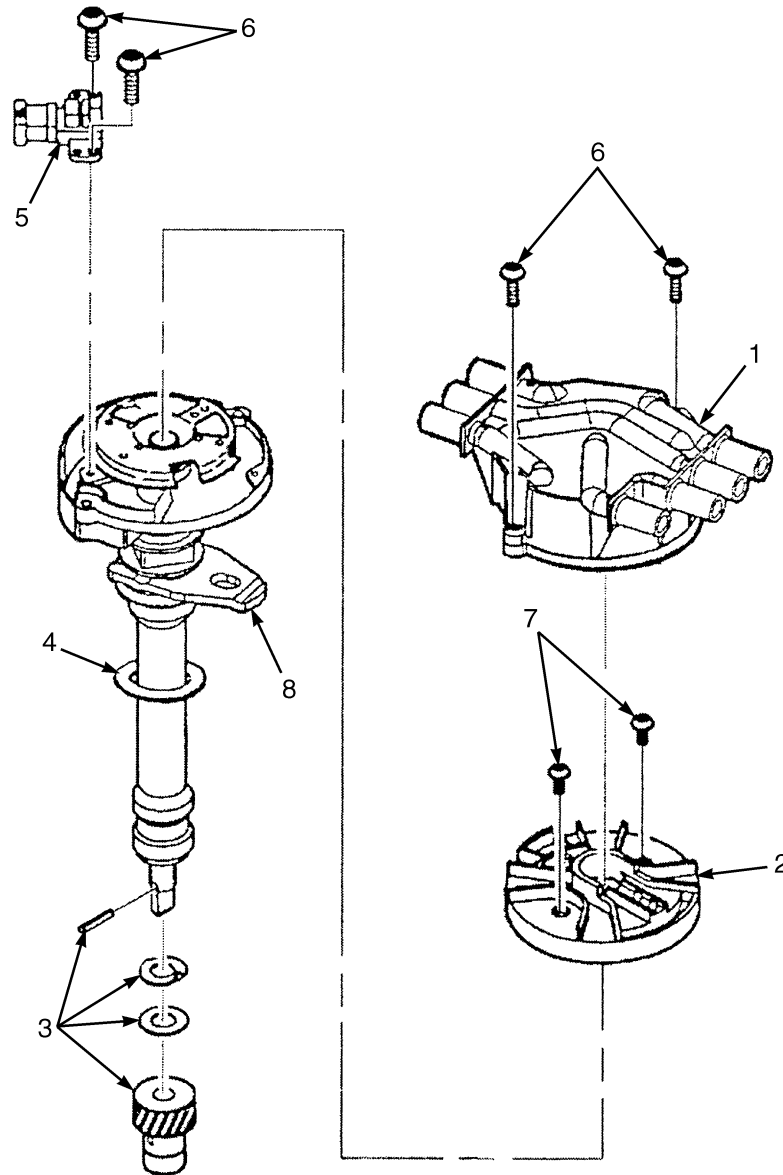


BP081163

**STARTER
GM 4.3L LPG**

ITEM	PART NO.	DESCRIPTION	QTY
1	2109666	Dust Shield	1
2	1463910	Capscrew	2
3	1640531	Starter	1
4	1640818	Bracket (Heat Shield)	1
5	264148	Nut	2
6	1677876	Bolt	2
7	292668	Nut	1

DISTRIBUTOR ASSEMBLY (FIGURE 5-17) GM 4.3L LPG



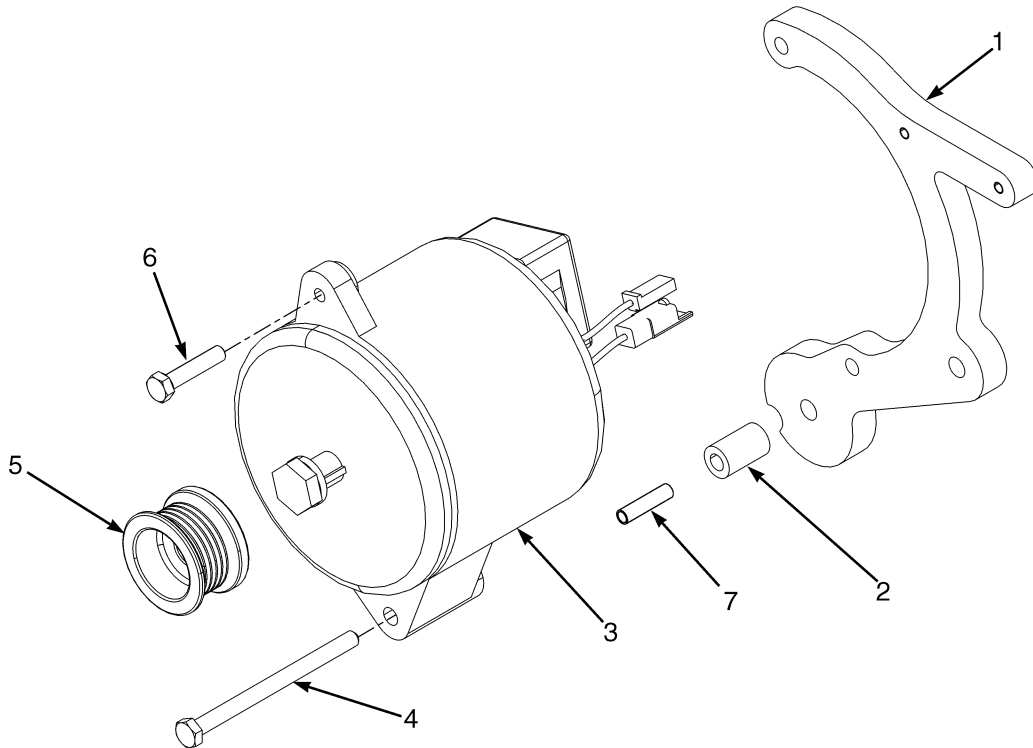
BP080184

ITEM	PART NO.	DESCRIPTION	QTY
	1559695	Distributor Assembly	1
1	1566458	Distributor Cap	1
2	1566459	Rotor	1
3	1559922	Kit-Gear	1
4	1334423	Gasket	1
5	1559923	Sensor (Cam)	1
6	1559924	Screw	4
7	1559925	Screw	2
8	1335497	Clamp	1
a	1358504	Bolt (Adjustment Bolt)	1

FOOTNOTES:

- a** Not Illustrated

ALTERNATOR (FIGURE 5-18) SEALED — GM4.3L LPG



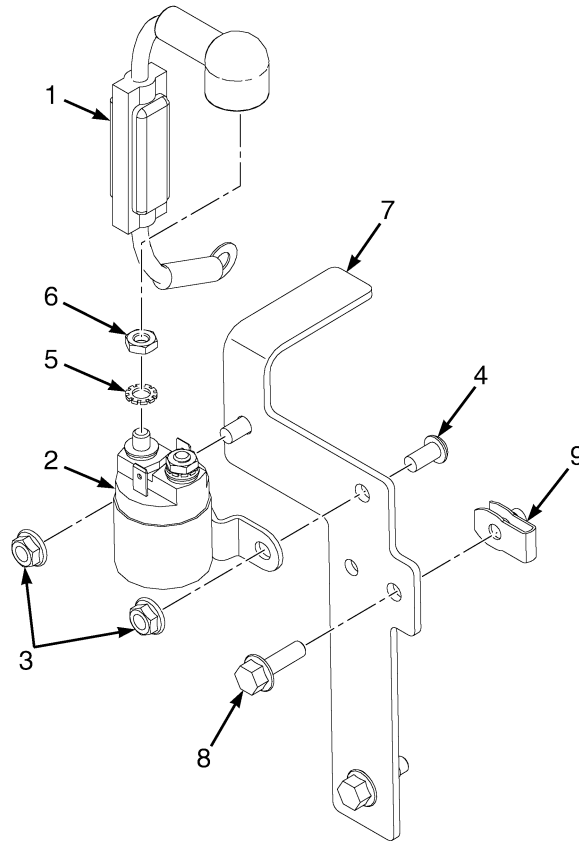
BP080487

ITEM	PART NO.	DESCRIPTION	QTY
1	1636862	Bracket (Alternator, Sealed)	1
2	1554815	Spacer	1
3	1394001	Alternator (Sealed)	1
4	1307994	Capscrew	1
5	1532255	Pulley	1
6	18508	Capscrew	1
7	1537422	Spacer	1
	a 302409	Nut	1

FOOTNOTES:

a Not Illustrated

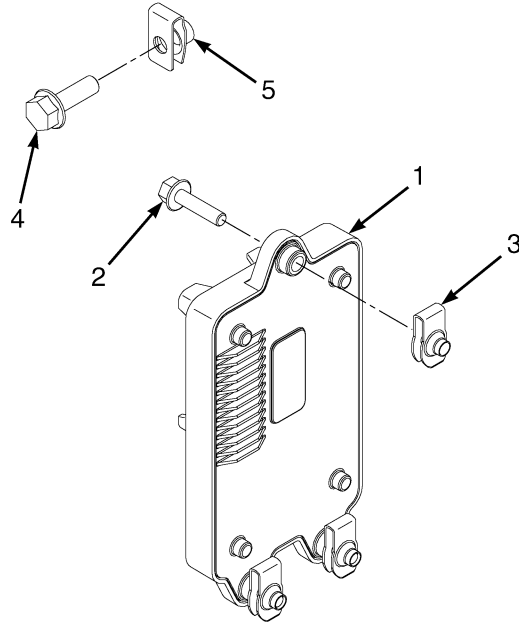
**RELAY (FIGURE 5-19)
KUBOTA DIESEL**



BP081287

ITEM	PART NO.	DESCRIPTION	QTY
1	4612882	Battery Cable	1
2	1454967	Relay (Starter or Glow Plug)	1
3	1514429	Nut	2
4	296158	Capscrew	2
5	296379	Washer	2
6	1560678	Nut	2
7	4026759	Bracket	1
8	1527877	Capscrew	2
9	1566420	Nut (Foldover)	2

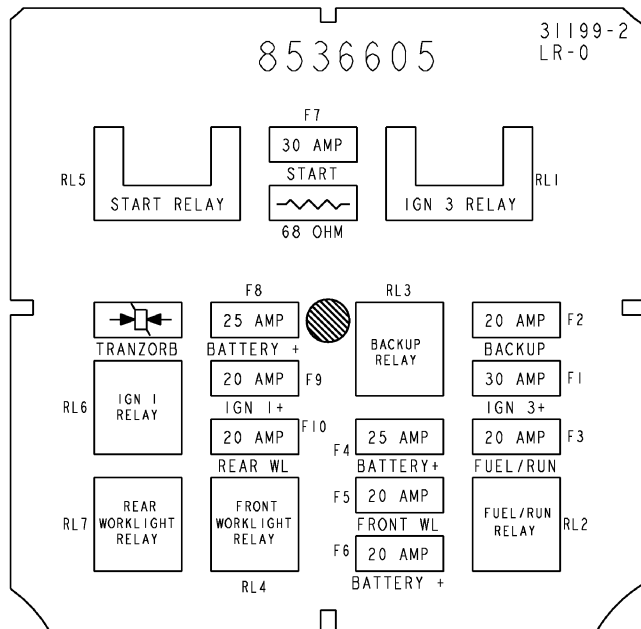
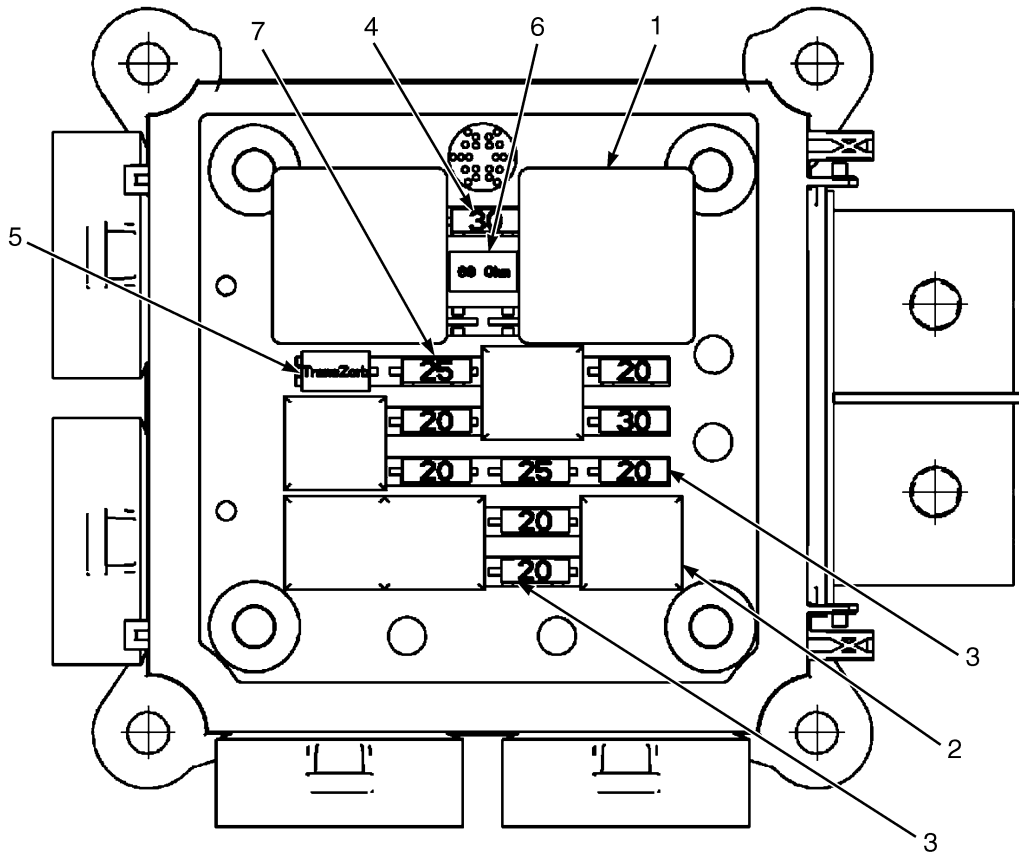
CONTROL MODULE (FIGURE 5-20) DIESEL INTERFACE — KUBOTA V3800



BP081228

ITEM	PART NO.	DESCRIPTION	QTY
1	4612918	Control Module	1
2	1586495	Capscrew	3
3	1566420	Nut (Foldover)	3
4	1510113	Capscrew	4
5	1480237	Nut	4

POWER DISTRIBUTION MODULE (FIGURE 5-21)



BP080485

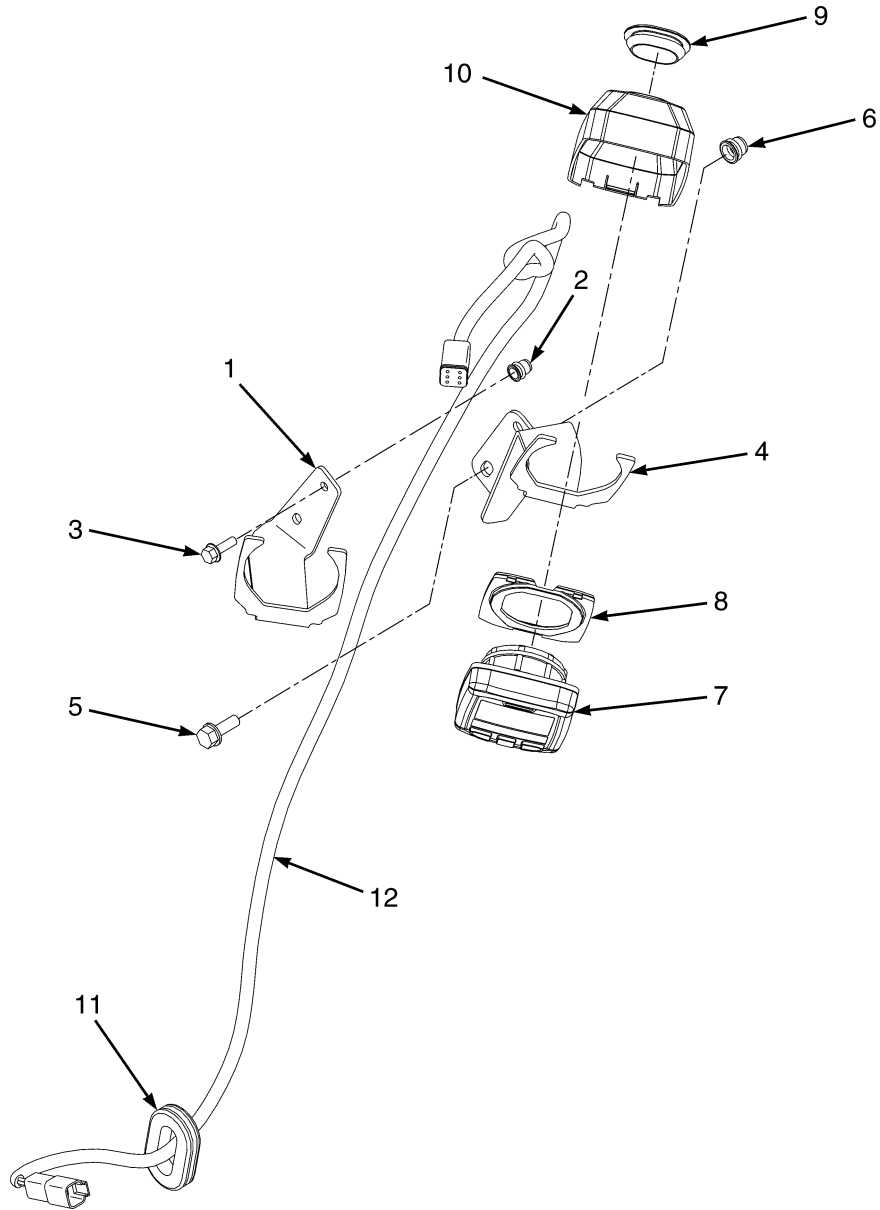
POWER DISTRIBUTION MODULE

ITEM	PART NO.	DESCRIPTION	QTY
	2090613	Fuse Box (PDM)	1
1	2044712	Relay (30 Amp)	2
2	1528315	Relay (20 Amp)	5
3	1528132	Fuse (20 Amp)	6
4	1528133	Fuse (30 Amp)	2
5	1528630	Semiconductor	1
6	1528631	Resistor (68 Ohm, 5 Watt)	1
7	1544255	Fuse (25 Amp)	2
	a 4046933	Fuse Box Cover	1

FOOTNOTES:

a Not Illustrated

DPF DISPLAY (FIGURE 5-22) 3.8L KUBOTA DIESEL



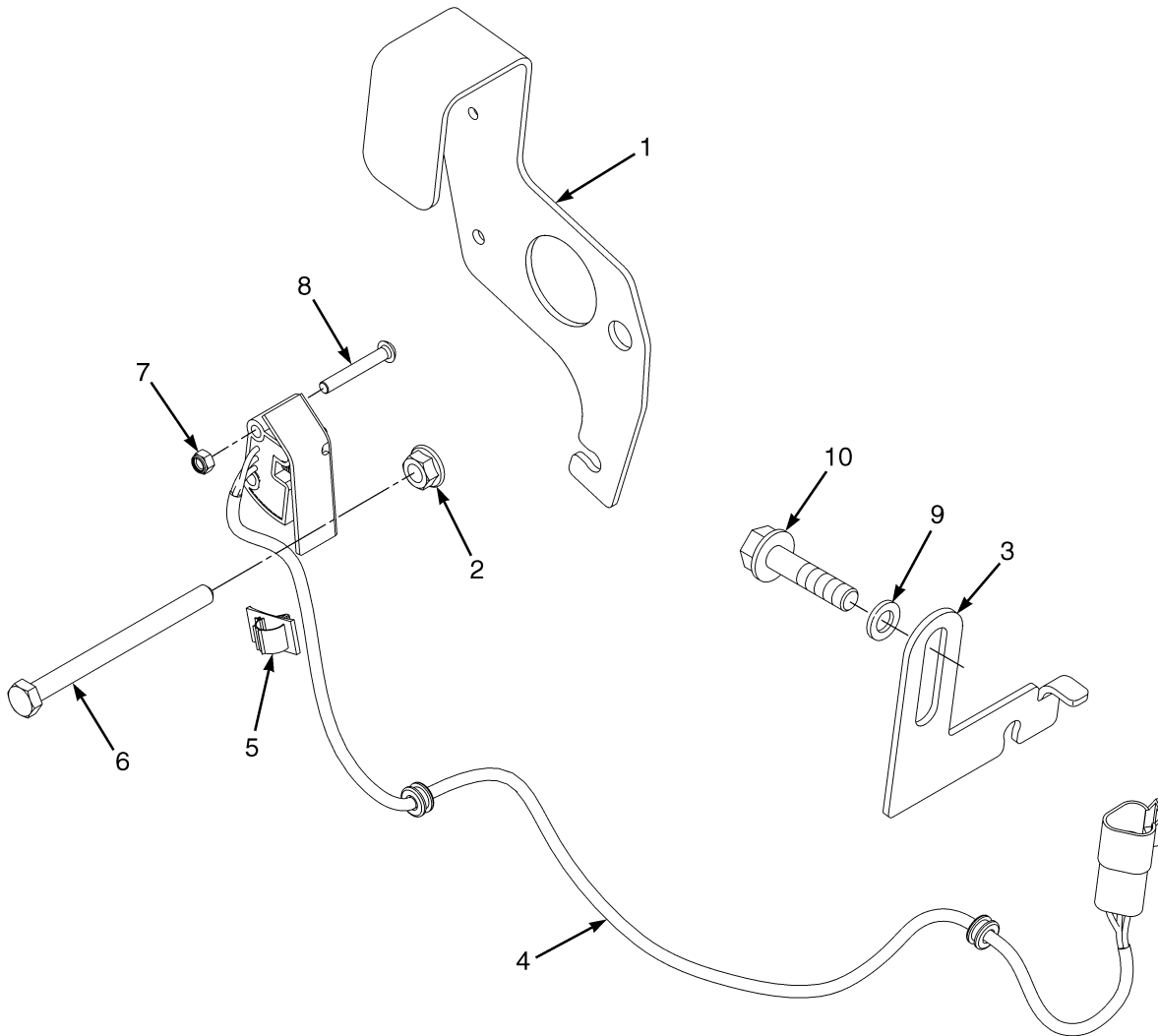
BP081462

**DPF DISPLAY
3.8L KUBOTA DIESEL**

ITEM	PART NO.	DESCRIPTION	QTY
1	b 4033058 4056988	Bracket (With Overhead Guard)	1
2	b 1531558	Insert	2
3	b 1527877	Capscrew	2
4	a 4036497 4056983	Bracket (With Cab)	1
5	a 1510113	Capscrew	2
6	a 1531557	Insert	2
7	4033055 4642932	Display	1
8	4033057	Base	1
9	4601386	Grommet	1
10	4033056	Cover	1
11	1539584	Grommet	1
12	4614617	Wire Harness (DPF Display) (☞ Figure 5-51).....	1

FOOTNOTES:**a** With Cab**b** With Overhead Guard

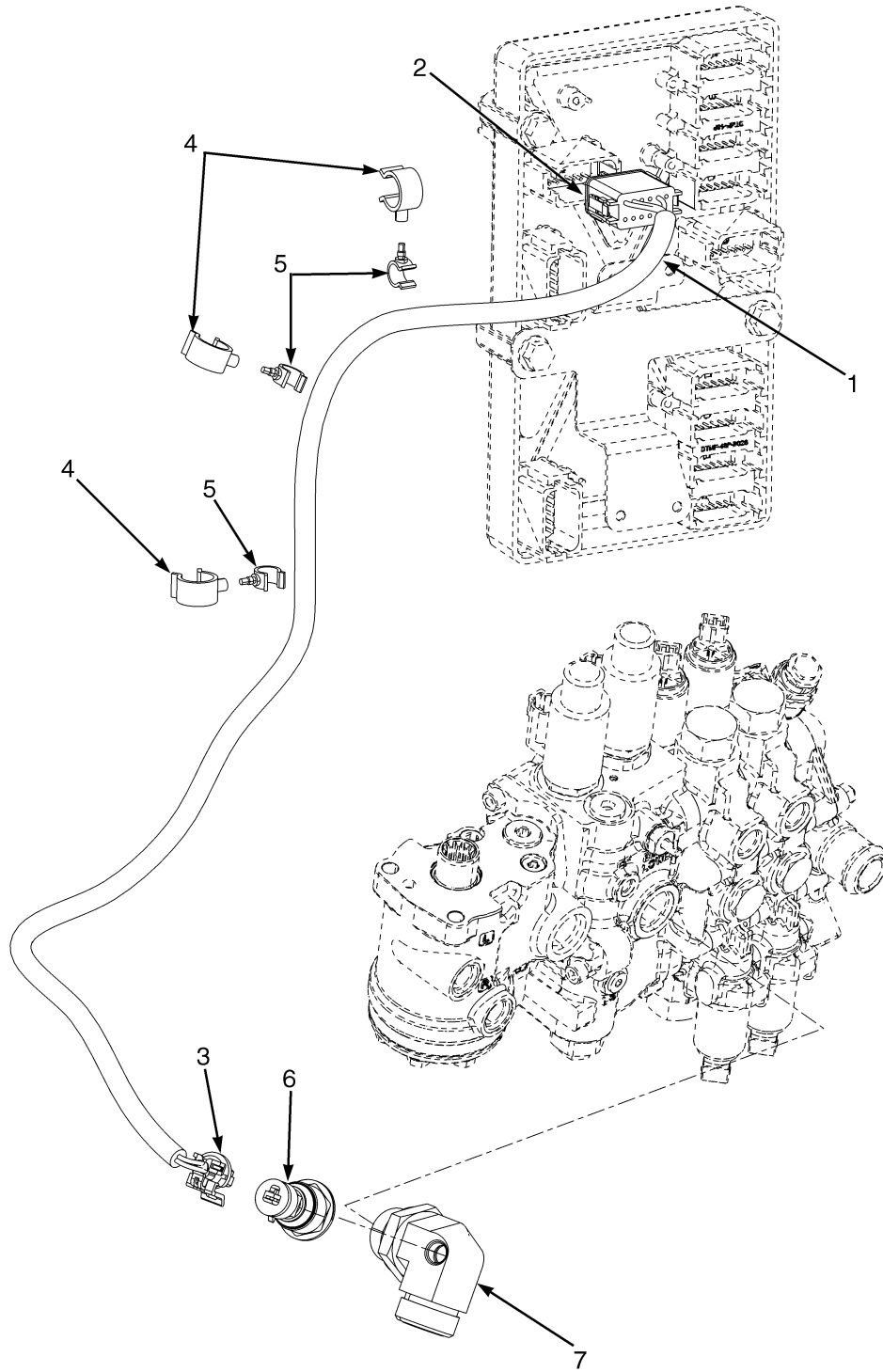
MAST TILT SENSOR (FIGURE 5-23)



BP080399

ITEM	PART NO.	DESCRIPTION	QTY
1	1625255	Bracket	1
2	1586430	Nut	1
3	1595731	Bracket	1
4	1595234	Sensor (Mast Tilt Position)	1
5	1562088	Clip	1
6	1597451	Capscrew	1
7	302398	Locknut	2
8	1553897	Capscrew	2
9	1626478	Washer	1
10	1658075	Capscrew	1

LOAD WEIGH ELECTRICAL (FIGURE 5-24)

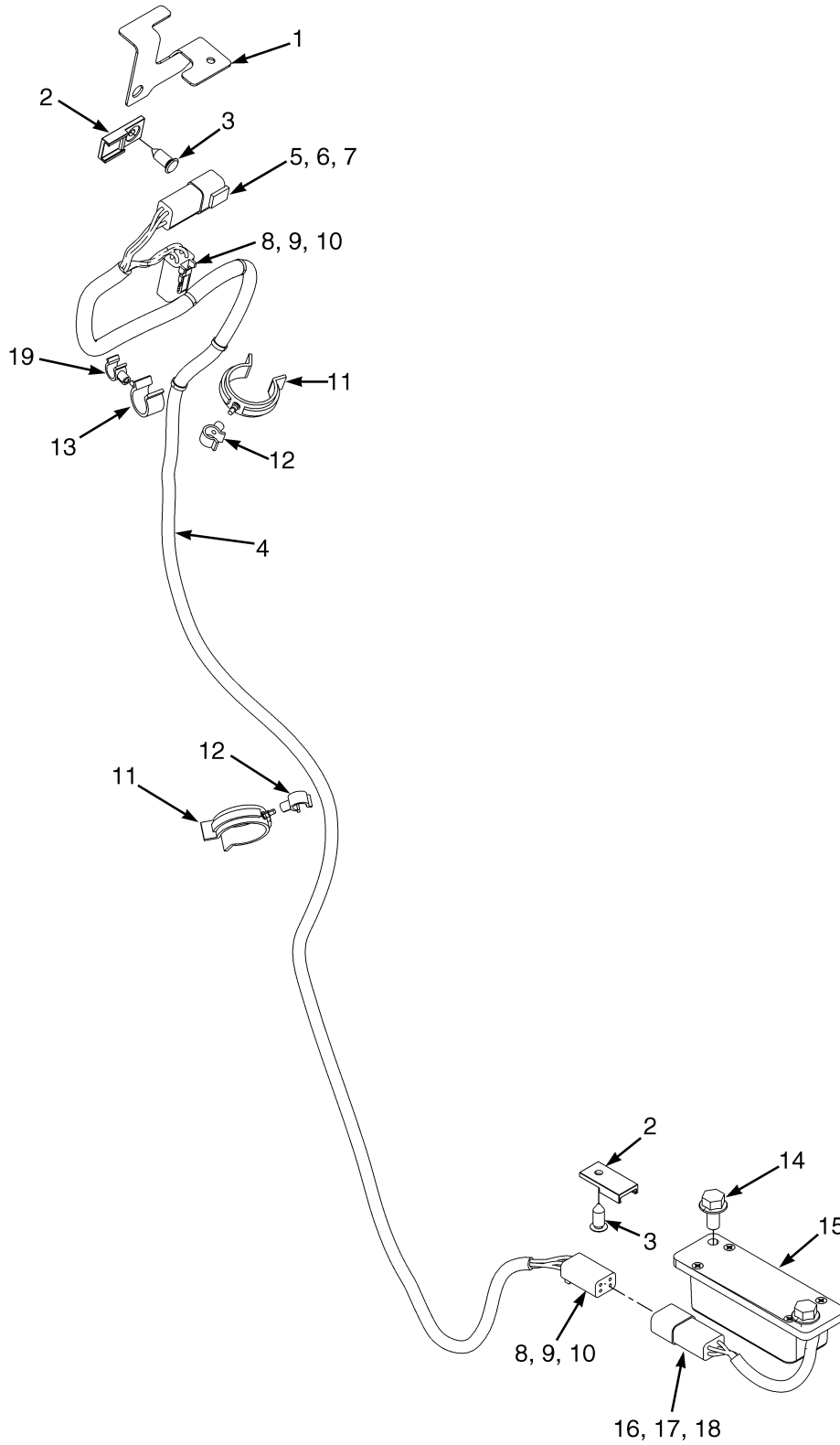


BP080413

LOAD WEIGH ELECTRICAL

ITEM	PART NO.	DESCRIPTION	QTY
1	2079326	Wire Harness (Load Weigh)	1
2	1525565	Connector	1
2	1500913	Connector (Secondary Lock)	1
2	1330438	Terminal (Socket)	3
2	1484377	Plug	9
3	1603021	Connector	1
3	1603236	Connector (Secondary Lock)	1
3	1548517	Terminal (Socket)	3
3	1548519	Seal	3
4	1606544	Clamp (Swivel)	3
5	1573549	Clamp	3
6	1606735	Sensor (Load Sensing)	1
7	1648259	Fitting	1

IMPACT SENSOR (FIGURE 5-25)

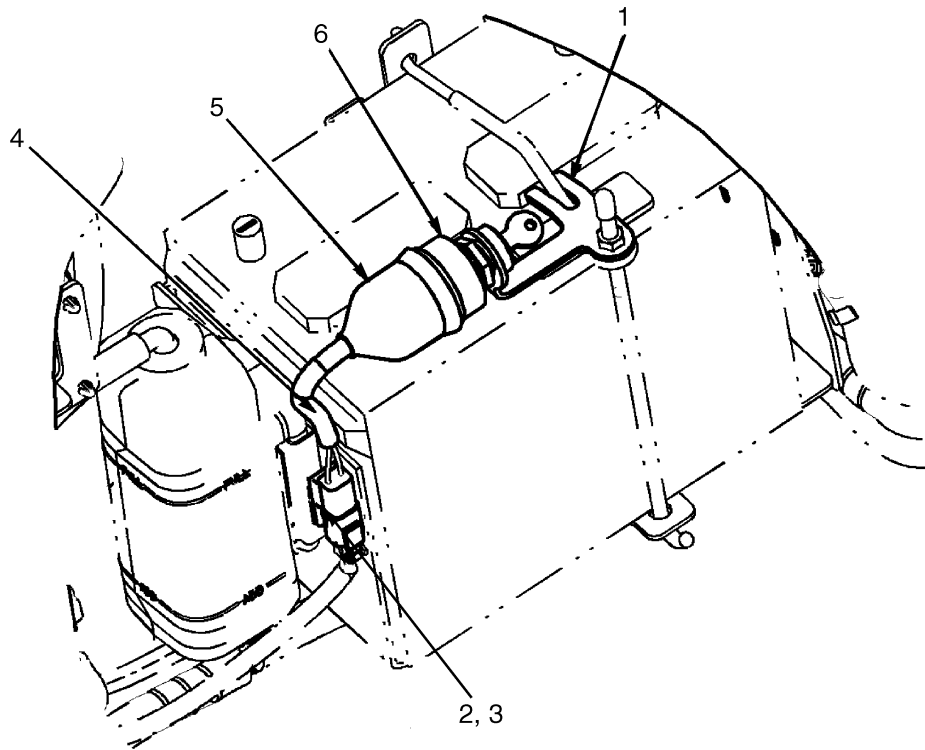


BP080394

IMPACT SENSOR

ITEM	PART NO.	DESCRIPTION	QTY
1	1535166	Bracket	1
2	1500912	Clip	2
3	1582464	Fastener	2
3	2100710	Fastener (Alternate Part)	1
4	2079281	Wire Harness (Impact Sensor)	1
5	1489655	Connector (4 Way)	1
6	1330416	Connector (Secondary Lock)	1
7	1330437	Terminal (Pin)	4
8	1489656	Connector (4-Way)	2
9	1489657	Connector (Secondary Lock)	2
10	1330438	Terminal (Socket)	8
11	1561759	Clamp (Swivel)	2
12	1542439	Clamp (Swivel)	2
13	1502055	Clamp (Swivel)	1
14	287851	Capscrew	2
14	320157	Washer (Alternate Part)	2
15	2079843	Sensor (Impact)	1
16	1489655	Connector (4 Way)	1
17	1330416	Connector (Secondary Lock)	1
18	1330433	Terminal	4
19	1502053	Clamp (Swivel)	1

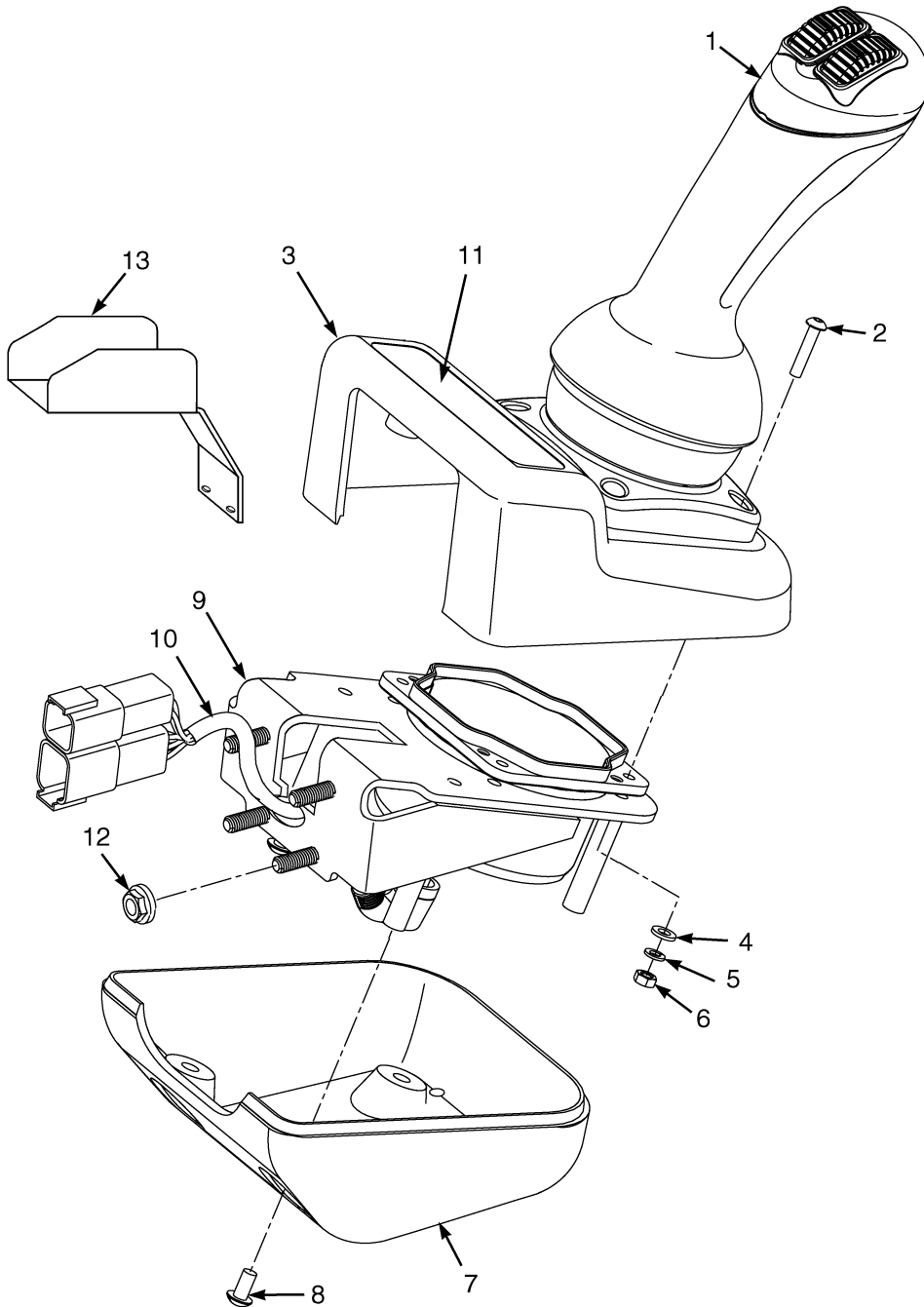
REMOTE KEY SWITCH (FIGURE 5-26)



BP080556

ITEM	PART NO.	DESCRIPTION	QTY
1	1582337	Bracket	1
2	1500912	Clip	1
3	1582464	Fastener	1
4	2058110	Wire Harness (Remote Keyswitch)	1
4	1493465	Connector (2 Pin)	1
4	1330414	Connector (Secondary Lock)	1
4	1330437	Terminal (Pin)	2
4	1521309	Connector Body	2
5	190380	Boot	1
6	2058111	Ignition Switch	1

JOYSTICK (FIGURE 5-27) (→ 4/2014)

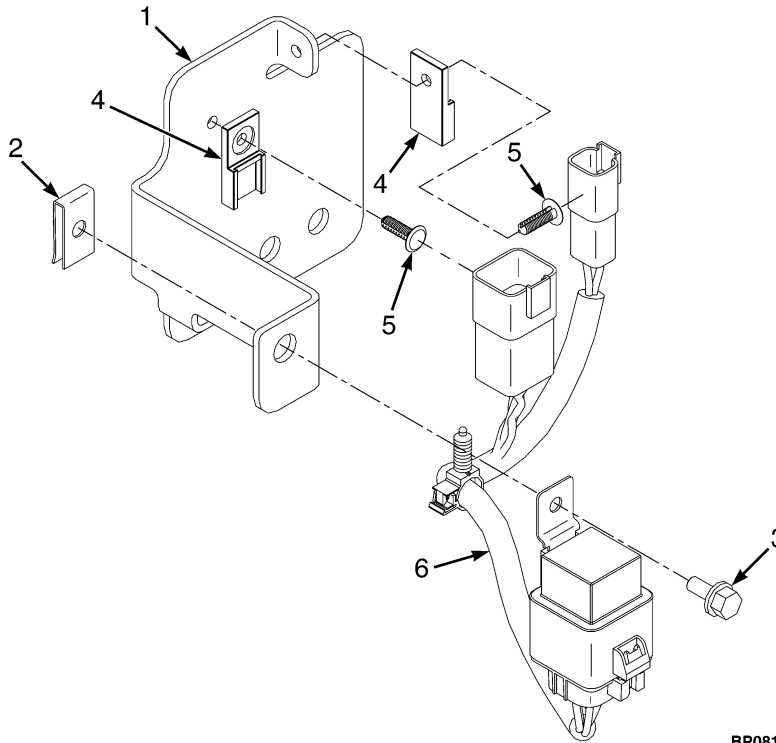


BP150080

JOYSTICK
(→ 4/2014)**KEY:****A: Three Function****B: Four Function**

ITEM	PART NO.	DESCRIPTION	QTY	
			A	B
	4601794	Joystick (Three Function) (Without Interlock)	1	..
	4601796	Joystick (Three Function) (With Interlock)	1	..
	4601795	Joystick (Four Function) (Without Interlock)	1
	4601797	Joystick (Four Function) (With Interlock)	1
1	4601802	Joystick (Three Function) (Without Interlock)	1	..
1	4601804	Joystick (Three Function) (With Interlock)	1	..
1	4601803	Joystick (Four Function) (Without Interlock)	1
1	4601805	Joystick (Four Function) (With Interlock)	1
2	1598283	Screw	4	4
3	1550647	Housing (Upper)	1	1
4	320154	Washer	4	4
5	292678	Lockwasher	4	4
6	292667	Nut	4	4
7	1550646	Housing (Lower)	1	1
8	2062718	Capscrew	6	6
9	1552107	Bracket	1	1
10	2084703	Wire Harness (Joystick)	1	1
10	1530960	Connector	1	1
10	1530961	Connector (Secondary Lock)	1	1
10	1550495	Connector	1	1
10	1532904	Connector	1	1
10	4046140	Connector	1	1
	1463193	Connector (Secondary Lock)	1	1
11	Label	1	1
12	1514429	Nut	4	4
13	1579847	Bracket	1	1

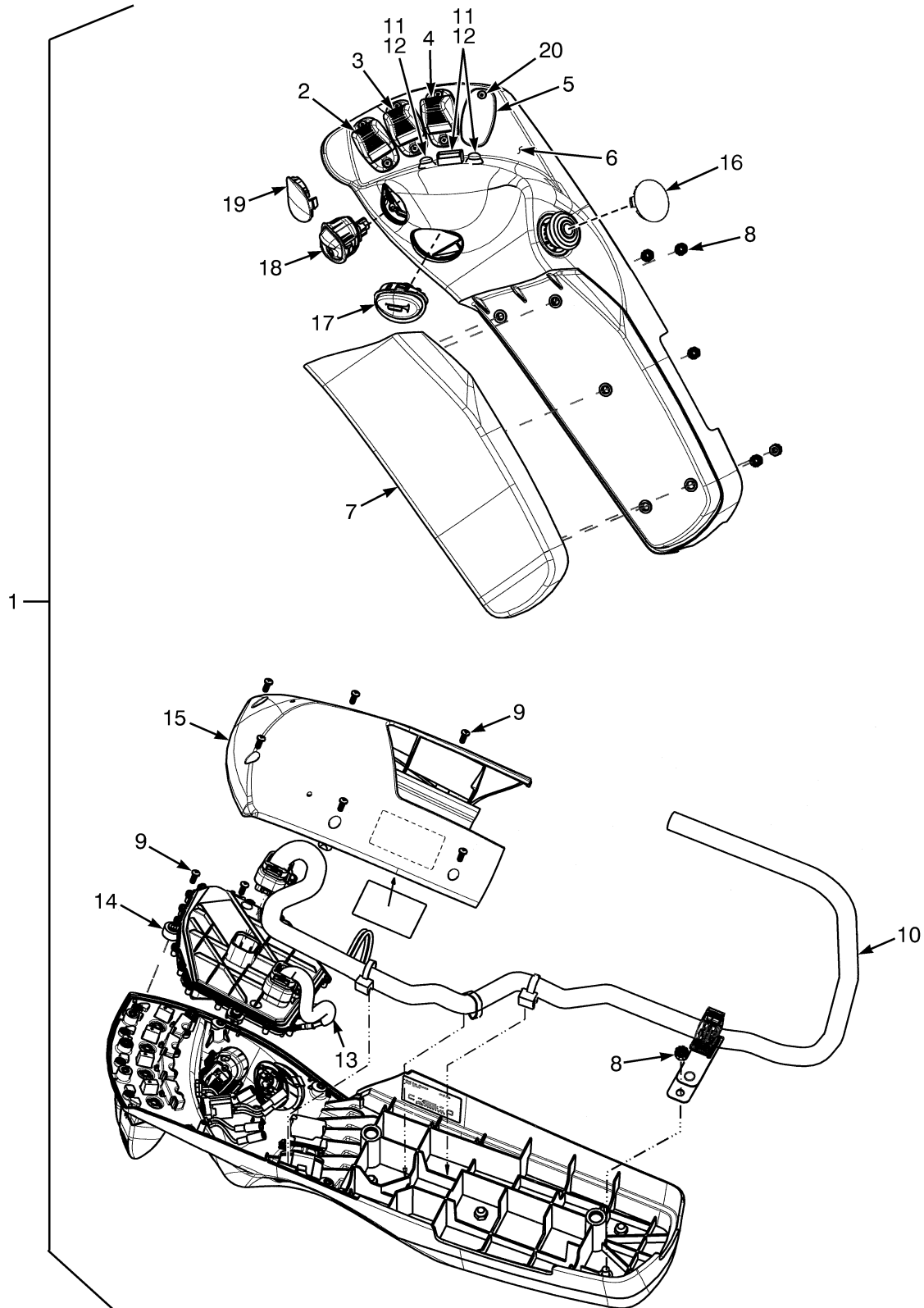
SEAT BELT SWITCH ADAPTER (FIGURE 5-28) (4/2014 →)



BP081698

ITEM	PART NO.	DESCRIPTION	QTY
1	4083052	Bracket	1
2	1566420	Nut (Foldover)	1
3	1693371	Capscrew	1
4	1500912	Clip	2
5	1582464	Fastener	2
6	4629813	Wire Harness (Seat Belt Switch Adapter)	1
6	1493465	Connector (2 Pin) (Seat Belt Switch Harness)	1
6	1330414	Connector (Secondary Lock)	1
6	1363885	Terminal (Pin)	2
6	4047669	Connector (RH Chassis)	1
6	1514598	Connector (Secondary Lock) (Lock)	1
6	866401	Terminal	4
6	4030503	Connector (Relay)	1
6	1330283	Terminal	4
6	1323581	Plug	1
6	4039364	Relay (With Diode)	1

MINI-LEVER CONTROLS (FIGURE 5-29) WITH ARMREST — THREE FUNCTION



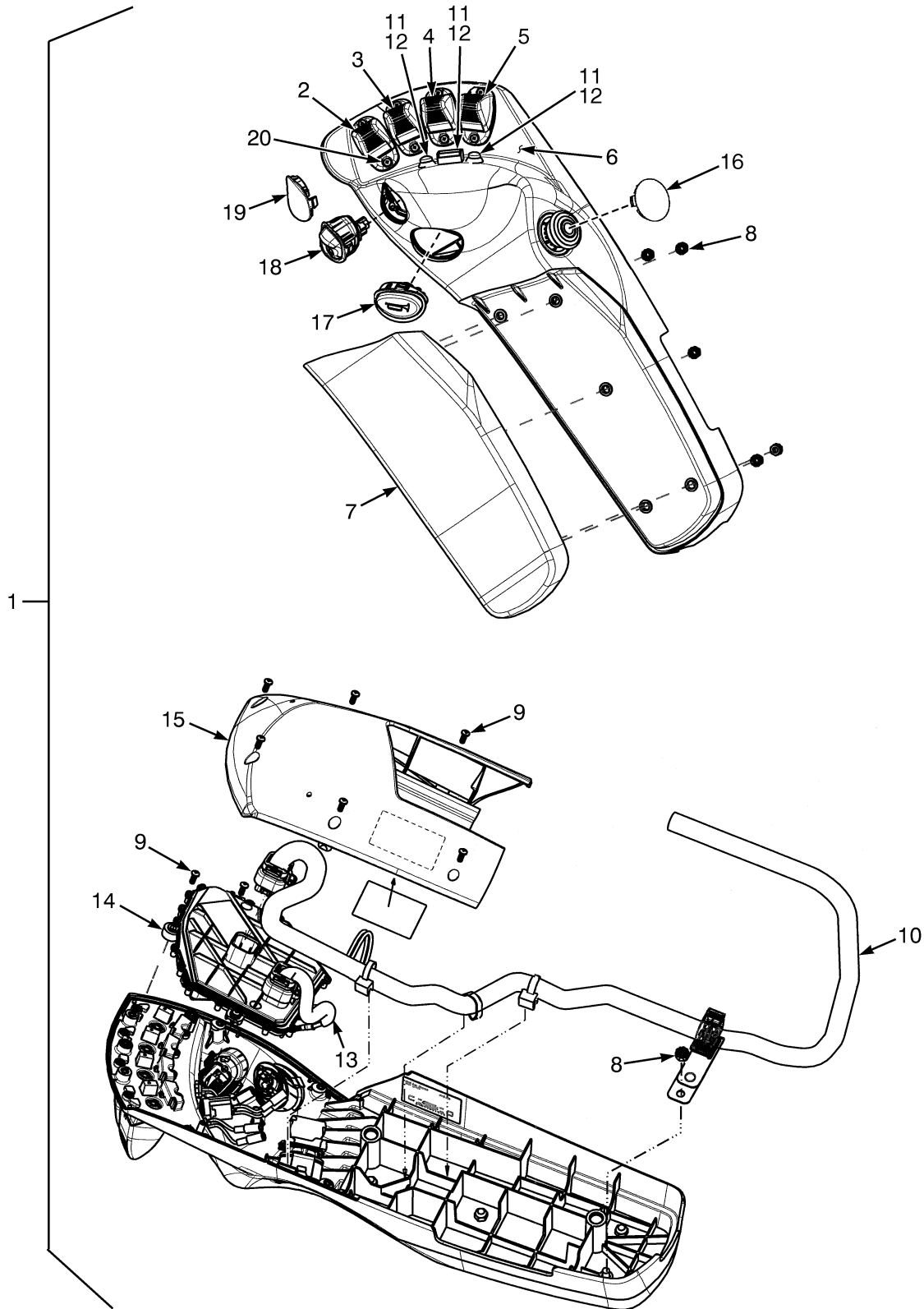
BP080959

**MINI-LEVER CONTROLS
WITH ARMREST – THREE FUNCTION****KEY:****A: Without Directional Control Switch****B: With Directional Control Switch**

ITEM	PART NO.	DESCRIPTION	QTY	
			A	B
1	4601093	Mini-Lever Assembly	1	..
1	a 4601097	Mini-Lever Assembly	1	..
1	b 4601099	Mini-Lever Assembly	1	..
1	4601101	Mini-Lever Assembly	1
1	a 4601105	Mini-Lever Assembly	1
1	b 4601107	Mini-Lever Assembly	1
2	Lever Position 1	1	1
2	2110791	Lever (Single Function)	1	1
3	Lever Position 2	1	1
3	2110791	Lever (Single Function)	1	1
3	a 2110793	Lever (With Override)	1	1
4	Lever Position 3	1	1
4	2110791	Lever (Single Function)	1	1
4	c 2110792	Lever (Clamping)	1	1
5	2108249	Plug	1	1
6	2111799	Armrest (Without Push Buttons)	1	1
6	ac 4603439	Armrest (With Push Buttons)	1	1
7	2111769	Cushion (Armrest)	1	1
8	1709587	Nut	5	5
9	1698449	Capscrew	6	6
10	4605336	Wire Harness	1	1
11	c 1704528	Push Button (Position 3)	1	1
11	b 1704528	Push Button (Position 2 and 3)	2	2
11	a 1704528	Push Button (Position 2)	1	1
12	c 1705359	Cover (Push Button)	1	1
12	b 1705359	Cover (Push Button)	1	1
13	1704529	Wire Harness (Forward/Reverse Switch in the MLM) (Push Buttons)	1	1
14	4605337	Printed Circuit Board	1	1
15	2111800	Cover (Bottom Armrest)	1	1
16	4601120	Plug	1	1
17	2111770	Horn Button	1	1
18	2110943	Switch (Directional Control)	1
19	2110942	Plug (Directional Control Switch)	1	..
20	1698449	Capscrew	8	8

FOOTNOTES:**a** Return to Set Tilt**c** With Clamping**b** Three Function Clamp with Return to Set Tilt

MINI-LEVER CONTROLS (FIGURE 5-30) WITH ARMREST — FOUR FUNCTION



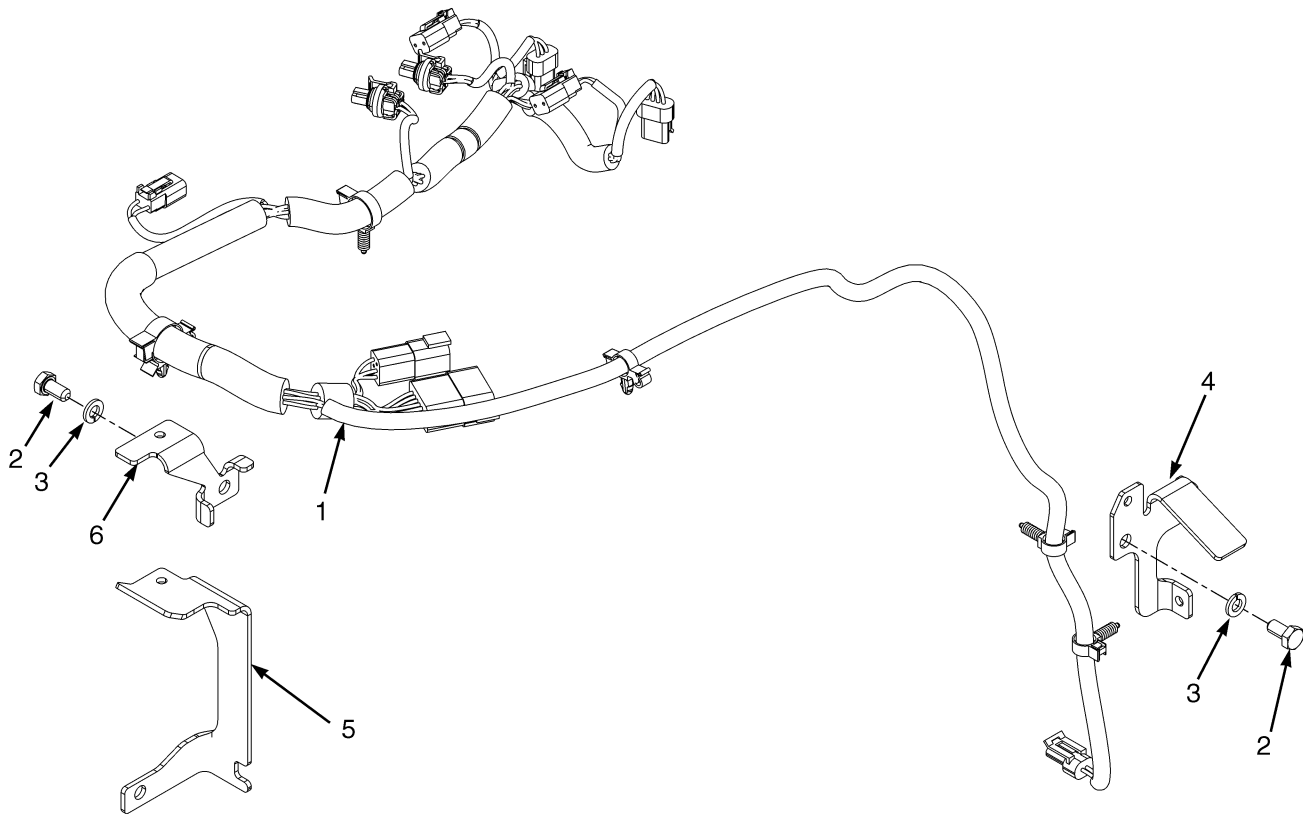
BP080960

**MINI-LEVER CONTROLS
WITH ARMREST – FOUR FUNCTION****KEY:****A: Without Directional Control Switch****B: With Directional Control Switch**

ITEM	PART NO.	DESCRIPTION	QTY	
			A	B
1	4601094	Mini-Lever Assembly	1	..
1	a 4601096	Mini-Lever Assembly	1	..
1	c 4601098	Mini-Lever Assembly	1	..
1	b 4601100	Mini-Lever Assembly	1	..
1	4601102	Mini-Lever Assembly	1
1	a 4601104	Mini-Lever Assembly	1
1	c 4601106	Mini-Lever Assembly	1
1	b 4601108	Mini-Lever Assembly	1
2	Lever Position 1	1	1
2	2110791	Lever (Single Function)	1	1
3	Lever Position 2	1	1
3	2110791	Lever (Single Function)	1	1
3	b 2110793	Lever (With Override)	1	1
4	Lever Position 3	1	1
4	2110791	Lever (Single Function)	1	1
5	Lever Position 4	1	1
5	2110791	Lever (Single Function)	1	1
5	ab 2110792	Lever (Clamping)	1	1
6	2111799	Armrest (Without Push Buttons)	1	1
6	abc 4603439	Armrest (With Push Buttons)	1	1
7	2111769	Cushion (Armrest)	1	1
8	1709587	Nut	5	5
9	1698449	Capscrew	6	6
10	4605336	Wire Harness	1	1
11	a 1704528	Push Button	1	1
11	b 1704528	Push Button	2	2
12	a 1705359	Cover (Push Button)	2	2
12	b 1705359	Cover (Push Button)	1	1
13	1704529	Wire Harness (Forward/Reverse Switch in the MLM) (Push Buttons)	1	1
14	4605337	Printed Circuit Board	1	1
15	2111800	Cover (Bottom Armrest)	1	1
16	4601120	Plug	1	1
17	2111770	Horn Button	1	1
18	2110943	Switch (Directional Control)	1
19	2110942	Plug (Directional Control Switch)	1	..
20	1698449	Capscrew	8	8

FOOTNOTES:**a** With Clamping**c** With Return to Set Tilt**b** With Clamping and Return to Set Tilt

TRANSMISSION ELECTRICAL SYSTEM (FIGURE 5-31)

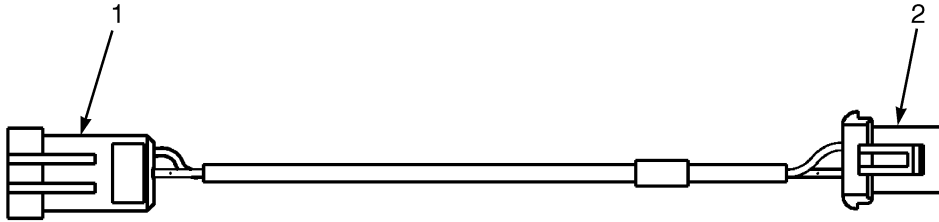


BP080514

TRANSMISSION ELECTRICAL SYSTEM**KEY:****A: Single Speed****B: Dual Speed**

ITEM	PART NO.	DESCRIPTION	QTY	
			A	B
1	2085943	Wire Harness (Transmission) (Single Speed) (☞ Figure 5-49).....	1	..
1	2085942	Wire Harness (Transmission) (Dual Speed) (☞ Figure 5-50).....	..	1
2	287851	Capscrew	2	2
3	292681	Lockwasher	2	2
4	1612223	Bracket	1	1
5	1616222	Bracket	1	..
6	1612399	Bracket	1

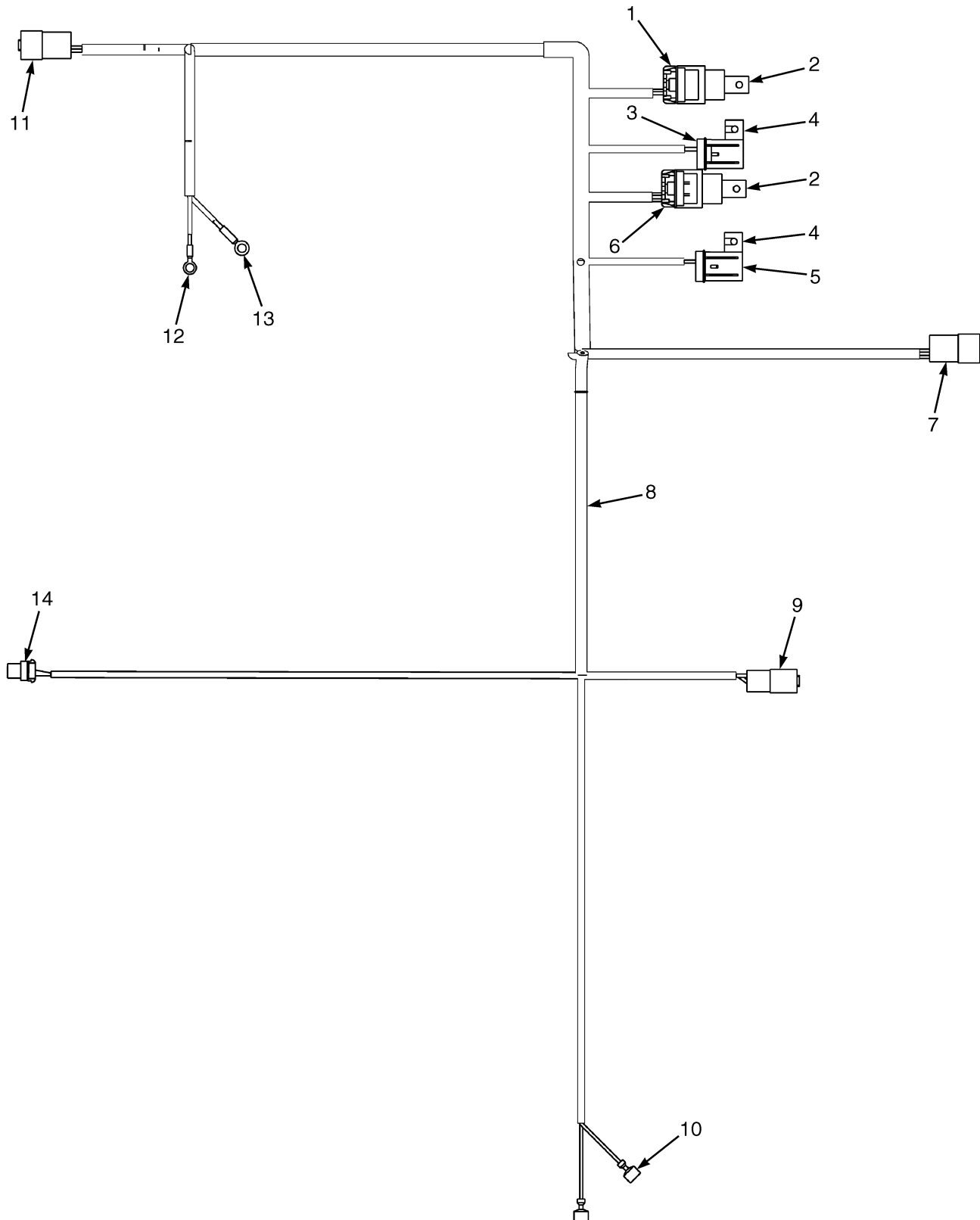
WIRE HARNESS (FIGURE 5-32) ADAPTER — LOW FUEL PRESSURE



HP082028

ITEM	PART NO.	DESCRIPTION	QTY
	4602843	Wire Harness	1
1	Connector Assembly (To LH Chassis Harness)	1
1	2795583	Connector (3 Way)	1
1	2787350	Pin Terminal	2
1	2069381	Plug	1
1	2060555	Wire Seal (Yellow)	2
2	Connector Assembly (Low LPG Switch)	1
2	1329152	Plug	1
2	1329151	Terminal	1
2	1330281	Terminal	2
2	1402888	Seal (Purple)	2

WIRE HARNESS (FIGURE 5-33) AIR CONDITIONER



BP081133

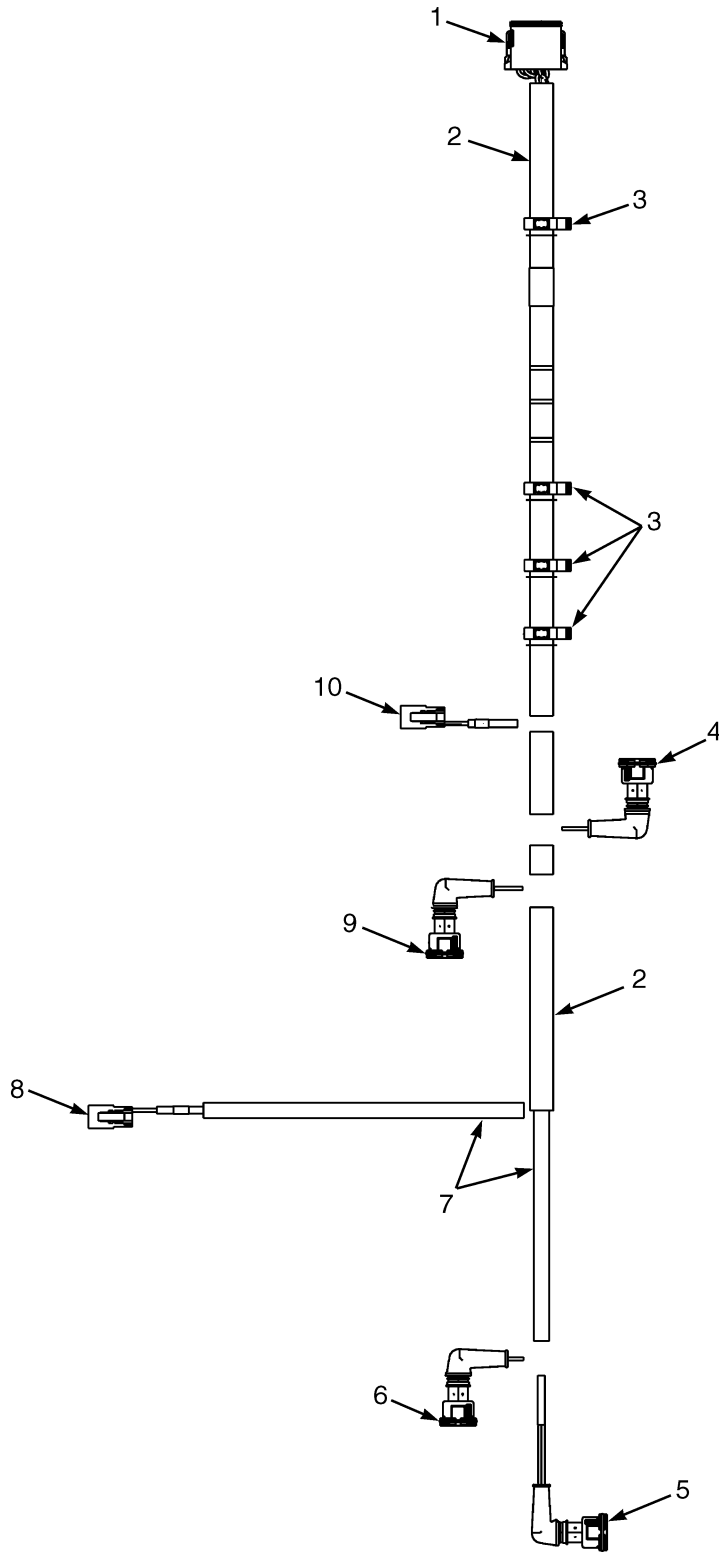
**WIRE HARNESS
AIR CONDITIONER**

ITEM	PART NO.	DESCRIPTION	QTY
	4616123	Wire Harness	1
1	Connector Assembly (Condenser Relay)	1
1	1461744	Connector Body	1
1	1327164	Seal	1
1	1375797	Terminal	4
1	1323579	Seal	2
1	1329147	Seal	2
1	1503088	Lock	1
2	1461743	Relay	2
3	Connector Assembly (Condenser Fuse Holder)	1
3	1330292	Connector	1
3	1330283	Terminal	1
3	1300134	Fuse (25 Amp)	1
4	1330293	Cover (Fuse)	2
5	Connector Assembly (Compressor Fuse Holder)	1
5	1330292	Connector	1
5	1330283	Terminal	2
5	370646	Fuse (5 Amp)	1
6	Connector Assembly (Blower Relay)	1
6	1461744	Connector Body	1
6	1327164	Seal	1
6	1375797	Terminal	4
6	1323579	Seal	1
6	1329147	Seal	3
6	1503088	Lock	1
7	Connector Assembly (RH Door Harness)	1
7	4047669	Connector	1
7	1514598	Connector (Secondary Lock)	1
7	866401	Terminal	4
8	381919	Braiding	AR
9	Connector Assembly (Condenser)	1
9	4060737	Connector	1
9	1480188	Connector (Secondary Lock)	1
9	866401	Terminal	2
10	Connector Assembly (Pressure Switch)	1
10	1310142	Terminal Housing (Blue)	2
11	Connector Assembly (CPS 18)	1
11	4047669	Connector	1
11	1514598	Connector (Secondary Lock)	1
11	866401	Terminal	3
11	1330439	Plug	1
12	Connector Assembly (B+ at Power Distribution Module)	1
12	148606	E-Ring	1
13	Connector Assembly (B- at Power Distribution Module)	1
13	148611	E-Ring	1
14	Connector Assembly (Compressor Clutch)	1
14	1329152	Plug	1
14	1329151	Terminal	1
14	1521989	Terminal	1
14	1330281	Terminal	1

WIRE HARNESS AIR CONDITIONER

ITEM	PART NO.	DESCRIPTION	QTY
14	1323579	Seal	1
14	1329147	Seal	1

**WIRE HARNESS (FIGURE 5-34)
ELECTRONIC CONTROL VALVE — THREE FUNCTION**

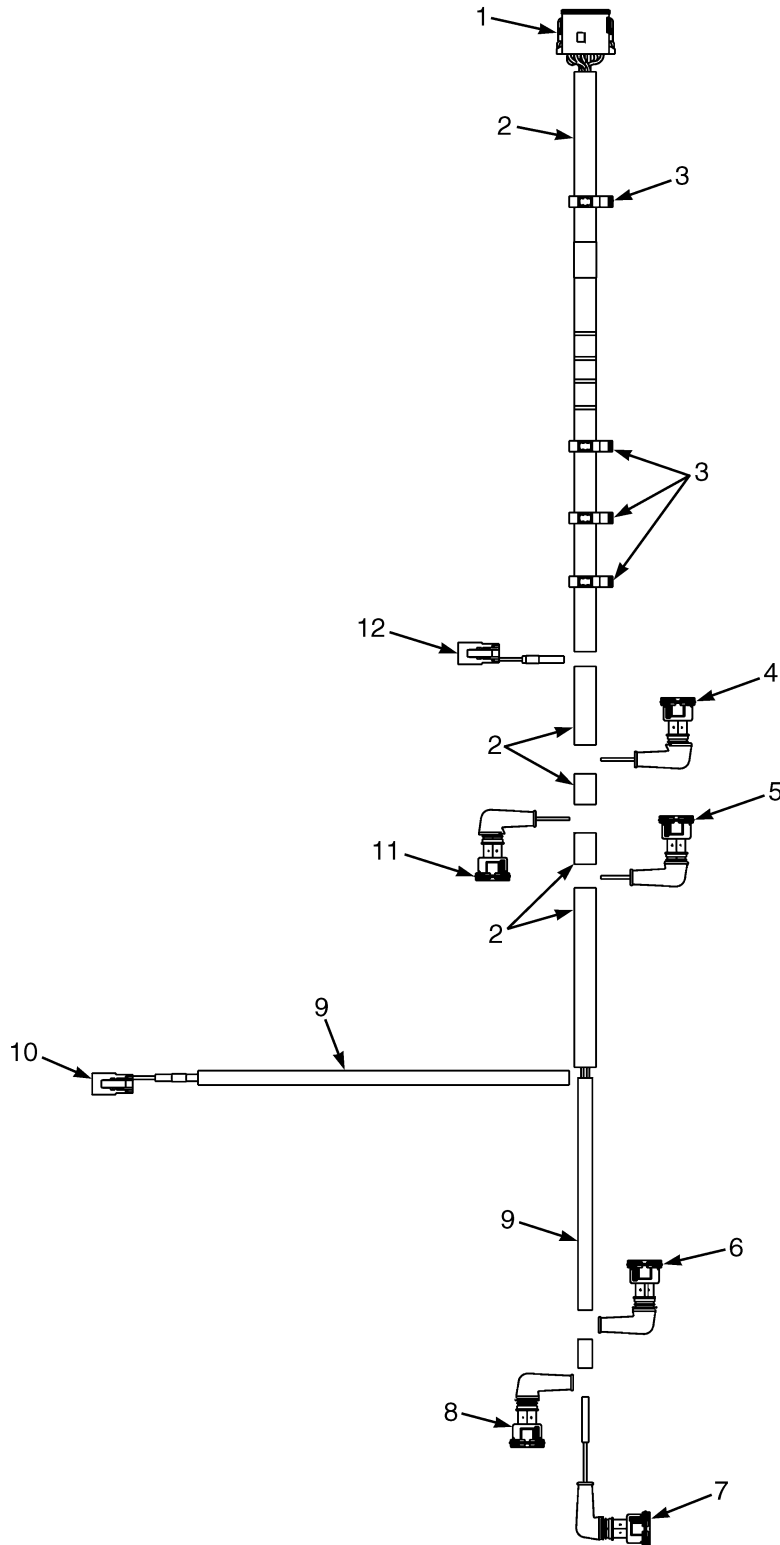


BP081116

**WIRE HARNESS
ELECTRONIC CONTROL VALVE – THREE FUNCTION**

ITEM	PART NO.	DESCRIPTION	QTY
	4605072	Wire Harness (Electronic Control Valve)	1
1	Connector Assembly (Vehicle System Manager)	1
1	1525564	Connector	1
1	1330438	Terminal (Socket)	9
1	1484377	Plug	3
1	1500913	Connector (Secondary Lock) (Secondary Lock)	1
2	275495	Conduit	AR
3	1402815	Clip	4
4	Connector Assembly (2A Tilt)	1
4	1531162	Connector	1
4	1402814	Terminal	2
4	1562649	Seal	2
5	Connector Assembly (2B Tilt)	1
5	1531162	Connector	1
5	1402814	Terminal	2
5	1562649	Seal	2
6	Connector Assembly (3B Aux. 1)	1
6	1493435	Connector (2-Way)	1
6	1402814	Terminal	2
6	1562649	Seal	2
7	275493	Conduit	AR
8	Connector Assembly (1A Lift)	1
8	1490242	Connector (2 Way)	1
8	1330438	Terminal (Socket)	2
8	1490243	Connector (Secondary Lock)	1
9	Connector Assembly (3A Aux.1)	1
9	1493435	Connector (2-Way)	1
9	1402814	Terminal	2
9	1562649	Seal	2
10	Connector Assembly (1B Lower)	1
10	1490242	Connector (2 Way)	1
10	1330438	Terminal (Socket)	2
10	1490243	Connector (Secondary Lock)	1

**WIRE HARNESS (FIGURE 5-35)
ELECTRONIC CONTROL VALVE — FOUR FUNCTION**

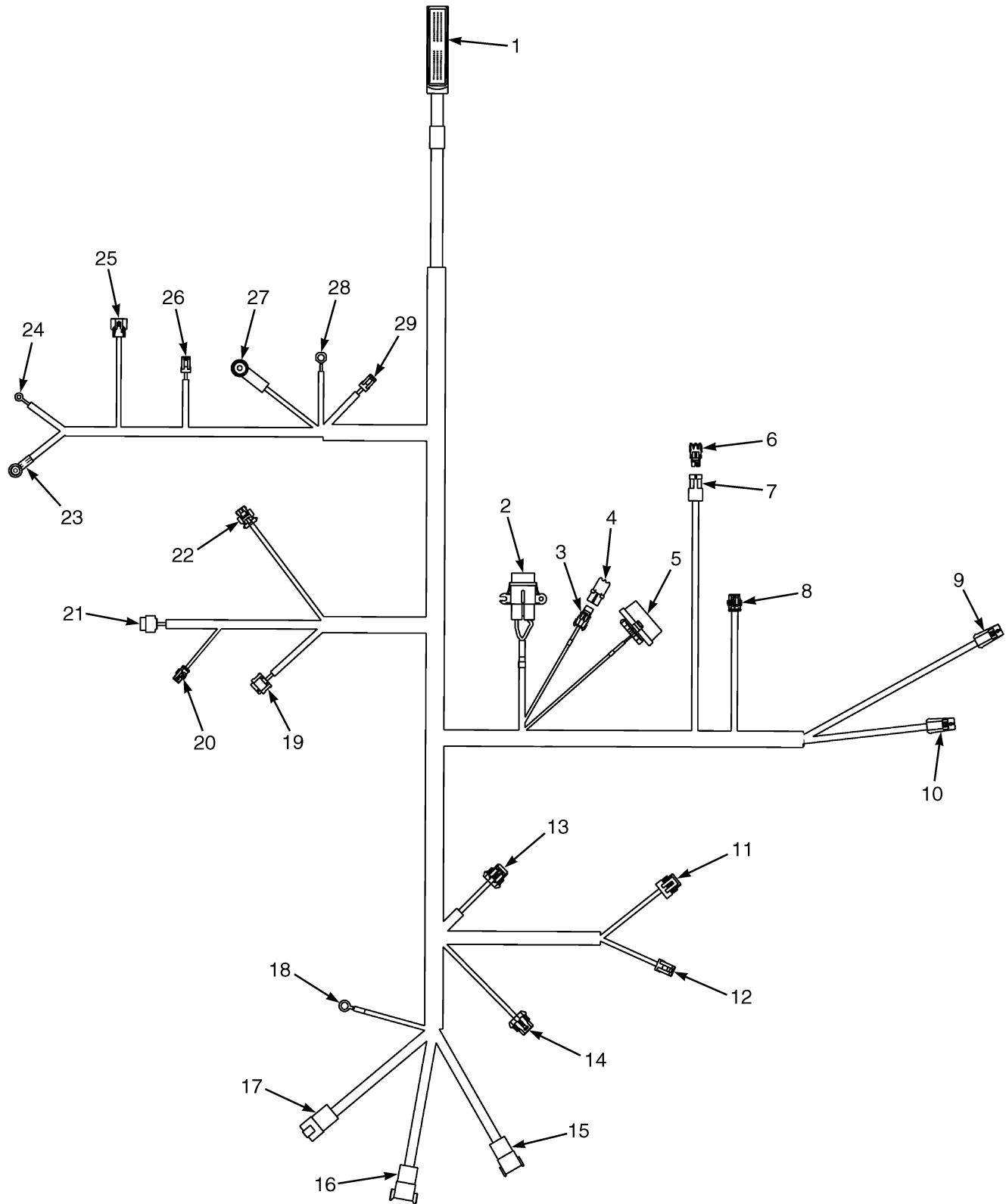


BP081117

**WIRE HARNESS
ELECTRONIC CONTROL VALVE – FOUR FUNCTION**

ITEM	PART NO.	DESCRIPTION	QTY
	4605073	Wire Harness (Electronic Control Valve)	1
1	Connector Assembly (Vehicle System Manager)	1
1	1525564	Connector	1
1	1330438	Terminal (Socket)	12
1	1500913	Connector (Secondary Lock) (Secondary Lock)	1
2	275495	Conduit	AR
3	1402815	Clip	4
4	Connector Assembly (2A Tilt)	1
4	1531162	Connector	1
4	1402814	Terminal	2
4	1562649	Seal	2
5	Connector Assembly (4A Aux.2))	1
5	1493447	Connector	1
5	1402814	Terminal	2
5	1562649	Seal	2
6	Connector Assembly (4B Aux. 2)	1
6	1493447	Connector	1
6	1402814	Terminal	2
6	1562649	Seal	2
7	Connector Assembly (2B Tilt)	1
7	1531162	Connector	1
7	1402814	Terminal	2
7	1562649	Seal	2
8	Connector Assembly (3B Aux. 1)	1
8	1493435	Connector (2-Way)	1
8	1402814	Terminal	2
8	1562649	Seal	2
9	275493	Conduit	AR
10	Connector Assembly (1A Lift)	1
10	1490242	Connector (2 Way)	1
10	1330438	Terminal (Socket)	2
10	1490243	Connector (Secondary Lock) (Secondary Lock)	1
11	Connector Assembly (3A Aux.1)	1
11	1493435	Connector (2-Way)	1
11	1402814	Terminal	2
11	1562649	Seal	2
12	Connector Assembly (1B Lower)	1
12	1490242	Connector (2 Way)	1
12	1330438	Terminal (Socket)	2
12	1490243	Connector (Secondary Lock) (Secondary Lock)	1

WIRE HARNESS (ENGINE) (FIGURE 5-36) GM 4.3L, LPG



BP081167

**WIRE HARNESS (ENGINE)
GM 4.3L, LPG**

ITEM	PART NO.	DESCRIPTION	QTY
	4040249	Wire Harness	1
1	Connector Assembly (Engine Control Unit)	1
1	1641949	Connector	1
1	1653510	Terminal (Gold)	32
1	1561147	Plug	54
1	4025683	Connector Lock	1
1	4025684	Strain Relief (Cover)	1
1	4023295	Terminal	4
2	Connector Assembly (Alternate Fuse)	1
2	1543553	Fuse Holder	1
2	1454862	Cover (With Seal)	1
2	1402889	Terminal	2
2	1454827	Seal	2
2	1500899	Clip	1
3	Connector Assembly (ECU Diagnostic Connector)	1
3	1641944	Connector	1
3	1650522	Terminal	8
3	1641945	Spacer	1
4	1641947	Cap	1
5	Connector Assembly (Mini Fuses)	1
5	1327959	Connector	1
5	1330281	Terminal	3
5	1521989	Terminal	1
5	1327164	Seal	2
5	1323579	Seal	6
5	1330297	Lock	1
5	1641937	Cap	1
5	1641938	Clip	1
5	1498044	Fuse (5 Amp)	2
6	Connector Assembly (Air Filter Restriction)	1
6	1465468	Connector	1
6	1327164	Seal	2
7	1323579	Seal	6
7	1323578	Terminal	2
7	1465469	Connector	1
8	Connector Assembly (Low Fuel)	1
8	1547629	Connector (3 Way)	1
8	1508232	Terminal (Pin)	3
8	2060555	Wire Seal (Yellow)	3
9	Connector Assembly (Pre-Catalyst O2 Sensor)	1
9	1498424	Housing	1
9	1653508	Terminal (Gold)	4
9	1476108	Wire Seal (White)	5
9	1650797	Lock	1
10	Connector Assembly (Pre-Catalyst O2 Sensor)	1
10	1498424	Housing	1
10	1653508	Terminal (Gold)	4
10	1476108	Wire Seal (White)	5
10	1650797	Lock	1
11	Connector Assembly (Ignition Module)	1

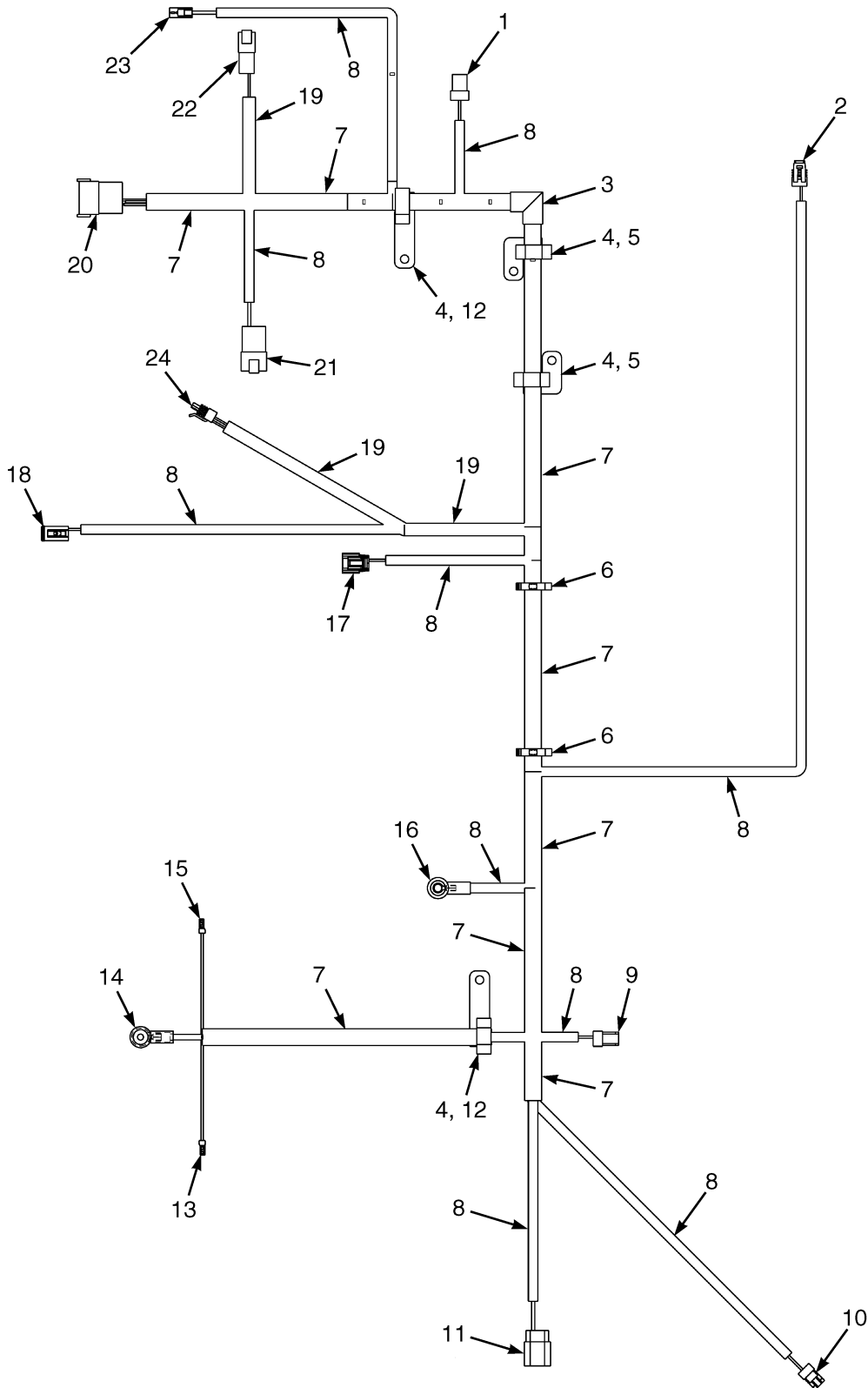
WIRE HARNESS (ENGINE) GM 4.3L, LPG

ITEM	PART NO.	DESCRIPTION	QTY
11	1548517	Terminal (Socket)	4
11	1548519	Seal	4
11	1547483	Connector	1
11	1476109	Connector Lock	1
12	Connector Assembly (Oil Pressure)	1
12	1548517	Terminal (Socket)	3
12	1603236	Connector (Secondary Lock)	1
12	1548519	Seal	3
12	1603021	Connector	1
13	Connector Assembly (Cam Sensor)	1
13	1330355	Terminal	3
13	1476109	Connector Lock	1
13	1476067	Connector	1
14	Connector Assembly (Ignition Coil)	1
14	1476071	Connector	1
14	1330355	Terminal	3
14	1476109	Connector Lock	1
14	1330356	Seal	5
14	1482668	Plug (Cavity Plug)	1
15	Connector Assembly (Vehicle Interface Connector)	1
15	1500912	Clip	1
15	1541988	Connector (8 Pin)	1
15	1463138	Terminal Pin	8
15	1541989	Connector (Secondary Lock) (Lock)	1
16	Connector Assembly (Vehicle Interface Connector)	1
16	1623050	Housing	1
16	1330418	Connector (Lock)	1
16	1330437	Terminal (Pin)	7
16	1330439	Plug	1
16	1531480	Clip	1
17	Connector Assembly (Vehicle Interface Connector)	1
17	1514597	Connector	1
17	1484709	Terminal (Pin)	4
17	1500912	Clip	1
17	1514598	Connector (Secondary Lock) (Lock)	1
18	1651850	E-Ring (Engine Ground)	1
19	Connector Assembly (Throttle)	1
19	1569973	Connector Body	1
19	1610975	Terminal	6
19	1533810	Seal (Green)	6
20	Connector Assembly (LPG Lockoff)	1
20	1330355	Terminal	1
20	1476108	Wire Seal (White)	1
20	1539872	Connector	1
20	1345690	Terminal (E FTG SEC LOCK)	1
21	Connector Assembly (TMAP)	1
21	1567469	Plug	1
21	1567471	Terminal	4
21	1567470	Wire Seal	4
22	Connector Assembly (CPS269)	1

**WIRE HARNESS (ENGINE)
GM 4.3L, LPG**

ITEM	PART NO.	DESCRIPTION	QTY
22	2314771	Plug	1
22	4612836	Connector	1
22	1561027	Terminal	5
22	2314768	Wire Seal	1
22	4612844	Connector Lock	1
23	1524397	E-Ring (Starter Solenoid)	1
23	190383	Boot	1
24	148615	E-Ring (Starter B+)	1
25	Connector Assembly (Crank Position Sensor)	1
25	1655119	Electrical Connector	1
25	1655120	Electrical Terminal	3
25	1655121	Seal	3
25	4001358	Retainer	1
26	Connector Assembly (Alternator)	1
26	1547480	Connector (2 Way)	1
26	1548517	Terminal (Socket)	2
26	1548519	Seal	2
27	148614	E-Ring (Alternator Positive)	1
27	1520864	Boot	1
28	148614	E-Ring (Alternator Ground)	1
29	Connector Assembly (Engine Coolant Temp)	1
29	1547480	Connector (2 Way)	1
29	1548517	Terminal (Socket)	2
29	1548519	Seal	2

WIRE HARNESS (FIGURE 5-37) ENGINE — KUBOTA DIESEL 3.6L



BP081584

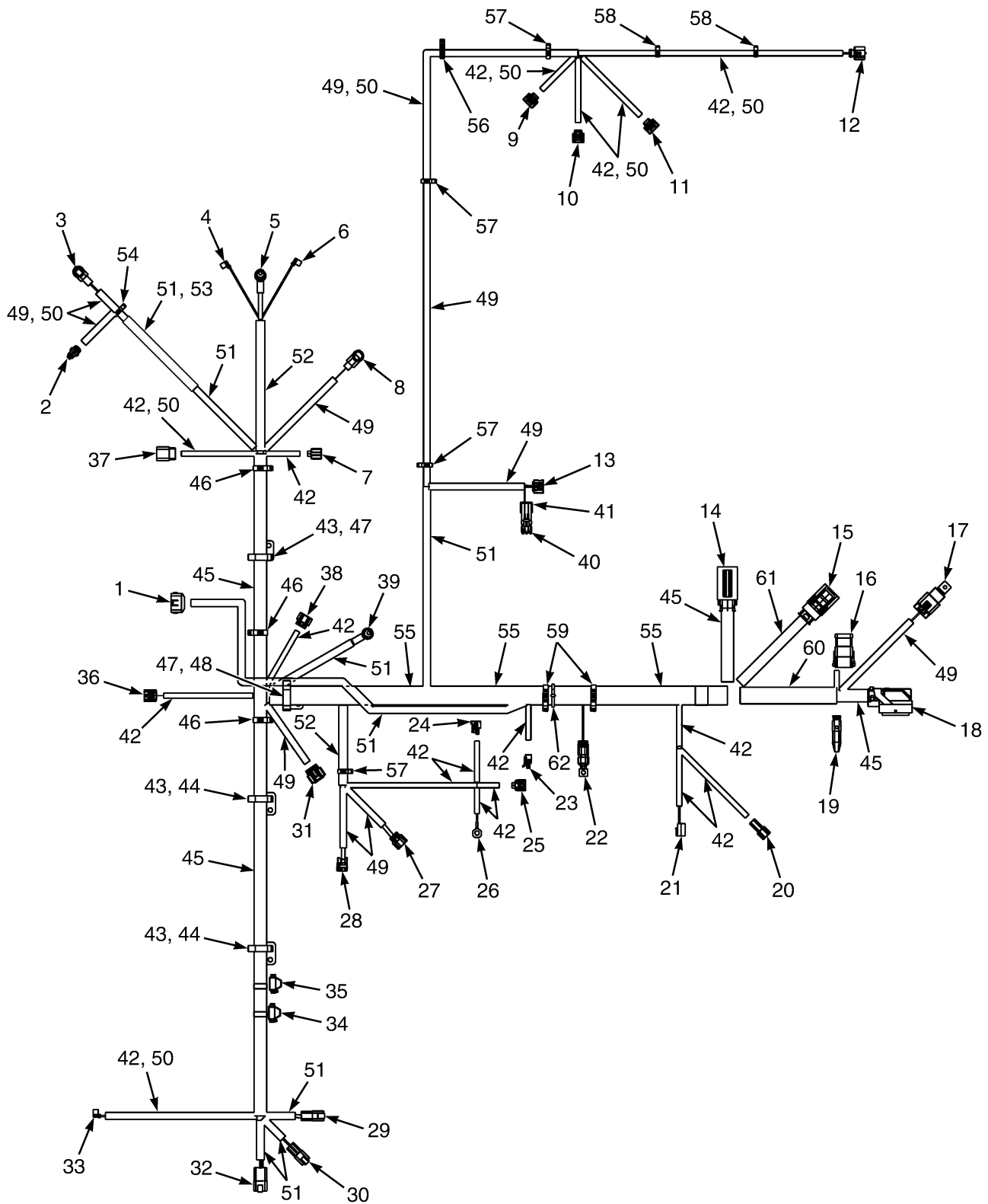
**WIRE HARNESS
ENGINE – KUBOTA DIESEL 3.6L**

ITEM	PART NO.	DESCRIPTION	QTY
	4629824	Wire Harness (Engine)	1
1	Connector Assembly (Engine RPM Sensor)	1
1	1546673	Connector	1
1	1323576	Terminal	3
2	Connector Assembly (Fuel Level)	1
2	1476077	Connector	1
2	1323576	Terminal	2
3	Conduit
4	1532776	Clip	4
5	1532759	Clip (Bracket)	2
6	1402624	Clip	2
7	275496	Conduit	AR
8	275493	Conduit	AR
9	Connector Assembly (Coolant Temp Sensor)	1
9	1323586	Connector	1
9	1323576	Terminal	2
10	Connector Assembly (Low Engine Oil)	1
10	1327957	Connector	1
10	1532571	Terminal	3
11	Connector Assembly (Alternator Connector)	1
11	1302907	Connector	1
11	1302908	Connector Lock	1
11	1302912	Terminal	2
11	1302910	Wire Seal	1
11	1302909	Wire Seal	1
12	1532758	Clip (Bracket)	1
13	Connector Assembly (Relay Ground 85)	1
13	1402823	Connector	1
14	Connector Assembly (relay Power to Glow Plug 87)	1
14	148614	E-Ring	1
14	1520864	Boot	1
15	Connector Assembly (Relay Signal 86)	1
15	1402823	Connector	1
16	Connector Assembly (Glow Plug)	1
16	196196	E-Ring	1
16	1520864	Boot	1
17	Connector Assembly (Fuel Shut-Off Solenoid)	1
17	4612988	Connector	1
17	4612978	Terminal	2
17	2314800	Wire Seal	2
18	Connector Assembly (Pull Actuator)	1
18	1490242	Connector (2 Way)	1
18	1490243	Connector (Secondary Lock)	1
18	1330438	Terminal (Socket)	2
19	275494	Conduit	AR
20	Connector Assembly (Engine to Chassis)	1
20	4047908	Connector	1
20	1352603	Secondary Lock	1
20	1330437	Terminal (Pin)	10
20	1330439	Plug	2

**WIRE HARNESS
ENGINE – KUBOTA DIESEL 3.6L**

ITEM	PART NO.	DESCRIPTION	QTY
21	Connector Assembly (Engine To Chassis)	1
21	4047669	Connector	1
21	1514598	Connector (Secondary Lock) (Secondary Lock)	1
21	1330439	Plug	1
21	1484709	Terminal (Pin)	3
22	Connector Assembly (Engine to Chassis)	1
22	1530960	Connector	1
22	1530961	Connector (Secondary Lock)	1
22	1463138	Terminal Pin	6
23	Connector Assembly (Starter Solenoid)	1
23	4029099	Connector	1
23	4028288	Terminal	1
24	Connector Assembly (Throttle Position Sensor)	1
24	1525584	Connector	1
24	1323576	Terminal	6

WIRE HARNESS (FIGURE 5-38) ENGINE — KUBOTA 3.8L DIESEL



BP081460

**WIRE HARNESS
ENGINE – KUBOTA 3.8L DIESEL**

ITEM	PART NO.	DESCRIPTION	QTY
	4620676	Wire Harness (Engine)	1
1	Connector Assembly (Injector)	1
1	4023719	Connector	1
1	1476598	Terminal	8
1	4613011	Plug	3
1	1476599	Seal	8
2	Connector Assembly (Oil Pressure)	1
2	1603021	Connector	1
2	1603236	Connector (Secondary Lock)	1
2	1548517	Terminal (Socket)	3
2	1548519	Seal	3
3	Connector Assembly (Crank Sensor)	1
3	4029384	Connector	1
3	4029116	Terminal	3
3	4029117	Wire Seal	3
3	4045249	Boot	1
4	Connector Assembly (Contactor)	1
4	1402823	Connector	1
5	Connector Assembly (Contactor Out)	1
5	806425	E-Ring	2
5	1520864	Boot	2
6	Connector Assembly (Contactor)	1
6	1402823	Connector	1
7	Contactor Assembly (Coolant Temperature)	1
7	4028633	Connector	1
7	4612829	Terminal	2
7	2061333	Wire Seal	2
8	Connector Assembly (Cam Sensor)	1
8	4029383	Connector	1
8	4029116	Terminal	3
8	4029117	Wire Seal	3
8	4045249	Boot	1
9	Connector Assembly (Exhaust Temperature, 0)	1
9	4043881	Connector	1
9	1476598	Terminal	2
9	1476599	Seal	2
10	Connector Assembly (Exhaust Temperature, 1)	1
10	4043882	Connector	1
10	1476598	Terminal	2
10	1476599	Seal	2
11	Connector Assembly (Exhaust Temperature, 2)	1
11	4043880	Connector	1
11	1476598	Terminal	2
11	1476599	Seal	2
12	Connector Assembly (Differential Pressure)	1
12	4028634	Connector	1
12	4043877	Terminal	3
12	1607745	Seal	3
13	Connector Assembly (Mass Air Flow)	1
13	4029113	Connector	1

WIRE HARNESS ENGINE – KUBOTA 3.8L DIESEL

ITEM	PART NO.	DESCRIPTION	QTY
13	4043876	Terminal	5
13	4029117	Wire Seal	5
14	Connector Assembly (Engine Control Module)	1
14	4024084	Connector	1
14	4028286	Terminal	34
14	4028287	Plug	46
14	4023786	Cover	1
15	Connector Assembly (Interface Module)	1
15	4023785	Connector	1
15	4028286	Terminal	13
15	4028287	Plug	42
15	4029426	Cover	1
16	Connector Assembly (Buss Bar)	1
16	1525564	Connector	1
16	1500913	Connector (Secondary Lock) (Secondary Lock)	1
16	1330438	Terminal (Socket)	12
17	Connector Assembly (Latch Relay)	1
17	4030503	Connector	1
17	1323581	Plug	1
17	1330283	Terminal	4
18	Connector Assembly (Engine Control Module)	1
18	4023784	Connector	1
18	4028286	Terminal	44
18	4028287	Plug	36
18	4023786	Cover	1
19	Connector Assembly (Resistor)	1
19	1490242	Connector (2 Way)	1
19	1490243	Connector (Secondary Lock)	1
19	1330438	Terminal (Socket)	2
19	4031366	Resistor	1
20	Connector Assembly (Forward Separator)	1
20	4028289	Connector	1
20	4036068	Connector Lock (Secondary Lock)	1
20	4036069	Terminal	2
20	4036070	Wire Seal	2
21	Connector Assembly (Feed Pump)	1
21	1308259	Connector Body	1
21	314775	Terminal	2
22	Connector Assembly (Can Service Tool)	1
22	2314772	Connector	1
22	2314773	Connector Lock (Secondary Lock)	1
22	2314741	Terminal	4
22	2061333	Wire Seal	4
23	Connector Assembly (Fuel Level)	1
23	1476077	Connector	1
23	1323576	Terminal	2
24	Connector Assembly (SCV)	1
24	4613118	Connector	1
24	4613092	Terminal	2
24	4613127	Wire Seal	2

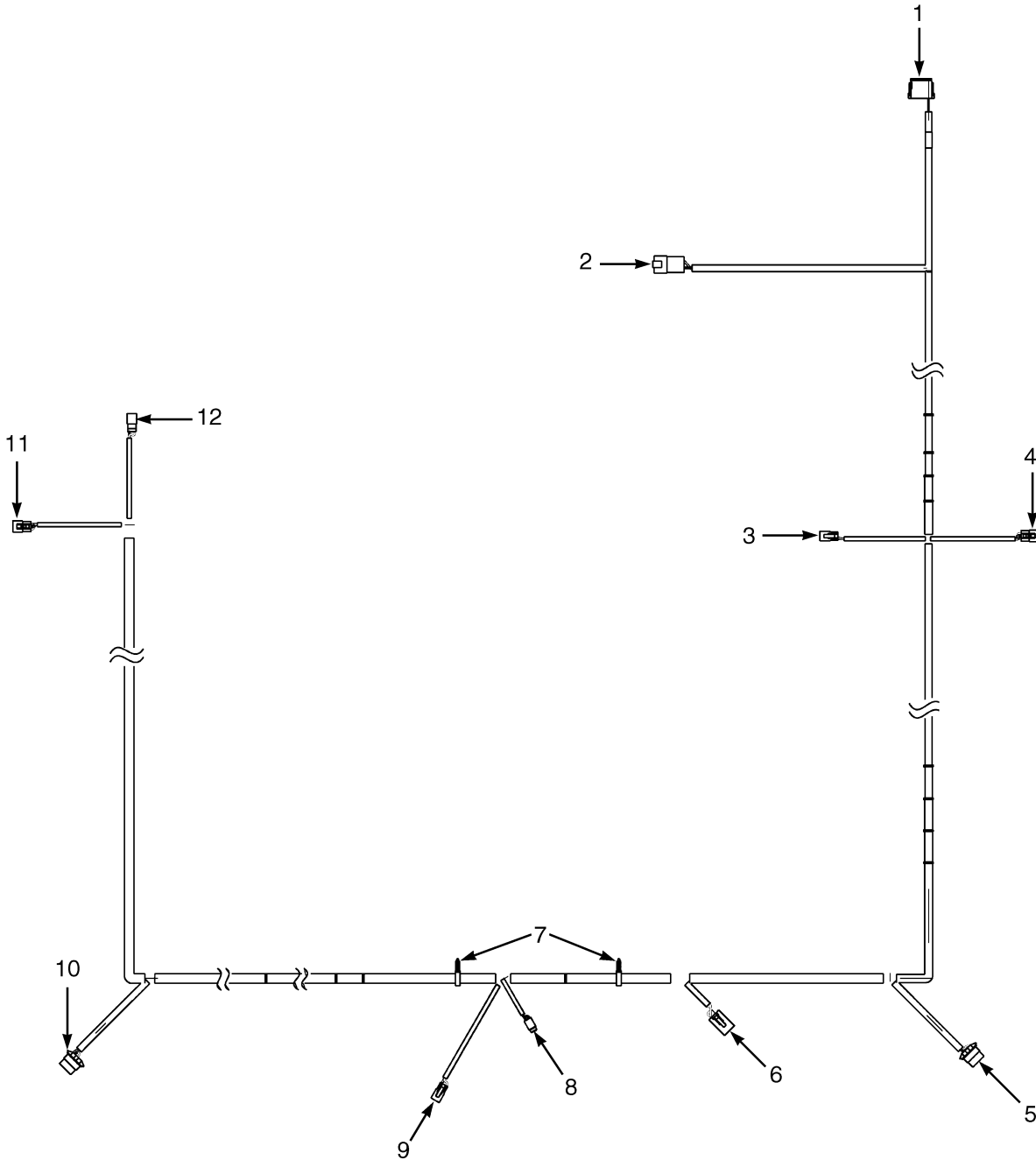
**WIRE HARNESS
ENGINE – KUBOTA 3.8L DIESEL**

ITEM	PART NO.	DESCRIPTION	QTY
25	Connector Assembly (Fuel Temperature)	1
25	4028633	Connector	1
25	4612829	Terminal	2
25	2061333	Wire Seal	2
26	Connector Assembly (Engine Ground)	1
26	1402620	Ring Terminal	1
27	Connector Assembly (Rail Pressure)	1
27	4612835	Connector	1
27	2314770	Connector Lock (Secondary Lock)	1
27	2314741	Terminal	3
27	2061333	Wire Seal	3
28	Connector Assembly (Intake Throttle)	1
28	1531231	Connector Body	1
28	1476598	Terminal	2
28	4613011	Plug	1
28	1476599	Seal	5
29	Connector Assembly (RH Chassis Harness)	1
29	1541988	Connector (8 Pin)	1
29	1541989	Connector (Secondary Lock)	1
29	1463138	Terminal Pin	8
30	Connector Assembly (To RH Chassis Harness)	1
30	1623050	Housing (Connector)	1
30	1330418	Connector	1
30	1330437	Terminal (Pin)	6
30	1363885	Terminal (Pin)	2
31	Connector Assembly (EGR Valve)	1
31	4612971	Connector	1
31	4612978	Terminal	4
31	2314800	Wire Seal	2
31	4614516	Wire Seal	2
32	Connector Assembly (To RH Chassis Harness)	1
32	1514597	Connector	1
32	1514598	Connector (Secondary Lock) (Secondary Lock)	1
32	866401	Terminal	4
33	Connector Assembly (Starter)	1
33	1521324	Connector	1
34	Connector Assembly (Ignition, 10A)	1
34	1602431	Fuse Holder	1
34	1498046	Fuse (10 Amp)	1
35	Connector Assembly (Start, 5A)	1
35	1602431	Fuse Holder	2
35	1498044	Fuse (5 Amp)	1
36	Connector Assembly (Air Temperature)	1
36	4029337	Connector	1
36	4616920	Terminal	2
36	1476599	Seal	2
37	Connector Assembly (Alternator)	1
37	1302907	Connector	1
37	1302908	Connector Lock (Secondary Lock)	1
37	1302912	Terminal	2

WIRE HARNESS ENGINE – KUBOTA 3.8L DIESEL

ITEM	PART NO.	DESCRIPTION	QTY
37	1302909	Wire Seal	2
38	Connector Assembly (Boost Pressure)	1
38	4029387	Connector	1
38	4616915	Terminal	1
38	4614848	Wire Seal	1
39	Connector Assembly (Grid Heater)	1
39	806425	E-Ring	1
39	1520864	Boot	1
40	Connector Assembly (End Cap)	1
40	1465468	Connector	1
40	1327164	Seal	2
41	Connector Assembly (Air Filter)	1
41	1465469	Connector	1
41	1323578	Terminal	2
41	1402888	Seal (Purple)	2
42	275493	Conduit	AR
43	1532778	Clip	3
44	1532759	Clip	2
45	275498	Conduit	AR
46	1509889	Clip	3
47	1532761	Clip	1
48	1532781	Clip	1
49	275494	Conduit	AR
50	4044397	Tape-Bulk (FT)	AR
51	275495	Conduit	AR
52	275496	Conduit	AR
53	Sleeve	AR
54	1509890	Clip	5
55	1540389	Conduit	AR
56	1646457	Clip	1
57	1509890	Clip	5
58	1509888	Clip	2
59	1530964	Clip	2
60	275499	Conduit	AR
61	275497	Conduit	AR
62	137852	Strap Clamp	1

**WIRE HARNESS (FIGURE 5-39)
LIGHTS — WITH OVERHEAD GUARD**



BP080502

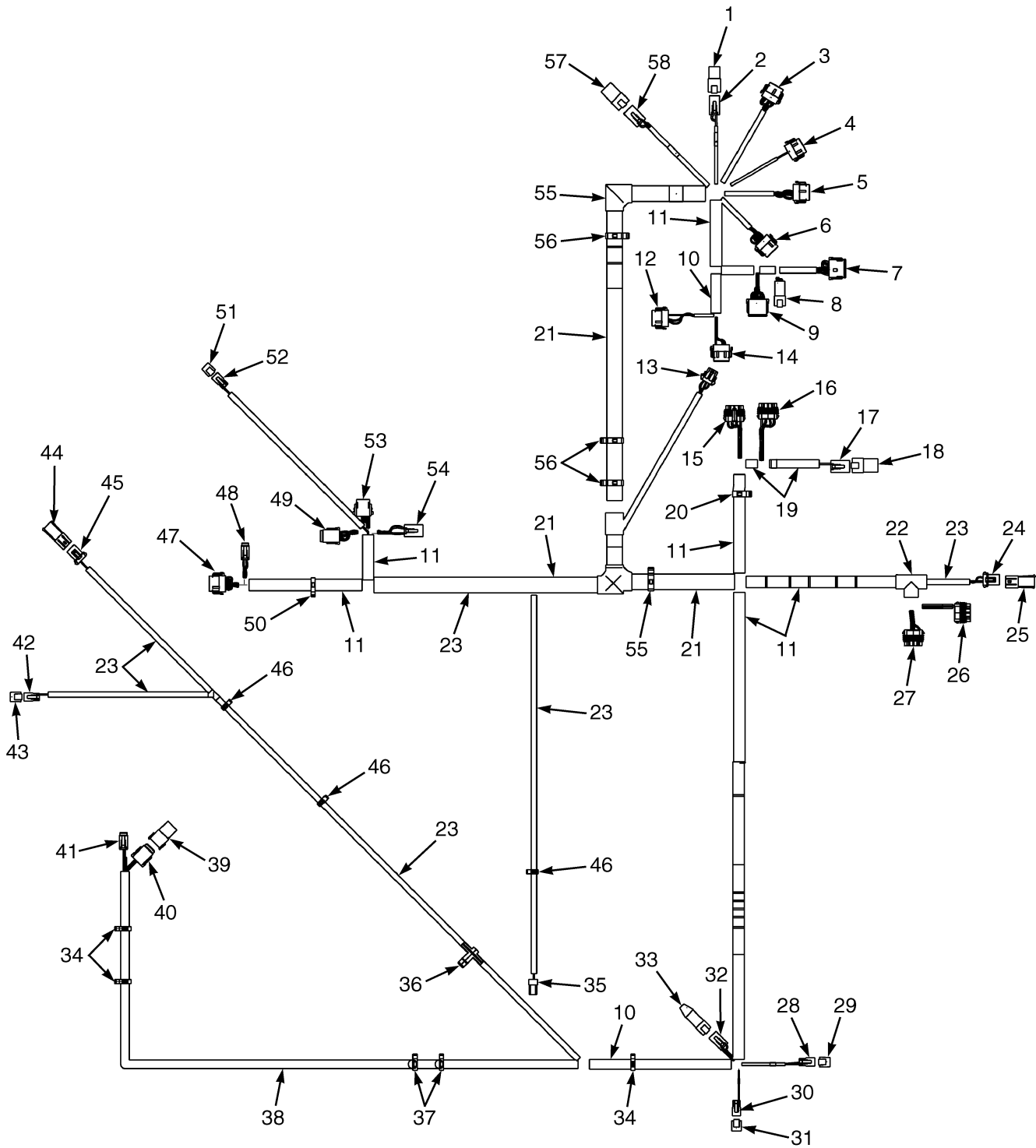
**WIRE HARNESS
LIGHTS – WITH OVERHEAD GUARD**

ITEM	PART NO.	DESCRIPTION	QTY
	2101862	Wire Harness (Lights)	1
1	Connector Assembly (Vehicle System Manager)	1
1	1525566	Connector	1
1	1484377	Plug	7
1	1330438	Terminal (Socket)	5
1	1500913	Connector (Secondary Lock)	1
2	Connector Assembly (To RH Chassis Harness)	1
2	1514597	Connector	1
2	1514598	Connector (Secondary Lock)	1
2	1484709	Terminal (Pin)	4
3	Connector Assembly (RH Front Work Lights)	1
3	1490242	Connector (2 Way)	1
3	1490243	Connector (Secondary Lock)	1
3	1363886	Terminal (Socket)	2
4	Connector Assembly (To RH Front Signal)	1
4	1484397	Connector (3-Way)	1
4	1463194	Connector (Secondary Lock)	1
4	1330438	Terminal (Socket)	3
5	Connector Assembly (RH Rear Signal Lights)	1
5	1531486	Connector	1
5	930591	Connector	1
5	1330356	Seal	1
5	1482668	Plug (Cavity Plug)	1
5	1330355	Terminal	5
5	1476108	Wire Seal (White)	4
6	Connector Assembly (Work Light Resistor)	1
6	1514602	Connector	1
6	1514603	Connector (Secondary Lock)	1
6	1554359	Terminal	4
7	1509890	Clip	2
8	Connector Assembly (Strobe)	1
8	1484557	Connector (2 Socket)	1
8	1484558	Connector (Secondary Lock)	1
8	1463139	Terminal	2
9	Connector Assembly (Rear Front Work Lights)	1
9	1490242	Connector (2 Way)	1
9	1490243	Connector (Secondary Lock)	1
9	1363886	Terminal (Socket)	2
10	Connector Assembly (LH Rear Signal)	1
10	1531486	Connector	1
10	930591	Connector	1
10	1330355	Terminal	5
10	1330356	Seal	1
10	1482668	Plug (Cavity Plug)	1
10	1476108	Wire Seal (White)	4
11	Connector Assembly (LH Front Signal)	1
11	1330438	Terminal (Socket)	3
11	1463194	Connector (Secondary Lock)	1
11	1484397	Connector (3-Way)	1
12	Connector Assembly	1

**WIRE HARNESS
LIGHTS – WITH OVERHEAD GUARD**

ITEM	PART NO.	DESCRIPTION	QTY
12	1363886	Terminal (Socket)	2
12	1490242	Connector (2 Way)	1
12	1490243	Connector (Secondary Lock)	1

WIRE HARNESS (FIGURE 5-40) RH CHASSIS — GM 4.3L LPG AND KUBOTA 3.8L DIESEL (→ 4/2014)



BP081009

WIRE HARNESS
RH CHASSIS – GM 4.3L LPG AND KUBOTA 3.8L DIESEL (→ 4/2014)

ITEM	PART NO.	DESCRIPTION	QTY
	4612950	Wire Harness	1
1	Connector Assembly (Endcap)	1
1	1480187	Connector	1
1	1330439	Plug	2
2	Connector Assembly (ACC 1)	1
2	1545202	Connector	1
2	1546697	Connector (Secondary Lock) (Secondary Lock)	1
2	1330439	Plug	2
3	Connector Assembly (Vehicle Systems Manager)	1
3	1525570	Connector	1
3	1530037	Connector (Secondary Lock) (Secondary Lock)	1
3	1463139	Terminal	9
3	1484377	Plug	3
4	Connector Assembly (Vehicle Systems Manager)	1
4	1525569	Connector	1
4	1530037	Connector (Secondary Lock) (Secondary Lock)	1
4	1463139	Terminal	2
4	1484377	Plug	10
5	Connector Assembly (Vehicle Systems Manager)	1
5	1525568	Connector	1
5	1530037	Connector (Secondary Lock) (Secondary Lock)	1
5	1463139	Terminal	7
5	1484377	Plug	5
6	Connector Assembly (Vehicle Systems Manager)	1
6	1525567	Connector	1
6	1530037	Connector (Secondary Lock) (Secondary Lock)	1
6	1463139	Terminal	9
6	1484377	Plug	3
7	Connector Assembly (Vehicle Systems Manager)	1
7	1525563	Connector	1
7	1500913	Connector (Secondary Lock) (Secondary Lock)	1
7	1330438	Terminal (Socket)	8
7	1363886	Terminal (Socket)	4
8	Connector Assembly (To Cowl Harness)	1
8	1489655	Connector (4 Way)	1
8	1330416	Connector (Secondary Lock) (Secondary Lock)	1
8	1330437	Terminal (Pin)	4
9	Connector Assembly (To Cowl Harness)	1
9	1493428	Connector (12-Way)	1
9	1500913	Connector (Secondary Lock) (Secondary Lock)	1
9	1330438	Terminal (Socket)	10
9	1484377	Plug	2
10	275496	Conduit	AR
11	275497	Conduit	AR
12	Connector Assembly (Vehicle Systems Manager)	1
12	1525567	Connector	1
12	1529046	Connector (Secondary Lock) (Secondary Lock)	1
12	1463139	Terminal	3
12	1484377	Plug	9
13	Connector Assembly (Horn)	1

WIRE HARNESS

RH CHASSIS – GM 4.3L LPG AND KUBOTA 3.8L DIESEL (→ 4/2014)

ITEM	PART NO.	DESCRIPTION	QTY
13	1476064	Connector	1
13	1476109	Connector Lock	1
13	1330356	Seal	2
13	1330355	Terminal	3
13	1476108	Wire Seal (White)	1
14	Connector Assembly (Vehicle Systems Manager)	1
14	1525569	Connector	1
14	1529046	Connector (Secondary Lock) (Secondary Lock)	1
14	1463139	Terminal	3
14	1484377	Plug	9
15	Connector Assembly (Power Distribution Module)	1
15	1521184	Connector	1
15	1521188	Lock	1
15	1323579	Seal	5
15	1327164	Seal	1
15	1330281	Terminal	6
15	1521989	Terminal	1
15	1402888	Seal (Purple)	2
16	Connector Assembly (Power Distribution Module)	1
16	1521183	Connector	1
16	1521188	Lock	1
16	1323579	Seal	7
16	1327164	Seal	1
16	1330281	Terminal	4
16	1521989	Terminal	3
17	Connector Assembly (ACC 2)	1
17	1514602	Connector	1
17	1514603	Connector (Secondary Lock)	1
17	1330439	Plug	1
17	1554359	Terminal	3
18	Connector Assembly (Endcap)	1
18	1514597	Connector	1
18	1330439	Plug	4
19	275495	Conduit	AR
20	1534329	Clip	1
21	1540388	Conduit	AR
22	1531490	Conduit	1
23	275493	Conduit	AR
24	Connector Assembly (Hydraulic Filter)	1
24	1329152	Plug	1
24	1329151	Terminal	1
24	1330281	Terminal	2
24	1402888	Seal (Purple)	2
25	Connector Assembly (Endcap)	1
25	1329150	Connector	1
25	1329151	Terminal	1
25	1327164	Seal	2
26	Connector Assembly (Power Distribution Module)	1
26	1521186	Connector	1
26	1521188	Lock	1

WIRE HARNESS
RH CHASSIS – GM 4.3L LPG AND KUBOTA 3.8L DIESEL (→ 4/2014)

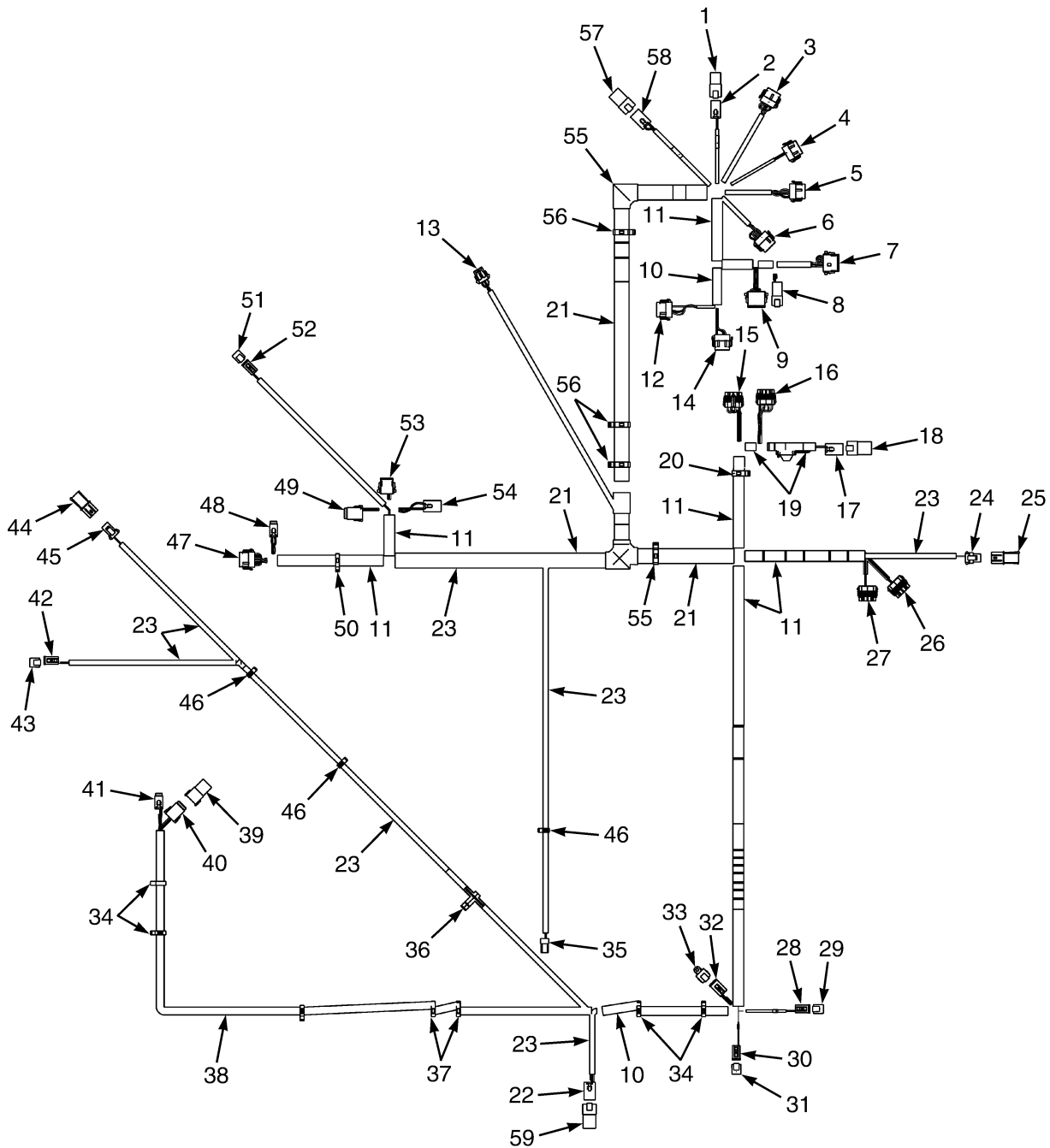
ITEM	PART NO.	DESCRIPTION	QTY
26	1323579	Seal	7
26	1327164	Seal	1
26	1521989	Terminal	7
27	Connector Assembly (Power Distribution Module)	1
27	1521185	Connector	1
27	1521188	Lock	1
27	1323579	Seal	8
27	1330281	Terminal	5
27	1521989	Terminal	3
28	Connector Assembly (Hood Switch/Keyswitch)	1
28	1490242	Connector (2 Way)	1
28	1490243	Connector (Secondary Lock) (Secondary Lock)	1
28	1330438	Terminal (Socket)	2
29	Connector Assembly (Endcap)	1
29	1626727	Connector	1
30	Connector Assembly (Alternate Horn Button)	1
30	1490242	Connector (2 Way)	1
30	1490243	Connector (Secondary Lock) (Secondary Lock)	1
30	1330438	Terminal (Socket)	2
31	Connector Assembly (Endcap)	1
31	1626727	Connector	1
32	Connector Assembly (Bus Terminal 2)	1
32	1489656	Connector (4-Way)	1
32	1489657	Connector (Secondary Lock) (Secondary Lock)	1
32	1330438	Terminal (Socket)	4
33	Connector Assembly (Endcap with Resistor)	1
33	1525577	Connector (With Resistor)	1
34	1509890	Clip	3
35	Connector Assembly (Hydraulic Temperature)	1
35	1402868	Connector	1
35	1323576	Terminal	2
36	1587778	Clip	1
37	1402815	Clip	2
38	1699754	Conduit	AR
39	Connector Assembly (Endcap)	1
39	1541988	Connector (8 Pin)	1
39	1484377	Plug	8
40	Connector Assembly (To MLM Harness)	1
40	1541991	Connector	1
40	1541992	Connector (Secondary Lock) (Secondary Lock)	1
40	1463139	Terminal	5
40	1484377	Plug	3
41	Connector Assembly (To Seat Harness)	1
41	1531973	Connector	1
41	1531974	Connector (Secondary Lock) (Secondary Lock)	1
41	1463139	Terminal	4
41	1484377	Plug	2
42	Connector Assembly (Backup Alarm)	1
42	1490242	Connector (2 Way)	1
42	1490243	Connector (Secondary Lock) (Secondary Lock)	1

WIRE HARNESS

RH CHASSIS – GM 4.3L LPG AND KUBOTA 3.8L DIESEL (→ 4/2014)

ITEM	PART NO.	DESCRIPTION	QTY
42	1330438	Terminal (Socket)	2
43	Connector Assembly (Endcap)	1
43	1626727	Connector	1
44	Connector Assembly (Endcap)	1
44	1329150	Connector	1
44	1329151	Terminal	1
44	1327164	Seal	2
45	Connector Assembly (Coolant Level)	1
45	4052151	Connector	1
45	1329151	Terminal	1
45	1330281	Terminal	2
45	1402888	Seal (Purple)	2
46	1509888	Clip	3
47	Connector Assembly (To Transmission Harness)	1
47	1525567	Connector	1
47	1529046	Connector (Secondary Lock) (Secondary Lock)	1
47	1463139	Terminal	12
48	Connector Assembly (To Transmission Harness)	1
48	1531973	Connector	1
48	1531974	Connector (Secondary Lock) (Secondary Lock)	1
48	1463139	Terminal	6
49	Connector Assembly (To Engine Harness)	1
49	1541991	Connector	1
49	1541992	Connector (Secondary Lock) (Secondary Lock)	1
49	1463139	Terminal	8
50	1500899	Clip	1
51	Connector Assembly (Endcap)	1
51	1626727	Connector	1
52	Connector Assembly (Hydraulic Solenoid)	1
52	1490242	Connector (2 Way)	1
52	1490243	Connector (Secondary Lock) (Secondary Lock)	1
52	1330438	Terminal (Socket)	2
53	Connector Assembly (To Engine Harness)	1
53	1502625	Connector	1
53	1502626	Connector (Secondary Lock) (Secondary Lock)	1
53	1330438	Terminal (Socket)	7
53	1484377	Plug	1
54	Connector Assembly (To Engine Harness)	1
54	1514602	Connector	1
54	1514603	Connector (Secondary Lock) (Secondary Lock)	1
54	1554359	Terminal	4
55	1560692	Conduit (Elbow)	3
56	1534282	Clip	4
57	Connector Assembly (Endcap)	1
57	1514597	Connector	1
57	1330439	Plug	4
58	Connector Assembly (To Lights/Cab Harness)	1
58	1514602	Connector	1
58	1514603	Connector (Secondary Lock) (Secondary Lock)	1
58	1554359	Terminal	4

WIRE HARNESS (FIGURE 5-41) RH CHASSIS — GM 4.3L LPG AND KUBOTA 3.8L DIESEL (4/2014 →)



BP081699

WIRE HARNESS
RH CHASSIS – GM 4.3L LPG AND KUBOTA 3.8L DIESEL (4/2014 →)

ITEM	PART NO.	DESCRIPTION	QTY
	4630268	Wire Harness (RH Chassis)	1
1	Connector Assembly (Endcap)	1
1	4060737	Connector	1
1	1330439	Plug	2
2	Connector Assembly (ACC 1)	1
2	4047664	Connector	1
2	1546697	Connector (Secondary Lock) (Secondary Lock)	1
2	1330439	Plug	2
3	Connector Assembly (Vehicle Systems Manager)	1
3	1525570	Connector	1
3	1530037	Connector (Secondary Lock) (Secondary Lock)	1
3	1463139	Terminal	9
3	1484377	Plug	3
4	Connector Assembly (Vehicle Systems Manager)	1
4	1525569	Connector	1
4	1530037	Connector (Secondary Lock) (Secondary Lock)	1
4	1463139	Terminal	2
4	1484377	Plug	10
5	Connector Assembly (Vehicle Systems Manager)	1
5	1525568	Connector	1
5	1530037	Connector (Secondary Lock) (Secondary Lock)	1
5	1463139	Terminal	7
5	1484377	Plug	5
6	Connector Assembly (Vehicle Systems Manager)	1
6	1525567	Connector	1
6	1530037	Connector (Secondary Lock) (Secondary Lock)	1
6	1463139	Terminal	9
6	1484377	Plug	3
6	4053052	Terminal	1
7	Connector Assembly (Vehicle Systems Manager)	1
7	1525563	Connector	1
7	1500913	Connector (Secondary Lock) (Secondary Lock)	1
7	1330438	Terminal (Socket)	8
7	1363886	Terminal (Socket)	4
8	Connector Assembly (To Cowl Harness)	1
8	1489655	Connector (4 Way)	1
8	1330416	Connector (Secondary Lock) (Secondary Lock)	1
8	1330437	Terminal (Pin)	4
9	Connector Assembly (To Cowl Harness)	1
9	1493428	Connector (12-Way)	1
9	1500913	Connector (Secondary Lock) (Secondary Lock)	1
9	1330438	Terminal (Socket)	10
9	1484377	Plug	2
10	275496	Conduit	AR
11	275497	Conduit	AR
12	Connector Assembly (Vehicle Systems Manager)	1
12	1525567	Connector	1
12	1529046	Connector (Secondary Lock) (Secondary Lock)	1
12	1463139	Terminal	3
12	1484377	Plug	9

WIRE HARNESS

RH CHASSIS – GM 4.3L LPG AND KUBOTA 3.8L DIESEL (4/2014 →)

ITEM	PART NO.	DESCRIPTION	QTY
13	Connector Assembly (Horn)	1
13	1476064	Connector	1
13	1476109	Connector Lock	1
13	1330356	Seal	2
13	1330355	Terminal	3
13	1476108	Wire Seal (White)	1
14	Connector Assembly (Vehicle Systems Manager)	1
14	1525569	Connector	1
14	1529046	Connector (Secondary Lock) (Secondary Lock)	1
14	1463139	Terminal	3
14	1484377	Plug	9
15	Connector Assembly (Power Distribution Module)	1
15	1521184	Connector	1
15	1521188	Lock	1
15	1323579	Seal	5
15	1327164	Seal	1
15	1330281	Terminal	6
15	1521989	Terminal	1
15	1402888	Seal (Purple)	2
16	Connector Assembly (Power Distribution Module)	1
16	1521183	Connector	1
16	1521188	Lock	1
16	1323579	Seal	7
16	1327164	Seal	1
16	1330281	Terminal	4
16	1521989	Terminal	3
17	Connector Assembly (ACC 2)	1
17	1632865	Connector	1
17	1514603	Connector (Secondary Lock)	1
17	1330439	Plug	1
17	1554359	Terminal	3
18	Connector Assembly (Endcap)	1
18	4047669	Connector	1
18	1330439	Plug	4
19	275495	Conduit	AR
20	1534329	Clip	1
21	1540388	Conduit	AR
22	Connector Assembly (To Seat Switch Harness)	1
22	1632865	Connector	1
22	1514603	Connector (Secondary Lock)	1
22	1554359	Terminal	4
23	275493	Conduit	AR
24	Connector Assembly (Hydraulic Filter)	1
24	1329152	Plug	1
24	1329151	Terminal	1
24	1330281	Terminal	2
24	1402888	Seal (Purple)	2
25	Connector Assembly (Endcap)	1
25	1329150	Connector	1
25	1329151	Terminal	1

WIRE HARNESS
RH CHASSIS – GM 4.3L LPG AND KUBOTA 3.8L DIESEL (4/2014 →)

ITEM	PART NO.	DESCRIPTION	QTY
25	1327164	Seal	2
26	Connector Assembly (Power Distribution Module)	1
26	1521186	Connector	1
26	1521188	Lock	1
26	1323579	Seal	7
26	1327164	Seal	1
26	1521989	Terminal	7
27	Connector Assembly (Power Distribution Module)	1
27	1521185	Connector	1
27	1521188	Lock	1
27	1323579	Seal	8
27	1330281	Terminal	5
27	1521989	Terminal	3
28	Connector Assembly (Hood Switch/Keyswitch)	1
28	1490242	Connector (2 Way)	1
28	1490243	Connector (Secondary Lock) (Secondary Lock)	1
28	1330438	Terminal (Socket)	2
29	Connector Assembly (Endcap)	1
29	1626727	Connector	1
30	Connector Assembly (Alternate Horn Button)	1
30	1490242	Connector (2 Way)	1
30	1490243	Connector (Secondary Lock) (Secondary Lock)	1
30	1330438	Terminal (Socket)	2
31	Connector Assembly (Endcap)	1
31	1626727	Connector	1
32	Connector Assembly (Bus Terminal 2)	1
32	1489656	Connector (4-Way)	1
32	1489657	Connector (Secondary Lock) (Secondary Lock)	1
32	1330438	Terminal (Socket)	4
33	Connector Assembly (Endcap with Resistor)	1
33	4036523	Cap	1
34	1509890	Clip	3
35	Connector Assembly (Hydraulic Temperature)	1
35	1402868	Connector	1
35	1323576	Terminal	2
36	1587778	Clip	1
37	1402815	Clip	2
38	1699754	Conduit	AR
39	Connector Assembly (Endcap)	1
39	1541988	Connector (8 Pin)	1
39	1484377	Plug	8
40	Connector Assembly (To MLM Harness)	1
40	1541991	Connector	1
40	1541992	Connector (Secondary Lock) (Secondary Lock)	1
40	1463139	Terminal	5
40	1484377	Plug	3
41	Connector Assembly (To Seat Harness)	1
41	1531973	Connector	1
41	1531974	Connector (Secondary Lock) (Secondary Lock)	1
41	1463139	Terminal	4

WIRE HARNESS

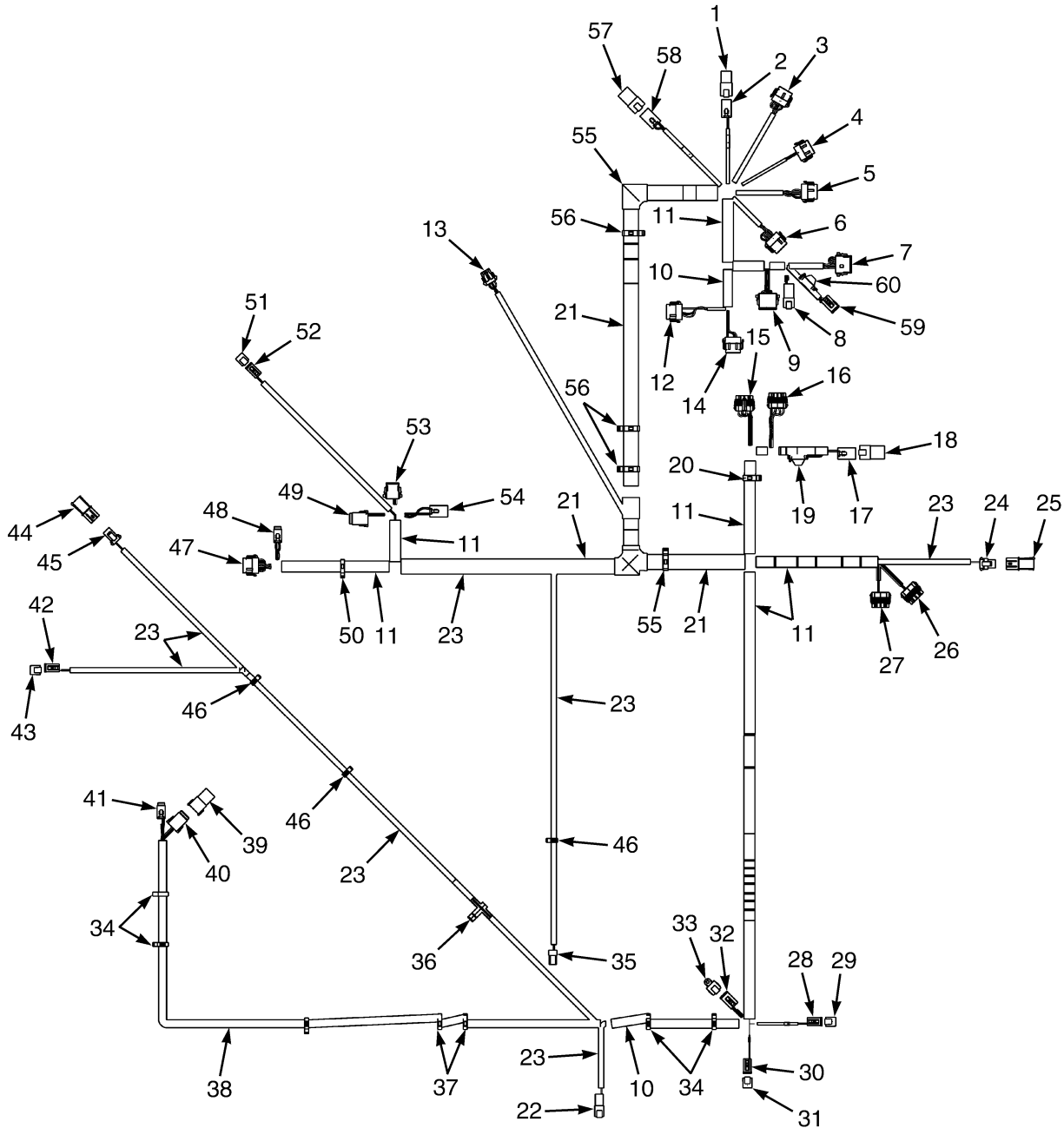
RH CHASSIS – GM 4.3L LPG AND KUBOTA 3.8L DIESEL (4/2014 →)

ITEM	PART NO.	DESCRIPTION	QTY
41	1484377	Plug	2
42	Connector Assembly (Backup Alarm)	1
42	1490242	Connector (2 Way)	1
42	1490243	Connector (Secondary Lock) (Secondary Lock)	1
42	1330438	Terminal (Socket)	2
43	Connector Assembly (Endcap)	1
43	1626727	Connector	1
44	Connector Assembly (Endcap)	1
44	1329150	Connector	1
44	1329151	Terminal	1
44	1327164	Seal	2
45	Connector Assembly (Coolant Level)	1
45	4052151	Connector	1
45	1329151	Terminal	1
45	1330281	Terminal	2
45	1402888	Seal (Purple)	2
46	1509888	Clip	3
47	Connector Assembly (To Transmission Harness)	1
47	1525567	Connector	1
47	1529046	Connector (Secondary Lock) (Secondary Lock)	1
47	1463139	Terminal	12
48	Connector Assembly (To Transmission Harness)	1
48	1531973	Connector	1
48	1531974	Connector (Secondary Lock) (Secondary Lock)	1
48	1463139	Terminal	6
49	Connector Assembly (To Engine Harness)	1
49	1541991	Connector	1
49	1541992	Connector (Secondary Lock) (Secondary Lock)	1
49	1463139	Terminal	8
50	1500899	Clip	1
51	Connector Assembly (Endcap)	1
51	1626727	Connector	1
52	Connector Assembly (Hydraulic Solenoid)	1
52	1490242	Connector (2 Way)	1
52	1490243	Connector (Secondary Lock) (Secondary Lock)	1
52	1330438	Terminal (Socket)	2
53	Connector Assembly (To Engine Harness)	1
53	1502625	Connector	1
53	1502626	Connector (Secondary Lock) (Secondary Lock)	1
53	1330438	Terminal (Socket)	7
53	1484377	Plug	1
54	Connector Assembly (To Engine Harness)	1
54	1632865	Connector	1
54	1514603	Connector (Secondary Lock) (Secondary Lock)	1
54	1554359	Terminal	4
55	1560692	Conduit (Elbow)	3
56	1534282	Clip	4
57	Connector Assembly (Endcap)	1
57	4047669	Connector	1
57	1330439	Plug	4

WIRE HARNESS
RH CHASSIS – GM 4.3L LPG AND KUBOTA 3.8L DIESEL (4/2014 →)

ITEM	PART NO.	DESCRIPTION	QTY
58	Connector Assembly (To Lights/Cab Harness)	1
58	1632865	Connector	1
58	1514603	Connector (Secondary Lock) (Secondary Lock)	1
58	1554359	Terminal	4
59	Connector Assembly (End Cap)	1
59	4047669	Connector	1
59	1330439	Plug	4

WIRE HARNESS (FIGURE 5-42) RH CHASSIS WITH SEAT BELT SEQUENCE MODULE — GM 4.3L LPG AND KUBOTA 3.8L DIESEL



BP081724

WIRE HARNESS**RH CHASSIS WITH SEAT BELT SEQUENCE MODULE – GM 4.3L LPG AND KUBOTA 3.8L DIESEL**

ITEM	PART NO.	DESCRIPTION	QTY
	4635135	Wire Harness (RH Chassis)	1
1	Connector Assembly (Endcap)	1
1	4060737	Connector	1
1	1330439	Plug	2
2	Connector Assembly (ACC 1)	1
2	4047664	Connector	1
2	1546697	Connector (Secondary Lock) (Secondary Lock)	1
2	1330439	Plug	2
3	Connector Assembly (Vehicle Systems Manager)	1
3	1525570	Connector	1
3	1530037	Connector (Secondary Lock) (Secondary Lock)	1
3	1463139	Terminal	9
3	1484377	Plug	3
4	Connector Assembly (Vehicle Systems Manager)	1
4	1525569	Connector	1
4	1530037	Connector (Secondary Lock) (Secondary Lock)	1
4	1463139	Terminal	2
4	1484377	Plug	10
5	Connector Assembly (Vehicle Systems Manager)	1
5	1525568	Connector	1
5	1530037	Connector (Secondary Lock) (Secondary Lock)	1
5	1463139	Terminal	7
5	1484377	Plug	5
6	Connector Assembly (Vehicle Systems Manager)	1
6	1525567	Connector	1
6	1530037	Connector (Secondary Lock) (Secondary Lock)	1
6	1463139	Terminal	9
6	1484377	Plug	3
6	4053052	Terminal	1
7	Connector Assembly (Vehicle Systems Manager)	1
7	1525563	Connector	1
7	1500913	Connector (Secondary Lock)	1
7	1330438	Terminal (Socket)	8
7	1363886	Terminal (Socket)	4
8	Connector Assembly (To Cowl Harness)	1
8	1489655	Connector (4 Way)	1
8	1330416	Connector (Secondary Lock)	1
8	1330437	Terminal (Pin)	4
9	Connector Assembly (To Cowl Harness)	1
9	1493428	Connector (12-Way)	1
9	1500913	Connector (Secondary Lock)	1
9	1330438	Terminal (Socket)	10
9	1484377	Plug	2
10	275496	Conduit	AR
11	275497	Conduit	AR
12	Connector Assembly (Vehicle Systems Manager)	1
12	1525567	Connector	1
12	1529046	Connector (Secondary Lock) (Secondary Lock)	1
12	1463139	Terminal	3
12	1484377	Plug	9

WIRE HARNESS

RH CHASSIS WITH SEAT BELT SEQUENCE MODULE – GM 4.3L LPG AND KUBOTA 3.8L DIESEL

ITEM	PART NO.	DESCRIPTION	QTY
13	Connector Assembly (Horn)	1
13	1476064	Connector	1
13	1476109	Connector Lock	1
13	1330356	Seal	2
13	1330355	Terminal	3
13	1476108	Wire Seal (White)	1
14	Connector Assembly (Vehicle Systems Manager)	1
14	1525569	Connector	1
14	1529046	Connector (Secondary Lock) (Secondary Lock)	1
14	1463139	Terminal	3
14	1484377	Plug	9
15	Connector Assembly (Power Distribution Module)	1
15	1521184	Connector	1
15	1521188	Lock	1
15	1323579	Seal	5
15	1327164	Seal	1
15	1330281	Terminal	6
15	1521989	Terminal	1
15	1402888	Seal (Purple)	2
16	Connector Assembly (Power Distribution Module)	1
16	1521183	Connector	1
16	1521188	Lock	1
16	1323579	Seal	7
16	1327164	Seal	1
16	1330281	Terminal	4
16	1521989	Terminal	3
17	Connector Assembly (ACC 2)	1
17	1632865	Connector	1
17	1514603	Connector (Secondary Lock)	1
17	1330439	Plug	1
17	1554359	Terminal	3
18	Connector Assembly (Endcap)	1
18	4047669	Connector	1
18	1330439	Plug	4
19	1602431	Fuse Holder	1
19	1498044	Fuse (5 Amp)	1
20	1534329	Clip	1
21	1540388	Conduit	AR
22	Connector Assembly (To Seat Switch Harness)	1
22	1493465	Connector (2 Pin)	1
22	1330414	Connector (Secondary Lock)	1
22	1330437	Terminal (Pin)	2
23	275493	Conduit	AR
24	Connector Assembly (Hydraulic Filter)	1
24	1329152	Plug	1
24	1329151	Terminal	1
24	1330281	Terminal	2
24	1402888	Seal (Purple)	2
25	Connector Assembly (Endcap)	1
25	1329150	Connector	1

WIRE HARNESS**RH CHASSIS WITH SEAT BELT SEQUENCE MODULE – GM 4.3L LPG AND KUBOTA 3.8L DIESEL**

ITEM	PART NO.	DESCRIPTION	QTY
25	1329151	Terminal	1
25	1327164	Seal	2
26	Connector Assembly (Power Distribution Module)	1
26	1521186	Connector	1
26	1521188	Lock	1
26	1323579	Seal	7
26	1327164	Seal	1
26	1521989	Terminal	7
27	Connector Assembly (Power Distribution Module)	1
27	1521185	Connector	1
27	1521188	Lock	1
27	1323579	Seal	8
27	1330281	Terminal	5
27	1521989	Terminal	3
28	Connector Assembly (Hood Switch/Keyswitch)	1
28	1490242	Connector (2 Way)	1
28	1490243	Connector (Secondary Lock)	1
28	1330438	Terminal (Socket)	2
29	Connector Assembly (Endcap)	1
29	1626727	Connector	1
30	Connector Assembly (Alternate Horn Button)	1
30	1490242	Connector (2 Way)	1
30	1490243	Connector (Secondary Lock)	1
30	1330438	Terminal (Socket)	2
31	Connector Assembly (Endcap)	1
31	1626727	Connector	1
32	Connector Assembly (Bus Terminal 2)	1
32	1489656	Connector (4-Way)	1
32	1489657	Connector (Secondary Lock) (Secondary Lock)	1
32	1330438	Terminal (Socket)	4
33	Connector Assembly (Endcap with Resistor)	1
33	4036523	Cap	1
34	1509890	Clip	3
35	Connector Assembly (Hydraulic Temperature)	1
35	1402868	Connector	1
35	1323576	Terminal	2
36	1587778	Clip	1
37	1402815	Clip	2
38	1699754	Conduit	AR
39	Connector Assembly (Endcap)	1
39	1541988	Connector (8 Pin)	1
39	1484377	Plug	8
40	Connector Assembly (To MLM Harness)	1
40	1541991	Connector	1
40	1541992	Connector (Secondary Lock) (Secondary Lock)	1
40	1463139	Terminal	5
40	1484377	Plug	3
41	Connector Assembly (To Seat Harness)	1
41	1531973	Connector	1
41	1531974	Connector (Secondary Lock)	1

WIRE HARNESS

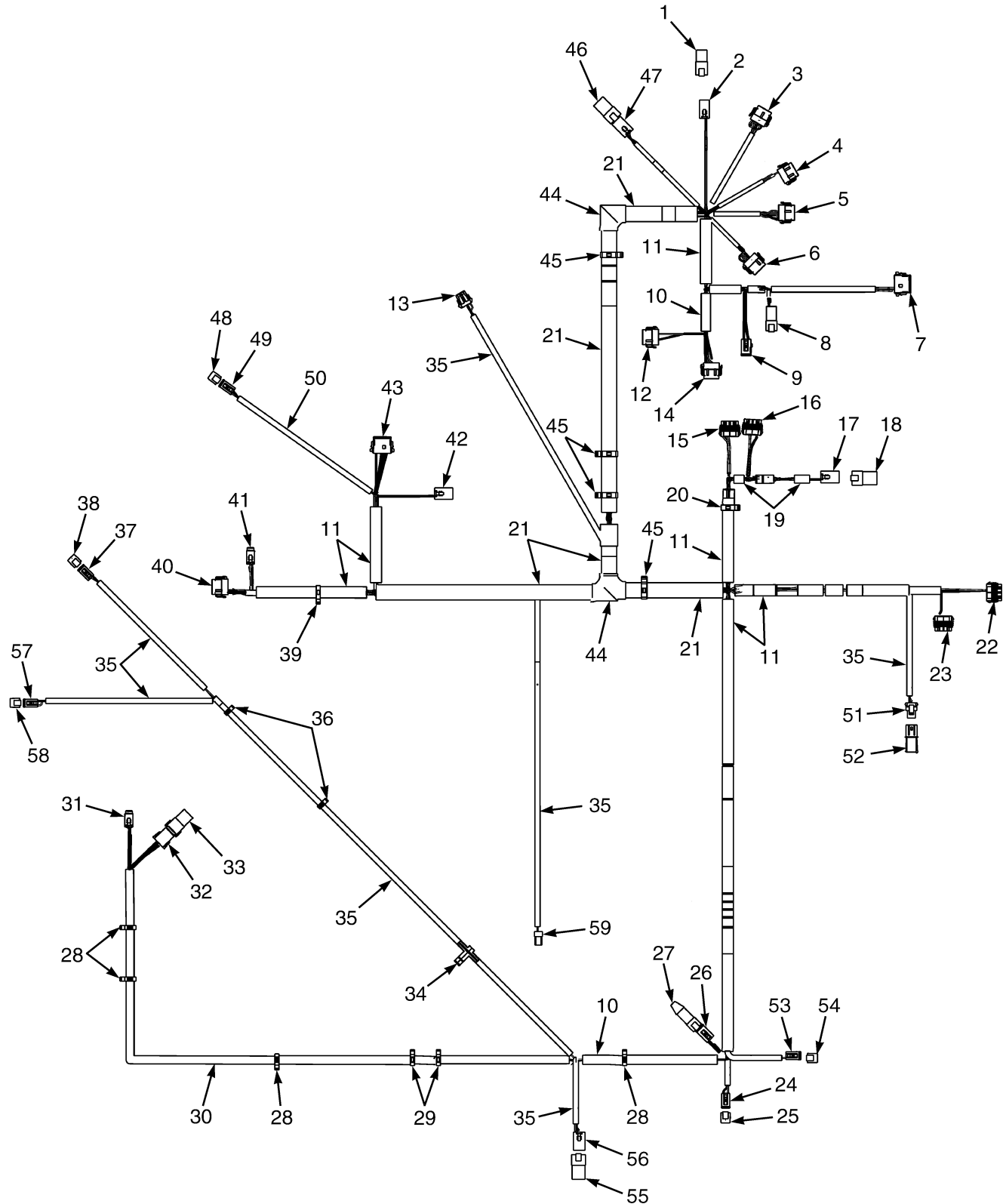
RH CHASSIS WITH SEAT BELT SEQUENCE MODULE – GM 4.3L LPG AND KUBOTA 3.8L DIESEL

ITEM	PART NO.	DESCRIPTION	QTY
41	1463139	Terminal	4
41	1484377	Plug	2
42	Connector Assembly (Backup Alarm)	1
42	1490242	Connector (2 Way)	1
42	1490243	Connector (Secondary Lock)	1
42	1330438	Terminal (Socket)	2
43	Connector Assembly (Endcap)	1
43	1626727	Connector	1
44	Connector Assembly (Endcap)	1
44	1329150	Connector	1
44	1329151	Terminal	1
44	1327164	Seal	2
45	Connector Assembly (Coolant Level)	1
45	4052151	Connector	1
45	1329151	Terminal	1
45	1330281	Terminal	2
45	1402888	Seal (Purple)	2
46	1509888	Clip	3
47	Connector Assembly (To Transmission Harness)	1
47	1525567	Connector	1
47	1529046	Connector (Secondary Lock) (Secondary Lock)	1
47	1463139	Terminal	12
48	Connector Assembly (To Transmission Harness)	1
48	1531973	Connector	1
48	1531974	Connector (Secondary Lock)	1
48	1463139	Terminal	6
49	Connector Assembly (To Engine Harness)	1
49	1541991	Connector	1
49	1541992	Connector (Secondary Lock) (Secondary Lock)	1
49	1463139	Terminal	8
50	1500899	Clip	1
51	Connector Assembly (Endcap)	1
51	1626727	Connector	1
52	Connector Assembly (Hydraulic Solenoid)	1
52	1490242	Connector (2 Way)	1
52	1490243	Connector (Secondary Lock)	1
52	1330438	Terminal (Socket)	2
53	Connector Assembly (To Engine Harness)	1
53	1502625	Connector	1
53	1502626	Connector (Secondary Lock) (Secondary Lock)	1
53	1330438	Terminal (Socket)	7
53	1484377	Plug	1
54	Connector Assembly (To Engine Harness)	1
54	1632865	Connector	1
54	1514603	Connector (Secondary Lock)	1
54	1554359	Terminal	4
55	1560692	Conduit (Elbow)	3
56	1534282	Clip	4
57	Connector Assembly (Endcap)	1
57	4047669	Connector	1

WIRE HARNESS**RH CHASSIS WITH SEAT BELT SEQUENCE MODULE – GM 4.3L LPG AND KUBOTA 3.8L DIESEL**

ITEM	PART NO.	DESCRIPTION	QTY
57	1330439	Plug	4
58	Connector Assembly (To Lights/Cab Harness)	1
58	1632865	Connector	1
58	1514603	Connector (Secondary Lock)	1
58	1554359	Terminal	4
59	Connector Assembly (Seat Belt Sequence Module)	1
59	1502625	Connector	1
59	1502626	Connector (Secondary Lock) (Secondary Lock)	1
59	1330438	Terminal (Socket)	6
59	1484377	Plug	2
60	1602431	Fuse Holder	1
60	1498044	Fuse (5 Amp)	1

WIRE HARNESS (FIGURE 5-43) RH CHASSIS — KUBOTA DIESEL (3.6L)



BP081585

WIRE HARNESS
RH CHASSIS – KUBOTA DIESEL (3.6L)

ITEM	PART NO.	DESCRIPTION	QTY
	4629764	Wire Harness (RH Chassis) (RH Chassis)	1
1	Connector Assembly (Endcap)	1
1	1480187	Connector	1
1	1480188	Connector (Secondary Lock) (Secondary Lock)	1
1	1330439	Plug	2
2	Connector Assembly (ACC 1)	1
2	4047664	Connector	1
2	1546697	Connector (Secondary Lock) (Secondary Lock)	1
2	1554359	Terminal	2
3	Connector Assembly (Vehicle Systems Manager)	1
3	1525570	Connector	1
3	1530037	Connector (Secondary Lock) (Secondary Lock)	1
3	1463139	Terminal	9
3	1484377	Plug	3
4	Connector Assembly (Vehicle Systems Manager)	1
4	1525569	Connector	1
4	1530037	Connector (Secondary Lock) (Secondary Lock)	1
4	1463139	Terminal	2
4	1484377	Plug	10
5	Connector Assembly (Vehicle Systems Manager)	1
5	1525568	Connector	1
5	1530037	Connector (Secondary Lock) (Secondary Lock)	1
5	1463139	Terminal	7
5	1484377	Plug	5
6	Connector Assembly (Vehicle Systems Manager)	1
6	1525567	Connector	1
6	1530037	Connector (Secondary Lock) (Secondary Lock)	1
6	1463139	Terminal	9
6	1484377	Plug	3
7	Connector Assembly (Vehicle Systems Manager)	1
7	1525563	Connector	1
7	1500913	Connector (Secondary Lock) (Secondary Lock)	1
7	1330438	Terminal (Socket)	8
7	1363886	Terminal (Socket)	4
8	Connector Assembly (To Cowl Harness)	1
8	1489655	Connector (4 Way)	1
8	1330416	Connector (Secondary Lock) (Secondary Lock)	1
8	1330437	Terminal (Pin)	4
9	Connector Assembly (To Cowl Harness)	1
9	1493428	Connector (12-Way)	1
9	1500913	Connector (Secondary Lock) (Secondary Lock)	1
9	1330438	Terminal (Socket)	10
9	1484377	Plug	2
10	275496	Conduit	AR
11	275497	Conduit	AR
12	Connector Assembly (Vehicle Systems Manager)	1
12	1525567	Connector	1
12	1529046	Connector (Secondary Lock) (Secondary Lock)	1
12	1463139	Terminal	3
12	1484377	Plug	9

WIRE HARNESS RH CHASSIS – KUBOTA DIESEL (3.6L)

ITEM	PART NO.	DESCRIPTION	QTY
13	Connector Assembly (Horn)	1
13	1476064	Connector	1
13	1476109	Connector Lock	1
13	1330356	Seal	2
13	1330355	Terminal	3
13	1476108	Wire Seal (White)	1
14	Connector Assembly (Vehicle Systems Manager)	1
14	1525569	Connector	1
14	1529046	Connector (Secondary Lock) (Secondary Lock)	1
14	1463139	Terminal	9
14	1484377	Plug	3
15	Connector Assembly (Power Distribution Module)	1
15	1521184	Connector	1
15	1521188	Lock	1
15	1323579	Seal	5
15	1327164	Seal	2
15	1330281	Terminal	5
15	1521989	Terminal	1
15	1402888	Seal (Purple)	2
16	Connector Assembly (Power Distribution Module)	1
16	1521183	Connector	1
16	1521188	Lock	1
16	1323579	Seal	7
16	1327164	Seal	1
16	1330281	Terminal	4
16	1521989	Terminal	3
17	Connector Assembly (ACC 2)	1
17	1632865	Connector	1
17	1514603	Connector (Secondary Lock)	1
17	1330439	Plug	1
17	1554359	Terminal	3
18	Connector Assembly (Endcap)	1
18	4047669	Connector	1
18	1514598	Connector (Secondary Lock) (Secondary Lock)	1
18	1330439	Plug	4
19	275495	Conduit	AR
20	1534329	Clip	1
21	1540388	Conduit	AR
22	Connector Assembly (Power Distribution Module)	1
22	1521186	Connector	1
22	1521188	Lock	1
22	1323579	Seal	7
22	1327164	Seal	1
22	1521989	Terminal	7
23	Connector Assembly (Power Distribution Module)	1
23	1521185	Connector	1
23	1521188	Lock	1
23	1323579	Seal	8
23	1330281	Terminal	6
23	1521989	Terminal	2

WIRE HARNESS
RH CHASSIS – KUBOTA DIESEL (3.6L)

ITEM	PART NO.	DESCRIPTION	QTY
24	Connector Assembly (Alternate Horn Button)	1
24	1490242	Connector (2 Way)	1
24	1490243	Connector (Secondary Lock) (Secondary Lock)	1
24	1330438	Terminal (Socket)	2
25	Connector Assembly (Endcap)	1
25	1626727	Connector	1
26	Connector Assembly (Bus Terminal 2)	1
26	1489656	Connector (4-Way)	1
26	1489657	Connector (Secondary Lock) (Secondary Lock)	1
26	1330438	Terminal (Socket)	4
27	Connector Assembly (Endcap with Resistor)	1
27	1525577	Connector (With Resistor)	1
28	1509890	Clip	3
29	1402815	Clip	2
30	1699754	Conduit	AR
31	Connector Assembly (To Seat Harness)	1
31	1531973	Connector	1
31	1531974	Connector (Secondary Lock) (Secondary Lock)	1
31	1463139	Terminal	4
31	1484377	Plug	2
32	Connector Assembly (To MLM Harness)	1
32	1541991	Connector	1
32	1541992	Connector (Secondary Lock) (Secondary Lock)	1
32	1463139	Terminal	5
32	1484377	Plug	3
33	Connector Assembly (Endcap)	1
33	1541988	Connector (8 Pin)	1
33	1484377	Plug	8
34	1587778	Clip	1
35	275493	Conduit	AR
36	1509888	Clip	3
37	Connector Assembly (Back-Up Alarm)	1
37	1490242	Connector (2 Way)	1
37	1330438	Terminal (Socket)	2
37	1490243	Connector (Secondary Lock)	1
38	Connector Assembly (Endcap)	1
38	1626727	Connector	1
39	1500899	Clip	1
40	Connector Assembly (To Transmission Harness)	1
40	1525567	Connector	1
40	1529046	Connector (Secondary Lock) (Secondary Lock)	1
40	1463139	Terminal	12
41	Connector Assembly (To Transmission Harness)	1
41	1531973	Connector	1
41	1531974	Connector (Secondary Lock) (Secondary Lock)	1
41	1463139	Terminal	6
42	Connector Assembly (To Engine Harness)	1
42	1632865	Connector	1
42	1514603	Connector (Secondary Lock) (Secondary Lock)	1
42	1330439	Plug	1

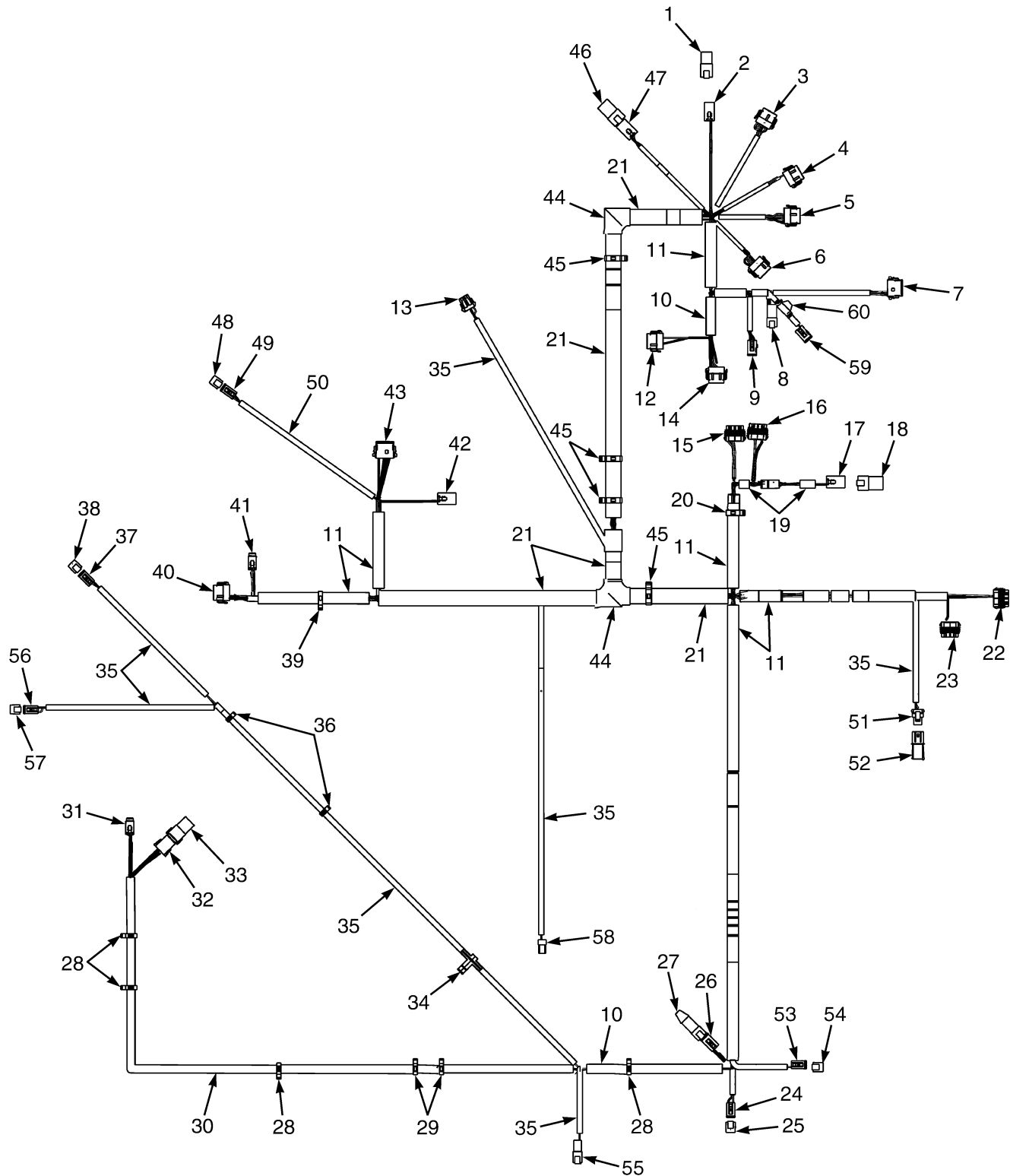
WIRE HARNESS RH CHASSIS – KUBOTA DIESEL (3.6L)

ITEM	PART NO.	DESCRIPTION	QTY
42	1554359	Terminal	3
43	Connector Assembly (To Engine Harness)	1
43	1525563	Connector	1
43	1500913	Connector (Secondary Lock) (Secondary Lock)	1
43	1330438	Terminal (Socket)	10
44	1560692	Conduit (Elbow)	3
45	1534282	Clip	4
46	Connector Assembly (Endcap)	1
46	4047669	Connector	1
46	1330439	Plug	4
47	Connector Assembly (To Lights/Cab Harness)	1
47	1632865	Connector	1
47	1514603	Connector (Secondary Lock) (Secondary Lock)	1
47	1554359	Terminal	4
48	Connector Assembly (Hydraulic Solenoid)	1
48	1490242	Connector (2 Way)	1
48	1490243	Connector (Secondary Lock)	1
48	1330438	Terminal (Socket)	2
49	Connector Assembly (End Cap)	1
49	1626727	Connector	1
50	275493	Conduit	AR
51	Connector Assembly (Hydraulic Filter)	1
51	1329152	Plug	1
51	1329151	Terminal	1
51	1330281	Terminal	2
51	1402888	Seal (Purple)	2
52	Connector Assembly (End Cap)	1
52	1329150	Connector	1
52	1329151	Terminal	1
52	1327164	Seal	2
53	Connector Assembly (Hood Switch/Key Switch)	1
53	1490242	Connector (2 Way)	1
53	1490243	Connector (Secondary Lock)	1
53	1330438	Terminal (Socket)	1
54	Connector Assembly (End Cap)	1
54	1626727	Connector	1
55	Connector Assembly (End Cap)	1
55	4047669	Connector	1
55	1330439	Plug	4
56	Connector Assembly (To Seat Switch Harness)	1
56	1632865	Connector	1
56	1514603	Connector (Secondary Lock)	1
56	1554359	Terminal	4
57	Connector Assembly (Back-Up Alarm)	1
57	1490242	Connector (2 Way)	1
57	1490243	Connector (Secondary Lock)	1
57	1330438	Terminal (Socket)	1
58	Connector Assembly (End Cap)	1
58	1626727	Connector	1
59	Connector Assembly (Hydraulic Temperature)	1

WIRE HARNESS
RH CHASSIS – KUBOTA DIESEL (3.6L)

ITEM	PART NO.	DESCRIPTION	QTY
59	1402868	Connector	1
59	1323576	Terminal	2

WIRE HARNESS (FIGURE 5-44) RH CHASSIS WITH SEAT BELT SEQUENCE MODULE — KUBOTA DIESEL (3.6L)



BP081725

WIRE HARNESS
RH CHASSIS WITH SEAT BELT SEQUENCE MODULE – KUBOTA DIESEL (3.6L)

ITEM	PART NO.	DESCRIPTION	QTY
	4635136	Wire Harness (RH Chassis)	1
1	Connector Assembly (Endcap)	1
1	1480187	Connector	1
1	1480188	Connector (Secondary Lock) (Secondary Lock)	1
1	1330439	Plug	2
2	Connector Assembly (ACC 1)	1
2	4047664	Connector	1
2	1546697	Connector (Secondary Lock) (Secondary Lock)	1
2	1554359	Terminal	2
3	Connector Assembly (Vehicle Systems Manager)	1
3	1525570	Connector	1
3	1530037	Connector (Secondary Lock) (Secondary Lock)	1
3	1463139	Terminal	9
3	1484377	Plug	3
4	Connector Assembly (Vehicle Systems Manager)	1
4	1525569	Connector	1
4	1530037	Connector (Secondary Lock) (Secondary Lock)	1
4	1463139	Terminal	2
4	1484377	Plug	10
5	Connector Assembly (Vehicle Systems Manager)	1
5	1525568	Connector	1
5	1530037	Connector (Secondary Lock) (Secondary Lock)	1
5	1463139	Terminal	7
5	1484377	Plug	5
6	Connector Assembly (Vehicle Systems Manager)	1
6	1525567	Connector	1
6	1530037	Connector (Secondary Lock) (Secondary Lock)	1
6	1463139	Terminal	9
6	1484377	Plug	3
7	Connector Assembly (Vehicle Systems Manager)	1
7	1525563	Connector	1
7	1500913	Connector (Secondary Lock)	1
7	1330438	Terminal (Socket)	8
7	1363886	Terminal (Socket)	4
8	Connector Assembly (To Cowl Harness)	1
8	1489655	Connector (4 Way)	1
8	1330416	Connector (Secondary Lock)	1
8	1330437	Terminal (Pin)	4
9	Connector Assembly (To Cowl Harness)	1
9	1493428	Connector (12-Way)	1
9	1500913	Connector (Secondary Lock)	1
9	1330438	Terminal (Socket)	10
9	1484377	Plug	2
10	275496	Conduit	AR
11	275497	Conduit	AR
12	Connector Assembly (Vehicle Systems Manager)	1
12	1525567	Connector	1
12	1529046	Connector (Secondary Lock) (Secondary Lock)	1
12	1463139	Terminal	3
12	1484377	Plug	9

WIRE HARNESS

RH CHASSIS WITH SEAT BELT SEQUENCE MODULE – KUBOTA DIESEL (3.6L)

ITEM	PART NO.	DESCRIPTION	QTY
13	Connector Assembly (Horn)	1
13	1476064	Connector	1
13	1476109	Connector Lock	1
13	1330356	Seal	2
13	1330355	Terminal	3
13	1476108	Wire Seal (White)	1
14	Connector Assembly (Vehicle Systems Manager)	1
14	1525569	Connector	1
14	1529046	Connector (Secondary Lock) (Secondary Lock)	1
14	1463139	Terminal	9
14	1484377	Plug	3
15	Connector Assembly (Power Distribution Module)	1
15	1521184	Connector	1
15	1521188	Lock	1
15	1323579	Seal	5
15	1327164	Seal	2
15	1330281	Terminal	5
15	1521989	Terminal	1
15	1402888	Seal (Purple)	2
16	Connector Assembly (Power Distribution Module)	1
16	1521183	Connector	1
16	1521188	Lock	1
16	1323579	Seal	7
16	1327164	Seal	1
16	1330281	Terminal	4
16	1521989	Terminal	3
17	Connector Assembly (ACC 2)	1
17	1632865	Connector	1
17	1514603	Connector (Secondary Lock)	1
17	1330439	Plug	1
17	1554359	Terminal	3
18	Connector Assembly (Endcap)	1
18	4047669	Connector	1
18	1514598	Connector (Secondary Lock) (Secondary Lock)	1
18	1330439	Plug	4
19	275495	Conduit	AR
20	1534329	Clip	1
21	1540388	Conduit	AR
22	Connector Assembly (Power Distribution Module)	1
22	1521186	Connector	1
22	1521188	Lock	1
22	1323579	Seal	7
22	1327164	Seal	1
22	1521989	Terminal	7
23	Connector Assembly (Power Distribution Module)	1
23	1521185	Connector	1
23	1521188	Lock	1
23	1323579	Seal	8
23	1330281	Terminal	6
23	1521989	Terminal	2

WIRE HARNESS
RH CHASSIS WITH SEAT BELT SEQUENCE MODULE – KUBOTA DIESEL (3.6L)

ITEM	PART NO.	DESCRIPTION	QTY
24	Connector Assembly (Alternate Horn Button)	1
24	1490242	Connector (2 Way)	1
24	1490243	Connector (Secondary Lock)	1
24	1330438	Terminal (Socket)	2
25	Connector Assembly (Endcap)	1
25	1626727	Connector	1
26	Connector Assembly (Bus Terminal 2)	1
26	1489656	Connector (4-Way)	1
26	1489657	Connector (Secondary Lock) (Secondary Lock)	1
26	1330438	Terminal (Socket)	4
27	Connector Assembly (Endcap with Resistor)	1
27	1525577	Connector (With Resistor)	1
28	1509890	Clip	3
29	1402815	Clip	2
30	1699754	Conduit	AR
31	Connector Assembly (To Seat Harness)	1
31	1531973	Connector	1
31	1531974	Connector (Secondary Lock)	1
31	1463139	Terminal	4
31	1484377	Plug	2
32	Connector Assembly (To MLM Harness)	1
32	1541991	Connector	1
32	1541992	Connector (Secondary Lock) (Secondary Lock)	1
32	1463139	Terminal	5
32	1484377	Plug	3
33	Connector Assembly (Endcap)	1
33	1541988	Connector (8 Pin)	1
33	1484377	Plug	8
34	1587778	Clip	1
35	275493	Conduit	AR
36	1509888	Clip	3
37	Connector Assembly (Back-Up Alarm)	1
37	1490242	Connector (2 Way)	1
37	1330438	Terminal (Socket)	2
37	1490243	Connector (Secondary Lock)	1
38	Connector Assembly (Endcap)	1
38	1626727	Connector	1
39	1500899	Clip	1
40	Connector Assembly (To Transmission Harness)	1
40	1525567	Connector	1
40	1529046	Connector (Secondary Lock) (Secondary Lock)	1
40	1463139	Terminal	12
41	Connector Assembly (To Transmission Harness)	1
41	1531973	Connector	1
41	1531974	Connector (Secondary Lock)	1
41	1463139	Terminal	6
42	Connector Assembly (To Engine Harness)	1
42	1632865	Connector	1
42	1514603	Connector (Secondary Lock)	1
42	1330439	Plug	1

WIRE HARNESS

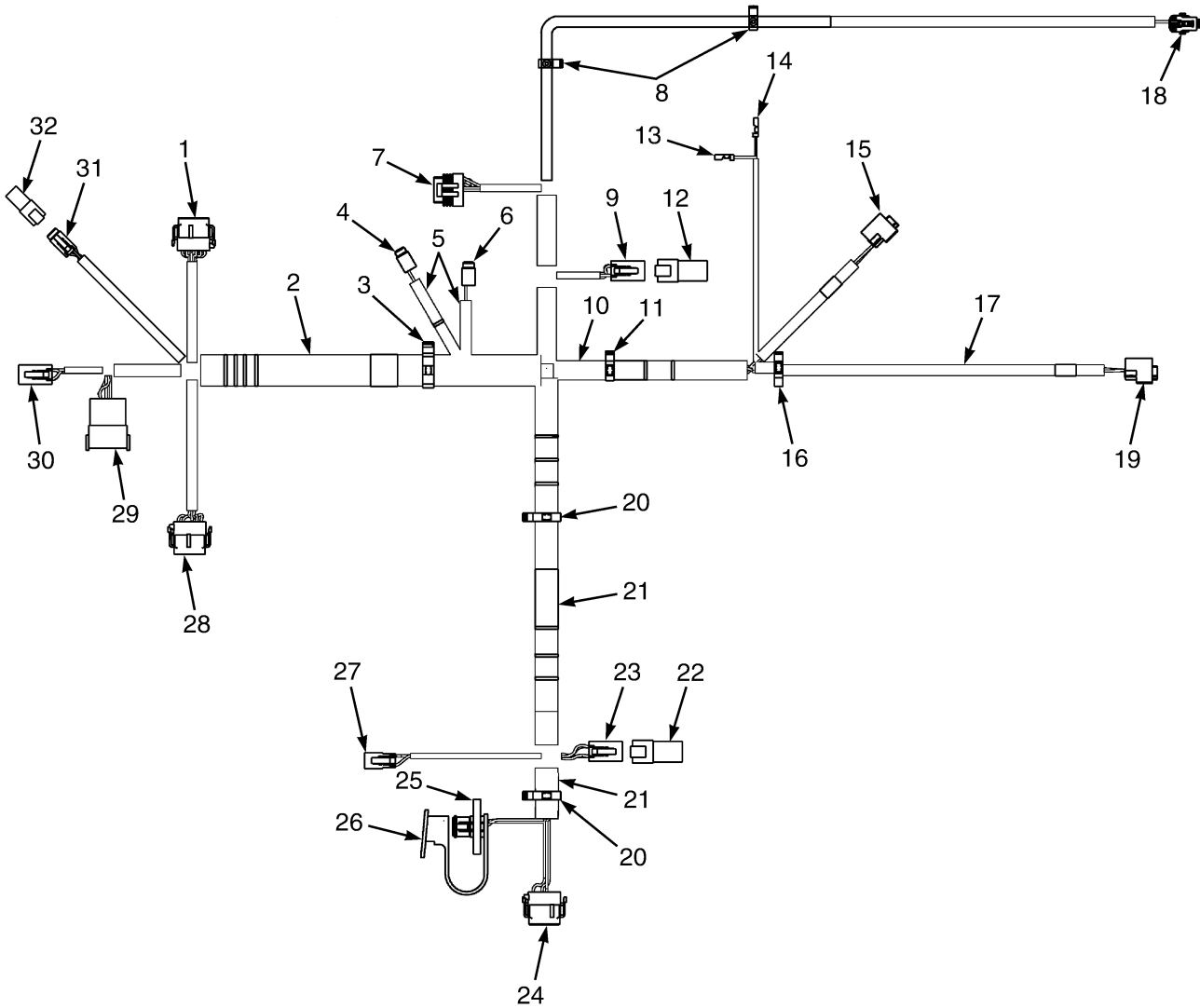
RH CHASSIS WITH SEAT BELT SEQUENCE MODULE – KUBOTA DIESEL (3.6L)

ITEM	PART NO.	DESCRIPTION	QTY
42	1554359	Terminal	3
43	Connector Assembly (To Engine Harness)	1
43	1525563	Connector	1
43	1500913	Connector (Secondary Lock)	1
43	1330438	Terminal (Socket)	10
44	1560692	Conduit (Elbow)	3
45	1534282	Clip	4
46	Connector Assembly (Endcap)	1
46	4047669	Connector	1
46	1330439	Plug	4
47	Connector Assembly (To Lights/Cab Harness)	1
47	1632865	Connector	1
47	1514603	Connector (Secondary Lock)	1
47	1554359	Terminal	4
48	Connector Assembly (Hydraulic Solenoid)	1
48	1490242	Connector (2 Way)	1
48	1490243	Connector (Secondary Lock)	1
48	1330438	Terminal (Socket)	2
49	Connector Assembly (End Cap)	1
49	1626727	Connector	1
50	275493	Conduit	AR
51	Connector Assembly (Hydraulic Filter)	1
51	1329152	Plug	1
51	1329151	Terminal	1
51	1330281	Terminal	2
51	1402888	Seal (Purple)	2
52	Connector Assembly (End Cap)	1
52	1329150	Connector	1
52	1329151	Terminal	1
52	1327164	Seal	2
53	Connector Assembly (Hood Switch/Key Switch)	1
53	1490242	Connector (2 Way)	1
53	1490243	Connector (Secondary Lock)	1
53	1330438	Terminal (Socket)	1
54	Connector Assembly (End Cap)	1
54	1626727	Connector	1
55	Connector Assembly (To Seat Switch Harness)	1
55	1493465	Connector (2 Pin)	1
55	1330414	Connector (Secondary Lock)	1
55	1330437	Terminal (Pin)	2
56	Connector Assembly (Back-Up Alarm)	1
56	1490242	Connector (2 Way)	1
56	1490243	Connector (Secondary Lock)	1
56	1330438	Terminal (Socket)	1
57	Connector Assembly (End Cap)	1
57	1626727	Connector	1
58	Connector Assembly (Hydraulic Temperature)	1
58	1402868	Connector	1
58	1323576	Terminal	2
59	Connector Assembly (Seat Belt Sequence Module)	1

WIRE HARNESS
RH CHASSIS WITH SEAT BELT SEQUENCE MODULE – KUBOTA DIESEL (3.6L)

ITEM	PART NO.	DESCRIPTION	QTY
59	1502625	Connector	1
59	1502626	Connector (Secondary Lock) (Secondary Lock)	1
59	1330438	Terminal (Socket)	8
59	1484377	Plug	2
60	1602431	Fuse Holder	1
61	1498044	Fuse (5 Amp)	1

WIRE HARNESS (FIGURE 5-45) COWL — MANUAL HYDRAULICS WITH MONOTROL PEDAL



BP081330

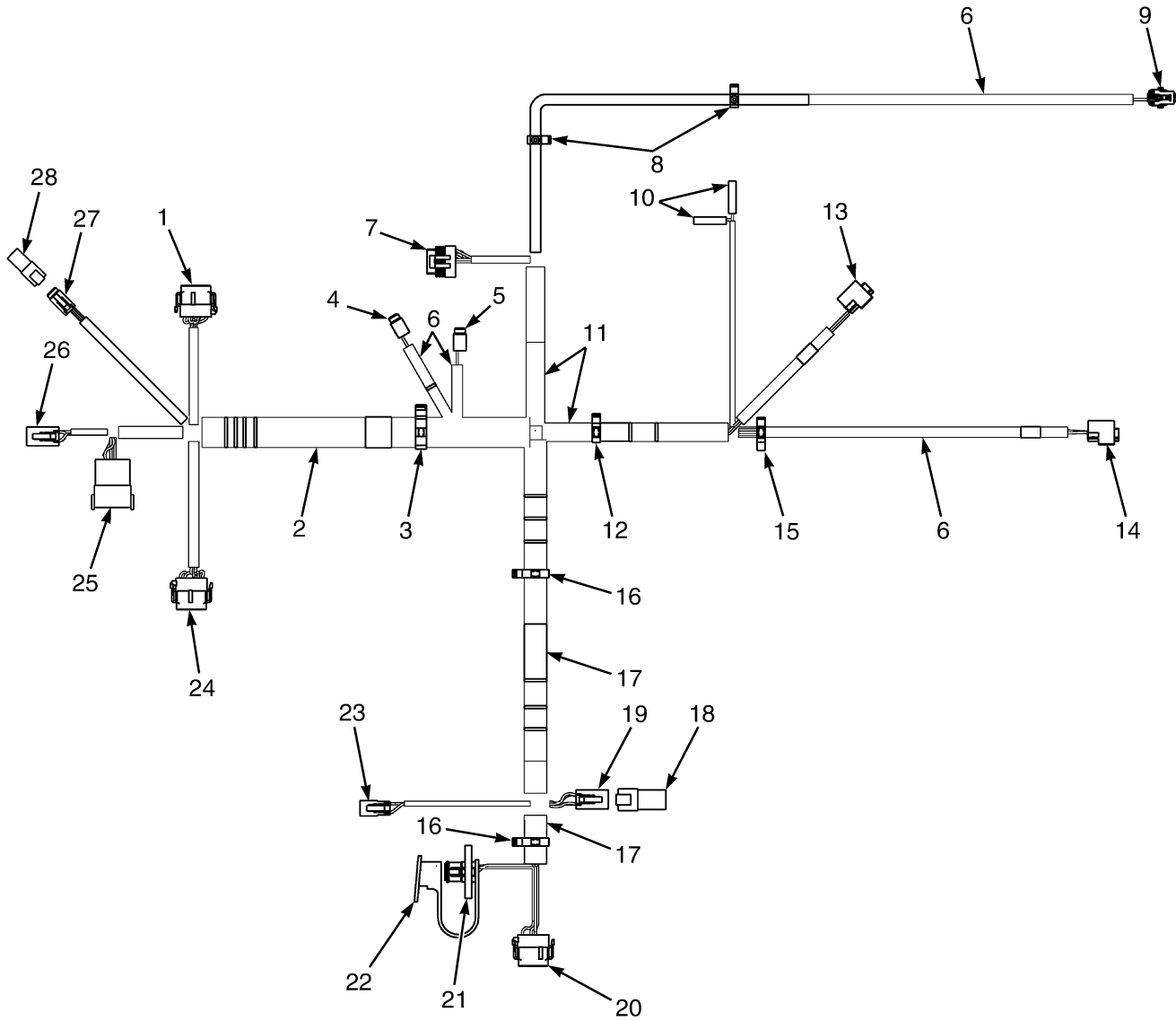
WIRE HARNESS
COWL – MANUAL HYDRAULICS WITH MONOTROL PEDAL

ITEM	PART NO.	DESCRIPTION	QTY
	4614877	Wire Harness (Cowl)	1
1	Connector Assembly (Vehicle System Manager)	1
1	1525568	Connector	1
1	1529046	Connector (Secondary Lock) (Secondary Lock)	1
1	1463139	Terminal	12
2	1540388	Conduit	AR
3	1534282	Clip	1
4	Connector Assembly (Hydraulic Lockout Solenoid 2)	1
4	1484557	Connector (2 Socket)	1
4	1484558	Connector (Secondary Lock)	1
4	1463139	Terminal	2
5	275493	Conduit	AR
6	Connector Assembly (Hydraulic Lockout Solenoid 1)	1
6	1484557	Connector (2 Socket)	1
6	1484558	Connector (Secondary Lock)	1
6	1463139	Terminal	2
7	Connector Assembly (Accelerator Pedal Sensor)	1
7	1525584	Connector	1
7	1532571	Terminal	6
8	1509888	Clip	4
9	Connector Assembly (To Monotrol Harness)	1
9	1489656	Connector (4-Way)	1
9	1489657	Connector (Secondary Lock) (Secondary Lock)	1
9	1330438	Terminal (Socket)	4
10	275496	Conduit	AR
11	1534828	Clip	1
12	Connector Assembly (Endcap)	1
12	1525573	Connector	1
13	Connector Assembly (Brake Fluid)	1
13	1324310	Terminal	2
13	1324309	Sleeve	1
14	Connector Assembly (Brake Fluid)	1
14	1324310	Terminal	2
14	1324309	Sleeve	1
15	Connector Assembly (Park Brake)	1
15	1700460	Connector	1
15	1700461	Terminal	3
16	1402816	Clip	1
17	275493	Conduit	AR
18	Connector Assembly (Brake Pressure)	1
18	1603021	Connector	1
18	1603236	Connector (Secondary Lock)	1
18	1548517	Terminal (Socket)	3
18	1548519	Seal	3
19	Connector Assembly (Brake Pressure)	1
19	1700460	Connector	1
19	1700461	Terminal	3
20	1500899	Clip	2
21	275497	Conduit	AR
22	Connector Assembly (Endcap with Resister)	1

WIRE HARNESS COWL – MANUAL HYDRAULICS WITH MONOTROL PEDAL

ITEM	PART NO.	DESCRIPTION	QTY
22	1525577	Connector (With Resistor)	1
23	Connector Assembly (Bus Terminal 1)	1
23	1489656	Connector (4-Way)	1
23	1489657	Connector (Secondary Lock)	1
23	1330438	Terminal (Socket)	4
24	Connector Assembly (Display)	1
24	1525567	Connector	1
24	1529046	Connector (Secondary Lock) (Secondary Lock)	1
24	1463139	Terminal	5
24	1484377	Plug	7
25	Connector Assembly (J1939 Diagnostic)	1
25	1566116	Connector	1
25	1532664	Connector (Secondary Lock)	1
25	1330438	Terminal (Socket)	3
26	1566117	Dust Cap (For Diagnostic Cable)	1
27	Connector Assembly (Horn Button)	1
27	1490242	Connector (2 Way)	1
27	1490243	Connector (Secondary Lock)	1
27	1330438	Terminal (Socket)	2
28	Connector Assembly (Vehicle System Manager)	1
28	1525570	Connector	1
28	1529046	Connector (Secondary Lock) (Secondary Lock)	1
28	1463139	Terminal	7
28	1484377	Plug	5
29	Connector Assembly (To RH Chassis Harness)	1
29	1500925	Connector	1
29	1352603	Secondary Lock (Secondary Lock)	1
29	1330437	Terminal (Pin)	8
29	1484377	Plug	4
30	Connector Assembly (To RH Chassis Harness)	1
30	1489656	Connector (4-Way)	1
30	1489657	Connector (Secondary Lock) (Secondary Lock)	1
30	1330438	Terminal (Socket)	4
31	Connector Assembly (DPF Display)	1
31	1463189	Connector	1
31	1463196	Connector (Secondary Lock)	1
31	1463139	Terminal	4
32	Endcap (DPF Display)	1
32	1463184	Connector	1
32	1484377	Plug	4

WIRE HARNESS (FIGURE 5-46) COWL — MANUAL HYDRAULICS WITH FORWARD/REVERSE



BP081331

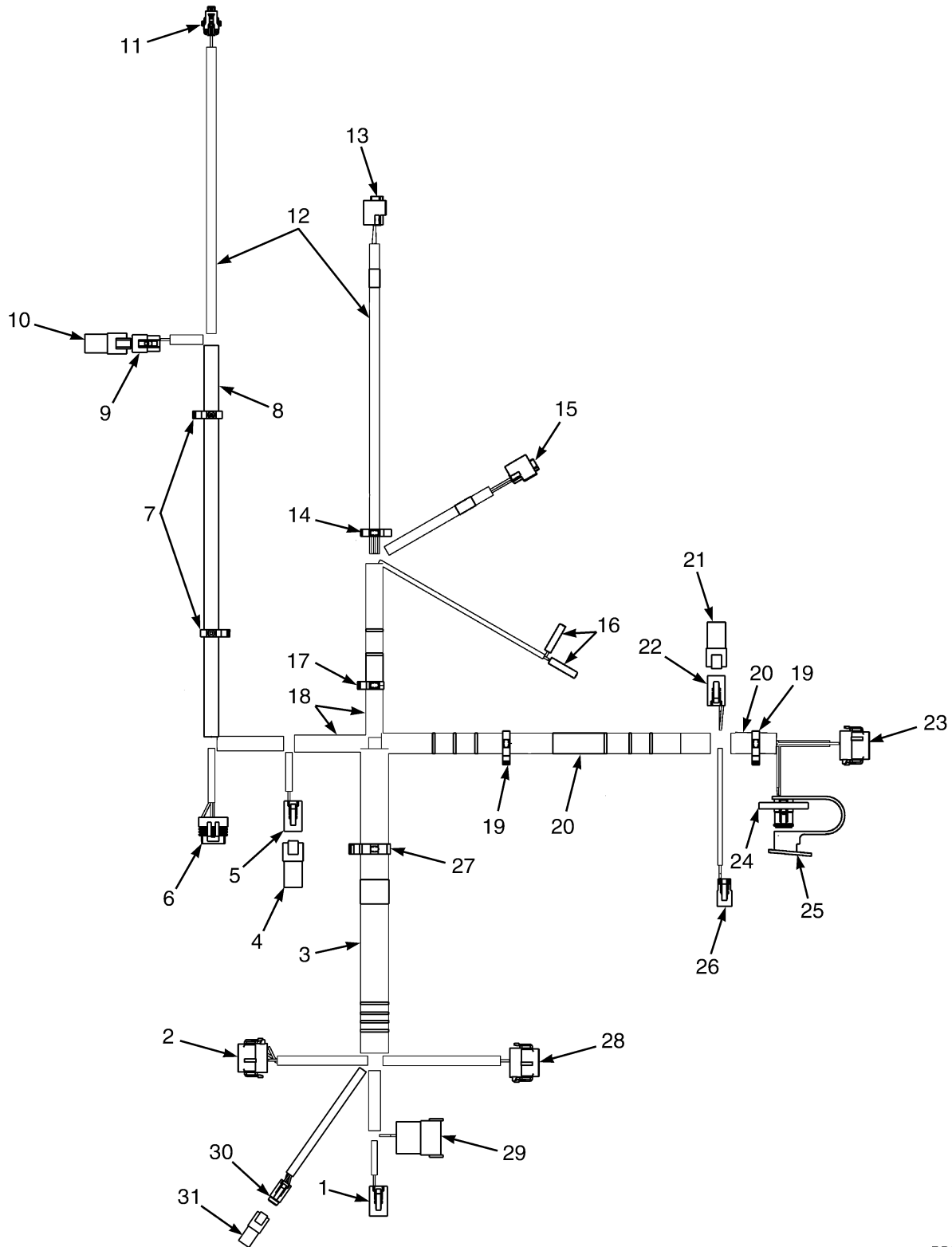
WIRE HARNESS
COWL – MANUAL HYDRAULICS WITH FORWARD/REVERSE

ITEM	PART NO.	DESCRIPTION	QTY
	4614878	Wire Harness (Cowl)	1
1	Connector Assembly (VSM)	1
1	1525568	Connector	1
1	1529046	Connector (Secondary Lock) (Secondary Lock)	1
1	1463139	Terminal	8
1	1484377	Plug	4
2	1540388	Conduit	1
3	1534282	Clip	1
4	Connector Assembly (Hydraulic Lockout Solenoid 2)	2
4	1484557	Connector (2 Socket)	1
4	1484558	Connector (Secondary Lock)	1
4	1463139	Terminal	2
5	Connector Assembly (Hydraulic Lockout Solenoid 1)	1
5	1484557	Connector (2 Socket)	1
5	1484558	Connector (Secondary Lock)	1
5	1463139	Terminal	2
6	275493	Conduit	AR
7	Connector Assembly (Accelerator Pedal Sensor)	1
7	1525584	Connector	1
7	1532571	Terminal	6
8	1509888	Clip	2
9	Connector Assembly (Brake Pressure)	1
9	1603021	Connector	1
9	1603236	Connector (Secondary Lock)	1
9	1548517	Terminal (Socket)	3
9	1548519	Seal	3
10	Connector Assembly (Brake Fluid)	2
10	1324310	Terminal	1
10	1324309	Sleeve	1
11	275496	Conduit	AR
12	1534828	Clip	1
13	Connector Assembly (Park Brake)	1
13	1700460	Connector	1
13	1700461	Terminal	1
14	Connector Assembly (Brake Pedal)	1
14	1700460	Connector	1
14	1700461	Terminal	1
15	1402816	Clip	1
16	1500899	Clip	1
17	275497	Conduit	AR
18	1525577	Connector (With Resistor)	1
19	Connector Assembly (Bus Terminal)	1
19	1489656	Connector (4-Way)	1
19	1489657	Connector (Secondary Lock) (Secondary Lock)	1
19	1330438	Terminal (Socket)	4
20	Connector Assembly (Display)	1
20	1525567	Connector	1
20	1529046	Connector (Secondary Lock) (Secondary Lock)	1
20	1463139	Terminal	5
20	1484377	Plug	7

WIRE HARNESS COWL – MANUAL HYDRAULICS WITH FORWARD/REVERSE

ITEM	PART NO.	DESCRIPTION	QTY
21	Connector Assembly (Diagnostic)	1
21	1566116	Connector	1
21	1532664	Connector (Secondary Lock)	1
21	1330438	Terminal (Socket)	3
22	1566117	Dust Cap (For Diagnostic Cable)	1
23	Connector Assembly (Horn Button)	1
23	1490242	Connector (2 Way)	1
23	1490243	Connector (Secondary Lock)	1
23	1330438	Terminal (Socket)	2
24	Connector Assembly (VSM)	1
24	1525570	Connector	1
24	1529046	Connector (Secondary Lock) (Secondary Lock)	1
24	1463139	Terminal	7
24	1484377	Plug	5
25	Connector Assembly (To Right Hand Chassis)	1
25	1500925	Connector	1
25	1352603	Secondary Lock (Secondary Lock)	1
25	1330437	Terminal (Pin)	7
25	1484377	Plug	5
26	Connector Assembly (To Right Hand Chassis Harness)	1
26	1489656	Connector (4-Way)	1
26	1489657	Connector (Secondary Lock) (Secondary Lock)	1
26	1330438	Terminal (Socket)	4
27	Connector Assembly (DPF Display)	1
27	1463189	Connector	1
27	1463196	Connector (Secondary Lock)	1
27	1463139	Terminal	4
28	Endcap Assembly (DPF Display)	1
28	1463184	Connector	1
28	1484377	Plug	4

WIRE HARNESS (FIGURE 5-47) COWL — ELECTRO-HYDRAULICS WITH MONOTROL PEDAL



BP081332

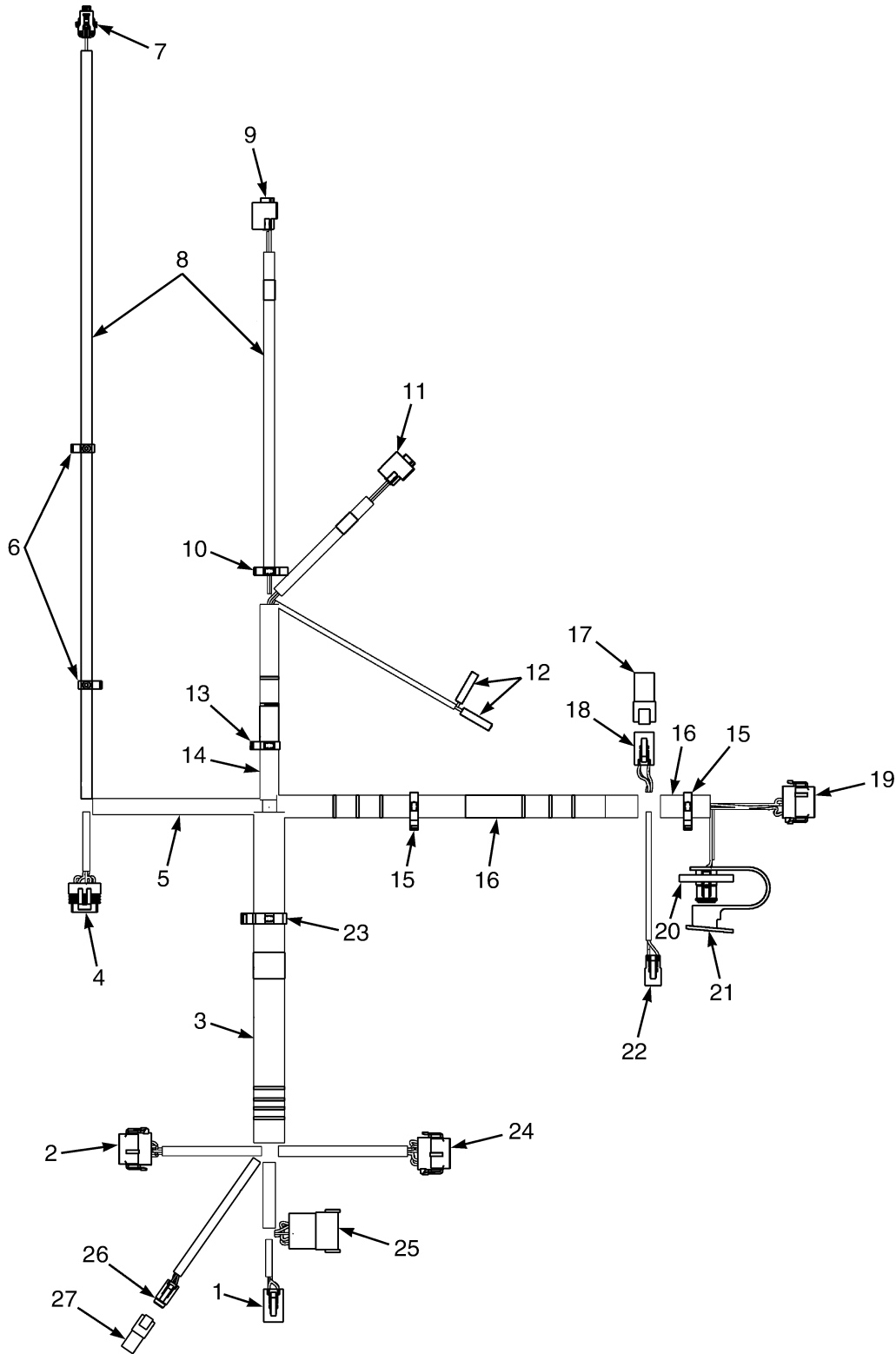
WIRE HARNESS
COWL – ELECTRO-HYDRAULICS WITH MONOTROL PEDAL

ITEM	PART NO.	DESCRIPTION	QTY
	4614879	Wire Harness	1
1	Connector Assembly (RH Chassis Harness)	1
1	1489656	Connector (4-Way)	1
1	1489657	Connector (Secondary Lock) (Secondary Lock)	1
1	1330438	Terminal (Socket)	4
2	Connector Assembly (Vehicle System Manager)	1
2	1525568	Connector	1
2	1529046	Connector (Secondary Lock) (Secondary Lock)	1
2	1463139	Terminal	11
2	1484377	Plug	1
3	1540388	Conduit	AR
4	1525573	Connector	1
5	Connector Assembly (Monotrol Harness)	1
5	1489656	Connector (4-Way)	1
5	1489657	Connector (Secondary Lock) (Secondary Lock)	1
5	1330438	Terminal (Socket)	4
6	Connector Assembly (Accelerator Pedal Sensor)	1
6	1525584	Connector	1
6	1532571	Terminal	6
7	1509890	Clip	2
8	275495	Conduit	AR
9	Connector Assembly (Mast Harness)	1
9	1484397	Connector (3-Way)	1
9	1463194	Connector (Secondary Lock)	1
9	1330438	Terminal (Socket)	3
10	1351682	Connector (End Cap)	1
11	Connector Assembly (Brake Pressure)	1
11	1603021	Connector	1
11	1603236	Connector (Secondary Lock)	1
11	1548517	Terminal (Socket)	3
11	1548519	Seal	3
12	275493	Conduit	AR
13	Connector Assembly (Brake Pedal)	1
13	1700460	Connector	1
13	1700461	Terminal	3
14	1402816	Clip	1
15	Connector Assembly (Park Brake)	1
15	1700460	Connector	1
15	1700461	Terminal	3
16	Connector Assembly (Brake Fluid)	2
16	1324310	Terminal	2
16	1324309	Sleeve	1
17	1534828	Clip	1
18	275496	Conduit	AR
19	1500899	Clip	2
20	275497	Conduit	AR
21	1525577	Connector (With Resistor)	1
22	Connector Assembly	1
22	1489656	Connector (4-Way)	1
22	1489657	Connector (Secondary Lock) (Secondary Lock)	1

WIRE HARNESS COWL – ELECTRO-HYDRAULICS WITH MONOTROL PEDAL

ITEM	PART NO.	DESCRIPTION	QTY
22	1330438	Terminal (Socket)	4
23	Connector Assembly (Display)	1
23	1525567	Connector	1
23	1529046	Connector (Secondary Lock) (Secondary Lock)	1
23	1463139	Terminal	5
23	1484377	Plug	7
24	Connector Assembly (Diagnostic)	1
24	1566116	Connector	1
24	1532664	Connector (Secondary Lock)	1
24	1330438	Terminal (Socket)	3
25	1566117	Dust Cap (For Diagnostic Cable)	1
26	Connector Assembly (Horn Button)	1
26	1490242	Connector (2 Way)	1
26	1490243	Connector (Secondary Lock) (Secondary Lock)	1
26	1330438	Terminal (Socket)	2
27	1534282	Clip	1
28	Connector Assembly (Vehicle System Manager)	1
28	1525570	Connector	1
28	1529046	Connector (Secondary Lock)	1
28	1463139	Terminal	7
28	1484377	Plug	5
29	Connector Assembly (RH Chassis Harness)	1
29	1500925	Connector	1
29	1352603	Secondary Lock (Secondary Lock)	1
29	1330437	Terminal (Pin)	11
29	1484377	Plug	1
30	Connector Assembly (DPF Display)	1
30	1463189	Connector	1
30	1463196	Connector (Secondary Lock)	1
30	1463139	Terminal	4
31	Endcap	1
31	1463184	Connector	1
31	1484377	Plug	4

WIRE HARNESS (FIGURE 5-48) COWL — ELECTRO-HYDRAULICS WITH FORWARD/REVERSE



BP081333

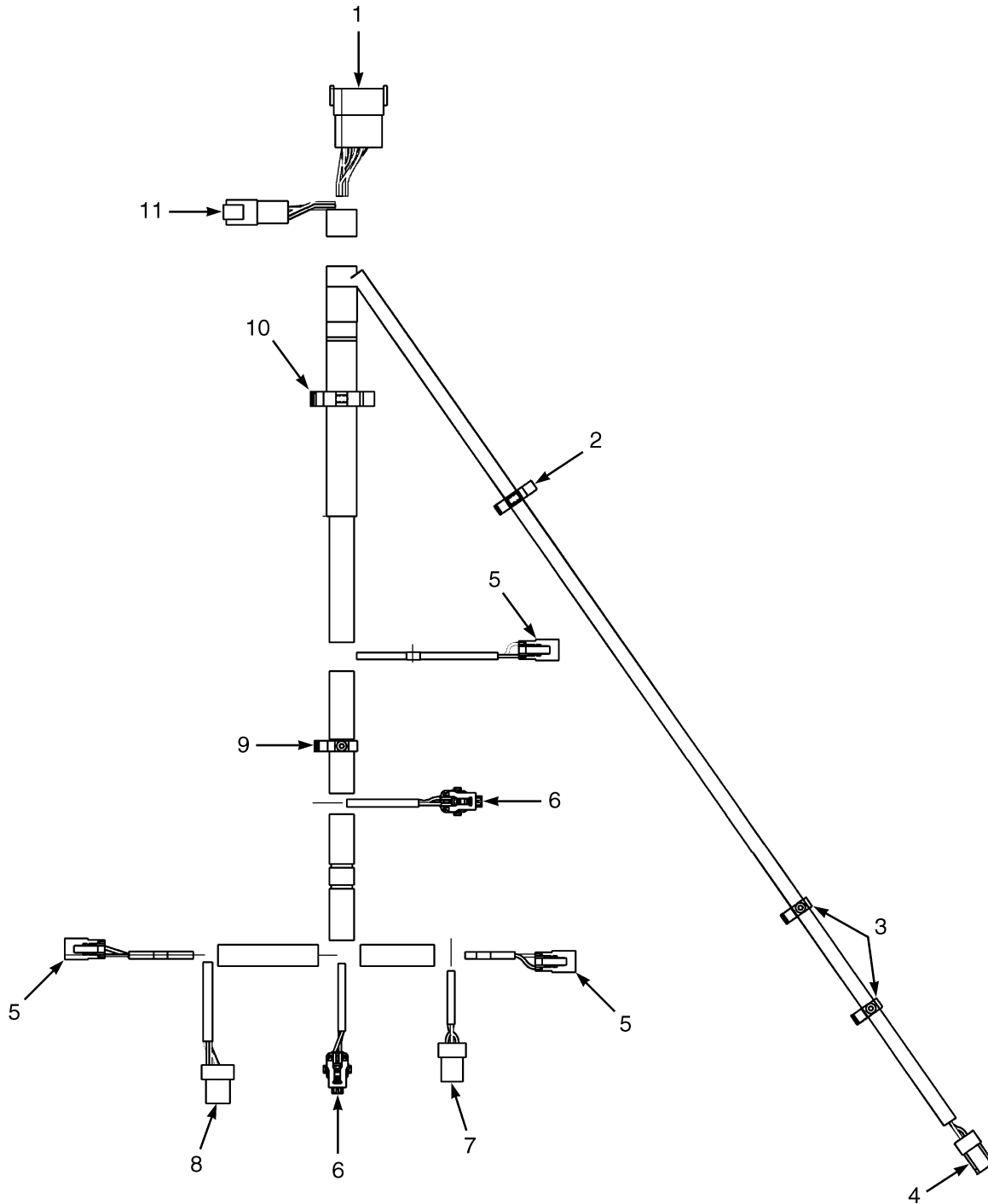
WIRE HARNESS
COWL – ELECTRO-HYDRAULICS WITH FORWARD/REVERSE

ITEM	PART NO.	DESCRIPTION	QTY
	4614880	Wire Harness	1
1	Connector Assembly (RH Chassis Harness)	1
1	1489656	Connector (4-Way)	1
1	1489657	Connector (Secondary Lock) (Secondary Lock)	1
1	1330438	Terminal (Socket)	4
2	Connector Assembly (Vehicle System Manager)	1
2	1525568	Connector	1
2	1529046	Connector (Secondary Lock) (Secondary Lock)	1
2	1463139	Terminal	7
2	1484377	Plug	5
3	1540388	Conduit	AR
4	Connector Assembly (Accelerator Pedal Sensor)	1
4	1525584	Connector	1
4	1532571	Terminal	6
5	275495	Conduit	AR
6	1509888	Clip	2
7	Connector Assembly (Brake Pressure)	1
7	1603021	Connector	1
7	1603236	Connector (Secondary Lock)	1
7	1548517	Terminal (Socket)	3
7	1548519	Seal	3
8	275493	Conduit	AR
9	Connector Assembly (Brake Pedal)	1
9	1700460	Connector	1
9	1700461	Terminal	3
10	1402816	Clip	1
11	Connector Assembly (Park Brake)	1
11	1700460	Connector	1
11	1700461	Terminal	3
12	Connector Assembly (Brake Fluid)	1
12	1324310	Terminal	2
12	1324309	Sleeve	2
13	1534828	Clip	1
14	275496	Conduit	AR
15	1500899	Clip	2
16	275497	Conduit	AR
17	1525577	Connector (With Resistor)	1
18	Connector Assembly (Bus Term 1)	1
18	1489656	Connector (4-Way)	1
18	1489657	Connector (Secondary Lock) (Secondary Lock)	1
18	1330438	Terminal (Socket)	4
19	Connector Assembly (Display)	1
19	1525567	Connector	1
19	1529046	Connector (Secondary Lock) (Secondary Lock)	1
19	1463139	Terminal	5
19	1484377	Plug	7
20	Connector Assembly (Diagnostic)	1
20	1566116	Connector	1
20	1532664	Connector (Secondary Lock)	1
20	1330438	Terminal (Socket)	3

WIRE HARNESS COWL – ELECTRO-HYDRAULICS WITH FORWARD/REVERSE

ITEM	PART NO.	DESCRIPTION	QTY
21	1566117	Dust Cap (For Diagnostic Cable)	1
22	Connector Assembly (Horn Button)	1
22	1490242	Connector (2 Way)	1
22	1490243	Connector (Secondary Lock) (Secondary Lock)	1
22	1330438	Terminal (Socket)	2
23	1534282	Clip	1
24	Connector Assembly (Vehicle System Manager)	1
24	1525570	Connector	1
24	1529046	Connector (Secondary Lock) (Secondary Lock)	1
24	1484377	Plug	5
24	1463139	Terminal	7
25	Connector Assembly (RH Chassis Harness)	1
25	1500925	Connector	1
25	1352603	Secondary Lock (Secondary Lock)	1
25	1484377	Plug	4
25	1330437	Terminal (Pin)	8
26	Connector Assembly (DPF Display)	1
26	1463189	Connector	1
26	1463196	Connector (Secondary Lock) (Secondary Lock)	1
26	1463139	Terminal	4
27	Endcap	1
27	1463184	Connector	1
27	1484377	Plug	4

WIRE HARNESS (FIGURE 5-49) TRANSMISSION — SINGLE SPEED



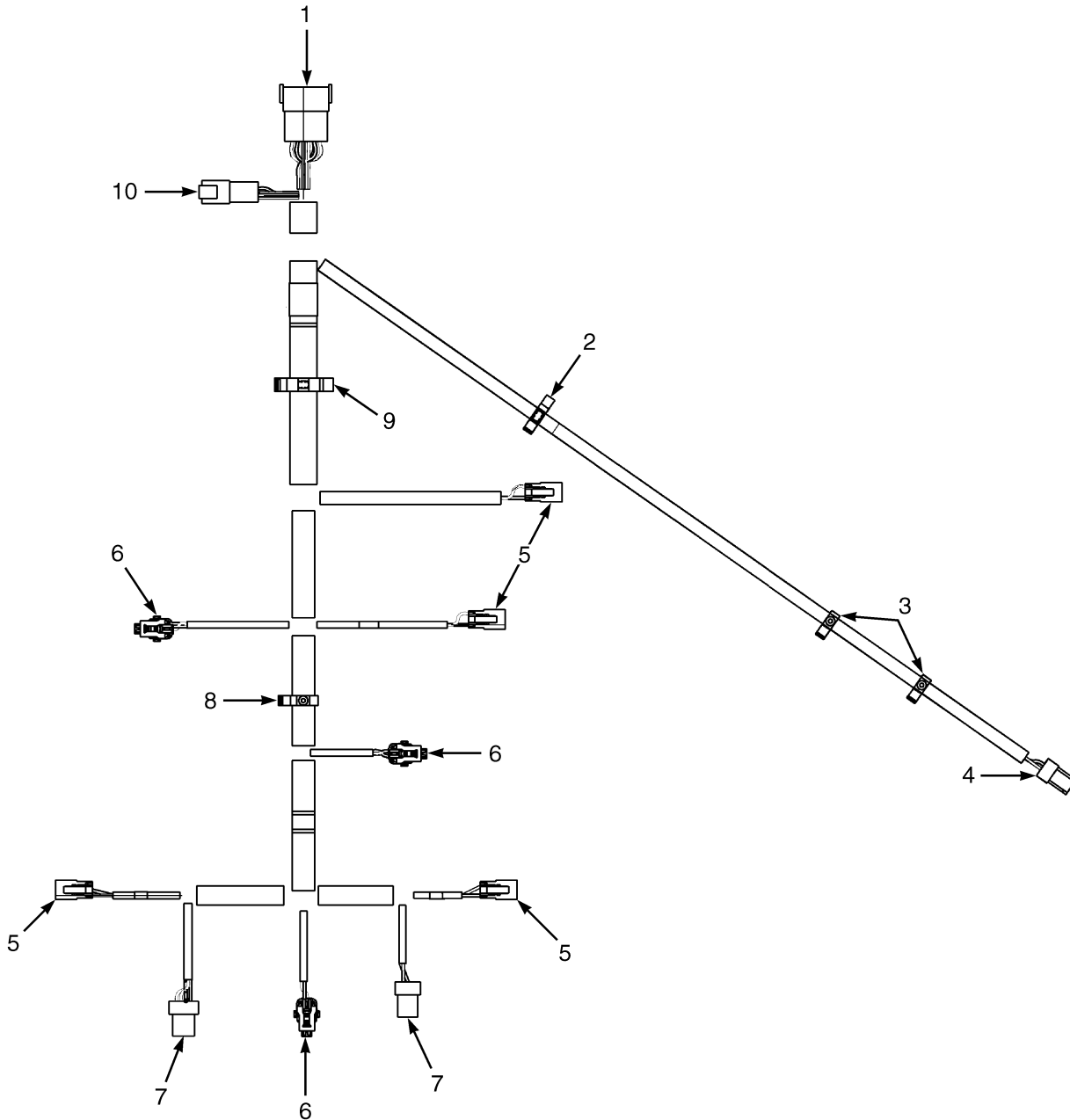
BP080478

**WIRE HARNESS
TRANSMISSION – SINGLE SPEED**

ITEM	PART NO.	DESCRIPTION	QTY
	2085943	Wire Harness (Transmission)	1
1	Connector Assembly (To RH Chassis Harness)	1
1	1623280	Connector	1
1	1623281	Connector (Secondary Lock)	1
1	1463138	Terminal Pin	10
1	1484377	Plug	2
2	1402816	Clip	1
3	1509888	Clip	2
4	Connector Assembly (Temperature)	1
4	1402868	Connector	1
4	1323576	Terminal	2
5	Connector Assembly (Clutch Forward/Reverse 1)	1
5	1490242	Connector (2 Way)	1
5	1490243	Connector (Secondary Lock)	1
5	1330438	Terminal (Socket)	2
6	Connector Assembly (Forward/Reverse 1 Pressure)	1
6	1603021	Connector	1
6	1603236	Connector (Secondary Lock)	1
6	1548517	Terminal (Socket)	3
6	1548519	Seal	3
7	Connector Assembly (Turbine Shaft RPM)	1
7	1546673	Connector	1
7	1323576	Terminal	3
8	Connector Assembly (Tail Shaft RPM)	1
8	1558156	Connector	1
8	1323576	Terminal	4
9	1509890	Clip	1
10	1402813	Clip	1
11	Connector Assembly (To RH Chassis Harness)	1
11	1530960	Connector	1
11	1530961	Connector (Secondary Lock)	1
11	1463138	Terminal Pin	4
11	1484377	Plug	2
	a 1500912	Clip	2
	a 1582464	Fastener	2

FOOTNOTES:**a** Not Illustrated

WIRE HARNESS (FIGURE 5-50) TRANSMISSION — DUAL SPEED



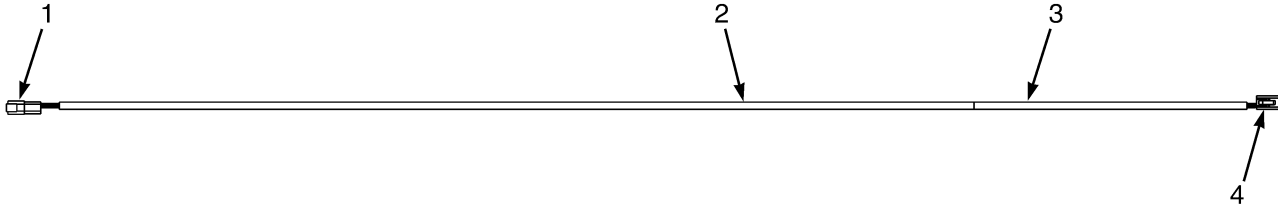
BP080479

**WIRE HARNESS
TRANSMISSION – DUAL SPEED**

ITEM	PART NO.	DESCRIPTION	QTY
	2085942	Wire Harness (Transmission)	1
1	Connector Assembly (To RH Chassis Harness)	1
1	1623280	Connector	1
1	1623281	Connector (Secondary Lock)	1
1	1463138	Terminal Pin	11
1	1484377	Plug	2
2	1402816	Clip	1
3	1509888	Clip	2
4	Connector Assembly (Temperature)	1
4	1402868	Connector	1
4	1323576	Terminal	2
5	Connector Assembly (Clutch Forward 1, and 2 Reverse 1)	1
5	1490242	Connector (2 Way)	1
5	1490243	Connector (Secondary Lock)	1
5	1330438	Terminal (Socket)	2
6	Connector Assembly (Forward/Reverse 1 Pressure)	1
6	1603021	Connector	1
6	1603236	Connector (Secondary Lock)	1
6	1548517	Terminal (Socket)	3
6	1548519	Seal	3
7	Connector Assembly (Turbine/Tail Shaft RPM)	1
7	1546673	Connector	1
7	1323576	Terminal	3
8	1509890	Clip	1
9	1402813	Clip	1
10	Connector Assembly (To RH Chassis Harness)	1
10	1530960	Connector	1
10	1530961	Connector (Secondary Lock)	1
10	1463138	Terminal Pin	6
	a 1500912	Clip	2
	a 1582464	Fastener	2

FOOTNOTES:**a** Not Illustrated

**WIRE HARNESS (FIGURE 5-51)
DPF DISPLAY**



BP081374

ITEM	PART NO.	DESCRIPTION	QTY
	4614617	Wire Harness (DPF Display)	1
1	Connector Assembly	1
1	1463184	Connector	1
1	1463138	Terminal Pin	4
1	4046140	
	1463193	Connector (Secondary Lock) (Secondary Lock)	1
2	381919	Braiding	AR
3	175944	Heat Shrink	AR
4	Connector Assembly	1
4	1493430	Connector (6 Way Housing)	1
4	1330438	Terminal (Socket)	4
4	1484377	Plug	2
4	1529052	Connector (Secondary Lock) (Secondary Lock)	1

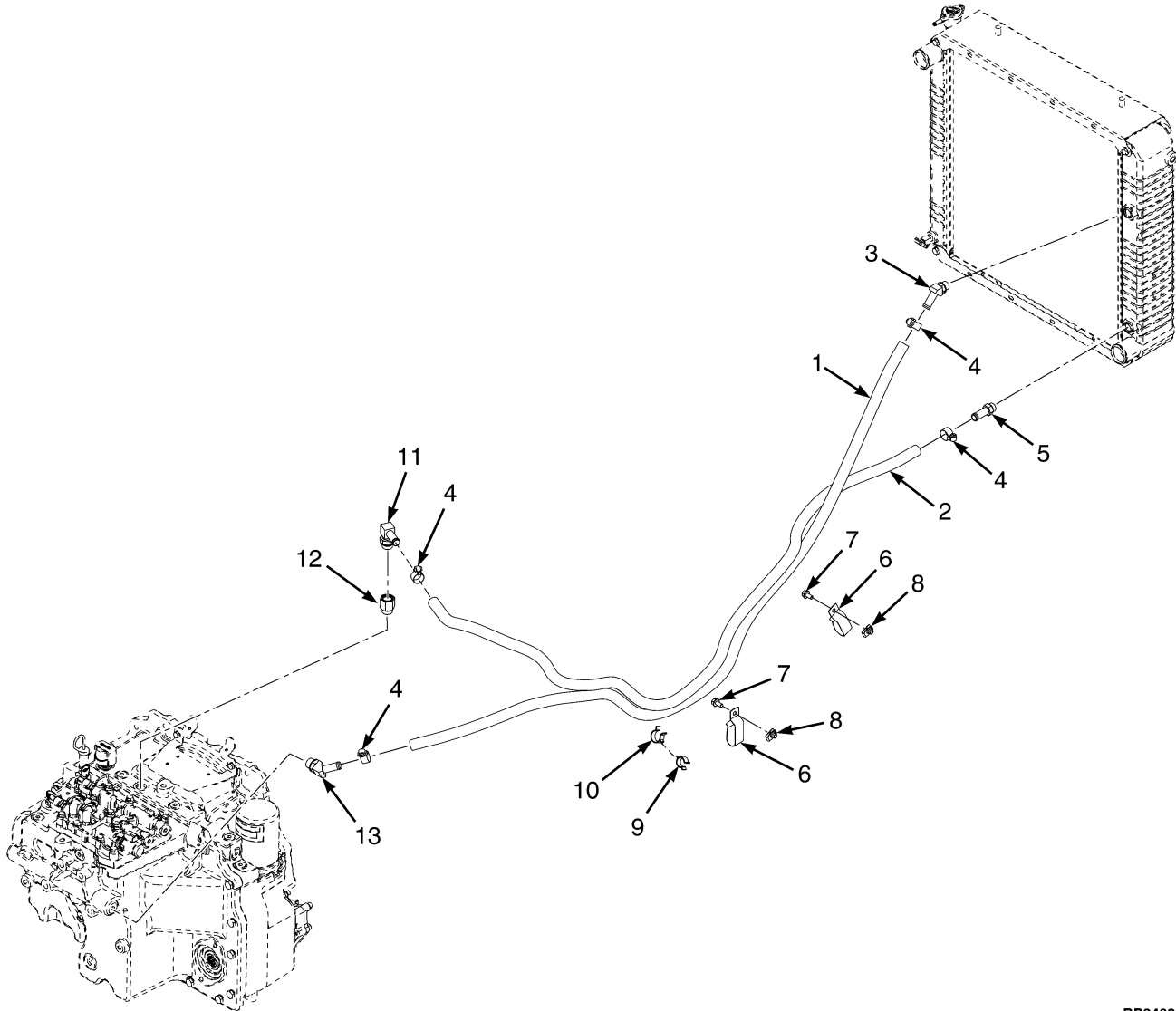
6

TRANSMISSION

**SECTION 6
TRANSMISSION**

DESCRIPTION	PAGE
CONTROL VALVE ASSEMBLY	6-36
FORWARD CLUTCH	
SINGLE SPEED TRANSMISSION	6-18
FORWARD CLUTCH, HIGH	
DUAL SPEED TRANSMISSION	6-32
FORWARD CLUTCH, LOW	
DUAL SPEED TRANSMISSION	6-30
REVERSE CLUTCH	
DUAL SPEED TRANSMISSION	6-34
SINGLE SPEED TRANSMISSION	6-20
TORQUE CONVERTER	
GM 4.3L LPG	6-9
TRANSMISSION	
DUAL SPEED - TWO PIECE HOUSING	6-22
DUAL SPEED - SECTION 1 OF 2	6-24
DUAL SPEED - SECTION 2 OF 2	6-26
SINGLE SPEED - TWO PIECE HOUSING	6-10
SINGLE SPEED - SECTION 1 OF 2	6-11
SINGLE SPEED - SECTION 2 OF 2	6-14
TRANSMISSION COOLING LINES	
DIESEL WITH STANDARD RADIATOR	6-2
LPG WITH STANDARD RADIATOR	6-4
WITH EXTERNAL OIL COOLER - LPG AND DIESEL	6-6
TRANSMISSION MOUNT	6-8

TRANSMISSION COOLING LINES (FIGURE 6-1) DIESEL WITH STANDARD RADIATOR

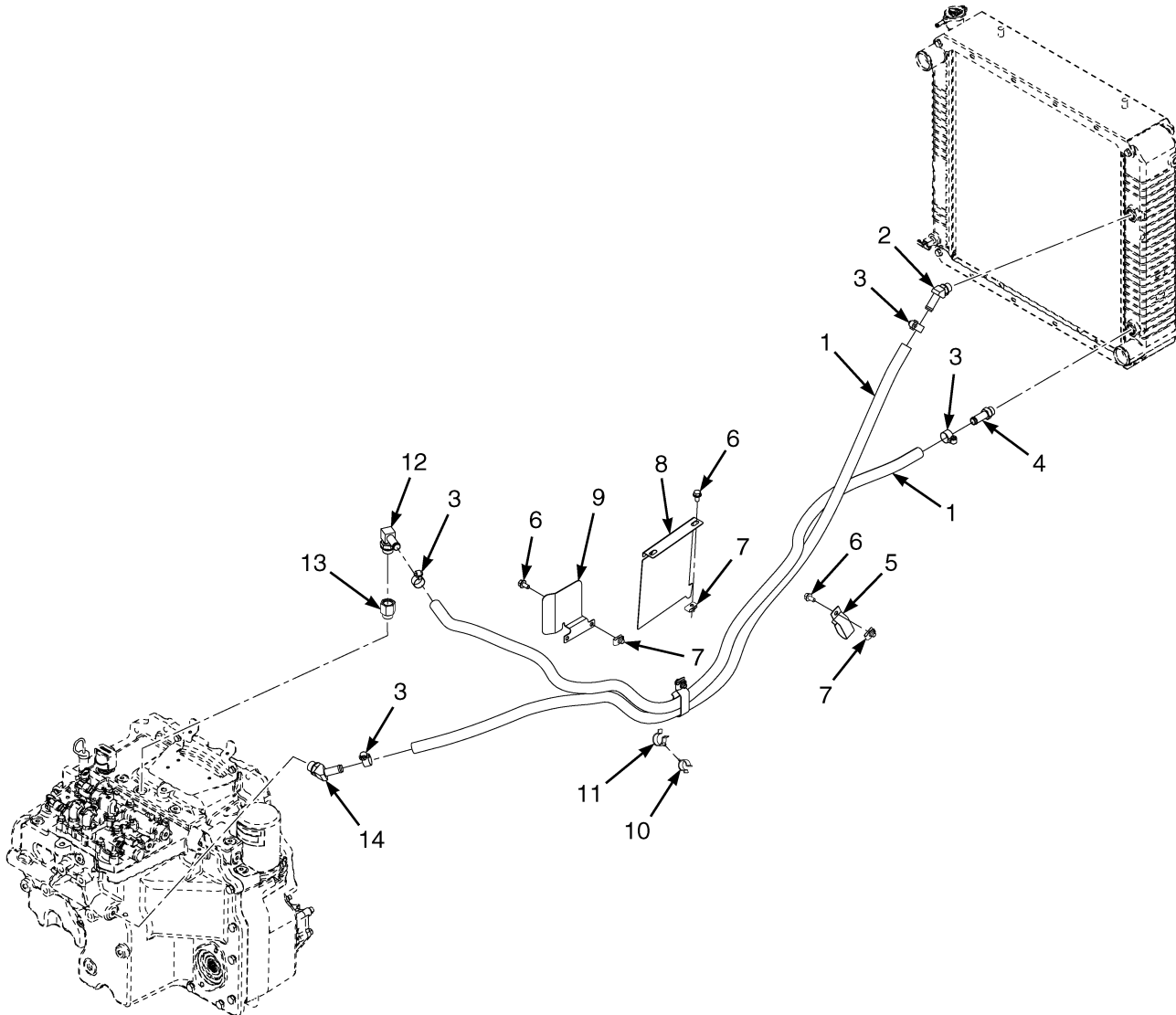


BP240221

**TRANSMISSION COOLING LINES
DIESEL WITH STANDARD RADIATOR**

ITEM	PART NO.	DESCRIPTION	QTY
1	4616203	Hose	1
2	4616202	Hose	1
3	222503	Fitting	1
4	130845	Clamp	4
5	1673198	Fitting	1
6	1562648	Clip	2
7	4109993 1527879	Capscrew	2
8	1480237	Nut	2
9	1502066	Clamp (Swivel)	2
10	1542436	Clamp (Swivel)	2
11	222512	Fitting	1
12	1691525	Adapter	1
13	222504	Fitting	1

TRANSMISSION COOLING LINES (FIGURE 6-2) LPG WITH STANDARD RADIATOR

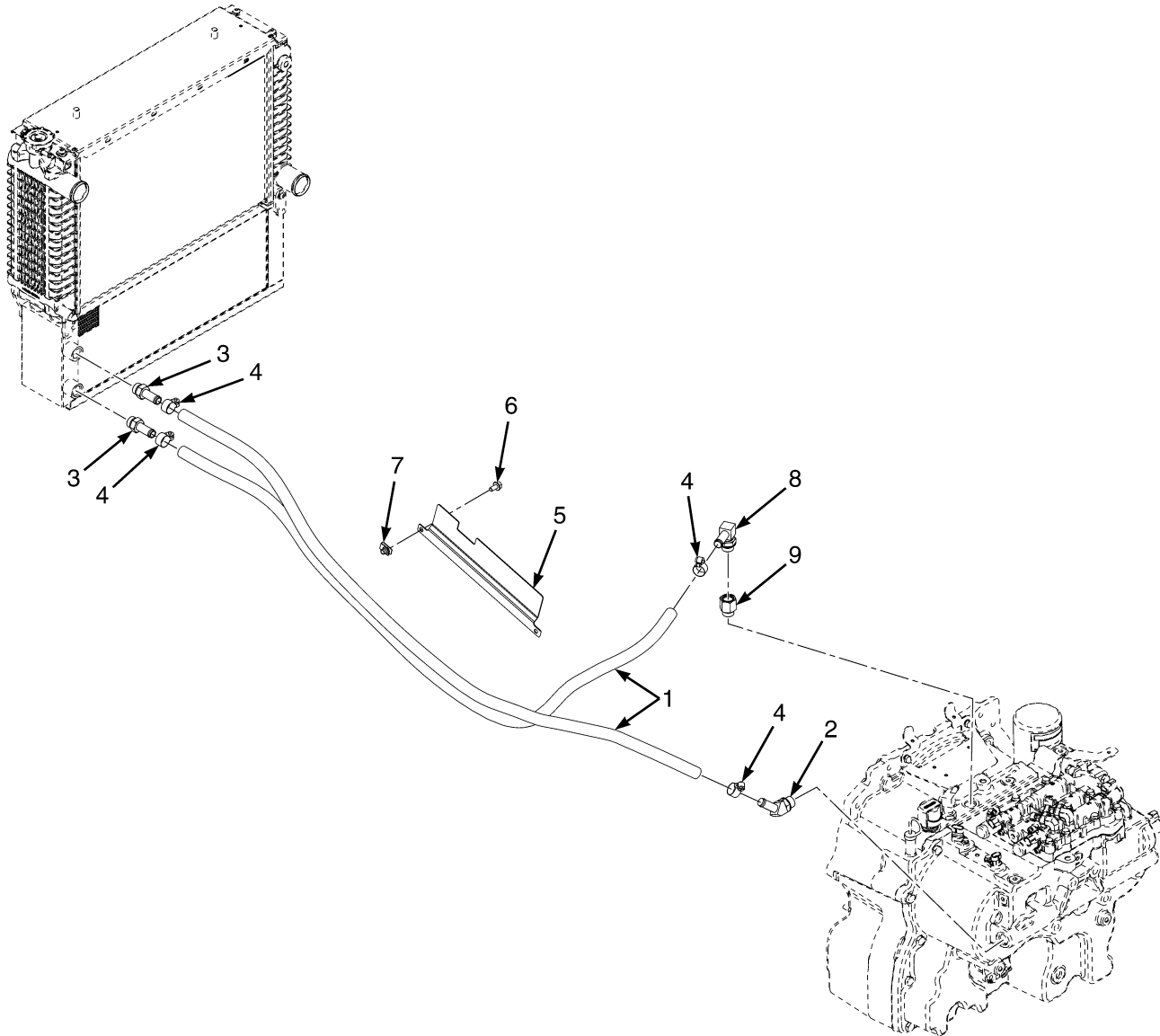


BP240208

**TRANSMISSION COOLING LINES
LPG WITH STANDARD RADIATOR**

ITEM	PART NO.	DESCRIPTION	QTY
1	2108677	Hose	2
2	222503	Fitting	1
2	16485	O-Ring	1
3	130845	Clamp	4
4	1673198	Fitting	1
4	16484	O-Ring	1
5	1562648	Clip	2
6	4109993		
	1527879	Capscrew	6
7	1480237	Nut	6
8	2090425	Heat Shield	1
9	4014164	Shield	1
10	1502066	Clamp (Swivel)	2
11	1542436	Clamp (Swivel)	2
12	222512	Fitting	1
12	16485	O-Ring	1
13	1691525	Adapter	1
14	222504	Fitting	1
14	16485	O-Ring	1

TRANSMISSION COOLING LINES (FIGURE 6-3) WITH EXTERNAL OIL COOLER — LPG AND DIESEL

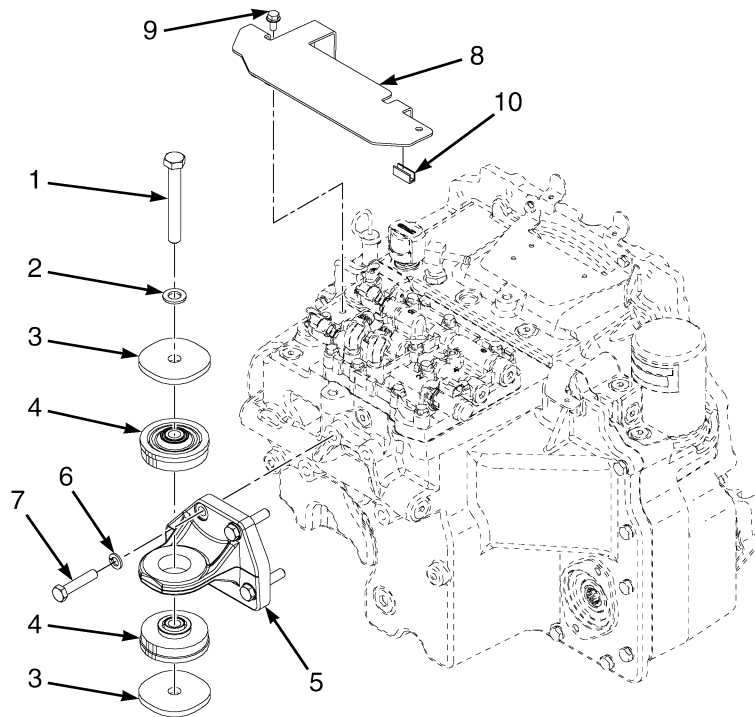


BP240222

**TRANSMISSION COOLING LINES
WITH EXTERNAL OIL COOLER – LPG AND DIESEL**

ITEM	PART NO.	DESCRIPTION	QTY
1	4625652	Hose	2
2	222504	Fitting	1
3	17223	Fitting	2
4	130845	Clamp	4
5	4024965	Heat Shield	1
6	4109993		
	1527879	Capscrew	4
7	1480237	Nut	4
8	222512	Fitting	1
9	1691525	Adapter	1

TRANSMISSION MOUNT (FIGURE 6-4)



BP240203

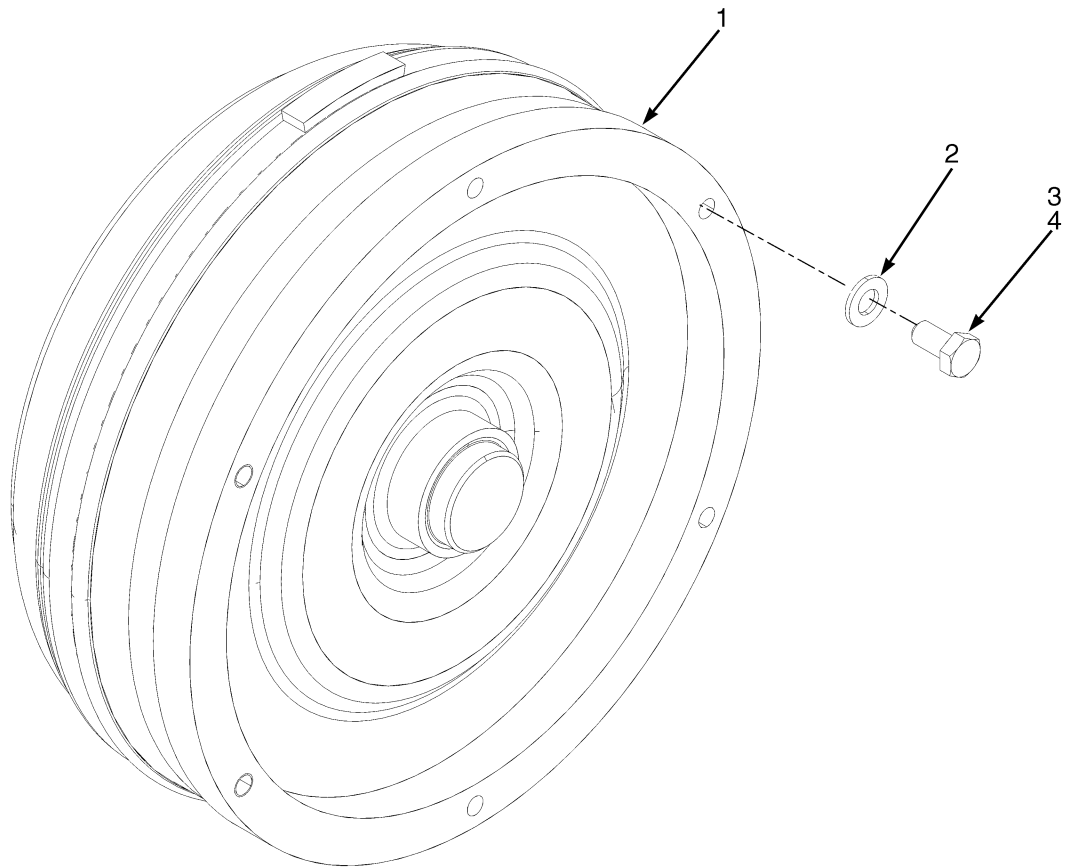
ITEM	PART NO.	DESCRIPTION	QTY
1	293697	Capscrew	1
2	320165	Washer	1
3	1566329	Washer (Square)	2
4	2070147	Isolator	2
5	1501276	Bracket	1
6	292683	Lockwasher	4
7	292531	Capscrew	4
8	a 1569768	Shield	1
8	b 4092328	Shield	1
9	4109993		
	1527879	Capscrew	1
10	1380849	Edge Protector	2

FOOTNOTES:

a → 4/2014

b 4/2014 →

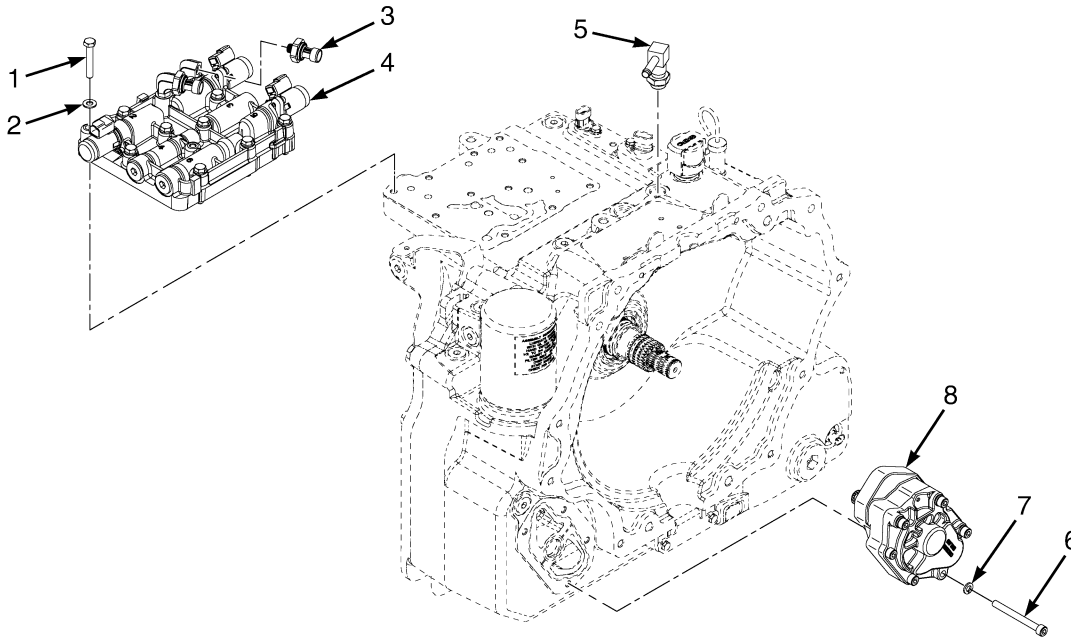
**TORQUE CONVERTER (FIGURE 6-5)
GM 4.3L LPG**



BP240064

ITEM	PART NO.	DESCRIPTION	QTY
1	1554085	Torque Converter (Standard Transmission)	1
1	1554086	Torque Converter (Electronic Transmission)	1
2	296420	Washer	6
3	1541921	Capscrew	6
4	360387	Loctite	AR

TRANSMISSION (FIGURE 6-6) SINGLE SPEED — TWO PIECE HOUSING



BP240200

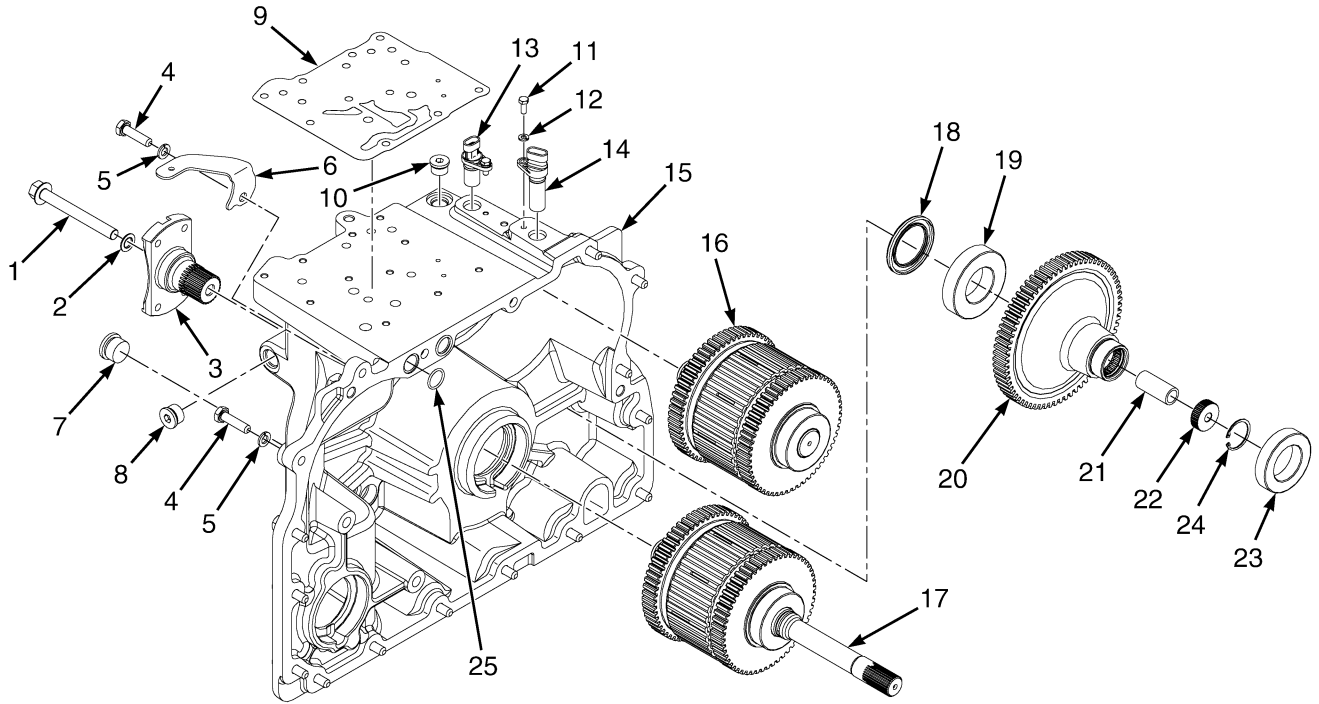
ITEM	PART NO.	DESCRIPTION	QTY
	a 1703472	Transmission Assy (T139)	1
	b 4043343	Transmission Assy (T139) (High Pressure)	1
1	292509	Capscrew	11
2	320157	Washer	11
3	2070263	Pressure Transducer	2
4	1665204	Valve (High Pressure) (☞ Figure 6-17).....	1
5	1640573	Fitting	1
6	a 296022	Capscrew	4
6	b 1676908	Capscrew	4
7	292681	Lockwasher	4
8	a 1552853	Pump	1
8	b 4618047	Charge Pump	1

FOOTNOTES:

a → 11/2013

b 12/2013 →

**TRANSMISSION (FIGURE 6-7)
SINGLE SPEED — SECTION 1 OF 2**



BP240201

ITEM	PART NO.	DESCRIPTION	QTY
	a 1703472	Transmission Assy (T139)	1
	b 4043343	Transmission Assy (T139) (High Pressure)	1
1	1654651	Flange Head Capscrew	1
2	86229	Seal	1
3	1654004	Yoke	1
4	292515	Capscrew	15
5	292682	Lockwasher	15
6	1652575	Bracket	1
7	222444	Fitting	1
8	233693	Fitting	1
9	1570360	Gasket	1
10	4589792		
	235691	Fitting	3
11	292500	Capscrew	2
12	292680	Washer	2
13	1541231	Sensor (Input Speed, TISS)	1
14	1541232	Sensor (Output Speed, TOSS)	1
15	1636643	Transmission Housing	1
16	1646888	Clutch Pack (Reverse) (☞ Figure 6-10).....	1
17	1646887	Clutch Pack (Forward) (☞ Figure 6-9).....	1
18	1547447	Oil Seal	1
19	43209	Ball Bearing	1
20	1638793	Gear (Output)	1
21	1636645	Spacer	1
22	1525686	Nut	1
23	44309	Ball Bearing	1

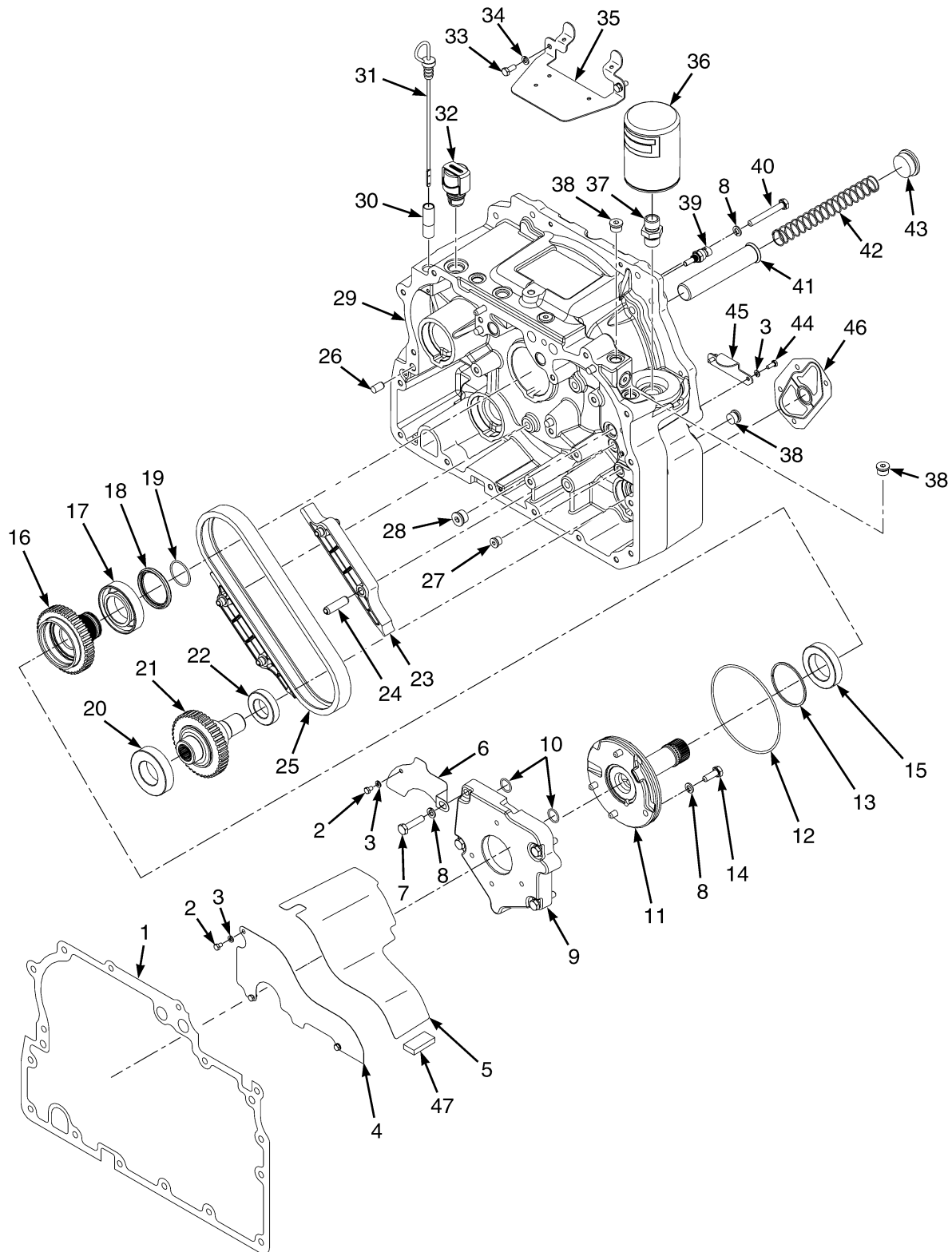
ITEM	PART NO.	DESCRIPTION	QTY
24	213099	Snap Ring	1
25	1553403	O-Ring	4

FOOTNOTES:

a → 11/2013

b 12/2013 →

TRANSMISSION (FIGURE 6-8) SINGLE SPEED — SECTION 2 OF 2



BP240223

TRANSMISSION
SINGLE SPEED – SECTION 2 OF 2

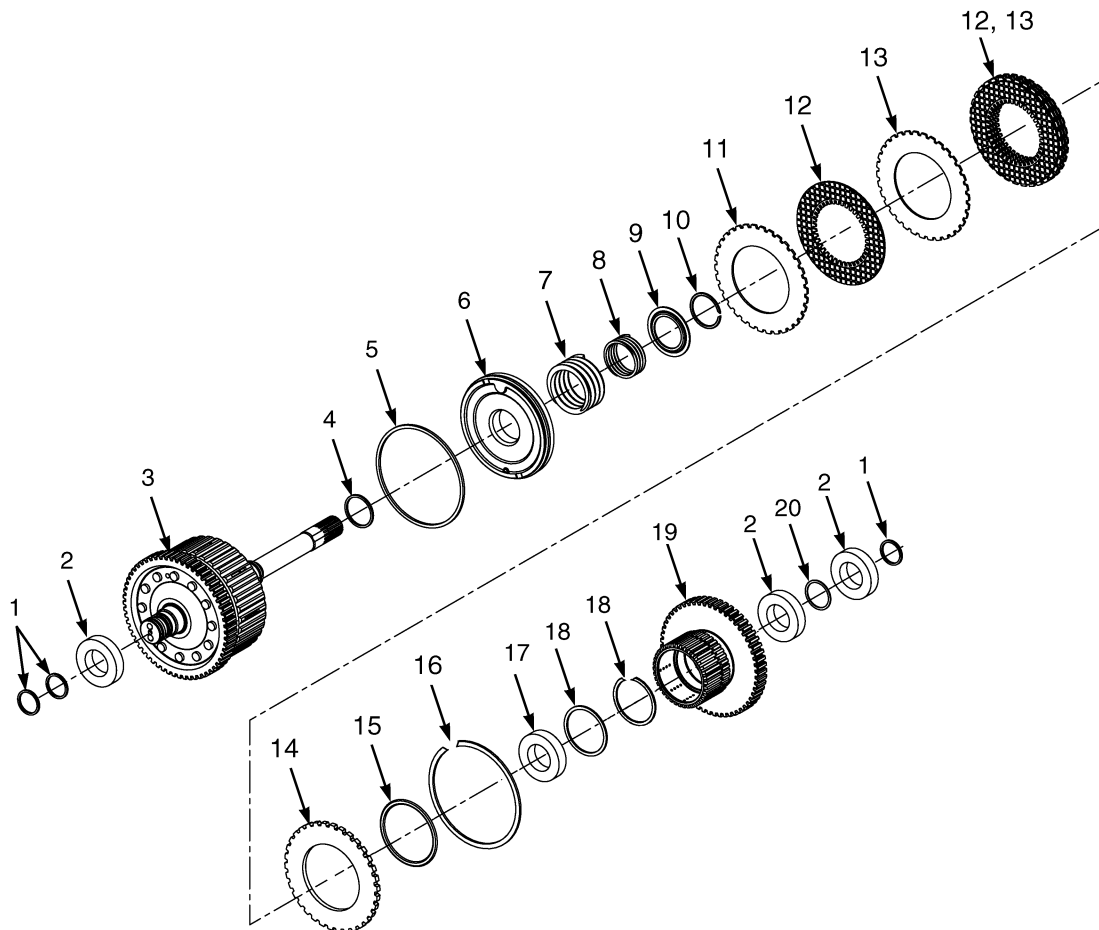
ITEM	PART NO.	DESCRIPTION	QTY
	a 1703472	Transmission Assy (T139)	1
	b 4043343	Transmission Assy (T139) (High Pressure)	1
1	1636640	Gasket	1
2	148962	Capscrew	4
3	292680	Washer	6
4	1627453	Shield (Lower)	1
5	1622887	Baffle	1
6	1624408	Shield (Upper)	1
7	292516	Capscrew	4
8	292682	Lockwasher	10
9	1638799	Carrier	1
10	1553403	O-Ring	2
11	1525677	Stator	1
11	1525679	Support	1
11	1516826	Bushing	1
12	16682	O-Ring	1
13	1544218	Sealing Ring	1
14	136985	Capscrew	4
15	44310	Ball Bearing	1
16	1541556	Sprocket (Driving)	1
17	1544216	Bearing	1
18	1544217	Oil Seal (Torque Converter)	1
19	145481	O-Ring	1
20	43209	Ball Bearing	1
21	1529890	Sprocket (Driven)	1
22	44307	Ball Bearing	1
23	1615804	Snubber	2
24	303100	Roll Pin	4
25	1494750	Chain (Drive Pump)	1
26	303150	Dowel	4
27	1579809 222443	Fitting	1
28	233693	Fitting	1
29	4043361	Housing (Torque Converter)	1
30	1624406	Dipstick Tube	1
31	1624401	Dipstick	1
32	1632741	Breather	1
33	136681	Capscrew	2
34	292681	Lockwasher	2
35	1699141	Cover Plate (Converter Housing)	1
36	4020588	Transmission Filter	1
37	1558515	Fitting	1
38	1589792 235691	Fitting	8
39	1515654	Temperature Sensor	1
40	292522	Capscrew	2
41	1627465	Screen	1
42	1550572	Spring	1
43	188210	Fitting	1
44	292500	Capscrew	2

TRANSMISSION SINGLE SPEED – SECTION 2 OF 2

ITEM	PART NO.	DESCRIPTION	QTY
45	1550567	Cover Plate	1
46	1653815	Gasket (Charge Pump)	1
47	334560	Magnet	1

FOOTNOTES:**a** → 11/2013**b** 12/2013 →

FORWARD CLUTCH (FIGURE 6-9) SINGLE SPEED TRANSMISSION

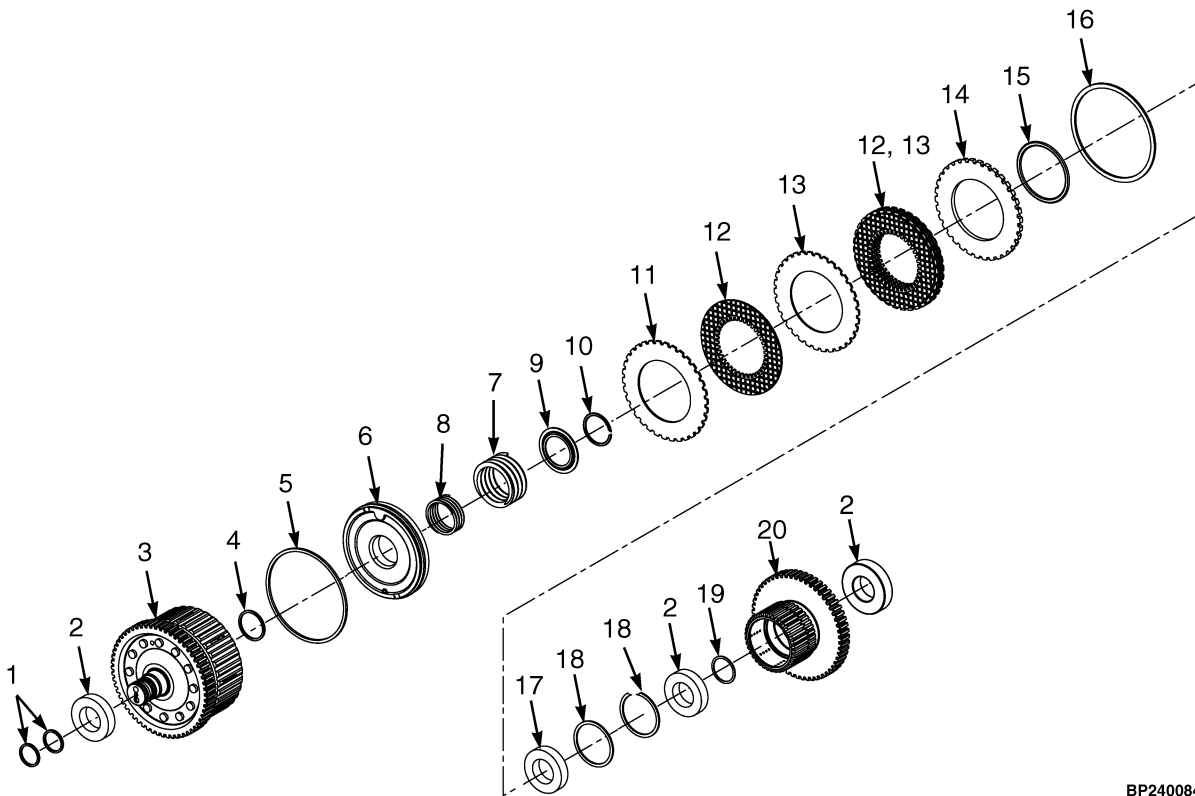


BP240089

**FORWARD CLUTCH
SINGLE SPEED TRANSMISSION**

ITEM	PART NO.	DESCRIPTION	QTY
	1646887	Clutch Pack	1
1	Ring Seal	3
2	43207	Ball Bearing	3
3	4025492	Shaft	1
4	Ring Seal	1
5	Ring Seal	1
6	2085129	Piston	1
7	1581108	Spring	1
8	1581098	Spring	1
9	1581099	Spring Guide	1
10	1581100	Snap Ring	1
11	Conical Plate	1
12	Friction Plate	8
13	Separator Plate	7
14	1537449	Pressure Plate (6.0 mm)	1
15	O-Ring	1
16	1537450	Snap Ring	1
17	124603	Ball Bearing	1
18	1581107	Snap Ring	2
19	1651761	Clutch Gear	1
20	1581106	Snap Ring	1
	1652272	Kit-Repair 8 Plate	1
	1571673	Kit-Clutch Pack Plates (Clutch Pack Plates)	1
	1595425	Kit-Clutch Pack Seals	1

**REVERSE CLUTCH (FIGURE 6-10)
SINGLE SPEED TRANSMISSION**

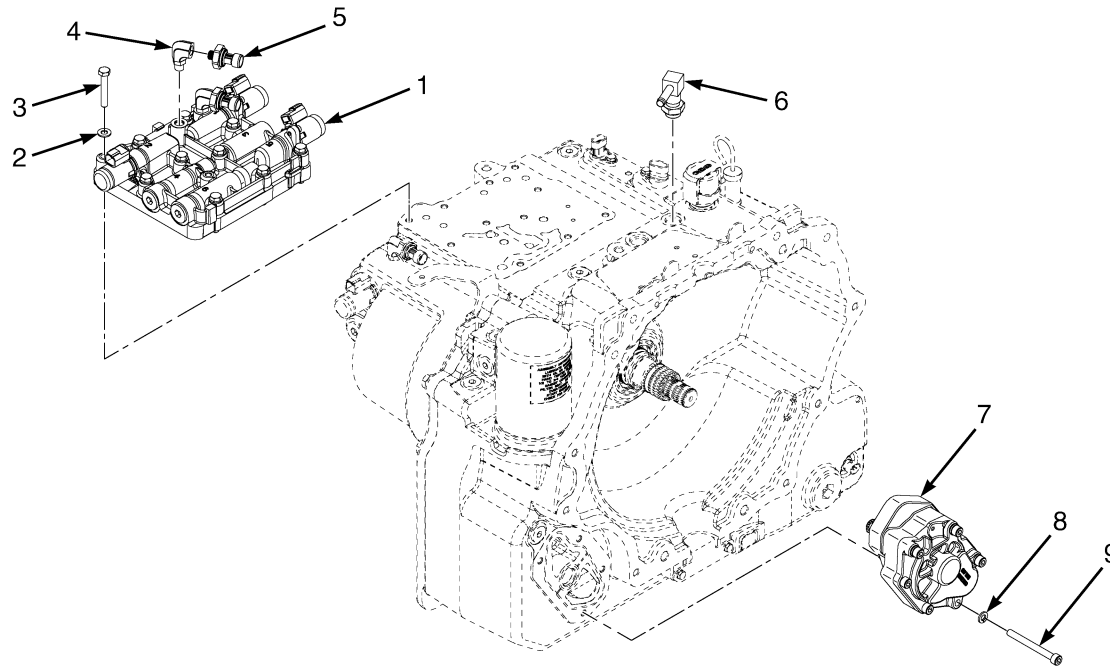


BP240084

**REVERSE CLUTCH
SINGLE SPEED TRANSMISSION**

ITEM	PART NO.	DESCRIPTION	QTY
	1646888	Clutch Pack	1
1	Seal	2
2	43207	Ball Bearing	3
3	4025493	Shaft	1
4	Seal	1
5	Seal	1
6	2085129	Piston	1
7	1581108	Spring	1
8	1581098	Spring	1
9	1581099	Spring Guide	1
10	1581100	Snap Ring	1
11	Conical Plate	1
12	Friction Plate	5
13	Separator Plate	4
14	1537449	Pressure Plate (6.0 mm)	1
15	O-Ring	1
16	1537450	Snap Ring	1
17	124603	Ball Bearing	1
18	1581107	Snap Ring	1
19	1537459	Snap Ring	1
20	1651761	Clutch Gear	1
	1652272	Kit-Repair 8 Plate	1
	1571673	Kit-Clutch Pack Plates (Clutch Pack Plates)	1
	1595425	Kit-Clutch Pack Seals	1

TRANSMISSION (FIGURE 6-11) DUAL SPEED — TWO PIECE HOUSING



BP240204

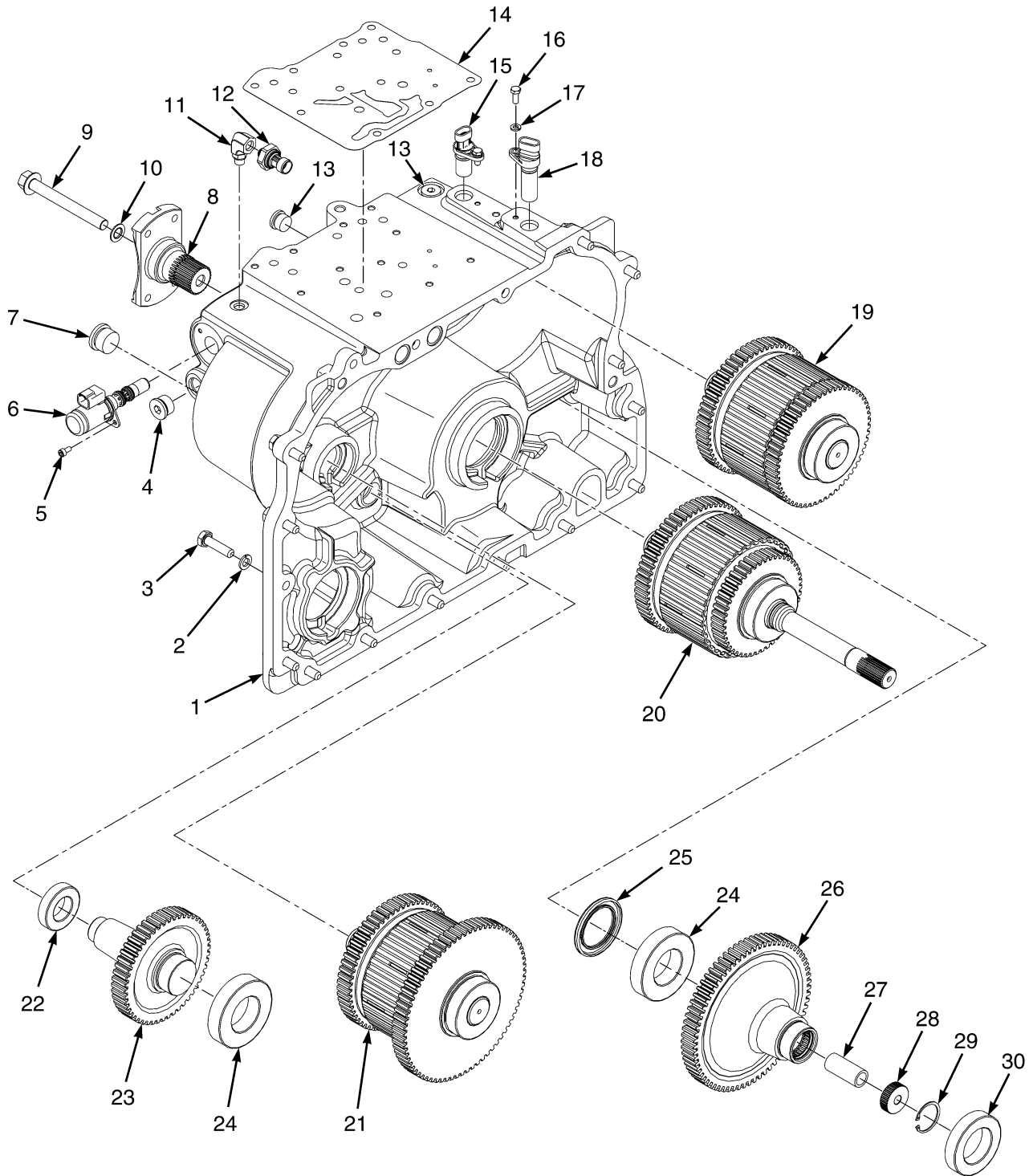
ITEM	PART NO.	DESCRIPTION	QTY
	a 4039981	Transmission Assy (2 Speed)(T150)	1
	b 4043349	Transmission Assy (T150) (High Pressure)	1
1	1665204	Valve (High Pressure)	1
2	320157	Washer	11
3	292509	Capscrew	11
4	1545546	Fitting	2
5	2070263	Pressure Transducer	2
6	a 1589792		
	235691	Fitting	1
6	b 1640573	Fitting	1
7	a 2076527	Pump	1
7	b 4618047	Charge Pump (Without Auxiliary Pump)	1
8	292681	Lockwasher	4
9	a 296022	Capscrew	4
9	b 1676908	Capscrew	4

FOOTNOTES:

a → 12/2013

b 1/2014 →

TRANSMISSION (FIGURE 6-12) DUAL SPEED — SECTION 1 OF 2



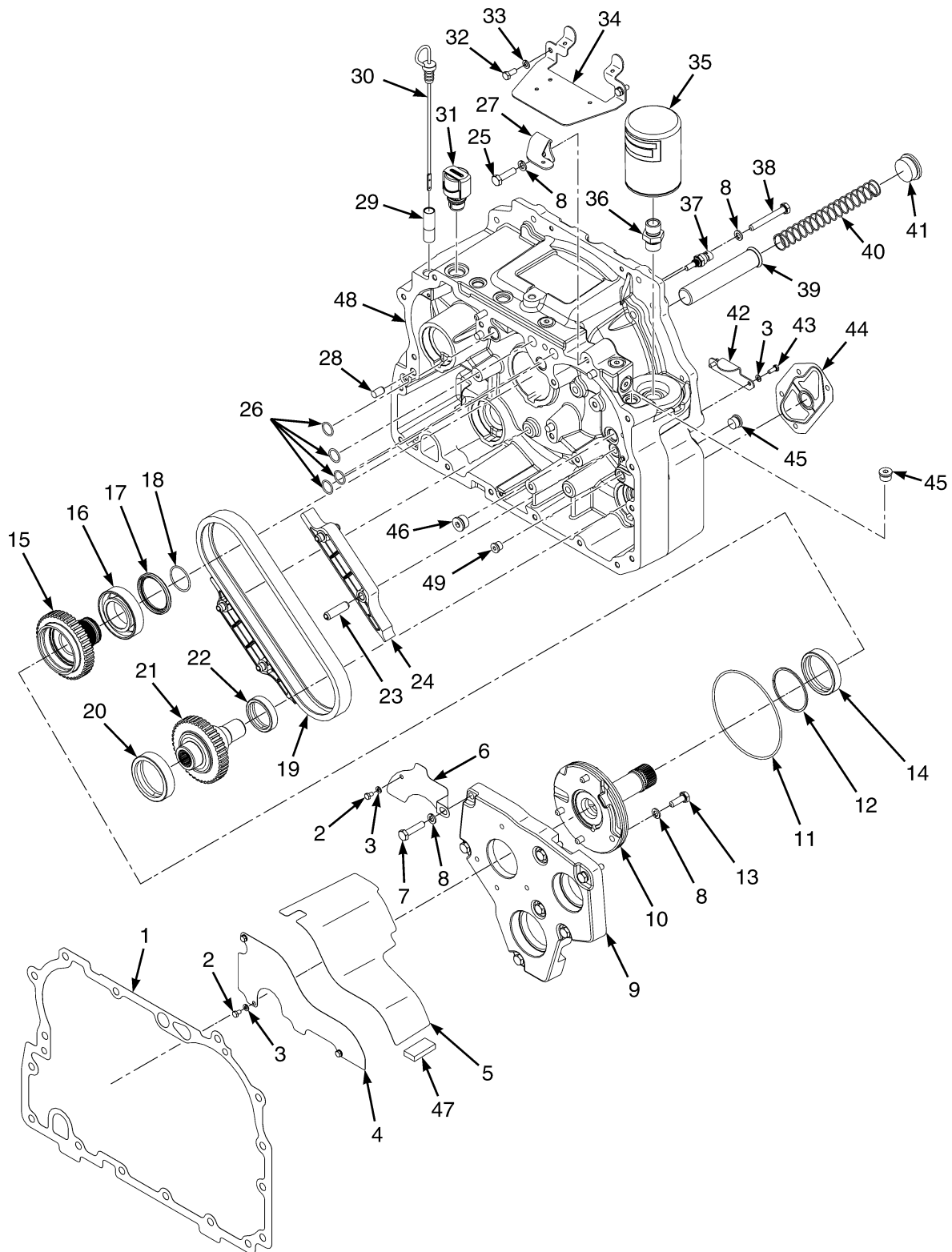
BP240205

TRANSMISSION
DUAL SPEED – SECTION 1 OF 2

ITEM	PART NO.	DESCRIPTION	QTY
	a 4039981	Transmission Assy (2 Speed)(T150)	1
	b 4043349	Transmission Assy (T150) (High Pressure)	1
1	1636630	Transmission Housing	1
2	292682	Lockwasher	14
3	292515	Capscrew	14
4	233693	Fitting	1
5	293741	Capscrew	2
6	1660500	Solenoid Valve	1
7	222444	Fitting	1
8	1654004	Yoke	1
9	1654651	Flange Head Capscrew	1
10	86229	Seal	1
11	1545546	Fitting	1
12	2070263	Pressure Transducer	1
13	1589792 235691	Fitting	3
14	1570360	Gasket	1
15	1541231	Sensor (Input Speed, TISS)	1
16	292500	Capscrew	2
17	292680	Washer	2
18	1541232	Sensor (Output Speed, TOSS)	1
19	1646886	Clutch Pack (Reverse) (☞Figure 6-16).....	1
20	1646884	Clutch Pack (Input/Forward-Low) (☞Figure 6-14).....	1
21	1646885	Clutch Pack (Forward-High) (☞Figure 6-15).....	1
22	44306	Ball Bearing	1
23	1585750	Gear (Idler)	1
24	43209	Ball Bearing	2
25	1547447	Oil Seal	1
26	1638793	Gear (Output)	1
27	1636645	Spacer	1
28	1525686	Nut	1
29	213099	Snap Ring	1
30	44309	Ball Bearing	1

FOOTNOTES:**a** → 12/2013**b** 1/2014 →

TRANSMISSION (FIGURE 6-13) DUAL SPEED — SECTION 2 OF 2



BP240224

**TRANSMISSION
DUAL SPEED – SECTION 2 OF 2**

ITEM	PART NO.	DESCRIPTION	QTY
	a 4039981	Transmission Assy (2 Speed)(T150)	1
	b 4043349	Transmission Assy (T150) (High Pressure)	1
1	1636640	Gasket	1
2	148962	Capscrew	4
3	292680	Washer	6
4	1627453	Shield (Lower)	1
5	1622887	Baffle	1
6	1624408	Shield (Upper)	1
7	292516	Capscrew	7
8	292682	Lockwasher	14
9	1636626	Carrier	1
10	1525677	Stator	1
10	1525679	Support	1
10	1516826	Bushing	1
11	16682	O-Ring	1
12	1544218	Sealing Ring	1
13	136985	Capscrew	4
14	44310	Ball Bearing	1
15	1541556	Sprocket (Driving)	1
16	1544216	Bearing	1
17	1544217	Oil Seal (Torque Converter)	1
18	145481	O-Ring	1
19	1494750	Chain (Drive Pump)	1
20	43209	Ball Bearing	1
21	1529890	Sprocket (Driven)	1
22	44307	Ball Bearing	1
23	303100	Roll Pin	4
24	1615804	Snubber	2
25	292515	Capscrew	1
26	1553403	O-Ring	4
27	1652575	Bracket	1
28	303150	Dowel	4
29	1624406	Dipstick Tube	1
30	1624401	Dipstick	1
31	1632741	Breather	1
32	136681	Capscrew	2
33	292681	Lockwasher	2
34	1699141	Cover Plate (Converter Housing)	1
35	4020588	Transmission Filter	1
36	1558515	Fitting	1
37	1515654	Temperature Sensor	1
38	292522	Capscrew	1
39	1627465	Screen	1
40	1550572	Spring	1
41	188210	Fitting	1
42	1550567	Cover Plate	1
43	292500	Capscrew	2
44	1653815	Gasket	1
45	1589792		
	235691	Fitting	5

TRANSMISSION DUAL SPEED – SECTION 2 OF 2

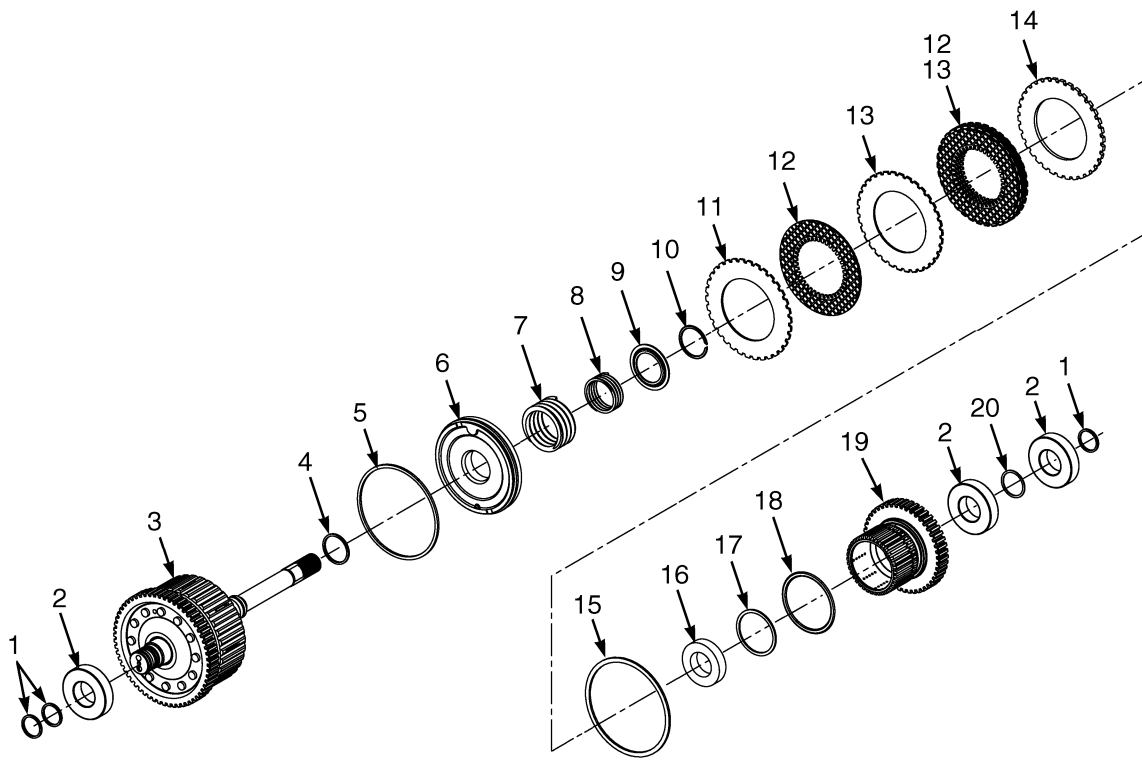
ITEM	PART NO.	DESCRIPTION	QTY
46	1579809		
	222443	Fitting	1
47	334560	Magnet	1
48	4043361	Housing (Torque Converter)	1
49	233693	Fitting	1

FOOTNOTES:

a → 12/2013

b 1/2014 →

FORWARD CLUTCH, LOW (FIGURE 6-14) DUAL SPEED TRANSMISSION

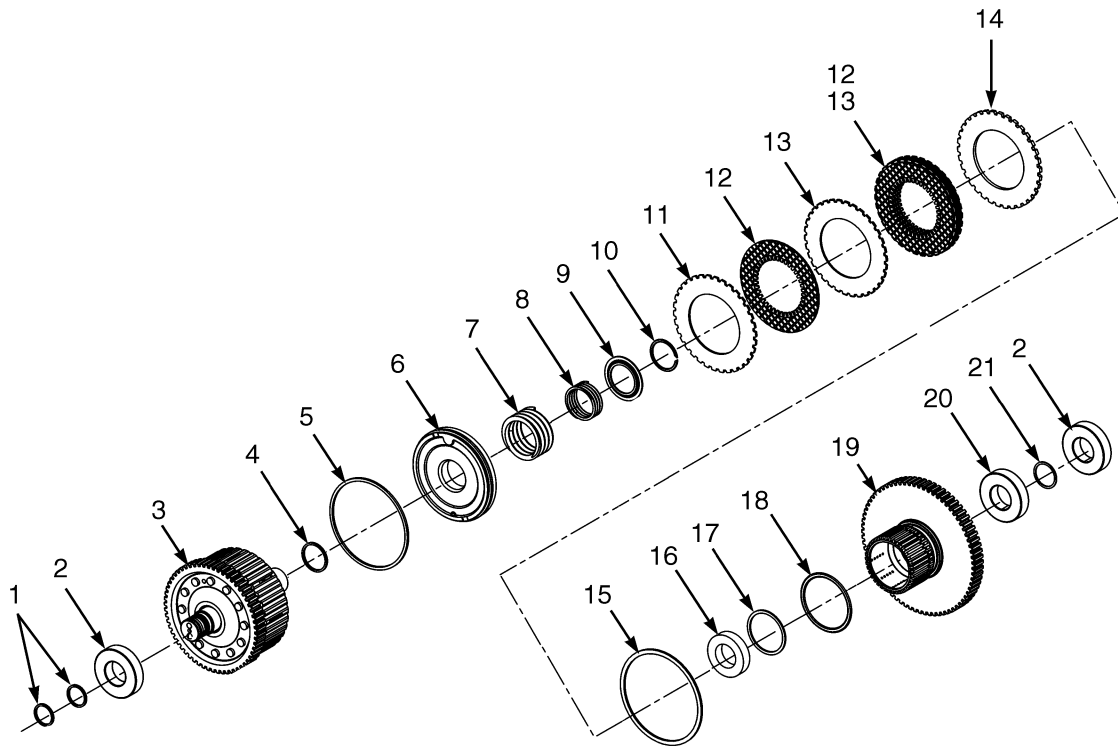


BP240107

**FORWARD CLUTCH, LOW
DUAL SPEED TRANSMISSION**

ITEM	PART NO.	DESCRIPTION	QTY
	1646884	Clutch Pack (Input/Forward-Low)	1
1	Seal	3
2	43207	Ball Bearing	3
3	4025480	Shaft	1
4	Seal	1
5	Seal	1
6	2085129	Piston	1
7	1581108	Spring	1
8	1581098	Spring	1
9	1581099	Spring Guide	1
10	1581100	Snap Ring	1
11	Conical Plate	1
12	Friction Plate	9
13	Separator Plate	8
14	1537449	Pressure Plate (6.0 mm)	1
15	1537450	Snap Ring	1
16	124603	Ball Bearing	1
17	1581107	Snap Ring	1
18	Seal	1
19	1639866	Gear	1
20	1537459	Snap Ring	1
	1652269	Kit-Clutch Pack Plates/Seals	1
	1651852	Kit-Clutch Pack Plates	1
	1595425	Kit-Clutch Pack Seals	1

FORWARD CLUTCH, HIGH (FIGURE 6-15) DUAL SPEED TRANSMISSION

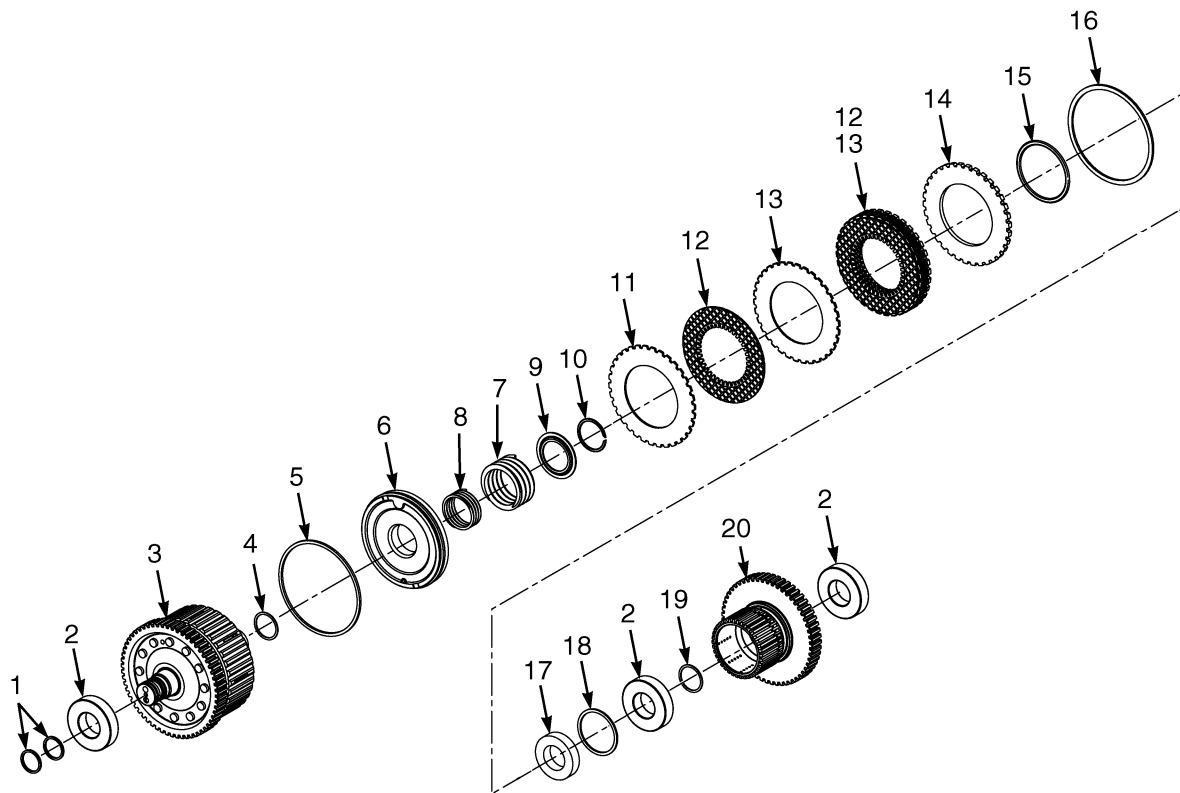


BP240105

**FORWARD CLUTCH, HIGH
DUAL SPEED TRANSMISSION**

ITEM	PART NO.	DESCRIPTION	QTY
	1646885	Clutch Pack (Forward-High)	1
1	Seal	2
2	1651753	Ball Bearing	2
3	4025491	Shaft	1
4	Seal	1
5	Seal	1
6	2085129	Piston	1
7	1581108	Spring	1
8	1581098	Spring	1
9	1581099	Spring Guide	1
10	1581100	Snap Ring	1
11	Conical Plate	1
12	Friction Plate	9
13	Separator Plate	8
14	1537449	Pressure Plate (6.0 mm)	1
15	1537450	Snap Ring	1
16	124603	Ball Bearing	1
17	1581107	Snap Ring	1
18	Seal	1
19	1639864	Gear	1
20	43207	Ball Bearing	1
21	1537459	Snap Ring	1
	1652269	Kit-Clutch Pack Plates/Seals	1
	1651852	Kit-Clutch Pack Plates	1
	1595425	Kit-Clutch Pack Seals	1

REVERSE CLUTCH (FIGURE 6-16) DUAL SPEED TRANSMISSION

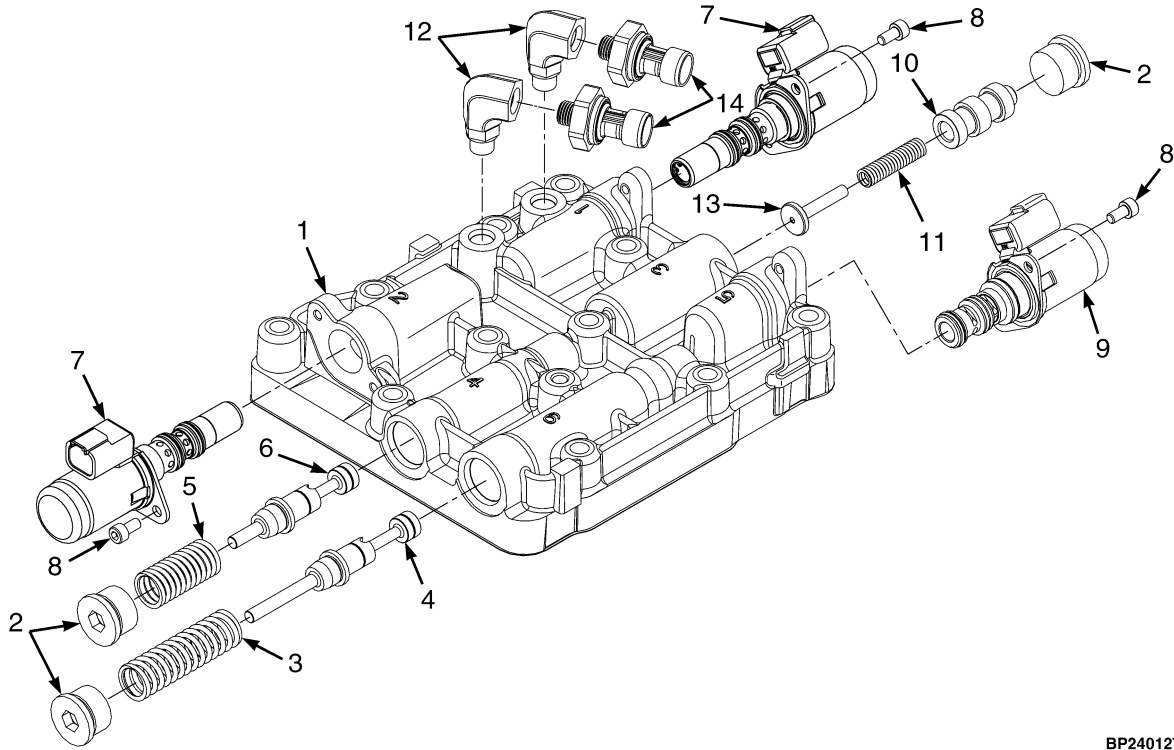


BP240106

**REVERSE CLUTCH
DUAL SPEED TRANSMISSION**

ITEM	PART NO.	DESCRIPTION	QTY
	1646886	Clutch Pack (Reverse)	1
1	Seal	3
2	43207	Ball Bearing	3
3	4025491	Shaft	1
4	Seal	1
5	Seal	1
6	2085129	Piston	1
7	1581108	Spring	1
8	1581098	Spring	1
9	1581099	Spring Guide	1
10	1581100	Snap Ring	1
11	Conical Plate	1
12	Friction Plate	9
13	Separator Plate	8
14	1537449	Pressure Plate (6.0 mm)	1
15	Seal	1
16	1537450	Snap Ring	1
17	124603	Ball Bearing	1
18	1581107	Snap Ring	1
19	1537459	Snap Ring	1
20	1639863	Gear	1
	1652269	Kit-Clutch Pack Plates/Seals	1
	1651852	Kit-Clutch Pack Plates	1
	1595425	Kit-Clutch Pack Seals	1

CONTROL VALVE ASSEMBLY (FIGURE 6-17)



BP240127

ITEM	PART NO.	DESCRIPTION	QTY
	1665204	Valve (High Pressure) (Dry Brake)	1
1	1613469	Body	1
2	233693	Fitting	3
3	1550561	Spring	1
4	1613470	Spool (High Pressure)	1
5	1514138	Spring	1
6	1544759	Spool	1
7	1660500	Solenoid Valve	2
7	1650819	Kit-Seal	1
8	293741	Capscrew	6
9	1520660	Solenoid (Transmission Enable Valve)	1
10	1590865	Spool (Cut-Off)	1
11	1590866	Return Spring	1
12	1545546	Fitting	2
13	1590839	Spool (Stop)	1
14	2070263	Pressure Transducer	2

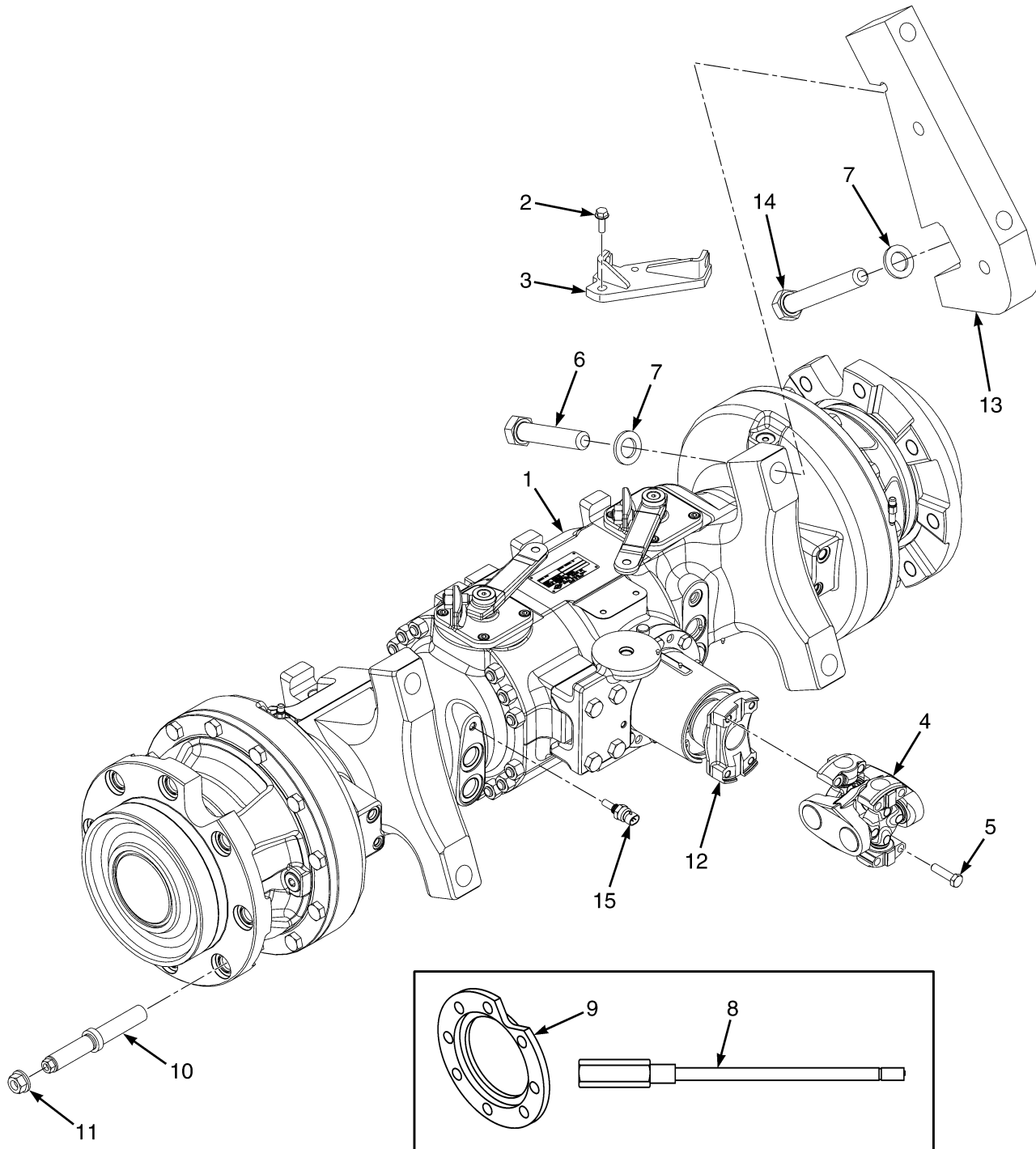
7

DRIVE AXLE

**SECTION 7
DRIVE AXLE**

DESCRIPTION	PAGE
DIFFERENTIAL	
WET BRAKE (DANA)	7-6
DIFFERENTIAL ASSEMBLY	
WET BRAKE (NMHG)	7-18
DRIVE AXLE AND ATTACHING PARTS	
WET BRAKE (DANA)	7-2
DRIVE AXLE ASSEMBLY	
WET BRAKE (NMHG) - RIGHT AND LEFT HAND HUBS	7-12
WET BRAKE (NMHG) - BRAKES AND DIFFERENTIAL	7-14
WET BRAKE (NMHG) - INPUT PINION CARRIER	7-16
DRIVE AXLE HOUSING AND HUB	
WET BRAKE (DANA)	7-4
DRIVE TIRE AND WHEEL	
PNEUMATIC RADIAL	7-24
SINGLE MOUNT WITH STANDARD TREAD	7-22
SINGLE MOUNT WITH WIDE TREAD	7-23
SNAP-ON SOLID TIRE	7-26
DRIVE WHEEL AND TIRE	
HEAVY DUTY	7-28
WET BRAKE ASSEMBLY	
DANA	7-10
NMHG	7-20

DRIVE AXLE AND ATTACHING PARTS (FIGURE 7-1) WET BRAKE (DANA)



BP070147

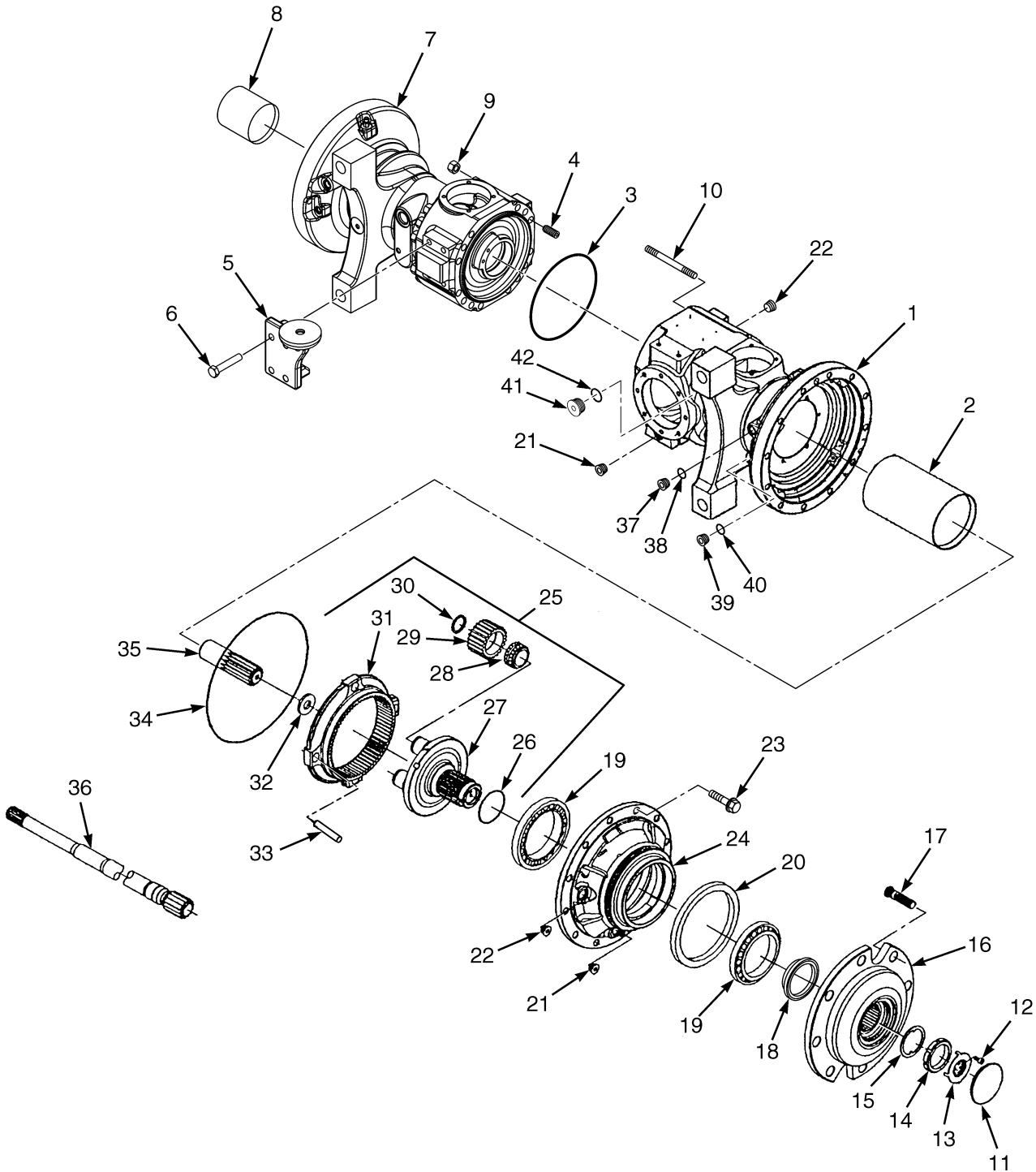
**DRIVE AXLE AND ATTACHING PARTS
WET BRAKE (DANA)****KEY:****A: H5.0-H5.5FT****B: H4.0FT5/H4.0FT6/H4.5FTS5/H4.5FT6**

ITEM	PART NO.	DESCRIPTION	QTY	
			A	B
1	c 2099764	Drive Axle (11.2 Overall Ratio) (☞Figure 7-3, ☞Figure 7-4).....	..	1
1	bf 2099761	Drive Axle (12.8 Overall Ratio) (☞Figure 7-3, ☞Figure 7-4).....	..	1
1	dg 2099762	Drive Axle (13.7 Overall Ratio) (☞Figure 7-3, ☞Figure 7-4).....	1	1
1	e 2099763	Drive Axle (15.2 Overall Ratio) (☞Figure 7-3, ☞Figure 7-4).....	1	..
2	1510113	Capscrew	2	2
3	1626353	Bracket	1	1
4	1594314	Universal Joint	1	1
5	i 1329286	Capscrew	8	8
5	j 4073087			
	4094634	Capscrew	8	8
6	226430	Capscrew	4	4
7	296434	Washer	4	4
8	a 49189	Extension (Valve Stem) (Dual Drive)	2	2
8	1638961	Extension (Single Drive)	2
8	h 2028341	Extension (Valve Stem) (Dual Drive)	2	2
9	1581561	Spacer	2	2
10	1501278	Wheel Stud (Dual Drive)	16	..
10	1501277	Wheel Stud (Dual Drive)	16
10	1569463	Wheel Stud (Single Drive)	16
11	376026	Wheel Nut	16	16
12	1684429	Yoke	1	1
13	4049121	Adapter	2	2
14	4051327	Capscrew	4	4
15	1515654	Temperature Sensor	1	1

FOOTNOTES:

a Bias Ply Tires	f LPG without Extended Function Transmission
b Diesel with Electronic Two Speed Transmission	g LPG/DSL SWB with Extended Function Transmission
c Diesel with One Speed Transmission	h Radial Tires
d DSL LWB without Extended Function Transmission	i → 4/2013
e LPG with any Transmission or DSL with Extended Function	j 4/2013 →

DRIVE AXLE HOUSING AND HUB (FIGURE 7-2) WET BRAKE (DANA)

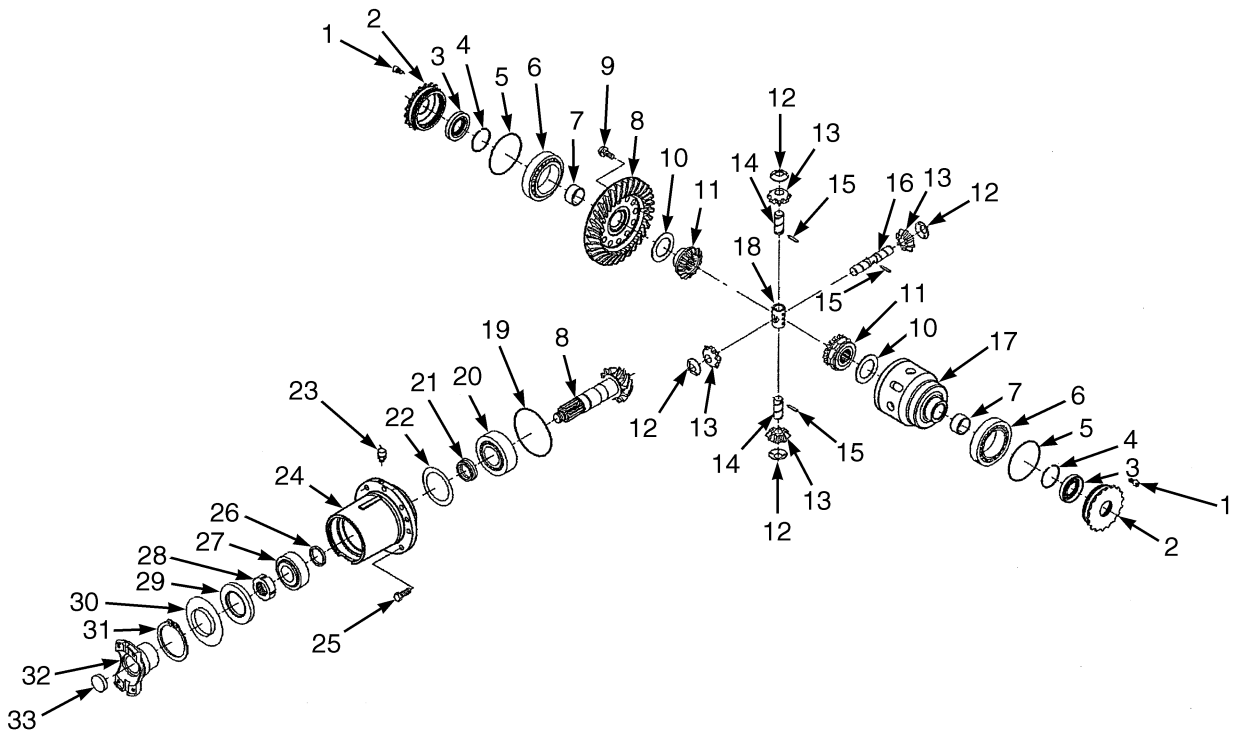


BP070067

**DRIVE AXLE HOUSING AND HUB
WET BRAKE (DANA)**

ITEM	PART NO.	DESCRIPTION	QTY
	2099764	Drive Axle (11.2 Overall Ratio)	1
	2099761	Drive Axle (12.8 Overall Ratio)	1
	2099762	Drive Axle (13.7 Overall Ratio)	1
	2099763	Drive Axle (15.2 Overall Ratio)	1
1	1644462	Drive Axle Housing (RH)	1
2	1627819	Tube (Long)	1
3	1623654	O-Ring	1
4	1623658	Bolt	4
5	1627817	Support	1
6	1623666	Bolt	4
7	1644463	Drive Axle Housing (LH)	1
8	1627818	Tube (Short)	1
9	1649534	Nut	14
10	1627812	Stud	14
11	1627813	Plug	2
12	1623652	Bolt	2
13	1627806	Cap	2
14	1627805	Nut	2
15	1627804	Washer	2
16	1627803	Wheel Hub	2
17	1569463	Wheel Stud	16
18	1627820	Washer (Hub Shaft)	2
19	1623645	Bearing	4
20	1627802	Ring (Oil Seal)	2
21	1623545	Drain Plug (Fluid Drain)	2
22	1623544	Plug (Fluid Check And Fill)	2
23	1623643	Bolt	24
24	1647656	Cover	2
25	1627814	Carrier	2
26	1689459	O-Ring	2
27	1627800	Carrier	2
28	1623640	Bearing	4
29	1623639	Gear	4
30	1623638	Retaining Ring	4
31	1623636	Ring Gear	1
32	1623635	Thrust Washer	1
33	1623637	Dowel	8
34	1623634	O-Ring	2
35	1627799	Pinion	2
36	1627815	Axle Shaft (Short)	1
36	1627816	Axle Shaft (Long)	1
37	1641353	Plug	1
38	1641355	Washer	2
39	1641354	Plug (Fluid Check And Fill)	2
40	1641356	Sealing Ring	2
41	1641352		
	1703573	Plug	1
42	1623671	O-Ring	1

DIFFERENTIAL (FIGURE 7-3) WET BRAKE (DANA)



BP070043

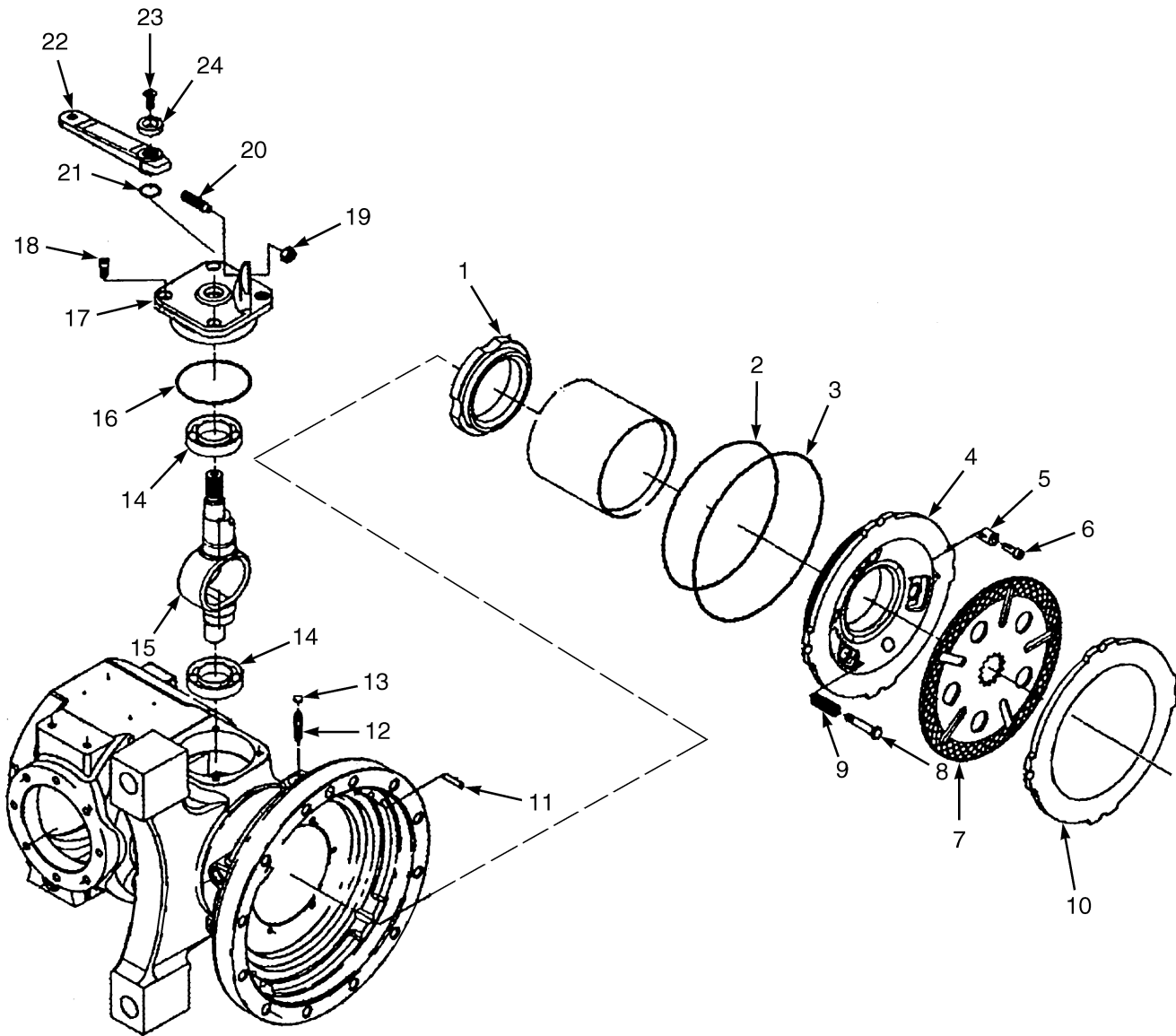
**DIFFERENTIAL
WET BRAKE (DANA)**

ITEM	PART NO.	DESCRIPTION	QTY
	2099764	Drive Axle (11.2 Overall Ratio)	1
	2099761	Drive Axle (12.8 Overall Ratio)	1
	2099762	Drive Axle (13.7 Overall Ratio)	1
	2099763	Drive Axle (15.2 Overall Ratio)	1
1	1623593	Bolt	2
2	1627793	Nut	2
3	1627794	Seal	2
4	1623590	Snap Ring	2
5	1623591	O-Ring	2
6	1623592	Bearing	2
7	1641362	Bushing	2
8	1623817	Bevel Gear (12.8 Overall Ratio)	1
8	1627925	Gear and Pinion (13.7 Overall Ratio)	1
8	1627927	Gear and Pinion (15.2 Overall Ratio)	1
8	1623575	Bevel Gear (11.2 Overall Ratio)	1
9	1623578	Bolt	12
10	1623580	Thrust Washer	2
11	1623581	Gear	2
12	1623587	Thrust Washer	4
13	1623586	Pinion	4
14	1623584	Pin	2
15	1623585	Dowel	3
16	1623583	Pin	1
17	1623579	Differential Carrier	1
18	1623582	Retainer	1
19	1623574	O-Ring	1
20	1623573	Bearing	1
21	1623572	Spacer	1
22	1627788	Shim (0.10 mm)	1
22	1627789	Shim (0.15 mm)	1
22	1627790	Shim (0.25 mm)	1
22	1641361	Shim (0.50 mm)	1
23	1627791	Plug	1
24	1623568	Cover	1
25	1627792	Bolt	8
26	1623553	Spacer (5.0 mm)	1
26	1623554	Spacer (5.1 mm)	1
26	1623555	Spacer (5.2 mm)	1
26	1623556	Spacer (5.3 mm)	1
26	1623557	Spacer (5.4 mm)	1
26	1623558	Spacer (5.5 mm)	1
26	1623559	Spacer (5.6 mm)	1
26	1623560	Spacer (5.7 mm)	1
26	1623561	Spacer (5.8 mm)	1
26	1623562	Spacer (5.9 mm)	1
26	1623563	Spacer (3.02 mm)	1
26	1623564	Spacer (3.04 mm)	1
26	1623565	Spacer (3.06 mm)	1
26	1623566	Spacer (3.08 mm)	1
26	1623567	Spacer (3.00 mm)	1

**DIFFERENTIAL
WET BRAKE (DANA)**

ITEM	PART NO.	DESCRIPTION	QTY
27	1623552	Bearing	1
28	1623551	Nut	1
29	1623550	Seal	1
30	1623549	Cover Plate	1
31	1623548	Retaining Ring	1
32	1623547	Flange (Input Yoke)	1
33	1623546	Plug	1

WET BRAKE ASSEMBLY (FIGURE 7-4) DANA

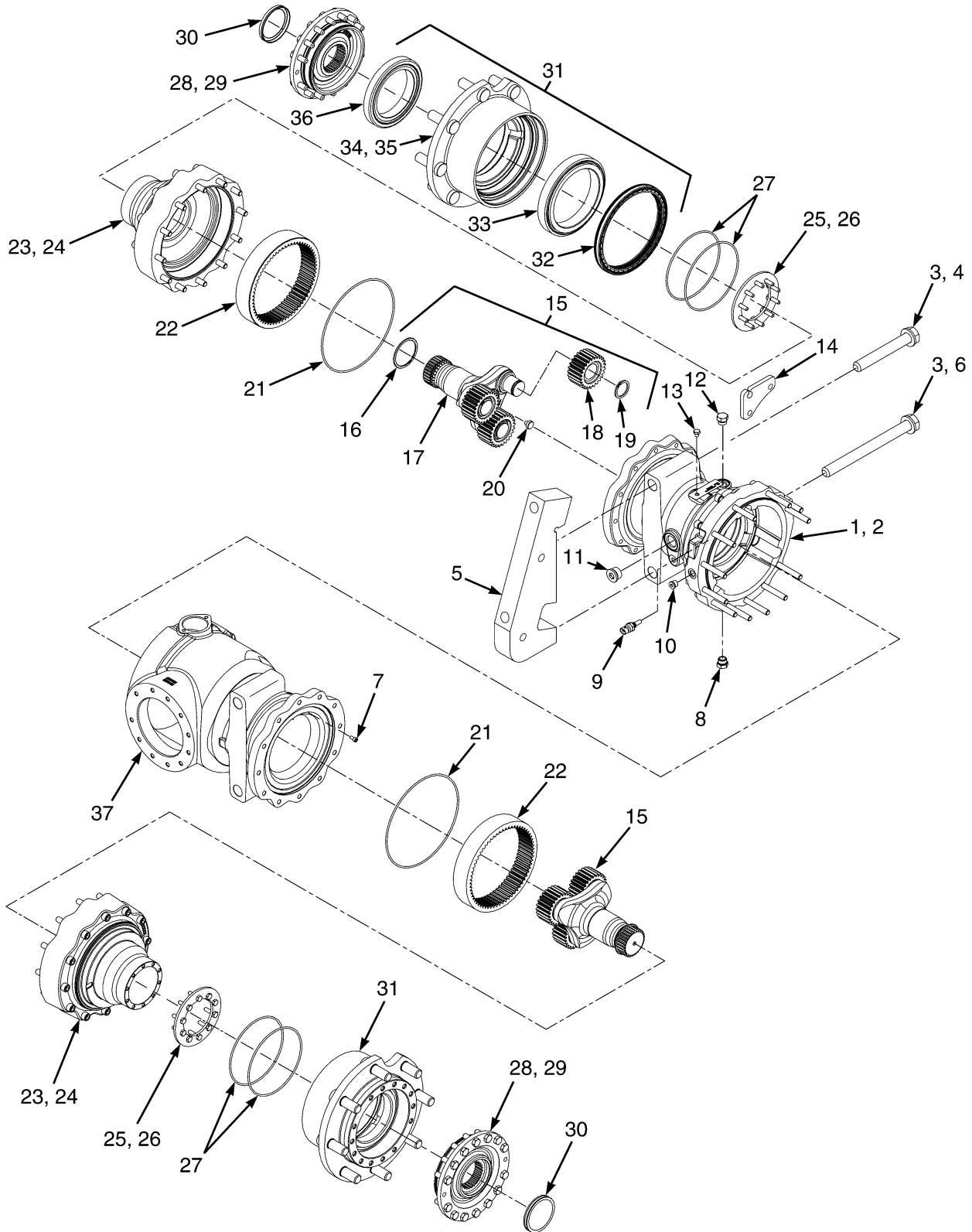


BP070032

**WET BRAKE ASSEMBLY
DANA**

ITEM	PART NO.	DESCRIPTION	QTY
	2099764	Drive Axle (11.2 Overall Ratio)	1
	2099761	Drive Axle (12.8 Overall Ratio)	1
	2099762	Drive Axle (13.7 Overall Ratio)	1
	2099763	Drive Axle (15.2 Overall Ratio)	1
1	1627823	Disk	2
2	1623687	Seal	2
3	1623688	Seal	2
4	1644455	Piston	2
5	1623690	Spring	6
6	1623691	Bolt (Adjusting)	6
7	1627837	Brake Disk	4
8	1627826	Bolt (Adjusting)	6
9	1627825	Spring	6
10	1644456	Disk (Intermediate)	4
11	1627822	Dowel	8
12	1623677	Stud (Bleeding)	2
13	1623676	Plug	2
14	1623674	Bearing	4
15	1623675	Lever (Brake)	2
16	1623673	O-Ring	2
17	1627836	Cover Plate (Reduction)	2
18	1623672	Bolt	8
19	1623696	Nut	2
20	1623695	Bolt (Left)	1
20	1646920	Bolt (Right)	1
21	1623671	O-Ring	2
22	1623670	Lever	2
23	1623669	Bolt	2
24	1623694	Spacer	2

DRIVE AXLE ASSEMBLY (FIGURE 7-5) WET BRAKE (NMHG) — RIGHT AND LEFT HAND HUBS

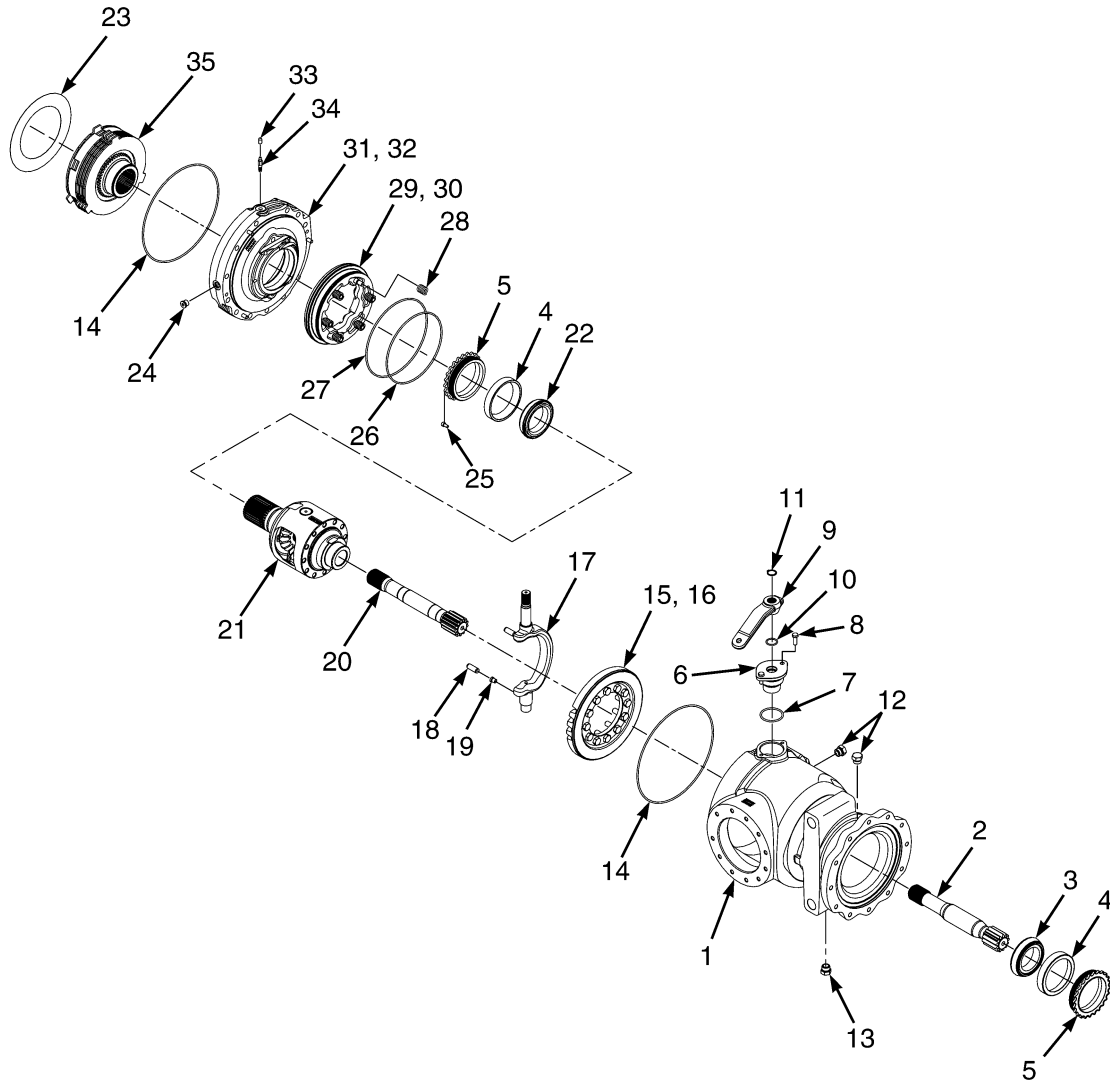


BP070169

DRIVE AXLE ASSEMBLY
WET BRAKE (NMHG) – RIGHT AND LEFT HAND HUBS**KEY:****A: 11.25 Overall Ratio****B: 12.80 Overall Ratio**

ITEM	PART NO.	DESCRIPTION	QTY	
			A	B
	4614325	Drive Axle	1	..
	4614326	Drive Axle	1
1	4057622	Drive Axle Housing (LH)	1	1
2	4030419	Capscrew	12	12
3	296434	Washer	8	8
4	226430	Capscrew	4	4
5	4049121	Adapter	2	2
6	4051327	Capscrew	4	4
7	293762	Capscrew	1	1
8	1521809	Drain Plug	2	2
9	1515654	Temperature Sensor	1	1
10	1579809			
	222443	Fitting	1	1
10	16483	O-Ring	1	1
11	222444	Fitting	1	1
11	1450764			
	16486	O-Ring	1	1
12	14595	Plug Assembly	1	1
12	199524	Plug	1	1
12	16484	O-Ring	1	1
13	283149	Capscrew	1	1
14	4009853	Bracket (Park Brake Cable)	1	1
15	4015348	Carrier Assembly (Planetary Gear)	2	2
16	4019194	Snap Ring	1	1
17	4015349	Carrier (Planetary Gear)	1	1
18	4038253	Gear Assembly	3	3
19	122400	Snap Ring	3	3
20	4019238	Thrust Block	1	1
21	1683525	O-Ring	2	2
22	1675460	Ring Gear	2	2
23	4021256	Support (Wheel Bearing)	2	2
24	4030418	Capscrew	24	24
25	1672079	Retainer Plate	2	2
26	293615	Capscrew	20	20
27	109453	O-Ring	4	4
28	4009606	Coupler	2	2
29	293646	Capscrew	28	28
30	4013871	Bearing Cap	2	2
31	4014257	Wheel Hub	2	2
32	1669384	Oil Seal	1	1
33	1683375	Bearing Set	1	1
34	4014258	Wheel Hub	1	1
35	Stud	8	8
36	1683374	Bearing Set	1	1
37	4049014	Drive Axle Housing	1	1

DRIVE AXLE ASSEMBLY (FIGURE 7-6) WET BRAKE (NMHG) — BRAKES AND DIFFERENTIAL



BP070166

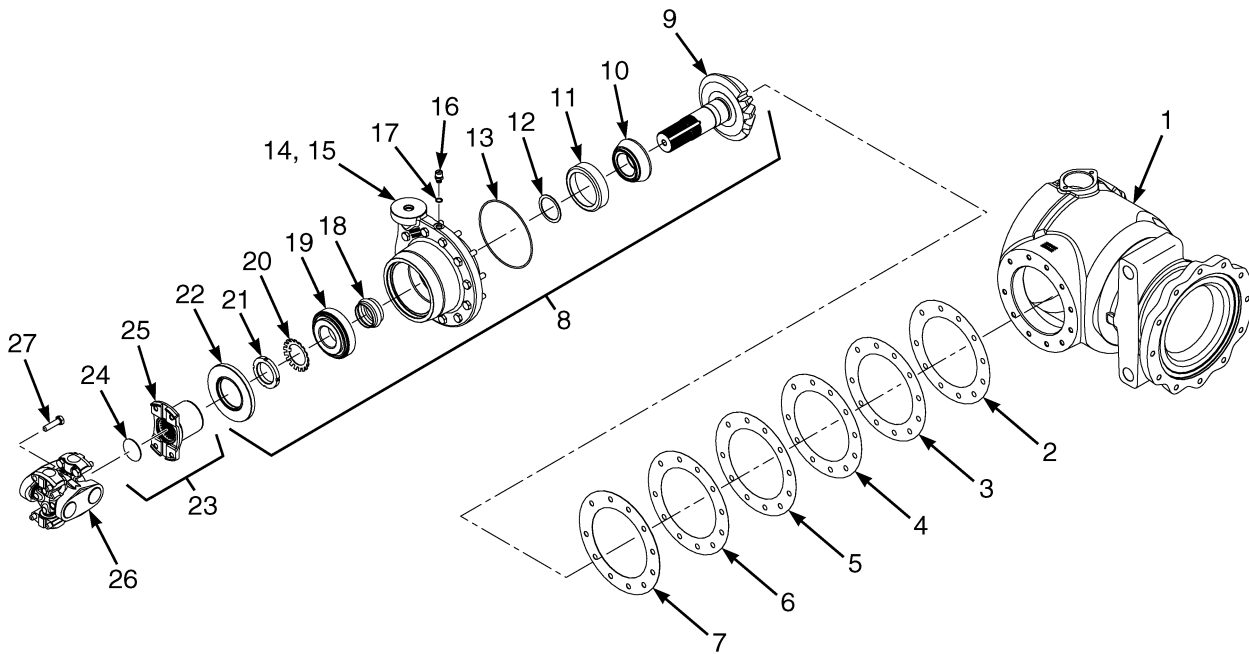
DRIVE AXLE ASSEMBLY

WET BRAKE (NMHG) – BRAKES AND DIFFERENTIAL

KEY:**A: 11.25 Overall Ratio****B: 12.80 Overall Ratio**

ITEM	PART NO.	DESCRIPTION	QTY	
			A	B
	4614325	Drive Axle	1	..
	4614326	Drive Axle	1
1	4049014	Drive Axle Housing (RH)	1	1
2	4055021	Axle Shaft (LH)	1	1
3	1678059	Bearing Cone (Tapered Roller)	1	1
4	30076	Bearing Cup	2	2
5	1672068	Nut	2	2
6	1668854	Bushing (Park Brake Shaft)	1	1
7	301991	O-Ring	1	1
8	136749	Screw	2	2
9	4009616	Parking Brake Lever	1	1
10	265732	O-Ring	1	1
11	58950	Snap Ring	1	1
12	14595	Plug Assembly	2	2
12	199524	Plug	1	1
12	16484	O-Ring	1	1
13	1521809	Drain Plug	1	1
14	1683651	O-Ring	2	2
15	1660533	Gear	1	..
15	1660536	Gear	1
16	293646	Capscrew	12	12
17	4016756	Shaft (Park Brake)	1	1
18	1673002	Dowel	2	2
19	1673001	Pin	2	2
20	4055018	Axle Shaft	1	1
21	4033638	Differential Assembly (☞Figure 7-8).....	1	1
22	230443	Bearing Cone	1	1
23	4055570	Shim	1	1
24	1579809			
	222443	Fitting	1	1
24	16483	O-Ring	1	1
25	293762	Capscrew	1	1
26	1706693	O-Ring	1	1
27	4007708	O-Ring	1	1
28	4013888	Return Spring (Clutch Return)	6	6
29	4049066	Piston (Manual Park Brake)	1	1
30	4022812	Bolt	6	6
31	4052485	Housing (Piston)	1	1
32	296016	Capscrew	3	3
33	4014418	Dust Cap	1	1
34	1672293	Bleeder Screw	1	1
35	Brake Assembly (☞Figure 7-9).....	1	1

DRIVE AXLE ASSEMBLY (FIGURE 7-7) WET BRAKE (NMHG) — INPUT PINION CARRIER



BP070160

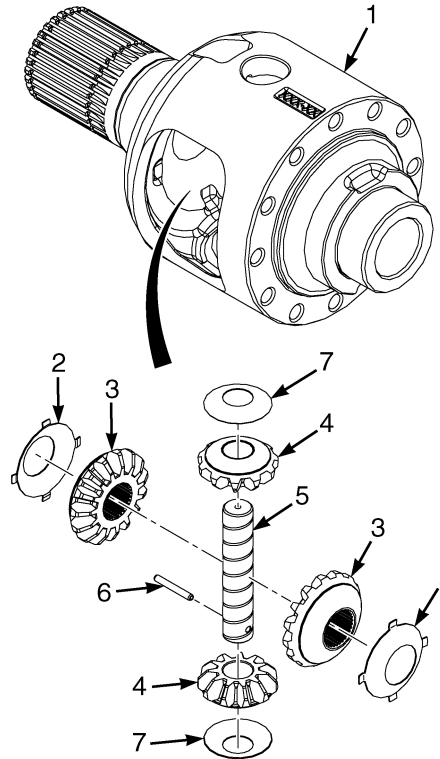
DRIVE AXLE ASSEMBLY
WET BRAKE (NMHG) – INPUT PINION CARRIER

KEY:**A: 11.25 Overall Ratio****B: 12.80 Overall Ratio**

ITEM	PART NO.	DESCRIPTION	QTY	
			A	B
	4614325	Drive Axle	1	..
	4614326	Drive Axle	1
1	4049014	Drive Axle Housing	1	1
2	2101125	Shim	1	1
3	2101126	Shim	1	1
4	2101127	Shim	1	1
5	2101128	Shim	1	1
6	2101129	Shim	1	1
7	2101124	Shim	1	1
8	4622464	Carrier Assembly (Input Pinion)	1	..
8	4622465	Carrier Assembly (Input Pinion)	1
9	1660452	Pinion	1	..
9	1660453	Pinion	1
10	230420	Bearing Cone	1	1
11	230419	Bearing Cup	1	1
12	1672691	Washer	1	1
13	39756	O-Ring	1	1
14	4057297	Carrier (Input Pinion)	1	1
15	a 293632	Capscrew	11	11
16	a 1692643	Plug	1	1
17	a 4014761	Washer (Sealing)	1	1
18	1672693	Sleeve	1	1
19	2022352	Tapered Roller Bearing	1	1
20	2050732	Lockwasher	1	1
21	2050733	Nut	1	1
22	1672069	Oil Seal	1	1
23	1684429	Yoke	1	1
24	1683530	End Plug	1	1
25	1677255	Yoke	1	1
26	1594314	Universal Joint	1	1
27	1329286	Capscrew	8	8

FOOTNOTES:**a** Not Included with Input Pinion Carrier Assembly

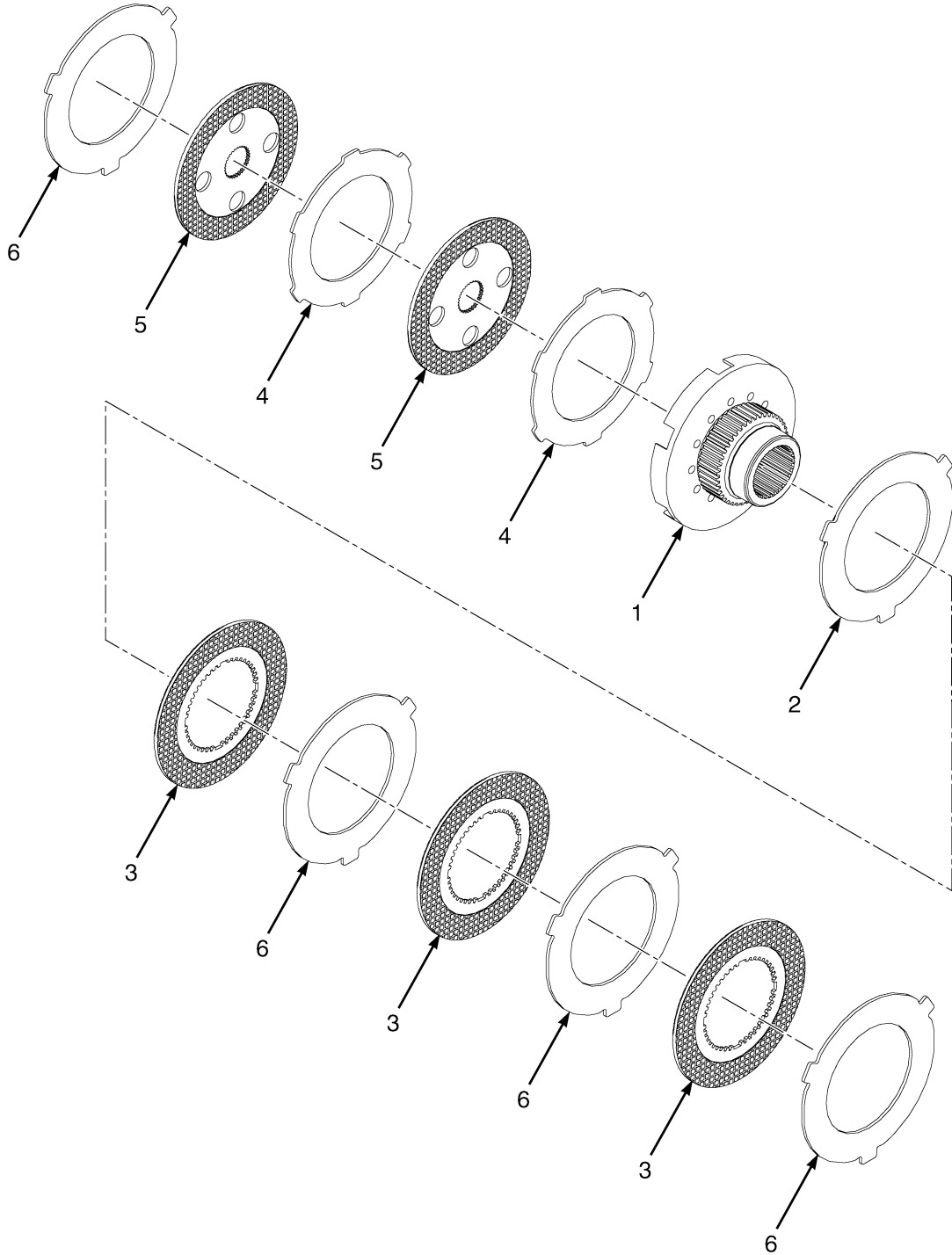
DIFFERENTIAL ASSEMBLY (FIGURE 7-8) WET BRAKE (NMHG)



BP070161

ITEM	PART NO.	DESCRIPTION	QTY
	4033638	Differential Assembly	1
1	4033635	Differential Housing	1
2	4030616	Washer (Side Gear)	2
3	4017114	Gear (Side Differential)	2
4	4006063	Gear (Pinion Differential)	2
5	1695326	Shaft (Differential)	1
6	302469	Roll Pin	1
7	4006296	Washer (Pinion Gear)	2

WET BRAKE ASSEMBLY (FIGURE 7-9) NMHG

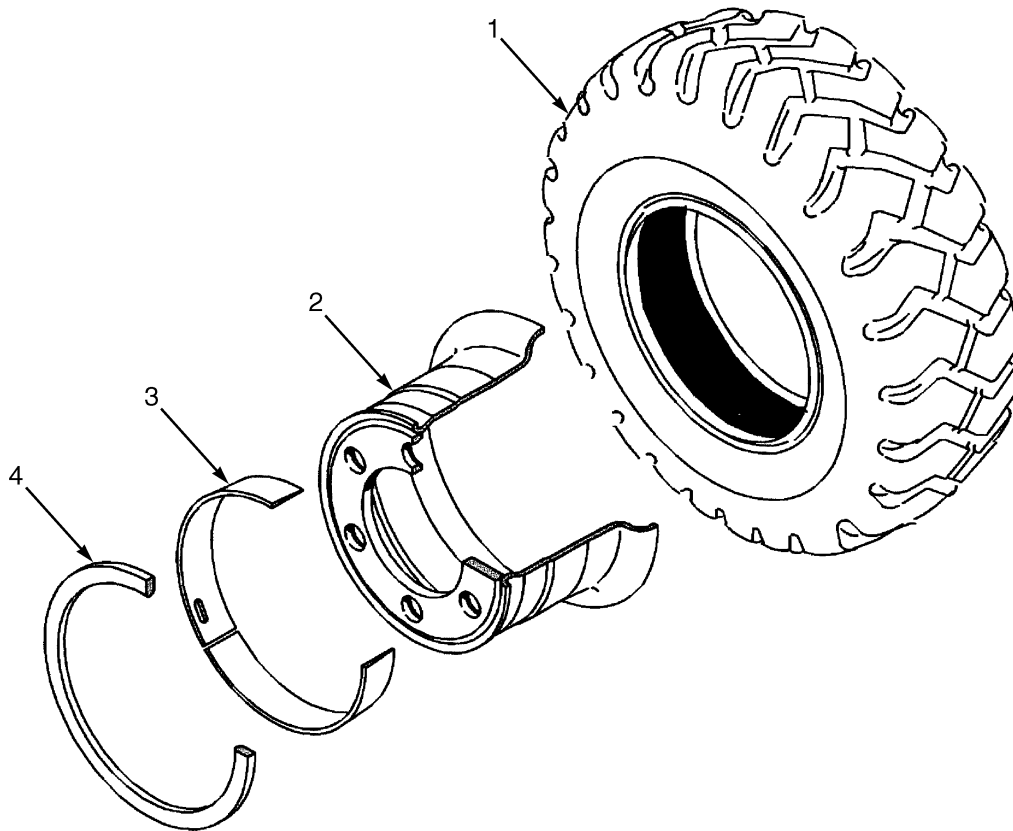


BP070162

**WET BRAKE ASSEMBLY
NMHG**

ITEM	PART NO.	DESCRIPTION	QTY
1	4000912	Brake Carrier	1
2	Separator Plate	1
3	Friction Disk	3
4	Separator Plate	2
5	Friction Disk	2
6	Separator Plate	4
	4068069	Kit Brake Disks And Plates	1

DRIVE TIRE AND WHEEL (FIGURE 7-10) SINGLE MOUNT WITH STANDARD TREAD



BP070041

KEY:

A: 250 x 15-20 PR (H4.0-4.5FT5)

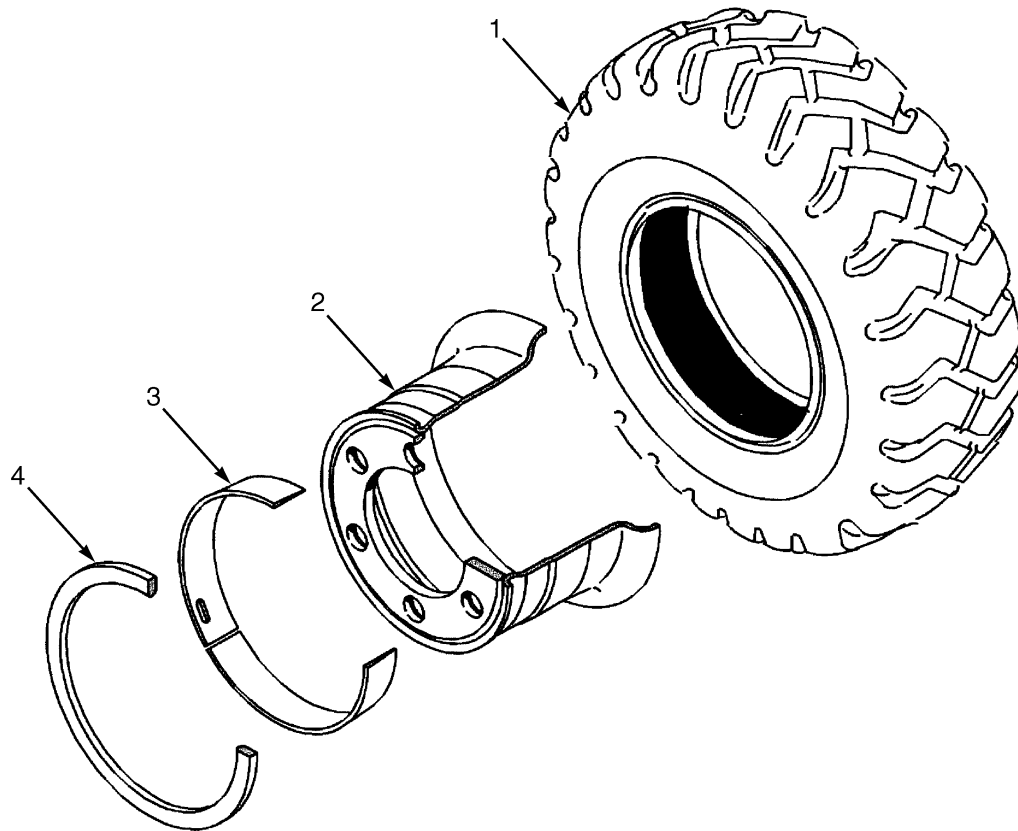
B: 300 x 15-20 PR (H4.5FT6-H5.5)

ITEM	PART NO.	DESCRIPTION	QTY	
			A	B
1	1547342	Tire	2	..
1	1547348	Tire	2
2	2083537	Wheel Assy	2	..
2	2083540	Wheel Assy	2
3	1618588	Wheel Side Ring	1	..
3	321124	Wheel Side Ring	1
4	1618589	Wheel Lock Ring	1	1
	a 1618586	Ring-Tapered Bead Seat	1	1

FOOTNOTES:

a Not Illustrated

**DRIVE TIRE AND WHEEL (FIGURE 7-11)
SINGLE MOUNT WITH WIDE TREAD**



BP070041

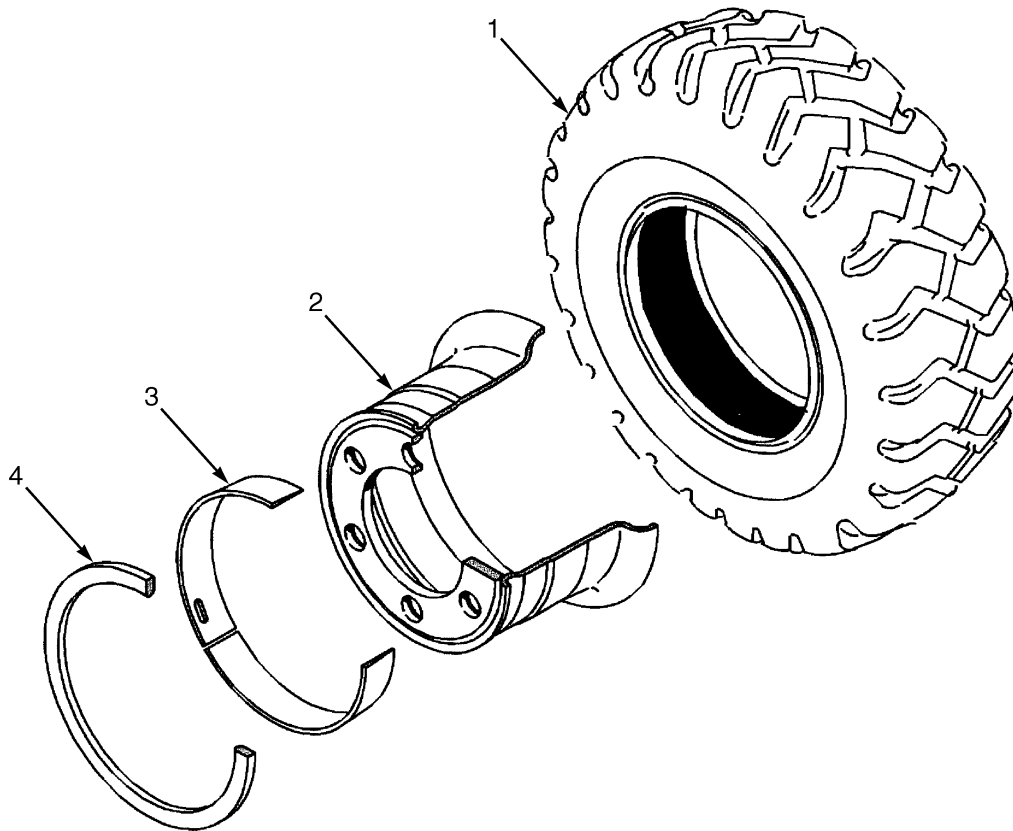
KEY:

A: 250 x 15-20PR (H4.0-4.5FT5)

B: 300 x 15-20PR (H40.5FT6-H5.5)

ITEM	PART NO.	DESCRIPTION	QTY	
			A	B
1	1547342	Tire	2	..
1	1547348	Tire	2
2	2083538	Wheel Assy	2	..
2	2083541	Wheel Assy	2
3	1618588	Wheel Side Ring	1	..
3	321124	Wheel Side Ring	1
4	1618589	Wheel Lock Ring	1	1
	1618586	Ring-Tapered Bead Seat	1	1

DRIVE TIRE AND WHEEL (FIGURE 7-12) PNEUMATIC RADIAL



BP070041

KEY:

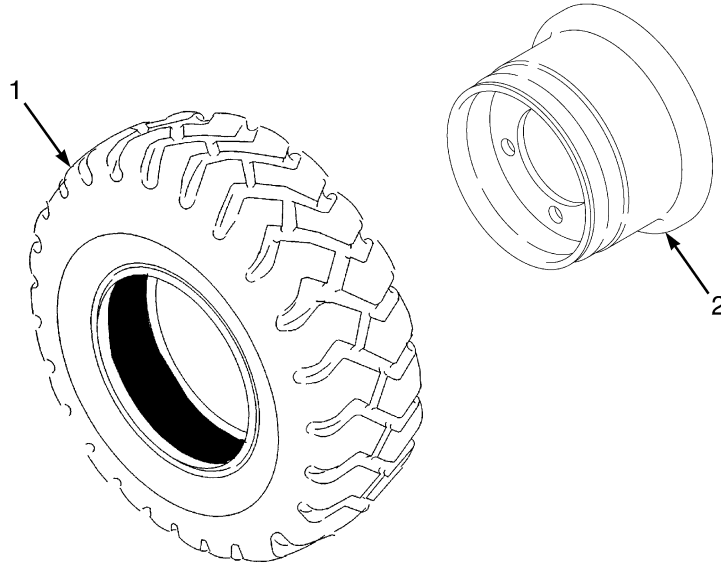
- A:** 250/70 R15 Single Mount (H4.0-4.5FT5)
- B:** 7.00 R15 Dual Mount (H4.0-4.5FT5)
- C:** 315/70 R15 Single Mount (H4.5FT6-H5.5)
- D:** 8.25 x R15 PR Dual Mount (H4.5FT6-H5.5)

ITEM	PART NO.	DESCRIPTION	QTY			
			A	B	C	D
1	1471830	Pneumatic Tire Assembly (TBS)	2
1	1471836	Pneumatic Tire	4
1	1471831	Pneumatic Tire Assembly (TBS)	2	..
1	1471838	Pneumatic Tire	4
2	2083537	Wheel Assy	2
2	2083538	Wheel Assy (Wide Tread)	2
2	2083539	Wheel Assy	4
2	2083540	Wheel Assy	2	..
2	2083541	Wheel Assy (Wide Tread)	2	..
2	2083542	Wheel Assy	4
3	1618588	Wheel Side Ring	1
3	980541	Wheel Side Ring	1
3	321124	Wheel Side Ring	1	1
4	1618589	Wheel Lock Ring	1	..	1	1

KEY:**A: 250/70 R15 Single Mount (H4.0-4.5FT5)****B: 7.00 R15 Dual Mount (H4.0-4.5FT5)****C: 315/70 R15 Single Mount (H4.5FT6-H5.5)****D: 8.25 x R15 PR Dual Mount (H4.5FT6-H5.5)**

ITEM	PART NO.	DESCRIPTION	QTY			
			A	B	C	D
4	980542	Wheel Lock Ring	1
5	1618586	Ring-Tapered Bead Seat (Not Illustrated)	1	1	1	1

DRIVE TIRE AND WHEEL (FIGURE 7-13) SNAP-ON SOLID TIRE



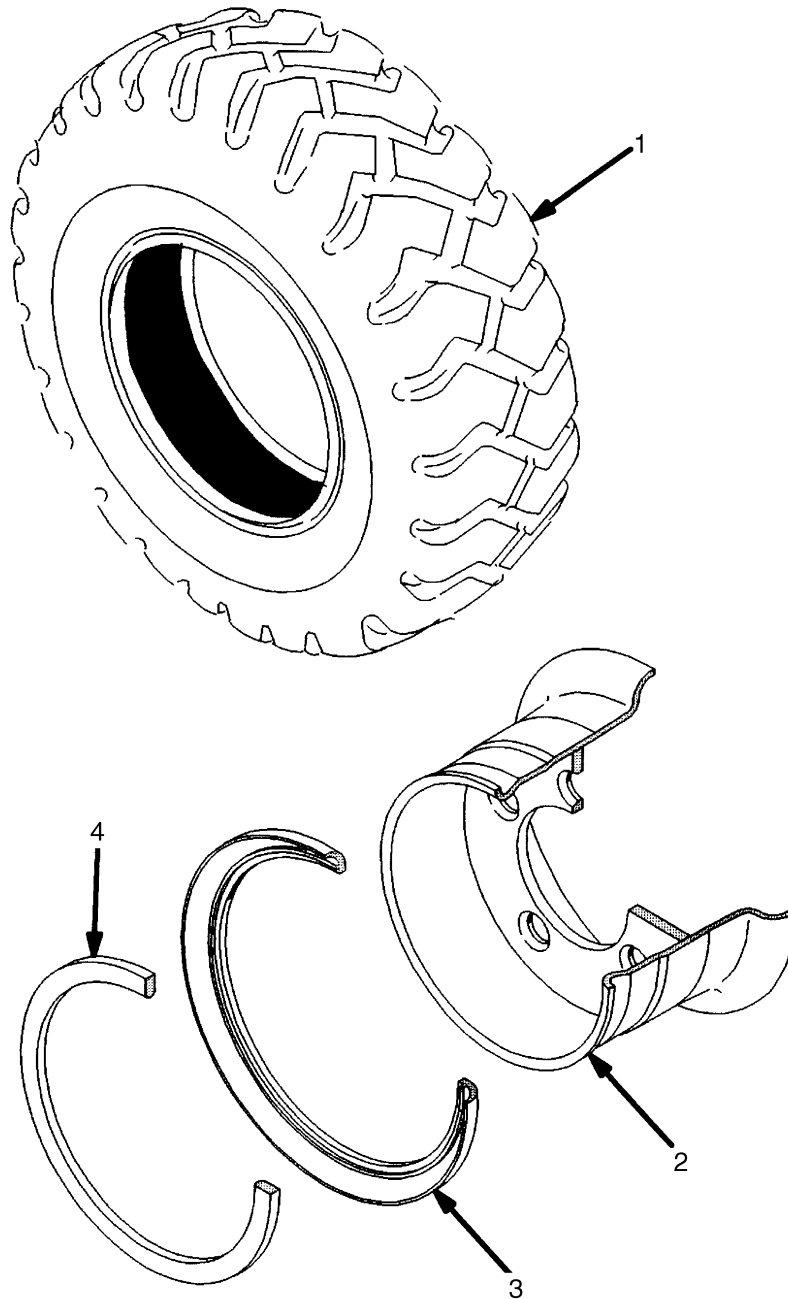
BP000223

KEY:

- A: 250 x 15 (H4.0-4.5FT5)
- B: 300 x 15 (H4.5FT6-H5.5FT)
- C: 7.00 x 15 (H4.0-4.5FT5 Dual)
- D: 8.25 x 15 (H4.5FT6-H5.5 Dual)

ITEM	PART NO.	DESCRIPTION	QTY			
			A	B	C	D
1	1547354	Solid Pneumatic Tire	2
1	2083389	Solid Pneumatic Tire (Non-Marking)	2
1	1547356	Solid Pneumatic Tire	2
1	2083390	Solid Pneumatic Tire (Non-Marking)	2
1	1547355	Solid Pneumatic Tire	4	..
1	1547357	Solid Pneumatic Tire	4
2	2083523	Wheel	2
2	2083524	Wheel (Wide Tread)	2
2	2083526	Wheel	2
2	2083525	Wheel	4	..
2	2083528	Wheel	4

**DRIVE WHEEL AND TIRE (FIGURE 7-14)
HEAVY DUTY**



BP070070

**DRIVE WHEEL AND TIRE
HEAVY DUTY****KEY:****A: 20x12.5-15 (4.0-4.5S5)****B: 355/65-15 (4.5FT6-5.5)****C: 355/50-20 (4.5FT6-5.5)**

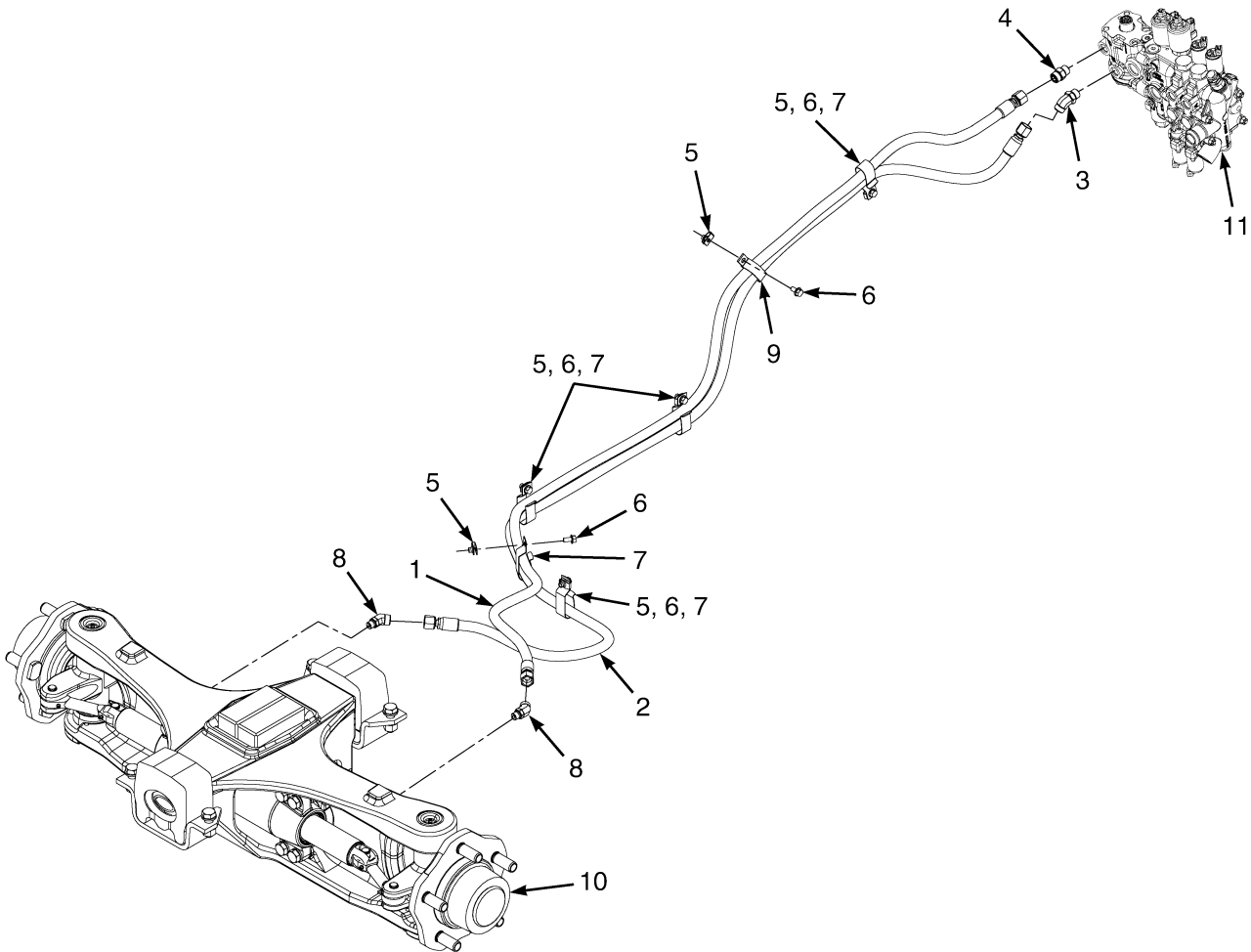
ITEM	PART NO.	DESCRIPTION	QTY		
			A	B	C
1	1688187	Solid Pneumatic Tire	2
1	1688188	Solid Pneumatic Tire	2	..
1	1688190	Solid Pneumatic Tire	2
2	2106024	Wheel	2
2	2103735	Wheel Assy (9.75 x 15)	2	2	..
3	160653	Wheel Side Ring	1	1	..
4	980542	Wheel Lock Ring	1	1	..
	a 1618586	Ring-Tapered Bead Seat	1	1	..

FOOTNOTES:**a** Not Illustrated

**SECTION 8
STEERING SYSTEM**

DESCRIPTION	PAGE
STEER AXLE	8-14
STEER CONTROL UNIT	8-10
STEER CYLINDER	8-18
STEER TIRE AND WHEEL	8-20
STEERING COLUMN AND ATTACHING PARTS	8-4
STEERING COLUMN ASSEMBLY	
DIESEL	8-8
LPG	8-6
STEERING CONTROL UNIT	
VARIABLE DISPLACEMENT	8-12
STEERING HOSES	8-2

STEERING HOSES (FIGURE 8-1)

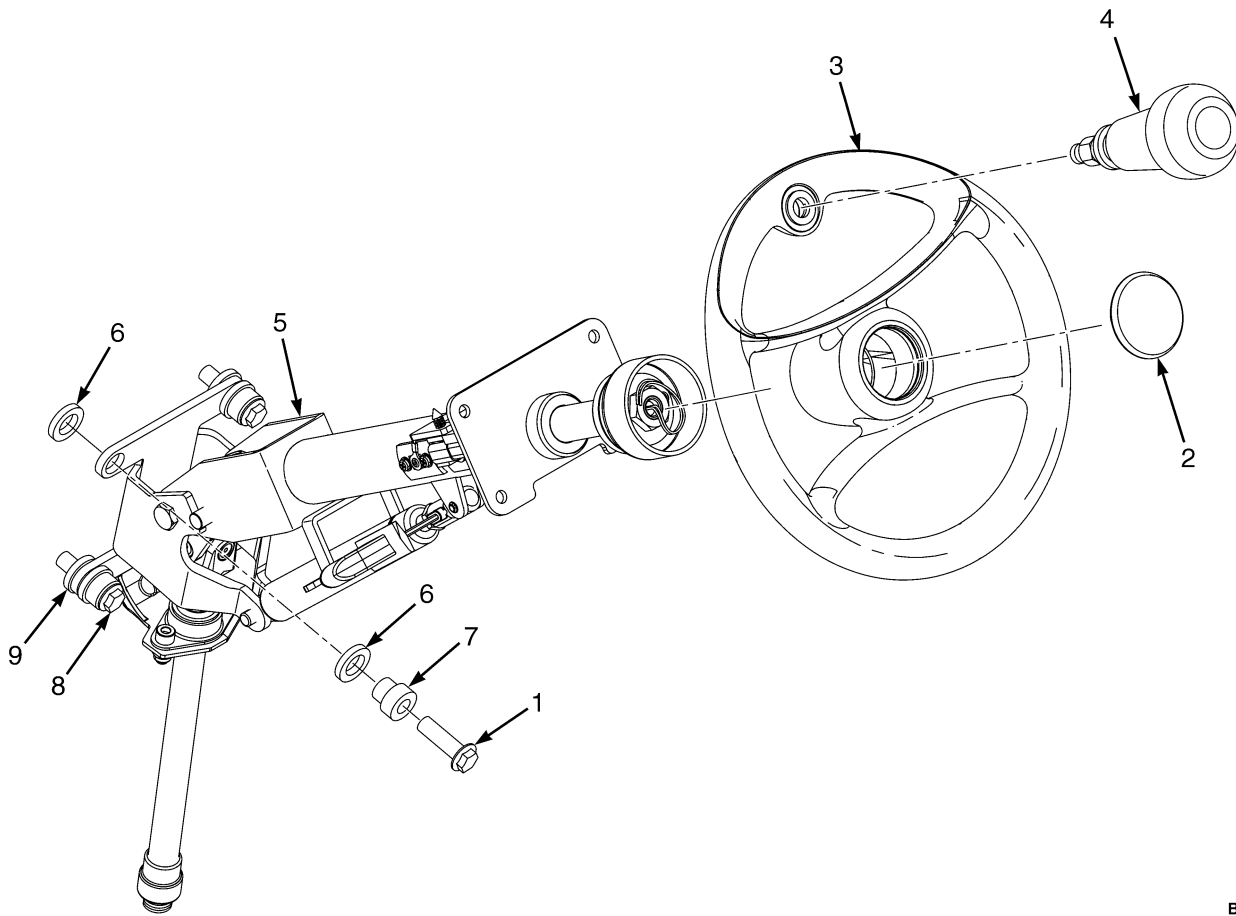


BP220216

STEERING HOSES**KEY:****A: H4.0FT5/H4.0FT6/H4.5FTS5/H4.5FT6****B: H5.0-5.5FT**

ITEM	PART NO.	DESCRIPTION	QTY	
			A	B
1	2104075	Hose Assy (1830 WB)	1	..
1	2104076			
	4645353	Hose Assy (2100 WB)	1
2	2103501	Hose Assy (1830 WB)	1	..
2	2104077			
	4645350	Hose Assy (2100 WB)	1
3	4022959	Fitting	1	1
4	4022957	Fitting	1	1
5	1480237	Nut	6	7
6	4109993			
	1527879	Capscrew	6	7
7	1562648	Clip	5	6
8	1516203	Fitting	2	2
9	251994	Clamp	1	1
10	1540851	Steer Axle Assembly (☞Figure 8-7).....	1	1
11	Hydraulic Control Valve (☞Figure 10-13).....	1	1

STEERING COLUMN AND ATTACHING PARTS (FIGURE 8-2)



BP220252

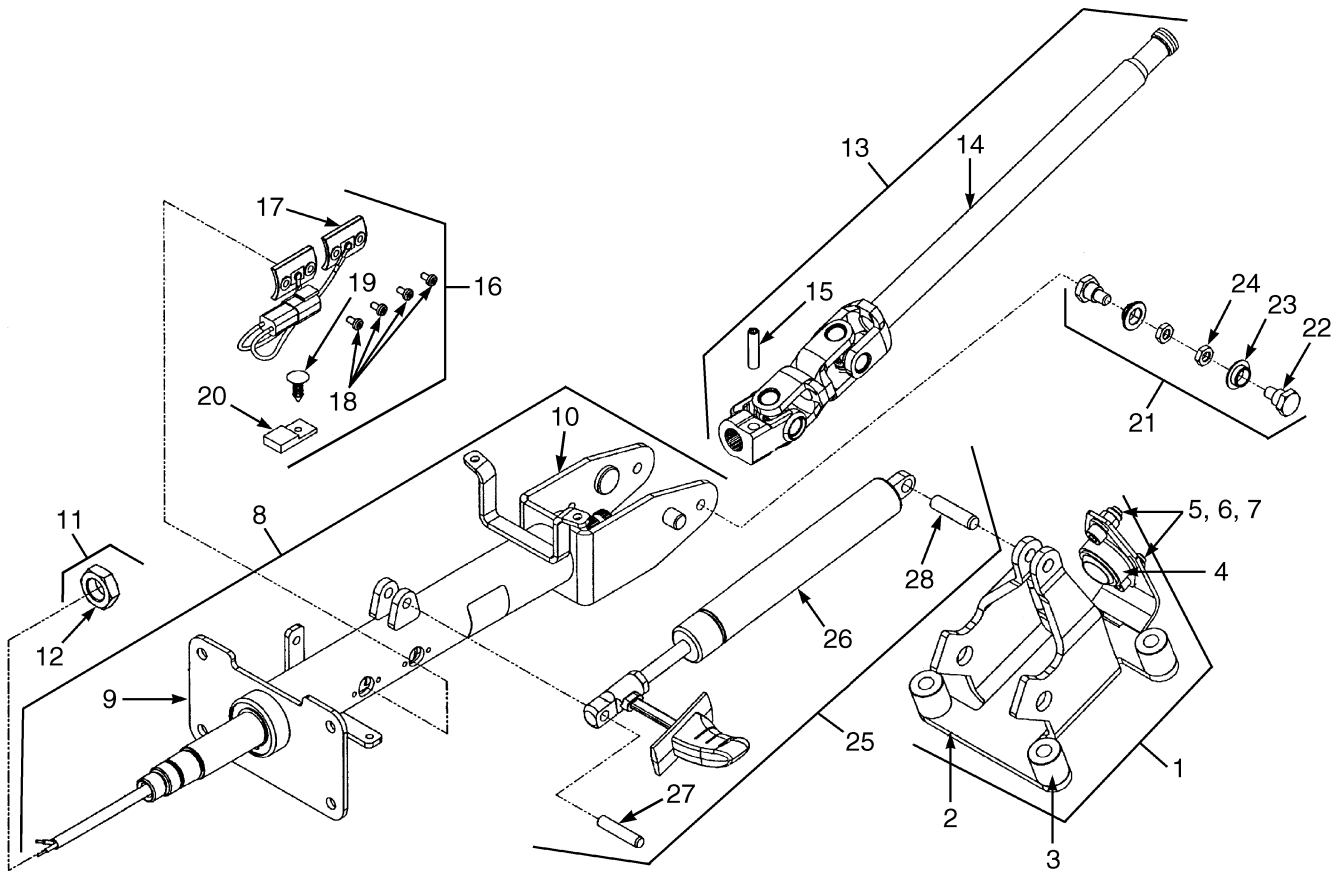
KEY:

A: Isolated

B: Non-Isolated

ITEM	PART NO.	DESCRIPTION	QTY	
			A	B
1	1512403	Capscrew	2	2
2	1608622	Horn Button	1	1
3	1551839	Steering Wheel (Without Spinner Knob)	1	1
3	1531563	Steering Wheel (With Spinner)	1	1
4	1586109	Knob Assembly	1	1
5	4611791	Steering Column (Diesel) (☞Figure 8-4).....	..	1
5	4023450	Steering Column (Gasoline and LPG) (☞Figure 8-3).....	1	..
6	2079369	Isolator	8
7	1606750	Spacer	4	4
8	1527886	Capscrew	2
8	1512403	Capscrew	2	..
9	320160	Washer	4

STEERING COLUMN ASSEMBLY (FIGURE 8-3) LPG

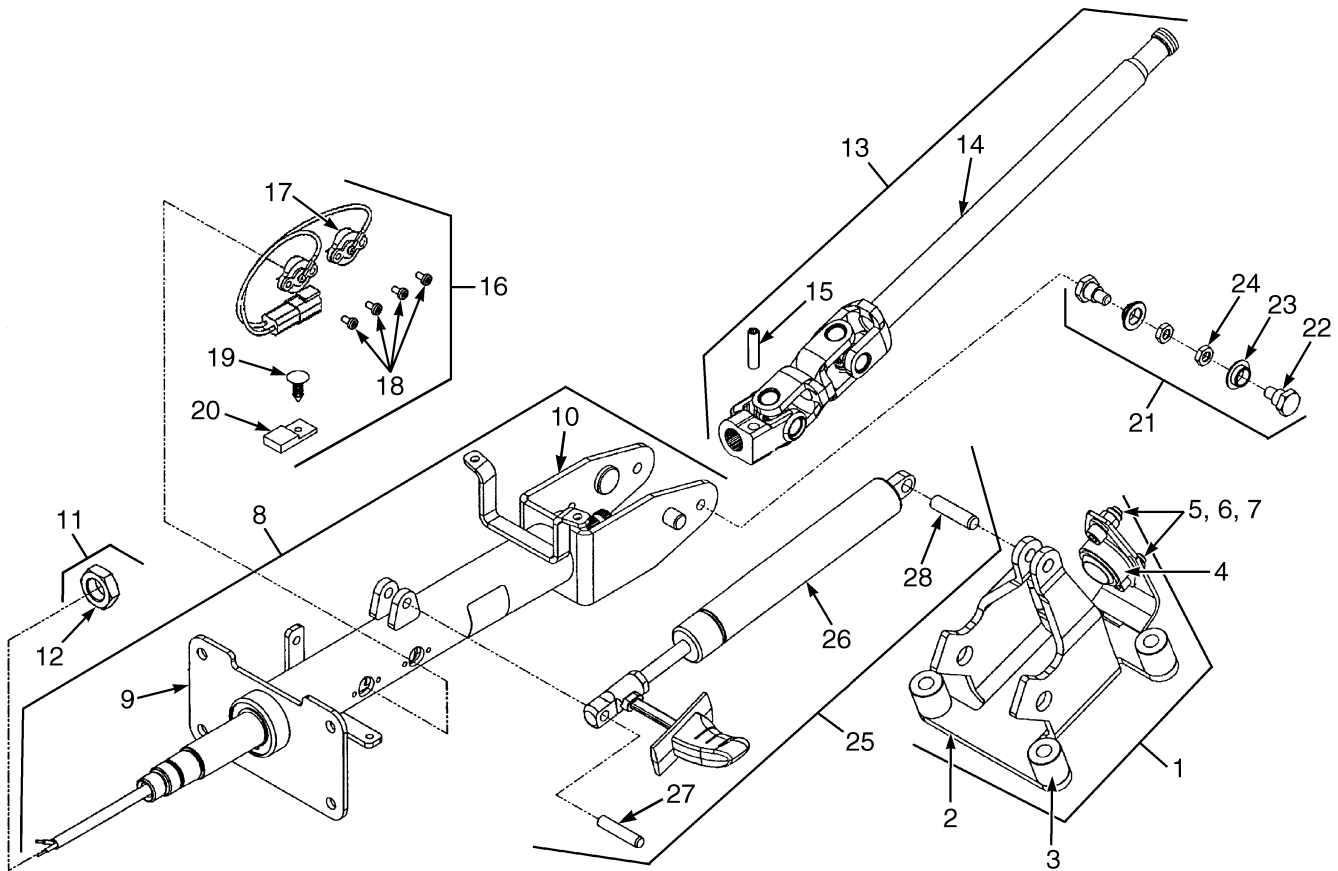


HP220445

**STEERING COLUMN ASSEMBLY
LPG**

ITEM	PART NO.	DESCRIPTION	QTY
	4023450	Steering Column	1
1	1562509	Kit-Support	1
2	Support	1
3	Spacer	4
4	Joint	1
5	Nut	2
6	Washer	2
7	Screw	2
8	4028642	Kit (Shaft Upper)	1
9	Shaft Assembly (Upper)	1
10	Housing Assembly	1
11	1562492	Kit-Nut	1
12	Nut	2
13	1562493	Kit-Shaft (Lower)	1
14	Shaft Assembly (Lower)	1
15	Pin	1
16	1562496	Kit-Contact	1
17	Contact Assembly (Horn)	1
18	Screw	4
19	Fastener	1
20	Connector	1
21	1562501	Kit-Pivot (Lower)	1
22	Bolt (Pivot)	2
23	Bushing	2
24	Nut	2
25	1562505	Kit-Gas Spring	1
26	Gas Spring	1
27	Pin	1
28	Pin	1

STEERING COLUMN ASSEMBLY (FIGURE 8-4) DIESEL

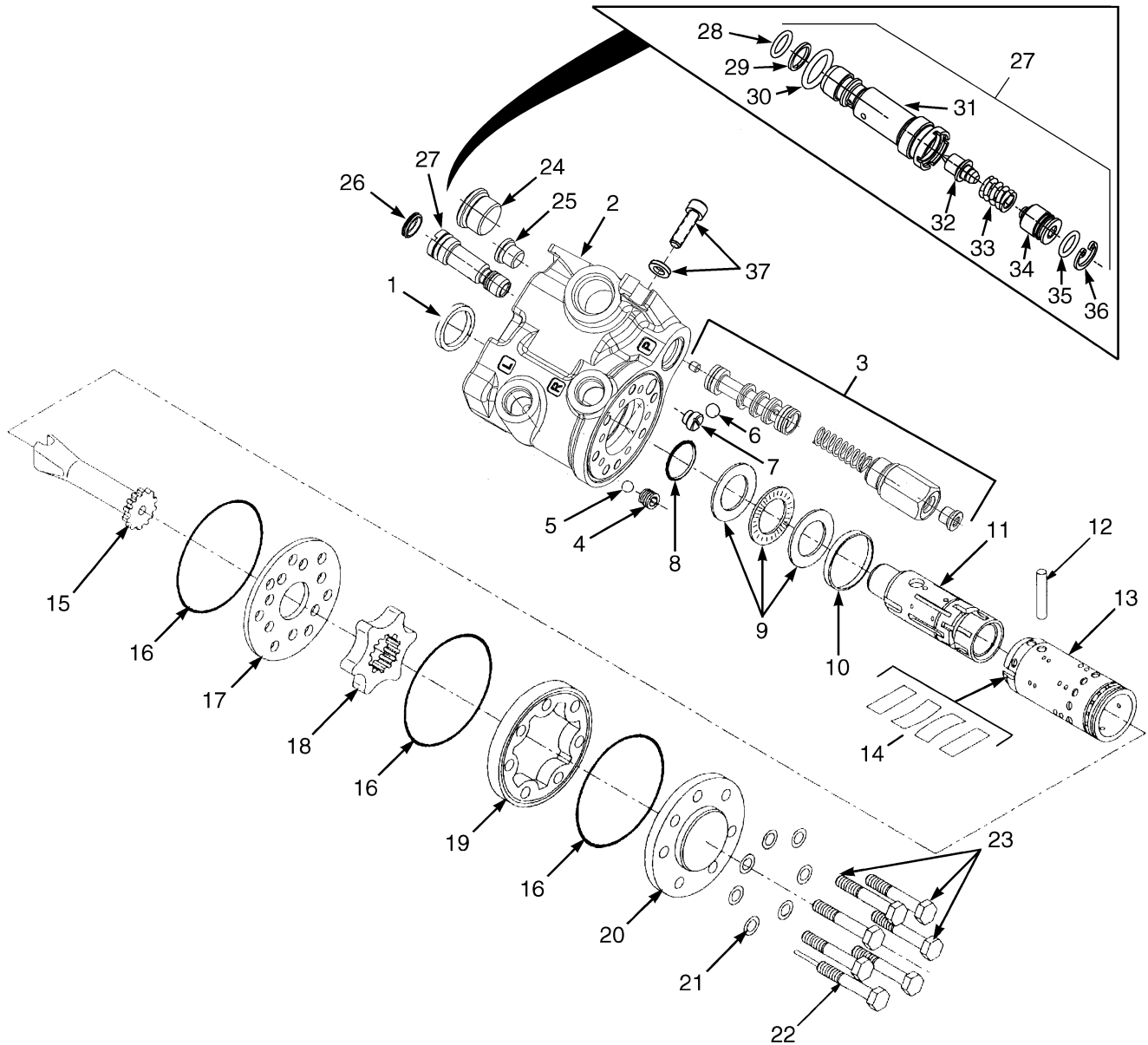


BP220224

**STEERING COLUMN ASSEMBLY
DIESEL**

ITEM	PART NO.	DESCRIPTION	QTY
	4611791	Steering Column	1
1	4038672	Kit-Support	1
2	Support	1
3	Spacer	4
4	Joint	1
5	Nut	2
6	Washer	2
7	Screw	2
8	4038673	Kit-Shaft (Upper)	1
9	Shaft Assembly (Upper)	1
10	Housing Assembly	1
11	4038674	Kit-Nut	1
12	Nut	2
13	4038675	Kit-Shaft (Lower)	1
14	Shaft Assembly (Lower)	1
15	Pin	1
16	4038676	Kit-Contact	1
17	Contact Assembly (Horn)	1
18	Screw	4
19	Fastener	1
20	Connector	1
21	4038677	Kit Pivot (Lower)	1
22	Bolt (Pivot)	2
23	Bushing	2
24	Nut	2
25	4038678	Kit-Gas Spring	1
26	Gas Spring	1
27	Pin	1
28	Pin	1

STEER CONTROL UNIT (FIGURE 8-5)

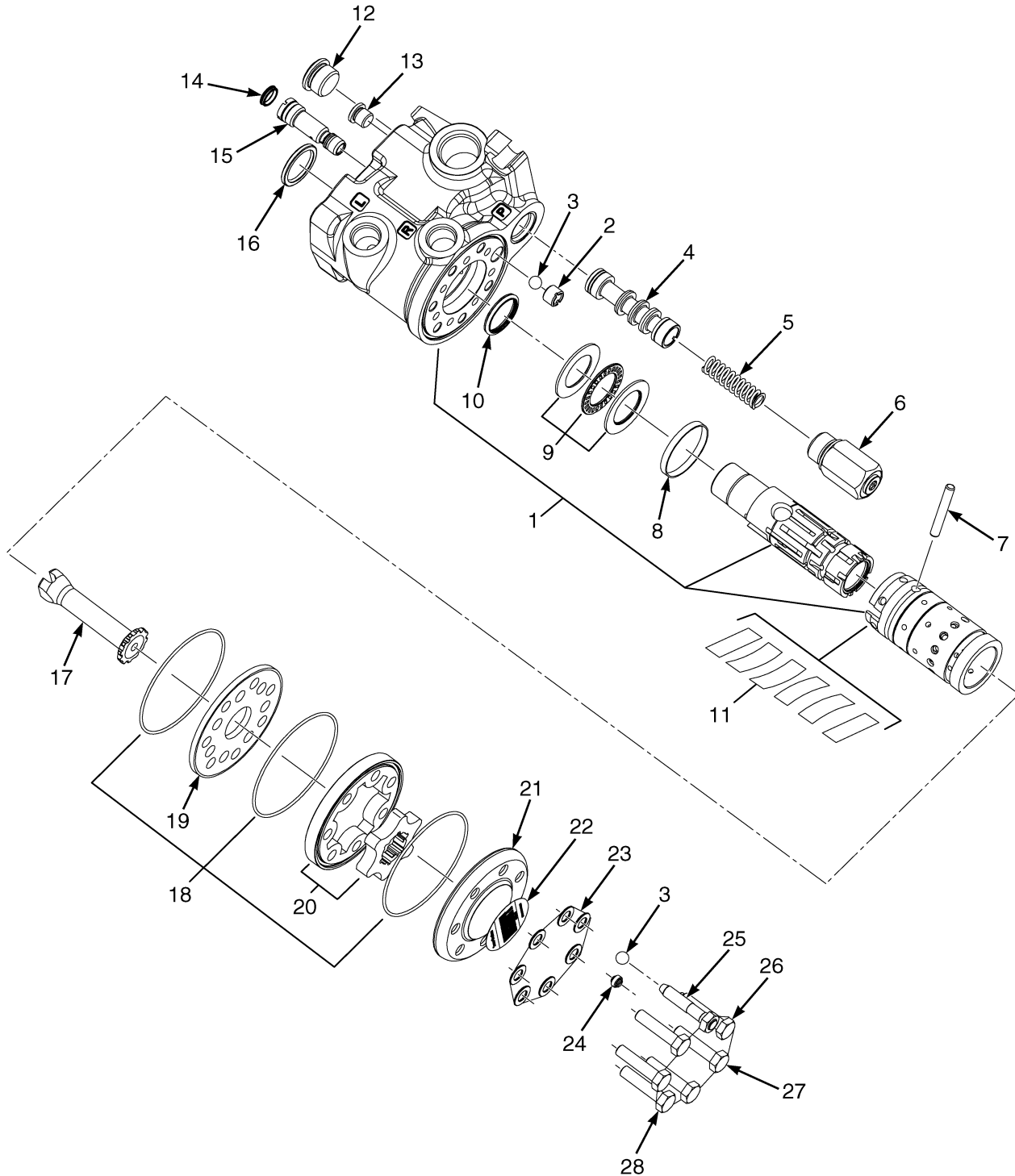


BP220056

STEER CONTROL UNIT

ITEM	PART NO.	DESCRIPTION	QTY
	2102566	Steering Control Unit	1
1	Dust Seal	1
2	Housing	1
3	Relief Valve	1
4	Bushing	1
5	Check Ball	1
6	Check Ball	1
7	Seat	1
8	O-Ring	1
9	Bearing Set	1
10	Ring	1
11	Spool	1
12	Pin	1
13	Sleeve	1
14	Spring Set	1
15	Shaft	1
16	O-Ring	3
17	Plate	1
18	Gear Set	1
19	Gear Ring	1
20	Cover	1
21	Washer	7
22	Special Screw	2
23	Capscrew	5
24	Priority Valve Plug	1
25	Diagnostic Plug (Supply Pressure)	1
26	Cap	1
27	System Relief Valve	1
28	O-Ring	1
29	Back-Up Ring	1
30	O-Ring	1
31	Cartridge	1
32	Seat	1
33	Spring	1
34	Plug	1
35	Anti-Tamper Ring	1
36	Snap Ring	1
37	1581858	Kit-Capscrew	1
	1579908	Kit-Seal (Steering Control Unit)	1

STEERING CONTROL UNIT (FIGURE 8-6) VARIABLE DISPLACEMENT

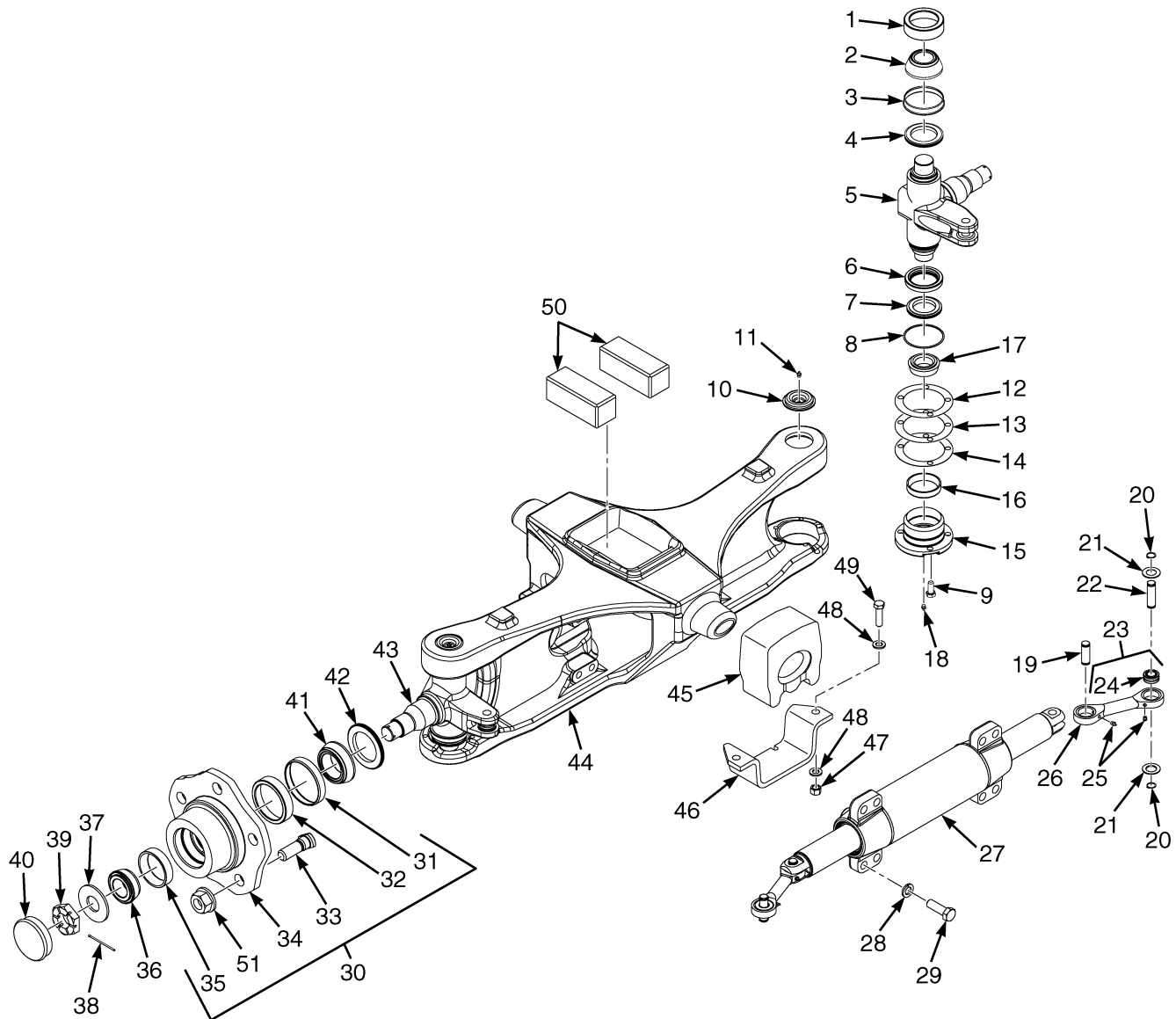


BP220325

**STEERING CONTROL UNIT
VARIABLE DISPLACEMENT**

ITEM	PART NO.	DESCRIPTION	QTY
	4608006	Steering Control Unit	1
1	Housing Spool and Sleeve	1
2	Bushing	1
3	Ball	2
4	Spool	1
5	Spring	1
6	Plug	1
7	Pin	1
8	Ring	1
9	Bearing Assembly	1
10	O-Ring	1
11	Set of Springs	1
12	Plug	1
13	Plug	1
14	Plug	1
15	Relief Valve	1
16	Dust Seal	1
17	Shaft	1
18	O-Ring	3
19	Distributor Plate	1
20	Gear Wheel Set	1
21	End Cover	1
22	Name Plate	1
23	Washer	7
24	Check Valve	1
25	Screw with Pin	1
26	Screw	1
27	Screw	1
28	Screw	4
	1579908	Kit-Seal (Steering Control Unit)	1

STEER AXLE (FIGURE 8-7)



BP220270

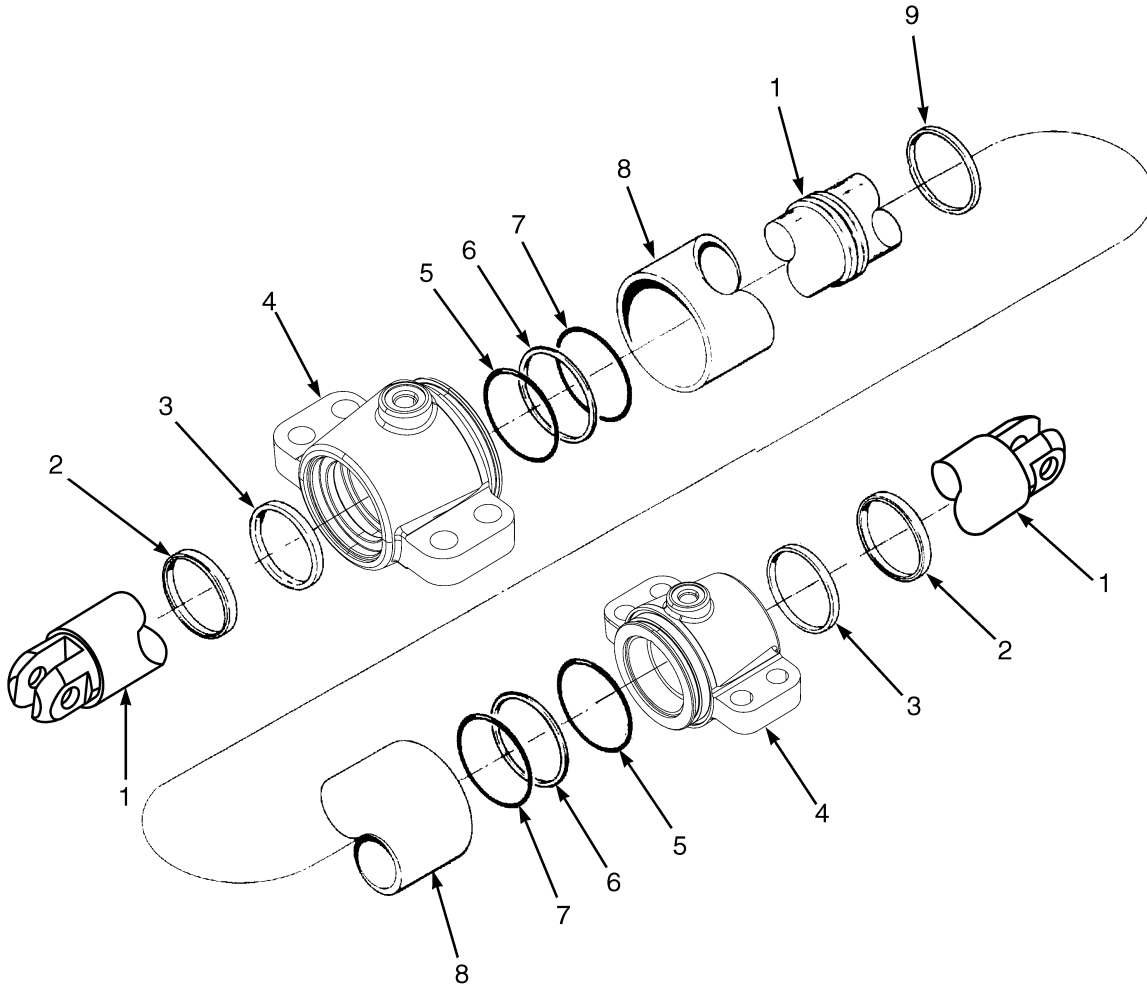
STEER AXLE

ITEM	PART NO.	DESCRIPTION	QTY
	1540851	Steer Axle Assembly	1
1	230421	Bearing Cup	2
2	153715	Bearing Cone	2
3	153717	Wear Sleeve	2
4	153716	Seal	2
5	1540854		
	4019946	Spindle (RH)	1
6	266733	Seal	2
7	266728	Seal	2
8	39678	O-Ring	2
9	293628	Capscrew	6
10	1388829	Dust Cap	2
11	13957	Grease Fitting	2
12	1388846	Shim (0.127 mm)	2
13	1388847	Shim (0.178 mm)	2
14	1388848	Shim (0.508 mm)	4
15	4009737	Bearing Cap	2
15	1394552	Bearing Cap	1
16	1374823	Bearing Set	1
16	135658	Bearing Cup	1
17	135657	Bearing Cone	2
18	13957	Grease Fitting	2
19	1568271	Pin	2
20	58903	Snap Ring	8
21	1345684	Seal	8
22	1568272	Pin	2
23	1568079	Tie Rod	2
24	1568039	Bushing	2
25	13957	Grease Fitting	2
26	Tie Rod	1
27	2085232	Steering Cylinder (☞ Figure 8-8).....	1
28	293686	Capscrew	8
29	292685	Lockwasher	8
30	1614849	Hub	2
31	164639	Wear Sleeve	1
32	30147	Bearing Cup	1
33	1393348	Wheel Stud	5
34	1614850	Wheel Hub	1
35	30019	Bearing Cup	1
36	30289	Bearing Cone	2
37	1388832	Lockwasher	2
38	15229	Cotter Pin	2
39	1383777	Nut	2
40	69029	Cap	2
41	230315	Bearing Cone	2
42	44542	Seal	2
43	1540856		
	4019947	Spindle (LH)	1
44	1540852	Steering Axle (Frame)	1
45	1525354	Rubber Mount	2
46	1543254	Plate	2

STEER AXLE

ITEM	PART NO.	DESCRIPTION	QTY
47	300937	Nut	4
48	320161	Washer	8
49	293648	Capscrew	4
50	352205	Rubber Mount	2
51	376026	Wheel Nut	10
	2064554	Loctite	AR

STEER CYLINDER (FIGURE 8-8)

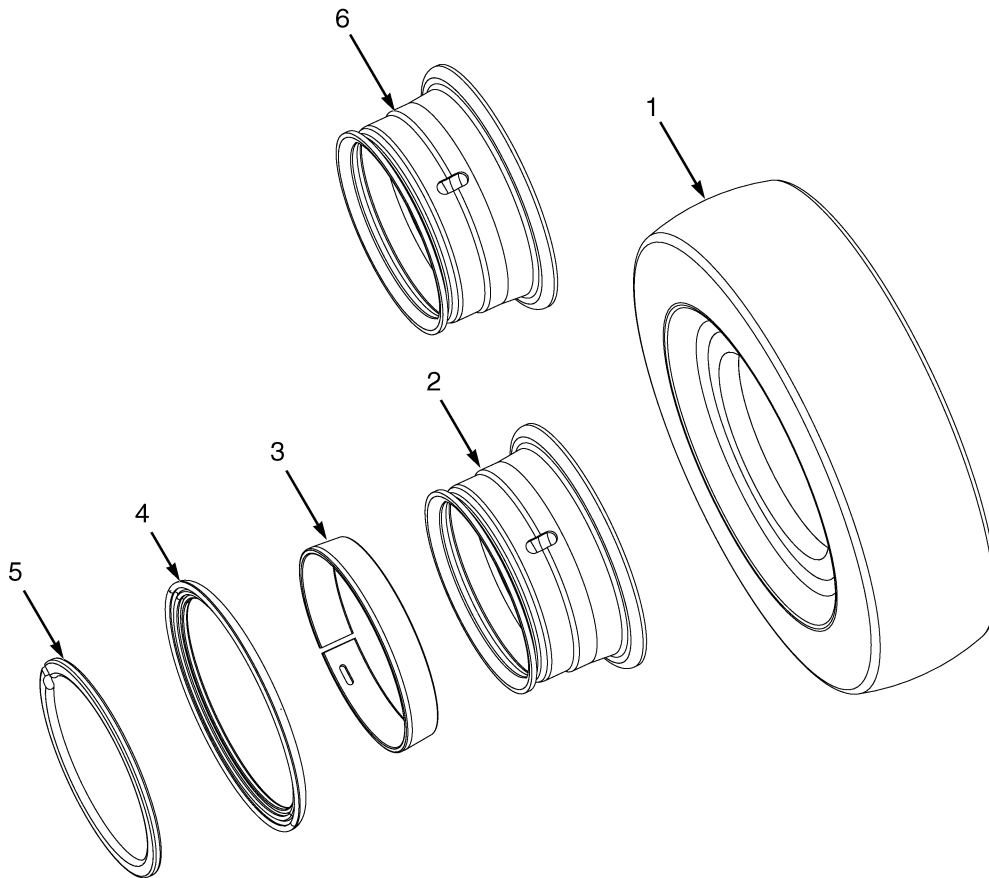


BP220087

STEER CYLINDER

ITEM	PART NO.	DESCRIPTION	QTY
	2085232	Steering Cylinder	1
1	1654465	Cylinder Rod	1
2	2071094	Rod Wiper	2
3	1380092	Rod Seal	2
4	1557651	End Cap	2
5	39713	O-Ring	2
6	270015	Back-Up Ring	2
7	79981	O-Ring	2
8	352199	Tube Wldmt-Cylinder	1
9	2047829	Seal	1
	1586427	Kit-Seal	1

STEER TIRE AND WHEEL (FIGURE 8-9)



HP070092

STEER TIRE AND WHEEL**KEY:****A:** 7.00 x 12, Single**B:** 7.00 x 12 Snap On Tire (H4.00-4.50FT5, H4.00-4.5FT6), Single**C:** 28 x 9 Snap On Tire (H4.50FT6-H5.50), Single**D:** 28x9-15 Solid Heavy Duty

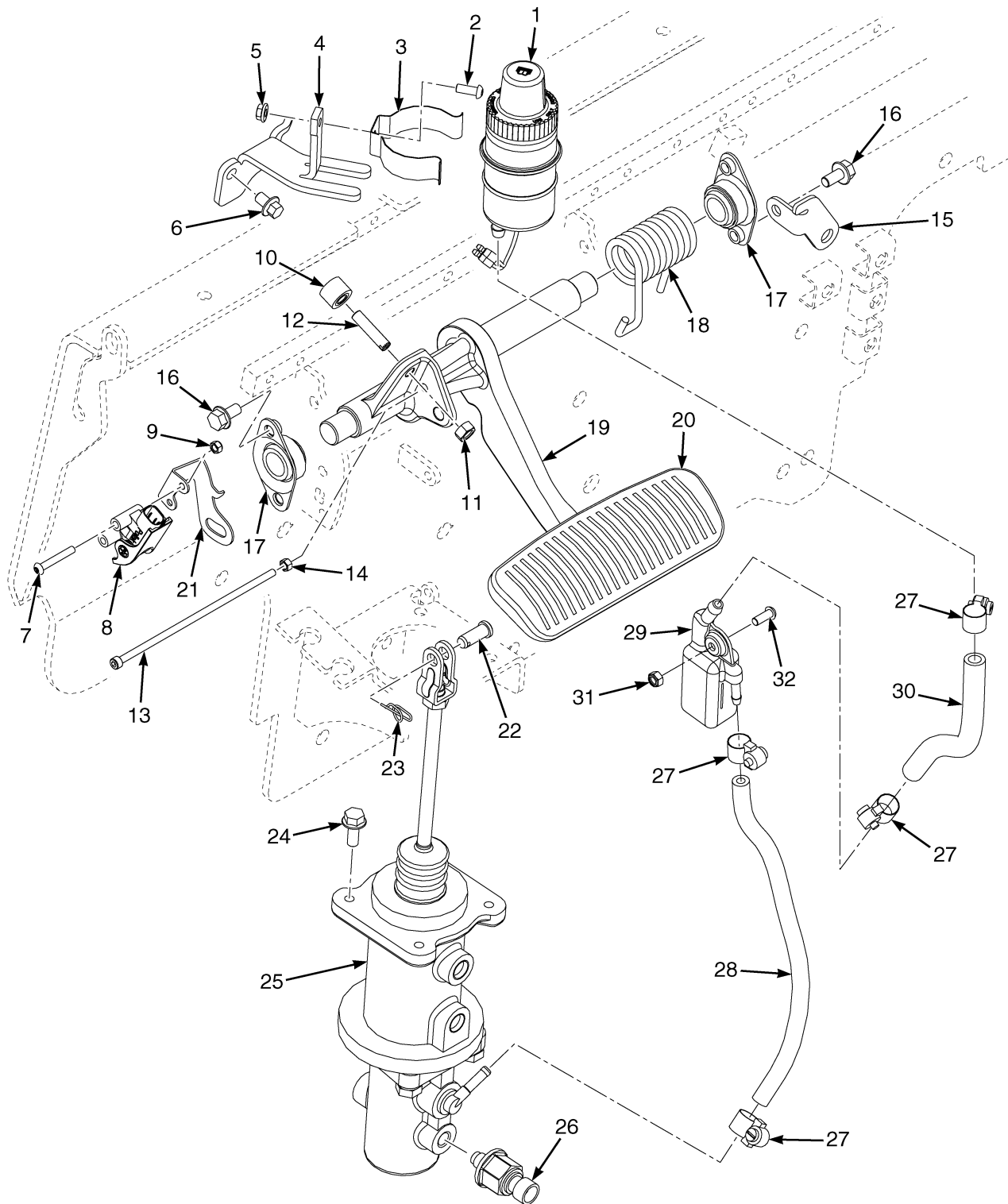
ITEM	PART NO.	DESCRIPTION	QTY			
			A	B	C	D
1	1644915	Pneumatic Tire (Trell)	2
1	1471829	Pneumatic Tire (Radial)	2
1	1358179	Pneumatic Tire	1
1	1471591	Tubeless Bead Seal	1
1	1471922	Tubeless Bead Seal Valve	1
1	a 1603487	Solid Pneumatic Tire (Non-Marking)	2
1	1603488	Solid Pneumatic Tire (Non-Marking)	2	..
1	b 1543063	Solid Pneumatic Tire	2
1	1543064	Solid Pneumatic Tire	2	..
1	2107158	Tire	2
2	2035044	Rim (5.00 x 12)	2
2	2104843	Wheel Assy	2
3	806556	Shoulder Ring	1
	c 1618586	Ring-Tapered Bead Seat	1
4	161890	Wheel Side Ring	1
4	160653	Wheel Side Ring	1
5	161889	Wheel Lock Ring	1
5	980542	Wheel Lock Ring	1
6	1394514	Wheel	2
6	2104448	Wheel Rim	2	..
7	d 1394500	Plate (Valve Stem) (Not Illustrated)	1

FOOTNOTES:**a** H4.00-4.50FT5**b** H4.00-4.50FT6**c** Not Illustrated**d** Used with Radial Tires

SECTION 9 BRAKE SYSTEM

DESCRIPTION	PAGE
BRAKE COOLING SYSTEM	
SINGLE AND DUAL PEDAL - DANA WET BRAKE	9-14
BRAKE LINKAGE	
DUAL PEDAL - WET BRAKE	9-8
DUAL PEDAL WET BRAKE - ALTERNATE OPTION	9-10
SINGLE PEDAL - WET BRAKE	9-2
SINGLE PEDAL WET BRAKE - ALTERNATE OPTION	9-4
BRAKE MASTER CYLINDER ASSEMBLY	9-18
PARK BRAKE ASSEMBLY	
MANUAL WITH ONE CABLE - NMHG	9-22
MANUAL WITH TWO CABLES - DANA	9-20
WET BRAKE BOOSTER SUPPLY AND RETURN	
NMHG	9-16

BRAKE LINKAGE (FIGURE 9-1) SINGLE PEDAL — WET BRAKE



BP040227

**BRAKE LINKAGE
SINGLE PEDAL – WET BRAKE**

ITEM	PART NO.	DESCRIPTION	QTY
1	1646439	Reservoir	1
1	2077604	Tank	1
1	1645381	Diaphragm	1
1	1646397	Cap	1
1	2314223	Reservoir	1
2	296159	Capscrew	1
3	2021353	Holder	1
4	1699992	Mount	1
5	1514429	Nut	2
6	4011940	Capscrew	1
7	1553897	Capscrew	2
8	1683486	Sensor (Brake Position)	1
9	302398	Locknut	2
10	1556475	Bumper	1
11	239503	Nut	1
12	1534871	Bolt	1
13	1704902	Capscrew	1
14	292668	Nut	2
15	4053949	Plate	1
16	4109993	Capscrew	4
17	1527879	Bushing	2
18	1585575	Spring (RH)	1
19	1707011	Brake Pedal (42.1 Pedal Radius) (DANA)	1
19	4060688	Brake Pedal (53.0 Pedal Radius) (NMHG)	1
20	1570298	Rubber Pad	1
21	1688503	Mount	1
22	1375391	Pin (Rod End)	1
23	1351689	Locking Cotter Pin	1
24	1527880	Capscrew	4
25	4050226	Master Cylinder (DANA) (☞ Figure 9-7).....	1
25	4065584	Master Cylinder (NMHG) (☞ Figure 9-7).....	1
26	1590033	Transducer (Brake Pressure)	1
27	166857	Clamp	4
27	168718	Clamp (Optional)	4
28	117989	Hose (DANA)	1
28	4050228	Hose (NMHG)	1
29	4050222	Tank	1
30	2092888	Hose	1
31	302399	Nut	1
32	296161	Capscrew	1
	a 2064554	Loctite	AR

FOOTNOTES:**a** Not Illustrated

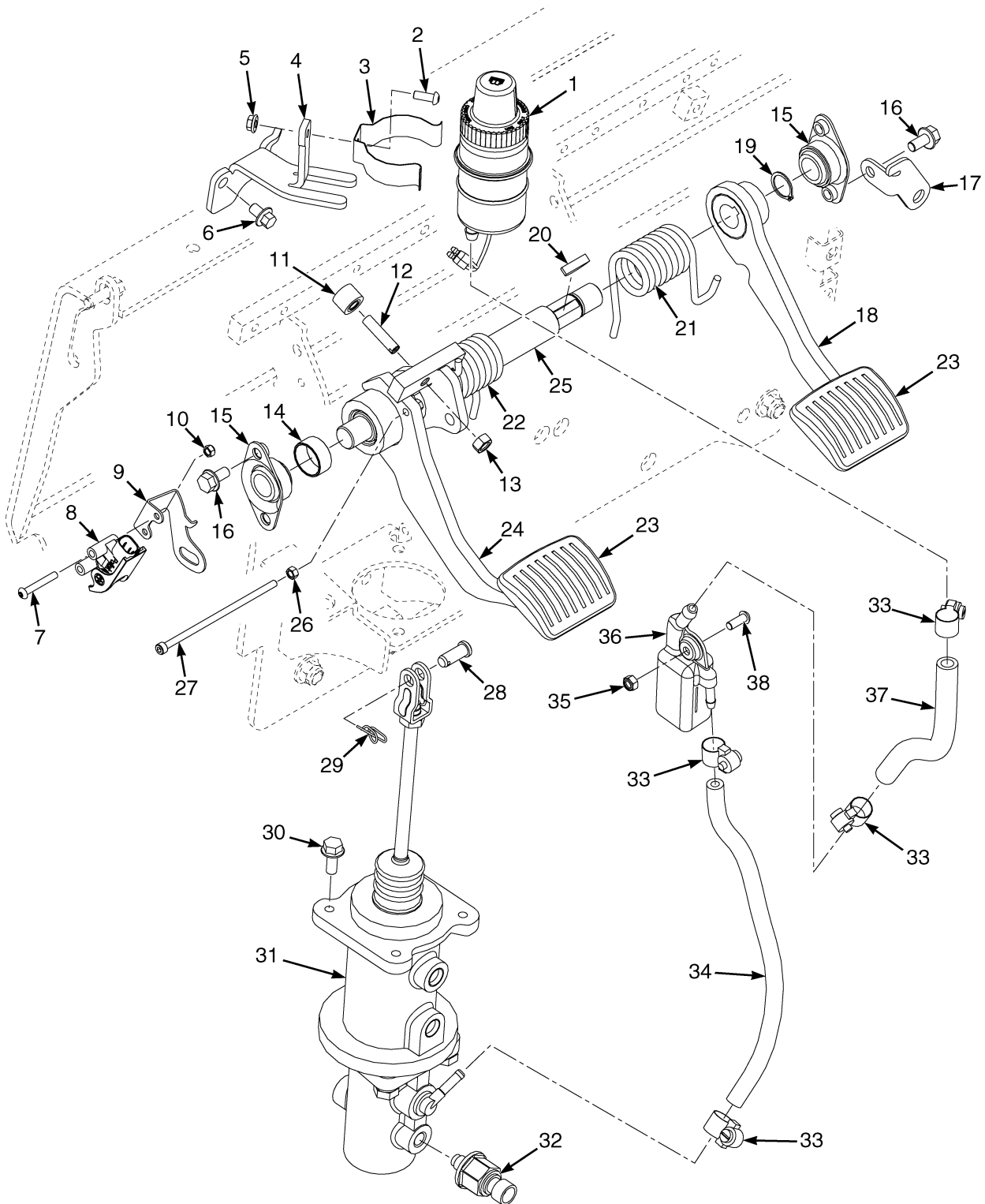
BRAKE LINKAGE
SINGLE PEDAL WET BRAKE – ALTERNATE OPTION

ITEM	PART NO.	DESCRIPTION	QTY
1	1646439	Reservoir	1
1	2077604	Tank	1
1	1645381	Diaphragm	1
1	1646397	Cap	1
1	2314223	Reservoir	1
2	296159	Capscrew	1
3	2021353	Holder	1
4	1699992	Mount	1
5	1514429	Nut	1
6	4011940	Capscrew	1
7	2092888	Hose	1
8	1375391	Pin (Rod End)	1
9	1351689	Locking Cotter Pin	1
10	1556475	Bumper	1
11	239503	Nut	1
12	1534871	Bolt	1
13	1704902	Capscrew	1
14	292668	Nut	2
15	4053949	Plate	1
16	4109993	Capscrew	4
17	1527879	Bushing	2
18	1585575	Spring (RH)	1
19	1568075	Spring (RH)	1
19	b 1707011	Brake Pedal	1
19	c 4060688	Brake Pedal	1
20	1570298	Rubber Pad	1
21	1688503	Mount	1
22	302398	Locknut	2
23	1553897	Capscrew	2
24	1683486	Sensor (Brake Position)	1
25	2092613	Cylinder Block	1
26	233683	Fitting	1
26	16487	O-Ring	1
27	222491	Fitting	1
27	16481	O-Ring	1
28	1527876	Capscrew	1
29	166857	Clamp	4
29	168718	Clamp (Optional)	4
30	222509	Fitting	1
30	16481	O-Ring	1
31	b 117989	Hose	1
31	c 4050228	Hose	1
32	1590033	Transducer (Brake Pressure)	1
33	c 4065584	Master Cylinder (41.28 mm Bore) (☞ Figure 9-7).....	1
33	b 4050226	Master Cylinder (38.1 mm Bore) (☞ Figure 9-7).....	1
34	1527880	Capscrew	4
	a 2064554	Loctite	AR

FOOTNOTES:

- a** Not Illustrated
- b** Used with Dana Drive Axle
- c** Used with NMHG Drive Axle

BRAKE LINKAGE (FIGURE 9-3) DUAL PEDAL — WET BRAKE

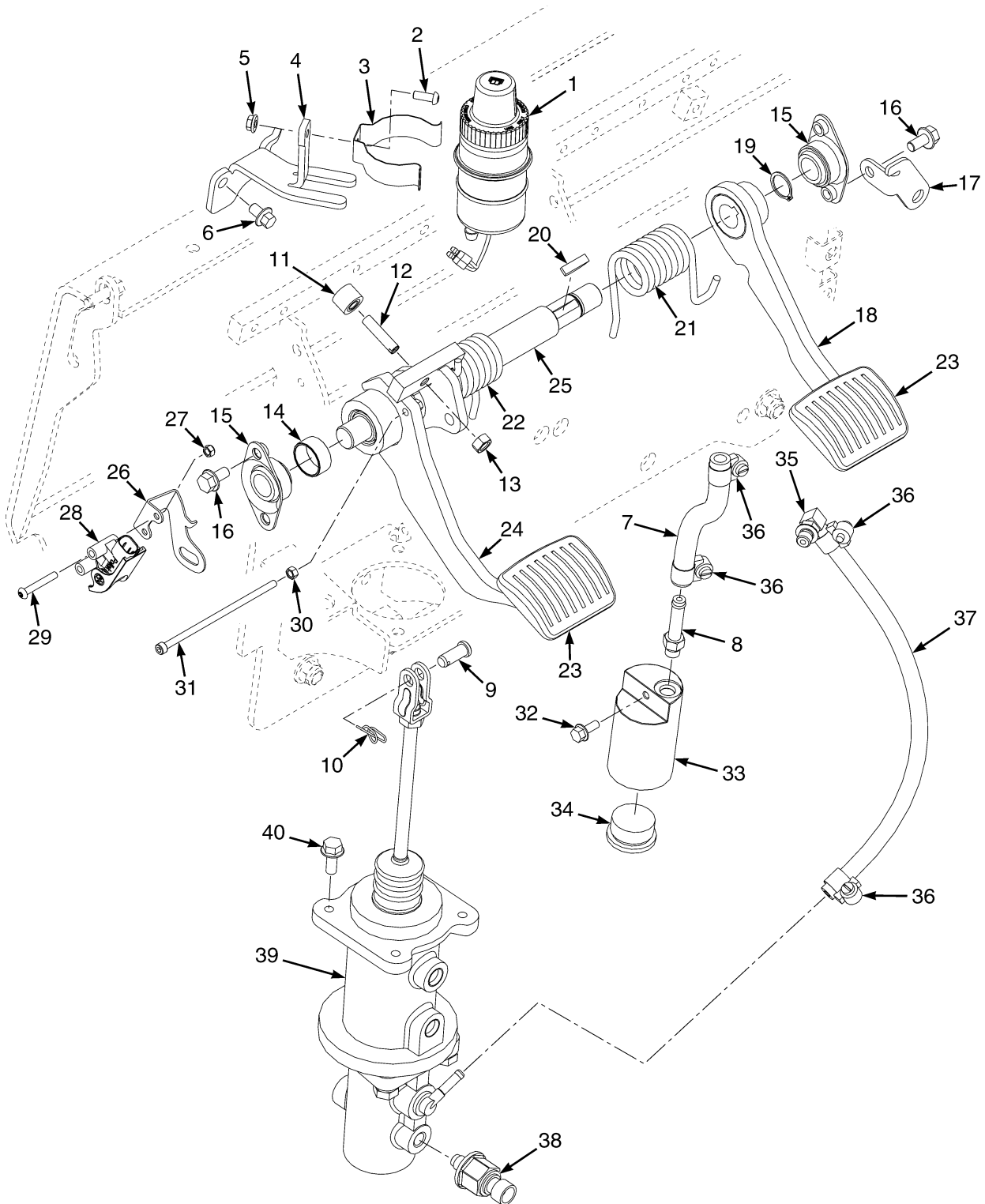


BP040228

**BRAKE LINKAGE
DUAL PEDAL – WET BRAKE**

ITEM	PART NO.	DESCRIPTION	QTY
1	1646439	Reservoir	1
1	2077604	Tank	1
1	2314223	Reservoir	1
1	1645381	Diaphragm	1
1	1646397	Cap	1
2	296159	Capscrew	1
3	2021353	Holder	1
4	1699992	Mount	1
5	1514429	Nut	2
6	4011940	Capscrew	1
7	1553897	Capscrew	2
8	1683486	Sensor (Brake Position)	1
9	1688503	Mount	1
10	302398	Locknut	2
11	1556475	Bumper	1
12	1534871	Bolt	1
13	239503	Nut	1
14	244540	Bushing	2
15	1585575	Bushing	2
16	4109993	Capscrew	4
17	1527879	Plate	1
18	4053949	Brake Pedal (RH)	1
19	1568256	Snap Ring	1
20	12929	Woodruff Key	1
21	206	Spring (RH)	1
22	1568076	Spring (LH)	1
23	1568077	Pad	2
24	1570300	Inching Pedal (Left Hand)	1
25	1701771	Crank (DANA)	1
25	1578922	Crank (NMHG)	1
26	4060774	Nut	2
27	292668	Capscrew	1
28	1704901	Pin (Rod End)	1
29	1375391	Locking Cotter Pin	1
30	1351689	Capscrew	4
31	1527880	Master Cylinder (DANA) (☞Figure 9-7).....	1
31	4050226	Master Cylinder (NMHG) (☞Figure 9-7).....	1
32	4065584	Transducer (Brake Pressure)	1
33	1590033	Clamp	4
33	166857	Clamp (Optional)	4
34	168718	Hose (DANA)	1
34	2092888	Hose (NMHG)	1
35	4050228	Nut	1
36	302399	Tank	1
37	4050222	Hose	1
38	117989	Capscrew	1
	296161	Loctite	AR
	2064554		

BRAKE LINKAGE (FIGURE 9-4) DUAL PEDAL WET BRAKE — ALTERNATE OPTION



BP040188

BRAKE LINKAGE
DUAL PEDAL WET BRAKE – ALTERNATE OPTION

ITEM	PART NO.	DESCRIPTION	QTY
1	1646439	Reservoir	1
1	2077604	Tank	1
1	2314223	Reservoir	1
1	1645381	Diaphragm	1
1	1646397	Cap	1
2	296159	Capscrew	1
3	2021353	Holder	1
4	1699992	Mount	1
5	1514429	Nut	1
6	4011940	Capscrew	1
7	2092888	Hose	1
8	222491	Fitting	1
8	16481	O-Ring	1
9	1375391	Pin (Rod End)	1
10	1351689	Locking Cotter Pin	1
11	1556475	Bumper	1
12	1534871	Bolt	1
13	239503	Nut	1
14	244540	Bushing	2
15	1585575	Bushing	2
16	4109993		
	1527879	Capscrew	4
17	4053949	Plate	1
18	1568256	Brake Pedal (RH)	1
19	12929	Snap Ring	1
20	206	Woodruff Key	2
21	1568076	Spring (RH)	1
22	1568077	Spring (LH)	1
23	1570300	Pad	2
24	1701771	Inching Pedal (Left Hand)	1
25	a 1578922	Crank	1
25	b 4060774	Crank	1
26	1688503	Mount	1
27	302398	Locknut	2
28	1683486	Sensor (Brake Position)	1
29	1553897	Capscrew	2
30	292668	Nut	2
31	1704901	Capscrew	1
32	1527876	Capscrew	1
33	2092613	Cylinder Block	1
34	233683	Fitting	1
34	16487	O-Ring	1
35	222509	Fitting	1
35	16481	O-Ring	1
36	166857	Clamp	4
36	168718	Clamp (Optional)	4
37	a 117989	Hose	1
37	b 4050228	Hose	1
38	1590033	Transducer (Brake Pressure)	1
39	b 4065584	Master Cylinder (41.28 mm Bore) (☞ Figure 9-7).....	1

BRAKE LINKAGE DUAL PEDAL WET BRAKE – ALTERNATE OPTION

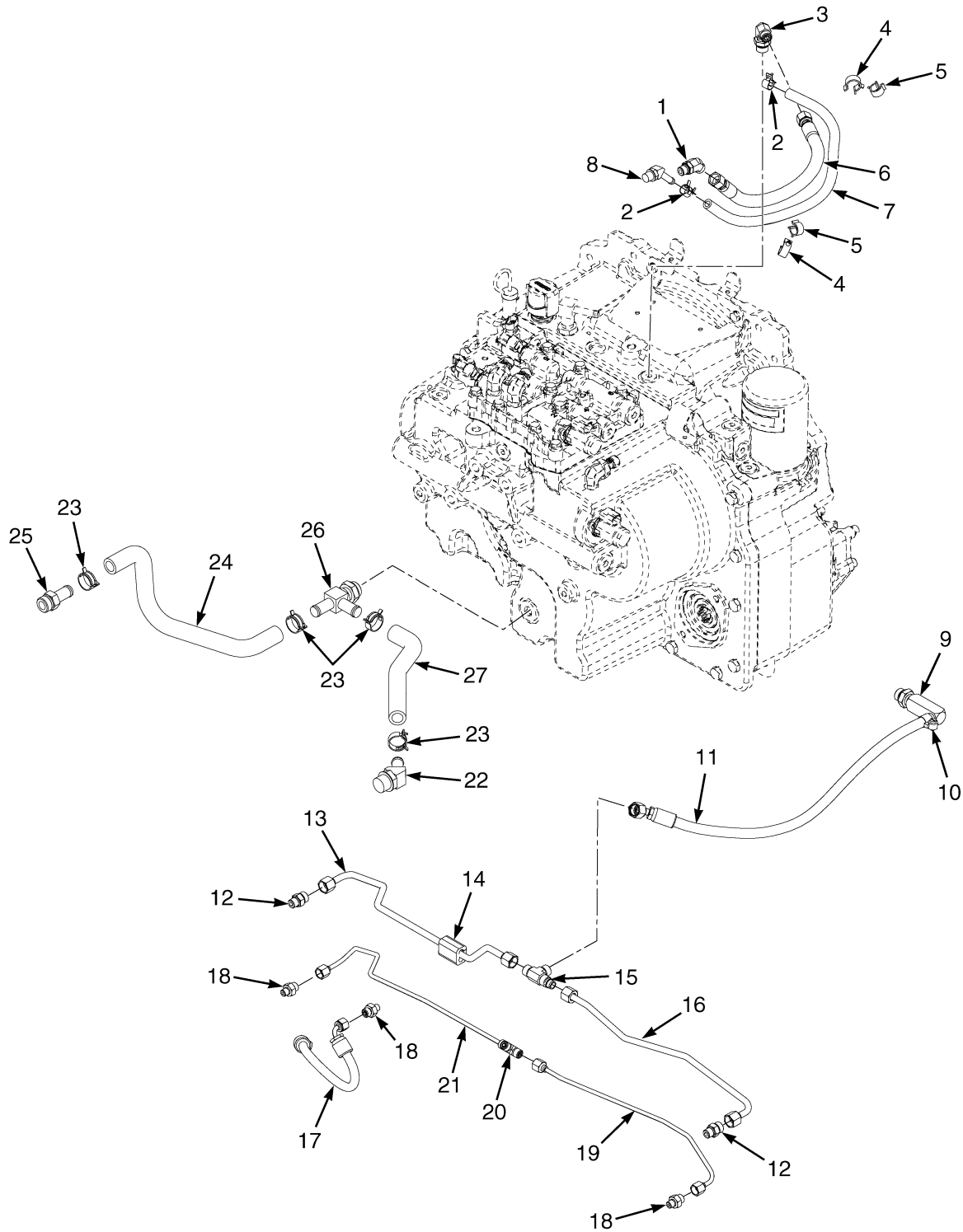
ITEM	PART NO.	DESCRIPTION	QTY
39	a 4050226	Master Cylinder (38.1mm Bore) (☞ Figure 9-7).....	1
40	1527880	Capscrew	4
	2064554	Loctite	AR

FOOTNOTES:

a Used with Dana Drive Axle

b Used with NMHG Drive Axle

BRAKE COOLING SYSTEM (FIGURE 9-5) SINGLE AND DUAL PEDAL — DANA WET BRAKE

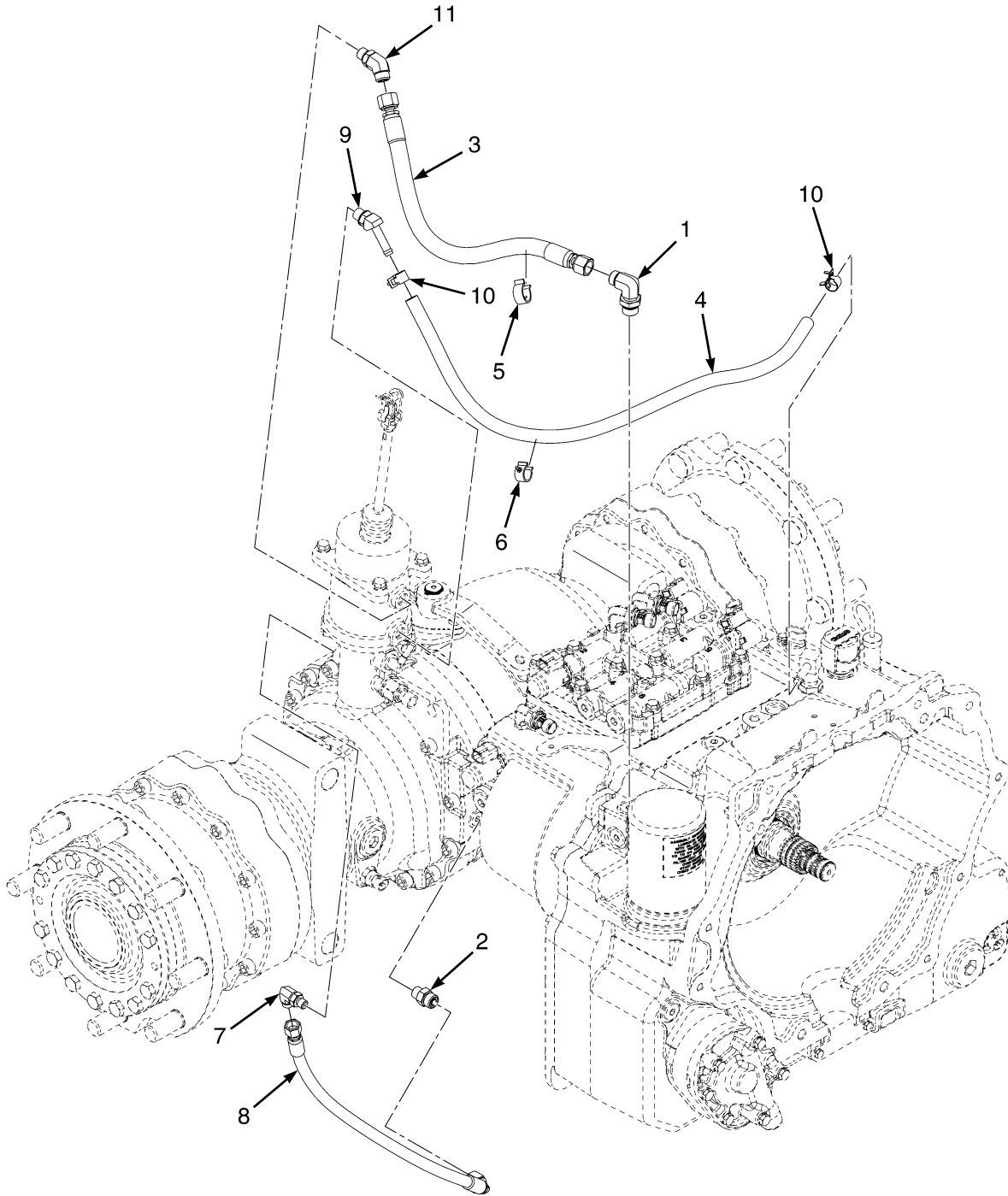


BP040191

**BRAKE COOLING SYSTEM
SINGLE AND DUAL PEDAL – DANA WET BRAKE**

ITEM	PART NO.	DESCRIPTION	QTY
1	1516199	Fitting	1
2	1569616	Hose Clamp	2
3	1487061	Fitting	1
4	1502053	Clamp (Swivel)	2
5	1543698	Clamp (Swivel)	2
6	2091015	Hose Assy	1
7	112385	Hose	1
8	222501	Fitting	1
8	16483	O-Ring	1
9	4037343	Fitting	1
10	166857	Clamp	1
11	4614775	Hose Assy	1
12	1486740	Fitting	2
12	265787	O-Ring	1
13	2090894	Tube (Cooling Inlet)	1
14	2091513	Block	1
15	1522425	Fitting	1
16	2090895	Tube (Cooling Inlet)	1
17	2073768	Hose Assy (Brake Actuation)	1
18	1486737	Fitting	3
19	2091149	Tube (Brake Tube LH)	1
20	1522424	Fitting	1
21	2091515	Tube (Brake Tube RH)	1
22	222505	Fitting	1
22	1450764		
	16486	O-Ring	1
23	1502009	Hose Clamp	4
24	2090185	Hose	1
25	17758	Fitting	1
25	1450764		
	16486	O-Ring	1
26	1637397	Fitting	1
27	4612564	Hose (From Drive Axle to Pump) (Axle Return)	1

WET BRAKE BOOSTER SUPPLY AND RETURN (FIGURE 9-6) NMHG

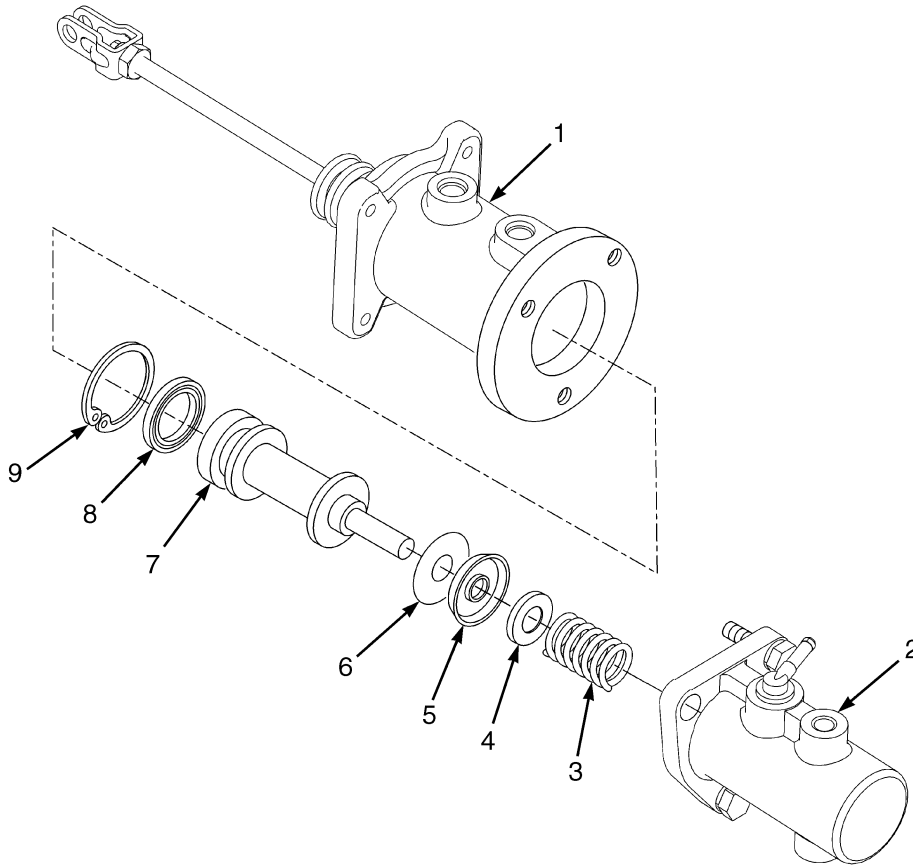


BP040212

**WET BRAKE BOOSTER SUPPLY AND RETURN
NMHG**

ITEM	PART NO.	DESCRIPTION	QTY
1	1487061	Fitting	1
2	1486740	Fitting	1
3	2091015	Hose Assy	1
4	112385	Hose	1
5	1502053	Clamp (Swivel)	1
6	1543698	Clamp (Swivel)	1
7	1487058	Fitting	1
8	4619601	Hose Assy	1
9	222501	Fitting	1
10	1569616	Hose Clamp	2
11	1516199	Fitting	1

BRAKE MASTER CYLINDER ASSEMBLY (FIGURE 9-7)



BP040065

KEY:

A: 41.28 Bore (NMHG)

B: 38.10 Bore (DANA)

ITEM	PART NO.	DESCRIPTION	QTY	
			A	B
	4065584	Master Cylinder (NMHG)	1	..
	4050226	Master Cylinder (DANA)	1
1	4094087	Brake Booster (NMHG)	1	..
1	1670332	Brake Booster (DANA)	1
1	1692229	Kit-Repair Brake Booster (DANA)	1
2	1672004	Master Cylinder (NMHG)	1	..
2	1670334	Master Cylinder (DANA)	1
2	4064894	Kit-Repair Minor-Master Cyl (DANA)	1
2	Housing	1	1
3	Spring	1	1
4	Retainer	1	1
5	Seal (Pressure)	1	1
6	Washer	1	1
7	Piston	1	1
8	Seal (Retaining)	1	1
9	Snap Ring	1	1
	1672005			
	4081465	Kit-Repair Master Cylinder (Major) (NMHG)	1	1
	1620023	Kit-Repair Major-Master Cyl (DANA)	1

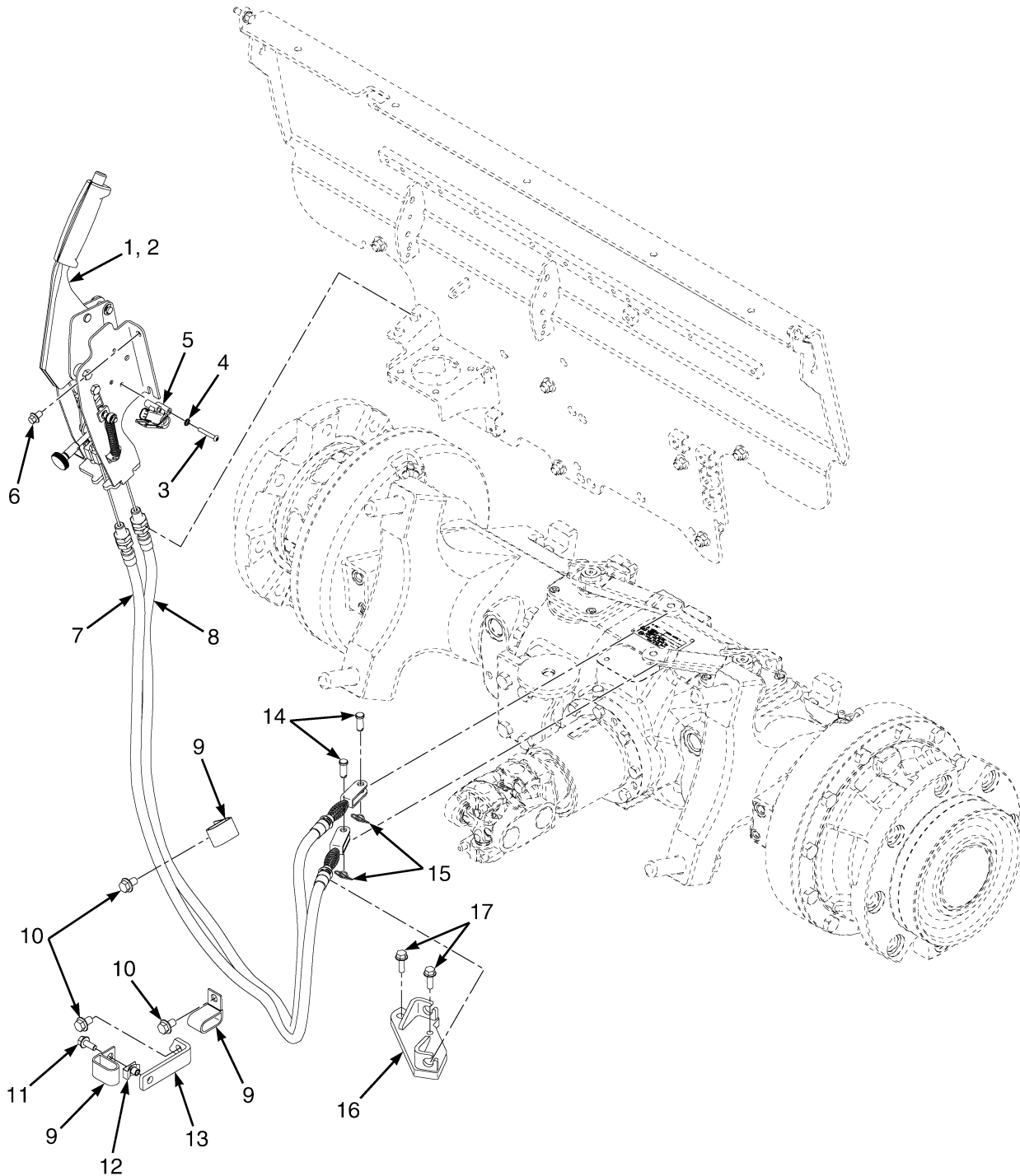
KEY:

A: 41.28 Bore (NMHG)

B: 38.10 Bore (DANA)

ITEM	PART NO.	DESCRIPTION	QTY	
			A	B
	1620024	Kit-Repair Minor-Master Cyl (DANA)	1

PARK BRAKE ASSEMBLY (FIGURE 9-8) MANUAL WITH TWO CABLES — DANA

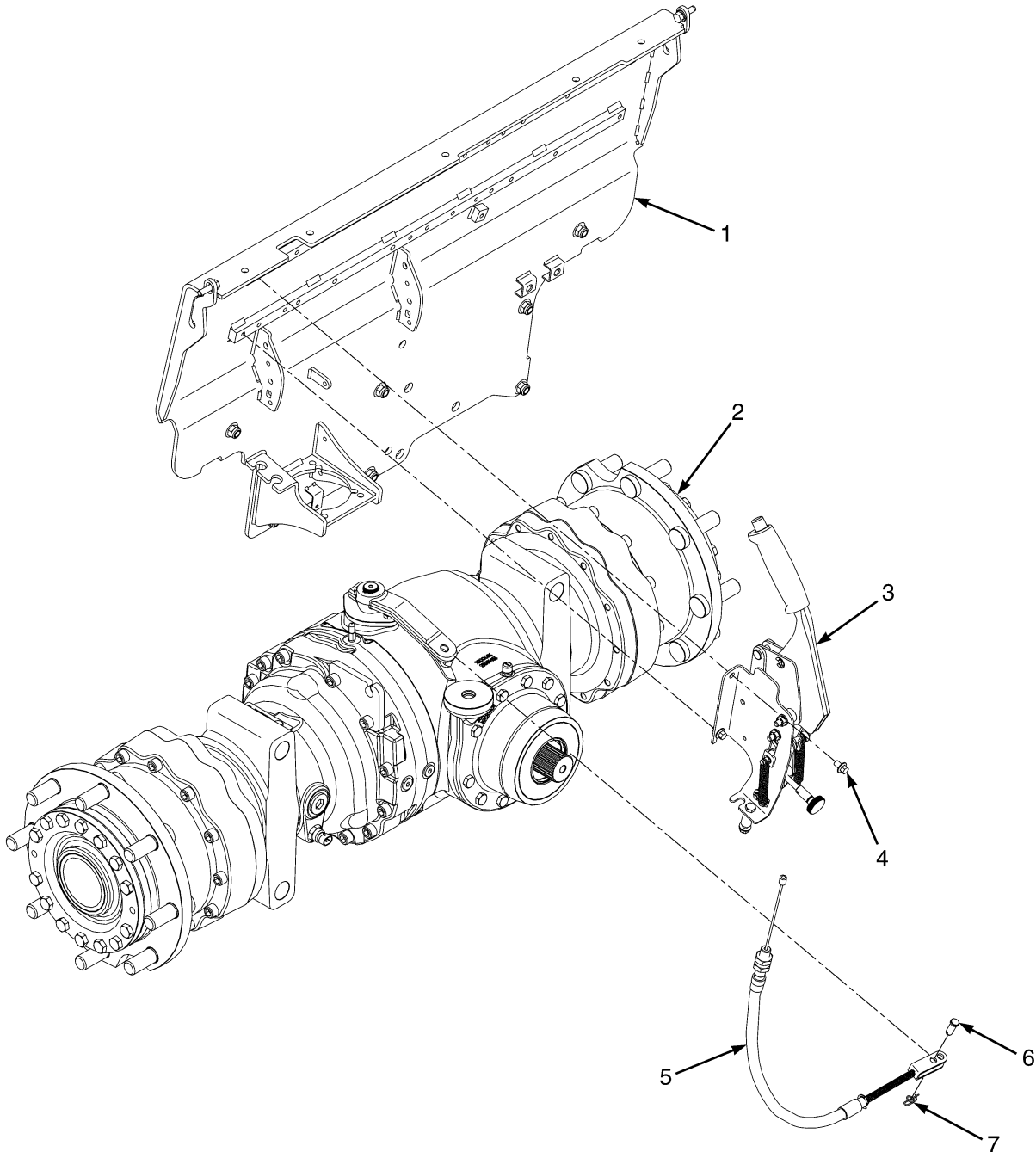


BP040190

**PARK BRAKE ASSEMBLY
MANUAL WITH TWO CABLES – DANA**

ITEM	PART NO.	DESCRIPTION	QTY
1	4039377	Parking Brake (Without Cab)	1
1	4039378	Parking Brake (With Cab)	1
2	4039370	Parking Brake Lever (Without Cab)	1
2	4039371	Parking Brake Lever (With Cab)	1
3	1701768	Screw	2
4	296378	Washer	2
5	1683486	Sensor (Brake Position)	1
6	4011940	Capscrew	4
7	2092506	Parking Brake Cable (RH)	1
8	2092505	Parking Brake Cable (LH)	1
9	1326653	Clamp	3
10	1528778	Capscrew	3
11	1527880	Capscrew	1
12	1398062	Nut (Fold Over)	1
13	1637399	Bracket	1
14	1375391	Pin (Rod End)	2
15	1351689	Locking Cotter Pin	2
16	1626353	Bracket	1
17	1510113	Capscrew	2

PARK BRAKE ASSEMBLY (FIGURE 9-9) MANUAL WITH ONE CABLE — NMHG



BP040211

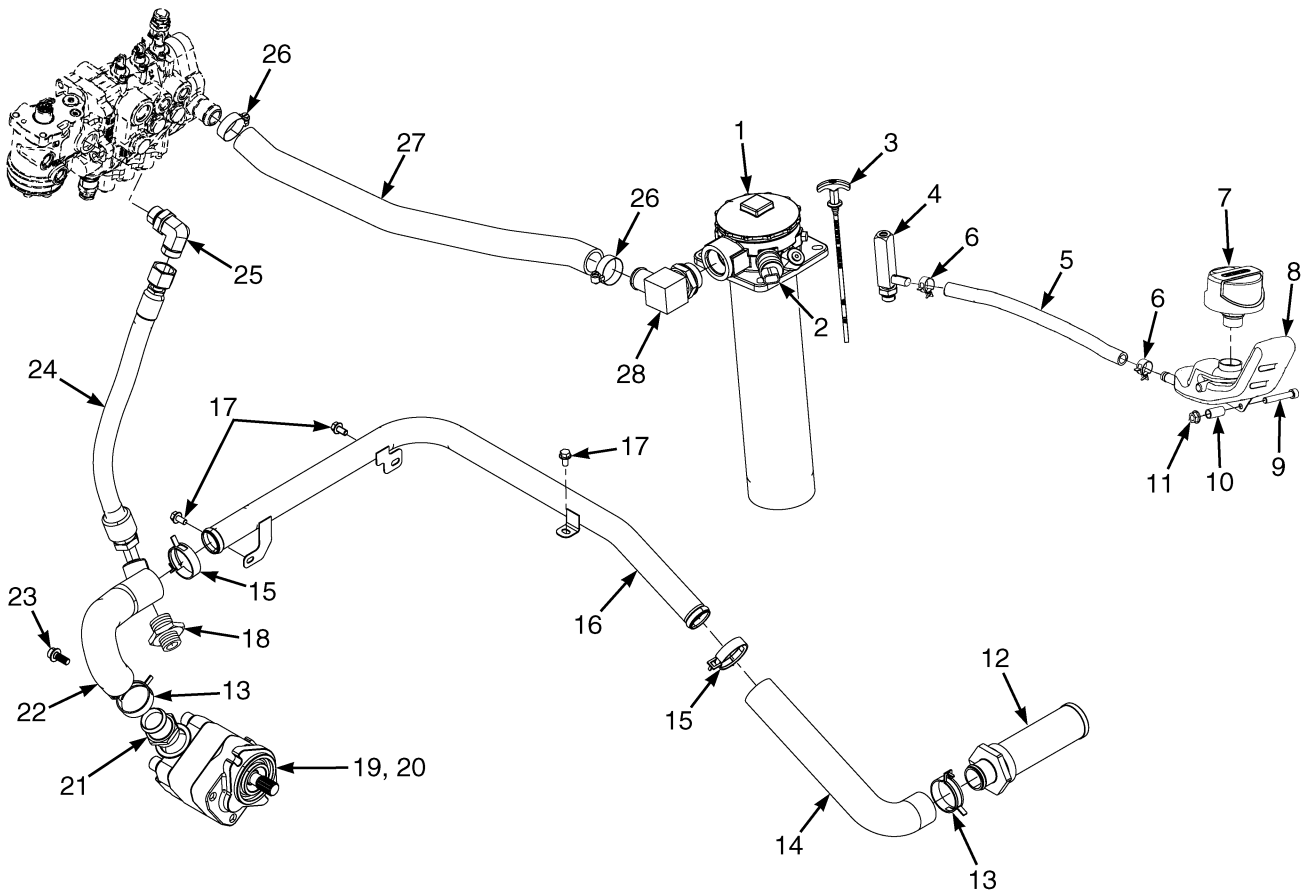
**PARK BRAKE ASSEMBLY
MANUAL WITH ONE CABLE – NMHG**

ITEM	PART NO.	DESCRIPTION	QTY
1	Cowl	1
2	Drive Axle (☞Figure 7-5, ☞Figure 7-6, ☞Figure 7-7).....	1
3	4039375	Parking Brake Assembly (Without Cab)	1
3	4039376	Parking Brake Assembly (With Cab)	1
3	4039368	Parking Brake Lever (Without Cab)	1
3	4039369	Parking Brake Lever (With Cab)	1
3	1683486	Sensor (Brake Position)	1
3	296378	Washer	2
3	1701768	Screw	2
4	4011940	Capscrew	4
5	4627806	Parking Brake Cable	1
6	1375391	Pin (Rod End)	1
7	1351689	Locking Cotter Pin	1

SECTION 10 HYDRAULIC SYSTEM

DESCRIPTION	PAGE
ANTI-STALL	
WITH MANUAL HYDRAULIC VALVE - GAS, LPG AND 3.6L DIESEL (4/2014 →)	10-22
AUXILIARY HOSES	10-54
CONTROL VALVE ASSEMBLY	
ELECTRONIC CONTROL - THREE AND FOUR FUNCTION-WITH VARIABLE DISPLACEMENT PUMP	10-40
MANUAL CONTROL VALVE - THREE AND FOUR FUNCTION (→ 4/2014)	10-24
CONTROL VALVE LOCKOUT GROUP	
MANUAL CONTROL VALVE	10-20
ELECTRONIC CONTROL VALVE	
AUXILIARY ONE SECTION - THREE AND FOUR FUNCTION	10-48
AUXILIARY TWO SECTION - FOUR FUNCTION	10-50
LIFT SECTION - WITH VARIABLE DISPLACEMENT PUMP	10-44
OUTLET SECTION - THREE AND FOUR FUNCTION	10-52
TILT SECTION - THREE AND FOUR FUNCTION	10-46
TRANSITION SECTION - WITH VARIABLE DISPLACEMENT PUMP	10-42
GEAR PUMP	10-4
HAND LEVERS	
FOUR FUNCTION - WITH DETENTED LEVERS	10-16
FOUR FUNCTION - WITHOUT DETENTED LEVERS	10-18
THREE FUNCTION - WITH DETENTED LEVERS	10-12
THREE FUNCTION - WITHOUT DETENTED LEVERS	10-14
HYDRAULIC CONTROL VALVE (MANUAL)	
AUXILIARY ONE AND TWO SECTION - THREE AND FOUR FUNCTION (4/2014 →)	10-36
LIFT AND TILT - THREE AND FOUR FUNCTION (4/2014 →)	10-34
OUTLET SECTION - THREE AND FOUR FUNCTION (4/2014 →)	10-38
THREE AND FOUR FUNCTION (4/2014 →)	10-32
HYDRAULIC FILTER	10-8
HYDRAULIC SUPPLY AND RETURN	10-2
WITH VARIABLE DISPLACEMENT PUMP	10-6
MANUAL CONTROL VALVE	
AUXILIARY ONE AND TWO - THREE AND FOUR FUNCTION (→ 4/2014)	10-28
LIFT AND TILT - THREE AND FOUR FUNCTION (→ 4/2014)	10-26
OUTLET SECTION - THREE AND FOUR FUNCTION (→ 4/2014)	10-30
TILT HOSES	10-56
TILT CYLINDER AND MAST INSTALLATION	10-58
TILT CYLINDERS	10-60
VARIABLE DISPLACEMENT PUMP	
ASSEMBLY	10-11
VARIABLE DISPLACEMENT PUMP AND ADAPTOR	10-10
VENT LINE GROUP	
WITH STANDARD CONTROL VALVE	10-62
WITH VARIABLE DISPLACEMENT CONTROL VALVE	10-64

HYDRAULIC SUPPLY AND RETURN (FIGURE 10-1)



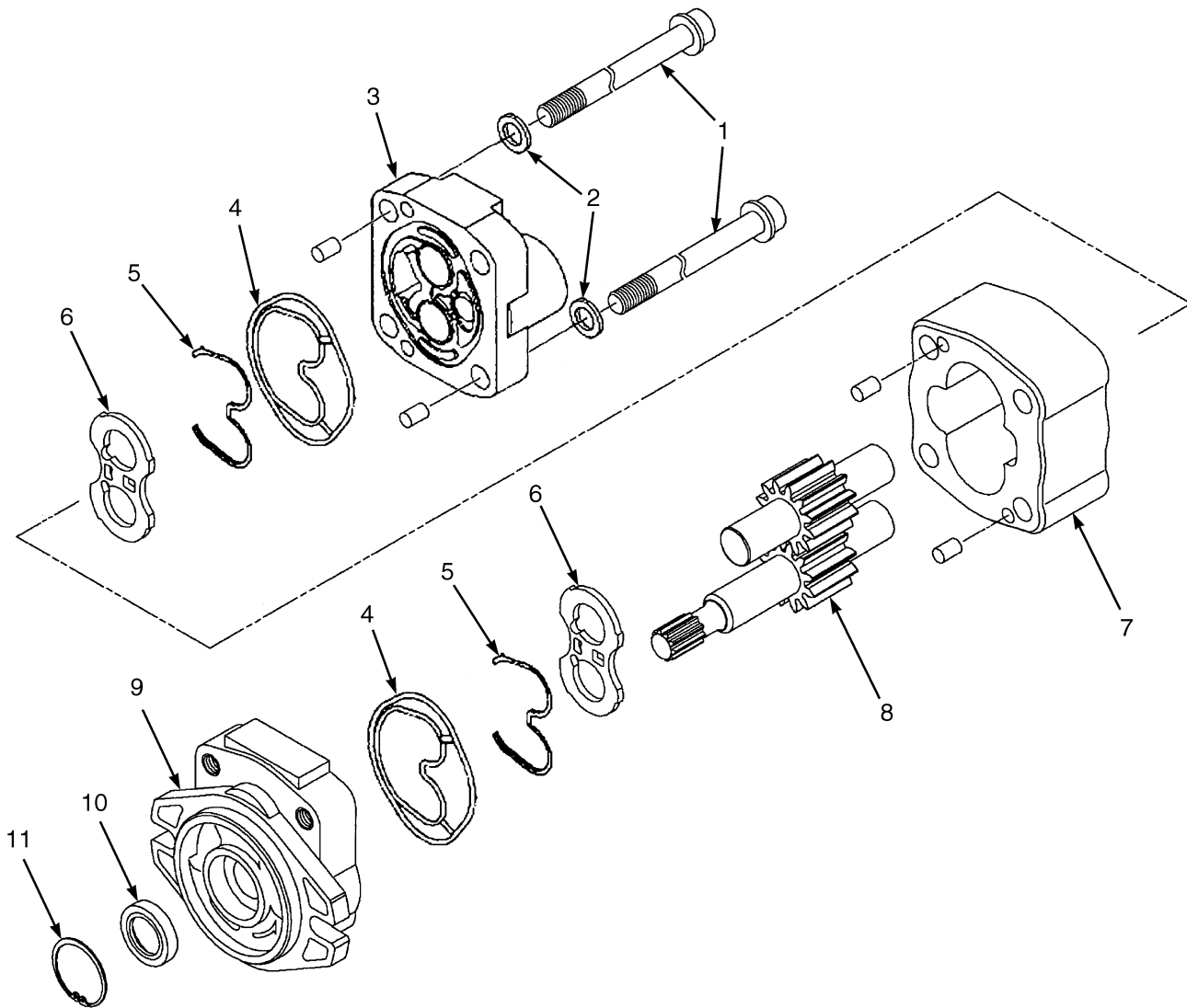
BP150499

HYDRAULIC SUPPLY AND RETURN

ITEM	PART NO.	DESCRIPTION	QTY
1	4001029	Hydraulic Filter (☞Figure 10-4).....	1
2	2068337	Pressure Switch (With Electronic Monitoring Package)	1
3	2083335	Dipstick	1
4	1570264	Fitting	1
4	16484	O-Ring	1
5	4627552	Hose	1
5	78456	Hose (Optional)	1
6	1502007	Hose Clamp	2
7	1582161	Breather	1
7	1450764		
	16486	O-Ring	1
8	2081865	Surge Tank	1
9	296016	Capscrew	2
10	1617083	Spacer	1
11	1502543	Nut (Flange)	6
12	1617585	Strainer	1
12	18909	O-Ring	1
13	1527983	Hose Clamp	4
14	2079736	Hose (Tank Suction)	1
15	119236	Clamp	2
16	2098326	Tube	1
17	4109993		
	1527879	Capscrew	3
18	1473888	Fitting	1
18	280154	O-Ring	1
19	b 4602289		
	4633617	Gear Pump (41.3 cc) (☞Figure 10-2).....	1
19	ac 4602290		
	4633618	Gear Pump (46.5 cc) (☞Figure 10-2).....	1
20	264159	Adhesive	1
21	1566890	Adapter	1
21	16983	O-Ring	1
22	2079735	Hose (Pump Section)	1
23	1564515	Capscrew	2
24	2088916	Hose Assy	1
25	1473898	Fitting	1
25	280154	O-Ring	1
25	1450764		
	16486	O-Ring	1
26	369804	Clamp	2
27	2105639	Hose Assy (Return Line)	1
28	1612214	Fitting	1

FOOTNOTES:**a** H4.0FT5, H4.0FT6, Diesel**b** H4.0FT5, H4.0FT6, LPG**c** H4.5FTS5, H4.5FT6, H5.0FT, H5.5T, LPG and Diesel

GEAR PUMP (FIGURE 10-2)



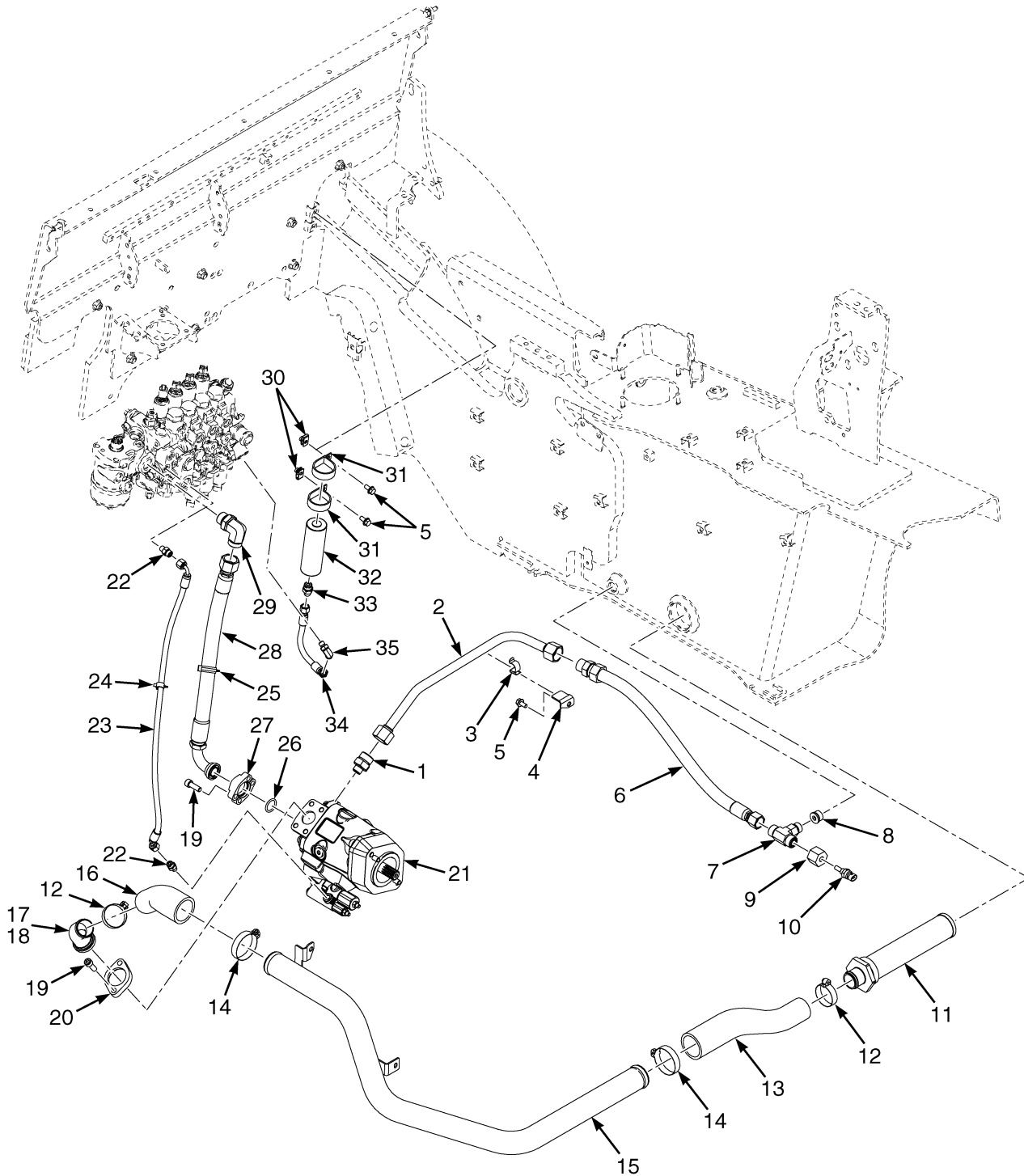
BP150147

GEAR PUMP

ITEM	PART NO.	DESCRIPTION	QTY
	b 4602289		
	4633617	Gear Pump (41.3 cc)	1
	ac 4602290		
	4633618	Gear Pump (46.5 cc)	1
1	4009235	Screw (Flange Head) (41.3 cc)	1
1	4009236	Screw (Flange Head) (46.5 cc)	1
2	1624865	Washer	4
3	1624853		
	4108839	Cover	1
4	1624862	Plate (Seal)	2
5	1624863	Back-Up Ring	2
6	1624861	Pressure Plate	2
7	Gear Plate	1
8	1624869	Gear Set (41.3 cc)	1
8	1624992	Gear Set (46.5 cc)	1
8	Drive Gear	1
8	Driven Gear	1
9	4009240		
	4108837	Flange	1
10	1624866	Oil Seal	1
11	1624867	Snap Ring	1
	1624868	Kit-Seal	1

FOOTNOTES:**a** H4.0FT5, H4.0FT6, Diesel**b** H4.0FT5, H4.0FT6, LPG**c** H4.5FTS5, H4.5FT6, H5.0FT, H5.5FT, LPG and Diesel

HYDRAULIC SUPPLY AND RETURN (FIGURE 10-3) WITH VARIABLE DISPLACEMENT PUMP



BP150427

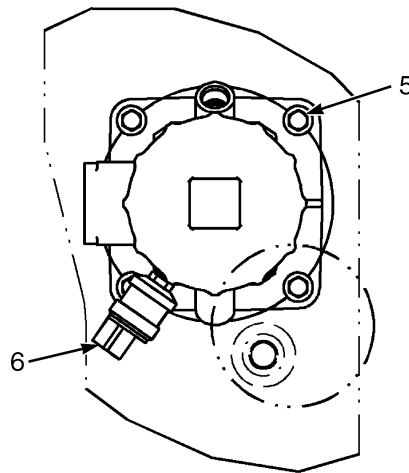
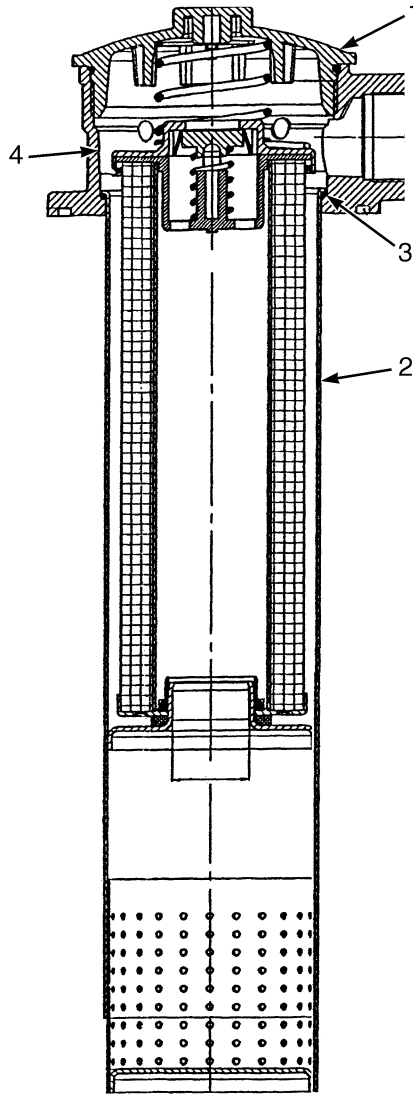
**HYDRAULIC SUPPLY AND RETURN
WITH VARIABLE DISPLACEMENT PUMP**

ITEM	PART NO.	DESCRIPTION	QTY
1	1486753	Fitting	1
2	4601719	Tube Assy (Hyd Pump Case Drain) (Hydraulic Pump Case Drain)	1
3	1582511	Clip	1
4	4003753	Bracket	1
5	4109993		
	1527879	Capscrew	3
6	4601722	Hose Assy	1
7	1532650	Fitting	1
8	233693	Fitting	1
9	4003165	Fitting	1
10	1515654	Temperature Sensor	1
11	4604581	Strainer	1
11	18909	O-Ring	1
12	369804	Clamp	2
13	4613164	Hose (Diesel)	1
13	4612097	Hose (LPG)	1
14	119236	Clamp	2
15	4044338		
	4058524	Tube (Diesel)	1
15	4029105		
	4058522	Tube (LPG)	1
16	4601717	Hose (Pump Suction)	1
17	222567	Fitting	1
18	199917	O-Ring	1
19	296026	Capscrew	6
20	4004390	Flange	1
21	Pump Group (☞ Figure 10-5).....	1
22	1486737	Fitting	2
23	4601723	Hose Assy	1
24	1542439	Clamp (Swivel)	1
25	1561759	Clamp (Swivel)	1
26	210641	O-Ring	1
27	4010776	Fitting	2
28	4601720	Hose Assy	1
29	1473898	Fitting	1
30	1480237	Nut	2
31	181899	Clamp	2
32	4609405	Accumulator	1
33	1486738	Fitting	1
34	4609300	Hose Assy	1
35	1487058	Fitting	1
	a 264159	Adhesive	AR

FOOTNOTES:

a Not Illustrated

HYDRAULIC FILTER (FIGURE 10-4)



BP150185

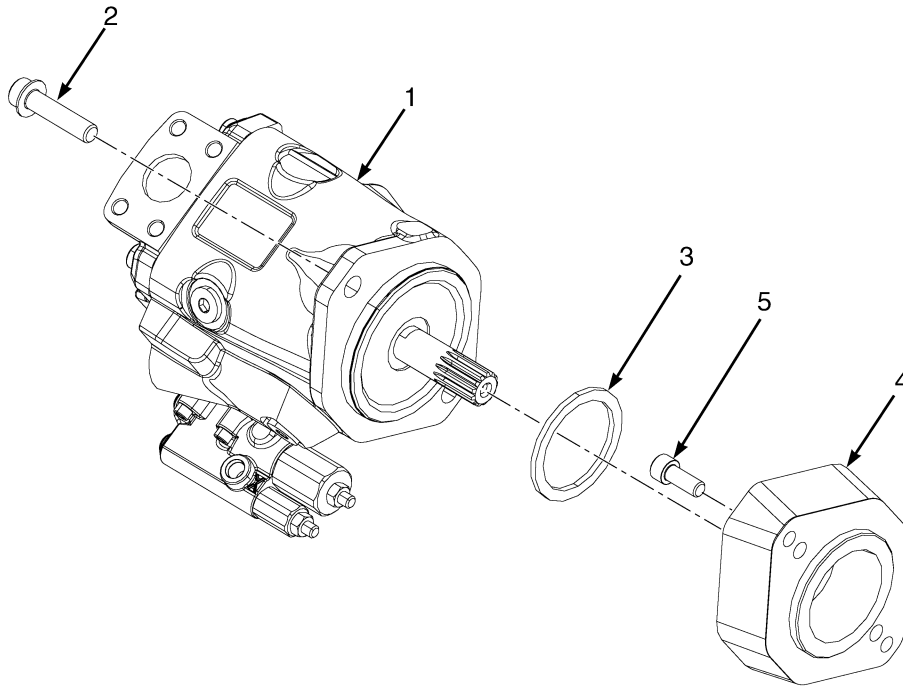
HYDRAULIC FILTER

ITEM	PART NO.	DESCRIPTION	QTY
	4001029	Hydraulic Filter	1
1	1708697	Cap	1
1	a	O-Ring	1
1	Spring	1
2	a	Filter Element	1
2	O-Ring	1
3	Bowl Assembly	1
3	O-Ring	1
4	Head	1
4	Quad Ring	1
4	14591	Plug	2
4	16481	O-Ring	1
5	1502543	Nut (Flange)	4
6	b 2068337	Pressure Switch	1
8	1708691	Kit-O-Ring	1
	1707195	Kit-Filter Element and Cap Seal	1

FOOTNOTES:

- a** Service with Kit 1707195 Filter Element and Cap Seal **b** With Electronic Monitoring Package

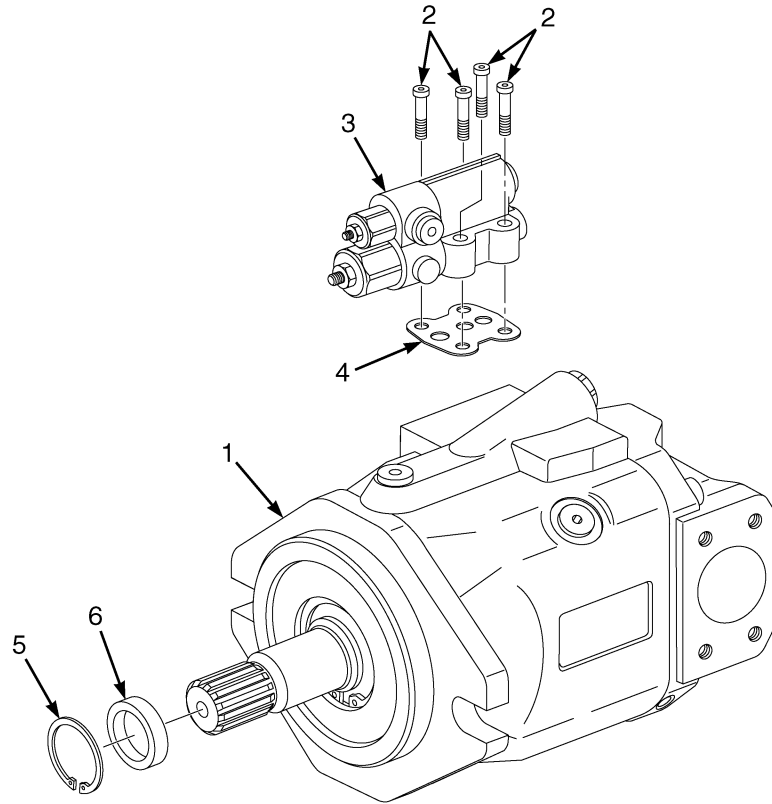
VARIABLE DISPLACEMENT PUMP AND ADAPTOR (FIGURE 10-5)



BP150426

ITEM	PART NO.	DESCRIPTION	QTY
1	4601714	Hydraulic Pump (42 cc) (☞Figure 10-6).....	1
1	4601715	Hydraulic Pump (45 cc) (☞Figure 10-6).....	1
2	4002921	Capscrew	2
3	4027303	Seal	1
4	4027084	Adapter (42 cc)	1
4	4027085	Adapter (45 cc)	1
5	296025	Capscrew	2

**VARIABLE DISPLACEMENT PUMP (FIGURE 10-6)
ASSEMBLY**



BP150443

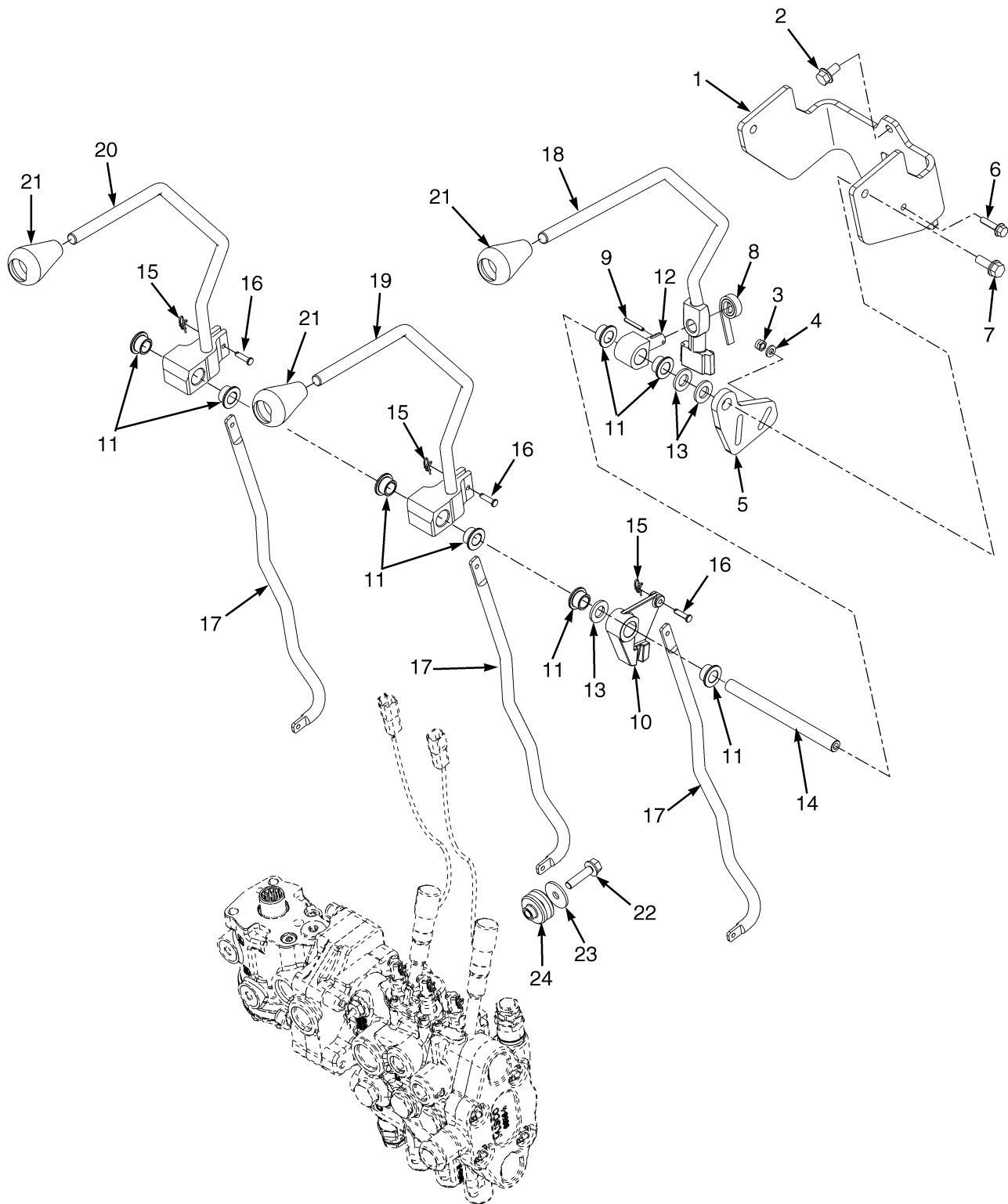
ITEM	PART NO.	DESCRIPTION	QTY
1	ab 4601714	Hydraulic Pump (42 cc)	1
1	cd 4601715	Hydraulic Pump (45 cc)	1
2	4021485	Screw	4
3	4021472	Valve	1
4	Seal	1
5	4021492	Retaining Ring	1
6	4021488	Seal	1
	4038424	Kit VDP Shaft Seal Replacement	1
	4038490	Kit VDP Shaft Seal Replacement and Tool	1

FOOTNOTES:

- a** H4.0FT5, H4.0FT6, One Speed
- b** H4.0FT5, H4.0FT6, Two Speed

- c** H4.5FTS5, H4.5FT6, H5.0FT, H5.5FT, One Speed
- d** H4.5FTS5, H4.5FT6, H5.0FT, H5.5FT, Two Speed

HAND LEVERS (FIGURE 10-7) THREE FUNCTION — WITH DETENTED LEVERS

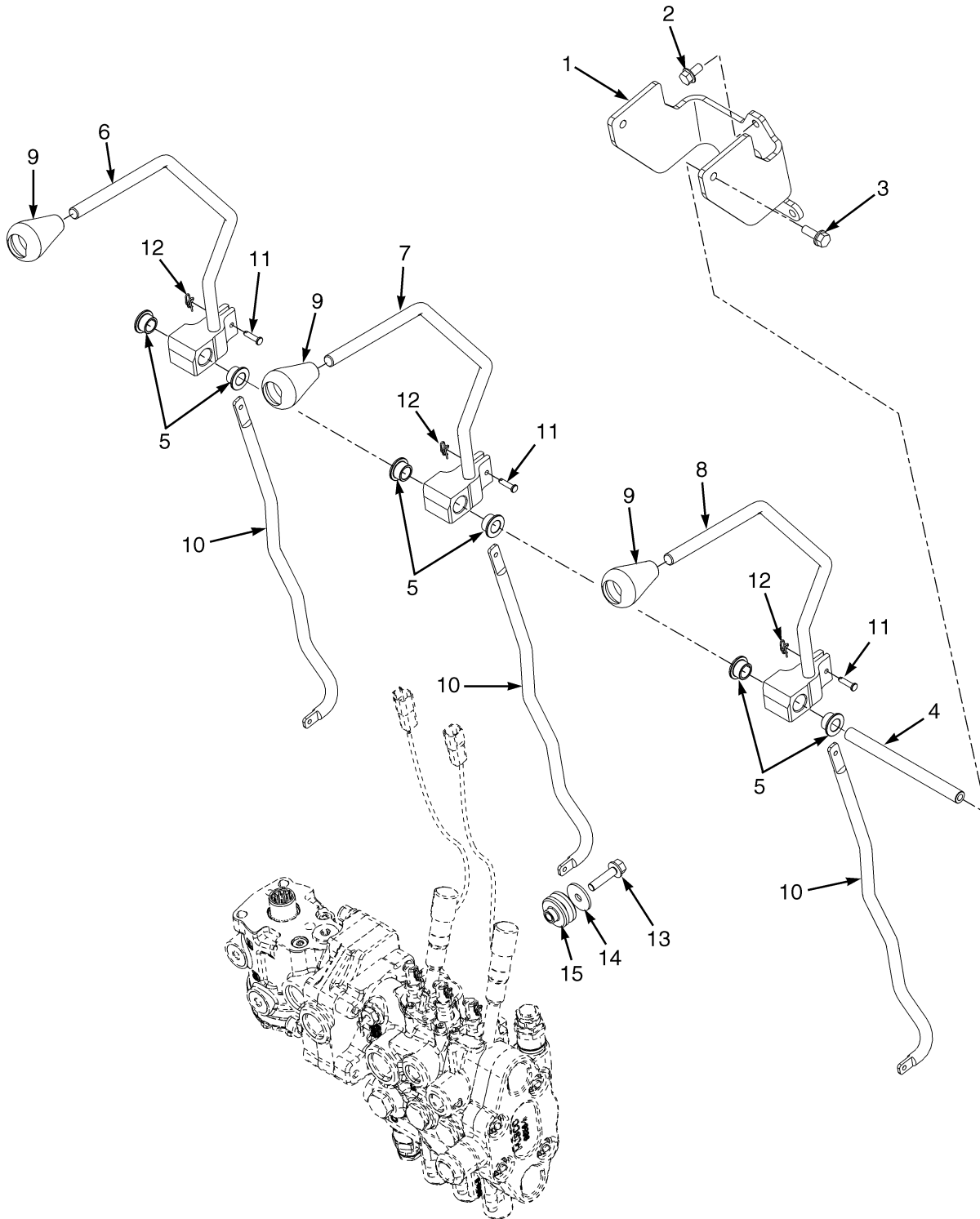


BP150138

**HAND LEVERS
THREE FUNCTION – WITH DETENTED LEVERS**

ITEM	PART NO.	DESCRIPTION	QTY
1	1670194	Bracket	1
2	4109993		
	1527879	Capscrew	3
3	316834	Nut	1
4	4093489		
	320156	Washer	1
5	1670677	Plate	1
6	1527878	Capscrew	1
7	1583611	Capscrew	2
8	175861	Spring	1
9	302428	Roll Pin	1
10	1542546	Lever	2
11	1564747	Bushing	10
12	306113	Pin (Selector)	1
13	320161	Washer	2
14	1670195	Shaft (Pivot)	1
15	1517361	Locking Ring Cotter Pin	6
16	309109	Pin	6
17	1662420	Link	3
18	2099398	Lever (Auxiliary One and Two)	1
19	2099394	Lever (Tilt)	1
20	2099393	Lever (Lift)	1
21	4038182	Knob	3
22	1586627	Capscrew	3
23	1346752	Washer	3
24	2063991	Isolator	3
	Hydraulic Control Valve (☞Figure 10-13, ☞Figure 10-17).....	1

HAND LEVERS (FIGURE 10-8) THREE FUNCTION — WITHOUT DETENTED LEVERS



BP150139

HAND LEVERS
THREE FUNCTION – WITHOUT DETENTED LEVERS

ITEM	PART NO.	DESCRIPTION	QTY
1	1665746	Bracket	1
2	4109993		
	1527879	Capscrew	3
3	1583611	Capscrew	2
4	1670292	Shaft	1
5	1564747	Bushing	6
6	2099393	Lever (Lift)	1
7	2099394	Lever (Tilt)	1
8	2099395	Lever (Auxiliary One)	1
9	4038182	Knob	3
10	1662420	Link	3
11	309109	Pin	6
12	1517361	Locking Ring Cotter Pin	6
13	1586627	Capscrew	3
14	1346752	Washer	3
15	2063991	Isolator	3
	Hydraulic Control Valve (☞Figure 10-13, ☞Figure 10-17).....	1

HAND LEVERS (FIGURE 10-9) FOUR FUNCTION — WITH DETENTED LEVERS



BP150140

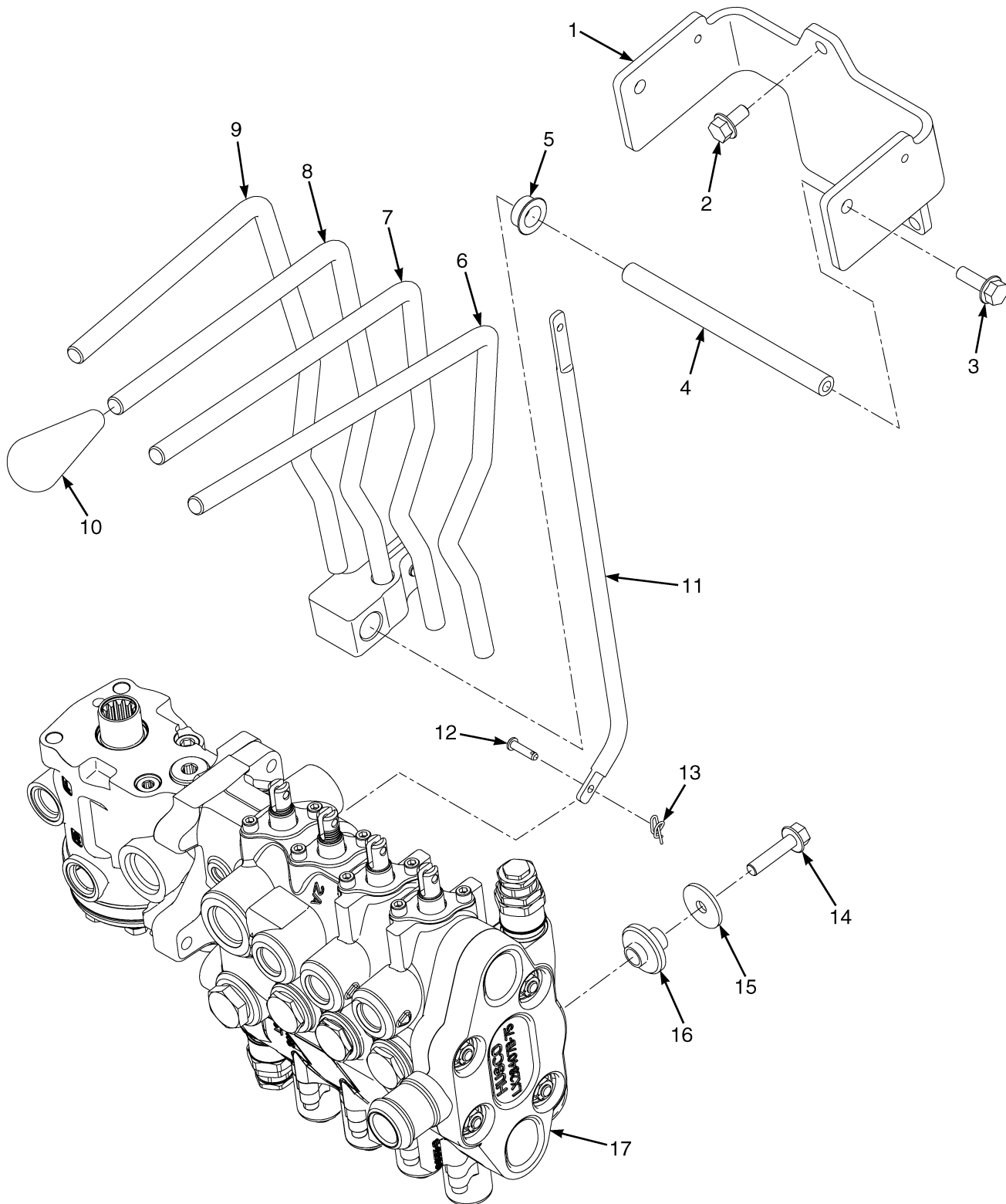
HAND LEVERS
FOUR FUNCTION – WITH DETENTED LEVERS

ITEM	PART NO.	DESCRIPTION	QTY
1	1665748	Bracket	1
2	4109993		
	1527879	Capscrew	4
3	316834	Nut	1
4	4093489		
	320156	Washer	1
5	1670677	Plate	1
6	1527878	Capscrew	1
7	1583611	Capscrew	2
8	175861	Spring	1
9	302428	Roll Pin	1
10	1542546	Lever	1
11	1564747	Bushing	10
12	306113	Pin (Selector)	1
13	1670196	Shaft	1
14	320161	Washer	3
15	1662420	Link	4
16	1517361	Locking Ring Cotter Pin	8
17	309109	Pin	8
18	2099397	Lever (Auxiliary Two and Three)	1
19	2099395	Lever (Auxiliary One)	1
20	2099394	Lever (Tilt)	1
21	2099393	Lever (Lift)	1
22	4038182	Knob	4
23	1586627	Capscrew	3
24	1346752	Washer	3
25	2063991	Isolator	3
26	Hydraulic Control Valve (☞Figure 10-13, ☞Figure 10-17).....	1
	a 2070655	Lens (Blank)	1

FOOTNOTES:

a Not Illustrated

HAND LEVERS (FIGURE 10-10) FOUR FUNCTION — WITHOUT DETENTED LEVERS

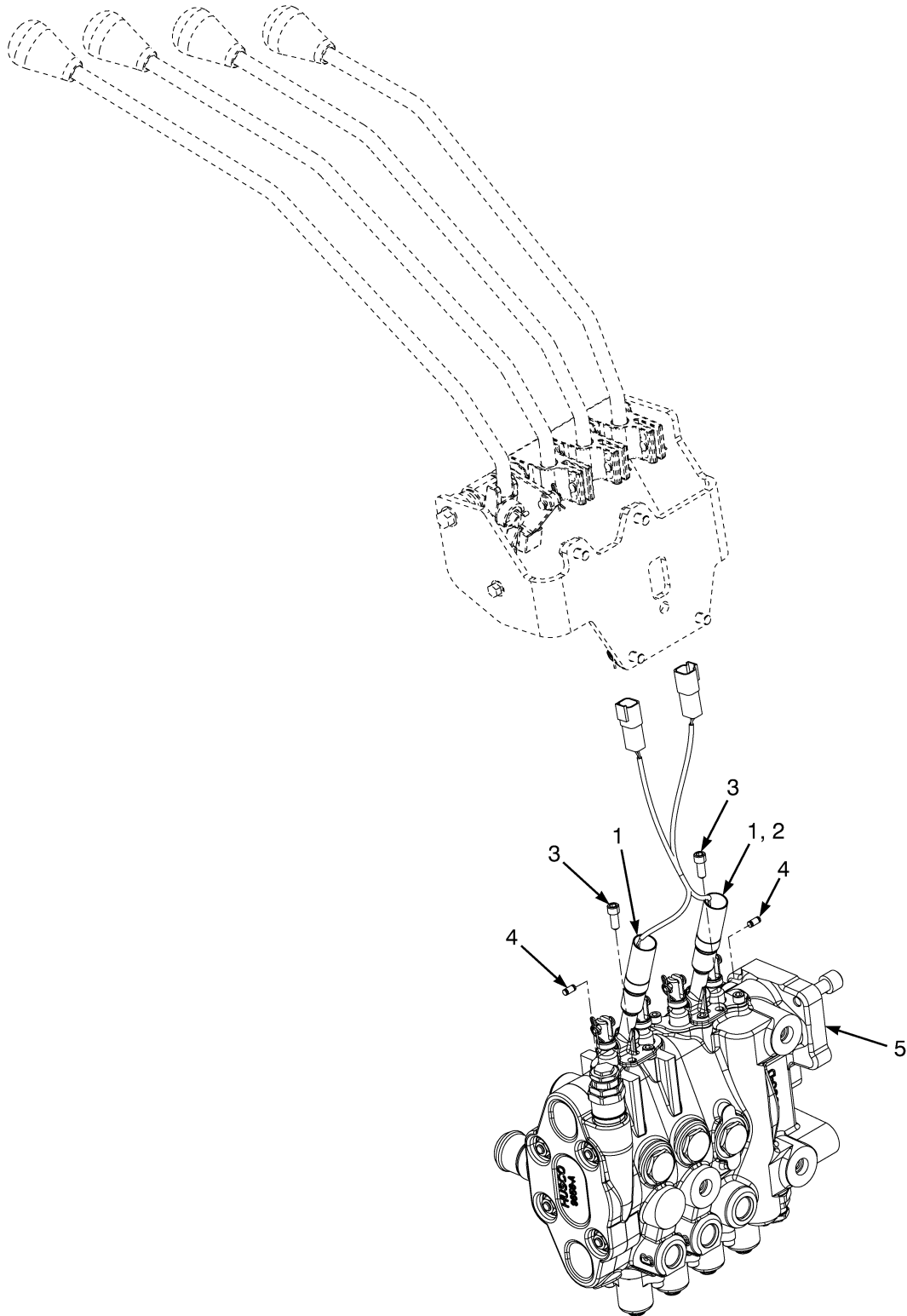


BP150141

HAND LEVERS
FOUR FUNCTION – WITHOUT DETENTED LEVERS

ITEM	PART NO.	DESCRIPTION	QTY
1	1665747	Bracket	1
2	4109993		
	1527879	Capscrew	3
3	1583611	Capscrew	2
4	1670293	Shaft	1
5	1564747	Bushing	8
6	2099396	Lever (Auxiliary Two)	1
7	2099395	Lever (Auxiliary One)	1
8	2099394	Lever (Tilt)	1
9	2099393	Lever (Lift)	1
10	4038182	Knob	4
10	2070655	Lens (Blank)	1
11	1662420	Link	4
12	309109	Pin	8
13	1517361	Locking Ring Cotter Pin	8
14	1586627	Capscrew	3
15	1346752	Washer	3
16	2063991	Isolator	3
17	HYdraulic Control Valve (☞Figure 10-13, ☞Figure 10-17).....	1

CONTROL VALVE LOCKOUT GROUP (FIGURE 10-11) MANUAL CONTROL VALVE

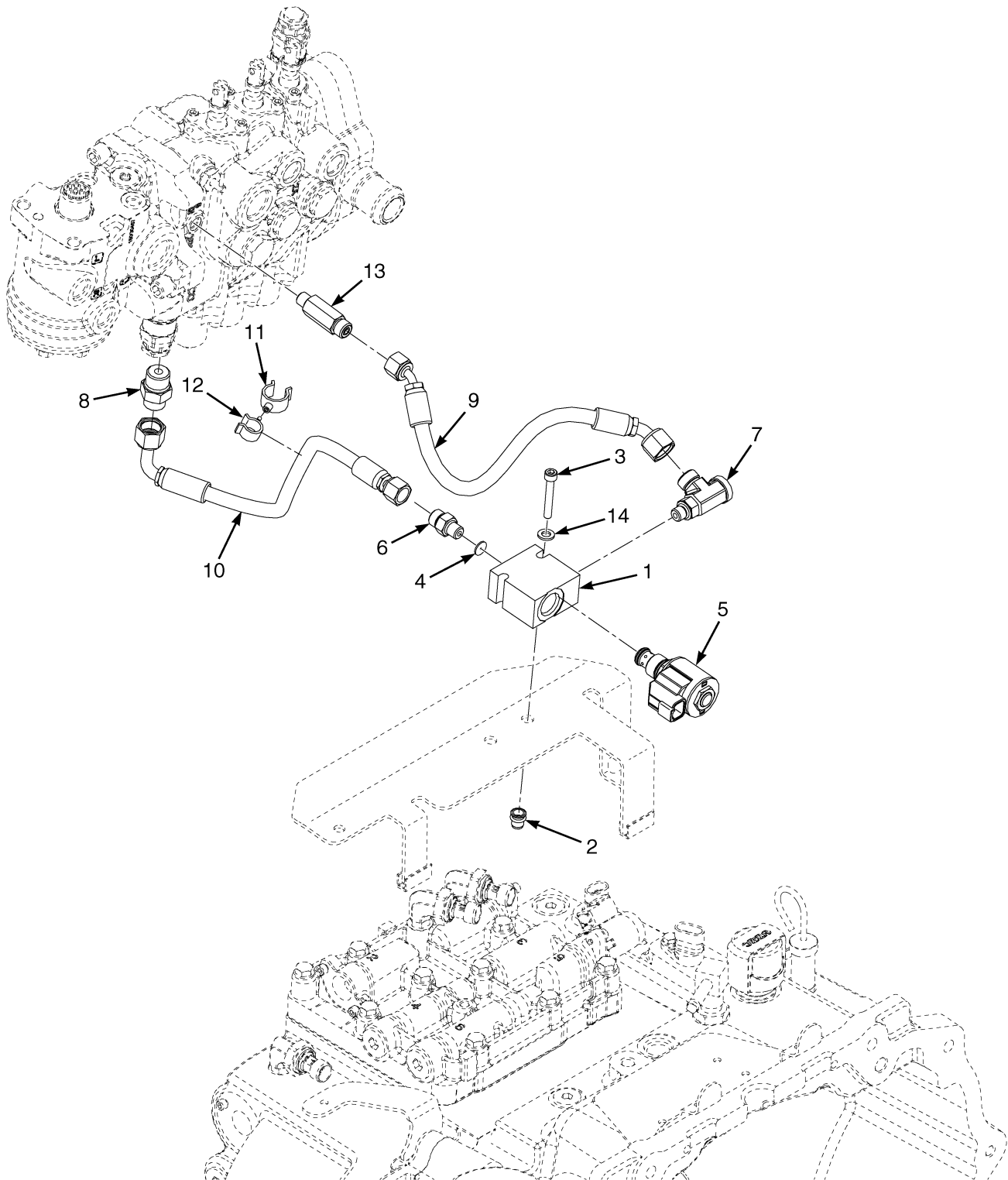


BP140133

**CONTROL VALVE LOCKOUT GROUP
MANUAL CONTROL VALVE****KEY:****A: 3 Function****B: 4 Function**

ITEM	PART NO.	DESCRIPTION	QTY	
			A	B
1	1683529	Solenoid Assembly (Double Function)	1	2
2	1683621	Solenoid Assembly (Single Function)	1	..
3	18748	Capscrew	4	4
4	1670413	Needle Roller	3	4
5	Manual Control Valve (☞ Figure 10-13).....	1	1

ANTI-STALL (FIGURE 10-12) WITH MANUAL HYDRAULIC VALVE — GAS, LPG AND 3.6L DIESEL (4/2014 →)

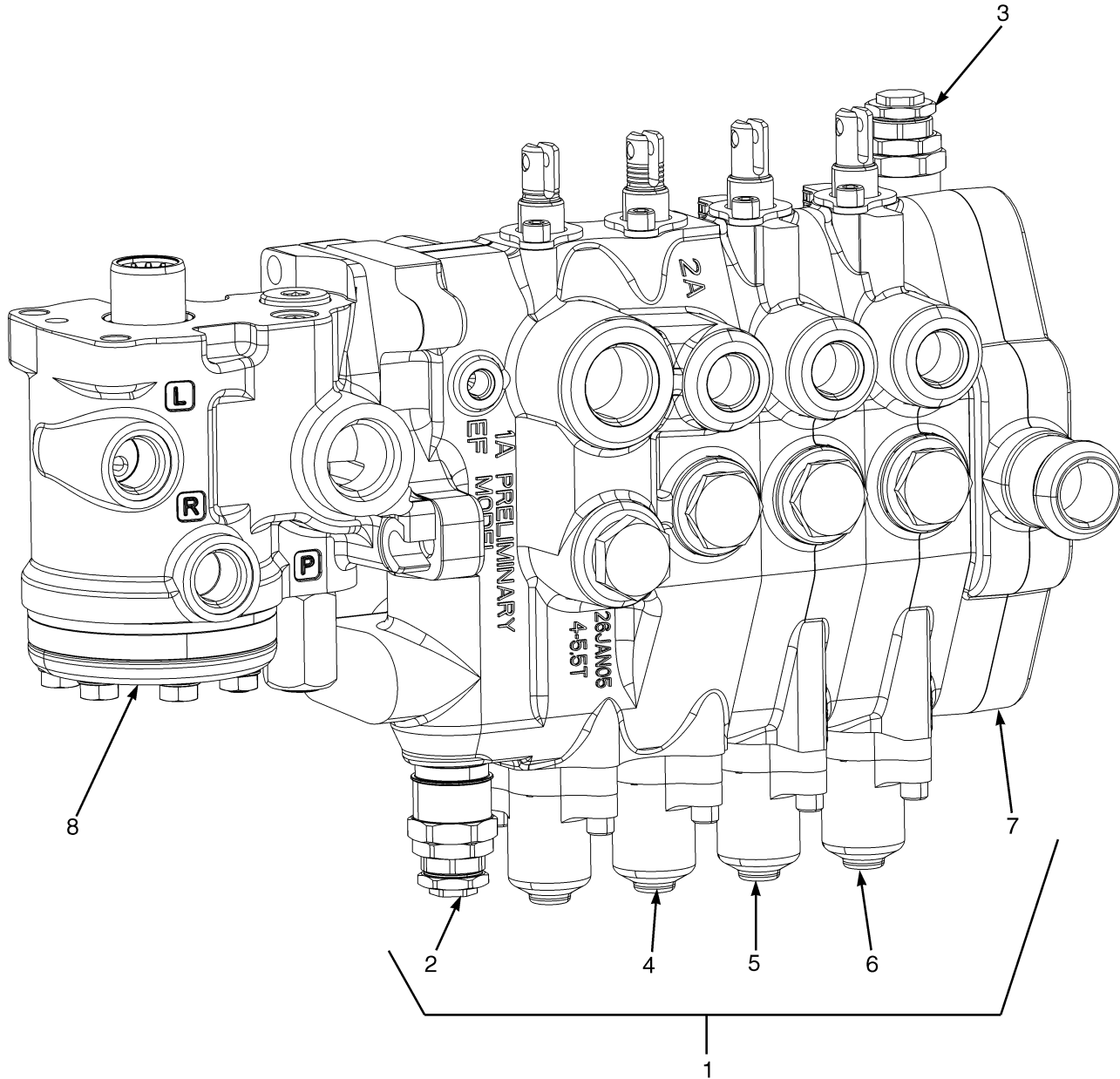


BP140252

ANTI-STALL
WITH MANUAL HYDRAULIC VALVE – GAS, LPG AND 3.6L DIESEL (4/2014 →)

ITEM	PART NO.	DESCRIPTION	QTY
1	4630267	Valve Block	1
2	1531558	Insert	2
3	296000	Capscrew	2
4	1695754	Disk	1
5	1678165	Solenoid Valve	1
6	1486737	Fitting	1
7	4078018	T-Fitting	1
8	1486742	Fitting	1
9	4634854	Hose Assy	1
10	4631745	Hose Assy	1
11	1502054	Clamp	1
12	1502055	Clamp (Swivel)	1
13	4100401	Fitting	1

CONTROL VALVE ASSEMBLY (FIGURE 10-13)
MANUAL CONTROL VALVE — THREE AND FOUR FUNCTION (→ 4/2014)



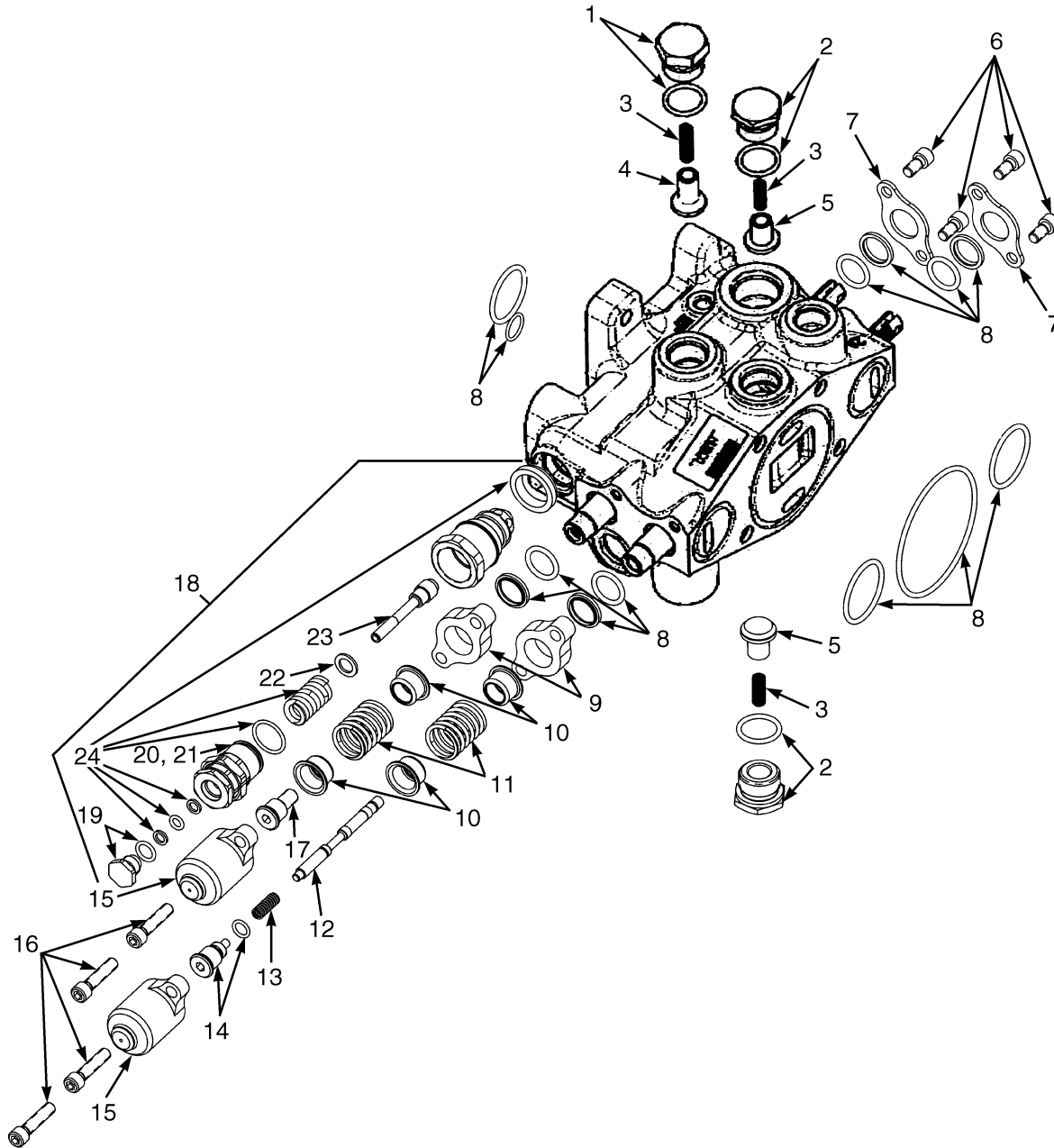
BP140077

CONTROL VALVE ASSEMBLY
MANUAL CONTROL VALVE – THREE AND FOUR FUNCTION (→ 4/2014)

KEY:**A: Three Function****B: Four Function**

ITEM	PART NO.	DESCRIPTION	QTY	
			A	B
	2105888	Hydraulic Control Valve	1	..
	2105890	Hydraulic Control Valve	1
1	2105891	Hydraulic Control Valve	1	..
1	2105892	Hydraulic Control Valve	1
1	1670434	Kit-Seal (Three Function)	1	..
1	1670054	Kit-Seal (Four Function)	1
2	4010004	Relief Valve	1	1
2	1580097	Kit-Seal and Spring	1	1
3	1578707	Relief Valve (Secondary) (15.5 MPa)	1	1
3	1580131	Kit-Seal and Spring	1	1
4	1702466	Valve Section (Lift And Tilt) (☞Figure 10-14).....	1	1
5	1670431	Valve Section (Spool Section) (☞Figure 10-15).....	1	1
6	1670533	Valve Section (Spool Section) (☞Figure 10-15).....	..	1
7	1578746	Valve Section (Outlet Section) (☞Figure 10-16).....	1	1
8	2102566	Steering Control Unit (☞Figure 8-5).....	1	1
	1581858	Kit-Capscrew	1	1
	1580156	Kit-Tie Rod (Four Function)	1
	1580155	Kit-Tie Rod (Three Function)	1	..

MANUAL CONTROL VALVE (FIGURE 10-14) LIFT AND TILT — THREE AND FOUR FUNCTION (→ 4/2014)

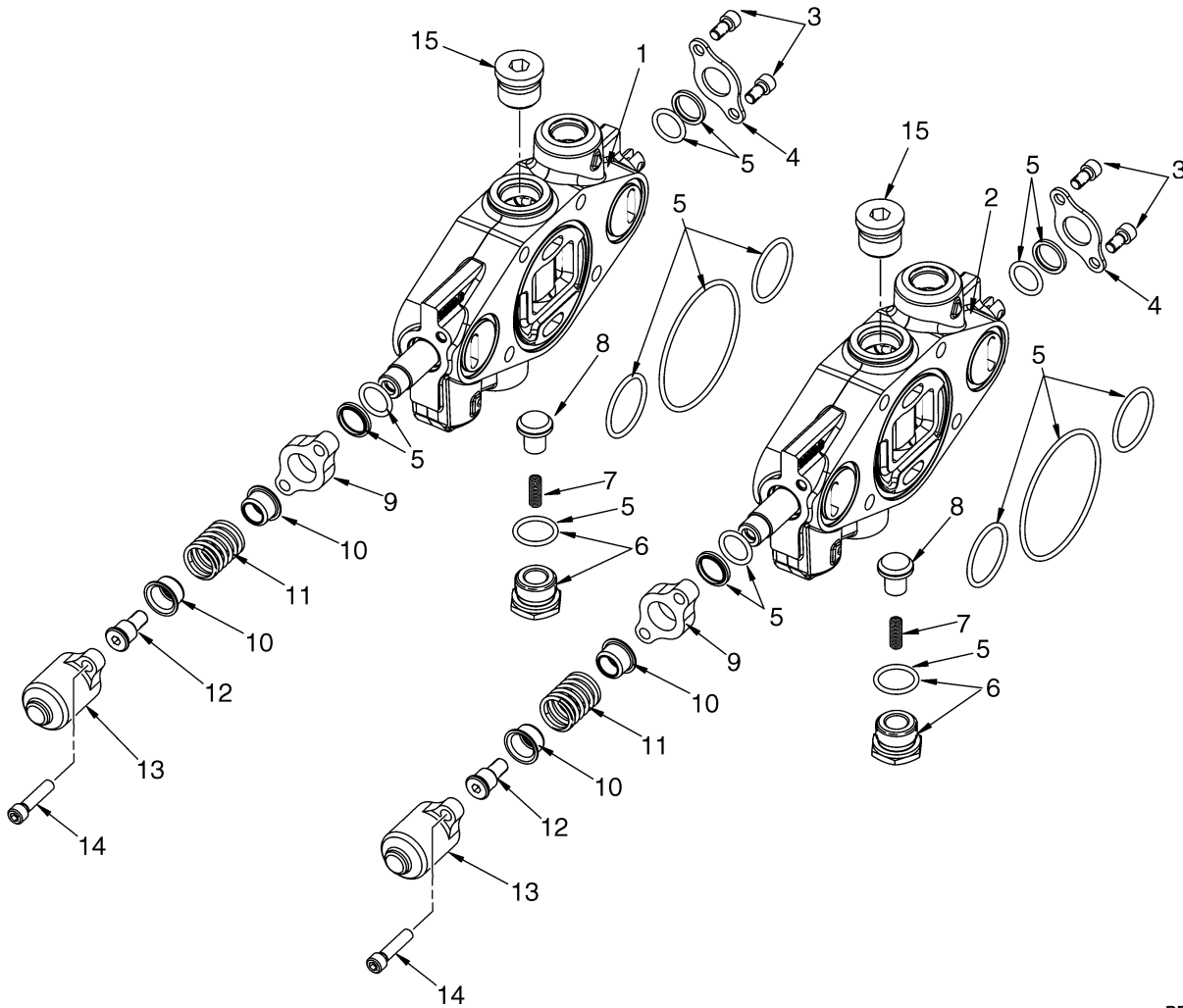


BP140078

MANUAL CONTROL VALVE
LIFT AND TILT – THREE AND FOUR FUNCTION (→ 4/2014)

ITEM	PART NO.	DESCRIPTION	QTY
	1702466	Valve Section (Lift And Tilt)	1
1	1578940	Plug	1
2	1578713	Plug Assembly	2
3	77442	Spring	3
4	1578943	Poppet	1
5	77443	Poppet	2
6	16706	Screw	4
7	188515	Plate	2
8	1670445	Kit-Seal (Lift and Tilt)	1
9	Seal Plate	2
10	320289	Spring Seat	4
11	188517	Spring	2
12	1581861	Piston	1
13	341462	Spring	1
14	386015	Spool End	1
14	320291	Spool End	1
14	16480	O-Ring	1
15	1560681	Cap	2
16	1578705	Capscrew	4
17	1581859	Spool End	1
18	1559973	Relief Valve (3100 PSI) (Main Relief)	1
19	1580694	Plug	1
20	1580697	Screw	1
21	1580698	Nut	1
22	1580695	Washer	1
23	1580696	Poppet	1
24	1581858	Kit-Capscrew	1
25	1580097	Kit-Seal and Spring	1

MANUAL CONTROL VALVE (FIGURE 10-15) AUXILIARY ONE AND TWO — THREE AND FOUR FUNCTION (→ 4/2014)



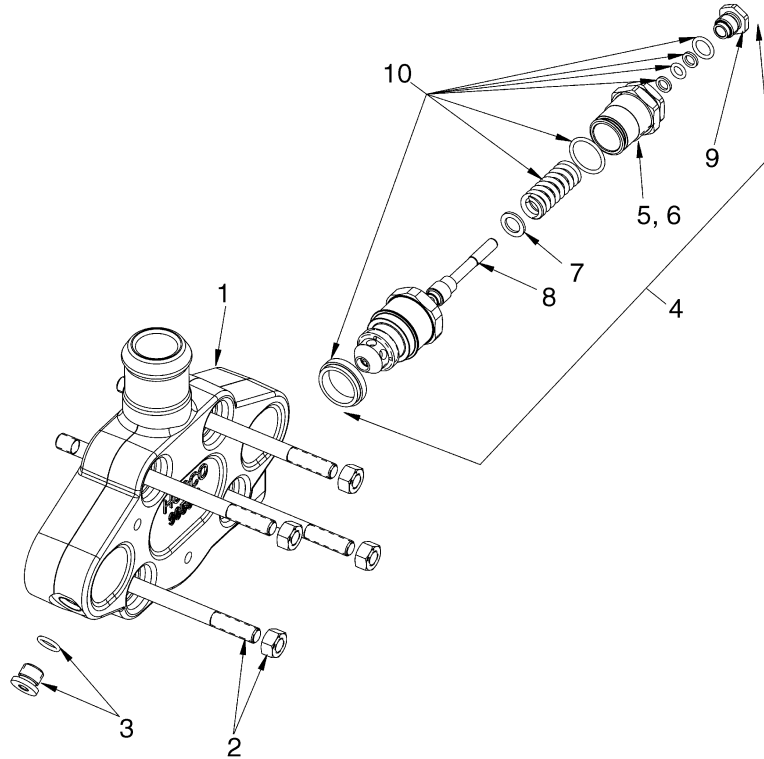
BP150220

MANUAL CONTROL VALVE
AUXILIARY ONE AND TWO – THREE AND FOUR FUNCTION (→ 4/2014)

KEY:**A: Three Function****B: Four Function**

ITEM	PART NO.	DESCRIPTION	QTY	
			A	B
1	1670431	Valve Section (Spool Section) One or Two	1	1
2	1670533	Valve Section (Spool Section) One	1
3	16706	Screw	2	2
4	188515	Plate	1	1
5	1580147	Kit-Seal (Auxiliary Functions)	1	1
6	1578713	Plug Assembly	1	1
6	77441	Plug	1	1
7	77442	Spring	1	1
8	77443	Poppet	1	1
9	Seal Plate	1	1
10	320289	Spring Seat	1	1
11	188517	Spring	1	1
12	1581859	Spool End	1	1
13	1560681	Cap	1	1
14	1578705	Capscrew	2	2
15	1578714	Plug Assembly	1	1

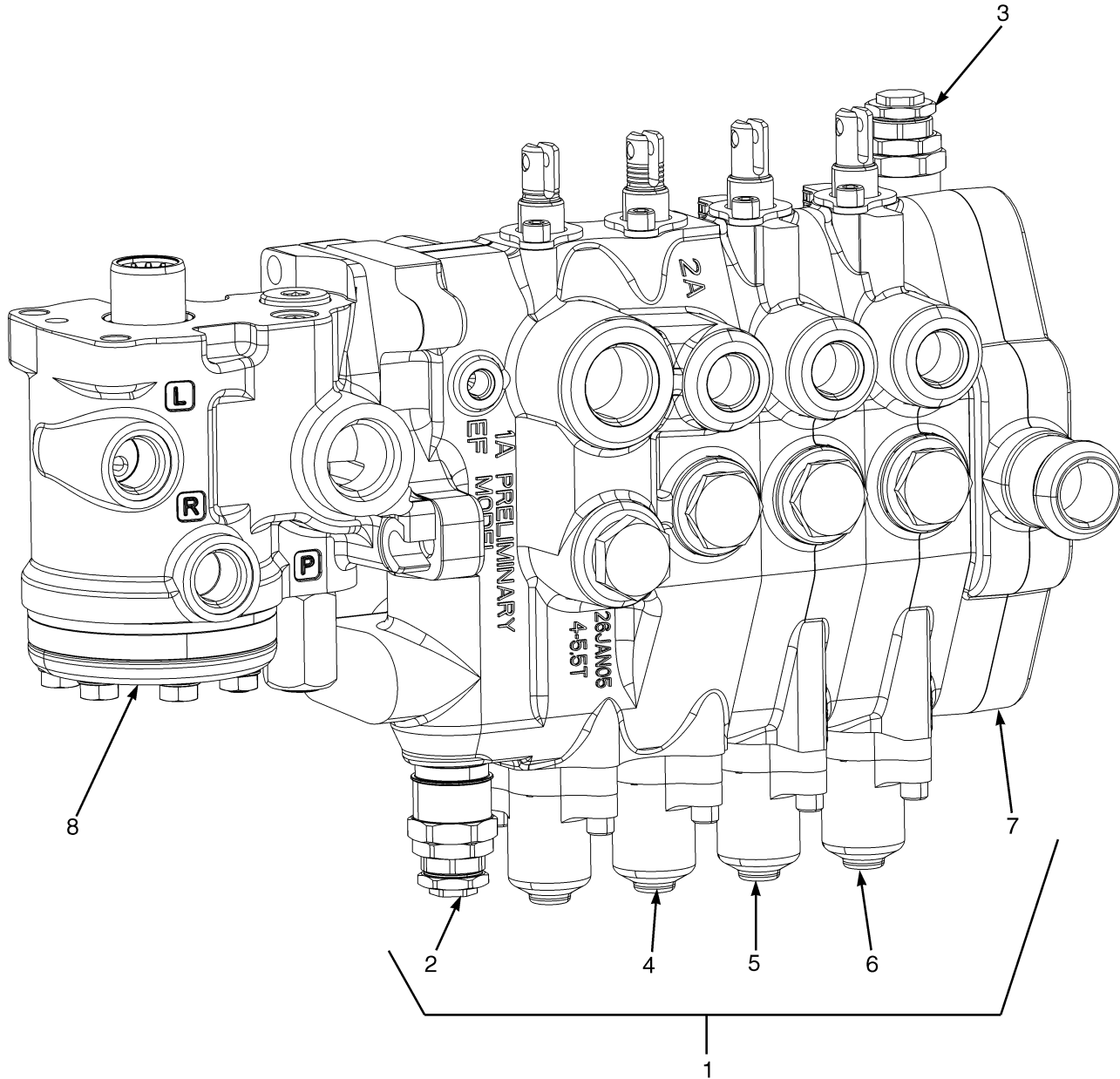
MANUAL CONTROL VALVE (FIGURE 10-16)
OUTLET SECTION — THREE AND FOUR FUNCTION (→ 4/2014)



BP140048

ITEM	PART NO.	DESCRIPTION	QTY
1	1578746	Valve Section (Outlet Section)	1
2	1580155	Kit-Tie Rod (Three Function)	1
2	1580156	Kit-Tie Rod (Four Function)	1
3	1578712	Plug Assembly	1
4	1578707	Relief Valve (Secondary) (15.5 MPa)	1
5	Nut	1
6	Screw	1
7	Washer	1
8	Poppet	1
9	Plug	1
10	1580131	Kit-Seal and Spring	1

**HYDRAULIC CONTROL VALVE (MANUAL) (FIGURE 10-17)
THREE AND FOUR FUNCTION (4/2014 →)**

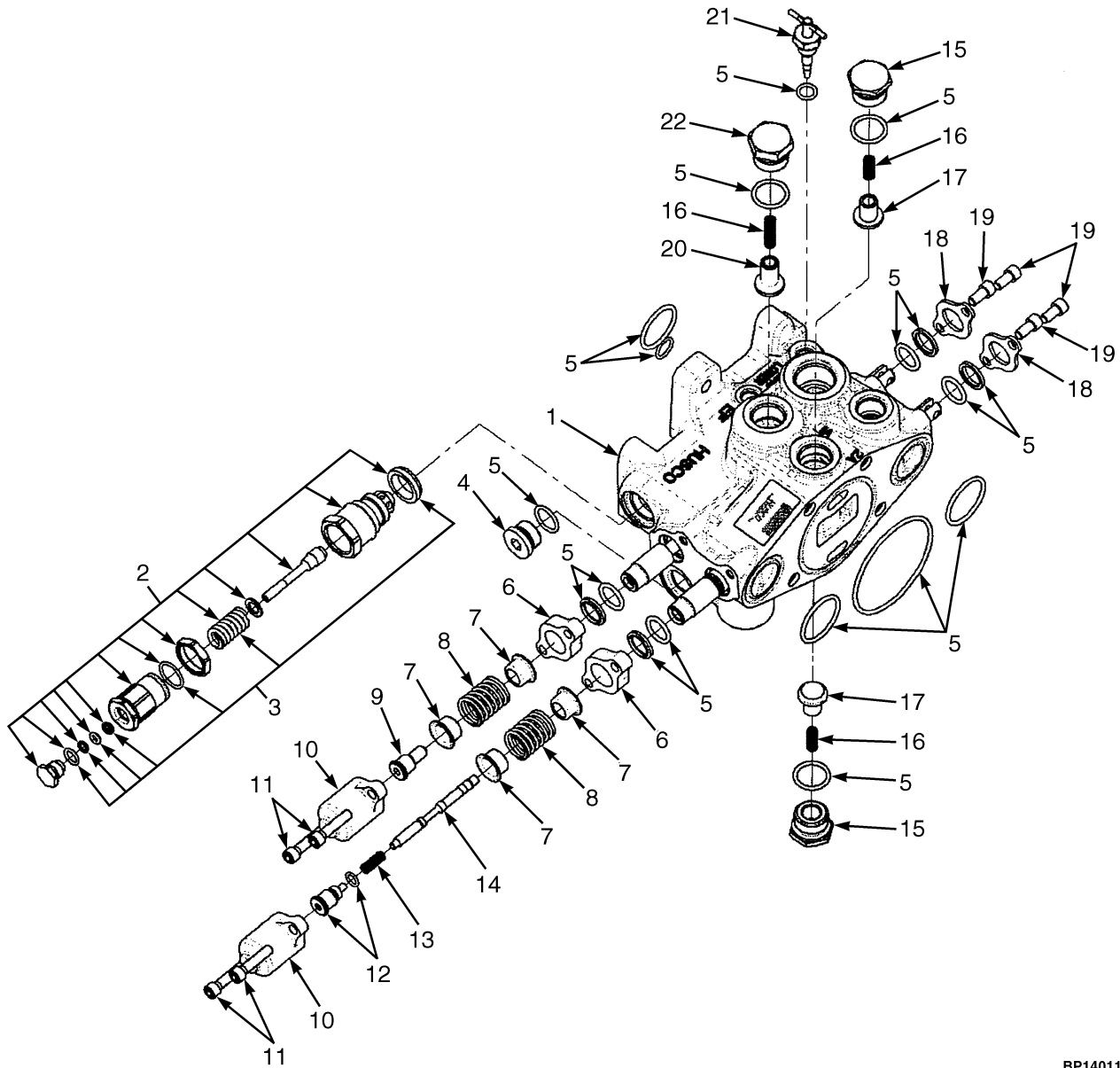


BP140077

**HYDRAULIC CONTROL VALVE (MANUAL)
THREE AND FOUR FUNCTION (4/2014 →)****KEY:****A: Three Function****B: Four Function**

ITEM	PART NO.	DESCRIPTION	QTY	
			A	B
	4629215	Hyd Valve W/Assembled Parts	1	..
	4629217	Hyd Valve W/Assembled Parts	1
1	4629212	Hyd Control Valve	1	..
1	4629213	Hyd Control Valve	1
1	1670434	Kit-Seal (Three Function)	1	..
1	1670054	Kit-Seal (Four Function)	1
2	4095653	Relief Valve (3200 PSI)	1	1
2	1580097	Kit-Seal and Spring	1	1
3	1578707	Relief Valve (Secondary) (15.5 MPa)	1	1
3	1580097	Kit-Seal and Spring	1	1
4	4095651	Valve Section (Lift and Tilt) (☞Figure 10-18).....	1	1
5	4095652	Valve Section (Auxiliary One) (☞Figure 10-19).....	1	1
6	4089066	Valve Section (Auxiliary Two) (☞Figure 10-19).....	..	1
7	1578746	Valve Section (Outlet Section) (☞Figure 10-16).....	1	1
8	2102566	Steering Control Unit (☞Figure 8-5).....	1	1

HYDRAULIC CONTROL VALVE (MANUAL) (FIGURE 10-18) LIFT AND TILT — THREE AND FOUR FUNCTION (4/2014 →)

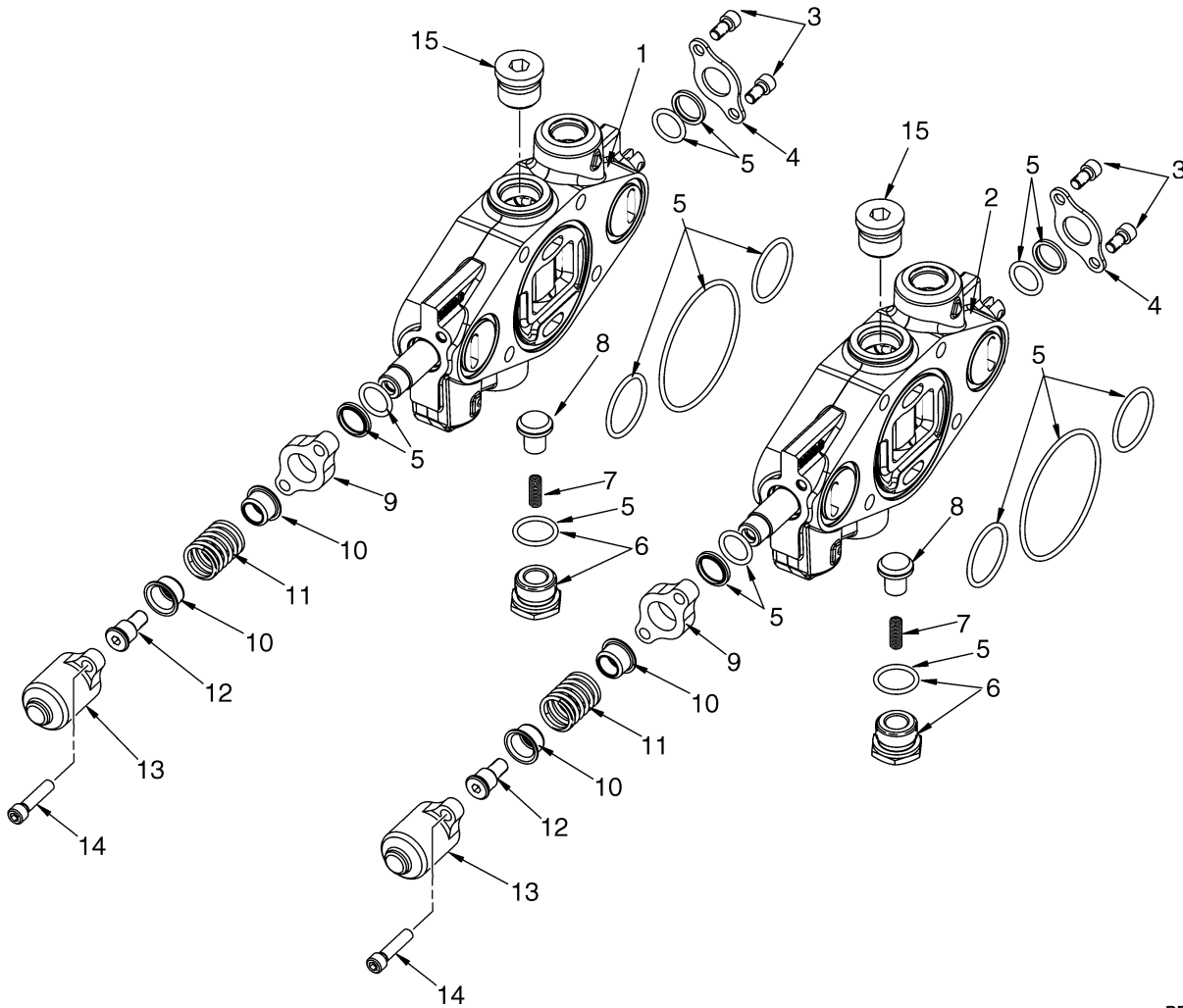


BP140111

HYDRAULIC CONTROL VALVE (MANUAL)
LIFT AND TILT – THREE AND FOUR FUNCTION (4/2014 →)

ITEM	PART NO.	DESCRIPTION	QTY
1	4095651	Valve Section (Lift and Tilt)	1
2	4095653	Relief Valve (3200 PSI)	1
4	1569602	Plug	1
5	1670445	Kit-Seal (Lift and Tilt)	1
6	Seal Plate	2
7	320289	Spring Seat	4
8	1581860	Spring	2
9	4088045	Spool End	1
10	1560681	Cap	2
11	1578705	Capscrew	4
12	4088044	Spool End	1
13	341462	Spring	1
14	1581861	Piston	1
15	1578713	Plug Assembly	1
16	77442	Spring	3
17	77443	Poppet	2
18	188515	Plate	2
19	16706	Screw	4
20	1578943	Poppet	1
21	1670522	Kit-Valve (Manual Lower Assembly)	1
22	1578940	Plug	1

HYDRAULIC CONTROL VALVE (MANUAL) (FIGURE 10-19) AUXILIARY ONE AND TWO SECTION — THREE AND FOUR FUNCTION (4/2014 →)



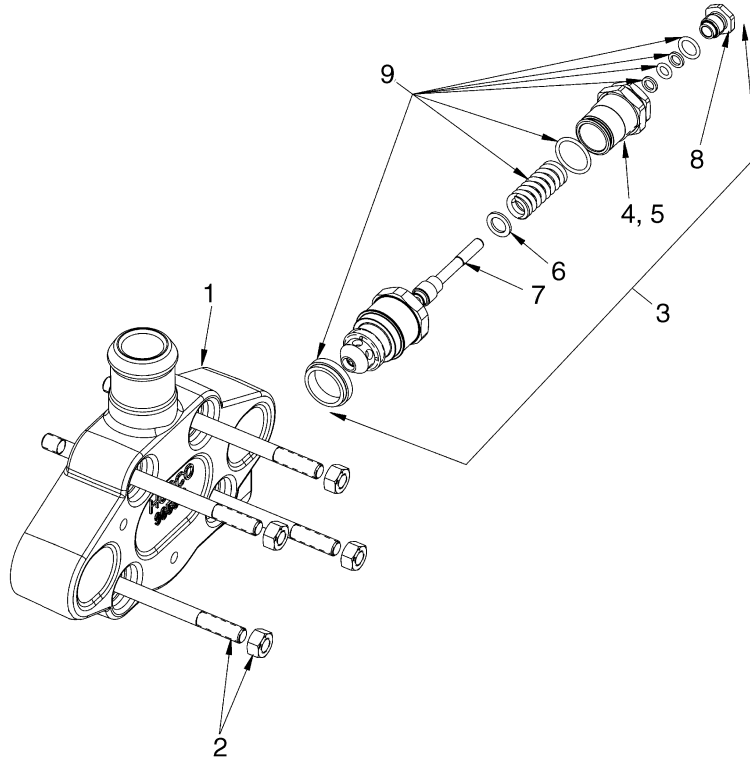
BP150220

HYDRAULIC CONTROL VALVE (MANUAL)
AUXILIARY ONE AND TWO SECTION – THREE AND FOUR FUNCTION (4/2014 →)

KEY:**A: Three Function****B: Four Function**

ITEM	PART NO.	DESCRIPTION	QTY	
			A	B
1	4095652	Valve Section (Auxiliary One)	1	1
2	4089066	Valve Section (Auxiliary Two)	1
3	16706	Screw	2	2
4	188515	Plate	1	1
5	1580147	Kit-Seal (Auxiliary Functions)	1	1
6	1578713	Plug Assembly	1	1
6	77441	Plug	1	1
7	77442	Spring	1	1
8	77443	Poppet	1	1
9	Seal Plate	1	1
10	320289	Spring Seat	2	2
11	1581860	Spring	1	1
12	4088045	Spool End	1	1
13	1560681	Cap	1	1
14	1578705	Capscrew	2	2
15	4031469	Plug Assembly	1	..
15	1578714	Plug Assembly	1

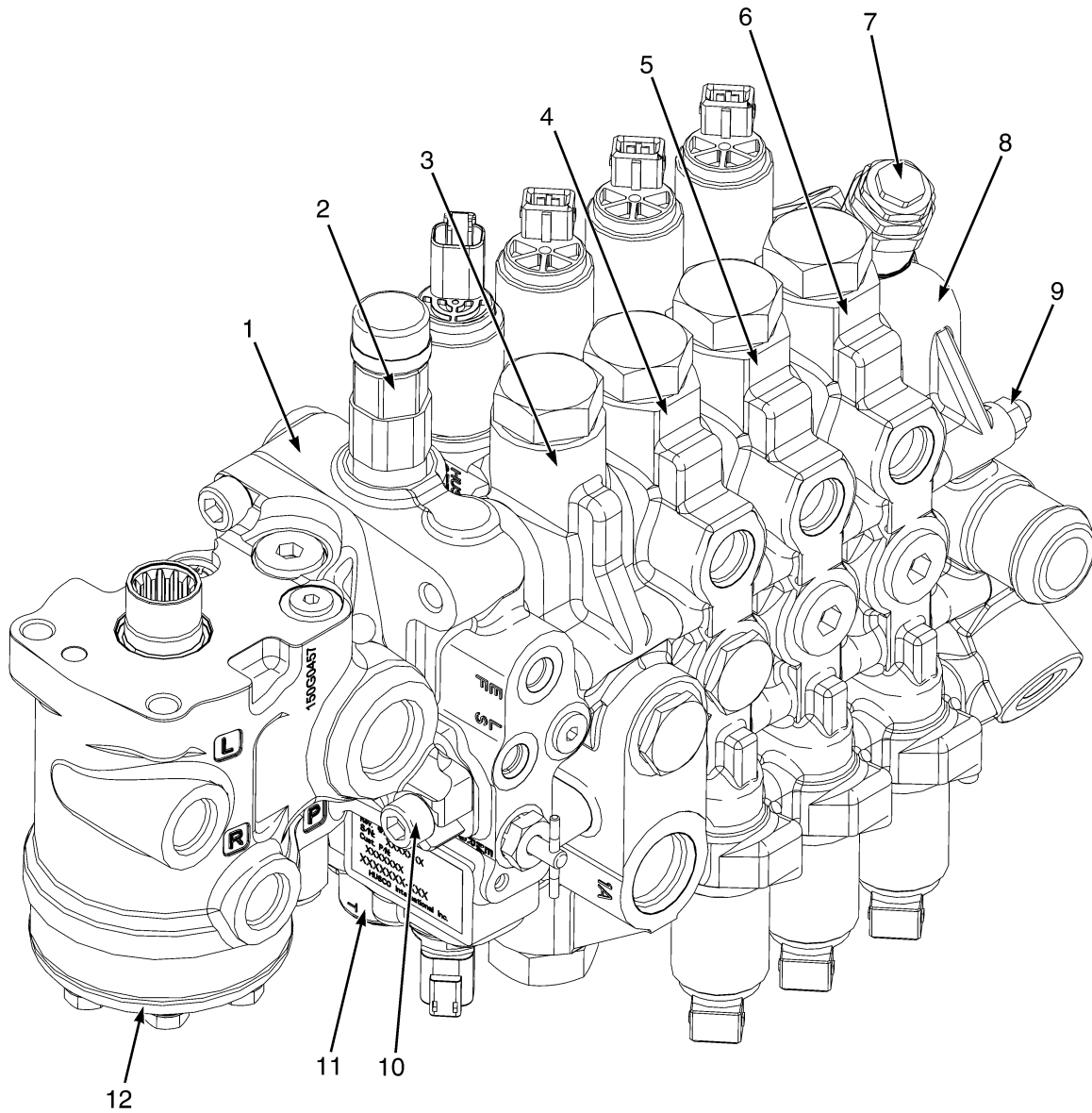
HYDRAULIC CONTROL VALVE (MANUAL) (FIGURE 10-20) OUTLET SECTION — THREE AND FOUR FUNCTION (4/2014 →)



BP140079

ITEM	PART NO.	DESCRIPTION	QTY
1	1578746	Valve Section (Outlet Section)	1
2	1580155	Kit-Tie Rod (Three Function)	1
2	1580156	Kit-Tie Rod (Four Function)	1
2	15055	Nut	4
3	1578707	Relief Valve (Secondary) (15.5 MPa)	1
4	Nut	1
5	Screw	1
6	Washer	1
7	Poppet	1
8	Plug	1
9	1580097	Kit-Seal and Spring	1

CONTROL VALVE ASSEMBLY (FIGURE 10-21) ELECTRONIC CONTROL — THREE AND FOUR FUNCTION-WITH VARIABLE DISPLACEMENT PUMP



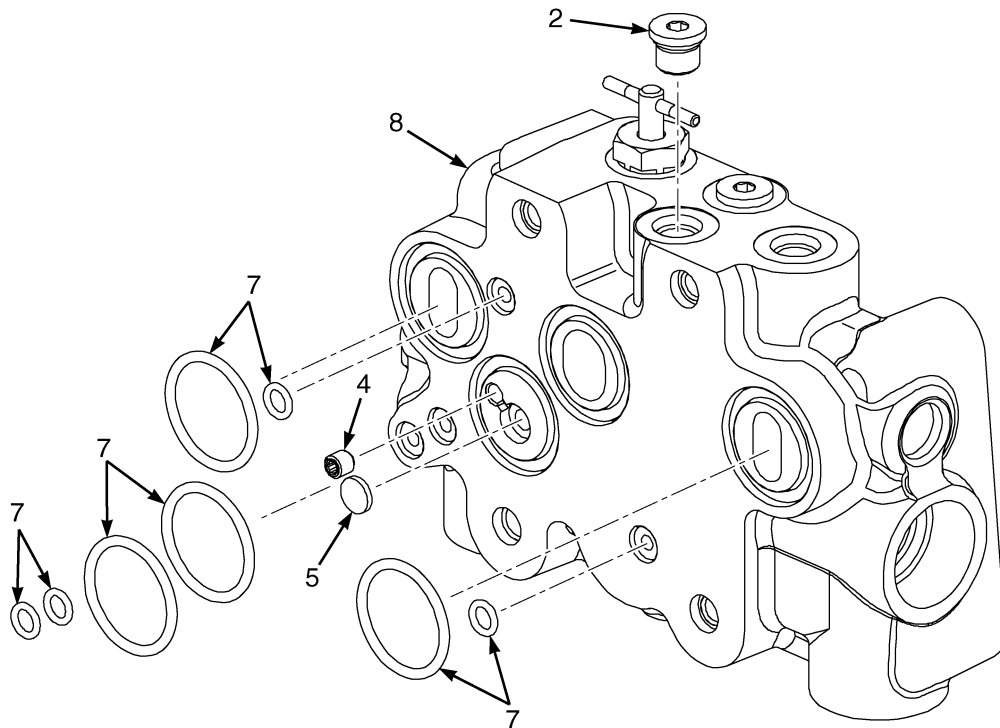
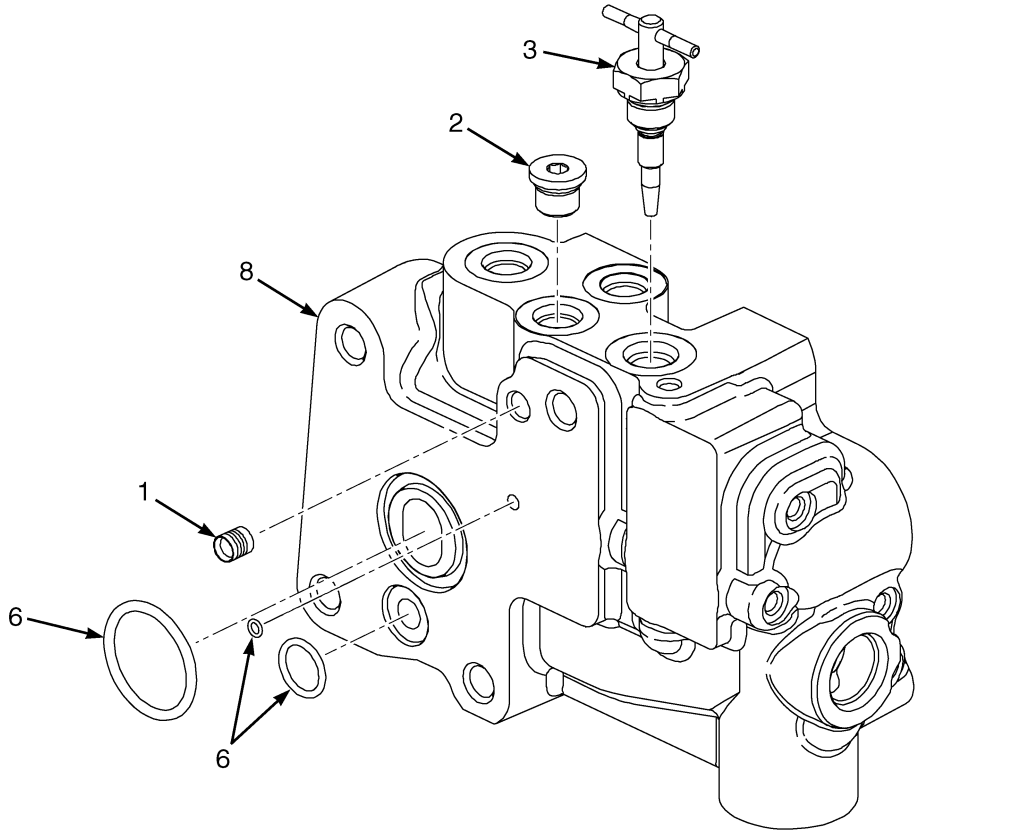
BP140206

CONTROL VALVE ASSEMBLY**ELECTRONIC CONTROL – THREE AND FOUR FUNCTION-WITH VARIABLE DISPLACEMENT PUMP****KEY:****A: 3 Function****B: 4 Function**

ITEM	PART NO.	DESCRIPTION	QTY	
			A	B
	4614581	Hydraulic Control Valve (4.0T)	1	..
	4614582	Hydraulic Control Valve (4.0T)	1
	4604780	Hydraulic Control Valve (4.5-5.5T)	1	..
	4604781	Hydraulic Control Valve (4.5-5.5T)	1
	4614583	Hydraulic Control Valve (4.0T)	1	..
	4614584	Hydraulic Control Valve (4.0T)	1
	4605236	Hydraulic Control Valve (4.5-5.5T)	1	..
	4605237	Hydraulic Control Valve (4.5-5.5T)	1
	4031377	Kit-Seal (Valve Master Seal Kit)	1	..
	4031378	Kit-Seal (Valve Master Seal Kit)	1
1	4031384	Valve Section (Transition) (☞Figure 10-22).....	1	1
2	4031502	Relief Valve (Main) (23.7 MPa)	1	1
2	4031372	Kit-Relief Valve	1	1
3	4031501	Valve Section (Lift) (☞Figure 10-23).....	1	1
4	4031500	Valve Section (Tilt) (☞Figure 10-24).....	1	1
5	4031499	Valve Section (Auxiliary One) (☞Figure 10-25).....	1	1
6	4031527	Valve Section (Auxiliary Two) (☞Figure 10-26).....	..	1
7	1578707	Relief Valve (Secondary) (15.5 MPa)	1	1
7	1580131	Kit-Seal and Spring	1	1
8	4031498	Valve Section (Outlet) (☞Figure 10-27).....	1	1
9	4031370	Kit-Tie Rod (☞Figure 10-27).....	1	..
9	4031371	Kit-Tie Rod (☞Figure 10-27).....	..	1
10	1581858	Kit-Capscrew	1	1
10	1629155	Washer	2	2
10	Capscrew	2	2
11	1569602	Plug	1	1
12	4608006	Steering Control Unit (☞Figure 8-6).....	1	1
12	1579908	Kit-Seal (Steering Control Unit)	1	1
	a 1578712	Plug Assembly (Diagnostic)	1	1

FOOTNOTES:**a** Not Illustrated

ELECTRONIC CONTROL VALVE (FIGURE 10-22) TRANSITION SECTION — WITH VARIABLE DISPLACEMENT PUMP

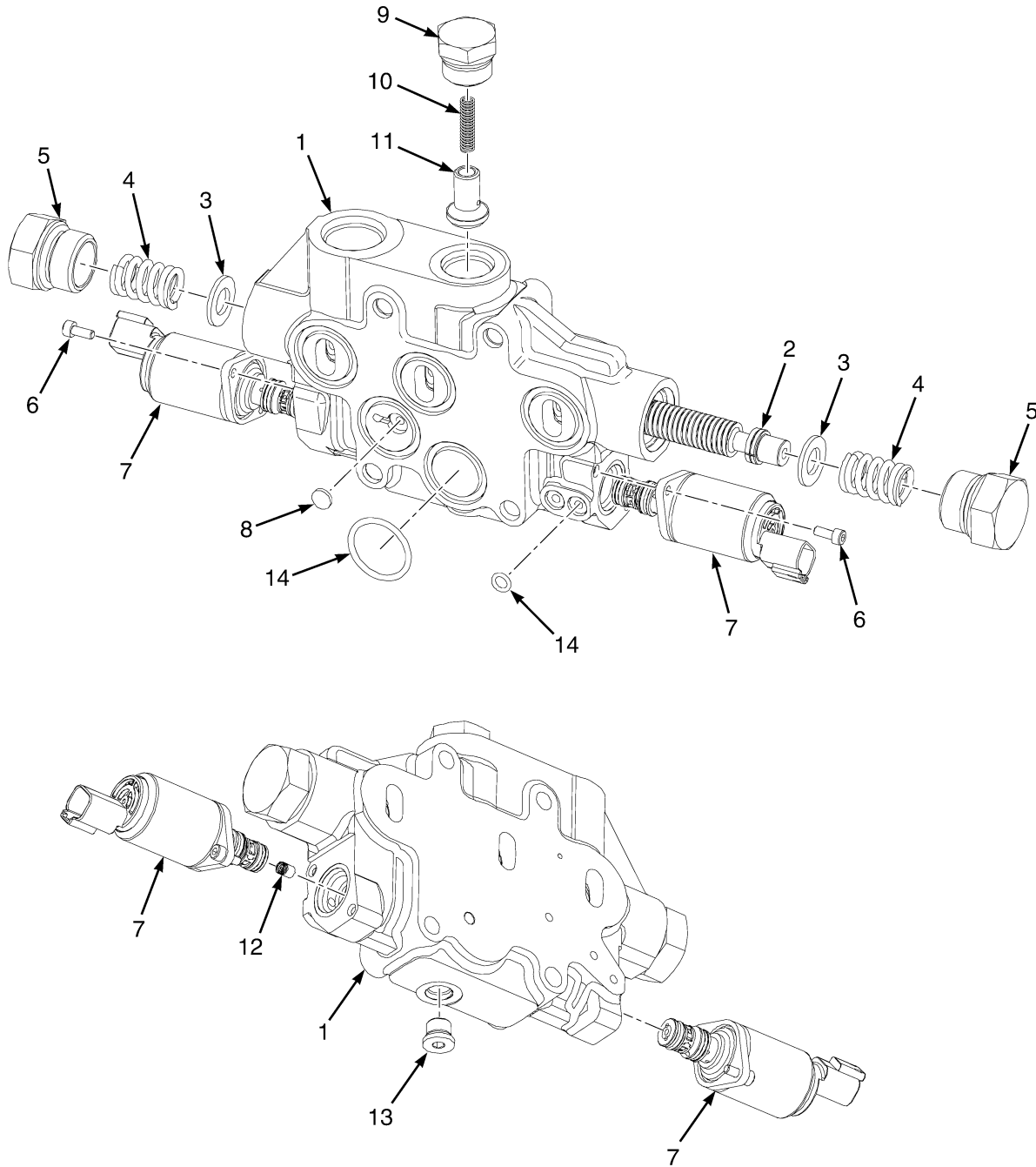


BP140218

**ELECTRONIC CONTROL VALVE
TRANSITION SECTION – WITH VARIABLE DISPLACEMENT PUMP**

ITEM	PART NO.	DESCRIPTION	QTY
	4031384	Valve Section (Transition)	1
1	1371250	Plug	1
2	1578712	Plug Assembly	2
2	204128	Plug	1
3	1581862	Kit-Valve (Manual Lowering)	1
3	1658142	Valve	1
4	1578888	Setscrew	1
5	1578875	Shuttle Valve	1
6	4031373	Kit-Seal (Valve to Steering Control Unit)	1
7	4031374	Kit-Seal (Transition Section)	1
8	Housing	1

ELECTRONIC CONTROL VALVE (FIGURE 10-23) LIFT SECTION — WITH VARIABLE DISPLACEMENT PUMP

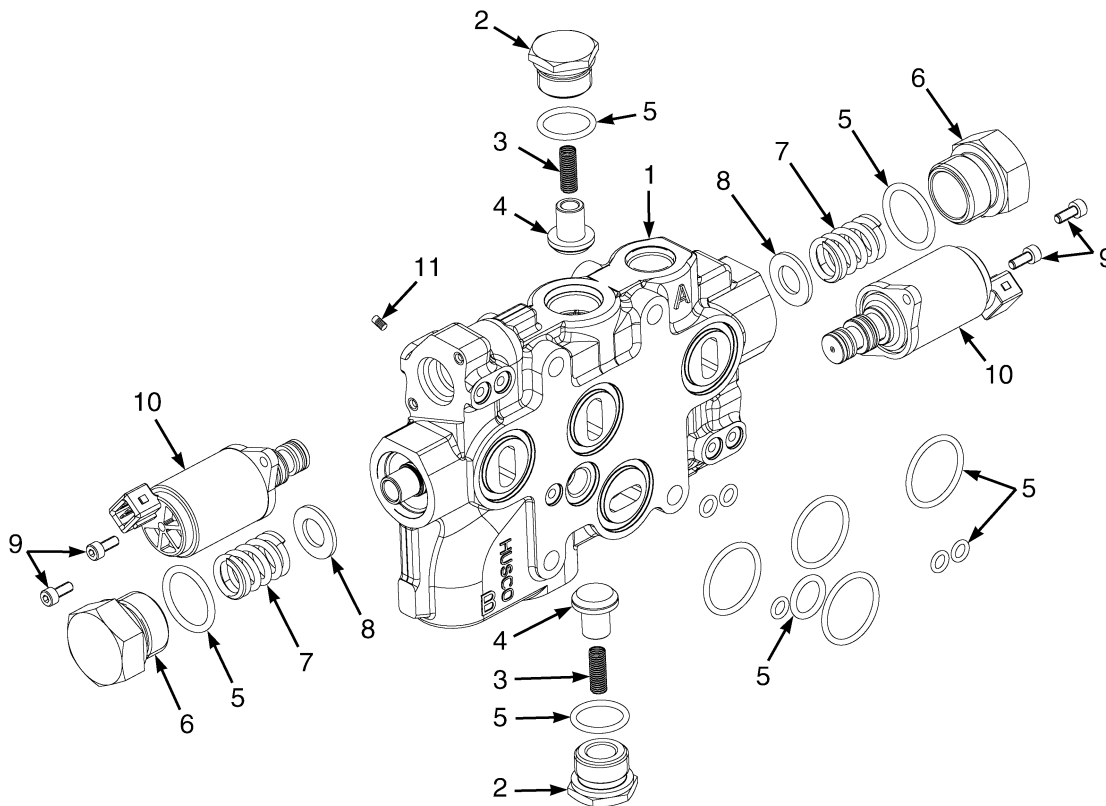


BP140208

**ELECTRONIC CONTROL VALVE
LIFT SECTION – WITH VARIABLE DISPLACEMENT PUMP**

ITEM	PART NO.	DESCRIPTION	QTY
	4031501	Valve Section	1
1	Housing	1
2	Spool	1
3	1578883	Washer	2
4	4031471	Spring	2
5	1578889	Plug	2
6	1664395	Capscrew	4
7	4031472	Solenoid Valve	2
7	1687534	Kit-Seal (Solenoid Pressure Reducing)	2
8	1578875	Shuttle Valve	1
9	1578940	Plug	1
10	77442	Spring	1
11	1578943	Poppet	1
12	4031473	Check Valve	1
13	1578712	Plug Assembly	1
13	204128	Plug	1
14	4031375	Kit-Seal (Lift Section)	1

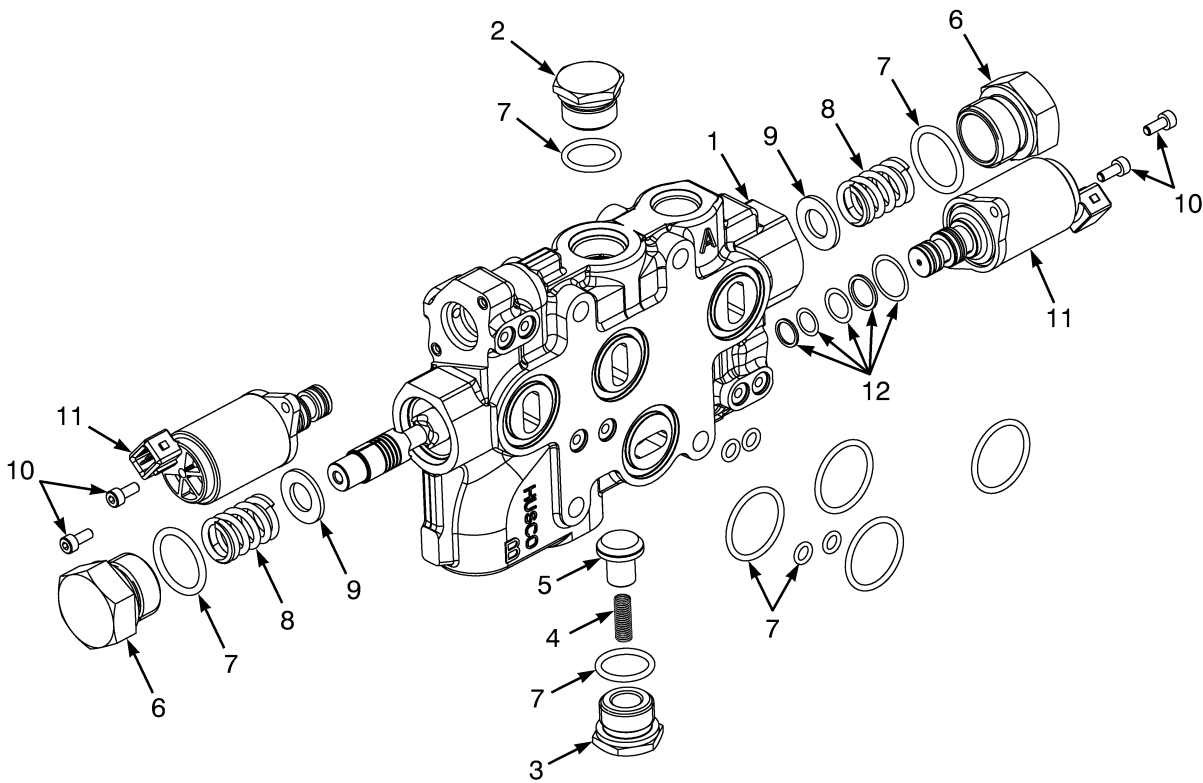
ELECTRONIC CONTROL VALVE (FIGURE 10-24) TILT SECTION — THREE AND FOUR FUNCTION



BM140216

ITEM	PART NO.	DESCRIPTION	QTY
	4031500	Valve Section (Tilt)	1
1	Housing	1
2	1578713	Plug Assembly	2
2	77441	Plug	1
3	77442	Spring	2
4	77443	Poppet	2
5	1578905	Kit-Seal (Tilt)	1
6	1578889	Plug	2
7	1578882	Spring	2
8	1578883	Washer	2
9	1664395	Capscrew	4
10	1578711	Valve (Pressure Reducing)	2
10	1687534	Kit-Seal (Solenoid Pressure Reducing)	2
11	1578887	Setscrew	1

ELECTRONIC CONTROL VALVE (FIGURE 10-25) AUXILIARY ONE SECTION — THREE AND FOUR FUNCTION

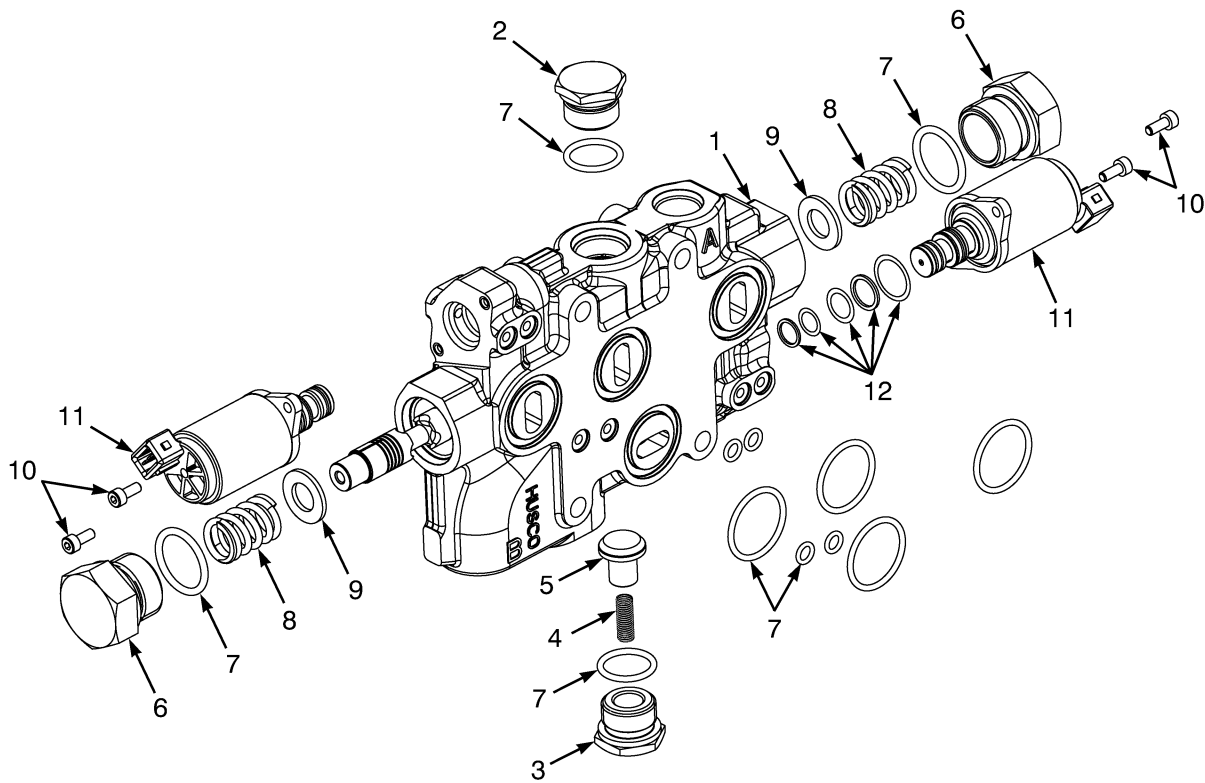


BP140153

**ELECTRONIC CONTROL VALVE
AUXILIARY ONE SECTION – THREE AND FOUR FUNCTION**

ITEM	PART NO.	DESCRIPTION	QTY
	4031499	Valve Section (Auxiliary One)	1
1	Housing	1
2	4031469	Plug Assembly	1
3	1578713	Plug Assembly	1
3	77441	Plug	1
4	77442	Spring	1
5	77443	Poppet	1
6	1578889	Plug	2
7	1578906	Kit-Seal (Auxiliary Section)	1
8	1578882	Spring	2
9	1578883	Washer	2
10	1664395	Capscrew	4
11	1578711	Valve (Pressure Reducing)	2
12	1687534	Kit-Seal (Solenoid Pressure Reducing)	2

ELECTRONIC CONTROL VALVE (FIGURE 10-26) AUXILIARY TWO SECTION — FOUR FUNCTION

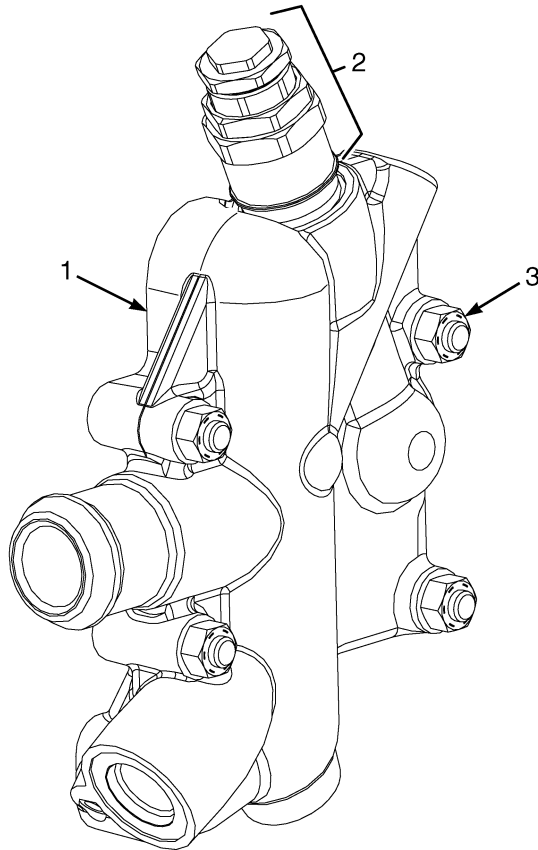


BP140153

**ELECTRONIC CONTROL VALVE
AUXILIARY TWO SECTION – FOUR FUNCTION**

ITEM	PART NO.	DESCRIPTION	QTY
	4031527	Valve Section (Auxiliary Two)	1
1	Housing	1
2	1578714	Plug Assembly	1
3	1578713	Plug Assembly	1
3	77441	Plug	1
4	77442	Spring	2
5	77443	Poppet	2
6	1578889	Plug	1
7	1578906	Kit-Seal (Auxiliary Section)	1
8	1578882	Spring	2
9	1578883	Washer	2
10	1664395	Capscrew	4
11	1578711	Valve (Pressure Reducing)	2
12	1687534	Kit-Seal (Solenoid Pressure Reducing)	2

ELECTRONIC CONTROL VALVE (FIGURE 10-27) OUTLET SECTION — THREE AND FOUR FUNCTION



BM140217

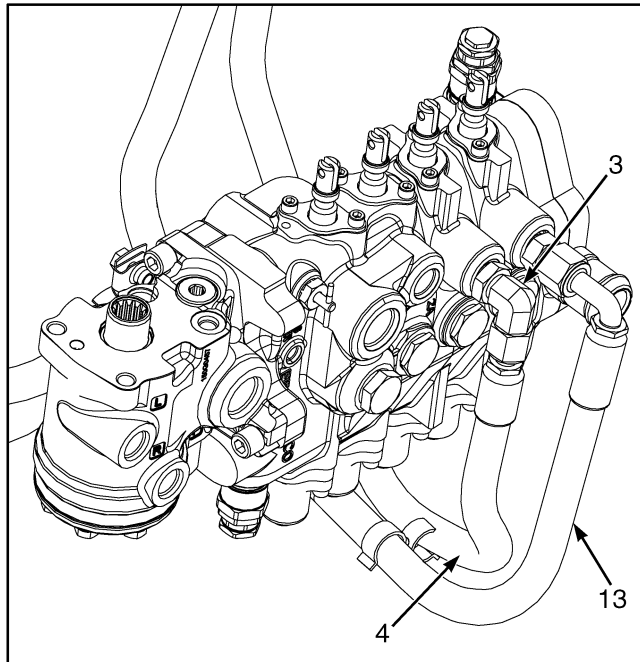
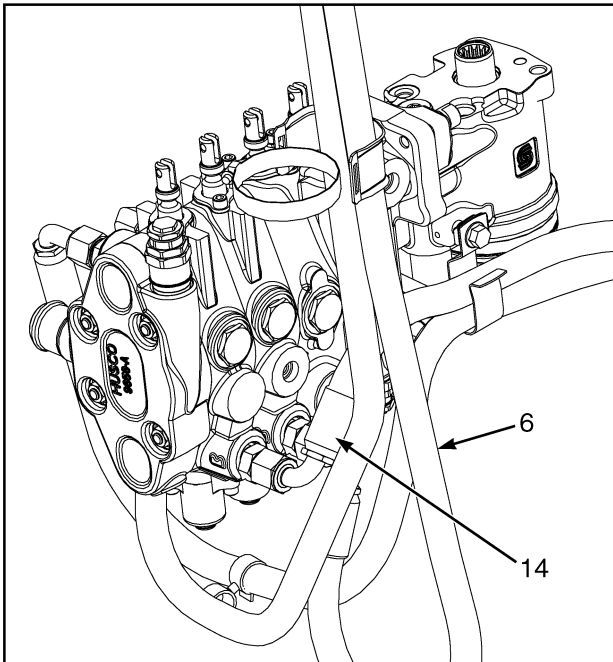
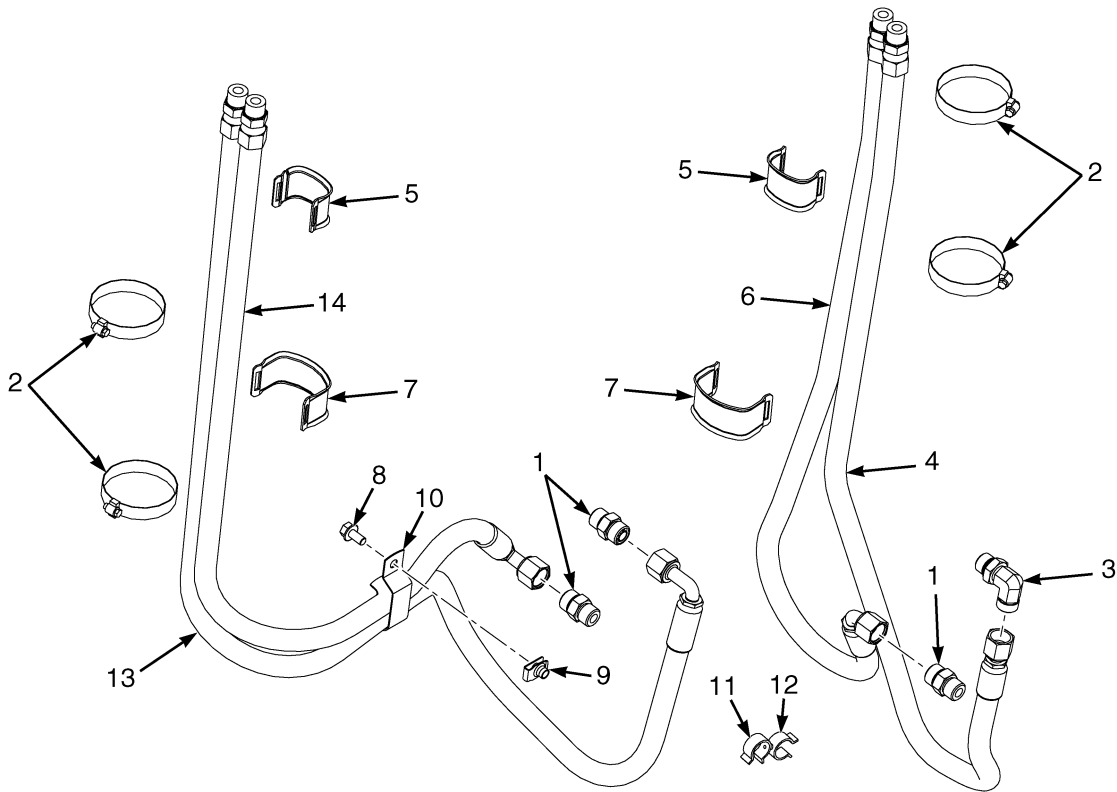
KEY:

A: Three Function

B: Four Function

ITEM	PART NO.	DESCRIPTION	QTY	
			A	B
1	4031498	Valve Section (Outlet)	1	1
1	4031376	Kit-Seal (Outlet Section)	1	1
2	1578707	Relief Valve (Secondary) (15.5 MPa)	1	1
2	1580131	Kit-Seal and Spring	1	1
3	4031370	Kit-Tie Rod	1	..
3	4031371	Kit-Tie Rod	1
3	15055	Nut	3	3
3	188534	Nut	1	1

AUXILIARY HOSES (FIGURE 10-28)

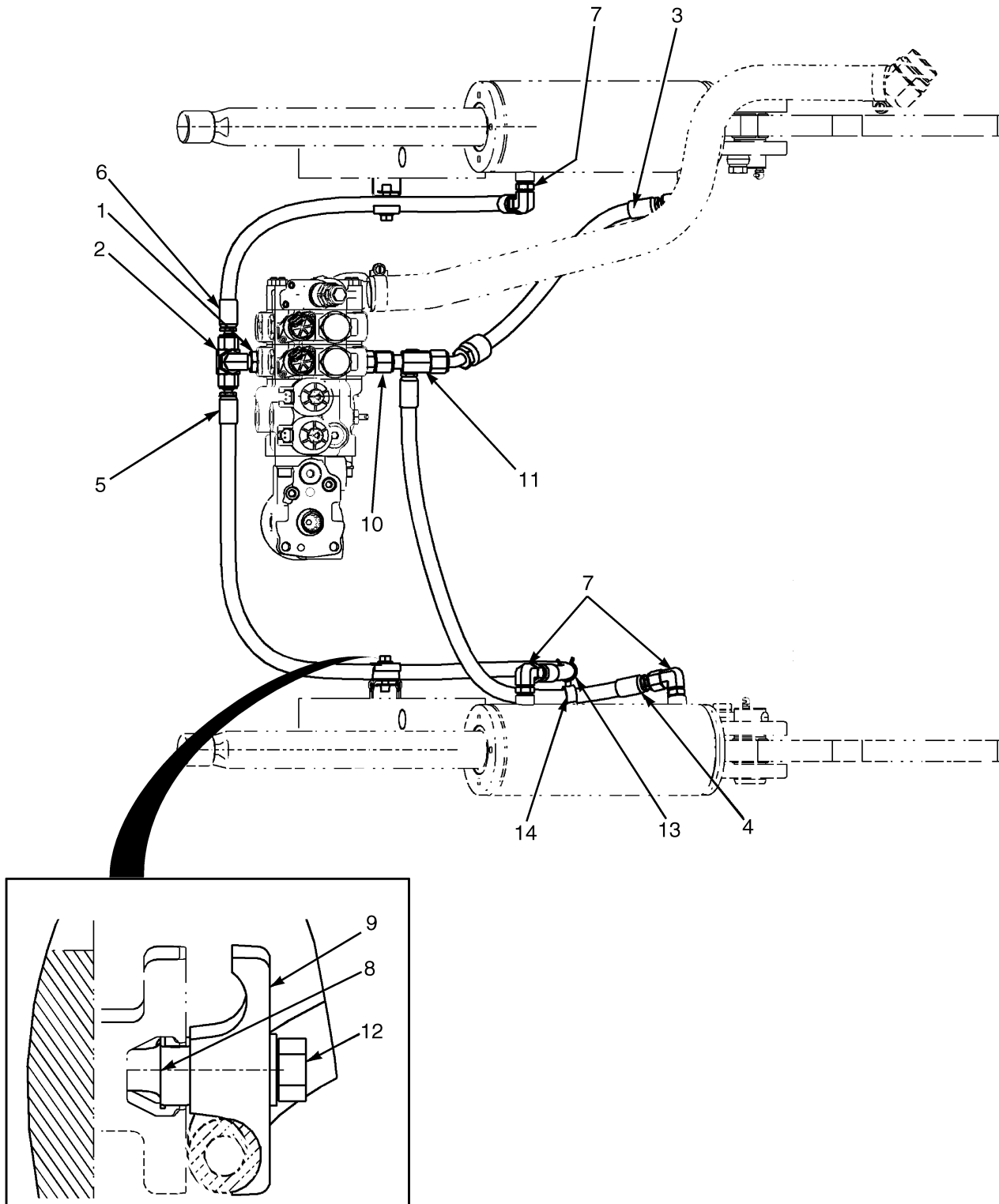


BP140228

AUXILIARY HOSES**KEY:****A: Third Function****B: Fourth Function**

ITEM	PART NO.	DESCRIPTION	QTY	
			A	B
1	1473887	Fitting	1	3
1	265731	O-Ring	1	1
2	1617658	Clamp	2	4
3	1473897	Fitting	1	1
4	2104429	Hose Assy	1	1
5	1502809	Hose Clamp	1	2
6	4614655	Hose Assy	1	1
7	1465489	Hose Clamp	1	2
8	4109993			
	1527879	Capscrew	1
9	1480237	Nut	1
10	1544157	Clip (Hose Retention)	1
11	1502053	Clamp (Swivel)	1
12	1502066	Clamp (Swivel)	1
13	2084867	Hose Assy	1
14	2086157	Hose Assy	1
15	Control Valve Assembly (☞Figure 10-13, ☞Figure 10-22).....	1	1

TILT HOSES (FIGURE 10-29)

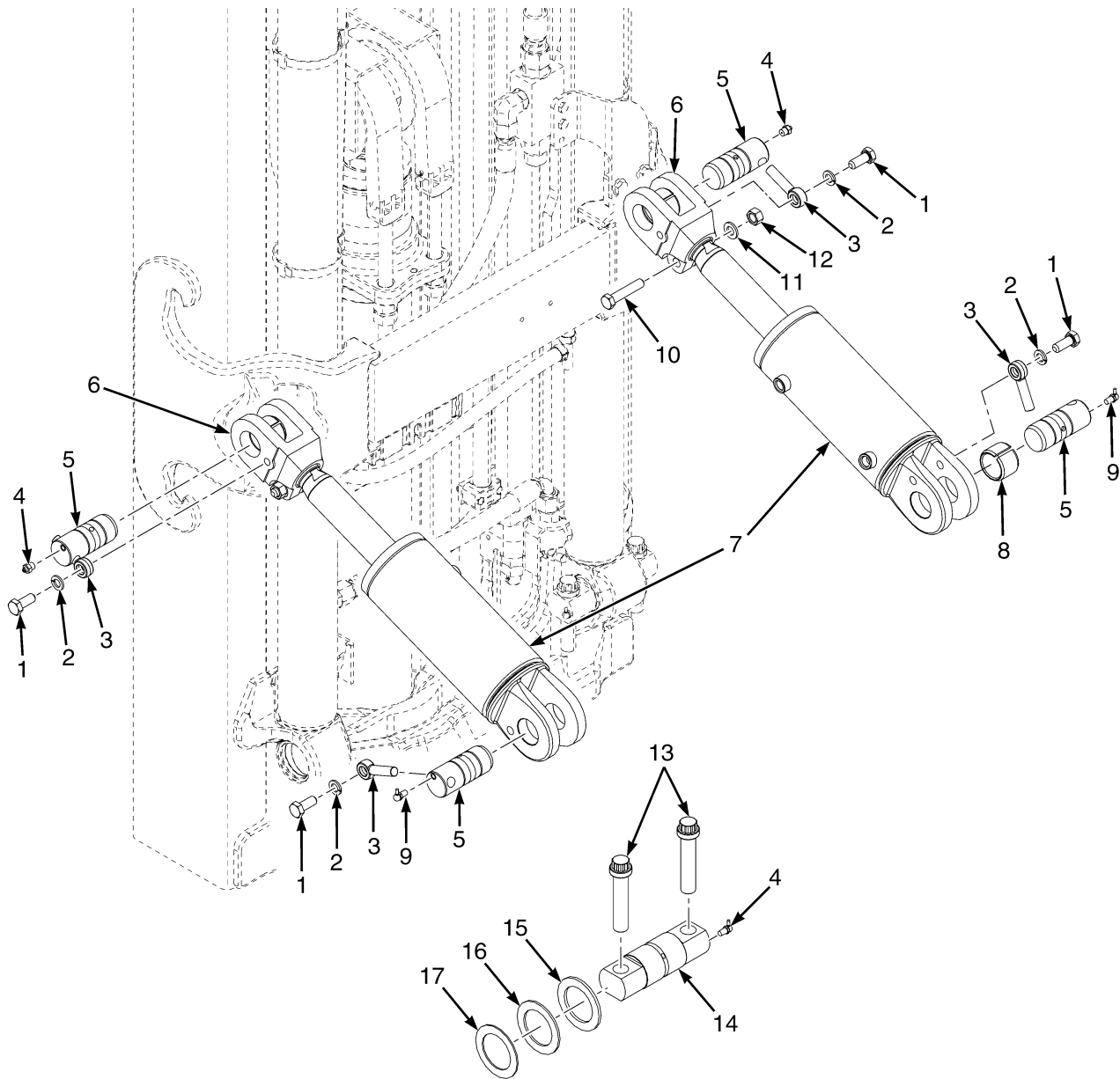


BP150289

TILT HOSES

ITEM	PART NO.	DESCRIPTION	QTY
1	1487061	Fitting	1
1	265787	O-Ring	1
1	16484	O-Ring	1
2	1487097	Fitting	1
3	2103985	Hose Assy	1
4	4622423	Hose Assy	1
5	4604826	Hose Assy	1
6	2088913	Hose Assy	1
7	1487063	Fitting	4
7	265787	O-Ring	1
7	16483	O-Ring	1
8	1480237	Nut	2
9	1605479	Hose Clamp (Dual Hose)	2
10	1473887	Fitting	1
10	265731	O-Ring	1
10	16484	O-Ring	1
11	1487095	Fitting	1
12	1586627	Capscrew	2
13	1502066	Clamp (Swivel)	1
14	1502059	Clamp (Swivel)	1

TILT CYLINDER AND MAST INSTALLATION (FIGURE 10-30)



BP230009

TILT CYLINDER AND MAST INSTALLATION

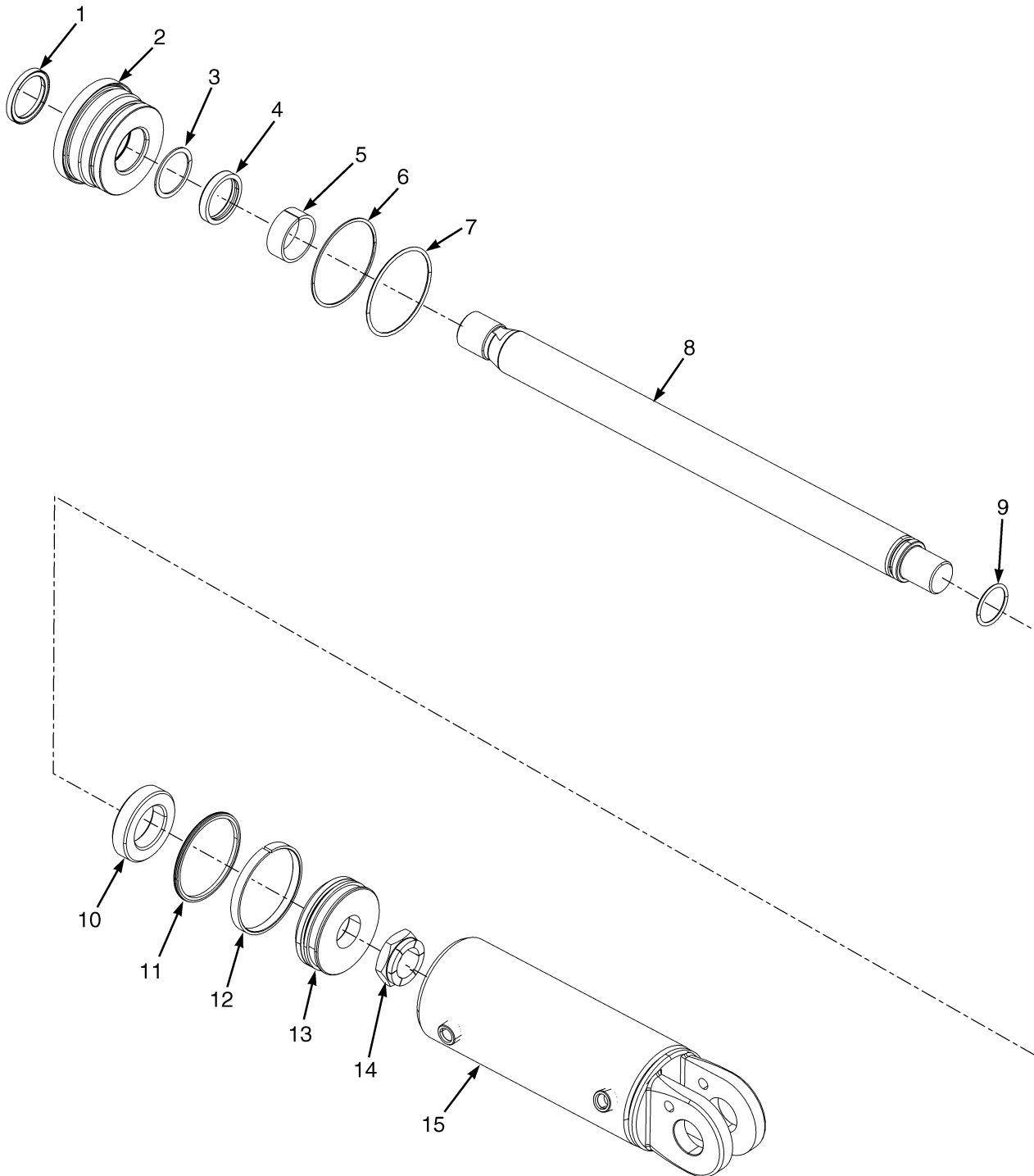
ITEM	PART NO.	DESCRIPTION	QTY
1	1615240	Capscrew	4
2	1581564	Lockwasher	4
3	241079	Anchor	4
4	16015	Grease Fitting	4
5	1570303	Pin	4
6	bcd 1566792	Rod End	2
6	a 1578545	Rod End	2
7	Tilt Cylinder (☞ Figure 10-31).....	2
8	192429	Bushing	2
9	16001	Grease Fitting	2
10	1597381	Capscrew	2
11	1581852	Washer	2
12	1581848	Nut	2
13	1646441	Capscrew	4
14	1599316	Pin	2
15	1670900	Shim	1
16	1670901	Shim	1
17	1670902	Shim	1

FOOTNOTES:

a 12° Forward/6° Back
b 6° Forward/10° Back

c 6° Forward/5° Back
d 6° Forward/6° Back

TILT CYLINDERS (FIGURE 10-31)



BP150166

TILT CYLINDERS

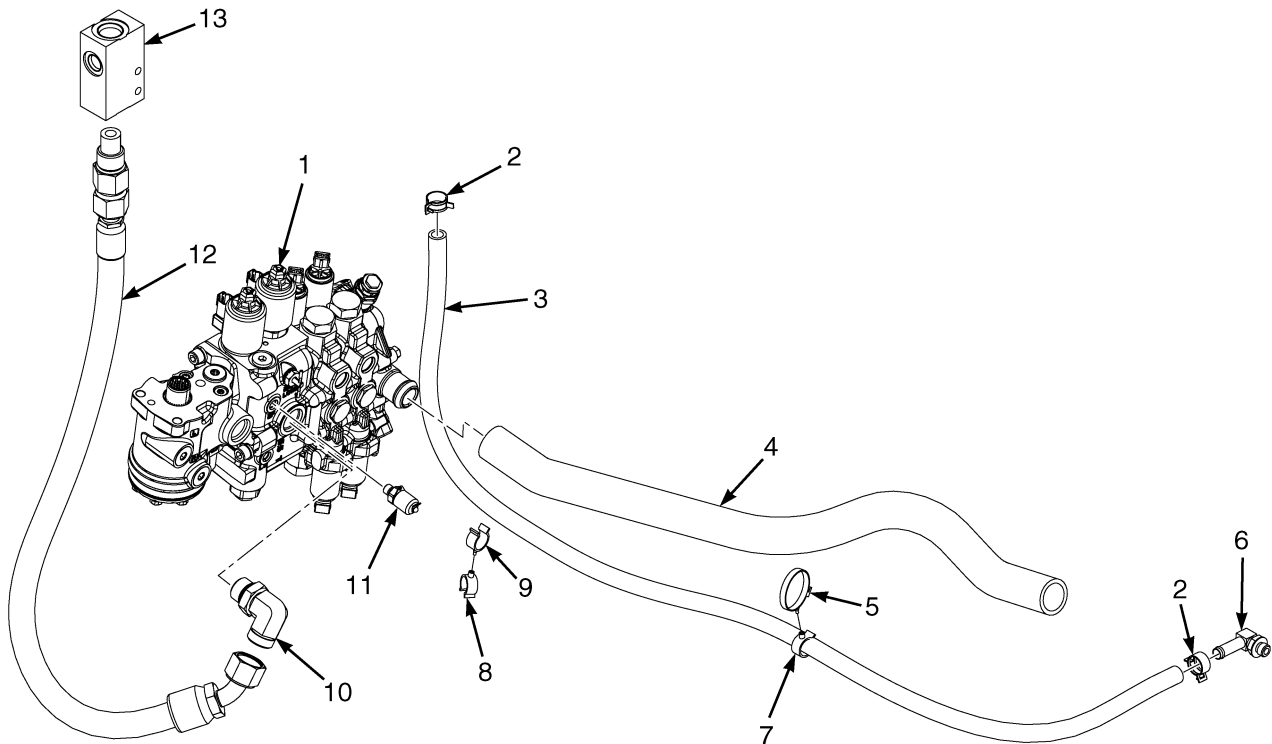
ITEM	PART NO.	DESCRIPTION	QTY
	b 2085566	Tilt Cylinder	2
	d 2081138	Tilt Cylinder	2
	ae 2081137	Tilt Cylinder	2
	c 2094938	Tilt Cylinder	2
1	193554	Rod Wiper	1
2	1380878	Gland	1
3	638248	Back-Up Ring	1
4	1381085	Rod Seal	1
5	334155	Wear Ring	1
6	270330	Back-Up Ring	1
7	46629	O-Ring	1
8	d 2035318	Cylinder Rod	1
8	a 2035316	Cylinder Rod	1
8	b 2035317	Cylinder Rod	1
8	c 2062535	Cylinder Rod	1
9	199917	O-Ring	1
10	b 1313196	Spacer	1
10	d 1383031	Spacer	1
10	c 1551303	Spacer	1
11	2044372	Piston Seal	1
12	352287	Wear Ring	1
13	352247	Piston	1
14	2036547	Locknut	1
15	2082190	Tube Wldmt-Cylinder	1
15	1493306	Kit-Seal	1

FOOTNOTES:

- a** 12° Forward/6° Back
b 6° Forward/10° Back
c 6° Forward/5° Back

- d** 6° Forward/6° Back
e Spacer is not required for this application

VENT LINE GROUP (FIGURE 10-32) WITH STANDARD CONTROL VALVE

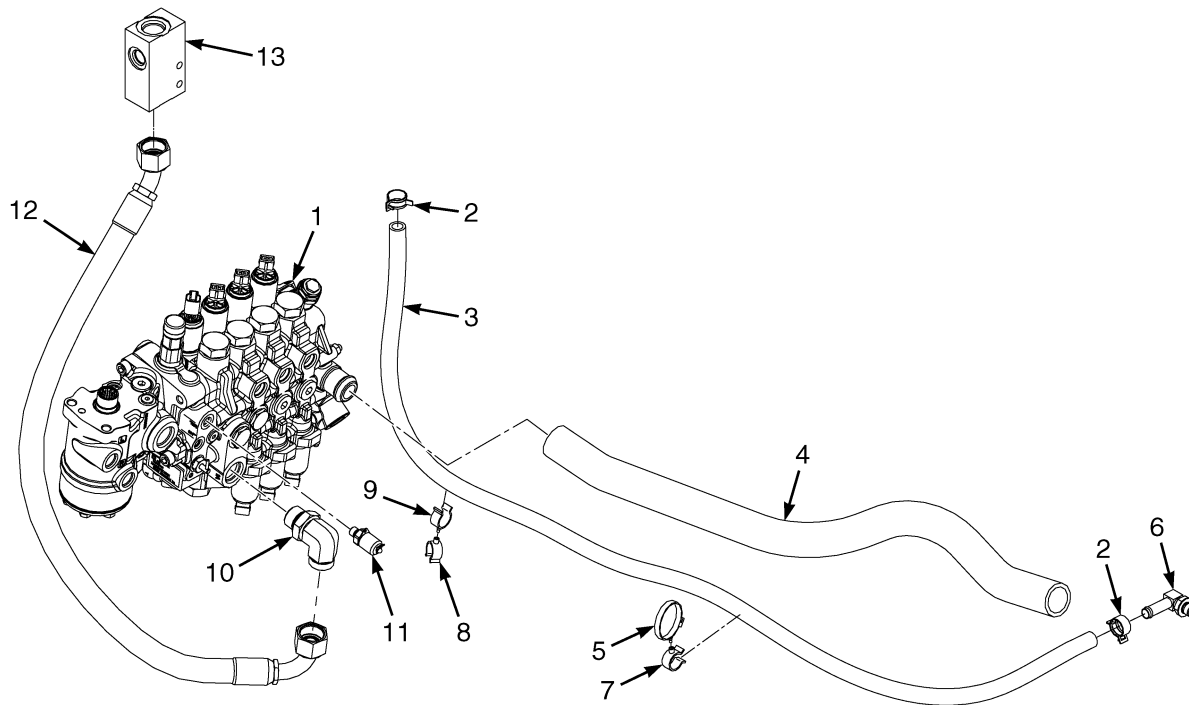


BP150240

**VENT LINE GROUP
WITH STANDARD CONTROL VALVE**

ITEM	PART NO.	DESCRIPTION	QTY
1	Hydraulic Control Valve (☞Figure 10-13, ☞Figure 10-17).....	1
2	1502007	Hose Clamp	2
3	1399086	Hose Assy	1
4	2105639	Hose Assy (Return)	1
5	1502061	Clamp	1
6	110178	Fitting (Two Stage Limited Free-Lift and Three Stage Full Free-Lift)	1
6	1579809 222443	Fitting (Two Stage Full Free-Lift and No Mast)	1
7	1502053	Clamp (Swivel)	1
8	1502059	Clamp (Swivel)	1
9	1502066	Clamp (Swivel)	1
10	1473898	Fitting	1
10	1648259	Fitting (Load Weight Display)	1
11	2061646	Fitting (Diagnostic)	1
12	2076763	Hose Assy (Hoist)	1
13	1550197	Lowering Control Valve H4.0FT5/H4.0FT6/H4.5FTS5/H4.5FT6	1
13	1550198	Lowering Control Valve (H5.0-5.5FT)	1

VENT LINE GROUP (FIGURE 10-33) WITH VARIABLE DISPLACEMENT CONTROL VALVE



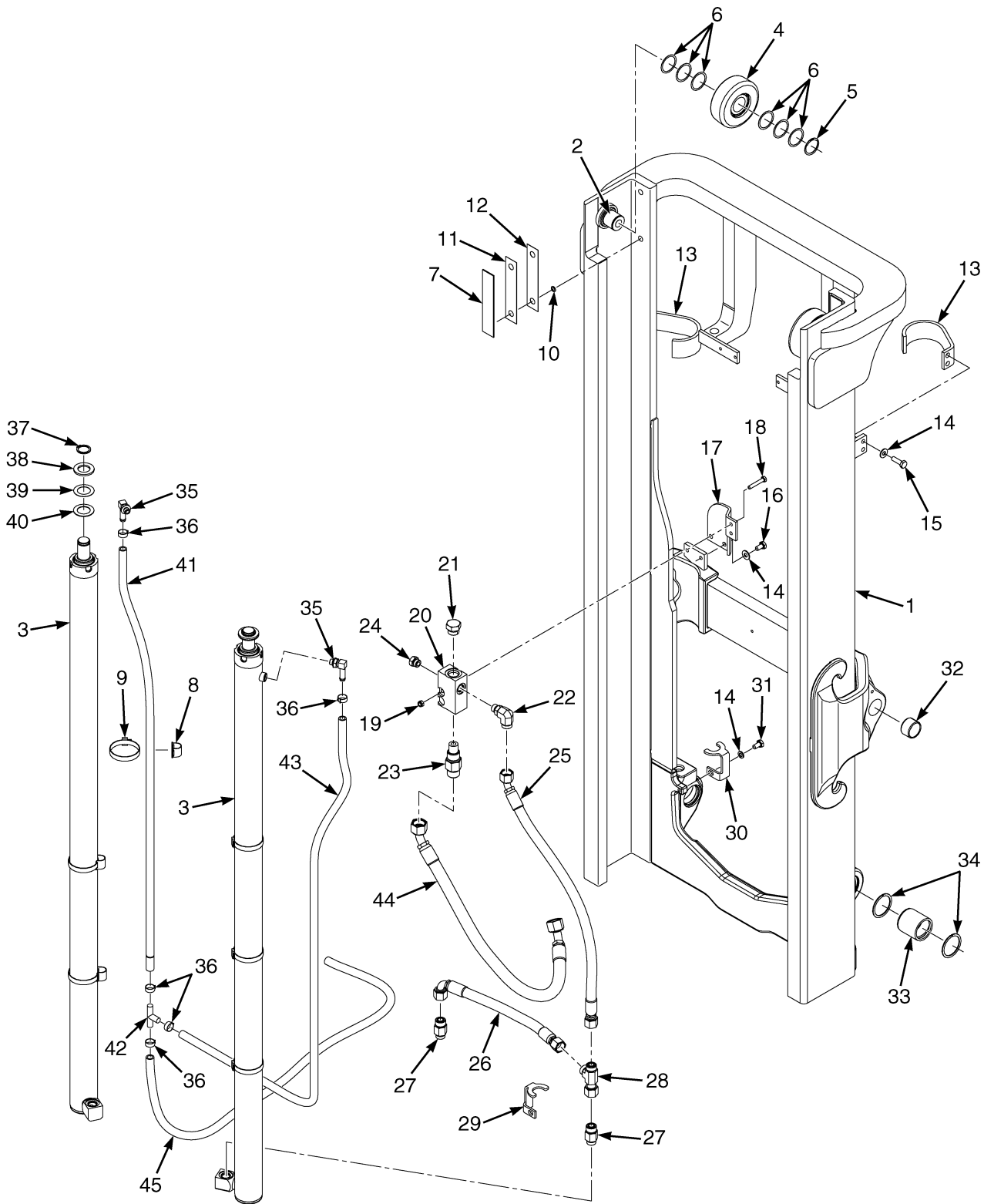
BP150683

ITEM	PART NO.	DESCRIPTION	QTY
1	Hydraulic Control Valve	1
2	1502007	Hose Clamp	2
3	1399086	Hose Assy	1
4	2105639	Hose Assy (Return)	1
5	1502061	Clamp	1
6	110178	Fitting (Two Stage Limited Free-Lift and Three Stage Full Free-Lift)	1
6	4579809	Fitting (Two Stage Full Free-Lift and No Mast)	1
7	1502053	Clamp (Swivel)	1
8	1502059	Clamp (Swivel)	1
9	1502066	Clamp (Swivel)	1
10	1473898	Fitting	1
10	1648259	Fitting (Load Weight Display)	1
11	2061646	Fitting (Diagnostic)	1
12	4627627	Hose Assy (Hoist)	1
13	1550197	Lowering Control Valve H4.0FT5/H4.0FT6/H4.5FTS5/H4.5FT6	1
13	1550198	Lowering Control Valve (H5.0-5.5FT)	1

SECTION 11
MAST-TWO STAGE LIMITED FREE-LIFT

DESCRIPTION	PAGE
ATTACHMENT CARRIAGE	
TWO STAGE LIMITED FREE-LIFT - H4.5FT	11-18
HEADER HOSE	
TWO STAGE LIMITED FREE LIFT	11-20
HEADER HOSE AUXILIARY TUBE EXTENSIONS WITH QUICK DISCONNECTS	
TWO STAGE LIMITED FREE-LIFT - STANDARD CARRIAGE	11-26
TWO STAGE LIMITED FREE-LIFT - ATTACHMENT CARRIAGE	11-32
HEADER HOSE AUXILIARY TUBE EXTENSIONS WITHOUT QUICK DISCONNECTS	
TWO STAGE LIMITED FREE LIFT - STANDARD CARRIAGE	11-24
TWO STAGE LIMITED FREE-LIFT - ATTACHMENT CARRIAGE	11-30
MAST	
TWO STAGE LIMITED FREE LIFT - OUTER MAST AND MAIN LIFT	11-2
TWO STAGE LIMITED FREE LIFT - INNER MAST	11-6
TWO STAGE LIMITED FREE LIFT - MAIN LIFT CYLINDER (H4.0FT5, H4.0FT6)	11-10
TWO STAGE LIMITED FREE LIFT - MAIN LIFT CYLINDER (H4.5-5.5FT)	11-12
STANDARD CARRIAGE	
TWO STAGE LIMITED FREE LIFT	11-16

MAST (FIGURE 11-1) TWO STAGE LIMITED FREE LIFT — OUTER MAST AND MAIN LIFT



BP290107

MAST
TWO STAGE LIMITED FREE LIFT – OUTER MAST AND MAIN LIFT
H4.0FT5, H4.0FT6

ITEM	DESCRIPTION 1 2 3 4	LIFT HEIGHT TO BOTTOM OF FORKS			
		3000 mm (118.1 in.)	3600 mm (141.7 in.)	4200 mm (165.4 in.)	4900 mm (192.9 in.)
		Mast Group Number	B749 3000	B749 3600	B749 4200
	Mast Assy	2071745	2071750	2071756	2071763
1	Outer Mast	1573127	1573133	1573139	1573146
41	Hose Assy	1399081	1399093	1399105	1399142
43	Hose Assy	1399100	1399112	1399124	1399123

H4.5FTS5, H4.5FT6, H5.0FT, H5.5FT

ITEM	DESCRIPTION 1 2 3 4	LIFT HEIGHT TO BOTTOM OF FORKS			
		2740 mm (107.9 in.)	3340 mm (131.5 in.)	3940 mm (155.1 in.)	4640 mm (182.7 in.)
		Mast Group Number	B750 2740	B750 3340	B750 3940
	Mast Assy	2071818	2071824	2071830	2071837
1	Outer Mast	1573127	1573133	1573139	1573146
41	Hose Assy	78561	1399088	1399100	1399137
43	Hose Assy	1399095	1399107	1399119	1399118

H4.5FTS5, H4.5FT6, H5.0FT, H5.5FT

ITEM	DESCRIPTION 1 2 3 4	LIFT HEIGHT TO BOTTOM OF FORKS	
		5240 mm (206.3 in.)	5840 mm (229.9 in.)
		Mast Group Number	B750 5240
	Mast Assy	2071843	2071849
1	Outer Mast	1573152	1573158
41	Hose Assy	1399153	1399169
43	Hose Assy	1399134	1399150

KEY:

A: H4.0FT5, H4.0FT6,

B: H4.5FTS5, H4.5FT6, H5.0FT, H5.5FT

ITEM	PART NO.	DESCRIPTION	QTY	
			A	B
	a	Mast Assy	1	1
1	a	Outer Mast	1	1
2	1500744	Stubshaft	2	2
3	Main Lift Cylinder (LH/RH) (☞ Figure 11-3, ☞ Figure 11-4).....	2	2

MAST TWO STAGE LIMITED FREE LIFT – OUTER MAST AND MAIN LIFT

KEY:

A: H4.0FT5, H4.0FT6,

B: H4.5FTS5, H4.5FT6, H5.0FT, H5.5FT

ITEM	PART NO.	DESCRIPTION	QTY	
			A	B
4	1399203	Load Roller ("A") (126.75/126.49)	2	2
4	1399204	Load Roller ("B") (127.51/127.25)	2	2
4	1399205	Load Roller ("C") (128.27/128.01)	2	2
5	1465072	Snap Ring	2	2
6	126765	Shim	12	12
7	104264	Wear Strip	2	2
8	1465585	Hose Clamp	6	6
9	1360529	Clamp	6	6
10	104506	O-Ring	4	4
11	161272	Shim (0.178 mm)	AR	AR
12	161273	Shim (0.508 mm)	AR	AR
13	4104235	Bracket (Cylinder Restraint)	2	2
13	1474399	Bracket Wldmt	1	1
13	4104236	Bracket (Cylinder Restraint) (Optional)	2	2
13	1474398	Bracket Wldmt (Optional)	1	1
13	4058158	Rubber Pad	2	2
14	1581558	Washer	8	8
15	1581588	Capscrew	4	4
16	1581585	Capscrew	2	2
17	1477559	Bracket	1	1
18	1581583	Capscrew	2	2
19	1581566	Nut	2	2
20	1388019	Housing	1	1
21	14603	Plug	1	1
22	1487068	Fitting	1	1
22	252729	O-Ring	1	1
22	16484	O-Ring	1	1
23	1550197	Lowering Control Valve	1	..
23	1550198	Lowering Control Valve	1
23	16982	O-Ring	1	1
23	280154	O-Ring	1	1
24	14595	Plug Assembly	1	1
24	199524	Plug	1	1
24	16484	O-Ring	1	1
25	4627873	Hose Assy	1	1
26	4604938	Hose Assy	1	1
27	1550157	Hyd Velocity Fuse	2	..
27	1550158	Hyd Velocity Fuse (Lift Cylinder)	2
27	16485	O-Ring	1	1
27	252729	O-Ring	1	1
28	1487096	Fitting	1	1
28	252729	O-Ring	2	2
29	1550384	Bracket (LH)	1	1
30	1550386	Bracket (RH)	1	1
31	1581586	Capscrew	2	2

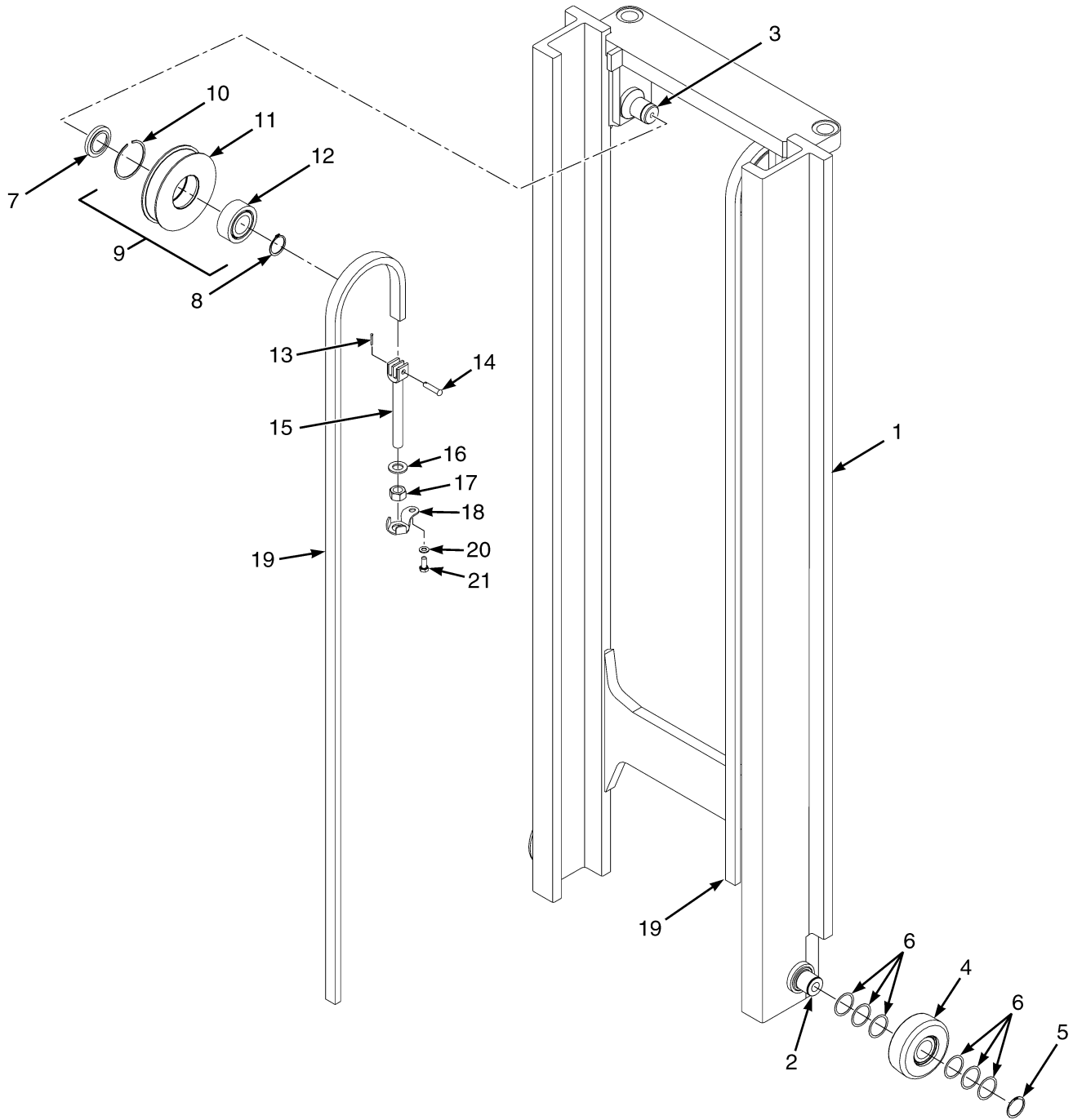
MAST
TWO STAGE LIMITED FREE LIFT – OUTER MAST AND MAIN LIFT

KEY:**A:** H4.0FT5, H4.0FT6,**B:** H4.5FTS5, H4.5FT6, H5.0FT, H5.5FT

ITEM	PART NO.	DESCRIPTION	QTY	
			A	B
32	192429	Bushing	2	2
33	1485449	Bushing	2	2
34	1465518	Snap Ring	4	4
35	110178	Fitting	2	2
35	16483	O-Ring	1	1
36	379405	Clamp	4	4
37	304523	Snap Ring	2	2
38	332061	Washer	2	2
39	142247	Shim	AR	AR
40	1325120	Shim	AR	AR
41	a	Hose Assy	1	1
42	2046871	Fitting	1	1
43	a	Hose Assy	1	1
44	2076763	Hose Assy (Hoist)	1	1
45	1399086	Hose Assy	1	1

FOOTNOTES:**a** Refer to Table

MAST (FIGURE 11-2) TWO STAGE LIMITED FREE LIFT — INNER MAST



BP290124

MAST
TWO STAGE LIMITED FREE LIFT – INNER MAST
H4.0FT5, H4.0FT6

ITEM	DESCRIPTION 1 2 3 4	LIFT HEIGHT TO BOTTOM OF FORKS			
		3000 mm (118.1 in.)	3600 mm (141.7 in.)	4200 mm (165.4 in.)	4900 mm (192.9 in.)
		Mast Group Number	B749 3000	B749 3600	B749 4200
	Mast Assy	2071745	2071750	2071756	2071763
1	Inner Mast	1395384	1395390	1395396	1395403
19	Chain	182342	191072	191076	291256

H4.5FTS5, H4.5FT6, H5.0FT, H5.5FT

ITEM	DESCRIPTION 1 2 3 4	LIFT HEIGHT TO BOTTOM OF FORKS			
		2740 mm (107.9 in.)	3340 mm (131.5 in.)	3940 mm (155.1 in.)	4640 mm (182.7 in.)
		Mast Group Number	B750 2740	B750 3340	B750 3940
	Mast Assy	2071818	2071824	2071830	2071837
1	Inner Mast	1395384	1395390	1395396	1395403
19	Chain	338647	348149	356917	357025

H4.5FTS5, H4.5FT6, H5.0FT, H5.5FT

ITEM	DESCRIPTION 1 2 3 4	LIFT HEIGHT TO BOTTOM OF FORKS	
		5240 mm (206.3 in.)	5840 mm (229.9 in.)
		Mast Group Number	B750 5240
	Mast Assy	2071843	2071849
1	Inner Mast	1395409	1395415
19	Chain	1395492	1395499

KEY:

A: H4.0FTS, H4.0FT6

B: H4.5-5.5FT

ITEM	PART NO.	DESCRIPTION	QTY	
			A	B
	a	Mast Assy	1	1
1	a	Inner Mast	1	1
2	1500744	Stubshaft	2	2
3	1389932	Stubshaft	2	2
4	1399203	Load Roller ("A") (126.75/126.49)	2	2
4	1399204	Load Roller ("B") (127.51/127.25)	2	2
4	1399205	Load Roller ("C") (128.27/128.01)	2	2
5	1465072	Snap Ring	2	2

MAST TWO STAGE LIMITED FREE LIFT – INNER MAST

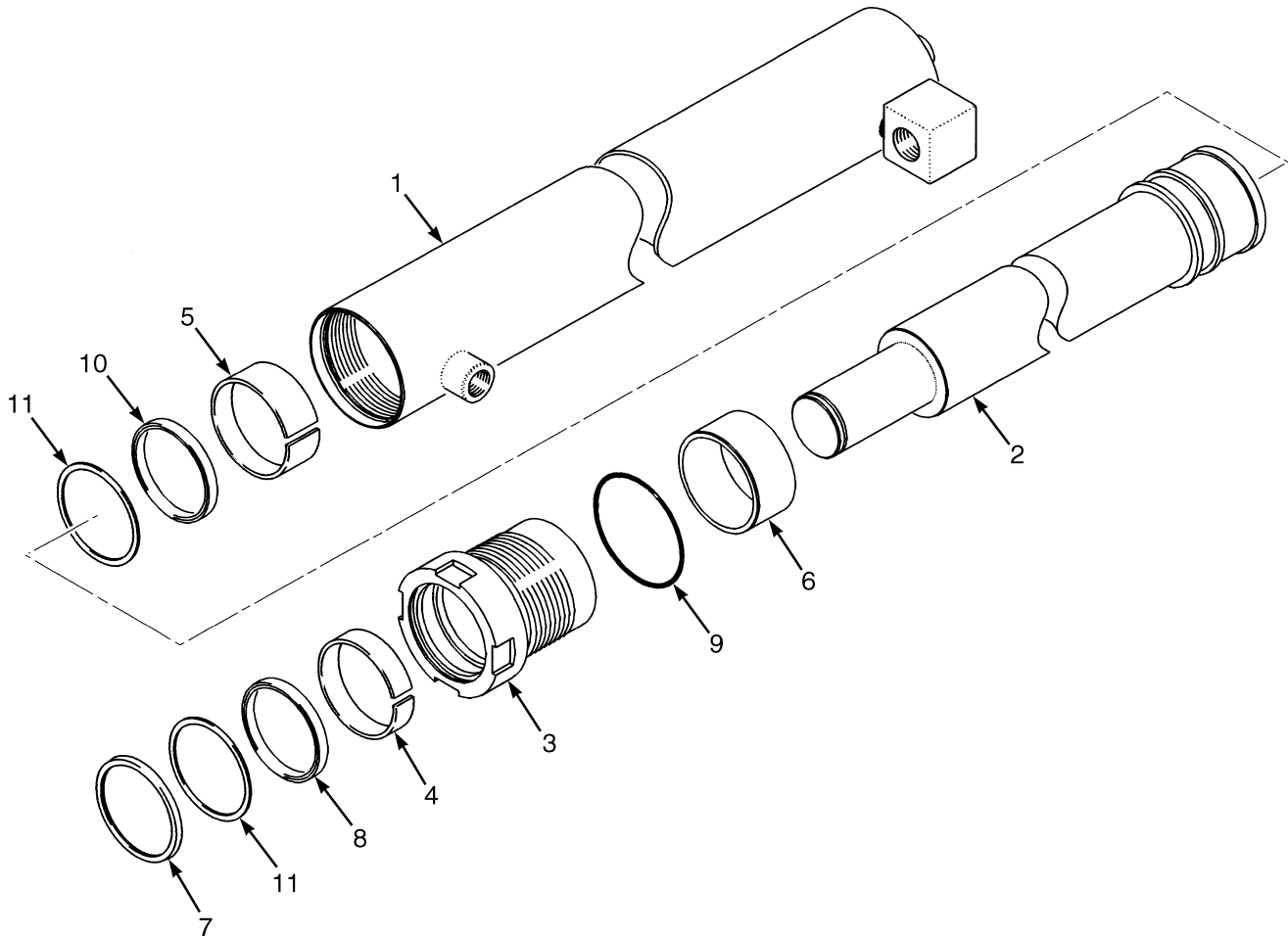
KEY:
A: H4.0FTS, H4.0FT6
B: H4.5-5.5FT

ITEM	PART NO.	DESCRIPTION	QTY	
			A	B
6	126765	Shim	12	12
7	1389846	Spacer	2	2
8	12891	Snap Ring	2	2
9	1387745	Chain Sheave (Assembly)	2	..
9	1387744	Chain Sheave (Assembly)	2
10	41531	Snap Ring	1	1
11	1387742	Chain Sheave	1	..
11	1387741	Chain Sheave	1
12	126764	Double Row Bearing	1	1
13	15222	Cotter Pin	2	2
14	327591	Pin	2	..
14	339932	Pin	2
15	1331990	Chain Anchor	2	..
15	1331991	Chain Anchor	2
16	1626490	Washer	2	2
17	1581896	Nut	4	4
18	4038137	Bracket (Retainer Nut)	2	2
19	a	Chain	2	2
20	1581556	Washer	2	2
21	1581580	Capscrew	2	2

FOOTNOTES:

a Refer to Table

MAST (FIGURE 11-3) TWO STAGE LIMITED FREE LIFT — MAIN LIFT CYLINDER (H4.0FTS, H4.0FT6)



BP170571

MAST
TWO STAGE LIMITED FREE LIFT – MAIN LIFT CYLINDER (H4.0FT5, H4.0FT6)
H4.0FT5, H4.0FT6

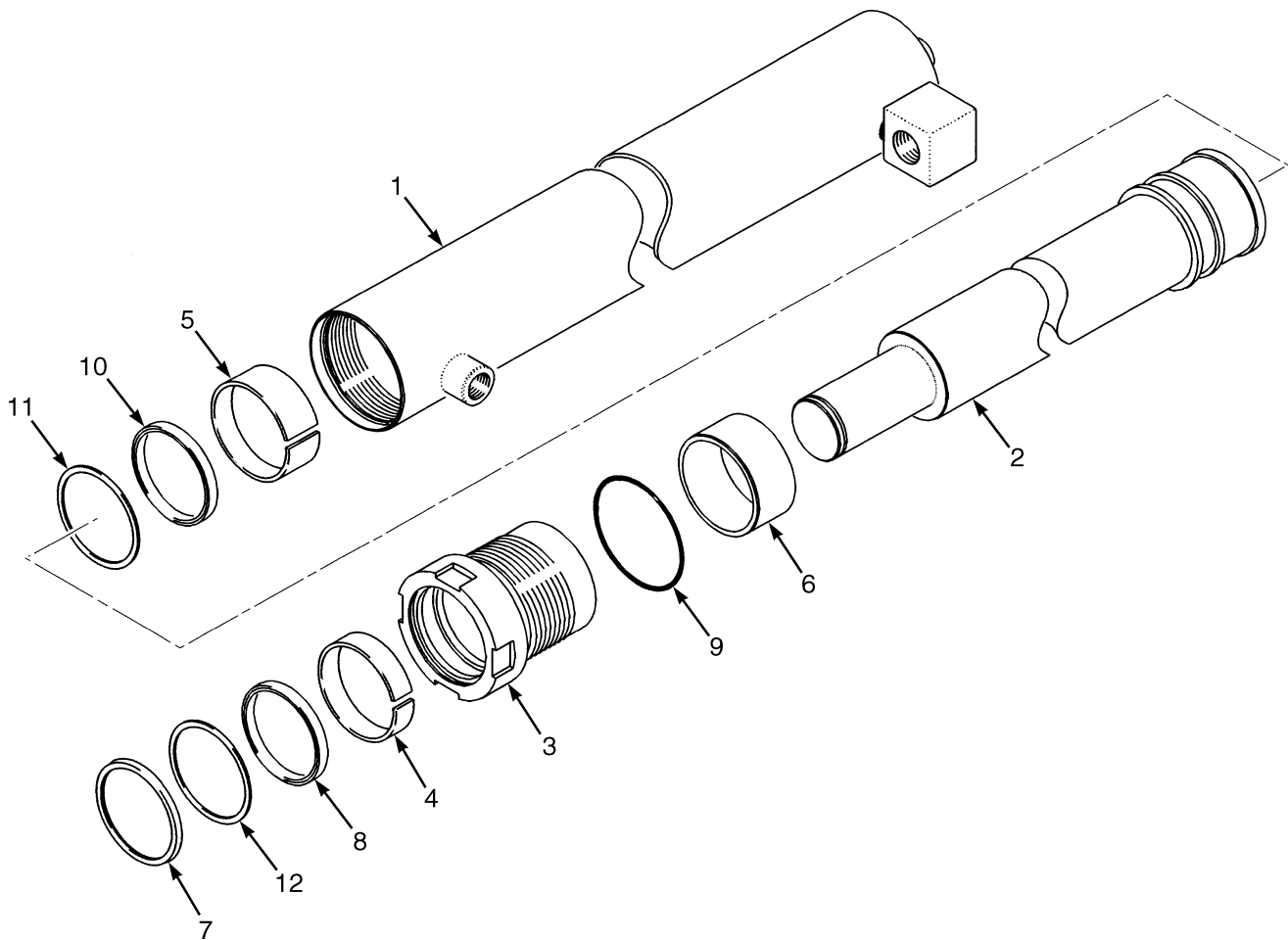
ITEM	DESCRIPTION 1 2 3 4	LIFT HEIGHT TO BOTTOM OF FORKS			
		3000 mm (118.1 in.)	3600 mm (141.7 in.)	4200 mm (165.4 in.)	4900 mm (192.9 in.)
		Mast Group Number	B749 3000	B749 3600	B749 4200
	Cylinder Group Number	8527601	8527607	8527613	8527620
	Cylinder Assy	2074622	2074629	2074637	2074645
1	Tube Wldmt- Cylinder	2075005	2075011	2075067	2075075
2	Cylinder Rod	2075442	2075127	2075133	2075140
6	Spacer	----	----	----	367139

ITEM	PART NO.	DESCRIPTION	QTY
	a	Cylinder Assy	2
1	a	Tube Wldmt-Cylinder	1
2	a	Cylinder Rod	1
3	2033243	Gland	1
4	215425	Wear Ring	1
5	297532	Wear Ring	1
6	a	Spacer	1
7	1383066	Rod Wiper	1
8	270077	Rod Seal	1
9	57664	O-Ring	1
10	1381061	Rod Seal	1
11	638249	Back-Up Ring	2
	2035784	Kit-Seal	1

FOOTNOTES:

a Refer to Table

MAST (FIGURE 11-4) TWO STAGE LIMITED FREE LIFT — MAIN LIFT CYLINDER (H4.5-5.5FT)



BP121066

MAST
TWO STAGE LIMITED FREE LIFT – MAIN LIFT CYLINDER (H4.5-5.5FT)
H4.5FTS5, H4.5FT6, H5.0FT, H5.5FT

ITEM	DESCRIPTION 1 2 3 4	LIFT HEIGHT TO BOTTOM OF FORKS			
		2740 mm (107.9 in.)	3340 mm (131.5 in.)	3940 mm (155.1 in.)	4640 mm (182.7 in.)
		Mast Group Number	B750 2740	B750 3340	B750 3940
	Cylinder Group Number	8527701	8527707	8527713	8527720
	Cylinder Assy	2074895	2074901	2074954	2074962
1	Tube Wldmt- Cylinder	2075089	2075095	2075101	2075108
2	Cylinder Rod	2075151	2075157	2075163	2075165
6	Spacer	----	----	----	2036209

H4.5FTS5, H4.5FT6, H5.0FT, H5.5FT

ITEM	DESCRIPTION 1 2 3 4	LIFT HEIGHT TO BOTTOM OF FORKS	
		5240 mm (206.3 in.)	5840 mm (229.9 in.)
		Mast Group Number	B750 5240
	Cylinder Group Number	8527726	8527753
	Cylinder Assy	2074968	2075819
1	Tube Wldmt- Cylinder	2075114	2075791
2	Cylinder Rod	2075171	2075761
6	Spacer	2036210	381110

KEY:

A: H4.5FTS5, H4.5FT6, H5.0FT

B: H5.5FT

ITEM	PART NO.	DESCRIPTION	QTY	
			A	B
	a	Cylinder Assy	2	2
1	a	Tube Wldmt-Cylinder	1	1
2	a	Cylinder Rod	1	1
3	2033281	Gland	1	..
3	2033299	Gland	1
4	297532	Wear Ring	1	..
4	215301	Wear Ring	1
5	351531	Wear Ring	1	1
6	a	Spacer	1	1
7	1383067	Rod Wiper	1	..
7	1383068	Rod Wiper	1

MAST

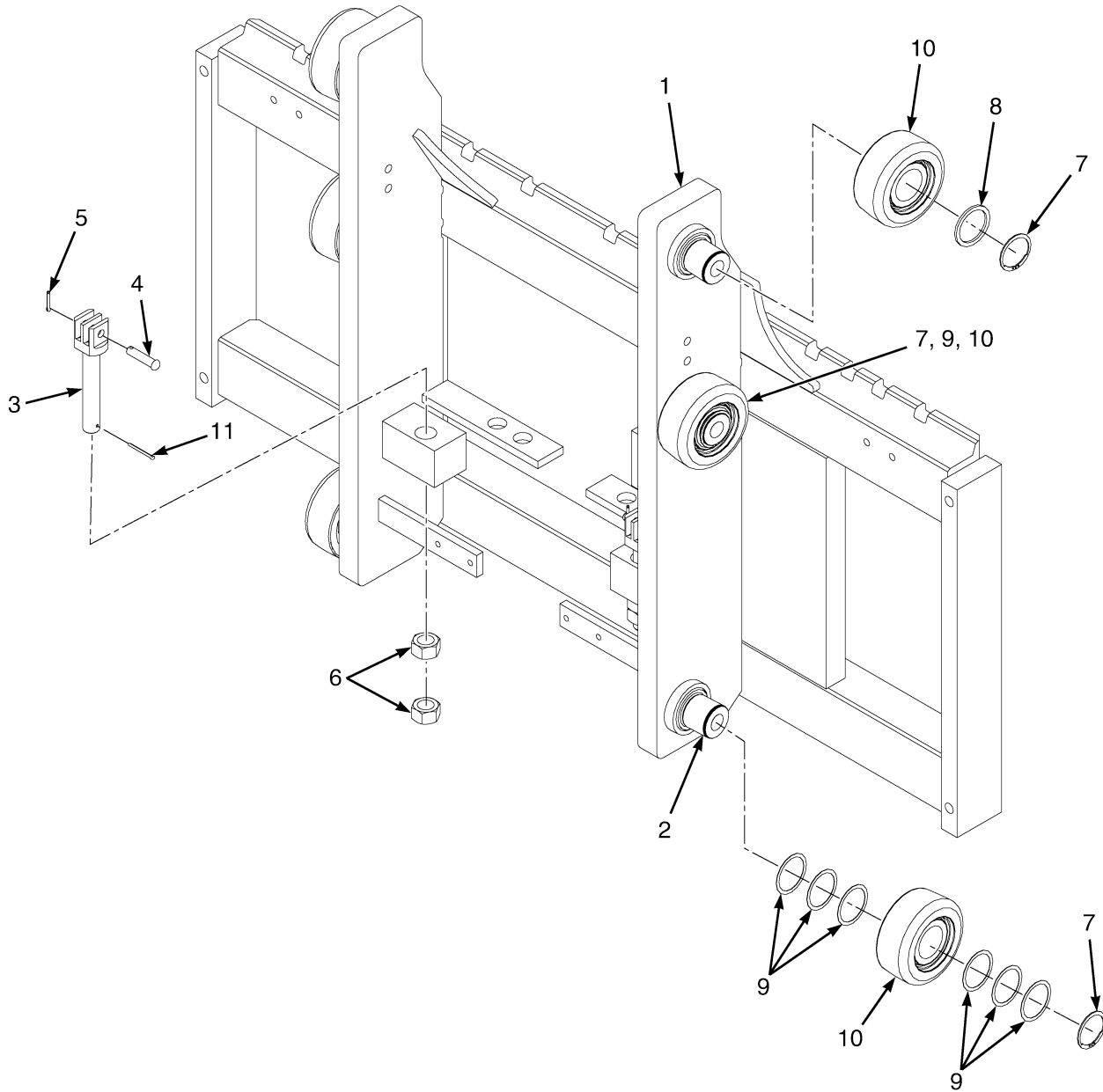
TWO STAGE LIMITED FREE LIFT – MAIN LIFT CYLINDER (H4.5-5.5FT)

KEY:**A:** H4.5FTS5, H4.5FT6, H5.0FT**B:** H5.5FT

ITEM	PART NO.	DESCRIPTION	QTY	
			A	B
8	327807	Rod Seal	1	..
8	201829	Rod Seal	1
9	15879	O-Ring	1	1
10	1381062	Rod Seal	1	1
11	351532	Back-Up Ring	1	1
12	327808	Back-Up Ring	1	..
12	638250	Back-Up Ring	1
	2035785	Kit-Seal	1	..
	2035786	Kit-Seal (H5.5FT)	1

FOOTNOTES:**a** Refer to Table

STANDARD CARRIAGE (FIGURE 11-5) TWO STAGE LIMITED FREE LIFT

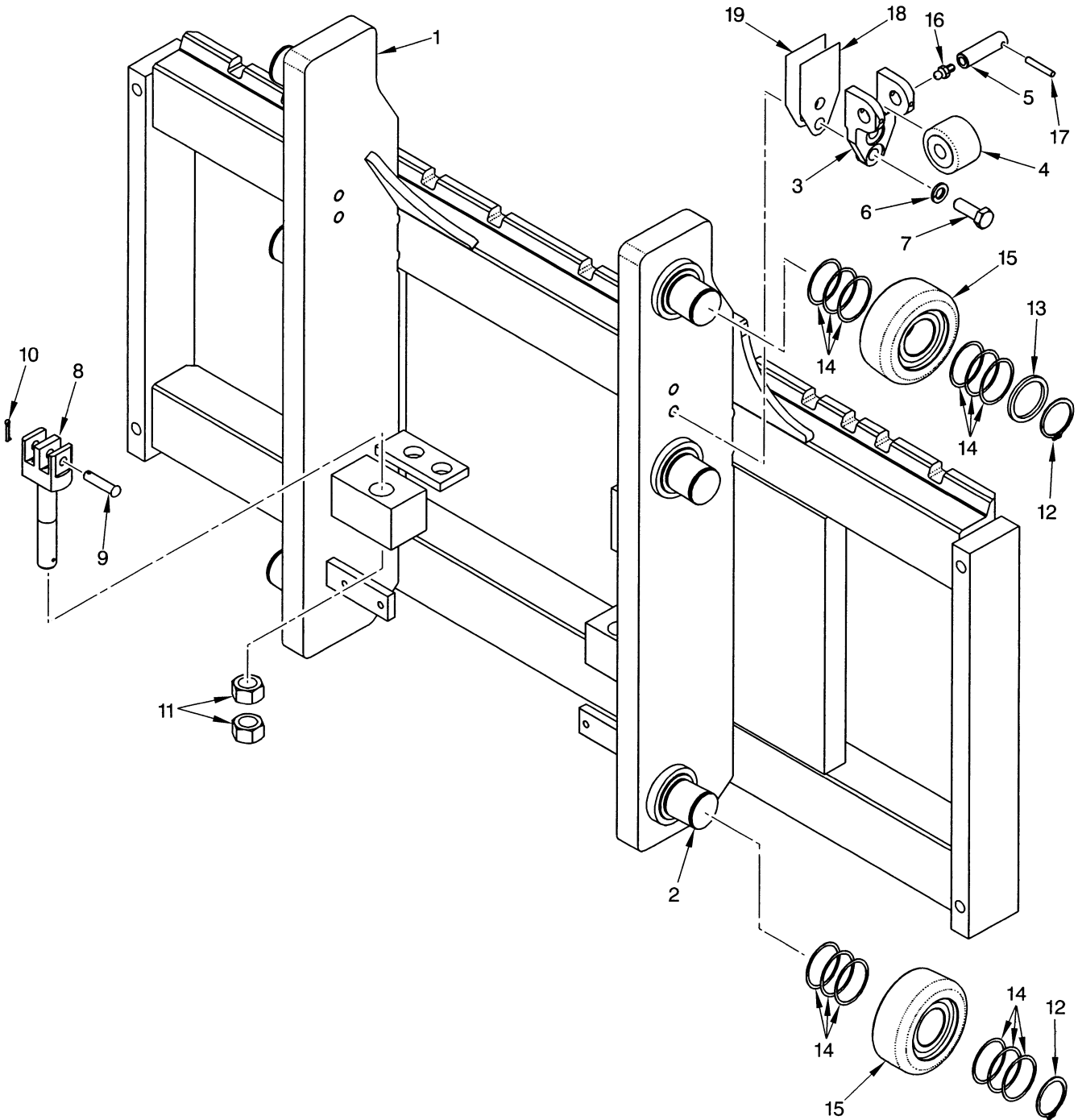


BP170253

**STANDARD CARRIAGE
TWO STAGE LIMITED FREE LIFT****KEY:****A: H4.0FTS, H4.0FT6****B: H4.5-5.5FT**

ITEM	PART NO.	DESCRIPTION	QTY	
			A	B
	2035667	Carriage (1219 mm)	1	..
	2035669	Carriage (1524 mm)	1	..
	2035671	Carriage (1372 mm)	1
	2035672	Carriage (1524 mm)	1
	2035670	Carriage (1219 mm)	1
1	1388092	Carriage Wldmt (1219 mm)	1	..
1	1388094	Carriage Wldmt (1524 mm)	1	..
1	1387447	Carriage Wldmt (1372 mm)	1
1	1387448	Carriage Wldmt (1524 mm)	1
1	1387446	Carriage Wldmt (1219 mm)	1
2	1500744	Stubshaft	6	6
3	1387285	Chain Anchor	2	..
3	1387286	Chain Anchor	2
4	327591	Pin	2	..
4	339932	Pin	2
5	15222	Cotter Pin	2	2
6	1581896	Nut	4	4
7	1465072	Snap Ring	6	6
8	1399224	Spacer	2	2
9	126765	Shim	24	24
10	1511883	Load Roller ("B") (104.44/104.18)	6	6
10	1511882	Load Roller ("A") (103.68/103.42) (Alternate)	6	6
10	1511884	Load Roller ("C") (105.20/104.94) (Alternate)	6	6
11	15224	Cotter Pin	2	2

ATTACHMENT CARRIAGE (FIGURE 11-6) TWO STAGE LIMITED FREE-LIFT — H4.5FT



HP170741

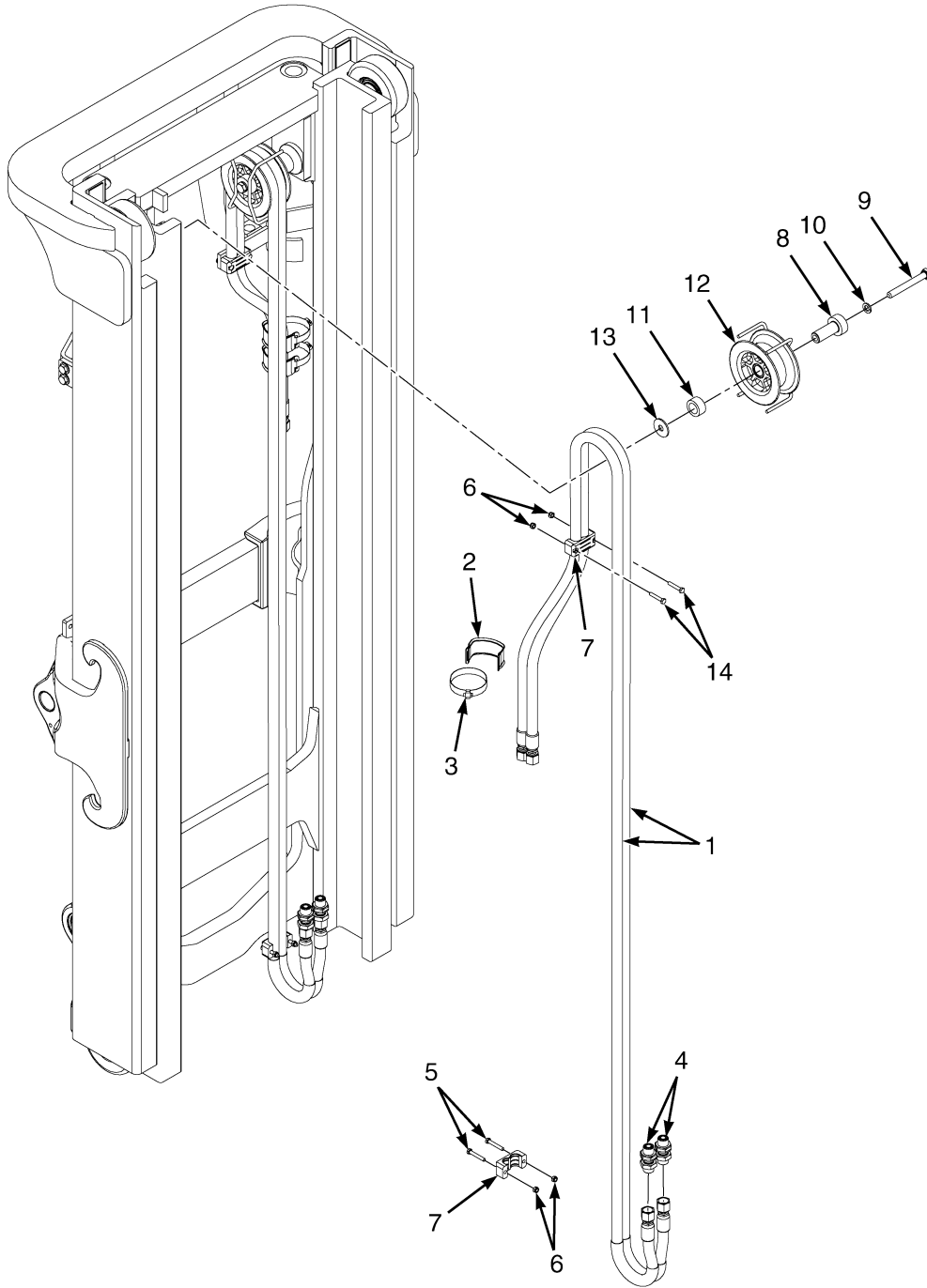
**ATTACHMENT CARRIAGE
TWO STAGE LIMITED FREE-LIFT – H4.5FT**

ITEM	PART NO.	DESCRIPTION	QTY
	2037706	Carriage (1372 mm)	1
1	1465226	Carriage Wldmt (1372 mm)	1
2	1500744	Stubshaft	6
3	1465177	Bracket	2
4	1387993 1670064	Thrust Bearing (Side Thrust Roller)	2
5	1670065	Pin	2
6	292683	Lockwasher	4
7	292528	Capscrew	4
8	1387286	Chain Anchor	2
9	339932	Pin (Anchor)	2
10	15222	Cotter Pin	2
11	1581896	Nut	4
12	1465072	Snap Ring	6
13	1399224	Spacer	2
14	126765	Shim	24
15	a 1511883	Load Roller ("B") (104.44/104.18) ("B") (0,26 mm)	6
16	16001	Grease Fitting	2
17	66333	Roll Pin	2
18	192425	Shim (1.575 mm)	6
19	192424	Shim (0.762 mm)	8

FOOTNOTES:

- a** Letter Located on Inside Surface of Load Roller

HEADER HOSE (FIGURE 11-7) TWO STAGE LIMITED FREE LIFT



BP290108

**HEADER HOSE
TWO STAGE LIMITED FREE LIFT
H4.0FT5, H4.0FT6**

ITEM	DESCRIPTION 1 2 3 4	LIFT HEIGHT TO BOTTOM OF FORKS			
		3000 mm (118.1 in.)	3600 mm (141.7 in.)	4200 mm (165.4 in.)	4900 mm (192.9 in.)
		Mast Group Number	B749 3000	B749 3600	B749 4200
	Mast Assy	2071745	2071750	2071756	2071763
1	Hose Assy	2083261	2083267	2083273	2083279

H4.5FTS5, H4.5FT6, H5.0FT, H5.5FT

ITEM	DESCRIPTION 1 2 3 4	LIFT HEIGHT TO BOTTOM OF FORKS			
		2740 mm (107.9 in.)	3340 mm (131.5 in.)	3940 mm (155.1 in.)	4640 mm (182.7 in.)
		Mast Group Number	B750 2740	B750 3340	B750 3940
	Mast Assy	2071818	2071824	2071830	2071837
1	Hose Assy	2083261	2083267	2083273	2083279

H4.5FTS5, H4.5FT6, H5.0FT, H5.5FT

ITEM	DESCRIPTION 1 2 3 4	LIFT HEIGHT TO BOTTOM OF FORKS	
		5240 mm (206.3 in.)	5840 mm (229.9 in.)
		Mast Group Number	B750 5240
	Mast Assy	2071843	2071849
1	Hose Assy	2083282	2087925

KEY:

A: Three Function

B: Four Function

ITEM	PART NO.	DESCRIPTION	QTY	
			A	B
	b	Mast Assy	1	1
1	b	Hose Assy	2	4
2	1465489	Hose Clamp	2	4
3	1360507	Clamp	2	4
4	816591	Fitting	2	4
4	265731	O-Ring	2	2
4	816593	Locknut	1	1
5	1581578	Capscrew	2	4
6	1581565	Nut	4	8
7	2035791	Hose Clamp	2	4
8	1477570	Stubshaft	1	2
9	1581594	Capscrew	1	2

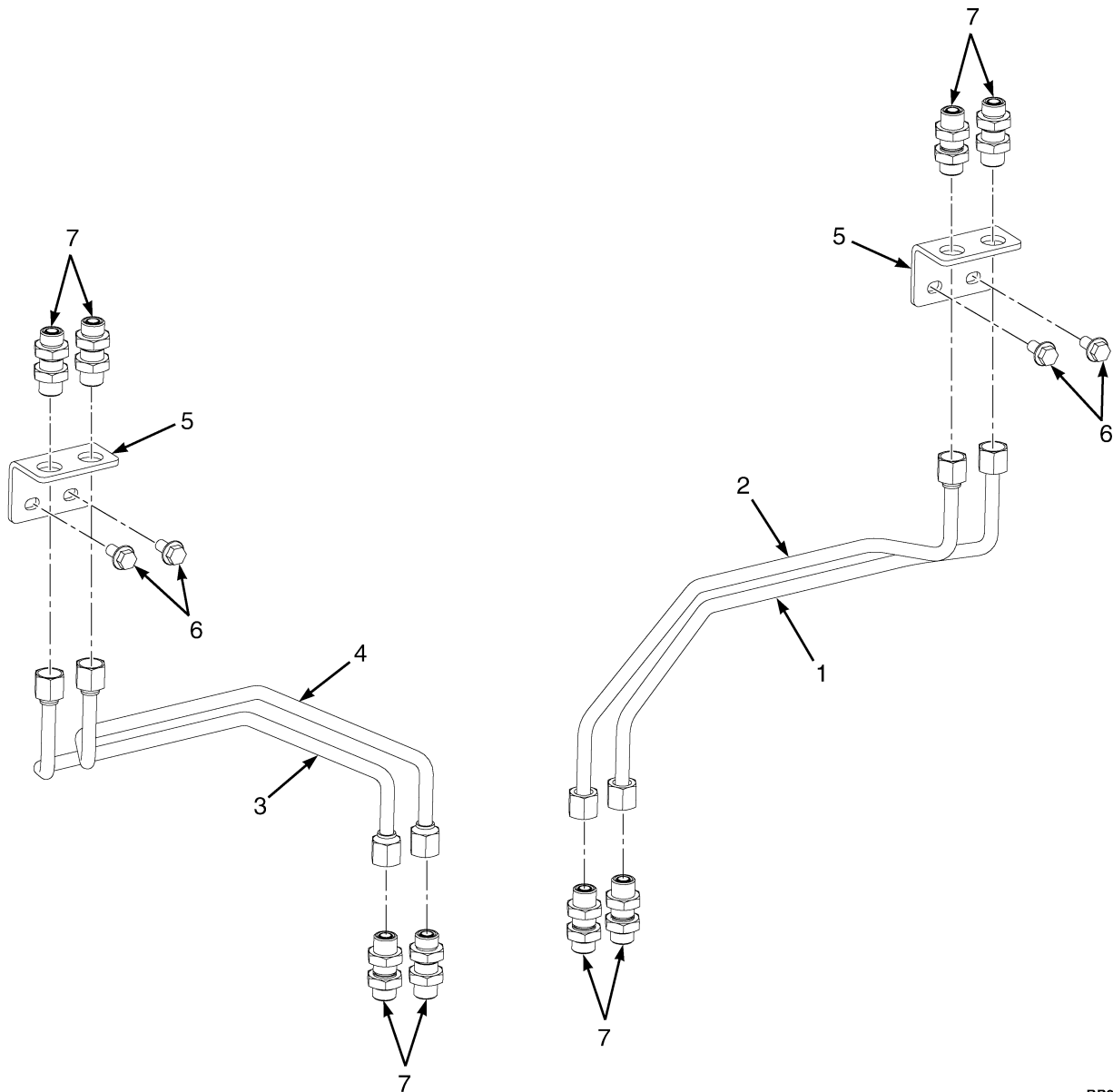
HEADER HOSE TWO STAGE LIMITED FREE LIFT

KEY:**A: Three Function****B: Four Function**

ITEM	PART NO.	DESCRIPTION	QTY	
			A	B
10	1581564	Lockwasher	1	2
11	1477578	Spacer	1	2
12	1495279	Hose Sheave	1	2
13	1345190	Washer	1	2
14	1581577	Capscrew	2	4
	a 1529016	Fitting (Cap)	2	4

FOOTNOTES:**a** Not Illustrated**b** Refer to Table

HEADER HOSE AUXILIARY TUBE EXTENSIONS WITHOUT QUICK DISCONNECTS (FIGURE 11-8) TWO STAGE LIMITED FREE LIFT — STANDARD CARRIAGE

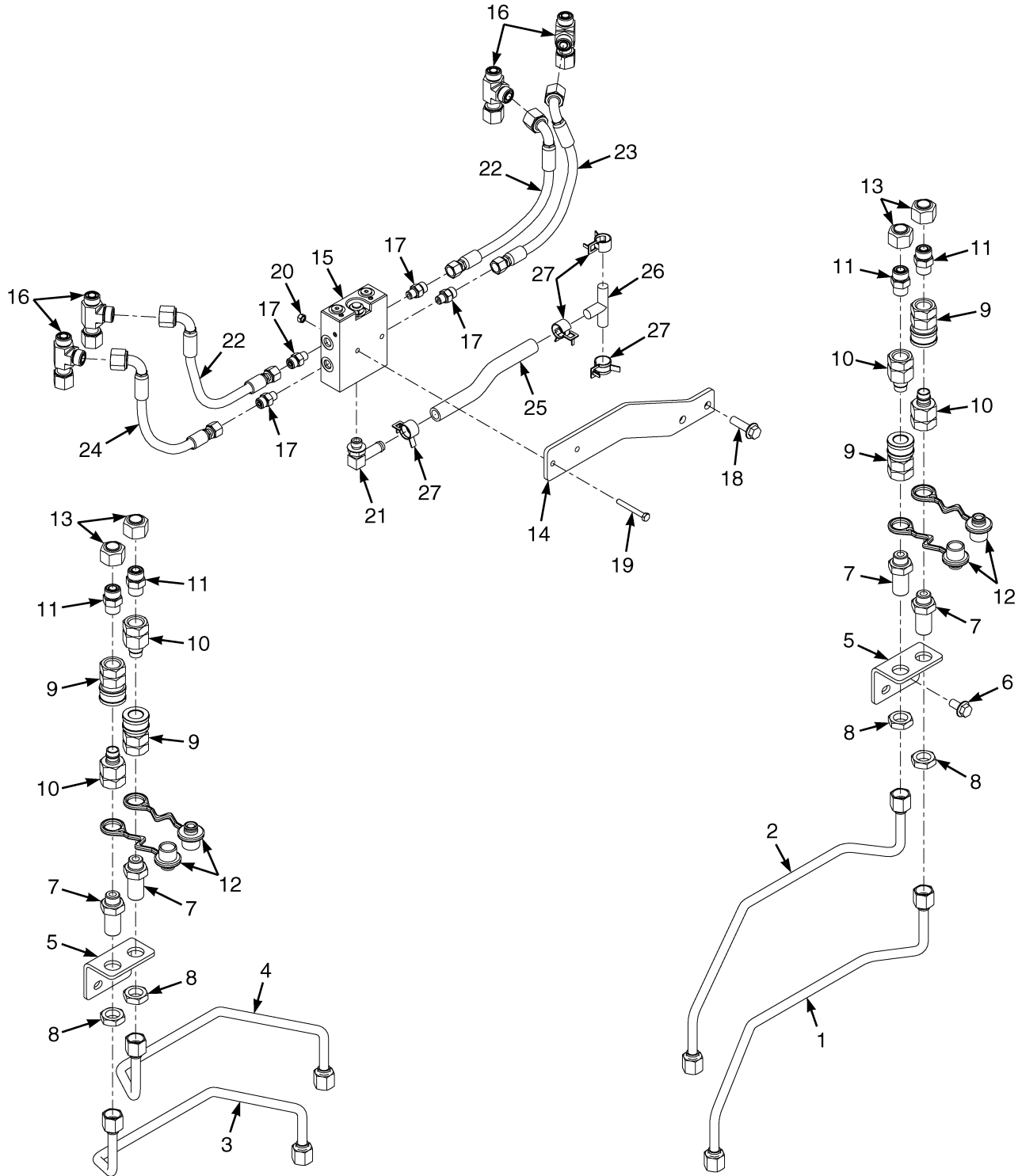


BP290118

**HEADER HOSE AUXILIARY TUBE EXTENSIONS WITHOUT QUICK DISCONNECTS
TWO STAGE LIMITED FREE LIFT – STANDARD CARRIAGE****KEY:****A: H4.0FTS, H4.0FT6 — Three Function****B: H4.0FTS, H4.0FT6 — Four Function****C: H4.5-5.5FT — Three Function****D: H4.5-5.5FT— Four Function**

ITEM	PART NO.	DESCRIPTION	QTY			
			A	B	C	D
1	2093179	Tube Assy	1	1
1	2093183	Tube Assy	1	1
2	2093180	Tube Assy	1	1
2	2093184	Tube Assy	1	1
3	2093181	Tube Assy	1
3	2093185	Tube Assy	1
4	2093182	Tube Assy	1
4	2093186	Tube Assy	1
5	1692933	Bracket (RH and LH Bolt On)	1	2	1	2
6	1527883	Capscrew	2	4	2	4
7	816591	Fitting	4	8	4	8

HEADER HOSE AUXILIARY TUBE EXTENSIONS WITH QUICK DISCONNECTS (FIGURE 11-9) TWO STAGE LIMITED FREE-LIFT — STANDARD CARRIAGE



BP000700

HEADER HOSE AUXILIARY TUBE EXTENSIONS WITH QUICK DISCONNECTS TWO STAGE LIMITED FREE-LIFT – STANDARD CARRIAGE

KEY:**A: H4.0FT5, H4.0FT6, H4.5FTS5 — Three Function****B: H4.0FT5, H4.0FT6, H4.5FTS5 — Four Function****C: H4.5FT6, H5.0-5.5FT — Three Function****D: H4.5FT6, H5.0-5.5FT — Four Function**

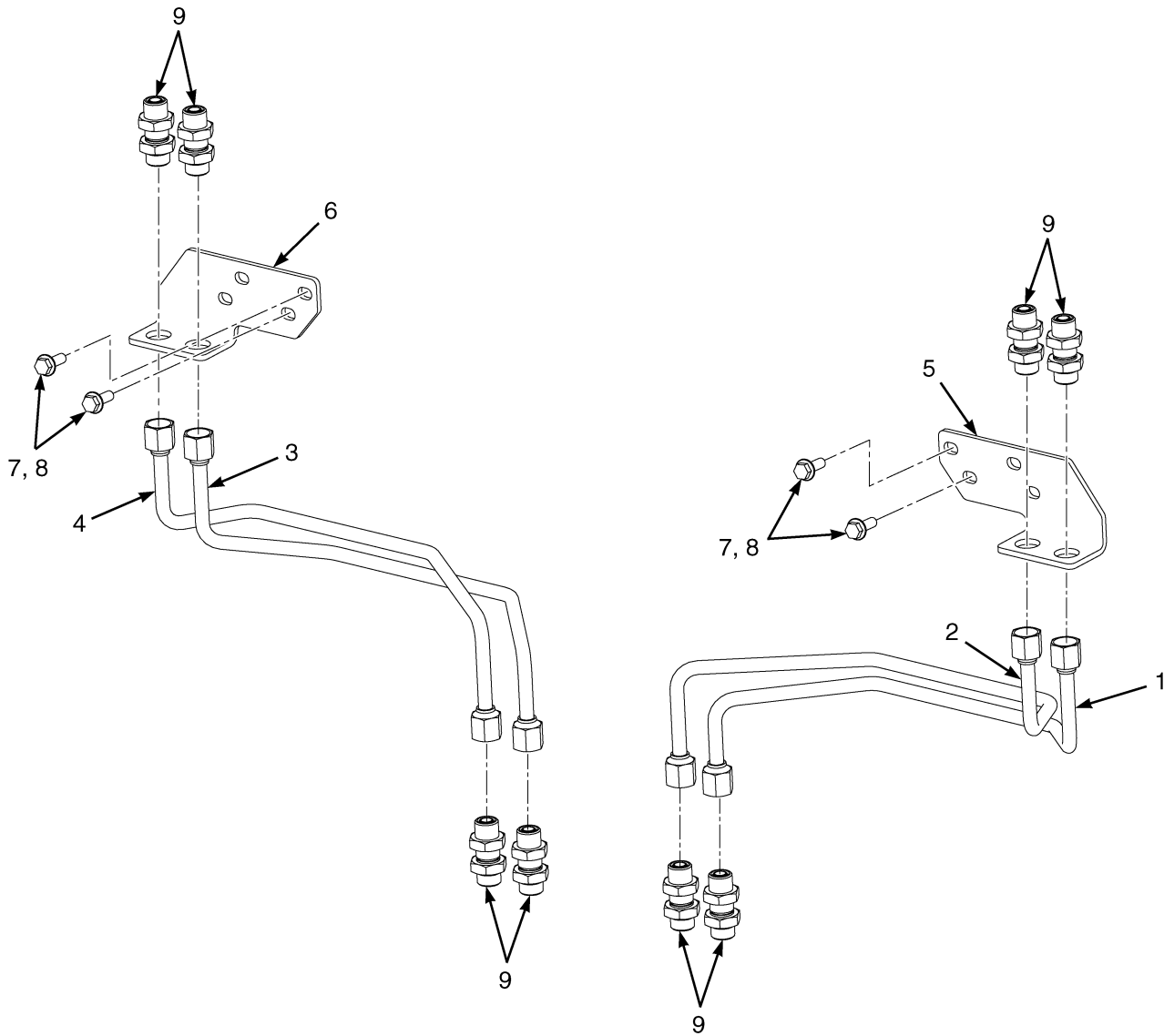
ITEM	PART NO.	DESCRIPTION	QTY			
			A	B	C	D
1	2093179	Tube Assy	1	1
1	2093183	Tube Assy	1	1
2	2093180	Tube Assy	1	1
2	2093184	Tube Assy	1	1
3	2093181	Tube Assy	1
3	2093185	Tube Assy	1
4	2093182	Tube Assy	1
4	2093186	Tube Assy	1
5	1692933	Bracket (RH and LH Bolt On)	1	2	1	2
6	1527883	Capscrew	2	4	2	4
7	1708365	Bulkhead	2	4	2	4
8	816593	Locknut	2	4	2	4
9	1377953	Quick Disconnect Fitting	2	4	2	4
10	1377954	Fitting	2	4	2	4
11	1473887	Fitting	2	4	2	4
11	265731	O-Ring	1	1	1	1
11	16484	O-Ring	1	1	1	1
12	1708368	Dust Cover	2	4	2	4
13	1529016	Fitting	2	4	2	4
14	a 1708373	Bracket	1	1	1	1
15	ab 2111754	Valve	1	..	1	..
15	a 2111755	Valve	1	..	1
15	a 4010971	Check Valve	2	4	2	4
15	a 4010972	Valve	1	1	1	1
16	a 1487095	Fitting	2	4	2	4
16	a 265731	O-Ring	2	2	2	2
17	a 1486737	Fitting	2	4	2	4
17	a 1527813	O-Ring	1	1	1	1
17	a 16481	O-Ring	1	1	1	1
18	a 1527885	Capscrew	2	2	2	2
19	a 292505	Capscrew	2	2	2	2
20	a 302399	Nut	2	2	2	2
21	a 110178	Fitting	1	1	1	1
21	a 16483	O-Ring	1	1	1	1
22	a 4604565	Hose Assy	1	2	1	2
23	a 4604566	Hose Assy	1	1	1	1
24	a 4604568	Hose Assy	1	..	1
25	a 1614069	Hose	1	1	1	1
26	a 2046871	Fitting	1	1	1	1
27	a 1527979	Hose Clamp	4	4	4	4

FOOTNOTES:

a Electronic Hydraulic Control Option Only

b Not Illustrated

HEADER HOSE AUXILIARY TUBE EXTENSIONS WITHOUT QUICK DISCONNECTS (FIGURE 11-10) TWO STAGE LIMITED FREE-LIFT — ATTACHMENT CARRIAGE



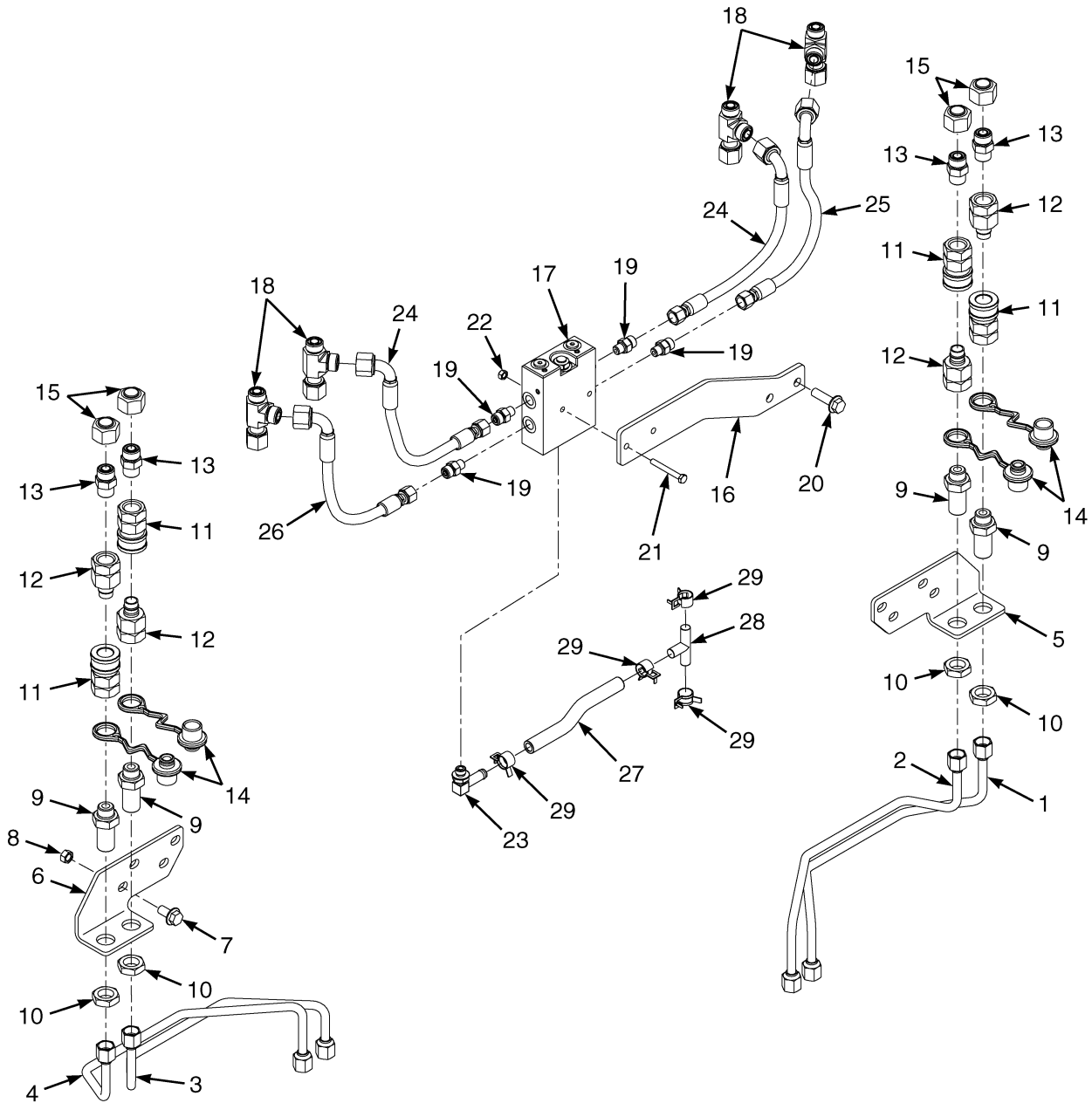
BP000710

**HEADER HOSE AUXILIARY TUBE EXTENSIONS WITHOUT QUICK DISCONNECTS
TWO STAGE LIMITED FREE-LIFT – ATTACHMENT CARRIAGE**

KEY:**A: H4.5FT — Three Function****B: H4.5FT — Four Function**

ITEM	PART NO.	DESCRIPTION	QTY	
			A	B
1	2088907	Tube Assy	1	1
2	2088908	Tube Assy	1	1
3	2088909	Tube Assy	1
4	2088910	Tube Assy	1
5	1692931	Bracket (Bolt-On) (RH)	1	1
6	1692932	Bracket (Bolt-On) (LH)	1
7	1527884	Capscrew	2	4
8	136692	Nut	2	4
9	816591	Fitting	4	8
9	265731	O-Ring	2	2
9	816593	Locknut	1	1

**HEADER HOSE AUXILIARY TUBE EXTENSIONS WITH QUICK DISCONNECTS
(FIGURE 11-11)
TWO STAGE LIMITED FREE-LIFT — ATTACHMENT CARRIAGE**



BP000705

**HEADER HOSE AUXILIARY TUBE EXTENSIONS WITH QUICK DISCONNECTS
TWO STAGE LIMITED FREE-LIFT – ATTACHMENT CARRIAGE****KEY:****A: H4.5FT — Three Function****B: H4.5FT — Four Function**

ITEM	PART NO.	DESCRIPTION	QTY	
			A	B
1	2088907	Tube Assy	1	1
2	2088908	Tube Assy	1	1
3	2088909	Tube Assy	1
4	2088910	Tube Assy	1
5	1692931	Bracket (Bolt-On) (RH)	1	1
6	1692932	Bracket (Bolt-On) (LH)	1
7	1527884	Capscrew	2	4
8	136692	Nut	2	4
9	1708365	Bulkhead	2	4
10	816593	Locknut	2	4
11	1377953	Quick Disconnect Fitting	2	4
12	1377954	Fitting	2	4
13	1473887	Fitting	2	4
13	265731	O-Ring	1	1
13	16484	O-Ring	1	1
14	1708368	Dust Cover	2	4
15	1529016	Fitting	2	4
16	a 1708373	Bracket	1	1
17	ab 2111754	Valve	1	..
17	a 2111755	Valve	1
17	a 4010971	Check Valve	2	4
17	a 4010972	Valve	1	1
18	a 1487095	Fitting	2	4
18	a 265731	O-Ring	2	2
19	a 1486737	Fitting	2	4
19	a 1527813	O-Ring	1	1
19	a 16481	O-Ring	1	1
20	a 1527885	Capscrew	2	2
21	a 292505	Capscrew	2	2
22	a 302399	Nut	2	2
23	a 110178	Fitting	1	1
24	a 4604565	Hose Assy	1	2
25	a 4604566	Hose Assy	1	1
26	a 4604568	Hose Assy	1
27	a 1614069	Hose	1	1
28	a 2046871	Fitting	1	1
29	a 1527979	Hose Clamp	4	4

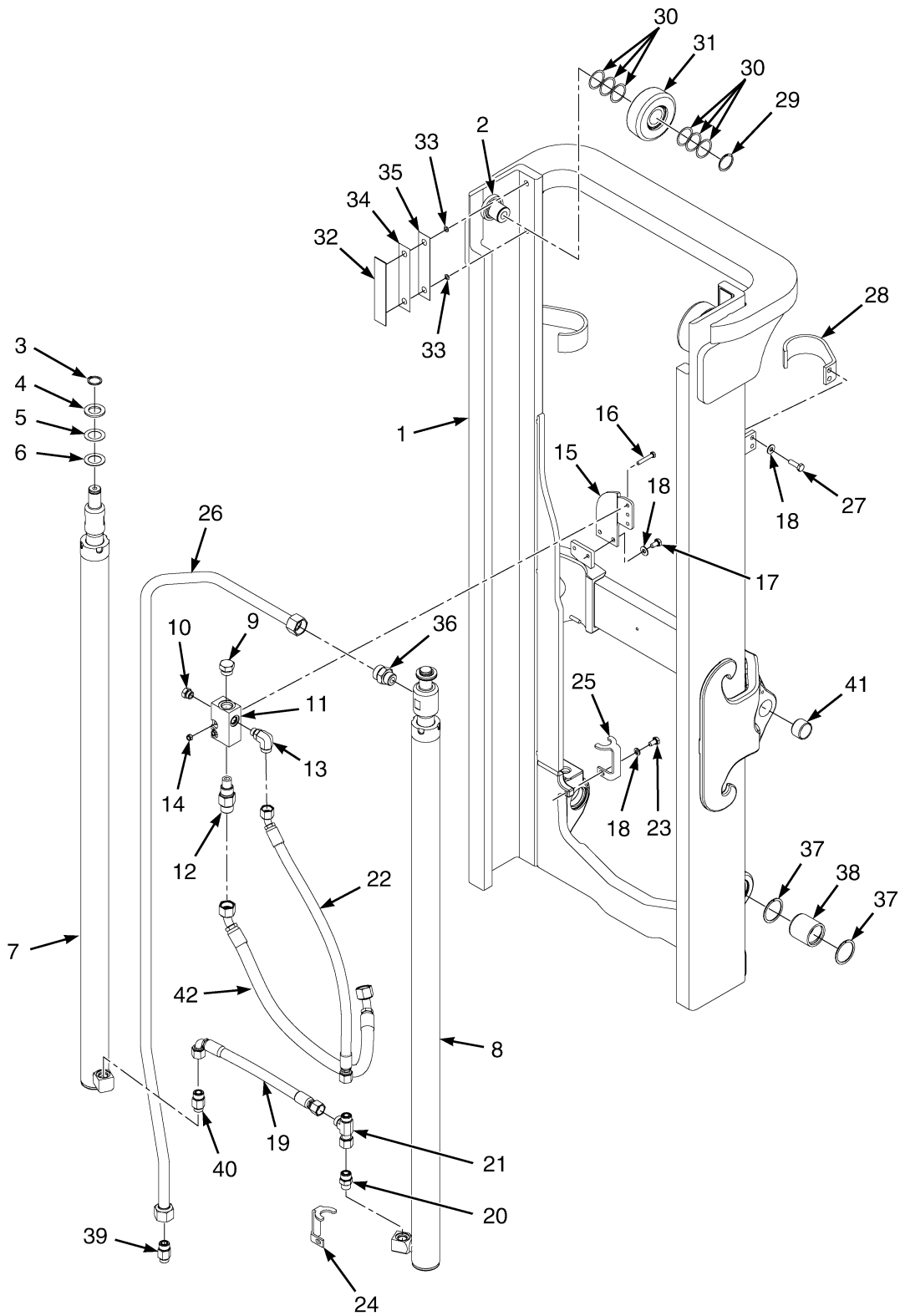
FOOTNOTES:**a** Electronic Hydraulic Control Only**b** Not Illustrated

SECTION 12

MAST-TWO STAGE FULL FREE-LIFT

DESCRIPTION	PAGE
ATTACHMENT CARRIAGE	
TWO STAGE FULL FREE-LIFT - H4.5FT	12-30
FREE-LIFT CYLINDER	
TWO STAGE FULL FREE LIFT	12-18
HEADER HOSE	
TWO STAGE FULL FREE LIFT	12-22
HEADER HOSE AUXILIARY TUBE EXTENSIONS WITH QUICK DISCONNECTS	
TWO STAGE FULL FREE- LIFT - STANDARD CARRIAGE	12-34
TWO STAGE FULL FREE-LIFT - ATTACHMENT CARRIAGE	12-40
HEADER HOSE AUXILIARY TUBE EXTENSIONS WITHOUT QUICK DISCONNECTS	
TWO STAGE FULL FREE LIFT - STANDARD CARRIAGE	12-32
TWO STAGE FULL FREE- LIFT - ATTACHMENT CARRIAGE	12-38
INNER MAST AND FREE-LIFT	
TWO STAGE FULL FREE LIFT	12-6
MAIN LIFT CYLINDER	
TWO STAGE FULL FREE LIFT - H4.0FTS, H4.0FT6	12-10
TWO STAGE FULL FREE LIFT - H4.5FTS5, H4.5FT6, H5.0FT, H5.5FT	12-14
OUTER MAST AND MAIN LIFT	
TWO STAGE FULL FREE LIFT	12-2
STANDARD CARRIAGE	
TWO STAGE FULL FREE-LIFT	12-26

OUTER MAST AND MAIN LIFT (FIGURE 12-1) TWO STAGE FULL FREE LIFT



BP290104

**OUTER MAST AND MAIN LIFT
TWO STAGE FULL FREE LIFT**

H4.0FTS, H4.0FT6

ITEM	DESCRIPTION 1 2 3 4	LIFT HEIGHT TO BOTTOM OF FORKS	
		3025 mm (119.1 in.)	3625 mm (142.7 in.)
		Mast Group Number	B753 3025
	Mast Assy	2071931	2071937
1	Outer Mast	1573779	1573785
26	Tube Assy	2072127	2072133

H4.5FTS5, H4.5FT6, H5.0FT, H5.5FT

ITEM	DESCRIPTION 1 2 3 4	LIFT HEIGHT TO BOTTOM OF FORKS	
		2765 mm (108.9 in.)	3365 mm (132.5 in.)
		Mast Group Number	B754 2765
	Mast Assy	2071969	2071975
1	Outer Mast	1573779	1573785
26	Tube Assy	2072127	2072133

KEY:

A: H4.0FTS, H4.0FT6

B: H4.5FTS5, H4.5FT6, H5.0FT, H5.5FT

ITEM	PART NO.	DESCRIPTION	QTY	
			A	B
	a	Mast Assy	1	1
1	a	Outer Mast	1	1
2	1500744	Stubshaft	2	2
3	304523	Snap Ring	2	2
4	332061	Washer	2	2
5	1325120	Shim	AR	AR
6	142247	Shim	AR	AR
7	Main Cylinder (RH) (☞ Figure 12-3).....	1	1
8	Main Cylinder (LH) (☞ Figure 12-3).....	1	1
9	14603	Plug	1	1
9	4450764			
	16486	O-Ring	1	1
10	14595	Plug Assembly	1	1
10	199524	Plug	1	1
10	16484	O-Ring	1	1
11	1388019	Housing (Control Valve)	1	1
12	1550197	Lowering Control Valve	1	..
12	16982	O-Ring	1	..
12	280154	O-Ring	1	..
12	1550198	Lowering Control Valve	1

OUTER MAST AND MAIN LIFT TWO STAGE FULL FREE LIFT

KEY:

A: H4.0FTS, H4.0FT6

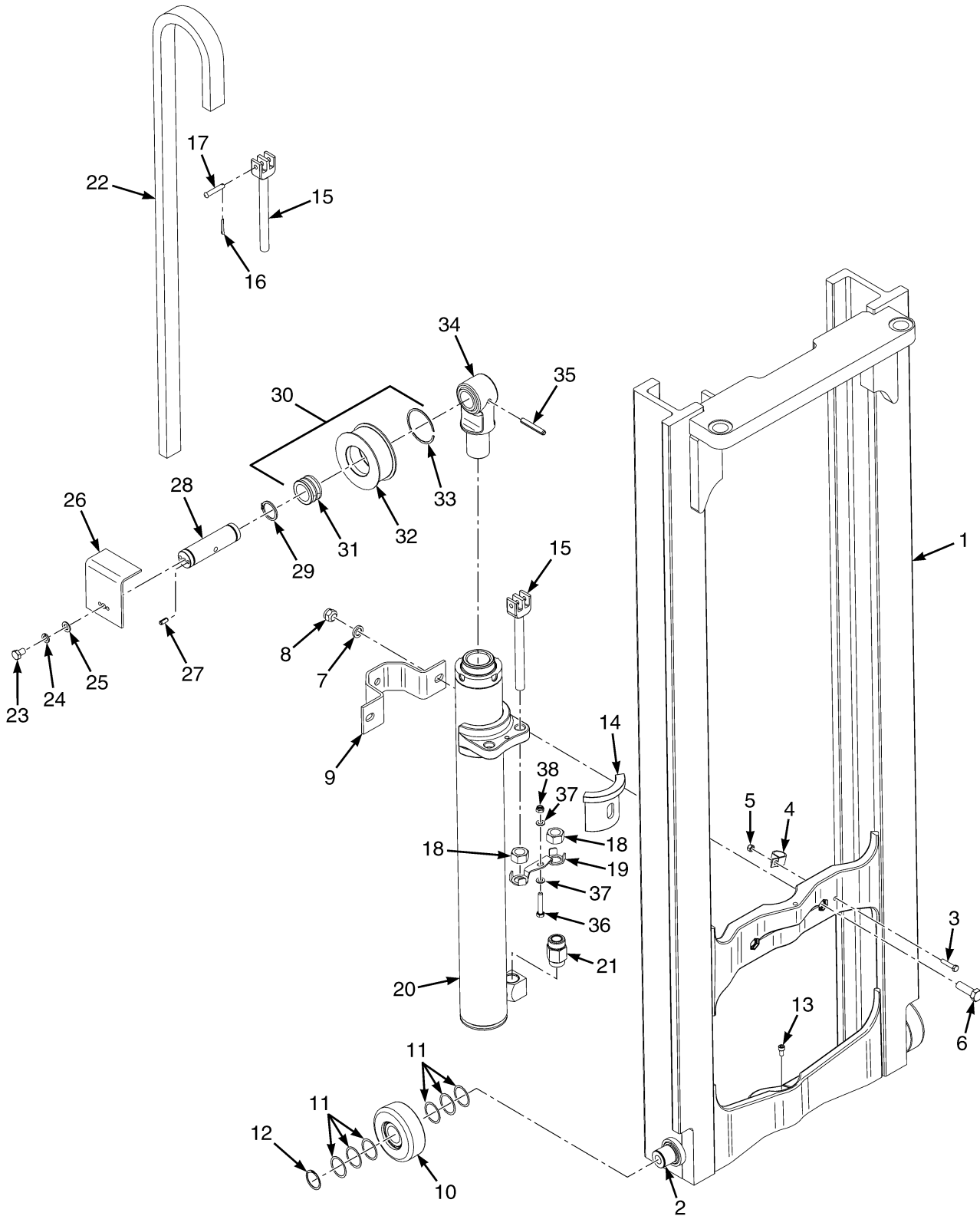
B: H4.5FTS5, H4.5FT6, H5.0FT, H5.5FT

ITEM	PART NO.	DESCRIPTION	QTY	
			A	B
12	16982	O-Ring	1
12	280154	O-Ring	1
13	1487068	Fitting	1	1
14	1581566	Nut	3	3
15	1477559	Bracket	2	2
16	1581583	Capscrew	2	2
17	1581585	Capscrew	2	2
18	1581558	Washer	8	8
19	4604938	Hose Assy	1	1
20	1486749	Fitting	1	1
21	1487096	Fitting	1	1
21	252729	O-Ring	3	3
22	4627873	Hose Assy	1	1
23	1581586	Capscrew	2	2
24	1550385	Bracket (LH)	1	1
25	1550387	Bracket (RH)	1	1
26	a	Tube Assy	1	1
27	1581588	Capscrew	4	4
28	1474399	Bracket Wldmt	1	1
28	1474398	Bracket Wldmt (Optional)	1	1
28	4104235	Bracket (Cylinder Restraint)	2	2
28	4104236	Bracket (Cylinder Restraint) (Optional)	2	2
28	4058158	Rubber Pad	2	2
29	1465072	Snap Ring	2	2
30	126765	Shim	12	12
31	1399204	Load Roller ("B") (127.51/127.25)	2	2
31	1399203	Load Roller ("A") (126.75/126.49) (Alternate)	2	2
31	1399205	Load Roller ("C") (128.27/128.01) (Alternate)	2	2
32	104264	Wear Strip	2	2
33	104506	O-Ring	4	4
34	161272	Shim (0.178 mm)	AR	AR
35	161273	Shim (0.508 mm)	AR	AR
36	1550199	Fitting	1	1
37	1465518	Snap Ring	4	4
38	1485449	Bushing	2	2
39	1550193	Hyd Velocity Fuse	1	..
39	1550194	Hyd Velocity Fuse	1
39	244167	O-Ring	1	1
39	16487	O-Ring	1	1
40	1550159	Velocity Fuse	1	..
40	1550157	Hyd Velocity Fuse	1
40	252729	O-Ring	1	1
40	16485	O-Ring	1	1
41	192429	Bushing	1	1
42	2076763	Hose Assy (Hoist)	1	1

FOOTNOTES:

- a** Refer to Table

INNER MAST AND FREE-LIFT (FIGURE 12-2) TWO STAGE FULL FREE LIFT



BP290125

**INNER MAST AND FREE-LIFT
TWO STAGE FULL FREE LIFT**

H4.0FTS, H4.0FT6

ITEM	DESCRIPTION 1 2 3 4	LIFT HEIGHT TO BOTTOM OF FORKS	
		3025 mm (119.1 in.)	3625 mm (142.7 in.)
		Mast Group Number	B753 3025
	Mast Assy	2071931	2071937
1	Inner Mast	1573809	1573815
22	Chain	337189	339897

H4.5FTS5, H4.5FT6, H5.0FT, H5.5FT

ITEM	DESCRIPTION 1 2 3 4	LIFT HEIGHT TO BOTTOM OF FORKS	
		2765 mm (108.9 in.)	3365 mm (132.5 in.)
		Mast Group Number	B754 2765
	Mast Assy	2071969	2071975
1	Inner Mast	1573809	1573815
22	Chain	386885	337189

KEY:

A: H4.0FTS, H4.0FT6

B: H4.5FTS5, H4.5FT6, H5.0FT, H5.5FT

ITEM	PART NO.	DESCRIPTION	QTY	
			A	B
	b	Mast Assy	1	1
1	b	Inner Mast	1	1
2	1500744	Stubshaft	2	2
3	1581582	Capscrew	1	1
4	178119	Clamp	1	1
5	1581566	Nut	1	1
6	221628	Capscrew	2	2
7	297649	Ring	2	2
8	161003	Nut	2	2
9	a 1694479			
	4057049	Clamp (One Piece Formed Bracket)	1	..
9	a 1694480			
	4057050	Clamp (One Piece Formed Bracket)	1
10	1399203	Load Roller ("A") (126.75/126.49)	2	2
10	1399204	Load Roller ("B") (127.51/127.25)	2	2
10	1399205	Load Roller ("C") (128.27/128.01)	2	2
11	126765	Shim	12	12
12	1465072	Snap Ring	2	2
13	296009	Capscrew	1	1
14	1611061	Collar	1	..

INNER MAST AND FREE-LIFT TWO STAGE FULL FREE LIFT

KEY:

A: H4.0FTS, H4.0FT6

B: H4.5FTS5, H4.5FT6, H5.0FT, H5.5FT

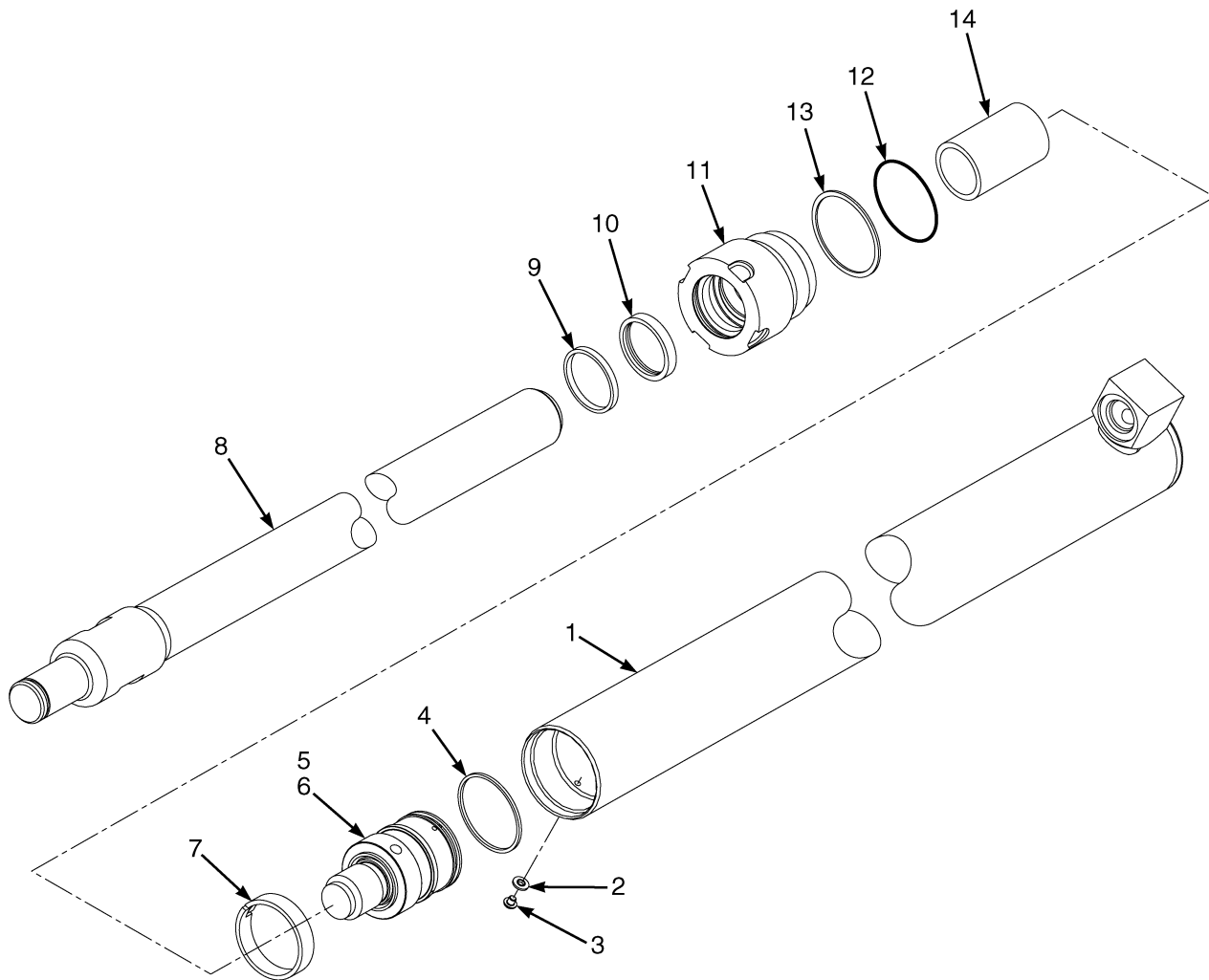
ITEM	PART NO.	DESCRIPTION	QTY	
			A	B
15	1331991	Chain Anchor	2	2
16	15222	Cotter Pin	2	2
17	339932	Pin	2	2
18	1581896	Nut	2	2
19	4038861	Bracket (Dual Retainer Nut)	1	1
20	Freelift Cylinder (☞Figure 12-5).....	1	1
21	1550193	Hyd Velocity Fuse	1	..
21	1550194	Hyd Velocity Fuse	1
21	244167	O-Ring	1	1
21	16487	O-Ring	1	1
22	b	Chain	2	2
23	1581589	Capscrew	2	2
24	1581564	Lockwasher	2	2
25	1581559	Washer	2	2
26	1387519	Guard (Chain)	2	2
27	302472	Roll Pin	4	4
28	1387281	Pin	1	1
29	304527	Snap Ring	2	2
30	1387743	Chain Sheave Assembly (Assembly)	2	2
31	126764	Double Row Bearing	1	1
32	1387740	Chain Sheave	1	1
33	41531	Snap Ring	1	1
34	1389825	Crosshead	1	1
35	302493	Roll Pin	1	1
36	1581835	Capscrew	1	1
37	1581556	Washer	2	2
38	1581739	Nut	1	1

FOOTNOTES:

a Option

b Refer to Table

MAIN LIFT CYLINDER (FIGURE 12-3) TWO STAGE FULL FREE LIFT — H4.0FTS, H4.0FT6



BP170217

**MAIN LIFT CYLINDER
TWO STAGE FULL FREE LIFT – H4.0FTS, H4.0FT6**

LEFT HAND

ITEM	DESCRIPTION 1 2 3 4	LIFT HEIGHT TO BOTTOM OF FORKS	
		3025 mm (119.1 in.)	3625 mm (142.7 in.)
	Mast Group Number	B753 3025	B753 3625
	Cylinder Group Number	8503251	8503257
	Cylinder Assy	2073992	2073998
1	Tube Wldmt- Cylinder	2074022	2074042
8	Cylinder Rod	1400551	1400557

RIGHT HAND

ITEM	DESCRIPTION 1 2 3 4	LIFT HEIGHT TO BOTTOM OF FORKS	
		3025 mm (119.1 in.)	3625 mm (142.7 in.)
	Mast Group Number	B753 3025	B753 3625
	Cylinder Group Number	8503201	8503207
	Cylinder Assy	2073953	2073968
1	Tube Wldmt- Cylinder	2074022	2074042
8	Cylinder Rod	1400501	1400507

ITEM	PART NO.	DESCRIPTION	QTY
	c	Cylinder Assy	1
1	c	Tube Wldmt-Cylinder	1
2	190887	Sealing Ring	1
3	295649	Screw	1
4	1379063	Piston Ring	1
5	1381056	Piston (RH)	1
5	1381055	Piston (LH)	1
6	264134	Loctite	1
7	2038675	Wear Ring	1
8	c	Cylinder Rod	1
9	1310370	Rod Wiper	1
10	1381084	Rod Seal	1
11	2033295	Gland	1
12	198518	O-Ring	1
13	166659	Back-Up Ring	1
14	b	Spacer	AR
	a 2094192	Sleeve (Included with Kits 2038676 and 2104947)	1

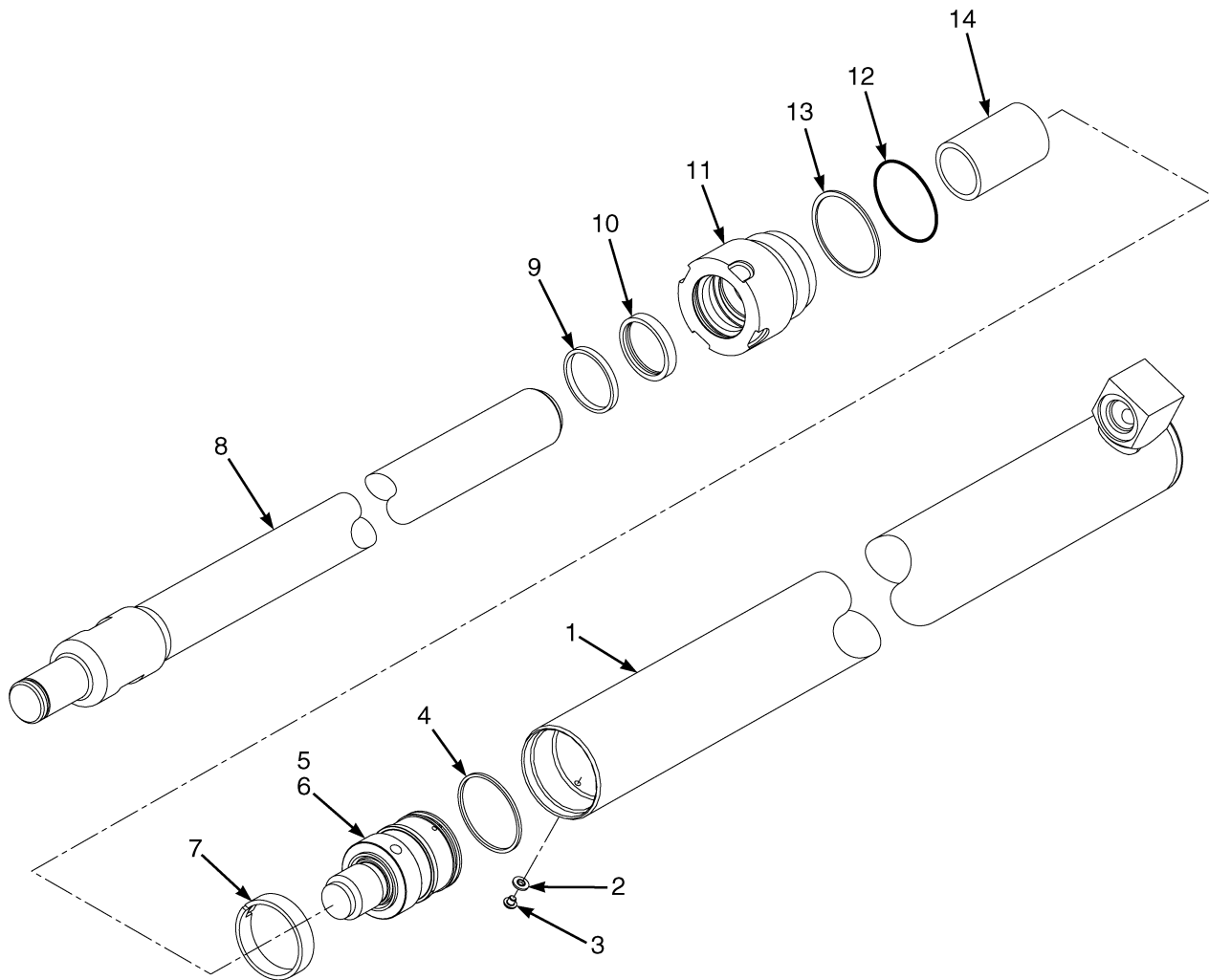
MAIN LIFT CYLINDER
TWO STAGE FULL FREE LIFT – H4.0FTS, H4.0FT6

ITEM	PART NO.	DESCRIPTION	QTY
	2038676	Kit-Seal	1
	2104947	Kit-Seal

FOOTNOTES:

- a** Not Illustrated
- b** Not required for H4.0FTS, H4.0FT6
- c** Refer to Table

MAIN LIFT CYLINDER (FIGURE 12-4) TWO STAGE FULL FREE LIFT — H4.5FTS5, H4.5FT6, H5.0FT, H5.5FT



BP170217

MAIN LIFT CYLINDER
TWO STAGE FULL FREE LIFT – H4.5FTS5, H4.5FT6, H5.0FT, H5.5FT

LEFT HAND

ITEM	DESCRIPTION 1 2 3 4	LIFT HEIGHT TO BOTTOM OF FORKS	
		2765 mm (108.9 in.)	3365 mm (132.5 in.)
	Mast Group Number	B754 2765	B754 3365
	Cylinder Group Number	8503351	8503357
	Cylinder Assy	2074126	2074138
1	Tube Wldmt- Cylinder	2074022	2074042
8	Cylinder Rod	1400851	1400857

RIGHT HAND

ITEM	DESCRIPTION 1 2 3 4	LIFT HEIGHT TO BOTTOM OF FORKS	
		2765 mm (108.9 in.)	3365 mm (132.5 in.)
	Mast Group Number	B754 2765	B754 3365
	Cylinder Group Number	8503301	8503307
	Cylinder Assy	2074087	2074093
1	Tube Wldmt- Cylinder	2074022	2074042
8	Cylinder Rod	1400801	1400807

ITEM	PART NO.	DESCRIPTION	QTY
	b	Cylinder Assy	1
1	b	Tube Wldmt-Cylinder	1
2	190887	Sealing Ring	1
3	295649	Screw	1
4	1379063	Piston Ring	1
5	1381056	Piston (RH)	1
5	1381055	Piston (LH)	1
6	264134	Loctite	1
7	2038675	Wear Ring	1
8	b	Cylinder Rod	1
9	1310371	Rod Wiper	1
10	1381086	Rod Seal	1
11	2033296	Gland	1
12	198518	O-Ring	1
13	166659	Back-Up Ring	1
14	357626	Spacer	1
	a 2094192	Sleeve (Included with Kits 2038676 and 2104947)	1

MAIN LIFT CYLINDER
TWO STAGE FULL FREE LIFT – H4.5FTS5, H4.5FT6, H5.0FT, H5.5FT

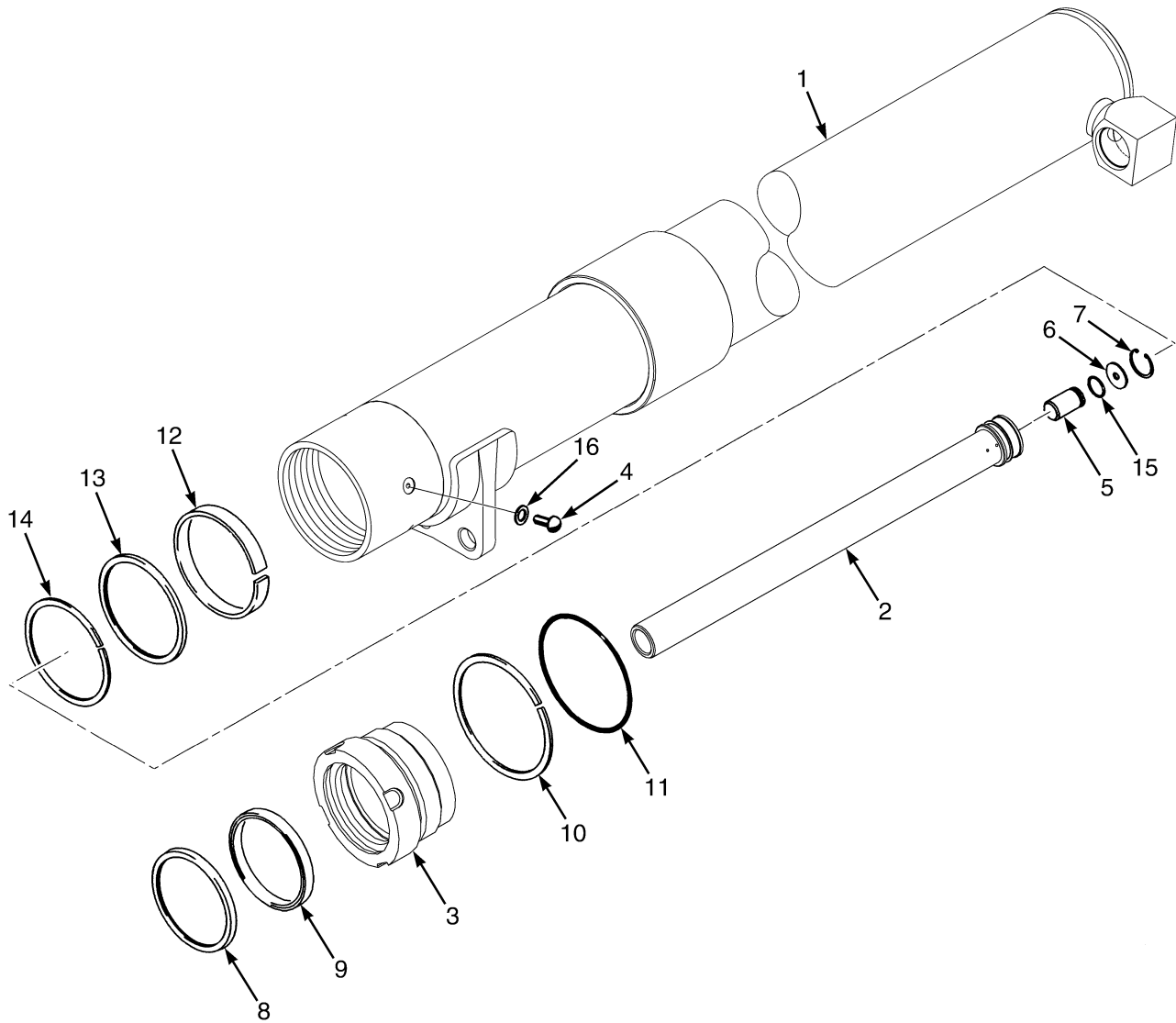
ITEM	PART NO.	DESCRIPTION	QTY
	2038676	Kit-Seal
	2104947	Kit-Seal	1

FOOTNOTES:

a Not Illustrated

b Refer to Table

FREE-LIFT CYLINDER (FIGURE 12-5) TWO STAGE FULL FREE LIFT



BP170446

**FREE-LIFT CYLINDER
TWO STAGE FULL FREE LIFT**

H4.0FTS, H4.0FT6

ITEM	DESCRIPTION 1 2 3 4	LIFT HEIGHT TO BOTTOM OF FORKS	
		3025 mm (119.1 in.)	3625 mm (142.7 in.)
		Mast Group Number	B753 3025
Cylinder Group Number	8544051	8544057	
	Cylinder Assy	2104542	2104548
1	Tube Wldmt- Cylinder	2073257	2073263
2	Cylinder Rod	2037833	2037837

H4.5FTS5, H4.5FT6, H5.0FT, H5.5FT

ITEM	DESCRIPTION 1 2 3 4	LIFT HEIGHT TO BOTTOM OF FORKS	
		2765 mm (108.9 in.)	3365 mm (132.5 in.)
		Mast Group Number	B754 2765
Cylinder Group Number	8518451	8518457	
	Cylinder Assy	2104508	2104514
1	Tube Wldmt- Cylinder	2073626	2073634
2	Cylinder Rod	2062074	2062079

KEY:

A: H4.0FTS, H4.0FT6

B: H4.5FTS5, H4.5FT6, H5.0FT, H5.5FT

ITEM	PART NO.	DESCRIPTION	QTY	
			A	B
	a	Cylinder Assy	1	1
1	a	Tube Wldmt-Cylinder	1	1
2	a	Cylinder Rod	1	1
3	2036282	Gland	1	..
3	1541640	Gland	1
4	1361302	Screw	1	1
5	297538	Check Valve	1	1
6	297531	Washer	1	1
7	187388	Snap Ring	1	1
8	1383070	Rod Wiper	1	1
9	2033395	Seal	1	1
10	164632	Back-Up Ring	1	..
10	615145	Back-Up Ring	1

FREE-LIFT CYLINDER TWO STAGE FULL FREE LIFT

KEY:

A: H4.0FTS, H4.0FT6

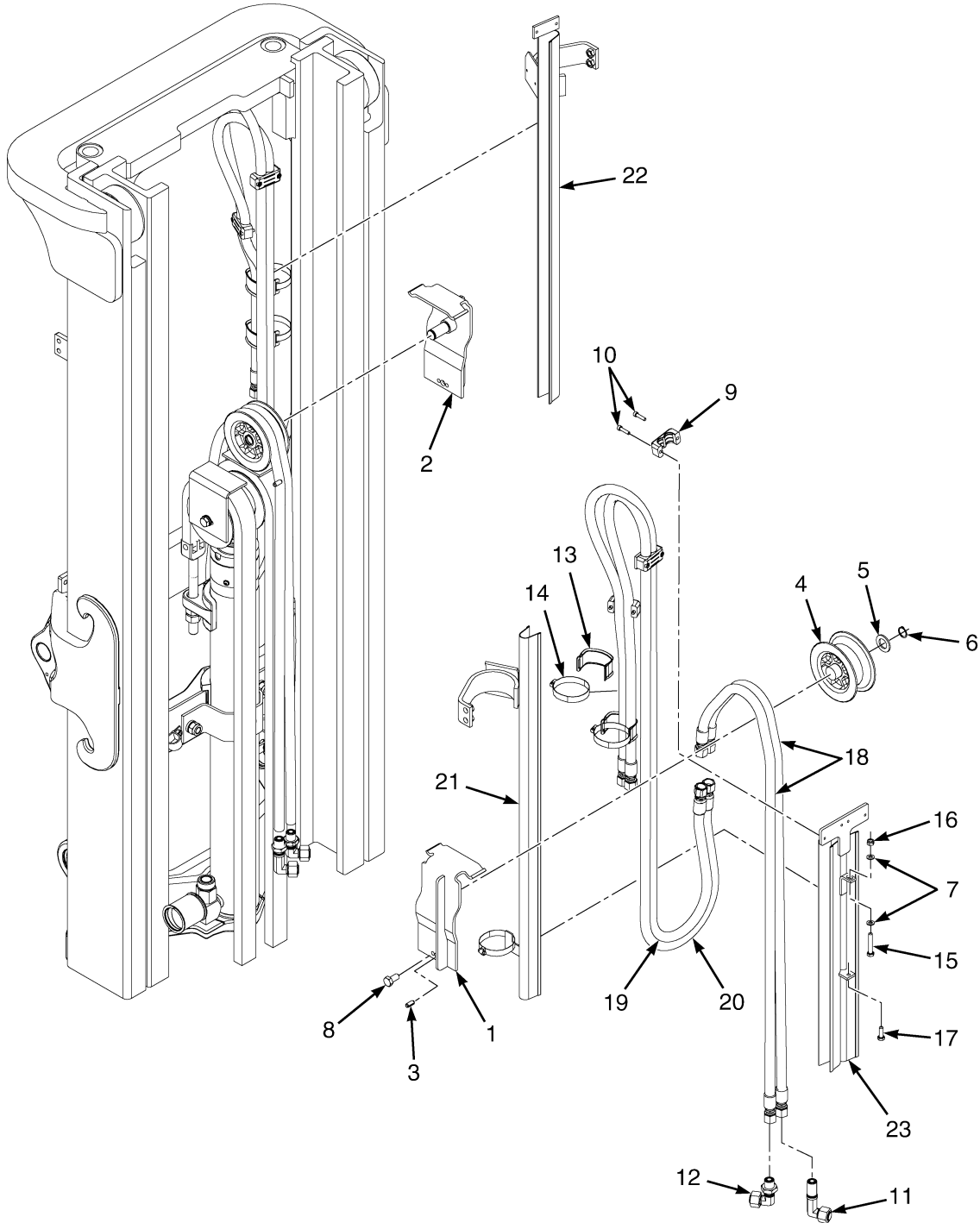
B: H4.5FTS5, H4.5FT6, H5.0FT, H5.5FT

ITEM	PART NO.	DESCRIPTION	QTY	
			A	B
11	46629	O-Ring	1	..
11	15885	O-Ring	1
12	636950	Wear Ring	1	..
12	1380982	Wear Ring	1
13	637162	Rod Seal	1	..
13	364059	Rod Seal	1
14	638293	Back-Up Ring	1	..
14	1381074	Back-Up Ring	1
15	190580	O-Ring	1	1
16	190887	Sealing Ring	1	1
	2036279	Kit-Seal	1	..
	2065889	Kit-Seal	1

FOOTNOTES:

a Refer to Table

HEADER HOSE (FIGURE 12-6) TWO STAGE FULL FREE LIFT



BP290109

**HEADER HOSE
TWO STAGE FULL FREE LIFT
FOUR FUNCTION H4.0FTS, H4.0FT6**

ITEM	DESCRIPTION 1 2 3 4	LIFT HEIGHT TO BOTTOM OF FORKS	
		3025 mm (119.1 in.)	3625 mm (142.7 in.)
	Mast Group Number	B753 3025	B753 3625
18	Hose Assy	2078657	2078663
19	Hose Assy	2083195	2083201
20	Hose Assy	2089674	2089690
21	Channel	1614230	1614236
22	Channel	1614331	1614337
23	Channel	1614406	1614412

THREE FUNCTION H4.0FTS, H4.0FT6

ITEM	DESCRIPTION 1 2 3 4	LIFT HEIGHT TO BOTTOM OF FORKS	
		3025 mm (119.1 in.)	3625 mm (142.7 in.)
	Mast Group Number	B753 3025	B753 3625
18	Hose Assy	2078657	2078663
19	Hose Assy	2083195	2083201
20	Hose Assy	2089674	2089690
21	Channel	1614230	1614236
23	Channel	1614406	1614412

FOUR FUNCTION H4.5FTS5, H4.5FT6, H5.0FT, H5.5FT

ITEM	DESCRIPTION 1 2 3 4	LIFT HEIGHT TO BOTTOM OF FORKS	
		2765 mm (108.9 in.)	3365 mm (132.5 in.)
	Mast Group Number	B754 2765	B754 3365
18	Hose Assy	2078688	2078694
19	Hose Assy	2083196	2083202
20	Hose Assy	2089685	2089691
21	Channel	1614230	1614236
22	Channel	1614331	1614337
23	Channel	1614403	1614409

HEADER HOSE TWO STAGE FULL FREE LIFT

THREE FUNCTION H4.5FTS5, H4.5FT6, H5.0FT, H5.5FT

ITEM	DESCRIPTION 1 2 3 4	LIFT HEIGHT TO BOTTOM OF FORKS	
		2765 mm (108.9 in.)	3365 mm (132.5 in.)
		Mast Group Number	B754 2765
18	Hose Assy	2078688	2078694
19	Hose Assy	2083196	2083202
20	Hose Assy	2089685	2089691
21	Channel	1614230	1614236
23	Channel	1614403	1614409

KEY:

A: Three Function

B: Four Function

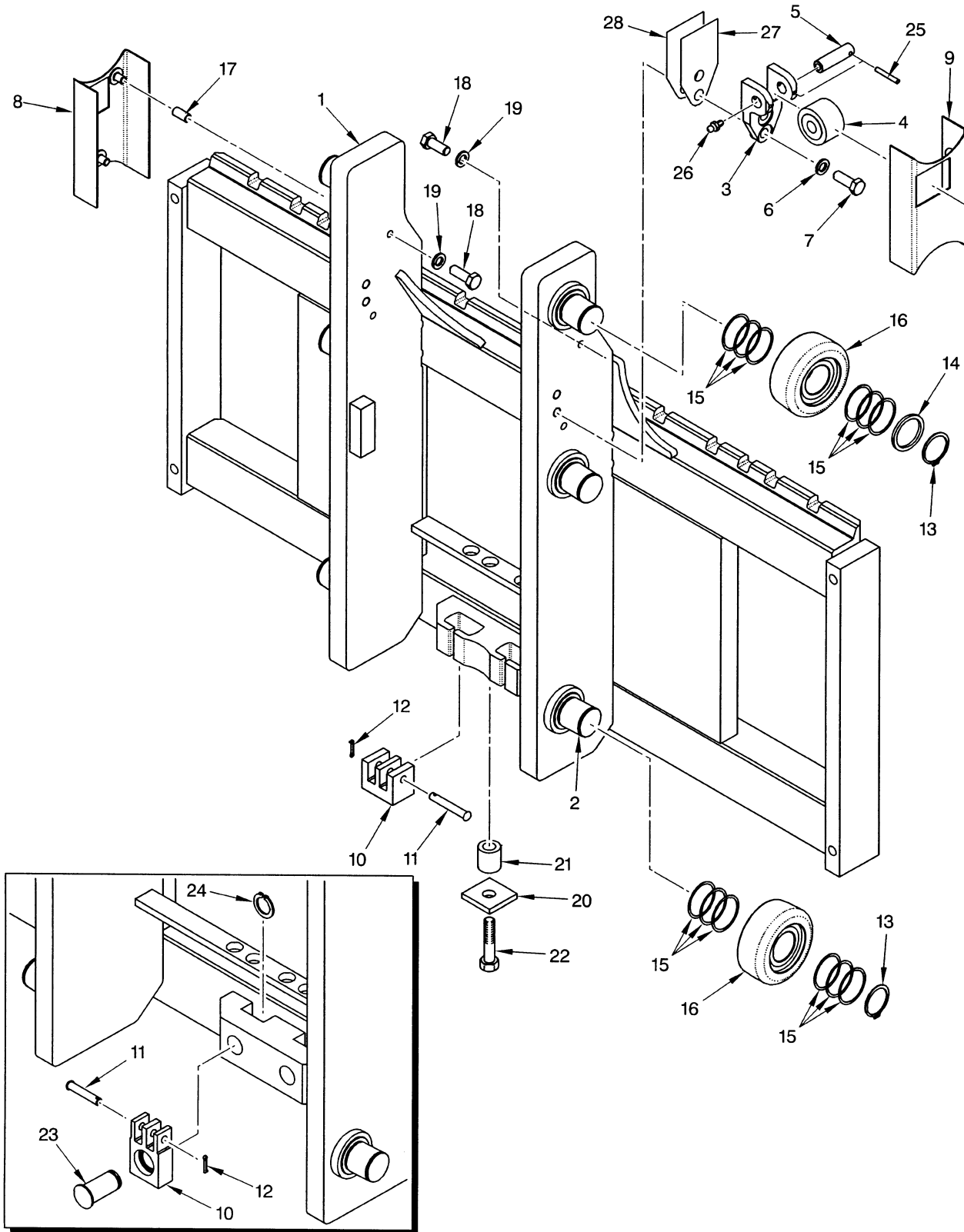
ITEM	PART NO.	DESCRIPTION	QTY	
			A	B
1	1541242	Bracket Wldmt (RH)	1	1
2	1541243	Bracket Wldmt (LH)	1
3	302472	Roll Pin	1	2
4	1495279	Hose Sheave	1	2
5	1581560	Washer	1	2
6	58902	Snap Ring	1	2
7	1581556	Washer	2	2
8	1581590	Capscrew	1	2
9	2035791	Hose Clamp	3	6
10	1581741	Capscrew	6	12
11	1550425	Fitting	1	2
11	265731	O-Ring	2	2
11	816593	Locknut	1	1
12	1528580	Fitting	1	2
12	265731	O-Ring	2	2
12	816593	Locknut	1	1
13	1465489	Hose Clamp	2	4
14	1569979	Clamp	3	6
15	1581583	Capscrew	1	1
16	1581566	Nut	1	1
17	136749	Screw	1	1
18	b	Hose Assy	2	4
19	b	Hose Assy	1	2
20	b	Hose Assy	1	2
21	b	Channel	1	1
22	b	Channel	1
23	b	Channel	1	1
	a 1529016	Fitting (Cap)	2	4

FOOTNOTES:

a Not Illustrated

b Refer to Table

STANDARD CARRIAGE (FIGURE 12-7) TWO STAGE FULL FREE-LIFT



HP170766

**STANDARD CARRIAGE
TWO STAGE FULL FREE-LIFT****KEY:****A: H4.00FTS, H4.0FT6****B: H4.5FTS5, H4.5FT6, H5.0-5.5FT****C: H4.5FT (Attachment Carriage)**

ITEM	PART NO.	DESCRIPTION	QTY		
			A	B	C
	2109343	Carriage (1219 mm)	1
	2109348	Carriage (1524 mm)	1
	2038562				
	4622823	Carriage (1219mm)	1	..
	2038564				
	4622824	Carriage (1372 mm)	1	..
	2038565				
	4622822	Carriage (1372 mm)	1
	2038566				
	4622825	Carriage (1524 mm)	1	..
1	1699955	Carriage Wldmt (1219 mm)	1
1	1699995	Carriage Wldmt (1524 mm)	1
1	1394991				
	4058053	Carriage Wldmt (1219 mm)	1	..
1	1394992				
	4058054	Carriage Wldmt (1372 mm)	1	..
1	1394993				
	4058055	Carriage Wldmt (1524 mm)	1	..
1	1465885				
	4058057	Carriage Wldmt (1372 mm)	1
2	1500744	Stubshaft	6	6	6
3	1465177	Bracket	2
4	1387993				
	1670064	Thrust Bearing (Side Thrust Roller)	2
4	1387993				
	1670064	Thrust Bearing (Side Thrust Roller) (Alternate Part)	2
5	1465028	Pin	2
5	1670065	Pin (Alternate Part)	2
6	292683	Lockwasher	4
7	292528	Capscrew	4
8	319323	Bracket Wldmt (Guard LH)	1	1	1
9	319322	Bracket Wldmt (Guard RH)	1	1	1
10	1387548	Chain Anchor	2
10	1480392	Chain Anchor	2	2
11	1387549	Pin (Anchor)	2
11	339932	Pin (Anchor)	2	2
12	15222	Cotter Pin	2	2	2
13	1465072	Snap Ring	6	6	6
14	1399224	Spacer	2	2	2
15	126765	Shim	AR	AR	24
16	a 1511882	Load Roller ("A") (103.68/103.42) ("A")	6	6	..
16	a 1511883	Load Roller ("B") (104.44/104.18) ("B") (0,26 mm)	6	6	6
16	a 1511884	Load Roller ("C") (105.20/104.94) ("C") (1,52 mm)	6	6	..
17	317292	Spacer	4	4	4

STANDARD CARRIAGE TWO STAGE FULL FREE-LIFT

KEY:

A: H4.00FTS, H4.0FT6

B: H4.5FTS5, H4.5FT6, H5.0-5.5FT

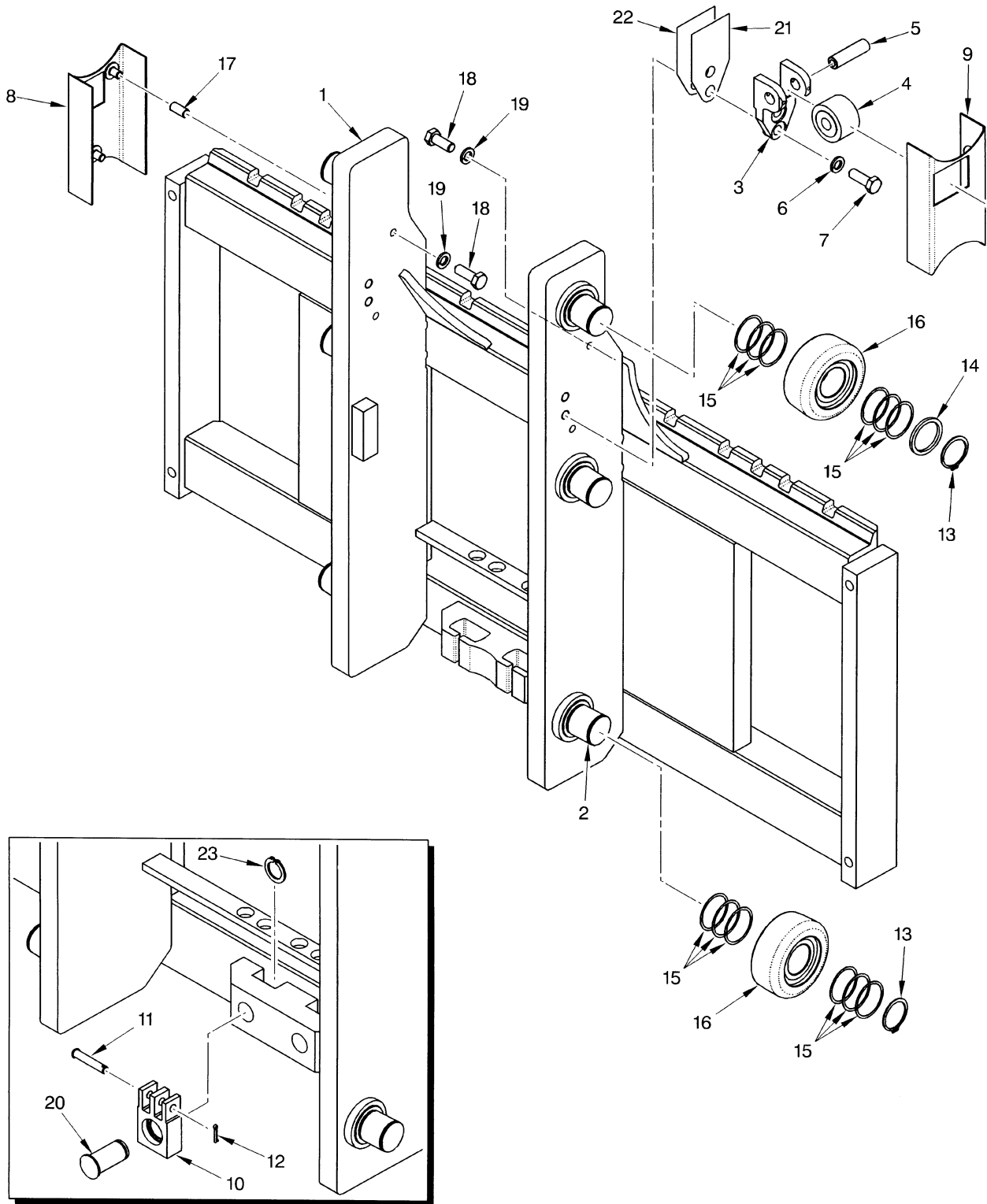
C: H4.5FT (Attachment Carriage)

ITEM	PART NO.	DESCRIPTION	QTY		
			A	B	C
18	18518	Capscrew	4	4	4
19	15155	Lockwasher	4	4	4
20	1400126	Plate	1
21	1400125	Spacer	1
22	292508	Capscrew	1
23	320327	Pin	2	2
24	131358	Snap Ring	2	2
25	66333	Roll Pin	2
26	16001	Grease Fitting	2
27	192425	Shim (1.575 mm)	AR
28	192424	Shim (0.762 mm)	AR

FOOTNOTES:

- a Letter Located on Inside Surface of Load Roller

ATTACHMENT CARRIAGE (FIGURE 12-8) TWO STAGE FULL FREE-LIFT — H4.5FT

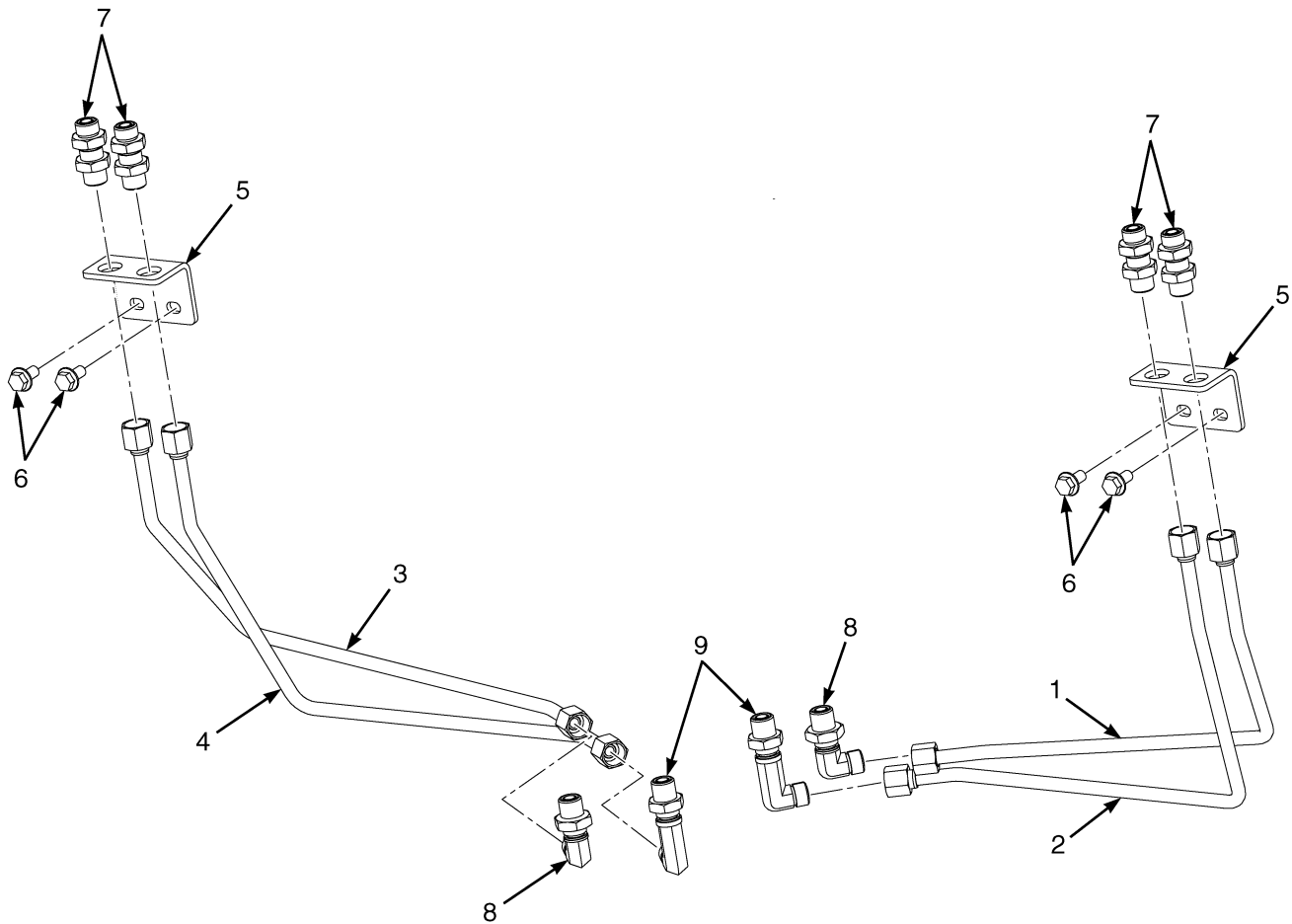


BP000731

ATTACHMENT CARRIAGE
TWO STAGE FULL FREE-LIFT – H4.5FT

ITEM	PART NO.	DESCRIPTION	QTY
	2038565		
1	4622822	Carriage (1372 mm)	1
	1465885		
2	4058057	Carriage Wldmt (1372 mm)	1
3	1500744	Stubshaft	6
3	1465177	Bracket	2
4	1387993		
	1670064	Thrust Bearing (Side Thrust Roller)	2
5	1670065	Pin	2
6	292683	Lockwasher	4
7	292528	Capscrew	4
8	319323	Bracket Wldmt (Guard LH)	1
9	319322	Bracket Wldmt (Guard RH)	1
10	1480392	Chain Anchor	2
11	339932	Pin (Anchor)	2
12	15222	Cotter Pin	2
13	1465072	Snap Ring	6
14	1399224	Spacer	2
15	126765	Shim	24
16	1511883	Load Roller ("B") (104.44/104.18)	6
17	317292	Spacer	4
18	18518	Capscrew	4
19	15155	Lockwasher	4
20	320327	Pin	2
21	192425	Shim (1.575 mm)	6
22	192424	Shim (0.762 mm)	8
23	131358	Snap Ring	2

HEADER HOSE AUXILIARY TUBE EXTENSIONS WITHOUT QUICK DISCONNECTS (FIGURE 12-9) TWO STAGE FULL FREE LIFT — STANDARD CARRIAGE

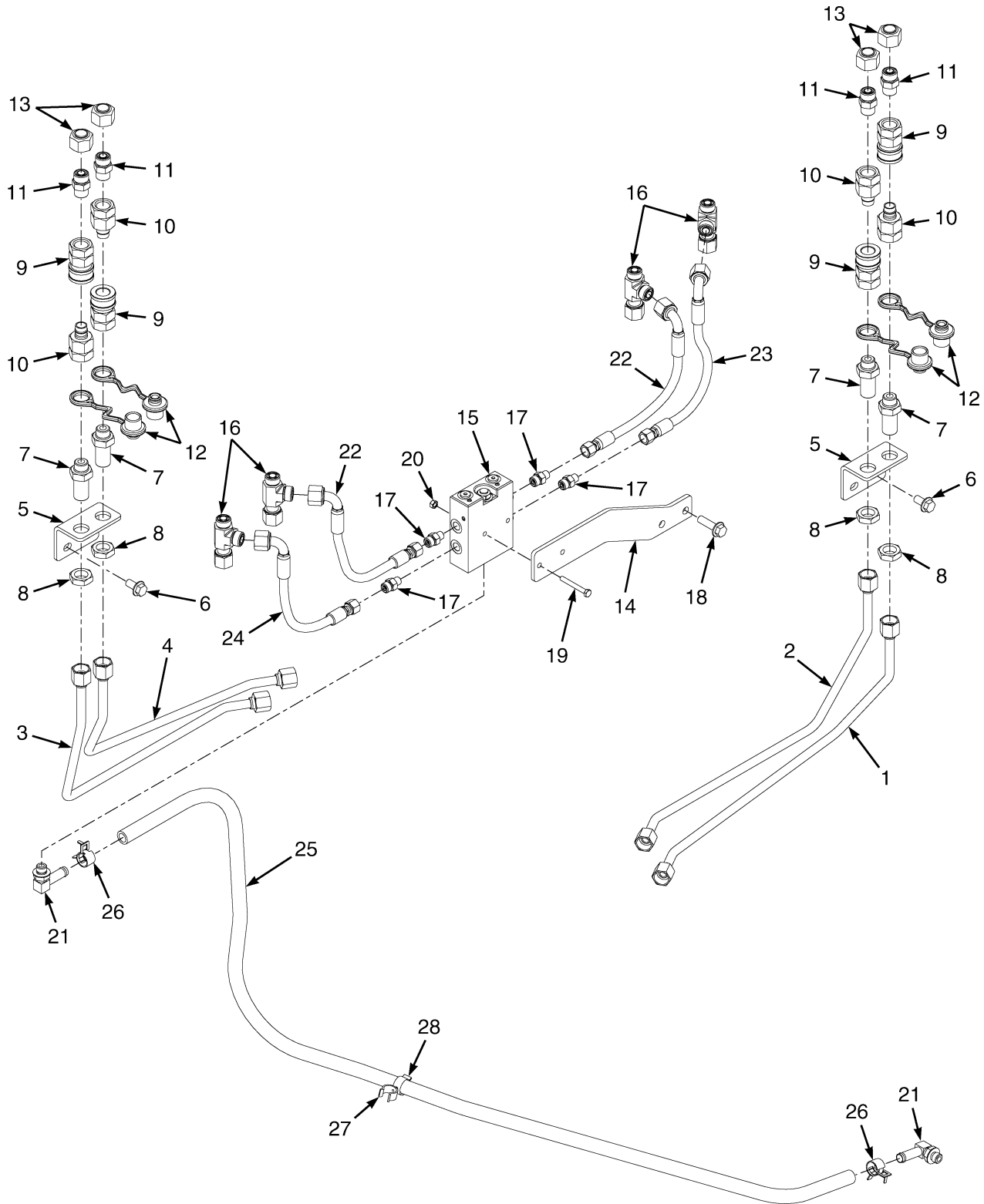


BP290119

**HEADER HOSE AUXILIARY TUBE EXTENSIONS WITHOUT QUICK DISCONNECTS
TWO STAGE FULL FREE LIFT – STANDARD CARRIAGE****KEY:****A: H4.0FT5, H4.0FT6, H4.5FTS5 — Three Function****B: H4.0FT5, H4.0FT6, H4.5FTS5 — Four Function****C: H4.5FT6, H5.0-5.5FT — Three Function****D: H4.5FT6, H5.0-5.5FT — Four Function**

ITEM	PART NO.	DESCRIPTION	QTY			
			A	B	C	D
1	2093653	Tube Assy	1	1
1	2093657	Tube Assy	1	1
2	2093654	Tube Assy	1	1
2	2093658	Tube Assy	1	1
3	2093655	Tube Assy	1
3	2093659	Tube Assy	1
4	2093656	Tube Assy	1
4	2093660	Tube Assy	1
5	1692933	Bracket (RH and LH Bolt On)	1	2	1	2
6	1527883	Capscrew	2	4	2	4
7	816591	Fitting	2	4	2	4
8	1528580	Fitting	1	2	1	2
9	1550425	Fitting	1	2	1	2

HEADER HOSE AUXILIARY TUBE EXTENSIONS WITH QUICK DISCONNECTS (FIGURE 12-10) TWO STAGE FULL FREE- LIFT — STANDARD CARRIAGE



BP000701

HEADER HOSE AUXILIARY TUBE EXTENSIONS WITH QUICK DISCONNECTS TWO STAGE FULL FREE- LIFT – STANDARD CARRIAGE

KEY:**A: H4.0FT5, H4.0FT6, H4.5FTS5 — Three Function****B: H4.0FT5, H4.0FT6, H4.5FTS5 — Four Function****C: H4.5FT6, H5.0-5.5FT — Three Function****D: H4.5FT6, H5.0-5.5FT — Four Function**

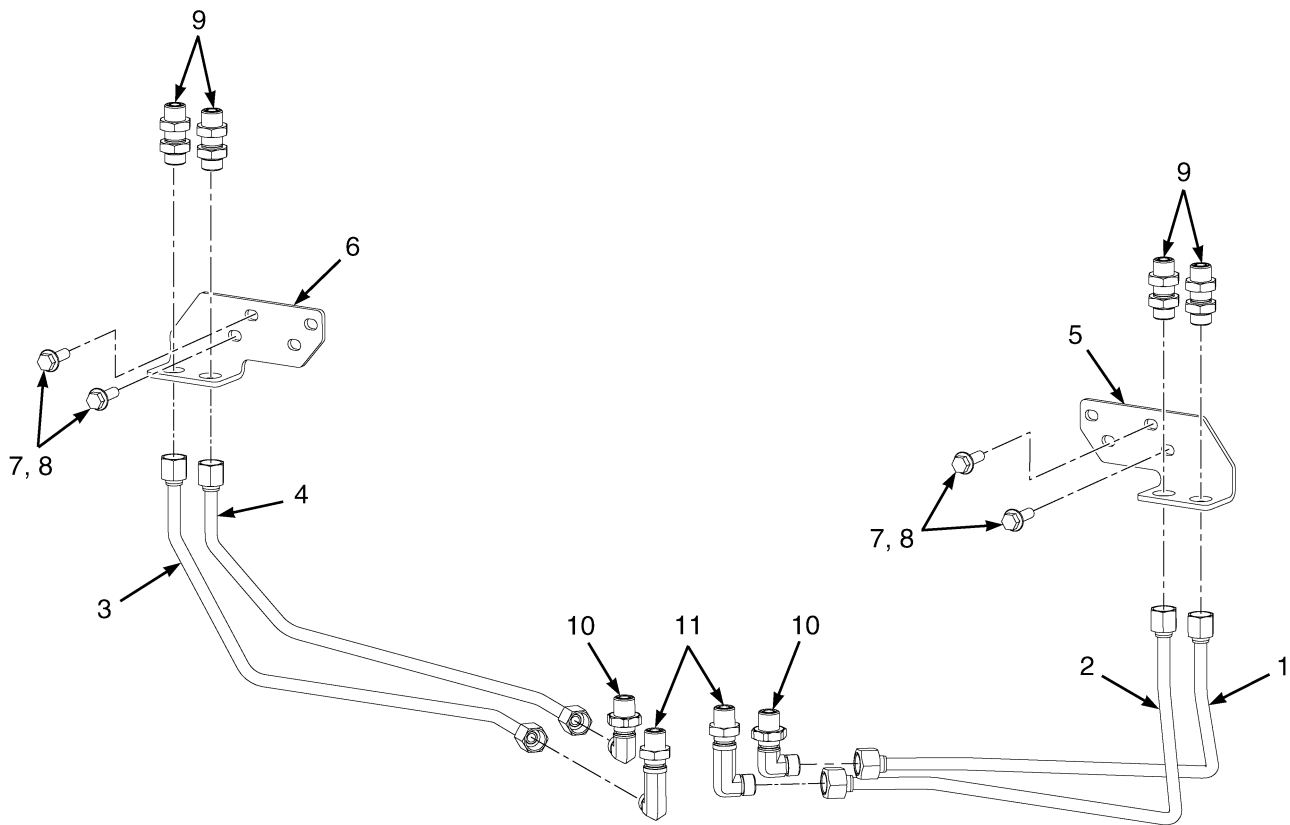
ITEM	PART NO.	DESCRIPTION	QTY			
			A	B	C	D
1	2093653	Tube Assy	1	1
1	2093657	Tube Assy	1	1
2	2093654	Tube Assy	1	1
2	2093658	Tube Assy	1	1
3	2093655	Tube Assy	1
3	2093659	Tube Assy	1
4	2093656	Tube Assy	1
4	2093660	Tube Assy	1
5	1692933	Bracket (RH and LH Bolt On)	1	2	1	2
6	1527883	Capscrew	2	4	2	4
7	1708365	Bulkhead	2	4	2	4
8	816593	Locknut	2	4	2	4
9	1377953	Quick Disconnect Fitting	2	4	2	4
10	1377954	Fitting	2	4	2	4
11	1473887	Fitting	2	4	2	4
11	265731	O-Ring	1	1	1	1
11	16484	O-Ring	1	1	1	1
12	1708368	Dust Cover	2	4	2	4
13	1529016	Fitting	2	4	2	4
14	a 1708373	Bracket	1	1	1	1
15	ab 2111754	Valve	1	..	1	..
15	a 2111755	Valve	1	..	1
15	a 4010971	Check Valve	2	4	2	4
15	a 4010972	Valve	1	1	1	1
16	a 1487095	Fitting	2	4	2	4
16	a 265731	O-Ring	2	2	2	2
17	a 1486737	Fitting	2	4	2	4
17	a 1527813	O-Ring	1	1	1	1
17	a 16481	O-Ring	1	1	1	1
18	a 1527885	Capscrew	2	2	2	2
19	a 292505	Capscrew	2	2	2	2
20	a 302399	Nut	2	2	2	2
21	a 110178	Fitting	2	2	2	2
22	a 4604565	Hose Assy	1	2	1	2
23	a 4604566	Hose Assy	1	1	1	1
24	a 4604568	Hose Assy	1	..	1
25	a 1399093	Hose Assy	1	1	1	1
26	a 1527979	Hose Clamp	2	2	2	2
27	a 1502059	Clamp (Swivel)	1	1	1	1
28	a 1502066	Clamp (Swivel)	1	1	1	1

FOOTNOTES:

a Electronic Hydraulic Control Only

b Not Illustrated

HEADER HOSE AUXILIARY TUBE EXTENSIONS WITHOUT QUICK DISCONNECTS (FIGURE 12-11) TWO STAGE FULL FREE- LIFT — ATTACHMENT CARRIAGE

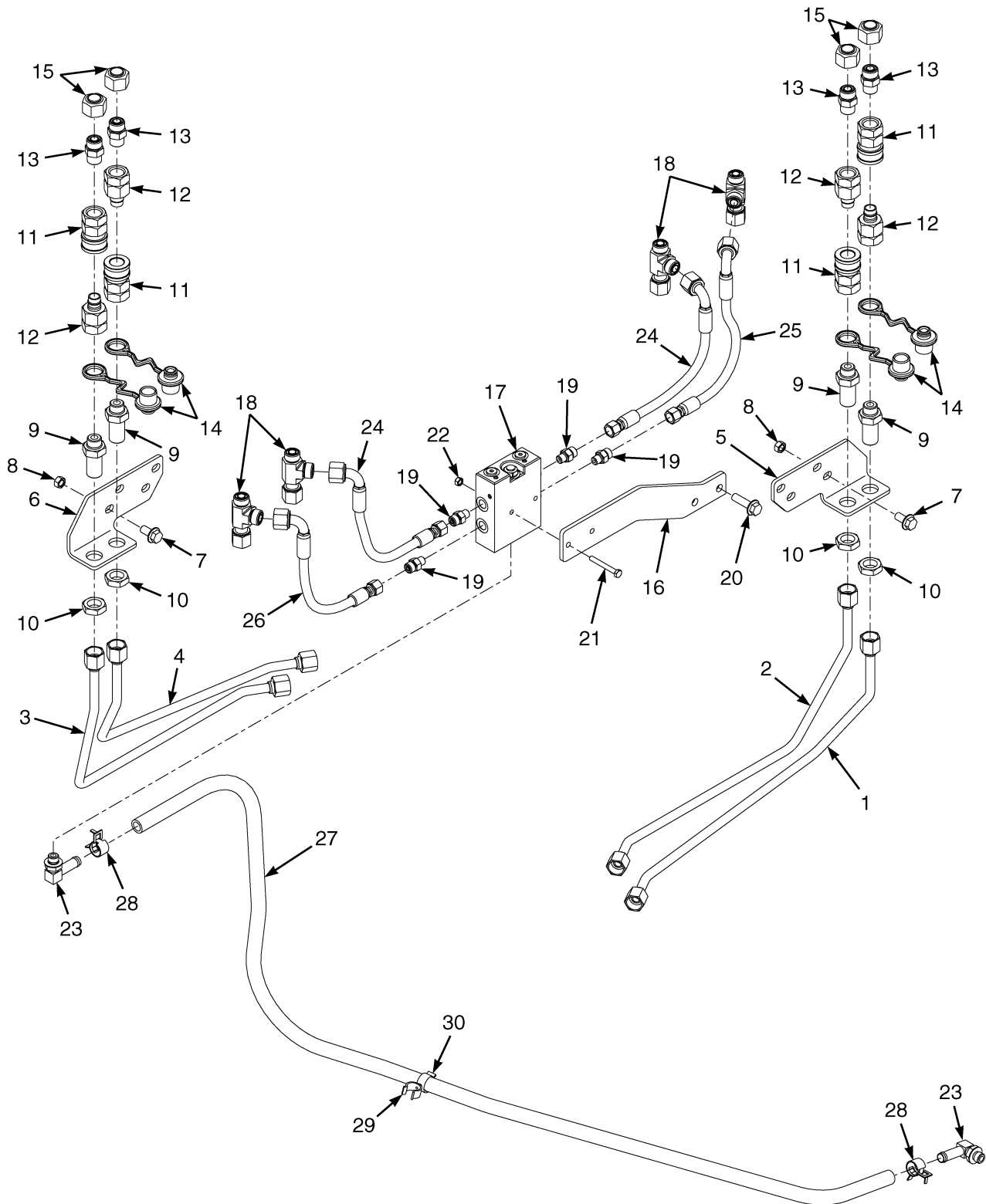


BP000708

**HEADER HOSE AUXILIARY TUBE EXTENSIONS WITHOUT QUICK DISCONNECTS
TWO STAGE FULL FREE- LIFT – ATTACHMENT CARRIAGE****KEY:****A: H4.5FT — Three Function****B: H4.5FT — Four Function**

ITEM	PART NO.	DESCRIPTION	QTY	
			A	B
1	2093665	Tube Assy	1	1
2	2093666	Tube Assy	1	1
3	2093667	Tube Assy	1
4	2093668	Tube Assy	1
5	1692931	Bracket (Bolt-On) (RH)	1	1
6	1692932	Bracket (Bolt-On) (LH)	1
7	1527884	Capscrew	2	4
8	136692	Nut	2	4
9	816591	Fitting	2	4
9	265731	O-Ring	2	2
9	816593	Locknut	1	1
10	1528580	Fitting	1	2
10	265731	O-Ring	2	2
10	816593	Locknut	1	1
11	1550425	Fitting	1	2
11	265731	O-Ring	2	2
11	816593	Locknut	1	1

HEADER HOSE AUXILIARY TUBE EXTENSIONS WITH QUICK DISCONNECTS (FIGURE 12-12) TWO STAGE FULL FREE-LIFT — ATTACHMENT CARRIAGE



BP000706

HEADER HOSE AUXILIARY TUBE EXTENSIONS WITH QUICK DISCONNECTS TWO STAGE FULL FREE-LIFT – ATTACHMENT CARRIAGE

KEY:**A: H4.5FT — Three Function****B: H4.5FT — Four Function**

ITEM	PART NO.	DESCRIPTION	QTY	
			A	B
1	2093665	Tube Assy	1	1
2	2093666	Tube Assy	1	1
3	2093667	Tube Assy	1
4	2093668	Tube Assy	1
5	1692931	Bracket (Bolt-On) (RH)	1	1
6	1692932	Bracket (Bolt-On) (LH)	1
7	1527884	Capscrew	2	4
8	136692	Nut	2	4
9	1708365	Bulkhead	2	4
10	816593	Locknut	2	4
11	1377953	Quick Disconnect Fitting	2	4
12	1377954	Fitting	2	4
13	1473887	Fitting	2	4
13	265731	O-Ring	1	1
13	16484	O-Ring	1	1
14	1708368	Dust Cover	2	4
15	1529016	Fitting	2	4
16	a 1708373	Bracket	1	1
17	ab 2111754	Valve	1	..
17	a 2111755	Valve	1
17	a 4010971	Check Valve	2	4
17	a 4010972	Valve	1	1
18	a 1487095	Fitting	2	4
18	a 265731	O-Ring	2	2
19	a 1486737	Fitting	2	4
19	a 1527813	O-Ring	1	1
19	a 16481	O-Ring	1	1
20	a 1527885	Capscrew	2	2
21	a 292505	Capscrew	2	2
22	a 302399	Nut	2	2
23	a 110178	Fitting	2	2
24	a 4604565	Hose Assy	1	2
25	a 4604566	Hose Assy	1	1
26	a 4604568	Hose Assy	1
27	a 1399093	Hose Assy	1	1
28	a 1527979	Hose Clamp	2	2
29	a 1502059	Clamp (Swivel)	1	1
30	a 1502066	Clamp (Swivel)	1	1

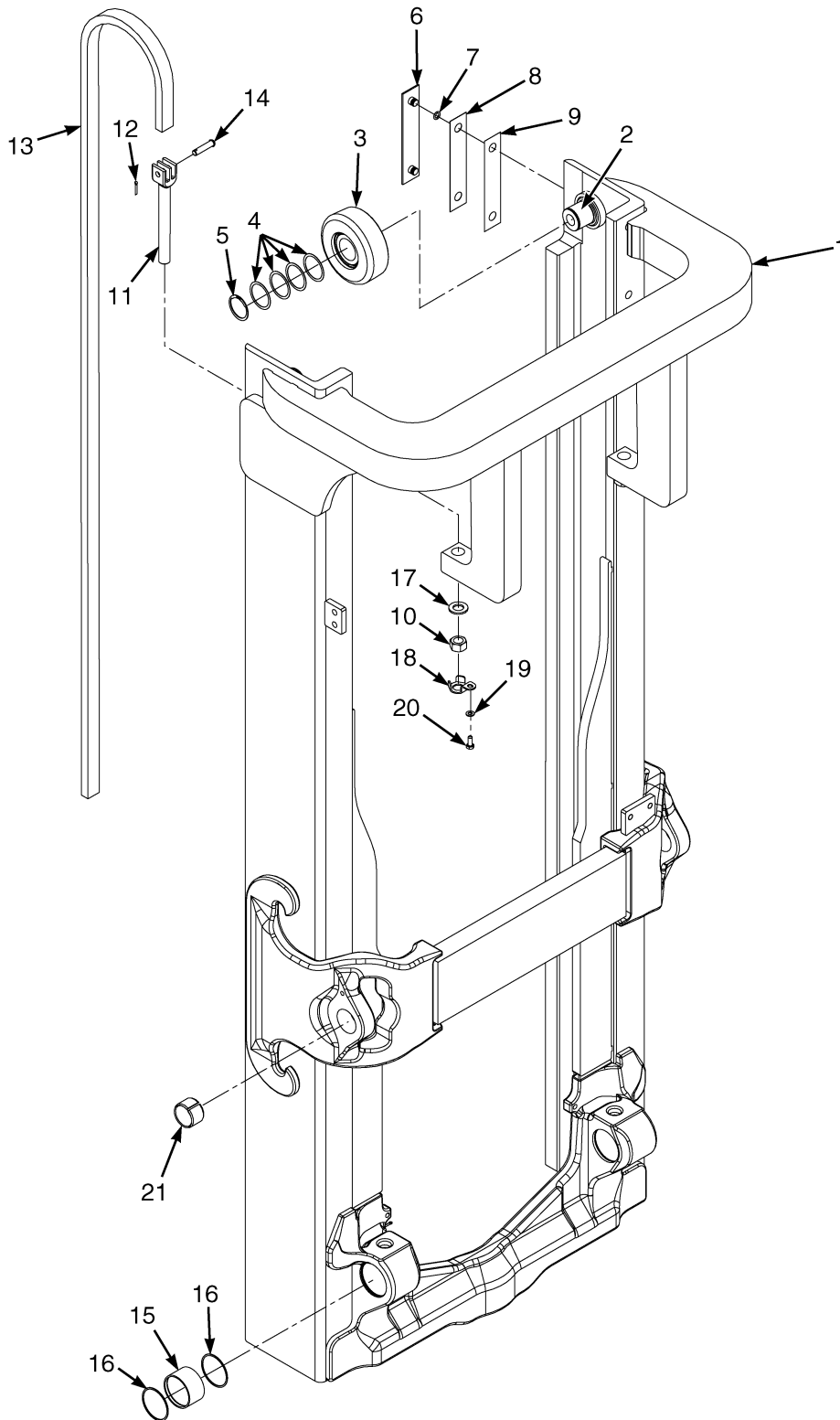
FOOTNOTES:**a** Electronic Hydraulic Control Only**b** Not Illustrated

SECTION 13

MAST-THREE STAGE FULL FREE-LIFT

DESCRIPTION	PAGE
ATTACHMENT CARRIAGE	
THREE STAGE FULL FREE-LIFT - H4.5FT	13-34
FREE-LIFT CYLINDER	
THREE STAGE FULL FREE-LIFT	13-24
HEADER HOSE	
THREE STAGE FULL FREE LIFT	13-28
HEADER HOSE AUXILIARY TUBE EXTENSIONS WITH QUICK DISCONNECTS	
THREE STAGE FULL FREE-LIFT - STANDARD CARRIAGE	13-38
THREE STAGE FULL FREE-LIFT - ATTACHMENT CARRIAGE	13-44
HEADER HOSE AUXILIARY TUBE EXTENSIONS WITHOUT QUICK DISCONNECTS	
THREE STAGE FULL FREE LIFT - STANDARD CARRIAGE	13-36
THREE STAGE FULL FREE- LIFT - ATTACHMENT CARRIAGE	13-42
INNER MAST	
THREE STAGE FULL FREE-LIFT	13-10
INNER MAST AND FREE-LIFT	
THREE STAGE FULL FREE-LIFT	13-12
INTERMEDIATE MAST	
THREE STAGE FULL FREE LIFT	13-6
MAIN LIFT	
THREE STAGE FULL FREE-LIFT	13-16
MAIN LIFT CYLINDER	
THREE STAGE FULL FREE LIFT	13-20
OUTER MAST	
THREE STAGE FULL FREE-LIFT	13-2
STANDARD CARRIAGE	
THREE STAGE FULL FREE LIFT	13-32

OUTER MAST (FIGURE 13-1) THREE STAGE FULL FREE-LIFT



BP170629

**OUTER MAST
THREE STAGE FULL FREE-LIFT
H4.0FTS, H4.0FT6**

ITEM	DESCRIPTION 1 2 3 4	LIFT HEIGHT TO BOTTOM OF FORKS				
		4365 mm (171.9 in.)	4900 mm (192.9 in.)	5200 mm (204.7 in.)	5500 mm (216.5 in.)	5950 mm (234.3 in.)
		Mast Group Number B751 4365	B751 4900	B751 5200	B751 5500	B751 5950
	Mast Assy	2071871	2071874	2071876	2071878	2071881
1	Outer Mast	1573520	1573523	1573525	1573527	1573530
13	Chain	191081	194607	191085	191072	206749

H4.5FTS5, H4.5FT6, H5.0FT, H5.5FT

ITEM	DESCRIPTION 1 2 3 4	LIFT HEIGHT TO BOTTOM OF FORKS		
		4087 mm (160.9 in.)	4940 mm (194.5 in.)	5240 mm (206.3 in.)
		Mast Group Number B752 4087	B752 4940	B752 5240
	Mast Assy	2071898	2071903	2071905
1	Outer Mast	1573520	1573525	1573527
13	Chain	280878	339934	356916

ITEM	PART NO.	DESCRIPTION	QTY
	a	Mast Assy	1
1	a	Outer Mast	1
2	1500744	Stubshaft	2
3	1399203	Load Roller ("A") (126.75/126.49)	2
3	1399204	Load Roller ("B") (127.51/127.25)	2
3	1399205	Load Roller ("C") (128.27/128.01)	2
4	126765	Shim	AR
5	1465072	Snap Ring	2
6	104264	Wear Strip	2
7	104506	O-Ring	4
8	161273	Shim (0.508 mm)	AR
9	161272	Shim (0.178 mm)	AR
10	1581896	Nut	2
11	1331990	Chain Anchor (H4.0FTS, H4.0FT6)	2
11	1331991	Chain Anchor (H4.5FTS5, H4.5FT6, H5.0FT, H5.5FT)	2
12	15222	Cotter Pin	2
13	a	Chain	2
14	339932	Pin (H4.5FTS5, H4.5FT6, H5.0FT, H5.5FT)	2
14	327591	Pin (H4.0FTS, H4.0FT6)	1
15	1485449	Bushing	2
16	1465518	Snap Ring	4
17	1626490	Washer	2
18	4038137	Bracket (Retainer nut)	2
19	1581556	Washer	2
20	1581590	Capscrew	2

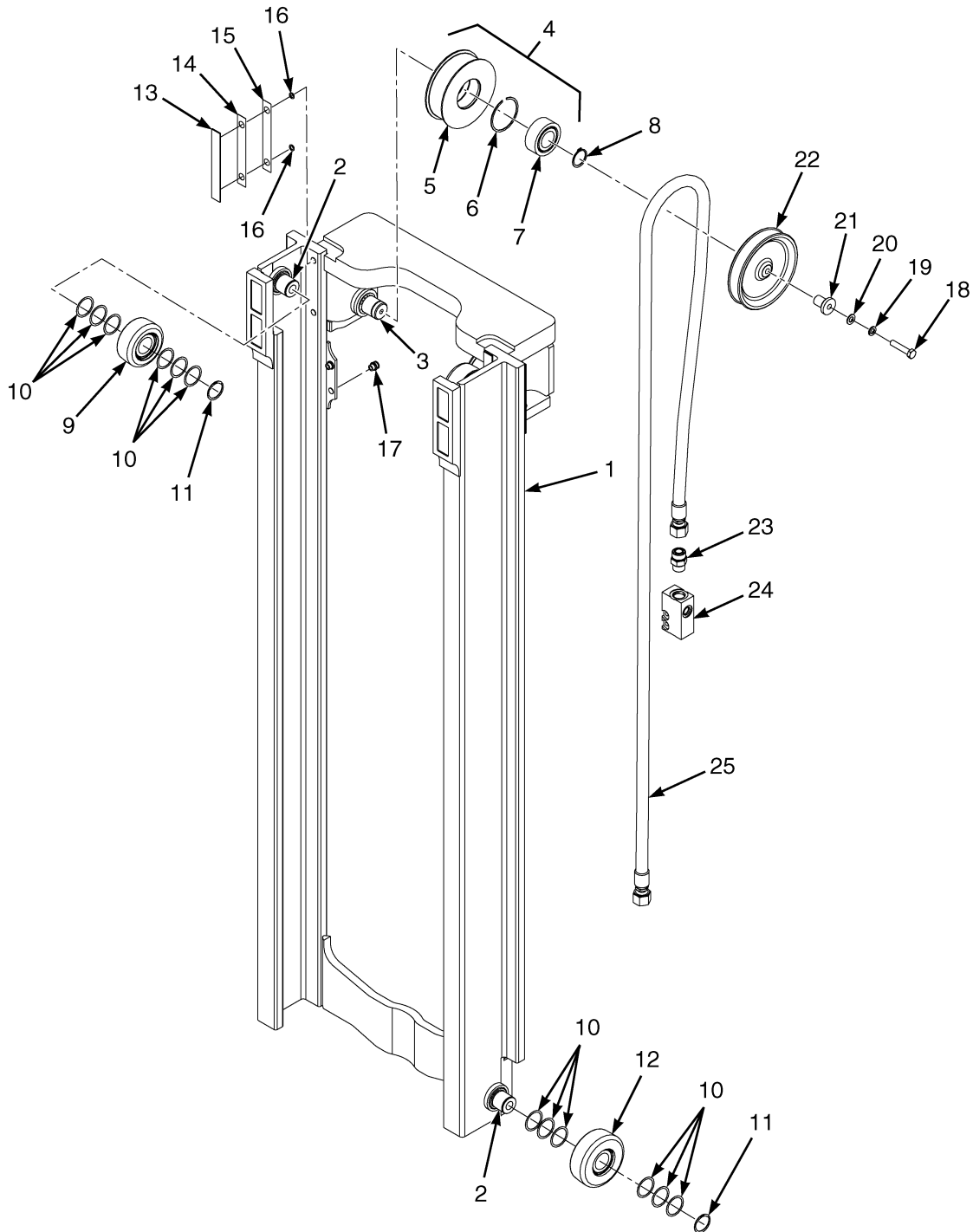
**OUTER MAST
THREE STAGE FULL FREE-LIFT**

ITEM	PART NO.	DESCRIPTION	QTY
21	192429	Bushing	2

FOOTNOTES:

- a Refer to Table

INTERMEDIATE MAST (FIGURE 13-2) THREE STAGE FULL FREE LIFT



BP170630

**INTERMEDIATE MAST
THREE STAGE FULL FREE LIFT**

H4.0FTS, H4.0FT6

ITEM	DESCRIPTION 1 2 3 4	LIFT HEIGHT TO BOTTOM OF FORKS				
		4365 mm (171.9 in.)	4900 mm (192.9 in.)	5200 mm (204.7 in.)	5500 mm (216.5 in.)	5950 mm (234.3 in.)
		Mast Group Number B751 4365	B751 4900	B751 5200	B751 5500	B751 5950
	Mast Assy	2071871	2071874	2071876	2071878	2071881
1	Intermediate Mast	1574162	1574165	1574167	1574169	1574172
25	Hose Assy	2072080	2072083	2072085	2072087	2072090

H4.5FTS5, H4.5FT6, H5.0FT, H5.5FT

ITEM	DESCRIPTION 1 2 3 4	LIFT HEIGHT TO BOTTOM OF FORKS		
		4087 mm (160.9 in.)	4940 mm (194.5 in.)	5240 mm (206.3 in.)
		Mast Group Number B752 4087	B752 4940	B752 5240
	Mast Assy	2071898	2071903	2071905
1	Intermediate Mast	1574162	1574167	1574169
25	Hose Assy	2072080	2072085	2072087

ITEM	PART NO.	DESCRIPTION	QTY
	a	Mast Assy	1
1	a	Intermediate Mast	1
2	1500744	Stubshaft	4
3	1389932	Stubshaft	2
4	1389780	Chain Sheave (Assembly) (H4.0FTS, H4.0FT6)	2
4	1389779	Chain Sheave (Assembly) (H4.5FTS5, H4.5FT6, H5.0FT, H5.5FT)	2
5	1389673	Chain Sheave (H4.0FTS, H4.0FT6)	1
5	1389672	Chain Sheave (H4.5FTS5, H4.5FT6, H5.0FT, H5.5FT)	1
6	41531	Snap Ring (Internal)	1
7	126764	Double Row Bearing	1
8	12891	Snap Ring	2
9	1399204	Load Roller ("B") (127.51/127.25)	2
9	1399203	Load Roller ("A") (126.75/126.49) (Alternate)	2
9	1399205	Load Roller ("C") (128.27/128.01) (Alternate)	2
10	126765	Shim	24
11	1465072	Snap Ring	2
12	1511883	Load Roller ("B") (104.44/104.18)	2
12	1511882	Load Roller ("A") (103.68/103.42) (Alternate)	2
12	1511884	Load Roller ("C") (105.20/104.94) (Alternate)	2
13	215211	Wear Strip	2
14	131716	Shim (0.508 mm)	AR
15	131715	Shim (0.178 mm)	AR
16	104506	O-Ring	4
17	1466633	Insert	4
18	1581592	Capscrew	1

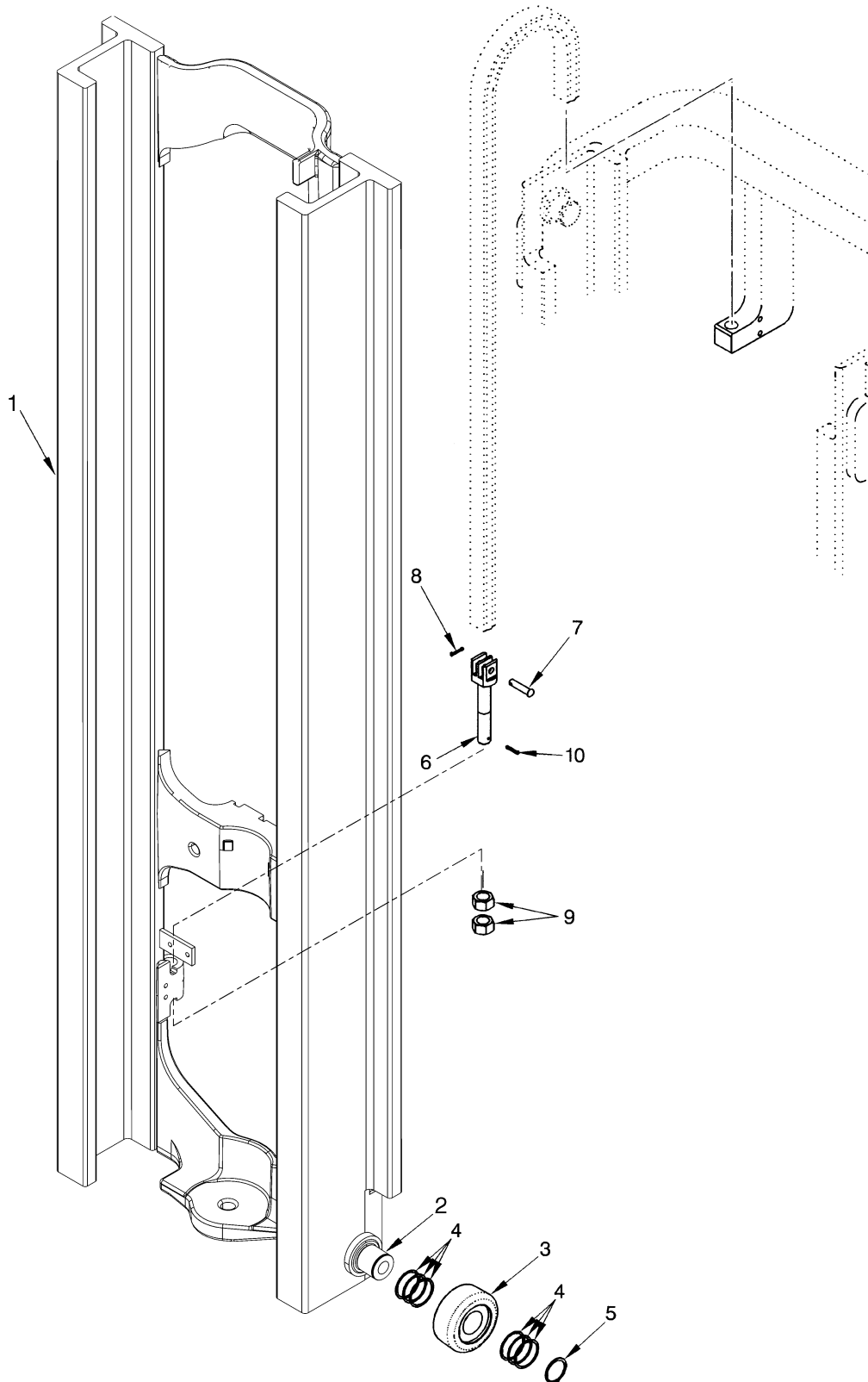
**INTERMEDIATE MAST
THREE STAGE FULL FREE LIFT**

ITEM	PART NO.	DESCRIPTION	QTY
19	1581564	Lockwasher	1
20	1581559	Washer	1
21	1387552	Stubshaft	1
22	2036778	Hose Sheave	1
23	1473888	Fitting	1
24	1388019	Housing (Lowering Control)	1
25	a	Hose Assy	1

FOOTNOTES:

a Refer to Table

INNER MAST (FIGURE 13-3) THREE STAGE FULL FREE-LIFT



BP170209

**INNER MAST
THREE STAGE FULL FREE-LIFT
H4.0FTS, H4.0FT6**

ITEM	DESCRIPTION 1 2 3 4	LIFT HEIGHT TO BOTTOM OF FORKS				
		4365 mm (171.9 in.)	4900 mm (192.9 in.)	5200 mm (204.7 in.)	5500 mm (216.5 in.)	5950 mm (234.3 in.)
		Mast Group Number	B751 4365	B751 4900	B751 5200	B751 5500
	Mast Assy	2071871	2071874	2071876	2071878	2071881
1	Inner Mast	1573599	1573602	1573604	1573606	1573609

H4.5FTS5, H4.5FT6, H5.0FT, H5.5FT

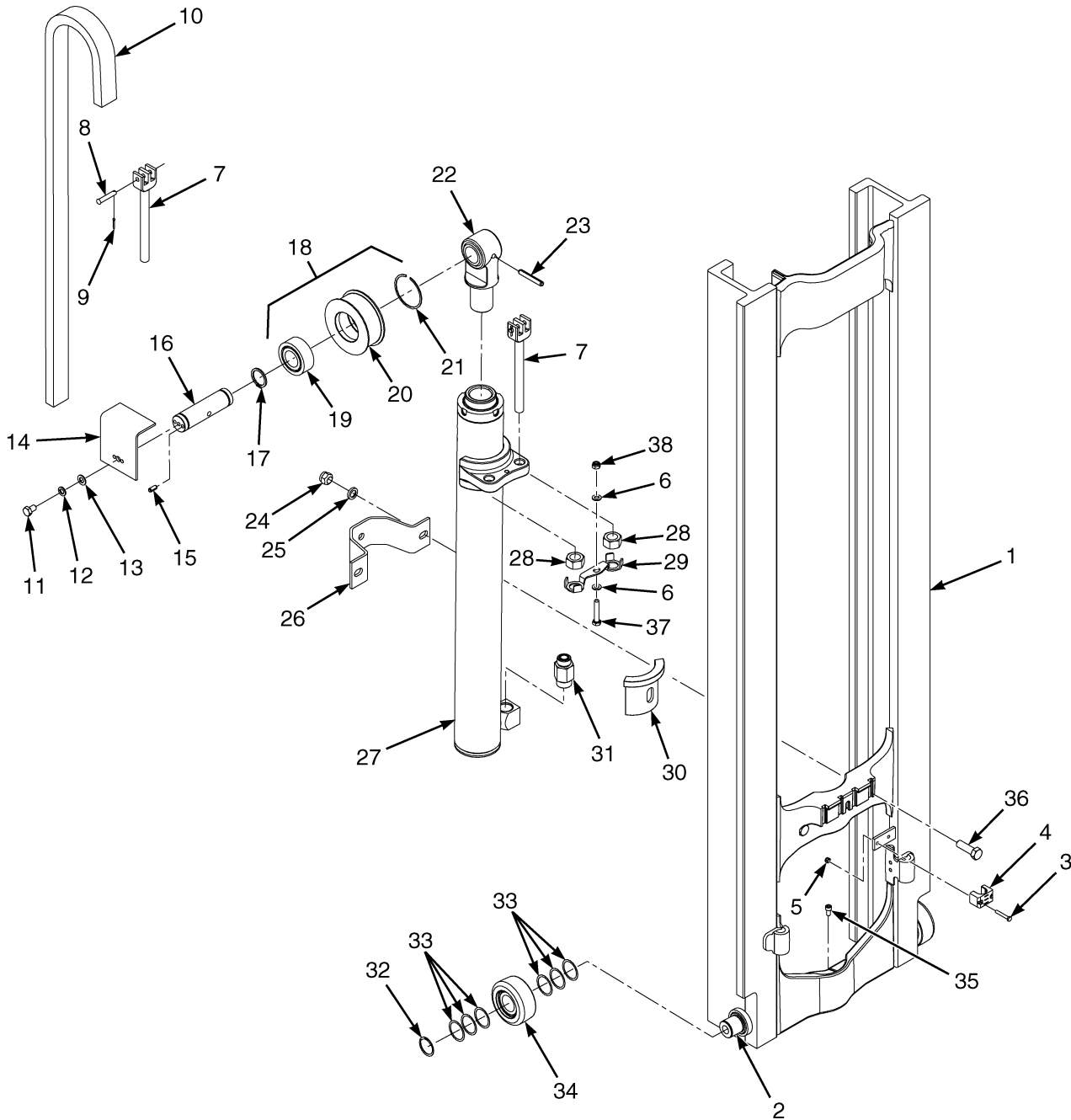
ITEM	DESCRIPTION 1 2 3 4	LIFT HEIGHT TO BOTTOM OF FORKS		
		4087 mm (160.9 in.)	4940 mm (194.5 in.)	5240 mm (206.3 in.)
		Mast Group Number	B752 4087	B752 4940
	Mast Assy	2071898	2071903	2071905
1	Inner Mast	1573599	1573604	1573606

ITEM	PART NO.	DESCRIPTION	QTY
	a	Mast Assy	1
1	a	Inner Mast	1
2	1500744	Stubshaft	2
3	1511882	Load Roller ("A") (103.68/103.42)	2
3	1511883	Load Roller ("B") (104.44/104.18)	2
3	1511884	Load Roller ("C") (105.20/104.94)	2
4	126765	Shim	AR
5	1465072	Snap Ring	2
6	1387285	Chain Anchor (H4.0FTS, H4.0FT6)	2
6	1387286	Chain Anchor (H4.5FTS5, H4.5FT6, H5.0FT, H5.5FT)	2
7	327591	Pin (H4.0FTS, H4.0FT6)	2
7	339932	Pin (H4.5FTS5, H4.5FT6, H5.0FT, H5.5FT)	2
8	15222	Cotter Pin	2
9	1581896	Nut	4
10	15224	Cotter Pin	2

FOOTNOTES:

a Refer to Table

INNER MAST AND FREE-LIFT (FIGURE 13-4) THREE STAGE FULL FREE-LIFT



BP290128

**INNER MAST AND FREE-LIFT
THREE STAGE FULL FREE-LIFT**

H4.0FTS, H4.0FT6

ITEM	DESCRIPTION 1 2 3 4	LIFT HEIGHT TO BOTTOM OF FORKS				
		4365 mm (171.9 in.)	4900 mm (192.9 in.)	5200 mm (204.7 in.)	5500 mm (216.5 in.)	5950 mm (234.3 in.)
		Mast Group Number B751 4365	B751 4900	B751 5200	B751 5500	B751 5950
	Mast Assy	2071871	2071874	2071876	2071878	2071881
1	Inner Mast	1573599	1573602	1573604	1573606	1573609
10	Chain	337189	337190	339897	348827	339933

H4.5FTS5, H4.5FT6, H5.0FT, H5.5FT

ITEM	DESCRIPTION 1 2 3 4	LIFT HEIGHT TO BOTTOM OF FORKS		
		4087 mm (160.9 in.)	4940 mm (194.5 in.)	5240 mm (206.3 in.)
		Mast Group Number B752 4087	B752 4940	B752 5240
	Mast Assy	2071898	2071903	2071905
1	Inner Mast	1573599	1573604	1573606
10	Chain	386885	337189	320396

KEY:

A: H4.0FT5, H4.0FT6

B: H4.5FTS5, H4.5FT6, H5.0FT, H5.5FT

ITEM	PART NO.	DESCRIPTION	QTY	
			A	B
	a	Mast Assy	1	1
1	a	Inner Mast	1	1
2	1500744	Stubshaft	2	2
3	1581578	Capscrew	2	2
4	1387479	Hose Clamp	1	1
5	1581565	Nut	2	2
6	1581556	Washer	4	4
7	1331991	Chain Anchor	2	4
8	339932	Pin	2	2
9	15222	Cotter Pin	2	2
10	a	Chain	2	2
11	1581589	Capscrew	2	2
12	1581564	Lockwasher	2	2
13	1581559	Washer	2	2
14	1387519	Guard (w/ Header Hose)	1	1
14	1387519	Guard (w/o Header Hose)	2	2
15	302472	Roll Pin	4	4
16	1387281	Pin	1	1
17	304527	Snap Ring	2	2
18	1387743	Chain Sheave Assembly (Assembly)	2	2

INNER MAST AND FREE-LIFT THREE STAGE FULL FREE-LIFT

KEY:

A: H4.0FT5, H4.0FT6

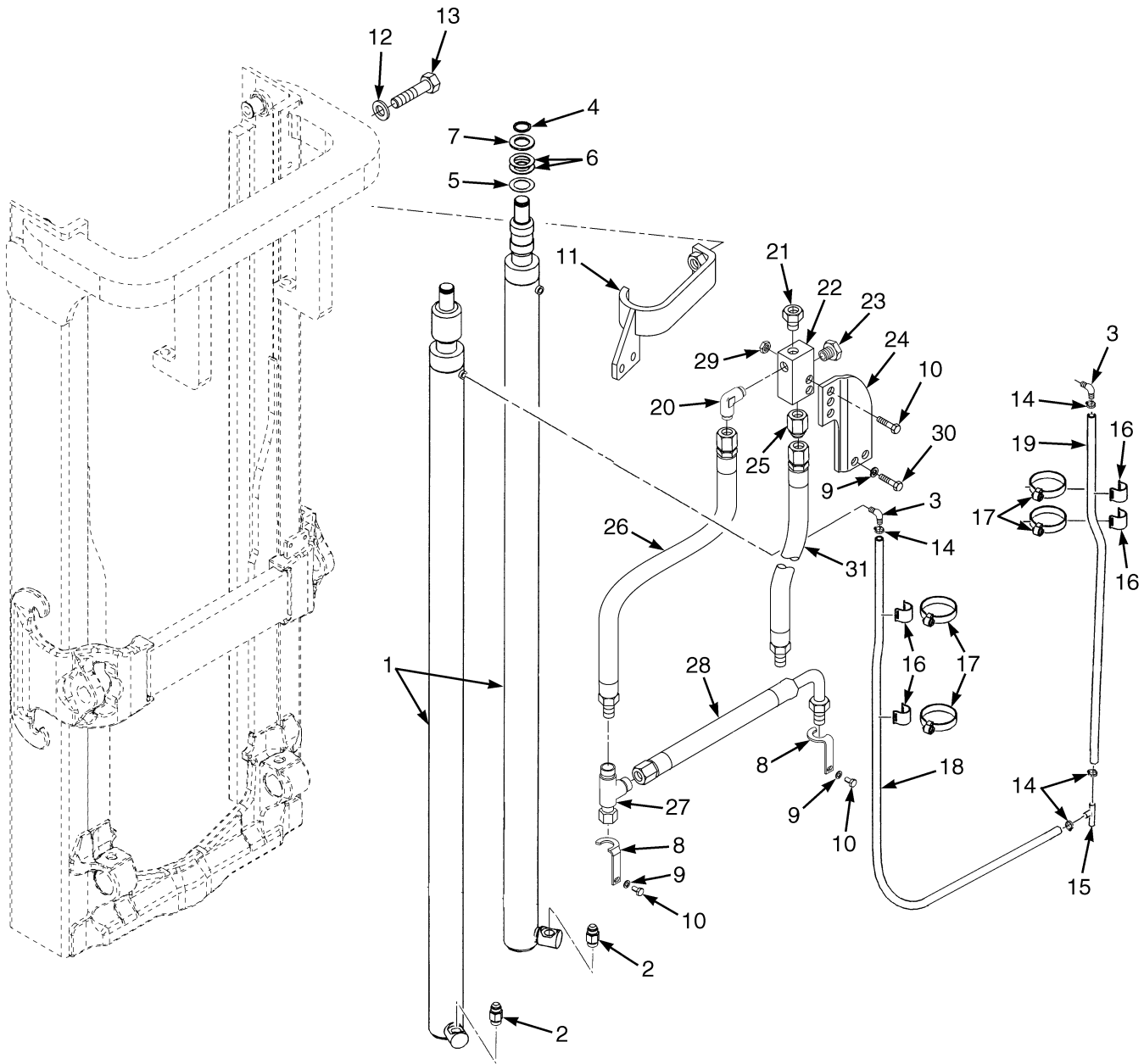
B: H4.5FTS5, H4.5FT6, H5.0FT, H5.5FT

ITEM	PART NO.	DESCRIPTION	QTY	
			A	B
19	126764	Double Row Bearing	1	1
20	1387740	Chain Sheave	1	1
21	41531	Snap Ring	1	1
22	1389825	Crosshead	1	1
23	302493	Roll Pin	1	1
24	161003	Nut	2	2
25	297649	Ring	2	2
26	1694479 4057049	Clamp (One Piece Formed Bracket)	1	..
26	1694480 4057050	Clamp (One Piece Formed Bracket)	1
27	Free Lift Cylinder (☞ Figure 13-7).....	1	1
28	1581896	Nut	2	2
29	4038861	Bracket (Retainer Nut)	2	2
30	1611061	Collar	1	..
31	1550195	Hyd Velocity Fuse (Free-Lift Cylinder)	1	..
31	1550196	Hyd Velocity Fuse (Free-Lift Cylinder)	1
31	16487	O-Ring	1	1
31	280154	O-Ring	1	1
32	1465072	Snap Ring	2	2
33	126765	Shim	12	12
34	1511883	Load Roller ("B") (104.44/104.18)	2	2
34	1511882	Load Roller ("A") (103.68/103.42) (Alternate)	2	2
34	1511884	Load Roller ("C") (105.20/104.94) (Alternate)	2	2
35	296009	Capscrew	1	1
36	188479	Capscrew	2	2
36	221631	Capscrew (Optional)	2	2
37	1581836	Capscrew	1	1
38	1581739	Nut	1	1

FOOTNOTES:

a Refer to Table

MAIN LIFT (FIGURE 13-5) THREE STAGE FULL FREE-LIFT



BP170259

**MAIN LIFT
THREE STAGE FULL FREE-LIFT**

H4.0FTS, H4.0FT6

ITEM	DESCRIPTION 1 2 3 4	LIFT HEIGHT TO BOTTOM OF FORKS				
		4365 mm (171.9 in.)	4900 mm (192.9 in.)	5200 mm (204.7 in.)	5500 mm (216.5 in.)	5950 mm (234.3 in.)
		Mast Group Number B751 4365	B751 4900	B751 5200	B751 5500	B751 5950
18	Hose Assy	1399096	1399104	1399108	1399112	1399120
19	Hose Assy	1399077	1399084	1399088	1399092	1399100

H4.5FTS5, H4.5FT6, H5.0FT, H5.5FT

ITEM	DESCRIPTION 1 2 3 4	LIFT HEIGHT TO BOTTOM OF FORKS		
		4087 mm (160.9 in.)	4940 mm (194.5 in.)	5240 mm (206.3 in.)
		Mast Group Number B752 4087	B752 4940	B752 5240
18	Hose Assy	1399094	1399106	1399110
19	Hose Assy	1399076	1399086	1399090

ITEM	PART NO.	DESCRIPTION	QTY
1	Main Cylinder (☞Figure 13-6).....	2
2	a 1550157	Hyd Velocity Fuse (Main Cylinder)	2
2	b 1550158	Hyd Velocity Fuse (Lift Cylinder) (Main Cylinder)	2
3	110178	Fitting	2
3	16483	O-Ring	1
4	304523	Snap Ring	2
5	1325120	Shim	AR
6	142247	Shim	AR
7	332061	Washer	2
8	1634463	Bracket (LH)	1
8	1634462	Bracket (RH)	1
9	1581558	Washer	4
10	1581586	Capscrew	2
11	4111502	Bracket (Cylinder Restraint) (RH)	1
11	1474496	Bracket (RH)	1
11	4111503	Bracket (Cylinder Restraint) (LH)	1
11	1474497	Bracket (LH)	1
11	4058158	Rubber Pad	2
12	1581558	Washer	4
13	1581588	Capscrew	4
14	379405	Clamp	4
14	1452463	Hose Clamp (Optional)	1
15	2046871	Fitting	1
16	1465585	Hose Clamp	4
17	1360529	Clamp	4
18	c	Hose Assy	1
19	c	Hose Assy	1

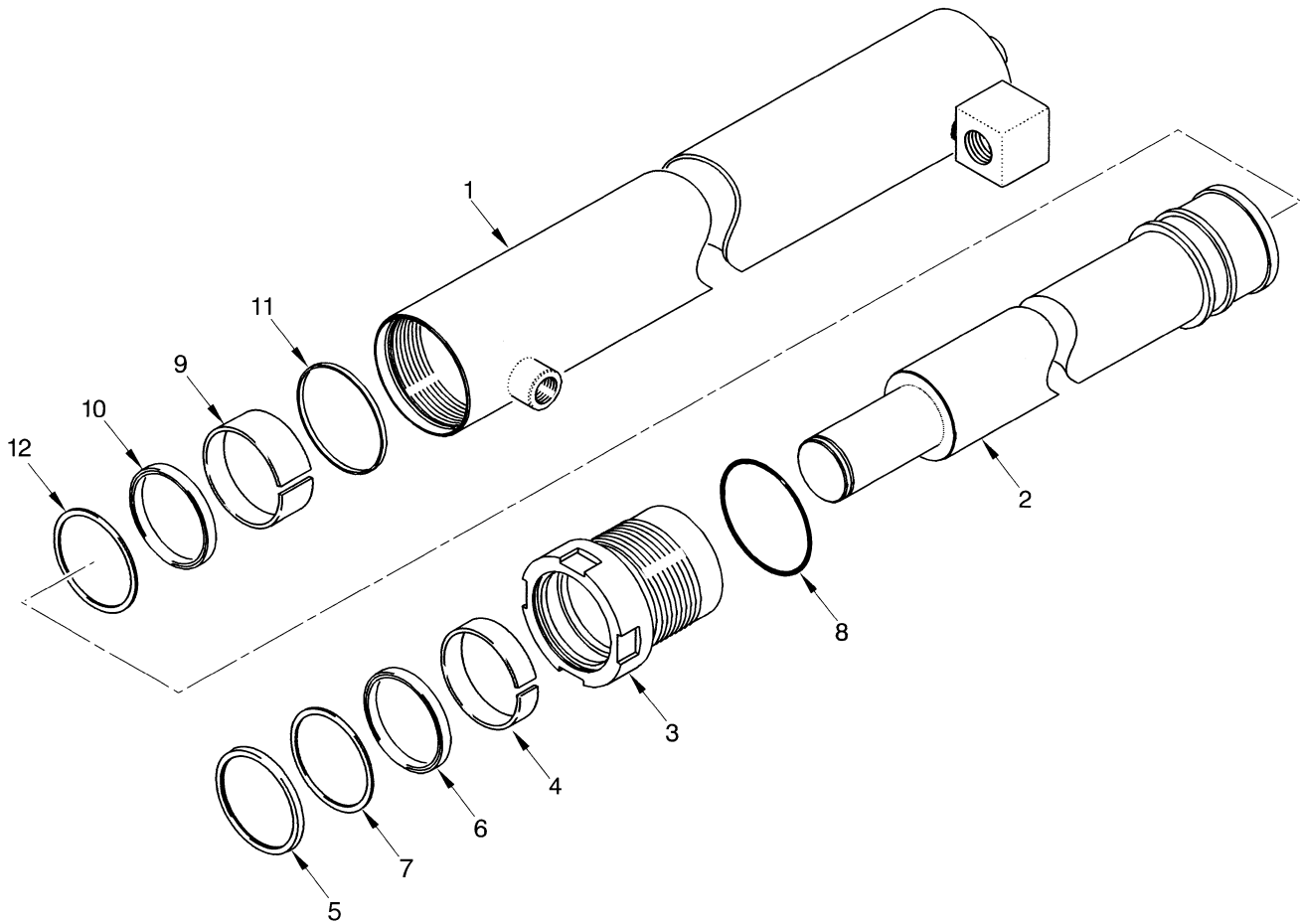
MAIN LIFT THREE STAGE FULL FREE-LIFT

ITEM	PART NO.	DESCRIPTION	QTY
20	1487068	Fitting	1
20	16484	O-Ring	1
20	252729	O-Ring	1
21	1473888	Fitting	1
21	280154	O-Ring	1
21	1450764		
	16486	O-Ring	1
22	1388019	Housing (Lowering Control)	1
23	14595	Plug Assembly	1
23	16484	O-Ring	1
24	1474387	Bracket	1
25	1550197	Lowering Control Valve (H4.0FT5, H4.0FT6)	1
25	1550198	Lowering Control Valve (H4.5FT5, H4.5FT6, H5.0FT, H5.5FT)	1
25	16982	O-Ring	1
25	280154	O-Ring	1
26	4627873	Hose Assy	1
27	1487096	Fitting	1
28	4604938	Hose Assy	1
29	1581566	Nut	2
30	1581585	Capscrew	2
31	2076763	Hose Assy (Hoist)	1

FOOTNOTES:

- a** H4.0FT5, H4.0FT6
- b** H4.5FT5, H4.5FT6, H5.0FT, H5.5FT
- c** Refer to Table

MAIN LIFT CYLINDER (FIGURE 13-6) THREE STAGE FULL FREE LIFT



BP170222

**MAIN LIFT CYLINDER
THREE STAGE FULL FREE LIFT****H4.0FTS, H4.0FT6**

ITEM	DESCRIPTION 1 2 3 4	LIFT HEIGHT TO BOTTOM OF FORKS				
		4365 mm (171.9 in.)	4900 mm (192.9 in.)	5200 mm (204.7 in.)	5500 mm (216.5 in.)	5950 mm (234.3 in.)
		Mast Group Number	B751 4365	B751 4900	B751 5200	B751 5500
	Cylinder Group Number	8509701	8509704	8509706	8509708	8509711
	Cylinder Assy	2073852	2073857	2073856	2073859	2073874
1	Tube Wldmt- Cylinder	2073888	2073891	2073893	2073895	2073898
2	Cylinder Rod	2037856	2037858	2037859	2037860	2037861
13	Spacer	----	351673	351673	351673	381113

H4.5FTS5, H4.5FT6, H5.0FT, H5.5FT

ITEM	DESCRIPTION 1 2 3 4	LIFT HEIGHT TO BOTTOM OF FORKS		
		4087 mm (160.9 in.)	4940 mm (194.5 in.)	5240 mm (206.3 in.)
		Mast Group Number	B752 4087	B752 4940
	Cylinder Group Number	8509801	8509806	8509808
	Cylinder Assy	2073912	2073917	2073919
1	Tube Wldmt- Cylinder	2073932	2073937	2073939
2	Cylinder Rod	2037841	2037845	2037846
13	Spacer	----	2078399	2078399

KEY:**A: H4.0FTS, H4.0FT6****B: H4.5FTS5, H4.5FT6, H5.0FT, H5.5FT**

ITEM	PART NO.	DESCRIPTION	QTY	
			A	B
	b	Cylinder Assy	2	2
1	b	Tube Wldmt-Cylinder	1	1
2	b	Cylinder Rod	1	1
3	2033243	Gland	1	..
3	2033299	Gland	1
4	215425	Wear Ring	1	..
4	215301	Wear Ring	1
5	1383066	Rod Wiper	1	..
5	1383068	Rod Wiper	1
6	270077	Rod Seal	1	..
6	201829	Rod Seal	1

MAIN LIFT CYLINDER THREE STAGE FULL FREE LIFT

KEY:

A: H4.0FTS, H4.0FT6

B: H4.5FTS5, H4.5FT6, H5.0FT, H5.5FT

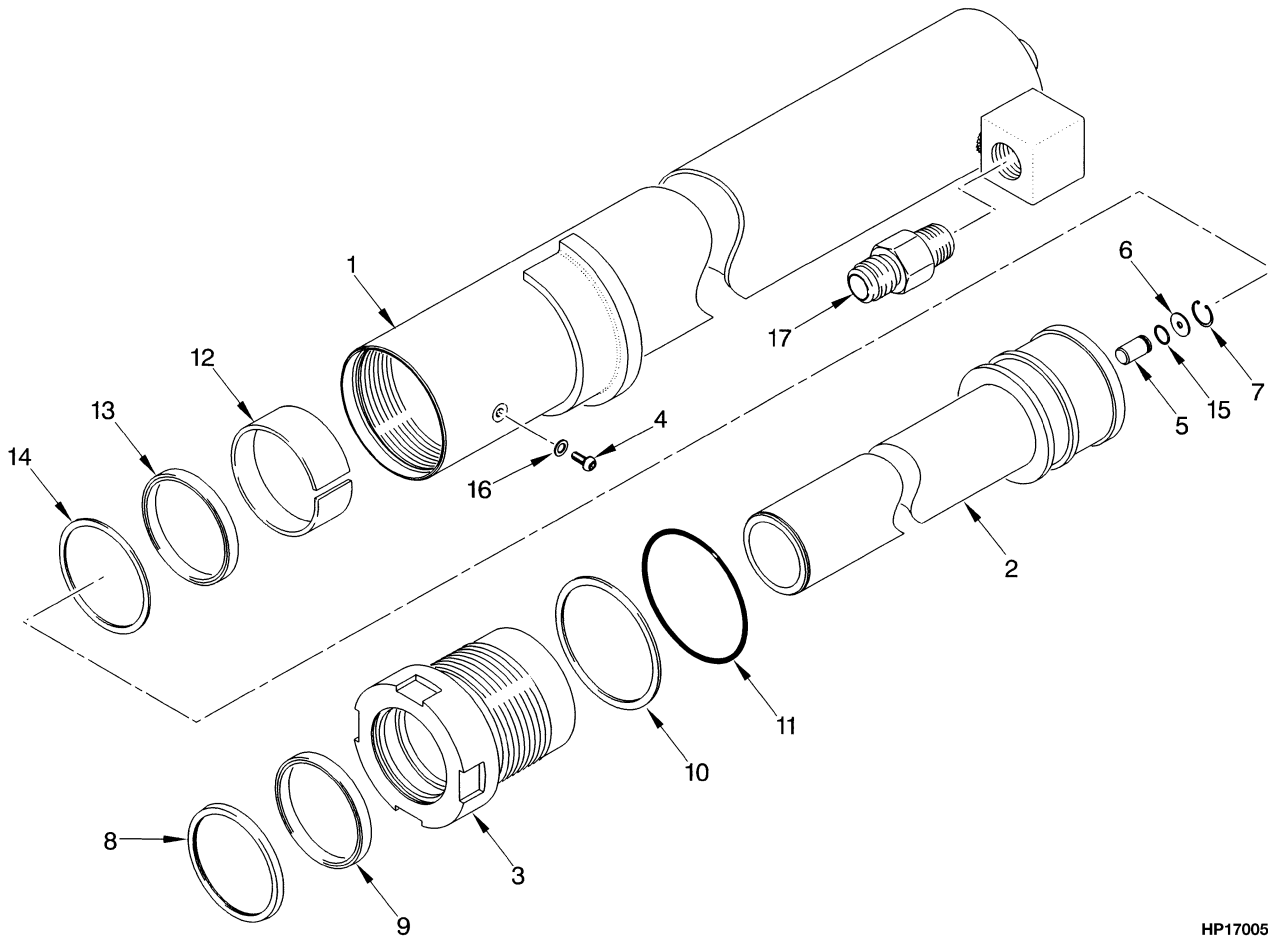
ITEM	PART NO.	DESCRIPTION	QTY	
			A	B
7	638249	Back-Up Ring	2	..
7	638250	Back-Up Ring	1
8	57664	O-Ring	1	..
8	15879	O-Ring	1
9	297532	Wear Ring	1	..
9	351531	Wear Ring	1
10	1381061	Rod Seal	1	..
10	1381062	Rod Seal	1
11	1379063	Piston Ring	1	..
11	2036479	Piston Ring	1
12	351532	Back-Up Ring	1
13	b	Spacer	1	1
	a 1378722	Sleeve (Included with Kit 2036277)	1	..
	a 4602849	Sleeve (Included with Kit 2036278)	1
	2036277	Kit-Seal	1	..
	2036278	Kit-Seal	1

FOOTNOTES:

a Not Illustrated

b Refer to Table

FREE-LIFT CYLINDER (FIGURE 13-7) THREE STAGE FULL FREE-LIFT



HP170059

**FREE-LIFT CYLINDER
THREE STAGE FULL FREE-LIFT**

H4.0FTS, H4.0FT6

ITEM	DESCRIPTION 1 2 3 4	LIFT HEIGHT TO BOTTOM OF FORKS				
		4365 mm (171.9 in.)	4900 mm (192.9 in.)	5200 mm (204.7 in.)	5500 mm (216.5 in.)	5950 mm (234.3 in.)
		Mast Group Number	B751 4365	B751 4900	B751 5200	B751 5500
	Cylinder Group Number	8544051	8544055	8544057	8544059	8544063
	Cylinder Assy	2104542	2104546	2104548	2104550	2104554
1	Tube Wldmt- Cylinder	2073257	2073261	2073263	2073265	2073269
2	Cylinder Rod	2037833	2037836	2037837	2037838	2037840

H4.5FTS5, H4.5FT6, H5.0FT, H5.5FT

ITEM	DESCRIPTION 1 2 3 4	LIFT HEIGHT TO BOTTOM OF FORKS		
		4087 mm (160.9 in.)	4940 mm (194.5 in.)	5240 mm (206.3 in.)
		Mast Group Number	B752 4087	B752 4940
	Cylinder Group Number	8518451	8518457	8518459
	Cylinder Assy	2104508	2104514	2104516
1	Tube Wldmt- Cylinder	2073626	2073634	2073636
2	Cylinder Rod	2062074	2062079	2062081

KEY:

A: H4.0FT5, H4.0FT6

B: H4.5FTS5, H4.5FT6-H5.0-5.5FT

ITEM	PART NO.	DESCRIPTION	QTY	
			A	B
	a	Cylinder Assy	1	1
1	a	Tube Wldmt-Cylinder	1	1
2	a	Cylinder Rod	1	1
3	2036282	Gland	1	..
3	1541640	Gland	1
4	1361302	Screw	1	1
5	297538	Check Valve	1	1
6	297531	Washer	1	1
7	187388	Snap Ring	1	1
8	1383070	Rod Wiper	1	1
9	637161	Rod Seal	1	1
10	164632	Back-Up Ring	1	..
10	615145	Back-Up Ring	1

FREE-LIFT CYLINDER THREE STAGE FULL FREE-LIFT

KEY:

A: H4.0FT5, H4.0FT6

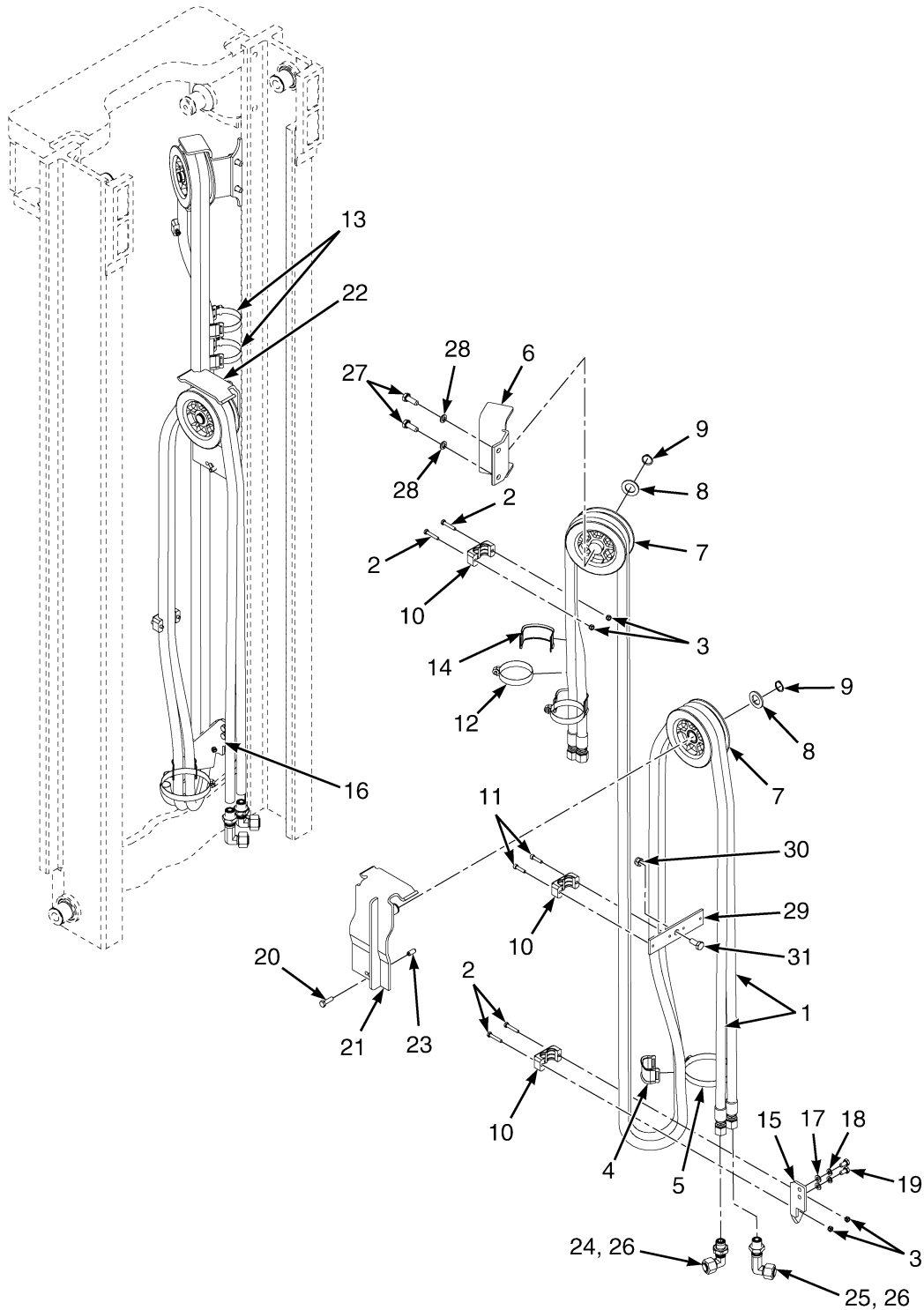
B: H4.5FTS5, H4.5FT6-H5.0-5.5FT

ITEM	PART NO.	DESCRIPTION	QTY	
			A	B
11	15885	O-Ring	1
11	46629	O-Ring	1	..
12	636950	Wear Ring	1	..
12	1380982	Wear Ring	1
13	637162	Rod Seal	1	..
13	364059	Rod Seal	1
14	638293	Back-Up Ring	1	..
14	1381074	Back-Up Ring	1
15	190580	O-Ring	1
15	39348	O-Ring	1	..
16	190887	Sealing Ring	1	1
17	1550195	Hyd Velocity Fuse (Free-Lift Cylinder)	1	..
17	1550196	Hyd Velocity Fuse (Free-Lift Cylinder)	1
17	16487	O-Ring	1	1
17	280154	O-Ring	1	1
	2036279	Kit-Seal	1	..
	2065889	Kit-Seal	1

FOOTNOTES:

a Refer to Table

HEADER HOSE (FIGURE 13-8) THREE STAGE FULL FREE LIFT



BP290110

**HEADER HOSE
THREE STAGE FULL FREE LIFT
H4.0FTS, H4.0FT6**

ITEM	DESCRIPTION 1 2 3 4	LIFT HEIGHT TO BOTTOM OF FORKS				
		4365 mm (171.9 in.)	4665 mm (183.7 in.)	4900 mm (192.9 in.)	5200 mm (204.7 in.)	5500 mm (216.5 in.)
		Mast Group Number	B751 4365	B751 4665	B751 4900	B751 5200
	Mast Assy	2071871	2071873	2071874	2071876	2071878
1	Hose Assy	2083432	2083434	2083435	2083437	2083439

H4.5FTS5, H4.5FT6, H5.0FT, H5.5FT

ITEM	DESCRIPTION 1 2 3 4	LIFT HEIGHT TO BOTTOM OF FORKS				
		4087 mm (160.9 in.)	4387 mm (172.7 in.)	4640 mm (182.7 in.)	4940 mm (194.5 in.)	5240 mm (206.3 in.)
		Mast Group Number	B752 4087	B752 4387	B752 4640	B752 4940
	Mast Assy	2071898	2071900	2071901	2071903	2071905
1	Hose Assy	2083459	2083461	2083462	2083464	2083466

KEY:

A: Three Function

B: Four Function

ITEM	PART NO.	DESCRIPTION	QTY	
			A	B
	b	Mast Assy	1	1
1	b	Hose Assy	2	4
2	1581577	Capscrew	4	8
3	1581565	Nut	4	8
4	1502809	Hose Clamp	1	2
5	1399243	Clamp	1	2
6	1387523	Bracket Wldmt	1	2
7	1495279	Hose Sheave	2	4
8	1581560	Washer	2	4
9	58902	Snap Ring	2	4
10	2035791	Hose Clamp	3	6
11	1581741	Capscrew	2	4
12	1569979	Clamp	2	2
13	1617658	Clamp	2
14	1465489	Hose Clamp	2	4
15	1387327	Bracket (RH)	1	1
16	1389854	Bracket (LH)	2
17	1581556	Washer	2	4
18	1581562	Lockwasher	2	4
19	1581579	Capscrew	2	4
20	1581590	Capscrew	1	2
21	1541242	Bracket Wldmt (RH)	1	1
22	1541243	Bracket Wldmt (LH)	1

HEADER HOSE THREE STAGE FULL FREE LIFT

KEY:

A: Three Function

B: Four Function

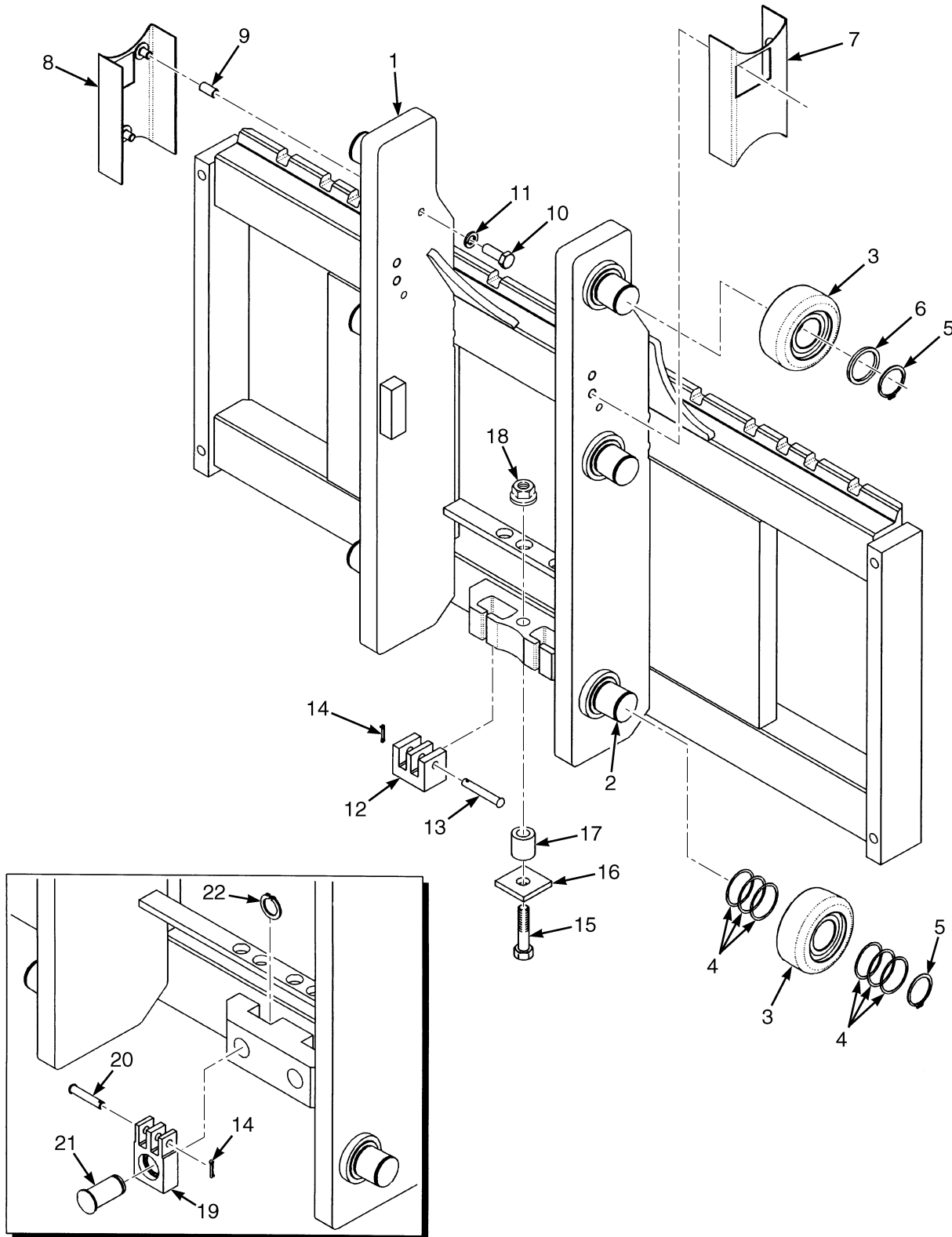
ITEM	PART NO.	DESCRIPTION	QTY	
			A	B
23	302472	Roll Pin	1	2
24	1528580	Fitting	1	2
24	265731	O-Ring	2	2
24	816593	Locknut	1	1
25	1550425	Fitting	1	2
25	265731	O-Ring	2	2
25	816593	Locknut	1	1
26	1529016	Fitting (Cap)	2	4
27	1581587	Capscrew	2	4
28	1581563	Lockwasher	2	4
29	1389828	Bracket	1	1
30	1581567	Nut	1	1
31	1581586	Capscrew	1	1
	a 1566565	Cap	1	2

FOOTNOTES:

a Not Illustrated

b Refer to Table

STANDARD CARRIAGE (FIGURE 13-9) THREE STAGE FULL FREE LIFT

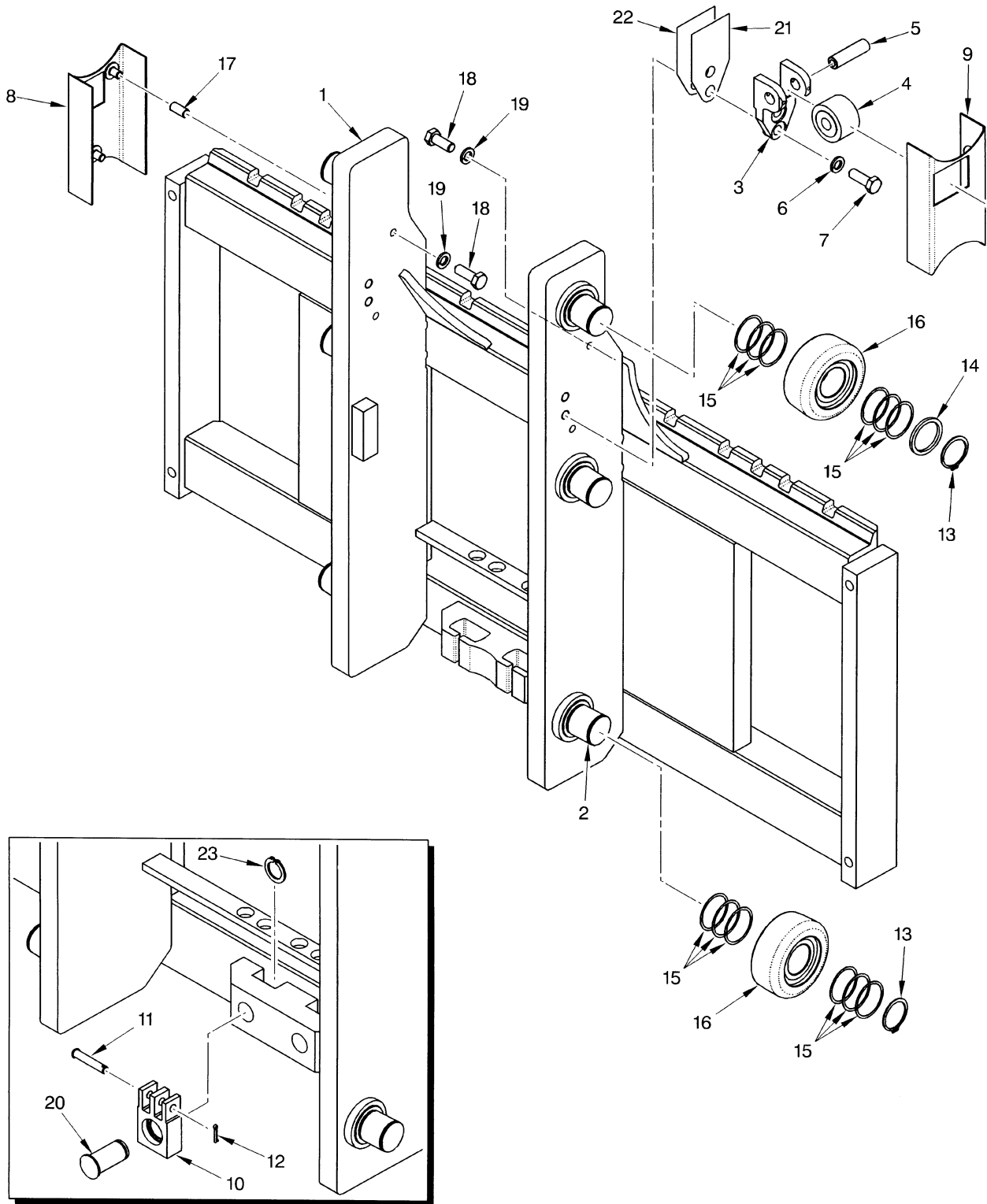


BP290114

**STANDARD CARRIAGE
THREE STAGE FULL FREE LIFT****KEY:****A: H4.0FTS, H4.0FT6****B: H4.5FTS5, H4.5FT6, H5.0FT, H5.5FT**

ITEM	PART NO.	DESCRIPTION	QTY	
			A	B
	2109388	Carriage (1219 mm)	1	..
	2109423	Carriage (1524 mm)	1	..
	2035795			
	4622826	Carriage (1219 mm)	1
	2035797			
	4622828	Carriage (1524 mm)	1
1	1700060	Carriage Wldmt (1219 mm)	1	..
1	1700217	Carriage Wldmt (1524 mm)	1	..
1	1387496			
	4058047	Carriage Wldmt (1219 mm)	1
1	1387498			
	4058049	Carriage Wldmt (1524 mm)	1
2	1500744	Stubshaft	6	6
3	1511883	Load Roller ("B") (104.44/104.18)	6	6
3	1511882	Load Roller ("A") (103.68/103.42) (Alternate)	6	6
3	1511884	Load Roller ("C") (105.20/104.94) (Alternate)	6	6
4	126765	Shim	24	24
5	1465072	Snap Ring	6	6
6	1399224	Spacer	2	2
7	319322	Bracket Wldmt (Guard RH)	1	1
8	319323	Bracket Wldmt (Guard LH)	1	1
9	317292	Spacer	4	4
10	18518	Capscrew	4	4
11	15155	Lockwasher	4	4
12	1387548	Chain Anchor	2	..
13	1387549	Pin	2	..
14	15222	Cotter Pin	2	2
15	18520	Capscrew	1	..
16	1400126	Plate	1	..
17	1400125	Spacer	1	..
18	191941	Nut	1	..
19	1480392	Chain Anchor	2
20	339932	Pin	2
21	320327	Pin	2
22	131358	Snap Ring	2

ATTACHMENT CARRIAGE (FIGURE 13-10) THREE STAGE FULL FREE-LIFT — H4.5FT

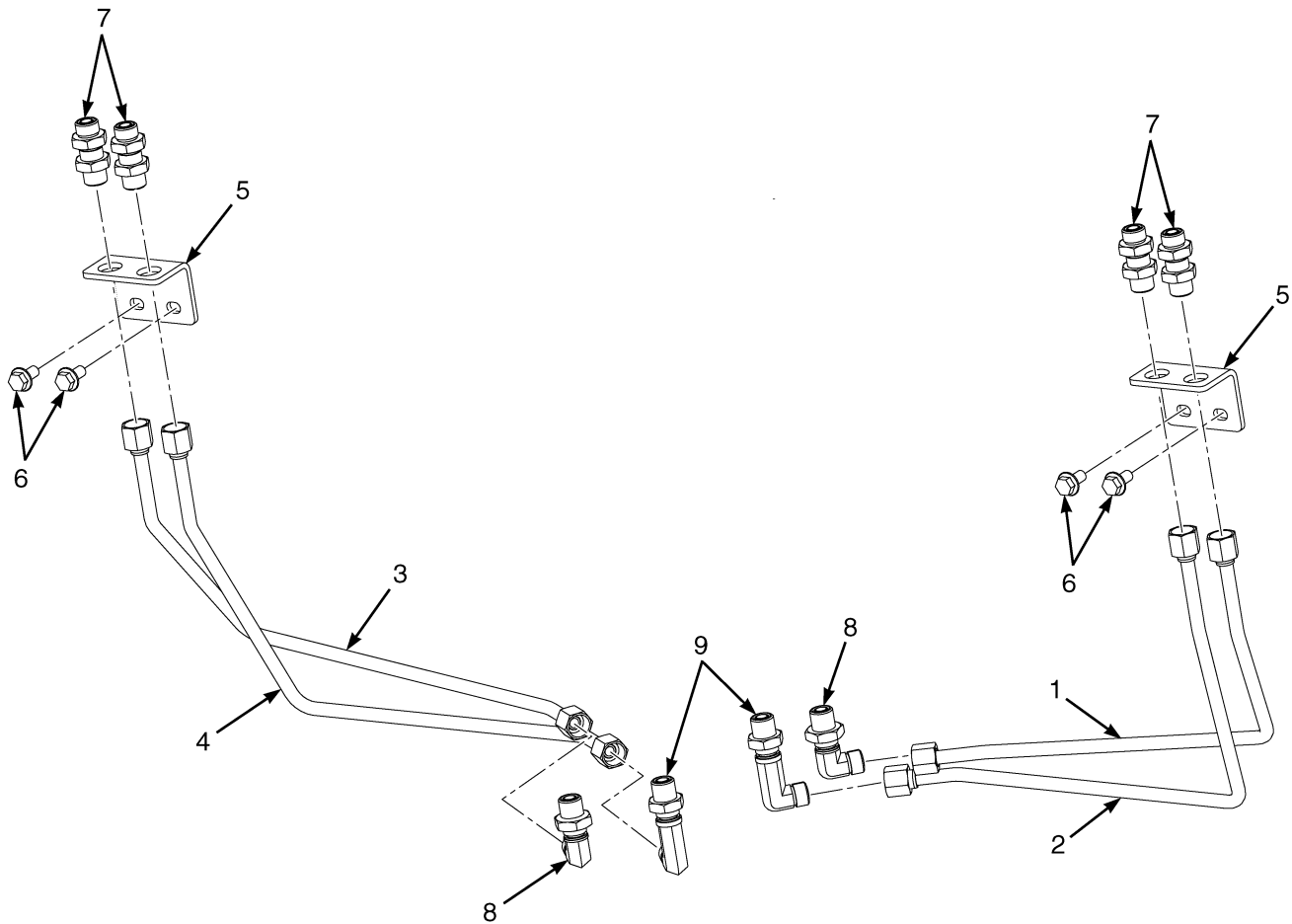


BP000731

**ATTACHMENT CARRIAGE
THREE STAGE FULL FREE-LIFT – H4.5FT**

ITEM	PART NO.	DESCRIPTION	QTY
	2037707		
1	4622829	Carriage (1372 mm)	1
	1465228		
2	4058051	Carriage Wldmt (1354 mm)	1
3	1500744	Stubshaft	6
3	1465177	Bracket	2
4	1387993		
5	1670064	Thrust Bearing (Side Thrust Roller)	2
5	1670065	Pin	2
6	292683	Lockwasher	4
7	292528	Capscrew	4
8	319323	Bracket Wldmt (Guard LH)	1
9	319322	Bracket Wldmt (Guard RH)	1
10	1480392	Chain Anchor	2
11	339932	Pin (Anchor)	2
12	15222	Cotter Pin	2
13	1465072	Snap Ring	6
14	1399224	Spacer	2
15	126765	Shim	24
16	1511883	Load Roller ("B") (104.44/104.18)	6
17	317292	Spacer	4
18	18518	Capscrew	4
19	15155	Lockwasher	4
20	320327	Pin	2
21	192425	Shim (1.575 mm)	6
22	192424	Shim (0.762 mm)	8
23	131358	Snap Ring	2

HEADER HOSE AUXILIARY TUBE EXTENSIONS WITHOUT QUICK DISCONNECTS (FIGURE 13-11) THREE STAGE FULL FREE LIFT — STANDARD CARRIAGE



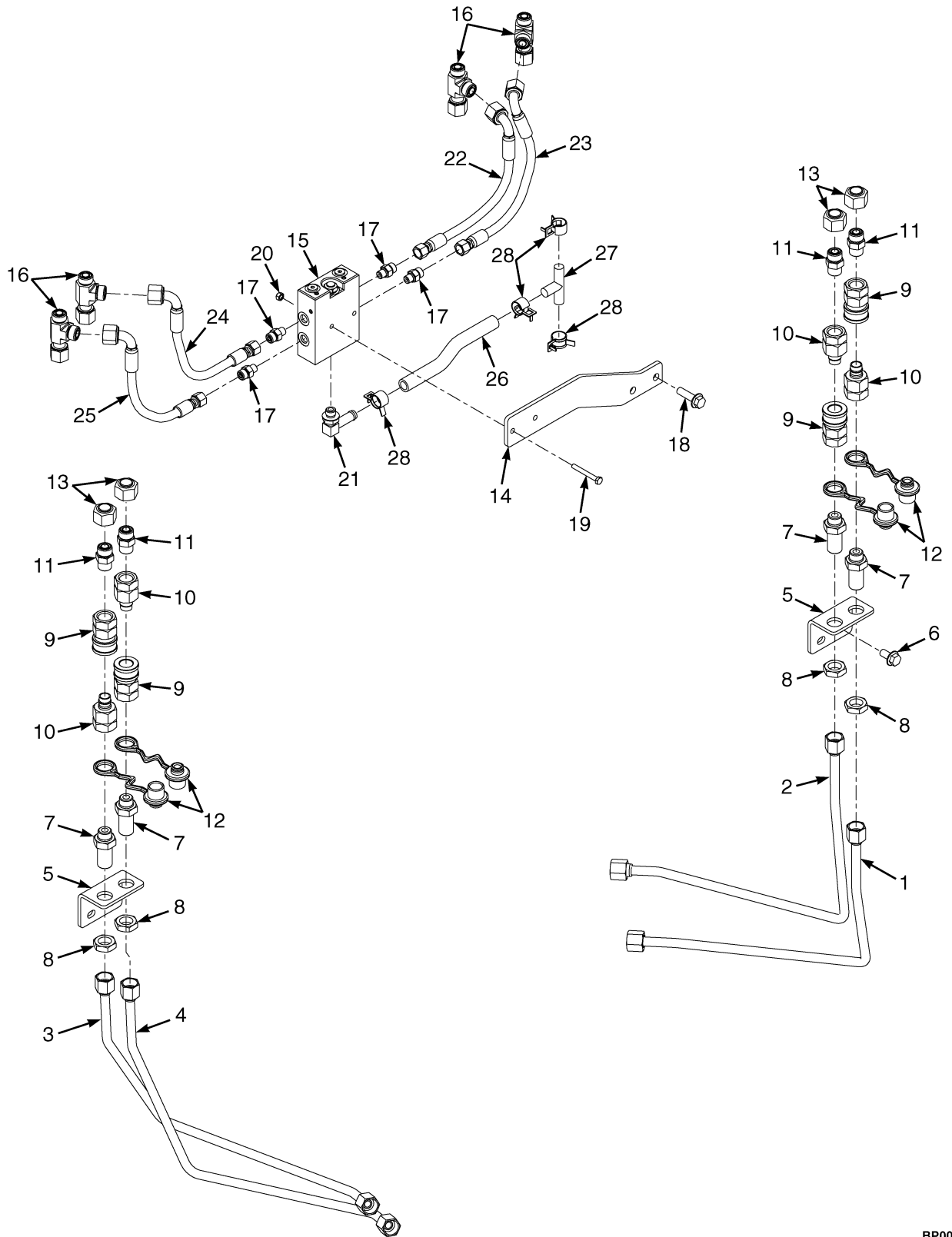
BP290119

**HEADER HOSE AUXILIARY TUBE EXTENSIONS WITHOUT QUICK DISCONNECTS
THREE STAGE FULL FREE LIFT – STANDARD CARRIAGE**

KEY:**A:** H4.0FTS, H4.0FT6 — Three Function**B:** H4.0FTS, H4.0FT6 — Four Function**C:** H4.5FTS5, H4.5FT6, H5.0FT, H5.5FT — Three Function**D:** H4.5FTS5, H4.5FT6, H5.0FT, H5.5FT — Four Function

ITEM	PART NO.	DESCRIPTION	QTY			
			A	B	C	D
1	2093669	Tube Assy	1	1
1	2093657	Tube Assy	1	1
2	2093670	Tube Assy	1	1
2	2093658	Tube Assy	1	1
3	2093671	Tube Assy	1
3	2093659	Tube Assy	1
4	2093672	Tube Assy	1
4	2093660	Tube Assy	1
5	1692933	Bracket (RH and LH Bolt On)	1	2	1	2
6	1527883	Capscrew	2	4	2	4
7	816591	Fitting	2	4	2	4
8	1528580	Fitting	1	2	1	2
9	1550425	Fitting	1	2	1	2

**HEADER HOSE AUXILIARY TUBE EXTENSIONS WITH QUICK DISCONNECTS
(FIGURE 13-12)
THREE STAGE FULL FREE-LIFT — STANDARD CARRIAGE**



BP000702

HEADER HOSE AUXILIARY TUBE EXTENSIONS WITH QUICK DISCONNECTS THREE STAGE FULL FREE-LIFT – STANDARD CARRIAGE

KEY:

A: H4.0FTS, H4.0FT6 — Three Function

B: H4.0FTS, H4.0FT6 — Four Function

C: H4.5FTS5, H4.5FT6, H5.0FT, H5.5FT — Three Function

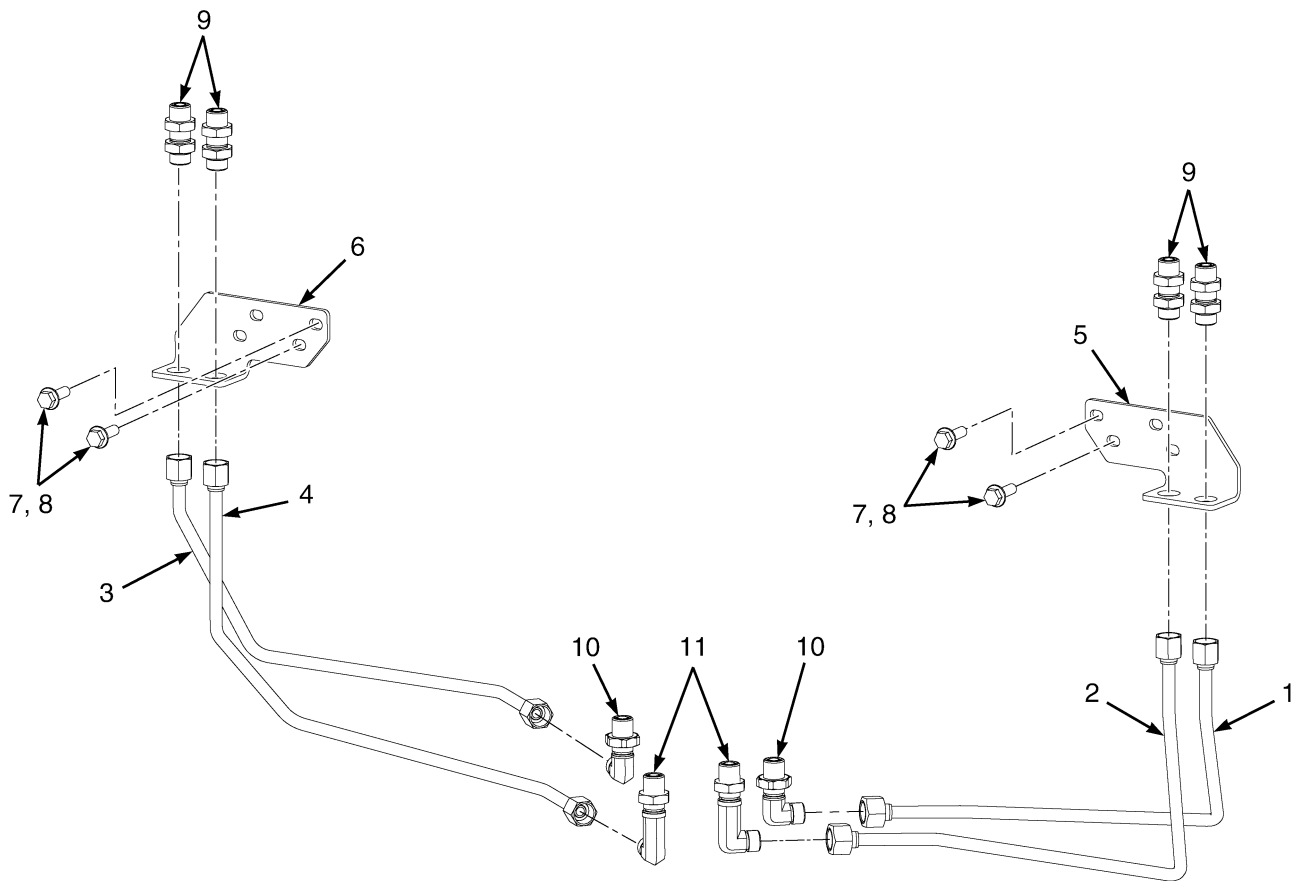
D: H4.5FTS5, H4.5FT6, H5.0FT, H5.5FT — Four Function

ITEM	PART NO.	DESCRIPTION	QTY			
			A	B	C	D
1	2093669	Tube Assy	1	1
1	2093657	Tube Assy	1	1
2	2093670	Tube Assy	1	1
2	2093658	Tube Assy	1	1
3	2093671	Tube Assy	1
3	2093659	Tube Assy	1
4	2093672	Tube Assy	1
4	2093660	Tube Assy	1
5	1692933	Bracket (RH and LH Bolt On)	1	2	1	2
6	1527883	Capscrew	2	4	2	4
7	1708365	Bulkhead	2	4	2	4
8	816593	Locknut	2	4	2	4
9	1377953	Quick Disconnect Fitting	2	4	2	4
10	1377954	Fitting	2	4	2	4
11	1473887	Fitting	2	4	2	4
11	265731	O-Ring	1	1	1	1
11	16484	O-Ring	1	1	1	1
12	1708368	Dust Cover	2	4	2	4
13	1529016	Fitting	2	4	2	4
14	a 1708373	Bracket	1	1	1	1
15	ab 2111754	Valve	1	..	1	..
15	a 2111755	Valve	1	..	1
15	a 4010971	Check Valve	2	4	2	4
15	a 4010972	Valve	1	1	1	1
16	a 1487095	Fitting	2	4	2	4
16	a 265731	O-Ring	2	2	2	2
17	a 1486737	Fitting	2	4	2	4
17	a 1527813	O-Ring	1	1	1	1
17	a 16481	O-Ring	1	1	1	1
18	a 1527885	Capscrew	2	2	2	2
19	a 292505	Capscrew	2	2	2	2
20	a 302399	Nut	2	2	2	2
21	a 110178	Fitting	1	1	1	1
21	a 16483	O-Ring	1	1	1	1
22	a 4604565	Hose Assy	1	1	1	1
23	a 4604566	Hose Assy	1	1	1	1
24	a 4604569	Hose Assy	1	..	1
25	a 4604570	Hose Assy	1	..	1
26	a 1614069	Hose	1	1	1	1
27	a 2046871	Fitting	1	1	1	1
28	a 1527979	Hose Clamp	4	4	4	4

FOOTNOTES:

- a** Electronic Hydraulic Control Option Only
- b** Not Illustrated

**HEADER HOSE AUXILIARY TUBE EXTENSIONS WITHOUT QUICK DISCONNECTS
(FIGURE 13-13)
THREE STAGE FULL FREE- LIFT — ATTACHMENT CARRIAGE**



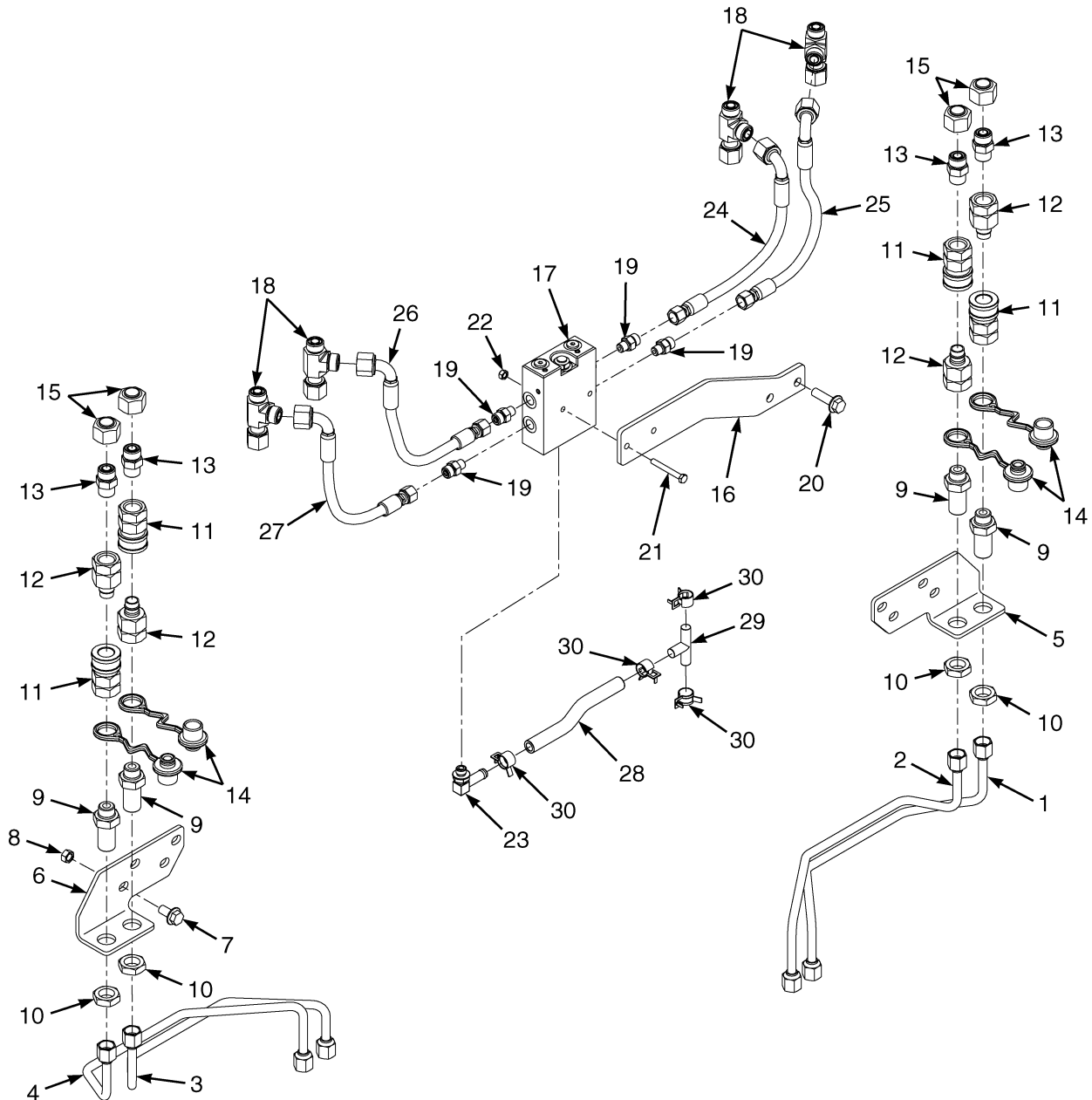
BP000709

**HEADER HOSE AUXILIARY TUBE EXTENSIONS WITHOUT QUICK DISCONNECTS
THREE STAGE FULL FREE- LIFT – ATTACHMENT CARRIAGE**

KEY:**A: H4.5FT — Three Function****B: H4.5FT — Four Function**

ITEM	PART NO.	DESCRIPTION	QTY	
			A	B
1	2093665	Tube Assy	1	1
2	2093666	Tube Assy	1	1
3	2093667	Tube Assy	1
4	2093668	Tube Assy	1
5	1692931	Bracket (Bolt-On) (RH)	1	1
6	1692932	Bracket (Bolt-On) (LH)	1
7	1527884	Capscrew	2	4
8	136692	Nut	2	4
9	816591	Fitting	2	4
9	265731	O-Ring	2	2
9	816593	Locknut	1	1
10	1528580	Fitting	1	2
10	265731	O-Ring	2	2
10	816593	Locknut	1	1
11	1550425	Fitting	1	2
11	265731	O-Ring	2	2
11	816593	Locknut	1	1

HEADER HOSE AUXILIARY TUBE EXTENSIONS WITH QUICK DISCONNECTS (FIGURE 13-14) THREE STAGE FULL FREE-LIFT — ATTACHMENT CARRIAGE



BP000707

HEADER HOSE AUXILIARY TUBE EXTENSIONS WITH QUICK DISCONNECTS THREE STAGE FULL FREE-LIFT – ATTACHMENT CARRIAGE

KEY:**A:** H4.5FT — Three Function**B:** H4.5FT — Four Function

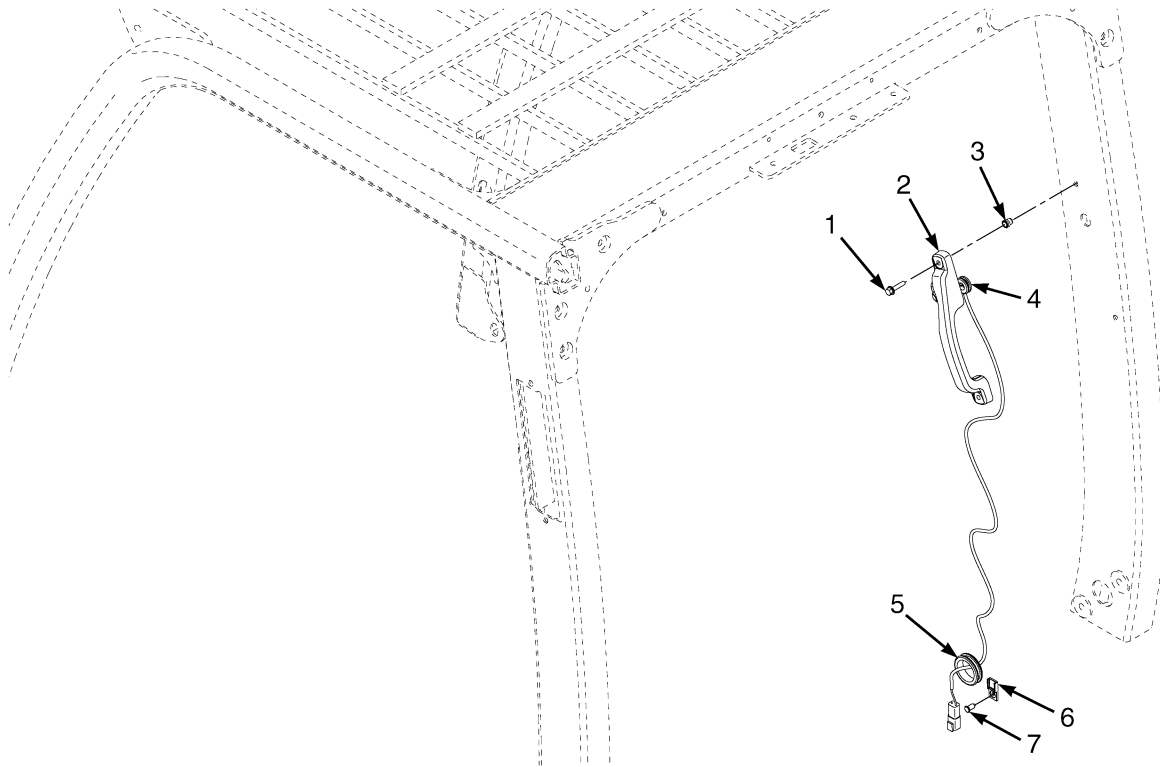
ITEM	PART NO.	DESCRIPTION	QTY	
			A	B
1	2093665	Tube Assy	1	1
2	2093666	Tube Assy	1	1
3	2093667	Tube Assy	1
4	2093668	Tube Assy	1
5	1692931	Bracket (Bolt-On) (RH)	1	1
6	1692932	Bracket (Bolt-On) (LH)	1
7	1527884	Capscrew	2	4
8	136692	Nut	2	4
9	1708365	Bulkhead	2	4
10	816593	Locknut	2	4
11	1377953	Quick Disconnect Fitting	2	4
12	1377954	Fitting	2	4
13	1473887	Fitting	2	4
13	265731	O-Ring	1	1
13	16484	O-Ring	1	1
14	1708368	Dust Cover	2	4
15	1529016	Fitting	2	4
16	a 1708373	Bracket	1	1
17	ab 2111754	Valve	1	..
17	a 2111755	Valve	1
17	a 4010971	Check Valve	2	4
17	a 4010972	Valve	1	1
18	a 1487095	Fitting	2	4
18	a 265731	O-Ring	2	2
19	a 1486737	Fitting	2	4
19	a 1527813	O-Ring	1	1
19	a 16481	O-Ring	1	1
20	a 1527885	Capscrew	2	2
21	a 292505	Capscrew	2	2
22	a 302399	Nut	2	2
23	a 110178	Fitting	1	1
24	a 4604565	Hose Assy	1	1
25	a 4604566	Hose Assy	1	1
26	a 4604569	Hose Assy	1
27	a 4604570	Hose Assy	1
28	a 1614069	Hose	1	1
29	a 2046871	Fitting	1	1
30	a 1527979	Hose Clamp	4	4

FOOTNOTES:**a** Electronic Hydraulic Control Only**b** Not Illustrated

**SECTION 14
OPTIONS**

DESCRIPTION	PAGE
ACCUMULATOR	14-12
BACK-UP ALARM	14-6
DUAL MIRRORS	
WITH CAB	14-9
FIRE EXTINGUISHER	14-10
GM LPG REGULATOR DRAIN KIT	14-16
HEADER HOSE AUXILIARY TUBE EXTENSIONS	
THREE STAGE FULL FREE- LIFT - INTEGRAL SIDE-SHIFT CARRIAGE WITHOUT QUICK DISCONNECTS	14-38
TWO STAGE FULL FREE- LIFT - INTEGRAL SIDE-SHIFT CARRIAGE WITHOUT QUICK DISCONNECTS	14-37
TWO STAGE LIMITED FREE-LIFT - INTEGRAL SIDE-SHIFT CARRIAGE WITHOUT QUICK DISCONNECTS	14-36
HEADER HOSE AUXILIARY TUBE EXTENSIONS WITH QUICK DISCONNECTS	
THREE STAGE FULL FREE-LIFT - INTEGRAL SIDE-SHIFT CARRIAGE	14-44
TWO STAGE FULL FREE-LIFT - INTEGRAL SIDE-SHIFT CARRIAGE	14-42
TWO STAGE LIMITED FREE-LIFT - INTEGRAL SIDE-SHIFT CARRIAGE	14-40
INTEGRAL SIDE-SHIFT ASSEMBLY	
H4.0FT5, H4.0FT6 (1219 MM, 1524 MM) - TWO AND THREE STAGE FULL FREE-LIFT	14-18
H4.0FT5, H4.0FT6, (1219 MM, 1524 MM) - TWO STAGE LIMITED FREE-LIFT	14-20
H4.5FTS5 , H4.5FT6-H5.0-5.5FT (1372 MM AND 1524 MM) - TWO STAGE LIMITED FREE-LIFT	14-30
H4.5FTS5, H4.5FT6-H5.0-5.5FT (1372 MM AND 1524 MM) - TWO AND THREE STAGE FULL FREE- LIFT	14-28
INTEGRAL SIDE-SHIFT CARRIAGE	
H4.0FT5, H4.0FT6 (1219 MM, 1524 MM) - TWO STAGE LIMITED FREE-LIFT	14-22
H4.0FT5, H4.0FT6 (1219 MM) - TWO AND THREE STAGE FULL FREE-LIFT	14-26
H4.0FT5, H4.0FT6 (1524 MM) - TWO AND THREE STAGE FULL FREE-LIFT	14-24
H4.5FTS5 , H4.5FT6, H5.0-5.5FT (1372 MM AND 1524 MM) - TWO STAGE LIMITED FREE-LIFT	14-32
H4.5FTS5, H4.5FT6-H5.0-5.5FT (1372 MM AND 1524 MM) - TWO AND THREE STAGE FULL FREE- LIFT	14-34
LIFTING EYES	14-14
MIRROR	
WITHOUT CAB	14-8
REAR DRIVE HANDLE	14-2
STROBE LIGHT	
LED	14-4

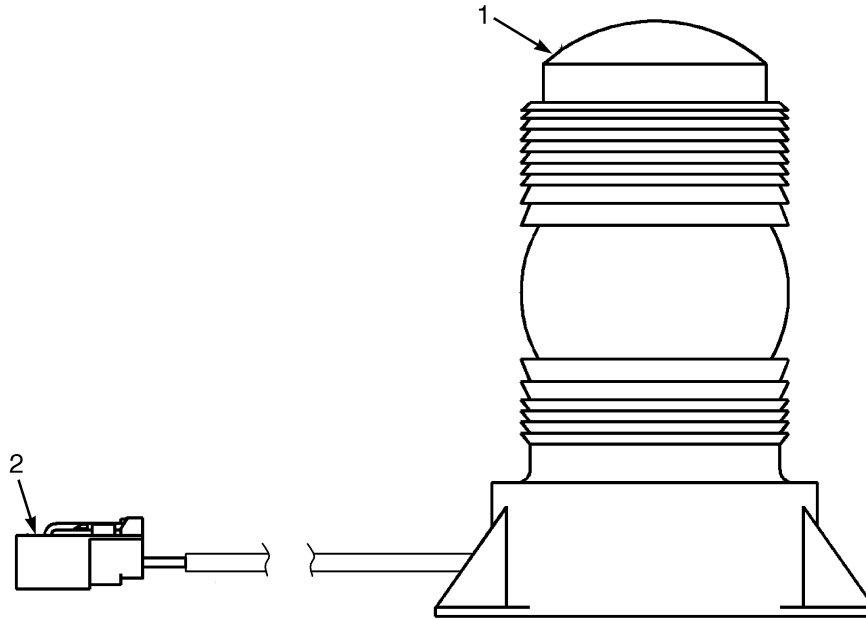
REAR DRIVE HANDLE (FIGURE 14-1)



BP000694

ITEM	PART NO.	DESCRIPTION	QTY
	1586495	Capscrew	2
2	2070223	Handle (Assembly)	1
2	1566726	Push Button Switch	1
2	1493465	Connector (2 Pin)	1
2	1330415	Connector (Secondary Lock)	1
3	1531558	Insert	2
4	1598220	Grommet	1
5	362255	Grommet	1
6	1500912	Clip	1
7	1582464	Fastener	1

**STROBE LIGHT (FIGURE 14-2)
LED**

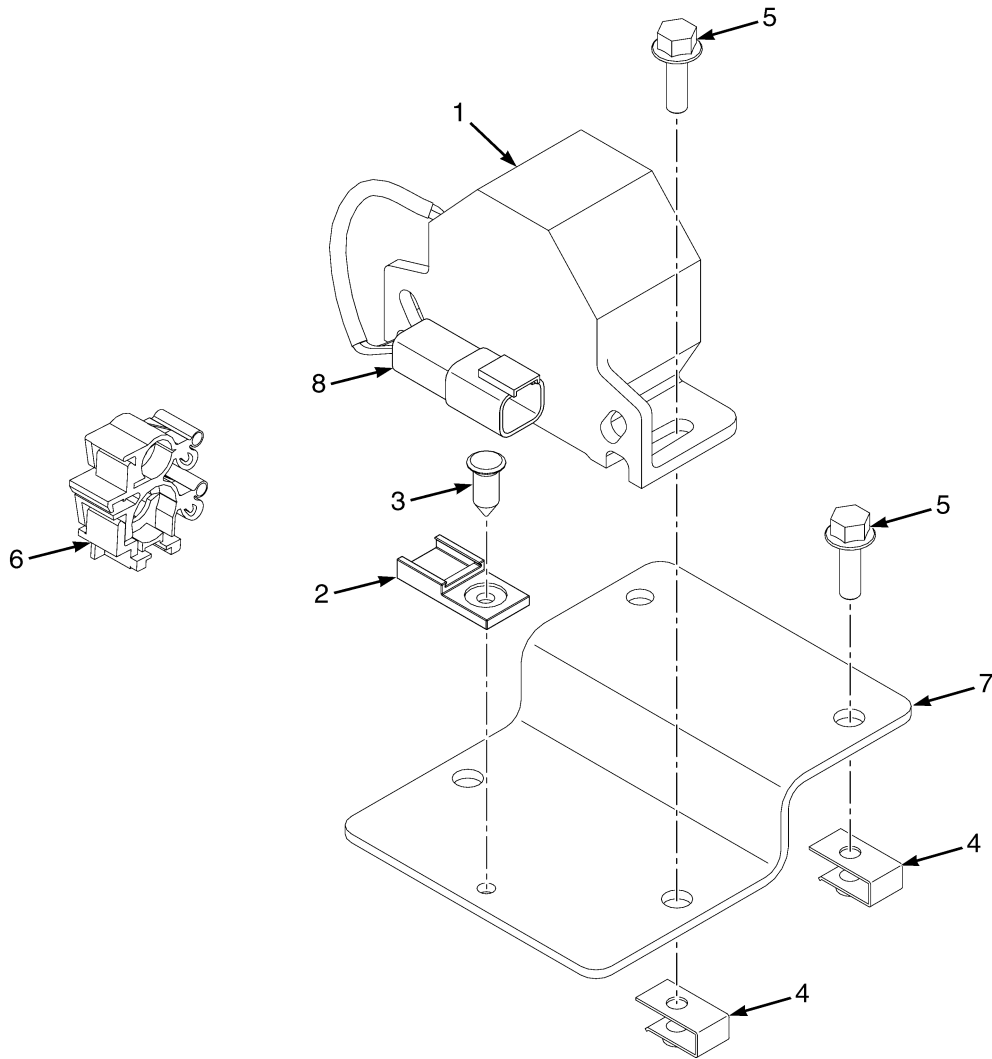


BP000363

**STROBE LIGHT
LED**

ITEM	PART NO.	DESCRIPTION	QTY
	1654013	Strobe Light Assembly	1
1	1652290	Strobe Light (Amber LED)	1
2	1463138	Terminal Pin	1
2	1561559	Connector (2 Pin)	1
2	1561755	Connector (Secondary Lock)	1

BACK-UP ALARM (FIGURE 14-3)

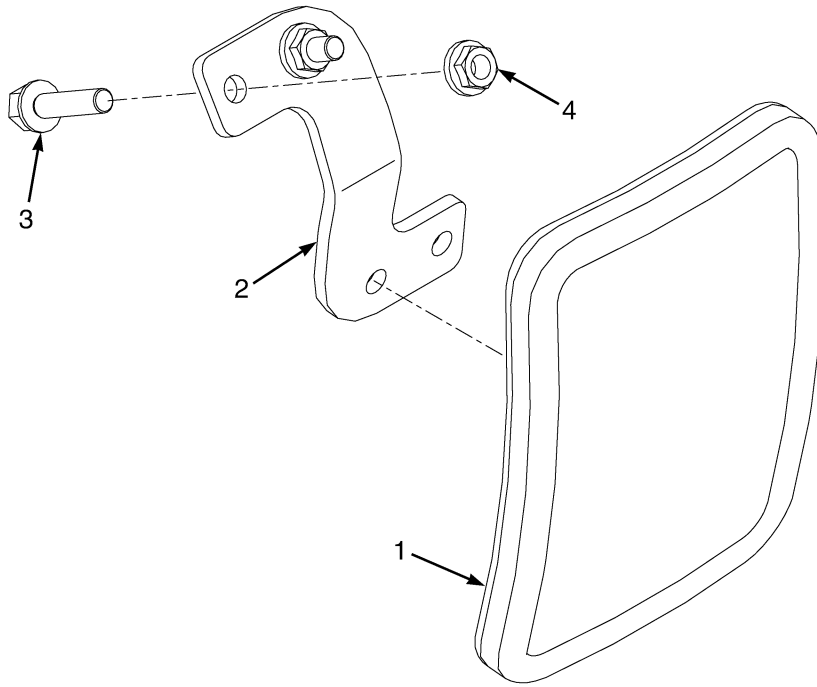


BP000792

BACK-UP ALARM**KEY:****A: Short Wheel Base****B: Long Wheel Base**

ITEM	PART NO.	DESCRIPTION	QTY	
			A	B
1	2064929	Back-Up Alarm (82-102 dbA)	1	1
2	1500912	Clip	1	1
3	1582464	Fastener	1	1
4	1350215	Nut	2	4
5	1527877	Capscrew	2	4
6	1579403	Clip (To RH Chassis Harness)	1	..
7	4072273	Bracket	1
8	Connector Assembly (To RH Chassis Harness)	1	1

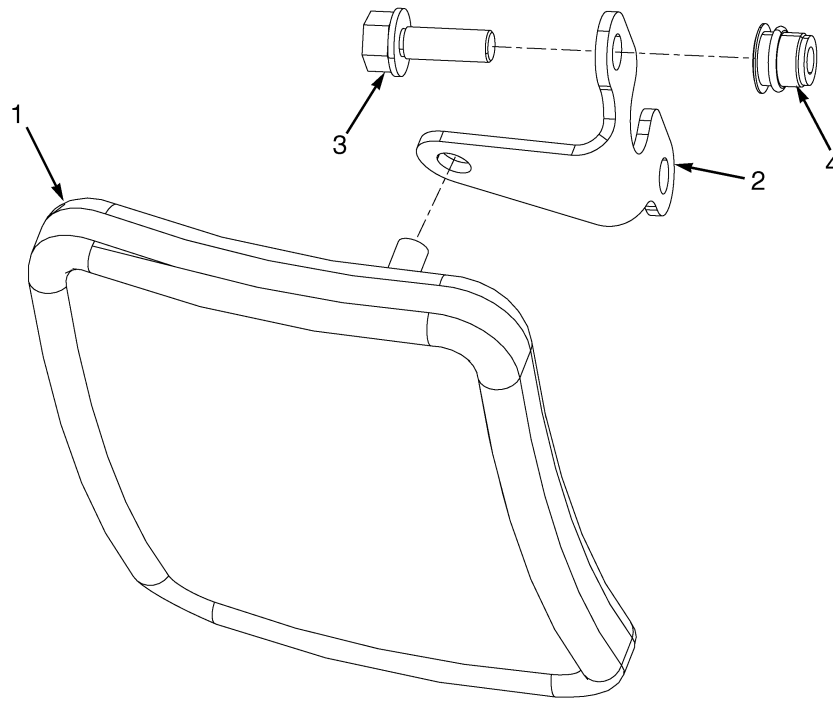
MIRROR (FIGURE 14-4) WITHOUT CAB



BP000540

ITEM	PART NO.	DESCRIPTION	QTY
1	4009488	Mirror	2
2	1656215	Bracket (RH)	1
2	1656216	Bracket (LH)	1
3	1586627	Capscrew	4
4	1586430	Nut	4

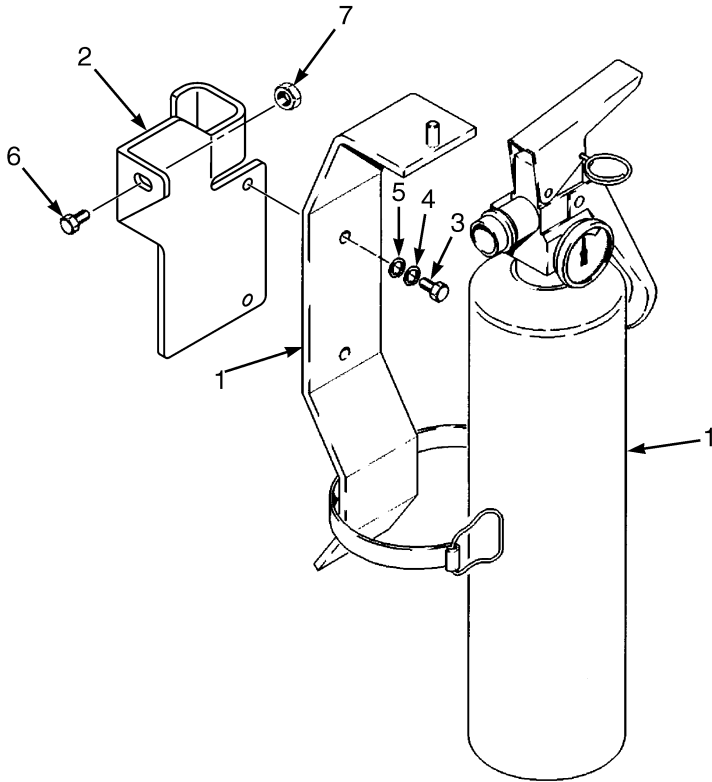
**DUAL MIRRORS (FIGURE 14-5)
WITH CAB**



HP000896

ITEM	PART NO.	DESCRIPTION	QTY
1	4009488	Mirror	2
2	1579412	Bracket	2
3	1583611	Capscrew	4
4	1531557	Insert	4

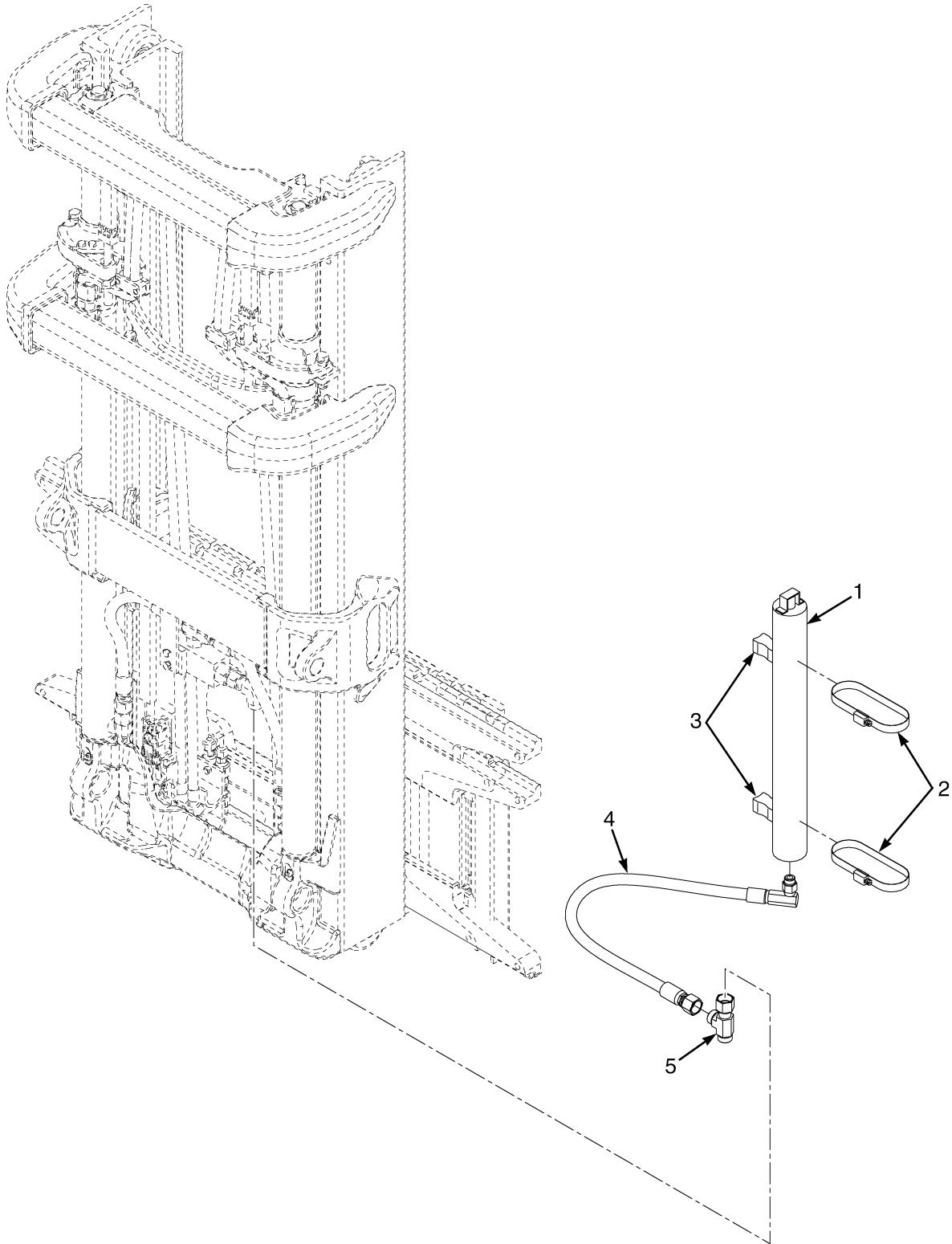
FIRE EXTINGUISHER (FIGURE 14-6)



BP000354

ITEM	PART NO.	DESCRIPTION	QTY
1	146540	Fire Extinguisher	1
1	1561749	Bracket	1
2	1641394	Bracket (Without Cab)	1
2	1623155	Bracket (With Cab)	1
3	296507	Screw	2
4	292679	Washer	2
5	320155	Washer	2
6	1583611	Capscrew (Without Cab)	1
6	1586495	Capscrew (With Cab)	2
7	1502543	Nut (Flange) (Without Cab)	1
7	1531558	Insert (With Cab)	2

ACCUMULATOR (FIGURE 14-7)

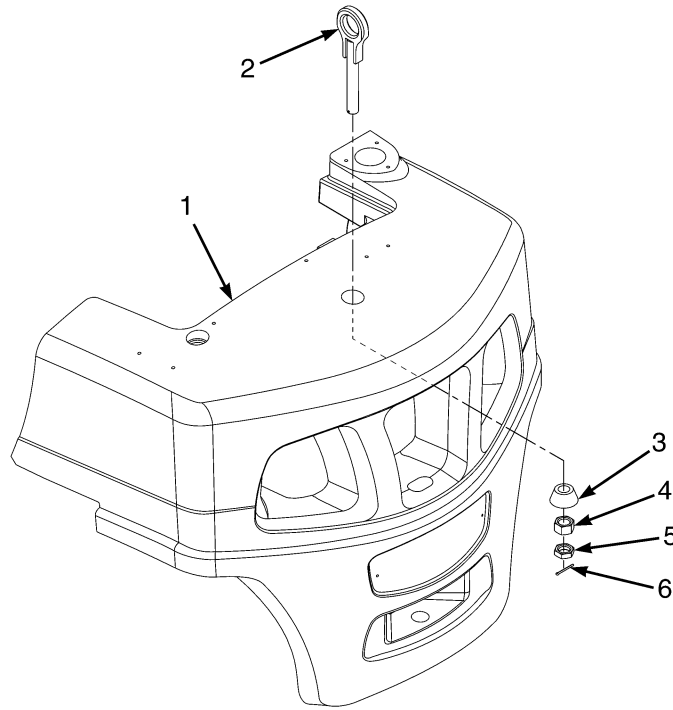


BP000479

ACCUMULATOR

ITEM	PART NO.	DESCRIPTION	QTY
1	1629185	Accumulator	1
1	1695807	Accumulator (Alternate Part)	1
2	4031653	Strap Clamp	2
3	1609864	Spacer	2
4	2091868	Hose Assy	1
5	1487096	Fitting	1
5	252729	O-Ring	3

LIFTING EYES (FIGURE 14-8)



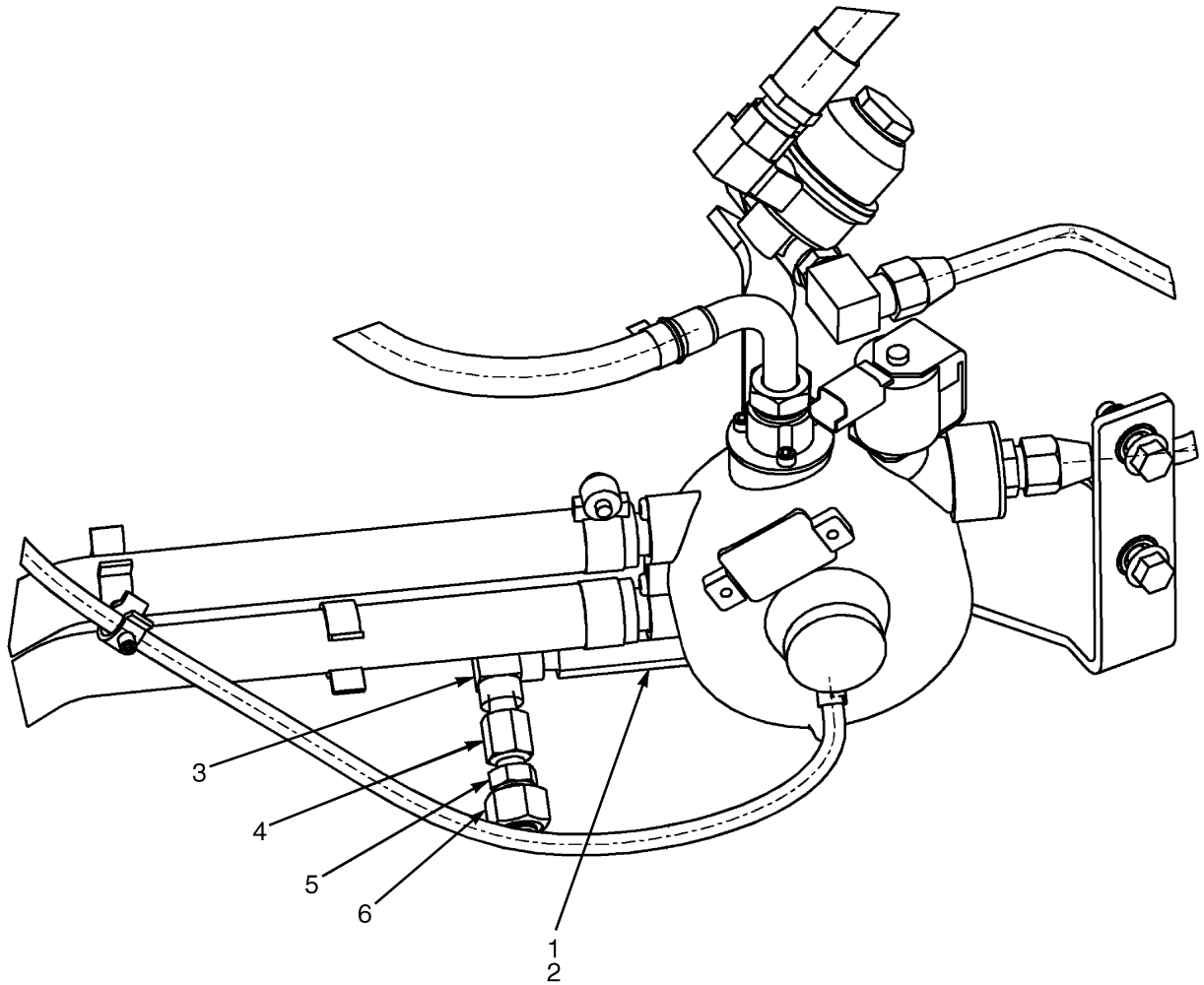
BP000669

ITEM	PART NO.	DESCRIPTION	QTY
1	Counterweight	1
2	1651797	Eyebolt	1
3	1474318	Anchor	1
4	292661	Nut	1
5	a 1593341	Nut	1
6	15246	Cotter Pin	1

FOOTNOTES:

a Not Illustrated

GM LPG REGULATOR DRAIN KIT (FIGURE 14-9)



BP000396

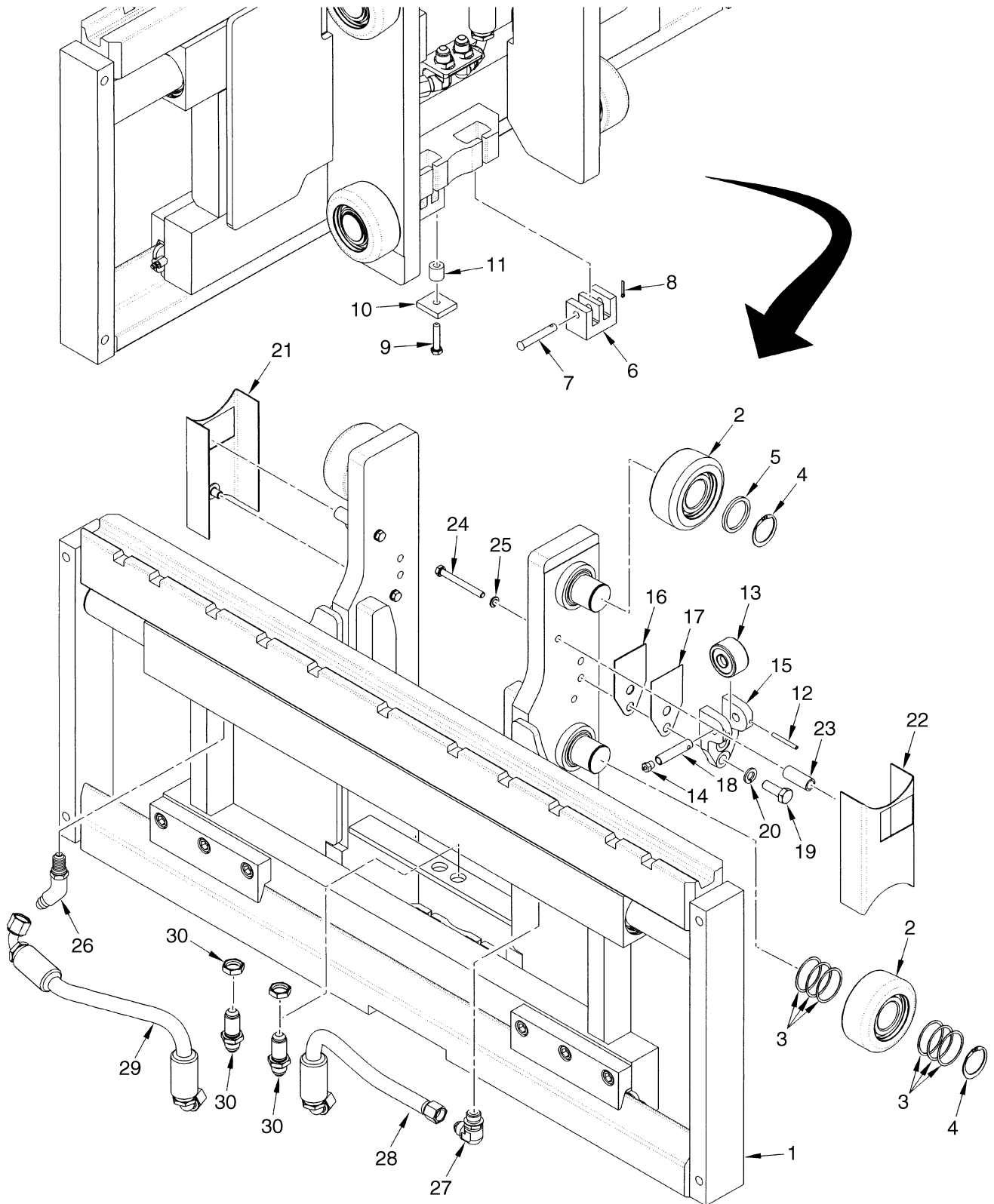
GM LPG REGULATOR DRAIN KIT

ITEM	PART NO.	DESCRIPTION	QTY
	1664940	Kit-Service (GM LPG regulator Drain GM2.4L and 4.32)	1
1	1652140	Fitting	1
2	16481	O-Ring	1
3	69392	Fitting	1
4	28584	Fitting	1
5	1488404	Fitting	1
6	1529014	Fitting	1
7	a 273338	Thread Sealant	1

FOOTNOTES:

a Not Shown

INTEGRAL SIDE-SHIFT ASSEMBLY (FIGURE 14-10) H4.0FT5, H4.0FT6 (1219 MM, 1524 MM) — TWO AND THREE STAGE FULL FREE-LIFT



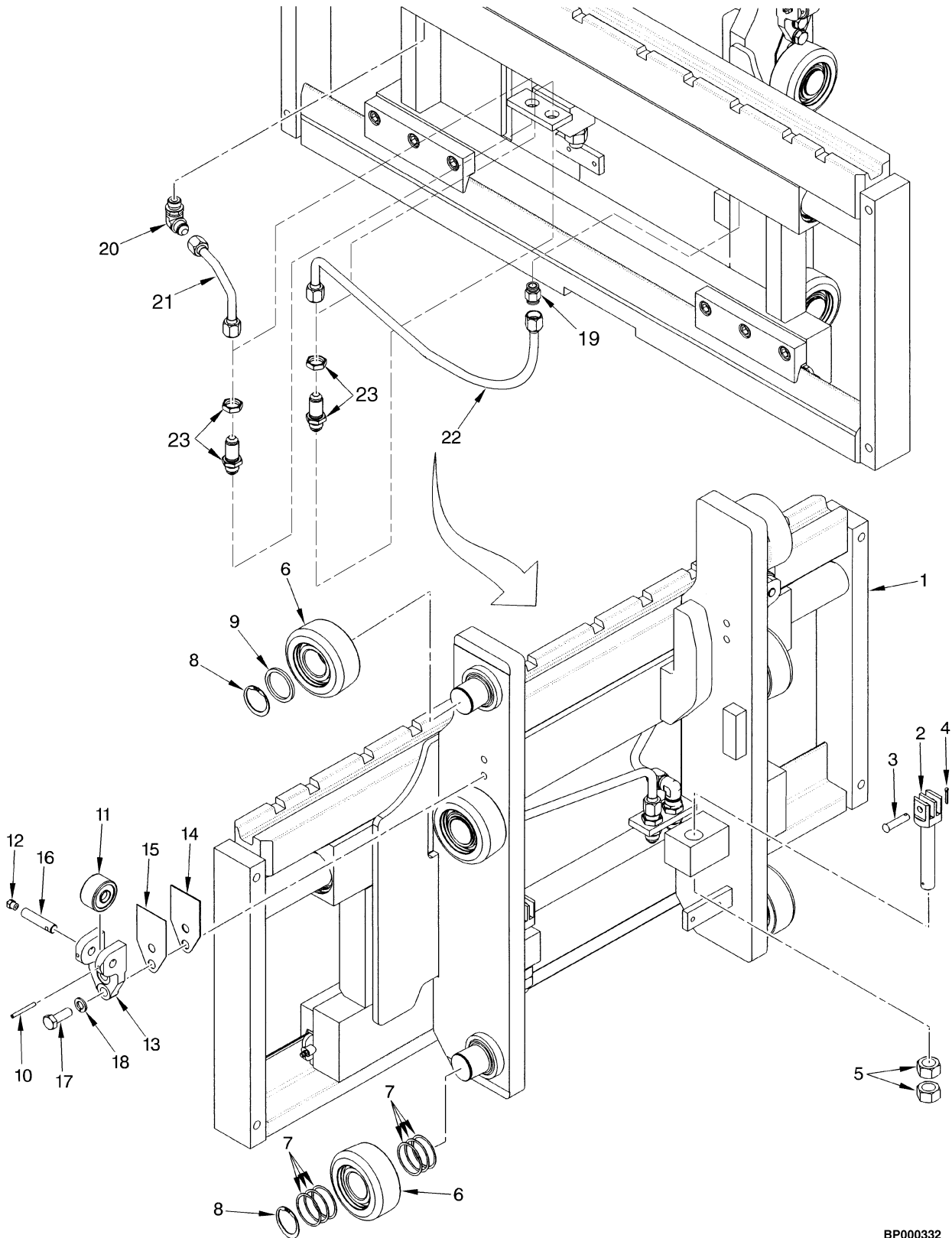
BP000334

INTEGRAL SIDE-SHIFT ASSEMBLY
H4.0FT5, H4.0FT6 (1219 MM, 1524 MM) – TWO AND THREE STAGE FULL FREE-LIFT

ITEM	PART NO.	DESCRIPTION	QTY
	b 2038594	Side-Shift Carriage (1219 mm) (Group No. 8502090)	1
	b 2038596	Side-Shift Carriage (1524 mm) (Group No. 8502091)	1
	a 2037955	Side-Shift Carriage (1219 mm) (Group No. 8502070)	1
	a 2037956	Side-Shift Carriage (1524 mm) (Group No. 8502071)	1
1	Carriage Frame	1
2	1511883	Load Roller ("B") (104.44/104.18)	6
3	126765	Shim	24
4	1465072	Snap Ring	6
5	1399224	Spacer	2
6	1387548	Chain Anchor	2
7	1387549	Pin	2
8	15222	Cotter Pin	2
9	18520	Capscrew	1
10	1400126	Plate	1
11	1400125	Spacer	1
12	66333	Roll Pin	2
13	1387993 1670064	Thrust Bearing (Side Thrust Roller)	2
14	16001	Grease Fitting	2
15	1465177	Bracket	2
16	192425	Shim (1.575 mm)	AR
17	192424	Shim (0.762 mm)	AR
18	1670065	Pin	2
19	292528	Capscrew	4
20	292683	Lockwasher	4
21	319322	Bracket Wldmt (Guard RH)	1
22	319323	Bracket Wldmt (Guard LH)	1
23	317292	Spacer	4
24	18518	Capscrew	4
25	15155	Lockwasher	4
26	1516202	Fitting	1
26	265731	O-Ring	1
26	16484	O-Ring	1
27	1473897	Fitting	1
27	16484	O-Ring	1
27	265731	O-Ring	1
28	2093349	Hose Assy	1
29	2093350	Hose Assy	1
30	16448	Fitting	2

FOOTNOTES:**a** Three Stage Full Free-Lift**b** Two Stage Full Free-Lift

INTEGRAL SIDE-SHIFT ASSEMBLY (FIGURE 14-11) H4.0FT5, H4.0FT6, (1219 MM, 1524 MM) — TWO STAGE LIMITED FREE-LIFT

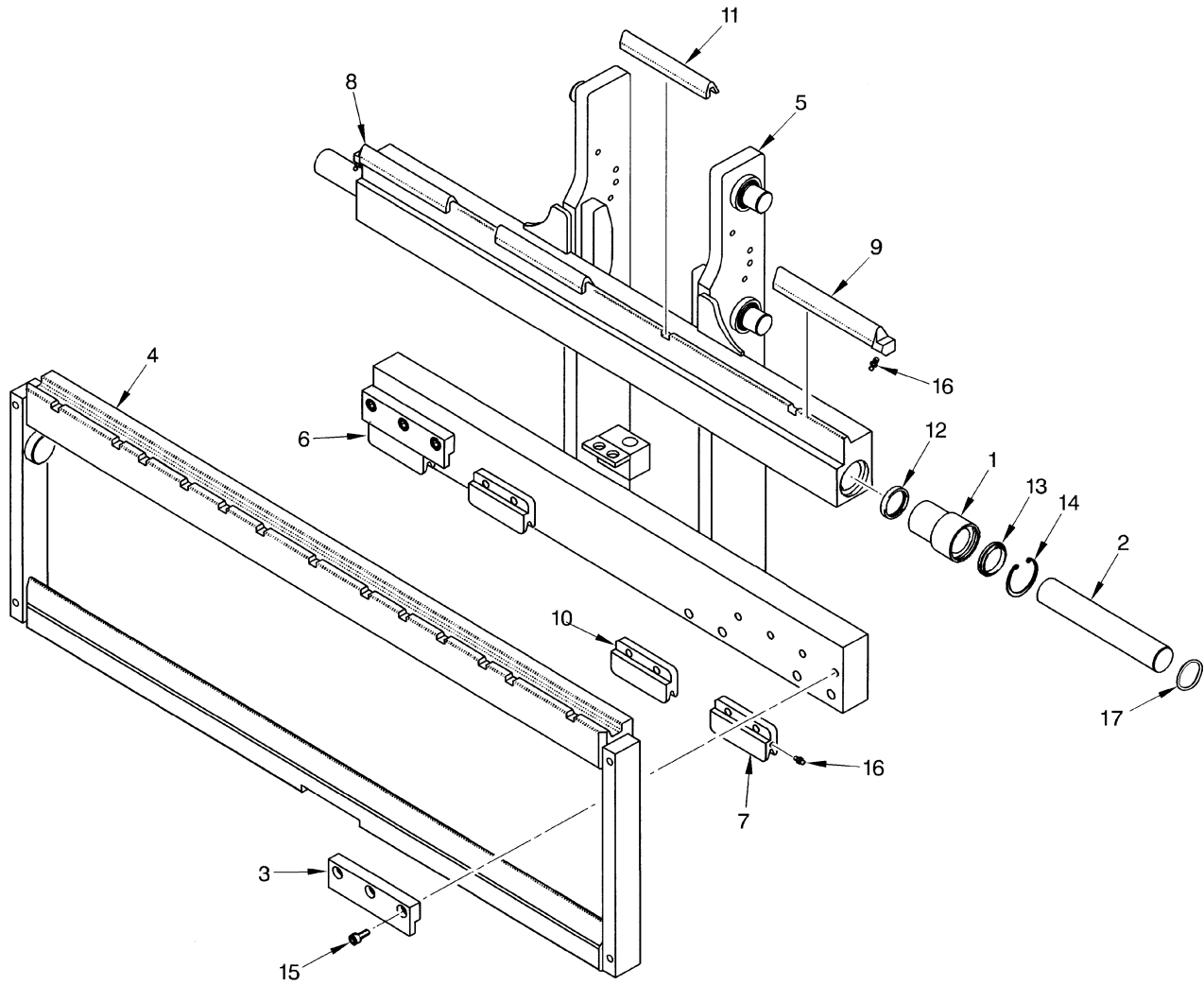


BP000332

INTEGRAL SIDE-SHIFT ASSEMBLY
H4.0FT5, H4.0FT6, (1219 MM, 1524 MM) – TWO STAGE LIMITED FREE-LIFT

ITEM	PART NO.	DESCRIPTION	QTY
	2037951	Side-Shift Carriage Assembly (1219 mm) (Group No. 8502066)	1
	2037952	Side-Shift Carriage Assembly (1524 mm) (Group No. 8502067)	1
1	2037943	Side-Shift Carriage (1219 mm)	1
1	2037944	Side-Shift Carriage (1524 mm)	1
2	1387285	Chain Anchor	2
3	327591	Pin	2
4	15222	Cotter Pin	2
5	221717	Nut	4
6	1511883	Load Roller ("B") (104.44/104.18)	6
7	126765	Shim	24
8	1465072	Snap Ring	6
9	1399224	Spacer	2
10	66333	Roll Pin	2
11	1387993		
	1670064	Thrust Bearing (Side Thrust Roller)	2
12	16001	Grease Fitting	2
13	1465177	Bracket	2
14	192425	Shim (1.575 mm)	AR
15	192424	Shim (0.762 mm)	AR
16	1465028	Pin	2
17	292528	Capscrew	4
18	292683	Lockwasher	4
19	1473887	Fitting	1
19	265731	O-Ring	1
19	16484	O-Ring	1
20	1473897	Fitting	1
20	16484	O-Ring	1
20	265731	O-Ring	1
21	2093348	Hose Assy	1
22	2093347	Hose Assy	1
23	16449	Fitting	2

INTEGRAL SIDE-SHIFT CARRIAGE (FIGURE 14-12) H4.0FT5, H4.0FT6 (1219 MM, 1524 MM) — TWO STAGE LIMITED FREE-LIFT

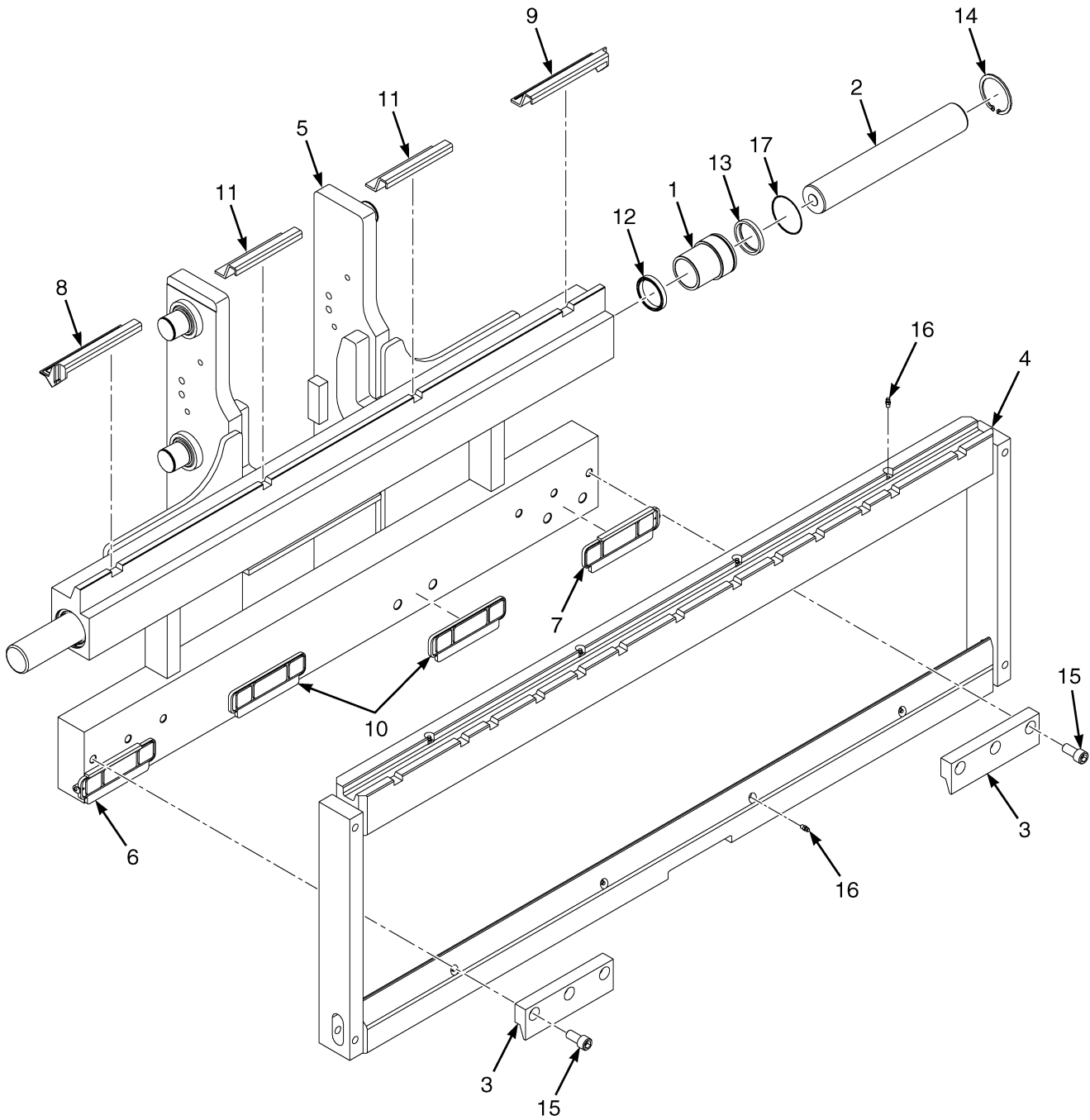


HP000036

INTEGRAL SIDE-SHIFT CARRIAGE
H4.0FT5, H4.0FT6 (1219 MM, 1524 MM) – TWO STAGE LIMITED FREE-LIFT

ITEM	PART NO.	DESCRIPTION	QTY
	2037943	Side-Shift Carriage (1219 mm)	1
	2037944	Side-Shift Carriage (1524 mm)	1
1	1467151	Bushing	2
2	1467153	Rod	2
3	1467154	Hook	2
4	1532640	Apron (1219 mm)	1
4	1532643	Apron (1524 mm)	1
5	1467769	Side Shift Carriage Fixed Frame (1219 mm)	1
5	1467771	Side Shift Carriage Fixed Frame (1524 mm)	1
6	1467145	Wear Strip (Right Lower)	1
7	1467146	Wear Strip (Left Lower)	1
8	1467147	Wear Strip (Right Upper)	1
9	1467148	Wear Strip (Left Upper)	1
10	1467201	Wear Strip (Central Lower)	2
11	1467200	Wear Strip (Central Upper)	2
12	1622935	Seal	2
13	1467150	Rod Wiper	2
14	1467632	Snap Ring	2
15	1467633	Screw	6
16	16041	Grease Fitting	4
17	39365	O-Ring	2
	2083999	Kit-Seal (Class III)	1

INTEGRAL SIDE-SHIFT CARRIAGE (FIGURE 14-13) H4.0FT5, H4.0FT6 (1524 MM) — TWO AND THREE STAGE FULL FREE-LIFT



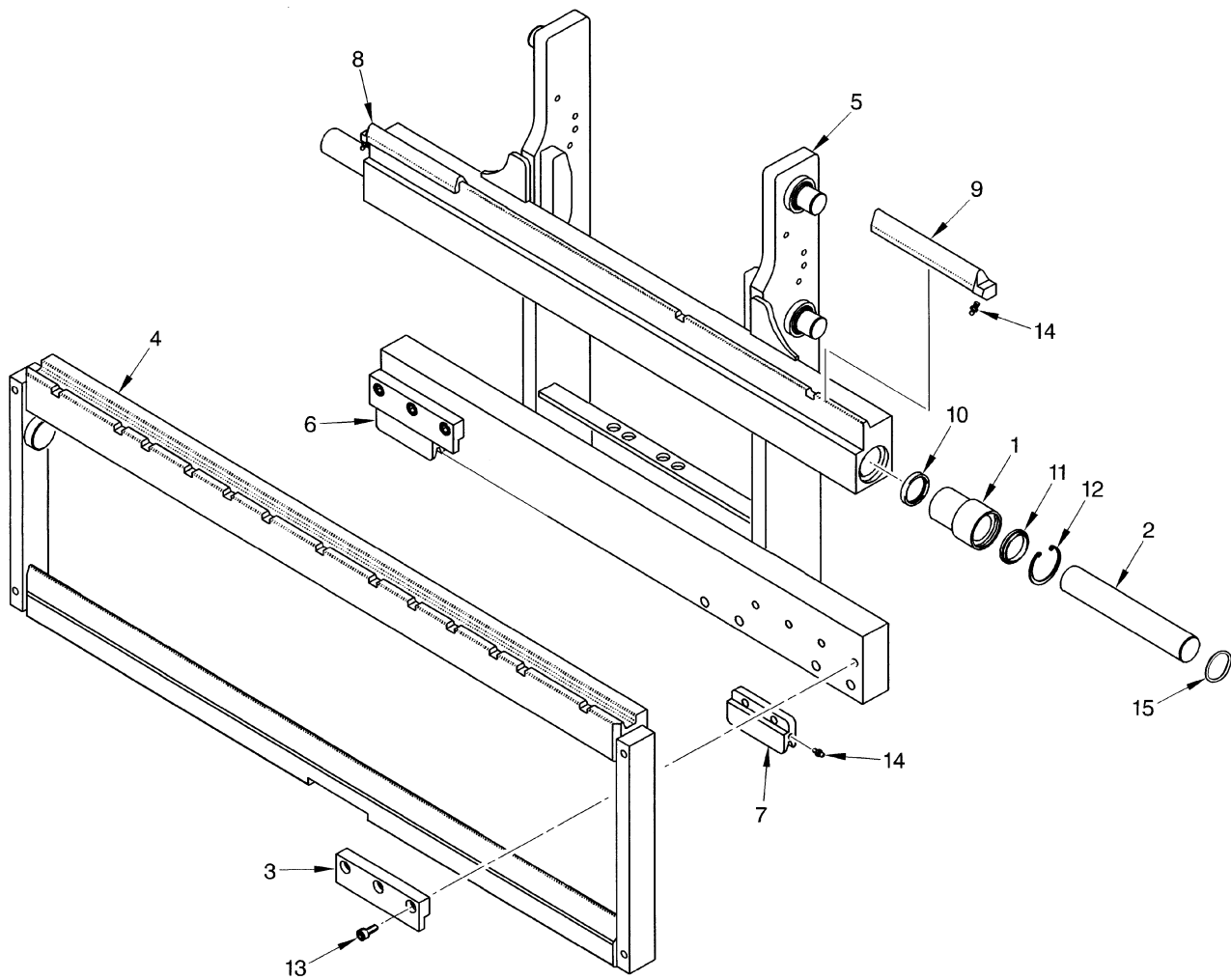
HP000039

INTEGRAL SIDE-SHIFT CARRIAGE
H4.0FT5, H4.0FT6 (1524 MM) – TWO AND THREE STAGE FULL FREE-LIFT

ITEM	PART NO.	DESCRIPTION	QTY
	b 2038599	Side-Shift Carriage (1524 mm)	1
	a 2037948	Side-Shift Carriage (1524 mm)	1
1	1467151	Bushing	2
2	1467153	Rod	2
3	1467154	Hook	2
4	1532643	Apron (1524 mm)	1
5	b 1483335	Frame	1
5	a 1467772	Frame	1
6	1467145	Wear Strip (Right Lower)	1
7	1467146	Wear Strip (Left Lower)	1
8	1467147	Wear Strip (Right Upper)	1
9	1467148	Wear Strip (Left Upper)	1
10	1467201	Wear Strip (Central Lower)	2
11	1467200	Wear Strip (Central Upper)	2
12	1622935	Seal	2
13	1467150	Rod Wiper	2
14	1467632	Snap Ring	2
15	1467633	Screw	6
16	16041	Grease Fitting	4
17	39365	O-Ring	2
	2083999	Kit-Seal (Class III)	1

FOOTNOTES:**a** Three Stage Full Free-Lift**b** Two Stage Full Free-Lift

INTEGRAL SIDE-SHIFT CARRIAGE (FIGURE 14-14) H4.0FT5, H4.0FT6 (1219 MM) — TWO AND THREE STAGE FULL FREE-LIFT



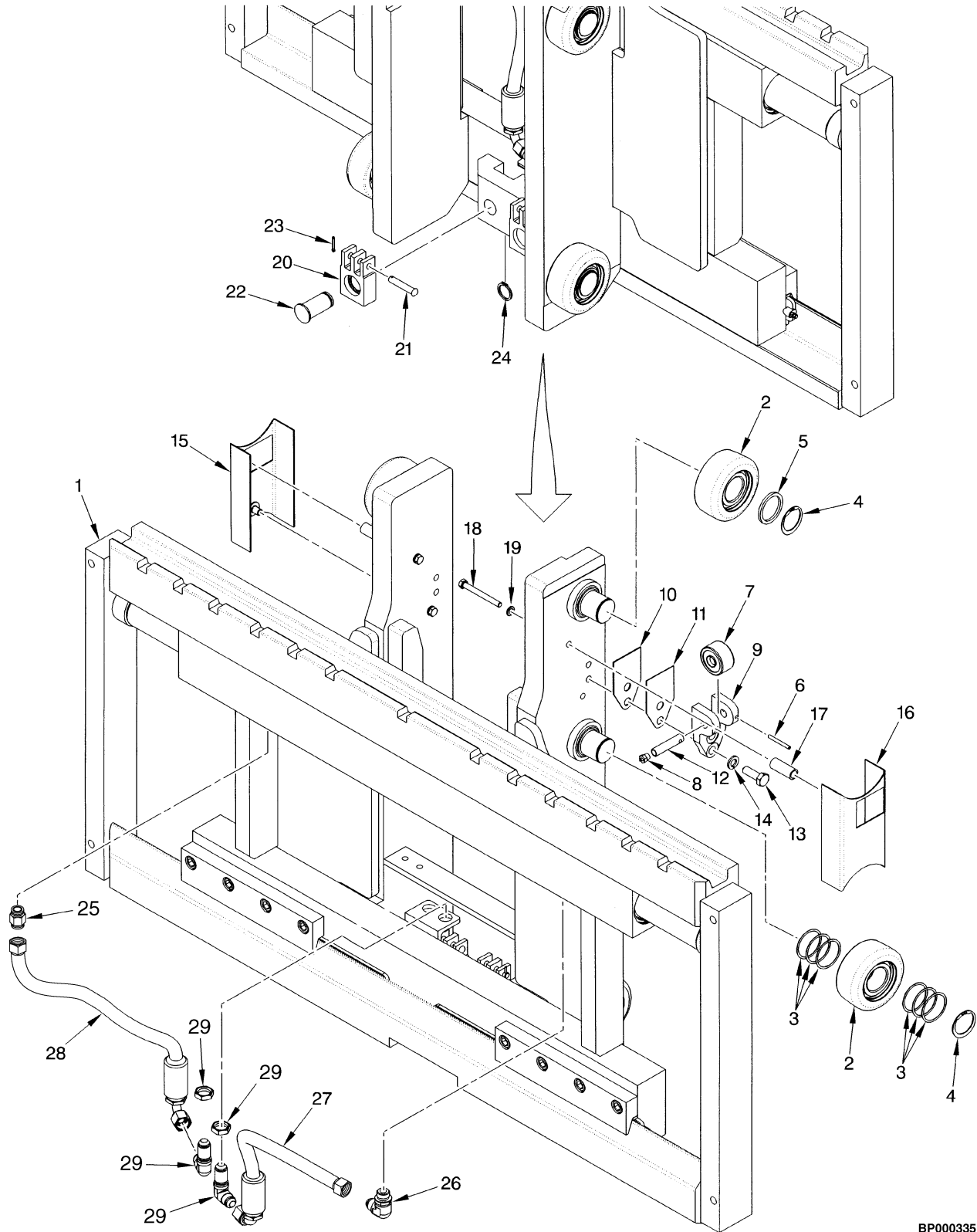
HP000038

INTEGRAL SIDE-SHIFT CARRIAGE
H4.0FT5, H4.0FT6 (1219 MM) – TWO AND THREE STAGE FULL FREE-LIFT

ITEM	PART NO.	DESCRIPTION	QTY
	b 2038595	Side-Shift Carriage (1219 mm)	1
	a 2037947	Side-Shift Carriage (1219 mm)	1
1	1467151	Bushing	2
2	1467153	Rod	2
3	1467154	Hook	2
4	1532640	Apron (1219 mm)	1
5	b 1483336	Frame	1
5	a 1467770	Frame	1
6	1467145	Wear Strip (Right Lower)	1
7	1467146	Wear Strip (Left Lower)	1
8	1467147	Wear Strip (Right Upper)	1
9	1467148	Wear Strip (Left Upper)	1
10	1622935	Seal	2
11	1467150	Rod Wiper	2
12	1467632	Snap Ring	2
13	1467633	Screw	6
14	16041	Grease Fitting	4
15	39365	O-Ring	2
	2083999	Kit-Seal (Class III)	1

FOOTNOTES:**a** Three Stage Full Free-Lift**b** Two Stage Full Free-Lift

INTEGRAL SIDE-SHIFT ASSEMBLY (FIGURE 14-15) H4.5FTS5, H4.5FT6-H5.0-5.5FT (1372 MM AND 1524 MM) — TWO AND THREE STAGE FULL FREE-LIFT



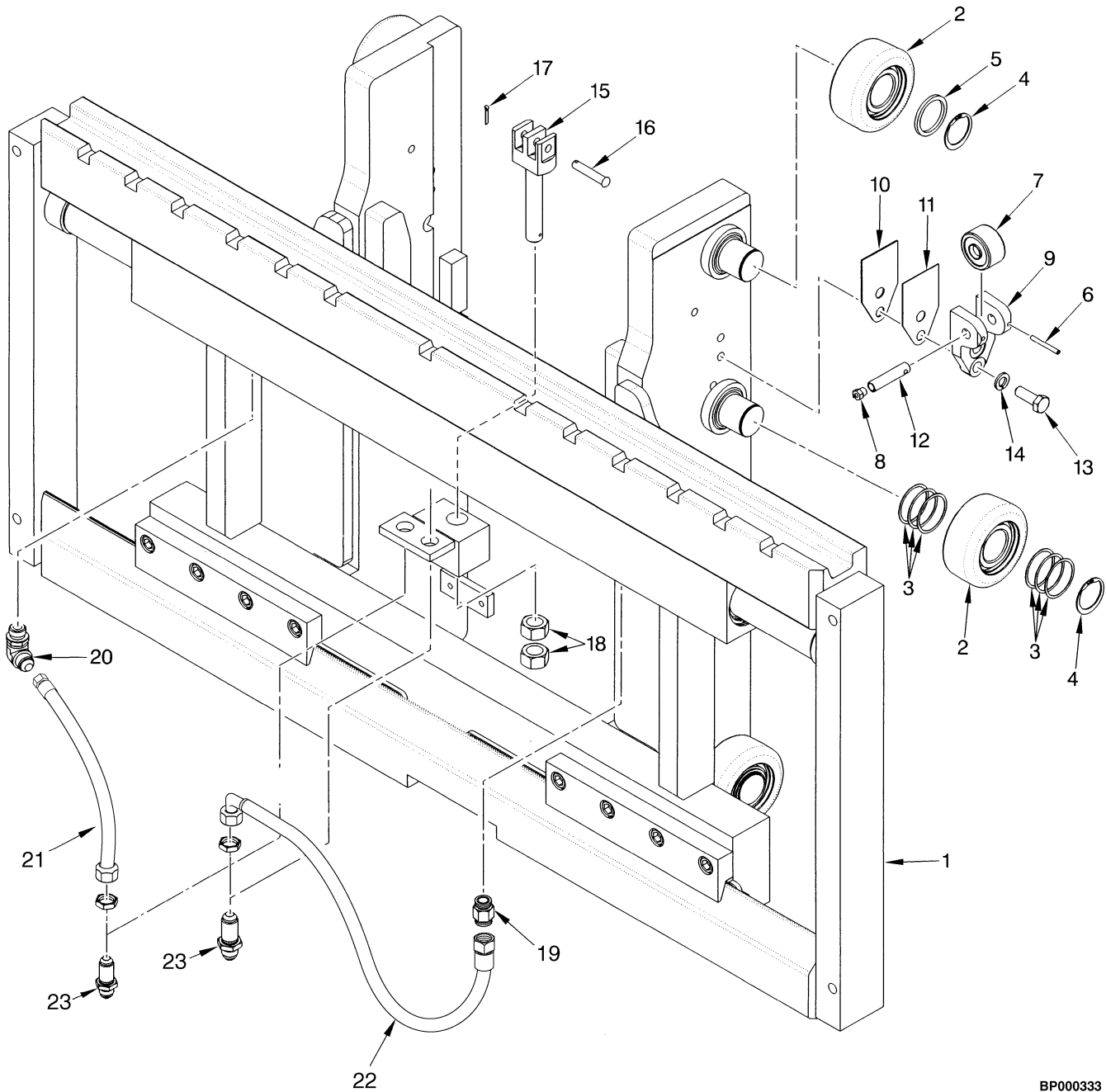
BP000335

INTEGRAL SIDE-SHIFT ASSEMBLY**H4.5FTS5, H4.5FT6-H5.0-5.5FT (1372 MM AND 1524 MM) – TWO AND THREE STAGE FULL FREE-LIFT**

ITEM	PART NO.	DESCRIPTION	QTY
	b 2038597		
	4624027	Side-Shift Carriage (1372 mm) (Group No. 8502092)	1
	b 2038598		
	4624028	Side-Shift Carriage (1524 mm) (Group No. 8502093)	1
	a 2037957		
	4624030	Side-Shift Carriage (1354 mm) (Group No. 8502072)	1
	a 2037958		
	4624029	Side-Shift Carriage (1524 mm) (Group No. 8502073)	1
1	Carriage	1
2	1511883	Load Roller ("B") (104.44/104.18)	6
3	126765	Shim	24
4	1465072	Snap Ring	6
5	1399224	Spacer	2
6	66333	Roll Pin	2
7	1387993		
	1670064	Thrust Bearing (Side Thrust Roller)	2
8	16001	Grease Fitting	2
9	1465177	Bracket	2
10	192425	Shim (1.575 mm)	AR
11	192424	Shim (0.762 mm)	AR
12	1670065	Pin	2
13	292528	Capscrew	4
14	292683	Lockwasher	4
15	319322	Bracket Wldmt (Guard RH)	1
16	319323	Bracket Wldmt (Guard LH)	1
17	317292	Spacer	4
18	18520	Capscrew	3
18	18518	Capscrew	1
19	15155	Lockwasher	4
20	1480392	Chain Anchor	2
21	339932	Pin	2
22	320327	Pin	2
23	15222	Cotter Pin	2
24	131358	Snap Ring	2
25	1473887	Fitting	1
25	265731	O-Ring	1
25	16484	O-Ring	1
26	1473897	Fitting	1
26	16484	O-Ring	1
26	265731	O-Ring	1
27	2093351	Hose Assy	1
28	2093352	Hose Assy	1
29	16458	Fitting	2

FOOTNOTES:**a** Three Stage Full Free-Lift**b** Two Stage Full Free-Lift

INTEGRAL SIDE-SHIFT ASSEMBLY (FIGURE 14-16) H4.5FTS5 , H4.5FT6-H5.0-5.5FT (1372 MM AND 1524 MM) — TWO STAGE LIMITED FREE-LIFT

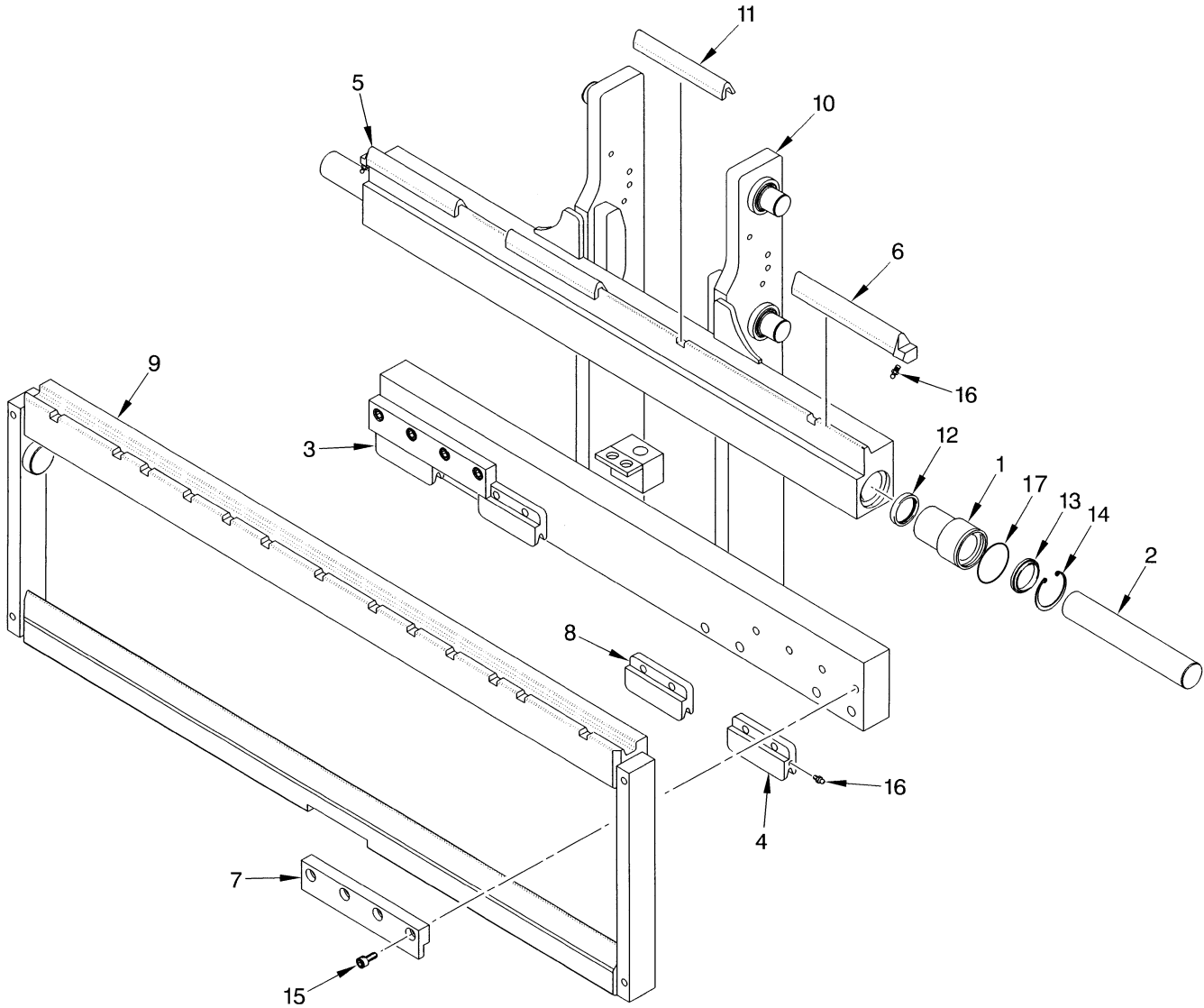


BP000333

INTEGRAL SIDE-SHIFT ASSEMBLY
H4.5FTS5 , H4.5FT6-H5.0-5.5FT (1372 MM AND 1524 MM) – TWO STAGE LIMITED FREE-LIFT

ITEM	PART NO.	DESCRIPTION	QTY
	2037953	Side-Shift Carriage Assembly (1372 mm) (Group No. 8502068)	1
	2037954	Side-Shift Carriage Assembly (1524 mm) (Group No. 8502069)	1
1	2037945	Side-Shift Carriage (1372 mm)	1
1	2037946	Side-Shift Carriage (1524 mm)	1
2	1511883	Load Roller ("B") (104.44/104.18)	6
3	126765	Shim	24
4	1465072	Snap Ring	6
5	1399224	Spacer	2
6	66333	Roll Pin	2
7	1387993		
	1670064	Thrust Bearing (Side Thrust Roller)	2
8	16001	Grease Fitting	2
9	1465177	Bracket	2
10	192425	Shim (1.575 mm)	AR
11	192424	Shim (0.762 mm)	AR
12	1670065	Pin	2
13	292528	Capscrew	4
14	292683	Lockwasher	4
15	1387286	Chain Anchor	2
16	339932	Pin	2
17	15222	Cotter Pin	2
18	221717	Nut	4
19	1473887	Fitting	1
19	265731	O-Ring	1
19	16484	O-Ring	1
20	1473897	Fitting	1
20	16484	O-Ring	1
20	265731	O-Ring	1
21	2093346	Hose Assy	1
22	2093345	Hose Assy	1
23	16448	Fitting	2

INTEGRAL SIDE-SHIFT CARRIAGE (FIGURE 14-17) H4.5FTS5 , H4.5FT6, H5.0-5.5FT (1372 MM AND 1524 MM) — TWO STAGE LIMITED FREE-LIFT

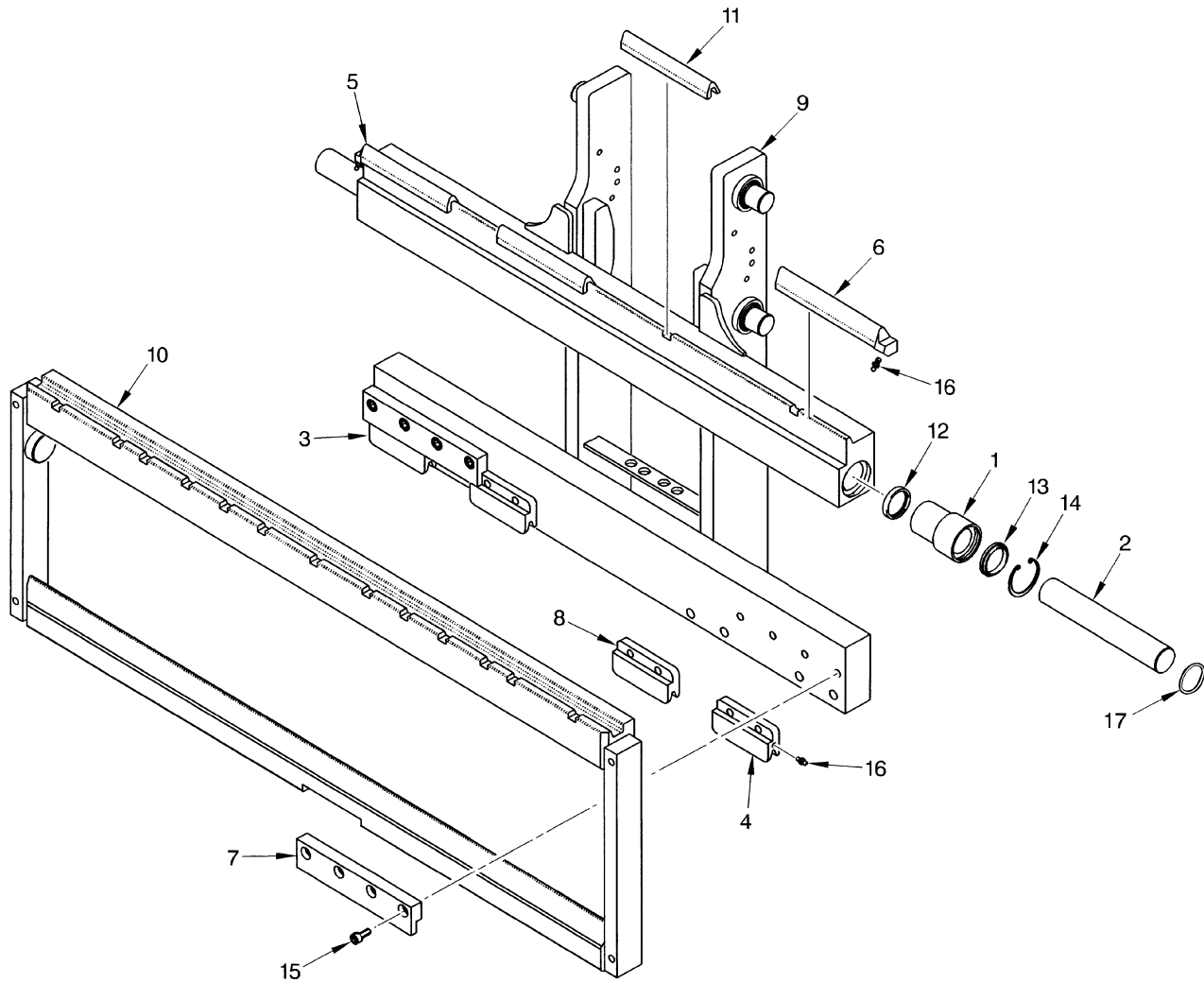


HP000037

INTEGRAL SIDE-SHIFT CARRIAGE
H4.5FTS5 , H4.5FT6, H5.0-5.5FT (1372 MM AND 1524 MM) – TWO STAGE LIMITED FREE-LIFT

ITEM	PART NO.	DESCRIPTION	QTY
	2037945	Side-Shift Carriage (1372 mm)	1
	2037946	Side-Shift Carriage (1524 mm)	1
1	1467204	Bushing	2
2	1467205	Rod	2
3	1467145	Wear Strip (Right Lower)	1
4	1467146	Wear Strip (Left Lower)	1
5	1467147	Wear Strip (Right Upper)	1
6	1467148	Wear Strip (Left Upper)	1
7	1467206	Hook	2
8	1467201	Wear Strip (Central Lower)	2
9	1532638	Apron (1372 mm)	1
9	1532639	Apron (1524 mm)	1
10	1467774	Side Shift Carriage Fixed Frame (1372 mm)	1
10	1467776	Side Shift Carriage Fixed Frame (1524 mm)	1
11	1467200	Wear Strip (Central Upper)	2
12	1622936	Seal	2
13	1467203	Rod Wiper	2
14	1467634	Snap Ring	2
15	1467633	Screw	8
16	16041	Grease Fitting	8
17	39366	O-Ring	2
	2083998	Kit-Seal (Class IV)	1

INTEGRAL SIDE-SHIFT CARRIAGE (FIGURE 14-18) H4.5FTS5, H4.5FT6-H5.0-5.5FT (1372 MM AND 1524 MM) — TWO AND THREE STAGE FULL FREE-LIFT



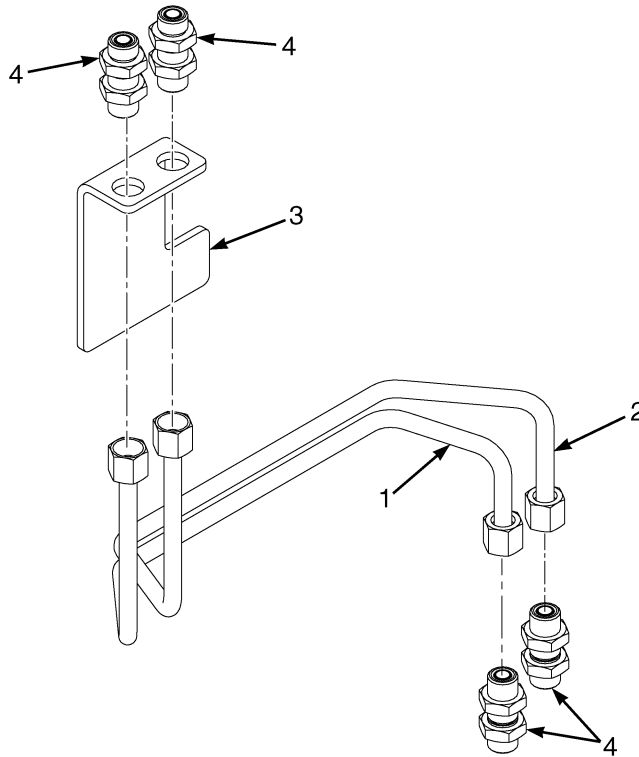
HP000040

INTEGRAL SIDE-SHIFT CARRIAGE**H4.5FTS5, H4.5FT6-H5.0-5.5FT (1372 MM AND 1524 MM) – TWO AND THREE STAGE FULL FREE-LIFT**

ITEM	PART NO.	DESCRIPTION	QTY
	b 2038600		
	4623997	Side-Shift Carriage (1372 mm)	1
	b 2038604		
	4623998	Side-Shift Carriage (1524 mm)	1
	a 2037949		
	4623999	Side-Shift Carriage (1372 mm)	1
	a 2037950		
	4624000	Side-Shift Carriage (1524 mm)	1
1	1467204	Bushing	2
2	1467205	Rod	2
3	1467145	Wear Strip (Right Lower)	1
4	1467146	Wear Strip (Left Lower)	1
5	1467147	Wear Strip (Right Upper)	1
6	1467148	Wear Strip (Left Upper)	1
7	1467206	Hook	2
8	1467201	Wear Strip (Central Lower)	2
9	b 1483334		
	4070452	Frame (1524 mm) (54 inch)	1
9	b 1483333		
	4070451	Frame (1372 mm) (60 inch)	1
9	a 1467773		
	4070454	Frame (1372 mm) (54 inch)	1
9	a 1467775		
	4070453	Frame (1524 mm) (60 inch)	1
10	1532638	Apron (1372 mm)	1
10	1532639	Apron (1524 mm)	1
11	1467200	Wear Strip (Central Upper)	2
12	1622936	Seal	2
13	1467203	Rod Wiper	2
14	1467634	Snap Ring	2
15	1467633	Screw	8
16	16041	Grease Fitting	8
17	39366	O-Ring	2
18	2083998	Kit-Seal (Class IV)	1

FOOTNOTES:**a** Three Stage Full Free-Lift**b** Two Stage Full Free-Lift

HEADER HOSE AUXILIARY TUBE EXTENSIONS (FIGURE 14-19) TWO STAGE LIMITED FREE-LIFT — INTEGRAL SIDE-SHIFT CARRIAGE WITHOUT QUICK DISCONNECTS



BP000712

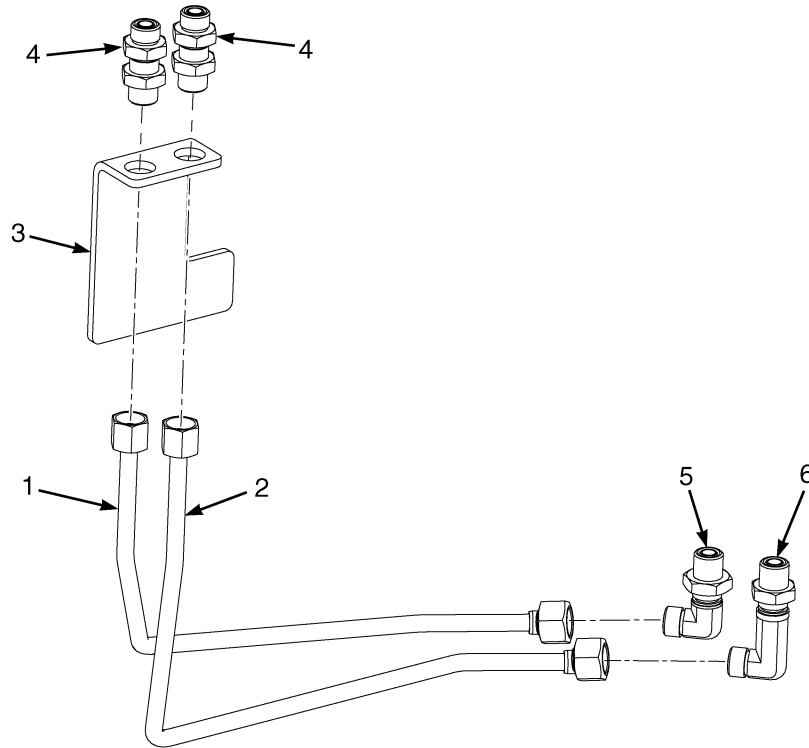
KEY:

A: H4.0FT5, H4.0FT6, H4.5FTS5 — Four Function

B: H4.5FT6, H5.0-5.5FT — Four Function

ITEM	PART NO.	DESCRIPTION	QTY	
			A	B
1	2093187	Tube Assy	1	..
1	2093189	Tube Assy	1
2	2093188	Tube Assy	1	..
2	2093190	Tube Assy	1
3	1647864	Bracket	1	1
4	816591	Fitting	4	4
4	816593	Locknut	1	1
4	265731	O-Ring	2	2

**HEADER HOSE AUXILIARY TUBE EXTENSIONS (FIGURE 14-20)
TWO STAGE FULL FREE- LIFT — INTEGRAL SIDE-SHIFT CARRIAGE WITHOUT QUICK DISCONNECTS**



BP000711

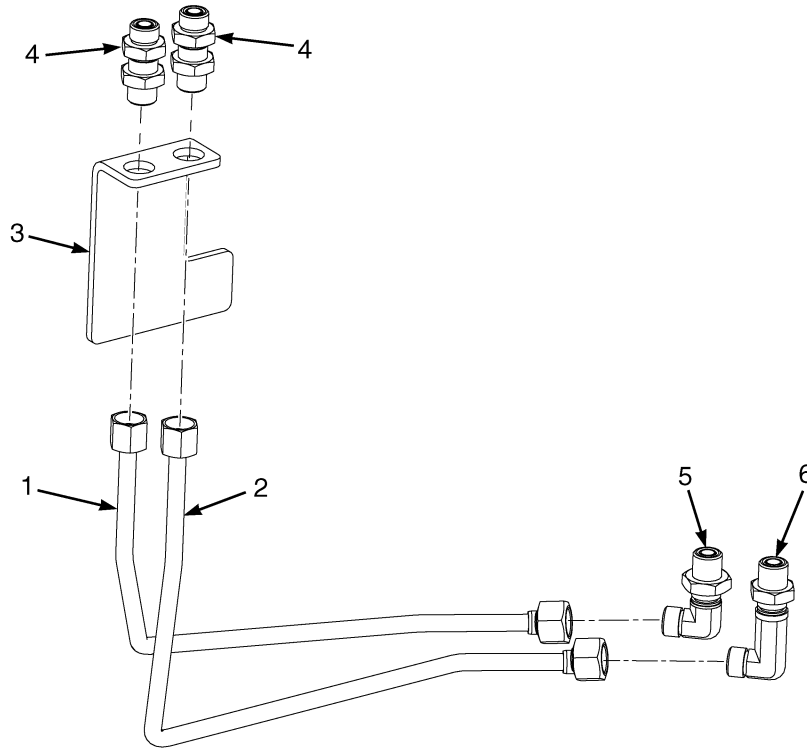
KEY:

A: H4.0FT5, H4.0FT6, H4.5FTS5 — Four Function

B: H4.5FT6, H5.0-5.5FT — Four Function

ITEM	PART NO.	DESCRIPTION	QTY	
			A	B
1	2093661	Tube Assy	1	..
1	2093663	Tube Assy	1
2	2093662	Tube Assy	1	..
2	2093664	Tube Assy	1
3	1647864	Bracket	1	1
4	816591	Fitting	2	2
4	265731	O-Ring	2	2
4	816593	Locknut	1	1
5	1528580	Fitting	1	1
5	265731	O-Ring	2	2
5	816593	Locknut	1	1
6	1550425	Fitting	1	1
6	265731	O-Ring	2	2
6	816593	Locknut	1	1

HEADER HOSE AUXILIARY TUBE EXTENSIONS (FIGURE 14-21) THREE STAGE FULL FREE- LIFT — INTEGRAL SIDE-SHIFT CARRIAGE WITHOUT QUICK DISCONNECTS



BP000711

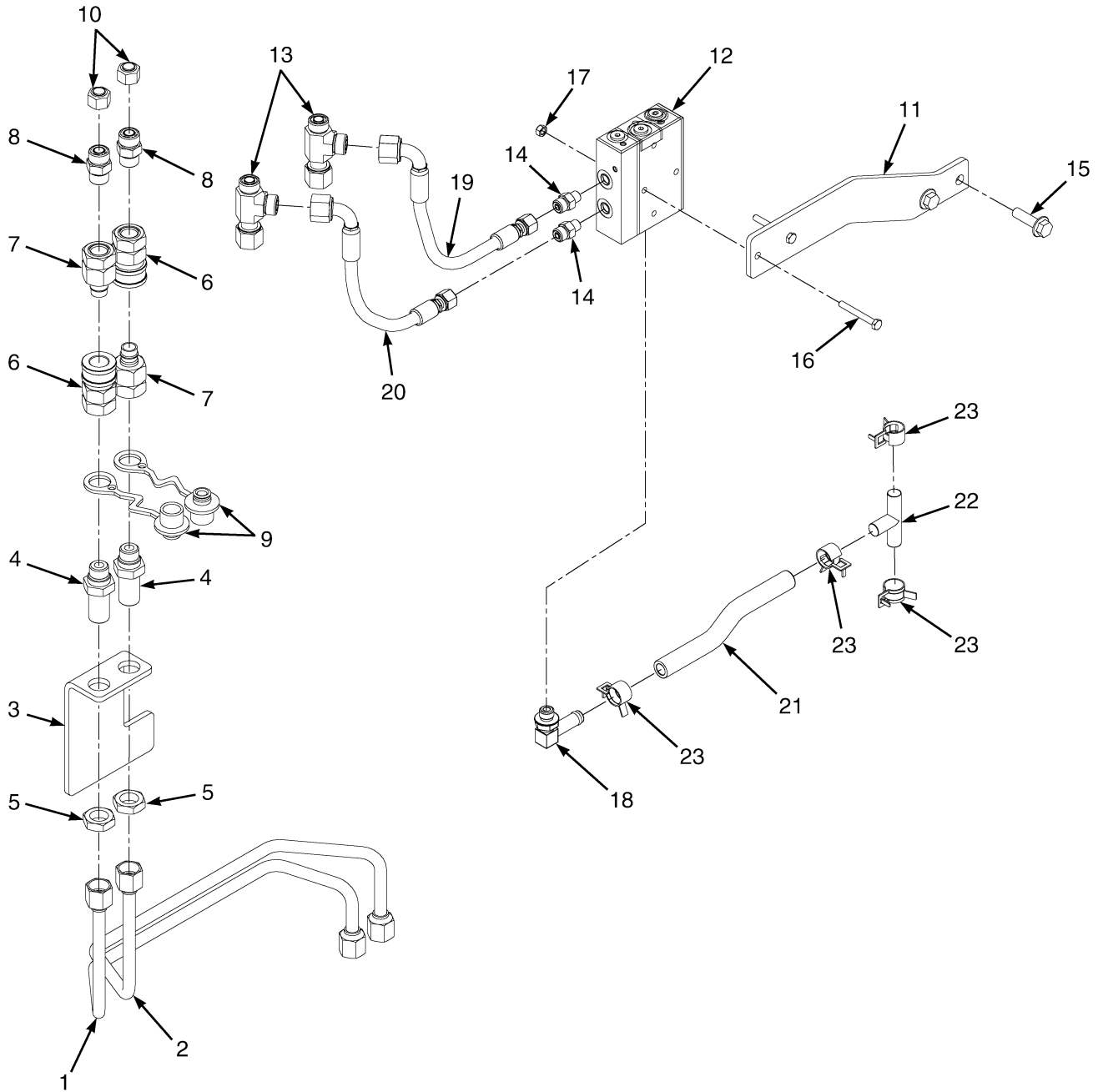
KEY:

A: H4.0FT5, H4.0FT6, H4.5FTS5 — Four Function

B: H4.5FT6, H5.0-5.5FT — Four Function

ITEM	PART NO.	DESCRIPTION	QTY	
			A	B
1	2093677	Tube Assy	1	..
1	2093663	Tube Assy	1
2	2093678	Tube Assy	1	..
2	2093664	Tube Assy	1
3	1647864	Bracket	1	1
4	816591	Fitting	2	2
4	265731	O-Ring	2	2
4	816593	Locknut	1	1
5	1528580	Fitting	1	1
5	265731	O-Ring	2	2
5	816593	Locknut	1	1
6	1550425	Fitting	1	1
6	265731	O-Ring	2	2
6	816593	Locknut	1	1

HEADER HOSE AUXILIARY TUBE EXTENSIONS WITH QUICK DISCONNECTS (FIGURE 14-22) TWO STAGE LIMITED FREE-LIFT — INTEGRAL SIDE-SHIFT CARRIAGE



BP000703

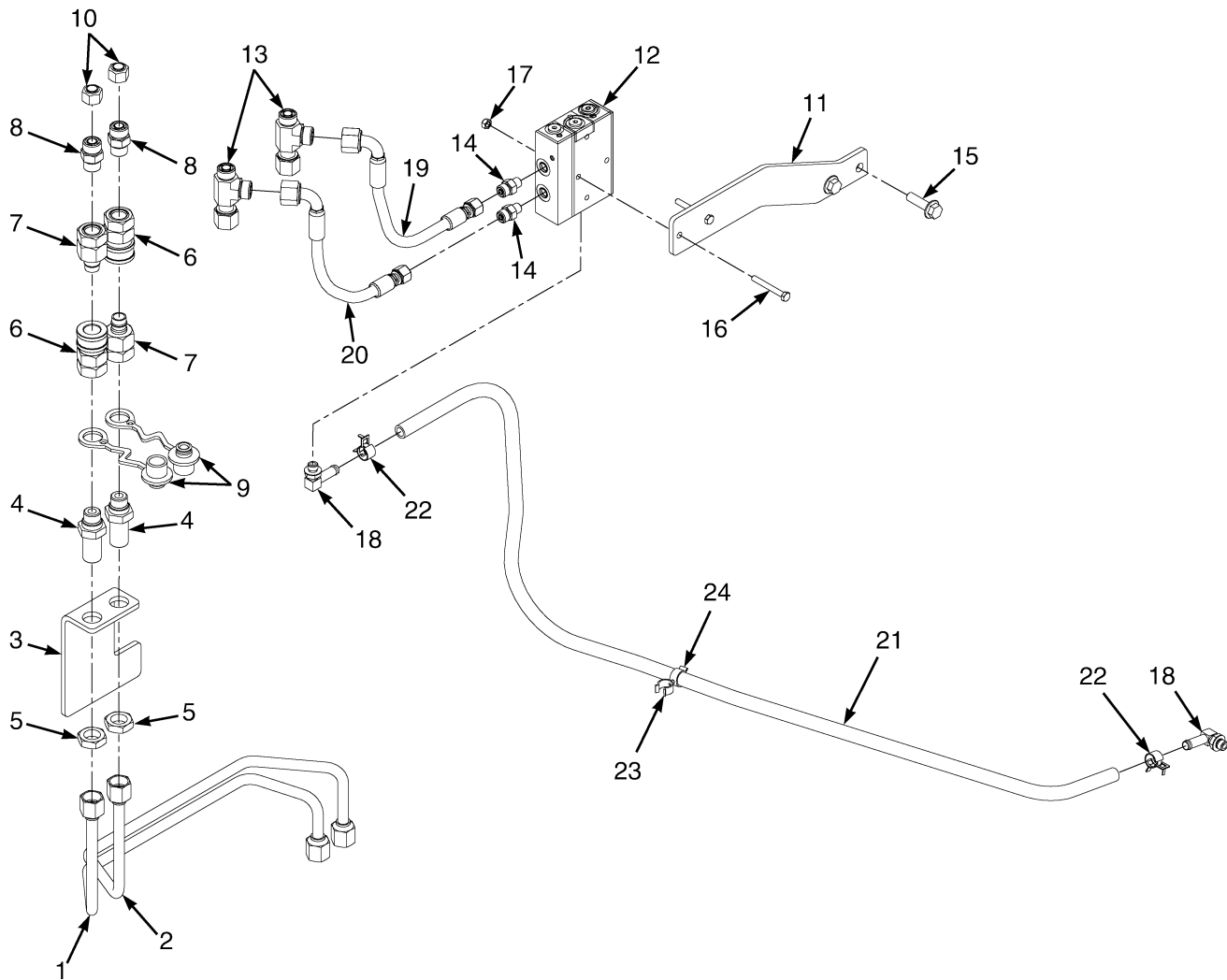
HEADER HOSE AUXILIARY TUBE EXTENSIONS WITH QUICK DISCONNECTS TWO STAGE LIMITED FREE-LIFT – INTEGRAL SIDE-SHIFT CARRIAGE

KEY:**A:** H4.0FT5, H4.0FT6, H4.5FTS5 — Four Function**B:** H4.5FT6, H5.0-5.5FT — Four Function

ITEM	PART NO.	DESCRIPTION	QTY	
			A	B
1	2093187	Tube Assy	1	..
1	2093189	Tube Assy	1
2	2093188	Tube Assy	1	..
2	2093190	Tube Assy	1
3	1647864	Bracket	1	1
4	1708365	Bulkhead	2	2
5	816593	Locknut	2	2
6	1377953	Quick Disconnect Fitting	2	2
7	1377954	Fitting	2	2
8	1473887	Fitting	2	2
8	265731	O-Ring	1	1
8	16484	O-Ring	1	1
9	1708368	Dust Cover	2	2
10	1529016	Fitting	2	2
11	a 1708373	Bracket	1	1
12	a 2111754	Valve	1	1
12	a 4010971	Check Valve	2	2
12	a 4010972	Valve	1	1
13	a 1487095	Fitting	2	2
13	a 265731	O-Ring	2	2
14	a 1486737	Fitting	2	2
14	a 1527813	O-Ring	1	1
14	a 16481	O-Ring	1	1
15	a 1527885	Capscrew	2	2
16	a 292505	Capscrew	2	2
17	a 302399	Nut	2	2
18	a 110178	Fitting	1	1
18	a 16483	O-Ring	1	1
19	a 4604566	Hose Assy	1	1
20	a 4604567	Hose Assy	1	1
21	a 1614069	Hose	1	1
22	a 2046871	Fitting	1	1
23	a 1527979	Hose Clamp	4	4

FOOTNOTES:**a** Electronic Hydraulic Control Only

HEADER HOSE AUXILIARY TUBE EXTENSIONS WITH QUICK DISCONNECTS (FIGURE 14-23) TWO STAGE FULL FREE-LIFT — INTEGRAL SIDE-SHIFT CARRIAGE



BP000704

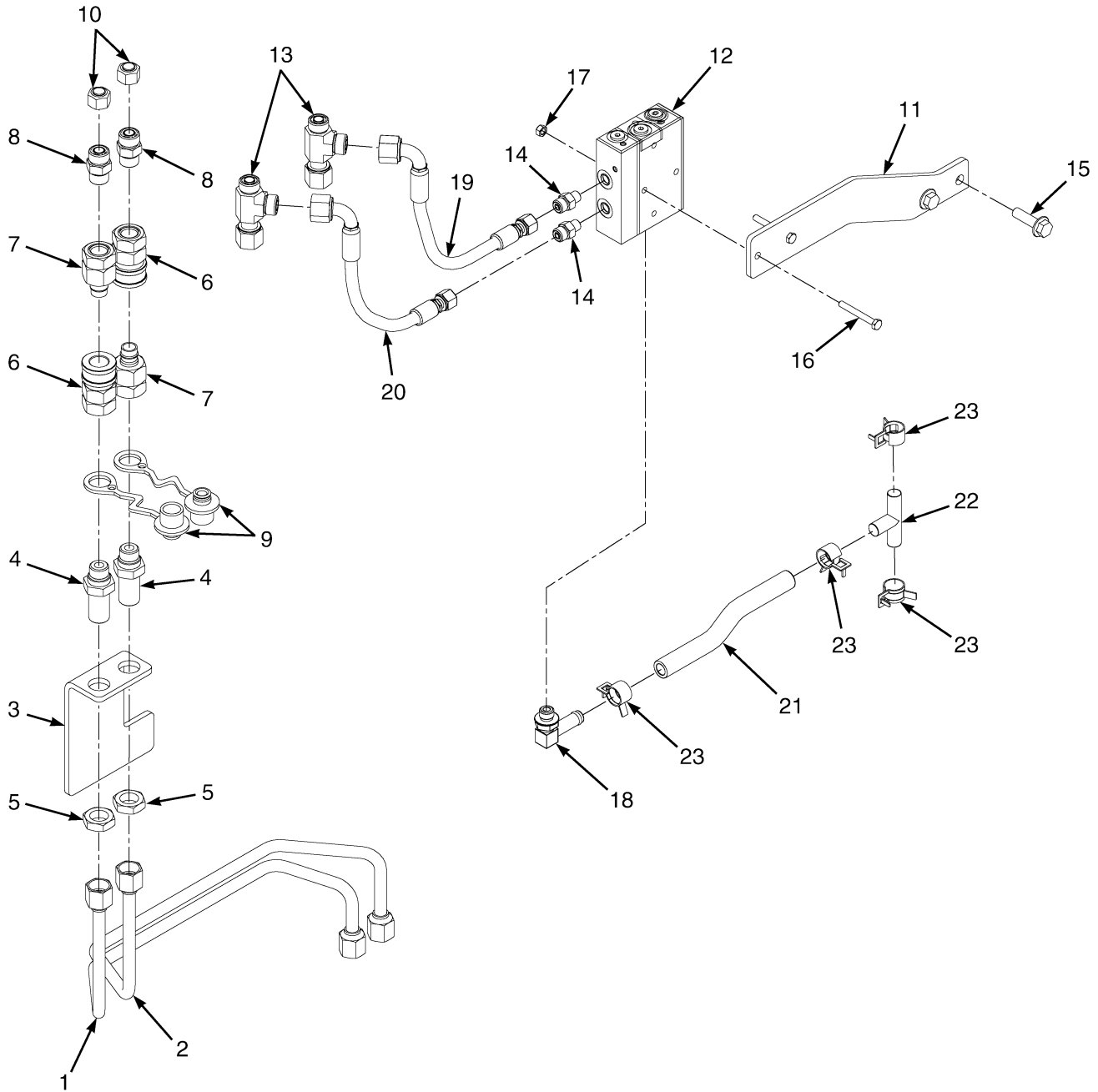
HEADER HOSE AUXILIARY TUBE EXTENSIONS WITH QUICK DISCONNECTS TWO STAGE FULL FREE-LIFT – INTEGRAL SIDE-SHIFT CARRIAGE

KEY:**A:** H4.0FT5, H4.0FT6, H4.5FTS5 — Four Function**B:** H4.5FT6, H5.0-5.5FT — Four Function

ITEM	PART NO.	DESCRIPTION	QTY	
			A	B
1	2093661	Tube Assy	1	..
1	2093663	Tube Assy	1
2	2093662	Tube Assy	1	..
2	2093664	Tube Assy	1
3	1647864	Bracket	1	1
4	1708365	Bulkhead	2	2
5	816593	Locknut	2	2
6	1377953	Quick Disconnect Fitting	2	2
7	1377954	Fitting	2	2
8	1473887	Fitting	2	2
8	265731	O-Ring	1	1
8	16484	O-Ring	1	1
9	1708368	Dust Cover	2	2
10	1529016	Fitting	2	2
11	a 1708373	Bracket	1	1
12	a 2111754	Valve	1	1
12	a 4010971	Check Valve	2	2
12	a 4010972	Valve	1	1
13	a 1487095	Fitting	2	2
13	a 265731	O-Ring	2	2
14	a 1486737	Fitting	2	2
14	a 1527813	O-Ring	1	1
14	a 16481	O-Ring	1	1
15	a 1527885	Capscrew	2	2
16	a 292505	Capscrew	2	2
17	a 302399	Nut	2	2
18	a 110178	Fitting	2	2
18	a 16483	O-Ring	1	1
19	a 4604566	Hose Assy	1	1
20	a 4604567	Hose Assy	1	1
21	a 1399093	Hose Assy	1	1
22	a 1527979	Hose Clamp	2	2
23	a 1502059	Clamp (Swivel)	1	1
24	a 1502066	Clamp (Swivel)	1	1

FOOTNOTES:**a** Electronic Hydraulic Control Only

HEADER HOSE AUXILIARY TUBE EXTENSIONS WITH QUICK DISCONNECTS (FIGURE 14-24) THREE STAGE FULL FREE-LIFT — INTEGRAL SIDE-SHIFT CARRIAGE



BP000703

**HEADER HOSE AUXILIARY TUBE EXTENSIONS WITH QUICK DISCONNECTS
THREE STAGE FULL FREE-LIFT – INTEGRAL SIDE-SHIFT CARRIAGE**

KEY:**A: H4.0FT5, H4.0FT6, H4.5FTS5 — Four Function****B: H4.5FT6, H5.0-5.5FT — Four Function**

ITEM	PART NO.	DESCRIPTION	QTY	
			A	B
1	2093677	Tube Assy	1	..
1	2093663	Tube Assy	1
2	2093678	Tube Assy	1	..
2	2093664	Tube Assy	1
3	1647864	Bracket	1	1
4	1708365	Bulkhead	2	2
5	816593	Locknut	2	2
6	1377953	Quick Disconnect Fitting	2	2
7	1377954	Fitting	2	2
8	1473887	Fitting	2	2
8	265731	O-Ring	1	1
8	16484	O-Ring	1	1
9	1708368	Dust Cover	2	2
10	1529016	Fitting	2	2
11	a 1708373	Bracket	1	1
12	a 2111754	Valve	1	1
12	a 4010971	Check Valve	2	2
12	a 4010972	Valve	1	1
13	a 1487095	Fitting	2	2
13	a 265731	O-Ring	2	2
14	a 1486737	Fitting	2	2
14	a 1527813	O-Ring	1	1
14	a 16481	O-Ring	1	1
15	a 1527885	Capscrew	2	2
16	a 292505	Capscrew	2	2
17	a 302399	Nut	2	2
18	a 110178	Fitting	1	1
18	a 16483	O-Ring	1	1
19	a 4604569	Hose Assy	1	1
20	a 4604566	Hose Assy	1	1
21	a 1614069	Hose	1	1
22	a 2046871	Fitting	1	1
23	a 1527979	Hose Clamp	4	4

FOOTNOTES:**a** Electronic Hydraulic Control Only

SECTION 15 FIELD CONVERSION KITS

DESCRIPTION	PAGE
ADD ON OPTION KITS	
BOLT ON WEATHER PROTECTION - JUNE 2014 FORWARD =>	15-3
ADD ON OPTIONS	
AUXILIARY EXT. TUBES AND QUICK DISCONNECTS	15-10
LIGHTS	15-3
WEATHER PROTECT - => UP TO JUNE 2014	15-3
ADD ON TELEMETRY KITS	15-11
CONVERSION KIT	
ELECTRONIC HYDRAULIC CONTROLS	15-2
MANUAL CONTROL LEVERS	15-3
SWIVEL SEATS	15-2
WIDE TREAD AND DUAL WHEEL	15-2
HOSE GROUPS	
THREE STAGE FULL FREE-LIFT	15-8
TWO STAGE FULL FREE-LIFT	15-7
TWO STAGE LIMITED FREE-LIFT	15-5
MISCELLANEOUS CONVERSION KITS	15-11

**CONVERSION KIT
WIDE TREAD AND DUAL WHEEL**

DESCRIPTION	PART NUMBER
Kit-Wide Tread Does not include Tires (250 x 15 Pneumatic or 250/70 R15 Pneumatic Radial) (4.0-4.5 @500)	1622903
Kit-Wide Tread Does not include Tires (250 x 15 SIT Solid) (4.0-4.5 @500)	1622904
Kit-Wide Tread Does not include Tires (300 x 15 Pneumatic or 300/70 R15 Pneumatic Radial) (4.0-5.5 @600)	1622905
Kit-Wide Tread Does not include Tires (300 x 15 SIT Solid) (4.0-5.5 @600)	1622907
Kit-Dual Drive Wheels Does not include Tires (7.00 R15 Pneumatic Radial) (4.0-4.5 @500)	1623084
Kit-Dual Drive Wheels Does not include Tires (7.00 x 15 SIT Solid) (4.0-4.5 @500)	1623085
Kit-Dual Drive Wheels Does not include Tires (8.25 R15 Pneumatic Radial) (4.5-5.5 @600 with Wet Brakes)	1623088
Kit-Dual Drive Wheels Does not include Tires (8.25 x 15 SIT Solid) (4.5-5.5 @600 with Wet Brakes)	1623089

**CONVERSION KIT
SWIVEL SEATS**

DESCRIPTION	PART NUMBER
Kit-Seat-Full Susp Swivel (Vinyl w/o E-HYD CTRL)	a1587560
Kit-Seat-Full Susp Swivel (Cloth w/o E-HYD CTRL)	a1587561
Kit-Seat-Full Susp Swivel (Vinyl w/ E-HYD CTRL)	1622626
Kit-Seat-Full Susp Swivel (Cloth w/ E-HYD CTRL)	1622627

FOOTNOTES:

a Not compatible with Low Overhead Guard

**CONVERSION KIT
ELECTRONIC HYDRAULIC CONTROLS**

DESCRIPTION	PART NUMBER
Kit-Mini Lever Conv 3 Way (Without Lockout to with Lockout)	a1701683
Kit-Mini Lever Conv 3 Way (With Lockout to without Lockout)	a1701682
Kit-Mini Lever Conv 3 Way (w/o clamp to 4 way w/o clamp)	a4014410
Kit-Mini Lever Conv 3 Way (w/o clamp to 4 way with clamp)	a4014411
Kit-Mini Lever Conv 4 Way (With Lockout to without Lockout)	a1701684
Kit-Mini Lever Conv 4 Way (Without Lockout to with Lockout)	a1701685
Kit-Mini Lever Conv 3 Way (w/o clamp to 4 way w/o clamp)	ab4035267
Kit-Mini Lever Conv 3 Way (w/o clamp to 4 way with clamp)	ab4035268
Kit Return to Set Tilt	4074590

FOOTNOTES:

- a** Kit requires software that must be dealer installed
- b** With Variable Displacement Pump

**CONVERSION KIT
MANUAL CONTROL LEVERS**

DESCRIPTION	PART NUMBER
Kit-Manual Lever Conv 3 Way (w/o Clamp to 3 Way w/Clamp)	1677913
Kit-Manual Lever Conv 3 Way (w/o clamp to 4 way w/o clamp)	1701050
Kit-Manual Lever Conv 3 Way (w/o clamp to 4 way with clamp)	1702380

**ADD ON OPTIONS
LIGHTS**

DESCRIPTION	PART NUMBER
Kit-Light (Flash Tube Strobe with Other Lights and Overhead Guard, w/o Harness)	1583710
Kit-Strobe Light (Amber Flash Tube Strobe Light for Cab)	1625728
Kit-Strobe Light (Amber LED Strobe Light for Cab)	1655298
Kit-Light (LED Strobe with other lights for Overhead Guard, w/o Harness)	1655205

**ADD ON OPTIONS
WEATHER PROTECT
=> UP TO JUNE 2014**

DESCRIPTION	PART NUMBER
Kit-Front Screen W Wiper (For Tall Overhead Guard)	1647757
Kit-Heater	1659012
Kit-Top Screen	1647758
Kit-Rear Screen	1650491
Kit-Door (PVC)	1650492

**ADD ON OPTION KITS
BOLT ON WEATHER PROTECTION
JUNE 2014 FORWARD =>**

DESCRIPTION	PART NUMBER
Kit-Front Screen With Wipers	a 4092603
Kit-Top Screen	a 4092600
Kit-Rear Screen Steel/Glass For High Overhead Guard with Jumper Harness	a 4119706
Kit-Door (PVC RH and LH For High Overhead Guard)	a 4092602
Kit-Heater	4100256

FOOTNOTES:

a For Service Parts See Bolt On Cab in Frame Section

ADD ON OPTION KITS

DESCRIPTION	PART NUMBER
Keyswitch without Operator I.D. to Push Button Start with Operator I.D.	a 1623184
Kit-Push-Button to Keyswitch	a 1624518
Kit (Load Weigh Display) (Use with E-Hydraulics Only)	a 1622580
Kit-Back-Up Alarm (82-102 DB(A))	1626371
Kit-Powertrain Protection (English — Non US)	a 1585855
Kit-Powertrain Protection (French Language)	a 1585859
Kit-Powertrain Protection (German Language)	a 1585860
Kit-Powertrain Protection (Italian Language)	a 1585861
Kit-Powertrain Protection (Spanish Language)	a 1585864
Traction Speed Limit Kit	a 1581970
Kit-Impact Monitoring (With Immediate Shutdown)	a 1629135
Kit-Impact Monitoring (With 30 Second Shutdown)	a 1637768
Kit (Lifting Eye)	1634340
Kit-Service (GM LPG regulator Drain GM2.4L and 4.32)	1664940
Kit-Electronic Monitoring (For use with GM Engine)	a 1629208
Kit-Air Intake W Pre-Cleaner	1682761
Kit (Radiator Screen)	1695751
Kit-Sensor (Low LPG Fuel) (GM GFI engine)	a 4007653
Kit-Conversion VDP Cold Ambient Fluid	4054615
Kit-Conversion VDP Hot Ambient Fluid	4054616

FOOTNOTES:

a Kit requires software that must be dealer installed.

**HOSE GROUPS
TWO STAGE LIMITED FREE-LIFT****TWO TO FOUR FUNCTION**

DESCRIPTION	LIFT HEIGHT TO BOTTOM OF FORKS			
	2740 mm (107.9 in.)	3000 mm (118.1 in.)	3340 mm (131.5 in.)	3600 mm (141.7 in.)
Mast Group Number	B750 2740	B749 3000	B750 3340	B749 3600
Kit-Hose Group 2 to 4 Way	1635134	1635134	1635136	1635136

TWO TO FOUR FUNCTION

DESCRIPTION	LIFT HEIGHT TO BOTTOM OF FORKS			
	3940 mm (155.1 in.)	4200 mm (165.4 in.)	4640 mm (182.7 in.)	4900 mm (192.9 in.)
Mast Group Number	B750 3940	B749 4200	B750 4640	B749 4900
Kit-Hose Group 2 to 4 Way	1635138	1635138	1635140	1635140

TWO TO FOUR FUNCTION

DESCRIPTION	LIFT HEIGHT TO BOTTOM OF FORKS			
	5240 mm (206.3 in.)	5500 mm (216.5 in.)	5840 mm (229.9 in.)	6100 mm (240.2 in.)
Mast Group Number	B750 5240	B749 5500	B750 5840	B749 6100
Kit-Hose Group 2 to 4 Way	1635142	1635142	1635144	1635144

TWO TO THREE AND THREE TO FOUR FUNCTION

DESCRIPTION	LIFT HEIGHT TO BOTTOM OF FORKS			
	2740 mm (107.9 in.)	3000 mm (118.1 in.)	3340 mm (131.5 in.)	3600 mm (141.7 in.)
Mast Group Number	B750 2740	B749 3000	B750 3340	B749 3600
Kit-Hose Group 2 to 3 Way and 3 to 4 Way	1635133	1635133	1635135	1635135

TWO TO THREE AND THREE TO FOUR FUNCTION

DESCRIPTION	LIFT HEIGHT TO BOTTOM OF FORKS			
	3940 mm (155.1 in.)	4200 mm (165.4 in.)	4640 mm (182.7 in.)	4900 mm (192.9 in.)
Mast Group Number	B750 3940	B749 4200	B750 4640	B749 4900
Kit-Hose Group 2 to 3 Way and 3 to 4 Way	1635137	1635137	1635139	1635139

TWO TO THREE AND THREE TO FOUR FUNCTION

DESCRIPTION	LIFT HEIGHT TO BOTTOM OF FORKS			
	5240 mm (206.3 in.)	5500 mm (216.5 in.)	5840 mm (229.9 in.)	6100 mm (240.2 in.)
Mast Group Number	B750 5240	B749 5500	B750 5840	B749 6100
Kit-Hose Group 2 to 3 Way and 3 to 4 Way	1635141	1635141	1635143	1635143

HOSE GROUPS
TWO STAGE FULL FREE-LIFT
THREE TO FOUR FUNCTION

DESCRIPTION	LIFT HEIGHT TO BOTTOM OF FORKS			
	2765 mm (108.9 in.)	3025 mm (119.1 in.)	3365 mm (132.5 in.)	3625 mm (142.7 in.)
Mast Group Number	B754 2765	B753 3025	B754 3365	B753 3625
Kit-Hose Group 3 to 4 Way	1635125	1635119	1635128	1635122

TWO TO FOUR FUNCTION

DESCRIPTION	LIFT HEIGHT TO BOTTOM OF FORKS			
	2765 mm (108.9 in.)	3025 mm (119.1 in.)	3365 mm (132.5 in.)	3625 mm (142.7 in.)
Mast Group Number	B754 2765	B753 3025	B754 3365	B753 3625
Kit-Hose Group 2 to 4 Way	1635126	1635120	1635129	1635123

TWO TO THREE FUNCTION

DESCRIPTION	LIFT HEIGHT TO BOTTOM OF FORKS			
	2765 mm (108.9 in.)	3025 mm (119.1 in.)	3365 mm (132.5 in.)	3625 mm (142.7 in.)
Mast Group Number	B754 2765	B753 3025	B754 3365	B753 3625
Kit-Hose Group 2 to 3 Way	1635124	1635118	1635127	1635121

HOSE GROUPS THREE STAGE FULL FREE-LIFT

THREE TO FOUR FUNCTION

DESCRIPTION	LIFT HEIGHT TO BOTTOM OF FORKS				
	4087 mm (160.9 in.)	4365 mm (171.9 in.)	4387 mm (172.7 in.)	4640 mm (182.7 in.)	4665 mm (183.7 in.)
Mast Group Number	B752 4087	B751 4365	B752 4387	B752 4640	B751 4665
Kit-Hose Group 3 to 4 Way	1635541	1635523	1635544	1635547	1635526

THREE TO FOUR FUNCTION

DESCRIPTION	LIFT HEIGHT TO BOTTOM OF FORKS				
	4900 mm (192.9 in.)	4940 mm (194.5 in.)	5200 mm (204.7 in.)	5240 mm (206.3 in.)	5500 mm (216.5 in.)
Mast Group Number	B751 4900	B752 4940	B751 5200	B752 5240	B751 5500
Kit-Hose Group 3 to 4 Way	1635529	1635550	1635532	1635553	1635535

THREE TO FOUR FUNCTION

DESCRIPTION	LIFT HEIGHT TO BOTTOM OF FORKS
Mast Group Number	B751 5950
Kit-Hose Group 3 to 4 Way	1635538

TWO TO FOUR FUNCTION

DESCRIPTION	LIFT HEIGHT TO BOTTOM OF FORKS				
	4087 mm (160.9 in.)	4365 mm (171.9 in.)	4387 mm (172.7 in.)	4640 mm (182.7 in.)	4665 mm (183.7 in.)
Mast Group Number	B752 4087	B751 4365	B752 4387	B752 4640	B751 4665
Kit-Hose Group 2 to 4 Way	1635542	1635524	1635545	1635548	1635527

TWO TO FOUR FUNCTION

DESCRIPTION	LIFT HEIGHT TO BOTTOM OF FORKS				
	4900 mm (192.9 in.)	4940 mm (194.5 in.)	5200 mm (204.7 in.)	5240 mm (206.3 in.)	5500 mm (216.5 in.)
Mast Group Number	B751 4900	B752 4940	B751 5200	B752 5240	B751 5500
Kit-Hose Group 2 to 4 Way	1635530	1635551	1635533	1635554	1635536

TWO TO FOUR FUNCTION

DESCRIPTION	LIFT HEIGHT TO BOTTOM OF FORKS
	5950 mm (234.3 in.)
Mast Group Number	B751 5950
Kit-Hose Group 2 to 4 Way	1635539

TWO TO THREE FUNCTION

DESCRIPTION	LIFT HEIGHT TO BOTTOM OF FORKS				
	4087 mm (160.9 in.)	4365 mm (171.9 in.)	4387 mm (172.7 in.)	4640 mm (182.7 in.)	4665 mm (183.7 in.)
Mast Group Number	B752 4087	B751 4365	B752 4387	B752 4640	B751 4665
Kit-Hose Group 2 to 3 Way	1635540	1635522	1635543	1635546	1635525

TWO TO THREE FUNCTION

DESCRIPTION	LIFT HEIGHT TO BOTTOM OF FORKS				
	4900 mm (192.9 in.)	4940 mm (194.5 in.)	5200 mm (204.7 in.)	5240 mm (206.3 in.)	5500 mm (216.5 in.)
Mast Group Number	B751 4900	B752 4940	B751 5200	B752 5240	B751 5500
Kit-Hose Group 2 to 3 Way	1635528	1635549	1635531	1635552	1635534

TWO TO THREE FUNCTION

DESCRIPTION	LIFT HEIGHT TO BOTTOM OF FORKS
	5950 mm (234.3 in.)
Mast Group Number	B751 5950
Kit-Hose Group 2 to 3 Way	1635537

ADD ON OPTIONS AUXILIARY EXT. TUBES AND QUICK DISCONNECTS

DESCRIPTION	PART NUMBER
Kit-Quick Disconnect Fitting	1650605
Kit (E-Hydraulic QD Fittings, Single Aux 3 Fun 2 Stage LFL and 3 Stage FFL)	4010077
Kit (E-Hydraulic QD Fittings, Dual Aux 3rd and 4th Fun, 2 Stage LFL)	4006954
Kit (E-Hydraulic QD Fittings, Single Aux 4 Fun 2 Stage LFL with Integral Sideshift)	4010095
Kit (E-Hydraulic QD Fittings, Dual Aux 3 and 4 Fun 3 Stage FFL)	4008805
Kit (E-Hydraulic QD Fittings, Single Aux 3 Stage FFL with Integral Sideshift)	4010582
Kit (E-Hydraulic QD Fittings, Single Aux 3 Fun 2 Stage FFL)	4010923
Kit (E-Hydraulic QD Fittings, Dual Aux 3 and 4 Fun 2 Stage FFL)	4010924
Kit (E-Hydraulic QD Fittings, Single Aux 4th Fun 2 Stage FFL with Integral Sideshift)	4010925
Kit-Aux Tube Extension (3 Function, Class III Std Carriage, 2 Stg LFL)	1653366
Kit-Aux Tube Extension (4 Function, Class III Std Carriage, 2 Stg LFL)	1653367
Kit-Aux Tube Extension (3 Function, Class IV, Std Carriage, 2 Stg LFL)	1653368
Kit-Aux Tube Extension (4 Function, Class IV, Std Carriage, 2 Stg LFL)	1653369
Kit-Aux Tube Extension (3 Function, Class III Integral Side-Shift Carriage, 2 Stg LFL)	1653370
Kit-Aux Tube Extension (4 Function, Class III Integral Side-Shift Carriage, 2 Stg LFL)	1653371
Kit-Aux Tube Extension (3 Function, Class IV, Integral Side-Shift Carriage, 2 Stg LFL)	1653372
Kit-Aux Tube Extension (4 Function, Class IV, Integral Side-Shift Carriage, 2 Stg LFL)	1653373
Kit-Aux Tube Extension (3 Function, Class III, Attachment Carriage, 2 LFL)	1653374
Kit-Aux Tube Extension (4 Function, Class III, Attachment Carriage, 2 LFL)	1653375
Kit-Aux Tube Extension (3 Function, Class III Std Carriage, 2 Stg FFL)	1653620
Kit-Aux Tube Extension (4 Function, Class III Std Carriage, 2 Stg FFL)	1653621
Kit-Aux Tube Extension (3 Function, Class IV, Std Carriage, 2 Stg FFL)	1653622
Kit-Aux Tube Extension (4 Function, Class IV Std Carriage, 2 Stg FFL)	1653623
Kit-Aux Tube Extension (3 Function, Class III Integral Side-Shift Carriage, 2 Stg FFL)	1653624
Kit-Aux Tube Extension (4 Function, Class III Integral Side-Shift Carriage, 2 Stg FFL)	1653625
Kit-Aux Tube Extension (3 Function, Class IV, Integral Side-Shift Carriage, 2 Stg FFL)	1653626
Kit-Aux Tube Extension (4 Function, Class IV, Integral Side-Shift Carriage, 2 Stg FFL)	1653627
Kit-Aux Tube Extension (3 Function, Class III, Attachment Carriage, 2 Stg FFL)	1653628

**ADD ON OPTIONS
AUXILIARY EXT. TUBES AND QUICK DISCONNECTS
(CONTINUED)**

DESCRIPTION	PART NUMBER
Kit-Aux Tube Extension (4 Function, Class III, Attachment Carriage, 2 Stg FFL)	1653629
Kit-Aux Tube Extension (4 Function, Class III Std Carriage, 3 Stg FFL)	1652136
Kit-Aux Tube Extension (3 Function, Class III Std Carriage, 3 Stg FFL)	1652135
Kit-Aux Tube Extension (3 Function, Class IV, Std Carriage, 3 Stg FFL)	1652137
Kit-Aux Tube Extension (4 Function, Class IV Std Carriage, 3 Stg FFL)	1652138
Kit-Aux Tube Extension (3 Function, Class III Integral Side-Shift Carriage, 3 Stg FFL)	1652139
Kit-Aux Tube Extension (4 Function, Class III Integral Side-Shift Carriage, 3 Stg FFL)	1651306
Kit-Aux Tube Extension (3 Function, Class IV, Integral Side-Shift Carriage, 3 Stg FFL)	1652141
Kit-Aux Tube Extension (4 Function, Class IV, Integral Side-Shift Carriage, 3 Stg FFL)	1652142
Kit-Aux Tube Extension (3 Function, Class III Attachment Carriage, 3 Stg FFL)	1652143
Kit-Aux Tube Extension (4 Function, Class III, Attachment Carriage, 3 Stg FFL)	1652144

MISCELLANEOUS CONVERSION KITS

DESCRIPTION	PART NUMBER
Kit-Service (Lock-Out Rod 50 DIA Rods)	1665701
Kit-Service (Lock-Out Rod 55 DIA Rods)	1665702
Kit-Fwd/Rev Lever to Monotrol	a 1625467
Kit-Monotrol to Fwd/Rev Lever	a 1583198
Kit-Conversion Ctrl Switch to Monotrol	a 4040531

FOOTNOTES:

a Kit requires software that must be Dealer installed

ADD ON TELEMETRY KITS

DESCRIPTION	PART NUMBER
Telemetry Kit (FM1 W/GSM Cellular)	4075875
Telemetry Kit (FM1 W/WIFI)	4075876
Telemetry Kit (IC-Interlock-Hyster)	4075952
Telemetry Kit (W/ISO Prox Card Reader)	4063836
Telemetry Kit (HID Standard Prox Card Reader)	4063837
Telemetry Kit (W/IClass/MiFare Prox Card Reader)	4063838
Telemetry Kit (Hyster Check List)	4063829

**SECTION 16
NUMERICAL INDEX**

PART NO.	PAGE	ITEM	PART NO.	PAGE	ITEM	PART NO.	PAGE	ITEM	PART NO.	PAGE	ITEM
126	4-51	9		14-19	8	16448	14-19	30		14-19	27
206	9-9	20		14-21	4		14-31	23		14-21	19
	9-11	20		14-29	23	16449	14-21	23		14-21	20
12855	4-11	5		14-31	17	16458	14-29	29		14-29	25
	4-15	8	15224	11-17	11	16480	10-27	14		14-29	26
	4-21	21		13-11	10	16481	9-5	27		14-31	19
12891	11-8	8	15229	8-15	38		9-5	30		14-31	20
	13-7	8	15246	14-14	6		9-11	8		14-41	8
12929	9-9	19	15347	4-38	52		9-11	35		14-43	8
	9-11	19	15879	11-14	9		10-9	4		14-45	8
13957	8-15	11		13-22	8		11-27	17	16485	6-5	2
	8-15	18	15885	12-20	11		11-33	19		6-5	12
	8-15	25		13-26	11		12-35	17		6-5	14
14349	4-21	12	15906	3-15	12		12-41	19		11-4	27
	4-23	3	15917	3-26	5		13-40	17		12-4	40
14358	4-21	7	15931	4-49	12		13-45	19	16486	7-13	11
	4-21	13	16001	10-59	9		14-17	2		9-15	22
14385	2-7	8		11-19	16		14-41	14		9-15	25
	3-5	8		12-28	26		14-43	14		10-3	7
	3-7	24		14-19	14		14-45	14		10-3	25
	3-9	3		14-21	12	16483	7-13	10		12-3	9
14591	10-9	4		14-29	8		7-15	24		13-18	21
14595	7-13	12		14-31	8		9-15	8	16487	9-5	26
	7-15	12	16015	10-59	4		10-57	7		9-11	34
	11-4	24	16041	14-23	16		11-5	35		12-4	39
	12-3	10		14-25	16		11-27	21		12-8	21
	13-18	23		14-27	14		13-17	3		13-14	31
14603	11-4	21		14-33	16		13-40	21		13-26	17
	12-3	9		14-35	16		14-41	18	16682	6-15	12
15055	10-38	2	16078	5-19	16		14-43	18		6-27	11
	10-52	3		5-21	2		14-45	18	16706	10-27	6
15127	1-35	23	16121	4-15	6	16484	6-5	4		10-29	3
15155	12-28	19	16134	4-11	10		7-13	12		10-35	19
	12-31	19		4-15	7		7-15	12		10-37	3
	13-33	11		4-21	9		10-3	4	16708	4-49	13
	13-35	19		4-31	33		10-57	1	16863	4-23	2
	14-19	25		4-33	47		10-57	10		4-31	34
	14-29	19		4-37	47		11-4	22		4-33	43
15222	11-8	13		4-41	33		11-4	24		4-37	43
	11-17	5		4-41	33		11-27	11		4-41	34
	11-19	10		4-43	35		11-33	13		4-43	43
	12-8	16	16143	1-106	4		12-3	10	16865	4-49	9
	12-27	12	16151	2-17	20		12-35	11	16982	11-4	23
	12-31	12		2-19	22		12-41	13		12-3	12
	13-3	12		4-5	21		13-18	20		12-4	12
	13-11	8		4-7	24		13-18	23		13-18	25
	13-13	9		4-21	12		13-40	11	16983	10-3	21
	13-33	14		4-23	3		13-45	13	17223	6-7	3
	13-35	12		5-17	12		14-19	26	17314	4-11	3

NUMERICAL INDEX (continued)

PART NO.	PAGE	ITEM	PART NO.	PAGE	ITEM	PART NO.	PAGE	ITEM	PART NO.	PAGE	ITEM
17350	4-15	9		3-21	7	44310	6-15	15		4-31	36
	4-21		30372	2-21	3		6-27	14		4-33	45
	4-23	10		2-21	17	44542	8-15	42		4-37	45
17664	4-38	49		2-23	3	46629	10-61	7		4-41	24
17758	9-15	25		2-23	21		12-20	11		4-43	45
18462	1-35	19		2-25	3		13-26	11	101809	4-31	5
	1-39	11		2-25	15	49189	7-3	8		4-33	9
	1-47	21		2-27	3	53162	4-49	8		4-37	9
	1-53	9		2-27	19	57664	11-11	9		4-41	5
	1-59	22		2-33	23		13-22	8		4-43	9
18471	1-35	20		2-35	25	58902	12-24	6	104264	11-4	7
	1-39	9	30374	2-21	17		13-29	9		12-4	32
	1-47	18		2-23	21	58903	8-15	20		13-3	6
	1-53	7		2-25	15	58950	7-15	11	104506	11-4	10
	1-59	23		2-27	19	63163	4-11	4		12-4	33
18508	5-34	6	30375	2-29	3		4-15	10		13-3	7
18515	2-21	7		2-31	3	66333	11-19	17		13-7	16
	2-23	7		2-33	3		12-28	25	109453	7-13	27
	2-25	9		2-35	3		14-19	12	110178	10-63	6
	2-27	9	34507	4-31	16		14-21	10		10-64	6
	2-29	19		4-33	19		14-29	6		11-5	35
	2-31	21		4-37	19		14-31	6		11-27	21
	2-33	19		4-41	16	69029	8-15	40		11-33	23
	2-35	21		4-43	19	69392	14-17	3		12-35	21
18518	12-28	18	34811	3-26	3	77441	10-29	6		12-41	23
	12-31	18	39348	13-26	15		10-37	6		13-17	3
	13-33	10	39365	14-23	17		10-46	2		13-40	21
	13-35	18		14-25	17		10-49	3		13-45	23
	14-19	24		14-27	15		10-51	3		14-41	18
	14-29	18	39366	14-33	17	77442	10-27	3		14-43	18
18520	13-33	15		14-35	17		10-29	7		14-45	18
	14-19	9	39678	8-15	8		10-35	16	112385	9-15	7
	14-29	18	39713	8-19	5		10-37	7		9-17	4
18735	1-35	9	39756	7-17	13		10-45	10	112989	4-17	7
	1-39	13	41531	11-8	10		10-46	3	114312	1-36	
	1-47	16		12-8	33		10-49	4		1-39	
18738	1-53	2		13-7	6		10-51	4		1-48	
	1-59	19		13-14	21	77443	10-27	5	115696	4-3	19
18748	10-21	3	43207	6-19	2		10-29	8		4-5	7
18909	10-3	12		6-21	2		10-35	17		4-7	20
	10-7	11		6-31	2		10-37	8		4-17	5
19901	1-31	11		6-33	20		10-46	4	117989	9-3	28
	1-33	16		6-35	2		10-49	5		9-5	31
	1-35	14	43209	6-11	19		10-51	5		9-9	37
	1-39	20		6-15	20	78286	4-5	8		9-11	37
	1-48	29		6-25	24		4-7	8	119236	2-7	22
28584	14-17	4		6-27	20	78456	10-3	5		2-9	9
30019	8-15	35	44306	6-25	22	78561	11-5	41		3-5	22
30076	7-15	4	44307	6-15	22	79981	8-19	7		3-7	7
30147	8-15	32		6-27	22	86229	6-11	2		3-9	17
30289	8-15	36	44309	6-11	23		6-25	10		4-5	12
30370	3-19	2		6-25	30	97999	4-21	4		10-3	15

NUMERICAL INDEX (continued)

PART NO.	PAGE	ITEM	PART NO.	PAGE	ITEM	PART NO.	PAGE	ITEM	PART NO.	PAGE	ITEM
	10-7	14		6-27	32		12-4	34		4-43	17
122400	7-13	19	136687	1-81	16		13-3	9	187129	4-15	21
124359	4-11	27	136692	11-31	8	161273	11-4	12	187388	12-19	7
124603	6-19	17		11-33	8		12-4	35		13-25	7
	6-21	17		12-39	8		13-3	8	188210	6-15	43
	6-31	16		12-41	8	161889	8-21	5		6-27	41
	6-33	16		13-43	8	161890	8-21	4	188479	13-14	36
	6-35	17		13-45	8	162572	3-39	5	188515	10-27	7
126764	11-8	12	136749	7-15	8	164632	12-19	10		10-29	4
	12-8	31		12-24	17		13-25	10		10-35	18
	13-7	7	136985	6-15	14	164639	8-15	31		10-37	4
	13-14	19		6-27	13	165991	4-5	21	188517	10-27	11
126765	11-4	6	137852	5-82	62		4-7	24		10-29	11
	11-8	6	138710	1-106	5	166659	12-11	13	188534	10-52	3
	11-17	9	141331	4-7	1		12-15	13	190380	5-48	5
	11-19	14		4-18	5	166857	4-11	16	190383	5-73	23
	12-4	30	142247	11-5	39		4-15	15	190580	12-20	15
	12-7	11		12-3	6		9-3	27		13-26	15
	12-27	15		13-17	6		9-5	29	190887	12-11	2
	12-31	15	145481	6-15	19		9-9	33		12-15	2
	13-3	4		6-27	18		9-11	36		12-20	16
	13-7	10	146540	14-10	1		9-15	10		13-26	16
	13-11	4	148606	5-63	12	168718	4-11	16	191072	11-8	19
	13-14	33	148611	5-63	13		4-15	15		13-3	13
	13-33	4	148614	5-15	25		9-3	27	191076	11-8	19
	13-35	15		5-15	25		9-5	29	191081	13-3	13
	14-19	3		5-73	27		9-9	33	191085	13-3	13
	14-21	7		5-73	28		9-11	36	191534	4-26	17
	14-29	3		5-75	14	169874	1-35	24	191941	13-33	18
	14-31	3	148615	5-73	24		1-39	10	192306	4-11	2
128263	4-51	20	148789	5-19	17		1-47	20		4-15	11
128408	5-28	6		5-21	2		1-53	11	192424	11-19	19
130845	1-106	3	148792	5-19	3		1-59	26		12-28	28
	1-109	3		5-21	1	170658	1-19	3		12-31	22
	4-21	27	148796	5-21	2		1-21	1		13-35	22
	4-23	17	148798	5-21	1	175861	10-13	8		14-19	17
	4-25	2	148818	5-28	10		10-17	8		14-21	15
	6-3	4	148962	6-15	2	175944	5-138	3		14-29	11
	6-5	3		6-27	2	176453	4-3	11		14-31	11
	6-7	4	153070	5-19	8		4-5	18	192425	11-19	18
131358	12-28	24		5-19	20		4-7	12		12-28	27
	12-31	23	153715	8-15	2	178119	5-13	12		12-31	21
	13-33	22	153716	8-15	4		12-7	4		13-35	21
	13-35	23	153717	8-15	3	178899	2-7	2		14-19	16
	14-29	24	159708	3-29	3		3-5	2		14-21	14
131715	13-7	15	159971	3-33			3-9	2		14-29	10
131716	13-7	14	159977	3-33	14	181899	10-7	31		14-31	10
133696	3-35	28	160653	7-29	3	182342	11-8	19	192429	10-59	8
135657	8-15	17		8-21	4	184451	4-31	14		11-5	32
135658	8-15	16	161003	12-7	8		4-33	17		12-4	41
136681	1-81	3		13-14	24		4-37	17		13-4	21
	6-15	33	161272	11-4	11		4-41	14	193554	10-61	1

NUMERICAL INDEX (continued)

PART NO.	PAGE	ITEM	PART NO.	PAGE	ITEM	PART NO.	PAGE	ITEM	PART NO.	PAGE	ITEM
194607	13-3	13		6-15	27		1-77	16		11-27	16
196196	5-75	16		6-28	46		1-87	9		11-31	9
198518	12-11	12		7-13	10		9-3	11		11-33	13
	12-15	12		7-15	24		9-5	11		11-33	18
199524	7-13	12		10-63	6		9-9	13		12-24	11
	7-15	12		10-64	6		9-11	13		12-24	12
	11-4	24	222444	6-11	7	240072	3-23	6		12-35	11
	12-3	10		6-25	7	241079	10-59	3		12-35	16
199917	10-7	18		7-13	11	244167	12-4	39		12-39	9
	10-61	9	222491	9-5	27		12-8	21		12-39	10
201829	11-14	8		9-11	8	244540	9-9	14		12-39	11
	13-21	6	222501	9-15	8		9-11	14		12-41	13
204128	10-43	2		9-17	9	246108	1-106			12-41	18
	10-45	13	222503	6-3	3		4-21			13-30	24
206749	13-3	13		6-5	2		4-21			13-30	25
209266	4-11	17	222504	6-3	13		4-23			13-40	11
	4-15	17		6-5	14		4-31			13-40	16
210641	10-7	26		6-7	2		4-34			13-43	9
213099	6-12	24	222505	9-15	22		4-38			13-43	10
	6-25	29	222509	9-5	30		4-41			13-43	11
215211	13-7	13		9-11	35		4-43			13-45	13
215301	11-13	4	222512	6-3	11	251099	4-47	11		13-45	18
	13-21	4		6-5	12		4-49	30		14-19	26
215425	11-11	4		6-7	8	251979	2-17			14-19	27
	13-21	4	222567	10-7	17		2-19			14-21	19
220428	4-49	7	225465	4-11	37	251994	1-109	7		14-21	20
221353	1-33	15	226430	7-3	6		5-22	5		14-29	25
	1-35	11		7-13	4		8-3	9		14-29	26
	1-39	19	227157	1-57	4	252729	11-4	22		14-31	19
	1-48	25		1-57	13		11-4	27		14-31	20
221416	5-29	8		1-59	4		11-4	28		14-36	4
221493	5-28	9		1-59	13		12-4	21		14-37	4
221530	1-33	14	227220	4-3	7		12-4	40		14-37	5
	1-36	29	230315	8-15	41		13-18	20		14-37	6
	1-39	21	230419	7-17	11		14-13	5		14-38	4
	1-48	26	230420	7-17	10	263794	3-41	11		14-38	5
221533	1-31	14	230421	8-15	1	263795	3-41	10		14-38	6
	1-33	13	230443	7-15	22	263828	3-37	13		14-41	8
221536	1-35	13	233683	9-5	26	263842	3-33	10		14-41	13
	1-39	18		9-11	34	264134	4-34			14-43	8
	1-48	27	233693	6-11	8		4-38			14-43	13
221545	3-26	4		6-15	28		4-44			14-45	8
221628	12-7	6		6-25	4		4-53			14-45	13
221631	13-14	36		6-28	49		12-11	6	265732	7-15	10
221717	14-21	5		6-36	2		12-15	6	265787	9-15	12
	14-31	18		10-7	8	264148	5-31	5		10-57	1
221771	1-15	3	235691	6-11	10	264159	10-3	20		10-57	7
222036	2-10	8		6-15	38		10-7		266728	8-15	7
	2-13	6		6-22	6	265731	10-55	1	266733	8-15	6
	3-11	8		6-25	13		10-57	10	268573	3-41	3
	3-12	6		6-27	45		11-21	4	270015	8-19	6
222443	4-11	23	239503	1-61	31		11-27	11	270077	11-11	8

NUMERICAL INDEX (continued)

PART NO.	PAGE	ITEM	PART NO.	PAGE	ITEM	PART NO.	PAGE	ITEM	PART NO.	PAGE	ITEM
	13-21	6		5-127	20	292524	2-5	25		14-19	20
270330	10-61	6		5-131	16	292528	11-19	7		14-21	18
273338	14-17	7	275498	5-82	45		12-27	7		14-29	14
274334	4-11	33	275499	4-23	18		12-31	7		14-31	14
275493	5-67	7		5-82	60		13-35	7	292685	8-15	29
	5-69	9	280154	10-3	18		14-19	19	292691	1-13	4
	5-75	8		10-3	25		14-21	17	293615	7-13	26
	5-82	42		11-4	23		14-29	13	293622	2-7	17
	5-90	23		12-3	12		14-31	13		2-9	12
	5-96	23		12-4	12	292531	2-5	23		3-5	17
	5-102	23		13-14	31		6-8	7		3-9	30
	5-109	35		13-18	21	292559	3-15	13	293625	2-5	9
	5-110	50		13-18	25	292626	1-13	5	293627	2-17	26
	5-115	35		13-26	17	292627	1-13	5		2-19	32
	5-116	50	280878	13-3	13	292656	1-15	5	293628	8-15	9
	5-119	5	283149	7-13	13	292661	14-14	4	293632	7-17	15
	5-119	17	287816	4-53	33	292667	1-79	31	293646	7-13	29
	5-123	6	287851	1-77	7		1-87			7-15	16
	5-127	12		1-77	12		1-101		293648	8-16	49
	5-131	8		5-47	14		5-51	6	293686	8-15	28
275494	5-75	19		5-59	2	292668	5-31	7	293697	6-8	1
	5-82	49	291256	11-8	19		9-3	14	293699	2-17	4
275495	5-21	2	292500	1-57	22		9-5	14		2-19	4
	5-67	2		6-11	11		9-9	26		3-3	3
	5-69	2		6-15	44		9-11	30	293741	6-25	5
	5-82	51		6-25	16	292672	4-27	7		6-36	8
	5-90	19		6-27	43	292678	5-51	5	293744	4-27	6
	5-96	19	292502	4-53	12	292679	14-10	4	293762	7-13	7
	5-108	19	292505	11-27	19	292680	6-11	12		7-15	25
	5-114	19		11-33	21		6-15	3	293774	4-26	16
	5-127	8		12-35	19		6-25	17		4-53	18
	5-131	5		12-41	21		6-27	3	293796	1-109	6
275496	5-75	7		13-40	19	292681	5-59	3	295649	12-11	3
	5-82	52		13-45	21		6-10	7		12-15	3
	5-89	10		14-41	16		6-15	34	296000	10-23	3
	5-95	10		14-43	16		6-22	8	296003	4-26	18
	5-101	10		14-45	16		6-27	33	296009	12-7	13
	5-107	10	292508	12-28	22	292682	2-17	15		13-14	35
	5-113	10	292509	6-10	1		2-19	17	296016	7-15	32
	5-119	10		6-22	3		3-23	14		10-3	9
	5-123	11	292515	2-17	14		6-11	5	296022	6-10	6
	5-127	18		2-19	16		6-15	8		6-22	9
	5-131	14		3-23	2		6-25	2	296025	10-10	5
275497	5-21	2		6-11	4		6-27	8	296026	10-7	19
	5-82	61		6-25	3	292683	1-15	4	296029	1-5	32
	5-89	11		6-27	25		3-19	7	296149	1-5	9
	5-95	11	292516	2-17	13		5-22	7	296152	4-21	19
	5-101	11		2-19	15		6-8	6	296153	4-23	9
	5-107	11		6-15	7		11-19	6		4-23	27
	5-113	11		6-27	7		12-27	6	296158	5-35	4
	5-119	21	292522	6-15	40		12-31	6	296159	9-3	2
	5-123	17		6-27	38		13-35	6		9-5	2

NUMERICAL INDEX (continued)

PART NO.	PAGE	ITEM	PART NO.	PAGE	ITEM	PART NO.	PAGE	ITEM	PART NO.	PAGE	ITEM
	9-9	2	296434	7-3	7		4-53	24	316835	1-79	27
	9-11	2		7-13	3	302409	5-34			1-85	14
296161	9-3	32	296507	14-10	3	302422	4-51	21		1-87	20
	9-9	38	297531	12-19	6		4-53	11		1-101	30
296165	1-57	9		13-25	6	302428	10-13	9		4-53	19
	1-59	9	297532	11-11	5		10-17	9	317292	12-27	17
296229	1-85	7		11-13	4	302437	4-49	17		12-31	17
	1-87	14		13-22	9	302443	4-47	2		13-33	9
	1-101	14	297538	12-19	5	302468	4-33	25		13-35	17
296357	1-31	17		13-25	5		4-37	25		14-19	23
	1-33	18	297649	12-7	7		4-43	25		14-29	17
	1-35	27		13-14	25	302469	7-18	6	319322	12-27	9
296359	4-53	17	300937	8-16	47	302472	12-8	27		12-31	9
296360	1-57	6	301991	7-15	7		12-24	3		13-33	7
	1-57	21	302019	1-79	34		13-13	15		13-35	9
	1-59	6		4-7	2		13-30	23		14-19	21
	1-59	20	302023	2-14	5	302493	12-8	35		14-29	15
296378	4-47	13		3-9	14		13-14	23	319323	12-27	8
	4-49	20	302024	2-10	1	303100	6-15	24		12-31	8
	4-53	15		2-13	1		6-27	23		13-33	8
	9-21	4		3-11	1	303150	2-17	12		13-35	8
	9-23	3		3-12	1		2-19	14		14-19	22
296379	1-36	30	302033	1-65	10		3-3	8		14-29	16
	1-39	23		1-69	9		3-23	1	320154	2-10	3
	1-48			1-71	9		6-15	26		2-13	2
	5-35	5	302047	1-85	9		6-27	28		2-14	4
296380	5-5	3		1-87	44	304523	11-5	37		3-9	13
	5-15	4		1-101	20		12-3	3		3-11	3
	5-19	9	302153	4-53	26		13-17	4		3-12	2
	5-20	5	302244	1-73	10	304527	12-8	29		5-51	4
	5-22	10	302381	1-5	14		13-13	17	320155	14-10	5
296415	1-79	37	302398	4-23	24	306113	10-13	12	320156	1-71	
	1-83	2		5-42	7		10-17	12		1-81	8
296418	2-5	10		9-3	9	309109	10-13	16		1-85	11
	2-7	18		9-5	22		10-15	11		1-87	43
	2-9	13		9-9	10		10-17	17		1-101	19
	3-5	18		9-11	27		10-19	12		4-51	11
	3-7	10	302399	4-51	19	313828	1-31	20		4-53	29
	3-9	31		4-53	13		1-33	21		10-13	4
	3-16	3		9-3	31		1-36	32		10-17	4
296419	1-83	8		9-9	35		1-47	10	320157	5-47	14
296420	2-17	24		11-27	20		1-57	7		6-10	2
	2-19	30		11-33	22		1-57	20		6-22	2
	3-23	20		12-35	20		1-59	7	320158	1-63	24
	4-3	13		12-41	22		1-59	21		1-77	6
	4-7	14		13-40	20		4-53	19		1-77	11
	6-9	2		13-45	22	314775	5-80	21		1-77	14
296422	2-5	22		14-41	17	316448	1-19	25		1-78	11
296423	1-15	3		14-43	17	316826	1-57	17		1-81	2
	2-5	27		14-45	17		1-59	15		1-87	5
	2-17	7	302400	1-69	22	316834	10-13	3		1-101	5
	2-19	7		4-51	13		10-17	3		2-21	16

NUMERICAL INDEX (continued)

PART NO.	PAGE	ITEM	PART NO.	PAGE	ITEM	PART NO.	PAGE	ITEM	PART NO.	PAGE	ITEM
	2-23	20		3-7	21		13-22	13	381110	11-13	6
	2-25	14		3-9	24		13-22	13	381113	13-22	13
	2-27	18	337189	12-8	22	352199	8-19	8	381919	5-63	8
	3-19	19		12-8	22	352205	8-16	50		5-138	2
	3-21	10		13-13	10	352247	10-61	13	386015	10-27	14
320159	4-53	35		13-13	10	352287	10-61	12	386885	12-8	22
320160	1-11	3	337190	13-13	10	353000	4-11	12		13-13	10
	1-57	18	338647	11-8	19		4-15	13	388302	3-33	9
	1-59	16	339897	12-8	22	353144	4-9	4		3-33	19
	8-4	9		13-13	10	353206	1-63	23	388306	3-41	7
320161	8-16	48	339932	11-8	14	356916	13-3	13	388313	3-33	27
	10-13	13		11-17	4	356917	11-8	19	388364	3-38	44
	10-17	14		11-19	9	357025	11-8	19	389688	1-21	2
320165	6-8	2		12-8	17	357626	12-15	14	397676	2-5	4
320289	10-27	10		12-27	11	360387	2-17		399898	2-5	28
	10-29	10		12-31	11		2-19		615145	12-19	10
	10-35	7		13-3	14		4-49	16		13-25	10
	10-37	10		13-11	7		6-9	4	636950	12-20	12
320291	10-27	14		13-13	8	362255	14-2	5		13-26	12
320327	12-28	23		13-33	20	364059	12-20	13	637161	13-25	9
	12-31	20		13-35	11		13-26	13	637162	12-20	13
	13-33	21		14-29	21	364868	1-5	6		13-26	13
	13-35	20		14-31	16	366000	4-21	26	638248	10-61	3
	14-29	22	339933	13-13	10		4-23	16	638249	11-11	11
320396	13-13	10	339934	13-3	13		4-25	6		13-22	7
321124	7-22	3	340044	4-31	41	367139	11-11	6	638250	11-14	12
	7-23	3		4-34	51	367224	2-17	19		13-22	7
	7-24	3		4-38	51		2-19	21	638293	12-20	14
321158	5-21	1	341462	10-27	13	369242	1-53	4		13-26	14
325699	4-49	10		10-35	13	369804	3-5	23	806425	5-79	5
325897	5-15	21	345453	2-7	13		3-7	15		5-82	39
326488	2-5	29		2-9	19		3-9	18	806426	5-19	4
327591	11-8	14		3-5	13		10-3	26		5-19	19
	11-17	4		3-7	19		10-7	12		5-21	2
	13-3	14		3-9	22	369815	2-7	11	806556	8-21	3
	13-11	7	345454	2-7	12		2-9	17	816591	11-21	4
	14-21	3		2-9	18		3-5	11		11-25	7
327807	11-14	8		3-5	12		3-7	17		11-31	9
327808	11-14	12		3-7	20		3-9	27		12-33	7
329069	1-5	10		3-9	23	370646	5-63	5		12-39	9
	1-5	36	345455	2-7	12	374923	4-7	1		13-37	7
	4-47	10		2-9	18		4-18	1		13-43	9
	4-49	29		3-5	12	375571	3-23	9		14-36	4
332061	11-5	38		3-7	19	375575	3-33	24		14-37	4
	12-3	4		3-9	22	375587	3-37	26		14-38	4
	13-17	7	348149	11-8	19	375601	3-33	20	816593	11-21	4
334155	10-61	5	348827	13-13	10	376026	7-3	11		11-27	8
334560	6-16	47	351531	11-13	5		8-16	51		11-31	9
	6-28	47		13-22	9	379405	11-5	36		11-33	10
336550	2-7	14	351532	11-14	11		13-17	14		12-24	11
	2-9	21		13-22	12	379407	3-35	4		12-24	12
	3-5	14	351673	13-22	13		4-17	4		12-35	8

NUMERICAL INDEX (continued)

PART NO.	PAGE	ITEM	PART NO.	PAGE	ITEM	PART NO.	PAGE	ITEM	PART NO.	PAGE	ITEM
	12-39	9	1309839	3-33	12		5-114	15		5-63	1
	12-39	10	1309993	5-19	15		5-114	16		5-63	6
	12-39	11	1310142	5-63	10		5-114	22		5-64	14
	12-41	10	1310370	12-11	9		5-114	23	1329149	2-5	1
	13-30	24	1310371	12-15	9	1323581	5-52	6	1329150	2-5	1
	13-30	25	1310611	5-15	17		5-80	17		5-90	25
	13-40	8	1311260	1-81	12	1323586	5-75	9		5-92	44
	13-43	9	1313196	10-61	10	1324309	5-119	13		5-96	25
	13-43	10	1314381	5-28	4		5-119	14		5-98	44
	13-43	11	1316487	3-28	2		5-123	10		5-102	25
	13-45	10	1316488	3-28	1		5-127	16		5-104	44
	14-36	4	1316496	4-11	32		5-131	12		5-110	52
	14-37	4		4-15	23	1324310	5-119	13		5-116	52
	14-37	5	1320000	3-37	27		5-119	14	1329151	2-5	1
	14-37	6	1323576	5-75	1		5-123	10		5-60	2
	14-38	4		5-75	2		5-127	16		5-63	14
	14-38	5		5-75	9		5-131	12		5-90	24
	14-38	6		5-76	24	1325120	11-5	40		5-90	25
	14-41	5		5-80	23		12-3	5		5-92	44
	14-43	5		5-91	35		13-17	5		5-92	45
	14-45	5		5-97	35	1326653	9-21	9		5-96	24
866401	5-52	6		5-103	35	1327164	5-63	1		5-96	25
	5-63	7		5-111	59		5-63	6		5-98	44
	5-63	9		5-116	58		5-71	5		5-98	45
	5-63	11		5-135	4		5-71	6		5-102	24
	5-81	32		5-135	7		5-82	40		5-103	25
930591	5-85	5		5-135	8		5-90	15		5-104	44
	5-85	10		5-137	4		5-90	16		5-104	45
980541	7-24	3		5-137	7		5-90	25		5-110	51
980542	7-25	4	1323578	5-71	7		5-91	26		5-110	52
	7-29	4		5-82	41		5-92	44		5-116	51
	8-21	5	1323579	5-63	1		5-96	15		5-116	52
1300094	1-19	8		5-63	6		5-96	16	1329152	5-60	2
1300134	5-63	3		5-64	14		5-97	25		5-63	14
1302024	5-25	14		5-71	5		5-97	26		5-90	24
	5-27	15		5-71	7		5-98	44		5-96	24
1302907	5-75	11		5-90	15		5-102	15		5-102	24
	5-81	37		5-90	16		5-102	16		5-110	51
1302908	5-75	11		5-91	26		5-103	25		5-116	51
	5-81	37		5-91	27		5-103	26	1329286	7-3	5
1302909	5-75	11		5-96	15		5-104	44		7-17	27
	5-82	37		5-96	16		5-108	15	1330281	5-60	2
1302910	5-75	11		5-97	26		5-108	16		5-63	14
1302912	5-75	11		5-97	27		5-108	22		5-71	5
	5-81	37		5-102	15		5-110	52		5-90	15
1302955	3-9	26		5-102	16		5-114	15		5-90	16
1304971	1-5	23		5-103	26		5-114	16		5-90	24
	1-5	23		5-103	27		5-114	22		5-91	27
1305165	3-26	1		5-108	15		5-116	52		5-92	45
1307737	1-63	16		5-108	16	1327957	5-75	10		5-96	15
1307994	5-34	4		5-108	22	1327959	5-71	5		5-96	16
1308259	5-80	21		5-108	23	1329147	2-5	1		5-96	24

NUMERICAL INDEX (continued)

PART NO.	PAGE	ITEM	PART NO.	PAGE	ITEM	PART NO.	PAGE	ITEM	PART NO.	PAGE	ITEM
	5-97	27		5-89	8		5-97	30		5-135	5
	5-98	45		5-95	8		5-97	32		5-137	5
	5-102	15		5-101	8		5-98	42		5-138	4
	5-102	16		5-107	8		5-98	52	1330439	5-63	11
	5-102	24		5-113	8		5-98	53		5-72	16
	5-103	27	1330418	5-72	16		5-101	7		5-75	20
	5-104	45		5-81	30		5-101	9		5-76	21
	5-108	15	1330433	5-47	18		5-103	28		5-89	1
	5-108	16	1330437	1-9	10		5-103	30		5-89	2
	5-108	23		5-25	10		5-103	32		5-90	17
	5-110	51		5-25	11		5-104	42		5-90	18
	5-114	15		5-47	7		5-104	52		5-92	57
	5-114	16		5-48	4		5-104	53		5-95	1
	5-114	23		5-72	16		5-105	59		5-95	2
	5-116	51		5-75	20		5-107	7		5-96	17
1330283	5-52	6		5-81	30		5-107	9		5-96	18
	5-63	3		5-89	8		5-109	24		5-98	57
	5-63	5		5-95	8		5-109	26		5-99	59
	5-80	17		5-101	8		5-109	37		5-101	1
1330292	5-63	3		5-102	22		5-110	43		5-101	2
	5-63	5		5-107	8		5-110	48		5-102	17
1330293	5-63	4		5-113	8		5-110	53		5-102	18
1330297	5-71	5		5-116	55		5-110	57		5-105	57
1330355	5-72	13		5-120	29		5-113	7		5-107	1
	5-72	14		5-124	25		5-113	9		5-108	17
	5-72	20		5-128	29		5-115	24		5-108	18
	5-85	5		5-132	25		5-115	26		5-109	42
	5-85	10	1330438	5-45	2		5-115	37		5-110	46
	5-90	13		5-47	10		5-116	43		5-110	55
	5-96	13		5-67	1		5-116	48		5-113	1
	5-102	13		5-67	8		5-116	53		5-114	17
	5-108	13		5-67	10		5-116	56		5-114	18
	5-114	13		5-69	1		5-117	59		5-115	42
1330356	5-72	14		5-69	10		5-119	9		5-116	46
	5-85	5		5-69	12		5-120	23	1330450	3-33	6
	5-85	10		5-75	18		5-120	25	1330453	3-41	5
	5-90	13		5-80	16		5-120	27	1331341	3-33	26
	5-96	13		5-80	19		5-120	30		3-35	7
	5-102	13		5-85	1		5-123	19	1331990	11-8	15
	5-108	13		5-85	4		5-124	21		13-3	11
	5-114	13		5-85	11		5-124	23	1331991	11-8	15
1330414	1-9	9		5-89	7		5-124	26		12-8	15
	5-48	4		5-89	9		5-127	1		13-3	11
	5-52	6		5-91	28		5-127	5		13-13	7
	5-102	22		5-91	30		5-127	9	1333541	3-41	6
	5-116	55		5-91	32		5-128	22	1334423	5-32	4
1330415	5-25	10		5-92	42		5-128	24	1335490	3-33	25
	5-25	11		5-92	52		5-128	26	1335497	5-32	8
	14-2	2		5-92	53		5-131	1	1335499	3-33	16
1330416	4-49	4		5-95	7		5-131	18	1337197	5-3	7
	5-47	6		5-95	9		5-131	20	1338223	3-41	2
	5-47	17		5-97	28		5-132	22	1339828	1-19	21

NUMERICAL INDEX (continued)

PART NO.	PAGE	ITEM	PART NO.	PAGE	ITEM	PART NO.	PAGE	ITEM	PART NO.	PAGE	ITEM
1339832	1-19	24	1358504	5-32		9-9	28			13-22	10
1339963	3-35	23	1359588	1-19	28	9-11	9	1381062	11-14	10	
	3-37	20	1360178	3-37	33	9-21	14		13-22	10	
1340470	4-49	2	1360179	3-33	4	9-23	6	1381074	12-20	14	
1343276	1-19	27	1360182	3-33	5	1375676	1-19		13-26	14	
1345190	11-22	13	1360507	11-21	3	1375797	5-63	1381084	12-11	10	
1345684	8-15	21	1360529	11-4	9		5-63	1381085	10-61	4	
1345690	5-72	20		13-17	17	1376782	5-15	1381086	12-15	10	
1345926	1-19	10	1361302	12-19	4	1377103	3-37	1382111	1-31	1	
1346752	10-13	23		13-25	4	1377107	3-37		1-33	1	
	10-15	14	1362049	1-31	3	1377110	3-31	1382112	1-31	3	
	10-17	24		1-33	3	1377750	3-26		1-33	3	
	10-19	15	1362229	1-16	1	1377792	3-35	1383031	10-61	10	
1347043	2-21	19	1362231	1-16	1	1377793	3-35	1383066	11-11	7	
	2-25	17	1362233	1-16	1	1377794	3-35		13-21	5	
	2-29	21	1362235	1-16	1	1377953	11-27	1383067	11-13	7	
	2-31	24	1363885	5-52	6		11-33	1383068	11-13	7	
	3-19	29		5-81	30		12-35		13-21	5	
	3-21	23	1363886	5-85	3		12-41	1383070	12-19	8	
1347045	1-5	33		5-85	9		13-40		13-25	8	
	1-63	31		5-86	12		13-45	1383257	3-28	7	
	2-21	20		5-89	7		14-41		3-37	11	
	2-25	18		5-95	7		14-43	1383331	5-5	20	
	2-29	22		5-101	7		14-45	1383777	8-15	39	
	2-31	25		5-107	7	1377954	11-27	1383904	3-35	11	
	3-19	30		5-113	7		11-33	1385801	1-16	1	
	3-21	24	1365922	1-19	3		12-35	1385802	1-16	1	
1350215	1-61	20	1367150	1-43	7		12-41	1385803	1-16	1	
	14-7	4		1-43	10		13-40	1385804	1-16	1	
1351178	3-19	31		1-47	6		13-45	1386176	3-37	28	
	3-21	3		1-51	7		14-41		3-41		
1351682	5-127	10		1-51	10		14-43	1386177	3-41	8	
1351689	9-3	23	1371159	4-11	7		14-45	1386179	3-37	38	
	9-5	9		4-15	3	1378553	4-11	1386183	3-37	32	
	9-9	29	1371250	10-43	1	1378722	13-22	1386187	3-35	13	
	9-11	10	1374288	3-35	5	1379063	12-11	1386188	3-35	25	
	9-21	15	1374289	3-35	10		12-15	1386189	3-35	21	
	9-23	7	1374293	3-35	19		13-22	1386190	3-31		
1352140	2-9	2	1374297	3-37	2	1379455	4-41		3-35	22	
	3-7	5	1374298	3-37	8		4-43	1386195	3-31	4	
1352603	5-75	20	1374299	3-37	7	1379945	1-35	1386197	3-31	6	
	5-120	29	1374301	3-37	6		1-47	1387281	12-8	28	
	5-124	25	1374313	3-33	15	1380092	8-19		13-13	16	
	5-128	29		3-37	25	1380849	6-8	1387285	11-17	3	
	5-132	25	1374315	3-37	19	1380878	10-61		13-11	6	
1354165	1-19	9	1374317	3-37	18	1380982	12-20		14-21	2	
1354172	1-19	4	1374319	3-41	1		13-26	1387286	11-17	3	
1357266	5-21	1	1374320	3-41	4	1381055	12-11		11-19	8	
1357268	5-19	1	1374326	3-37	21		12-15		13-11	6	
	5-21	1	1374823	8-15	16	1381056	12-11		14-31	15	
1357533	5-21	2	1375391	9-3	22		12-15	1387327	13-29	15	
1358179	8-21	1		9-5	8	1381061	11-11	1387330	1-15	2	

NUMERICAL INDEX (continued)

PART NO.	PAGE	ITEM	PART NO.	PAGE	ITEM	PART NO.	PAGE	ITEM	PART NO.	PAGE	ITEM
1387341	1-15	1	1389854	13-29	16	1395409	11-7	1	1399137	11-5	41
1387345	1-15	1	1389932	11-7	3	1395415	11-7	1	1399142	11-5	41
1387348	1-15	1		13-7	3	1395492	11-8	19	1399150	11-5	43
1387349	1-15	1	1390759	3-33	2	1395499	11-8	19	1399153	11-5	41
1387446	11-17	1	1390760	3-33	2	1396780	2-5	20	1399169	11-5	41
1387447	11-17	1	1390761	3-33	3	1396781	2-5	17	1399203	11-4	4
1387448	11-17	1	1390765	3-33	3	1398062	4-3	15		11-7	4
1387479	13-13	4	1390770	3-33	7		4-5	19		12-4	31
1387519	12-8	26	1390773	3-33	12		4-7	16		12-7	10
	13-13	14	1393127	3-31	5		5-7	9		13-3	3
	13-13	14	1393348	8-15	33		9-21	12		13-7	9
1387523	13-29	6	1393458	1-83	17	1398099	4-31	2	1399204	11-4	4
1387548	12-27	10	1393463	1-85	13		4-33	2		11-7	4
	13-33	12		1-87	34		4-37	2		12-4	31
	14-19	6		1-101	34		4-41	2		12-7	10
1387549	12-27	11	1393472	1-78	26		4-43	2		13-3	3
	13-33	13		1-85	15	1399076	13-17	19		13-7	9
	14-19	7		1-87	21	1399077	13-17	19	1399205	11-4	4
1387552	13-8	21		1-101	31	1399081	11-5	41		11-7	4
1387740	12-8	32	1393479	1-85	12	1399084	13-17	19		12-4	31
	13-14	20	1393488	1-78	9	1399086	10-63	3		12-7	10
1387741	11-8	11	1393499	1-81	5		10-64	3		13-3	3
1387742	11-8	11		1-87	25		11-5	45		13-7	9
1387743	12-8	30		1-101	37		13-17	19	1399224	11-17	8
	13-13	18	1393527	1-83	5	1399088	11-5	41		11-19	13
1387744	11-8	9	1393528	1-83	4		13-17	19		12-27	14
1387745	11-8	9	1393879	1-61	18	1399090	13-17	19		12-31	14
1387904	1-15	1		2-7	6	1399092	13-17	19		13-33	6
1388019	11-4	20		2-9	7	1399093	11-5	41		13-35	14
	12-3	11		2-21	13		12-35	25		14-19	5
	13-8	24		2-23	13		12-41	27		14-21	9
	13-18	22		2-31	22		14-43	21		14-29	5
1388092	11-17	1		2-35	22	1399094	13-17	18		14-31	5
1388094	11-17	1		3-5	6	1399095	11-5	43	1399243	13-29	5
1388829	8-15	10		3-7	25	1399096	13-17	18	1399298	3-23	3
1388832	8-15	37		3-9	9	1399100	11-5	41	1399332	5-5	20
1388846	8-15	12	1394001	5-34	3		11-5	43	1399802	4-51	7
1388847	8-15	13	1394008	2-19	27		13-17	19	1400125	12-28	21
1388848	8-15	14		4-3	8	1399104	13-17	18		13-33	17
1389050	3-35	24		4-5	9	1399105	11-5	41		14-19	11
1389051	3-31	9		4-7	9	1399106	13-17	18	1400126	12-28	20
1389092	3-37	40	1394500	8-21	7	1399107	11-5	43		13-33	16
1389093	3-35	9	1394514	8-21	6	1399108	13-17	18		14-19	10
1389102	3-35	2	1394552	8-15	15	1399110	13-17	18	1400501	12-11	8
1389672	13-7	5	1395384	11-7	1	1399112	11-5	43	1400507	12-11	8
1389673	13-7	5		11-7	1		13-17	18	1400551	12-11	8
1389779	13-7	4	1395390	11-7	1	1399118	11-5	43	1400557	12-11	8
1389780	13-7	4		11-7	1	1399119	11-5	43	1400801	12-15	8
1389825	12-8	34	1395396	11-7	1	1399120	13-17	18	1400807	12-15	8
	13-14	22		11-7	1	1399123	11-5	43	1400851	12-15	8
1389828	13-30	29	1395403	11-7	1	1399124	11-5	43	1400857	12-15	8
1389846	11-8	7		11-7	1	1399134	11-5	43	1402189	3-19	10

NUMERICAL INDEX (continued)

PART NO.	PAGE	ITEM	PART NO.	PAGE	ITEM	PART NO.	PAGE	ITEM	PART NO.	PAGE	ITEM
	3-21	14		5-102	15	1460758	3-37	30		5-108	14
1402414	4-33	22		5-102	24	1461743	5-63	2		5-109	31
	4-37	22		5-104	45	1461744	5-63	1		5-109	32
	4-43	22		5-108	15		5-63	6		5-109	40
1402620	5-81	26		5-110	51	1463138	5-72	15		5-109	41
1402624	5-75	6		5-114	15		5-76	22		5-113	3
1402813	5-135	10		5-116	51		5-81	29		5-113	4
	5-137	9	1402889	5-71	2		5-135	1		5-113	5
1402814	5-67	4	1450555	3-33	22		5-135	11		5-113	6
	5-67	5	1450941	3-41	9		5-137	1		5-113	12
	5-67	6	1451319	3-33	17		5-137	10		5-114	14
	5-67	9	1451321	3-37	22		5-138	1		5-115	31
	5-69	4		3-37	24		14-5	2		5-115	32
	5-69	5	1452376	5-29	4	1463139	5-85	8		5-115	40
	5-69	6	1452463	13-17	14		5-89	3		5-115	41
	5-69	7	1453247	3-5	19		5-89	4		5-119	1
	5-69	8		3-7	12		5-89	5		5-119	4
	5-69	11		3-16	2		5-89	6		5-119	6
1402815	1-73	9	1453882	1-31	2		5-89	12		5-120	24
	5-67	3		1-33	2		5-90	14		5-120	28
	5-69	3	1453883	1-31	9		5-91	40		5-120	31
	5-91	37	1453887	1-31	10		5-91	41		5-123	1
	5-97	37		1-33	10		5-92	47		5-123	4
	5-103	37		1-47	13		5-92	48		5-123	5
	5-109	29	1454827	5-71	2		5-92	49		5-123	20
	5-115	29	1454862	5-71	2		5-95	3		5-124	24
1402816	5-119	16	1454957	3-37	10		5-95	4		5-124	27
	5-123	15	1454967	5-35	2		5-95	5		5-127	2
	5-127	14	1456112	3-23	8		5-95	6		5-128	23
	5-131	10	1460322	3-37	14		5-95	12		5-128	28
	5-135	2	1460330	3-33	21		5-96	14		5-128	30
	5-137	2	1460331	3-33	23		5-97	40		5-131	2
1402823	5-75	13	1460332	3-35	15		5-97	41		5-131	19
	5-75	15	1460384	3-31	8		5-98	47		5-132	24
	5-79	4	1460386	3-33	8		5-98	48		5-132	26
	5-79	6	1460477	1-5	3		5-98	49	1463184	5-120	32
1402868	5-91	35		1-5	31		5-101	3		5-124	28
	5-97	35		2-21	23		5-101	4		5-128	31
	5-103	35		2-23	26		5-101	5		5-132	27
	5-111	59		2-25	21		5-101	6		5-138	1
	5-116	58		2-27	24		5-101	12	1463189	5-120	31
	5-135	4		2-29	11		5-102	14		5-124	27
	5-137	4		2-31	13		5-103	40		5-128	30
1402883	5-5	12		2-33	11		5-104	41		5-132	26
1402888	5-60	2		2-35	13		5-104	47	1463193	5-51	10
	5-82	41		3-15	11		5-104	48		5-138	1
	5-90	15		3-19	12		5-104	49	1463194	5-85	4
	5-90	24		3-21	15		5-107	3		5-85	11
	5-92	45		3-23	4		5-107	4		5-127	9
	5-96	15		3-25	6		5-107	5	1463196	5-120	31
	5-96	24	1460738	3-33	11		5-107	6		5-124	27
	5-98	45	1460757	3-37	30		5-107	12		5-128	30

NUMERICAL INDEX (continued)

PART NO.	PAGE	ITEM	PART NO.	PAGE	ITEM	PART NO.	PAGE	ITEM	PART NO.	PAGE	ITEM
	5-132	26		14-27	7	1467770	14-27	5		10-63	10
1463910	5-31	2		14-33	4	1467771	14-23	5		10-64	10
1465028	12-27	5		14-35	4	1467772	14-25	5	1474318	14-14	3
	14-21	16	1467147	14-23	8	1467774	14-33	10	1474387	13-18	24
1465072	11-4	5		14-25	8	1467776	14-33	10	1474398	11-4	13
	11-7	5		14-27	8	1468308	1-77	4		12-4	28
	11-17	7		14-33	5	1468311	1-83	6	1474399	11-4	13
	11-19	12		14-35	5	1468312	1-75	3		12-4	28
	12-4	29	1467148	14-23	9		1-77	2	1474496	13-17	11
	12-7	12		14-25	9		1-77	9	1474497	13-17	11
	12-27	13		14-27	9	1468313	1-78	10	1474893	5-19	6
	12-31	13		14-33	6	1468314	1-78	20	1476064	5-90	13
	13-3	5		14-35	6	1468315	1-78	19		5-96	13
	13-7	11	1467150	14-23	13	1468316	1-78	18		5-102	13
	13-11	5		14-25	13	1468317	1-78	13		5-108	13
	13-14	32		14-27	11	1468318	1-87	27		5-114	13
	13-33	5	1467151	14-23	1		1-101	2	1476067	5-72	13
	13-35	13		14-25	1	1468319	1-83	3	1476071	5-72	14
	14-19	4		14-27	1	1469405	3-19	13	1476077	5-75	2
	14-21	8	1467153	14-23	2	1470155	1-36			5-80	23
	14-29	4		14-25	2		1-39		1476108	5-71	9
	14-31	4		14-27	2	1471591	8-21	1		5-71	10
1465177	11-19	3	1467154	14-23	3	1471829	8-21	1		5-72	20
	12-27	3		14-25	3	1471830	7-24	1		5-85	5
	12-31	3		14-27	3	1471831	7-24	1		5-85	10
	13-35	3	1467200	14-23	11	1471836	7-24	1		5-90	13
	14-19	15		14-25	11	1471838	7-24	1		5-96	13
	14-21	13		14-33	11	1471922	8-21	1		5-102	13
	14-29	9		14-35	11	1473887	10-55	1		5-108	13
	14-31	9	1467201	14-23	10		10-57	10		5-114	13
1465226	11-19	1		14-25	10		11-27	11	1476109	5-72	11
1465468	5-71	6		14-33	8		11-33	13		5-72	13
	5-82	40		14-35	8		12-35	11		5-72	14
1465469	5-71	7	1467203	14-33	13		12-41	13		5-90	13
	5-82	41		14-35	13		13-40	11		5-96	13
1465489	10-55	7	1467204	14-33	1		13-45	13		5-102	13
	11-21	2		14-35	1		14-21	19		5-108	13
	12-24	13	1467205	14-33	2		14-29	25		5-114	13
	13-29	14		14-35	2		14-31	19	1476421	2-10	6
1465518	11-5	34	1467206	14-33	7		14-41	8		2-13	10
	12-4	37		14-35	7		14-43	8		3-11	6
	13-3	16	1467632	14-23	14		14-45	8		3-12	10
1465585	11-4	8		14-25	14	1473888	10-3	18	1476598	5-79	1
	13-17	16		14-27	12		13-8	23		5-79	9
1466633	13-7	17	1467633	14-23	15		13-18	21		5-79	10
1467145	14-23	6		14-25	15	1473897	10-55	3		5-79	11
	14-25	6		14-27	13		14-19	27		5-81	28
	14-27	6		14-33	15		14-21	20	1476599	5-79	1
	14-33	3		14-35	15		14-29	26		5-79	9
	14-35	3	1467634	14-33	14		14-31	20		5-79	10
1467146	14-23	7		14-35	14	1473898	10-3	25		5-79	11
	14-25	7	1467769	14-23	5		10-7	29		5-81	28

NUMERICAL INDEX (continued)

PART NO.	PAGE	ITEM	PART NO.	PAGE	ITEM	PART NO.	PAGE	ITEM	PART NO.	PAGE	ITEM
	5-81	36		1-51	4		5-109	31		5-85	2
1477559	11-4	17	1482906	1-43	6		5-109	32	1485449	11-5	33
	12-4	15		1-51	6		5-109	33		12-4	38
1477570	11-21	8	1482925	1-47	11		5-113	3		13-3	15
1477578	11-22	11	1482949	1-47	12		5-113	4	1486737	9-15	18
1479090	1-16	1	1482953	1-55	6		5-113	5		10-7	22
1479132	1-16	1	1483335	14-25	5		5-113	6		10-23	6
1479133	1-16	1	1483336	14-27	5		5-113	9		11-27	17
1479134	1-16	1	1484377	5-45	2		5-113	12		11-33	19
1480187	5-89	1		5-67	1		5-114	14		12-35	17
	5-107	1		5-85	1		5-115	31		12-41	19
	5-113	1		5-89	3		5-115	32		13-40	17
1480188	5-63	9		5-89	4		5-115	33		13-45	19
	5-107	1		5-89	5		5-117	59		14-41	14
	5-113	1		5-89	6		5-120	24		14-43	14
1480237	1-61	16		5-89	9		5-120	28		14-45	14
	1-61	36		5-89	12		5-120	29	1486738	10-7	33
	1-63	5		5-90	14		5-120	32	1486740	9-15	12
	2-21	8		5-91	39		5-123	1		9-17	2
	2-23	8		5-91	40		5-123	20	1486742	10-23	8
	2-25	7		5-91	41		5-124	24	1486749	12-4	20
	2-27	7		5-92	53		5-124	25	1486753	10-7	1
	2-29	5		5-95	3		5-124	28	1487058	9-17	7
	2-31	5		5-95	4		5-127	2		10-7	35
	2-33	5		5-95	5		5-128	23	1487061	9-15	3
	2-35	5		5-95	6		5-128	28		9-17	1
	3-9	20		5-95	9		5-128	29		10-57	1
	4-11	29		5-95	12		5-128	31	1487063	10-57	7
	4-15	25		5-96	14		5-131	2	1487068	11-4	22
	4-51	6		5-97	39		5-131	19		12-4	13
	5-5	7		5-97	40		5-132	24		13-18	20
	5-13	11		5-98	41		5-132	25	1487095	10-57	11
	5-15	15		5-98	53		5-132	27		11-27	16
	5-22	6		5-101	3		5-135	1		11-33	18
	5-36	5		5-101	4		5-135	11		12-35	16
	6-3	8		5-101	5		5-137	1		12-41	18
	6-5	7		5-101	6		5-138	4		13-40	16
	6-7	7		5-101	9	1484397	5-85	4		13-45	18
	8-3	5		5-101	12		5-85	11		14-41	13
	10-7	30		5-102	14		5-127	9		14-43	13
	10-55	9		5-103	39	1484557	5-85	8		14-45	13
	10-57	8		5-103	40		5-119	4	1487096	11-4	28
1480392	12-27	10		5-104	41		5-119	6		12-4	21
	12-31	10		5-104	53		5-123	4		13-18	27
	13-33	19		5-105	59		5-123	5		14-13	5
	13-35	10		5-107	3	1484558	5-85	8	1487097	10-57	2
	14-29	20		5-107	4		5-119	4	1487956	1-103	8
1482668	5-72	14		5-107	5		5-119	6	1487957	1-103	7
	5-85	5		5-107	6		5-123	4	1488404	14-17	5
	5-85	10		5-107	9		5-123	5	1489643	3-31	10
1482701	3-31	3		5-107	12	1484709	5-72	17	1489655	4-49	4
1482905	1-43	4		5-108	14		5-76	21		5-47	5

NUMERICAL INDEX (continued)

PART NO.	PAGE	ITEM	PART NO.	PAGE	ITEM	PART NO.	PAGE	ITEM	PART NO.	PAGE	ITEM
	5-47	16		5-97	30		5-116	53	1498046	5-81	34
	5-89	8		5-98	42		5-116	56	1498336	1-81	14
	5-95	8		5-98	52		5-120	27		1-91	11
	5-101	8		5-103	28		5-124	23		1-93	10
	5-107	8		5-103	30		5-128	26	1498424	5-71	9
	5-113	8		5-104	42		5-132	22		5-71	10
1489656	5-47	8		5-104	52		5-135	5	1500744	11-3	2
	5-91	32		5-109	24		5-137	5		11-7	2
	5-97	32		5-109	37	1492140	1-83	18		11-17	2
	5-103	32		5-110	48	1492167	1-65	10		11-19	2
	5-109	26		5-110	53		1-69	9		12-3	2
	5-115	26		5-110	57		1-71	9		12-7	2
	5-119	9		5-115	24	1493306	10-61	15		12-27	2
	5-120	23		5-115	37	1493336	1-78	2		12-31	2
	5-120	30		5-116	48	1493428	5-89	9		13-3	2
	5-123	19		5-116	53		5-95	9		13-7	2
	5-124	26		5-116	56		5-101	9		13-11	2
	5-127	1		5-120	27		5-107	9		13-13	2
	5-127	5		5-124	23		5-113	9		13-33	2
	5-127	22		5-128	26	1493430	5-138	4		13-35	2
	5-131	1		5-132	22	1493435	5-67	6	1500784	1-16	4
	5-131	18		5-135	5		5-67	9	1500786	1-16	4
1489657	5-47	9		5-137	5		5-69	8	1500884	3-33	18
	5-91	32	1490243	5-67	8		5-69	11	1500899	5-71	2
	5-97	32		5-67	10	1493447	5-69	5		5-92	50
	5-103	32		5-69	10		5-69	6		5-98	50
	5-109	26		5-69	12	1493465	1-9	8		5-104	50
	5-115	26		5-75	18		5-48	4		5-109	39
	5-119	9		5-80	19		5-52	6		5-115	39
	5-120	23		5-85	3		5-102	22		5-119	20
	5-120	30		5-85	9		5-116	55		5-123	16
	5-123	19		5-86	12		14-2	2		5-127	19
	5-124	26		5-91	28	1493466	5-25	10		5-131	15
	5-127	1		5-91	30		5-25	11	1500912	1-5	7
	5-127	5		5-91	42	1493480	1-65	10		2-19	24
	5-127	22		5-92	52		1-69	9		3-23	17
	5-131	1		5-97	28		1-71	9		4-49	14
	5-131	18		5-97	30	1494750	6-15	25		5-5	18
1490242	5-67	8		5-98	42		6-27	19		5-7	4
	5-67	10		5-98	52	1494888	1-9	17		5-9	8
	5-69	10		5-103	28		1-65	2		5-13	2
	5-69	12		5-103	30		1-69	8		5-47	2
	5-75	18		5-104	42		1-71	8		5-48	2
	5-80	19		5-104	52	1495279	11-22	12		5-52	4
	5-85	3		5-109	24		12-24	4		5-72	15
	5-85	9		5-109	37		13-29	7		5-72	17
	5-86	12		5-110	48	1495441	1-78	16		5-135	
	5-91	28		5-110	53	1498044	5-71	5		5-137	
	5-91	30		5-110	57		5-81	35		14-2	6
	5-91	42		5-115	24		5-102	19		14-7	2
	5-92	52		5-115	37		5-105	60	1500913	5-45	2
	5-97	28		5-116	48		5-117	61		5-67	1

NUMERICAL INDEX (continued)

PART NO.	PAGE	ITEM	PART NO.	PAGE	ITEM	PART NO.	PAGE	ITEM	PART NO.	PAGE	ITEM
	5-69	1	4-17			1503959	1-75	8		2-21	9
	5-80	16	4-21	23			1-77	3		2-23	9
	5-85	1	4-23	13		1504075	2-17	3		2-25	8
	5-89	7	4-51	25			2-19	3		2-27	8
	5-89	9	5-13	13			3-3	4		2-31	9
	5-95	7	5-15	6	1504941	1-65	10			2-35	9
	5-95	9	5-17	2		1-69	9			3-9	8
	5-101	7	5-22	12		1-71	9			4-3	3
	5-101	9	10-63	5		1-78	14			4-17	15
	5-107	7	10-64	5	1506738	4-8	4			5-36	4
	5-107	9	4-51	22		4-9	5			5-41	5
	5-110	43	5-13	5	1506825	1-85	22			7-3	2
	5-113	7	5-15	2		1-87	39			9-21	17
	5-113	9	6-3	9		1-101	27	1510115		3-19	3
	5-116	43	6-5	10	1507003	1-78	5			3-21	8
1500925	5-120	29	10-55	12	1508229	1-87	8			5-7	7
	5-124	25	10-57	13		1-101	7			5-9	11
	5-128	29	10-63	9	1508232	5-71	8	1510117		2-23	16
	5-132	25	10-64	9	1509888	2-29	17			2-27	14
1501259	1-19	2	12-35	28		2-31	19			2-33	27
1501276	6-8	5	12-41	30		2-33	17			2-35	29
1501277	7-3	10	14-43	24		2-35	19			3-19	28
1501278	7-3	10	4-3	18	1502079	5-15				3-21	4
1501970	4-21	14	4-5	15		5-82	58	1510126		1-65	13
	5-17	6	4-7	19		5-92	46			1-69	10
1502007	10-3	6	4-17	12		5-98	46			1-71	10
	10-63	2	4-28	12	1502543	5-104	46	1511882		11-17	10
	10-64	2	5-5	2		5-109	36			12-27	16
1502009	4-17	2	5-15	23		5-115	36			13-7	12
	9-15	23	5-19	10		5-119	8			13-11	3
1502053	5-22	11	5-20	4		5-123	8			13-14	34
	5-47	19	10-3	11		5-131	6			13-33	3
	9-15	4	10-9	5		5-135	3	1511883		11-17	10
	9-17	5	14-10	7		5-137	3			11-19	15
	10-55	11	5-92	53	1502625	5-82	46			12-27	16
	10-63	7	5-98	53		1509890	2-29	16		12-31	16
	10-64	7	5-104	53		2-31	18			13-7	12
1502054	4-11	42	5-105	59		2-33	16			13-11	3
	5-15	11	5-117	59		2-35	18			13-14	34
	10-23	11	5-92	53	1502626	5-17	5			13-33	3
1502055	5-47	13	5-98	53		5-82	54			13-35	16
	10-23	12	5-104	53		5-82	57			14-19	2
1502059	4-21	24	5-105	59		5-85	7			14-21	6
	4-23	14	5-117	59		5-91	34			14-29	2
	10-57	14	10-55	5	1502809	5-97	34			14-31	2
	10-63	8	13-29	4		5-103	34	1511884		11-17	10
	10-64	8	5-63	1	1503088	5-109	28			12-27	16
	12-35	27	5-63	6		5-115	28			13-7	12
	12-41	29	1-19	7	1503878	5-127	7			13-11	3
	14-43	23	1-19	7	1503879	5-135	9			13-14	34
1502061	1-106	6	1-75	4	1503958	5-137	8			13-33	3
	1-109	5	1-77	17		1510113	1-11	1	1512403	2-5	24

NUMERICAL INDEX (continued)

PART NO.	PAGE	ITEM	PART NO.	PAGE	ITEM	PART NO.	PAGE	ITEM	PART NO.	PAGE	ITEM
	8-4	1		5-109	42		5-103	27		5-114	22
	8-4	8		5-110	47		5-108	23		5-114	23
1512536	1-35	10		5-110	56		5-114	23	1522424	9-15	20
	1-39	12		5-114	17	1521186	5-90	26	1522425	9-15	15
	1-47	15		5-115	42		5-97	26	1523732	1-16	3
1513089	1-47	5		5-116	47		5-103	26	1523734	1-16	2
1514138	6-36	5	1514962	3-37	43		5-108	22	1523737	1-16	5
1514295	4-12	5	1514964	3-37	36		5-114	22	1523741	1-17	5
1514429	1-109	8	1514965	3-37	34	1521188	5-90	15	1523742	1-17	
	2-29	13	1514968	3-33	13		5-90	16	1524267	4-47	4
	2-31	15	1515337	1-87	33		5-90	26		4-49	23
	2-33	13		1-101	33		5-91	27	1524397	5-73	23
	2-35	15	1515654	6-15	39		5-96	15	1525354	8-15	45
	4-51	12		6-27	37		5-96	16	1525442	4-33	24
	5-15	22		7-3	15		5-97	26		4-37	24
	5-20	6		7-13	9		5-97	27		4-43	24
	5-35	3		10-7	10		5-102	15	1525451	4-31	11
	5-51	12	1516199	9-15	1		5-102	16		4-33	38
	9-3	5		9-17	11		5-103	26		4-37	38
	9-5	5	1516202	14-19	26		5-103	27		4-41	11
	9-9	5	1516203	8-3	8		5-108	15		4-43	38
	9-11	5	1516826	6-15	11		5-108	16	1525478	4-33	20
1514597	5-72	17		6-27	10		5-108	22		4-37	20
	5-81	32	1517361	4-51	10		5-108	23		4-43	20
	5-85	2		10-13	15		5-114	15	1525563	5-89	7
	5-90	18		10-15	12		5-114	16		5-95	7
	5-92	57		10-17	16		5-114	22		5-101	7
1514598	5-52	6		10-19	13		5-114	23		5-107	7
	5-63	7	1517656	1-61	33	1521309	5-48	4		5-110	43
	5-63	11	1519439	1-16	1	1521324	5-81	33		5-113	7
	5-72	17	1519440	1-16	1	1521809	7-13	8		5-116	43
	5-76	21	1519442	1-16	1		7-15	13	1525564	5-67	1
	5-81	32	1519444	1-16	1	1521989	5-63	14		5-69	1
	5-85	2	1520660	6-36	9		5-71	5		5-80	16
	5-108	18	1520864	5-73	27		5-90	15	1525565	5-45	2
	5-114	18		5-75	14		5-90	16	1525566	5-85	1
1514602	5-85	6		5-75	16		5-91	26	1525567	5-89	6
	5-90	17		5-79	5		5-91	27		5-89	12
	5-92	54		5-82	39		5-96	15		5-92	47
	5-92	58	1520927	1-78	23		5-96	16		5-95	6
1514603	5-85	6	1521183	5-90	16		5-97	26		5-95	12
	5-90	17		5-96	16		5-97	27		5-98	47
	5-92	54		5-102	16		5-102	15		5-101	6
	5-92	58		5-108	16		5-102	16		5-101	12
	5-96	17		5-114	16		5-103	26		5-104	47
	5-96	22	1521184	5-90	15		5-103	27		5-107	6
	5-98	54		5-96	15		5-108	15		5-107	12
	5-99	58		5-102	15		5-108	16		5-109	40
	5-102	17		5-108	15		5-108	22		5-113	6
	5-104	54		5-114	15		5-108	23		5-113	12
	5-105	58	1521185	5-91	27		5-114	15		5-115	40
	5-108	17		5-97	27		5-114	16		5-120	24

NUMERICAL INDEX (continued)

PART NO.	PAGE	ITEM	PART NO.	PAGE	ITEM	PART NO.	PAGE	ITEM	PART NO.	PAGE	ITEM
	5-123	20		11-33	19		9-3	16		4-5	13
	5-128	23		12-35	17		9-5	16		4-7	6
	5-131	19		12-41	19		9-9	16		11-31	7
1525568	5-89	5		13-40	17		9-11	16		11-33	7
	5-95	5		13-45	19		10-3	17		12-39	7
	5-101	5		14-41	14		10-7	5		12-41	7
	5-107	5		14-43	14		10-13	2		13-43	7
	5-113	5		14-45	14		10-15	2		13-45	7
	5-119	1	1527876	1-5	17		10-17	2	1527885	2-21	22
	5-123	1		2-17	29		10-19	2		2-23	25
	5-127	2		2-29	15		10-55	8		2-25	20
	5-131	2		2-31	17	1527880	1-5	12		2-27	23
1525569	5-89	4		2-33	15		2-19	13		2-29	10
	5-90	14		2-35	17		2-21	11		2-31	12
	5-95	4		4-11	15		2-23	11		2-33	10
	5-96	14		4-15	18		2-25	6		2-35	12
	5-101	4		4-28	13		2-27	6		11-27	18
	5-102	14		4-51	18		2-29	6		11-33	20
	5-107	4		5-19	24		2-31	6		12-35	18
	5-108	14		5-28	8		2-33	6		12-41	20
	5-113	4		9-5	28		2-35	6		13-40	18
	5-114	14		9-11	32		4-3	14		13-45	20
1525570	5-89	3	1527877	5-35	8		4-5	20		14-41	15
	5-95	3		5-41	3		4-7	15		14-43	15
	5-101	3		14-7	5		4-11	28		14-45	15
	5-107	3	1527878	1-5	21		5-5	8	1527886	8-4	8
	5-113	3		10-13	6		5-15	16	1527888	1-65	7
	5-120	28		10-17	6		5-19	11	1527979	11-27	27
	5-124	24	1527879	2-19	34		9-3	24		11-33	29
	5-128	28		3-25	7		9-5	34		12-35	26
	5-132	24		3-27	7		9-9	30		12-41	28
1525573	5-119	12		3-39	6		9-12	40		13-40	28
	5-127	4		4-5	14		9-21	11		13-45	30
1525577	5-91	33		4-7	5	1527881	2-7	4		14-41	23
	5-109	27		4-11	21		2-7	4		14-43	22
	5-115	27		4-11	28		2-9	6		14-45	23
	5-120	22		4-15	24		3-5	4	1527983	10-3	13
	5-123	18		4-17	10		3-7	4	1528132	5-39	3
	5-127	21		4-47	8		3-9	33	1528133	5-39	4
	5-131	17		4-49	27		4-11	11	1528315	5-39	2
1525584	5-76	24		4-51	5		4-15	12	1528482	3-19	21
	5-119	7		5-3	9		4-21	16		3-19	24
	5-123	7		5-5	14		4-23	6		3-21	18
	5-127	6		5-13	10		5-13	8		3-21	20
	5-131	4		5-15	13	1527883	4-11	20		5-7	8
1525677	6-15	11		5-19	14		11-25	6	1528580	12-24	12
	6-27	10		5-21	4		11-27	6		12-33	8
1525679	6-15	11		6-3	7		12-33	6		12-39	10
	6-27	10		6-5	6		12-35	6		13-30	24
1525686	6-11	22		6-7	6		13-37	6		13-37	8
	6-25	28		6-8	9		13-40	6		13-43	10
1527813	11-27	17		8-3	6	1527884	4-3	4		14-37	5

NUMERICAL INDEX (continued)

PART NO.	PAGE	ITEM	PART NO.	PAGE	ITEM	PART NO.	PAGE	ITEM	PART NO.	PAGE	ITEM
	14-38	5		5-123	20		3-5	5		1-57	8
1528608	4-12	3		5-124	24		3-7	2		1-59	8
1528630	5-39	5		5-127	2		3-9	7		1-61	19
1528631	5-39	6		5-128	23		4-17	16		1-63	32
1528778	1-5	4		5-128	28		4-21	17		4-8	5
	9-21	10		5-131	2		4-23	7		4-9	6
1528888	1-9	12		5-131	19		5-27	19		4-53	2
	1-65	6		5-132	24	1530244	2-5	13		5-41	2
	1-69	18	1529052	5-138	4		4-3	5		10-23	2
	1-71	18	1529257	5-17	12		4-5	6		14-2	3
	2-5	18	1529366	2-17	18		4-7	7		14-10	7
1528889	1-5	29		2-19	20	1530311	4-47	9	1531563	8-4	3
1528893	4-11	13		4-12	4		4-49	28	1531973	5-91	41
	4-15	14		5-5	21	1530960	5-51	10		5-92	48
1528903	4-31	19		5-5	24		5-76	22		5-97	41
	4-33	29		5-15	5		5-135	11		5-98	48
	4-37	29		5-19	21		5-137	10		5-103	41
	4-41	19		5-22	9	1530961	5-51	10		5-104	48
	4-43	29	1529428	1-63	4		5-76	22		5-109	31
1529010	3-28	5	1529787	2-7	7		5-135	11		5-109	41
1529014	14-17	6		2-9	4		5-137	10		5-115	31
1529016	11-22			3-5	7	1530964	5-82	59		5-115	41
	11-27	13		3-7	1	1530971	4-47	6	1531974	5-91	41
	11-33	15		3-9	6		4-49	25		5-92	48
	12-24		1529890	6-15	21	1531001	1-63	15		5-97	41
	12-35	13		6-27	21		1-63	35		5-98	48
	12-41	15	1530037	5-89	3		2-29	14		5-103	41
	13-30	26		5-89	4		2-31	16		5-104	48
	13-40	13		5-89	5		2-33	14		5-109	31
	13-45	15		5-89	6		2-35	16		5-109	41
	14-41	10		5-95	3		5-25	17		5-115	31
	14-43	10		5-95	4	1531162	5-67	4		5-115	41
	14-45	10		5-95	5		5-67	5	1531975	5-9	5
1529046	5-89	12		5-95	6		5-69	4	1532255	5-34	5
	5-90	14		5-101	3		5-69	7	1532571	5-75	10
	5-92	47		5-101	4	1531231	5-81	28		5-119	7
	5-95	12		5-101	5	1531312	4-49	4		5-123	7
	5-96	14		5-101	6	1531404	2-7	8		5-127	6
	5-98	47		5-107	3		3-5	8		5-131	4
	5-101	12		5-107	4		3-7	24	1532638	14-33	9
	5-102	14		5-107	5		3-9	3		14-35	10
	5-104	47		5-107	6	1531480	2-19	25	1532639	14-33	9
	5-107	12		5-113	3		3-23	18		14-35	10
	5-108	14		5-113	4		5-72	16	1532640	14-23	4
	5-109	40		5-113	5	1531486	5-85	5		14-27	4
	5-113	12		5-113	6		5-85	10	1532643	14-23	4
	5-114	14	1530135	1-63	7	1531490	5-90	22		14-25	4
	5-115	40	1530221	1-5	24	1531557	1-9	13	1532650	10-7	7
	5-119	1	1530243	1-5	39		4-53	25	1532664	5-120	25
	5-120	24		2-7	5		5-41	6		5-124	21
	5-120	28		2-7	5		14-9	4		5-128	24
	5-123	1		2-9	5	1531558	1-9	3		5-131	20

NUMERICAL INDEX (continued)

PART NO.	PAGE	ITEM	PART NO.	PAGE	ITEM	PART NO.	PAGE	ITEM	PART NO.	PAGE	ITEM
1532758	5-75	12		1-69	13	1541640	12-19	3	1544153	1-10	4
1532759	5-27	12		1-71	13		13-25	3		1-10	4
	5-75	5	1537422	5-34	7	1541921	3-23	10	1544157	10-55	10
	5-82	44	1537449	6-19	14		6-9	3	1544216	6-15	17
1532761	5-82	47		6-21	14	1541988	5-72	15		6-27	16
1532775	5-27	11		6-31	14		5-81	29	1544217	6-15	18
1532776	5-75	4		6-33	14		5-91	39		6-27	17
1532778	5-82	43		6-35	14		5-97	39	1544218	6-15	13
1532781	5-82	48	1537450	6-19	16		5-103	39		6-27	12
1532904	5-51	10		6-21	16		5-109	33	1544255	5-39	7
1533810	5-72	19		6-31	15		5-115	33	1544413	1-61	14
1534282	5-92	56		6-33	15	1541989	5-72	15	1544415	1-61	15
	5-98	56		6-35	16		5-81	29	1544759	6-36	6
	5-104	56	1537459	6-21	19	1541991	5-91	40	1545202	5-89	2
	5-110	45		6-31	20		5-92	49	1545546	6-22	4
	5-116	45		6-33	21		5-97	40		6-25	11
	5-119	3		6-35	19		5-98	49		6-36	12
	5-123	3	1537551	1-5	8		5-103	40	1546673	5-75	1
	5-128	27		5-5	26		5-104	49		5-135	7
	5-132	23		5-25	2		5-109	32		5-137	7
1534329	5-90	20		5-27	2		5-115	32	1546697	5-89	2
	5-96	20	1538782	4-51	4	1541992	5-91	40		5-95	2
	5-102	20	1539153	5-21	1		5-92	49		5-101	2
	5-108	20	1539584	5-25	20		5-97	40		5-107	2
	5-114	20		5-41	11		5-98	49		5-113	2
1534417	1-5	15	1539872	5-72	20		5-103	40	1547342	7-22	1
	5-5	11	1540388	5-90	21		5-104	49		7-23	1
1534660	1-21	7		5-96	21		5-109	32	1547348	7-22	1
1534672	4-31	17		5-102	21		5-115	32		7-23	1
	4-33	28		5-108	21	1542436	6-3	10	1547354	7-26	1
	4-37	28		5-114	21		6-5	11	1547355	7-26	1
	4-41	17		5-119	2	1542439	5-13	4	1547356	7-26	1
	4-43	28		5-123	2		5-15	7	1547357	7-26	1
1534828	5-119	11		5-127	3		5-47	12	1547447	6-11	18
	5-123	12		5-131	3		10-7	24		6-25	25
	5-127	17	1540389	5-82	55	1542440	4-51	26	1547480	5-73	26
	5-131	13	1540643	1-63	34	1542546	10-13	10		5-73	29
1534871	9-3	12	1540805	5-5	1		10-17	10	1547483	5-72	11
	9-5	12	1540851	8-3	10	1543063	8-21	1	1547629	5-71	8
	9-9	12		8-15		1543064	8-21	1	1548517	5-45	3
	9-11	12	1540852	8-15	44	1543254	8-15	46		5-72	11
1535166	5-47	1	1541231	2-17	27	1543553	5-71	2		5-72	12
1535257	2-10	4		6-11	13	1543691	4-11	39		5-73	26
	2-13	7		6-25	15	1543698	4-11	40		5-73	29
	2-14	3	1541232	6-11	14		5-15	10		5-79	2
	3-9	12		6-25	18		5-20	3		5-119	18
	3-11	4	1541242	12-24	1		9-15	5		5-123	9
	3-12	7		13-29	21		9-17	6		5-127	11
1536304	5-19	2	1541243	12-24	2	1543842	4-11	38		5-131	7
	5-21	1		13-29	22		4-17			5-135	6
1536813	1-9	14	1541556	6-15	16		5-13	7		5-137	6
	1-65	15		6-27	15		5-17	9	1548519	5-45	3

NUMERICAL INDEX (continued)

PART NO.	PAGE	ITEM	PART NO.	PAGE	ITEM	PART NO.	PAGE	ITEM	PART NO.	PAGE	ITEM
	5-72	11	1550572	6-15	42	1557651	8-19	4	1562492	8-7	11
	5-72	12		6-27	40	1557737	2-17	2	1562493	8-7	13
	5-73	26	1550646	5-51	7		2-19	2	1562496	8-7	16
	5-73	29	1550647	5-51	3		3-3	5	1562501	8-7	21
	5-79	2	1551303	10-61	10	1558035	1-81	24	1562505	8-7	25
	5-119	18	1551663	2-14	2	1558036	1-81	4	1562509	8-7	1
	5-123	9		3-9	11	1558052	1-79	30	1562648	6-3	6
	5-127	11	1551839	8-4	3	1558156	5-135	8		6-5	5
	5-131	7	1552107	5-51	9	1558219	1-9	16		8-3	7
	5-135	6	1552141	3-35	3	1558294	1-85		1562649	5-67	4
	5-137	6	1552853	6-10	8		1-87			5-67	5
1550157	11-4	27	1553269	3-23	12		1-101			5-67	6
	12-4	40	1553403	6-12	25	1558515	6-15	37		5-67	9
	13-17	2		6-15	10		6-27	36		5-69	4
1550158	11-4	27		6-27	26	1558807	3-33	11		5-69	5
	13-17	2	1553897	4-53	16	1559567	5-28	3		5-69	6
1550159	12-4	40		5-42	8	1559695	3-39	2		5-69	7
1550193	12-4	39		9-3	7		5-32			5-69	8
	12-8	21		9-5	23	1559922	5-32	3		5-69	11
1550194	12-4	39		9-9	7	1559923	5-32	5	1563208	1-35	7
	12-8	21		9-11	29	1559924	5-32	6		1-39	7
1550195	13-14	31	1554085	6-9	1	1559925	5-32	7		1-48	
	13-26	17	1554086	6-9	1	1559928	5-5	9	1563227	1-31	4
1550196	13-14	31	1554359	5-85	6	1559973	10-27	18		1-33	4
	13-26	17		5-90	17	1560255	2-17	28	1563230	1-35	8
1550197	10-63	13		5-92	54	1560447	5-25	21		1-39	8
	10-64	13		5-92	58	1560448	5-25	12		1-47	14
	11-4	23		5-96	17	1560643	1-96	4	1563231	1-35	18
	12-3	12		5-96	22	1560671	1-9	2		1-47	17
	13-18	25		5-98	54	1560678	5-35	6	1563369	1-5	35
1550198	10-63	13		5-99	58	1560681	10-27	15		1-5	35
	10-64	13		5-102	17		10-29	13	1563841	5-9	
	11-4	23		5-104	54		10-35	10	1564035	5-29	1
	12-3	12		5-105	58		10-37	13	1564044	5-19	18
	13-18	25		5-107	2	1560692	5-92	55		5-21	2
1550199	12-4	36		5-108	17		5-98	55	1564263	1-5	16
1550384	11-4	29		5-110	42		5-104	55	1564392	4-12	5
1550385	12-4	24		5-110	47		5-110	44	1564515	10-3	23
1550386	11-4	30		5-110	56		5-116	44	1564747	10-13	11
1550387	12-4	25		5-113	2	1561027	5-73	22		10-15	5
1550425	12-24	11		5-114	17	1561147	5-71	1		10-17	11
	12-33	9		5-116	42	1561559	14-5	2		10-19	5
	12-39	11		5-116	47	1561749	14-10	1	1564752	4-47	14
	13-30	25	1554815	5-34	2	1561755	14-5	2		4-49	21
	13-37	9	1554902	5-3	10	1561759	5-47	11	1565076	5-25	13
	13-43	11		5-7	13		10-7	25		5-27	9
	14-37	6		5-9	2	1561871	5-15	3	1565125	5-25	3
	14-38	6	1556475	9-3	10		5-17	3		5-27	3
1550495	5-51	10		9-5	10	1562088	4-51	23	1565195	3-3	10
1550561	6-36	3		9-9	11		5-7	11	1565407	1-73	11
1550567	6-16	45		9-11	11		5-42	5		4-27	9
	6-27	42	1556623	5-13	16	1562353	1-19	26	1565453	2-17	5

NUMERICAL INDEX (continued)

PART NO.	PAGE	ITEM	PART NO.	PAGE	ITEM	PART NO.	PAGE	ITEM	PART NO.	PAGE	ITEM
	2-19	5		9-11	22	1573152	11-3	1	1578570	1-7	1
	3-3	7	1568079	8-15	23	1573158	11-3	1	1578571	1-7	1
1565832	3-23	5	1568256	9-9	18	1573520	13-3	1	1578572	1-7	7
1565962	1-61	4		9-11	18		13-3	1	1578573	1-7	7
1565964	1-61	5	1568271	8-15	19	1573523	13-3	1	1578574	1-7	2
1566116	5-120	25	1568272	8-15	22	1573525	13-3	1	1578575	1-7	2
	5-124	21	1568839	4-31	15		13-3	1	1578576	1-7	8
	5-128	24		4-33	18	1573527	13-3	1	1578577	1-7	8
	5-131	20		4-37	18		13-3	1	1578617	3-15	4
1566117	5-120	26		4-41	15	1573530	13-3	1	1578619	3-15	2
	5-124	22		4-43	18	1573549	5-9	13	1578620	3-15	3
	5-128	25	1568853	4-31	13		5-45	5	1578705	10-27	16
	5-132	21		4-33	16	1573597	1-63	17		10-29	14
1566146	5-19	5		4-37	16	1573598	1-63	17		10-35	11
	5-21	1		4-41	13	1573599	13-11	1		10-37	14
1566329	6-8	3		4-43	16		13-11	1	1578707	10-25	3
1566420	4-11	18	1569463	7-3	10		13-13	1		10-30	4
	4-15	19		7-5	17		13-13	1		10-33	3
	5-15	20	1569465	1-106	7	1573602	13-11	1		10-38	3
	5-19	22		1-109	4		13-13	1		10-41	7
	5-35	9	1569602	10-35	4	1573604	13-11	1		10-52	2
	5-36	3		10-41	11		13-11	1	1578711	10-46	10
	5-52	2	1569616	9-15	2		13-13	1		10-49	11
1566458	5-32	1		9-17	10		13-13	1		10-51	11
1566459	5-32	2	1569750	3-39	3	1573606	13-11	1	1578712	10-30	3
1566505	2-5	11	1569768	6-8	8		13-11	1		10-41	
	3-7	11	1569973	5-72	19		13-13	1		10-43	2
	3-16	4	1569979	12-24	14		13-13	1		10-45	13
1566565	13-30			13-29	12	1573609	13-11	1	1578713	10-27	2
1566654	2-17	21	1570264	10-3	4		13-13	1		10-29	6
	2-19	23	1570298	9-3	20	1573779	12-3	1		10-35	15
1566726	1-9	7		9-5	20		12-3	1		10-37	6
	14-2	2	1570300	9-9	23	1573785	12-3	1		10-46	2
1566767	1-83	19		9-11	23		12-3	1		10-49	3
1566792	10-59	6	1570303	10-59	5	1573809	12-7	1		10-51	3
1566853	1-9	11	1570360	6-11	9		12-7	1	1578714	10-29	15
	1-69	11		6-25	14	1573815	12-7	1		10-37	15
	1-71	11	1571029	1-78	7		12-7	1		10-51	2
	3-3	11	1571610	1-13	3	1574162	13-7	1	1578746	10-25	7
1566890	10-3	21	1571662	4-11	8		13-7	1		10-30	1
1567328	1-63	3		4-15	5	1574165	13-7	1		10-33	7
1567329	1-61	11	1571673	6-19		1574167	13-7	1		10-38	1
1567469	5-72	21		6-21			13-7	1	1578873	3-19	6
1567470	5-72	21	1572889	1-53	3	1574169	13-7	1	1578875	10-43	5
1567471	5-72	21	1573127	11-3	1		13-7	1		10-45	8
1567821	1-5	13		11-3	1	1574172	13-7	1	1578882	10-46	7
1568039	8-15	24	1573133	11-3	1	1574286	2-14	6		10-49	8
1568075	9-3	18		11-3	1		3-9	28		10-51	8
	9-5	18	1573139	11-3	1	1574301	1-65	11	1578883	10-45	3
1568076	9-9	21		11-3	1		1-69	6		10-46	8
	9-11	21	1573146	11-3	1		1-71	6		10-49	9
1568077	9-9	22		11-3	1	1578545	10-59	6		10-51	9

NUMERICAL INDEX (continued)

PART NO.	PAGE	ITEM	PART NO.	PAGE	ITEM	PART NO.	PAGE	ITEM	PART NO.	PAGE	ITEM
1578887	10-46	11		2-9	16	1581559	12-8	25	1581588	11-4	15
1578888	10-43	4		3-5	10		13-8	20		12-4	27
1578889	10-45	5		3-7	18		13-13	13		13-17	13
	10-46	6	1581068	3-19	26	1581560	12-24	5	1581589	12-8	23
	10-49	6		3-21	6		13-29	8		13-13	11
	10-51	6	1581072	3-19	26	1581561	7-3	9	1581590	12-24	8
1578905	10-46	5		3-21	6	1581562	13-29	18		13-3	20
1578906	10-49	7	1581079	1-61		1581563	13-30	28		13-29	20
	10-51	7	1581098	6-19	8	1581564	10-59	2	1581592	13-7	18
1578922	9-9	25		6-21	8		11-22	10	1581594	11-21	9
	9-11	25		6-31	8		12-8	24	1581733	4-31	28
1578926	3-19	1		6-33	8		13-8	19		4-33	35
	3-21	22		6-35	8		13-13	12		4-37	35
1578940	10-27	1	1581099	6-19	9	1581565	11-21	6	1581739	4-31	29
	10-35	22		6-21	9		13-13	5		4-33	34
	10-45	9		6-31	9		13-29	3		4-37	34
1578943	10-27	4		6-33	9	1581566	11-4	19		12-8	38
	10-35	20		6-35	9		12-4	14		13-14	38
	10-45	11	1581100	6-19	10		12-7	5	1581741	4-53	7
1579403	14-7	6		6-21	10		12-24	16		12-24	10
1579412	14-9	2		6-31	10		13-18	29		13-29	11
1579847	5-51	13		6-33	10	1581567	1-11	3	1581835	12-8	36
1579908	8-11			6-35	10		13-30	30	1581836	13-14	37
	8-13		1581106	6-19	20	1581577	11-22	14	1581848	4-33	31
	10-41	12	1581107	6-19	18		13-29	2		4-37	31
1580027	3-19	18		6-21	18	1581578	11-21	5		4-43	31
1580028	3-19	14		6-31	17		13-13	3		10-59	12
1580097	10-25	2		6-33	17	1581579	4-31	12	1581851	1-61	30
	10-27	25		6-35	18		4-33	39	1581852	1-31	13
	10-33	2	1581108	6-19	7		4-37	39		1-33	12
	10-33	3		6-21	7		4-41	12		1-35	12
	10-38	9		6-31	7		4-43	39		1-39	17
1580131	10-25	3		6-33	7		13-29	19		1-48	28
	10-30	10		6-35	7	1581580	11-8	21		10-59	11
	10-41	7	1581400	4-21	8	1581581	1-61	32	1581858	8-11	37
	10-52	2		4-33	42	1581582	12-7	3		10-25	
1580136	3-19	22		4-37	41	1581583	4-31	4		10-27	24
	3-21	16		4-41	26		4-33	4		10-41	10
1580147	10-29	5	1581438	4-17	11		4-37	4	1581859	10-27	17
	10-37	5	1581556	11-8	20		4-41	4		10-29	12
1580155	10-25			12-8	37		4-43	4	1581860	10-35	8
	10-30	2		12-24	7		11-4	18		10-37	11
	10-38	2		13-3	19		12-4	16	1581861	10-27	12
1580156	10-25			13-13	6		12-24	15		10-35	14
	10-30	2		13-29	17	1581585	11-4	16	1581862	10-43	3
	10-38	2	1581557	4-33	23		12-4	17	1581887	4-33	26
				4-37	23		13-18	30		4-37	26
1580694	10-27	19		4-43	23	1581586	11-4	31		4-43	26
1580695	10-27	22		11-4	14		12-4	23	1581888	4-33	21
1580696	10-27	23	1581558	12-4	18		13-17	10		4-37	21
1580697	10-27	20		13-17	9		13-30	31		4-43	21
1580698	10-27	21		13-17	12	1581587	13-30	27	1581896	11-8	17
1581024	2-7	10									

NUMERICAL INDEX (continued)

PART NO.	PAGE	ITEM	PART NO.	PAGE	ITEM	PART NO.	PAGE	ITEM	PART NO.	PAGE	ITEM
	11-17	6		1-63	6		4-37	32	1590399	3-3	1
	11-19	11		1-65	16		4-43	32	1590488	1-5	18
	12-8	18		1-69	14	1586109	8-4	4	1590839	6-36	13
	13-3	10		1-71	14	1586427	8-19		1590865	6-36	10
	13-11	9		5-27	20	1586428	5-25	16	1590866	6-36	11
	13-14	28		10-13	7		5-27	7	1591666	3-3	9
1581898	4-31	3		10-15	3	1586430	1-5	36	1593334	1-57	24
	4-33	3		10-17	7		5-42	2		4-53	31
	4-37	3		10-19	3		14-8	4	1593341	14-14	5
	4-41	3		14-9	3	1586432	1-7	4	1593391	4-12	6
	4-43	3		14-10	6	1586440	1-19	19	1593629	1-85	21
1582072	1-61	21	1584083	4-31	10	1586495	1-9	4		1-87	38
1582161	10-3	7		4-33	10		1-63	33		1-101	28
1582222	2-21	15		4-37	10		5-25	18	1593845	1-69	4
	2-23	19		4-41	10		5-27	10		1-71	4
	2-25	13		4-43	10		5-27	13	1594314	7-3	4
	2-27	17	1584094	4-31	10		5-36	2		7-17	26
	3-19	8		4-33	10		14-2		1594807	1-19	17
	3-21	11		4-41	10		14-10	6	1594808	1-19	17
1582300	4-47	16		4-43	10	1586627	1-61	25	1594809	1-19	17
	4-49	32	1584129	1-61	34		10-13	22	1595161	1-65	5
1582301	4-47	15	1584130	1-61	35		10-15	13		1-71	
	4-49	31	1584135	1-61	1		10-17	23	1595234	5-42	4
1582302	4-47	16	1584142	1-5	22		10-19	14	1595425	6-19	
	4-49	32	1584143	5-5	5		10-57	12		6-21	
1582303	4-47	15	1584171	4-11	6		14-8	3		6-31	
	4-49	31		4-15	2	1586629	1-11	4		6-33	
1582337	5-48	1	1584632	1-43	9	1586759	5-25	15		6-35	
1582462	2-19	35		1-51	9		5-27	8	1595731	5-42	3
1582464	2-19	26	1584634	1-55	4	1586762	1-61	12	1596421	1-53	6
	3-23	19	1584635	1-55	5	1587778	5-91	36	1596624	1-111	10
	4-49	15	1584638	1-43	11		5-97	36	1596625	1-111	19
	5-5	17		1-51	11		5-103	36	1597381	10-59	10
	5-7	3	1584643	1-47	2		5-109	34	1597410	1-61	2
	5-9	9	1584644	1-55	7		5-115	34	1597412	1-61	3
	5-13	3	1584645	1-55	8	1587872	1-63	21	1597448	2-5	6
	5-47	3	1584654	1-5	27	1588247	1-63	22	1597451	5-42	6
	5-48	3	1585575	9-3	17	1588766	1-61	13	1597705	3-35	1
	5-52	5		9-5	17	1589377	1-21	4	1597837	1-61	23
	5-135			9-9	15	1589397	1-21	5	1597838	1-61	24
	5-137			9-11	15	1589437	1-21	6	1598210	1-78	12
	14-2	7	1585581	1-5	11	1589787	1-65	17	1598220	14-2	4
	14-7	3	1585750	6-25	23		1-69	17	1598283	5-51	2
1582511	10-7	3	1586013	1-13	8		1-71	17	1598291	1-79	33
1583581	1-61	8		3-23	7	1590033	9-3	26	1598295	1-78	4
1583582	1-61	9		4-21	2		9-5	32	1598296	1-79	39
1583583	1-61	10		4-31	30		9-9	32	1598297	1-79	38
1583611	1-5	28		4-33	41		9-11	38	1598301	1-79	36
	1-9	15		4-37	41	1590173	5-19	7	1598302	1-79	35
	1-11	1		4-41	30	1590332	1-63	25	1598327	1-65	19
	1-61	17		4-43	41	1590370	1-5	20		1-69	2
	1-61	37	1586022	4-33	32	1590397	3-3	1		1-71	21

NUMERICAL INDEX (continued)

PART NO.	PAGE	ITEM	PART NO.	PAGE	ITEM	PART NO.	PAGE	ITEM	PART NO.	PAGE	ITEM
1598332	1-81	13		1-71	3	1611542	5-5	19		6-27	24
1598389	1-85	6	1601748	1-19	18	1612214	10-3	28	1615817	3-15	5
	1-87	7	1602431	5-81	34	1612223	5-59	4	1615818	3-15	8
	1-101	6		5-81	35	1612399	5-59	6	1615902	1-65	10
1598390	1-87	30		5-102	19	1613246	1-5	38		1-69	9
1598392	1-85	5		5-105	60	1613324	5-15	8		1-71	9
1598393	1-85	3		5-117	60		5-27	18	1615956	4-31	18
	1-87	17	1603021	5-45	3	1613433	1-7	5		4-33	27
	1-101	17		5-72	12	1613434	1-7	6		4-37	27
1598394	1-85	4		5-79	2	1613469	6-36	1		4-41	18
1598395	1-85	19		5-119	18	1613470	6-36	4		4-43	27
1598397	1-69	20		5-123	9	1613743	1-65	8	1615998	1-95	17
	1-71	20		5-127	11	1613749	4-31	26	1615999	1-95	18
	1-85	16		5-131	7		4-33	36	1616122	5-21	2
1598398	1-87	3		5-135	6		4-37	36	1616222	5-59	5
1598399	1-87	11		5-137	6	1613755	4-31	27	1616379	1-5	25
	1-101	11	1603236	5-45	3		4-33	37	1616482	1-111	7
1598404	1-87	31		5-72	12		4-37	37	1616483	1-111	15
	1-96			5-79	2	1614069	11-27	25	1616484	1-111	8
1598408	1-87	41		5-119	18		11-33	27	1616485	1-111	1
	1-101	21		5-123	9		13-40	26	1617081	1-111	9
1598409	1-87	40		5-127	11		13-45	28	1617082	1-111	14
	1-101	23		5-131	7		14-41	21	1617083	10-3	10
1598410	1-87	35		5-135	6		14-45	21	1617193	1-111	16
	1-101	24		5-137	6	1614230	12-24	21	1617194	1-111	18
1598411	1-87	15	1603285	1-63	26		12-24	21	1617585	10-3	12
	1-101	15	1603487	8-21	1		12-24	21	1617658	10-55	2
1598412	1-87	42	1603488	8-21	1		12-24	21		13-29	13
	1-101	22	1603681	1-13	2	1614236	12-24	21	1618586	7-22	
1598414	1-69	20	1603893	1-63	27		12-24	21		7-23	
	1-71	20	1603959	1-63	28		12-24	21		7-25	5
	1-101	32	1605479	10-57	9		12-24	21		7-29	
1598424	1-83	20	1606544	4-11	41	1614331	12-24	22		8-21	
1598425	1-83	1		5-9	14		12-24	22	1618588	7-22	3
1598504	1-31	12		5-15	26	1614337	12-24	22		7-23	3
	1-33	11		5-20	2		12-24	22		7-24	3
	1-35	15		5-45	4	1614403	12-24	23	1618589	7-22	4
	1-39	16	1606735	5-45	6		12-24	23		7-23	4
	1-47	24	1606750	8-4	7	1614406	12-24	23		7-24	4
1598669	1-87	29	1607745	5-79	12		12-24	23	1620023	9-18	
1598670	1-87	24	1608589	5-25	8	1614409	12-24	23	1620024	9-19	
	1-101	36	1608590	5-25	9		12-24	23	1620142	4-18	3
1598671	1-96	3	1608591	5-27	24	1614412	12-24	23	1620145	4-18	2
1598672	1-96	2	1608592	5-27	16		12-24	23	1622887	6-15	5
1598673	1-96		1608622	8-4	2	1614849	8-15	30		6-27	5
1598674	1-96	1	1608654	5-25	7	1614850	8-15	34	1622935	14-23	12
	1-99	2	1608879	1-5	5	1615149	1-47	4		14-25	12
1598675	1-96	4	1609374	4-51	2	1615240	10-59	1		14-27	10
1599316	10-59	14	1609864	14-13	3	1615671	4-33	30	1622936	14-33	12
1599415	1-9	18	1610975	5-72	19		4-37	30		14-35	12
	1-65	3	1611061	12-7	14		4-43	30	1623050	5-72	16
	1-69	3		13-14	30	1615804	6-15	23		5-81	30

NUMERICAL INDEX (continued)

PART NO.	PAGE	ITEM	PART NO.	PAGE	ITEM	PART NO.	PAGE	ITEM	PART NO.	PAGE	ITEM
1623093	2-17	11	1623400	1-87	32	1623593	7-7	1		13-3	17
	2-19	11		1-101	8	1623634	7-5	34	1626727	5-91	29
	3-23	16	1623402	1-96		1623635	7-5	32		5-91	31
1623155	14-10	2		1-99	3	1623636	7-5	31		5-92	43
1623280	5-135	1	1623403	1-87	28	1623637	7-5	33		5-92	51
	5-137	1	1623404	1-85	2	1623638	7-5	30		5-97	29
1623281	5-135	1		1-91		1623639	7-5	29		5-97	31
	5-137	1	1623406	1-85	18	1623640	7-5	28		5-98	43
1623358	1-75	7		1-87	26	1623643	7-5	23		5-98	51
	1-87	1		1-101	1	1623645	7-5	19		5-103	29
1623359	1-75	5	1623544	7-5	22	1623652	7-5	12		5-103	31
	1-77	18	1623545	7-5	21	1623654	7-5	3		5-104	43
	1-85	1	1623546	7-8	33	1623658	7-5	4		5-104	51
1623364	1-78	15	1623547	7-8	32	1623666	7-5	6		5-109	25
1623365	1-78	1	1623548	7-8	31	1623669	7-11	23		5-109	38
	1-95		1623549	7-8	30	1623670	7-11	22		5-110	49
1623366	1-79	32	1623550	7-8	29	1623671	7-5	42		5-110	54
1623367	1-79	28	1623551	7-8	28		7-11	21		5-110	58
1623369	1-78	22	1623552	7-8	27	1623672	7-11	18		5-115	25
1623370	1-83	15	1623553	7-7	26	1623673	7-11	16		5-115	38
1623371	1-83	7	1623554	7-7	26	1623674	7-11	14		5-116	49
1623377	1-65	4	1623555	7-7	26	1623675	7-11	15		5-116	54
	1-69	5	1623556	7-7	26	1623676	7-11	13		5-116	57
	1-71	5	1623557	7-7	26	1623677	7-11	12	1626734	1-61	26
	1-81		1623558	7-7	26	1623687	7-11	2	1626735	1-61	27
1623380	1-81	7	1623559	7-7	26	1623688	7-11	3	1626774	4-53	14
1623382	1-81	21	1623560	7-7	26	1623690	7-11	5	1627172	1-67	1
	5-27	25	1623561	7-7	26	1623691	7-11	6	1627183	3-33	2
1623391	1-85	8	1623562	7-7	26	1623694	7-11	24	1627196	3-37	1
	1-87	10	1623563	7-7	26	1623695	7-11	20	1627199	3-37	42
	1-101	10	1623564	7-7	26	1623696	7-11	19	1627200	1-21	
1623392	1-87	19	1623565	7-7	26	1623817	7-7	8	1627345	3-23	11
	1-93		1623566	7-7	26	1624401	6-15	31	1627349	3-35	12
	1-101	29	1623567	7-7	26		6-27	30	1627453	6-15	4
1623393	1-85	10	1623568	7-7	24	1624406	6-15	30		6-27	4
	1-87	18	1623572	7-7	21		6-27	29	1627465	6-15	41
	1-101	18	1623573	7-7	20	1624408	6-15	6		6-27	39
1623395	1-77	13	1623574	7-7	19		6-27	6	1627788	7-7	22
	1-87	4	1623575	7-7	8	1624861	10-5	6	1627789	7-7	22
	1-101	4	1623578	7-7	9	1624862	10-5	4	1627790	7-7	22
1623396	1-65	4	1623579	7-7	17	1624863	10-5	5	1627791	7-7	23
	1-65	10	1623580	7-7	10	1624865	10-5	2	1627792	7-7	25
	1-69	5	1623581	7-7	11	1624866	10-5	10	1627793	7-7	2
	1-69	9	1623582	7-7	18	1624867	10-5	11	1627794	7-7	3
	1-71	5	1623583	7-7	16	1624868	10-5		1627799	7-5	35
	1-71	9	1623584	7-7	14	1624869	10-5	8	1627800	7-5	27
	1-83	12	1623585	7-7	15	1624992	10-5	8	1627802	7-5	20
	1-85	17	1623586	7-7	13	1625255	5-42	1	1627803	7-5	16
1623398	1-87	12	1623587	7-7	12	1626353	7-3	3	1627804	7-5	15
	1-101	12	1623590	7-7	4		9-21	16	1627805	7-5	14
1623399	1-87	13	1623591	7-7	5	1626478	5-42	9	1627806	7-5	13
	1-101	13	1623592	7-7	6	1626490	11-8	16	1627812	7-5	10

NUMERICAL INDEX (continued)

PART NO.	PAGE	ITEM	PART NO.	PAGE	ITEM	PART NO.	PAGE	ITEM	PART NO.	PAGE	ITEM
1627813	7-5	11	1635126			1636120	1-31	12	1641945	5-71	3
1627814	7-5	25	1635127				1-33	11	1641947	5-71	4
1627815	7-5	36	1635128				1-35	15	1641949	5-71	1
1627816	7-5	36	1635129				1-39	16	1643342	2-7	9
1627817	7-5	5	1635133				1-47	24		2-9	15
1627818	7-5	8	1635134			1636626	6-27	9		3-5	9
1627819	7-5	2	1635135			1636630	6-25	1		3-7	23
1627820	7-5	18	1635136			1636640	6-15	1		3-9	21
1627822	7-11	11	1635137				6-27	1	1643935	5-5	20
1627823	7-11	1	1635138			1636643	6-11	15	1643937	5-5	20
1627825	7-11	9	1635139			1636645	6-11	21	1644398	4-51	24
1627826	7-11	8	1635140				6-25	27		5-17	10
1627827	4-33	30	1635141			1636647	1-65	9	1644455	7-11	4
	4-37	30	1635142				1-69	19	1644456	7-11	10
	4-43	30	1635143				1-71	19	1644462	7-5	1
1627836	7-11	17	1635144			1636853	1-65	18	1644463	7-5	7
1627837	7-11	7	1635522				1-69	12	1644804	1-91	1
1627925	7-7	8	1635523				1-71	12		1-93	5
1627927	7-7	8	1635524			1636862	5-34	1	1644915	8-21	1
1628118	5-19	23	1635525			1637285	1-47	5	1645381	9-3	1
1628690	1-19	17	1635526			1637397	9-15	26		9-5	1
1629155	10-41	10	1635527			1637399	9-21	13		9-9	1
1629185	14-13	1	1635528			1638500	4-11	9		9-11	1
1632294	5-19	13	1635529				4-15	4	1646397	9-3	1
1632741	6-15	32	1635530			1638793	6-11	20		9-5	1
	6-27	31	1635531				6-25	26		9-9	1
1632865	5-96	17	1635532			1638799	6-15	9		9-11	1
	5-96	22	1635533			1638961	7-3	8	1646439	9-3	1
	5-98	54	1635534			1639863	6-35	20		9-5	1
	5-99	58	1635535			1639864	6-33	19		9-9	1
	5-102	17	1635536			1639866	6-31	19		9-11	1
	5-104	54	1635537			1640531	5-17	8	1646441	10-59	13
	5-105	58	1635538				5-31	3	1646456	3-19	16
	5-108	17	1635539			1640573	6-10	5		5-17	13
	5-109	42	1635540				6-22	6		5-28	1
	5-110	47	1635541			1640776	1-11	3	1646457	5-17	4
	5-110	56	1635542			1640818	5-31	4		5-82	56
	5-114	17	1635543			1641353	7-5	37	1646709	1-67	
	5-115	42	1635544			1641354	7-5	39	1646710	1-67	
	5-116	47	1635545			1641355	7-5	38	1646711	1-67	3
1634462	13-17	8	1635546			1641356	7-5	40	1646712	1-67	4
1634463	13-17	8	1635547			1641361	7-7	22	1646713	1-67	5
1635003	1-78	3	1635548			1641362	7-7	7	1646714	1-67	2
1635026	1-81	11	1635549			1641368	5-5	4	1646717	1-67	4
1635118			1635550			1641394	14-10	2	1646718	1-67	5
1635119			1635551			1641637	1-95	4	1646719	1-67	2
1635120			1635552			1641640	1-91	3	1646720	1-67	3
1635121			1635553				1-93	7	1646722	1-81	10
1635122			1635554				1-95	5	1646725	1-81	1
1635123			1635652	1-65	14	1641937	5-71	5	1646726	1-81	6
1635124				1-69	15	1641938	5-71	5	1646728	1-81	19
1635125				1-71	15	1641944	5-71	3	1646729	1-81	17

NUMERICAL INDEX (continued)

PART NO.	PAGE	ITEM	PART NO.	PAGE	ITEM	PART NO.	PAGE	ITEM	PART NO.	PAGE	ITEM
1646730	1-81	20		6-33		1660453	7-17	9	1666746	4-17	17
1646731	1-83	11		6-35		1660500	6-25	6	1668335	1-13	6
1646732	1-83	10	1652140	14-17	1		6-36	7	1668428	2-23	17
1646733	1-83	13	1652269	6-31		1660533	7-15	15		2-27	15
1646884	6-25	20		6-33		1660536	7-15	15		2-33	20
	6-31			6-35		1660913	2-17	10		2-35	30
1646885	6-25	21	1652272	6-19			2-19	10	1668665	1-67	
	6-33			6-21			3-23	13	1668666	1-65	4
1646886	6-25	19	1652290	14-5	1	1661511	1-57	2		1-69	5
	6-35		1652575	6-11	6		1-57	11		1-71	5
1646887	6-11	17		6-27	27		1-59	2	1668667	1-65	4
	6-19		1653508	5-71	9		1-59	11		1-69	5
1646888	6-11	16		5-71	10	1661564	1-65	19		1-71	5
	6-21		1653510	5-71	1		1-69	2	1668854	7-15	6
1646920	7-11	20	1653630	1-78	6		1-71	21	1669384	7-13	32
1646922	1-81	11	1653815	6-16	46	1661567	1-65	4	1670054	10-25	1
1647656	7-5	24		6-27	44		1-69	5		10-33	1
1647864	14-36	3	1653887	3-31	9		1-71	5	1670064	11-19	4
	14-37	3	1653888	3-31	1	1661665	4-17	8		12-27	4
	14-38	3		3-35	20	1662253	4-21	20		12-27	4
	14-41	3	1654004	6-11	3		4-23	10		12-31	4
	14-43	3		6-25	8	1662420	10-13	17		13-35	4
	14-45	3	1654013	5-25	6		10-15	10		14-19	13
1648259	5-45	7		5-27	4		10-17	15		14-21	11
	10-63	10		14-5			10-19	11		14-29	7
	10-64	10	1654156	4-47	7	1663877	2-7	15		14-31	7
1649534	7-5	9		4-49	26		2-9	20	1670065	11-19	5
1649565	4-31	8	1654415	3-23	15		3-5	15		12-27	5
	4-33	6	1654465	8-19	1		3-7	22		12-31	5
	4-37	6	1654480	3-37	17		3-9	25		13-35	5
	4-41	8	1654481	3-37	16	1664395	10-45	6		14-19	18
	4-43	6	1654651	6-11	1		10-46	9		14-29	12
1650184	4-3	22		6-25	9		10-49	10		14-31	12
	4-5	16	1654754	4-47	5		10-51	10	1670194	10-13	1
	4-7	22		4-49	24	1664474	2-23	14	1670195	10-13	14
	4-17	13	1655119	5-73	25		2-27	12	1670196	10-17	13
1650522	5-71	3	1655120	5-73	25		2-33	26	1670240	1-69	1
1650640	1-57	19	1655121	5-73	25		2-35	28		1-75	
	1-59	17	1655865	1-57	3	1664475	2-27	13		1-85	
1650668	3-19	27		1-57	12	1664478	2-23	15		1-87	
	3-21	5		1-59	3	1664482	2-21	18	1670242	1-65	1
1650797	5-71	9		1-59	12		2-25	16		1-67	
	5-71	10	1656215	14-8	2	1664489	4-3	23	1670292	10-15	4
1650819	6-36	7	1656216	14-8	2		4-5	1	1670293	10-19	4
1651739	1-87	2	1656325	4-31	7		4-7	23	1670332	9-18	1
	1-101	3		4-33	5	1664940	14-17		1670334	9-18	2
1651753	6-33	2		4-37	5	1665204	6-10	4	1670413	10-21	4
1651761	6-19	19		4-41	7		6-22	1	1670421	1-95	10
	6-21	20		4-43	5		6-36		1670422	1-95	19
1651797	14-14	2	1658075	5-42	10	1665746	10-15	1	1670423	1-95	13
1651850	5-72	18	1658142	10-43	3	1665747	10-19	1	1670427	1-95	6
1651852	6-31		1660452	7-17	9	1665748	10-17	1	1670428	1-95	7

NUMERICAL INDEX (continued)

PART NO.	PAGE	ITEM	PART NO.	PAGE	ITEM	PART NO.	PAGE	ITEM	PART NO.	PAGE	ITEM
1670429	1-95	8	1674106	1-81	18	1683747	3-37	35		1-33	5
1670430	1-95	20	1674107	1-83	16	1683749	3-35	3	1691525	6-3	12
1670431	10-25	5	1674108	1-83	14	1684275	2-13	11		6-5	13
	10-29	1	1674112	1-81	22		3-12	11		6-7	9
1670434	10-25	1	1675460	7-13	22	1684429	7-3	12	1692229	9-18	1
	10-33	1	1676093	2-10	2		7-17	23	1692643	7-17	16
1670440	1-95	15		2-13	3	1684542	5-7	10	1692931	11-31	5
1670443	1-95	2		3-11	2	1687376	4-21			11-33	5
1670445	10-27	8		3-12	3		4-23			12-39	5
	10-35	5	1676908	6-10	6		4-31			12-41	5
1670518	1-95	16		6-22	9		4-34			13-43	5
1670519	1-95	3	1676923	3-35	27		4-38			13-45	5
1670520	1-95	11	1677255	7-17	25		4-41		1692932	11-31	6
1670521	1-95	14	1677286	1-31	19		4-44			11-33	6
1670522	10-35	21		1-33	20	1687377	4-21			12-39	6
1670524	1-95	1		1-36	31		4-31			12-41	6
1670525	1-95	9		1-47	9		4-34			13-43	6
1670526	1-95	12	1677385	4-8	2		4-38			13-45	6
1670533	10-25	6	1677428	1-19	6		4-41		1692933	11-25	5
	10-29	2	1677876	3-37	15	1687534	10-45	7		11-27	5
1670677	10-13	5		5-31	6		10-46	10		12-33	5
	10-17	5	1678059	7-15	3		10-49	12		12-35	5
1670900	10-59	15	1678165	10-23	5		10-51	12		13-37	5
1670901	10-59	16	1678215	4-9	2	1688187	7-29	1		13-40	5
1670902	10-59	17	1678327	3-9	5	1688188	7-29	1	1693291	1-71	1
1671271	3-35	26	1682752	4-21	3	1688190	7-29	1		1-73	
1672004	9-18	2		4-31	31	1688244	1-63	20		1-77	
1672068	7-15	5		4-33	40	1688503	9-3	21	1693371	5-15	19
1672069	7-17	22		4-37	40		9-5	21		5-52	3
1672079	7-13	25		4-41	31		9-9	9	1693444	1-55	2
1672293	7-15	34		4-43	40		9-11	26	1693705	2-10	9
1672691	7-17	12	1682828	1-111	13	1688547	4-18	4		2-13	13
1672693	7-17	18	1682835	5-19	12	1688719	4-33	30		3-7	8
1673001	7-15	19	1683374	7-13	36		4-37	30		3-11	9
1673002	7-15	18	1683375	7-13	33		4-43	30		3-12	13
1673198	6-3	5	1683486	9-3	8	1688803	4-21		1694830	1-31	18
	6-5	4		9-5	24		4-31	38		1-33	19
1673981	3-3	2		9-9	8		4-37	42		1-35	26
1674069	1-75	1		9-11	28		4-41	27	1695326	7-18	5
1674070	1-75	6		9-21	5		4-43	42	1695754	10-23	4
1674072	1-65			9-23	3	1689026	3-31	7	1695807	14-13	1
1674073	1-87	23	1683525	7-13	21	1689294	4-3	1	1696451	2-21	10
	1-101	35	1683529	10-21	1	1689459	7-5	26		2-23	10
1674087	1-78	24	1683530	7-17	24	1689504	1-19	30	1698449	5-55	9
1674088	1-79	29	1683621	10-21	2	1689544	4-21	15		5-55	20
1674089	1-78	21	1683651	7-15	14		4-23	5		5-57	9
1674090	1-78	17	1683673	1-111	11	1689908	1-67	7		5-57	20
1674101	1-78	8	1683675	3-37	3	1690267	3-37	41	1698541	5-27	14
1674102	1-81	15	1683720	3-37	37	1690792	1-85		1698542	5-27	21
1674103	1-81	9	1683722	3-37	37		1-91	7	1699135	2-7	3
1674104	1-81	23	1683744	3-37	31		1-93	2		2-9	3
1674105	1-81		1683746	3-37	29	1690995	1-31	5		3-5	3

NUMERICAL INDEX (continued)

PART NO.	PAGE	ITEM	PART NO.	PAGE	ITEM	PART NO.	PAGE	ITEM	PART NO.	PAGE	ITEM
	3-7	3		1-47	7	1707195	10-9		2021395	1-63	13
	3-9	4	1703893	1-35	5	1707207	3-23		2021683	4-12	2
1699141	6-15	35		1-39	5	1708350	1-5	26	2022352	7-17	19
	6-27	34		1-45	1	1708351	1-111	20	2027655	1-63	9
1699754	5-91	38		1-47	8	1708365	11-27	7	2028341	7-3	8
	5-97	38	1703894	1-35	5		11-33	9	2033243	11-11	3
	5-103	38		1-39	5		12-35	7		13-21	3
	5-109	30		1-45	4		12-41	9	2033281	11-13	3
	5-115	30	1703895	1-36			13-40	7	2033295	12-11	11
1699955	12-27	1		1-40			13-45	9	2033296	12-15	11
1699992	9-3	4		1-48			14-41	4	2033299	11-13	3
	9-5	4	1703896	1-36			14-43	4		13-21	3
	9-9	4		1-40			14-45	4	2033395	12-19	9
	9-11	4	1703897	1-36		1708368	11-27	12	2033612	1-73	7
1699995	12-27	1		1-40			11-33	14	2034460	1-19	1
1700060	13-33	1	1703898	1-35	2		12-35	12	2035044	8-21	2
1700217	13-33	1		1-39	2		12-41	14	2035316	10-61	8
1700460	5-119	15	1703899	1-35	3		13-40	12	2035317	10-61	8
	5-119	19		1-39	3		13-45	14	2035318	10-61	8
	5-123	13		1-47	5		14-41	9	2035667	11-17	
	5-123	14	1703900	1-35	1		14-43	9	2035669	11-17	
	5-127	13		1-39	1		14-45	9	2035670	11-17	
	5-127	15		1-47	5	1708371	3-19	5	2035671	11-17	
	5-131	9	1703901	1-35	2		3-21	12	2035672	11-17	
	5-131	11		1-39	2	1708373	11-27	14	2035784	11-11	
1700461	5-119	15	1703902	1-35	3		11-33	16	2035785	11-14	
	5-119	19		1-39	3		12-35	14	2035786	11-14	
	5-123	13		1-47	5		12-41	16	2035791	11-21	7
	5-123	14	1703903	1-35	1		13-40	14		12-24	9
	5-127	13		1-39	1		13-45	16		13-29	10
	5-127	15		1-47	5		14-41	11	2036209	11-13	6
	5-131	9	1703904	1-35	6		14-43	11	2036210	11-13	6
	5-131	11		1-39	6		14-45	11	2036277	13-22	
1701768	9-21	3	1704528	5-55	11	1708540	2-23	23	2036278	13-22	
	9-23	3		5-55	11		2-27	21	2036279	12-20	
1701771	9-9	24		5-55	11		3-19	25		13-26	
	9-11	24		5-57	11		3-21	1	2036282	12-19	3
1701963	1-99	5		5-57	11	1708691	10-9	8		13-25	3
1702466	10-25	4	1704529	5-55	13	1708697	10-9	1	2036479	13-22	11
	10-27			5-57	13	1709587	5-55	8	2036547	10-61	14
1703472	6-10		1704901	9-9	27		5-57	8	2036778	13-8	22
	6-11			9-11	31	1709876	1-31	6	2037706	11-19	
	6-15		1704902	9-3	13		1-33	6	2037833	12-19	2
1703573	7-5	41		9-5	13	1709980	1-61	7		13-25	2
1703650	4-3	1	1705156	1-81	11	1709996	3-19	4	2037836	13-25	2
1703890	1-43	8	1705359	5-55	12		3-21	9	2037837	12-19	2
	1-51	8		5-55	12	1710006	1-61	6		13-25	2
1703891	1-43	1		5-57	12	1710007	1-63	14	2037838	13-25	2
	1-51	1		5-57	12	2021353	9-3	3	2037840	13-25	2
1703892	1-35	4	1706693	7-15	26		9-5	3	2037841	13-21	2
	1-39	4	1707011	9-3	19		9-9	3	2037845	13-21	2
	1-45	8		9-5	19		9-11	3	2037846	13-21	2

NUMERICAL INDEX (continued)

PART NO.	PAGE	ITEM	PART NO.	PAGE	ITEM	PART NO.	PAGE	ITEM	PART NO.	PAGE	ITEM
2037856	13-21	2	2060033	5-3	11		5-9	7			11-21
2037858	13-21	2	2060198	5-9	6	2069381	5-60	1	2071824		11-3
2037859	13-21	2	2060555	5-60	1	2069431	5-3	4			11-7
2037860	13-21	2		5-71	8	2069454	1-9	6			11-21
2037861	13-21	2	2061333	5-79	7	2069464	1-111	6	2071830		11-3
2037943	14-21	1		5-80	22	2069951	2-17	6			11-7
	14-23			5-81	25		2-19	6			11-21
2037944	14-21	1		5-81	27		3-3	6	2071837		11-3
	14-23		2061646	10-63	11	2070147	6-8	4			11-7
2037945	14-31	1		10-64	11	2070223	1-9	5			11-21
	14-33		2062074	12-19	2		14-2	2	2071843		11-3
2037946	14-31	1		13-25	2	2070263	6-10	3			11-7
	14-33		2062079	12-19	2		6-22	5			11-21
2037947	14-27			13-25	2		6-25	12	2071849		11-3
2037948	14-25		2062081	13-25	2		6-36	14			11-7
2037951	14-21		2062535	10-61	8	2070561	5-25	11			11-21
2037952	14-21		2062718	5-51	8		5-27	23	2071871		13-3
2037953	14-31		2062875	1-57	16	2070562	5-25	10			13-7
2037954	14-31			1-59	28		5-27	17			13-11
2037955	14-19		2063017	3-25	2	2070563	5-25	10			13-13
2037956	14-19		2063255	4-15	16		5-25	11			13-29
2038100	1-21	3	2063842	4-47	12	2070655	1-23		2071873		13-29
2038594	14-19			4-49	19		10-17		2071874		13-3
2038595	14-27		2063991	10-13	24		10-19	10			13-7
2038596	14-19			10-15	15	2070678	4-23	1			13-11
2038599	14-25			10-17	25	2070726	1-63	19			13-13
2038675	12-11	7		10-19	16	2070975	1-63	18			13-29
	12-15	7	2064554	8-16		2071001	1-109	1	2071876		13-3
2038676	12-12			9-3		2071094	8-19	2			13-7
	12-16			9-5		2071181	4-47	1			13-11
2044372	10-61	11		9-9		2071261	4-8	3			13-13
2044712	5-27	25		9-12		2071517	4-21	5			13-29
	5-39	1	2064929	14-7	1		4-31	35	2071878		13-3
2046871	11-5	42	2065666	1-63	2		4-33	44			13-7
	11-27	26	2065667	1-63	8		4-37	44			13-11
	11-33	28	2065745	5-5	22		4-41	35			13-13
	13-17	15	2065797	1-111	3		4-43	44			13-29
	13-40	27	2065826	1-111	5	2071647	1-10	1	2071881		13-3
	13-45	29	2065827	1-111	4	2071745	11-3				13-7
	14-41	22	2065889	12-20			11-7				13-11
	14-45	22		13-26			11-21				13-13
2047829	8-19	9	2066482	5-3	12	2071750	11-3		2071898		13-3
2050732	7-17	20	2066483	5-3	4		11-7				13-7
2050733	7-17	21	2066484	5-3	5		11-21				13-11
2056824	5-25	1	2066485	5-3	3	2071756	11-3				13-13
	5-27	1	2067475	1-63	29		11-7				13-29
2057948	5-3	8	2067476	4-17	18		11-21		2071900		13-29
2058110	5-48	4	2068337	10-3	2	2071763	11-3		2071901		13-29
2058111	5-48	6		10-9	6		11-7		2071903		13-3
2058909	5-9	6	2068342	5-7	5		11-21				13-7
2059895	4-21	11	2068343	5-9	7	2071818	11-3				13-11
2060032	5-3	6	2068344	5-7	5		11-7				13-13

NUMERICAL INDEX (continued)

PART NO.	PAGE	ITEM	PART NO.	PAGE	ITEM	PART NO.	PAGE	ITEM	PART NO.	PAGE	ITEM
	13-29		2073859	13-21		2075067	11-11	1		12-24	18
2071905	13-3		2073874	13-21		2075075	11-11	1	2079281	5-47	4
	13-7		2073888	13-21	1	2075089	11-13	1	2079326	5-9	12
	13-11		2073891	13-21	1	2075095	11-13	1		5-45	1
	13-13		2073893	13-21	1	2075101	11-13	1	2079369	8-4	6
	13-29		2073895	13-21	1	2075108	11-13	1	2079735	10-3	22
2071931	12-3		2073898	13-21	1	2075114	11-13	1	2079736	10-3	14
	12-7		2073912	13-21		2075127	11-11	2	2079843	5-47	15
2071937	12-3		2073917	13-21		2075133	11-11	2	2080376	4-53	5
	12-7		2073919	13-21		2075140	11-11	2	2081137	10-61	
2071969	12-3		2073932	13-21	1	2075151	11-13	2	2081138	10-61	
	12-7		2073937	13-21	1	2075157	11-13	2	2081840	4-12	1
2071975	12-3		2073939	13-21	1	2075163	11-13	2	2081865	10-3	8
	12-7		2073953	12-11		2075165	11-13	2	2082190	10-61	15
2072080	13-8	25	2073968	12-11		2075171	11-13	2	2082680	1-19	15
	13-8	25	2073992	12-11		2075417	1-19	16	2083195	12-24	19
2072083	13-8	25	2073998	12-11		2075442	11-11	2		12-24	19
2072085	13-8	25	2074022	12-11	1	2075614	1-19	13	2083196	12-24	19
	13-8	25		12-11	1	2075655	1-19	22		12-24	19
2072087	13-8	25		12-15	1	2075761	11-13	2	2083201	12-24	19
	13-8	25		12-15	1	2075791	11-13	1		12-24	19
2072090	13-8	25	2074042	12-11	1	2075819	11-13		2083202	12-24	19
2072127	12-4	26		12-11	1	2076134	1-111	2		12-24	19
	12-4	26		12-15	1	2076171	1-19	14	2083261	11-21	1
2072133	12-4	26		12-15	1	2076204	1-63	19		11-21	1
	12-4	26	2074087	12-15		2076289	1-7	3	2083267	11-21	1
2072157	5-19	1	2074093	12-15		2076527	6-22	7		11-21	1
2072202	3-19	9	2074126	12-15		2076637	4-17	14	2083273	11-21	1
	3-21	21	2074138	12-15		2076695	5-3	2		11-21	1
2072298	4-21	10	2074210	1-21	9	2076696	5-3	2	2083279	11-21	1
2072819	3-5	24	2074256	1-19	5	2076760	2-7	26		11-21	1
	3-7	16	2074436	1-10	2	2076763	10-63	12	2083282	11-21	1
2072821	3-9	15	2074437	1-10	2		11-5	44	2083335	10-3	3
2072827	3-5	21	2074438	1-10	2		12-4	42	2083389	7-26	1
2072829	3-9	16	2074439	1-10	2		13-18	31	2083390	7-26	1
2073198	1-19	20	2074440	1-10	3	2077209	1-61	22	2083432	13-29	1
2073257	12-19	1	2074441	1-10	3	2077604	9-3	1	2083434	13-29	1
	13-25	1	2074442	1-10	3		9-5	1	2083435	13-29	1
2073261	13-25	1	2074443	1-10	3		9-9	1	2083437	13-29	1
2073263	12-19	1	2074622	11-11			9-11	1	2083439	13-29	1
	13-25	1	2074629	11-11		2078335	4-53	10	2083459	13-29	1
2073265	13-25	1	2074637	11-11		2078353	3-19	9	2083461	13-29	1
2073269	13-25	1	2074645	11-11			3-21	21	2083462	13-29	1
2073626	12-19	1	2074702	4-49	1	2078399	13-22	13	2083464	13-29	1
	13-25	1	2074740	1-19	15		13-22	13	2083466	13-29	1
2073634	12-19	1	2074895	11-13		2078657	12-24	18	2083523	7-26	2
	13-25	1	2074901	11-13			12-24	18	2083524	7-26	2
2073636	13-25	1	2074954	11-13		2078663	12-24	18	2083525	7-26	2
2073768	9-15	17	2074962	11-13			12-24	18	2083526	7-26	2
2073852	13-21		2074968	11-13		2078688	12-24	18	2083528	7-26	2
2073856	13-21		2075005	11-11	1		12-24	18	2083537	7-22	2
2073857	13-21		2075011	11-11	1	2078694	12-24	18		7-24	2

NUMERICAL INDEX (continued)

PART NO.	PAGE	ITEM	PART NO.	PAGE	ITEM	PART NO.	PAGE	ITEM	PART NO.	PAGE	ITEM
2083538	7-23	2	2088907	11-31	1		11-27	4		14-43	1
	7-24	2		11-33	1	2093183	11-25	1	2093662	14-37	2
2083539	7-24	2	2088908	11-31	2		11-27	1		14-43	2
2083540	7-22	2		11-33	2	2093184	11-25	2	2093663	14-37	1
	7-24	2	2088909	11-31	3		11-27	2		14-38	1
2083541	7-23	2		11-33	3	2093185	11-25	3		14-43	1
	7-24	2	2088910	11-31	4		11-27	3		14-45	1
2083542	7-24	2		11-33	4	2093186	11-25	4	2093664	14-37	2
2083634	3-15	9	2088913	10-57	6		11-27	4		14-38	2
2083998	14-33		2088916	10-3	24	2093187	14-36	1		14-43	2
	14-35	18	2088997	5-29			14-41	1		14-45	2
2083999	14-23		2089201	1-63	11	2093188	14-36	2	2093665	12-39	1
	14-25		2089202	1-63	12		14-41	2		12-41	1
	14-27		2089674	12-24	20	2093189	14-36	1		13-43	1
2084703	5-51	10		12-24	20		14-41	1		13-45	1
2084867	10-55	13	2089685	12-24	20	2093190	14-36	2	2093666	12-39	2
2085129	6-19	6		12-24	20		14-41	2		12-41	2
	6-21	6	2089690	12-24	20	2093225	1-19	11		13-43	2
	6-31	6		12-24	20	2093345	14-31	22		13-45	2
	6-33	6	2089691	12-24	20	2093346	14-31	21	2093667	12-39	3
	6-35	6		12-24	20	2093347	14-21	22		12-41	3
2085232	8-15	27	2090051	3-25	5	2093348	14-21	21		13-43	3
	8-19		2090185	9-15	24	2093349	14-19	28		13-45	3
2085566	10-61		2090425	6-5	8	2093350	14-19	29	2093668	12-39	4
2085878	1-27	4	2090613	5-5	10	2093351	14-29	27		12-41	4
2085879	1-27	8		5-39		2093352	14-29	28		13-43	4
2085880	1-27	9	2090695	1-65	12	2093469	5-19	16		13-45	4
2085881	1-27	10		1-69	7	2093653	12-33	1	2093669	13-37	1
2085882	1-29	1		1-71	7		12-35	1		13-40	1
2085885	1-29	2	2090894	9-15	13	2093654	12-33	2	2093670	13-37	2
2085886	1-29	3	2090895	9-15	16		12-35	2		13-40	2
2085887	1-29	8	2091015	9-15	6	2093655	12-33	3	2093671	13-37	3
2085888	1-29	5		9-17	3		12-35	3		13-40	3
2085889	1-29	4	2091149	9-15	19	2093656	12-33	4	2093672	13-37	4
2085890	1-29	10	2091513	9-15	14		12-35	4		13-40	4
2085891	1-29	6	2091515	9-15	21	2093657	12-33	1	2093677	14-38	1
2085892	1-29	9	2091868	14-13	4		12-35	1		14-45	1
2085893	1-29	7	2092505	9-21	8		13-37	1	2093678	14-38	2
2085942	5-59	1	2092506	9-21	7		13-40	1		14-45	2
	5-137		2092613	9-5	25	2093658	12-33	2	2094192	12-11	
2085943	5-59	1		9-11	33		12-35	2		12-15	
	5-135		2092888	9-3	30		13-37	2	2094420	2-5	14
2086157	10-55	14		9-5	7		13-40	2	2094582	5-17	11
2086556	1-27	1		9-9	34	2093659	12-33	3	2094938	10-61	
2086557	1-27	2		9-11	7		12-35	3	2095889	4-18	
2086558	1-27	3	2093179	11-25	1		13-37	3	2096902	1-111	4
2086559	1-27	7		11-27	1		13-40	3	2096903	1-111	5
2086560	1-27	5	2093180	11-25	2	2093660	12-33	4	2097662	5-5	6
2086561	1-27	6		11-27	2		12-35	4	2098082	5-25	5
2087925	11-21	1	2093181	11-25	3		13-37	4		5-27	6
2088763	2-17	8		11-27	3		13-40	4	2098083	5-25	4
	2-19	8	2093182	11-25	4	2093661	14-37	1		5-27	5

NUMERICAL INDEX (continued)

PART NO.	PAGE	ITEM	PART NO.	PAGE	ITEM	PART NO.	PAGE	ITEM	PART NO.	PAGE	ITEM
2098084	5-27	22	2100710	5-47	3	2105890	10-25			14-45	12
2098085	5-27	22	2101124	7-17	7	2105891	10-25	1	2111755	11-27	15
2098086	5-25	4	2101125	7-17	2	2105892	10-25	1		11-33	17
2098087	5-25	4	2101126	7-17	3	2106024	7-29	2		12-35	15
2098326	10-3	16	2101127	7-17	4	2107158	8-21	1		12-41	17
2098330	1-63	1	2101128	7-17	5	2107382	5-25	4		13-40	15
2098883	3-5	20	2101129	7-17	6		5-27	5		13-45	17
	3-7	14	2101862	5-25	19	2107383	5-27	22	2111769	5-55	7
	3-11	5		5-85		2107384	5-27	22		5-57	7
	3-12	4	2102313	2-9	1	2107385	5-25	4	2111770	5-55	17
2098884	3-5	20		3-7	6	2107386	5-25	4		5-57	17
	3-7	14	2102513	1-61	29	2107957	1-63	10	2111799	5-55	6
	3-11	7	2102514	1-61	28		5-27	1		5-57	6
	3-12	12	2102566	8-11		2107958	1-63	30	2111800	5-55	15
2098998	4-3	1		10-25	8		5-27	1		5-57	15
2099393	10-13	20		10-33	8	2107969	1-31	15	2307400	1-21	1
	10-15	6	2102640	1-25	1		1-33	17	2308673	1-19	3
	10-17	21	2102887	4-8	1		1-36	28	2314223	9-3	1
	10-19	9		4-9	1	2108249	5-55	5		9-5	1
2099394	10-13	19	2102984	3-7	13	2108677	6-5	1		9-9	1
	10-15	7	2103428	2-21	14	2109343	12-27			9-11	1
	10-17	20		2-23	18	2109348	12-27		2314741	5-80	22
	10-19	8		2-25	12	2109388	13-33			5-81	27
2099395	10-15	8		2-27	16	2109423	13-33		2314768	5-73	22
	10-17	19	2103501	8-3	2	2109666	5-31	1	2314770	5-81	27
	10-19	7	2103627	4-3	1	2110791	5-55	2	2314771	5-73	22
2099396	10-19	6	2103735	7-29	2		5-55	3	2314772	5-80	22
2099397	10-17	18	2103985	10-57	3		5-55	4	2314773	5-80	22
2099398	10-13	18	2104075	8-3	1		5-57	2	2314800	5-75	17
2099761	7-3	1	2104429	10-55	4		5-57	3		5-81	31
	7-5		2104448	8-21	6		5-57	4	2781075	5-13	9
	7-7		2104508	12-19			5-57	5	2787350	5-60	1
	7-11			13-25		2110792	5-55	4	2795583	5-60	1
2099762	7-3	1	2104514	12-19			5-57	5	4000086	2-7	3
	7-5			13-25		2110793	5-55	3		2-9	3
	7-7		2104516	13-25			5-57	3		3-5	3
	7-11		2104542	12-19		2110942	5-55	19		3-7	3
2099763	7-3	1		13-25			5-57	19		3-9	4
	7-5		2104546	13-25		2110943	5-55	18	4000912	7-21	1
	7-7		2104548	12-19			5-57	18	4001029	10-3	1
	7-11			13-25		2111004	5-7	1		10-9	
2099764	7-3	1	2104550	13-25			5-9	3	4001358	5-73	25
	7-5		2104554	13-25		2111005	5-7	1	4002494	1-105	5
	7-7		2104843	8-21	2		5-9	3	4002495	1-105	6
	7-11		2104947	12-12		2111754	11-27	15	4002682	1-31	7
2099947	1-35	8		12-16			11-33	17		1-33	7
	1-39	8	2105639	10-3	27		12-35	15	4002921	10-10	2
	1-47	14		10-63	4		12-41	17	4003079	1-105	2
2099949	1-35	18		10-64	4		13-40	15	4003165	10-7	9
	1-47	17	2105803	4-21	15		13-45	17	4003753	10-7	4
2099950	1-35	17		4-23	5		14-41	12	4003844	2-13	8
	1-47	22	2105888	10-25			14-43	12		3-12	8

NUMERICAL INDEX (continued)

PART NO.	PAGE	ITEM	PART NO.	PAGE	ITEM	PART NO.	PAGE	ITEM	PART NO.	PAGE	ITEM
4004150	1-103	1	4009734	1-5	37	4013871	7-13	30	4019104	4-26	6
4004163	1-103	9	4009737	8-15	15	4013888	7-15	28	4019105	4-26	8
4004167	1-103	10	4009779	1-91	10	4013915	1-55	3	4019106	4-26	9
4004168	1-103	11		1-93	8	4014164	6-5	9	4019107	4-26	12
4004390	10-7	20	4009782	1-91	5	4014257	7-13	31	4019117	4-27	5
4004775	1-59	5		1-93	11	4014258	7-13	34	4019118	4-27	4
	1-59	14	4009783	1-91	2	4014295	1-77	1	4019119	4-27	2
4004776	1-35	22		1-93	4		1-99	1	4019120	4-26	7
	1-39	24	4009853	7-13	14		1-101			4-27	1
	1-53	10	4009902	1-69	21	4014418	7-15	33	4019121	4-27	8
	1-59	25	4010004	10-25	2	4014557	1-5	34	4019122	3-25	1
4005010	1-33	22	4010187	1-53	5		1-5	34	4019124	3-25	3
	1-39	15	4010776	10-7	27	4014598	1-33	9	4019125	3-25	4
	1-57		4010830	1-87	22	4014761	7-17	17	4019128	3-35	14
	1-59		4010971	11-27	15	4015348	7-13	15	4019194	7-13	16
4005338	2-5	5		11-33	17	4015349	7-13	17	4019238	7-13	20
4005339	2-5	7		12-35	15	4015889	1-5	1	4019931	4-9	3
4005596	2-5	16		12-41	17	4016238	1-5		4019946	8-15	5
4005607	2-5	21		13-40	15	4016756	7-15	17	4019947	8-15	43
4005608	2-5	19		13-45	17	4016924	1-47	1	4020220	1-87	6
4005619	2-5	15		14-41	12	4016926	1-47	3	4020309	2-17	22
4005633	1-71	5		14-43	12	4016928	1-47	1		2-19	28
4005634	1-71	15		14-45	12	4016930	1-47	3	4020310	2-17	23
4005805	1-57	23	4010972	11-27	15	4017114	7-18	3		2-19	29
4006017	2-13	9		11-33	17	4017128	3-31		4020588	6-15	36
	3-12	9		12-35	15		3-35	20		6-27	35
4006020	2-13	5		12-41	17	4017718	1-99	6	4020926	2-25	1
	3-12	5		13-40	15	4018204	2-17	1		2-27	1
4006052	3-19	23		13-45	17		2-19	1	4021256	7-13	23
	3-21	19		14-41	12	4018452	1-78	25	4021472	10-11	3
4006063	7-18	4		14-43	12	4018959	3-19	20	4021485	10-11	2
4006296	7-18	7		14-45	12		3-21	17	4021488	10-11	6
4007052	1-57	5	4011395	1-5	34	4019016	3-15	1	4021492	10-11	5
4007210	1-105		4011397	1-5	35		3-27	1	4022812	7-15	30
4007211	1-105		4011940	5-7	12	4019018	4-29	1	4022957	8-3	4
4007318	1-35	21		5-9	4	4019019	4-29	2	4022959	8-3	3
	1-39	14		9-3	6	4019020	4-29	3	4023295	5-71	1
	1-47	19		9-5	6	4019021	3-29	1	4023450	8-4	5
	1-53	8		9-9	6	4019022	3-29	2		8-7	
	1-59	24		9-11	6	4019034	3-15	6	4023719	5-79	1
4007319	1-59	18		9-21	6	4019035	3-15	7	4023784	5-80	18
4007708	7-15	27		9-23	4	4019038	3-15	10	4023785	5-80	15
4008420	1-31	16	4013095	1-31	8	4019050	5-28	7	4023786	5-80	14
4009235	10-5	1		1-33	8	4019052	5-28	11		5-80	18
4009236	10-5	1		1-35	7	4019058	3-39	4	4023867	1-73	13
4009488	14-8	1		1-39	7	4019061	5-29	2	4023959	1-83	9
	14-9	1	4013559	1-91	9	4019082	3-27	8	4024084	5-80	14
4009606	7-13	28		1-93	6	4019086	4-28	2	4024527	4-11	19
4009616	7-15	9	4013616	1-91	6	4019090	4-26	5	4024571	2-21	4
4009664	1-31		4013617	1-91	8	4019092	4-28	4		2-23	4
4009667	1-33		4013618	1-91	4	4019099	4-26	14		2-25	4
4009730	1-5	37	4013619	1-93	9	4019103	4-26	1		2-27	4

NUMERICAL INDEX (continued)

PART NO.	PAGE	ITEM	PART NO.	PAGE	ITEM	PART NO.	PAGE	ITEM	PART NO.	PAGE	ITEM
4024574	2-17	17	4029113	5-79	13	4031469	10-37	15	4033832	1-77	10
	2-19	19	4029116	5-79	3		10-49	2	4033833	1-77	20
4024965	6-7	5		5-79	8	4031471	10-45	4	4033834	1-77	15
4025092	2-21	5	4029117	5-79	3	4031472	10-45	7	4033835	1-77	5
	2-23	5		5-79	8	4031473	10-45	12	4034608	2-5	26
	2-25	5		5-80	13	4031498	10-41	8	4034724	2-5	8
	2-27	5	4029337	5-81	36		10-52	1	4034828	5-22	8
4025271	1-5	2	4029340	1-111	12	4031499	10-41	5	4034931	1-23	1
4025480	6-31	3	4029383	5-79	8		10-49		4034932	1-23	2
4025491	6-33	3	4029384	5-79	3	4031500	10-41	4	4034933	1-23	3
	6-35	3	4029387	5-82	38		10-46		4034934	1-23	4
4025492	6-19	3	4029426	5-80	15	4031501	10-41	3	4034935	1-23	5
4025493	6-21	3	4029506	4-31	20		10-45		4034936	1-23	6
4025683	5-71	1		4-33	33	4031502	10-41	2	4034937	1-23	7
4025684	5-71	1		4-37	33	4031527	10-41	6	4034938	1-23	8
4025710	4-11	25	4029538	4-31	21		10-51		4034939	1-23	9
4026040	4-11	22		4-33	15	4031653	14-13	2	4034940	1-23	10
4026695	1-93	1		4-37	15	4031769	4-49	18	4034941	1-23	11
4026759	5-35	7		4-41	21	4031944	1-5	30	4034942	1-23	12
4027084	10-10	4		4-43	15	4032291	4-31	23	4035794	5-7	6
4027085	10-10	4	4029920	4-31	22		4-33	13		5-9	10
4027269	5-21	3		4-33	14		4-37	13	4035980	1-85	20
4027303	10-10	3		4-37	14		4-41	23	4036068	5-80	20
4027330	2-21	6		4-41	22		4-43	13	4036069	5-80	20
	2-23	6		4-43	14	4032292	4-31	24	4036070	5-80	20
	2-25	10	4030418	7-13	24		4-33	12	4036523	5-97	33
	2-27	10	4030419	7-13	2		4-37	12		5-103	33
	2-29	7	4030497	4-18	6		4-43	12	4036586	1-45	
	2-31	7	4030503	5-52	6	4032460	1-48		4036587	1-45	
	2-33	7		5-80	17	4032461	1-48		4036744	2-5	8
	2-33	25	4030616	7-18	2	4032490	4-11	36	4036761	2-5	12
	2-35	7	4030620	2-21	1	4032607	4-41	20	4037343	9-15	9
	2-35	27		2-23	1		4-43	33	4038137	11-8	18
4027341	1-36		4031146	4-31	25	4032744	4-11	26		13-3	18
	1-40			4-33	11	4032745	4-3	2	4038182	10-13	21
	1-48			4-37	11	4032862	1-17			10-15	9
4028286	5-80	14		4-41	25	4032888	2-21	12		10-17	22
	5-80	15		4-43	11		2-23	12		10-19	10
	5-80	18	4031366	5-80	19		2-25	11	4038241	3-33	5
4028287	5-80	14	4031370	10-41	9		2-27	11	4038242	3-33	4
	5-80	15		10-52	3		2-29	4	4038253	7-13	18
	5-80	18	4031371	10-41	9		2-31	4	4038256	2-7	1
4028288	5-76	23		10-52	3		2-33	4		3-5	1
4028289	5-80	20	4031372	10-41	2		2-33	24		3-9	1
4028633	5-79	7	4031373	10-43	6		2-35	4	4038262	2-7	1
	5-81	25	4031374	10-43	7		2-35	26		3-5	1
4028634	5-79	12	4031375	10-45	14	4033056	5-41	10		3-9	1
4028642	8-7	8	4031376	10-52	1	4033057	5-41	8	4038264	2-7	1
4028787	1-93	3	4031377	10-41		4033440	3-28	8		3-5	1
4028788	1-91	4	4031378	10-41		4033635	7-18	1		3-9	1
4028789	1-91	4	4031384	10-41	1	4033638	7-15	21	4038265	2-7	1
4029099	5-76	23		10-43			7-18			3-5	1

NUMERICAL INDEX (continued)

PART NO.	PAGE	ITEM	PART NO.	PAGE	ITEM	PART NO.	PAGE	ITEM	PART NO.	PAGE	ITEM
	3-9	1	4040254	4-28	1	4041917	2-39	9	4041947	2-51	6
4038266	2-7	1	4040255	3-35	8		2-40	7	4041950	2-50	2
	3-5	1		4-28	3	4041918	2-39	10		2-51	7
	3-9	1	4040256	4-28	5	4041919	2-39	11	4041951	2-50	3
4038267	2-7	1	4040257	4-28	6		2-40	9		2-51	8
	3-5	1	4040258	4-28	7	4041920	2-39	12	4041952	2-53	1
	3-9	1	4040259	4-28	8		2-40	10		2-54	1
4038424	10-11		4040261	4-28	10	4041921	2-39	13	4041953	2-39	19
4038427	4-51	16	4040262	4-28	11		2-40	11	4041955	2-54	2
4038429	4-51	14	4040263	4-26	2	4041922	2-37	5	4041956	2-54	3
	4-53	36	4040264	4-26	3	4041923	2-39	15	4041957	2-53	5
4038490	10-11		4040265	4-26	4		2-40	13		2-54	4
4038672	8-9	1	4040266	4-26	11	4041925	2-40	14	4041958	2-53	7
4038673	8-9	8	4040267	4-26	13	4041927	2-43	4		2-54	5
4038674	8-9	11	4040268	3-35	6		2-44	7	4041959	2-53	9
4038675	8-9	13		4-26	15	4041928	2-39	16		2-54	6
4038676	8-9	16	4040269	3-27	6		2-40	15	4041960	2-53	11
4038677	8-9	21	4040270	4-27	3		2-100	4		2-54	7
4038678	8-9	25	4040271	3-29	4	4041929	2-39	17	4041962	2-53	13
4038861	12-8	19	4040272	3-28	3		2-40	16		2-54	8
	13-14	29	4040273	3-28	4	4041930	2-39	18	4041963	2-51	10
4039098	1-73	12	4040274	3-28	6		2-40	17	4041964	2-37	6
4039364	5-52	6	4040276	3-37	12	4041932	2-39	20		2-69	27
4039368	9-23	3	4040281	3-28	6		2-40	19	4041965	2-50	7
4039369	9-23	3	4040286	5-28	2		2-73	3		2-51	12
4039370	9-21	2	4040287	5-28	2		2-107	6	4041966	2-51	13
4039371	9-21	2	4040288	4-28	9	4041933	2-39	21	4041968	2-50	9
4039375	9-23	3	4040289	3-27	3		2-40	20		2-51	1
4039376	9-23	3	4040290	3-27	4	4041936	2-88	1	4041971	2-89	2
4039377	9-21	1		3-27	5	4041938	2-88	2		2-91	11
4039378	9-21	1	4040523	4-49	11	4041939	2-88	3	4041972	2-89	3
4039957	3-19	17	4040607	1-69	16		2-89	4		2-91	12
4039959	3-21	13		1-71	16		2-91	8	4041973	2-98	3
4039961	3-19	17	4041906	2-39	2	4041940	2-88	4		2-99	3
4039963	3-21	13		2-50	5	4041941	2-88	5	4041974	2-89	5
4039981	6-22			2-51	9	4041944	2-42	5		2-91	10
	6-25		4041907	2-39	4		2-66	4	4041975	2-89	6
	6-27			2-40	2		2-71	6		2-91	5
4040096	5-13	6	4041908	2-39	5		2-74	5	4041978	2-89	7
4040097	5-13	15		2-40	3		2-77	7		2-91	7
4040182	3-19	21	4041909	2-39	6		2-78	5	4041979	2-66	11
	3-21	20		2-40	4		2-97	3		2-89	8
4040183	3-19	24	4041910	2-39	7	4041946	2-41	25		2-91	6
	3-21	18		2-40	5		2-50	13	4041980	2-89	9
4040248	3-27	2	4041911	2-39	8		2-51	5		2-91	13
4040249	5-17	1		2-40	6		2-61	10	4041981	2-89	10
	5-28		4041913	2-39	1		2-66	21		2-91	9
	5-29		4041914	2-39	14		2-67	6	4041982	2-89	11
	5-71			2-40	12		2-69	15		2-91	16
4040250	4-26	10	4041915	2-39	3		2-71	5	4041983	2-89	12
4040251	5-29	3		2-50	6		2-71	20		2-91	19
4040252	3-39	1	4041916	2-37	4		2-89		4041984	2-89	13

NUMERICAL INDEX (continued)

PART NO.	PAGE	ITEM	PART NO.	PAGE	ITEM	PART NO.	PAGE	ITEM	PART NO.	PAGE	ITEM
	2-91	14		2-44	4	4042061	2-97	1		2-55	13
4041988	2-66	2		2-79	12	4042063	2-83	1	4042104	2-55	11
	2-71	3		2-84	2	4042064	2-82	2	4042105	2-53	3
4041989	2-66	3		2-98	2		2-83	10	4042106	2-37	10
4041991	2-66	6		2-99	2	4042066	2-98	11	4042107	2-7	19
	2-97	7		2-101	9		2-99	11		2-9	14
4041992	2-37	8	4042017	2-84	4	4042067	2-67	7		2-37	11
	2-50	11	4042018	2-84	5		2-98	12		3-9	32
	2-84	8	4042020	2-84	7		2-99	12	4042108	2-55	14
	2-89	15		2-86	10	4042068	2-83	6		2-96	13
	2-91	18		2-87	12	4042069	2-83	4		2-102	4
	2-92	8	4042022	2-50	1	4042070	2-95	4	4042109	2-53	28
	2-93	3		2-53		4042071	2-37	7		2-54	9
4041993	2-98	4	4042023	2-84	9	4042072	2-82	11	4042110	2-53	29
	2-99	4	4042026	2-50	4	4042074	2-87	1		2-54	10
4041994	2-89	16	4042028	2-42	1	4042075	2-86	2	4042111	2-53	4
4041995	2-66	5	4042030	2-98	8		2-87	2	4042114	2-49	2
	2-71	7		2-99	8	4042076	2-69	12	4042115	2-49	4
4041996	2-89	17	4042031	2-42	3		2-86	3	4042116	2-46	12
	2-91	15	4042032	2-42	10		2-87	3		2-49	3
4041997	2-94	3		2-78	10	4042077	2-87	4	4042119	2-53	6
	2-95	4	4042033	2-42	4	4042078	2-86	7	4042120	2-65	2
	2-100	10		2-105	10		2-87	5	4042122	2-53	8
	2-101	5	4042034	2-42	9	4042079	2-50	8	4042123	2-95	10
4041999	2-66	8		2-46	16	4042080	2-86	11	4042124	2-49	10
4042000	2-97	10	4042035	2-43	11		2-87	7	4042125	2-49	11
4042001	2-97	11		2-44	3	4042081	2-86	12	4042126	2-46	8
4042002	2-98	5		2-45	6		2-87	8		2-49	12
	2-99	5		2-88	8	4042085	2-85	2	4042127	2-49	6
4042003	2-98	6		2-101	8	4042086	2-85	3	4042128	2-49	7
	2-99	6	4042040	2-93	10	4042087	2-80	2		2-49	15
4042004	2-50	10	4042041	2-77	6		2-81	3	4042129	2-53	10
4042005	2-97	12	4042042	2-98	9	4042088	2-80	3	4042130	2-46	10
4042006	2-97	12		2-99	9		2-81	7		2-49	8
4042007	2-97	12	4042043	2-37	9	4042092	2-55	1	4042131	2-43	2
4042008	2-46	4		2-74	6	4042093	2-50	8		2-46	11
	2-49	13		2-77	8	4042094	2-53	15		2-49	9
	2-91	4	4042045	2-50	8		2-55	2	4042133	2-95	11
	2-98	7	4042046	2-77	10	4042095	2-55	3	4042134	2-92	1
	2-99	7	4042048	2-97	9	4042096	2-53	17		2-93	2
	2-100	5	4042049	2-98	10		2-55	4	4042135	2-92	2
4042009	2-94	1		2-99	10	4042097	2-53	18		2-93	1
4042010	2-40	24	4042050	2-97	8		2-55	5	4042136	2-93	4
	2-50	12	4042053	2-77	16	4042098	2-53	19	4042138	2-61	9
	2-51	4	4042054	2-70	5		2-55	6		2-92	4
	2-80	4	4042056	2-97	2	4042099	2-53	20		2-93	7
	2-81	2	4042058	2-78	15		2-55	7	4042139	2-93	8
4042011	2-94	2	4042059	2-77	4	4042100	2-55	8	4042140	2-92	6
4042012	2-50	14		2-77	12	4042101	2-53	2		2-93	6
	2-74	7		2-78	14	4042103	2-53	23	4042141	2-92	7
4042014	2-84	1		2-86	8		2-53	26		2-93	5
4042015	2-43	9		2-87	6		2-55	10	4042142	2-95	12

NUMERICAL INDEX (continued)

PART NO.	PAGE	ITEM	PART NO.	PAGE	ITEM	PART NO.	PAGE	ITEM	PART NO.	PAGE	ITEM
4042143	2-39	22		2-59	16		2-86	5	4042289	2-95	3
	2-97	5	4042189	2-57	12		2-87	10		2-95	3
4042144	2-59	1		2-59	12	4042228	2-86	9	4042290	2-95	5
4042145	2-93	9	4042190	2-59	11		2-87	11	4042291	2-57	
4042146	2-59	2	4042191	2-46	6	4042229	2-57	6		2-59	
4042147	2-53	12	4042192	2-46	7		2-59	6	4042292	2-95	7
4042150	2-78	4	4042193	2-57	13	4042230	2-45	2		2-95	7
	2-79	10		2-59	13	4042231	2-45	3	4042293	2-95	8
4042151	2-53	14	4042194	2-92	9	4042232	2-45	1	4042294	2-95	9
4042153	2-53	16		2-93	13	4042233	2-45	4	4042295	2-95	6
4042154	2-53	21	4042195	2-92	10	4042234	2-45	5		2-95	6
4042155	2-53	22		2-93	14	4042236	2-43	3	4042297	2-57	
	2-53	25	4042196	2-92	11	4042237	2-43	6		2-59	
	2-55	9		2-93	17	4042238	2-43	10	4042303	2-57	
	2-55	12	4042197	2-92	12	4042239	2-59			2-59	
4042157	2-53	24		2-93	12	4042240	2-43	5	4042304	2-57	
4042161	2-53	27	4042198	2-92	13	4042241	2-61	1	4042305	2-57	
4042163	2-57	8		2-93	11	4042242	2-61	2	4042307	2-92	3
	2-59	8	4042199	2-93	15	4042245	2-59		4042309	2-98	1
4042165	2-57	8	4042200	2-46	9	4042246	2-89	1	4042310	2-92	5
	2-59	8	4042201	2-46	13	4042247	2-89	14	4042311	2-43	7
4042166	2-59	1	4042203	2-46	14	4042249	2-67	2	4042312	2-43	8
4042167	2-59	2	4042204	2-57	15		2-71	12	4042313	2-100	1
4042168	2-53	30		2-59	15	4042251	2-71	14		2-101	1
4042170	2-46	1	4042206	2-46	15	4042252	2-57	1	4042314	2-92	14
4042171	2-46	2	4042207	2-36	2	4042254	2-71	17	4042315	2-92	16
4042172	2-46	3	4042208	2-36	3	4042256	2-66	10	4042317	2-36	4
4042173	2-57	3		2-36	3		2-71	19	4042318	2-100	2
	2-59	3	4042209	2-36	4	4042258	2-60	3		2-101	2
4042174	2-57	4	4042210	2-36	5	4042263	2-57	1	4042319	2-100	3
	2-59	4	4042211	2-36	6	4042265	2-61	5	4042321	2-100	6
4042175	2-57	5	4042212	2-36	7	4042266	2-61	6	4042322	2-91	20
	2-59	5	4042213	2-88	6	4042267	2-61	7		2-100	7
4042176	2-46	5	4042214	2-88	7	4042268	2-61	8	4042323	2-100	8
4042177	2-57	14	4042215	2-57	15	4042269	2-57	2		2-101	4
	2-59	14		2-59	15	4042274	2-60	6	4042324	2-100	9
4042178	2-57	14	4042216	2-43	12		2-61	15		2-101	3
	2-59	14		2-44	10		2-63	14	4042325	2-37	
4042180	2-57	7	4042217	2-43	1	4042275	2-60	8	4042326	2-37	1
	2-59	7	4042218	2-43	1		2-61	16	4042327	2-37	2
4042181	2-57	8	4042219	2-57	16		2-63	15	4042328	2-37	3
	2-59	8		2-59	16	4042276	2-60	9	4042337	2-66	1
4042182	2-57	8	4042220	2-40	21		2-61	17	4042338	2-66	7
	2-59	8	4042221	2-46	17		2-63	16	4042339	2-66	
4042183	2-59	9	4042222	2-40	22	4042280	2-102	2		2-67	
4042185	2-57	10	4042223	2-40	23	4042282	2-57	2		2-69	99
	2-59	10	4042224	2-57	16	4042283	2-57	9		2-70	
4042186	2-57	14		2-59	16	4042284	2-102	3		2-72	
	2-59	14	4042225	2-92	15	4042285	2-102	1	4042340	2-66	14
4042187	2-57	15		2-92	17	4042286	2-95	1	4042342	2-66	16
	2-59	15		2-93	16	4042287	2-57	11	4042343	2-66	15
4042188	2-57	16	4042227	2-62	20	4042288	2-95	2	4042350	2-66	19

NUMERICAL INDEX (continued)

PART NO.	PAGE	ITEM	PART NO.	PAGE	ITEM	PART NO.	PAGE	ITEM	PART NO.	PAGE	ITEM
4042351	2-66	12	4045322	5-21	1	4050226	9-3	25	4050885	2-69	29
4042352	2-66	17	4045621	5-15	14		9-5	33	4050907	2-74	4
4043082	1-35	6	4045698	1-99	7		9-9	31	4050914	2-70	1
	1-39	6	4045699	1-99	8		9-12	39	4050915	2-70	2
	1-47	6	4046492	1-45	13		9-18		4050919	2-70	3
4043195	5-21	1		1-48		4050228	9-3	28	4050921	2-63	4
4043343	6-10		4046933	5-39			9-5	31		2-70	4
	6-11		4047237	2-42	2		9-9	34	4050922	2-69	16
	6-15		4047641	2-19	33		9-11	37	4050923	2-69	17
4043349	6-22		4047664	5-95	2	4050230	1-111	17	4050927	2-73	1
	6-25			5-101	2	4050337	3-19	32	4050928	2-73	1
	6-27			5-107	2		3-21	2	4050929	2-73	2
4043361	6-15	29		5-113	2	4050610	5-15	9		2-73	12
	6-28	48	4047669	5-52	6	4050750	1-105	1	4050930	2-73	4
4043876	5-80	13		5-63	7	4050752	1-105	15	4050931	2-73	5
4043877	5-79	12		5-63	11	4050754	1-105	10	4050932	2-73	6
4043880	5-79	11		5-76	21	4050800	5-15	25	4050933	2-73	10
4043881	5-79	9		5-96	18	4050838	2-66	20	4050934	2-73	9
4043882	5-79	10		5-98	57	4050839	2-66	18	4050935	2-73	8
4044081	4-21	18		5-99	59	4050840	2-66	13	4050936	2-73	7
4044099	5-21	1		5-102	18	4050841	2-66	9	4050937	2-73	11
4044151	1-99	4		5-104	57	4050844	2-66	22	4050938	2-73	11
	1-103			5-108	18		2-67	1	4050939	2-63	1
4044153	1-103	4		5-110	46	4050845	2-67	8	4050940	2-63	2
4044154	1-103	5		5-110	55	4050846	2-67	4	4050941	2-63	3
4044155	1-77	8		5-114	18	4050847	2-67	5	4050942	2-63	5
	1-103	20		5-116	46	4050848	2-67	3	4050943	2-63	
	1-105		4047908	5-75	20	4050849	2-72	1		2-64	
4044156	1-103	19	4047914	4-51	3	4050850	2-72	2	4050944	2-63	10
4044157	1-103	18	4047924	4-51	17	4050851	2-72	3	4050945	2-63	11
4044158	1-103	17	4047925	4-51	15		2-78	2	4050946	2-63	12
4044159	1-103	16	4047982	4-11	19	4050852	2-69	1	4050947	2-63	13
4044160	1-103	13	4047983	4-11	19	4050854	2-69	2	4050985	2-63	17
4044161	1-103	14	4048086	4-51	8	4050855	2-69	24	4050986	2-63	18
4044162	1-103	15	4048324	2-51	13	4050856	2-69	21	4050987	2-63	19
4044163	1-103	6	4048325	2-51	13	4050857	2-69	22	4050988	2-63	6
4044164	1-103	12	4048941	4-31	6	4050858	2-69	23		2-64	1
4044165	1-103	2		4-33	8	4050859	2-69	25	4050989	2-63	7
4044397	5-82	50		4-37	8	4050860	2-69	3		2-64	9
4044428	1-65	10		4-41	6	4050861	2-69	4	4050990	2-64	2
	1-69	9		4-43	8	4050862	2-69	5	4050991	2-64	3
	1-71	9	4049014	7-13	37	4050863	2-69	20	4050992	2-64	4
4044429	1-65	10		7-15	1	4050864	2-69	6	4050993	2-64	5
	1-69	9		7-17	1	4050865	2-69	7	4050994	2-64	6
	1-71	9	4049066	7-15	29	4050866	2-69	8	4050995	2-64	7
4044430	1-65	10	4049121	7-3	13	4050867	2-69	19	4050996	2-64	8
	1-69	9		7-13	5	4050868	2-69	18	4050997	2-64	
	1-71	9	4049150	2-19	12	4050869	2-69	9	4051041	2-63	8
4045100	4-3	10	4050187	2-23	22	4050870	2-69	10		2-64	10
	4-5	17		2-27	20	4050871	2-69	11	4051042	2-63	9
4045249	5-79	3	4050222	9-3	29	4050872	2-69	13		2-64	11
	5-79	8		9-9	36	4050873	2-69	14	4051044	2-98	13

NUMERICAL INDEX (continued)

PART NO.	PAGE	ITEM	PART NO.	PAGE	ITEM	PART NO.	PAGE	ITEM	PART NO.	PAGE	ITEM
4051045	2-98	14		2-31	11		2-35	8	4054741	2-81	1
4051046	2-74	1		2-33	9	4054347	2-29	1	4054742	2-81	5
4051047	2-74	2		2-35	11		2-33	1	4054744	2-78	1
4051048	2-74	3	4051593	1-13	1	4054352	2-33	22	4054745	2-78	9
4051049	2-80	1	4051594	1-13	1	4054580	2-40	1	4054746	2-78	13
4051050	2-79	5	4051595	1-13	1	4054581	2-40	8	4054747	2-78	3
	2-80	5	4051596	1-13	1	4054582	2-40	18		2-105	15
	2-81	6	4051597	1-13	1	4054583	2-51	2	4054748	2-78	6
	2-83	12	4051598	1-13	1	4054584	2-51	11	4054749	2-78	8
4051051	2-82	1	4051924	4-47	3	4054588	2-49	1		2-79	4
4051052	2-82	3		4-49	22	4054589	2-49	5	4054750	2-78	11
	2-83	11	4051938	4-49		4054590	2-49	14	4054751	2-78	7
4051053	2-82	4	4052059	1-21	4	4054593	2-91	1	4054752	2-78	16
4051054	2-82	5	4052151	5-92	45	4054594	2-91	2	4054753	2-78	12
	2-83	13		5-98	45	4054595	2-91	3	4054755	2-79	1
4051055	2-82	6		5-104	45	4054596	2-91	17	4054756	2-79	2
4051061	2-82	7	4052206	2-21	21	4054599	2-71	1	4054757	2-79	3
4051062	2-82	8		2-23	24	4054600	2-71	2	4054758	2-79	11
	2-83	9		2-25	19	4054601	2-71	4	4054759	2-51	3
4051063	2-82	9		2-27	22	4054602	2-71	8		2-79	8
	2-83	5	4052207	2-21	21	4054603	2-71	9	4054760	2-79	9
4051064	2-82	10		2-23	24	4054604	2-71	11	4054761	2-79	6
4051065	2-82	12		2-25	19	4054605	2-71	13	4054762	2-79	13
4051066	2-82	14		2-27	22	4054606	2-71	15	4054763	2-83	8
4051067	2-86	1	4052485	7-15	31	4054607	2-71	18		2-102	1
4051068	2-86	6	4052515	2-31	1	4054618	2-61	3		2-105	4
4051069	2-46			2-35	1	4054619	2-61	4	4054771	2-42	6
	2-53		4053052	5-95	6	4054620	2-61	11	4054772	2-42	8
	2-63			5-101	6	4054621	2-61	12	4054781	2-44	6
	2-69		4053055	2-35	24	4054622	2-61	13	4054782	2-44	9
	2-70		4053065	2-33	21	4054623	2-61	14	4054783	2-44	5
	2-74			2-35	23	4054624	2-61	18	4054784	2-44	8
	2-80		4053068	2-29	2	4054646	2-60	1	4054785	2-44	2
	2-82			2-31	2	4054647	2-60	10	4054786	2-44	1
	2-86			2-33	2	4054648	2-60	7	4054805	2-107	4
	2-98			2-35	2	4054653	2-97	6	4054806	2-107	5
4051070	2-66		4053079	1-31	12	4054654	2-65	1	4054807	2-107	7
	2-72			1-33	11	4054677	2-99	1	4054808	2-107	8
	2-88			1-35	15	4054678	2-101	6	4054809	2-105	11
	2-89			1-39	16	4054679	2-101	7	4054810	2-105	12
	2-94			1-48	24	4054680	2-101	10	4054812	2-105	14
	2-100		4053250	2-29	12	4054696	2-77	1	4054817	2-105	9
4051286	4-27	5		2-31	14	4054697	2-77	2	4054932	4-31	9
4051327	7-3	14		2-33	12	4054698	2-77	3		4-33	7
	7-13	6		2-35	14	4054699	2-77	5		4-37	7
4051408	4-5	3	4053949	9-3	15	4054723	2-77	13		4-41	9
	4-7	4		9-5	15	4054727	2-77	17		4-43	7
4051434	4-31	40		9-9	17	4054728	2-77	18	4055018	7-15	20
	4-34	49		9-11	17	4054738	2-81	4	4055021	7-15	2
	4-41	29	4054055	4-11	1	4054739	2-81	8	4055271	2-97	4
	4-43	37		4-15	1	4054740	2-79	7	4055272	2-97	4
4051527	2-29	9	4054231	2-31	8		2-81	9	4055570	7-15	23

NUMERICAL INDEX (continued)

PART NO.	PAGE	ITEM	PART NO.	PAGE	ITEM	PART NO.	PAGE	ITEM	PART NO.	PAGE	ITEM
4055658	4-7	3	4066965	1-96		4074585	2-60	5	4090191	4-53	28
4055754	1-9	1	4066966	1-96	5	4074599	1-11	2	4092328	6-8	8
4055755	1-9	1	4066967	1-96	7	4074793	2-77	9	4092600	1-117	
4056983	5-41	4	4066968	1-96	4	4074794	2-77	11	4092601	1-119	
4056988	5-41	1	4066969	1-96	4	4074795	2-77	14		1-121	
4057049	12-7	9	4066970	1-96	4	4074796	2-77	15	4092602	1-122	
	13-14	26	4066971	1-96	4	4074799	2-85	1	4092603	1-113	
4057050	12-7	9	4067297	4-53	4	4074802	2-83	2		1-115	
	13-14	26	4067335	2-7	25	4074803	2-83	3	4093215	2-17	1
4057297	7-17	14	4067505	4-23	11	4074804	2-83	7		2-19	1
4057622	7-13	1		4-41	1	4074805	2-84	3	4094087	9-18	1
4058047	13-33	1	4067507	4-21	1	4074806	2-84	6	4094113	2-71	11
4058049	13-33	1		4-21	1	4074807	2-84	11	4094114	2-71	11
4058051	13-35	1		4-23	11	4074906	2-88		4094634	7-3	5
4058053	12-27	1		4-43	1	4074934	2-105	3	4095651	10-33	4
4058054	12-27	1	4068017	4-21	1	4074935	2-107	1		10-35	1
4058055	12-27	1		4-23	11	4074936	2-107	3	4095652	10-33	5
4058057	12-27	1		4-31	1	4074937	2-105	2		10-37	1
	12-31	1	4068018	4-21	1	4074938	2-105	5	4095653	10-33	2
4058158	11-4	13		4-23	11	4074939	2-105	6		10-35	2
	12-4	28		4-33	1	4074940	2-105	7	4100326	2-82	13
	13-17	11	4068069	7-21		4074941	2-105	8		2-84	10
4058522	10-7	15	4068074	4-5	2	4074942	5-15	24	4100401	10-23	13
4058524	10-7	15		4-7	1	4075462	2-31	20	4102140	4-37	1
4060528	2-105	13	4068075	4-5	2		2-35	20	4102512	5-5	27
4060688	9-3	19		4-7	1	4075981	5-15		4103673	4-23	25
	9-5	19	4068484	3-9	19	4077582	4-53	32	4103675	4-23	26
4060737	5-63	9	4068572	3-9	10	4077586	4-53	1	4104235	11-4	13
	5-95	1	4069932	4-53	6	4077726	5-5	16		12-4	28
	5-101	1	4070380	3-19	11	4078018	10-23	7	4104236	11-4	13
4060774	9-9	25	4070451	14-35	9	4081358	4-53	27		12-4	28
	9-11	25	4070452	14-35	9	4081465	9-18		4104443	5-28	5
4060809	2-17	16	4070453	14-35	9	4082011	2-29	23	4108694	1-122	4
	2-19	18	4070454	14-35	9		2-31	26	4108695	1-122	5
4062255	5-15	12	4070544	1-87	16		2-33	28	4108697	1-117	2
4062311	4-7	11		1-101	16		2-35	31	4108698	1-117	3
4062685	2-21	2	4070545	1-87	36	4082219	2-29	18	4108700	1-117	9
	2-23	2		1-101	25		2-33	18	4108701	1-117	10
	2-25	2	4070546	1-87	37	4083052	5-52	1		1-119	9
	2-27	2		1-101	26	4084521	4-23	8	4108702	1-117	11
4064894	9-18	2	4072273	14-7	7	4084522	4-23	4	4108703	1-117	7
4065584	9-3	25	4072914	4-7	1	4085422	4-53	30	4108704	1-117	6
	9-5	33	4072915	4-7	1	4085741	4-53	20	4108705	1-117	5
	9-9	31	4072916	4-7	1	4085742	4-53	21	4108706	1-117	8
	9-11	39	4072917	4-7	1	4085743	4-53	22	4108709	1-113	6
	9-18		4073575	4-53	23	4087688	1-13	7		1-115	7
4066321	2-7	24	4074188	2-107		4088044	10-35	12		1-119	26
4066325	2-7	20	4074569	2-45	3	4088045	10-35	9	4108710	1-115	10
	2-14	1	4074572	2-49	8		10-37	12	4108711	1-115	9
4066616	2-29	20	4074574	2-91	21	4089066	10-33	6	4108712	1-115	8
	2-31	23	4074580	2-36	1		10-37	2	4108718	1-113	10
4066964	1-96	6	4074584	2-71	16	4089962	4-53	34		1-119	22

NUMERICAL INDEX (continued)

PART NO.	PAGE	ITEM	PART NO.	PAGE	ITEM	PART NO.	PAGE	ITEM	PART NO.	PAGE	ITEM
4108719	1-113	17	4108773	1-113	1	4142040	2-7	1	4603382	1-35	
4108720	1-113	18	4108774	1-113	2		3-5	1		1-39	
4108721	1-113	9	4108775	1-113	13		3-9	1	4603383	1-35	
	1-119	20	4108776	1-117	1	4142399	4-53	20		1-39	
4108722	1-113	7	4108777	1-117	4	4142401	4-53	21	4603384	1-35	
4108723	1-113	5	4108837	10-5	9	4148661	4-28	9		1-39	
	1-121	5	4108839	10-5	3	4148667	4-28	9	4603385	1-35	
4108724	1-113	4	4109470	1-119	27	4601093	5-55	1		1-39	
	1-121	4	4109471	1-119	28	4601094	5-57	1	4603439	5-55	6
4108725	1-113	3	4109472	1-119	1	4601096	5-57	1		5-57	6
4108726	1-113	11	4109473	1-119	2	4601097	5-55	1	4603492	1-57	25
4108727	1-113	14	4109474	1-119	36	4601098	5-57	1		1-59	27
4108728	1-113	15	4109475	1-119	37	4601099	5-55	1	4603493	1-57	15
4108729	1-113	16	4109476	1-122	1	4601100	5-57	1		1-59	29
4108731	1-113	12	4109477	1-122	2	4601101	5-55	1	4603551	2-7	1
	1-119	18	4109478	1-122	3	4601102	5-57	1		3-5	1
4108732	1-119	16	4109479	1-115	11	4601104	5-57	1		3-9	1
	1-121	2	4111502	13-17	11	4601105	5-55	1	4604565	11-27	22
4108733	1-115	5	4111503	13-17	11	4601106	5-57	1		11-33	24
4108734	1-115	4	4112651	1-121	7	4601107	5-55	1		12-35	22
4108736	1-115	2	4116825	1-119	32	4601108	5-57	1		12-41	24
4108737	1-115	1	4116826	1-115	3	4601120	5-55	16		13-40	22
4108738	1-113	8		1-119	11		5-57	16		13-45	24
4108739	1-115	6		1-119	38	4601386	1-65	20	4604566	11-27	23
4108742	1-119	31		1-121	3		1-71	2		11-33	25
4108743	1-119	14	4116835	1-115	15		5-41	9		12-35	23
4108744	1-119	17	4119706	1-119		4601680	5-5	15		12-41	25
4108745	1-119	13		1-121		4601681	5-5	13		13-40	23
4108746	1-119	15	4120028	2-61	19	4601714	10-10	1		13-45	25
4108749	1-119	30		2-86	4		10-11	1		14-41	19
4108750	1-119	34		2-87	9	4601715	10-10	1		14-43	19
4108751	1-119	35	4126305	1-119			10-11	1		14-45	20
4108752	1-119	33	4126730	1-5	19	4601717	10-7	16	4604567	14-41	20
4108753	1-119	10	4127425	2-7	12	4601719	10-7	2		14-43	20
4108754	1-119	8		2-9	18	4601720	10-7	28	4604568	11-27	24
4108755	1-119	7		3-5	13	4601722	10-7	6		11-33	26
4108756	1-119	6		3-7	19	4601723	10-7	23		12-35	24
4108757	1-119	5		3-9	22	4601794	5-51			12-41	26
4108758	1-119	12	4128271	3-37	9	4601795	5-51		4604569	13-40	24
4108759	1-119	3	4132980	1-103	3	4601796	5-51			13-45	26
4108760	1-119	4	4136558	2-7	1	4601797	5-51			14-45	19
4108761	1-119	24		3-5	1	4601802	5-51	1	4604570	13-40	25
4108762	1-119	25		3-9	1	4601803	5-51	1		13-45	27
4108763	1-119	29	4136559	2-7	1	4601804	5-51	1	4604581	10-7	11
4108765	1-119	23		3-5	1	4601805	5-51	1	4604594	5-3	1
4108766	1-119	19		3-9	1	4602207	1-33	22	4604595	5-3	6
4108767	1-119	21	4137167	4-53	23		1-39	15	4604780	10-41	
4108768	1-121	1	4141716	1-119			1-53	1	4604781	10-41	
4108769	1-121	6	4141717	1-119	21		1-55		4604826	10-57	5
4108770	1-115	12	4142035	2-7	1	4602843	5-17	7	4604938	11-4	26
4108771	1-115	14		3-5	1		5-60			12-4	19
4108772	1-115	13		3-9	1	4602849	13-22			13-18	28

NUMERICAL INDEX (continued)

PART NO.	PAGE	ITEM	PART NO.	PAGE	ITEM	PART NO.	PAGE	ITEM	PART NO.	PAGE	ITEM
4605072	5-67		4613963	1-19	5		2-70			4-5	11
4605073	5-69		4613972	1-106	2		2-72		4616119	2-9	10
4605236	10-41		4613973	1-106	1		2-73		4616123	1-73	8
4605237	10-41		4614144	4-3	9		2-74			5-63	
4605336	5-55	10		4-5	10		2-80		4616151	4-3	12
	5-57	10		4-7	10		2-82			4-7	13
4605337	5-55	14	4614145	4-7	17		2-86			5-13	17
	5-57	14	4614228	2-5	3		2-88		4616201	4-17	3
4605389	2-5	1	4614229	2-5	2		2-89		4616202	6-3	2
4608006	8-13		4614325	7-13			2-92		4616203	6-3	1
	10-41	12		7-15			2-94		4616429	1-109	1
4609300	10-7	34		7-17			2-95		4616658	1-19	29
4609405	10-7	32	4614326	7-13			2-98		4616862	5-15	25
4609648	4-21	6		7-15			2-100			5-20	1
4610113	5-21	1		7-17			2-102		4616915	5-82	38
4611791	8-4	5	4614480	1-47		4615531	3-25		4616920	5-81	36
	8-9		4614481	1-47			3-26		4616993	4-21	22
4612097	10-7	13	4614516	5-81	31		3-28		4617767	4-11	30
4612321	1-21	8	4614581	10-41			3-29			4-15	22
4612564	9-15	27	4614582	10-41			3-31		4617918	4-3	6
4612789	4-11	19	4614583	10-41			3-33		4618047	6-10	8
4612829	5-79	7	4614584	10-41			3-35			6-22	7
	5-81	25	4614617	5-41	12		3-37		4618180	1-73	
4612835	5-81	27		5-138			3-41		4618189	2-17	25
4612836	5-73	22	4614655	10-55	6	4615533	3-25			2-19	31
4612844	5-73	22	4614775	9-15	11		3-26		4619094	4-31	39
4612849	2-7	20	4614848	5-82	38		3-28			4-34	48
	2-9	22	4614877	5-7	2		3-29			4-41	28
	2-10	5		5-119			3-31			4-43	36
	2-13	4	4614878	5-7	2		3-33		4619095	4-31	32
4612850	2-7	20		5-123			3-35			4-41	32
	2-9	22	4614879	5-9	1		3-37		4619263	4-11	34
	2-10	7		5-127			3-41		4619264	4-11	24
	2-13	12	4614880	5-9	1	4615668	1-109	2	4619574	4-33	46
4612882	5-35	1		5-131		4615669	4-21	29		4-43	34
4612884	5-21	1	4615342	3-19	15		4-23	19	4619601	9-17	8
4612885	5-21	2	4615352	4-17	6		4-25	1	4620363	2-29	8
4612918	5-36	1	4615353	4-17	9	4615670	4-21	31		2-31	10
4612950	5-5	23	4615470	2-17	9		4-23	21		2-33	8
	5-89			2-36			4-25	4		2-35	10
4612971	5-81	31		2-37		4615671	4-21	25	4620403	4-3	20
4612978	5-75	17		2-39			4-23	15	4620404	4-3	17
	5-81	31		2-43			4-25	5	4620405	4-3	21
4612988	5-75	17		2-45		4615672	4-21	28	4620483	2-19	9
4613011	5-79	1		2-46			4-23	18		2-36	
	5-81	28		2-50			4-25	7		2-37	
4613023	4-17	1		2-53		4615673	4-21	30		2-40	
	4-18			2-57			4-23	20		2-42	
4613092	5-80	24		2-63			4-25	3		2-44	
4613118	5-80	24		2-66		4615964	4-47	3		2-45	
4613127	5-80	24		2-67			4-49	22		2-49	
4613164	10-7	13		2-69		4615967	4-3	16		2-51	

NUMERICAL INDEX (continued)

<u>PART NO.</u>	<u>PAGE</u>	<u>ITEM</u>	<u>PART NO.</u>	<u>PAGE</u>	<u>ITEM</u>	<u>PART NO.</u>	<u>PAGE</u>	<u>ITEM</u>	<u>PART NO.</u>	<u>PAGE</u>	<u>ITEM</u>
	2-54			4-15	20	4625947	2-7	21	4630631	4-53	8
	2-55		4621031	5-13	14	4626440	4-7	1	4631745	10-23	10
	2-59		4621757	4-51	1	4626441	4-7	1	4633617	10-3	19
	2-60		4622423	10-57	4	4627552	10-3	5		10-5	
	2-61		4622464	7-17	8	4627627	10-64	12	4633618	10-3	19
	2-65		4622465	7-17	8	4627806	9-23	5		10-5	
	2-71		4622822	12-27		4627873	11-4	25	4634120	3-7	9
	2-77			12-31			12-4	22		3-16	1
	2-78		4622823	12-27			13-18	26	4634121	2-7	16
	2-79		4622824	12-27		4628377	4-5	4		2-9	11
	2-81		4622825	12-27			4-7	18		3-5	16
	2-83		4622826	13-33		4629212	10-33	1		3-9	29
	2-84		4622828	13-33		4629213	10-33	1	4634401	4-23	12
	2-85		4622829	13-35		4629215	10-33		4634485	4-49	3
	2-87		4623007	4-5	2	4629217	10-33		4634854	10-23	9
	2-88		4623997	14-35		4629764	5-5	23	4634955	5-5	25
	2-91		4623998	14-35			5-107		4635042	4-38	48
	2-93		4623999	14-35		4629813	5-52	6	4635043	4-37	46
	2-94		4624000	14-35		4629824	5-13	1	4635130	4-23	1
	2-95		4624027	14-29			5-75		4635135	5-5	23
	2-97		4624028	14-29		4629890	4-53	9		5-101	
	2-99		4624029	14-29		4629892	4-53	3	4635136	5-5	23
	2-101		4624030	14-29		4630267	10-23	1		5-113	
	2-102		4624325	4-5	5	4630268	5-5	23	4635201	4-23	12
4620676	5-15	1		4-7	21		5-95		4642932	5-41	7
	5-79		4625652	6-7	1	4630519	2-21	14	4645350	8-3	2
4620888	4-11	14	4625946	2-7	23		2-25	12	4645353	8-3	1
4620889	4-11	31		2-9	8		2-27	16			

