

PARTS MANUAL

**J1.6-2.0XN
(A935)**

CUSTOMER EDITION

HYSTER

SECTIONS

1	FRAME
2	ELECTRICAL SYSTEM
3	DRIVE UNIT
4	STEERING SYSTEM
5	BRAKE/ACCELERATOR SYSTEM
6	HYDRAULIC SYSTEM
7	MAST-TWO STAGE LIMITED FREE-LIFT
8	MAST-THREE STAGE FULL FREE-LIFT
9	MAST-TWO STAGE FULL FREE-LIFT
10	OPTIONS
11	FIELD SERVICE KITS
12	NUMERICAL INDEX

This Parts Manual is divided into 12 major sections which are listed above. Quick reference to these sections can be made by placing the right thumb on the tab of the desired section, bending the book back and thumbing the pages to the corresponding tab.

TABLE OF CONTENTS

DESCRIPTION	PAGE
A	
ACCELERATOR PEDAL	
MONOTROL	5-10
STANDARD	5-8
ARMREST SLIDER ASSEMBLY	
→ 9/2010	1-66
9/2010 →	1-68
AUDIBLE ALARM	10-2
AUXILIARY TUBE EXTENSION KIT	11-2
AUXILIARY TUBE EXTENSIONS	
TWO AND THREE STAGE FULL FREE-LIFT	10-42
TWO-STAGE LIMITED FREE-LIFT	10-40
B	
BATTERY CONNECTOR	2-16
BATTERY CONNECTOR AND CABLE ASSEMBLY	
WITH RAPID CHARGE OPTION	2-18
BATTERY RETENTION	
→ S/N A935B02293J	1-90
S/N A935B02294J →	1-92
BATTERY TRAY OPTIONS	
DROP-IN	1-84
SIDE REMOVAL (S/N A935B02294J →)	1-88
SIDE-REMOVAL (→ S/N A935B02293J)	1-86
BRAKE PEDAL LINKAGE	5-2
C	
CAB	
FRONT PANEL ASSEMBLY	1-20
FRONT WIPER ASSEMBLY	1-28
HEADLINER ASSEMBLY	1-30
HEATER	1-32
HEATER ASSEMBLY	1-34
HEATER ASSEMBLY - ALTERNATE HEATER	1-36
PVC DOORS	1-6
REAR PANEL AND WIPER ATTACHMENT	1-24
REAR PANEL ASSEMBLY	1-26
STEEL DOOR ASSEMBLY - RIGHT HAND	1-12
STEEL DOOR ASSEMBLY - LEFT HAND	1-14
STEEL DOORS	1-10
TOP PANEL ASSEMBLY	1-22
WINDOW - STEEL DOOR, RIGHT HAND	1-16
WINDOW - STEEL DOOR, LEFT HAND	1-18
CAB ASSEMBLY	
FULL STEEL CAB	1-8
WITH PVC DOORS	1-4
CAB KITS	
CARRIAGE ASSEMBLY	
THREE STAGE FULL FREE LIFT - A271 - STANDARD	8-20

TABLE OF CONTENTS (continued)

DESCRIPTION	PAGE
THREE STAGE FULL FREE LIFT - A271 - INTEGRAL SIDE-SHIFT	10-24
THREE STAGE FULL FREE LIFT - C662 - STANDARD	8-50
THREE STAGE FULL FREE LIFT - C662 - INTEGRAL SIDE-SHIFT	10-26
TWO STAGE FULL FREE- LIFT - STANDARD	9-16
TWO STAGE FULL FREE LIFT - C663 - INTEGRAL SIDE-SHIFT	10-30
TWO STAGE FULL FREE- LIFT-A272 - INTEGRAL SIDE-SHIFT	10-28
TWO STAGE FULL FREE- LIFT-STANDARD - A272	9-38
TWO STAGE LIMITED FREE LIFT - A270 - STANDARD	7-12
TWO STAGE LIMITED FREE LIFT - A270 - INTEGRAL SIDE-SHIFT	10-20
TWO STAGE LIMITED FREE LIFT - C661 - STANDARD	7-30
TWO STAGE LIMITED FREE LIFT - C661 - INTEGRAL SIDE-SHIFT	10-22
CONTACTOR	2-24
CONTROL VALVE	
ELECTRO-HYDRAULIC - 3 AND 4 FUNCTION	6-46
MANUAL - 3 AND 4 FUNCTION (→ S/N A935B02890K)	6-28
CONTROLLER	
HOIST AND FAN ASSEMBLY	2-12
TRACTION AND FAN ASSEMBLY	2-14
CONTROLLERS	2-8
COUNTERWEIGHT	1-78
COWL AND MOUNTING	
→ S/N A935B02293J	1-70
S/N A935B02294J →	1-72
D	
DASH AND STEERING COLUMN COVERS	
FIXED COLUMN	1-74
TELESCOPIC COLUMN	1-76
DC/DC CONVERTER	10-4
DISPLAY	2-20
DOME LIGHT	10-12
DRIVE TIRE AND WHEEL ASSEMBLY	3-10
DRIVE UNIT ASSEMBLY	3-2
E	
ELECTRICAL ARRANGEMENT	
→ S/N A935B01907H → S/N A935B01914H	2-2
S/N A935B01908H → S/N A935B01915H →	2-6
F	
FLOOR PLATES	1-52
FORKS	1-103
OPTIONAL	1-104
FREE LIFT ASSEMBLY	
THREE STAGE FULL FREE LIFT - A271 (→ S/N A271B02146H)	8-8
THREE STAGE FULL FREE LIFT - A271 (S/N A271B02147H →)	8-12
THREE STAGE FULL FREE LIFT - C662	8-42
TWO STAGE FULL FREE LIFT - C663	9-12
FREE LIFT CYLINDER ASSEMBLY	
THREE STAGE FULL FREE LIFT - A271	8-18

TABLE OF CONTENTS (continued)

DESCRIPTION	PAGE
THREE STAGE FULL FREE LIFT - C662	8-48
TWO STAGE FULL FREE- LIFT - A272	9-36
TWO STAGE FULL FREE LIFT - C663	9-14
FREE-LIFT ASSEMBLY	
TWO STAGE FULL FREE- LIFT - A272	9-34
FRONT WORK AND MARKER LIGHTS	10-6
FUSE PANEL ASSEMBLY	2-22
H	
HEADER HOSE ASSEMBLY	
THREE STAGE FULL FREE LIFT - A271 (S/N A935B01869H →) (S/N A271B02147H →)	8-30
THREE STAGE FULL FREE LIFT - A271 - 3 RD FUNCTION HOSES (→ S/N A271B02146H) (→ S/N A935B01868H)	8-22
THREE STAGE FULL FREE LIFT - A271 - 4 TH FUNCTION HOSES (→ S/N A271B02146H) (→ S/N A935B01868H)	8-26
THREE STAGE FULL FREE LIFT - C662 - 3 RD FUNCTION HOSES (→ S/N C662B02349H) (→ S/N A935B01868H)	8-52
THREE STAGE FULL FREE LIFT - C662 - 4 TH FUNCTION HOSES (→ S/N A935B01868H) (→ S/N C662B02349H)	8-54
THREE STAGE FULL FREE-LIFT - C662 (S/N A935B01869H →) (S/N C662B02350H →)	8-58
TWO STAGE FULL FREE- LIFT - A272	9-40
TWO STAGE FULL FREE LIFT - C663 - 3 FUNCTION (→ S/N C663B01671H) (→ S/N A935B01868H)	9-18
TWO STAGE FULL FREE LIFT - C663 - 4TH FUNCTION (→ S/N C663B01671H) (→ S/N A935B01868H)	9-20
TWO STAGE LIMITED FREE LIFT - A270 (→ S/N A270B01595H)	7-14
TWO STAGE LIMITED FREE LIFT - A270 (S/N A270B01596H →)	7-16
TWO STAGE LIMITED FREE-LIFT - C661 (→ S/N C661B01676H)	7-32
TWO STAGE LIMITED FREE-LIFT - C661 (S/N C661B01677H →)	7-34
TWO-STAGE FULL FREE-LIFT - C663 (S/N A935B01869H →) (S/N C663B01672H →)	9-22
HEADER HOSE CONVERSION KITS	
HOOD AND COUNTERWEIGHT COVER	
LATE PRODUCTION	1-42
WITH RAPID CHARGE OPTION	1-46
HOOD AND COVERS	
EARLY PRODUCTION	1-38
HYDRAULIC CONTROL VALVE	
MANUAL - 3 AND 4 FUNCTION (S/N A935B02891K →)	6-32
HYDRAULIC CONTROLS	
ELECTRO-HYDRAULIC	6-44
MANUAL	6-20
HYDRAULIC CONVERSION KITS	11-2
HYDRAULIC FILTER HOUSING	6-12
HYDRAULIC HOSE CONVERSION KITS	11-2
HYDRAULIC HOSES AND FITTINGS	
AUXILIARY HOSES	6-18
STEERING	6-16
SUPPLY AND RETURN	6-14
HYDRAULIC LEVERS - LINKAGE ASSEMBLY (MANUAL)	6-24

TABLE OF CONTENTS (continued)

DESCRIPTION	PAGE
HYDRAULIC MOTOR ASSEMBLY	6-6
HYDRAULIC POWER UNIT INSTALLATION	6-2
HYDRAULIC PUMP AND MOTOR MOUNTING	6-4
HYDRAULIC PUMP ASSEMBLY	6-8
HYDRAULIC TANK ASSEMBLY	6-10
I	
IMPACT SENSOR	10-44
INLET SECTION	
ELECTRO-HYDRAULIC CONTROL VALVE	6-48
MANUAL HYDRAULIC CONTROL VALVE	6-36
INTEGRAL SIDE-SHIFT	
FORK POSITIONER - TWO STAGE LIMITED FREE-LIFT	10-32
FORK POSITIONER - THREE STAGE FULL FREE-LIFT	10-34
FORK POSITIONER - TWO STAGE FULL FREE-LIFT	10-36
INTEGRAL SIDE-SHIFT CYLINDER	10-38
L	
LABELS	
EXTERIOR	1-94
HYDRAULIC CONTROL FUNCTIONS	1-98
INTERIOR	1-96
LIFT CYLINDER ASSEMBLY	
TWO STAGE LIMITED FREE LIFT - A270	7-10
TWO STAGE LIMITED FREE LIFT - C661	7-26
LIFT/TILT SECTION	
ELECTRO-HYDRAULIC CONTROL VALVE	6-50
LIFT/TILT/AUXILIARY SECTION	
MANUAL HYDRAULIC CONTROL VALVE	6-38
LIGHT/ALARM ADD-ON OPTIONS KITS	11-4
LOAD BACKREST EXTENSION	1-100
M	
MAIN LIFT ASSEMBLY	
THREE STAGE FULL FREE LIFT - A271	8-6
THREE STAGE FULL FREE LIFT - C662	8-38
TWO STAGE FULL FREE- LIFT - A272	9-28
TWO STAGE FULL FREE LIFT - C663	9-6
MAIN LIFT CYLINDER ASSEMBLY	
THREE STAGE FULL FREE LIFT - A271	8-16
THREE STAGE FULL FREE LIFT - C662	8-44
MAIN LIFT CYLINDER LH	
TWO STAGE FULL FREE LIFT - C663	9-8
TWO STAGE FULL FREE LIFT - A272	9-30
MAIN LIFT CYLINDER RH	
TWO STAGE FULL FREE- LIFT - C663	9-10
TWO STAGE FULL FREE- LIFT - A272	9-32
MAST ASSEMBLY	
THREE STAGE FULL FREE LIFT - A271 - INNER, INTERMEDIATE AND OUTER (→ S/N A271B02146H)	
.....	8-2

TABLE OF CONTENTS (continued)

DESCRIPTION	PAGE
THREE STAGE FULL FREE LIFT - A271 - INNER, INTERMEDIATE AND OUTER (S/N A271B02147H →)	8-4
THREE STAGE FULL FREE LIFT - C662 - INNER, INTERMEDIATE AND OUTER (→ S/N C662B02349H)	8-34
THREE STAGE FULL FREE LIFT - C662 - INNER, INTERMEDIATE AND OUTER (S/N C662B02350H →)	8-36
TWO STAGE FULL FREE LIFT - C663 (→ S/N C663B01671H)	9-2
TWO STAGE FULL FREE LIFT - C663	9-4
TWO STAGE FULL FREE- LIFT - A272	9-26
TWO STAGE LIMITED FREE LIFT - A270 (→ S/N A270B01595H)	7-2
TWO STAGE LIMITED FREE LIFT - A270 (S/N A270B01596H →)	7-6
TWO STAGE LIMITED FREE LIFT - C661 (→ S/N C661B01676H)	7-18
TWO STAGE LIMITED FREE LIFT - C661 (S/N C661B01677H →)	7-22
MAST/TILT CYLINDER INSTALLATION	6-56
MASTER CYLINDER	5-4
MINI-LEVER CONTROLS	
3 FUNCTION	2-82
4 FUNCTION	2-84
MIRROR	
CONVEX REAR VIEW	10-14
DUAL REAR VIEW	10-16
MISCELLANEOUS ADD-ON OPTION KITS	11-4
O	
OUTLET SECTION	
MANUAL HYDRAULIC CONTROL VALVE	6-40
OVERHEAD GUARD	
→ S/N A935B02293J	1-80
S/N A935B02294J →	1-82
P	
PARKING BRAKE RELEASE	5-6
POSITIONER SENSOR	
MANUAL HYDRAULIC CONTROL VALVE	6-42
R	
REAR REFLECTORS	10-8
REVERSE HANDLE	10-18
S	
SEAT	
FULL SUSPENSION, HIGH BACK - SHEET 1 OF 2	1-60
FULL SUSPENSION, HIGH BACK - SHEET 2 OF 2	1-64
SEATS	
FULL SUSPENSION - SHEET 1 OF 2	1-54
FULL SUSPENSION - SHEET 2 OF 2	1-58
SIDE PANELS	1-50
STATIC STRAP	1-102
STEER AXLE ASSEMBLY	4-6
STEER AXLE MOUNTING	4-4

TABLE OF CONTENTS (continued)

DESCRIPTION	PAGE
STEER COLUMN	
FIXED	4-10
TELESCOPIC	4-12
STEER TIRE AND WHEEL ASSEMBLY	4-2
STEERING ACCUMULATOR	4-14
STEERING HAND PUMP ASSEMBLY	4-16
STROBE LIGHT ASSEMBLY AND REAR WORK LIGHT	10-10
T	
TIE RODS	
ELECTRO-HYDRAULIC CONTROL VALVE	6-52
MANUAL HYDRAULIC CONTROL VALVE	6-41
TILT CYLINDER ASSEMBLY	6-54
TILT SENSOR GROUP	2-26
TRACTION MOTOR ASSEMBLY	3-8
TRANSMISSION	
COVER AND BRAKE DISCS	3-4
HOUSING	3-6
W	
WIRE HARNESS	
CAB ACCESSORY	2-76
CAB ACCESSORY - ALTERNATE PART	2-80
DC CONVERTER (→ PENDING PER ECN 13416125)	2-70
DC CONVERTER (PENDING PER ECN 13416125 →)	2-72
DC/DC CONVERTER - ALTERNATE PART	2-74
DISPLAY, PREMIUM - FREEZER OPTION	2-28
DISPLAY, STANDARD	2-27
HEATER	2-62
HYDRAULIC FLUID LEVEL AND PRESSURE	2-77
LIGHTS WITH OVERHEAD GUARD	2-78
MAIN-ELECTRO-HYDRAULIC - PAGE 1 OF 2 (→ S/N A935B01907H)	2-30
MAIN-ELECTRO-HYDRAULIC - PAGE 1 OF 2 (S/N A935B01908H →)	2-34
MAIN-ELECTRO-HYDRAULIC - PAGE 2 OF 2 (→ S/N A935B01907H)	2-38
MAIN-ELECTRO-HYDRAULIC - PAGE 2 OF 2 (S/N A935B01908H →)	2-42
MAIN-MANUAL-HYDRAULIC - PAGE 1 OF 2 (→ S/N A935B01914H)	2-46
MAIN-MANUAL-HYDRAULIC - PAGE 1 OF 2 (S/N A935B01915H →)	2-50
MAIN-MANUAL-HYDRAULIC - PAGE 2 OF 2 (→ S/N A935B01914H)	2-54
MAIN-MANUAL-HYDRAULIC - PAGE 2 OF 2 (S/N A935B01915H →)	2-58
MANUAL HYDRAULICS	2-67
MANUAL INTERLOCK	2-66
REAR WIPER	2-75
STEER COLUMN	2-69
SYNCHRONOUS STEERING	2-68
TURN SIGNAL	2-64

ABBREVIATIONS QUICK REFERENCE SHEET

Listed below are abbreviations used in parts manuals to denote the following expressions:

TERM	DEFINITION	TERM	DEFINITION
Amp	Amperes	FRE	Freezer Environment
AR	As Required	in.	inches
BDI	Battery Discharge Indicators	LPG	Liquefied Petroleum Gas
BWI	Brush Wear Indicator	MAP	Manifold Absolute Pressure
CE	Communicator End	mm	millimeters
CRE	Corrosive Environment	MSTS	Microprocessor Spark Timing System
D/B	Date Break	NPT	National Pipe Threads
dbA	Decibel "A" Scale	O/S	Oversize
DE	Drive End	PTO	Power Take Off
ECH	Empty Container Handler	RPM	Revolutions per Minute
ECH-3	Empty Container Handler - 3 High Stacking	S/N	Serial Number
ECH-4	Empty Container Handler - 4 High Stacking	TMM	Truck Management Module
ECH-5	Empty Container Handler - 5 High Stacking	UL Type D	Diesel-Powered Safety Rating
ECH-6	Empty Container Handler - 6 High Stacking	UL Type DS	Diesel-Powered Safety Rating
ECH-7	Empty Container Handler - 7 High Stacking	UL Type E	Battery-Powered Safety Rating
ECM	Electronic Control Module	UL Type EE	Battery-Powered Safety Rating
ECN	Engineering Change Notice	UL Type ES	Battery-Powered Safety Rating
EEPROM	Electrically Erasable Programmable Read Only Memory	UL Type G	Gasoline-Powered Safety Rating
EPA	US Environmental Protection Agency	UL Type GS	Gasoline-Powered Safety Rating
EPROM	Electrically Programmable Read Only Memory	UL Type LP	Gas-Powered Safety Rating
		UL Type LPS	LP Gas-Powered Safety Rating
		U/S	Undersize
		UL	Underwriters Laboratory
		V	Volts

HOW TO USE THE ILLUSTRATED PARTS MANUAL

This parts manual describes and illustrates assemblies, subassemblies, and detail parts needed for service replacement.

The different constructions are indicated by keys and footnotes. The callouts correspond to descriptions found on the next page.

The diagram illustrates the structure of the parts manual with the following sections and callouts:

- 1:** TABLE OF CONTENTS
- 2:** SECTIONS
- 3:** Description and Page table
- 4:** SECTION 11 NUMERICAL INDEX
- 5:** Key (A: Diesel, B: Gasoline and LPG)
- 6:** TRANSMISSION HOUSING (S/N G160-2628)
- 7:** Item list for Transmission Housing
- 8:** Item list for Transmission Housing (continued)
- 9:** Item list for Transmission Housing (continued)
- 10:** Item list for Transmission Housing (continued)

SECTION 11 NUMERICAL INDEX

PART NO.	PG	ITEM	PART NO.	PG	ITEM	PART NO.	PG	ITEM		
138	5-9	31	5-17	42	16481	6-25	3	16882	6-7	28
	5-13	31	7-13	8		6-25	4	16883	6-25	8
139	5-9	32	1-3	6		6-26	53	16882	6-25	5
	5-13	32	1-4	45		6-26	65		7-5	25
12921	3-12	10	5-9	16		10-3	16		8-5	24
14269	5-5	8	5-13	16	16483	6-26	48	16989	6-25	10
					16484	6-11	3	17051	7-5	19
						6-11	9		8-5	13
						6-13	101		9-5	13
						6-25	7		6-25	6
						6-25	8	17061	3-9	24
						6-25	11	17151	3-11	26
						6-25	20		6-25	22
						9-7	7	17776		

TRANSMISSION HOUSING (S/N G160-2628)

KEY:
A: Diesel
B: Gasoline and LPG

ITEM	PART NO.	DESCRIPTION	QTY
			A B
		Transmission	1
	2022547	Transmission	1
	2023329	Transmission	2
	2064470	Case	4
1	2023418	Bearing Cap	1
2	296426	Washer	2
3	293692	Capscrew	2
4	2021390	Cover	4
5	1371656	Cotter Pin	1
6	2021329	O-Ring	4
7	2021915	Plug	22
8	2021675	Housing	39
9	2021336	Pin	1
10	287860	Capscrew	1
11	292682	Lockwasher	8
12		Hydraulic Pump (see Figure 6-6)	8
13	2021345	Gasket	1
14	214364	Capscrew	1
15	296418	Washer	1
16	2021388	Temperature Switch	1
17	2021389	Breather	9
18	2021383	Dipstick	9
19	292515	Capscrew	2
20	136692	Nut	3
21	292527	Capscrew	4
22	292531	Capscrew	4
23	292693	Lockwasher	4
24	293637	Capscrew	1
25	296420	Washer	1
	996403	Transmission Kit (Include Item 7)	1
	996405	Transmission Kit (Include Item 14)	1

This Parts Manual is divided into 11 major sections which are listed above. Quick reference can be made by placing the right thumb on the tab of the desired section, bending the bottom edge of the manual, and turning the pages to the corresponding tab.

©2001 HYSTER COMPANY See Service Manual for service procedures. 3-15

HP990135

HOW TO FIND THE DESIRED PART NUMBER**WHEN THE PART NUMBER AND THE NEXT HIGHER ASSEMBLY IS NOT KNOWN:**

1. Determine the function and application of the part required. Turn to the Sections Page. Choose the general area of reference most likely to include the part.
2. Turn to the section you chose. Use the Section Table of Contents to determine the assembly which would normally contain the part required. Then locate the part on the assembly breakdown page.

WHEN THE PART NUMBER IS NOT KNOWN AND THE NEXT HIGHER ASSEMBLY IS KNOWN:

3. Determine the assembly the required part is used on. Turn to the Table of Contents (Page i).
4. Locate the assembly the required part is used on and turn to the page indicated for that assembly. Then locate the part on the assembly breakdown page.

WHEN THE PART NUMBER IS KNOWN:

5. Use the Numerical Index (Page 12-1) to find the part number. Turn to the page listed and locate the part as indicated by the item number.

GENERAL:

The assembly breakdowns include part numbers, descriptions, quantities required, keys and footnotes to help in selecting correct parts.

6. Parts Supersession Information. Part numbers that have this history will be displayed in the parts list in the order that they were superseded (from oldest to newest). The superseded part numbers will be shown with a line through them.

Five periods in the PART NO. column (.) indicate that the part is either *Not Serviced Separately* or there is a reference to another figure. A figure reference is denoted by a pointing hand followed by a figure number in the DESCRIPTION column (☞ Figure 10)

7. Keys are used to show two or more similar assemblies, RH and LH assembly parts, etc. Select the appropriate key, "A", "B", "C", "D", or "E" and the corresponding quantity column to find the required parts. Two periods in the QTY column (..) indicate that the part is not used for that assembly.
8. Indented descriptions under the DESCRIPTION column are used to indicate assemblies and

subparts of assemblies. In the example on the previous page, *BEARING CAP* (Item 2) is a subpart of the major assembly *CASE*.

9. Quantities shown are for one assembly. The quantities of the subpart *BEARING CAP* are indicated as two and two. This means two per *CASE* assembly.
10. Serial number breaks identify the most current parts information and are shown as follows:
 - **S/N D001H2628**
Indicates last serial number affected.
 - S/N D001H2629** →
Indicates the first serial number affected.
 - S/N D001H1553** ↔ **S/N D001H3291**
Indicates a range of serial numbers affected.

ECN numbers for pending serial numbers are shown to allow for the inclusion of the most current parts information and are identified as follows:

→ **S/N Pending Per ECN 63243**

Indicates a pending serial number for last unit affected.

S/N Pending Per ECN 63243 →

Indicates a pending serial number for first unit affected.

Date breaks are used to indicate when a change occurred but a subsequent serial number break was not recorded. This is an arbitrary date usually based on the ECN release and are identified as follows:

→ **D/B 3/00**

Indicates that a change occurred sometime within that month for the item affected.

D/B 3/00 →

Indicates that a change occurred sometime within that month for the item affected.

D/B 3/00 ↔ **D/B 4/00**

Indicates a range of production dates of the item affected.

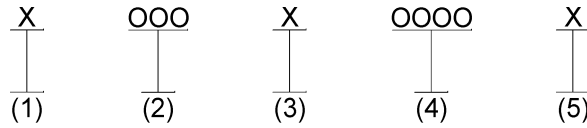
Contact your local dealer for Hyster lift trucks for serial number information for items with a ECN or a date break.

ORDERING PARTS:

When ordering replacement parts, give the unit serial number, part number, name of part and quantity required.

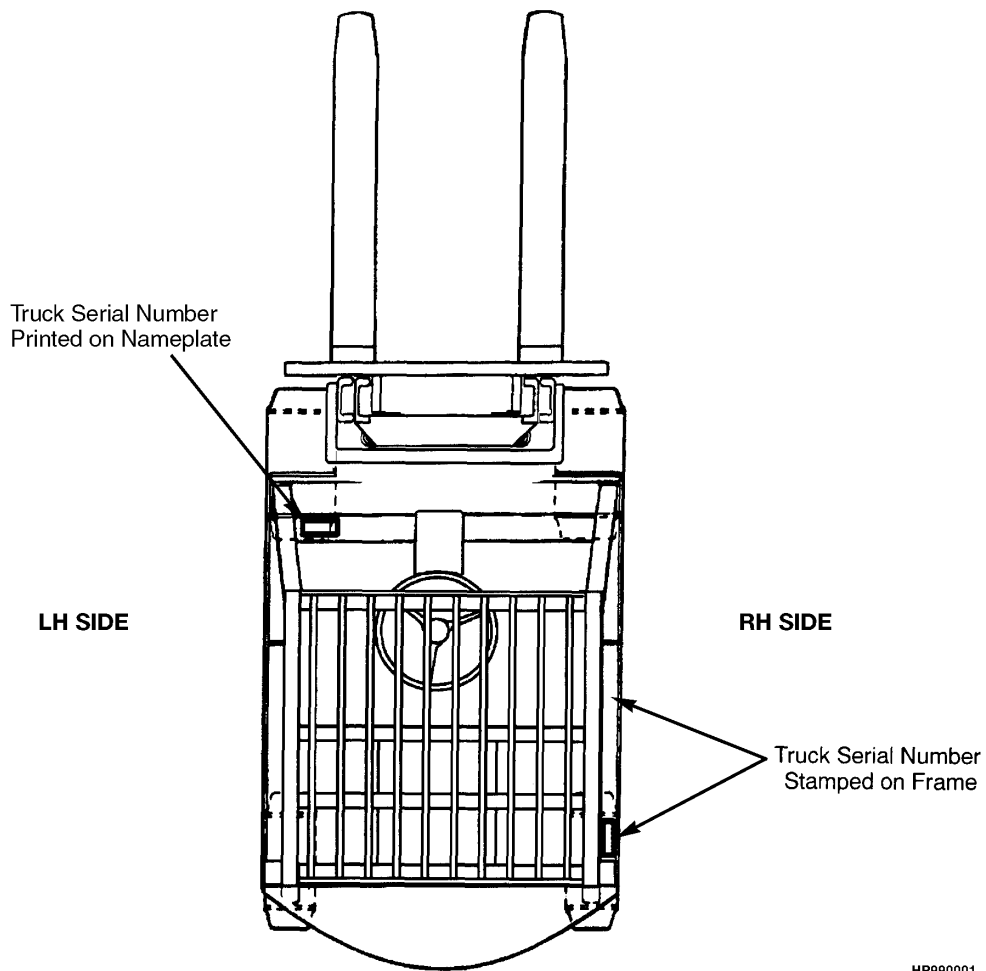
For any further information on parts, service, or ordering, consult your local dealer for Hyster lift trucks.

IDENTIFICATION OF TRUCK SERIAL NUMBERS

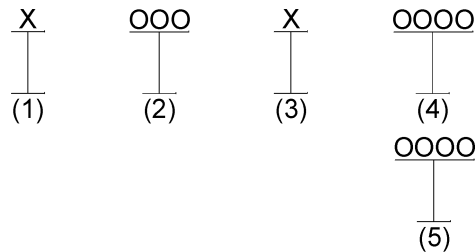


- (1) and (2) The first letter and three numbers indicate the truck unit code.
- (3) The second letter indicates the plant of manufacture.
- (4) The four or five digit number indicates the production sequence number of the truck.
- (5) The final letter indicates the year of manufacture starting with "A" in 1957, 1980, and 2003.
The letters "I", "O", and "Q" will not be used.

For pending serial numbers contact your local dealer for Hyster lift trucks.



Parts referred to in this book as right or left hand parts are in accordance with the illustration above.

IDENTIFICATION OF MAST SERIAL NUMBERS

- (1) and (2) The first letter and number indicates the mast unit code.
- (3) The second letter indicates the plant of manufacture.
- (4) The four or five digit number indicates the production sequence number of the mast.
- (5) Carriage travel in millimeters stamped just below the serial number.

Mast Group identification consists of mast unit code (1) and (2) plus carriage travel (5).

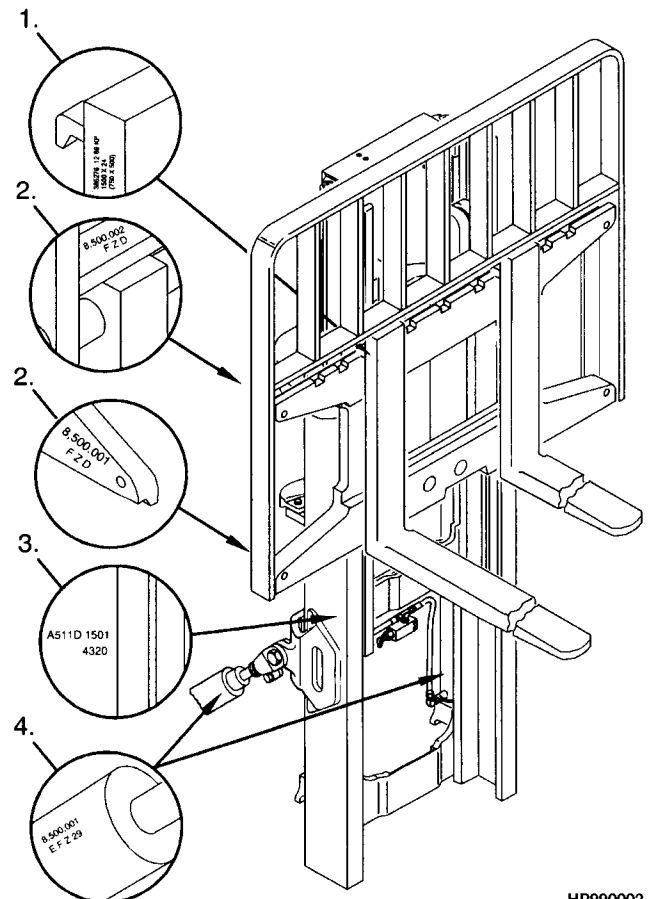
For pending production sequence numbers contact your local dealer for Hyster lift trucks.

LIFT EQUIPMENT IDENTIFICATION

1. Fork part number, capacity rating, plant code letter, and date of manufacture are stamped approximately six inches below the top of most forks.
2. The carriage group number is stamped on the right hand side of the top crossmember (pin type) or on the back of the right hand end of the bottom crossmember (hook type). A date code has two letters in line with or below the carriage group number.
3. The mast identification number has a unit code, a letter indicating the plant of manufacture, and a serial number. Underneath the production sequence number is a four digit number that indicates the carriage travel in millimeters.
4. Tilt and lift cylinder group numbers are stamped on the cylinder shell.

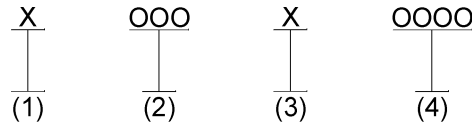
Always refer to the group, serial, or part number when ordering service parts.

Modification of masts and carriages by SPED (Special Products Engineering Department) are identified by a model prefix code beginning with the letter "S". contact your dealer for Hyster lift trucks for information on these assemblies.



HP990002

IDENTIFICATION OF ATTACHMENT AND SIDE-SHIFT CARRIAGE SERIAL NUMBERS

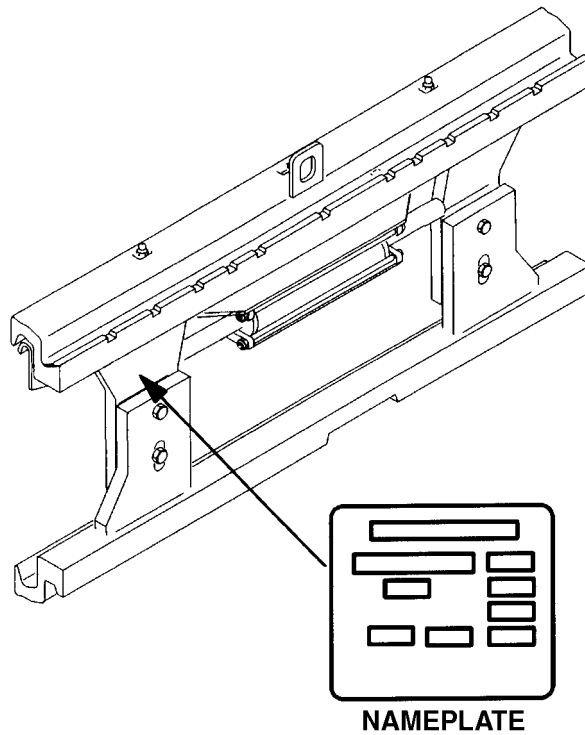


(1) and (2) The first letter and three numbers indicate the attachment unit code.

(3) The second letter indicates the plant of manufacture.

(4) The four or five digit number indicates the production sequence number.

For pending production sequence numbers contact your local dealer for Hyster lift trucks.



HP990003

Side-shift carriages and attachments have nameplates. Use the serial number found on the nameplate to identify the attachment.

Always refer to the group, serial, or part number when ordering service parts.

Modifications of attachments and side-shift carriages by SPED (Special Products Engineering Department) are identified by a model prefix code beginning with the letter "S". Contact your dealer for Hyster lift trucks for information on these assemblies.

PUBLICATIONS

Every new lift truck is provided with an OPERATING MANUAL. This manual has information that the operator must know for inspection and operation of the lift truck.

SERVICE MAINTENANCE MANUALS, which provide service and overhaul procedures, and PARTS

MANUALS with complete replacement part identification, are available at a nominal fee from your Hyster dealer to assist users in effectively maintaining Hyster lift trucks in a safe, useful condition. See the list below for information on ordering specific publications for this model lift truck.

PUBLICATION	HYSTER PART NUMBER
Operating Manual.....	1688716
Service Manual (Complete).....	1690047
Parts Manual.....	1690088

1

FRAME

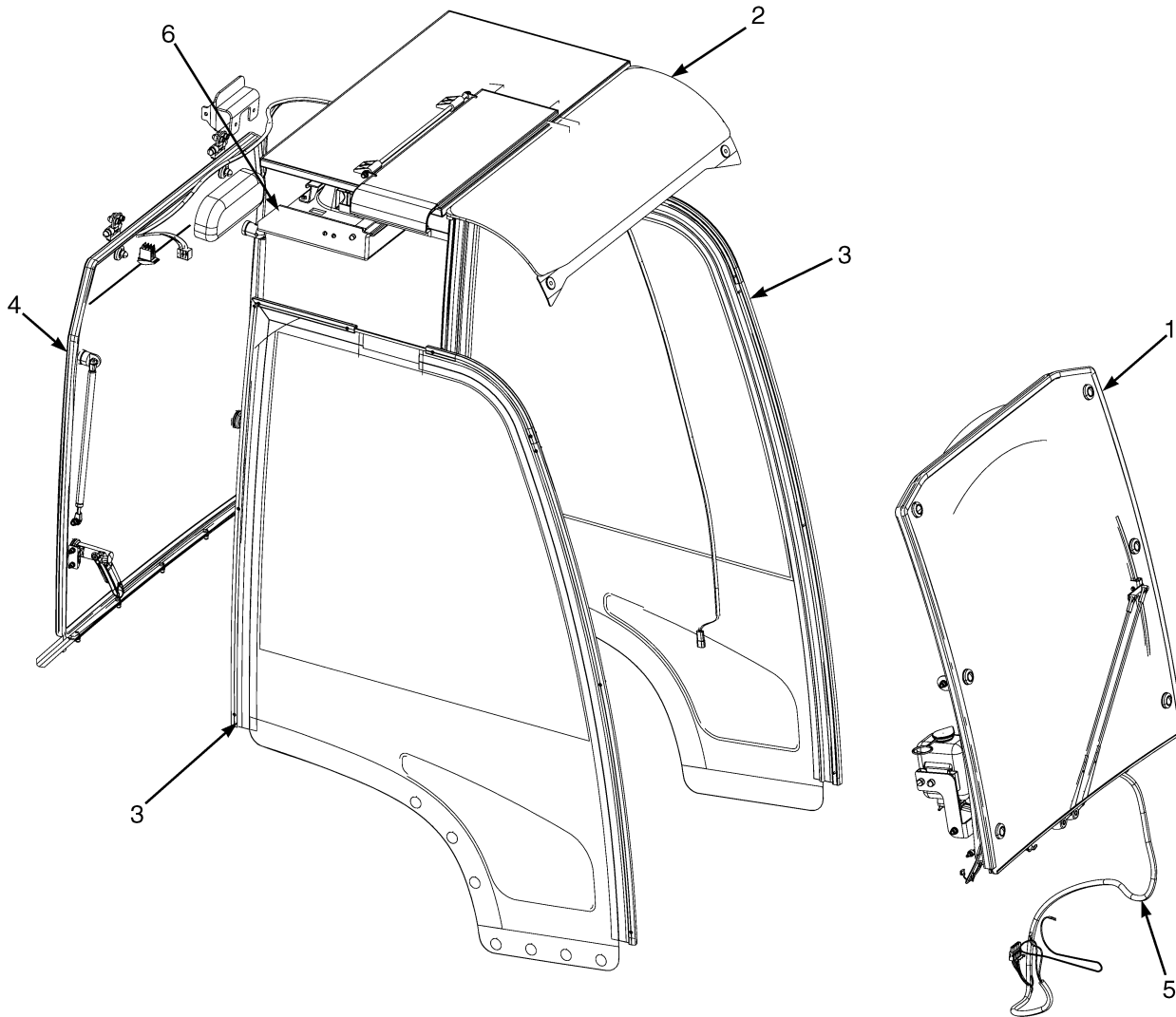
SECTION 1
FRAME

DESCRIPTION	PAGE
ARMREST SLIDER ASSEMBLY	
→ 9/2010	1-66
9/2010 →	1-68
BATTERY RETENTION	
→ S/N A935B02293J	1-90
S/N A935B02294J →	1-92
BATTERY TRAY OPTIONS	
DROP-IN	1-84
SIDE REMOVAL (S/N A935B02294J →)	1-88
SIDE-REMOVAL (→ S/N A935B02293J)	1-86
CAB	
FRONT PANEL ASSEMBLY	1-20
FRONT WIPER ASSEMBLY	1-28
HEADLINER ASSEMBLY	1-30
HEATER	1-32
HEATER ASSEMBLY	1-34
HEATER ASSEMBLY - ALTERNATE HEATER	1-36
PVC DOORS	1-6
REAR PANEL AND WIPER ATTACHMENT	1-24
REAR PANEL ASSEMBLY	1-26
STEEL DOOR ASSEMBLY - RIGHT HAND	1-12
STEEL DOOR ASSEMBLY - LEFT HAND	1-14
STEEL DOORS	1-10
TOP PANEL ASSEMBLY	1-22
WINDOW - STEEL DOOR, RIGHT HAND	1-16
WINDOW - STEEL DOOR, LEFT HAND	1-18
CAB ASSEMBLY	
FULL STEEL CAB	1-8
WITH PVC DOORS	1-4
COUNTERWEIGHT	1-78
COWL AND MOUNTING	
→ S/N A935B02293J	1-70
S/N A935B02294J →	1-72
DASH AND STEERING COLUMN COVERS	
FIXED COLUMN	1-74
TELESCOPIC COLUMN	1-76
FLOOR PLATES	1-52
FORKS	1-103
OPTIONAL	1-104
HOOD AND COUNTERWEIGHT COVER	
LATE PRODUCTION	1-42
WITH RAPID CHARGE OPTION	1-46
HOOD AND COVERS	
EARLY PRODUCTION	1-38
LABELS	
EXTERIOR	1-94
HYDRAULIC CONTROL FUNCTIONS	1-98
INTERIOR	1-96
LOAD BACKREST EXTENSION	1-100

**SECTION 1
FRAME**

DESCRIPTION	PAGE
OVERHEAD GUARD	
→ S/N A935B02293J	1-80
S/N A935B02294J →	1-82
SEAT	
FULL SUSPENSION, HIGH BACK - SHEET 1 OF 2	1-60
FULL SUSPENSION, HIGH BACK - SHEET 2 OF 2	1-64
SEATS	
FULL SUSPENSION - SHEET 1 OF 2	1-54
FULL SUSPENSION - SHEET 2 OF 2	1-58
SIDE PANELS	1-50
STATIC STRAP	1-102

CAB ASSEMBLY (FIGURE 1-1) WITH PVC DOORS

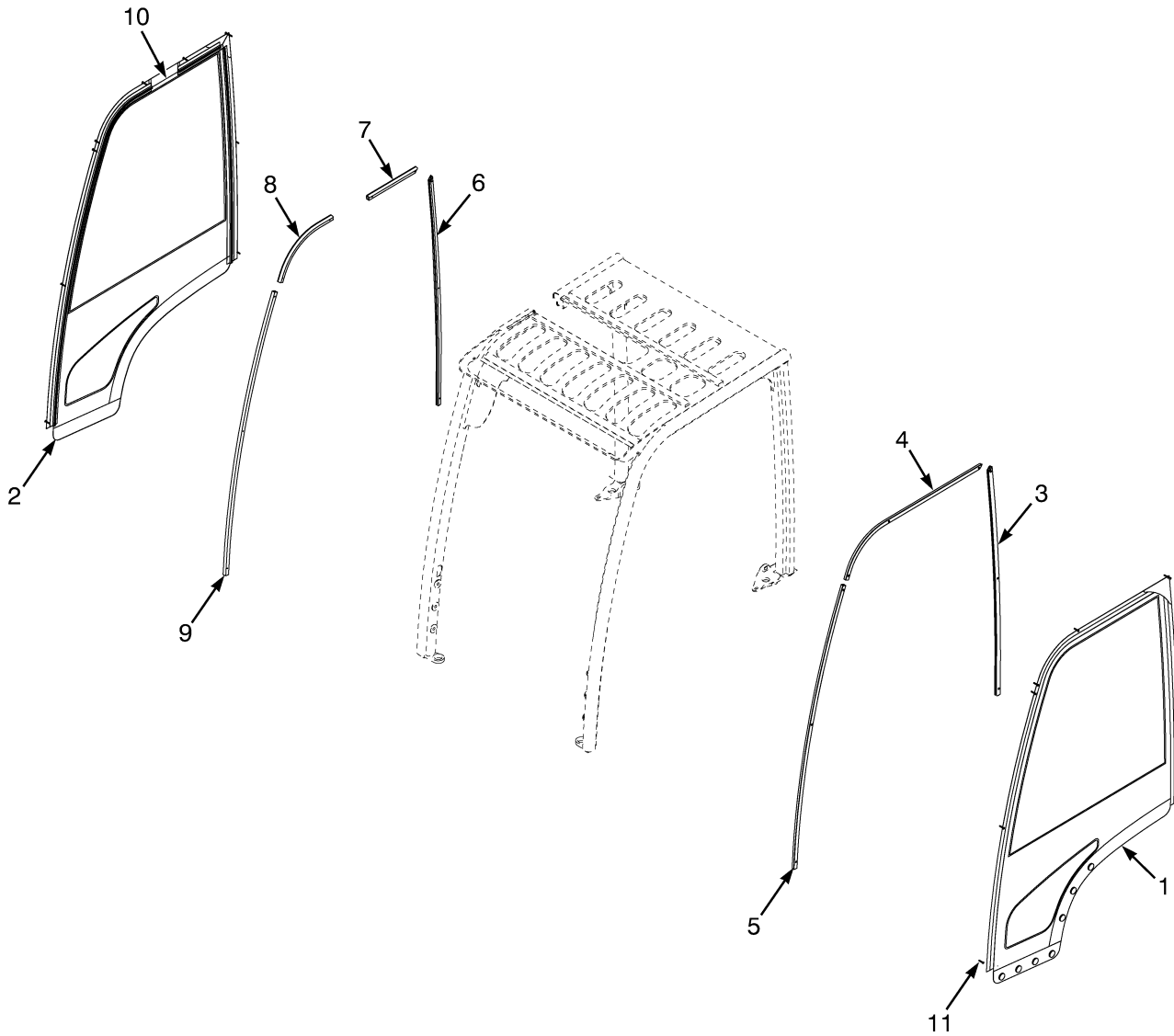


BP120603

**CAB ASSEMBLY
WITH PVC DOORS****KEY:****A: 546mm Battery Compartment****B: 642mm Battery Compartment****C: 750mm Battery Compartment**

ITEM	PART NO.	DESCRIPTION	QTY		
			A	B	C
1	1662391	Kit-Front Screen (Front Panel Assembly) (☞Figure 1-9).....	1	1	1
2	1661959	Cab (Top Panel Assembly) (☞Figure 1-10).....	1
2	1661960	Cab (Top Panel Assembly) (☞Figure 1-10).....	..	1	..
2	1661961	Cab (Top Panel Assembly) (☞Figure 1-10).....	1
3	2107017	Cab (Door Assembly, PVC) (☞Figure 1-2).....	1
3	2107018	Cab (Door Assembly, PVC) (☞Figure 1-2).....	..	1	..
3	2107019	Cab (Door Assembly, PVC) (☞Figure 1-2).....	1
4	1661962	Cab (Rear Panel Assembly) (Standard Hood) (☞Figure 1-12).....	1	1	1
4	1661963	Kit-Rear Screen (Low Hood) (☞Figure 1-12).....	1	1	1
5	2107023	Kit-Window Washer (☞Figure 1-13).....	1	1	1
6	2107020	Headliner (☞Figure 1-14).....	1
6	2107021	Headliner (☞Figure 1-14).....	..	1	..
6	2107022	Headliner (☞Figure 1-14).....	1

CAB (FIGURE 1-2) PVC DOORS



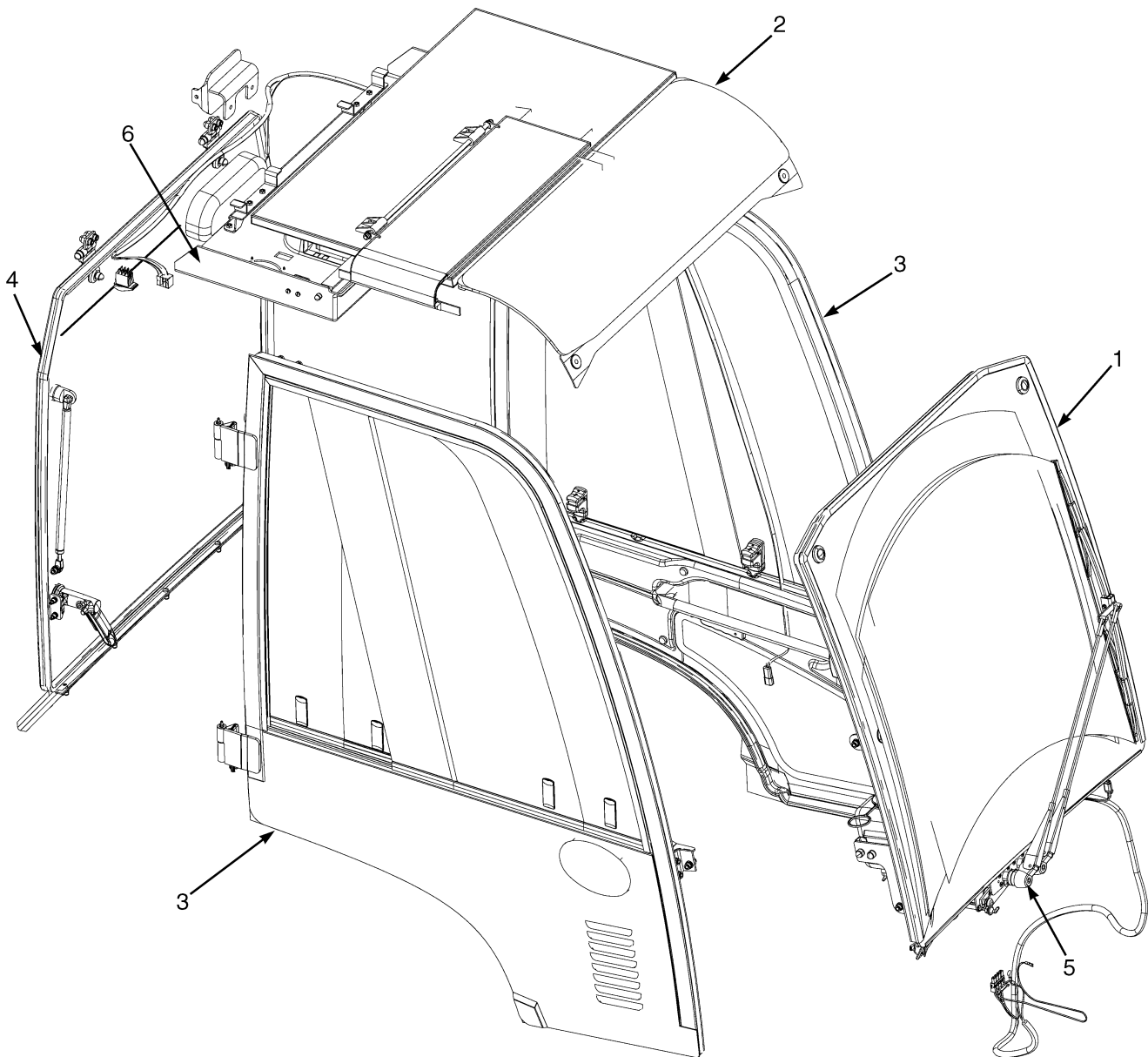
BP200078

**CAB
PVC DOORS****KEY:****A: 546mm Battery Compartment****B: 642mm Battery Compartment****C: 750mm Battery Compartment**

ITEM	PART NO.	DESCRIPTION	QTY		
			A	B	C
	2107017	Cab (Door Assembly, PVC)	1
	2107018	Cab (Door Assembly, PVC)	1	..
	2107019	Cab (Door Assembly, PVC)	1
1	4001966	Door Pvc (LH)	1
1	4001978	Door Pvc (LH)	1	..
1	4001983	Door Pvc (LH)	1
2	4001967	Door Pvc (RH)	1
2	4001979	Door Pvc (RH)	1	..
2	4001984	Door Pvc (RH)	1
3	4001971	Channel	1	1	1
4	4001970	Channel	1
4	4001980	Channel	1	..
4	4001985	Channel	1
5	4001969	Channel	1	1	1
6	4001975	Channel	1	1	1
7	4001974	Channel	1
7	4001982	Channel	1	..
7	4001987	Channel	1
8	4001973	Channel	1
8	4001981	Channel	1	..
8	4001986	Channel	1
9	4001972	Channel	1	1	1
10	4001968	Plate	1	1	1
11	2109965	Capscrew	19	19	19
	a 4001977	Tape	AR	AR	AR
	4000295	Kit (Door Mounting)	1	1	1

FOOTNOTES:**a** Not Illustrated

CAB ASSEMBLY (FIGURE 1-3) FULL STEEL CAB

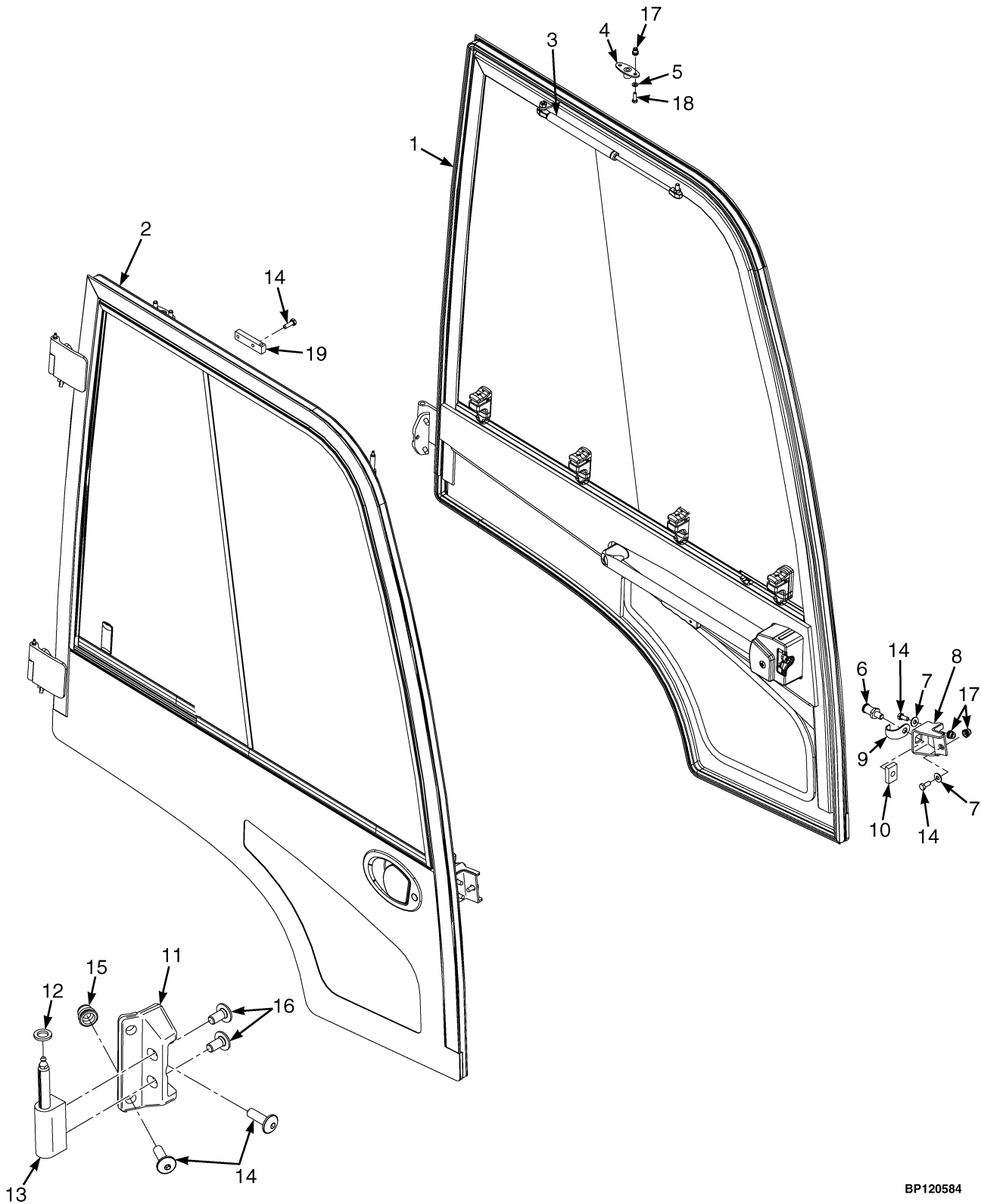


BP120558

CAB ASSEMBLY
FULL STEEL CAB**KEY:****A: 546 mm Battery Compartment****B: 642 mm Battery Compartment****C: 750 mm Battery Compartment**

ITEM	PART NO.	DESCRIPTION	QTY		
			A	B	C
1	1662391	Kit-Front Screen (Front Panel Assembly) (☞Figure 1-9).....	1	1	1
2	1661959	Cab (Top Panel Assembly) (☞Figure 1-10).....	1
2	1661960	Cab (Top Panel Assembly) (☞Figure 1-10).....	..	1	..
2	1661961	Cab (Top Panel Assembly) (☞Figure 1-10).....	1
3	1661964	Cab (Door Assembly) (☞Figure 1-4).....	2
3	1661965	Cab (Door Assembly) (☞Figure 1-4).....	..	2	..
3	1661967	Cab (Door Assembly) (☞Figure 1-4).....	2
4	1661962	Cab (Rear Panel Assembly) (Standard Hood) (☞Figure 1-12).....	1	1	1
4	1661963	Kit-Rear Screen (Low Hood) (☞Figure 1-12).....	1	1	1
5	2107023	Kit-Window Washer (☞Figure 1-13).....	1	1	1
6	2107020	Headliner (☞Figure 1-14).....	1
6	2107021	Headliner (☞Figure 1-14).....	..	1	..
6	2107022	Headliner (☞Figure 1-14).....	1

CAB (FIGURE 1-4) STEEL DOORS

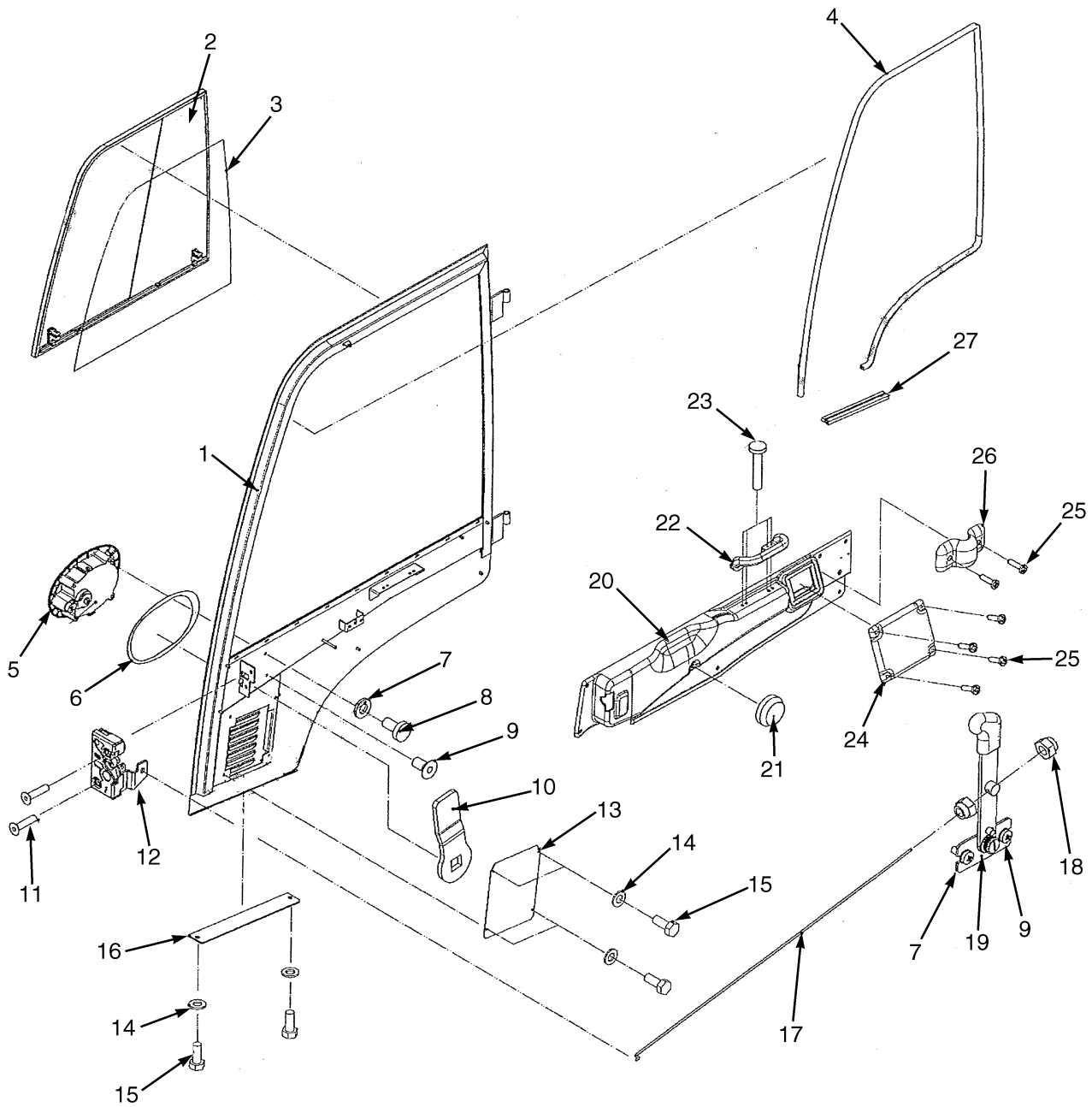


BP120584

**CAB
STEEL DOORS****KEY:****A: 546mm Battery Compartment****B: 642mm Battery Compartment****C: 750mm Battery Compartment**

ITEM	PART NO.	DESCRIPTION	QTY		
			A	B	C
	1661964	Cab (Door Assembly)	1
	1661965	Cab (Door Assembly)	1	..
	1661967	Cab (Door Assembly)	1
1	1662383	Cab (Door Assembly) (LH Assembly) (☞Figure 1-6).....	1
1	1662385	Cab (Door Assembly) (LH Assembly) (☞Figure 1-6).....	..	1	..
1	1662387	Cab (Door Assembly) (LH Assembly) (☞Figure 1-6).....	1
2	1662384	Cab (Door Assembly) (RH Assembly) (☞Figure 1-5).....	1
2	1662386	Cab (Door Assembly) (RH Assembly) (☞Figure 1-5).....	..	1	..
2	1662388	Cab (Door Assembly) (RH Assembly) (☞Figure 1-5).....	1
3	1703724	Gas Spring (LH)	1	1	1
3	1703725	Gas Spring (RH)	1	1	1
4	1694706	Bracket (Gas Spring)	2	2	2
5	320156	Washer	4	4	4
6	1504955	Bolt	2	2	2
7	320158	Washer	6	6	6
8	1694703	Bracket (LH)	1	1	1
8	1694704	Bracket (RH)	1	1	1
9	1504954	Guard	2	2	2
10	1504953	Block (Tapped)	2	2	2
11	1703728	Mounting Plate	4	4	4
12	1468312	Washer	4	4	4
13	1703727	Hinge	4	4	4
14	2109744	Capscrew	20	20	20
15	1531557	Insert	18	18	18
16	2109743	Capscrew	8	8	8
17	1531558	Insert	2	2	2
18	4604314	Capscrew	4	4	4
19	Bracket	1	1	1
	2064554	Loctite	AR	AR	AR
	4000294	Kit (Door Mounting)	1	1	1

CAB (FIGURE 1-5) STEEL DOOR ASSEMBLY — RIGHT HAND



BP120538

CAB
STEEL DOOR ASSEMBLY – RIGHT HAND

KEY:

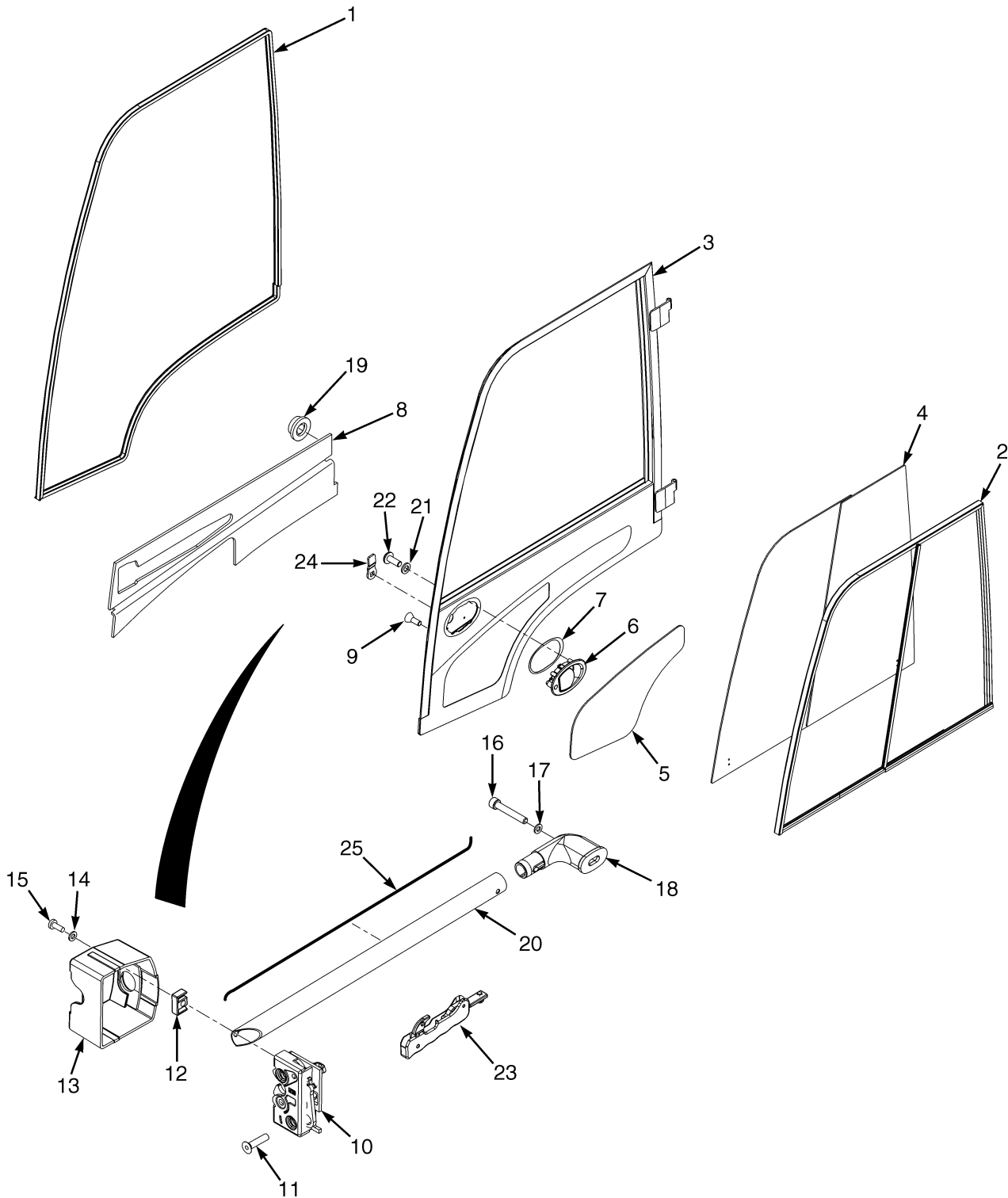
- A: 546mm Battery Compartment**
- B: 642mm Battery Compartment**
- C: 750mm Battery Compartment**

ITEM	PART NO.	DESCRIPTION	QTY		
			A	B	C
	1662384	Cab (Door Assembly)	1
	1662386	Cab (Door Assembly)	1	..
	1662388	Cab (Door Assembly)	1
1	1708242	Door	1
1	1708239	Door	1	..
1	1708230	Door	1
2	1708243	Sliding Window Assembly (☞Figure 1-7).....	1
2	1708240	Sliding Window Assembly (☞Figure 1-7).....	..	1	..
2	1708231	Sliding Window Assembly (☞Figure 1-7).....	1
3	1558294	Seal (4 meters)	AR	AR	AR
4	1515337	Seal	AR	AR	AR
5	1695059	Grip	1	1	1
6	221982	Spring Pin	1	1	1
6	4004139	Seal	1	1	1
7	320156	Washer	3	3	3
8	302047	Screw	3	3	3
9	1708221	Screw	1	1	1
10	1695061	Plate	1	1	1
11	1695062	Screw	2	2	2
12	1558301	Latch	1	1	1
13	1708238	Plate	1	1	1
14	1558055	Washer	6	6	6
15	2046866	Capscrew	6	6	6
16	1708237	Plate	1	1	1
17	1708233	Lever	1	1	1
18	1492221	Nut	1	1	1
19	1598410	Lever	1	1	1
20	1708244	Door Panel	1
20	1708241	Enclosure	1	..
20	1708232	Cover	1
21	1598389	Fastener	7	7	7
22	1598406	Handle	1	1	1
23	1598399	Screw	4	4	4
24	1708235	Cover	1	1	1
25	1468319	Screw	6	6	6
26	1708236	Clamp	1	1	1
27	1708234	Seal	AR	AR	AR
	a 1593629	Key (For Cab Door Grip)	1	1	1

FOOTNOTES:

a Not Illustrated

CAB (FIGURE 1-6) STEEL DOOR ASSEMBLY — LEFT HAND



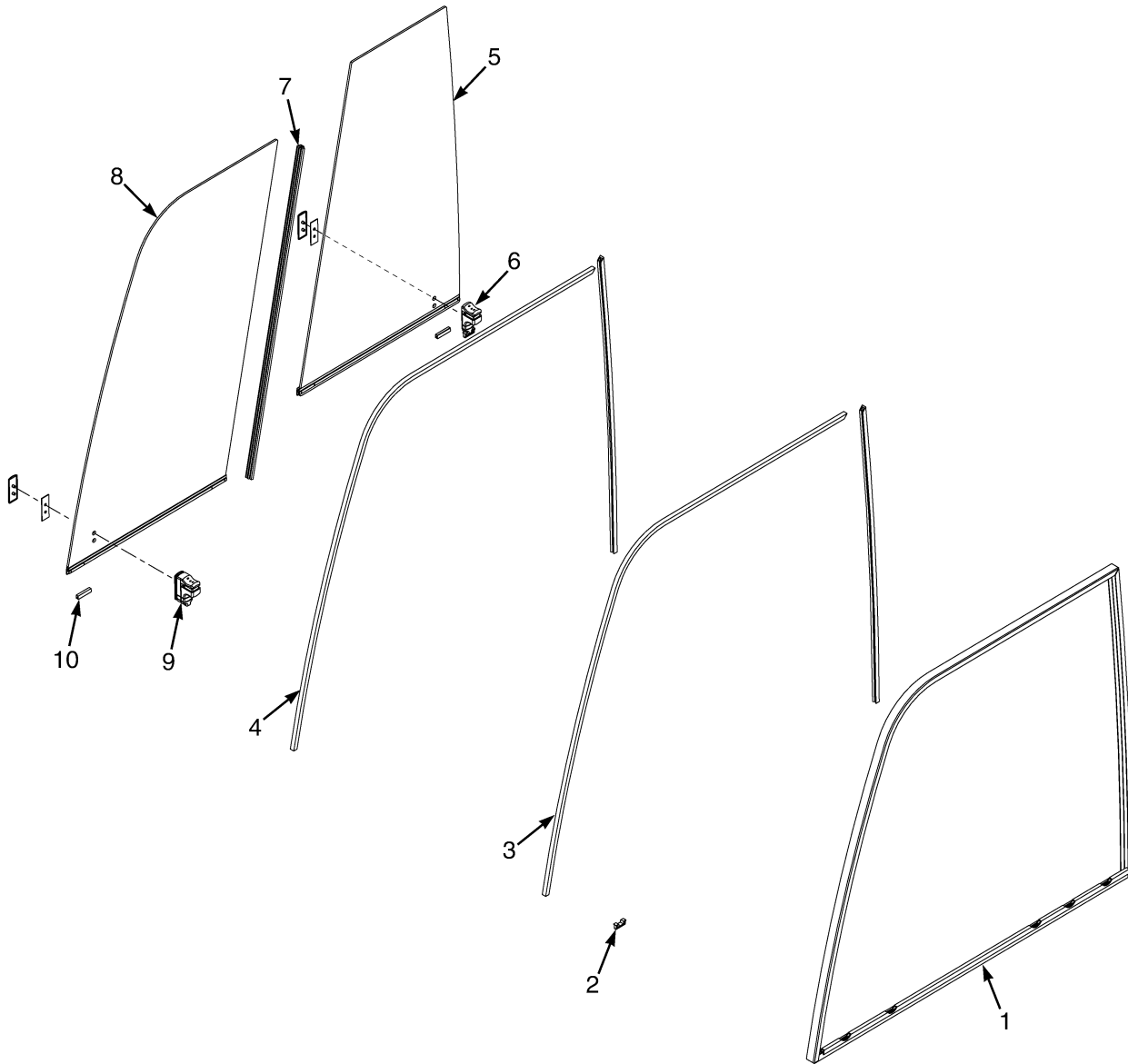
BP120583

CAB
STEEL DOOR ASSEMBLY – LEFT HAND**KEY:****A: 546mm Battery Compartment****B: 642mm Battery Compartment****C: 750mm Battery Compartment**

ITEM	PART NO.	DESCRIPTION	QTY		
			A	B	C
	1662383	Cab (Door Assembly)	1
	1662385	Cab (Door Assembly)	1	..
	1662387	Cab (Door Assembly)	1
1	1515337	Seal	AR	AR	AR
2	1708226	Sliding Window (☞Figure 1-8).....	1
2	1708217	Sliding Window (☞Figure 1-8).....	..	1	..
2	1708223	Sliding Window (☞Figure 1-8).....	1
3	1708225	Door	1
3	1708228	Door	1	..
3	1708229	Door	1
4	1558294	Seal	1	1	1
5	1708218	Screen	1	1	1
6	1695059	Grip	1	1	1
7	4004139	Seal	1	1	1
8	1708227	Cover	1
8	1708219	Cover	1	..
8	1708224	Cover	1
9	1708221	Screw	1	1	1
10	1558446	Latch	1	1	1
11	1695062	Screw	2	2	2
12	1558302	Plate	1	1	1
13	1489751	Cover	1	1	1
13	4004140	Lockplate (Alternate Part)	1	1	1
14	1558303	Washer	1	1	1
15	1468311	Screw	1	1	1
16	1695066	Screw	1	1	1
17	1695065	Washer	1	1	1
18	1695064	Door Handle	1	1	1
19	1598389	Fastener	7	7	7
20	1695063	Tube	1	1	1
21	320156	Washer	3	3	3
22	1506668	Screw	3	3	3
23	1558305	Lock	1	1	1
24	1695061	Plate	1	1	1
25	1695067	Rod	1	1	1
	a 1593629	Key (For Cab Door Grip)	1	1	1

FOOTNOTES:**a** Not Illustrated

**CAB (FIGURE 1-7)
WINDOW — STEEL DOOR, RIGHT HAND**



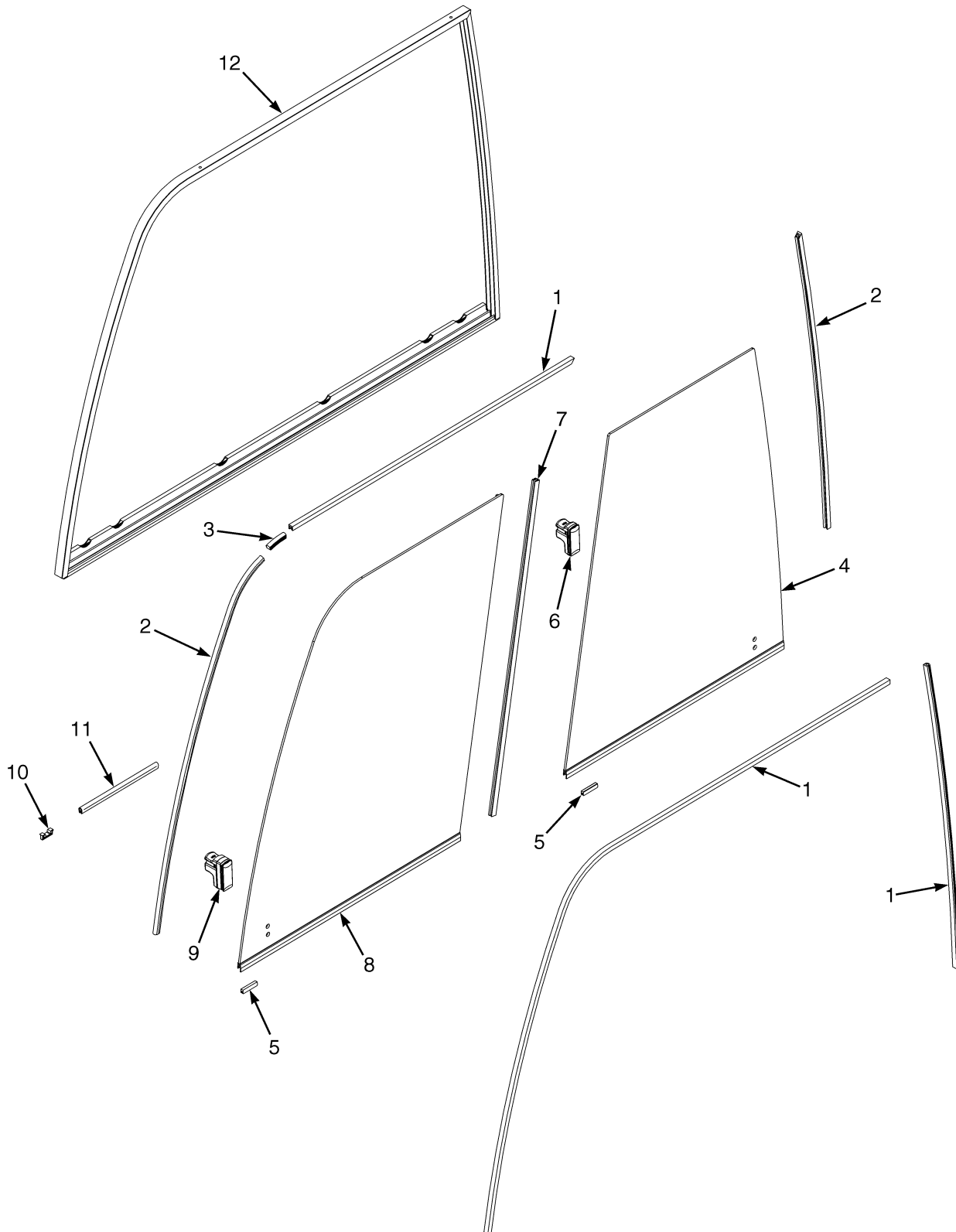
BP200100

CAB
WINDOW – STEEL DOOR, RIGHT HAND**KEY:****A: 546mm Battery Compartment****B: 642mm Battery Compartment****C: 750mm Battery Compartment**

ITEM	PART NO.	DESCRIPTION	QTY		
			A	B	C
	1708243	Sliding Window Assembly	1
	1708240	Sliding Window Assembly	1	..
	1708231	Sliding Window Assembly	1
1	4009571	Window Frame	1
1	4009564	Window Frame	1	..
1	4006915	Window Frame	1
2	4009779	Clip	6	6	6
3	4009783	Seal	AR	AR	AR
4	1644804	Seal	AR	AR	AR
5	4009573	Sliding Window	1
5	4009566	Sliding Window	1	..
5	4007890	Sliding Window	1
6	4009780	Latch	1	1	1
7	4009567	Seal	1	1	1
8	4009572	Sliding Window	1
8	4009565	Sliding Window	1	..
8	4006916	Sliding Window	1
9	1653969				
	4013559	Latch	1	1	1
10	1644804				
	4009782	Guide	1	1	1
	a 1498336	Edge Protector	AR	AR	AR
	a 1641640	Strip Seal	AR	AR	AR

FOOTNOTES:**a** Not Illustrated

CAB (FIGURE 1-8) WINDOW — STEEL DOOR, LEFT HAND

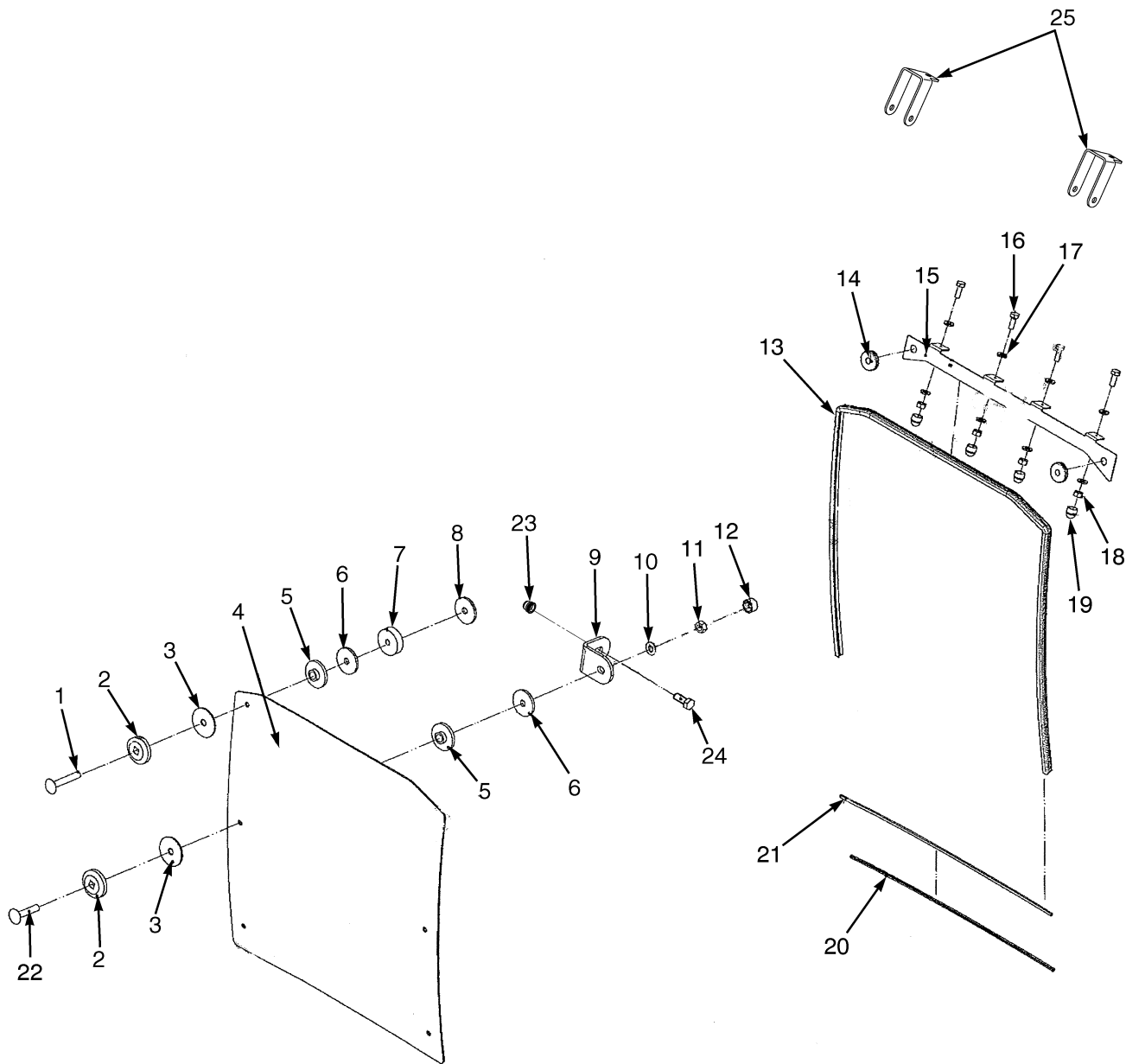


BP200099

CAB
WINDOW – STEEL DOOR, LEFT HAND**KEY:****A: 546mm Battery Compartment****B: 642mm Battery Compartment****C: 750mm Battery Compartment**

ITEM	PART NO.	DESCRIPTION	QTY		
			A	B	C
	1708226	Sliding Window (Assembly)	1
	1708217	Sliding Window (Assembly)	1	..
	1708223	Sliding Window (Assembly)	1
1	1644804	Seal	AR	AR	AR
2	4009783	Seal	AR	AR	AR
3	1641640	Strip Seal	AR	AR	AR
4	4009570	Sliding Window	1
4	4009576	Sliding Window	1	..
4	4006914	Sliding Window	1
5	1644804				
	4009782	Guide	4	4	4
6	4009780	Latch	1	1	1
7	4009567	Seal	1	1	1
8	4009569	Sliding Window	1
8	4009575	Sliding Window	1	..
8	4006913	Sliding Window	1
9	1653969				
	4013559	Latch	1	1	1
10	4009779	Clip	6	6	6
11	1498336	Edge Protector	AR	AR	AR
12	4009568	Window Frame	1
12	4009574	Window Frame	1	..
12	4006912	Window Frame	1

CAB (FIGURE 1-9) FRONT PANEL ASSEMBLY

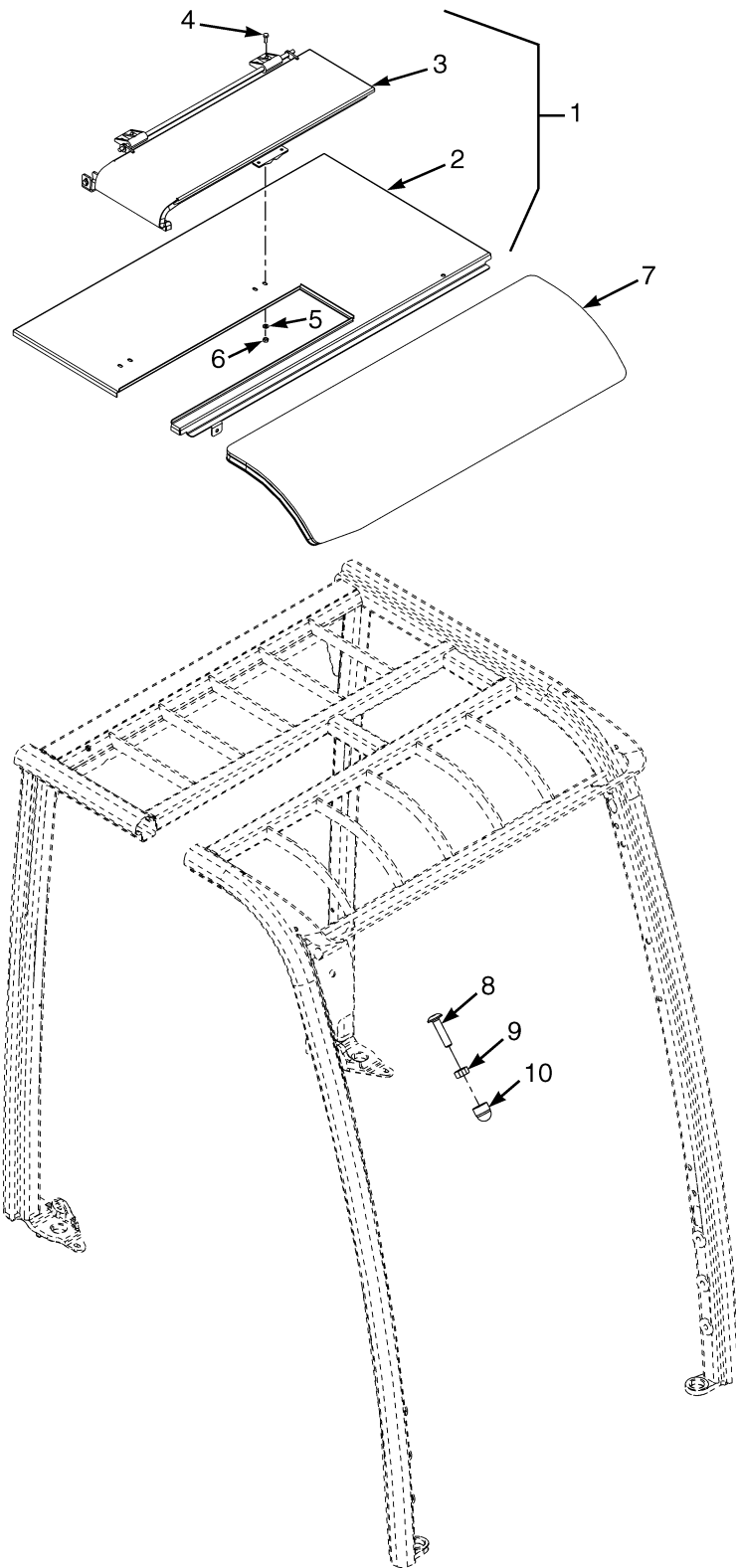


BP120463

**CAB
FRONT PANEL ASSEMBLY**

ITEM	PART NO.	DESCRIPTION	QTY
	1662391	Kit-Front Screen (Front Panel Assembly)	1
1	1703749	Screw	1
2	1468315	Washer	6
3	1468316	Washer	6
4	1703745	Screen	1
5	1468317	Washer	6
6	1598211	Washer	6
7	1703748	Washer	1
8	1468323	Washer	1
9	1598210	Bracket	4
10	320158	Washer	11
11	239503	Nut	6
12	1476584	Cover (Capscrew Head)	10
13	1491115	Seal	2
14	1465553	Grommet	2
15	1703746	Clamp	1
16	292500	Capscrew	4
17	320156	Washer	8
18	136687	Nut	4
19	1493397	Cover (Capscrew Head)	4
20	1703747	Edge Protector	AR
21	1674088	Seal	AR
22	1674089	Screw	5
23	1531557	Insert	5
24	2109744	Capscrew	5
25	1697013	Bracket	2
	4000287	Kit (Front Screen Mounting)	1

CAB (FIGURE 1-10) TOP PANEL ASSEMBLY



BP120530

CAB
TOP PANEL ASSEMBLY**KEY:****A: 546mm Battery Compartment****B: 642mm Battery Compartment****C: 750mm Battery Compartment**

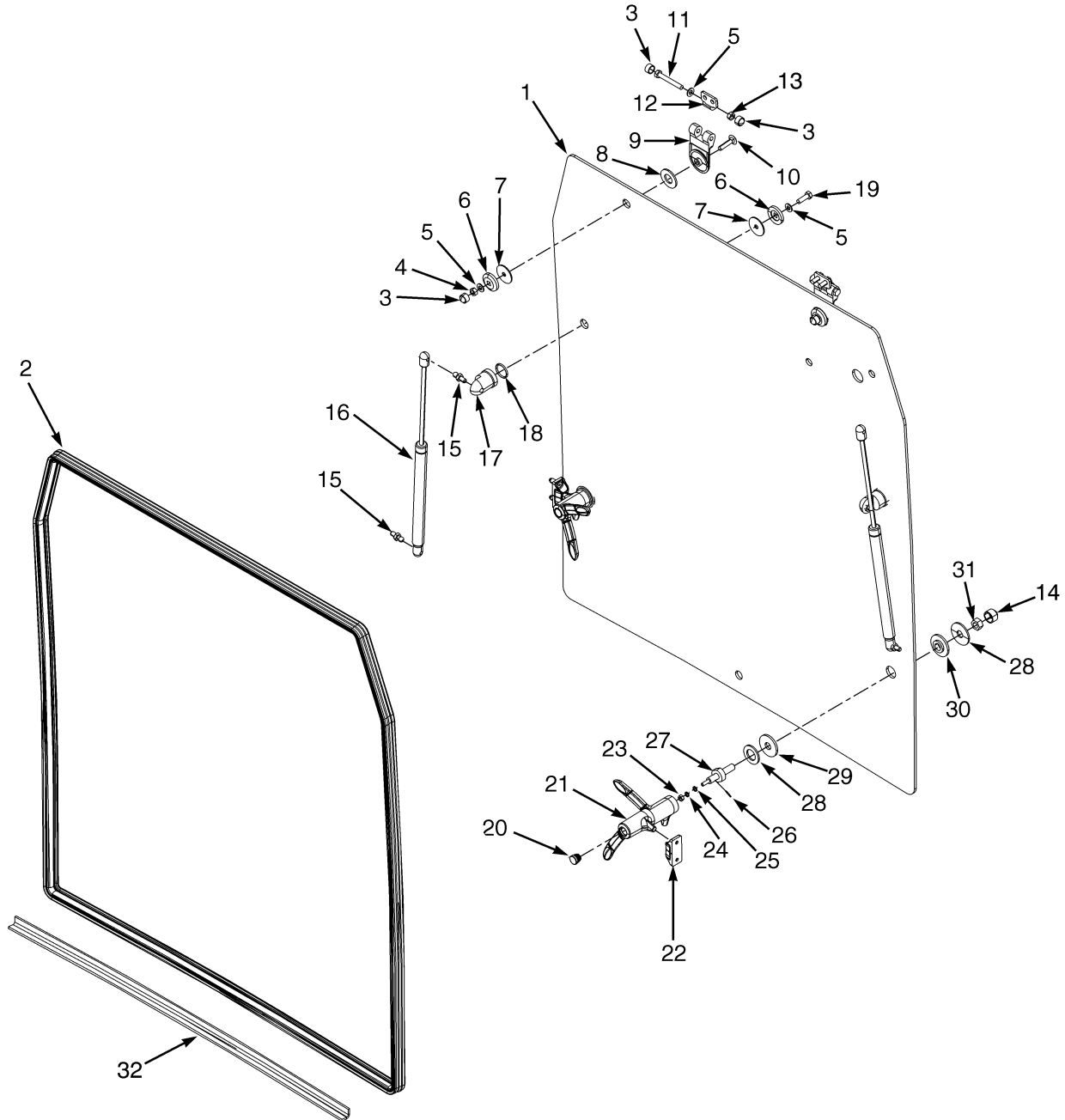
ITEM	PART NO.	DESCRIPTION	QTY		
			A	B	C
	1661959	Cab (Top Panel Assembly)	1
	1661960	Cab (Top Panel Assembly)	1	..
	1661961	Cab (Top Panel Assembly)	1
1	1669533	Cab (Rear Top Assembly)	1
1	1669535	Cab (Rear Top Assembly)	1	..
1	1669537	Cab (Rear Top Assembly)	1
2	1708214	Roof Panel	1	1	1
2	1708215	Roof Panel	1	..	1
2	1708212	Roof Panel	1	1	1
3	1708213	Flap	1	1	1
4	292500	Capscrew	4	4	4
5	320156	Washer	4	4	4
6	136687	Nut	4	4	4
7	1703718	Screen	1
7	1703720	Screen	1	..
7	1703721	Screen	1
8	4604314	Capscrew	4	4	4
9	136687	Nut	4	4	4
10	1699334	Cap	4	4	4
	a 1706046	Adhesive	1	1	1
	a 1706047	Activator	AR	AR	AR
	a 1706048	Primer	AR	AR	AR
	a 1703719	Shim	2	2	2
	4000288	Kit (Top Screen Mounting)	1	1	1
	4000296	Kit (Roof Liner Mounting)	1	1	1

FOOTNOTES:**a** Not Illustrated

CAB
REAR PANEL AND WIPER ATTACHMENT

ITEM	PART NO.	DESCRIPTION	QTY
1	1661962	Cab (Rear Panel Assembly) (Standard Hood) (☞Figure 1-12).....	1
1	1661963	Kit-Rear Screen (Low Hood) (☞Figure 1-12).....	1
2	2109744	Capscrew	4
3	1699447	Bracket	1
4	1699224	Switch	1
5	1531557	Insert	6
6	296217	Capscrew	4
7	1531558	Insert	9
8	296519	Capscrew	5
9	2110637	Wire Harness (☞Figure 2-31).....	1
10	1393504	Wiper Motor	1
10	4009406	Wiper Motor (Alternate Part)	1
11	1393509	Hose	4
12	1393495	Check Valve	1
13	1646727	Connector	1
14	1703770	Wiper Arm	1
15	1393506	Wiper Blade	1
	1706049	Sleeve-Bulk	AR
	4000293	Kit (Rear Screen Mounting)	1

CAB (FIGURE 1-12) REAR PANEL ASSEMBLY



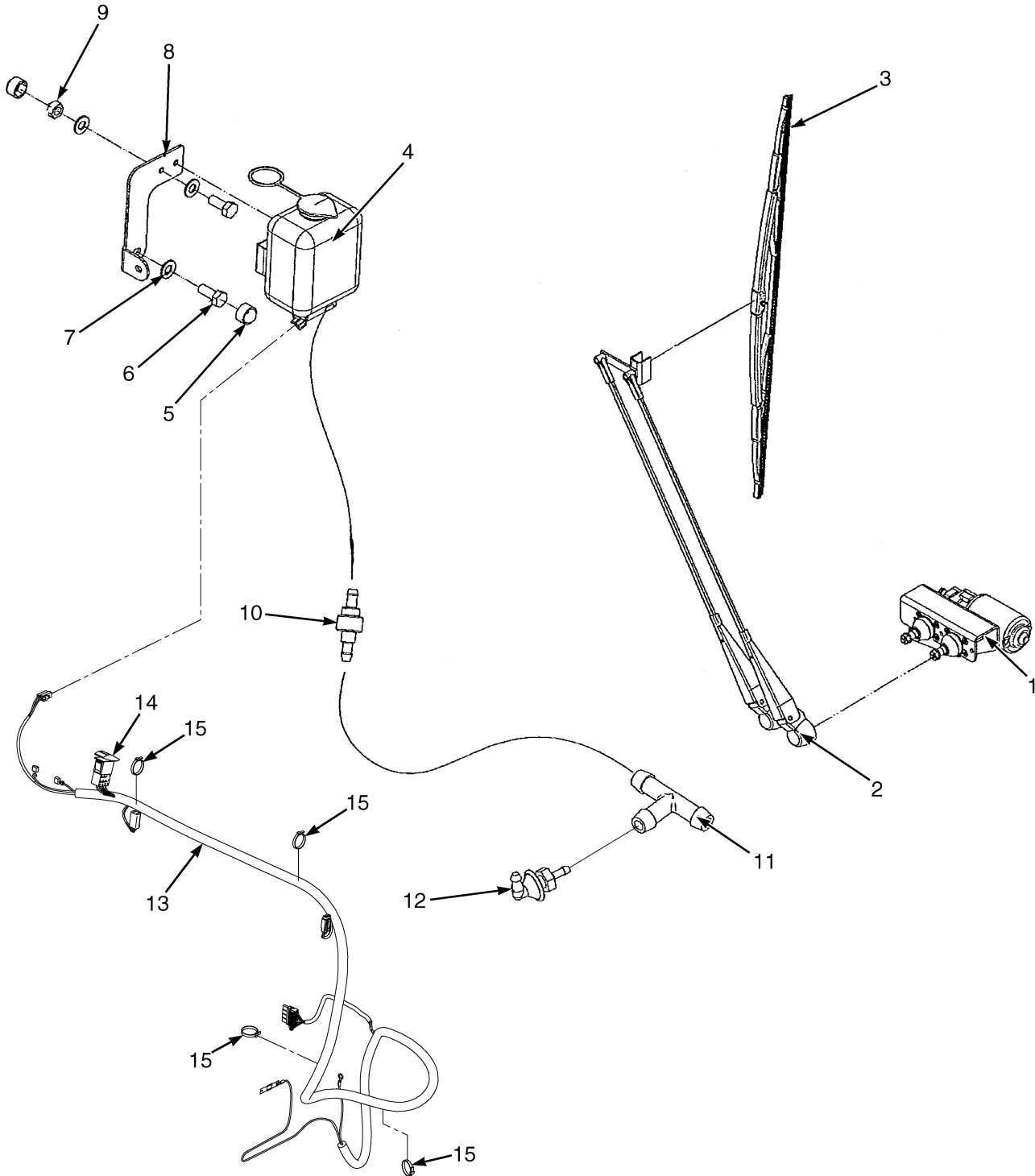
BP120531

**CAB
REAR PANEL ASSEMBLY**

ITEM	PART NO.	DESCRIPTION	QTY
	1661962	Cab (Rear Panel Assembly) (Standard Hood)	1
	1661963	Kit-Rear Screen (Low Hood)	1
1	4028738	Screen Rear (Standard Hood)	1
1	1703750	Rear Screen (Low Hood)	1
2	1491115	Seal (4 meters)	AR
3	1476584	Cover (Capscrew Head)	4
4	239503	Nut	2
5	320158	Washer	8
6	1468315	Washer	4
7	1468316	Washer	4
8	1703752	Washer	2
9	1703751	Hinge	2
10	1468314	Screw	2
11	1703756	Screw	2
12	1703755		
	4009407	Plate	2
12	1703755		
	4009407	Plate (Alternate Part)	2
13	316835	Nut	4
14	1493474	Cover (Capscrew Head)	2
15	1393472	Ball Stud	4
16	1703759	Gas Spring	2
17	1703757	Knob	2
18	1703758	O-Ring	2
19	136749	Screw	2
20	1703765	Plug	2
21	1703760	Grip	2
22	1703769	Latch	2
22	4009408	Screw	2
23	1598399	Screw	1
24	320156	Washer	2
25	1703764	Washer	2
26	1703771	Plug	1
27	1703761	Connector	2
28	1703763	Washer	4
29	1703762	Washer	2
30	1703766	Washer	1
31	1703768	Nut	2
32	1703772		
	4028739	Rear Screen	1
32	1703772		
	4028739	Rear Screen (Alternate Part)	1
	ab 302047	Screw	5
	4000293	Kit (Rear Mounting Screen)	1

FOOTNOTES:**a** For Edge Protector (Low Hood Option Only)**b** Not Illustrated

CAB (FIGURE 1-13) FRONT WIPER ASSEMBLY

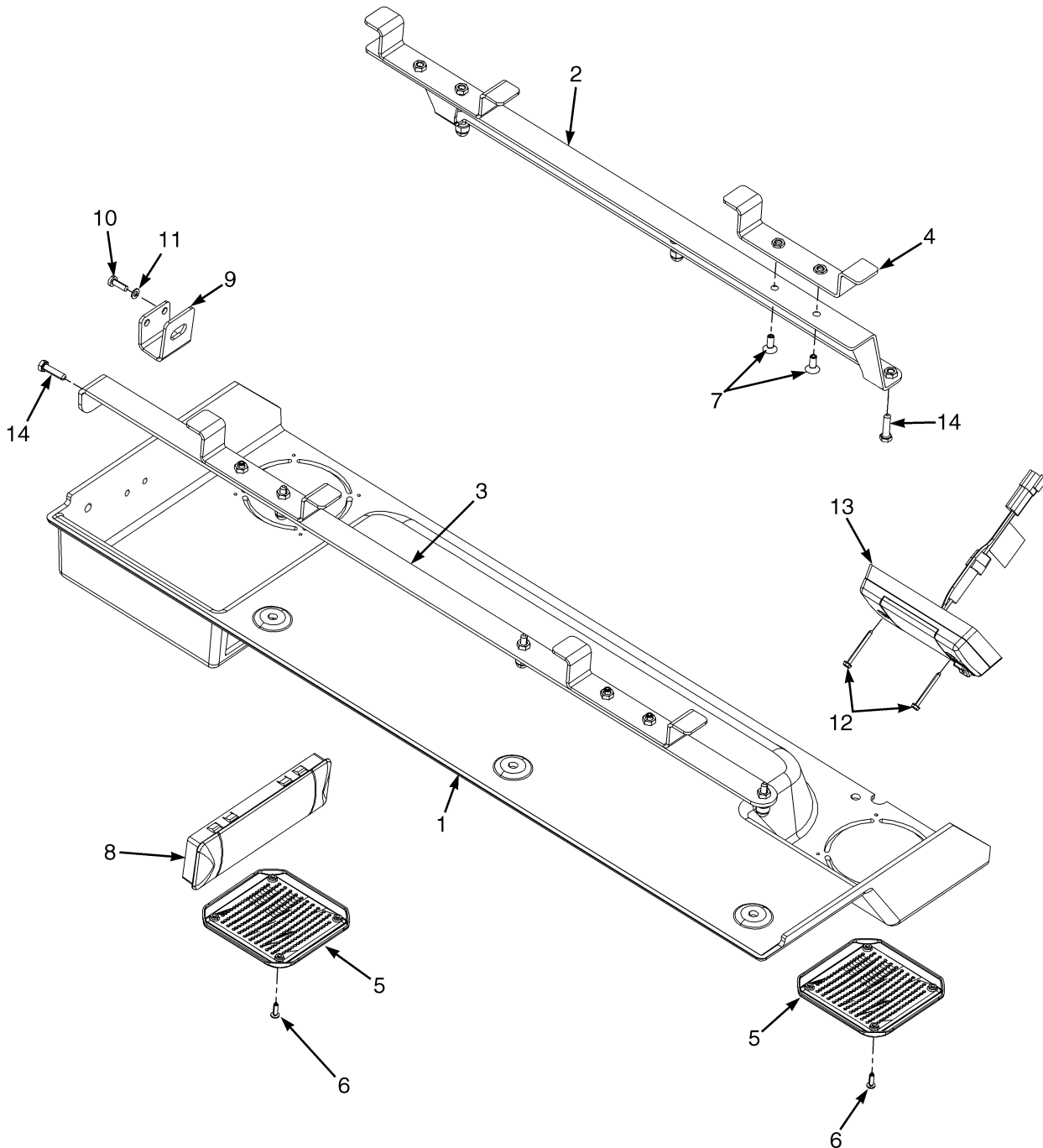


BP120556

CAB
FRONT WIPER ASSEMBLY

ITEM	PART NO.	DESCRIPTION	QTY
1	1703722	Wiper Motor	1
2	1703723	Wiper Arm	1
3	1703729	Wiper Blade	1
4	1653632	Pump (With Reservoir)	1
5	1476584	Cover (Capscrew Head)	3
6	1623364	Capscrew	3
7	320158	Washer	5
8	1703730	Bracket	1
9	1703731	Nut	2
10	1393495	Check Valve	2
11	1646727	Connector	1
12	1493336	Connector (Spray Nozzle)	1
13	2107405	Wire Harness (☞ Figure 2-32).....	1
14	1699224	Switch	1
15	137852	Strap Clamp	4
	4000297	Kit (Front Wiper/Washer Mounting)	1

CAB (FIGURE 1-14) HEADLINER ASSEMBLY

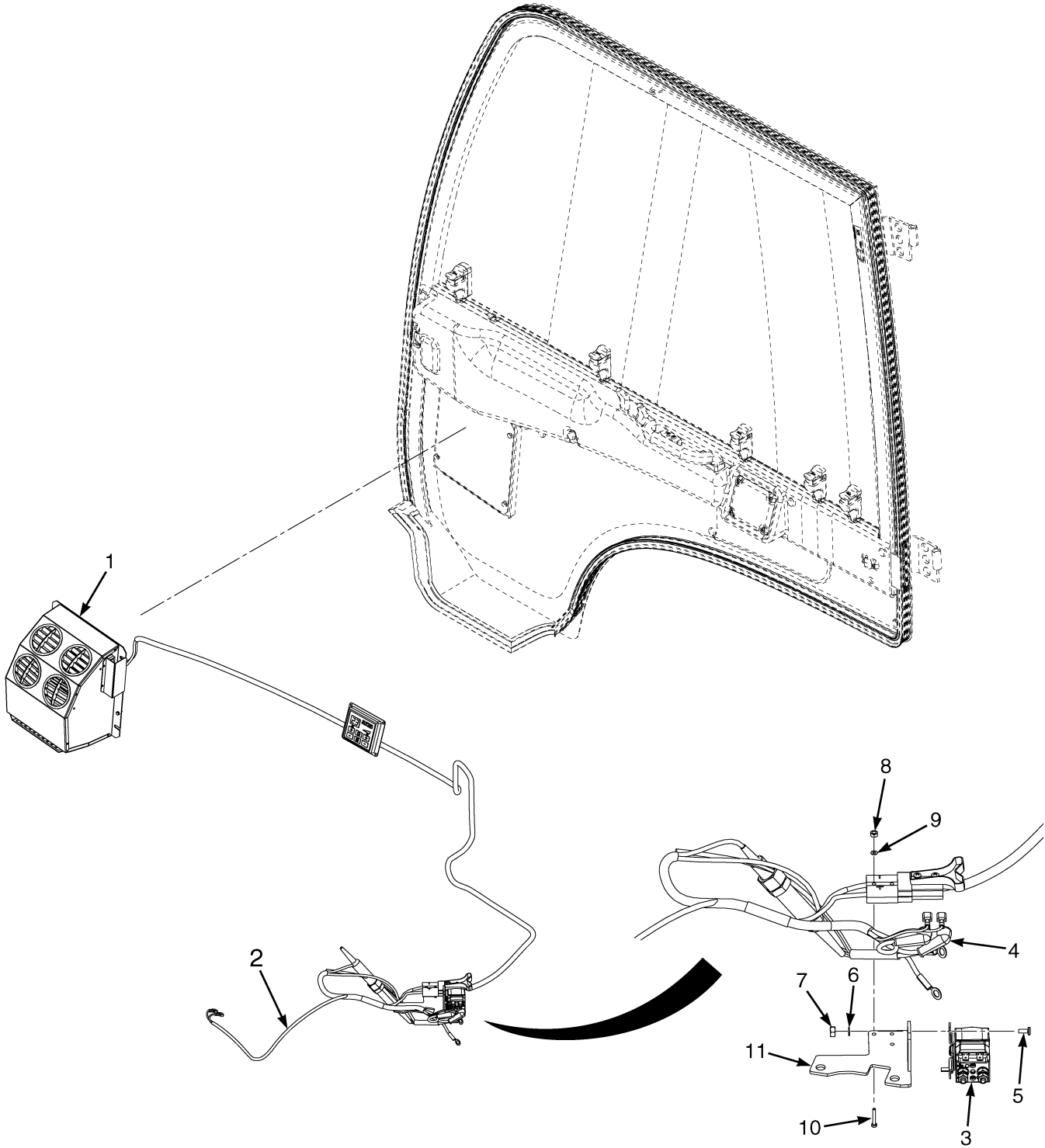


BP120567

**CAB
HEADLINER ASSEMBLY****KEY:****A: 546mm Battery Compartment****B: 642mm Battery Compartment****C: 750mm Battery Compartment**

ITEM	PART NO.	DESCRIPTION	QTY		
			A	B	C
	2107020	Headliner	1
	2107021	Headliner	1	..
	2107022	Headliner	1
1	1703744	Headliner	1
1	1703743	Headliner	1	..
1	1703732	Headliner	1
2	1703733	Bracket	1	1	1
3	1703734	Bracket	1	1	1
4	1703735	Clamp	1	1	1
5	1598421	Cover (Speaker)	2	2	2
6	1703737	Screw	8	8	8
7	1623393	Capscrew	7	7	7
8	1571628	Cover	1	1	1
9	1703741	Bracket	1	1	1
10	1703742	Screw	2	2	2
11	1558055	Washer	2	2	2
12	1694618	Screw	2	2	2
13	2111852	Dome Light	1	1	1
14	4604314	Capscrew	7	7	7
	4000298	Kit (Dome Light)	1	1	1

CAB (FIGURE 1-15) HEATER



BP120604

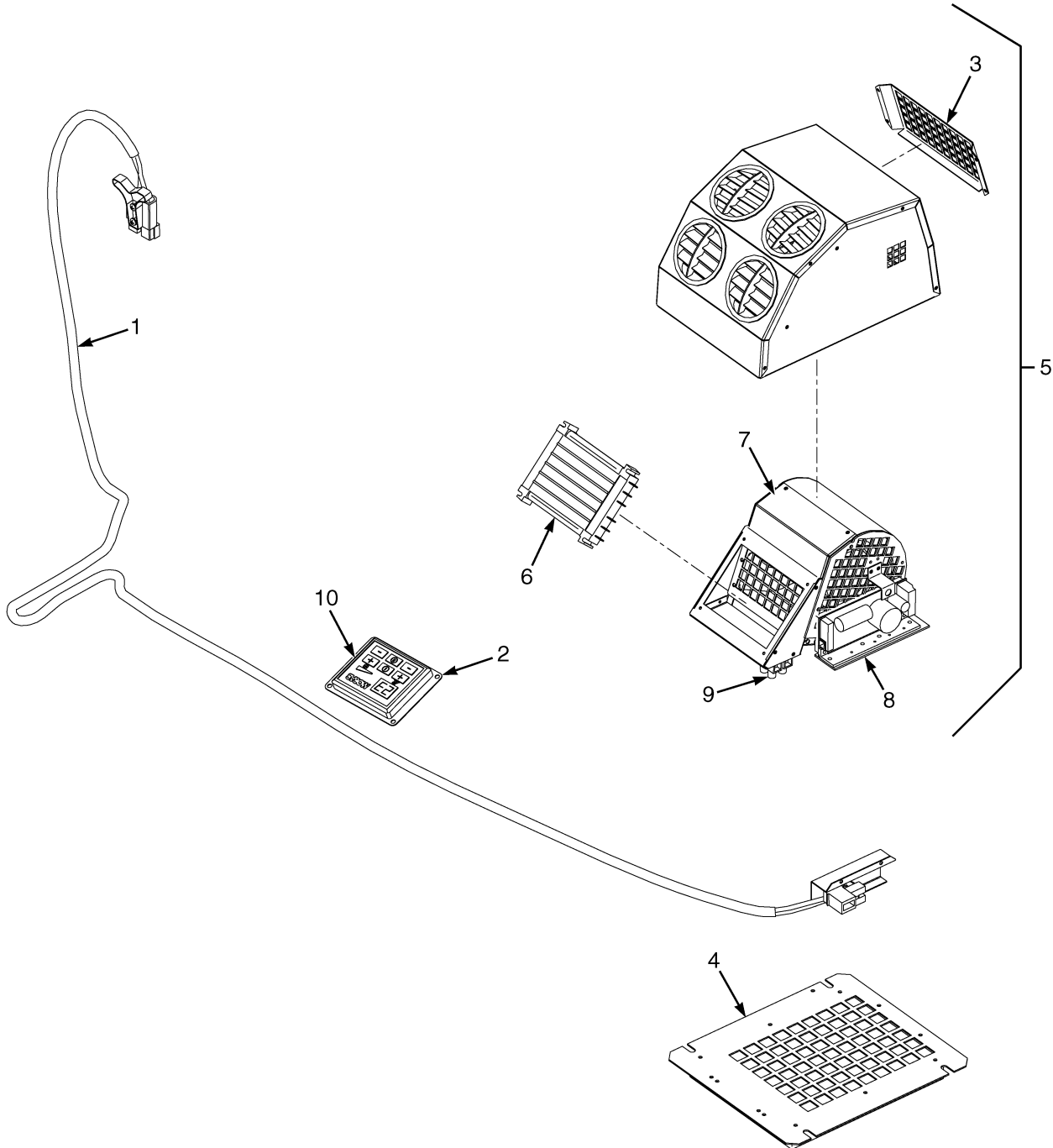
**CAB
HEATER**

ITEM	PART NO.	DESCRIPTION	QTY
1	2107024	Kit-Cab Heater (☞Figure 1-16).....	1
1	4611136	Kit-Cab Heater (Alternate Heater) (☞Figure 1-17).....	1
2	2110287	Wire Harness (☞Figure 2-22).....	1
3	1704844	Contactora (48 Volt)	1
4	190383	Boora	2
5	302020	Screw	2
6	320154	Washer	2
7	1463912	Nut	2
8	2074859	Nut	2
9	320152	Washer	2
10	302231	Capscrew	2
11	1702969	Plate Wldmt	1
	a 279740	Clamp	1
	4000283	Kit (Heater Mounting)	1
	a 1699334	Cap	4

FOOTNOTES:

a Not Illustrated

CAB (FIGURE 1-16) HEATER ASSEMBLY



BP200101

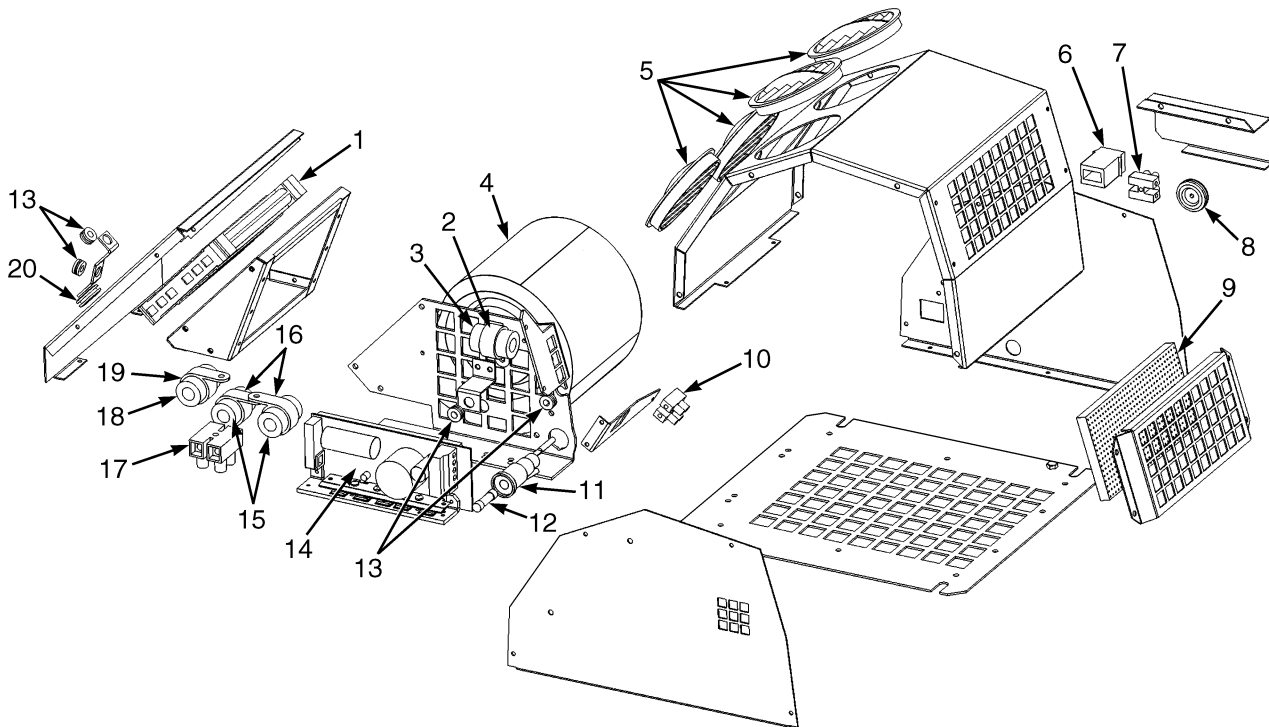
**CAB
HEATER ASSEMBLY**

ITEM	PART NO.	DESCRIPTION	QTY
	2107024	Kit-Cab Heater	1
1	4006809	Power Cable	1
2	4006808	Mounting Plate	1
3	4006811	Filter	1
4	4006810	Air Filter	1
5	4006805	Heater	1
6	4006818	Heater Element	1
7	4006817	Fan	1
8	4006814	Control Panel	1
9	4006819	Valve	1
10	4006807	Control Panel	1
	a 4006806	Cable	1
	a 4006812	Thermistor	1
	a 4006813	Thermistor	1
	a 4006815	Filter (EMC)	4

FOOTNOTES:

a Not Illustrated

CAB (FIGURE 1-17) HEATER ASSEMBLY — ALTERNATE HEATER

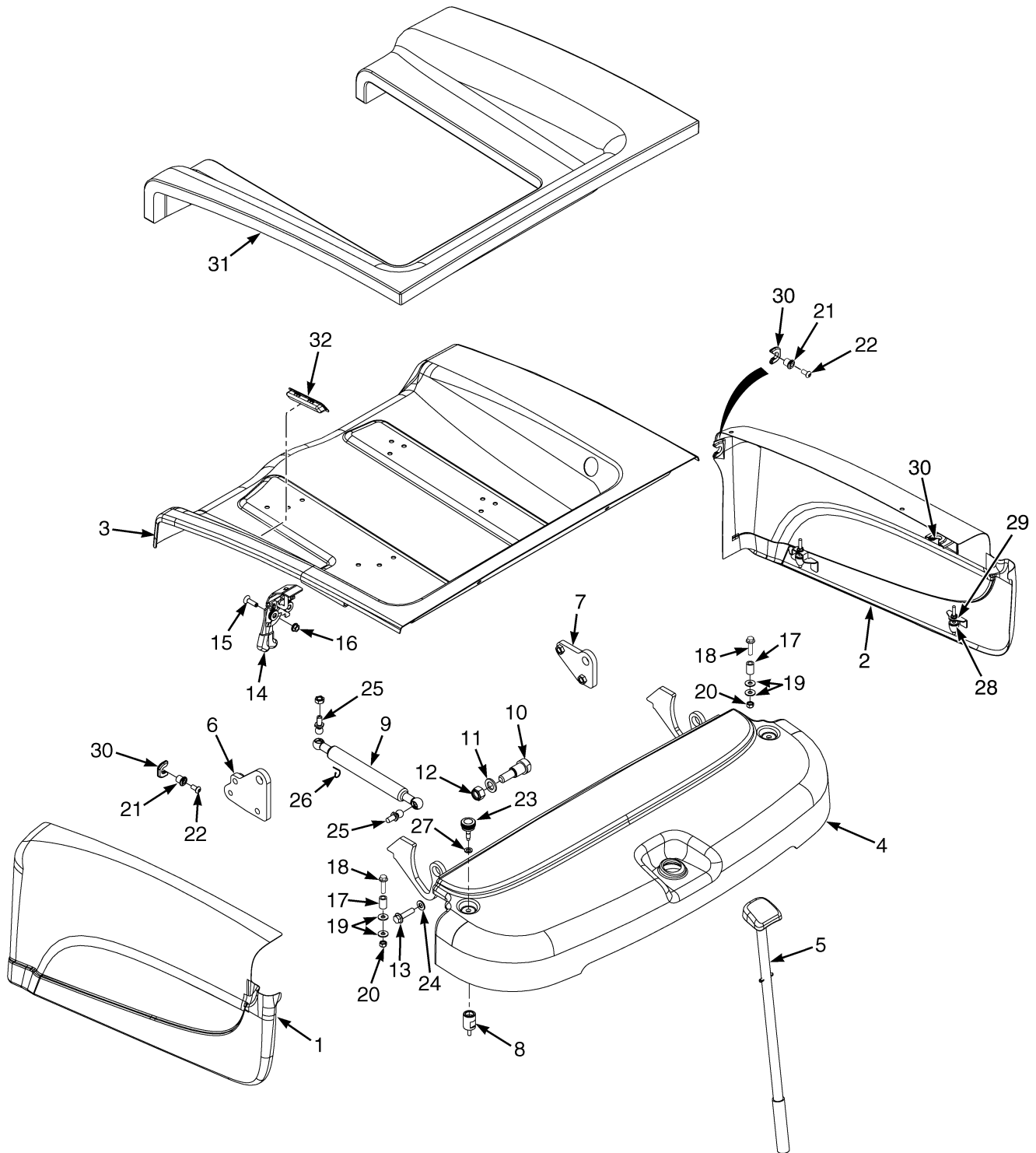


BP200128

CAB
HEATER ASSEMBLY – ALTERNATE HEATER

ITEM	PART NO.	DESCRIPTION	QTY
	4611136	Kit-Cab Heater	1
1	4006818	Heater Element	1
2	4032931	Clip	1
3	4022983	Filter	1
4	4022980	Fan	1
5	4032928	Heater Element	4
6	4022986	Contact	1
7	4032934	Terminal Block	1
8	4032935	Grommet	1
9	4006811	Filter	1
10	4032933	Terminal Block	1
11	4022985	Fuse Holder	1
12	4022984	Fuse	1
13	4032936	Grommet	4
14	4032937	Printed Circuit Board	1
15	4022982	Filter	2
16	4032929	Vent	2
17	4032932	Terminal Block	1
18	4006815	Filter (EMC)	1
19	4032930	Clip	1
20	4032938	Grommet	1

HOOD AND COVERS (FIGURE 1-18) EARLY PRODUCTION



HP121224

**HOOD AND COVERS
EARLY PRODUCTION****KEY:****A: 546 mm Battery Compartment****B: 672 mm Battery Compartment****C: 750 mm Battery Compartment**

ITEM	PART NO.	DESCRIPTION	QTY		
			A	B	C
1	1671504	Side Panel (LH) (Standard)	1
1	1671506	Side Panel (LH) (Standard)	1	..
1	1671508	Side Panel (LH) (Standard)	1
1	1671498	Side Panel (LH) (Low)	1
1	1671500	Side Panel (LH) (Low)	1	..
1	1671502	Side Panel (LH) (Low)	1
2	1671505	Side Panel (RH) (Standard)	1
2	1671507	Side Panel (RH) (Standard)	1	..
2	1671509	Side Panel (RH) (Standard)	1
2	1671499	Side Panel (RH) (Low)	1
2	1671501	Side Panel (RH) (Low)	1	..
2	1671503	Side Panel (RH) (Low)	1
3	1671258	Hood	1
3	1671259	Hood	1	..
3	1671260	Hood	1
4	1662324	Cover (Standard)	1	1	1
4	1662323	Cover (Low)	1	1	1
5	1678198	Tow Pin Assembly (Standard)	1	1	1
5	1678232	Tow Pin Assembly (Low)	1	1	1
5	1677854	Tow Pin	1	1	1
5	1651284	Handle	1	1	1
5	302467	Spring Pin	2	2	2
6	4002929 4025990	Bracket Wldmt (LH, Low)	1	1	1
6	4002930 4023227	Bracket Wldmt (LH, Standard)	1	1	1
7	4002932 4023223	Bracket Wldmt (RH, Low)	1	1	1
7	4002933 4023224	Bracket Wldmt (RH, Standard)	1	1	1
8	1651973	Spacer	2	2	2
9	2107982	Gas Spring	1
9	2107983	Gas Spring	1	..
9	2107984	Gas Spring	1
10	1669443	Pin	2	2	2
11	296426	Washer	2	2	2
12	302404	Locknut	2	2	2
13	1512403	Capscrew	4	4	4
14	1656998	Hood Latch	1	1	1
15	296228	Capscrew	2	2	2
16	1382472 1502543	Nut (Flange)	2	2	2
17	1657419	Tube	2	2	2
18	1527882	Capscrew	2	2	2

HOOD AND COVERS EARLY PRODUCTION

KEY:

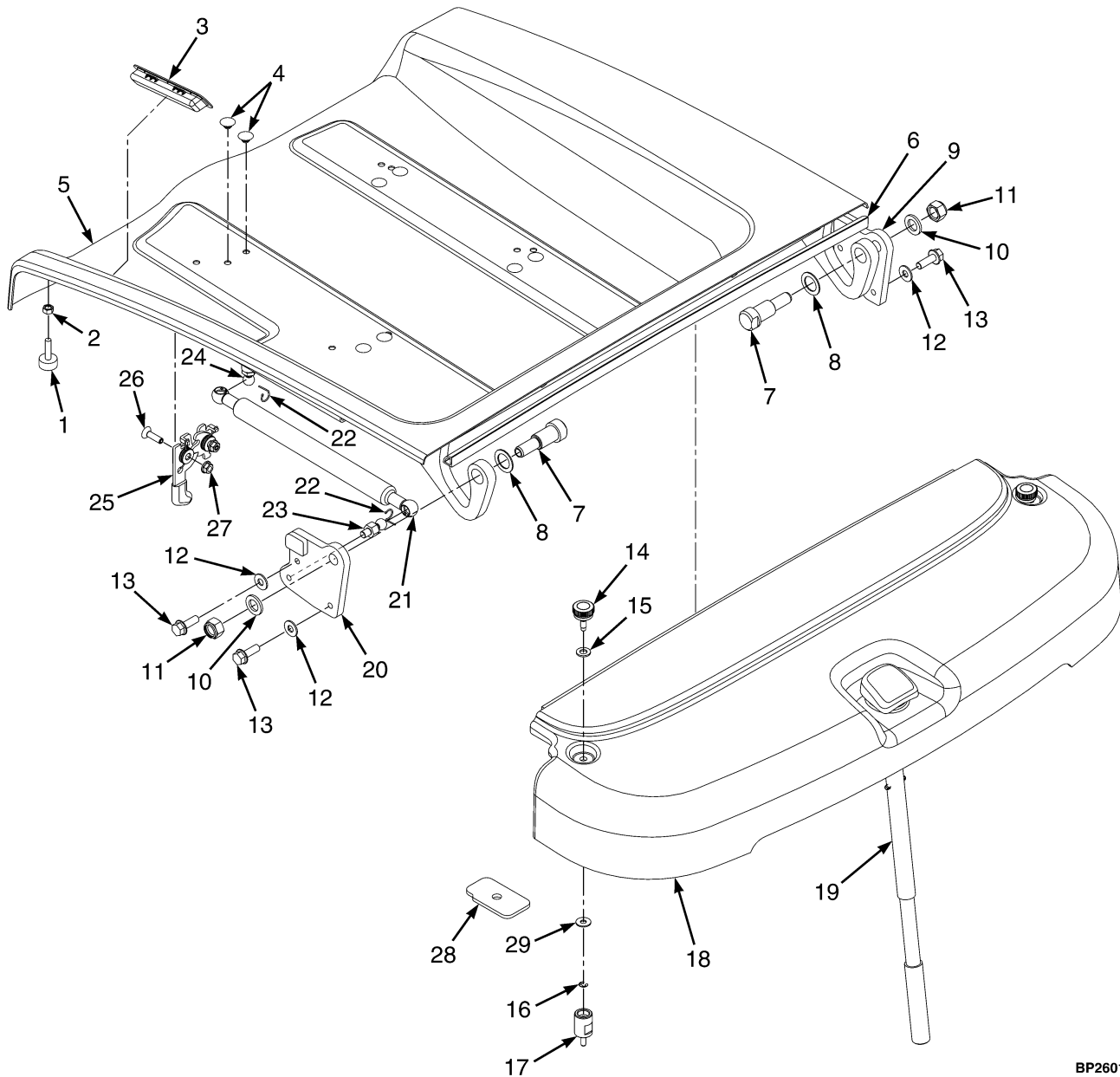
A: 546 mm Battery Compartment

B: 672 mm Battery Compartment

C: 750 mm Battery Compartment

ITEM	PART NO.	DESCRIPTION	QTY		
			A	B	C
19	320158	Washer	6	6	6
20	302400	Nut	2	2	2
21	1672827	Pin	2	2	2
22	287851	Capscrew	2	2	2
23	1661053	Screw	2	2	2
24	320159	Washer	4	4	4
25	1677113	Ball Stud	2	2	2
26	1677115	Clip	2	2	2
27	2076752	Retainer	2	2	2
28	1706062	Isolator	4	4	4
29	1307884 1514429	Nut	8	8	8
30	1669557	Clip (Side Panel)	4	4	4
31	4003964	Blanket	1	1	1
32	1661162	Handle (Hood)	1	1	1

HOOD AND COUNTERWEIGHT COVER (FIGURE 1-19) LATE PRODUCTION



BP260109

**HOOD AND COUNTERWEIGHT COVER
LATE PRODUCTION****KEY:****A: 546 mm Battery Compartment****B: 642 mm Battery Compartment****C: 750 mm Battery Compartment**

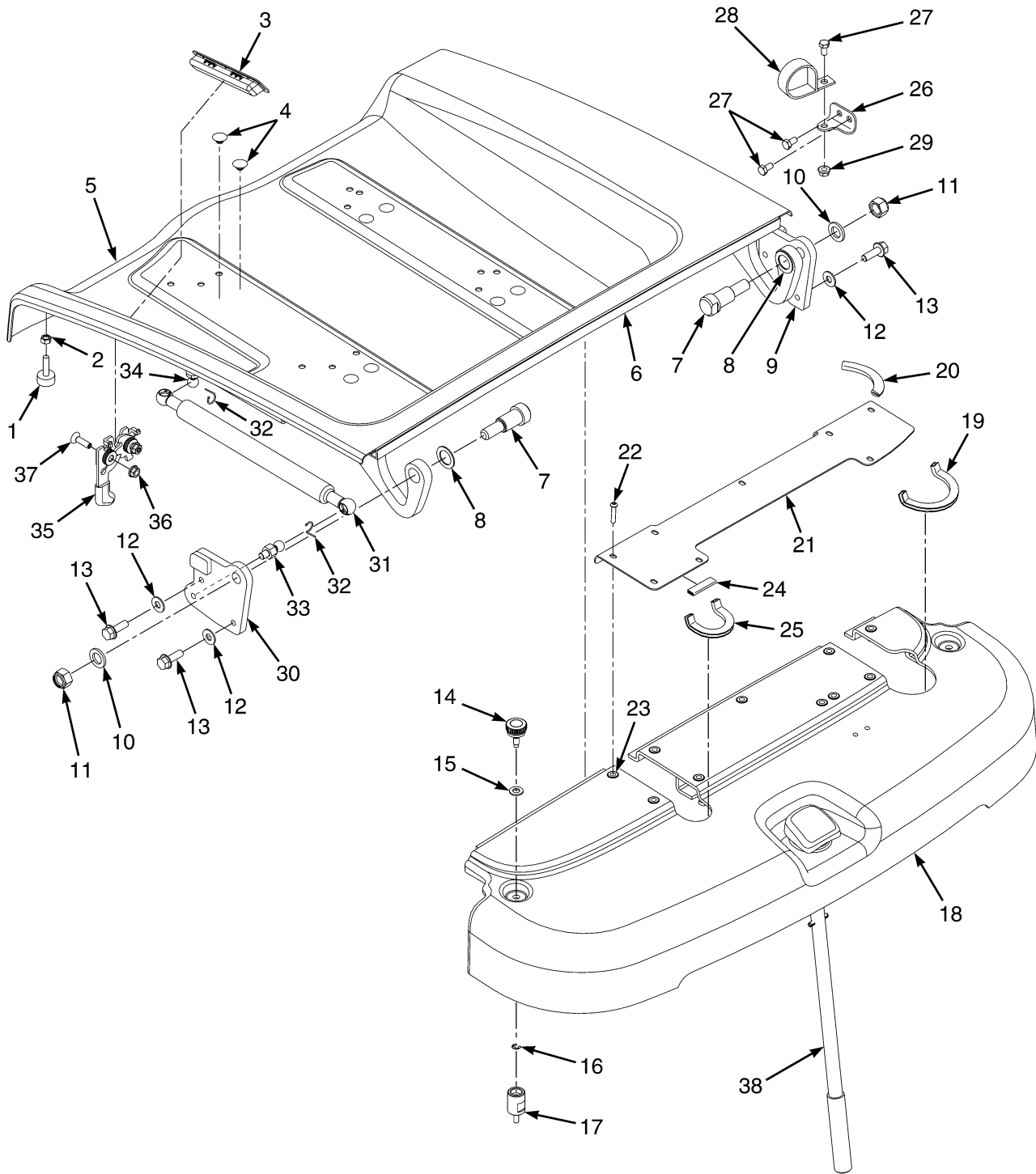
ITEM	PART NO.	DESCRIPTION	QTY		
			A	B	C
1	1705606	Bumper	2	2	2
2	239503	Nut	2	2	2
3	1661162	Handle (Hood)	1	1	1
4	2027940	Plug	8	8	8
5	1706822	Hood	1
5	1706823	Hood	1	..
5	1706824	Hood	1
6	Seal	AR	AR	AR
7	1669443	Pin (Shoulder)	2	2	2
8	250835	Shim	2	2	2
9	4002933 4023224	Bracket Wldmt (RH-Hood Hinge) (Standard Hood)	1	1	1
9	4002932 4023223	Bracket (RH-Hood Hinge) (Low Hood)	1	1	1
10	296426	Washer	2	2	2
11	302404	Locknut	2	2	2
12	320160	Washer	4	4	4
13	1663739	Bolt	4	4	4
14	1661053	Screw (Captive)	2	2	2
15	1702735	Washer	2	2	2
16	2076752	Retainer	2	2	2
17	1651973	Spacer (Counterweight Cover) (Standard Hood)	2	2	2
18	1662324	Cover (Counterweight) (Standard Hood)	1	1	1
18	1662323	Cover (Counterweight) (Low Hood)	1	1	1
19	1678198	Tow Pin Assembly (Standard Hood)	1	1	1
19	1678232	Tow Pin Assembly (Low Hood)	1	1	1
19	1651284	Handle	1	1	1
19	302467	Spring Pin	2	2	2
20	4002930 4023227	Bracket Wldmt (LH-Hood Hinge) (Standard Hood)	1	1	1
20	4002929 4025990	Bracket (LH-Hood Hinge) (Low Hood)	1	1	1
21	2107982	Gas Spring (With Pop-up Coil)	1
21	2107983	Gas Spring (With Pop-up Coil)	1	..
21	2107984	Gas Spring (With Pop-up Coil)	1
22	1677115	Clip (Locking)	2	2	2
23	4020998	Ball Stud	1	1	1
24	4020999	Ball Stud	1	1	1
25	1656998	Hood Latch	1	1	1
26	296228	Capscrew	2	2	2
27	1382472 1502543	Nut (Flange)	2	2	2
28	4048603	Mount	2	2	2
29	320158	Washer	AR	AR	AR

HOOD AND COUNTERWEIGHT COVER LATE PRODUCTION

KEY:**A: 546 mm Battery Compartment****B: 642 mm Battery Compartment****C: 750 mm Battery Compartment**

ITEM	PART NO.	DESCRIPTION	QTY		
			A	B	C
	2064554	Loctite	AR	AR	AR

HOOD AND COUNTERWEIGHT COVER (FIGURE 1-20) WITH RAPID CHARGE OPTION



BP120965

**HOOD AND COUNTERWEIGHT COVER
WITH RAPID CHARGE OPTION****KEY:****A: 546 mm Battery Compartment****B: 642 mm Battery Compartment****C: 750 mm Battery Compartment**

ITEM	PART NO.	DESCRIPTION	QTY		
			A	B	C
1	1705606	Bumper	2	2	2
2	239503	Nut	2	2	2
3	1661162	Handle (Hood)	1	1	1
4	2027940	Plug	8	8	8
5	1706822	Hood	1
5	1706823	Hood	1	..
5	1706824	Hood	1
6	Seal	1	1	1
7	1669443	Pin (Shoulder)	2	2	2
8	250835	Shim	2	2	2
9	4002933 4023224	Bracket Wldmt (Hood Hinge-RH) (Standard Hood)	1	1	1
9	4002932 4023223	Bracket (Hood Hinge-RH) (Low Hood)	1	1	1
10	296426	Washer	2	2	2
11	302404	Locknut	2	2	2
12	320160	Washer	4	4	4
13	1663739	Bolt	4	4	4
14	1661053	Screw (Captive)	2	2	2
15	1702735	Washer	2	2	2
16	2076752	Retainer	2	2	2
17	1651973	Spacer (Counterweight Cover) (Standard Hood)	2	2	2
18	4043276	Cover (Counterweight) (Standard Hood)	1	1	1
18	4045247	Cover (Counterweight) (Low Hood)	1	1	1
19	4021456	Trim Seal	1	1	1
20	4007123	Trim	1	1	1
21	4045283	Cover	1	1	1
22	296162	Capscrew	8	8	8
23	4045691	Insert	10	10	10
24	1616038	Edge Protector	1	1	1
24	4025665	Trim (Alternate Part)	1	1	1
25	1336897	Trim	1	1	1
26	4055255	1	1	1
27	287851	Capscrew	3	3	3
28	313221	Clamp	1	1	1
29	1382472 1502543	Nut (Flange)	1	1	1
30	4002930 4023227	Bracket Wldmt (Hood Hinge-LH) (Standard Hood)	1	1	1
30	4002929 4025990	Bracket (Hood Hinge-LH) (Low Hood)	1	1	1
31	2107982	Gas Spring (With Pop-up Coil)	1
31	2107983	Gas Spring (With Pop-up Coil)	1	..
31	2107984	Gas Spring (With Pop-up Coil)	1

HOOD AND COUNTERWEIGHT COVER WITH RAPID CHARGE OPTION

KEY:

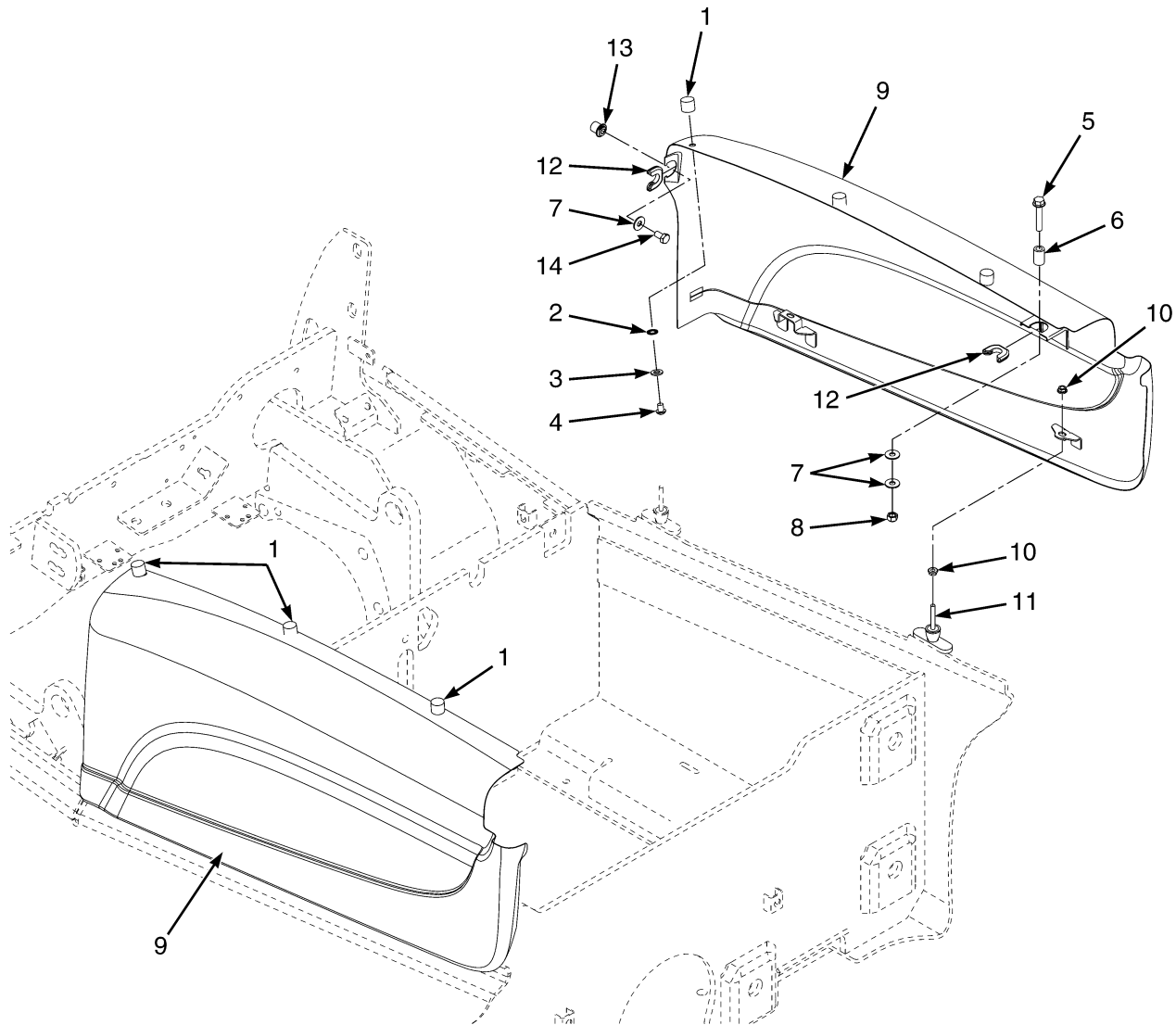
- A: 546 mm Battery Compartment**
- B: 642 mm Battery Compartment**
- C: 750 mm Battery Compartment**

ITEM	PART NO.	DESCRIPTION	QTY		
			A	B	C
32	1677115	Clip	2	2	2
33	4020998	Ball Stud	1	1	1
34	4020999	Ball Stud	1	1	1
35	1656998	Hood Latch	1	1	1
36	296228	Capscrew	2	2	2
37	1382472 1502543	Nut (Flange)	2	2	2
38	1678198	Tow Pin Assembly (Standard Hood)	1	1	1
38	1678232	Tow Pin Assembly (Low Hood)	1	1	1
38	1651284	Handle	1	1	1
38	302467	Spring Pin	2	2	2
	a 2064554	Loctite	AR	AR	AR

FOOTNOTES:

- a** Not Illustrated

SIDE PANELS (FIGURE 1-21)

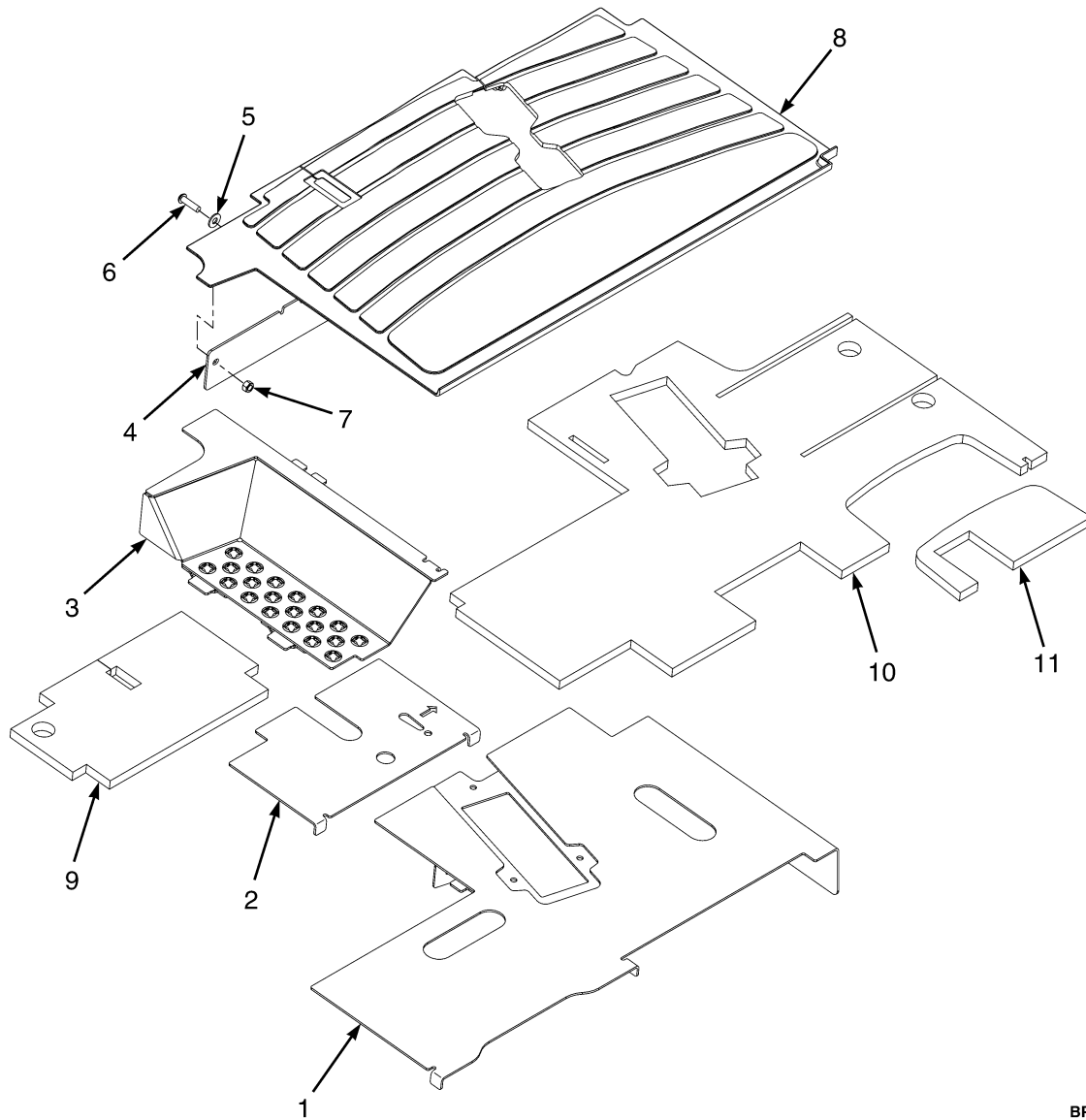


BP120964

SIDE PANELS**KEY:****A: 546 mm Battery Compartment****B: 642 mm Battery Compartment****C: 750 mm Battery Compartment**

ITEM	PART NO.	DESCRIPTION	QTY		
			A	B	C
1	1698875	Bumper	6	6	6
2	296360	Washer	6	6	6
3	296418	Washer	6	6	6
4	296163	Capscrew	6	6	6
5	1527882	Capscrew	2	2	2
6	1657419	Tube	2	2	2
7	320158	Washer	6	6	6
8	302400	Nut	2	2	2
9	1671193	LH Side Panel (Standard Hood)	1
9	1671199	RH Side Panel (Standard Hood)	1
9	1671194	LH Side Panel (Standard Hood)	1	..
9	1671200	RH Side Panel (Standard Hood)	1	..
9	1671195	LH Side Panel (Standard Hood)	1
9	1671201	RH Side Panel (Standard Hood)	1
9	1669558	LH Side Panel (Low Hood)	1
9	1671196	RH Side Panel (Low Hood)	1
9	1669559	LH Side Panel (Low Hood)	1	..
9	1671197	RH Side Panel (Low Hood)	1	..
9	1669560	LH Side Panel (Low Hood)	1
9	1671198	Rh Side Panel (Low Hood)	1
9	4053035	Side Panel (LH Standard Hood)(Rapid Charge)	1
9	4053036	Side Panel (RH Standard Hood)(Rapid Charge)	1
9	4053037	Side Panel (LH Standard Hood)(Rapid Charge)	1	..
9	4053038	Side Panel (RH Standard Hood)(Rapid Charge)	1	..
9	4053039	Side Panel (LH Standard Hood)(Rapid Charge)	1
9	4053040	Side Panel (RH Standard Hood)(Rapid Charge)	1
9	4053041	Side Panel (LH Low Hood)(Rapid Charge)	1
9	4053042	Side Panel (RH Low Hood)(Rapid Charge)	1
9	4053043	Side Panel (LH Low Hood)(Rapid Charge)	1	..
9	4053044	Side Panel (RH Low Hood)(Rapid Charge)	1	..
9	4053045	Side Panel (LH Low Hood)(Rapid Charge)	1
9	4053046	Side Panel (RH Low Hood)(Rapid Charge)	1
10	1307884				
	1514429	Nut	4	4	4
11	1706062	Isolator	2	2	2
12	1669557	Clip (Side Panel)	2	2	2
13	1672827	Pin	2	2	2
14	287851	Capscrew	2	2	2

FLOOR PLATES (FIGURE 1-22)



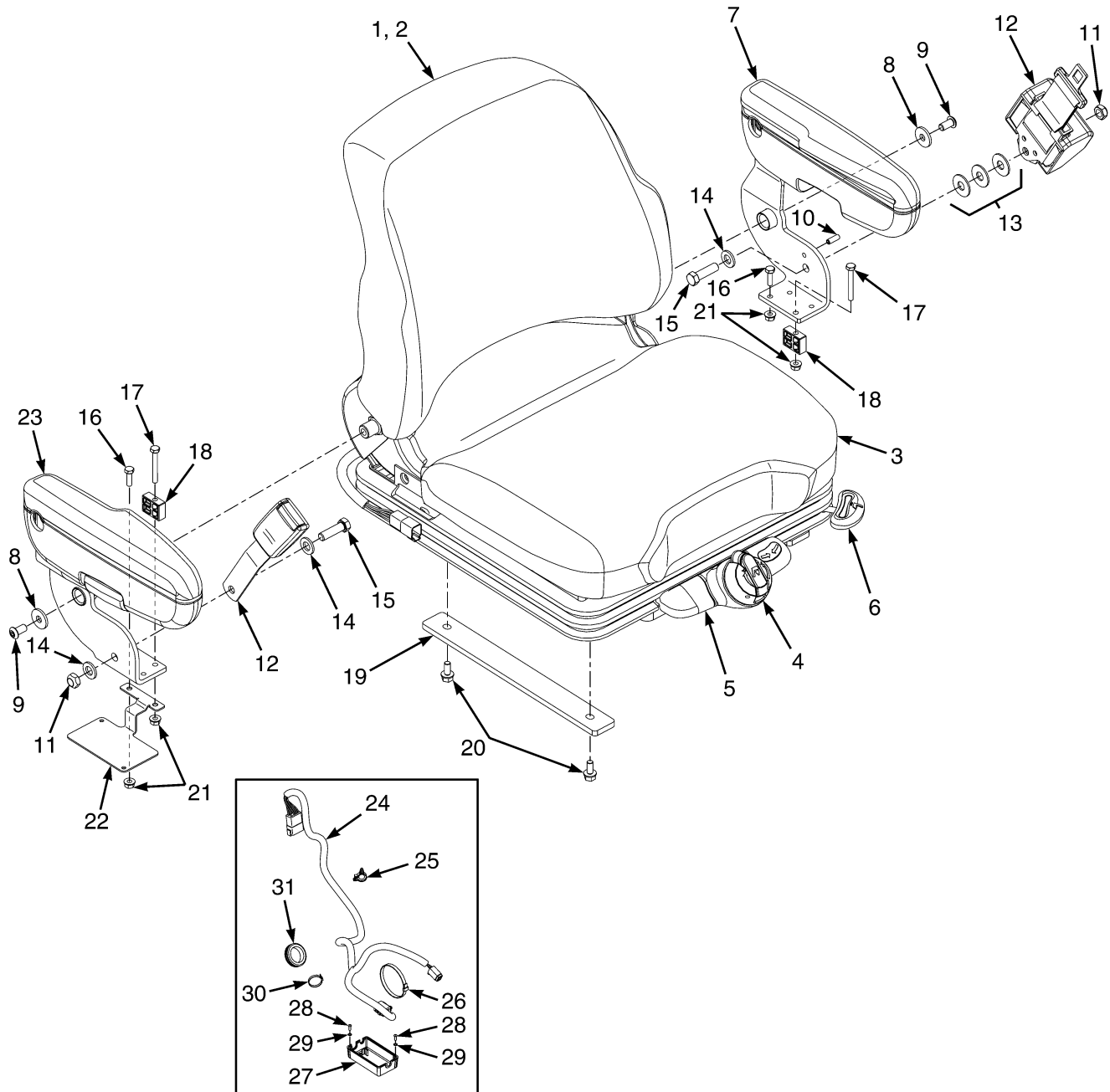
BP120835

FLOOR PLATES**KEY:****A: Manual Hydraulics****B: Electronic Hydraulics**

ITEM	PART NO.	DESCRIPTION	QTY	
			A	B
1	1678050	Floorplate	1	1
2	a 1678051	Floorplate (Standard Height)	1	..
2	d 4001351	Floorplate (Standard Height)	1	..
2	a 1678052	Floorplate (Standard Height)	1
2	d 4001352	Floorplate (Standard Height)	1
2	a 1678053	Floorplate (Low Height)	1	..
2	d 4001353	Floorplate (Low Height)	1	..
2	a 1678054	Floorplate (Low Height)	1
2	d 4001354	Floorplate (Low Height)	1
3	1678055	Floorplate (Standard Step)	1	1
3	1678056	Floorplate (Low Step)	1	1
4	1678057	Floorplate (Extension-Standard Height)	1	1
5	375629	Washer	6	6
6	2048064	Capscrew	3	3
7	313828	Nut	3	3
8	a 2107568	Floormat	1	..
8	c 4600369	Floormat	1	..
8	e 4605965	Floormat	1	..
8	a 2107567	Floormat	1
8	b 4600370	Floormat	1
8	f 4605966	Floormat	1
9	4003897	Liner	1	1
10	4003899	Liner	1	1
11	4003898	Liner	1

FOOTNOTES:**a** → S/N A935B01857H**b** S/N A935B01857H ↔ S/N A935B02040H**c** S/N A935B01858H ↔ S/N A935B01998H**d** S/N A935B01858H →**e** S/N A935B01999H →**f** S/N A935B02041H →

SEATS (FIGURE 1-23) FULL SUSPENSION — SHEET 1 OF 2



BP120663

SEATS
FULL SUSPENSION – SHEET 1 OF 2

KEY:

A: w/o Electronic Control Arm

B: w/ Electronic Control Arm

ITEM	PART NO.	DESCRIPTION	QTY	
			A	B
	2101602	Seat-Full Suspension (Vinyl-Maximum Travel)	1	1
	2101603	Seat-Full Suspension (Cloth-Maximum Travel)	1	1
	2101604			
	4603384	Seat-Full Suspension (Vinyl) (Swivel)	1	1
	2101605			
	4603385	Seat-Full Suspension (Cloth) (Swivel)	1	1
1	b 1703903	Kit-Cushion (Seat and Back, Vinyl)	1	1
1	b 1703900	Kit-Cushion (Seat and Back, Cloth)	1	1
2	b 1703901	Kit-Cushion (Back Cushion, Vinyl)	1	1
2	b 1703898	Kit-Cushion (Back Cushion, Cloth)	1	1
2	Back Cushion	1	1
2	1584643	Screw	2	2
3	b 1703902	Kit-Seat Cushion (Vinyl)	1	1
3	b 1703899	Kit-Seat Cushion (Cloth)	1	1
3	Seat Cushion	1	1
3	1637285	Spring	2	2
3	1513089	Cotter Pin (Hair)	2	2
4	b 1703892	Kit-Weight Adjuster	1	1
4	Knob	1	1
4	Bushing	1	1
4	Washer	1	1
4	Pin	1	1
4	U-Joint	1	1
5	b 1703894	Kit-Service (Front Panel) (With Swivel)	1	1
5	Front Panel	1	1
5	Knob	1	1
5	Socket Head Capscrew	2	2
5	Roll Pin	1	1
5	1703893	Kit-Service (Front Panel) (Non Swivel)	1	1
5	Front Panel	1	1
5	Socket Head Capscrew	2	2
5	Roll Pin	1	1
6	b 1703904	Kit-Seat Rail	1	1
6	Locking Rail	1	1
6	Slave Rail	1	1
6	Bolt	4	4
6	1367150	Nut	4	4
7	2099947	Armrest (LH)	1	1
8	f 1512536	Washer	2	1
9	f 18735	Screw	2	1
10	e 19901	Roll Pin	1	1
11	e 221353	Locknut	2	2
12	e 1598504	Kit-Seat Belt (Black)	1	1
13	e 15177	Washer	3	3
14	e 1581852	Washer	3	3

SEATS FULL SUSPENSION – SHEET 1 OF 2

KEY:

A: w/o Electronic Control Arm

B: w/ Electronic Control Arm

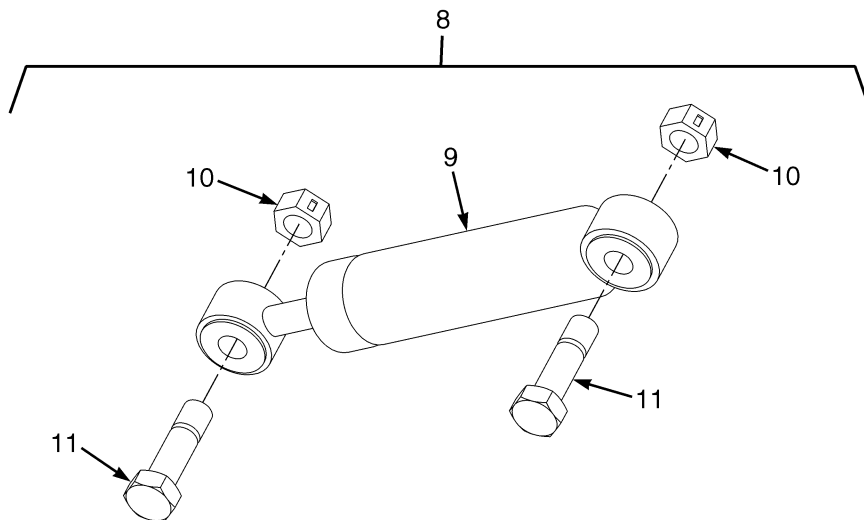
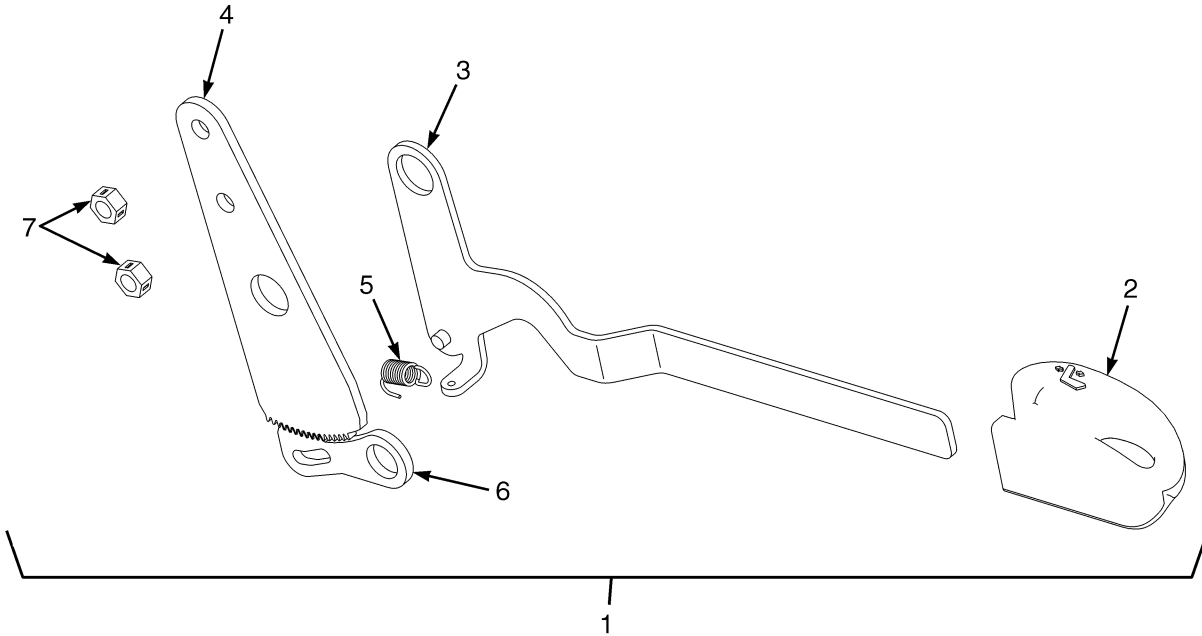
ITEM	PART NO.	DESCRIPTION	QTY	
			A	B
15	e 16375	Capscrew	2	1
15	e 18562	Capscrew	1
16	c 18462	Capscrew	2	1
17	c 18471	Capscrew	2	1
18	c 1512544	Block	2	1
18	c 4007318	Spacer (Alternate Part)	2	1
19	4004912	Plate (Maxium Travel Mounting)	2	2
20	1583611	Capscrew (Max Travel Seat Mount)	4	4
21	c 169874	Nut	4	2
22	1695690	Bracket	1	..
23	2099949	Armrest (Right-Hand Side)	1	..
24	1673605	Wire Harness (Seat Jumper)	1
24	1673607	Wire Harness (Seat Jumper)	1	..
25	1402815	Clip	1	1
26	129563	Strap Clamp	1	1
27	2107969	Cover (Seat Side Electrical)	1	1
28	1694830	Capscrew	2	2
29	296357	Washer	2	2
30	137852	Strap Clamp	1	1
31	2107319	Grommet	1	1
	d 1703895	Kit-Service Internal Tether-80 MM Travel (Maxium Travel)	1	1
	d 1703896	Kit-Service Internal Tether-56 MM Travel (With Swivel)	1	1
	ad 4036587	Kit Swivel Set	1	1
	ad 4036586	Kit Non Swivel Set	1	1
	d 2099950	Seat Cover (Right-Hand Side)	1	..
	de 1694700	Spacer (Seat Belt)	1
	bd 1563208	Sensor (Operator Presence)	1	1
	bd 4013095	Wire Harness	1	1
	bd 1470155	Information Case (Kit)	1	1
	d 1482925	Plate (Book Box)	1	1
	d 1482948	Box (Book)	1	1
	d 1482950	Cover	1	1
	d 1482949	Screw	4	4
	d 114312	Strap Clamp	1	1

FOOTNOTES:

- a** Also Includes Tether and 1703891 Kit-Recliner on Sheet 2
- b** Included with Seat
- c** Lower Armrest Mounting

- d** Not Illustrated
- e** Seat Belt Mounting
- f** Upper Armrest Mounting

SEATS (FIGURE 1-24) FULL SUSPENSION — SHEET 2 OF 2



BP120646

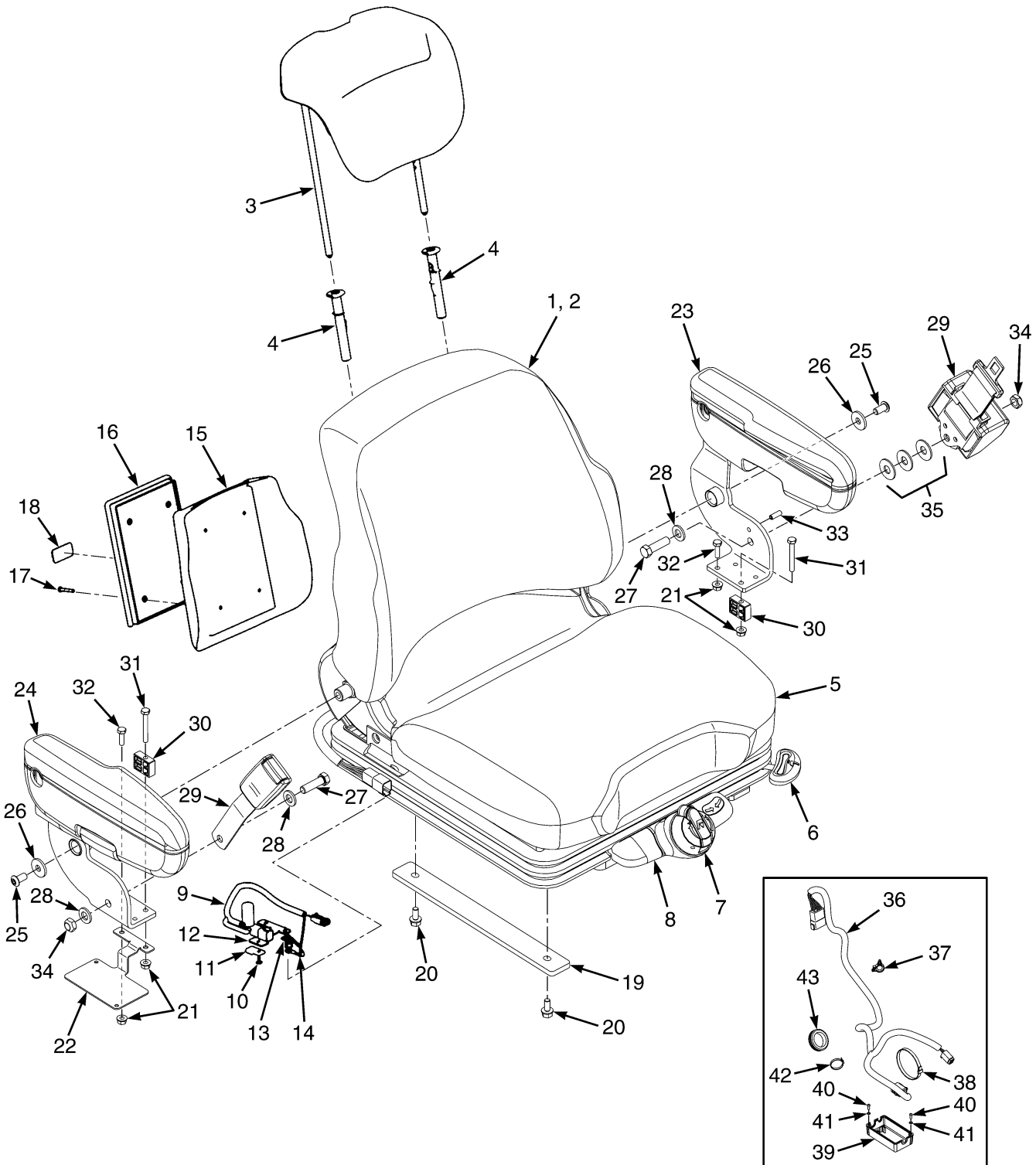
SEATS
FULL SUSPENSION – SHEET 2 OF 2

ITEM	PART NO.	DESCRIPTION	QTY
1	a 1703891	Kit-Recliner (Back Seat Adjustment)	1
2	Knob	1
3	Lever	1
4	1482905	Plate	1
5	Spring	1
6	1482906	Latch	1
7	1367150	Nut	2
8	1703890	Kit-Damper Service	1
9	1584632	Damper	1
10	1367150	Nut	2
11	1584638	Bolt	2

FOOTNOTES:

- a** Included with Seat and Non Swivel/Swivel Sets

SEAT (FIGURE 1-25) FULL SUSPENSION, HIGH BACK — SHEET 1 OF 2



BP120797

**SEAT
FULL SUSPENSION, HIGH BACK – SHEET 1 OF 2**

ITEM	PART NO.	DESCRIPTION	QTY
	4605183	Seat-Full Suspension (Vinyl) (High Back, Lumbar)	1
	4605182	Seat-Full Suspension (Cloth) (High Back, Lumbar)	1
1	4016924	Kit-Cushion (Seat Back, Vinyl)	1
1	4016928	Kit-Cushion (Seat Back, Cloth)	1
2	Back Cushion	1
2	1584643	Screw	2
3	4016926	Cushion (Head Rest)	1
4	1615149	Guide Assembly (Tubes)	2
5	1703903	Kit-Cushion (Seat and Back, Vinyl)	1
5	1703902	Kit-Seat Cushion (Vinyl)	1
5	1703899	Kit-Seat Cushion (Cloth)	1
5	Seat Cushion	1
5	1637285	Spring	2
5	1513089	Cotter Pin (Hair)	2
6	4043082	Kit-Seat Rail	1
6	Locking Rail	1
6	Slave Rail	1
6	Bolt	4
6	1367150	Nut	4
7	1703892	Kit-Weight Adjuster	1
7	Knob	1
7	Bushing	1
7	Washer	1
7	Pin	1
7	U-Joint	1
8	1703893	Kit-Service (Front Panel) (Non Swivel)	1
8	Front Panel	1
8	Socket Head Capscrew	2
8	Roll Pin	1
9	4013095	Wire Harness	1
10	1483003	Clip	1
11	Connector Clip	1
12	Retainer Bracket	1
13	1482949	Screw	2
14	893818	Wire (Ground Wire)	1
15	1482925	Plate (Book Box)	1
16	1453887	Holder (Manual)	1
17	1482949	Screw	4
18	1617681	Label (Serial Number)	1
19	4004912	Plate (Maxium Travel Mounting)	2
20	1583611	Capscrew (Max Travel Seat Mount)	1
21	169874	Nut	4
22	1695690	Bracket	1
23	2099947	Armrest (LH)	1
23	1563230	Cushion (LH Armrest)	1
24	2099949	Armrest (Right-Hand Side)	1
24	1563231	Cushion (RH)	1
25	18735	Screw	2
26	1512536	Washer	2
27	16375	Capscrew	2

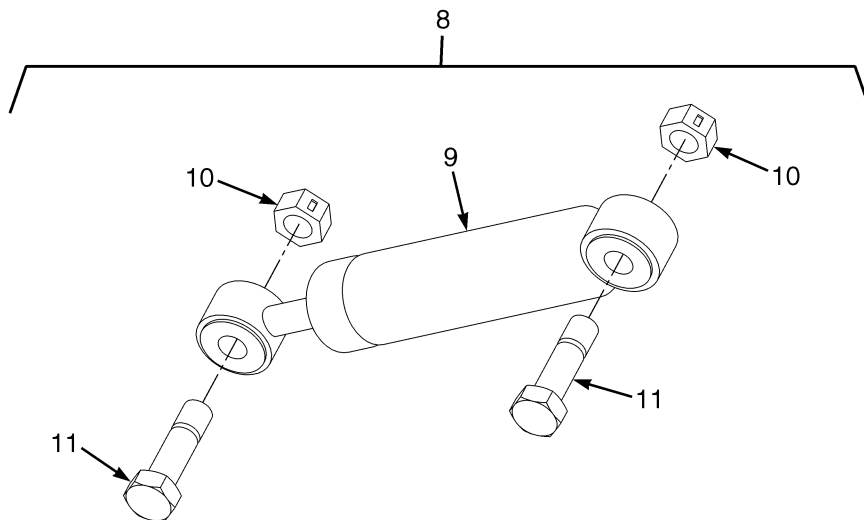
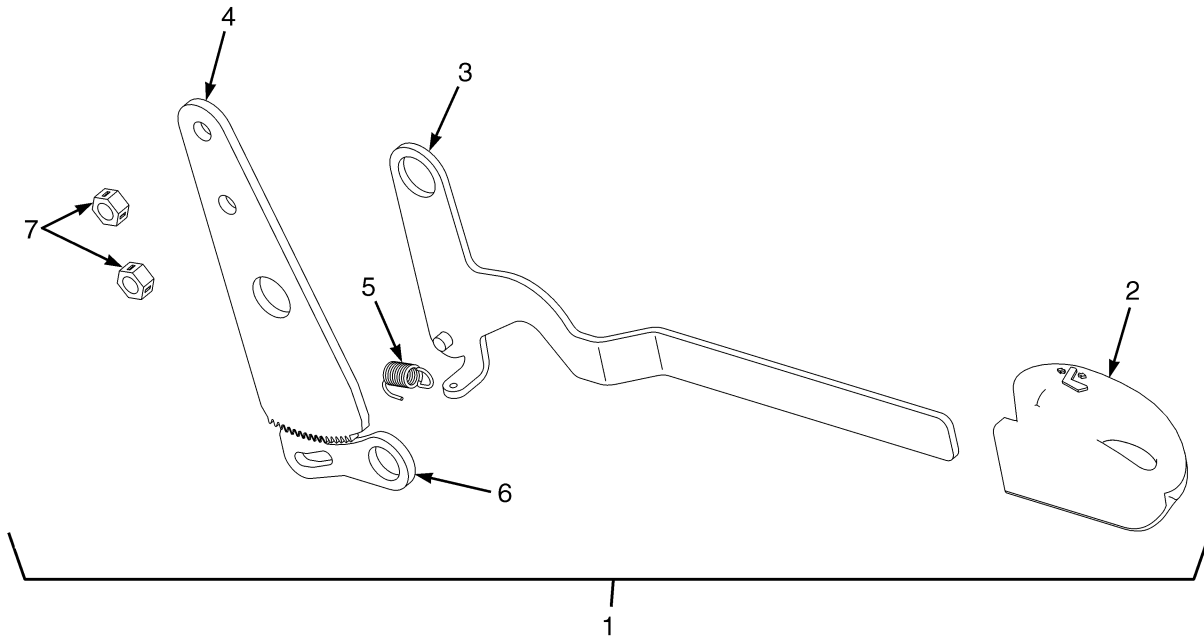
SEAT FULL SUSPENSION, HIGH BACK – SHEET 1 OF 2

ITEM	PART NO.	DESCRIPTION	QTY
28	1581852	Washer	3
29	1598504	Kit-Seat Belt (Black)	1
30	4007318	Spacer	2
31	18471	Capscrew	2
32	18462	Capscrew	2
33	19901	Roll Pin	1
34	221353	Locknut	2
35	15177	Washer	3
36	1673605	Wire Harness (Seat Jumper) (With E Hyd)	1
36	1673607	Wire Harness (Seat Jumper) (Without E Hyd)	1
37	1402815	Clip	1
38	129563	Strap Clamp	1
39	2107969	Cover (Seat Side Electrical)	1
40	1694830	Capscrew	2
41	296357	Washer	2
42	137852	Strap Clamp	1
43	2107319	Grommet	1
	4032461	Kit (Mechanical Lumbar)	1
	a 4032460	Kit (Non Swivel Seat)	1
	b 2099950	Seat Cover (Right-Hand Side)	1
	b 1563208	Sensor (Operator Presence)	1
	b 4027341	Bracket (Angle Controller)	1
	b 1703895	Kit-Service Internal Tether-80 MM Travel (Maxium Travel)	1
	b 114312	Strap Clamp	1

FOOTNOTES:

- a** Kit included Tether and Recliner Kit from Sheet 2 of 2 Also **b** Not Illustrated

SEAT (FIGURE 1-26) FULL SUSPENSION, HIGH BACK — SHEET 2 OF 2

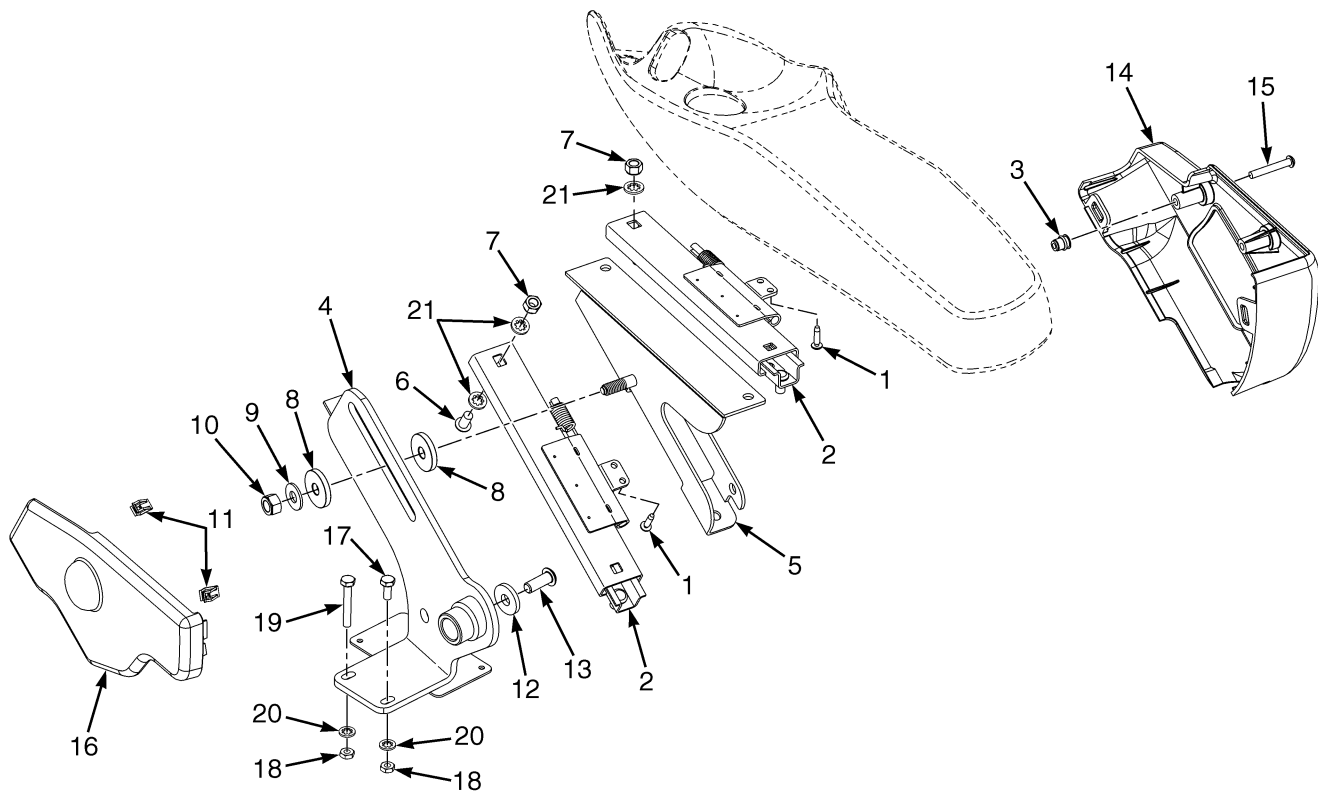


BP120646

SEAT
FULL SUSPENSION, HIGH BACK – SHEET 2 OF 2

ITEM	PART NO.	DESCRIPTION	QTY
1	1703891	Kit-Recliner (Back Seat Adjustment)	1
2	Knob	1
3	Lever	1
4	1482905	Plate	1
5	Spring	1
6	1482906	Latch	1
7	1367150	Nut	2
8	1703890	Kit-Damper Service	1
9	1584632	Damper	1
10	1367150	Nut	2
11	1584638	Bolt	2

ARMREST SLIDER ASSEMBLY (FIGURE 1-27) (→ 9/2010)



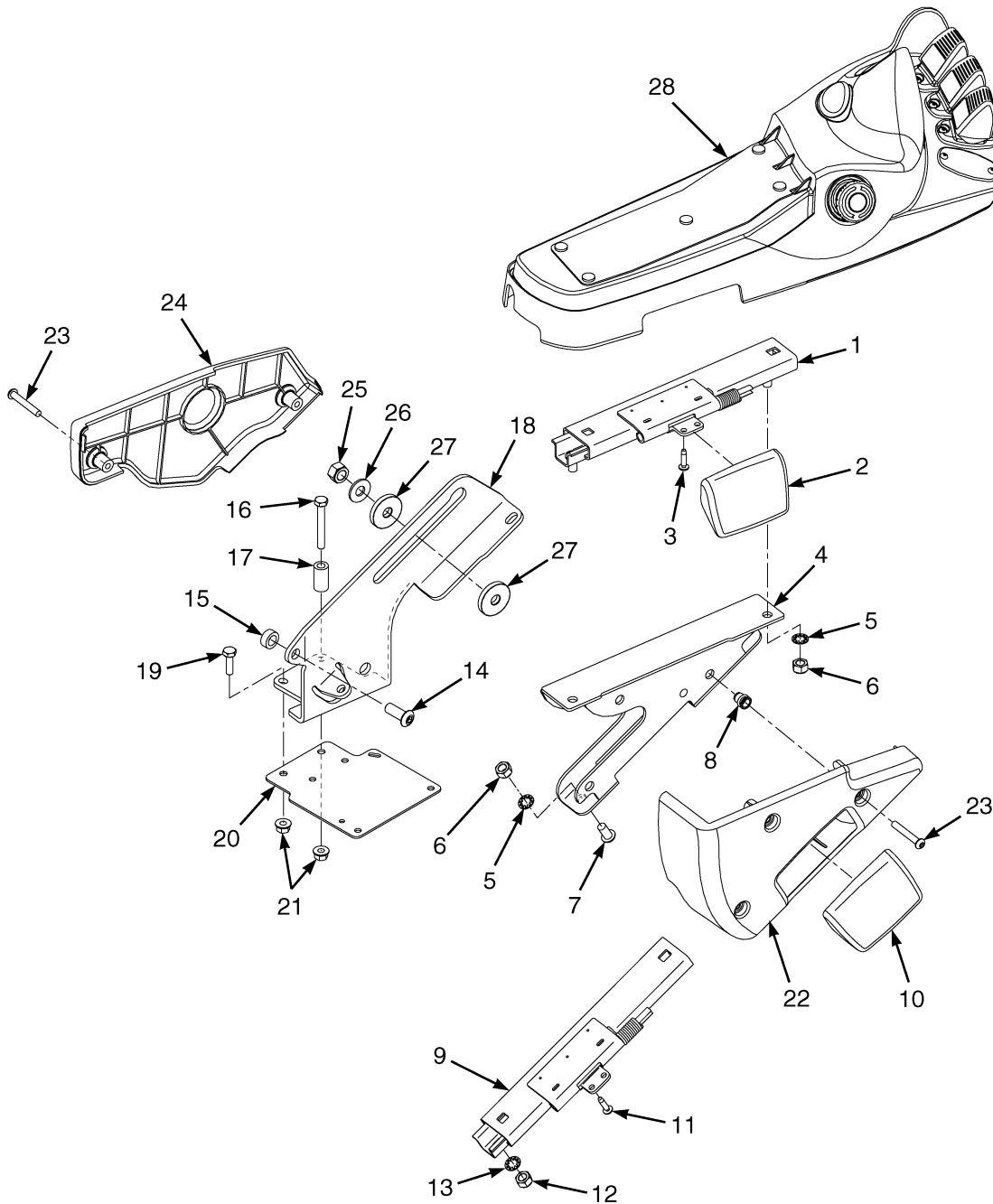
HP121229

ARMREST SLIDER ASSEMBLY
(→ 9/2010)

ITEM	PART NO.	DESCRIPTION	QTY
	1694521	Armrest (Right-Hand Side) Assembly	1
	Armrest (Handle Slide Assy-Upper)	1
	Armrest (Handle Slide Assy-Lower)	1
	a 1655865	Handle (Slider)	2
1	227157	Screw	4
2	1661511	Armrest (Slider)	2
3	1531558	Insert	3
4	1661509	Bracket Wldmt	1
5	4007052	Bracket Wldmt	1
6	296165	Capscrew	2
7	313828	Nut	6
8	1650640	Washer	2
9	320160	Washer	1
10	316826	Nut	1
11	2065667	Clip	2
12	1572889	Washer	1
13	18738	Capscrew	1
14	4603492	Cover	1
15	2062875	Capscrew	3
16	4603493	Cover	1
17	18462	Capscrew	1
18	169874	Nut	2
19	18471	Capscrew	1
	a 296380	Washer (Star)	1
	a 296360	Washer (Star)	6
	a 296166	Capscrew	2
	a	Mini-Lever Controls	1

FOOTNOTES:**a** Not Illustrated

ARMREST SLIDER ASSEMBLY (FIGURE 1-28) (9/2010 →)

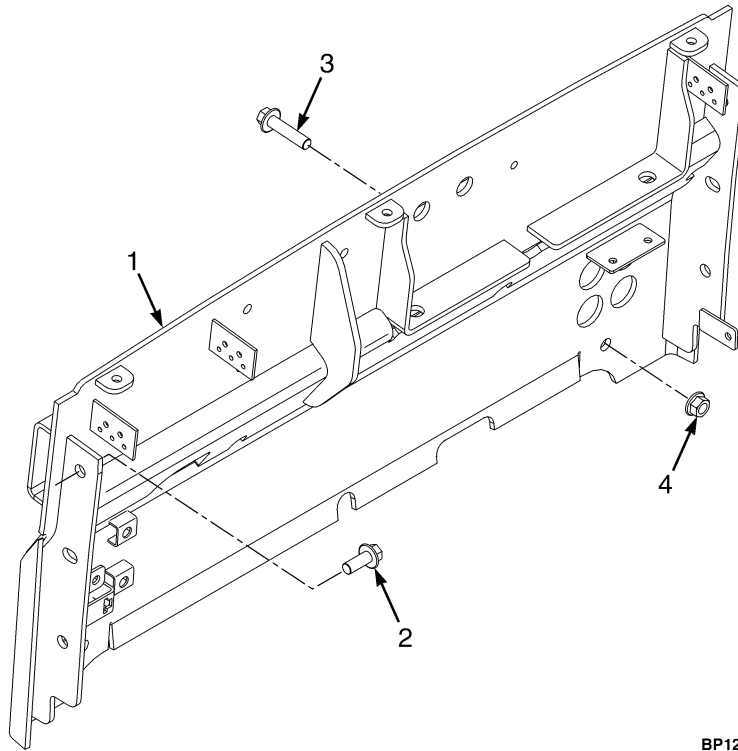


BP120759

ARMREST SLIDER ASSEMBLY
(9/2010 →)

ITEM	PART NO.	DESCRIPTION	QTY
	4005010	Armrest (Slider for Mini Lever)	1
1	Armrest (Handle Slide - Upper)	1
1	1661511	Armrest (Slider)	1
2	1655865	Handle (Slider)	1
3	227157	Screw	2
4	4007052	Bracket Wldmt	1
5	296360	Washer	4
6	313828	Nut	4
7	296165	Capscrew	2
8	1531558	Insert	3
9	Armrest (Handle Slide Assy)	1
9	1661511	Armrest (Slider)	1
10	1655865	Handle (Slider)	1
11	227157	Screw	2
12	313828	Nut	2
13	296360	Washer	2
14	18738	Capscrew	1
15	4007319	Spacer	1
16	18471	Capscrew	1
17	4007318	Spacer	1
18	4004775	Bracket	1
19	18462	Capscrew	1
20	4004776	Cover Plate	1
21	169874	Nut	2
22	4603492	Cover	1
23	2062875	Capscrew	5
24	4603493	Cover	1
25	316826	Nut	1
26	320160	Washer	1
27	1650640	Washer	2
28	Mini-Lever Control Arm	1

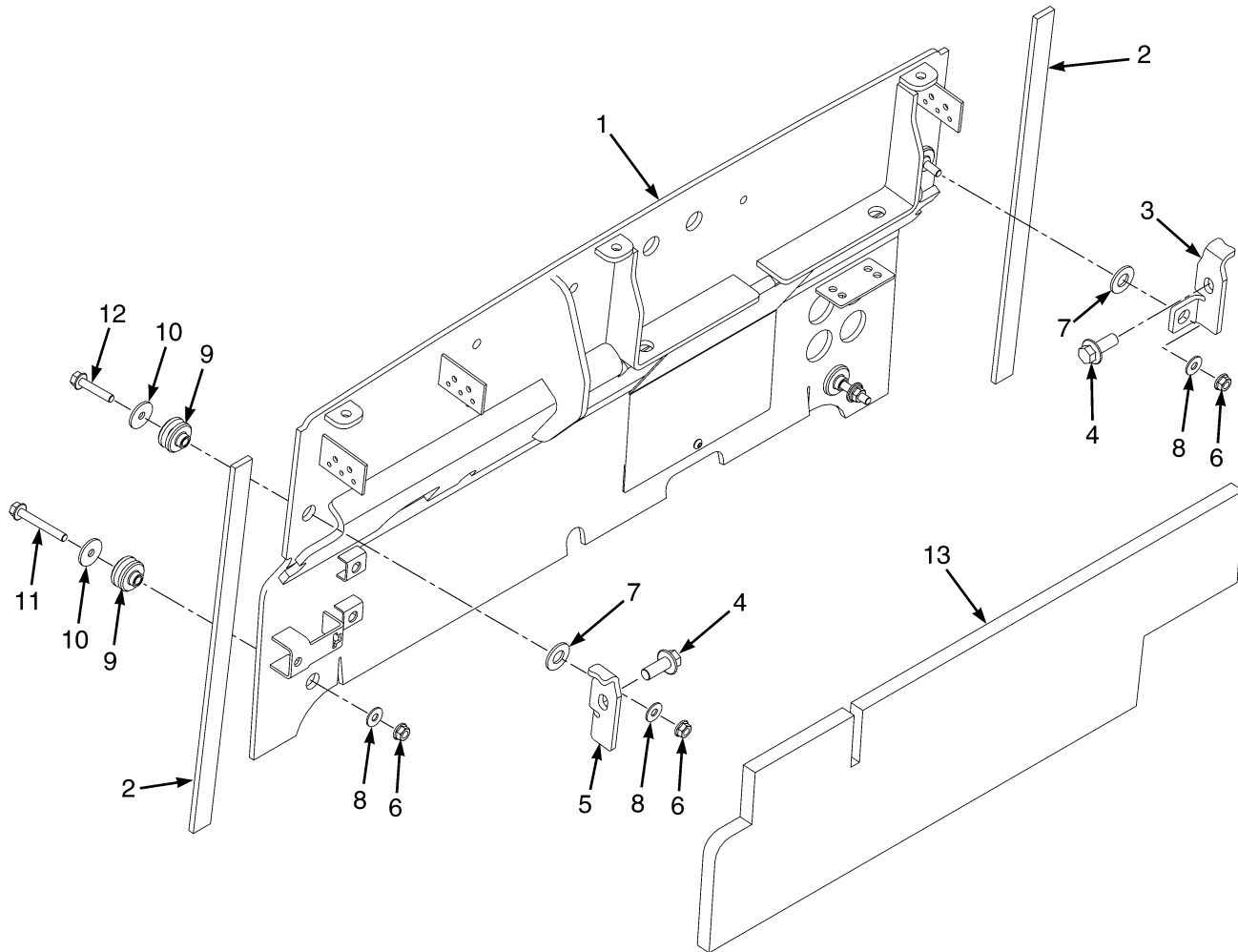
COWL AND MOUNTING (FIGURE 1-29)
(→ S/N A935B02293J)



BP120444

ITEM	PART NO.	DESCRIPTION	QTY
1	4017602	Cowl	1
2	1528889	Capscrew	6
3	1527889	Capscrew	2
4	4370949		
	1528888	Nut (Shoulder)	2

COWL AND MOUNTING (FIGURE 1-30) (S/N A935B02294J →)



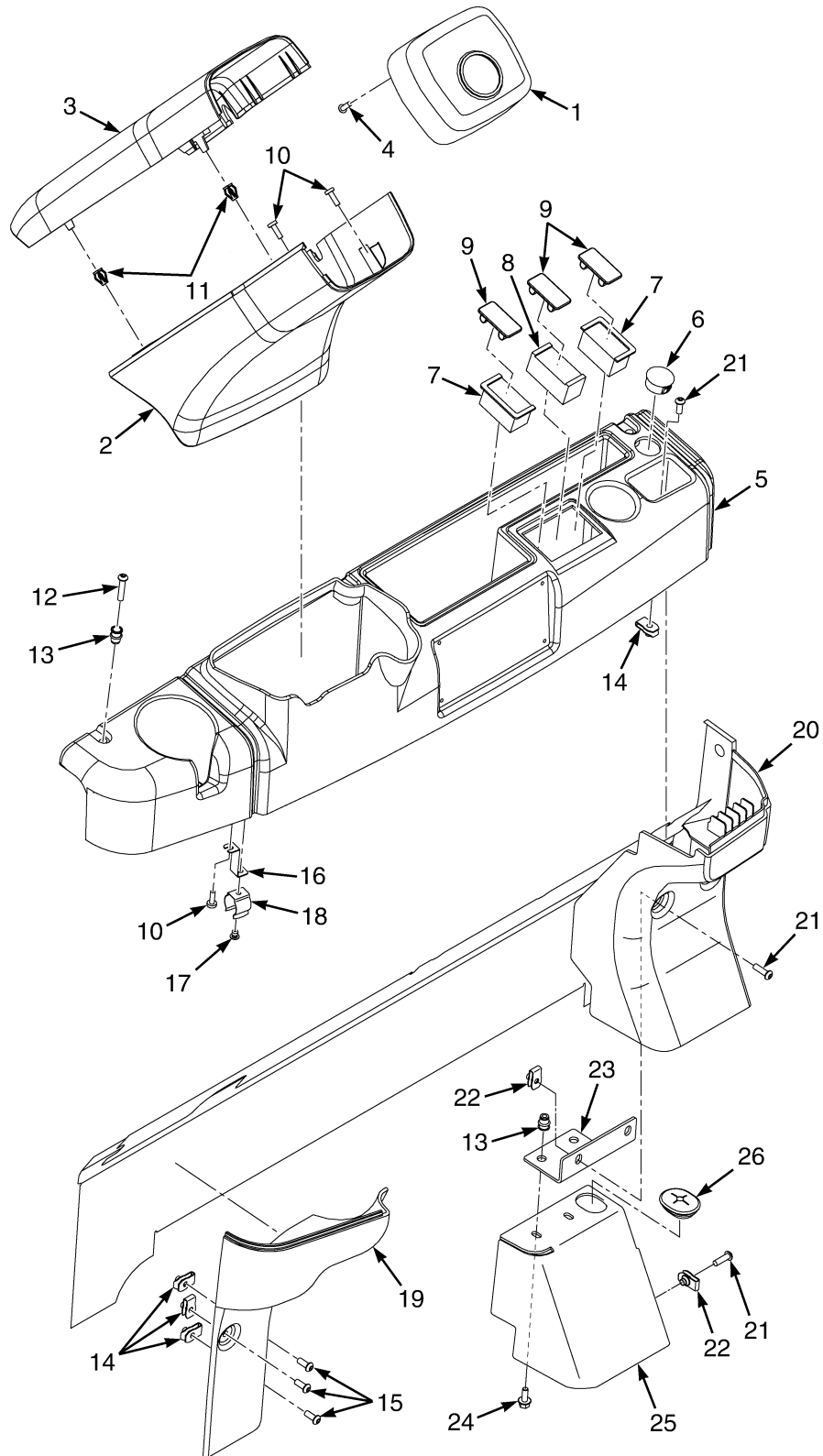
BP120836

COWL AND MOUNTING
(S/N A935B02294J →)

ITEM	PART NO.	DESCRIPTION	QTY
1	4026006	Cowl	1
2	4032347	Seal (Foam)	2
3	4031760	Bracket (RH)	2
4	1528889	Capscrew	2
5	4031759	Bracket (LH)	1
6	1382472 1502543	Nut (Flange)	4
7	320164	Washer	2
8	320158	Washer	4
9	2063991	Isolator	4
10	1346752	Washer	4
11	1510116	Capscrew	2
12	1510114	Capscrew	2
13	a 4029046	Liner	1

FOOTNOTES:**a** S/N A935B02301J →

DASH AND STEERING COLUMN COVERS (FIGURE 1-31) FIXED COLUMN

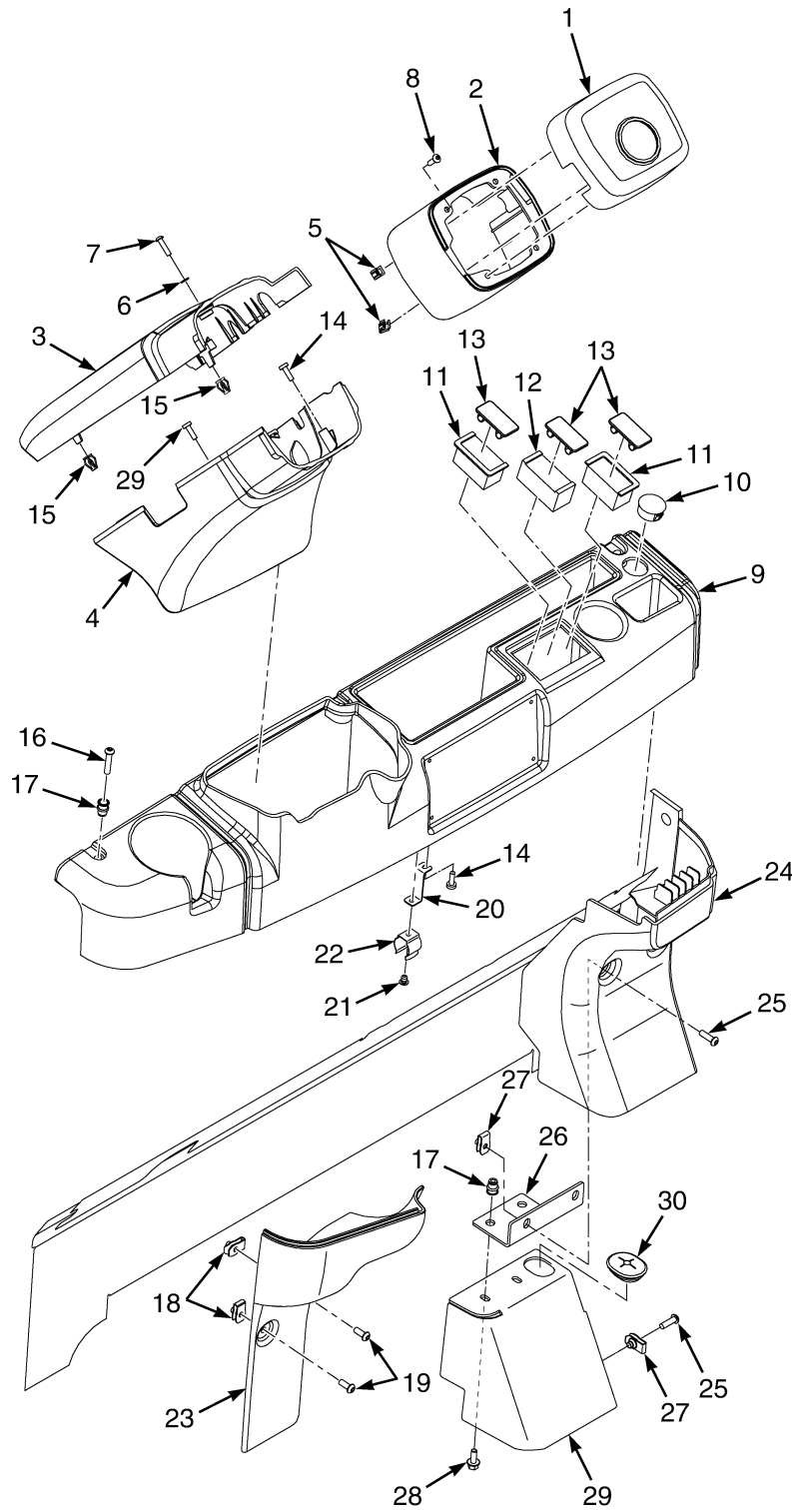


BP120523

**DASH AND STEERING COLUMN COVERS
FIXED COLUMN****KEY:****A: With Cab****B: Without Cab**

ITEM	PART NO.	DESCRIPTION	QTY	
			A	B
1	2101895	Cover (w/ Turn Signals)	1	1
1	2101893	Cover (w/o Turn Signals)	1	1
2	2101791	Cover (Lower Column)	1	1
3	2101792	Cover (Upper Column)	1	1
4	1378550	Capscrew	4	4
5	2109771	Dash Panel	1	..
5	2096652	Dash Panel	1
6	1695158	Plug	1	1
7	1382311	Panel (End)	2	2
8	1382312	Panel (Center)	1	1
9	1382313	Cover	3	3
10	2027655	Screw	7	7
11	2065667	Clip	2	2
12	2071261	Capscrew	3	3
13	1531001	Insert	3	3
14	325182	Nut	3	3
15	2022617	Capscrew	4	4
15	2022617	Capscrew (Alternate Part)	3	3
16	1698539	Bracket	3	3
17	222027	Rivet	3	3
18	1693441	Clip	3	3
19	2108286	Cover	1	1
20	2111879	Cover	1
21	353144	Capscrew	3	2
22	1566420	Nut	3	2
22	325182	Nut (Alternate Part)	3	3
23	4017600	Bracket	1
24	1527876	Capscrew	2
25	4017598	Hose Guard	1	..
26	4601386	Grommet	1	..

DASH AND STEERING COLUMN COVERS (FIGURE 1-32) TELESCOPIC COLUMN

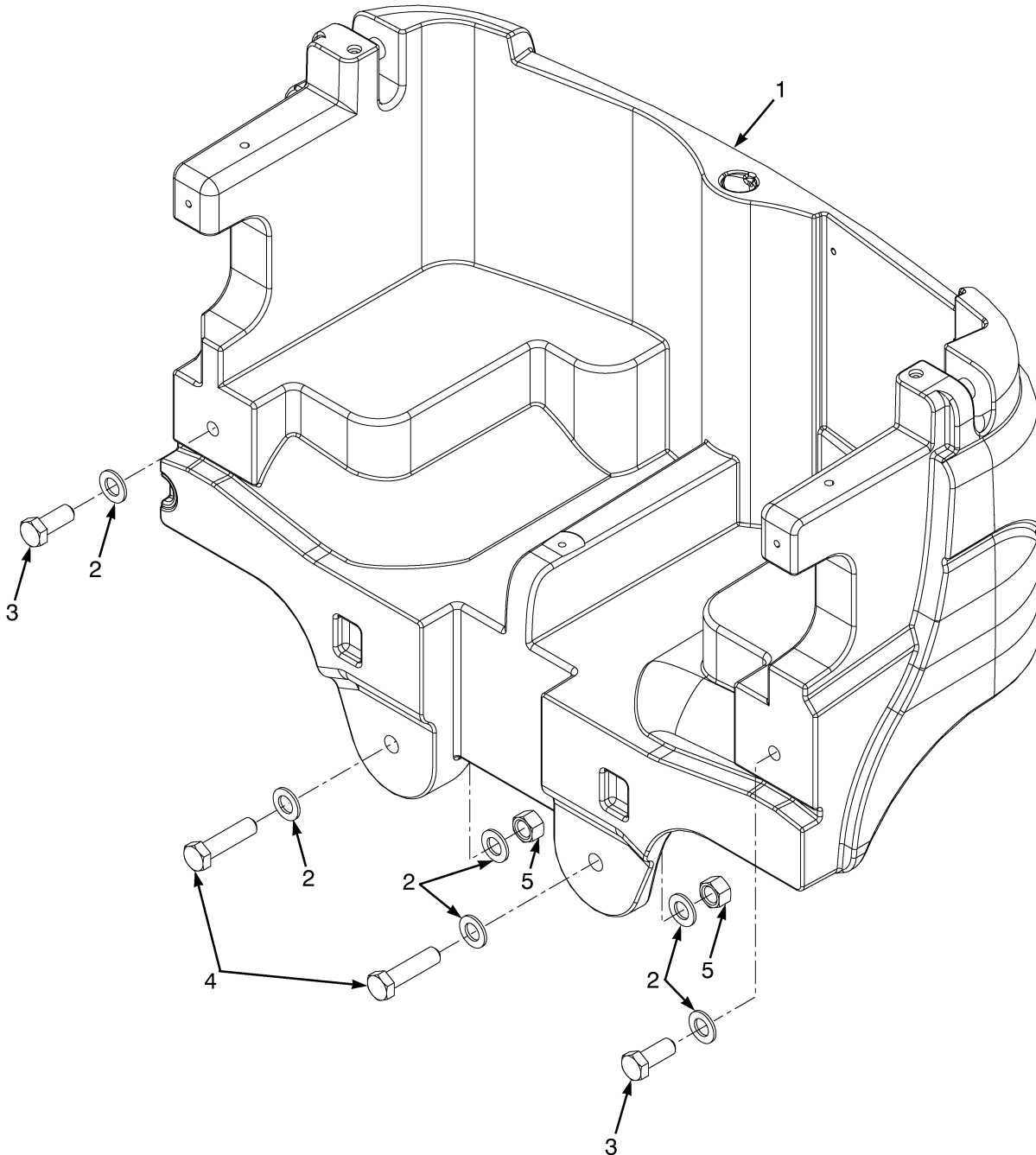


BP120522

**DASH AND STEERING COLUMN COVERS
TELESCOPIC COLUMN****KEY:****A: With Cab****B: Without Cab**

ITEM	PART NO.	DESCRIPTION	QTY	
			A	B
1	2101895	Cover (w/ Turn Signal)	1	1
1	2101893	Cover (w/o Turn Signal)	1	1
2	2101894	Cover (Telescoping)	1	1
3	2101790	Cover (Upper)	1	1
4	2101789	Cover (Lower)	1	1
5	2065667	Clip	2	2
6	320155	Washer	1	1
7	296154	Capscrew	1	1
8	1378550	Capscrew	4	4
9	2109771	Dash Panel	1	..
9	2096652	Dash Panel	1
10	1695158	Plug	1	1
11	1382311	Panel (End)	2	2
12	1382312	Panel (Center)	1	1
13	1382313	Cover	3	3
14	2027655	Screw	7	7
15	2065667	Clip	2	2
16	2071261	Capscrew	3	3
17	1531001	Insert	3	3
18	325182	Nut	3	3
19	2022617	Capscrew	4	4
19	2022617	Capscrew (Alternate Part)	3	3
20	1698539	Bracket	3	3
21	222027	Rivet	3	3
22	1693441	Clip	3	3
23	2108286	Cover	1	1
24	2111879	Cover	1
25	353144	Capscrew	3	2
26	4017600	Bracket	1
27	1566420	Nut	3	2
27	325182	Nut (Alternate Part)	3	3
28	1527876	Capscrew	2
29	4017598	Hose Guard	1	..
30	4601386	Grommet	1	..

COUNTERWEIGHT (FIGURE 1-33)



BP120441

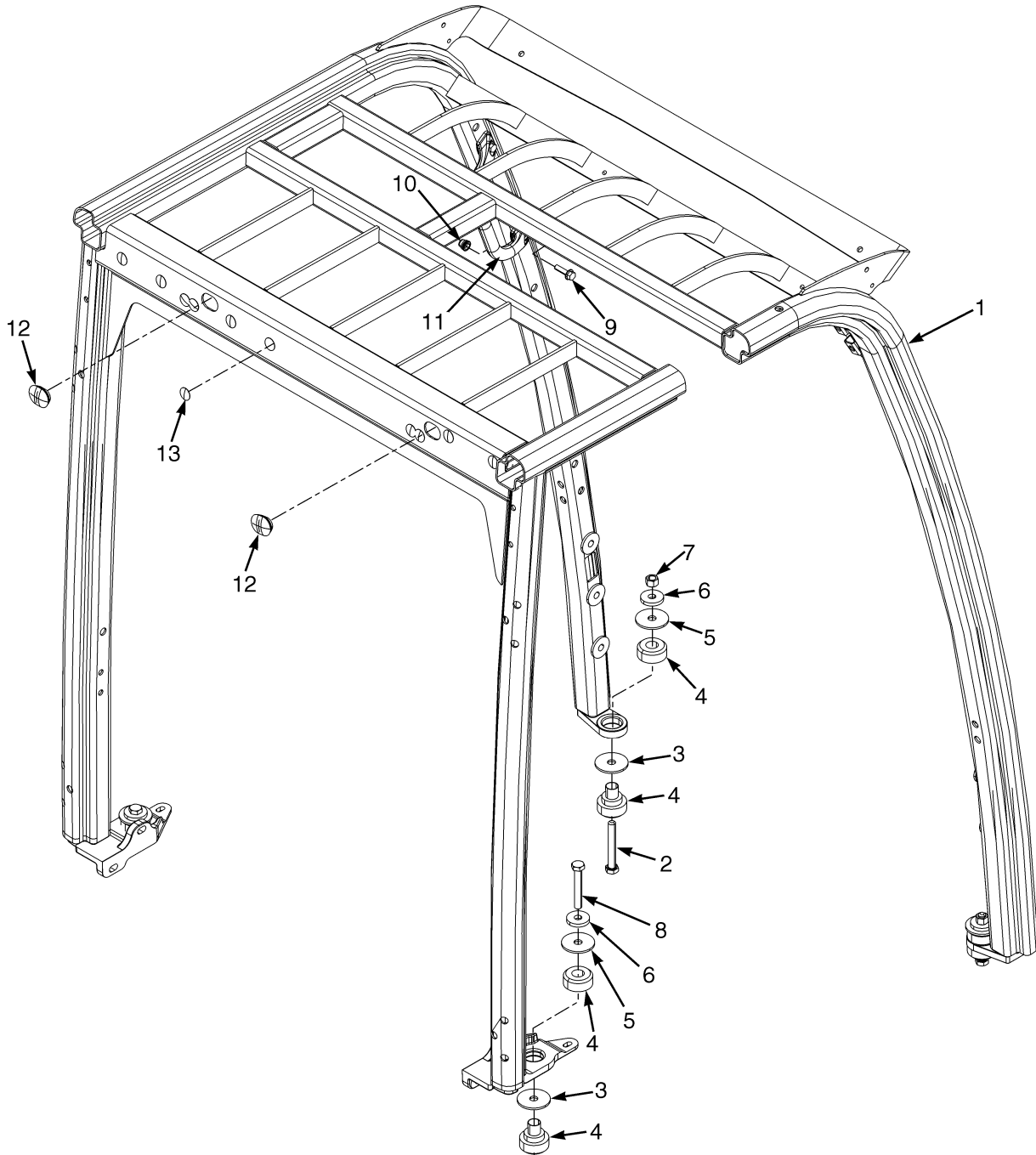
COUNTERWEIGHT

ITEM	PART NO.	DESCRIPTION	QTY
1	1666527	Counterweight	1
2	296431	Washer	6
3	293706	Capscrew	2
4	293712	Capscrew	2
5	292659	Nut	2
	a 2311349	Shim	4

FOOTNOTES:

a Not Illustrated

OVERHEAD GUARD (FIGURE 1-34) (→ S/N A935B02293J)



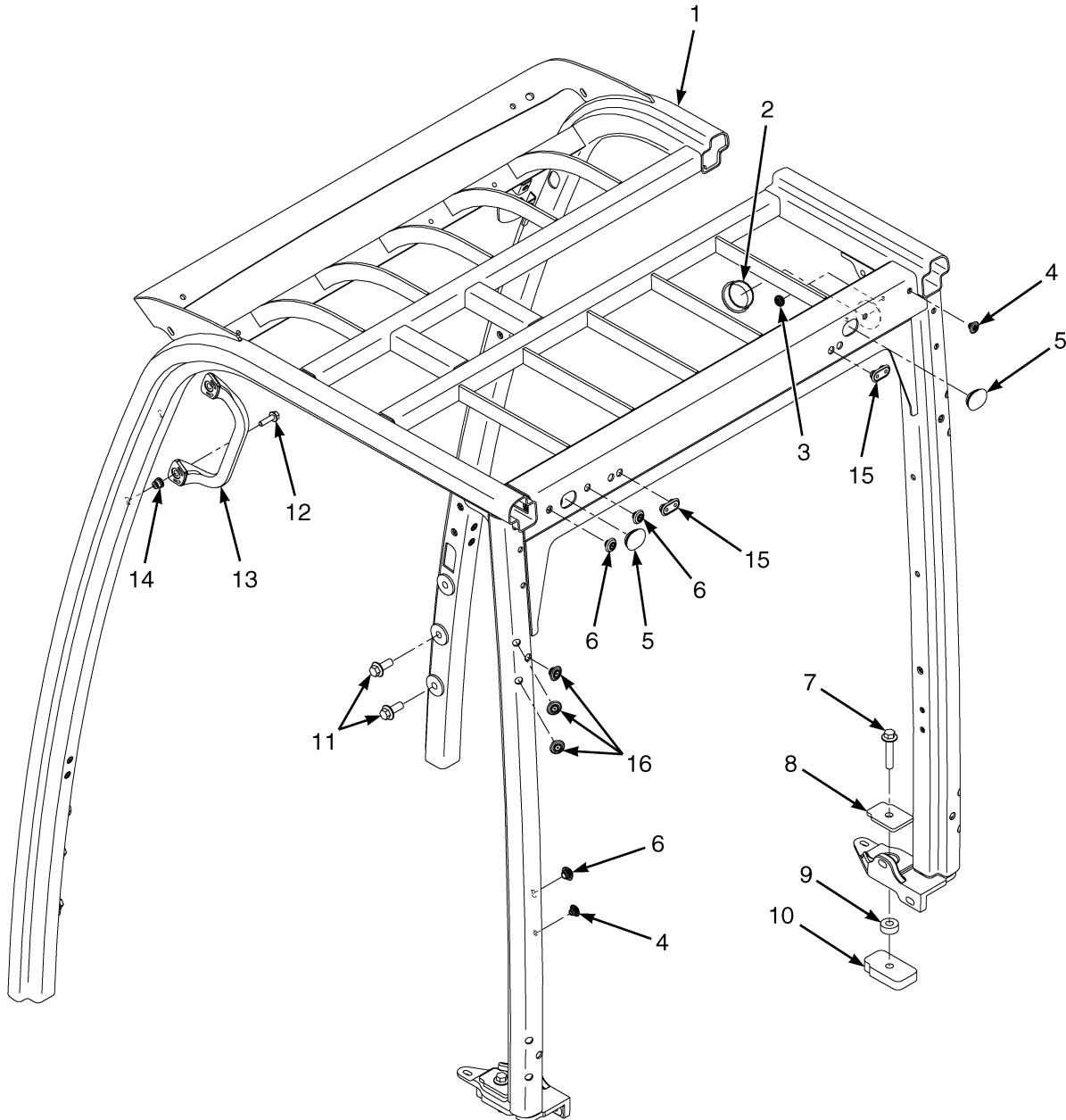
BP120451

OVERHEAD GUARD
(→ S/N A935B02293J)

ITEM	PART NO.	DESCRIPTION	QTY
1	1651256	Overhead Guard (Standard 546 mm Battery Compartment)	1
1	1651257	Overhead Guard (Standard 642 mm Battery Compartment)	1
1	1651258	Overhead Guard (Standard 750 mm Battery Compartment)	1
2	292537	Capscrew	2
2	1695672	Bolt (Alternate Part)	2
3	1673292	Washer	2
4	1397807	Mount	4
5	1397808	Washer	8
6	300932	Washer	2
7	300937	Nut	2
8	292535	Capscrew	2
9	1527881	Capscrew	2
10	1531557	Insert	2
11	1676884	Handle	1
12	2070996	Grommet	4
13	1574301	Plug	2
	a 1398009	Plug	2

FOOTNOTES:**a** Not Illustrated

OVERHEAD GUARD (FIGURE 1-35) (S/N A935B02294J →)



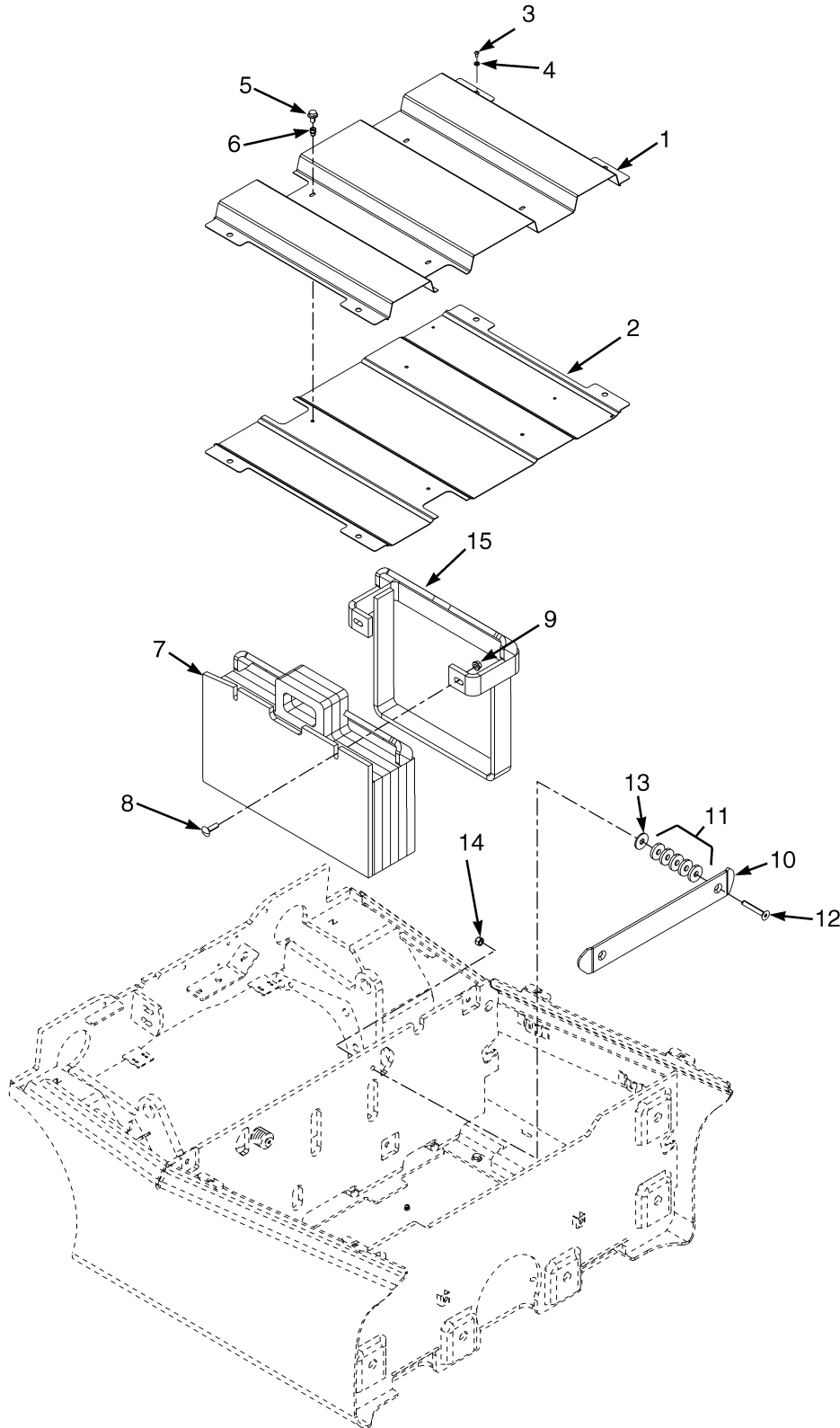
BP120779

OVERHEAD GUARD
(S/N A935B02294J →)**KEY:****A: With Cab****B: Without Cab**

ITEM	PART NO.	DESCRIPTION	QTY	
			A	B
1	4026120	Overhead Guard (Standard 546 mm Battery Compartment)	1	1
1	4026121	Overhead Guard (Standard 642 mm Battery Compartment)	1	1
1	4026122	Overhead Guard (Standard 750 mm Battery Compartment)	1	1
1	1337087	Flange	6	6
2	1398009	Plug	2	2
3	1698799	Plug (Yellow) (6.75 mm)	4	4
4	1698800	Plug (Yellow) (10.0 mm)	2	8
5	2070996	Grommet	3	3
6	1698801	Plug (Yellow) (13.5 mm)	2	15
7	1583945	Capscrew	2	2
8	4026997	Spacer	2	2
9	4027313	Spacer	2	2
10	4026873	Mount	2	2
11	1528889	Capscrew	4	4
12	1527881	Capscrew	2	2
13	1676884	Handle	1	1
14	1531557	Insert	2	2
15	2109933	Plug	2
16	1698802	Plug	16
	a 1702413	Plug (Yellow) (23.0 mm)	2	2

FOOTNOTES:**a** Not Illustrated

BATTERY TRAY OPTIONS (FIGURE 1-36) DROP-IN



BP120496

**BATTERY TRAY OPTIONS
DROP-IN**

KEY:

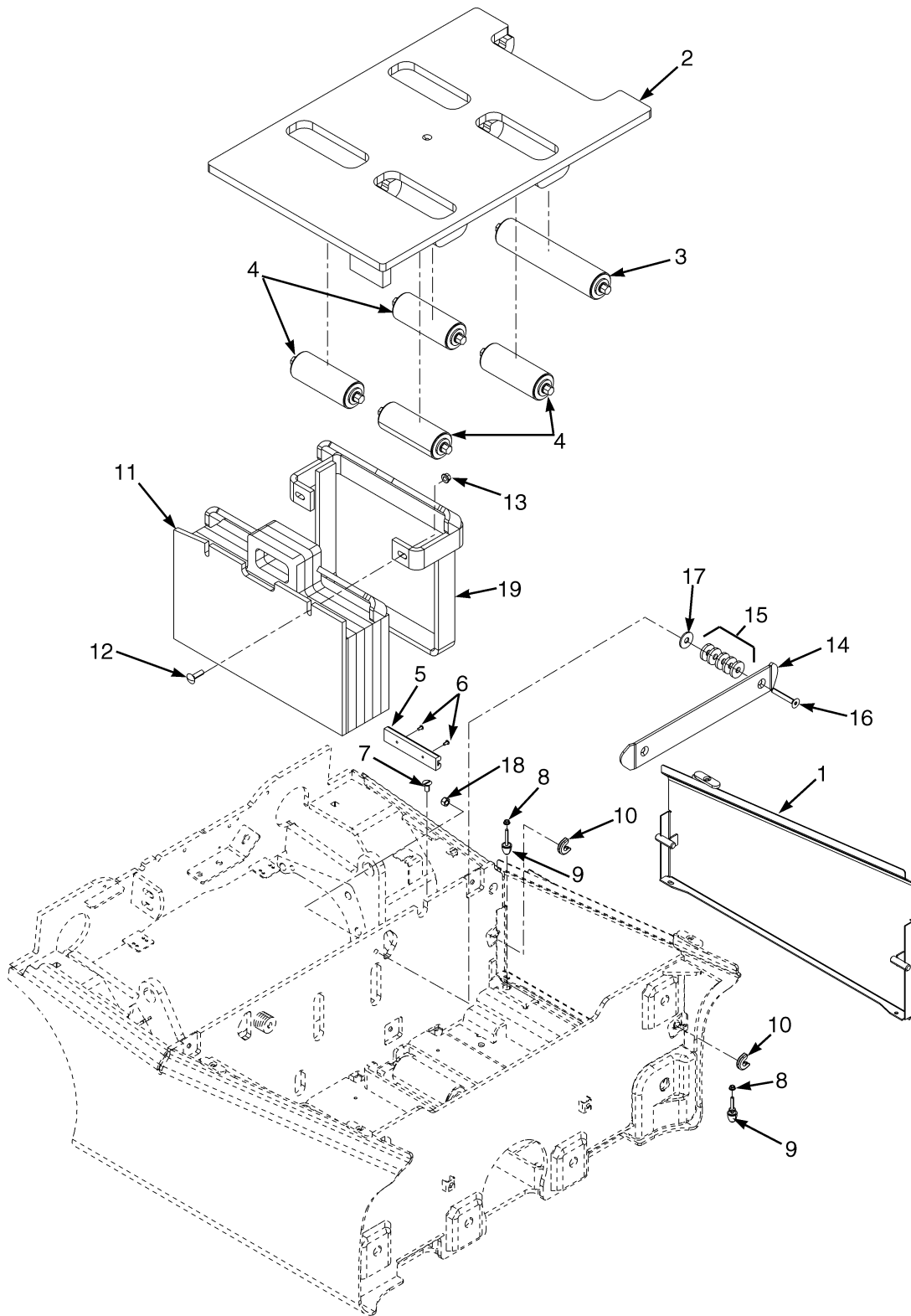
- A: 546 mm Battery Compartment**
- B: 642 mm Battery Compartment**
- C: 750 mm Battery Compartment**

ITEM	PART NO.	DESCRIPTION	QTY		
			A	B	C
1	1650417	Battery Tray (Upper)	1
1	1650418	Battery Tray (Upper)	1	..
1	1650419	Battery Tray (Upper)	1
2	1656645	Battery Tray (Lower)	1
2	1656646	Battery Tray (Lower)	1	..
2	1656647	Battery Tray (Lower)	1
3	296151	Capscrew	4	4	4
4	197067	Washer	4	4	4
5	1527877	Capscrew	4	4	4
6	1531001	Insert	4	4	4
7	a 1673871	Add-On Counterweight	1	1	..
7	b 1677284	Add-On Counterweight	1	..
8	1380371	Bolt	2	2	2
9	1460477	Nut	2	2	2
10	1678212	Plate	1	1	1
11	1657116	Spacer	10	10	10
12	296247	Capscrew (M10 x 1.5 x 70)	2	2	2
13	1665541	Spacer	2	2	2
14	316826	Nut	2	2	2
15	1687354	Spacer Block	1
	c 1695591	Support	1
	c 1695593	Support	1	..
	c 1695594	Support	1
	c 1527884	Capscrew	2	2	2
17	1527888	Capscrew (Alternate Part)	2	2	2
	c 1530244	Insert	2	2	2
18	4013503	Insert (Alternate Part)	2	2	2

FOOTNOTES:

- a** J1.6/J1.8XN
- b** Model: J2.0XN
- c** Not Illustrated

BATTERY TRAY OPTIONS (FIGURE 1-37) SIDE-REMOVAL (→ S/N A935B02293J)



BP120497

BATTERY TRAY OPTIONS
SIDE-REMOVAL (→ S/N A935B02293J)

KEY:

A: 546 mm Battery Compartment

B: 642 mm Battery Compartment

C: 750 mm Battery Compartment

ITEM	PART NO.	DESCRIPTION	QTY		
			A	B	C
1	1675547	Side Panel	1
1	1675548	Side Panel	1	..
1	1675549	Side Panel	1
2	1677543	Plate Wldmt	1
2	1677544	Plate Wldmt	1	..
2	1677545	Plate Wldmt	1
3	2309222	Roller	1	1	1
4	1677335				
	4046964	Roller	4	4	4
5	2096392	Bumper	1	1	1
6	296151	Capscrew	2	2	2
7	296330	Capscrew	1	1	1
8	1307884				
	1514429	Nut	4	4	4
9	1657420	Isolator	2	2	2
10	1657222	Clip	2	2	2
11	b 1684421	Add-On Counterweight	1	..
11	a 1677631				
	4026992	Add-ON Counterweight	1	..
12	1380371	Bolt	2	2	2
13	1460477	Nut	2	2	2
14	1678212	Plate	1	1	1
15	1657116	Spacer	10	10	10
16	296247	Capscrew (M10 x 1.5 x 70)	2	2	2
17	1665541	Spacer	2	2	2
18	316826	Nut	2	2	2
19	1687354	Spacer Block	1
	c 2108825	Spacer	1	1	1

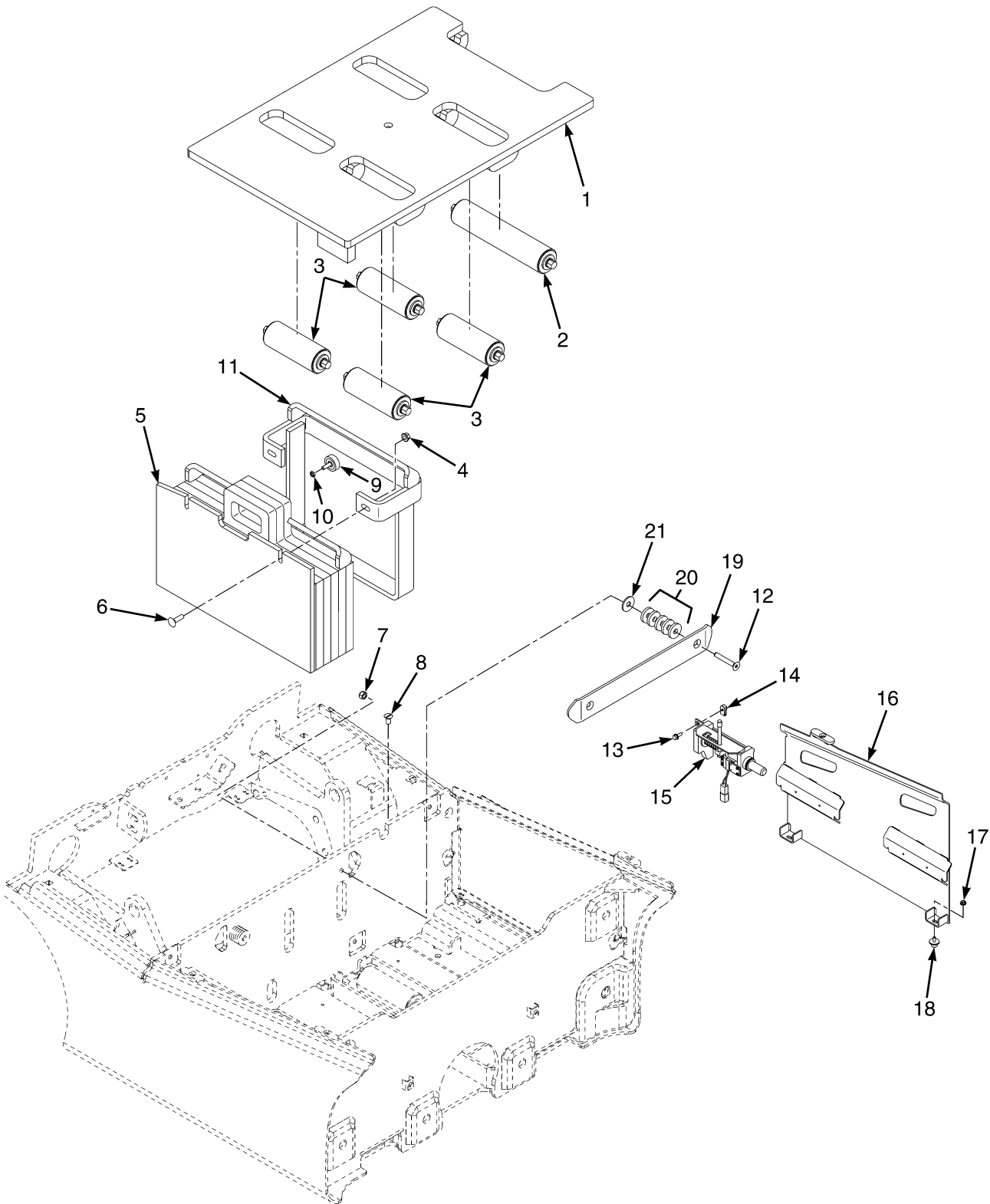
FOOTNOTES:

a Model: 2.0XN

c Not Illustrated

b Model: J1.6-1.8XN

BATTERY TRAY OPTIONS (FIGURE 1-38) SIDE REMOVAL (S/N A935B02294J →)



BP120804

BATTERY TRAY OPTIONS
SIDE REMOVAL (S/N A935B02294J →)

KEY:

- A: 546 mm Battery Compartment**
- B: 642 mm Battery Compartment**
- C: 750 mm Battery Compartment**

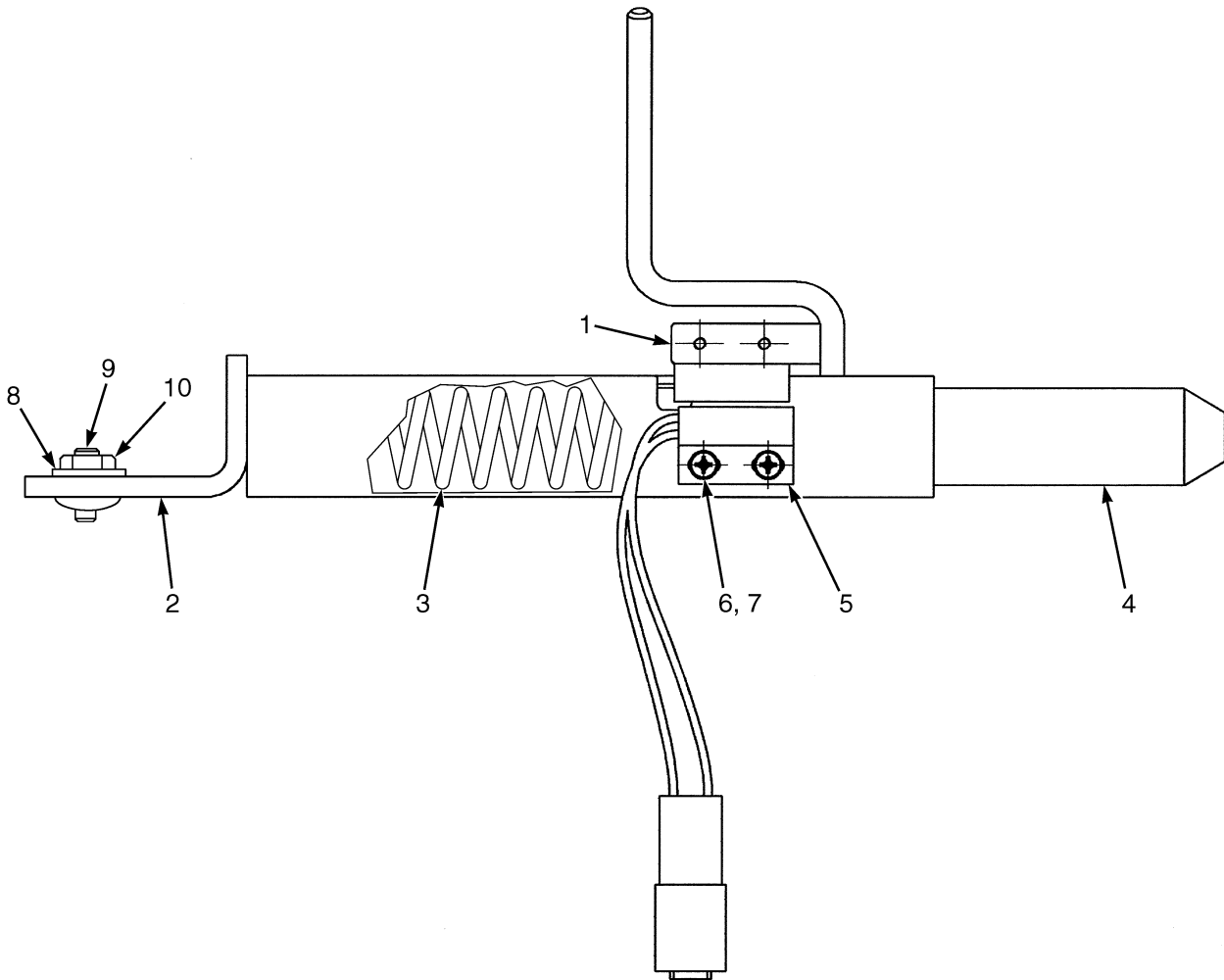
ITEM	PART NO.	DESCRIPTION	QTY		
			A	B	C
1	1677543	Plate Wldmt	1
1	1677544	Plate Wldmt	1	..
1	1677545	Plate Wldmt	1
2	2309222	Roller	1	1	1
3	1677335				
	4046964	Roller	4	4	4
4	1460477	Nut	2	2	2
5	a 1684421	Add-On Counterweight	1	..
5	b 1677634				
	4026992	Add-ON Counterweight	1	..
6	1380371	Bolt	2	2	2
7	316826	Nut	2	2	2
8	296330	Capscrew	1	1	1
9	2102184	Rubber Mount	2	2	2
10	1593335	Nut	2	2	2
11	1687354	Spacer Block	1
12	316826	Nut	2	2	2
13	1527876	Capscrew	2	2	2
14	1566420	Nut	2	2	2
15	4026010	Retainer (☞Figure 1-40).....	1	1	1
16	4026142	Panel	1
16	4026143	Panel	1	..
16	4026144	Panel	1
17	1307884				
	1514429	Nut	2	2	2
18	363452	Buffer	2	2	2
19	1678212	Plate	1	1	1
20	1657116	Spacer	10	10	10
21	296247	Capscrew (M10 x 1.5 x 70)	2	2	2

FOOTNOTES:

a Model: 1.6-1.8XN

b Model: 2.0XN

BATTERY RETENTION (FIGURE 1-39) (→ S/N A935B02293J)

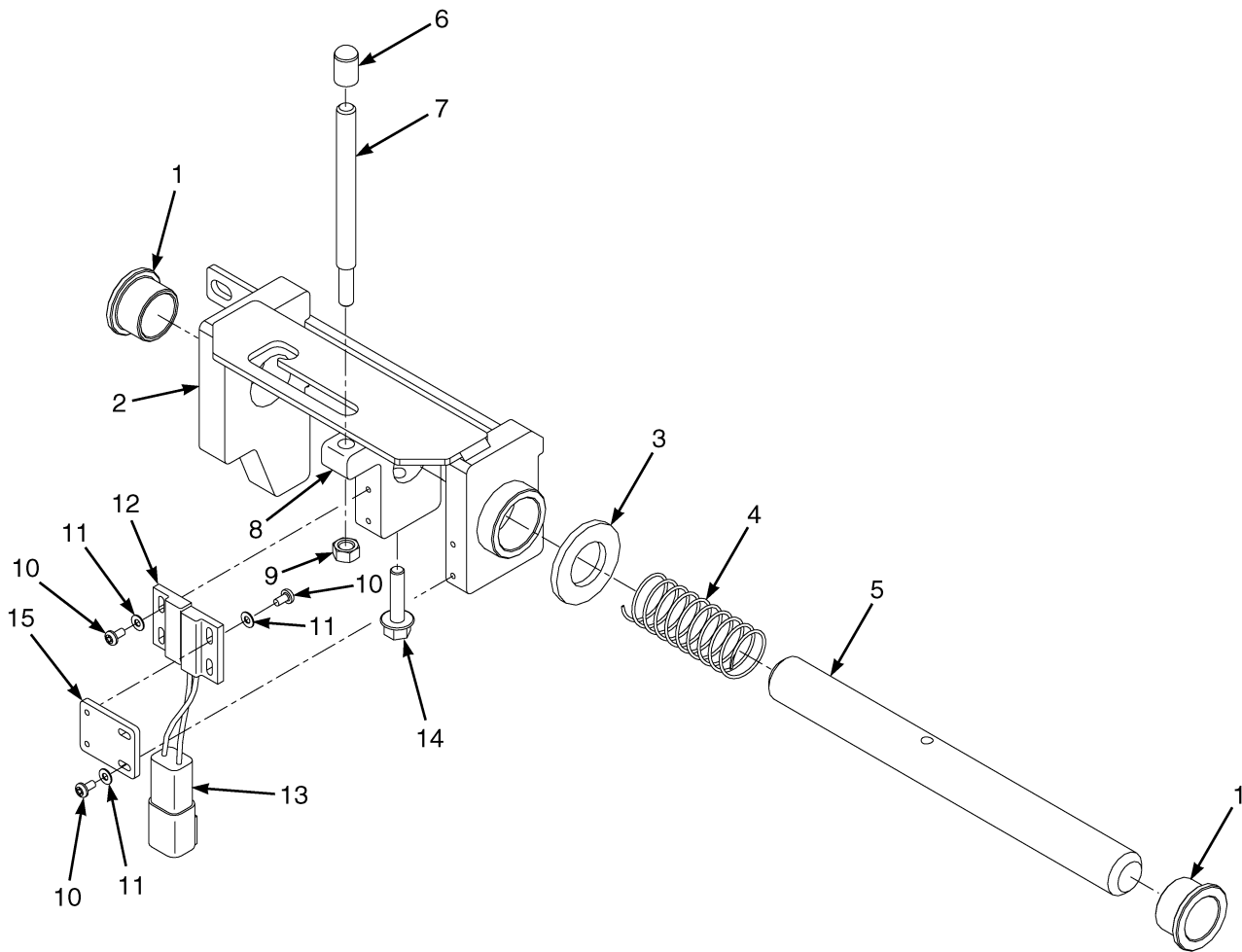


BP120563

BATTERY RETENTION
(→ S/N A935B02293J)

ITEM	PART NO.	DESCRIPTION	QTY
	2108778	Retainer (Assembly)	1
1	1565545	Magnet	1
2	2108779	Bracket	1
3	2108664	Spring	1
4	2108780	Pin	1
5	1627835	Switch Assembly	1
6	320152	Washer	4
7	302007	Screw	4
8	320158	Washer	1
9	1493770	Bolt	1
10	1382472		
	1502543	Nut (Flange)	1

BATTERY RETENTION (FIGURE 1-40) (S/N A935B02294J →)



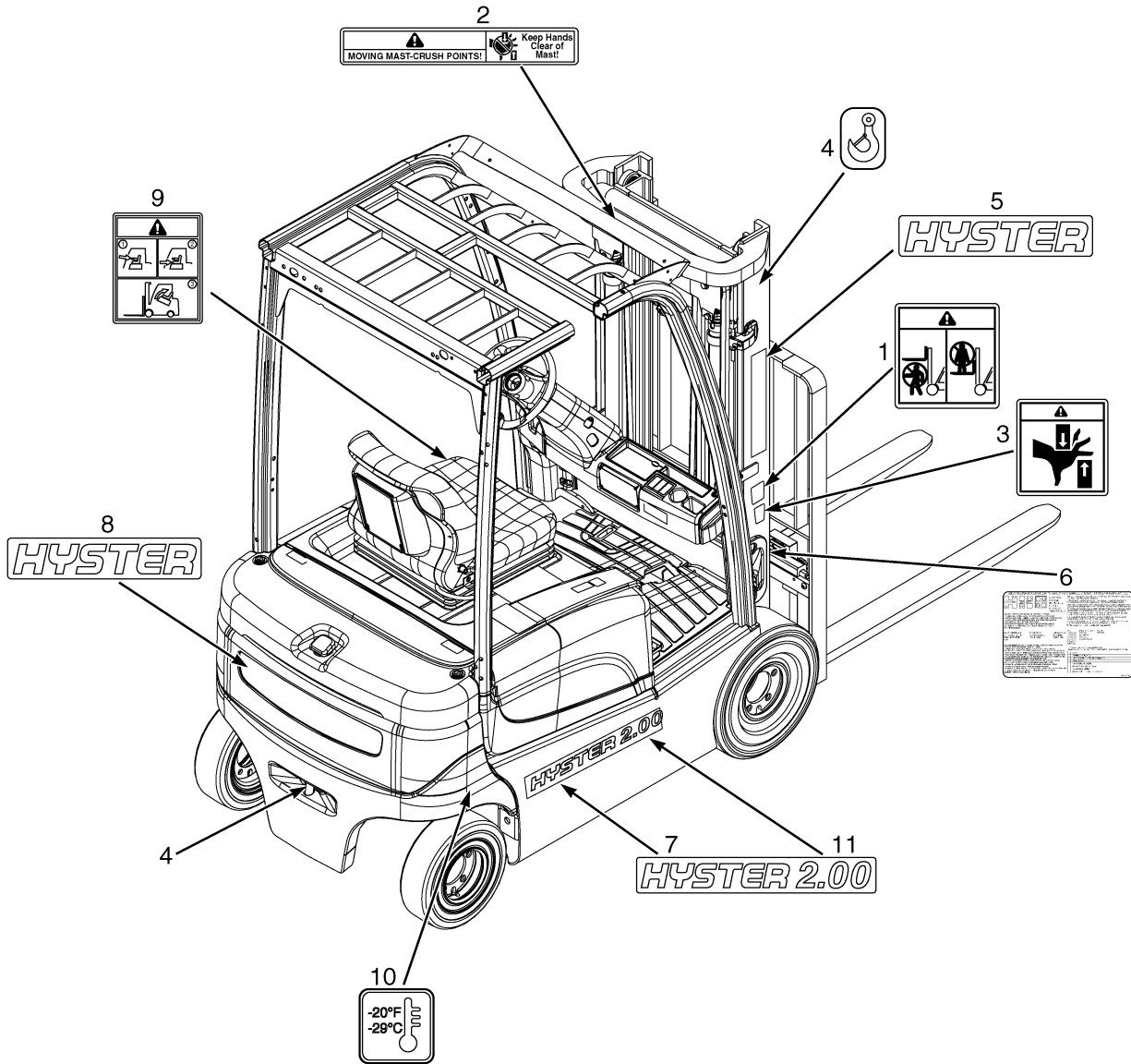
BP120764

BATTERY RETENTION
(S/N A935B02294J →)

ITEM	PART NO.	DESCRIPTION	QTY
	4026010	Retainer	1
1	4026058	Bushing	2
2	4026011	Bracket	1
3	221777	Washer	1
4	2108664	Spring	1
5	4026023	Pin	1
6	1540805	Cap	1
7	4026776	Lever	1
8	4026018	Block	1
9	a 136687	Nut	1
9	b 1307884		
	1514429	Nut	1
10	302007	Screw	6
11	320152	Washer	6
12	1565545	Magnet	1
13	1627835	Switch Assembly	1
13	1627834	Switch	1
13	1330414	Connector (Secondary Lock)	1
13	1330437	Terminal (Pin)	2
13	1493465	Connector (2 Pin)	1
14	a 1527878	Capscrew	1
14	b 1531479	Capscrew	1

FOOTNOTES:**a** → PENDING PER ECN 94664-04**b** PENDING PER ECN 94664-04 →

LABELS (FIGURE 1-41) EXTERIOR

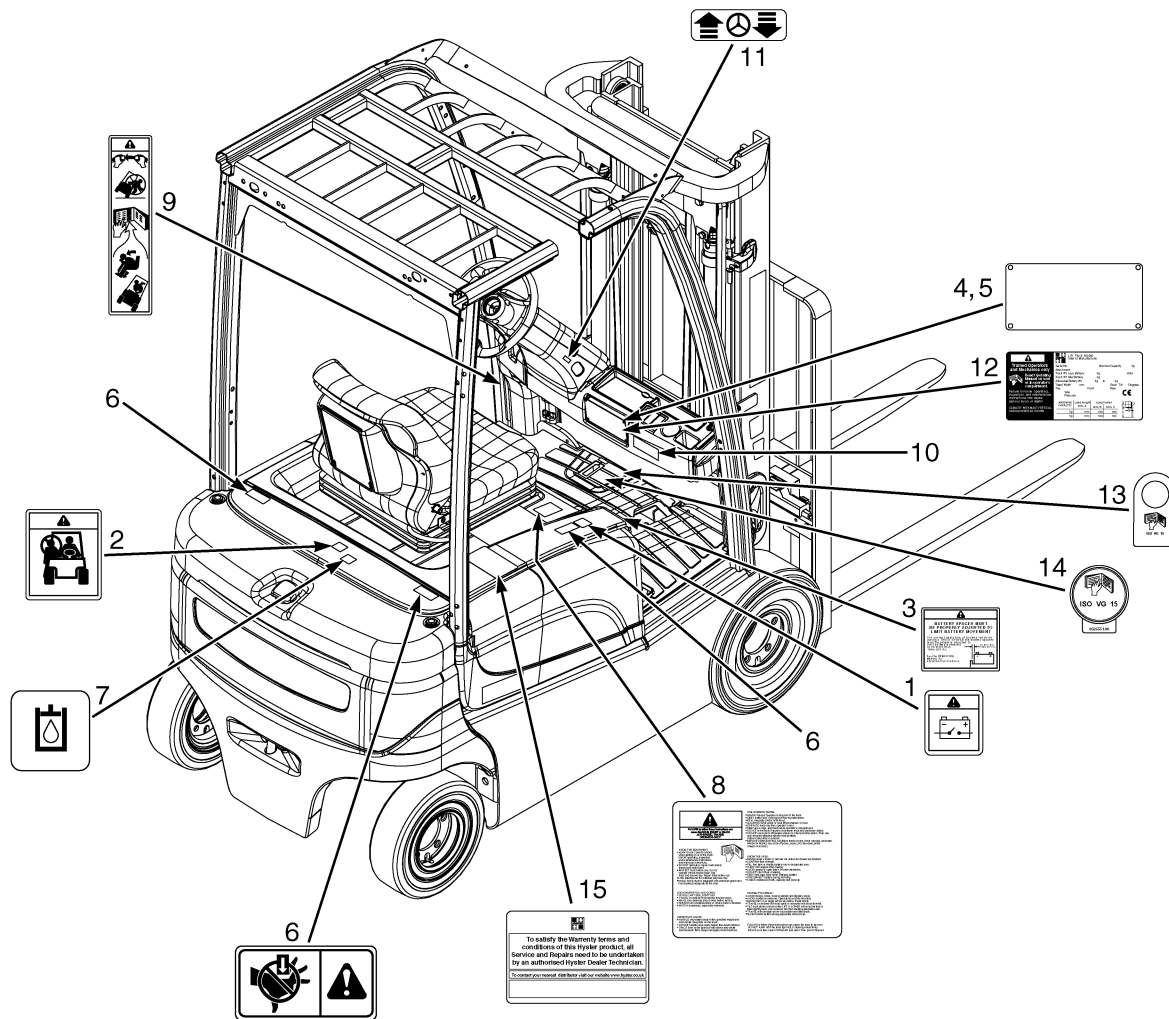


HP121171

**LABELS
EXTERIOR**

ITEM	PART NO.	DESCRIPTION	QTY
1	1339830	Label (Mast Warning)	2
2	1343276	Label (Mast Warning)	1
3	1339832	Label (Pinch Point)	2
4	2109111	Label (Eye Hook)	5
5	1675906	Label (Hyster Logo)	2
6	1534660	Label (Patents and Trademarks)	1
7	1675906	Label (Hyster Logo)	2
8	1673415	Label (Counterweight)	1
9	2083690	Warning Label (Electro-Hydraulic)	1
9	4622417	Label (Electronic Hydraulics Caution w/ Rapid Charge)	1
9	4622419	Label (Manual Hydraulics Caution w/ Rapid Charge)	1
10	2099551	Label (Cold Storage)	1
10	2099551	Label (Cold Storage)	1
11	1598328	Label (Model 1.5)	2
11	1598331	Label (Model 1.6)	2
11	1598330	Label (Model 1.8)	2
11	1598305	Label (Model 2.0)	2

LABELS (FIGURE 1-42) INTERIOR

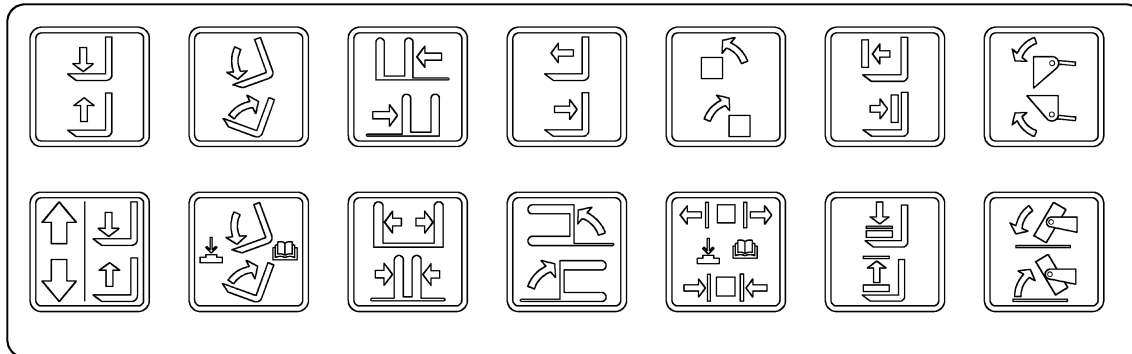
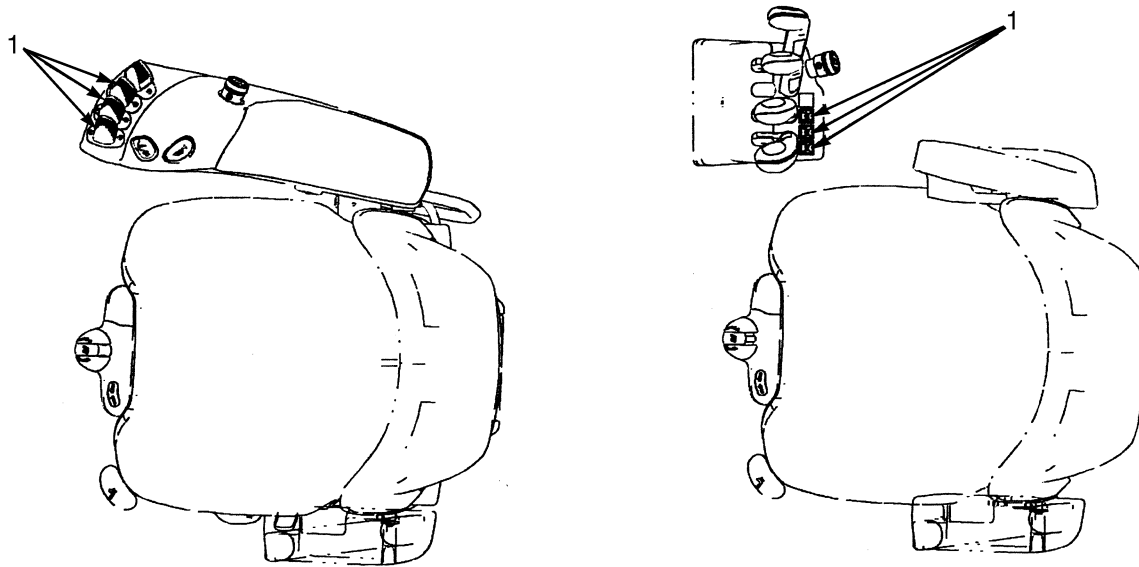


HP121174

**LABELS
INTERIOR**

ITEM	PART NO.	DESCRIPTION	QTY
1	2049939	Label (Battery Disconnect)	1
2	1339828	Label (No Riders)	1
3	1342699	Label (Battery Spacer)	1
4	389688	Nameplate	1
5	170658	Rivet	6
6	2304044	Label (Pinch Point)	3
7	1385099	Label (Hydraulic Oil Fill)	1
8	2106627	Label (Operator Warning)	1
9	2109234	Label (Operator Restraint)	2
10	1335138	Label (Nameplate Tag) (Nameplate Tag)	1
11	2303178	Label (Tilt Column)	1
12	1471618	Nameplate (Nameplate)	1
14	2068407	Label (Brake System Fluid)	1
15	1606674	Label (Warranty)	1

LABELS (FIGURE 1-43) HYDRAULIC CONTROL FUNCTIONS

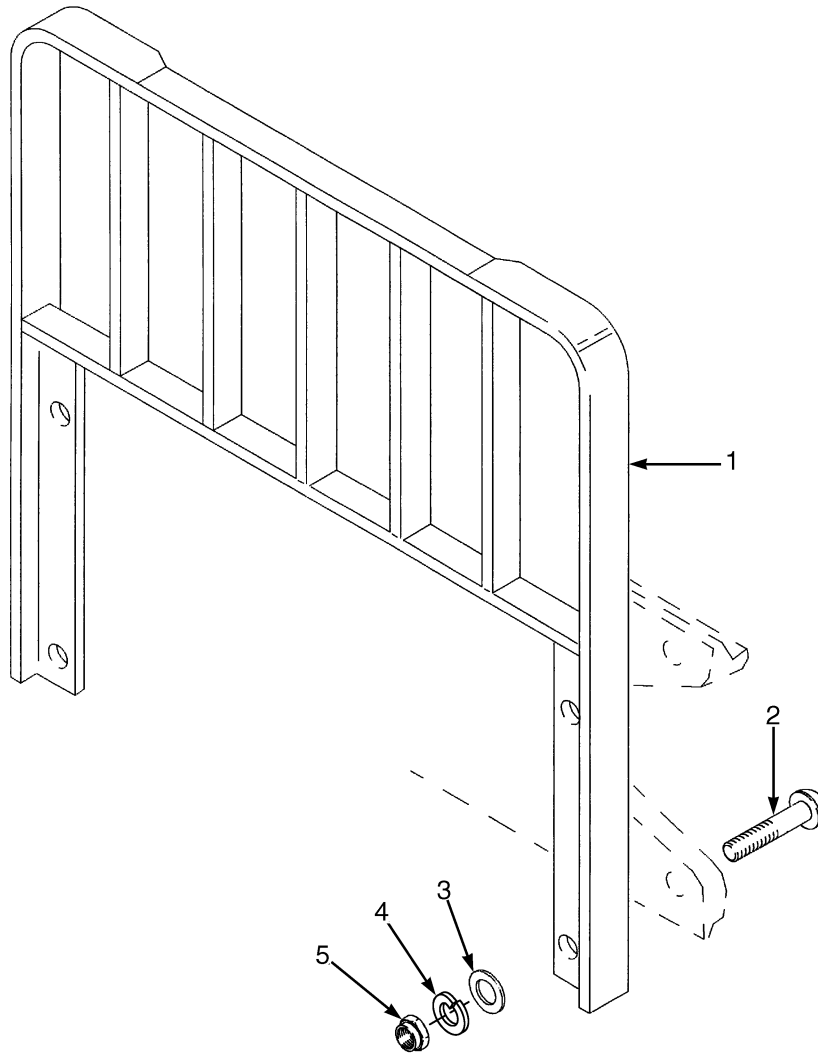


BP120427

LABELS
HYDRAULIC CONTROL FUNCTIONS

ITEM	PART NO.	DESCRIPTION	QTY
1	2102640	Label	1

LOAD BACKREST EXTENSION (FIGURE 1-44)

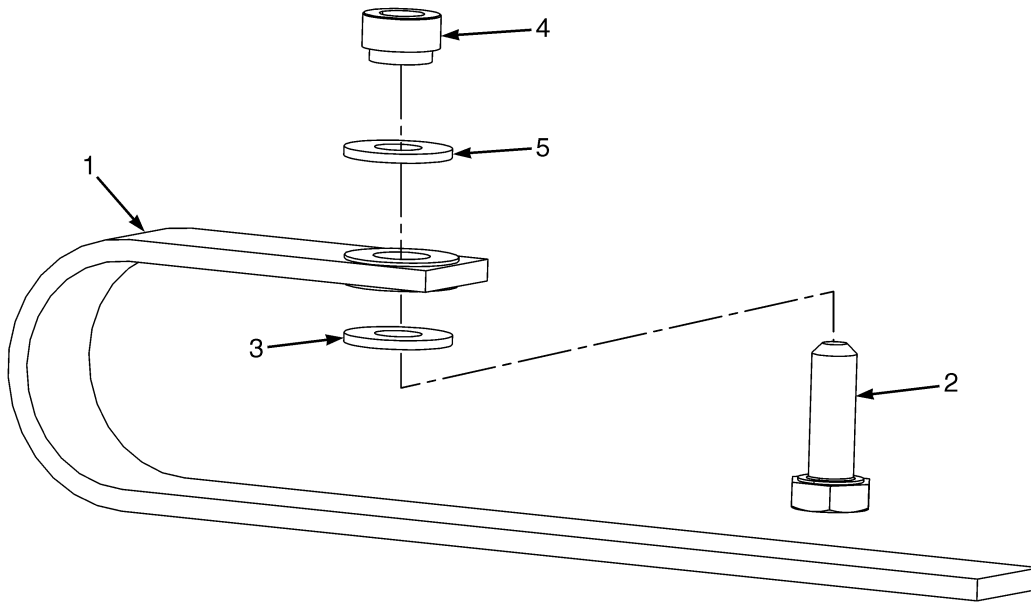


BP120450

LOAD BACKREST EXTENSION**KEY:****A: Standard****B: Integral Side Shift**

ITEM	PART NO.	DESCRIPTION	QTY	
			A	B
1	1663441	Load Backrest (Class II) (977 mm)	1	1
1	1663435	Load Backrest (907 mm)	1	1
2	1353533	Capscrew	4	..
2	2034347	Capscrew	4
3	221771	Washer	4	4
4	296423	Washer	4	4
5	300937	Nut	4	4

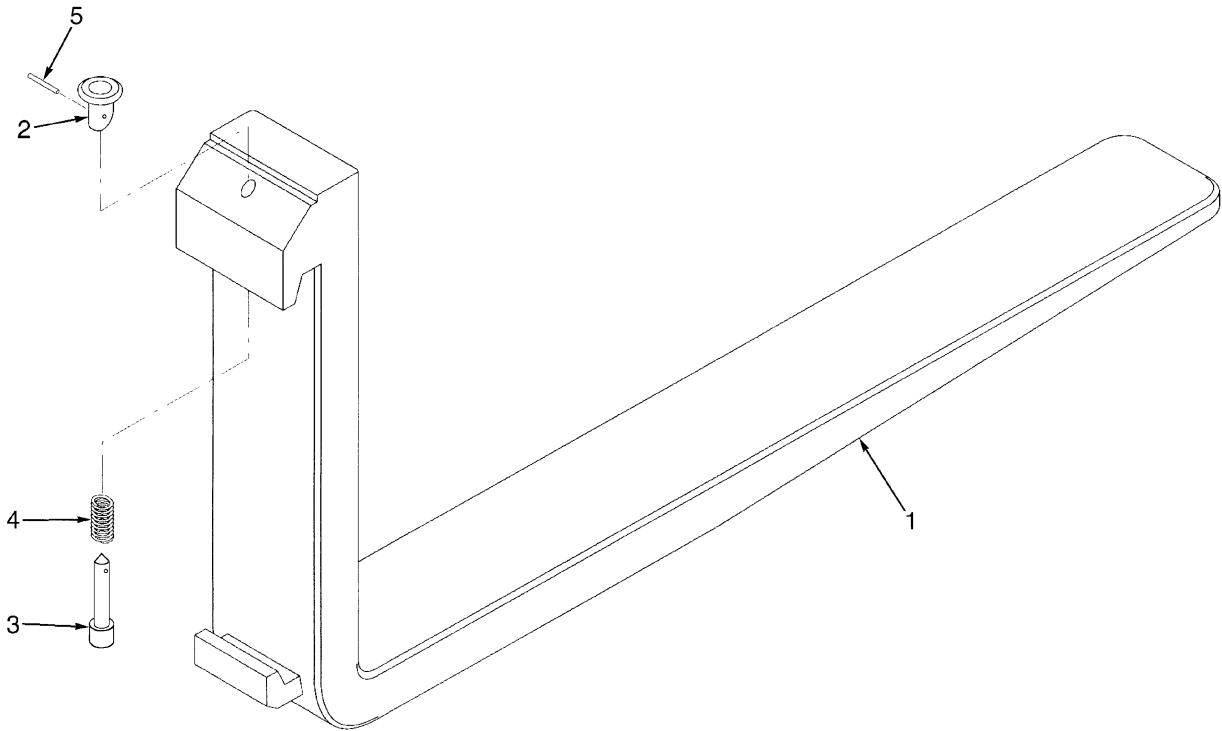
STATIC STRAP (FIGURE 1-45)



BP120462

ITEM	PART NO.	DESCRIPTION	QTY
1	216895	Static Strap	1
2	287860	Capscrew	1
3	320160	Washer	1
4	1581567	Nut	1
5	296381	Washer	1

FORKS (FIGURE 1-46)



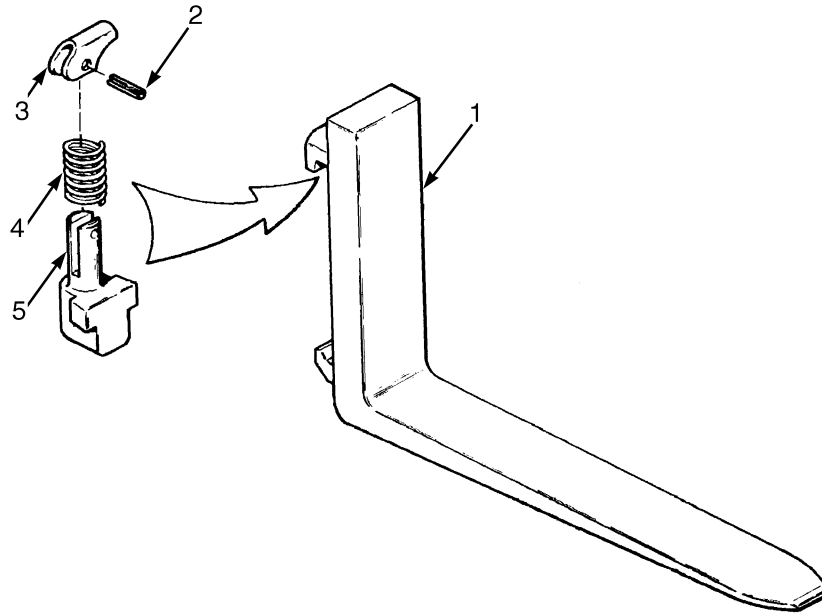
BP290040

KEY:

- A: 80 mm x 40 mm**
- B: 100 mm x 40 mm**
- C: 100 mm x 35 mm**

ITEM	PART NO.	DESCRIPTION	QTY		
			A	B	C
1	1327021	Fork (1000 mm)	2
1	1333043	Fork (1000 mm)	2	..
1	2785646	Fork (1000 mm)	2
1	1327022	Fork (1100 mm)	2
1	1333044	Fork (1100 mm)	2	..
1	2050926	Fork (1100 mm)	2
1	1327023	Fork (1200 mm)	2
1	1333045	Fork (1200 mm)	2	..
1	2781616	Fork (1200 mm)	2
2	1523732	Knob	1	1	1
3	1523733	Pin	1	1	1
4	1500782	Spring	1	1	1
5	1523734	Pin	1	1	1
	1523735	Kit-Latch	1	1	1

FORKS (FIGURE 1-47) OPTIONAL



HP120793

KEY:

A: 80 x 40 mm

B: 100 x 40 mm

ITEM	PART NO.	DESCRIPTION	QTY	
			A	B
1	1378776	Fork (1000 mm)	2	..
1	1378777	Fork (1100 mm)	2	..
1	1378779	Fork (1200 mm)	2	..
1	1378793	Fork (1000 mm)	2
1	1378794	Fork (1100 mm)	2
1	1378796	Fork (1200 mm)	2
2	302450	Roll Pin	1	1
3	1378763	Latch	1	1
4	1378762	Spring	1	1
5	1378760	Pin	1	1
	1378765	Kit-Latch (Class II)	1	1

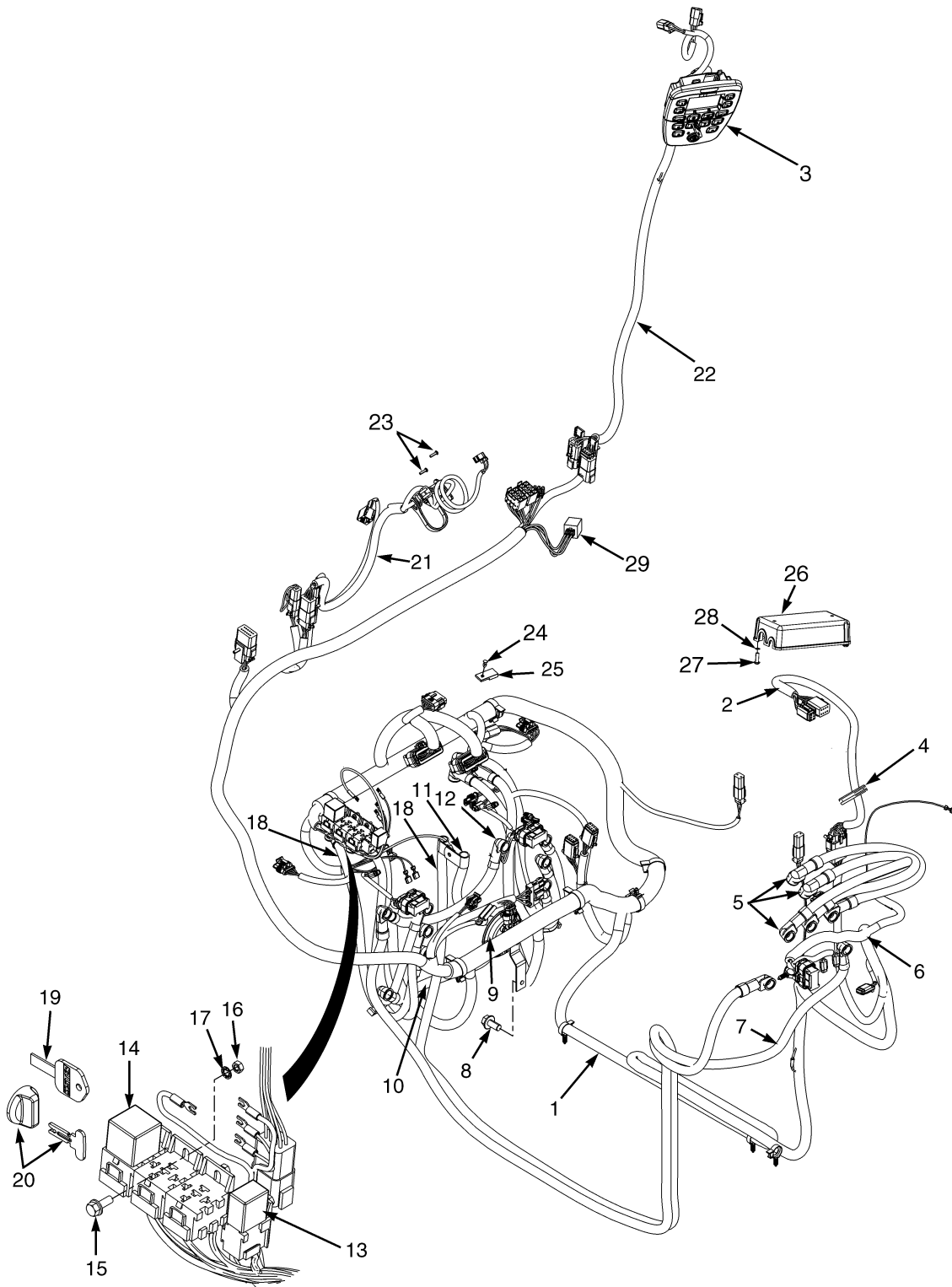
2

ELECTRICAL SYSTEM

**SECTION 2
ELECTRICAL SYSTEM**

DESCRIPTION	PAGE
BATTERY CONNECTOR	2-16
BATTERY CONNECTOR AND CABLE ASSEMBLY WITH RAPID CHARGE OPTION	2-18
CONTACTOR	2-24
CONTROLLER	
HOIST AND FAN ASSEMBLY	2-12
TRACTION AND FAN ASSEMBLY	2-14
CONTROLLERS	2-8
DISPLAY	2-20
ELECTRICAL ARRANGEMENT	
→ S/N A935B01907H → S/N A935B01914H	2-2
S/N A935B01908H → S/N A935B01915H →	2-6
FUSE PANEL ASSEMBLY	2-22
MINI-LEVER CONTROLS	
3 FUNCTION	2-82
4 FUNCTION	2-84
TILT SENSOR GROUP	2-26
WIRE HARNESS	
CAB ACCESSORY	2-76
CAB ACCESSORY - ALTERNATE PART	2-80
DC CONVERTER (→ PENDING PER ECN 13416125)	2-70
DC CONVERTER (PENDING PER ECN 13416125 →)	2-72
DC/DC CONVERTER - ALTERNATE PART	2-74
DISPLAY, PREMIUM - FREEZER OPTION	2-28
DISPLAY, STANDARD	2-27
HEATER	2-62
HYDRAULIC FLUID LEVEL AND PRESSURE	2-77
LIGHTS WITH OVERHEAD GUARD	2-78
MAIN-ELECTRO-HYDRAULIC - PAGE 1 OF 2 (→ S/N A935B01907H)	2-30
MAIN-ELECTRO-HYDRAULIC - PAGE 1 OF 2 (S/N A935B01908H →)	2-34
MAIN-ELECTRO-HYDRAULIC - PAGE 2 OF 2 (→ S/N A935B01907H)	2-38
MAIN-ELECTRO-HYDRAULIC - PAGE 2 OF 2 (S/N A935B01908H →)	2-42
MAIN-MANUAL-HYDRAULIC - PAGE 1 OF 2 (→ S/N A935B01914H)	2-46
MAIN-MANUAL-HYDRAULIC - PAGE 1 OF 2 (S/N A935B01915H →)	2-50
MAIN-MANUAL-HYDRAULIC - PAGE 2 OF 2 (→ S/N A935B01914H)	2-54
MAIN-MANUAL-HYDRAULIC - PAGE 2 OF 2 (S/N A935B01915H →)	2-58
MANUAL HYDRAULICS	2-67
MANUAL INTERLOCK	2-66
REAR WIPER	2-75
STEER COLUMN	2-69
SYNCHRONOUS STEERING	2-68
TURN SIGNAL	2-64

ELECTRICAL ARRANGEMENT (FIGURE 2-1) (→ S/N A935B01907H) (→ S/N A935B01914H)



BP080703

ELECTRICAL ARRANGEMENT
(→ S/N A935B01907H) (→ S/N A935B01914H)

ITEM	PART NO.	DESCRIPTION	QTY
1	a 2111690	Wire Harness (Main) (E Hydraulics) (☞Figure 2-14, ☞Figure 2-16).....	1
1	b 2111691	Wire Harness (Main) (Manual) (☞Figure 2-18, ☞Figure 2-20).....	1
2	b 1673605	Wire Harness (Seat Jumper) (Seat Jumper) (☞Figure 2-14, ☞Figure 2-16)....	1
2	a 1673607	Wire Harness (Seat Jumper) (Mini-lever Module Jumper) (☞Figure 2-18, ☞Figure 2-20).....	1
3	2094578	Display (Standard) (☞Figure 2-8).....	1
3	2094579	Display (Freezer) (☞Figure 2-8).....	1
4	1695661	Grommet	1
5	2105999	Power Cable (Hoist Controller)	3
5	230132	E-Ring	1
5	203694	E-Ring	1
5	4007955	Boot	2
6	2108816	Power Cable (546 mm Battery Compartment)	1
6	194368	E-Ring	1
6	4007955	Boot	1
6	1548177	E-Ring	1
6	2108820	Power Cable (750 mm Battery Compartment)	1
6	4007955	Boot	1
6	194368	E-Ring	1
6	1548177	E-Ring	1
6	2108818	Power Cable (642 mm Battery Compartment)	1
6	194368	E-Ring	1
6	4007955	Boot	1
6	1548177	E-Ring	1
7	2108815	Power Cable (546 mm Battery Compartment)	1
7	194368	E-Ring	2
7	4007955	Boot	2
7	2108817	Power Cable (642 mm Battery Compartment)	1
7	194368	E-Ring	2
7	4007955	Boot	2
7	2108819	Power Cable (750 mm Battery Compartment)	1
7	194368	E-Ring	2
7	4007955	Boot	2
8	1527880	Capscrew	1
9	2105928	Horn	1
10	2101851	Power Cable Assembly (Traction Motor)	1
10	4007955	Boot	2
10	2310341	Terminal	2
11	2101852	Power Cable Assembly (Traction Motor)	1
11	1547837	E-Ring	1
11	204223	Boot	1
11	307975	Fitting	1
12	2101850	Power Cable Assembly (Traction Motor)	1
12	4007955	Boot	1
12	2310341	Terminal	2
13	4603514	Relay (Micro)	1
14	a 2100367	Relay (Mini) (Mini) (LED Brake/Back-up)	1
15	302020	Screw	4
16	292667	Nut	4
17	320155	Washer	4

ELECTRICAL ARRANGEMENT
(→ S/N A935B01907H) (→ S/N A935B01914H)

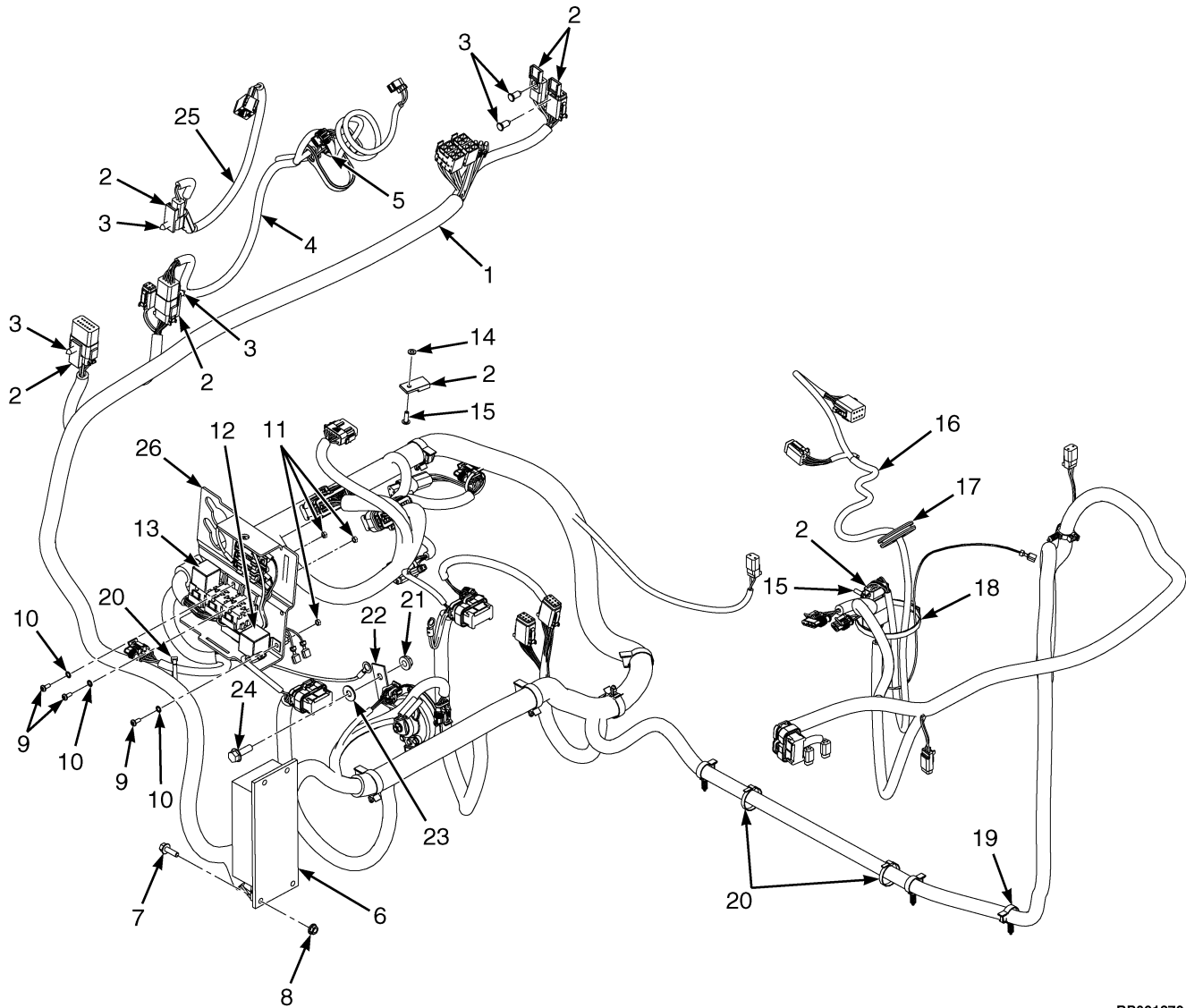
ITEM	PART NO.	DESCRIPTION	QTY
18	2101887	Power Cable Assembly (Traction Motor)	6
18	2102004	Power Cable (U)	1
18	204223	Boot	2
18	2310341	Terminal	2
18	2102005	Power Cable (V)	1
18	204223	Boot	2
18	2310341	Terminal	2
18	2102006	Power Cable (W)	1
18	204223	Boot	2
18	2310341	Terminal	2
18	137852	Strap Clamp	6
19	1337197	Key Set	1
20	1687435	Knob (Keyless Start)	1
21	2107656	Wire Harness (Steer Column) (☞ Figure 2-27).....	1
21	2105365	Wire Harness (Synchronous Steering) (☞ Figure 2-26).....	1
22	2100218	Wire Harness (Display) (Standard) (☞ Figure 2-12).....	1
22	2096576	Wire Harness (Display) (Premium, Freezer Option) (☞ Figure 2-13).....	1
23	1554902	Screw	2
24	1582464	Fastener	4
25	1500912	Clip	5
26	2107969	Cover (Seat Side Electrical)	1
27	1694830	Capscrew	2
28	296354	Washer	2
29	1694442	Flasher	1

FOOTNOTES:

a E-Hydraulics Only

b Manual Hydraulic Only

ELECTRICAL ARRANGEMENT (FIGURE 2-2) (S/N A935B01908H →) (S/N A935B01915H →)



BP081278

ELECTRICAL ARRANGEMENT
(S/N A935B01908H →) (S/N A935B01915H →)

KEY:

A: w/ Manual-Hydraulic Option

B: w/ Electro-Hydraulic Option

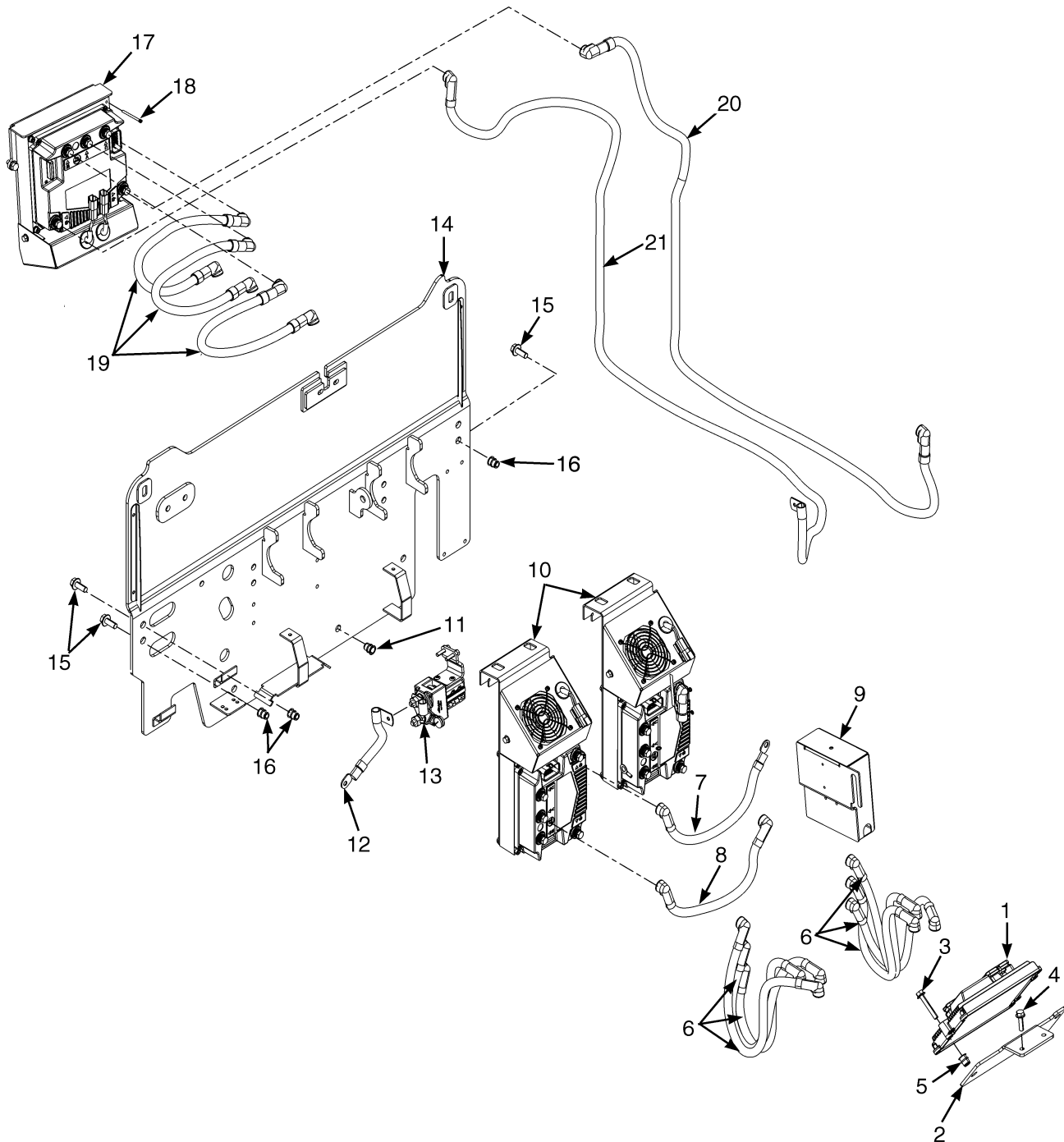
ITEM	PART NO.	DESCRIPTION	QTY	
			A	B
1	2111691	Wire Harness (Main) (☞Figure 2-19, ☞Figure 2-21).....	1	..
1	2111690	Wire Harness (Main) (☞Figure 2-15, ☞Figure 2-17).....	..	1
2	1500912	Clip	6	7
3	1582464	Fastener	5	2
4	2107656	Wire Harness (Steer Column) (☞Figure 2-27).....	1	1
5	1554902	Screw	2	2
6	2066643	Dc-Dc Converter (36V/48V to 12V)	1	1
7	1527877	Capscrew	2	2
8	1307884 1514429	Nut	2	2
9	302020	Screw	3	3
10	296357	Washer	3	3
11	292667	Nut	3	3
12	4603514	Relay	1	1
13	2100367	Relay (Mini)	1	..
14	320155	Washer	1	..
15	222029	Rivet	1	2
16	1673605	Wire Harness (Seat Jumper) (☞Figure 2-19, ☞Figure 2-21).....	1	..
16	1673607	Wire Harness (Seat Jumper) (☞Figure 2-15, ☞Figure 2-17).....	..	1
17	1695661	Grommet	1	1
18	129563	Strap Clamp	1	1
19	1509890	Clip	1	1
20	137852	Strap Clamp	6	6
21	1586430	Nut	1	1
22	2105928	Horn (24/48V)	1	1
23	320158	Washer	1	1
24	1510113	Capscrew	1	1
25	a 2105365	Wire Harness (Synchronous Steering) (☞Figure 2-26).....	1	1
26	Fuse Panel Assembly (☞Figure 2-9).....	1	1
	b 4618988	Wire Harness (Jumper) (w/ Manual Hydraulic Option)	1	..

FOOTNOTES:

a For use only with synchronous steering option

b Not Illustrated

CONTROLLERS (FIGURE 2-3)



BP080704

CONTROLLERS

ITEM	PART NO.	DESCRIPTION	QTY
1	a 2091228	Master Controller (Standard-w/o Electro-Hydraulics)	1
1	a 2091150	Master Controller (Premium-w/ Electro-Hydraulics)	1
2	1682693	Bracket	1
3	1510115	Capscrew	3
4	1510113	Capscrew	2
5	1530243	Insert	2
6	2101887	Power Cable Assembly (Traction Controller/Traction Motor)	6
6	2102004	Power Cable (U)	1
6	204223	Boot	2
6	2310341	Terminal	2
6	2102005	Power Cable (V)	1
6	204223	Boot	2
6	2310341	Terminal	2
6	2102006	Power Cable (W)	1
6	204223	Boot	2
6	2310341	Terminal	2
6	137852	Strap Clamp	1
7	2101850	Power Cable Assembly (Traction Controller/Traction Motor)	1
7	4007955	Boot	1
7	2310341	Terminal	2
8	2101851	Power Cable Assembly (Traction Controller/Traction Motor)	1
8	4007955	Boot	2
8	2310341	Terminal	2
9	4016344	Fuse Panel (☞Figure 2-9).....	1
10	Controller Assembly (Traction) (☞Figure 2-5).....	2
11	1530243	Insert	1
12	2101852	Power Cable Assembly (Traction Motor)	1
12	1547837	E-Ring	1
12	204223	Boot	1
12	307975	Fitting	1
13	1705384	Contactor Assembly (☞Figure 2-10).....	1
14	b 1706841	Mounting Plate	1
14	c 4028470	Mounting Plate	1
15	1510117	Capscrew	4
16	1530244	Insert	4
17	Controller Assembly (Hoist) (☞Figure 2-4).....	1
18	1527879	Capscrew	1
19	2105999	Power Cable (Hoist Controller/Pump)	1
19	4007955	Boot	2
19	230132	E-Ring	1
19	203694	E-Ring	1
20	2108815	Power Cable (546mm Battery Compartment)	1
20	194368	E-Ring	2
20	4007955	Boot	2
20	2108817	Power Cable (642mm Battery Compartment)	1
20	2108819	Power Cable (750mm Battery Compartment)	1
20	194368	E-Ring	2
20	4007955	Boot	2
21	2108816	Power Cable (546mm Battery Compartment)	1
21	2108818	Power Cable (642mm Battery Compartment)	1
21	194368	E-Ring	1

CONTROLLERS

ITEM	PART NO.	DESCRIPTION	QTY
21	4007955	Boot	1
21	1548177	E-Ring	1
21	2108820	Power Cable (750mm Battery Compartment)	1
21	194368	E-Ring	1
21	4007955	Boot	1
21	1548177	E-Ring	1

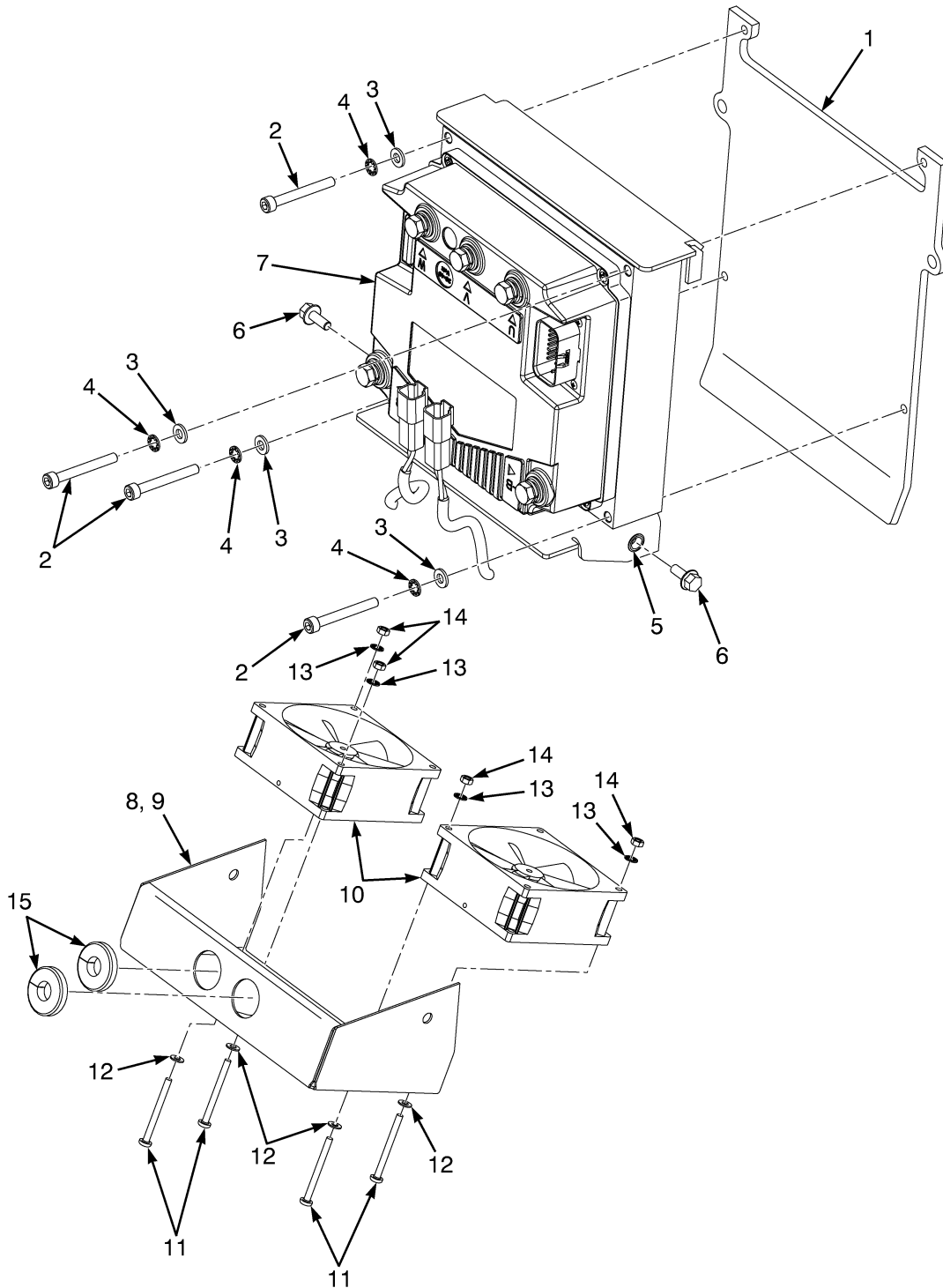
FOOTNOTES:

a Vehicle System Manager

c S/N A935B02603J →

b → S/N A935B02602J

CONTROLLER (FIGURE 2-4) HOIST AND FAN ASSEMBLY

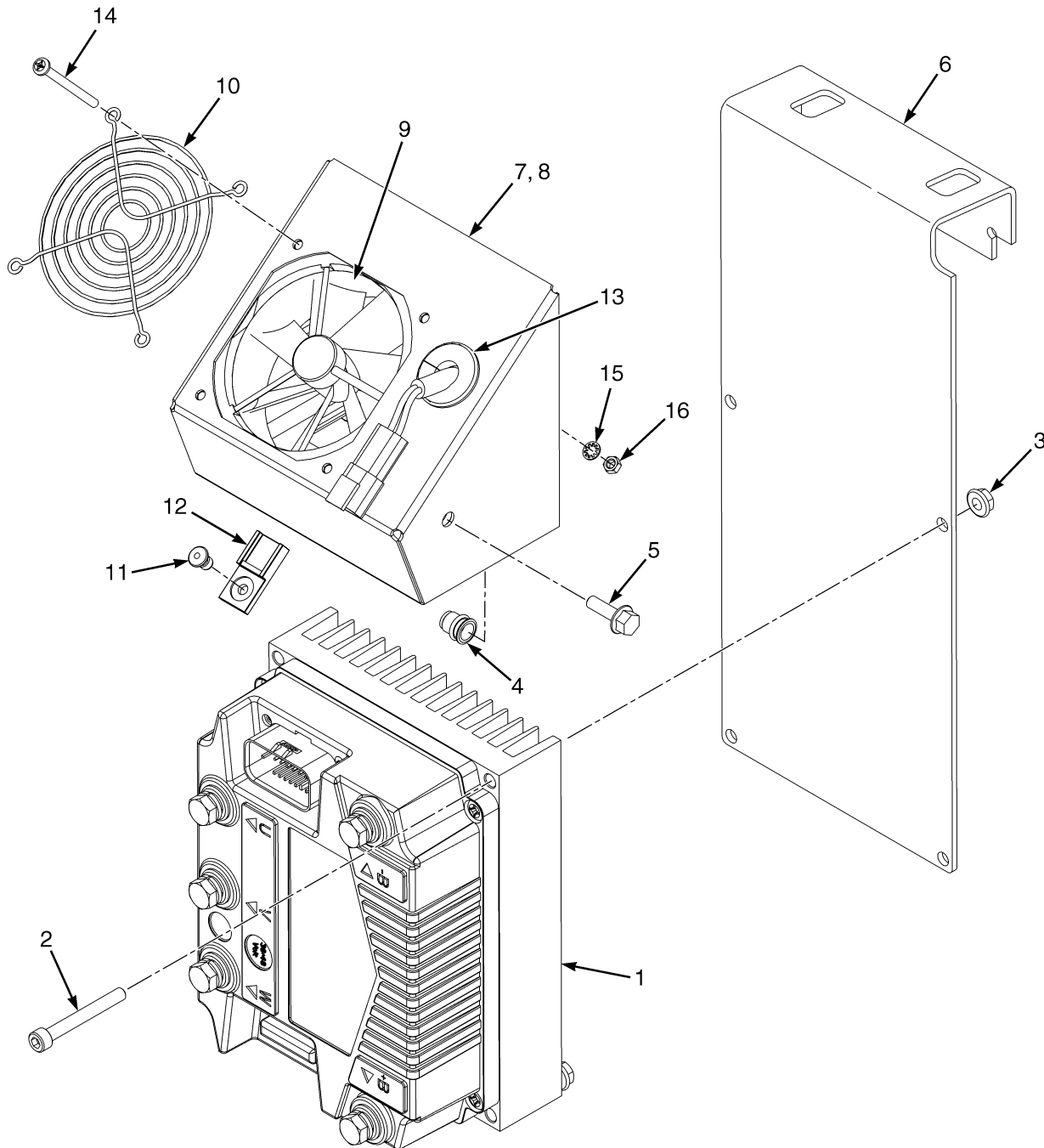


BP080837

**CONTROLLER
HOIST AND FAN ASSEMBLY**

ITEM	PART NO.	DESCRIPTION	QTY
	Controller Assembly	1
1	1682972	Plate Wldmt	1
2	296001	Capscrew	4
3	320156	Washer	4
4	296359	Washer	4
5	1531558	Insert	2
6	1527876	Capscrew	2
7	2094435	Controller	1
8	Fan Assembly	1
9	1682973	Air Duct	1
10	1694646	Fan	2
11	302029	Metric Screw	4
12	320154	Washer	4
13	296357	Washer	4
14	292667	Nut	4
15	1373685	Grommet	1

CONTROLLER (FIGURE 2-5) TRACTION AND FAN ASSEMBLY

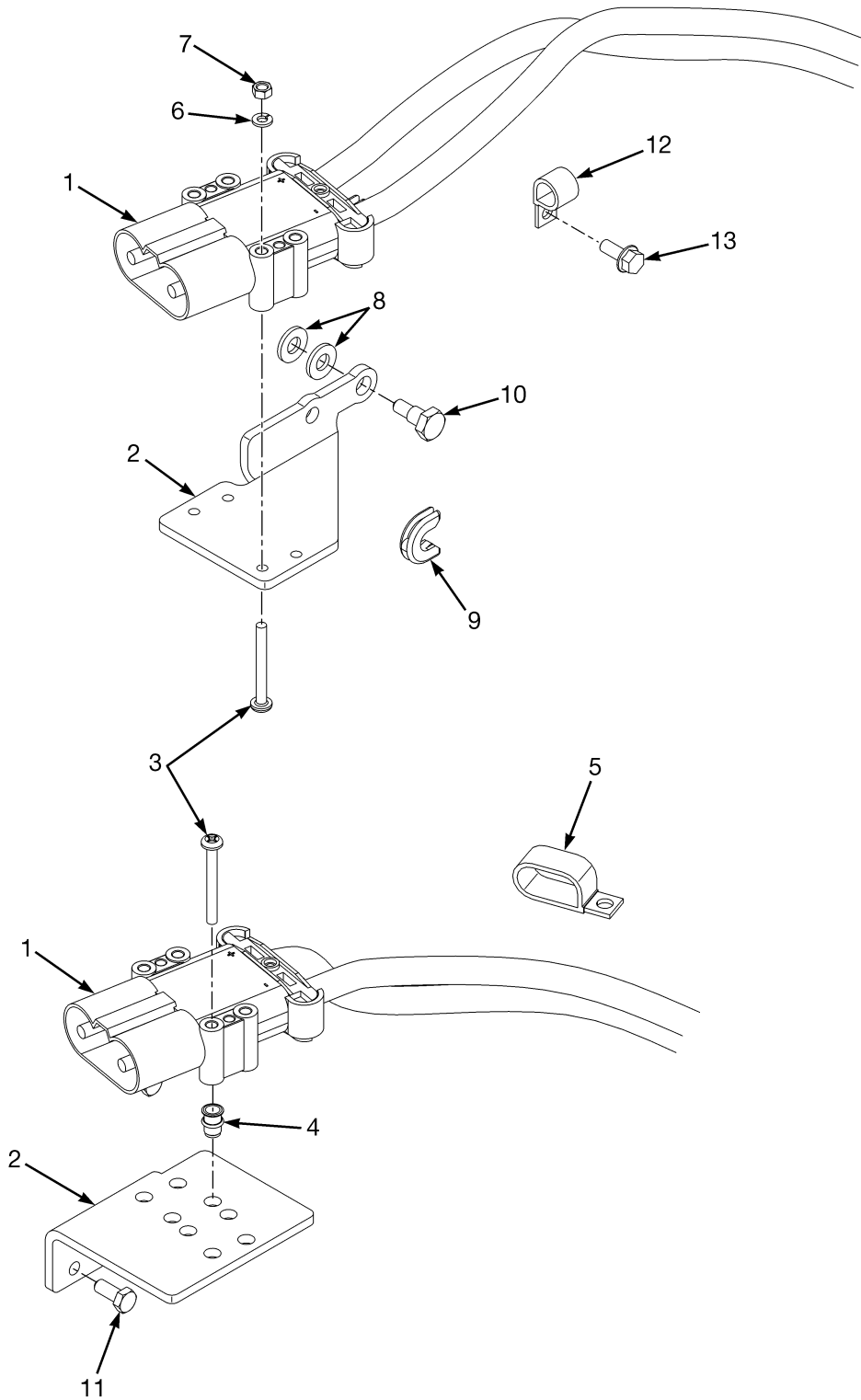


BP080706

**CONTROLLER
TRACTION AND FAN ASSEMBLY**

ITEM	PART NO.	DESCRIPTION	QTY
	Controller Assembly	1
1	2094434	Controller	1
2	296001	Capscrew	4
3	1307884 1514429	Nut	4
4	1531558	Insert	2
5	1527877	Capscrew	2
6	1682974	Plate Wldmt	1
7	Fan Assembly	1
8	1682975	Air Duct	1
9	1694646	Fan	1
10	1565693	Guard	1
11	1582464	Fastener	1
12	1500912	Clip	1
13	1373685	Grommet	1
14	302030	Screw	4
15	296357	Washer	4
16	292667	Nut	4

BATTERY CONNECTOR (FIGURE 2-6)



BP120045

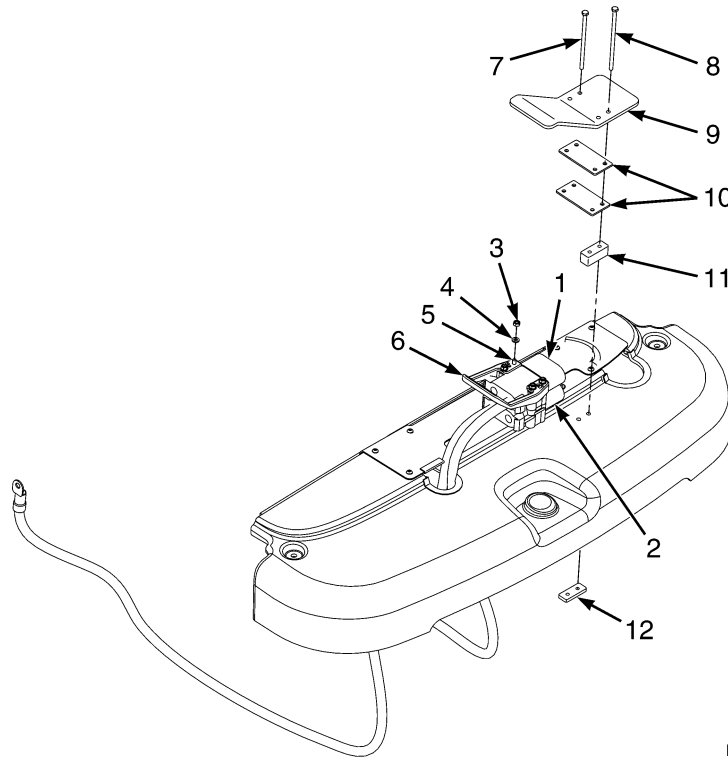
BATTERY CONNECTOR

KEY:

- A: 750mm Battery Compartment/Standard Removal**
- B: 750mm Battery Compartment/Side Removal**
- C: 642mm Battery Compartment/Standard Removal**
- D: 642mm Battery Compartment/Side Removal**

ITEM	PART NO.	DESCRIPTION	QTY			
			A	B	C	D
1	1672023	Battery Connector And Cable (48V DIN)	1	1
1	1694085	Battery Connector And Cable	1	1
1	1663633	Battery Connector	1	1	1	1
1	2311302	Terminal	1	1	1	1
1	2308995	Terminal	1	1	1	1
2	1682827	Bracket	1	..	1	..
2	1682826	Bracket	1	..	1
3	302055	Cross Recess Screw	4	4	4	4
4	1531001	Insert	4	..	4
5	129684	Clamp	1	1	1	1
6	292680	Washer	4	..	4	..
7	136687	Nut	4	..	4	..
8	1677718	Washer	2	..	2	..
9	1657222	Clip	1	..	1	..
10	1397653	Bolt	1	..	1	..
11	136681	Capscrew	2	..	2
12	166285	Clamp	1	1	1	1
13	1527880	Capscrew	1	1	1	1

BATTERY CONNECTOR AND CABLE ASSEMBLY (FIGURE 2-7) WITH RAPID CHARGE OPTION



BP081306

KEY:

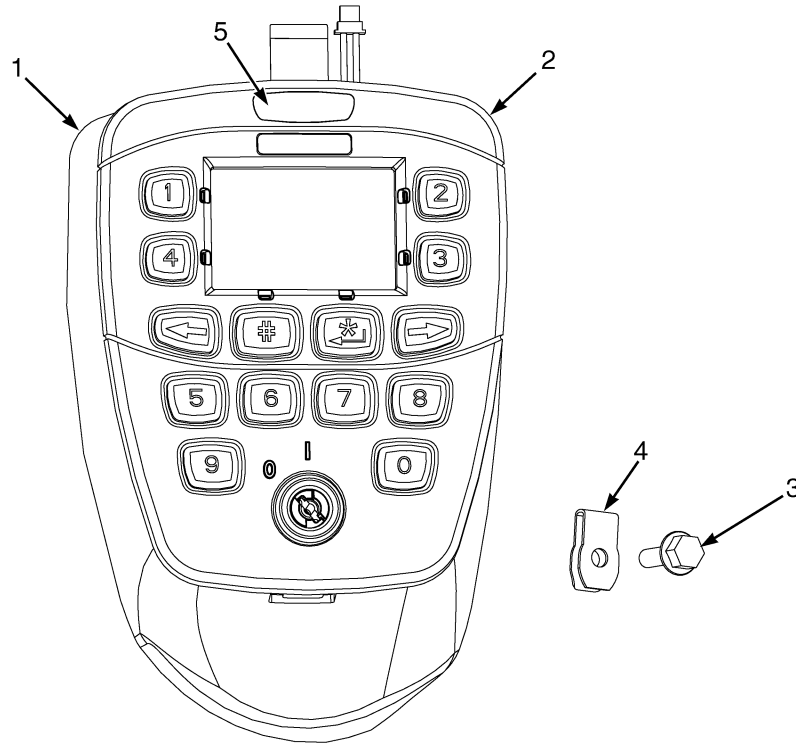
- A:** 642 mm Battery Compartment
- B:** 750 mm Battery Compartment

ITEM	PART NO.	DESCRIPTION	QTY	
			A	B
	4043974	Battery Connector And Cable (Assembly)	1	..
	4043975	Battery Connector And Cable (Assembly)	1
1	4043976	Battery Connector And Cable (Negative)	1	1
1	1697143	Plug	1	1
1	2308995	Terminal	1	1
1	2302912	Cable	AR	AR
1	280472	Sealant	AR	AR
2	4043978	Battery Connector And Cable (Positive)	1	..
2	4043979	Battery Connector And Cable (Positive)	1
2	1697143	Plug	1	1
2	2311302	Terminal	1	1
2	280472	Sealant	AR	AR
3	1512440			
	302399	Nut	4	4
4	320156	Washer	4	4
5	1607686	Metr Hex HD Cpscr HCE1000	4	4
6	1696232	Handle	1	1
6	1696231	Handle	1	1
7	1469997	Cap screw	2	2
8	4043278	Cap screw	2	2
9	4043274	Plate	1	1

KEY:**A: 642 mm Battery Compartment****B: 750 mm Battery Compartment**

ITEM	PART NO.	DESCRIPTION	QTY	
			A	B
10	1697128	Plate (Spacer)	2	2
11	4043269	Plate (Spacer)	1	1
12	4043273	Plate (Mounting)	1	1
	4045255	Kit	1	1

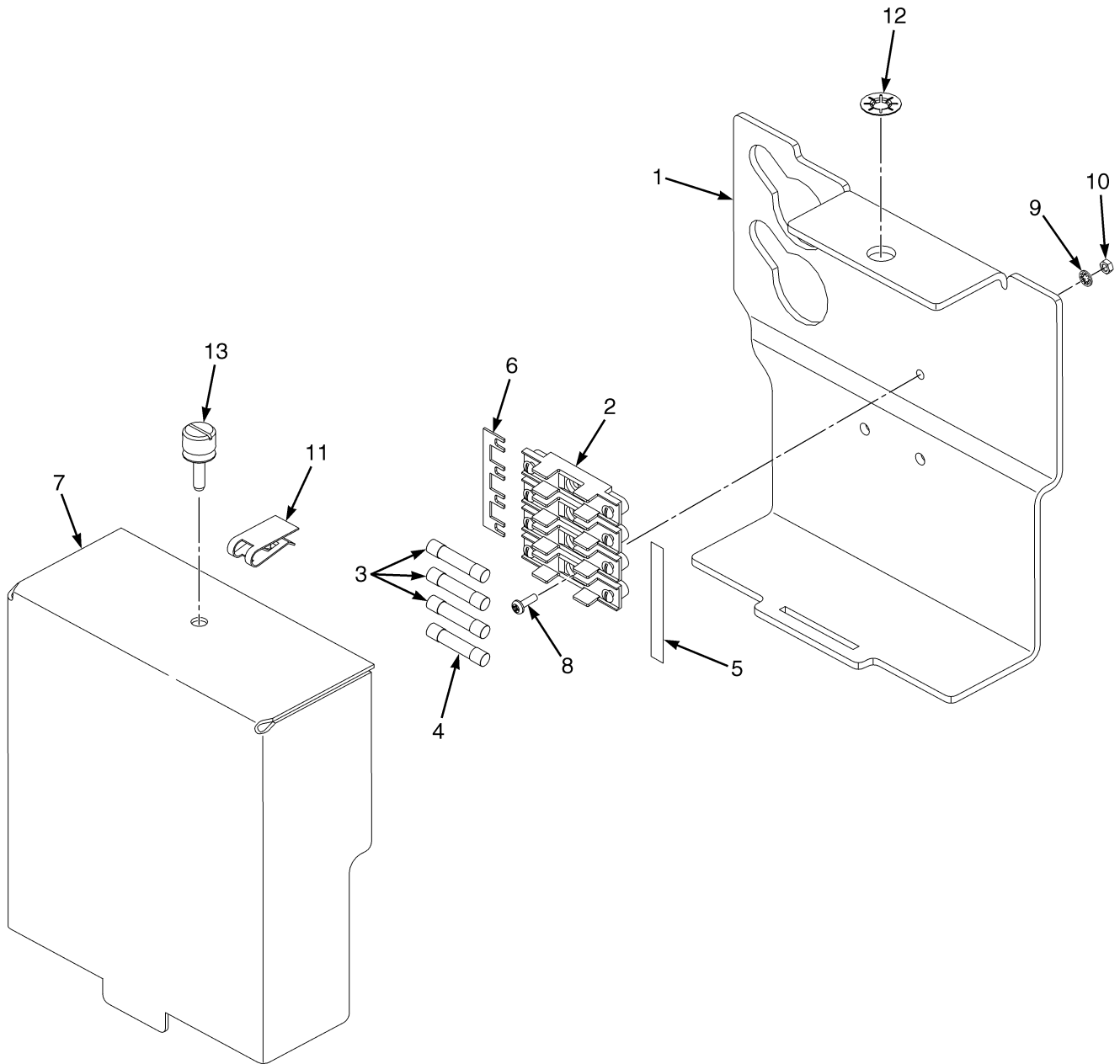
DISPLAY (FIGURE 2-8)



BP080712

ITEM	PART NO.	DESCRIPTION	QTY
1	2094578	Display Standard	1
1	2094579	Display Freezer	1
1	1677333	Ignition Switch	1
2	2104679	Cover	1
3	1527877	Capscrew	2
4	1566420	Nut	2
5	1693738	Label	1

FUSE PANEL ASSEMBLY (FIGURE 2-9)

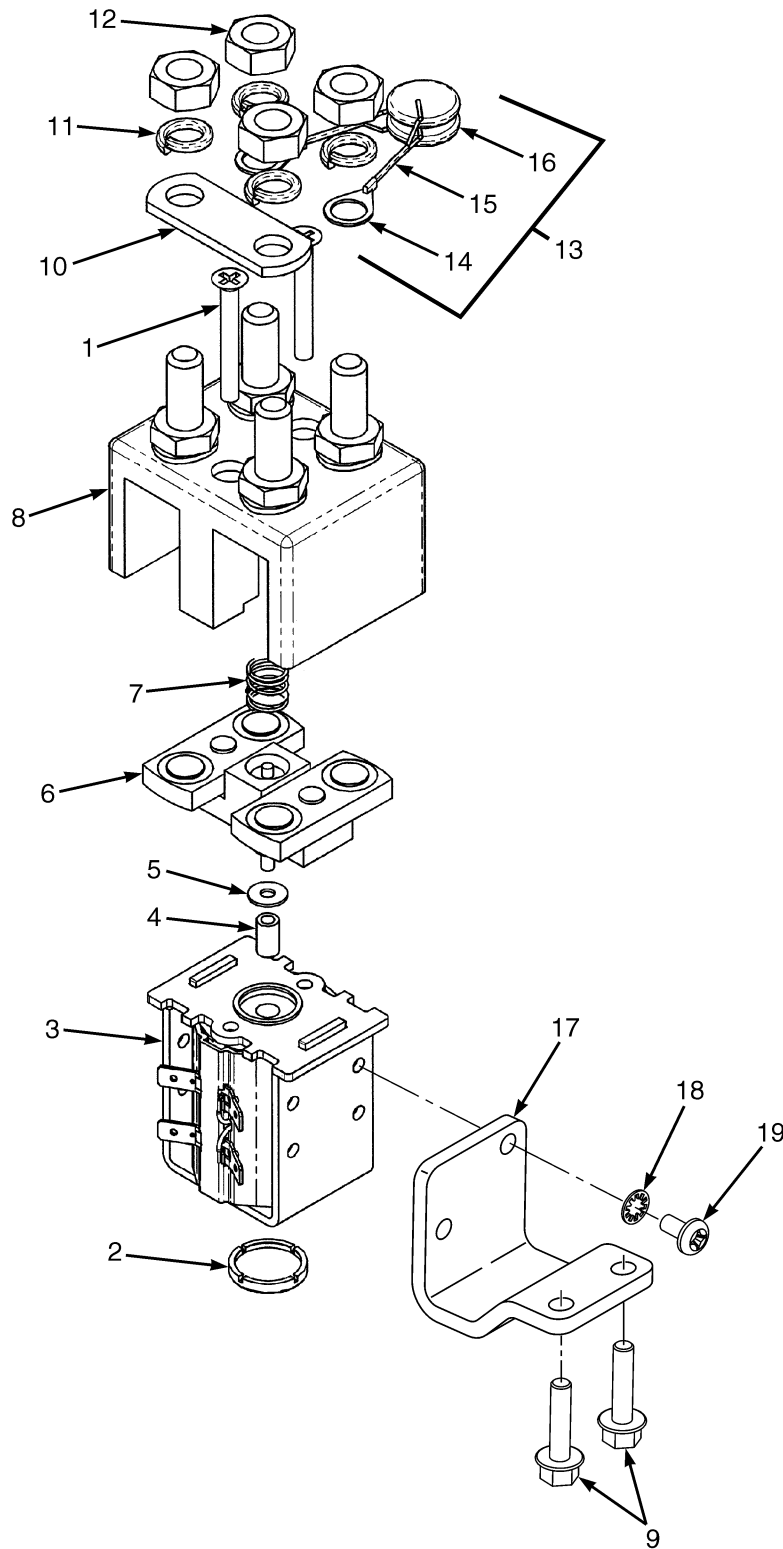


BP080296

FUSE PANEL ASSEMBLY

ITEM	PART NO.	DESCRIPTION	QTY
	4016344	Fuse Panel	1
1	4016340	Bracket	1
2	1374210	Fuse Block	1
3	1593895	Fuse (10 Amp)	3
4	350996	Fuse (5 Amp)	1
5	1678497	Label	1
6	1647929	Buss Bar	1
7	4016342	Cover	1
8	302009	Screw (M3 x .05 x 10)	2
9	296355	Washer	2
10	292665	Nut	2
11	1705715	Receptacle	1
12	1705714	Retainer	1
13	1705713	Fastener	1

CONTACTOR (FIGURE 2-10)

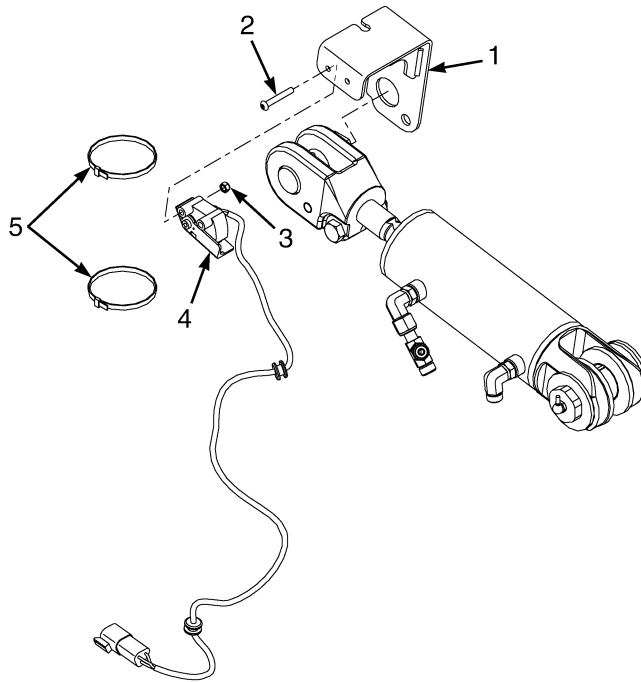


BP080835

CONTACTOR

ITEM	PART NO.	DESCRIPTION	QTY
	1705384	Contact Assembly	1
	1704063	Contact	1
1	1314299	Screw	2
2	1454122	End Cap	1
3	1704887	Coil And Frame	1
4	1704892	Plunger	1
5	1704894	Washer	1
6	1708802	Contact	1
7	1708803	Return Spring	1
8	1708805	Cover	1
9	1527878	Capscrew	2
10	1704064	Buss Bar	1
11	388049		
	292682	Lockwasher	4
12	292655	Nut	4
13	1525921	Thermistor (Assembly)	1
14	1525920	E-Ring	2
15	222522	Heat Shrink	2
16	1525922	Thermistor	2
16	4003770	Thermistor (Optional)	2
17	1694943	Bracket	1
18	296358	Washer	2
19	302032	Screw	2

TILT SENSOR GROUP (FIGURE 2-11)



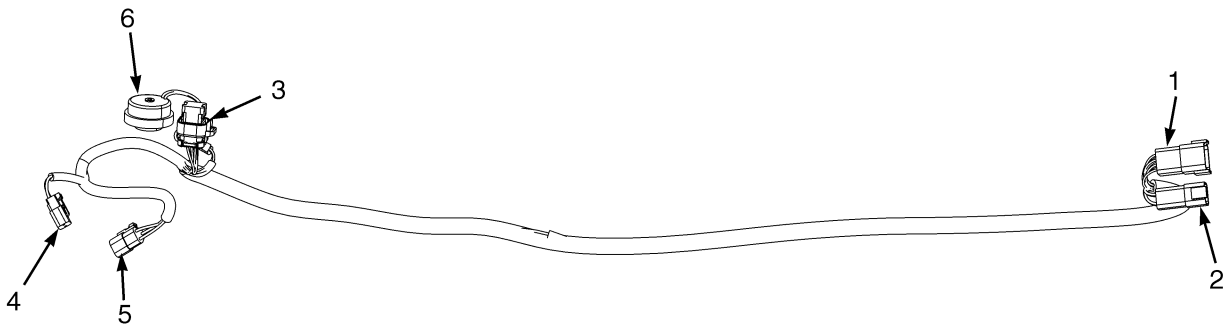
BP080871

ITEM	PART NO.	DESCRIPTION	QTY
1	4014097	Bracket Wldmt	1
2	1553897	Capscrew	2
3	302398	Locknut	2
4	1595234	Sensor (Mast Tilt Position)	1
4	4019160	Conduit	AR
5	2004005	Strap Clamp	2
	a 1371287	Washer	1

FOOTNOTES:

a Not Illustrated

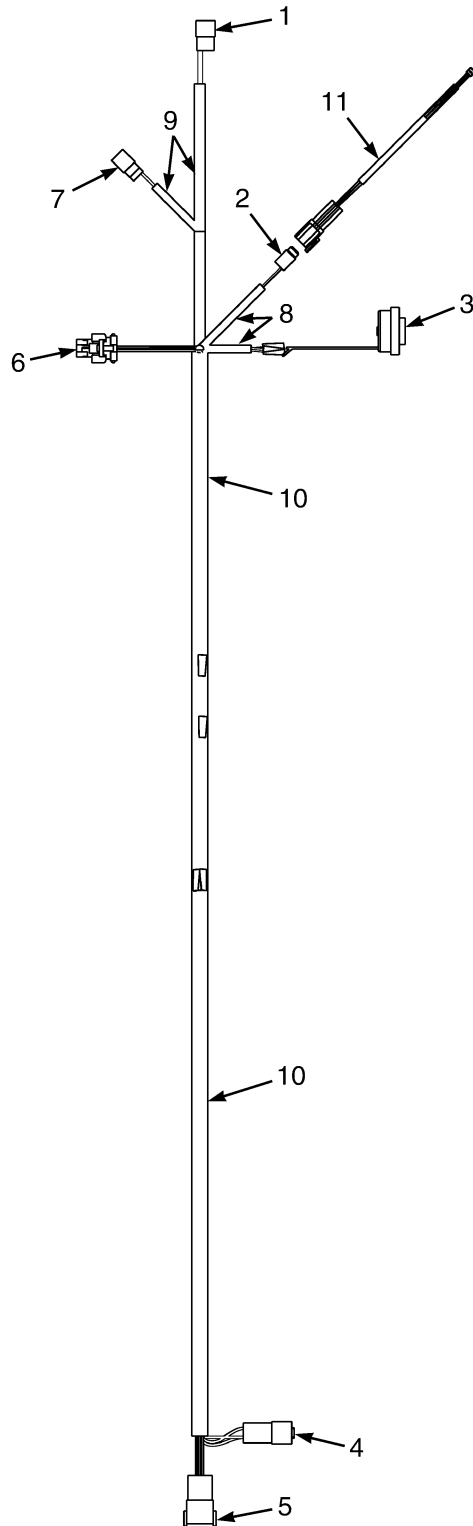
**WIRE HARNESS (FIGURE 2-12)
DISPLAY, STANDARD**



BP080718

ITEM	PART NO.	DESCRIPTION	QTY
	2100218	Wire Harness (Display) (Standard)	1
1	1541988	Connector (8 Pin) (Main Harness)	1
1	1463138	Terminal Pin	7
1	1484377	Plug	1
1	1541989	Connector (Secondary Lock) (Secondary Lock)	1
2	1489655	Connector (4 Way) (Main Harness)	1
2	1330437	Terminal (Pin)	4
2	1330416	Connector (Secondary Lock) (Secondary Lock)	1
3	2069414	Connector (Plug) (Display)	1
3	4561049	Connector (Socket Female)	7
4	1484361	Connector (Socket) (Right Front Work Light)	1
4	1330438	Terminal (Socket)	2
4	1490243	Connector (Secondary Lock) (Secondary Lock)	1
5	1498502	Connector (Right Front Marker Light)	1
5	1330438	Terminal (Socket)	3
5	1463194	Connector (Secondary Lock) (Secondary Lock)	1
6	2101546	Buzzer	1

**WIRE HARNESS (FIGURE 2-13)
DISPLAY, PREMIUM — FREEZER OPTION**

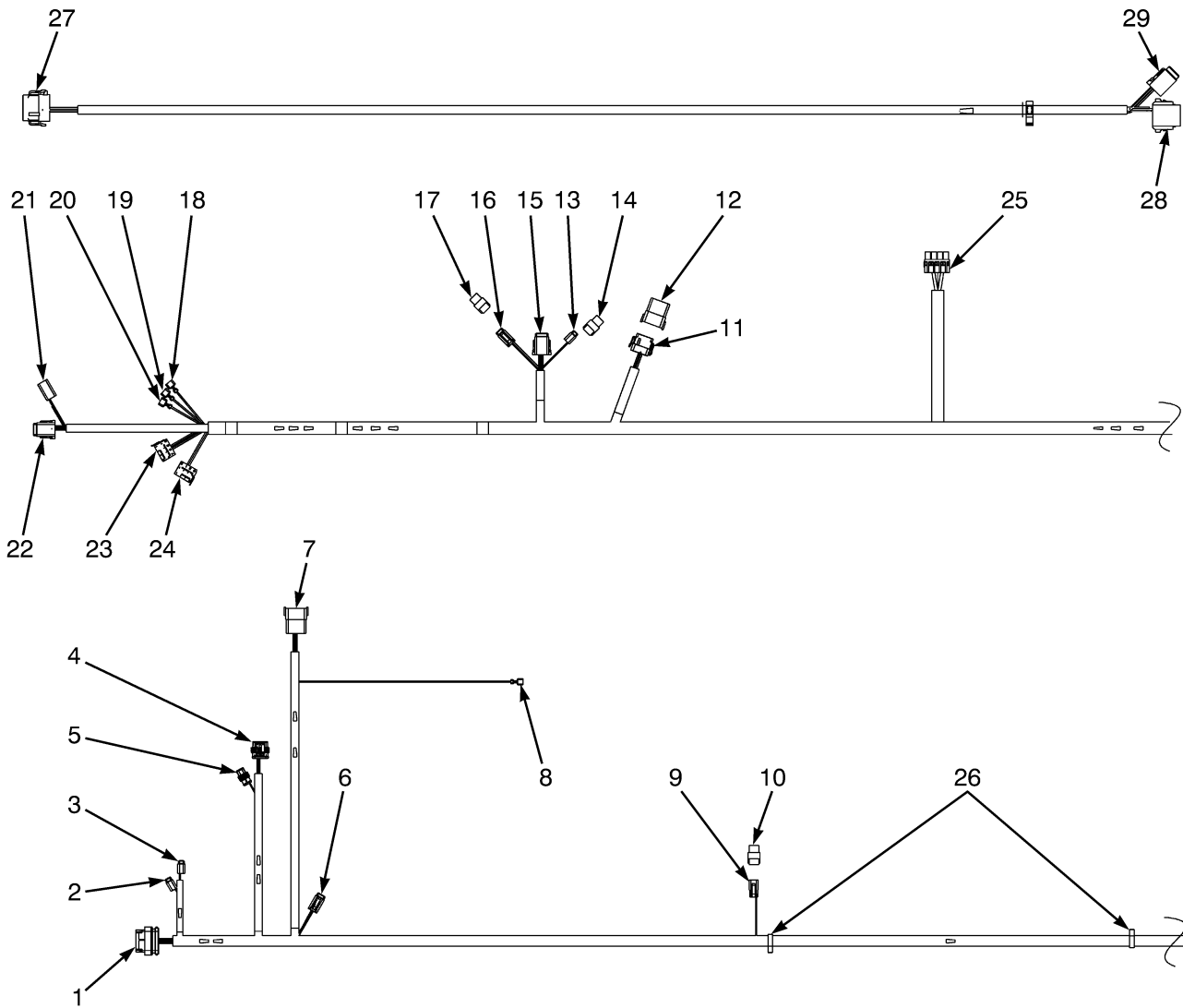


BP081000

**WIRE HARNESS
DISPLAY, PREMIUM – FREEZER OPTION**

ITEM	PART NO.	DESCRIPTION	QTY
	2096576	Wire Harness (Display) (Premium)	1
1	Connector Assembly (Right Front Marker Light)	1
1	1498502	Connector	1
1	1330438	Terminal (Socket)	3
1	1463194	Connector (Secondary Lock) (Secondary Lock)	1
2	Connector Assembly (Display Temperature Sensor)	1
2	1484557	Connector (2 Socket)	1
2	1463141	Terminal (Socket)	2
2	1484558	Connector (Secondary Lock) (Secondary Lock)	1
3	2101546	Buzzer	1
4	Connector Assembly (Main Harness)	1
4	1330437	Terminal (Pin)	4
4	1489655	Connector (4 Way)	1
4	1330416	Connector (Secondary Lock) (Secondary Lock)	1
5	Connector Assembly (Main Harness)	1
5	1541988	Connector (8 Pin)	1
5	1463140	Terminal (Pin)	7
5	1484377	Plug	1
5	1541989	Connector (Secondary Lock) (Secondary Lock)	1
6	Connector Assembly (Display)	1
6	2069414	Connector (Plug)	1
6	1561019	
	2035276	Connector (Socket Female)	8
7	Connector Assembly (Right Front Work Light)	1
7	1330438	Terminal (Socket)	2
7	1484361	Connector (Socket)	1
7	1490243	Connector (Secondary Lock) (Secondary Lock)	1
8	1655195	Conduit	AR
9	275493	Conduit	AR
10	275495	Conduit	AR
11	2108466	Wire Harness (Temperature Sensor)	1
11	1561559	Connector (2 Pin)	1

WIRE HARNESS (FIGURE 2-14) MAIN-ELECTRO-HYDRAULIC — PAGE 1 OF 2 (→ S/N A935B01907H)



BP080715

WIRE HARNESS
MAIN-ELECTRO-HYDRAULIC – PAGE 1 OF 2 (→ S/N A935B01907H)

ITEM	PART NO.	DESCRIPTION	QTY
	2111690	Wire Harness (Main) (Electro - Hydraulic)	1
1	Connector (Pump Controller)	1
1	2035275	Connector	1
1	1561019	
	2035276	Connector (Socket Female)	13
2	Connector (Hydraulic Controller-Cooling Fan)	1
2	1484557	Connector (2 Socket)	1
2	1463141	Terminal (Socket)	2
2	1484558	Connector (Secondary Lock) (Secondary Lock)	1
3	Connector (Hydraulic Controller-Cooling Fan)	1
3	1484557	Connector (2 Socket)	1
3	1463141	Terminal (Socket)	2
3	1484558	Connector (Secondary Lock) (Secondary Lock)	1
4	Connector (Motor Speed Sensor)	1
4	1508211	Connector (4 Way)	1
4	1597839	Receptacle Contact 20-22 AWG (Terminal)	4
4	2060555	Wire Seal	4
5	Connector (Motor Temperature Sensor)	1
5	1508206	Connector (2 Way)	1
5	1597839	Receptacle Contact 20-22 AWG (Terminal)	2
5	2060555	Wire Seal	2
6	Connector (Steer Axle Harness)	1
6	1493462	Connector	1
6	1463141	Terminal (Socket)	3
6	1493464	Connector (Secondary Lock) (Secondary Lock)	1
7	Connector (Seat Harness)	1
7	1623280	Connector	1
7	1463140	Terminal (Pin)	11
7	1484377	Plug	1
7	1623281	Connector (Secondary Lock)	1
8	1306270	Terminal (ESD Hydraulic Tank)	1
9	Connector (Overhead Guard Horn Switch)	1
9	1490242	Connector (2 Way)	1
9	1597773	Terminal	2
9	1490243	Connector (Secondary Lock) (Secondary Lock)	1
10	Connector	1
10	1493465	Connector (2 Pin)	1
10	1330439	Plug	1
11	Connector (Light Option Harness)	1
11	1525567	Connector	1
11	1463141	Terminal (Socket)	1
11	1484377	Plug	2
11	1463139	Terminal	9
12	Connector	1
12	1623280	Connector	1
12	1484377	Plug	1
13	Connector (Synchronous Steering)	1
13	1484557	Connector (2 Socket)	1
13	1463141	Terminal (Socket)	2
13	1484558	Connector (Secondary Lock) (Secondary Lock)	1

WIRE HARNESS

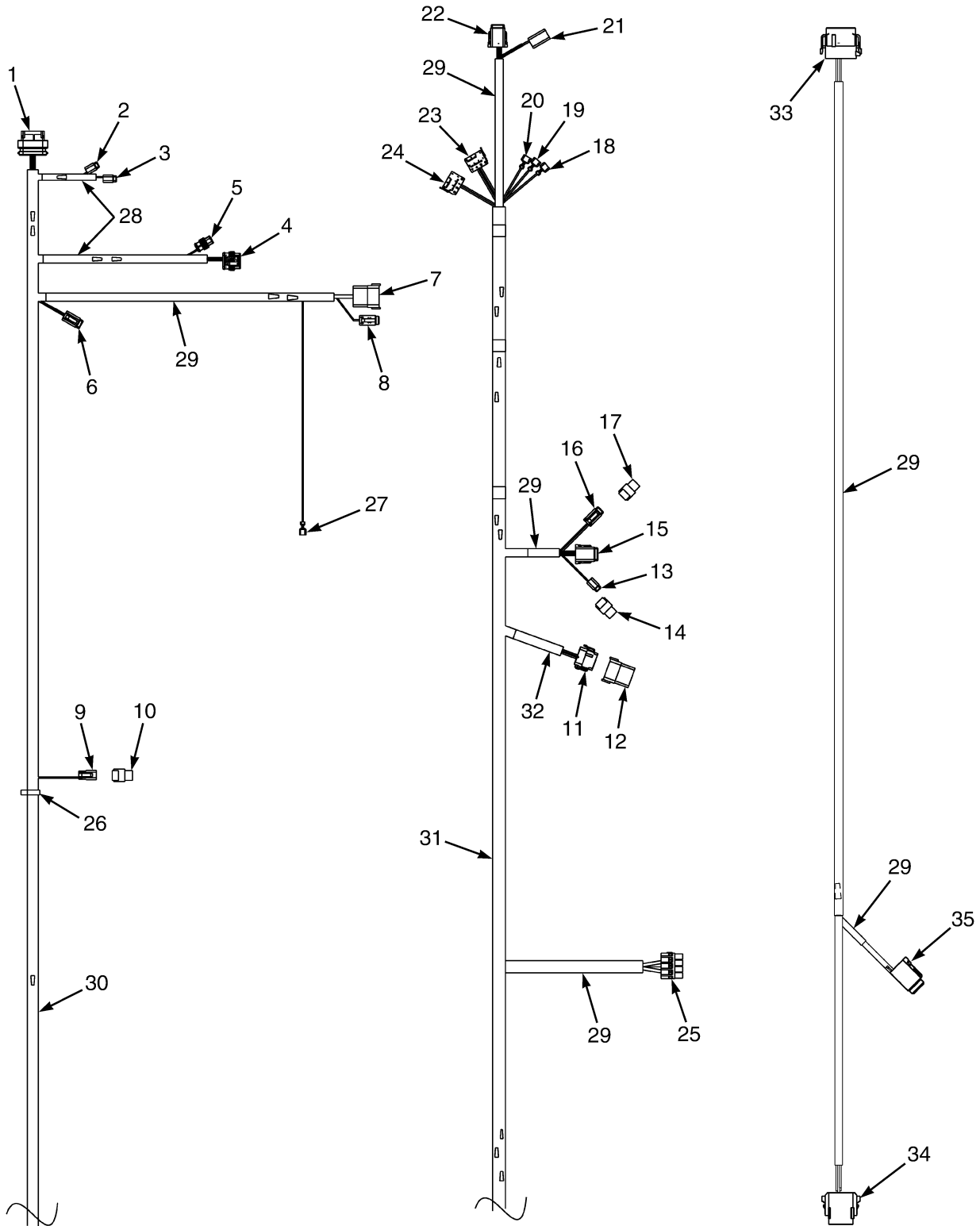
MAIN-ELECTRO-HYDRAULIC – PAGE 1 OF 2 (→ S/N A935B01907H)

ITEM	PART NO.	DESCRIPTION	QTY
14	Connector	1
14	1561559	Connector (2 Pin)	1
14	1484377	Plug	1
15	Connector (Steer Harness)	1
15	1541991	Connector	1
15	1463141	Terminal (Socket)	8
15	1541992	Connector (Secondary Lock)	1
16	Connector (Turn Signal Switch)	1
16	1463189	Connector	1
16	1484377	Plug	1
16	1463139	Terminal	3
16	1463196	Connector (Secondary Lock)	1
17	Connector	1
17	1463184	Connector	1
17	1484377	Plug	4
18	1310142	Terminal (Flasher) (Left)	1
19	1310142	Terminal (Flasher) (+)	1
20	1310142	Terminal (Flasher) (-)	1
21	Connector (Display Light Harness)	1
21	1489656	Connector (4-Way)	1
21	1330438	Terminal (Socket)	4
21	1489657	Connector (Secondary Lock)	1
22	Connector (Display Harness)	1
22	1541991	Connector	1
22	1463141	Terminal (Socket)	7
22	1484377	Plug	1
22	1541992	Connector (Secondary Lock)	1
23	Connector (No Marker Light Switch)	1
23	1484564		
	1382308	Socket	1
23	1655183	Terminal	2
23	1301230	Blade Conn-Fem	1
24	Connector (Rear Work Light Switch)	1
24	1484564		
	1382308	Socket	1
24	1655183	Terminal	2
25	Connector (DC-DC Converter)	1
25	1554879	Connector	1
25	1554877	Terminal	1
25	1682736	Terminal	3
26	1509890	Clip	2
	1673607	Wire Harness (Seat Jumper) (MLM Jumper)	1
27	Connector (To Main Harness)	1
27	1525567	Connector	1
27	1463141	Terminal (Socket)	11
27	1484377	Plug	1
27	1529046	Connector (Secondary Lock)	1
28	Connector (Mini-lever Module)	1
28	1330423	Connector (8 Socket)	1
28	1597773	Terminal	7

WIRE HARNESS
MAIN-ELECTRO-HYDRAULIC – PAGE 1 OF 2 (→ S/N A935B01907H)

ITEM	PART NO.	DESCRIPTION	QTY
28	1330439	Plug	1
28	1330429	Connector (Secondary Lock)	1
29	Connector	1
29	1531973	Connector	1
29	1463139	Terminal	5
29	1484377	Plug	1
29	1531974	Connector (Secondary Lock)	1

WIRE HARNESS (FIGURE 2-15) MAIN-ELECTRO-HYDRAULIC — PAGE 1 OF 2 (S/N A935B01908H →)



BP081275

WIRE HARNESS
MAIN-ELECTRO-HYDRAULIC – PAGE 1 OF 2 (S/N A935B01908H →)

ITEM	PART NO.	DESCRIPTION	QTY
	2111690	Wire Harness (Main) (Electro - Hydraulic)	1
1	Connector Assembly (Pump Controller)	1
1	2035275	Connector	1
1	1561019	
	2035276	Connector (Socket Female)	13
2	Connector Assembly (Hydraulic Controller-Cooling Fan)	1
2	1484557	Connector (2 Socket)	1
2	1463141	Terminal (Socket)	2
2	1484558	Connector (Secondary Lock) (Secondary Lock)	1
3	Connector Assembly (Hydraulic Controller-Cooling Fan)	1
3	1484557	Connector (2 Socket)	1
3	1463141	Terminal (Socket)	2
3	1484558	Connector (Secondary Lock) (Secondary Lock)	1
4	Connector Assembly (Motor Speed Sensor)	1
4	1508211	Connector (4 Way)	1
4	1597839	Receptacle Contact 20-22 AWG (Terminal)	4
4	2060555	Wire Seal	4
5	Connector Assembly (Motor Temperature Sensor)	1
5	1508206	Connector (2 Way)	1
5	1597839	Receptacle Contact 20-22 AWG (Terminal)	2
5	2060555	Wire Seal	2
6	Connector Assembly (Steer Axle Harness)	1
6	1493462	Connector	1
6	1463141	Terminal (Socket)	3
6	1493464	Connector (Secondary Lock) (Secondary Lock)	1
7	Connector Assembly (Seat Harness)	1
7	1623280	Connector	1
7	1463140	Terminal (Pin)	11
7	1484377	Plug	1
7	1623281	Connector (Secondary Lock)	1
8	Connector Assembly (Hydraulic Fluid Level -Pressure)	1
8	1531973	Connector	1
8	1463141	Terminal (Socket)	5
8	1484377	Plug	1
8	1531974	Connector (Secondary Lock)	1
9	Connector Assembly (Overhead Guard Horn Switch)	1
9	1490242	Connector (2 Way)	1
9	1597773	Terminal	2
9	1490243	Connector (Secondary Lock) (Secondary Lock)	1
10	Connector	1
10	1493465	Connector (2 Pin)	1
10	1330439	Plug	1
11	Connector Assembly (Light Option Harness)	1
11	1525567	Connector	1
11	1463141	Terminal (Socket)	1
11	1484377	Plug	1
11	1463139	Terminal	10
11	1529046	Connector (Secondary Lock)	1
12	Connector Assembly	1
12	1623280	Connector	1

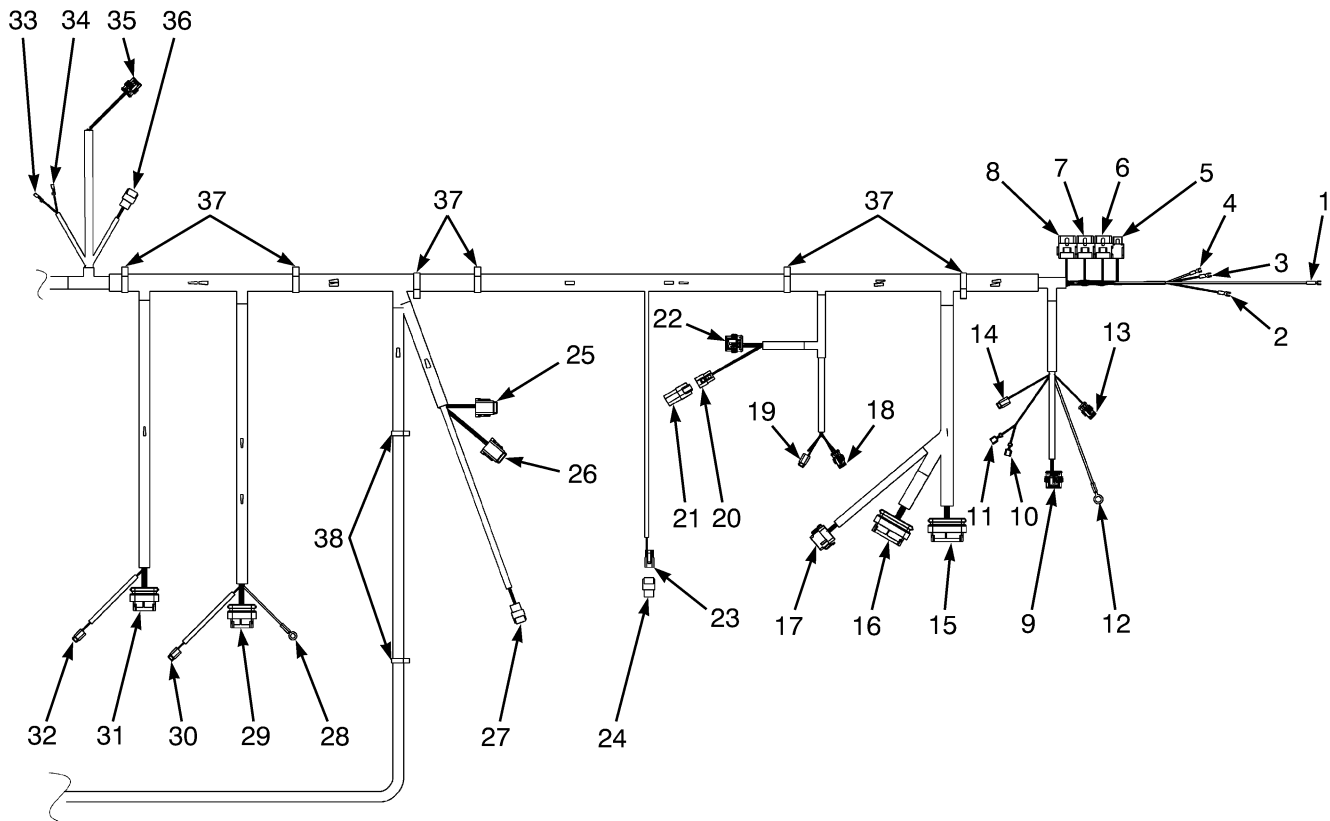
WIRE HARNESS
MAIN-ELECTRO-HYDRAULIC – PAGE 1 OF 2 (S/N A935B01908H →)

ITEM	PART NO.	DESCRIPTION	QTY
12	1484377	Plug	12
13	Connector Assembly (Synchronous Steering)	1
13	1484557	Connector (2 Socket)	1
13	1463141	Terminal (Socket)	2
13	1484558	Connector (Secondary Lock) (Secondary Lock)	1
14	Connector Assembly	1
14	1561559	Connector (2 Pin)	1
14	1484377	Plug	1
15	Connector Assembly (Steer Harness)	1
15	1541991	Connector	1
15	1463141	Terminal (Socket)	7
15	1541992	Connector (Secondary Lock)	1
16	Connector Assembly (Turn Signal Switch)	1
16	1463189	Connector	1
16	1484377	Plug	1
16	1463139	Terminal	3
16	1463196	Connector (Secondary Lock)	1
17	Connector Assembly	1
17	1463184	Connector	1
17	1484377	Plug	4
18	1310142	Terminal (Flasher) (Left)	1
19	1310142	Terminal (Flasher) (+)	1
20	1310142	Terminal (Flasher) (-)	1
21	Connector Assembly (Display Light Harness)	1
21	1489656	Connector (4-Way)	1
21	1330438	Terminal (Socket)	4
21	1489657	Connector (Secondary Lock)	1
22	Connector Assembly (Display Harness)	1
22	1541991	Connector	1
22	1463141	Terminal (Socket)	7
22	1484377	Plug	1
22	1541992	Connector (Secondary Lock)	1
23	Connector Assembly (No Marker Light Switch)	1
23	1484564	
	1382308	Socket	1
23	1655183	Terminal	2
23	1301230	Blade Conn-Fem	2
24	Connector Assembly (Rear Work Light Switch)	1
24	1484564	
	1382308	Socket	1
24	1655183	Terminal	2
25	Connector Assembly (DC-DC Converter)	1
25	1554879	Connector	1
25	1554877	Terminal	2
25	1682736	Terminal	2
26	1509890	Clip	2
27	1306270	Terminal (ESD Hydraulic Tank)	1
28	275493	Conduit	AR
29	275494	Conduit	AR
30	275496	Conduit	AR

WIRE HARNESS
MAIN-ELECTRO-HYDRAULIC – PAGE 1 OF 2 (S/N A935B01908H →)

ITEM	PART NO.	DESCRIPTION	QTY
31	275497	Conduit	AR
32	275495	Conduit	AR
	1673607	Wire Harness (Seat Jumper) (MLM Jumper)	1
33	Connector Assembly (To Main Harness)	1
33	1525567	Connector	1
33	1463141	Terminal (Socket)	11
33	1484377	Plug	1
33	1529046	Connector (Secondary Lock)	1
34	Connector Assembly (Mini-lever Module)	1
34	1330423	Connector (8 Socket)	1
34	1597773	Terminal	7
34	1330439	Plug	1
34	1330429	Connector (Secondary Lock)	1
35	Connector Assembly	1
35	1531973	Connector	1
35	1463141	Terminal (Socket)	5
35	1484377	Plug	1
35	1531974	Connector (Secondary Lock)	1

WIRE HARNESS (FIGURE 2-16) MAIN-ELECTRO-HYDRAULIC — PAGE 2 OF 2 (→ S/N A935B01907H)



BP080716

WIRE HARNESS
MAIN-ELECTRO-HYDRAULIC – PAGE 2 OF 2 (→ S/N A935B01907H)

ITEM	PART NO.	DESCRIPTION	QTY
	2111690	Wire Harness (Main) (Electro-Hydraulic)	1
1	1508353	Terminal Wire	1
2	1450957	E-Spade	1
3	1450957	E-Spade	1
4	1450957	E-Spade	1
5	Receptacle (Key Switch Relay)	1
5	1377860	Connector	1
5	4001753	Terminal	2
5	1706004	Terminal	2
6	Receptacle (Back-Up Light Relay)	1
6	2100204	Receptacle	1
6	1655184	Terminal	4
7	Receptacle (E. Hydraulic EN Relay)	1
7	2100204	Receptacle	1
7	1655184	Terminal	4
8	Receptacle (Brake Light Relay)	1
8	2100204	Receptacle	1
8	1655183	Terminal	2
8	1655184	Terminal	2
9	Connector (Left Speed Sensor)	1
9	1508211	Connector (4 Way)	1
9	1597839	Receptacle Contact 20-22 AWG (Terminal)	4
9	2060555	Wire Seal	4
10	1306270	Terminal	1
11	1306270	Terminal	1
12	129886	E-Ring	1
13	Connector (Left Traction Motor Temperature Sensor)	1
13	1508206	Connector (2 Way)	1
13	1597839	Receptacle Contact 20-22 AWG (Terminal)	2
13	2060555	Wire Seal	2
14	Connector (Left Electric Brake)	1
14	1484557	Connector (2 Socket)	1
14	1463141	Terminal (Socket)	2
14	1484558	Connector (Secondary Lock) (Secondary Lock)	1
15	Connector (Vehicle System Manager)	1
15	2056243	Connector (35 Way)	1
15	4561019	
	2035276	Connector (Socket Female)	20
16	Connector (Vehicle System Manager)	1
16	1553094	Connector	1
16	4561019	
	2035276	Connector (Socket Female)	23
17	Connector (Accessory Jumper)	1
17	1525567	Connector	1
17	1463141	Terminal (Socket)	10
17	1484377	Plug	2
17	1529046	Connector (Secondary Lock)	1
18	Connector (Right Traction Motor Temperature Sensor)	1
18	1508206	Connector (2 Way)	1
18	1597839	Receptacle Contact 20-22 AWG	2

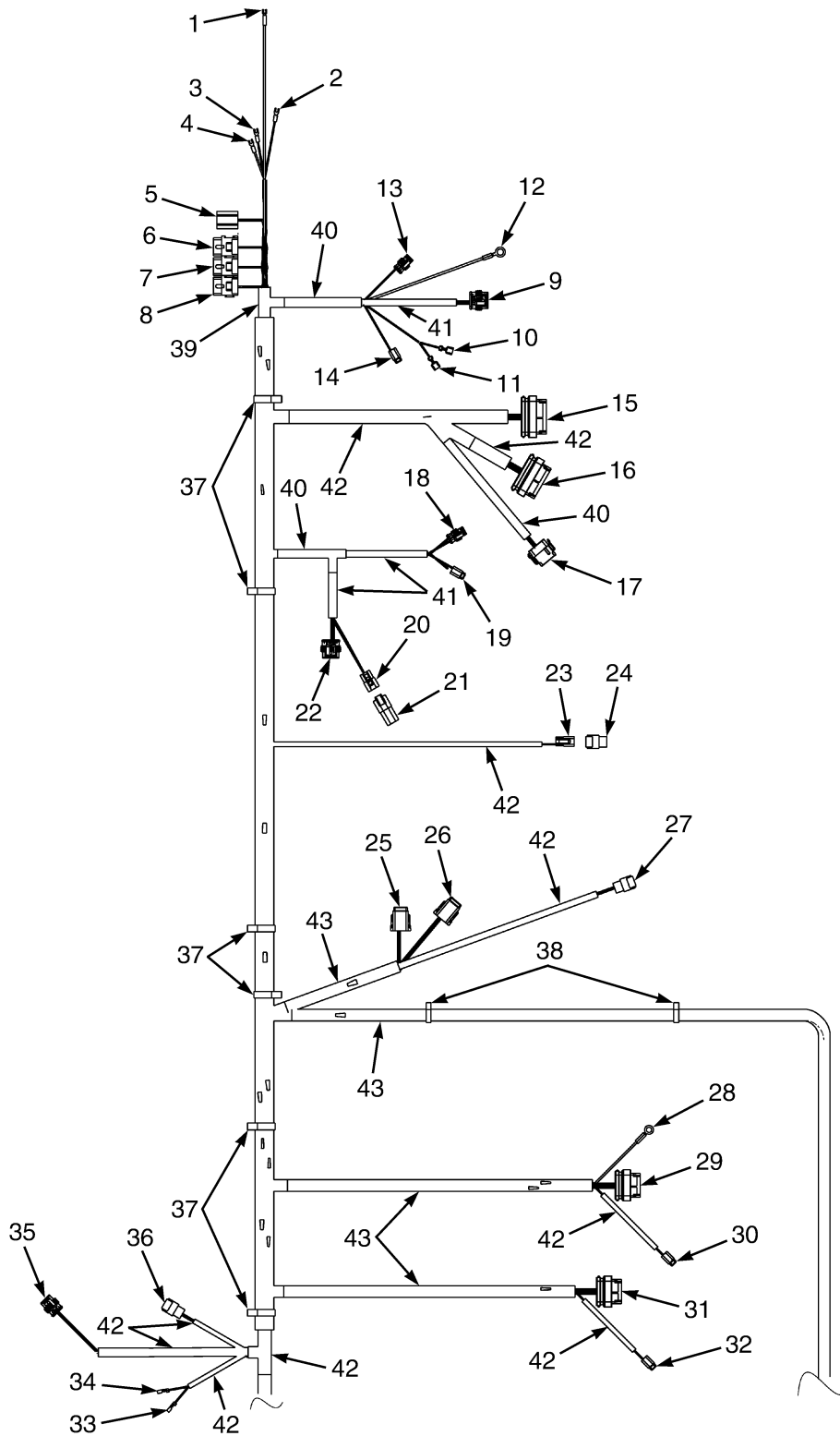
WIRE HARNESS
MAIN-ELECTRO-HYDRAULIC – PAGE 2 OF 2 (→ S/N A935B01907H)

ITEM	PART NO.	DESCRIPTION	QTY
18	2060555	Wire Seal (Terminal)	2
19	Connector (Right Electric Brake)	1
19	1484557	Connector (2 Socket)	1
19	1463141	Terminal (Socket)	2
19	1484558	Connector (Secondary Lock) (Secondary Lock)	1
20	Connector (Tilt Position Sensor)	1
20	1484397	Connector (3-Way)	1
20	1531312	Terminal	3
20	1330415	Connector (Secondary Lock)	1
21	Connector	1
21	1493466	Connector	1
21	1330439	Plug	3
22	Connector (Right Speed Sensor)	1
22	1508211	Connector (4 Way)	1
22	1597839	Receptacle Contact 20-22 AWG (Terminal)	4
22	2060555	Wire Seal	4
23	Connector (Battery Gate Magnetic Switch)	1
23	1490242	Connector (2 Way)	1
23	1597773	Terminal	2
23	1490243	Connector (Secondary Lock) (Secondary Lock)	1
24	Connector	1
24	1493465	Connector (2 Pin)	1
24	1330439	Plug	1
25	Connector (E. Hydraulic Valve Lower Coils)	1
25	1655172	Connector	1
25	1463141	Terminal (Socket)	8
25	1541992	Connector (Secondary Lock)	1
26	Connector (E. Hydraulic Valve Upper Coil)	1
26	1541991	Connector	1
26	1463141	Terminal (Socket)	8
26	1541992	Connector (Secondary Lock)	1
27	Connector (Left Pressure Sensor)	1
27	1525595	Connector	1
27	1525596	Terminal	3
27	1533810	Seal	3
28	148611	E-Ring	1
29	Connector (Right Traction Motor Controller)	1
29	2035275	Connector	1
29	1561019
29	2035276	Connector (Socket Female)	12
30	Connector (Right Controller Cooling Fan)	1
30	1484557	Connector (2 Socket)	1
30	1463141	Terminal (Socket)	2
30	1484558	Connector (Secondary Lock) (Secondary Lock)	1
31	Connector (Left Traction Motor Controller)	1
31	2035275	Connector	1
31	1561019
31	2035276	Connector (Socket Female)	12
32	Connector (Left Controller Cooling Fan)	1
32	1484557	Connector (2 Socket)	1

WIRE HARNESS
MAIN-ELECTRO-HYDRAULIC – PAGE 2 OF 2 (→ S/N A935B01907H)

ITEM	PART NO.	DESCRIPTION	QTY
32	1463141	Terminal (Socket)	2
32	1484558	Connector (Secondary Lock) (Secondary Lock)	1
33	1324310	Terminal (Brake Floor Level Sensor)	1
34	1324310	Terminal (Brake Floor Level Sensor)	1
35	Connector (Horn Assembly)	1
35	1547629	Connector (3 Way)	1
35	1597839	Receptacle Contact 20-22 AWG	3
35	2060555	Wire Seal	3
36	Connector (Service Brake Sensor)	1
36	1525595	Connector	1
36	1525596	Terminal	3
36	1533810	Seal	3
37	1534282	Clip	6
38	1509890	Clip	2

WIRE HARNESS (FIGURE 2-17) MAIN-ELECTRO-HYDRAULIC — PAGE 2 OF 2 (S/N A935B01908H →)



BP081274

WIRE HARNESS
MAIN-ELECTRO-HYDRAULIC – PAGE 2 OF 2 (S/N A935B01908H →)

ITEM	PART NO.	DESCRIPTION	QTY
	2111690	Wire Harness (Main) (Electro-Hydraulic)	1
1	1508353	Terminal Wire	1
2	1450957	E-Spade	1
3	1450957	E-Spade	1
4	1450957	E-Spade	1
5	Receptacle (Key Switch Relay)	1
5	1377860	Connector	1
5	4001753	Terminal	2
5	1706004	Terminal	2
6	Receptacle (Back-Up Light Relay)	1
6	2100204	Receptacle	1
6	1655183	Terminal	2
6	1655184	Terminal	2
7	Receptacle (E. Hydraulic EN Relay)	1
7	2100204	Receptacle	1
7	1655184	Terminal	4
8	Receptacle (Brake Light Relay)	1
8	2100204	Receptacle	1
8	1655183	Terminal	2
8	1655184	Terminal	2
9	Connector Assembly (Left Speed Sensor)	1
9	1508211	Connector (4 Way)	1
9	1597839	Receptacle Contact 20-22 AWG (Terminal)	4
9	2060555	Wire Seal	4
10	1306270	Terminal	1
11	1306270	Terminal	1
12	129886	E-Ring	1
13	Connector Assembly (Left Traction Motor Temperature Sensor)	1
13	1508206	Connector (2 Way)	1
13	1597839	Receptacle Contact 20-22 AWG (Terminal)	2
13	2060555	Wire Seal	2
14	Connector Assembly (Left Electric Brake)	1
14	1484557	Connector (2 Socket)	1
14	1463141	Terminal (Socket)	2
14	1484558	Connector (Secondary Lock) (Secondary Lock)	1
15	Connector Assembly (Vehicle System Manager)	1
15	2056243	Connector (35 Way)	1
15	1561019	
	2035276	Connector (Socket Female)	21
16	Connector Assembly (Vehicle System Manager)	1
16	1553094	Connector	1
16	1561019	
	2035276	Connector (Socket Female)	23
17	Connector Assembly (Accessory Jumper)	1
17	1525567	Connector	1
17	1463141	Terminal (Socket)	10
17	1484377	Plug	2
17	1529046	Connector (Secondary Lock)	1
18	Connector Assembly (Right Traction Motor Temperature Sensor)	1
18	1508206	Connector (2 Way)	1

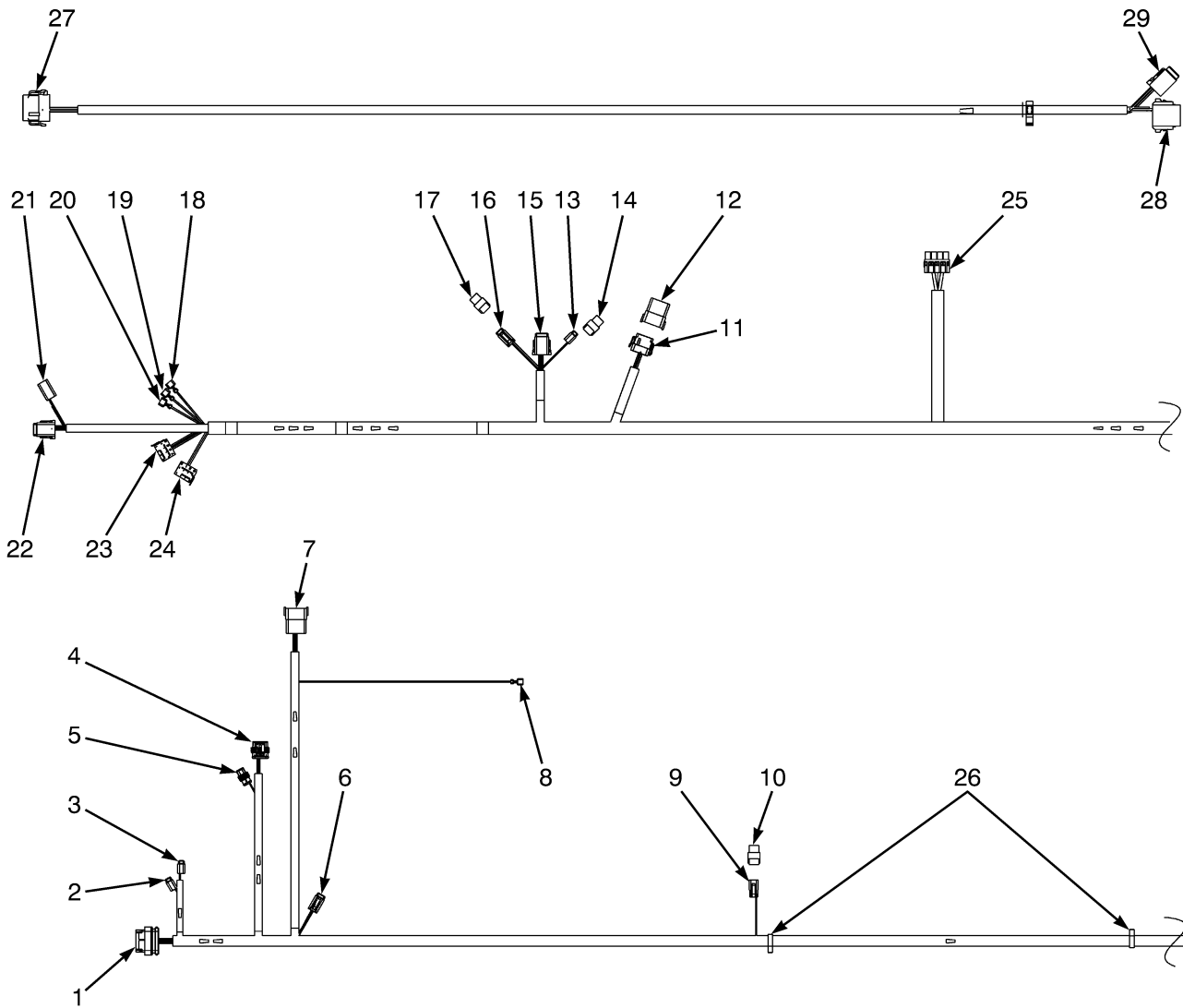
WIRE HARNESS
MAIN-ELECTRO-HYDRAULIC – PAGE 2 OF 2 (S/N A935B01908H →)

ITEM	PART NO.	DESCRIPTION	QTY
18	1597839	Receptacle Contact 20-22 AWG	2
18	2060555	Wire Seal (Terminal)	2
19	Connector Assembly (Right Electric Brake)	1
19	1484557	Connector (2 Socket)	1
19	1463141	Terminal (Socket)	2
19	1484558	Connector (Secondary Lock) (Secondary Lock)	1
20	Connector Assembly (Tilt Position Sensor)	1
20	1484397	Connector (3-Way)	1
20	1531312	Terminal	3
20	1330415	Connector (Secondary Lock)	1
21	Connector Assembly	1
21	1493466	Connector	1
21	1330439	Plug	3
22	Connector Assembly (Right Speed Sensor)	1
22	1508211	Connector (4 Way)	1
22	1597839	Receptacle Contact 20-22 AWG (Terminal)	4
22	2060555	Wire Seal	4
23	Connector Assembly (Battery Gate Magnetic Switch)	1
23	1490242	Connector (2 Way)	1
23	1597773	Terminal	2
23	1490243	Connector (Secondary Lock) (Secondary Lock)	1
24	Connector Assembly	1
24	1493465	Connector (2 Pin)	1
24	1330439	Plug	2
25	Connector Assembly (E. Hydraulic Valve Lower Coils)	1
25	1655172	Connector	1
25	1463141	Terminal (Socket)	8
25	1541992	Connector (Secondary Lock)	1
26	Connector Assembly (E. Hydraulic Valve Upper Coil)	1
26	1541991	Connector	1
26	1463141	Terminal (Socket)	8
26	1541992	Connector (Secondary Lock)	1
27	Connector Assembly (Left Pressure Sensor)	1
27	1525595	Connector	1
27	1525596	Terminal	3
27	1533810	Seal	3
28	148611	E-Ring	1
29	Connector Assembly (Right Traction Motor Controller)	1
29	2035275	Connector	1
29	1561049
29	2035276	Connector (Socket Female)	12
30	Connector Assembly (Right Controller Cooling Fan)	1
30	1484557	Connector (2 Socket)	1
30	1463141	Terminal (Socket)	2
30	1484558	Connector (Secondary Lock) (Secondary Lock)	1
31	Connector Assembly (Left Traction Motor Controller)	1
31	2035275	Connector	1
31	1561049
31	2035276	Connector (Socket Female)	14
32	Connector Assembly (Left Controller Cooling Fan)	1

WIRE HARNESS
MAIN-ELECTRO-HYDRAULIC – PAGE 2 OF 2 (S/N A935B01908H →)

ITEM	PART NO.	DESCRIPTION	QTY
32	1484557	Connector (2 Socket)	1
32	1463141	Terminal (Socket)	2
32	1484558	Connector (Secondary Lock) (Secondary Lock)	1
33	1324310	Terminal (Brake Floor Level Sensor)	1
34	1324310	Terminal (Brake Floor Level Sensor)	1
35	Connector Assembly (Horn Assembly)	1
35	1547629	Connector (3 Way)	1
35	1597839	Receptacle Contact 20-22 AWG	3
35	2060555	Wire Seal	3
36	Connector Assembly (Service Brake Sensor)	1
36	1525595	Connector	1
36	1525596	Terminal	3
36	1533810	Seal	3
37	1534282	Clip	6
38	1509890	Clip	2
39	275496	Conduit	AR
40	275494	Conduit	AR
41	275493	Conduit	AR
42	275497	Conduit	AR
43	1655195	Conduit	AR

WIRE HARNESS (FIGURE 2-18) MAIN-MANUAL-HYDRAULIC — PAGE 1 OF 2 (→ S/N A935B01914H)



BP080715

WIRE HARNESS
MAIN-MANUAL-HYDRAULIC – PAGE 1 OF 2 (→ S/N A935B01914H)

ITEM	PART NO.	DESCRIPTION	QTY
	2111691	Wire Harness (Main) (Manual-Hydraulic)	1
1	Connector (Pump Controller)	1
1	2035275	Connector	1
1	1561019	
	2035276	Connector (Socket Female)	13
2	Connector (Hydraulic Cooling Fan)	1
2	1484557	Connector (2 Socket)	1
2	1463141	Terminal (Socket)	2
2	1484558	Connector (Secondary Lock) (Secondary Lock)	1
3	Connector (Hydraulic Controller Cooling Fan)	1
3	1484557	Connector (2 Socket)	1
3	1463141	Terminal (Socket)	2
3	1484558	Connector (Secondary Lock) (Secondary Lock)	1
4	Connector (Motor Speed Sensor)	1
4	1508211	Connector (4 Way)	1
4	1597839	Receptacle Contact 20-22 AWG (Terminal)	4
4	2060555	Wire Seal	4
5	Connector (Motor Temperature Sensor)	1
5	1508206	Connector (2 Way)	1
5	1597839	Receptacle Contact 20-22 AWG (Terminal)	2
5	2060555	Wire Seal	2
6	Connector (Steer Axle Harness)	1
6	1493462	Connector	1
6	1463141	Terminal (Socket)	3
6	1493464	Connector (Secondary Lock) (Secondary Lock)	1
7	Connector (Seat Sensor)	1
7	1530960	Connector	1
7	1484377	Plug	1
7	1463140	Terminal (Pin)	5
7	1530961	Connector (Secondary Lock) (Secondary Lock)	1
8	1306270	Terminal (ESD Hydraulic Tank)	1
9	Connector (Overhead Guard Horn Switch)	1
9	1490242	Connector (2 Way)	1
9	1597773	Terminal	2
9	1490243	Connector (Secondary Lock) (Secondary Lock)	1
10	Connector	1
10	1493465	Connector (2 Pin)	1
10	1330439	Plug	1
11	Connector (Light Option Harness)	1
11	1525567	Connector	1
11	1463141	Terminal (Socket)	1
11	1484377	Plug	1
11	1463139	Terminal	10
11	1529046	Connector (Secondary Lock)	1
12	Connector	1
12	1623280	Connector	1
12	1484377	Plug	12
13	Connector (Turn Signal Switch)	1
13	1463189	Connector	1
13	1484377	Plug	1

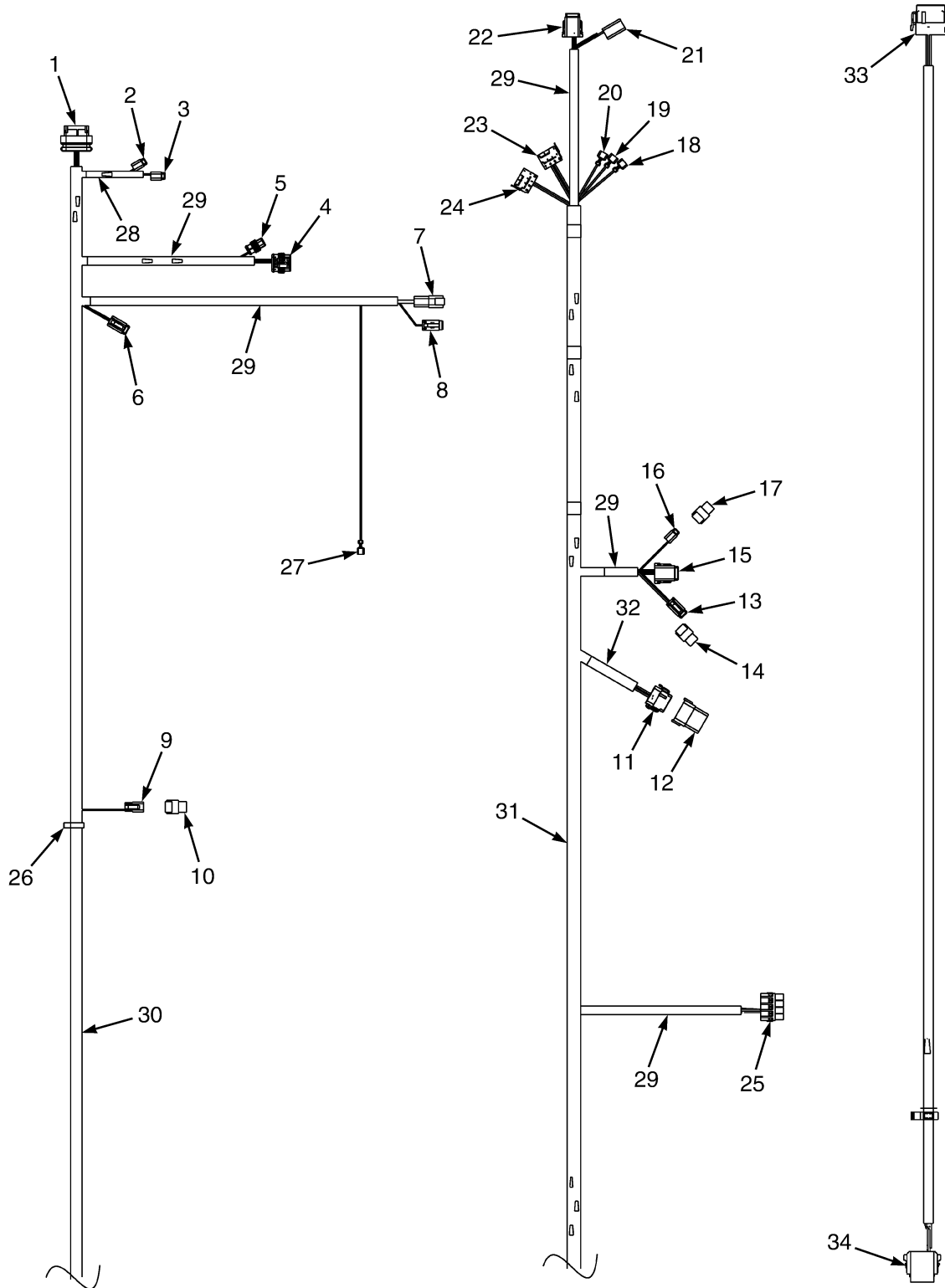
WIRE HARNESS
MAIN-MANUAL-HYDRAULIC – PAGE 1 OF 2 (→ S/N A935B01914H)

ITEM	PART NO.	DESCRIPTION	QTY
13	1463139	Terminal	3
13	1463196	Connector (Secondary Lock)	1
14	Connector	1
14	1463184	Connector	1
14	1484377	Plug	4
15	Connector (Steer Harness)	1
15	1541991	Connector	1
15	1463141	Terminal (Socket)	7
15	1484377	Plug	1
16	Connector (Steer Make-up Valve)	1
16	1484557	Connector (2 Socket)	1
16	1463141	Terminal (Socket)	2
16	1484558	Connector (Secondary Lock) (Secondary Lock)	1
17	Connector	1
17	1561559	Connector (2 Pin)	1
17	1484377	Plug	1
18	1310142	Terminal (Flasher) (L)	1
19	1310142	Terminal (Flasher) (+)	1
20	1310142	Terminal (Flasher) (-)	1
21	Connector (Display Light Harness)	1
21	1330438	Terminal (Socket)	4
21	1489656	Connector (4-Way)	1
21	1489657	Connector (Secondary Lock)	1
22	Connector (Display Harness)	1
22	1541991	Connector	1
22	1463141	Terminal (Socket)	7
22	1484377	Plug	1
22	1541992	Connector (Secondary Lock)	1
23	Connector (No Marker Light Switch)	1
23	1484564
	1382308	Socket	1
23	1655183	Terminal	2
24	Connector (Rear Work Light Switch)	1
24	1484564
	1382308	Socket	1
24	1655183	Terminal	2
25	Connector DC-DC Converter	1
25	1554879	Connector	1
25	1682736	Terminal	3
25	1554877	Terminal	1
26	1509890	Clip	2
	1673605	Wire Harness (Seat Jumper) (Seat Jumper)	1
27	1531973	Connector (Seat Sensor)	1
27	1463139	Terminal	5
27	1484377	Plug	1
27	1531974	Connector (Secondary Lock)	1
28	Connector	1
29	1531973	Connector (Seat Assembly)	1
29	1463139	Terminal	5
29	1484377	Plug	1

WIRE HARNESS
MAIN-MANUAL-HYDRAULIC – PAGE 1 OF 2 (→ S/N A935B01914H)

ITEM	PART NO.	DESCRIPTION	QTY
29	1531974	Connector (Secondary Lock)	1

WIRE HARNESS (FIGURE 2-19) MAIN-MANUAL-HYDRAULIC — PAGE 1 OF 2 (S/N A935B01915H →)



BP081277

WIRE HARNESS
MAIN-MANUAL-HYDRAULIC – PAGE 1 OF 2 (S/N A935B01915H →)

ITEM	PART NO.	DESCRIPTION	QTY
	2111691	Wire Harness (Main) (Manual-Hydraulic)	1
1	Connector Assembly (Pump Controller)	1
1	2035275	Connector	1
1	1561019	
	2035276	Connector (Socket Female)	13
2	Connector Assembly (Hydraulic Cooling Fan)	1
2	1484557	Connector (2 Socket)	1
2	1463141	Terminal (Socket)	2
2	1484558	Connector (Secondary Lock) (Secondary Lock)	1
3	Connector Assembly (Hydraulic Controller Cooling Fan)	1
3	1484557	Connector (2 Socket)	1
3	1463141	Terminal (Socket)	2
3	1484558	Connector (Secondary Lock) (Secondary Lock)	1
4	Connector Assembly (Motor Speed Sensor)	1
4	1508211	Connector (4 Way)	1
4	1597839	Receptacle Contact 20-22 AWG (Terminal)	4
4	2060555	Wire Seal	4
5	Connector Assembly (Motor Temperature Sensor)	1
5	1508206	Connector (2 Way)	1
5	1597839	Receptacle Contact 20-22 AWG (Terminal)	2
5	2060555	Wire Seal	2
6	Connector Assembly (Steer Axle Harness)	1
6	1493462	Connector	1
6	1463141	Terminal (Socket)	3
6	1493464	Connector (Secondary Lock) (Secondary Lock)	1
7	Connector Assembly (Seat Sensor)	1
7	1530960	Connector	1
7	1484377	Plug	1
7	1463140	Terminal (Pin)	5
7	1530961	Connector (Secondary Lock)	1
8	Connector Assembly (Hydraulic Fluid Level-Pressure)	1
8	1531973	Connector	1
8	1463141	Terminal (Socket)	5
8	1484377	Plug	1
8	1531974	Connector (Secondary Lock)	1
9	Connector Assembly (Overhead Guard Horn Switch)	1
9	1490242	Connector (2 Way)	1
9	1597773	Terminal	2
9	1490243	Connector (Secondary Lock) (Secondary Lock)	1
10	Connector Assembly	1
10	1493465	Connector (2 Pin)	1
10	1330439	Plug	1
11	Connector Assembly (Light Option Harness)	1
11	1525567	Connector	1
11	1463141	Terminal (Socket)	1
11	1484377	Plug	1
11	1463139	Terminal	10
11	1529046	Connector (Secondary Lock)	1
12	Connector	1
12	1623280	Connector	1

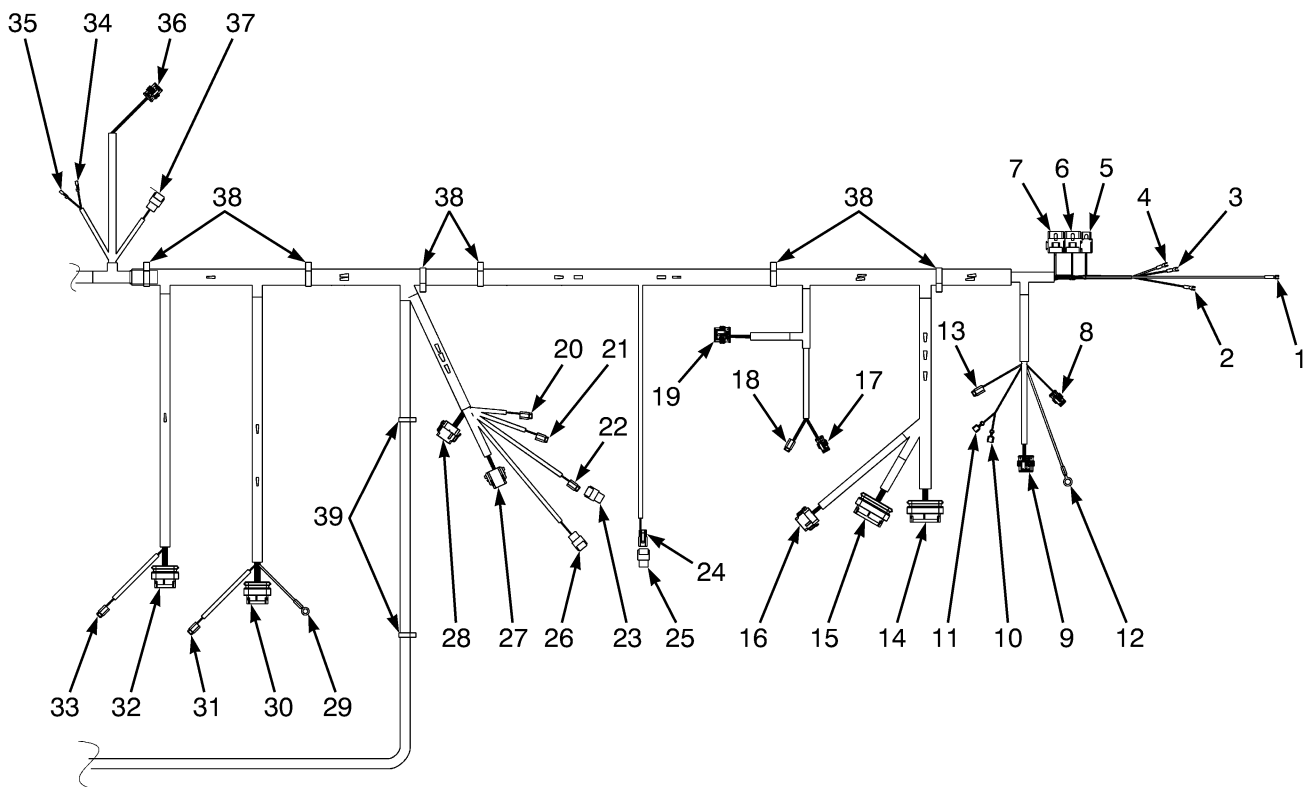
WIRE HARNESS
MAIN-MANUAL-HYDRAULIC – PAGE 1 OF 2 (S/N A935B01915H →)

ITEM	PART NO.	DESCRIPTION	QTY
12	1484377	Plug	12
13	Connector (Turn Signal Switch)	1
13	1463189	Connector	1
13	1484377	Plug	1
13	1463139	Terminal	3
13	1463196	Connector (Secondary Lock)	1
14	Connector	1
14	1463184	Connector	1
14	1484377	Plug	4
15	Connector (Steer Harness)	1
15	1541991	Connector	1
15	1463141	Terminal (Socket)	7
15	1484377	Plug	1
15	1541992	Connector (Secondary Lock)	1
16	Connector (Steer Make-up Valve)	1
16	1484557	Connector (2 Socket)	1
16	1463141	Terminal (Socket)	2
16	1484558	Connector (Secondary Lock) (Secondary Lock)	1
17	Connector	1
17	1561559	Connector (2 Pin)	1
17	1484377	Plug	1
18	1310142	Terminal (Flasher) (L)	1
19	1310142	Terminal (Flasher) (+)	1
20	1310142	Terminal (Flasher) (-)	1
21	Connector (Display Light Harness)	1
21	1330438	Terminal (Socket)	4
21	1489656	Connector (4-Way)	1
21	1489657	Connector (Secondary Lock)	1
22	Connector (Display Harness)	1
22	1541991	Connector	1
22	1463141	Terminal (Socket)	7
22	1484377	Plug	1
22	1541992	Connector (Secondary Lock)	1
23	Connector (No Marker Light Switch)	1
23	1484564		
	1382308	Socket	1
23	1301230	Blade Conn-Fem	2
23	1655183	Terminal	2
24	Connector (Rear Work Light Switch)	1
24	1484564		
	1382308	Socket	1
24	1655183	Terminal	2
25	Connector DC-DC Converter	1
25	1554879	Connector	1
25	1682736	Terminal	2
25	1554877	Terminal	2
26	1509890	Clip	2
27	1306270	Terminal (ESD Hydraulic Tank)	1
28	275493	Conduit	AR
29	275494	Conduit	AR

WIRE HARNESS
MAIN-MANUAL-HYDRAULIC – PAGE 1 OF 2 (S/N A935B01915H →)

ITEM	PART NO.	DESCRIPTION	QTY
30	275496	Conduit	AR
31	275497	Conduit	AR
32	275495	Conduit	AR
	1673605	Wire Harness (Seat Jumper) (Seat Jumper)	1
33	1531973	Connector (Seat Sensor)	1
33	1463139	Terminal	5
33	1484377	Plug	1
33	1531974	Connector (Secondary Lock)	1
34	Connector (Seat Assembly)	1
34	1531973	Connector	1
34	1463139	Terminal	5
34	1484377	Plug	1
34	1531974	Connector (Secondary Lock)	1

WIRE HARNESS (FIGURE 2-20) MAIN-MANUAL-HYDRAULIC — PAGE 2 OF 2 (→ S/N A935B01914H)



BP080720

WIRE HARNESS
MAIN-MANUAL-HYDRAULIC – PAGE 2 OF 2 (→ S/N A935B01914H)

ITEM	PART NO.	DESCRIPTION	QTY
	2111691	Wire Harness (Main) (Manual)	1
1	1508353	Terminal Wire	1
2	1450957	E-Spade	1
3	1450957	E-Spade	1
4	1450957	E-Spade	1
5	Connector (Key Switch Relay)	1
5	Receptacle	1
5	1655184	Terminal	4
6	Connector (Back-up Light Relay)	1
6	2100204	Receptacle	1
6	1655184	Terminal	2
6	1655183	Terminal	2
7	Connector (Brake Light Relay)	1
7	2100204	Receptacle	1
7	1655183	Terminal	2
7	1655184	Terminal	2
8	Connector (Left Traction Motor Temperature Sensor)	1
8	1508206	Connector (2 Way)	1
8	1597839	Receptacle Contact 20-22 AWG (Terminal)	2
8	2060555	Wire Seal	2
9	Connector (Left Traction Speed Sensor)	1
9	1508211	Connector (4 Way)	1
9	1597839	Receptacle Contact 20-22 AWG (Terminal)	4
9	2060555	Wire Seal	4
10	1306270	Terminal (Main Controller Coil)	1
11	1306270	Terminal (Main Controller Coil)	1
12	129886	E-Ring (Main Contactor Battery)	1
13	Connector (Left Electric Brake)	1
13	1484557	Connector (2 Socket)	1
13	1463141	Terminal (Socket)	2
13	1484558	Connector (Secondary Lock) (Secondary Lock)	1
14	Connector (Vehicle System Manager)	1
14	2056243	Connector (35 Way)	1
14	1561019	
	2035276	Connector (Socket Female)	23
15	Connector (Vehicle System Manager)	1
15	1553094	Connector	1
15	1561019	
	2035276	Connector (Socket Female)	13
16	Connector (Accessory Jumper)	1
16	1525567	Connector	1
16	1463141	Terminal (Socket)	10
16	1484377	Plug	2
16	1529046	Connector (Secondary Lock)	1
17	Connector (Right Traction Motor Temperature System)	1
17	1508206	Connector (2 Way)	1
17	1597839	Receptacle Contact 20-22 AWG (Terminal)	2
17	2060555	Wire Seal	2
18	Connector (Right Electric Brake)	1
18	1484557	Connector (2 Socket)	1

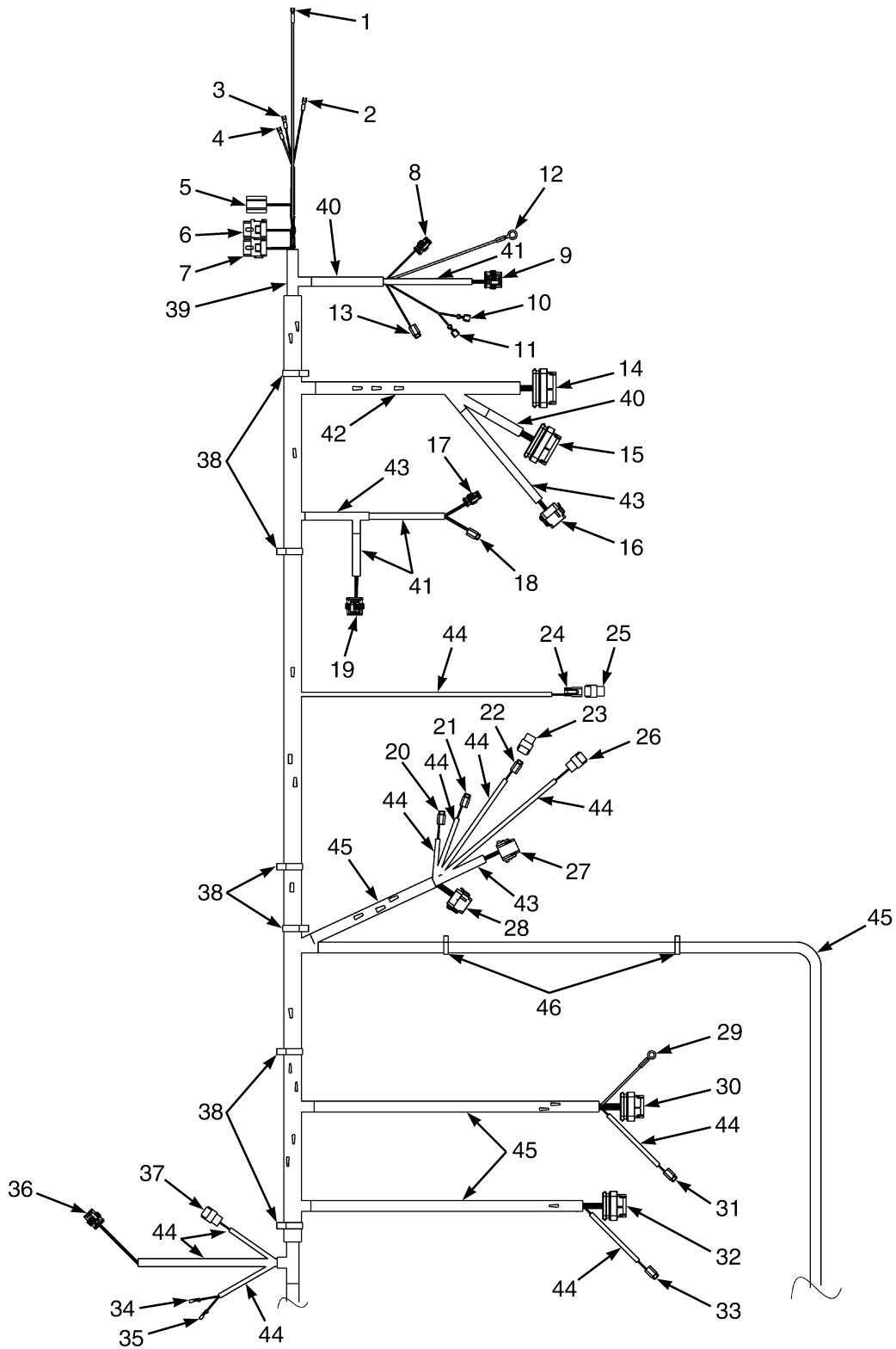
WIRE HARNESS
MAIN-MANUAL-HYDRAULIC – PAGE 2 OF 2 (→ S/N A935B01914H)

ITEM	PART NO.	DESCRIPTION	QTY
18	1463141	Terminal (Socket)	2
18	1484558	Connector (Secondary Lock) (Secondary Lock)	1
19	Connector (Right Traction Speed Sensor)	1
19	1508211	Connector (4 Way)	1
19	1597839	Receptacle Contact 20-22 AWG (Terminal)	4
19	2060555	Wire Seal	4
20	Connector (Spool Interlock Solenoid 1)	1
20	1484557	Connector (2 Socket)	1
20	1463141	Terminal (Socket)	2
20	1484558	Connector (Secondary Lock) (Secondary Lock)	1
21	Connector (Spool Interlock Solenoid 2)	1
21	1484557	Connector (2 Socket)	1
21	1463141	Terminal (Socket)	2
21	1484558	Connector (Secondary Lock) (Secondary Lock)	1
22	Connector (Clamp Interlock Coil)	1
22	1484557	Connector (2 Socket)	1
22	1463141	Terminal (Socket)	2
22	1484558	Connector (Secondary Lock) (Secondary Lock)	1
24	1490242	Connector (2 Way) (Battery Gate Magnetic Switch)	1
24	1597773	Terminal	2
24	1490243	Connector (Secondary Lock) (Secondary Lock)	1
25	Connector	1
25	1493465	Connector (2 Pin)	1
25	1330439	Plug	2
26	Connector (Left Pressure Sensor)	1
26	1525595	Connector	1
26	1525596	Terminal	3
26	1533810	Seal	3
27	Connector (To Manual Hydraulic)	1
27	1330423	Connector (8 Socket)	1
27	1597773	Terminal	8
27	1330429	Connector (Secondary Lock)	1
28	Connector (Manual Hydraulic Spool Position Sensor)	1
28	1525567	Connector	1
28	1463141	Terminal (Socket)	12
28	1529046	Connector (Secondary Lock)	1
29	148611	E-Ring	1
30	Connector (Right Traction Motor Controller)	1
30	2035275	Connector	1
30	1561019
	2035276	Connector (Socket Female)	12
31	Connector (Right Controller Cooling Fan)	1
31	1484557	Connector (2 Socket)	1
31	1463141	Terminal (Socket)	2
31	1484558	Connector (Secondary Lock) (Secondary Lock)	1
32	Connector (Left Traction Motor Controller)	1
32	2035275	Connector	1
32	1561019
	2035276	Connector (Socket Female)	14
33	Connector	1

WIRE HARNESS
MAIN-MANUAL-HYDRAULIC – PAGE 2 OF 2 (→ S/N A935B01914H)

ITEM	PART NO.	DESCRIPTION	QTY
33	1484557	Connector (2 Socket) (Left Controller Cooling Fan)	1
33	1463141	Terminal (Socket)	2
33	1484558	Connector (Secondary Lock) (Secondary Lock)	1
34	1324310	Terminal (Brake Floor Level Sensor)	1
35	1324310	Terminal (Brake Floor Level Sensor)	1
36	Connector (Horn Assembly)	1
36	1547629	Connector (3 Way)	1
36	1508232	Terminal (Pin)	3
36	2060555	Wire Seal	3
37	Connector (Service Brake Sensor)	1
37	1525595	Connector	1
37	1525596	Terminal	3
37	1533810	Seal	3
38	1534282	Clip	6
39	1509890	Clip	2

WIRE HARNESS (FIGURE 2-21) MAIN-MANUAL-HYDRAULIC — PAGE 2 OF 2 (S/N A935B01915H →)



BP081276

WIRE HARNESS
MAIN-MANUAL-HYDRAULIC – PAGE 2 OF 2 (S/N A935B01915H →)

ITEM	PART NO.	DESCRIPTION	QTY
	2111691	Wire Harness (Main) (Manual)	1
1	1508353	Terminal Wire	1
2	1450957	E-Spade	1
3	1450957	E-Spade	1
4	1450957	E-Spade	1
5	Connector Assembly (Key Switch Relay)	1
5	1377860	Connector	1
5	4001753	Terminal	2
5	1706004	Terminal	2
6	Connector Assembly (Back-up Light Relay)	1
6	2100204	Receptacle	1
6	1655184	Terminal	2
6	1655183	Terminal	2
7	Connector Assembly (Brake Light Relay)	1
7	2100204	Receptacle	1
7	1655183	Terminal	2
7	1655184	Terminal	2
8	Connector Assembly (Left Traction Motor Temperature Sensor)	1
8	1508206	Connector (2 Way)	1
8	1597839	Receptacle Contact 20-22 AWG (Terminal)	2
8	2060555	Wire Seal	2
9	Connector Assembly (Left Traction Speed Sensor)	1
9	1508211	Connector (4 Way)	1
9	1597839	Receptacle Contact 20-22 AWG (Terminal)	4
9	2060555	Wire Seal	4
10	1306270	Terminal (Main Controller Coil)	1
11	1306270	Terminal (Main Controller Coil)	1
12	129886	E-Ring (Main Contactor Battery)	1
13	Connector Assembly (Left Electric Brake)	1
13	1484557	Connector (2 Socket)	1
13	1463141	Terminal (Socket)	2
13	1484558	Connector (Secondary Lock) (Secondary Lock)	1
14	Connector Assembly (Vehicle System Manager)	1
14	2056243	Connector (35 Way)	1
14	1561019	
	2035276	Connector (Socket Female)	23
15	Connector Assembly (Vehicle System Manager)	1
15	1553094	Connector	1
15	1561019	
	2035276	Connector (Socket Female)	13
16	Connector Assembly (Accessory Jumper)	1
16	1525567	Connector	1
16	1463141	Terminal (Socket)	10
16	1484377	Plug	2
16	1529046	Connector (Secondary Lock)	1
17	Connector Assembly (Right Traction Motor Temperature System)	1
17	1508206	Connector (2 Way)	1
17	1597839	Receptacle Contact 20-22 AWG (Terminal)	2
17	2060555	Wire Seal	2
18	Connector Assembly (Right Electric Brake)	1

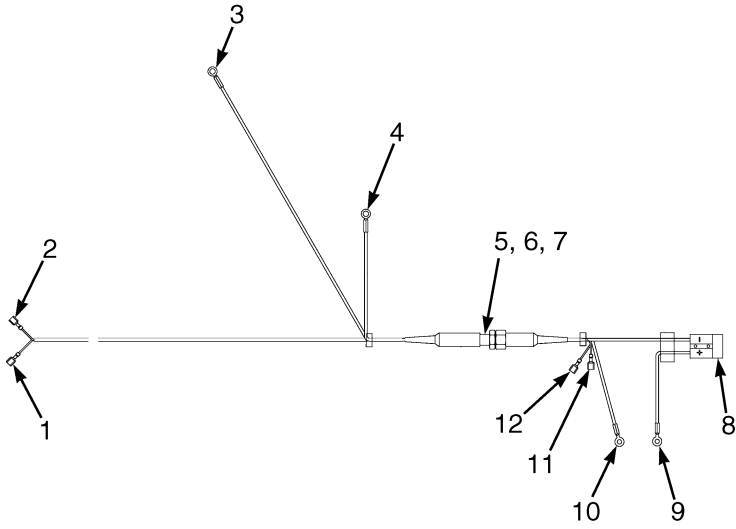
WIRE HARNESS
MAIN-MANUAL-HYDRAULIC – PAGE 2 OF 2 (S/N A935B01915H →)

ITEM	PART NO.	DESCRIPTION	QTY
18	1484557	Connector (2 Socket)	1
18	1463141	Terminal (Socket)	2
18	1484558	Connector (Secondary Lock) (Secondary Lock)	1
19	Connector Assembly (Right Traction Speed Sensor)	1
19	1508211	Connector (4 Way)	1
19	1597839	Receptacle Contact 20-22 AWG (Terminal)	4
19	2060555	Wire Seal	4
20	Connector Assembly (Spool Interlock Solenoid 1)	1
20	1484557	Connector (2 Socket)	1
20	1463141	Terminal (Socket)	2
20	1484558	Connector (Secondary Lock) (Secondary Lock)	1
21	Connector Assembly (Spool Interlock Solenoid 2)	1
21	1484557	Connector (2 Socket)	1
21	1463141	Terminal (Socket)	2
21	1484558	Connector (Secondary Lock) (Secondary Lock)	1
22	Connector Assembly (Clamp Interlock Coil)	1
22	1484557	Connector (2 Socket)	1
22	1463141	Terminal (Socket)	2
22	1484558	Connector (Secondary Lock) (Secondary Lock)	1
24	1490242	Connector (2 Way) (Battery Gate Magnetic Switch)	1
24	1597773	Terminal	2
24	1490243	Connector (Secondary Lock) (Secondary Lock)	1
25	Connector Assembly	1
25	1493465	Connector (2 Pin)	1
25	1330439	Plug	2
26	Connector Assembly (Left Pressure Sensor)	1
26	1525595	Connector	1
26	1525596	Terminal	3
26	1533810	Seal	3
27	Connector Assembly (To Manual Hydraulic)	1
27	1330423	Connector (8 Socket)	1
27	1597773	Terminal	8
27	1330429	Connector (Secondary Lock)	1
28	Connector Assembly (Manual Hydraulic Spool Position Sensor)	1
28	1525567	Connector	1
28	1463141	Terminal (Socket)	12
28	1529046	Connector (Secondary Lock)	1
29	148611	E-Ring	1
30	Connector Assembly (Right Traction Motor Controller)	1
30	2035275	Connector	1
30	1561019
30	2035276	Connector (Socket Female)	12
31	Connector Assembly (Right Controller Cooling Fan)	1
31	1484557	Connector (2 Socket)	1
31	1463141	Terminal (Socket)	2
31	1484558	Connector (Secondary Lock) (Secondary Lock)	1
32	Connector Assembly (Left Traction Motor Controller)	1
32	2035275	Connector	1
32	1561019
32	2035276	Connector (Socket Female)	14

WIRE HARNESS
MAIN-MANUAL-HYDRAULIC – PAGE 2 OF 2 (S/N A935B01915H →)

ITEM	PART NO.	DESCRIPTION	QTY
33	Connector Assembly	1
33	1484557	Connector (2 Socket) (Left Controller Cooling Fan)	1
33	1463141	Terminal (Socket)	2
33	1484558	Connector (Secondary Lock) (Secondary Lock)	1
34	1324310	Terminal (Brake Floor Level Sensor)	1
35	1324310	Terminal (Brake Floor Level Sensor)	1
36	Connector Assembly (Horn Assembly)	1
36	1547629	Connector (3 Way)	1
36	1508232	Terminal (Pin)	3
36	2060555	Wire Seal	3
37	Connector Assembly (Service Brake Sensor)	1
37	1525595	Connector	1
37	1525596	Terminal	3
37	1533810	Seal	3
38	1534282	Clip	6
39	275496	Conduit	AR
40	275495	Conduit	AR
41	275493	Conduit	AR
42	275497	Conduit	AR
43	275494	Conduit	AR
44	1655195	Conduit	AR
45	275496	Conduit	AR
46	1509890	Clip	2

WIRE HARNESS (FIGURE 2-22) HEATER

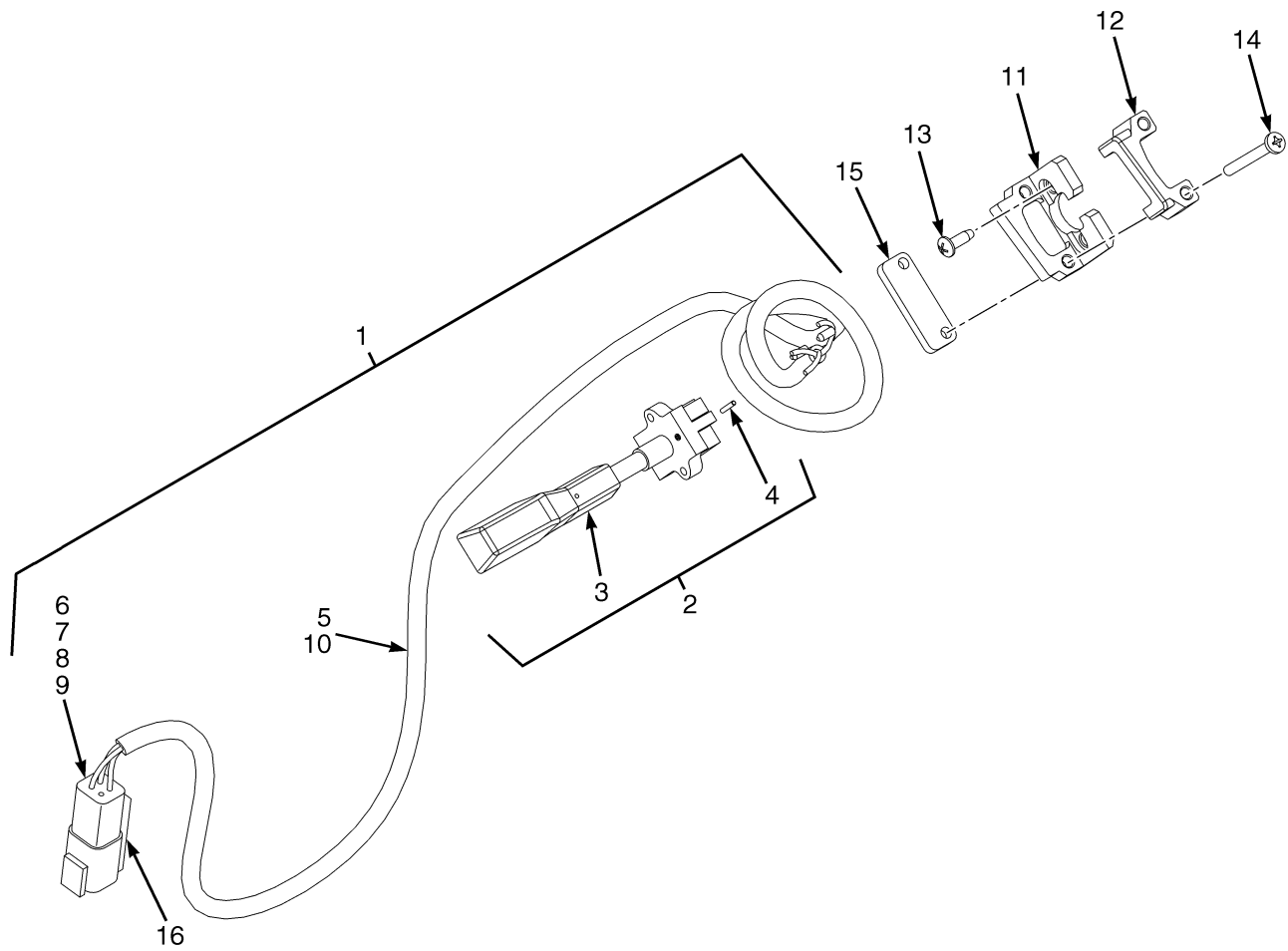


BP080973

**WIRE HARNESS
HEATER**

ITEM	PART NO.	DESCRIPTION	QTY
	2110287	Wire Harness (Heater)	1
1	1402849	Connector Body (Line Contactor Coil)	1
2	1402849	Connector Body (Line Contactor Coil)	1
3	148611	E-Ring (B- AC Pump Controller)	1
4	148611	E-Ring (B+ AC Pump Controller)	1
5	Fuse Holder Assembly	1
5	1303077	Fuse Holder (Fuse Holder)	1
6	1704494	Fuse	1
7	1704495	Insulator (Fuse Holder)	1
8	1704828	Connector (Heater)	1
9	129888	E-Ring (Heater Contactor)	1
10	129888	E-Ring (Heater Contactor)	1
11	1402849	Connector Body (Heater Contactor Coil)	1
12	1402849	Connector Body (Heater Contactor Coil)	1

WIRE HARNESS (FIGURE 2-23) TURN SIGNAL



BP080845

**WIRE HARNESS
TURN SIGNAL**

ITEM	PART NO.	DESCRIPTION	QTY
1	2111180	Switch Assembly (Turn Signal)	1
2	1705202	Switch (Assembly)	1
3	1704652	Switch	1
4	221904	Roll Pin	1
5	2095405	Wire Harness (Turn Signal)	1
6	1463184	Connector	1
7	1463193	Connector (Secondary Lock)	1
8	1463138	Terminal Pin	1
9	1484377	Plug	1
10	275493	Conduit	1
11	1702594	Bracket (Turn Signal)	1
12	1702593	Bracket (Guide)	1
13	227147	Self Tapping Screw	2
14	b 302026	Screw	2
14	c 302027	Screw	2
15	c 1702595	Spacer (Turn Signal)	1
16	1500912	Clip	1
	a 222029	Rivet	1

FOOTNOTES:

a Not Illustrated

b With Fixed Column

c With Telescopic Column

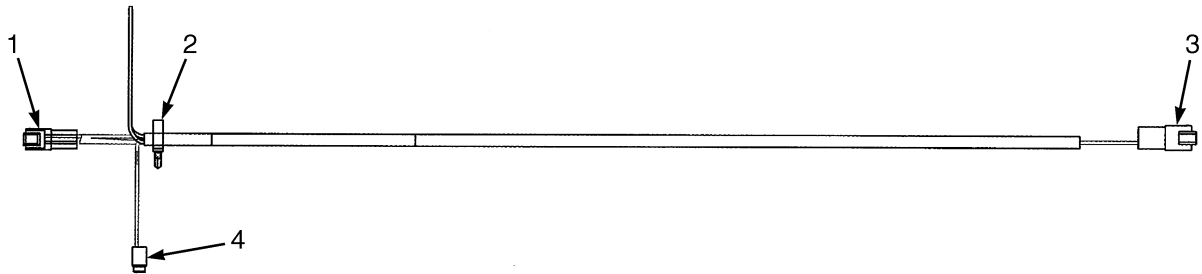
WIRE HARNESS (FIGURE 2-24) MANUAL INTERLOCK



BP080908

ITEM	PART NO.	DESCRIPTION	QTY
	2100705	Wire Harness (Manual Interlock)	1
1	1671887	Push Button Switch (Included with Manual Interlock Wire Harness)	1
2	Connector Assembly (Main Harness)	1
2	1561559	Connector (2 Pin)	1
2	1561755	Connector (Secondary Lock)	1

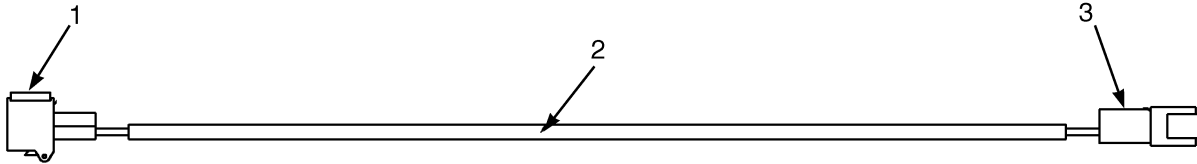
**WIRE HARNESS (FIGURE 2-25)
MANUAL HYDRAULICS**



BP080297

ITEM	PART NO.	DESCRIPTION	QTY
	2107661	Wire Harness (Emergency Disconnect)	1
1	Connector Assembly (Forward / Reverse Switch)	1
1	1463140	Terminal (Pin)	4
1	1463193	Connector	1
1	1532904	Connector	1
2	1402815	Clip	1
3	Connector Assembly (To Main Harness)	1
3	1330413	Connector (8 Pin)	1
3	1330418	Connector (Secondary Lock)	1
3	1463140	Terminal (Pin)	8
4	Connector Assembly (Clamp Coil Switch)	1
4	1463141	Terminal (Socket)	2
4	1484558	Connector (Secondary Lock)	1
4	1484557	Connector (2 Socket)	1

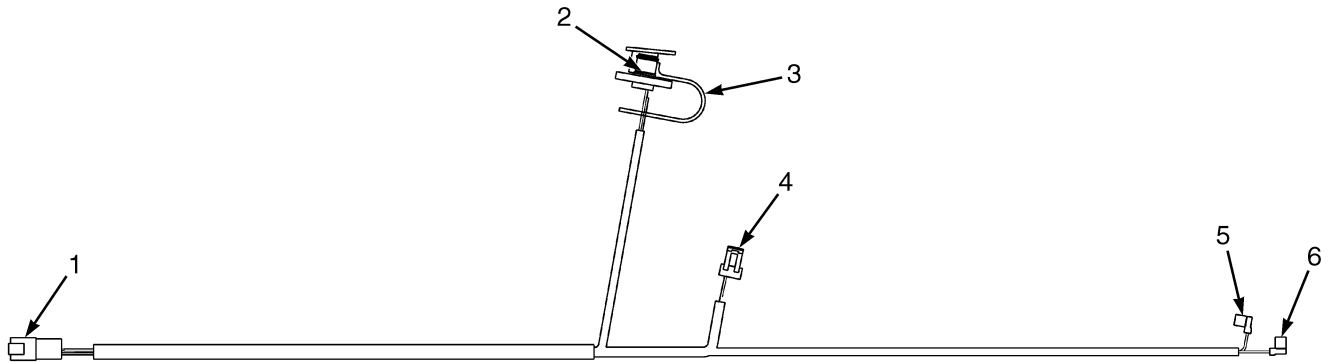
WIRE HARNESS (FIGURE 2-26) SYNCHRONOUS STEERING



BP080756

ITEM	PART NO.	DESCRIPTION	QTY
	2105365	Wire Harness (Synchronous Steering)	1
1	Connector Assembly (To Steer Make-Up Valve)	1
1	1627833	Connector	1
1	1561755	Connector (Secondary Lock)	1
1	1402814	Terminal	2
1	1562649	Seal	2
2	1655195	Conduit	AR
3	Connector Assembly (To Main Harness)	1
3	1561559	Connector (2 Pin)	1
3	1463138	Terminal Pin	2

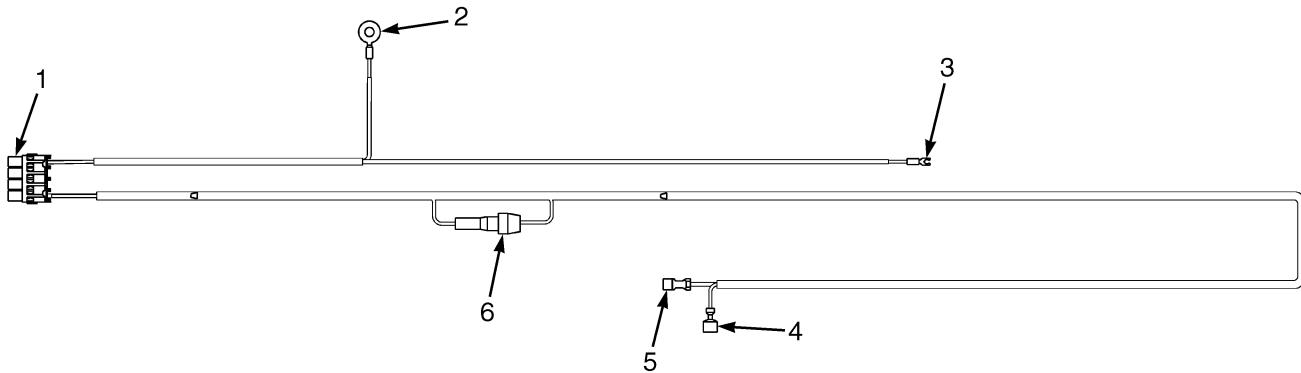
**WIRE HARNESS (FIGURE 2-27)
STEER COLUMN**



BP080923

ITEM	PART NO.	DESCRIPTION	QTY
	2107656	Wire Harness (Steer Column)	1
1	Connector Assembly (To Main Harness)	1
1	1541988	Connector (8 Pin)	1
1	1541989	Connector (Secondary Lock)	1
1	1463140	Terminal (Pin)	7
2	Connector Assembly (Diagnostic Connection)	1
2	1566116	Connector	1
2	1532664	Connector (Secondary Lock)	1
2	1597773	Terminal	3
3	1566117	Dust Cap	1
3	1463849	Lubricant	AR
4	Connector Assembly (Steer Wheel Position Sensor)	1
4	1673825	Connector	1
4	1673826	Terminal	3
5	Connector Assembly (Horn Switch C)	1
5	2107952	Terminal	1
6	Connector Assembly (Horn Switch NO)	1
6	2107952	Terminal	1

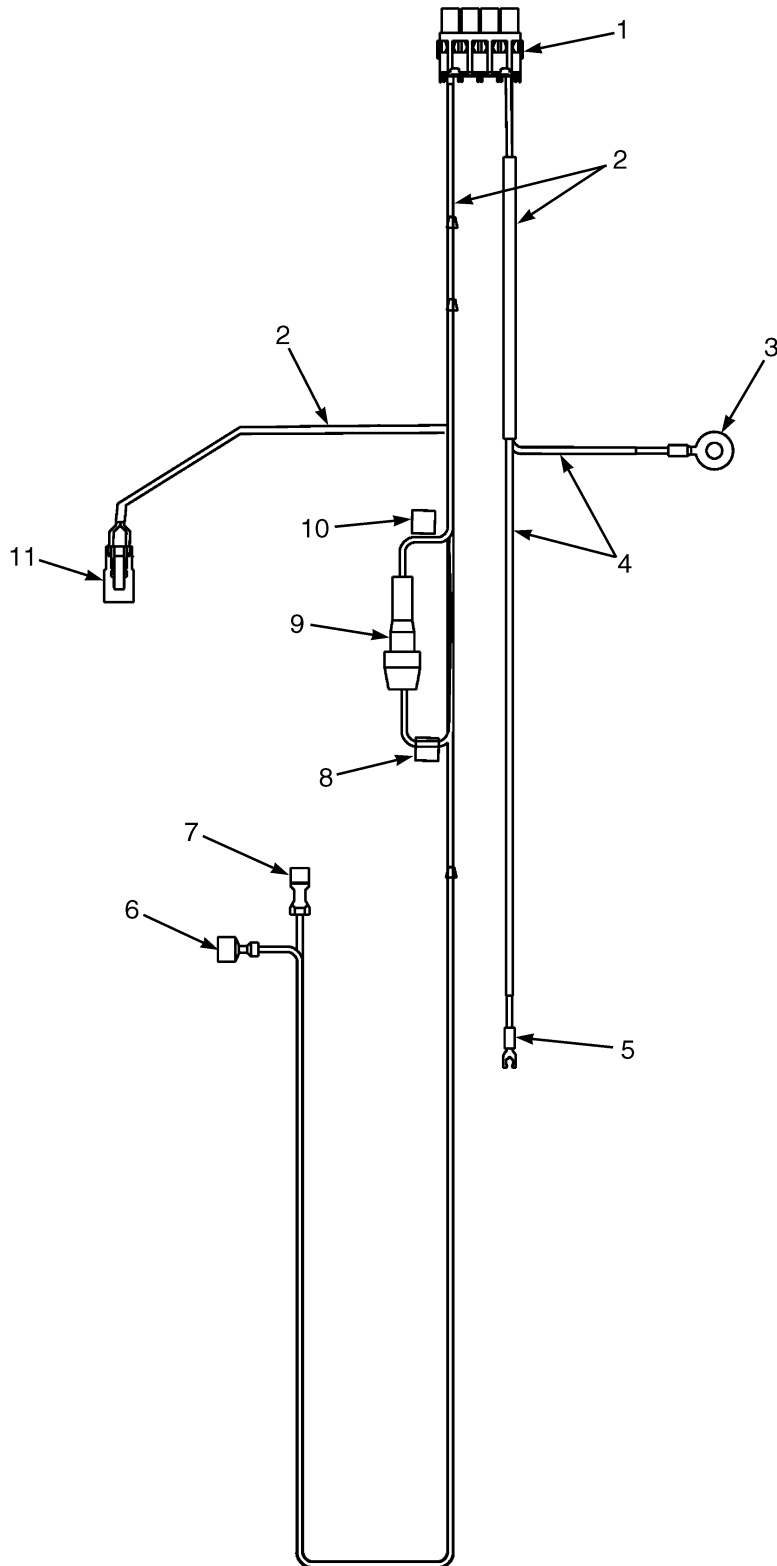
WIRE HARNESS (FIGURE 2-28)
DC CONVERTER (→ PENDING PER ECN 13416125)



BP080925

ITEM	PART NO.	DESCRIPTION	QTY
	2111100	Wire Harness Assembly (DC Converter)	1
1	Connector Assembly (To DC-DC Converter)	1
1	1554879	Connector	1
1	1554877	Terminal	1
1	1682736	Terminal	3
2	Connector Assembly (B- Cont.)	1
2	1493458	E-Ring	1
3	Connector Assembly (FU3 LD)	1
3	1499668	E-Ring	1
4	Connector Assembly (12v Access)	1
4	1521309	Connector Body	1
5	Connector Assembly (12v Access)	1
5	1655181	Terminal	1
6	Inline Fuse Holder (To Main Branch)	1
6	2033694	Fuse Holder	1
6	314878	Fuse (15 Amp)	1

WIRE HARNESS (FIGURE 2-29) DC CONVERTER (PENDING PER ECN 13416125 →)

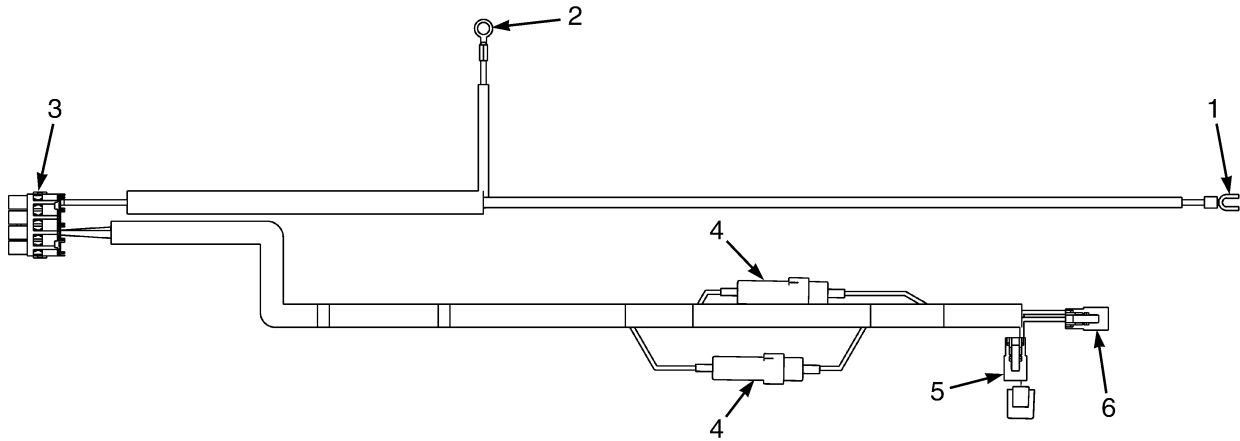


BP081119

WIRE HARNESS
DC CONVERTER (PENDING PER ECN 13416125 →)

ITEM	PART NO.	DESCRIPTION	QTY
	4610995 (DC Converter)	1
1	Connector Assembly (To DC-DC Converter)	1
1	1554879	Connector	1
1	1554877	Terminal	1
1	1682736	Terminal	3
2	275495	Conduit	AR
3	Connector Assembly (B- Cont.)	1
3	1493458	E-Ring	1
4	1697181	Conduit	AR
5	Connector Assembly (FU3 LD)	1
5	1499668	E-Ring	1
6	Connector Assembly (12v Access)	1
6	1521309	Connector Body	1
7	Connector Assembly (12v Access)	1
7	1655181	Terminal	1
8	4002298	Label (Fuse Warning-Risk of Fire)	1
9	Inline Fuse Holder (To Main Branch)	1
9	2033694	Fuse Holder	1
9	314878	Fuse (15 Amp)	1
10	4002297	Label (Fuse Warning-Amp/Volt)	1
11	Connector Assembly (Access Harness)	1
11	1330419	Connector	1
11	1330436	Terminal	2
11	1330424	Connector (Secondary Lock)	1

WIRE HARNESS (FIGURE 2-30) DC/DC CONVERTER — ALTERNATE PART



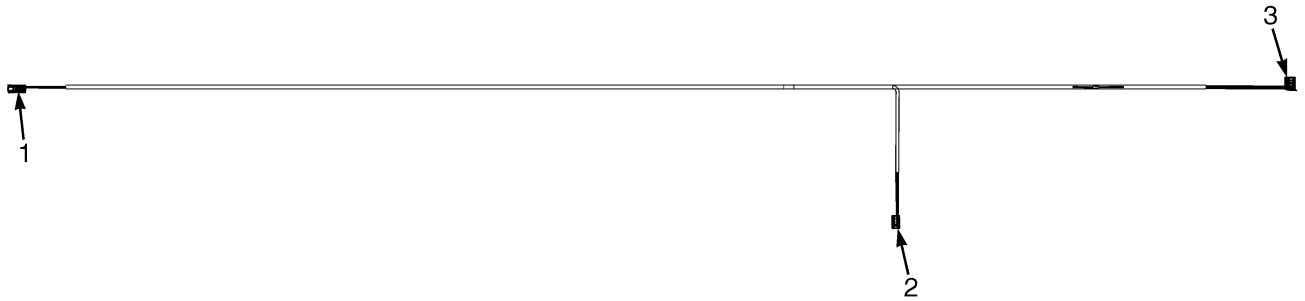
BP081326

ITEM	PART NO.	DESCRIPTION	QTY
	4620807	Wire Harness (DC/DC Converter)	1
1	1301784	E-Spade	1
2	148606	E-Ring	1
3	Connector Assembly (DC/DC Converter)	1
3	1682736	Terminal	2
3	1554879	Connector	1
3	1554877	Terminal	2
4	4002299	Fuse Holder	2
4	314878	Fuse (15 Amp)	2
5	Connector Assembly (ACC)	1
5	1330419	Connector	1
5	1626727	Connector	1
5	1330438	Terminal (Socket)	2
5	1330424	Connector (Secondary Lock)	1
6	Connector Assembly (ACC)	1
6	1330419	Connector	1
6	1330424	Connector (Secondary Lock)	1
6	1330438	Terminal (Socket)	2
	a 4002298	Label (Fuse Warning-Risk of Fire)	2
	a 4002297	Label (Fuse Warning-Amp/Volt)	2

FOOTNOTES:

a Not Illustrated

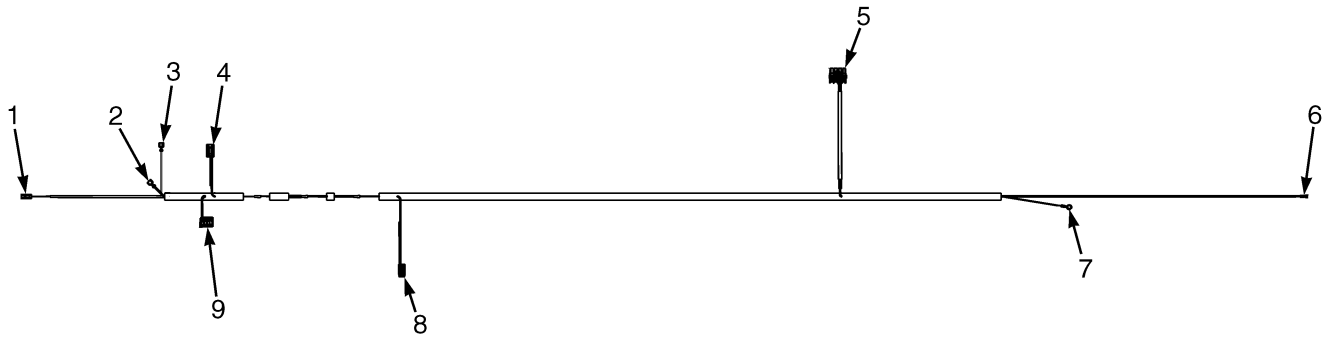
**WIRE HARNESS (FIGURE 2-31)
REAR WIPER**



BP080972

ITEM	PART NO.	DESCRIPTION	QTY
	2110637	Wire Harness	1
1	Connector Assembly (Front Wire Harness)	1
1	1463180	Connector	1
1	1463138	Terminal Pin	3
1	1463191	Connector (Secondary Lock)	1
2	Connector Assembly (Rear Wiper Motor)	1
2	1330421	Connector (4 Soc)	1
2	1330434	Terminal	4
2	1330427	Connector (Secondary Lock) (Secondary Lock)	1
3	Connector Assembly (Rear Wiper Switch)	1
3	4484564
	1382308	Socket	1
3	233141	Terminal	5

WIRE HARNESS (FIGURE 2-32) CAB ACCESSORY



BP080974

ITEM	PART NO.	DESCRIPTION	QTY
	2107405	Wire Harness	1
1	Connector Assembly (Wiper Washer Pump)	1
1	1308259	Connector Body	1
1	314775	Terminal	2
2	1521309	Connector Body (12V_Access Supply)	1
3	1521309	Connector Body (12V_Access Supply)	1
4	Connector Assembly (Front Wiper Motor)	1
4	1330421	Connector (4 Soc)	1
4	1330434	Terminal	4
4	1330427	Connector (Secondary Lock) (Secondary Lock)	1
5	Connector Assembly (12V DC Convertor)	1
5	1554879	Connector	1
5	1682736	Terminal	4
6	1499668	E-Ring (B+ Terminal Block 10A Fuse)	1
7	148606	E-Ring (B- LH Traction Controller)	1
8	Connector Assembly (Rear Wire Harness)	1
8	1493462	Connector	1
8	1463139	Terminal	3
8	1493464	Connector (Secondary Lock) (Secondary Lock)	1
9	Connector Assembly (Front Wiper Switch)	1
9	4484564
	1382308	Socket	1
9	233141	Terminal	5

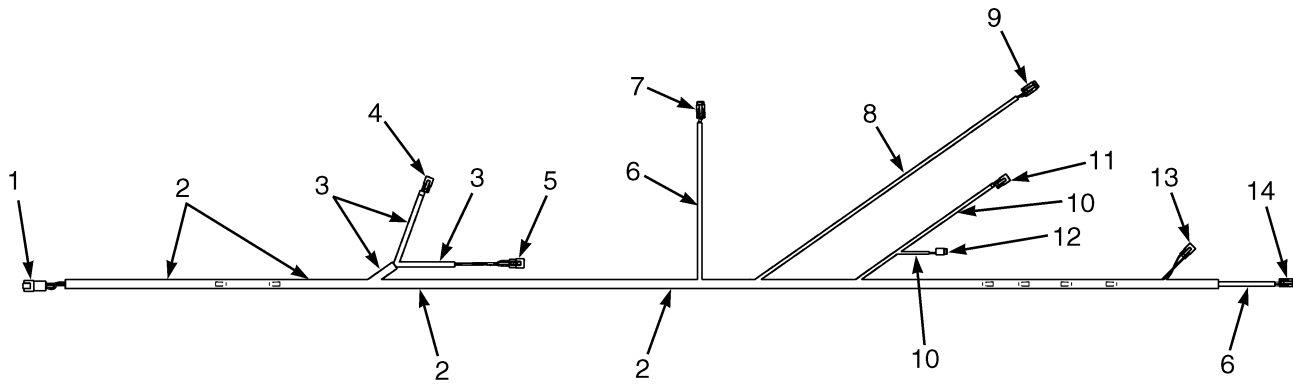
**WIRE HARNESS (FIGURE 2-33)
HYDRAULIC FLUID LEVEL AND PRESSURE**



BP080975

ITEM	PART NO.	DESCRIPTION	QTY
	2099306	Wire Harness	1
1	Connector Assembly (Main Harness)	1
1	1530960	Connector	1
1	1463141	Terminal (Socket)	5
1	1530961	Connector (Secondary Lock)	1
1	1484377	Plug	1
2	Connector Assembly (Hydraulic Fluid Level Sensor)	1
2	1476067	Connector	1
2	1330355	Terminal	3
2	1476109	Connector Lock	1
2	1476108	Wire Seal	3
3	1697181	Conduit	AR
4	Connector Assembly (Hydraulic Fluid Pressure Switch)	1
4	1329152	Plug	1
4	1330281	Terminal	2
4	1402888	Seal	2
4	1329151	Terminal	1

WIRE HARNESS (FIGURE 2-34) LIGHTS WITH OVERHEAD GUARD

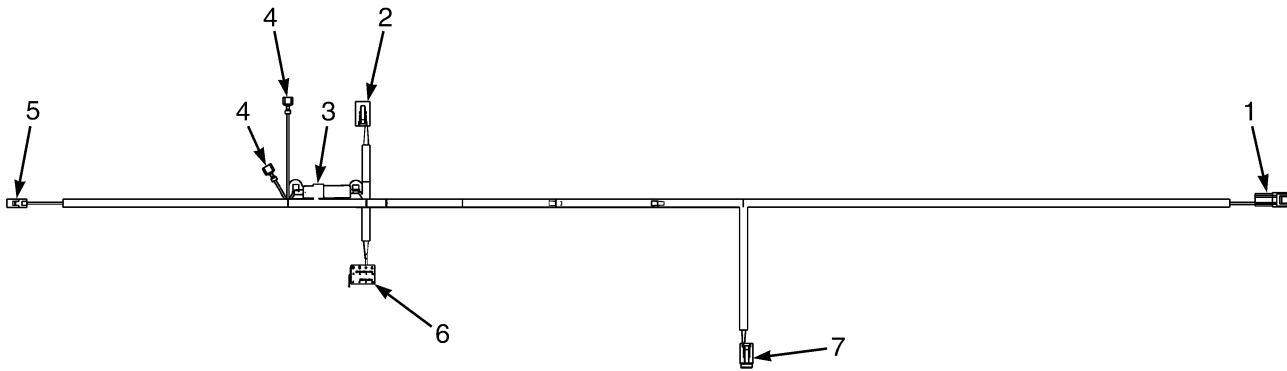


BP081110

**WIRE HARNESS
LIGHTS WITH OVERHEAD GUARD**

ITEM	PART NO.	DESCRIPTION	QTY
	2096575	Wire Harness	1
1	Connector Assembly (To Main Wire Harness)	1
1	1623280	Connector	1
1	1463138	Terminal Pin	10
1	1463140	Terminal (Pin)	1
1	1484377	Plug	1
1	1623281	Connector (Secondary Lock)	1
2	275496	Conduit	AR
3	275493	Conduit	AR
4	Connector Assembly (To Left Front Work Light)	1
4	1490242	Connector (2 Way)	1
4	1330438	Terminal (Socket)	2
4	1490243	Connector (Secondary Lock) (Secondary Lock)	1
5	Connector Assembly (To Left Front Marker Light)	1
5	1484397	Connector (3-Way)	1
5	1330438	Terminal (Socket)	3
5	1463194	Connector (Secondary Lock) (Secondary Lock)	1
6	275494	Conduit	AR
7	Connector Assembly (To Left Rear Light Assembly)	1
7	1531973	Connector	1
7	1484377	Plug	1
7	1463139	Terminal	5
7	1531974	Connector (Secondary Lock)	1
8	1655195	Conduit	AR
9	Connector Assembly (To Dome Light)	1
9	1493462	Connector	1
9	1463139	Terminal	2
9	1484377	Plug	1
9	1493464	Connector (Secondary Lock) (Secondary Lock)	1
10	275493	Conduit	AR
11	Connector Assembly (To Rear Work Light)	1
11	1490242	Connector (2 Way)	1
11	1330438	Terminal (Socket)	2
11	1490243	Connector (Secondary Lock) (Secondary Lock)	1
12	Connector Assembly (To Rear Strobe Light)	1
12	1484557	Connector (2 Socket)	1
12	1463141	Terminal (Socket)	2
12	1484558	Connector (Secondary Lock) (Secondary Lock)	1
13	Connector Assembly (To Back Up Alarm)	1
13	1490242	Connector (2 Way)	1
13	1330438	Terminal (Socket)	2
13	1490243	Connector (Secondary Lock) (Secondary Lock)	1
14	Connector Assembly (To Right Rear Light Assembly)	1
14	1531973	Connector	1
14	1531974	Connector (Secondary Lock)	1
14	1463139	Terminal	5
14	1484377	Plug	1

WIRE HARNESS (FIGURE 2-35) CAB ACCESSORY — ALTERNATE PART



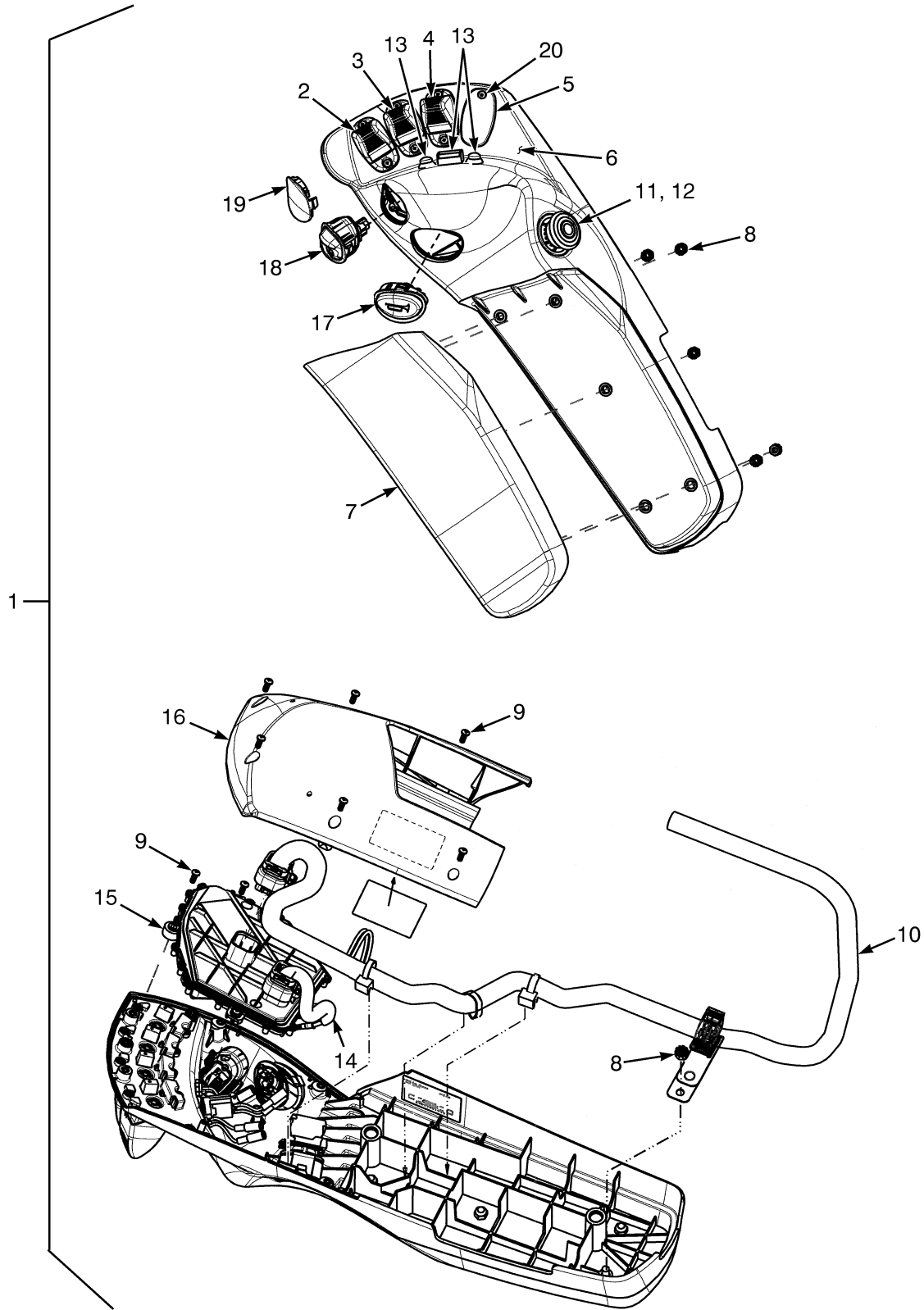
BP081327

ITEM	PART NO.	DESCRIPTION	QTY
	4620176	Wire Harness (Cab Accessories)	1
1	Connector Assembly (DC Converter)	1
1	1493465	Connector (2 Pin)	1
1	1330414	Connector (Secondary Lock)	1
1	1363886	Terminal (Socket)	2
2	Connector Assembly (Front Wiper Motor)	1
2	1330421	Connector (4 Soc)	1
2	1330427	Connector (Secondary Lock)	1
2	1330438	Terminal (Socket)	2
3	4002299	Fuse Holder	1
3	314878	Fuse (15 Amp)	1
4	1521309	Connector Body	2
5	Connector Assembly (Wiper Washer Pump)	1
5	1308259	Connector Body	1
5	314775	Terminal	2
6	Connector Assembly (Front Wiper Switch)	1
6	4484564
	1382308	Socket	1
6	1655187	Terminal	5
7	Connector Assembly (Rear Wire Harness)	1
7	1493462	Connector	1
7	1493464	Connector (Secondary Lock)	1
7	1463139	Terminal	3
	a 4002297	Label (Fuse Warning-Amp/Volt)	1
	a 4002298	Label (Fuse Warning-Risk of Fire)	1

FOOTNOTES:

- a** Not Illustrated

MINI-LEVER CONTROLS (FIGURE 2-36) 3 FUNCTION



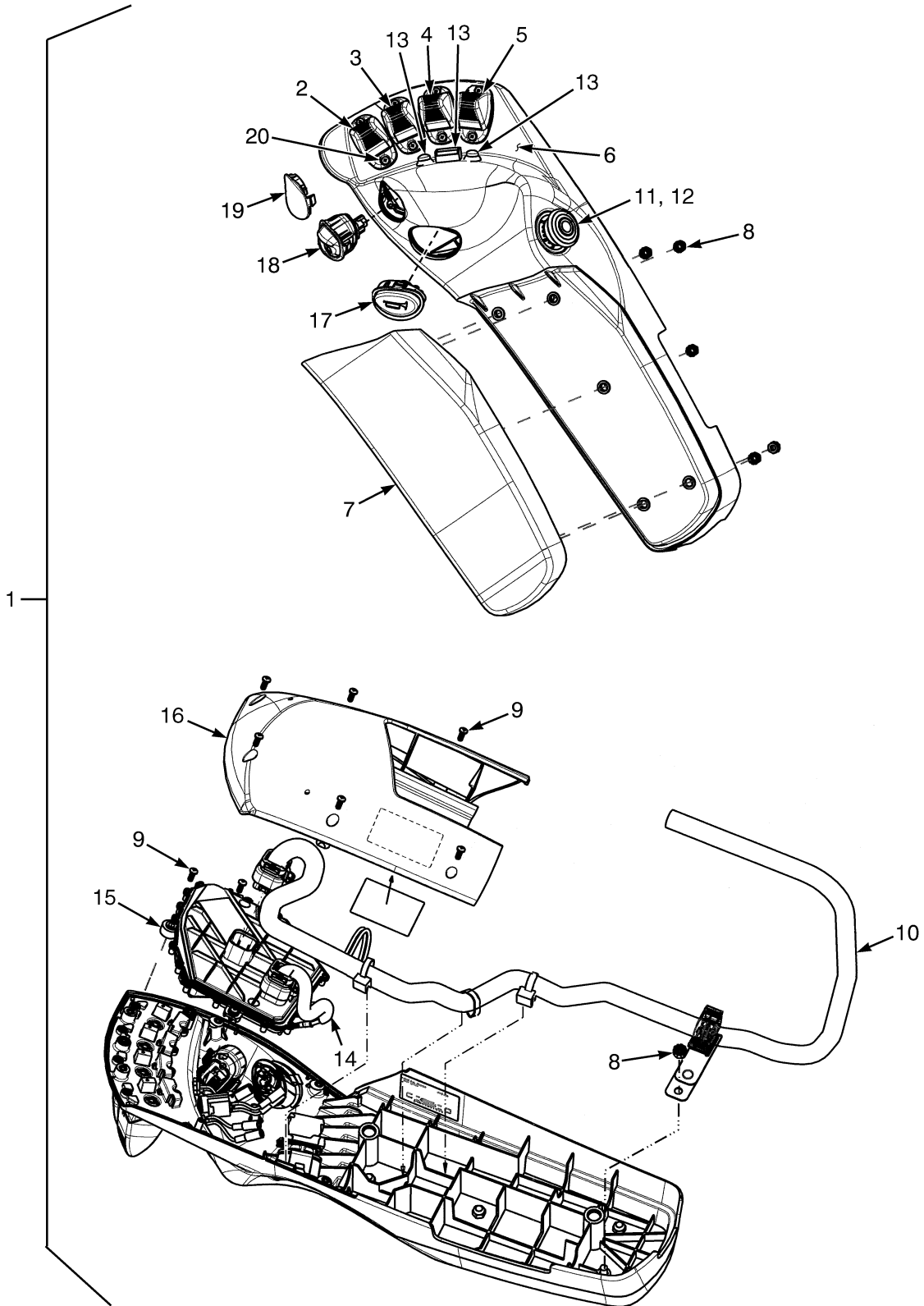
BP080936

**MINI-LEVER CONTROLS
3 FUNCTION****KEY:****A: Without Directional Control Switch****B: With Directional Control Switch****C: Without Directional Control Switch, With RTST****D: With Directional Control Switch, With RTST**

ITEM	PART NO.	DESCRIPTION	QTY			
			A	B	C	D
1	2108514	Mini-Lever Assembly	1
1	2108517	Mini-Lever Assembly	1
1	2108499	Mini-Lever Assembly	1	..
1	2108505	Mini-Lever Assembly	1
2	Lever Position 1	1	1	1	1
2	2110791	Lever (Single Function)	1	1	1	1
3	Lever Position 2	1	1	1	1
3	2110791	Lever (Single Function)	1	1
3	2110793	Lever (With Override)	1	1
4	Lever Position 3	1	1	1	1
4	2110791	Lever (Single Function)	1	1	1	1
5	Lever Position 4	1	1	1	1
5	2108249	Plug	1	1	1	1
6	2111799	Armrest (Without Push Buttons)	1	1
6	4603439	Armrest (With Push Buttons)	1	1
7	2111769	Cushion (Armrest)	1	1	1	1
8	1709587	Nut	5	5	5	5
9	1703513	Screw	9	9	9	9
10	2111801	Wire Harness	1	1	1	1
11	2111768	Switch (E-Stop) (Emergency Switch)	1	1	1	1
12	2107320	Push Button Switch	1	1	1	1
13	1704528	Push Button (Position 2)	1	1
13	ab 1705359	Cover (Push Button)	AR	AR	AR	AR
14	1704529	Wire Harness (Forward/Reverse Switch in the MLM module)	1	1
15	2111802
	4605337	Printed Circuit Board	1	1	1	1
16	2111800	Cover (Bottom Armrest)	1	1	1	1
17	2111770	Horn Button	1	1	1	1
18	2110943	Switch (Directional Control)	1	..	1
19	2110942	Plug (Directional Control Switch)	1	..	1	..
20	1698449	Capscrew	8	8	8	8

FOOTNOTES:**a** Not Illustrated**b** Plug for Use Without Push Button

MINI-LEVER CONTROLS (FIGURE 2-37) 4 FUNCTION



BP080844

**MINI-LEVER CONTROLS
4 FUNCTION****KEY:****A: Without Directional Control Switch****B: With Directional Control Switch****C: Without Directional Control Switch, With RTST****D: With Directional Control Switch, With RTST**

ITEM	PART NO.	DESCRIPTION	QTY			
			A	B	C	D
1	2108497	Mini-Lever Assembly	1
1	d 2108498	Mini-Lever Assembly	1
1	2108502	Mini-Lever Assembly	1
1	d 2108504	Mini-Lever Assembly	1
1	2108516	Mini-Lever Assembly	1	..
1	d 2108501	Mini-Lever Assembly	1	..
1	2108518	Mini-Lever Assembly	1
1	d 2108506	Mini-Lever Assembly	1
2	Lever Position 1	1	1	1	1
2	2110791	Lever (Single Function)	1	1	1	1
3	Lever Position 2	1	1	1	1
3	2110791	Lever (Single Function)	1	1
3	2110793	Lever (With Override)	1	1
4	Lever Position 3	1	1	1	1
4	2110791	Lever (Single Function)	1	1	1	1
5	Lever Position 4	1	1	1	1
5	2110791	Lever (Single Function)	1	1
5	2110792	Lever (Clamping)	1	1
6	e 2111799	Armrest (Without Push Buttons)	1	1
6	4603439	Armrest (With Push Buttons)	1	1	1	1
7	2111769	Cushion (Armrest)	1	1	1	1
8	1709587	Nut	5	5	5	5
9	1703513	Screw	9	9	9	9
10	2111801	Wire Harness	1	1	1	1
11	2111768	Switch (E-Stop) (Emergency Switch)	1	1	1	1
12	2107320	Push Button Switch	1	1	1	1
13	d 1704528	Push Button (Position 4)	1	1
13	1704528	Push Button (Position 2)	1	1
13	d 1704528	Push Button (Position 2 and 4)	1	1
13	ab 1705359	Cover (Push Button)	AR	AR	AR	AR
14	c 1704529	Wire Harness (Forward/Reverse Switch in the MLM module)	1	1	1	1
15	2111802	Printed Circuit Board	1	1	1	1
16	2111800	Cover (Bottom Armrest)	1	1	1	1
17	2111770	Horn Button	1	1	1	1
18	2110943	Switch (Directional Control)	1	1	..
19	2110942	Plug (Directional Control Switch)	1	1
20	1698449	Capscrew	8	8	8	8

FOOTNOTES:

- a** Not Illustrated
- b** Plug for Use Without Push Button
- c** RTST With Clamping
- d** With Clamping
- e** Without Clamping

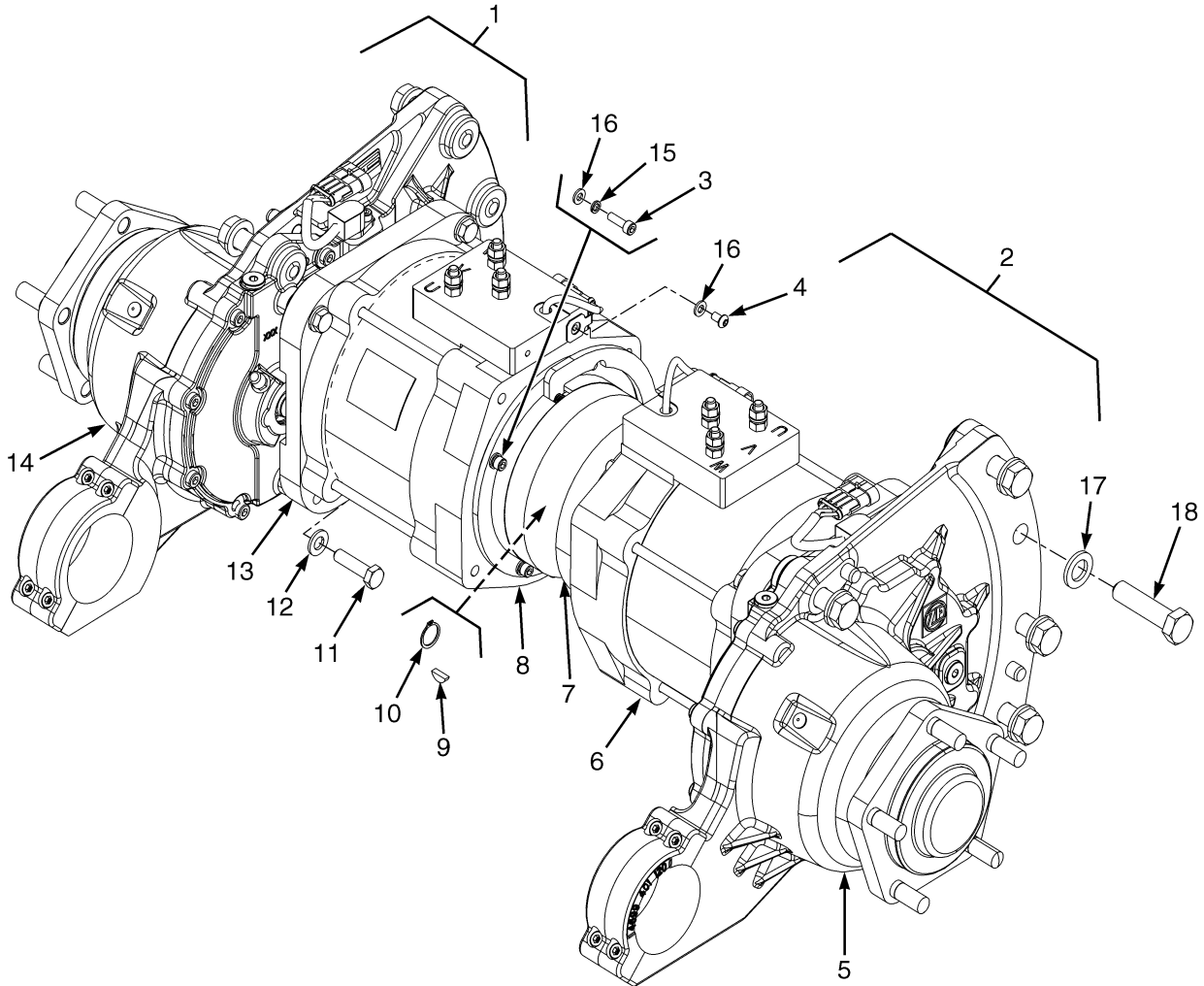
3

DRIVE UNIT

**SECTION 3
DRIVE UNIT**

DESCRIPTION	PAGE
DRIVE TIRE AND WHEEL ASSEMBLY	3-10
DRIVE UNIT ASSEMBLY	3-2
TRACTION MOTOR ASSEMBLY	3-8
TRANSMISSION	
COVER AND BRAKE DISCS	3-4
HOUSING	3-6

DRIVE UNIT ASSEMBLY (FIGURE 3-1)

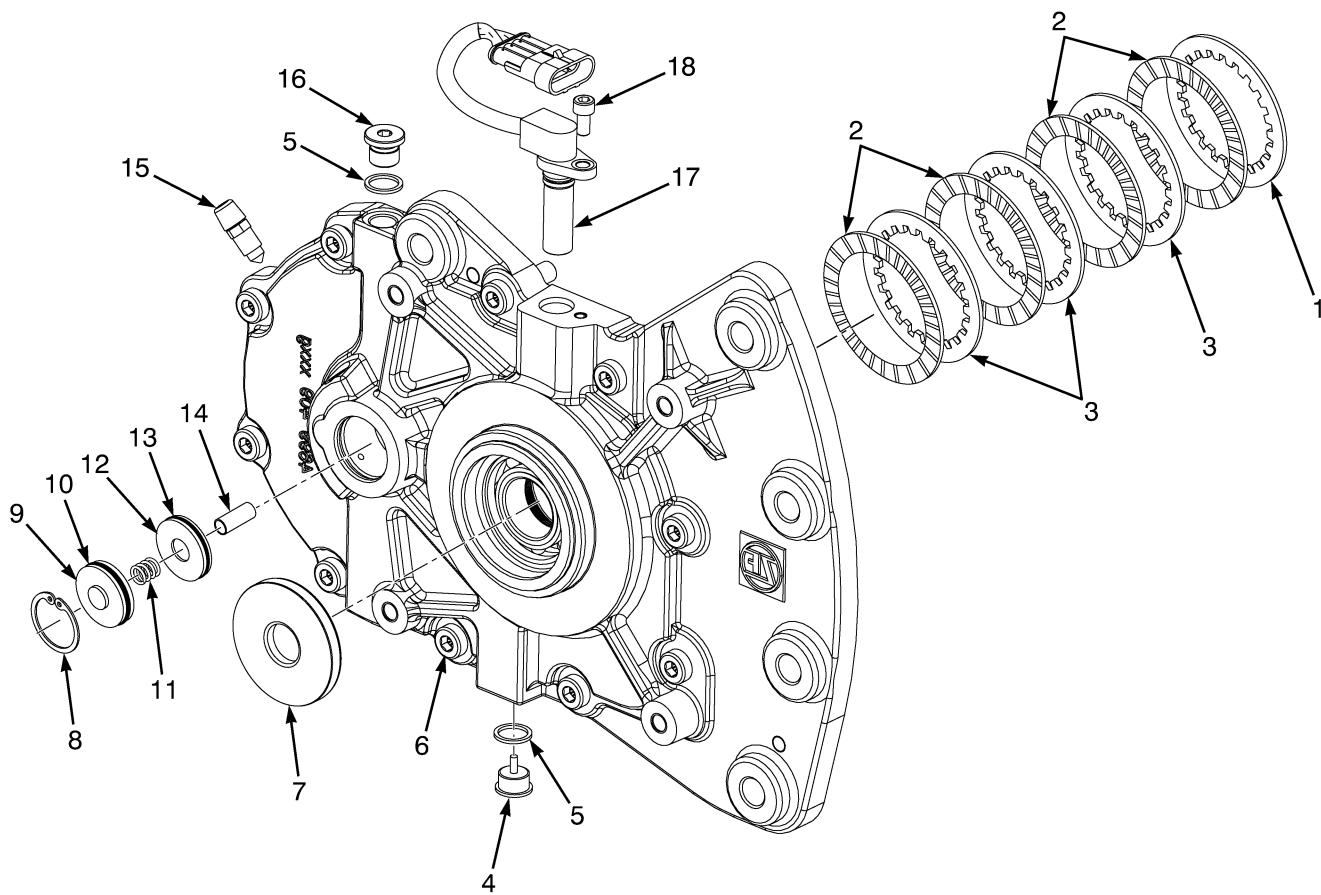


BP160062

DRIVE UNIT ASSEMBLY

ITEM	PART NO.	DESCRIPTION	QTY
1	1654265	Drive Unit Assembly (48 Volt Right Hand)	1
2	1654266	Drive Unit Assembly (48 Volt Left Hand)	1
3	1581842	Capscrew	8
4	296157	Capscrew	2
5	2082661	Transmission (Left Hand) (☞Figure 3-2, ☞Figure 3-3).....	1
6	2092258	Traction Motor (Left Hand) (☞Figure 3-4).....	1
7	2097922		
	4613948	Parking Brake (Electric) (Left Hand)	1
8	2097922		
	4613948	Parking Brake (Electric) (Right Hand)	1
9	32033	Woodruff Key	2
10	58929	Snap Ring	2
11	293631	Capscrew	8
12	296420	Washer	8
13	2092258	Traction Motor (Right Hand) (☞Figure 3-4).....	1
14	2082660	Transmission (Right Hand) (☞Figure 3-2, ☞Figure 3-3).....	1
15	293779	Lockwasher	8
16	320156	Washer	10
17	296426	Washer	10
18	293689	Capscrew	10

TRANSMISSION (FIGURE 3-2) COVER AND BRAKE DISCS

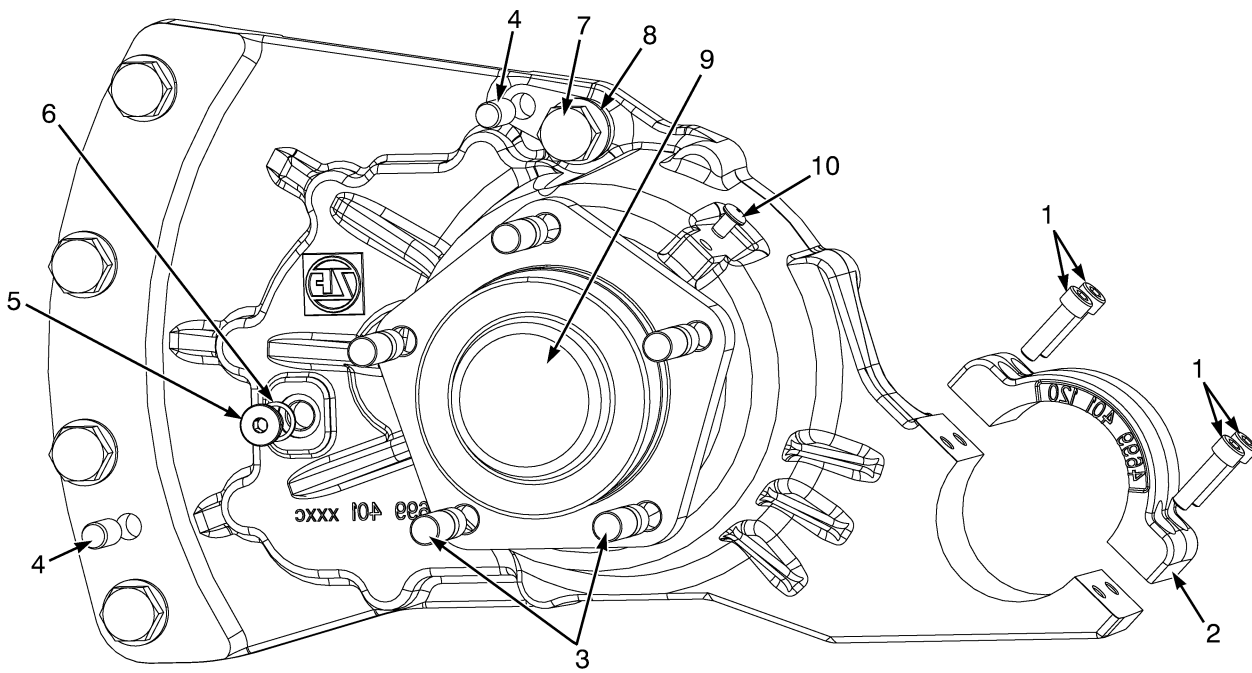


BP070079

**TRANSMISSION
COVER AND BRAKE DISCS**

ITEM	PART NO.	DESCRIPTION	QTY
	2082661	Transmission (Left Hand)	1
	2082660	Transmission (Right Hand)	1
1	1684647	Disk	1
2	1684643	Clutch Disk (Outer)	4
3	1684644	Clutch Disk (Inner)	3
4	1507373	Plug	1
5	382796	Sealing Ring	2
6	1684531	Screw	10
7	1684513	Seal	1
8	1686659	Snap Ring	1
9	1686657	Cover	1
10	1686658	O-Ring	1
11	1686656	Spring	1
12	1686654	Piston	1
13	1686655	Ring	1
14	1684641	Pin	1
15	1686661	Filter (Breather) (Bleeder)	1
16	1391044	Plug	1
17	1658900	Sensor (Speed)	1
18	1684517	Screw	1
	4015098	Kit-Repair (LH)	1
	4015095	Kit-Repair (RH)	1
	4015097	Kit-Repair Brake (LH/RH)	1

TRANSMISSION (FIGURE 3-3) HOUSING

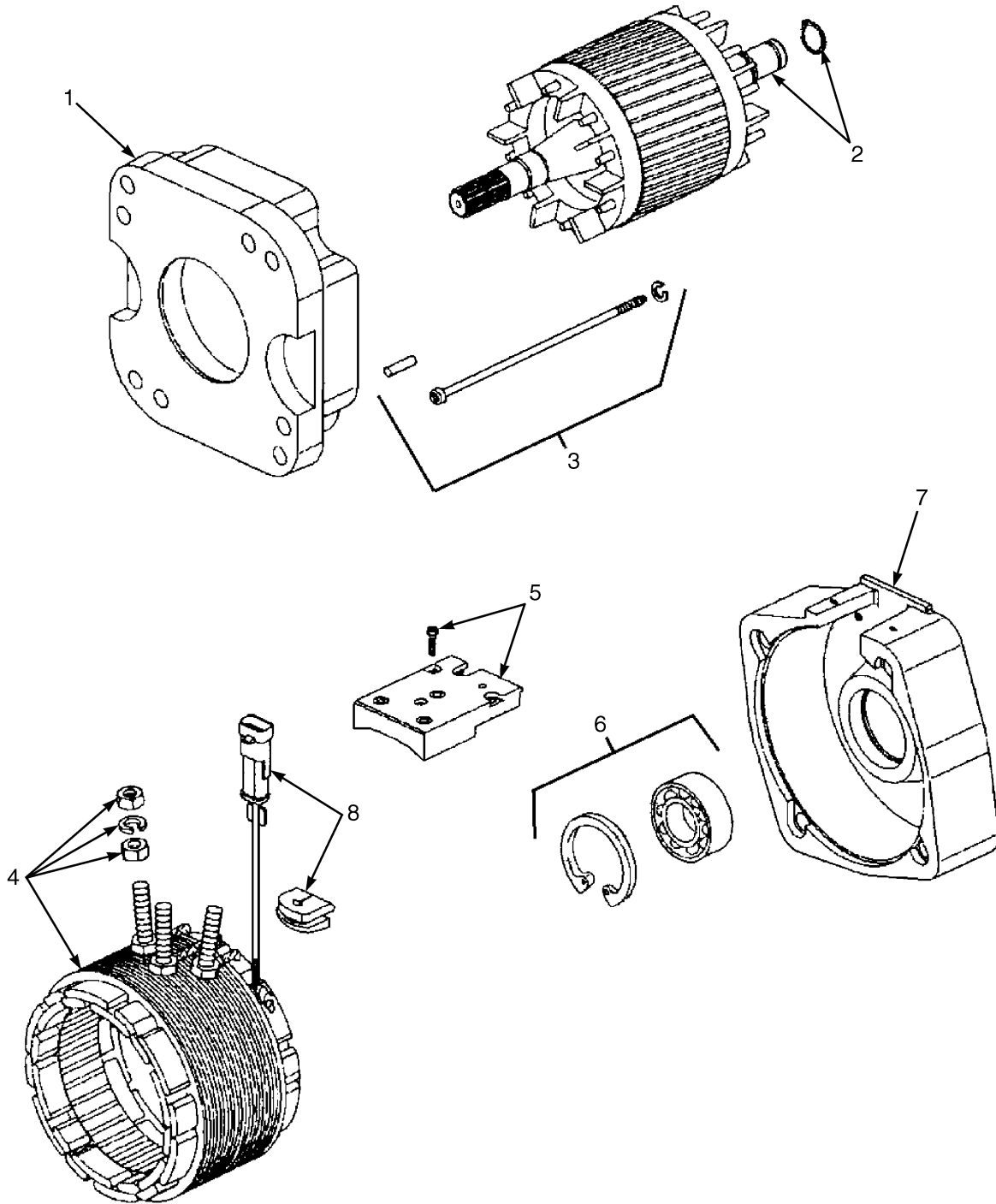


BP070080

**TRANSMISSION
HOUSING**

ITEM	PART NO.	DESCRIPTION	QTY
	2082661	Transmission (Left Hand)	1
	2082660	Transmission (Right Hand)	1
1	382877	Capscrew	4
2	1684499	Cap (Trunnion)	1
3	1507340	Wheel Stud	5
4	1684506	Pin	2
5	1391044	Plug	1
6	382796	Sealing Ring	1
7	293689	Capscrew	5
8	296426	Washer	5
9	1684632	Cup (Protection)	1
10	1605808	Valve (Breather)	1
10	380719	Breather Valve (Alternate Part)	1

TRACTION MOTOR ASSEMBLY (FIGURE 3-4)

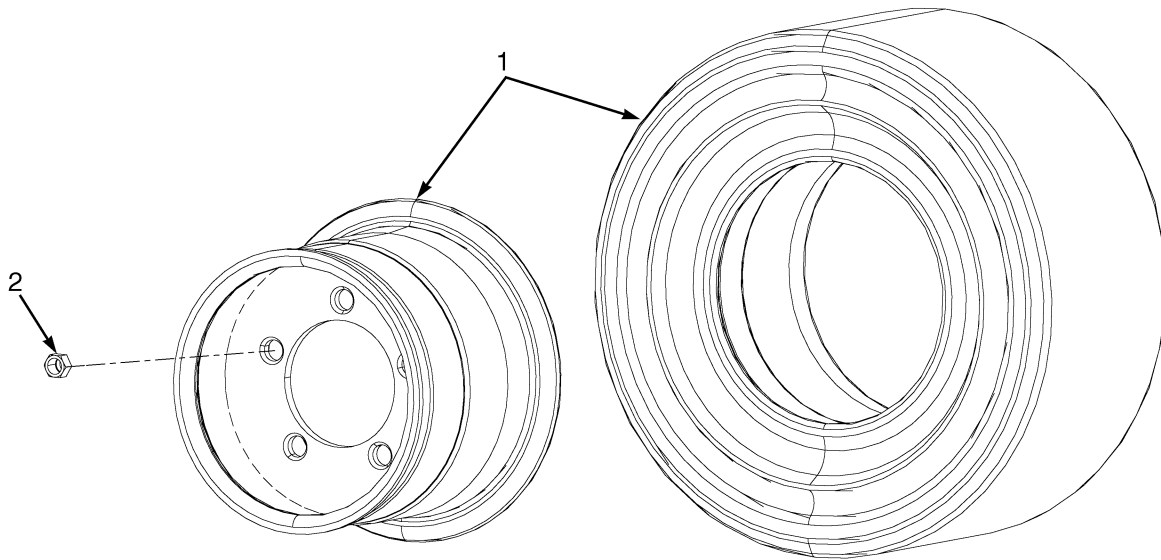


BP160067

TRACTION MOTOR ASSEMBLY

ITEM	PART NO.	DESCRIPTION	QTY
	2092258	Traction Motor	1
1	1675380	Bracket	1
2	1675401	Armature	1
3	1675402	Fixing Kit	1
4	1675403	Stator	1
5	1564592	Plate	1
6	1675415	Bearing (With Snap Ring)	1
7	1675413	End Bracket	1
8	1675414	Temperature Sensor	1

DRIVE TIRE AND WHEEL ASSEMBLY (FIGURE 3-5)



BP070010

KEY:

A: 18x7-8

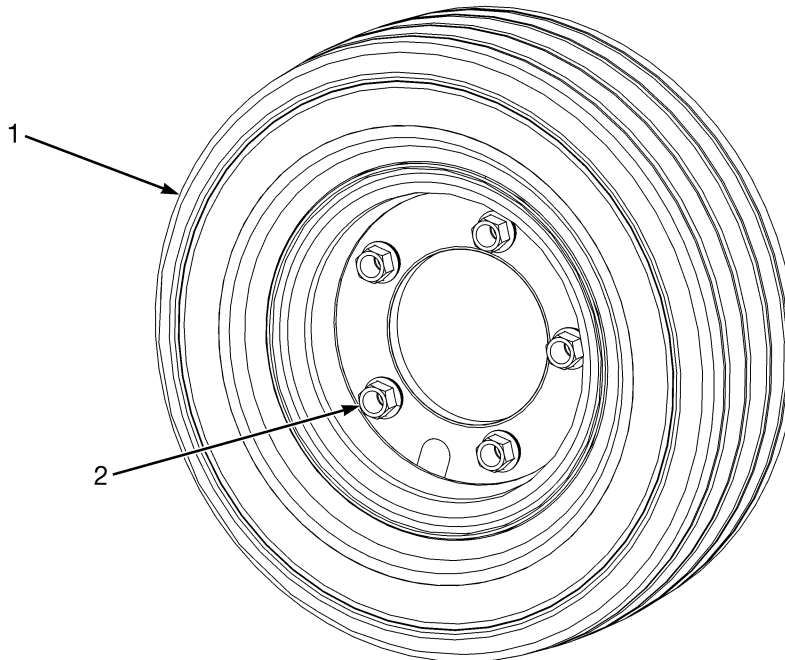
B: 200/50-10

ITEM	PART NO.	DESCRIPTION	QTY	
			A	B
1	1657413	Drive Tire Assembly	2	..
1	2099621	Tire Rim	1	..
1	1539638	Pneumatic Shape Solid Tire	1	..
1	1656950	Drive Tire Assembly	2
1	2099622	Tire Rim	1
1	2035605	Solid Pneumatic Tire	1
1	1657955	Drive Tire Assembly (Non-Marking)	2	..
1	2099621	Tire Rim	1	..
1	1603499	Pneumatic Shape Solid Tire (Non Marking)	1	..
1	1657926	Drive Tire Assembly (Non-Marking)	2
1	2099622	Tire Rim	1
1	2083378	Solid Pneumatic Tire	1
2	302977	Wheel Nut	10	10

**SECTION 4
STEERING SYSTEM**

DESCRIPTION	PAGE
STEER AXLE ASSEMBLY	4-6
STEER AXLE MOUNTING	4-4
STEER COLUMN	
FIXED	4-10
TELESCOPIC	4-12
STEER TIRE AND WHEEL ASSEMBLY	4-2
STEERING ACCUMULATOR	4-14
STEERING HAND PUMP ASSEMBLY	4-16

STEER TIRE AND WHEEL ASSEMBLY (FIGURE 4-1)



BP220109

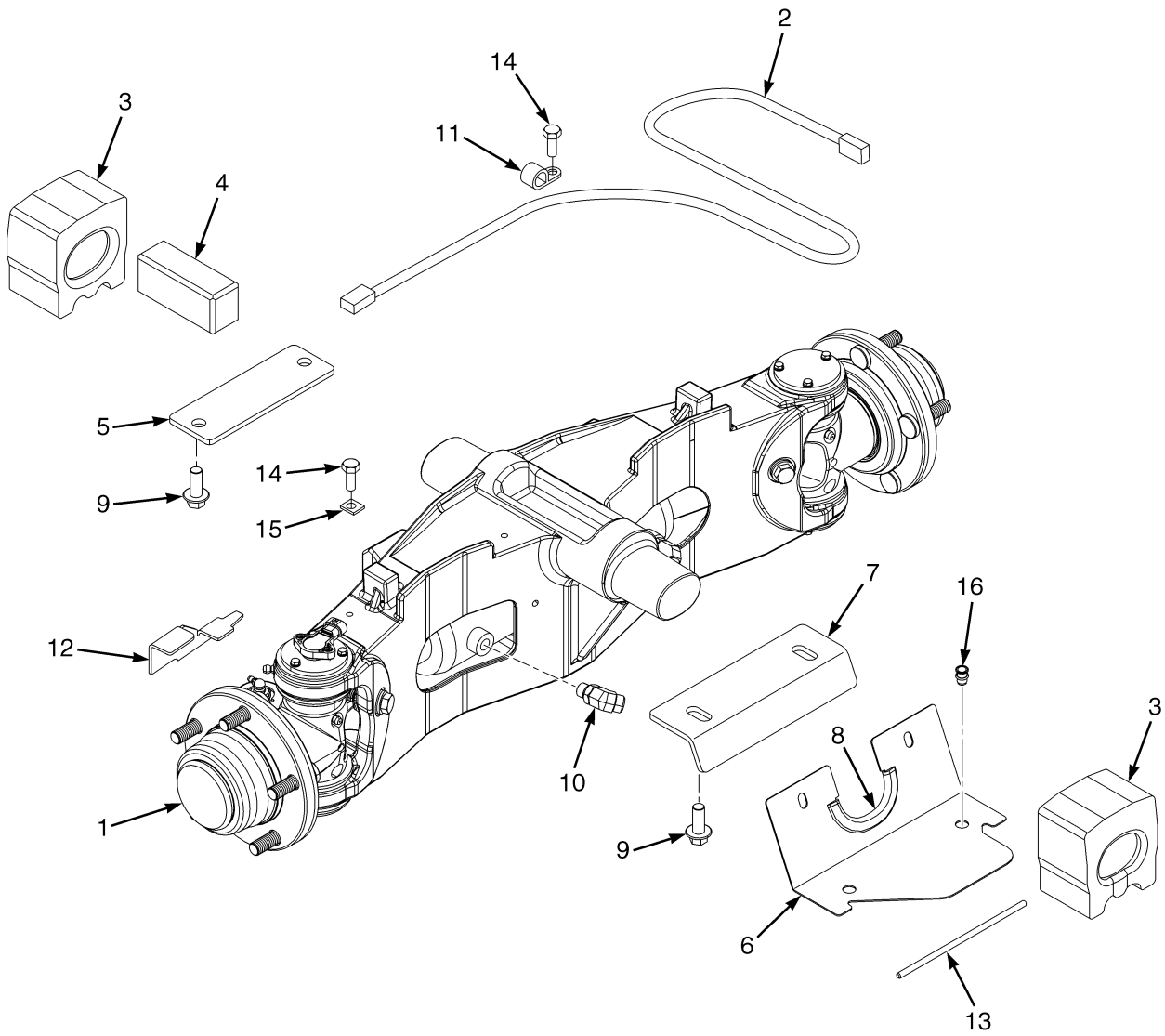
ITEM	PART NO.	DESCRIPTION	QTY
1	a 1644858	Wheel And Tire (Sit Solid)	2
1	a 1644859	Wheel	1
1	a 2054827	Solid Pneumatic Tire	1
1	b 4006440	Wheel And Tire (Sit Solid)	2
1	b 1708023	Wheel	1
1	b 2083394	Tire	1
1	a 1672731	Wheel And Tire (Sit Solid Non-Marking)	2
1	a 1644859	Wheel	1
1	a 1708024	Solid Pneumatic Tire	1
1	b 4006441	Wheel And Tire (Sit Solid Non-Marking)	2
1	b 1708023	Wheel	1
1	b 4006407	Solid Pneumatic Tire	1
2	302977	Wheel Nut	10

FOOTNOTES:

a → PENDING PER ECN 94507

b PENDING PER ECN 94507 →

STEER AXLE MOUNTING (FIGURE 4-2)

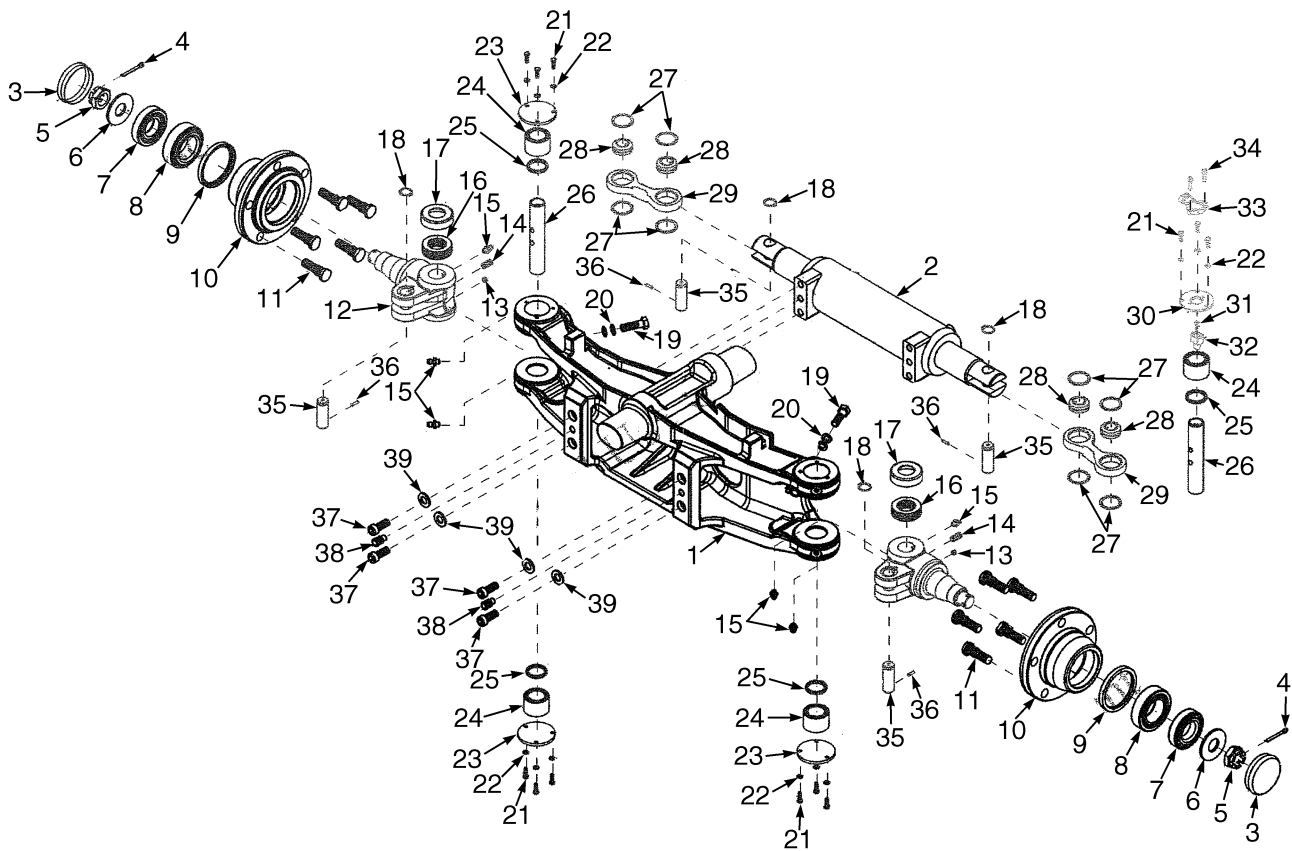


BP220127

STEER AXLE MOUNTING

ITEM	PART NO.	DESCRIPTION	QTY
1	2094918	Steering Axle	1
2	2104092	Wire Harness	1
3	2060696	Rubber Mount	2
4	1388838	Rubber Mount	1
5	1654228	Plate	1
6	1660012	Plate	1
7	1695792	Plate	1
8	1664431	Trim	1
9	1528889	Capscrew	4
10	4024990	Fitting	2
10	265787	O-Ring	1
10	16483	O-Ring	1
11	124297	Clamp	2
12	1695793	Plate	1
13	1684063	Bar	1
14	1527880	Capscrew	5
15	1699110	Clamp	2
16	1531557	Insert	2

STEER AXLE ASSEMBLY (FIGURE 4-3)



BP220062

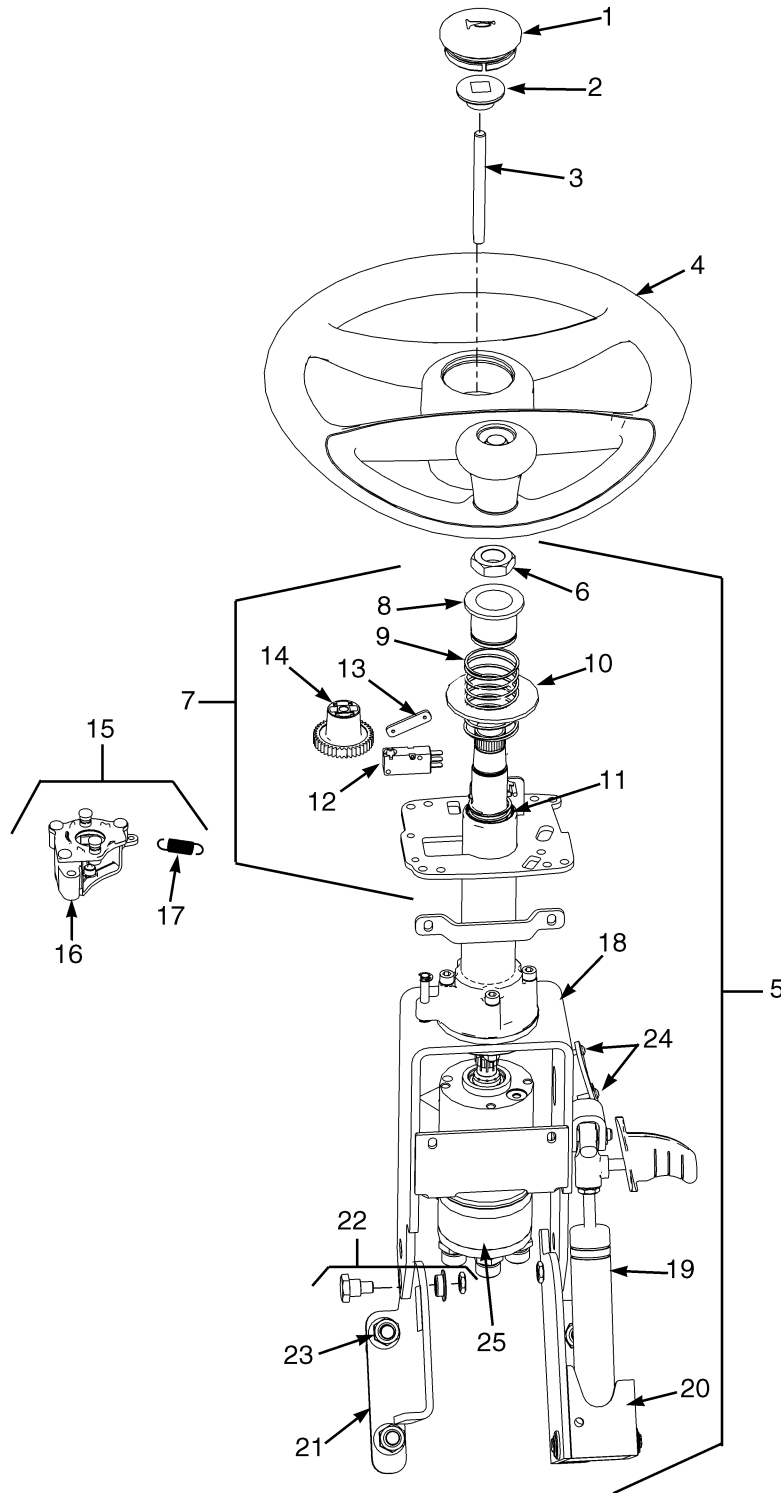
STEER AXLE ASSEMBLY

ITEM	PART NO.	DESCRIPTION	QTY
	2094918	Steering Axle
1	Housing	1
2	1690160	Kit - Steer Axle Cylinder Assy	1
2	1691504	Steering Cylinder	1
2	1691508	Dowel	2
2	1691517	Washer	4
2	1691518	Screw	4
2	1690157	Kit-Seal	1
3	1691485	Cover	2
4	1691501	Cotter Pin	2
5	1691499	Nut	2
6	1691498	Washer	2
7	1691486	Bearing	2
8	1691496	Bearing	2
9	1691495	Gasket	2
10	1691484	Hub	2
11	1691512	Stud	10
12	1691497	Spindle	2
13	1691500	Dowel	2
14	1691487	Dowel	2
15	1691520	Grease Fitting	6
15	4001170	Grease Fitting	2
16	1691493	Bearing	2
17	1691492	Dust Cover	2
17	4028104	Dust Cap	2
18	1691490	Snap Ring	4
19	1691509	Screw	2
20	1691514	Washer	4
21	1691515	Screw	12
22	1691516	Washer	12
23	1691513	Cover	3
24	1691489	Bearing	4
25	1691488	Seal	4
26	1691502	Pin	2
27	1691511	Gasket	8
28	1691510	Ball Joint	4
29	1691519	Link	2
30	1691506	Support	1
31	1691507	Screw	1
32	2089058	Magnet	1
33	1668356	Sensor (Steering)	1
34	1691505	Screw	2
35	1691503	Rod	4
36	1691491	Pin	4
37	1691518	Screw	4
38	1691508	Dowel	2
39	1691517	Washer	4
	1691482	Kit (Axle)	1
	1690158	Kit (Spindle)	1
	1690159	Kit (Rod and Pin)	1

STEER AXLE ASSEMBLY

ITEM	PART NO.	DESCRIPTION	QTY
	1690161	Kit (Hub and Bearing)	1
	1691480	Kit (Cover and Bearing)	1
	1691481	Kit (Steering Sensor)	1

STEER COLUMN (FIGURE 4-4) FIXED

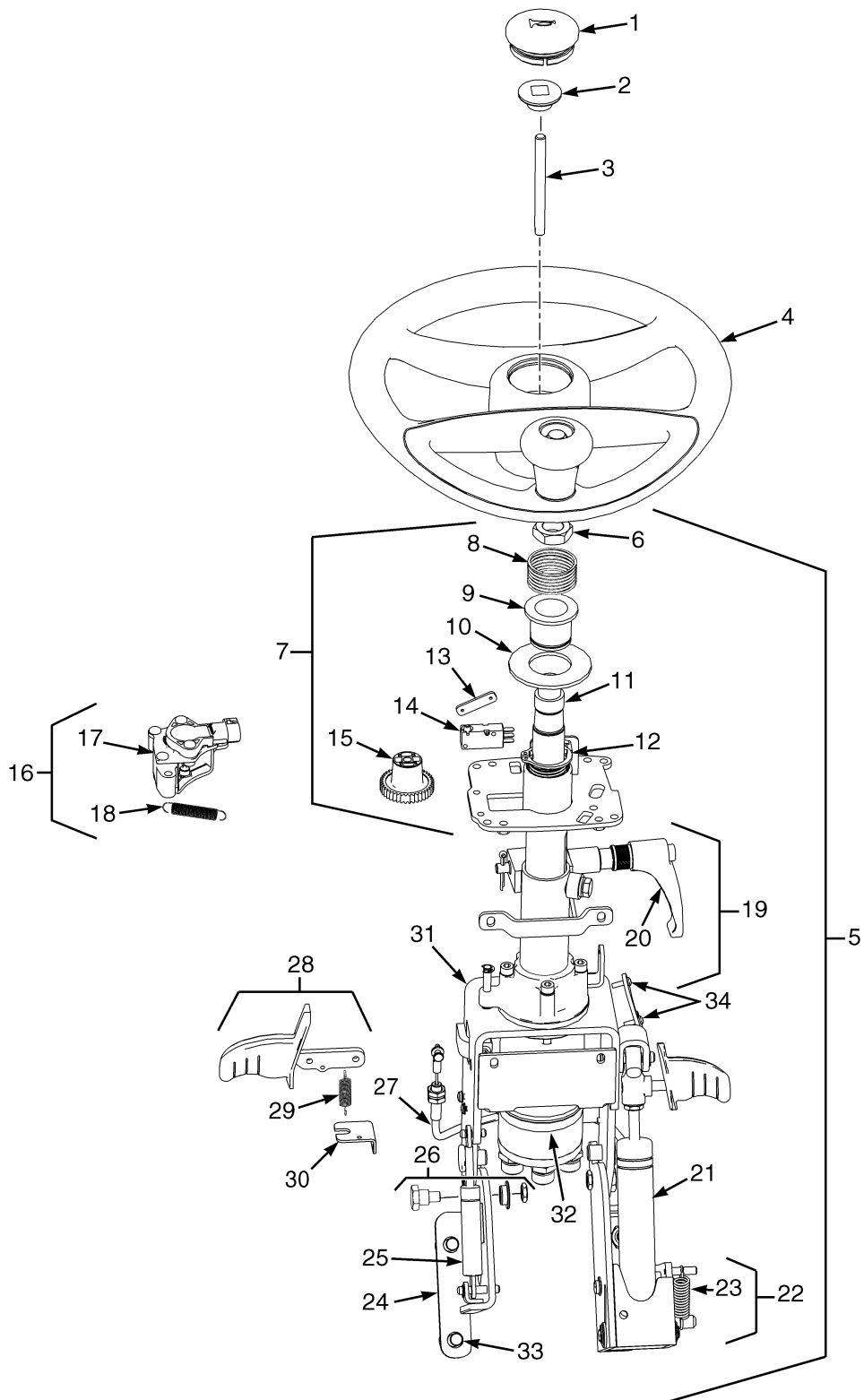


BP220158

**STEER COLUMN
FIXED**

ITEM	PART NO.	DESCRIPTION	QTY
1	1661883	Horn Button	1
2	2103457	Nut	1
3	1661879	Rod	1
4	1531563	Steering Wheel (With Spinner)	1
4	1586109	Knob Assembly	1
4	1675581	Knob	1
4	1675582	Cap	1
4	1675583	Insert	1
5	2111289	Steering Column (Fixed)	1
6	1562492	Kit-Nut	1
7	1707426	Kit-Shaft	1
8	Retaining Ring	1
9	Spring	1
10	Washer	1
11	Spring	1
12	2046035	Switch	1
13	1593347	Plate	1
14	Gear	1
15	1707407	Kit-Sensor	1
16	Sensor	1
17	Spring	1
18	1707427	Kit-Support	1
19	1707429	Kit-Gas Spring	1
20	1707428	Kit-Support	1
21	1707430	Kit-Support	1
22	1707402	Kit-Pivot	1
23	1510117	Capscrew	4
24	1554902	Screw	2
25	1654824	Steering Hand Pump (☞ Figure 4-7).....	1

STEER COLUMN (FIGURE 4-5) TELESCOPIC

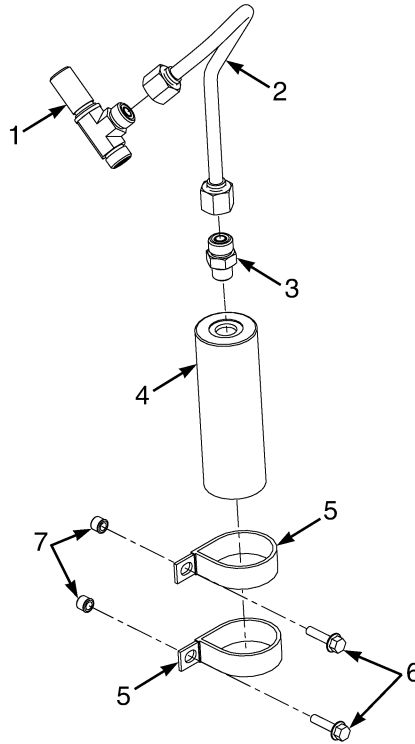


BP220157

**STEER COLUMN
TELESCOPIC**

ITEM	PART NO.	DESCRIPTION	QTY
1	1661883	Horn Button	1
2	2103457	Nut	1
3	1661879	Rod	1
4	1531563	Steering Wheel (With Spinner)	1
4	1586109	Knob Assembly	1
4	1675581	Knob	1
4	1675582	Cap	1
4	1675583	Insert	1
5	2111288	Steering Column (Telescopic)	1
6	1562492	Kit-Nut	1
7	1707399	Kit-Steering Support	1
8	Spring	1
9	Retaining Ring	1
10	Washer	1
11	Shaft	1
12	Spring	1
13	1593347	Plate	1
14	2046035	Switch	1
15	Gear	1
16	1707407	Kit-Sensor	1
17	Sensor	1
18	Spring	1
19	1707398	Kit-Handle	1
20	Handle	1
21	1707401	Kit-Gas Spring	1
22	1707403	Kit-Support	1
23	Spring	1
24	1707404	Kit-Support	1
25	1707405	Kit Lift-O-Mat	1
26	1707402	Kit-Pivot	1
27	1692284	Cable Assy	1
28	1707406	Kit-Lever	1
29	Spring	1
30	Bracket	1
31	1707400	Kit-Support	1
32	1654825	Steering Hand Pump (☞ Figure 4-7).....	1
33	1510117	Capscrew	4
34	1554902	Screw	2

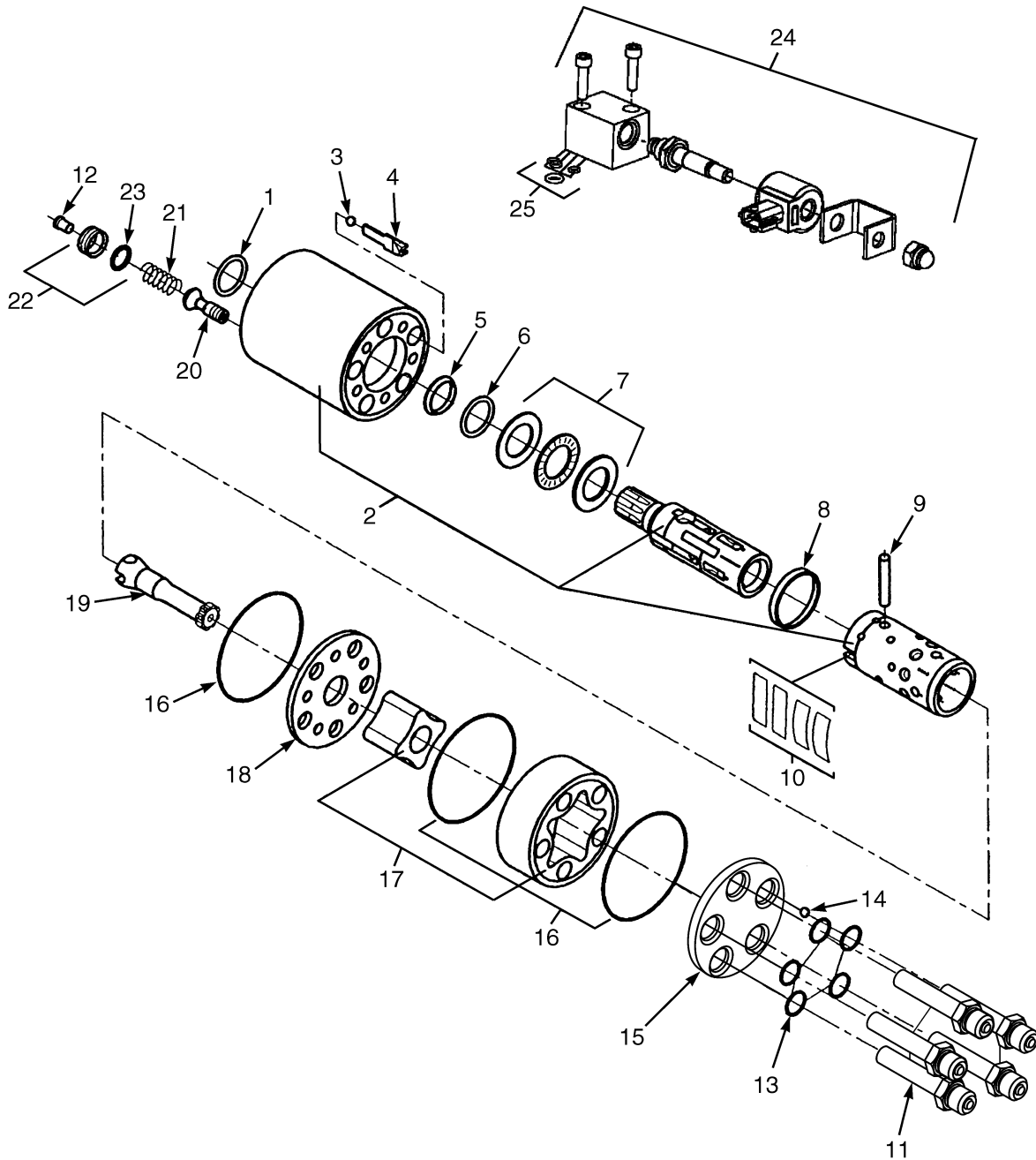
STEERING ACCUMULATOR (FIGURE 4-6)



BP220164

ITEM	PART NO.	DESCRIPTION	QTY
1	1704608	T-Fitting	1
2	2110540	Tube Assy	1
3	1486740	Fitting	1
3	265787	O-Ring	1
3	16483	O-Ring	1
4	2110399	Accumulator	1
5	181899	Clamp	2
6	1527878	Capscrew	2
7	1704795	Insert	2
7	4307884		
	1514429	Nut (Alternate Part)	2

STEERING HAND PUMP ASSEMBLY (FIGURE 4-7)



BP220171

STEERING HAND PUMP ASSEMBLY**KEY:****A: Without Sync Steer****B: With Sync Steer**

ITEM	PART NO.	DESCRIPTION	QTY	
			A	B
	1654824	Steering Hand Pump	1	..
	1654825	Steering Hand Pump	1
1	1467390	Dust Seal	1	1
2	Housing Spool and Sleeve	1	1
3	Ball	1	1
4	Stop	1	1
5	1467424	Seal (Integrated Column)	1	1
6	Shaft Seal	1	1
7	Bearing	1	1
8	Ring	1	1
9	Pin (Cross)	1	1
10	Kit Spring	1	1
11	Screw	5	5
12	Cap	1	1
13	O-Ring	5	5
14	Ball	1	1
15	End Cover	1	1
16	O-Ring	3	3
17	Gear Set	1	1
18	Plate	1	1
19	Shaft	1	1
20	Relief Valve	1	1
21	Spring (Relief Valve)	1	1
22	Adjusting Screw	1	1
23	1467425	O-Ring	1	1
24	Solenoid	1
25	Solenoid Rings	1
	1467430	Kit-Seal	1	1
	1705632	Kit-Solenoid	1

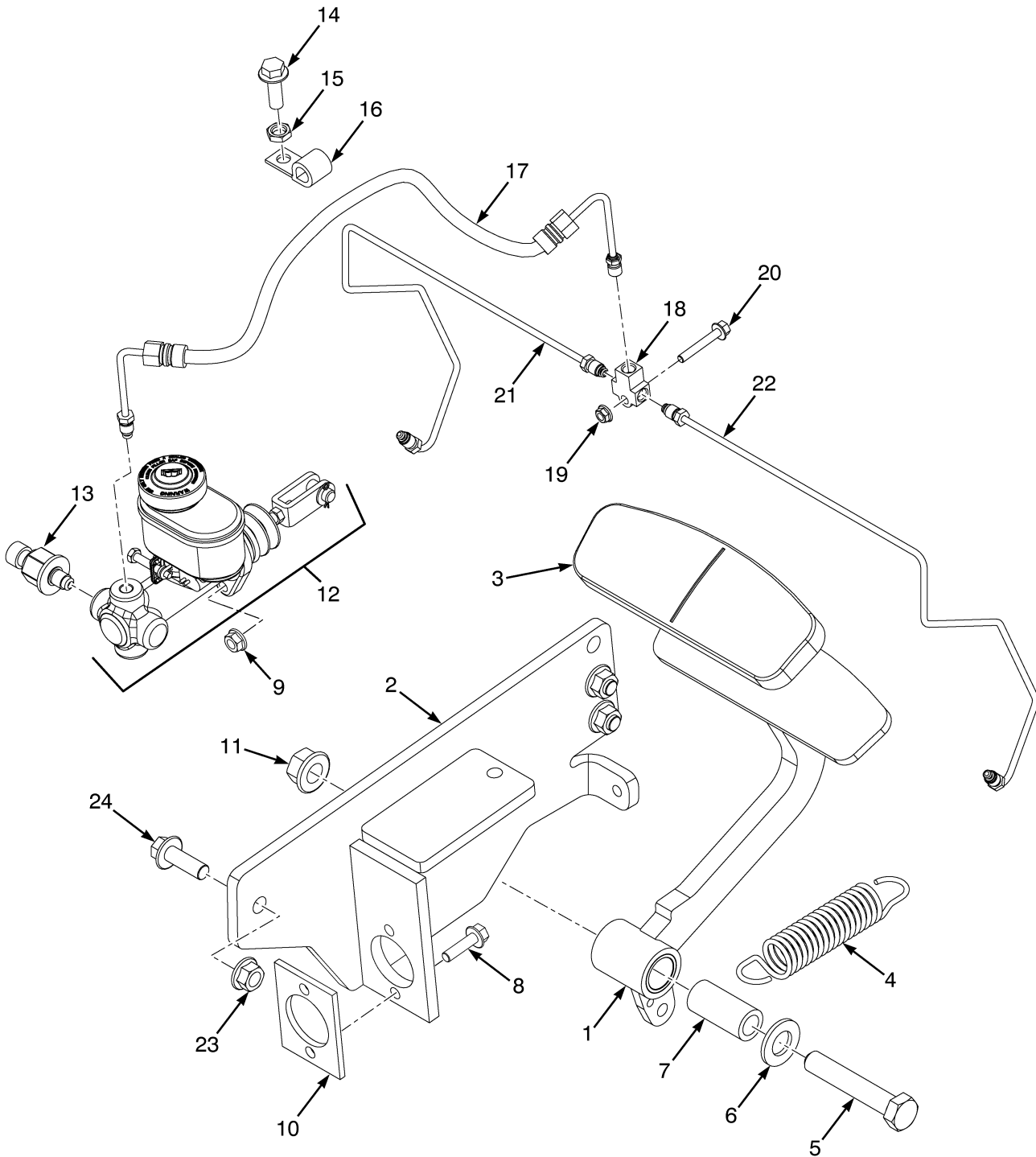
5

BRAKE/ACCELERATOR SYSTEM

**SECTION 5
BRAKE/ACCELERATOR SYSTEM**

DESCRIPTION	PAGE
ACCELERATOR PEDAL	
MONOTROL	5-10
STANDARD	5-8
BRAKE PEDAL LINKAGE	5-2
MASTER CYLINDER	5-4
PARKING BRAKE RELEASE	5-6

BRAKE PEDAL LINKAGE (FIGURE 5-1)



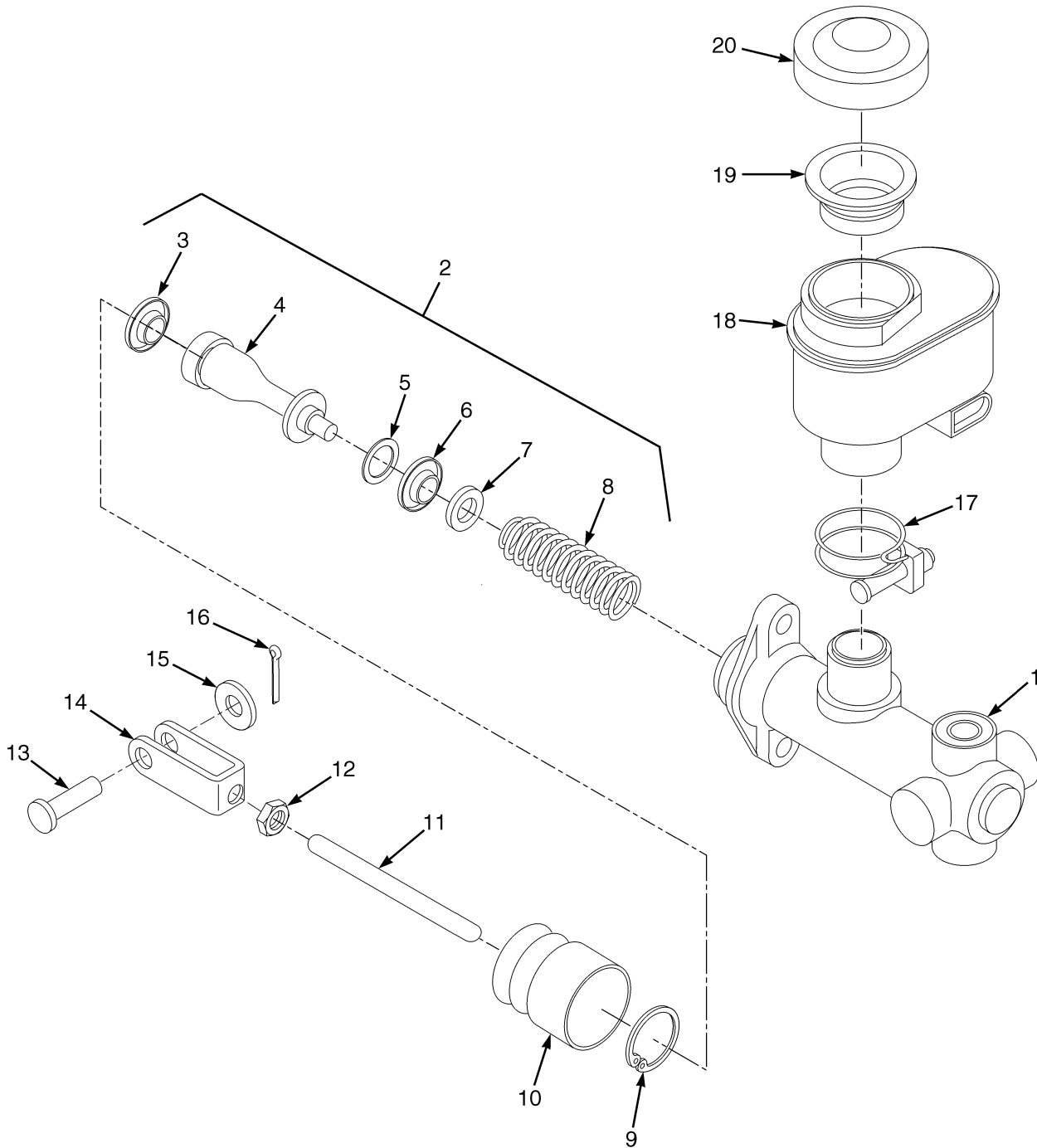
BP040125

BRAKE PEDAL LINKAGE

ITEM	PART NO.	DESCRIPTION	QTY
	1677464	Brake Assy	1
1	1677450	Pedal Assy	1
1	66359	Bushing	2
2	1677455	Mounting Weldment	1
3	1673283	Pad (Brake Pedal)	1
4	1340998	Spring	1
5	292570	Capscrew	1
6	296429	Washer	1
7	1656319	Tube	1
8	1528482	Capscrew	2
9	1382472		
	1502543	Nut (Flange)	2
10	1691170	Spacer Block	1
11	1586436	Nut	1
12	1656046	Master Cylinder (☞ Figure 5-2).....	1
13	a 1701850	Transducer	1
13	b 1707679	Pressure Transducer	1
14	1527884	Capscrew	1
15	1593336	Nut	2
16	124297	Clamp	1
16	1479453	Clamp (Alternate Part)	1
17	2105998	Hose Assy	1
18	1641351	Fitting	1
19	1307884		
	1514429	Nut	1
19	1566420	Nut (Alternate Part)	1
20	1691168	Capscrew	1
20	1527878	Capscrew (Alternate Part)	1
21	2088707	Tube Assy	1
22	2088706	Tube Assy	1
23	1370949		
	1528888	Nut (Shoulder)	3
24	1527888	Capscrew	3

FOOTNOTES:**a** → PENDING PER ECN 13802701**b** PENDING PER ECN 13802701 →

MASTER CYLINDER (FIGURE 5-2)

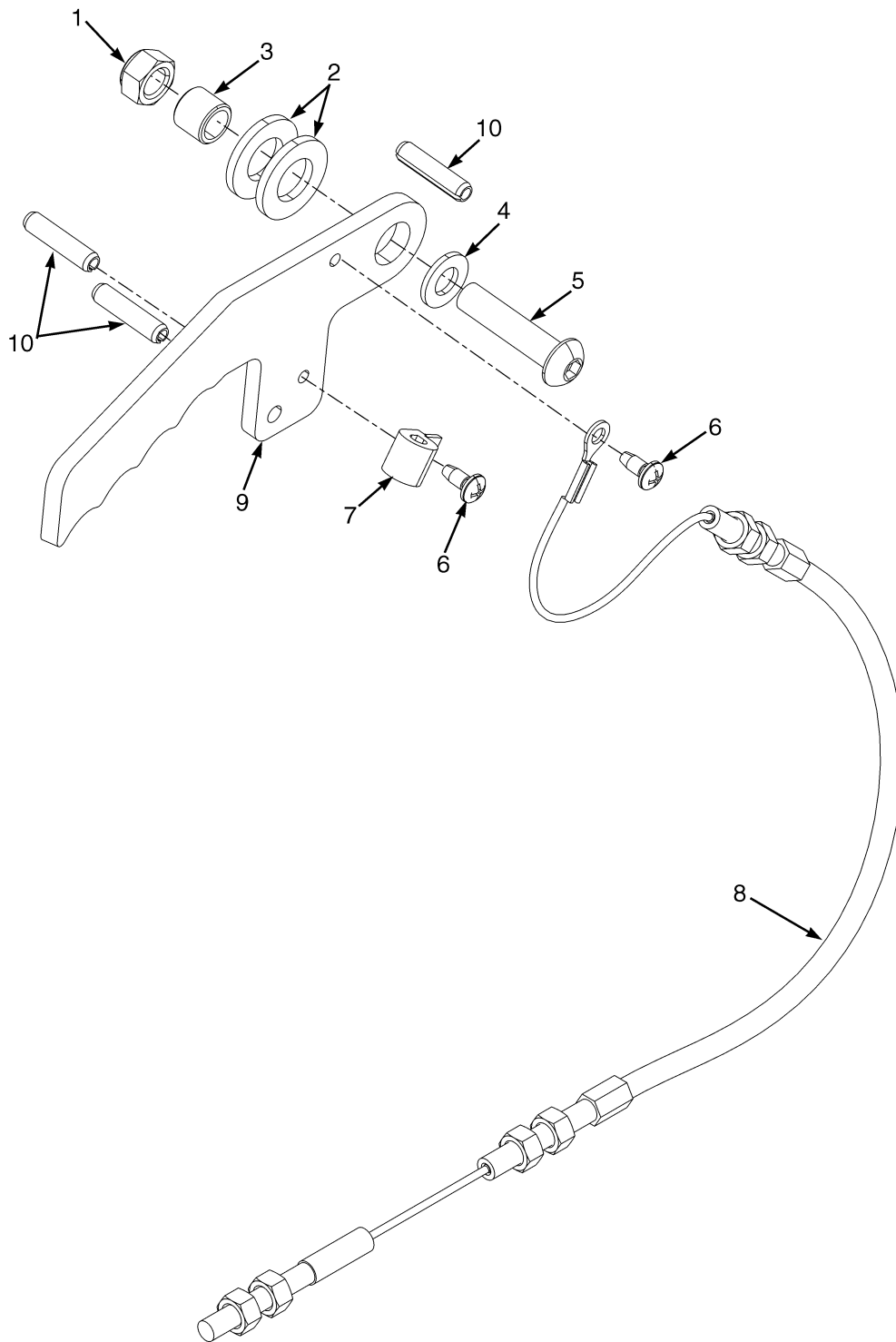


BP040118

MASTER CYLINDER

ITEM	PART NO.	DESCRIPTION	QTY
	1656046	Master Cylinder (Assembly)	1
1	Master Cylinder	1
2	Piston Assembly	1
3	Cup	1
4	Piston	1
5	Spacer	1
6	Cup	1
7	Retainer	1
8	Spring	1
9	Retaining Ring	1
10	1556397	Boot	1
11	1671849	Push Rod	1
12	1671850	Nut	1
13	1671852	Pin	1
14	1556263	Yoke	1
15	1556266	Washer	1
16	1671853	Split Pin	1
17	1671854	Clamp	1
18	Reservoir	1
19	Gasket	1
20	Cap	1
	1671867	Repair Kit	1

PARKING BRAKE RELEASE (FIGURE 5-3)

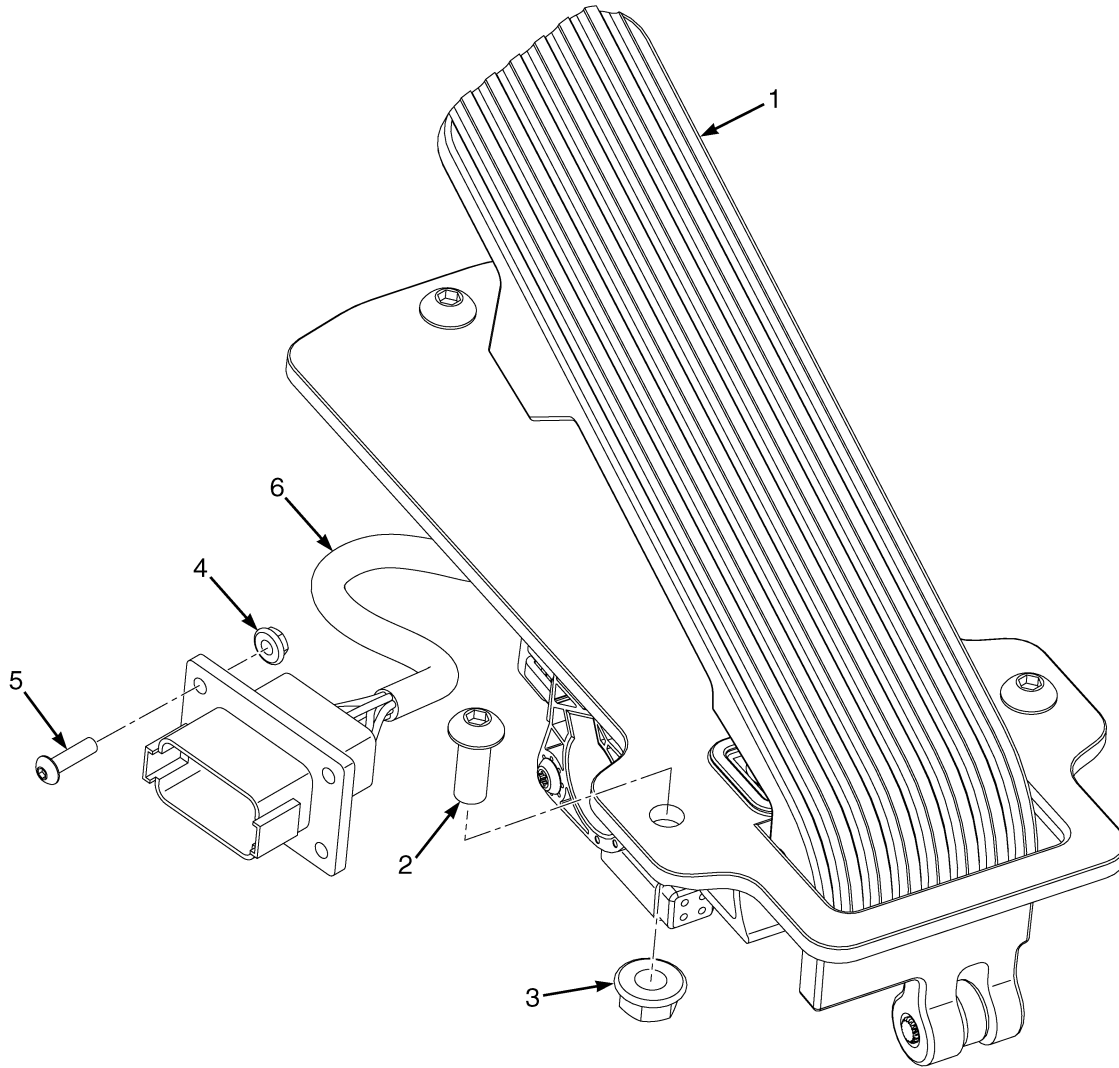


BP040018

PARKING BRAKE RELEASE

ITEM	PART NO.	DESCRIPTION	QTY
1	302400	Nut	1
2	320161	Washer	2
3	1667197	Spacer	1
4	1581556	Washer	1
5	296169	Capscrew	1
6	227146	Screw	2
7	1470687	Clamp	1
8	1655986	Cable	1
9	1684239	Handle	1
10	302449	Roll Pin	3

ACCELERATOR PEDAL (FIGURE 5-4) STANDARD



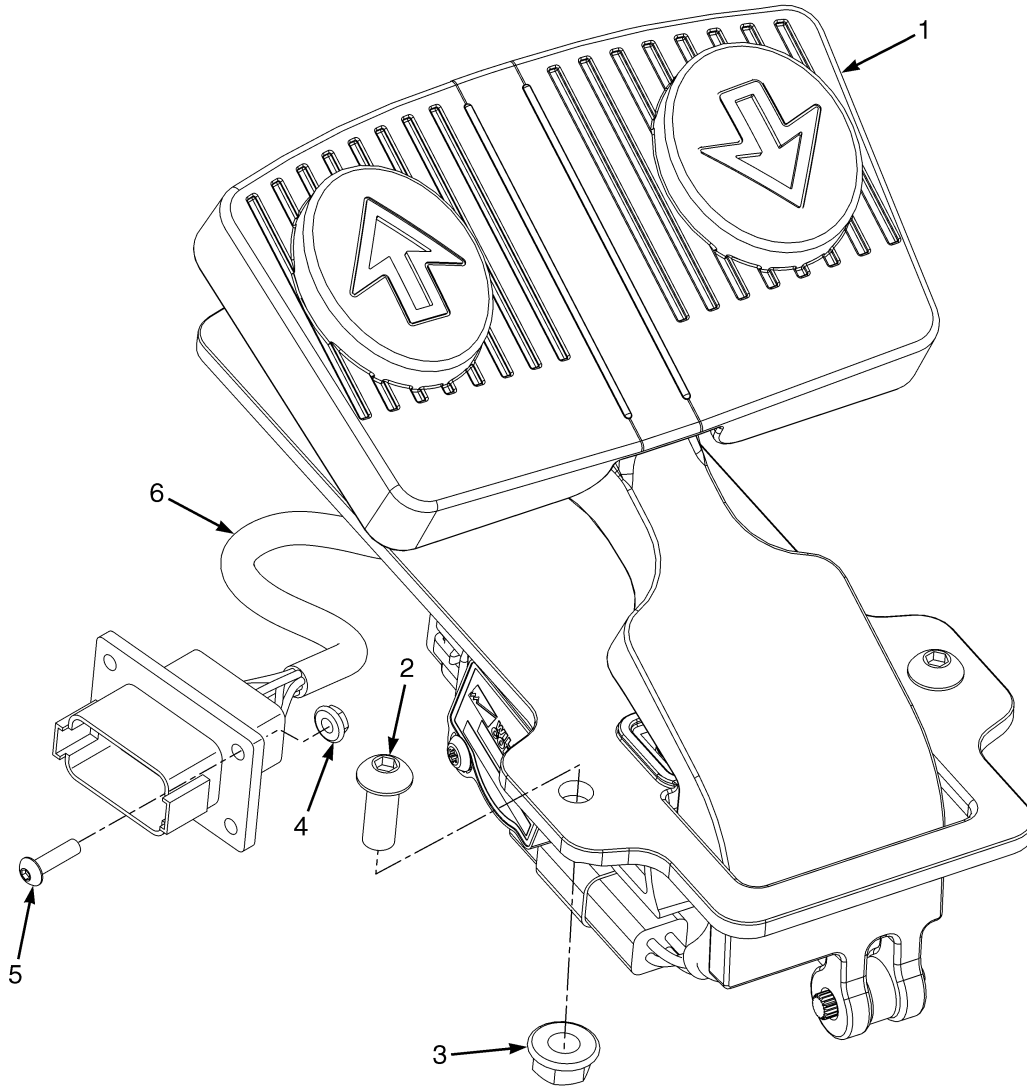
BP040127

**ACCELERATOR PEDAL
STANDARD**

ITEM	PART NO.	DESCRIPTION	QTY
1	a 2094798	Accelerator Pedal (Standard)	1
1	b 4016800	Accelerator Pedal (Standard w/ Pad)	1
1	b 4016802	Accelerator Pedal	1
2	369242	Capscrew	3
3	1382472 1502543	Nut (Flange)	3
4	1549398	Nut	2
5	2106549	Capscrew	2
6	2107737	Wire Harness	1

FOOTNOTES:**a** → S/N A935B02132H**b** S/N A935B02133H →

ACCELERATOR PEDAL (FIGURE 5-5) MONOTROL



BP040126

**ACCELERATOR PEDAL
MONOTROL**

ITEM	PART NO.	DESCRIPTION	QTY
1	1652183		
	4050140	Accelerator Pedal	1
2	369242	Capscrew	3
3	1382472		
	1502543	Nut (Flange)	3
4	1549398	Nut	2
5	2106549	Capscrew	2
6	2107737	Wire Harness	1

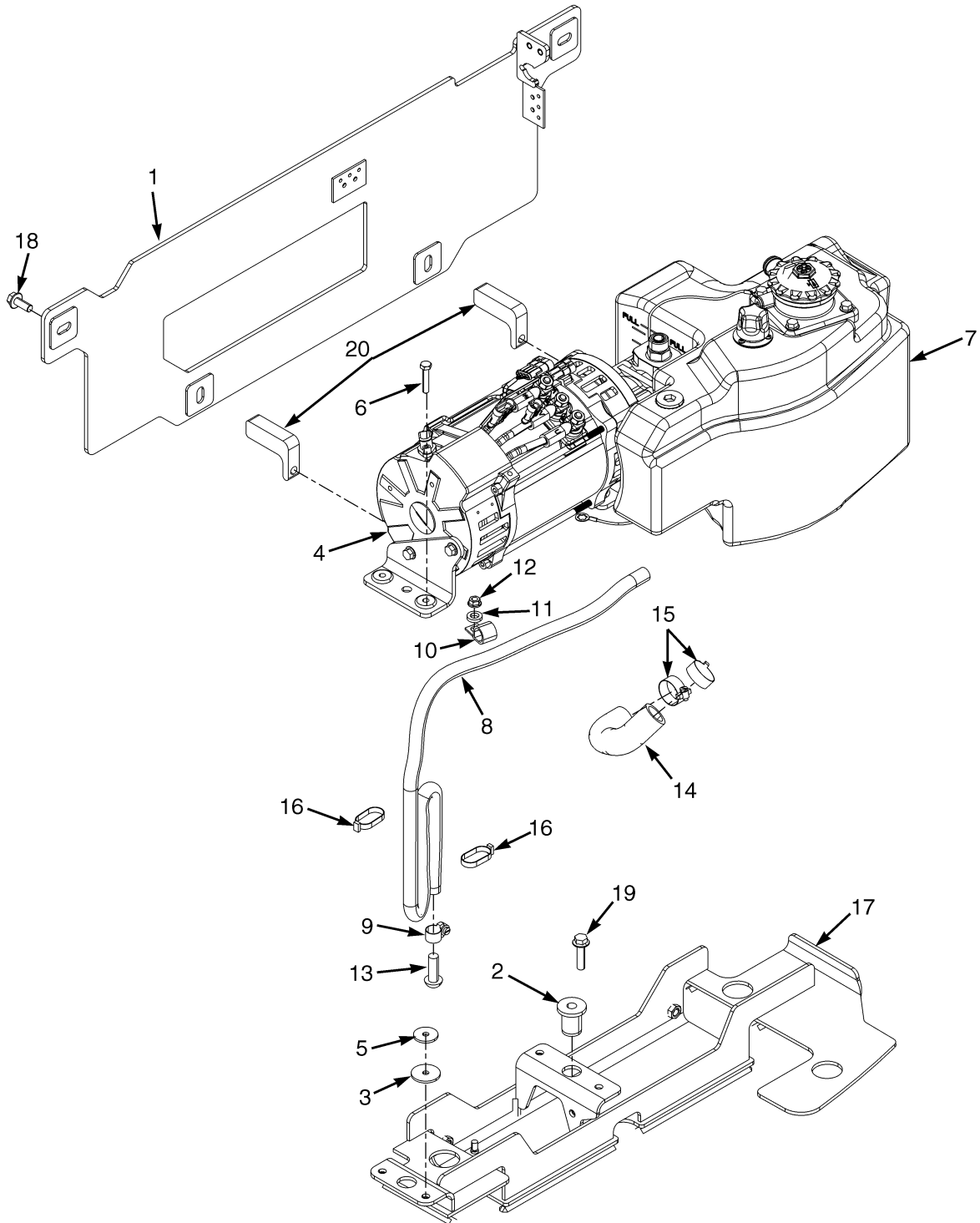
6

HYDRAULIC SYSTEM

SECTION 6 HYDRAULIC SYSTEM

DESCRIPTION	PAGE
CONTROL VALVE	
ELECTRO-HYDRAULIC - 3 AND 4 FUNCTION	6-46
MANUAL - 3 AND 4 FUNCTION (→ S/N A935B02890K)	6-28
HYDRAULIC CONTROL VALVE	
MANUAL - 3 AND 4 FUNCTION (S/N A935B02891K →)	6-32
HYDRAULIC CONTROLS	
ELECTRO-HYDRAULIC	6-44
MANUAL	6-20
HYDRAULIC FILTER HOUSING	6-12
HYDRAULIC HOSES AND FITTINGS	
AUXILIARY HOSES	6-18
STEERING	6-16
SUPPLY AND RETURN	6-14
HYDRAULIC LEVERS - LINKAGE ASSEMBLY (MANUAL)	6-24
HYDRAULIC MOTOR ASSEMBLY	6-6
HYDRAULIC POWER UNIT INSTALLATION	6-2
HYDRAULIC PUMP AND MOTOR MOUNTING	6-4
HYDRAULIC PUMP ASSEMBLY	6-8
HYDRAULIC TANK ASSEMBLY	6-10
INLET SECTION	
ELECTRO-HYDRAULIC CONTROL VALVE	6-48
MANUAL HYDRAULIC CONTROL VALVE	6-36
LIFT/TILT SECTION	
ELECTRO-HYDRAULIC CONTROL VALVE	6-50
LIFT/TILT/AUXILIARY SECTION	
MANUAL HYDRAULIC CONTROL VALVE	6-38
MAST/TILT CYLINDER INSTALLATION	6-56
OUTLET SECTION	
MANUAL HYDRAULIC CONTROL VALVE	6-40
POSITIONER SENSOR	
MANUAL HYDRAULIC CONTROL VALVE	6-42
TIE RODS	
ELECTRO-HYDRAULIC CONTROL VALVE	6-52
MANUAL HYDRAULIC CONTROL VALVE	6-41
TILT CYLINDER ASSEMBLY	6-54

HYDRAULIC POWER UNIT INSTALLATION (FIGURE 6-1)

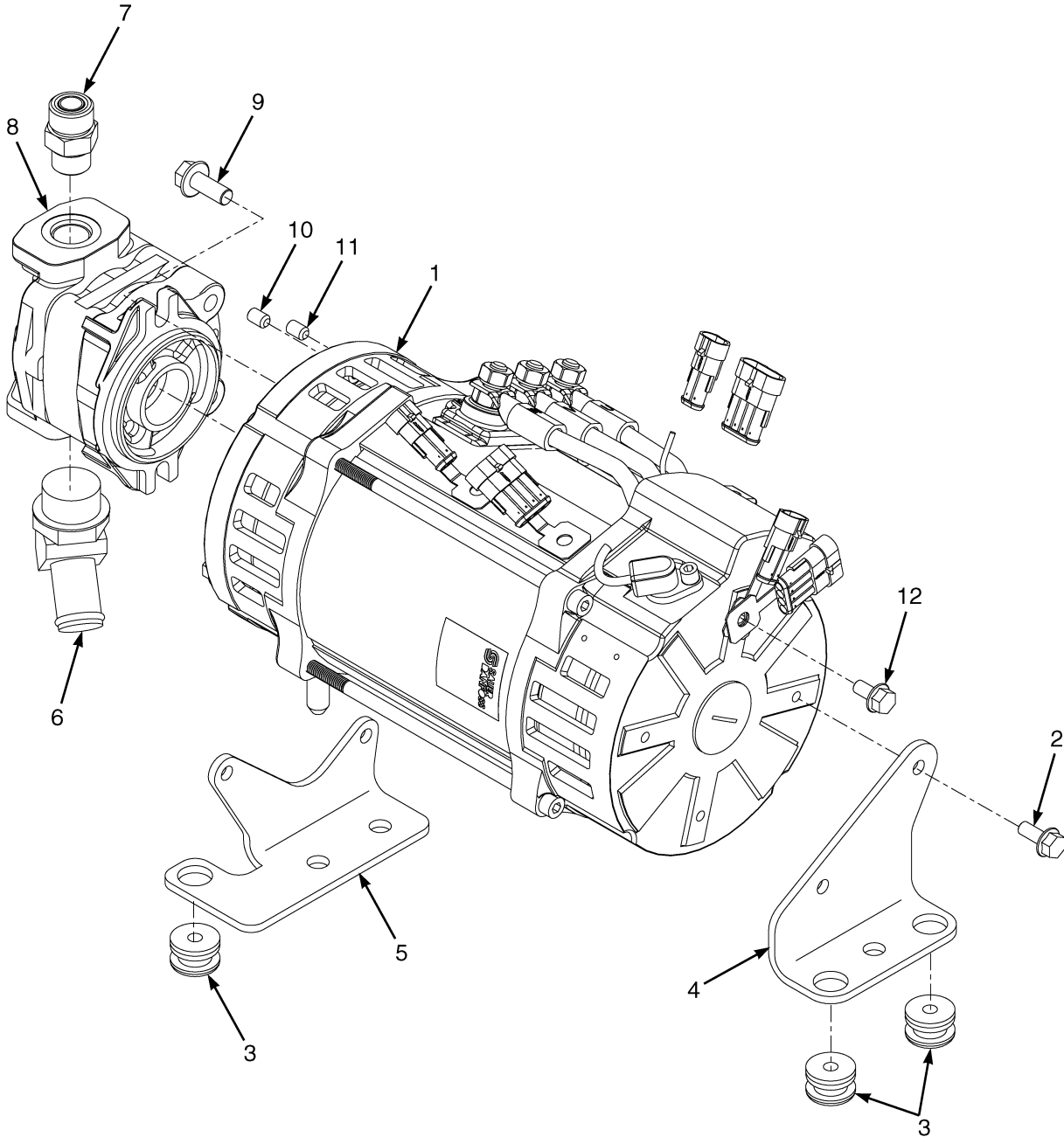


BP150181

HYDRAULIC POWER UNIT INSTALLATION

ITEM	PART NO.	DESCRIPTION	QTY
	Hydraulic Power Unit	1
1	2110982	Bracket Wldmt	1
2	373875	Grommet	1
3	2110978	Washer	4
4	Pump and Motor Assembly (☞ Figure 6-2).....	1
5	2110979	Washer	4
6	292508	Capscrew	4
7	Hydraulic Tank (☞ Figure 6-5).....	1
8	1399082	Hose Assy	1
9	166857	Clamp	2
10	173247	Clamp	1
11	1707024	Spacer	1
12	1382472 1502543	Nut (Flange)	1
13	16679	Rivet	1
14	2103471	Hose	1
15	127045	Clamp (Hose)	1
16	137852	Strap Clamp	2
17	1678172	Bulkhead	1
18	296173	Capscrew	4
19	1512403	Capscrew	1
20	1684233	Plate	2

HYDRAULIC PUMP AND MOTOR MOUNTING (FIGURE 6-2)

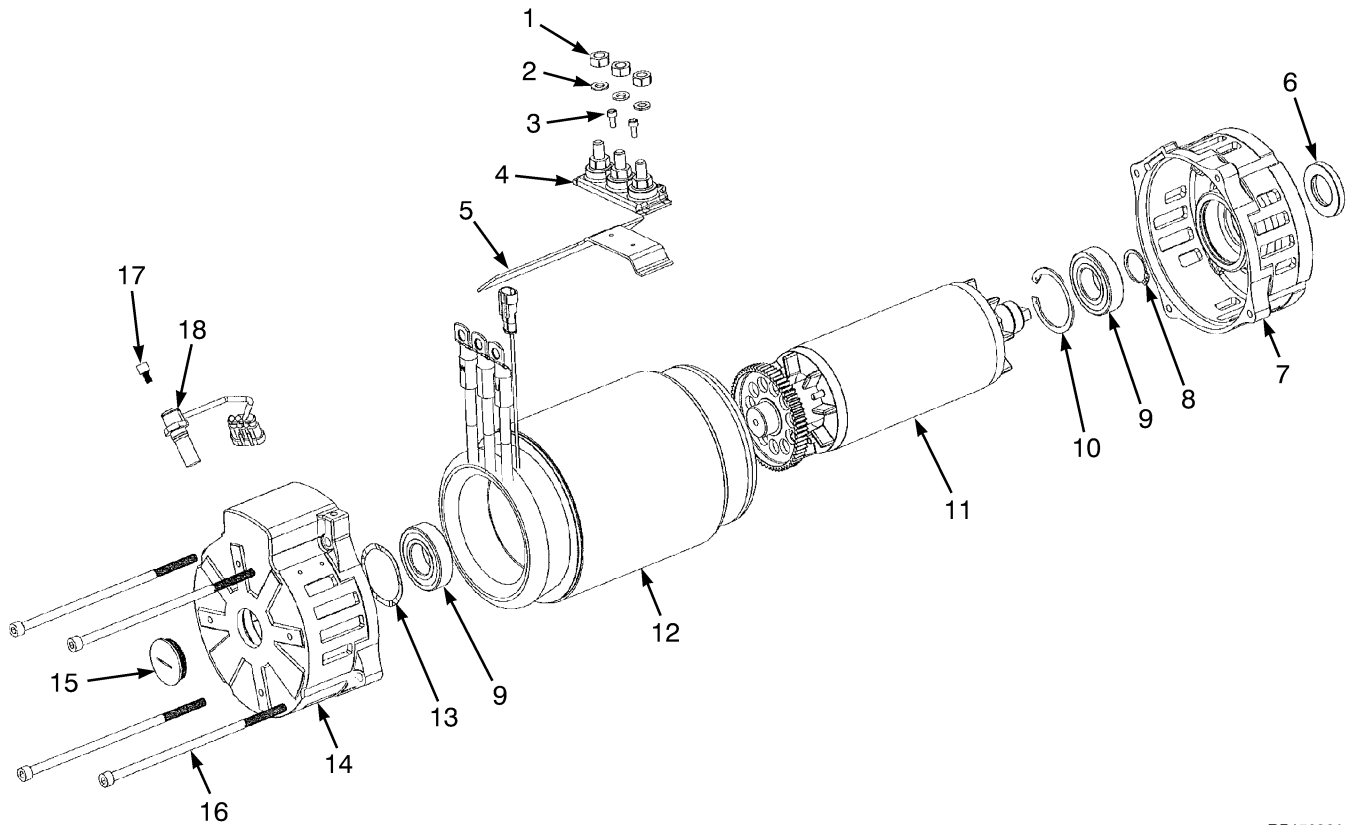


BP150249

HYDRAULIC PUMP AND MOTOR MOUNTING

ITEM	PART NO.	DESCRIPTION	QTY
1	2094610	Motor (☞Figure 6-3).....	1
2	1527880	Capscrew	4
3	1351064	Mount	3
4	1678268	Bracket	1
5	1678267	Bracket	1
6	141908	Fitting	1
6	16487	O-Ring	1
7	1486749	Fitting	1
7	252729	O-Ring	1
7	16485	O-Ring	1
8	2103170	Hydraulic Pump Assembly (☞Figure 6-4).....	1
9	1510117	Capscrew	2

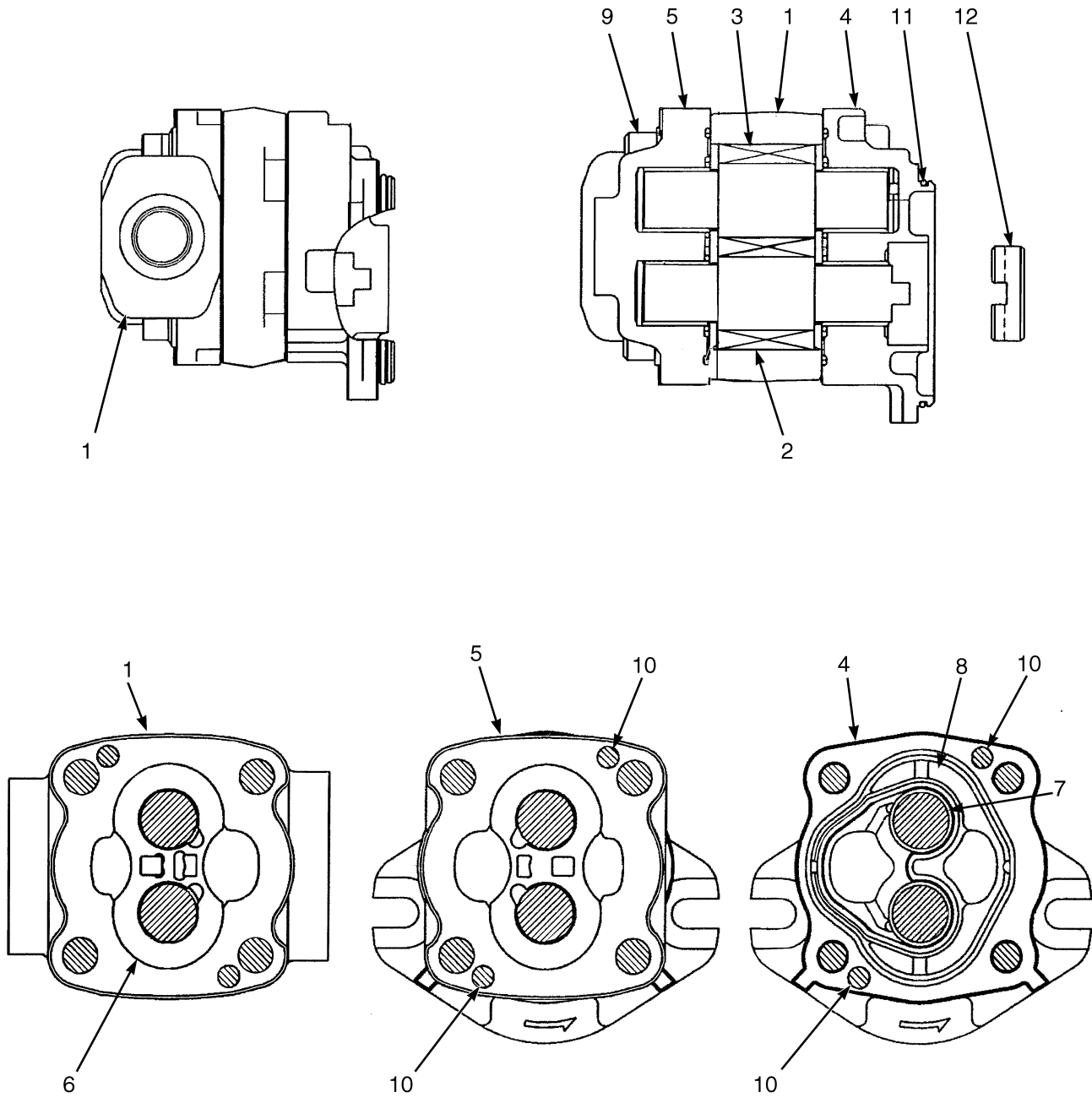
HYDRAULIC MOTOR ASSEMBLY (FIGURE 6-3)



BP150261

ITEM	PART NO.	DESCRIPTION	QTY
	2094610	Motor (Assembly)	1
1	136692	Nut	3
2	388049		
	292682	Lockwasher	3
3	293742	Screw	2
4	1692268	Terminal Post	1
5	1692269	Bracket	1
6	1591518	Ring (Input Shaft Seal)	1
7	4696937		
	4028637	Shield	1
8	1692276	Lockring	1
9	1502092	Bearing	2
10	1502093		
	12921	Snap Ring	1
11	1692266	Armature	1
12	1692267	Housing	1
13	1692271	Spring Washer	1
14	1692273	Shield	1
15	1692274	Plug	1
16	4003160	Screw	4
17	4028802	Capscrew	1
18	1692275	Sensor	1

HYDRAULIC PUMP ASSEMBLY (FIGURE 6-4)



BP150156

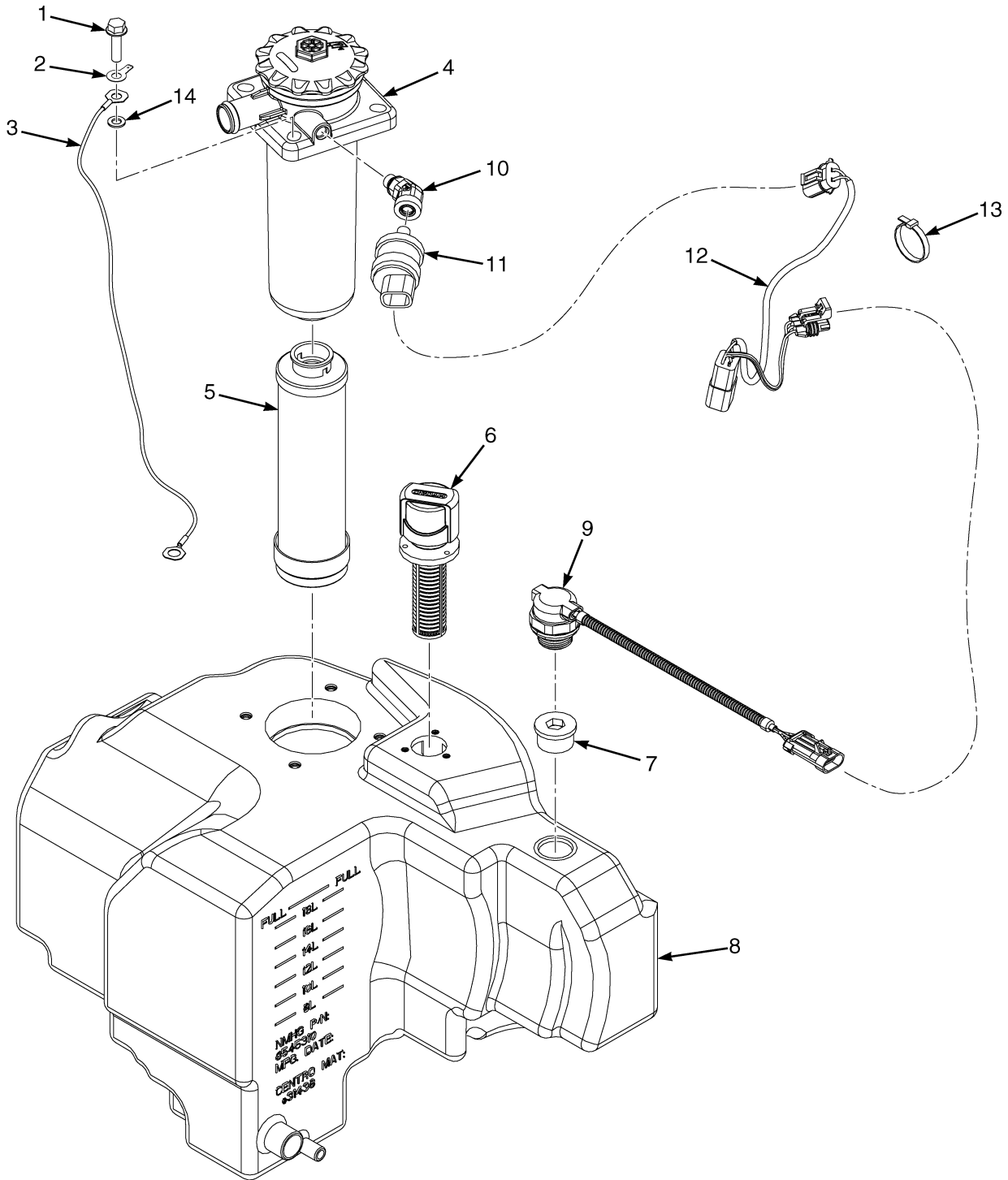
HYDRAULIC PUMP ASSEMBLY

ITEM	PART NO.	DESCRIPTION	QTY
	2103170	Hydraulic Pump Assembly	1
1	Housing	1
2	Drive Gear	1
3	Gear	1
4	1675589	Flange	1
5	1675590	Cover Plate	1
6	1622215	Side Plate	2
7	Seal (Plate)	2
8	Back-Up	2
9	1684363	Screw	4
10	1578672	Dowel	4
11	Seal	1
12	1675592	Coupling	1
	1684364	Kit-Gear	1
	a 1675593	Kit-Seal	1

FOOTNOTES:

- a** Input Shaft Sealing Ring is not included. See Motor for correct part.

HYDRAULIC TANK ASSEMBLY (FIGURE 6-5)

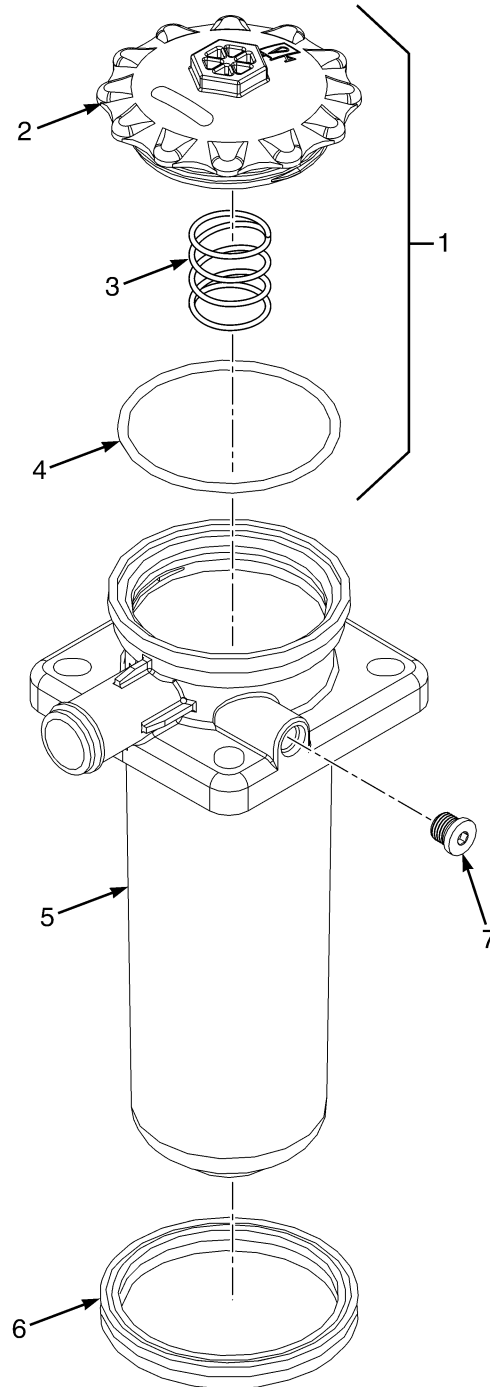


BP150250

HYDRAULIC TANK ASSEMBLY

ITEM	PART NO.	DESCRIPTION	QTY
	Hydraulic Tank	1
1	132861	Capscrew	4
2	1380434	Tab	1
3	2100368	Wire Harness	1
4	1665255	Hydraulic Filter Housing Assy (☞ Figure 6-6).....	1
5	2099415	Hydraulic Filter (Element)	1
6	4023189	Breather	1
7	200659	Fitting	1
7	16982	O-Ring	1
8	2107173	Hydraulic Tank	1
9	1650732	Sensor (Tank Level)	1
10	1688347	Adapter	1
11	2068337	Pressure Switch	1
12	2099306	Wire Harness	1
13	137852	Strap Clamp	1
14	292681	Lockwasher	4

HYDRAULIC FILTER HOUSING (FIGURE 6-6)

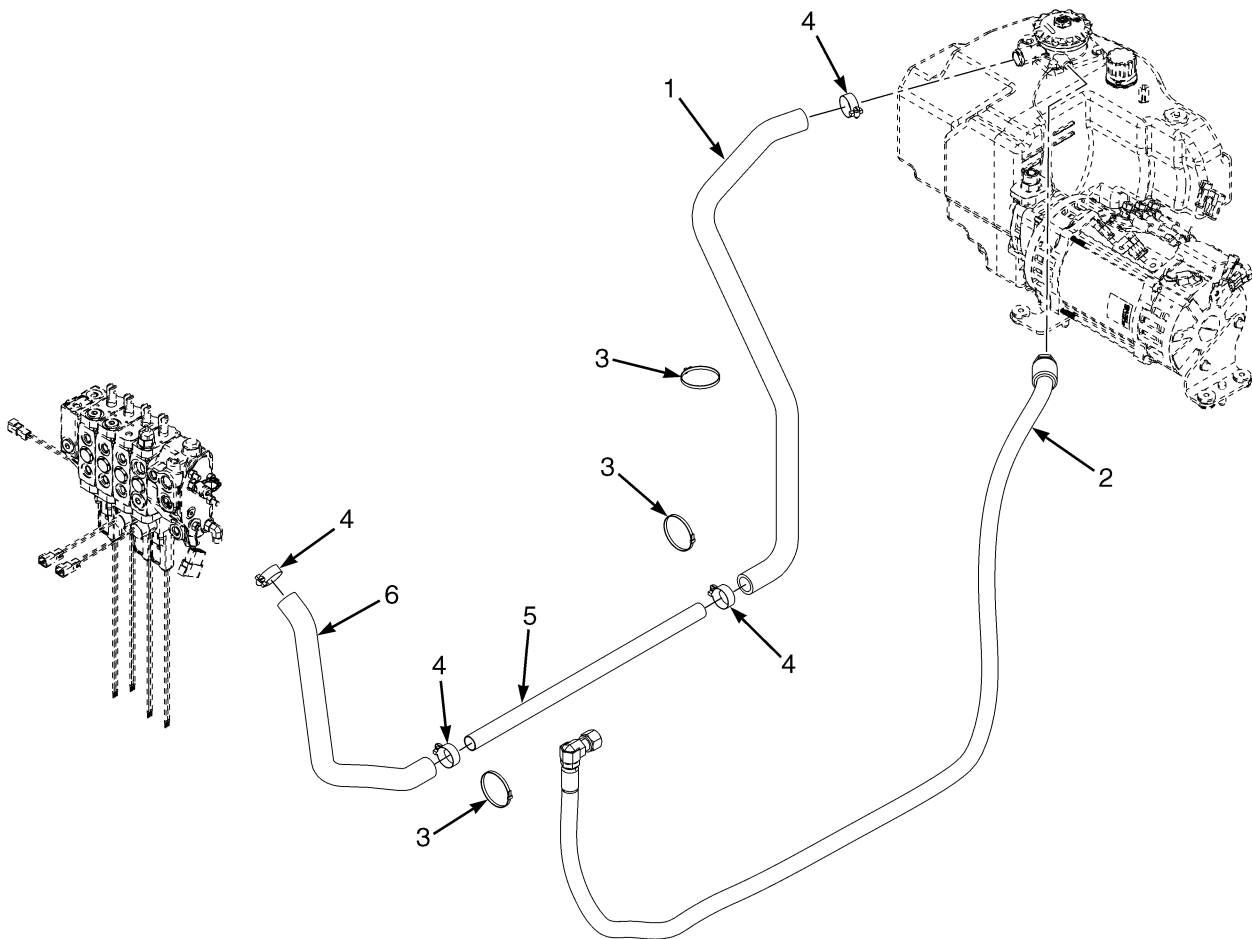


BP140170

HYDRAULIC FILTER HOUSING

ITEM	PART NO.	DESCRIPTION	QTY
	1665255	Hydraulic Filter Housing Assy	1
1	1676341	Cover Assembly	1
2	Lid	1
3	Spring	1
4	Seal	1
5	1676335	Cover	1
6	Quad Ring	1
7	222442	Fitting	1
	1676342	Kit-Seal	1

HYDRAULIC HOSES AND FITTINGS (FIGURE 6-7) SUPPLY AND RETURN



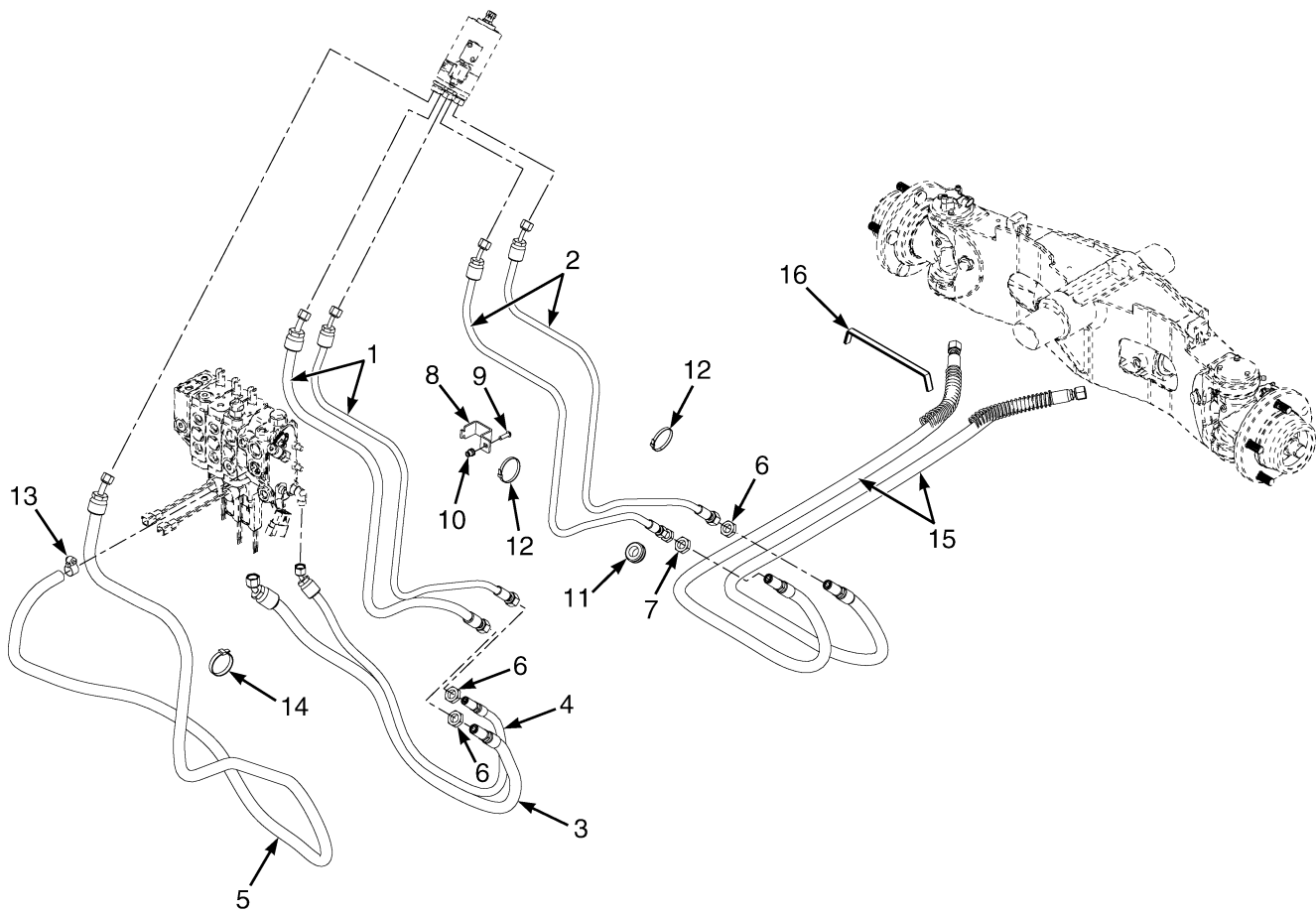
BP150253

**HYDRAULIC HOSES AND FITTINGS
SUPPLY AND RETURN****KEY:****A: 546 mm Battery Compartment****B: 642 mm Battery Compartment****C: 750 mm Battery Compartment**

ITEM	PART NO.	DESCRIPTION	QTY		
			A	B	C
1	1665774	Hose (Hydraulic Tank)	1	1	1
2	2105366	Hose Assy (Hydraulic Motor/Control Valve)	1
2	2105367	Hose Assy (Hydraulic Motor/Control Valve)(Alternate Part)	1
2	2105367	Hose Assy (Hydraulic Motor/Control Valve)	1	..
2	2108682	Hose Assy (Hydraulic Motor/Control Valve)(Alternate Part)	1	..
2	2108682	Hose Assy (Hydraulic Motor/Control Valve)	1
2	2097346	Hose Assy (Hydraulic Motor/Control Valve)(Alternate Part)	1
3	2004005	Strap Clamp	3	3	3
4	127045	Clamp (Hose)	3	3	3
5	2097352	Pipe	1
5	2097353	Pipe	1	..
5	2097354	Pipe	1
6	b 1665775	Hose (Control Valve)	1	1	1
6	a 1665776	Hose (Control Valve)	1	1	1

FOOTNOTES:**a** Electro-Hydraulic**b** Manual Hydraulic

HYDRAULIC HOSES AND FITTINGS (FIGURE 6-8) STEERING

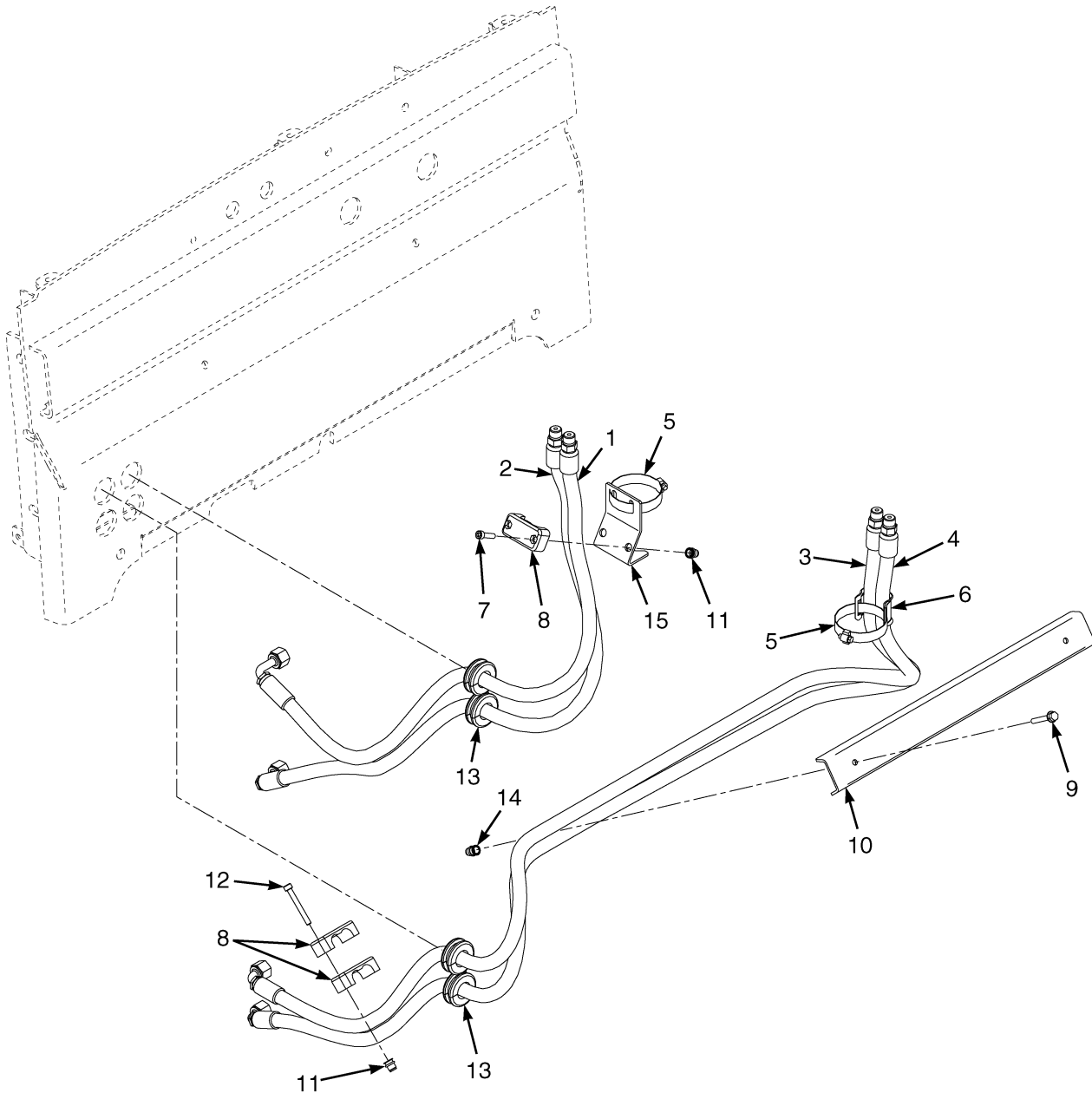


BP150252

**HYDRAULIC HOSES AND FITTINGS
STEERING****KEY:****A: With Synchronous Steering****B: Without Synchronous Steering**

ITEM	PART NO.	DESCRIPTION	QTY	
			A	B
1	2107783	Hose Assy (Hand Pump)	1	..
1	2107785	Hose Assy (Hand Pump)	1
2	2108364	Hose Assy (Hand Pump)	1	..
2	2108363	Hose Assy (Hand Pump)	1
3	1696039	Hose Assy (Control Valve)	1	1
4	1653847	Hose Assy (Control Valve)	1	1
5	1653846	Hose Assy (Control Valve/Hand Pump)	1	..
5	1683484	Hose Assy (Control Valve/Hand Pump)	1
6	1528602	Locknut	3	3
6	265787	O-Ring	1	1
7	1528601	Nut	1	1
7	1527813	O-Ring	1	1
8	1695958	Clamp	1	1
9	296160	Capscrew	1	1
10	1531558	Insert	1	1
11	304195	Grommet	1	1
12	137852	Strap Clamp	3	3
12	137852	Strap Clamp (Alternate Part)
13	166857	Clamp	1	1
14	129563	Strap Clamp	2	2
14	129563	Strap Clamp (Alternate Part)	4	4
15	2099212	Hose Assy (546 mm Battery Compartment)	2	2
15	2099214	Hose Assy (642 mm Battery Compartment)	2	2
15	2105368	Hose Assy (750 mm Battery Compartment)	2	2
16	1694632	Trim	1	1

HYDRAULIC HOSES AND FITTINGS (FIGURE 6-9) AUXILIARY HOSES



BP150329

HYDRAULIC HOSES AND FITTINGS
AUXILIARY HOSES**KEY:****A: 3 Function****B: 4 Function**

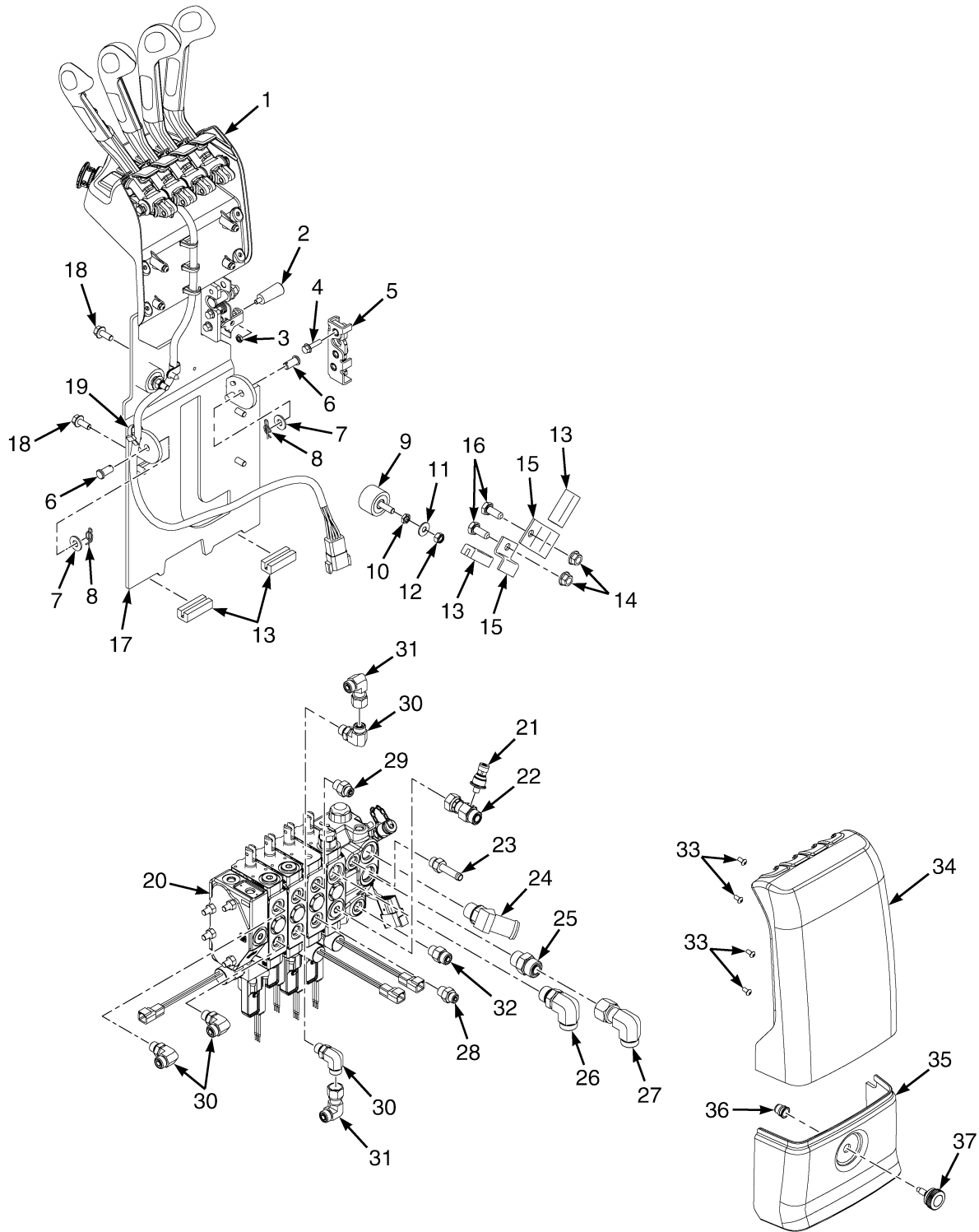
ITEM	PART NO.	DESCRIPTION	QTY	
			A	B
1	b 2110803	Hose Assy (Control Valve/Header Hoses)	1	1
1	a 2110807	Hose Assy (Control Valve/Header Hoses)	1	1
2	b 2110804	Hose Assy (Control Valve/Header Hoses)	1	1
2	a 2110808	Hose Assy (Control Valve/Header Hoses)	1	1
3	b 2110805	Hose Assy (Control Valve/Header Hoses)	1
3	a 2110809	Hose Assy (Control Valve/Header Hoses)	1
4	b 2110806	Hose Assy (Control Valve/Header Hoses)	1
4	a 2110810	Hose Assy (Control Valve/Header Hoses)	1
5	1481229	Clamp	1	2
6	1477996	Hose Clamp	1	1
7	1581741	Capscrew	2
8	1360386	Clamp (Double Hose)	3	3
9	d 1691168	Capscrew	2
9	e 1581577	Capscrew	2
10	1705047	Hose Guide	1
11	1531558	Insert	4	4
12	296001	Capscrew	2	2
13	4001210	Grommet	2	4
14	d 1531001	Insert	2
14	e 1614087	Insert	2
15	4018541	Bracket	1	1
	c 4016753	Plug (3 Function only)	2	..
	c 1673754	Washer	2

FOOTNOTES:

a Electro Hydraulic
b Manual Hydraulic
c Not Illustrated

d → PENDING PER ECN 13416125
e PENDING PER ECN 13416125 →

HYDRAULIC CONTROLS (FIGURE 6-10) MANUAL



BP150461

**HYDRAULIC CONTROLS
MANUAL****KEY:****A: 3 Function****B: 4 Function**

ITEM	PART NO.	DESCRIPTION	QTY	
			A	B
1	Manual Lever Linkage Assembly (☞ Figure 6-11).....
2	1694731	Handle	1	1
3	Nut	1	1
4	1527878	Capscrew	3	3
5	1674167	Latch	1	1
6	1674165	Pin	2	2
7	1702735	Washer	2	2
8	1351689	Locking Cotter Pin	2	2
9	4015304	Rubber Mount	2	2
10	1593335	Nut	2	2
11	320158	Washer	2	2
12	302400	Nut	2	2
13	1388309	Strip Seal	4	4
14	1460477	Nut	2	2
15	324972	Bracket	2	2
16	287854	Capscrew	2	2
17	2107658	Bracket Wldmt	1	1
18	1527880	Capscrew	3	3
19	129563	Strap Clamp	1	1
20	Hydraulic Control Valve Assembly (☞ Figure 6-12).....
21	1707681	Pressure Transducer	1	1
22	1687430	T-Fitting (Load Sensing)	1	1
23	222492	Fitting (Steering Return)	1	1
23	16483	O-Ring	1	1
24	1652295	Fitting	1	1
25	1486749	Fitting	1	1
25	252729	O-Ring	1	1
25	16485	O-Ring	1	1
26	1487067	Fitting	1	1
26	252729	O-Ring	1	1
26	16485	O-Ring	1	1
27	1486773	Fitting	1	1
27	252729	O-Ring	2	2
28	1486738	Fitting	2	2
28	1527813	O-Ring	1	1
28	16483	O-Ring	1	1
29	b 893841	Fitting	1	1
30	1487063	Fitting (Steering Supply)	2	4
30	265787	O-Ring	1	1
30	16483	O-Ring	1	1
31	1473895	Fitting	2	4
32	1704570	Check Valve	1	1
33	296151	Capscrew	6	6
34	2105525			
	4601702	Cover	1	1

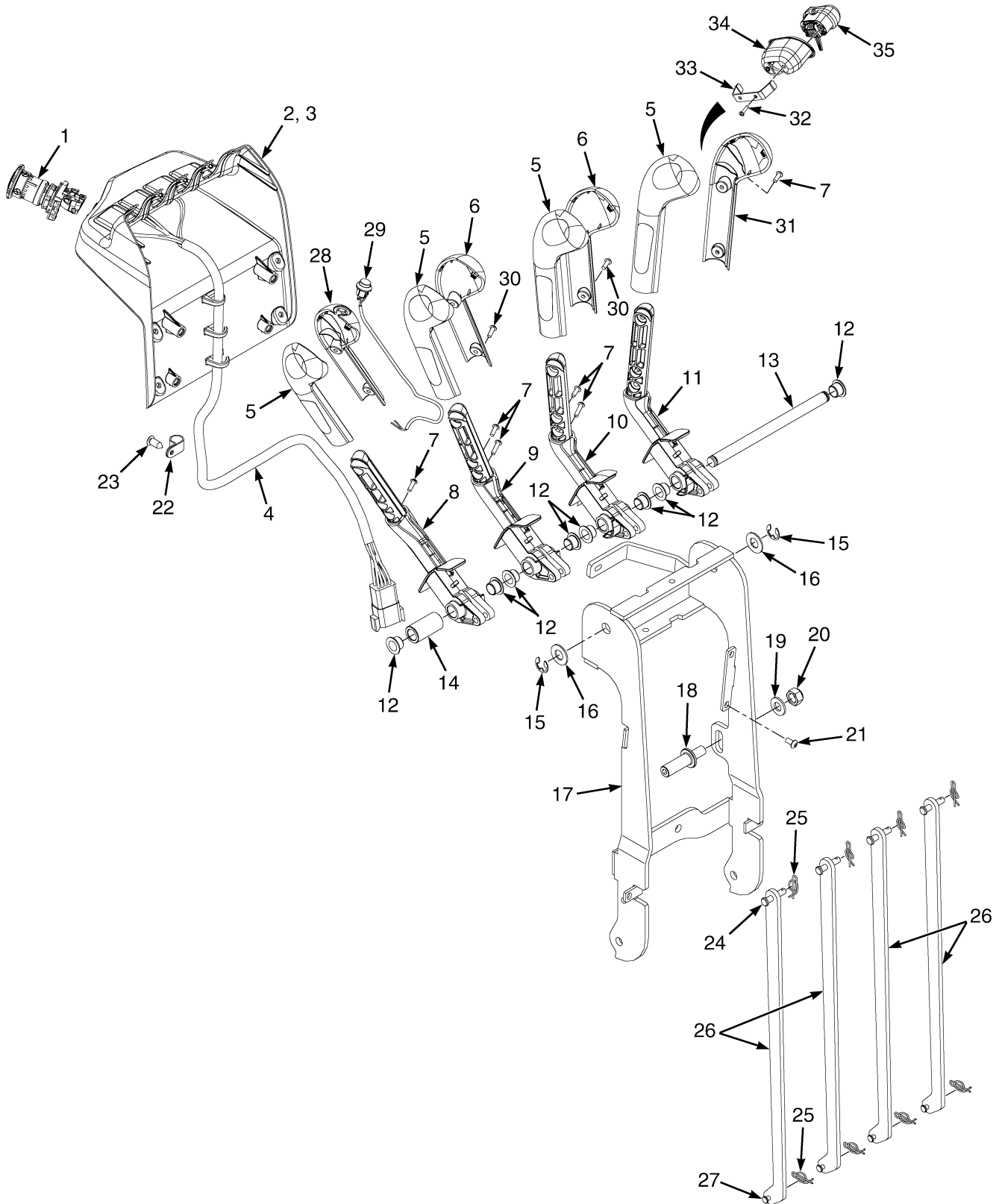
HYDRAULIC CONTROLS MANUAL

KEY:**A: 3 Function****B: 4 Function**

ITEM	PART NO.	DESCRIPTION	QTY	
			A	B
35	2105488			
	4612820	Cover	1	1
36	1530243	Insert	1	1
37	1661053	Screw	1	1
	a 360387	Loctite	AR	AR

FOOTNOTES:**a** Not Illustrated**b** → 10/2011

HYDRAULIC LEVERS - LINKAGE ASSEMBLY (MANUAL) (FIGURE 6-11)



BP150405

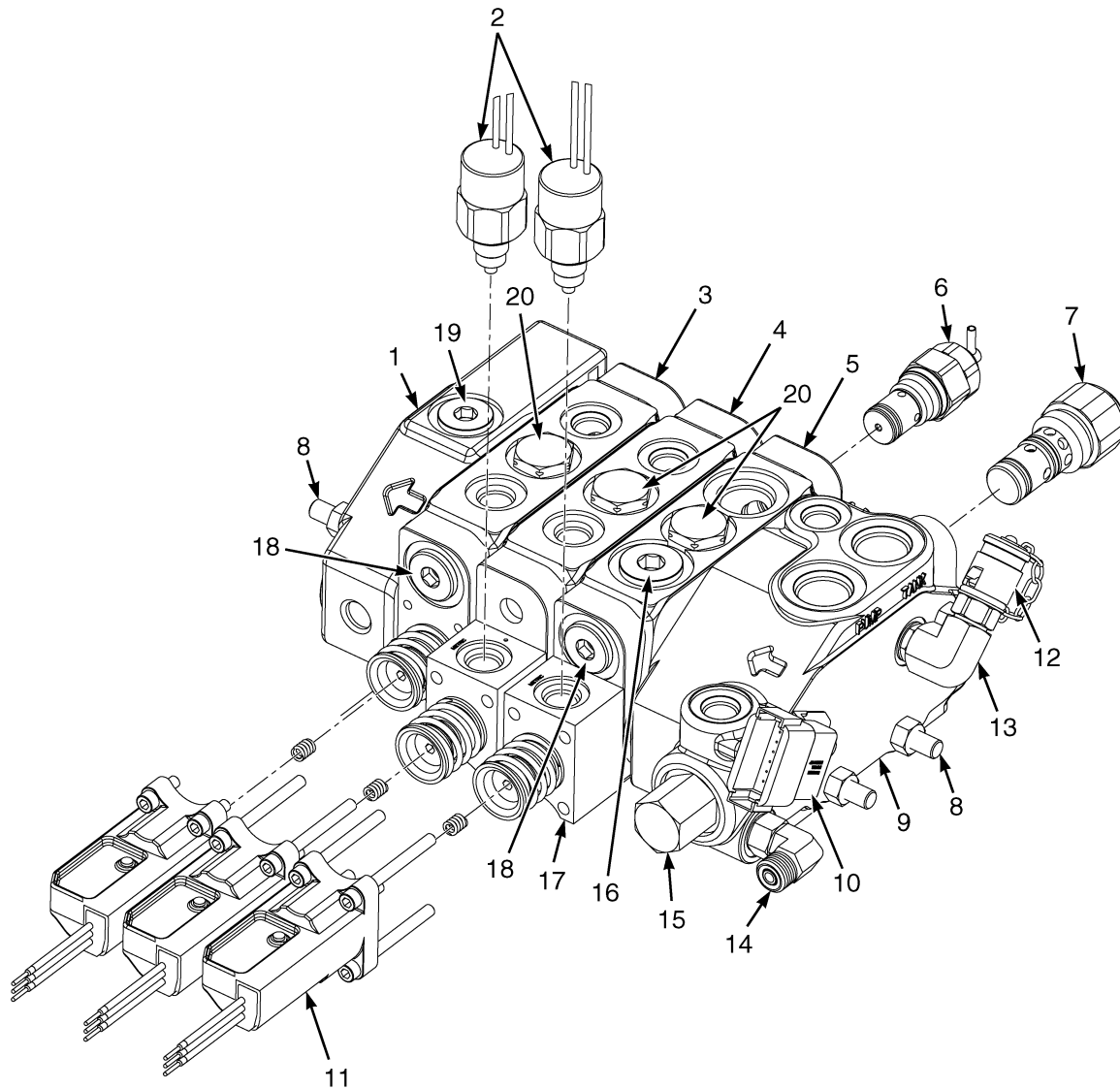
HYDRAULIC LEVERS - LINKAGE ASSEMBLY (MANUAL)**KEY:****A: 3 Function****B: 4 Function**

ITEM	PART NO.	DESCRIPTION	QTY	
			A	B
	Linkage Assembly	1	1
1	2107320	Push Button Switch	1	1
2	2111173	Cover	1	1
3	2105528			
	4601859	Cover (Not Shown)	1	..
4	2107661	Wire Harness (Emergency Disconnect)	1	1
5	2104011	Handle	3	4
6	2104012	Handle	1	2
7	1694830	Capscrew	5	8
8	1699350	Lever (Aux 2)	1	1
9	1699349	Lever (Aux 1)	1	1
10	1699348	Lever (Manual Tilt)	1	1
11	1699347	Lever (Manual Lift)	1
12	1657016	Bushing	6	8
13	1657013	Pin	1	1
14	1657021	Spacer	1	..
15	1530971	E-Ring	2	2
16	1682764	Washer	2	2
17	1674173			
	4017863	Bracket Wldmt	1	1
17	1705049	Bracket Wldmt (Alternate Part)	1	1
18	1674168			
	4011232	Striker	1	1
19	320159	Washer	1	1
20	302401	Locknut	1	1
21	296151	Capscrew	5	5
22	1694613	Clip	1	1
23	1582464	Fastener	1	1
24	1657014	Pin	3	4
25	1517361	Locking Ring Cotter Pin	6	8
26	c 2107660	Link	3	4
26	d 4027315	Link	3	4
27	309109	Pin	3	4
28	a 2104014	Handle	1	1
28	b 2104012	Handle	1	1
29	2100705	Wire Harness (Manual Interlock)	1	1
30	1694830	Capscrew	5	8
31	a 2109136	Handle	1	1
31	b 2104012	Handle	1	1
32	a 227132	Screw	2	2
33	a 1696034	Retainer	1	1
34	a 2109137	Cup	1	1
35	a 2101896	Switch	1	1

FOOTNOTES:

- a** With Directional Control/With Clamping
- b** Without Directional Control/Without Clamping
- c** → PENDING PER ECN 13416114
- d** PENDING PER ECN 13416114 →

CONTROL VALVE (FIGURE 6-12) MANUAL — 3 AND 4 FUNCTION (→ S/N A935B02890K)



HP140044

CONTROL VALVE
MANUAL – 3 AND 4 FUNCTION (→ S/N A935B02890K)

KEY:

A: 3 Function

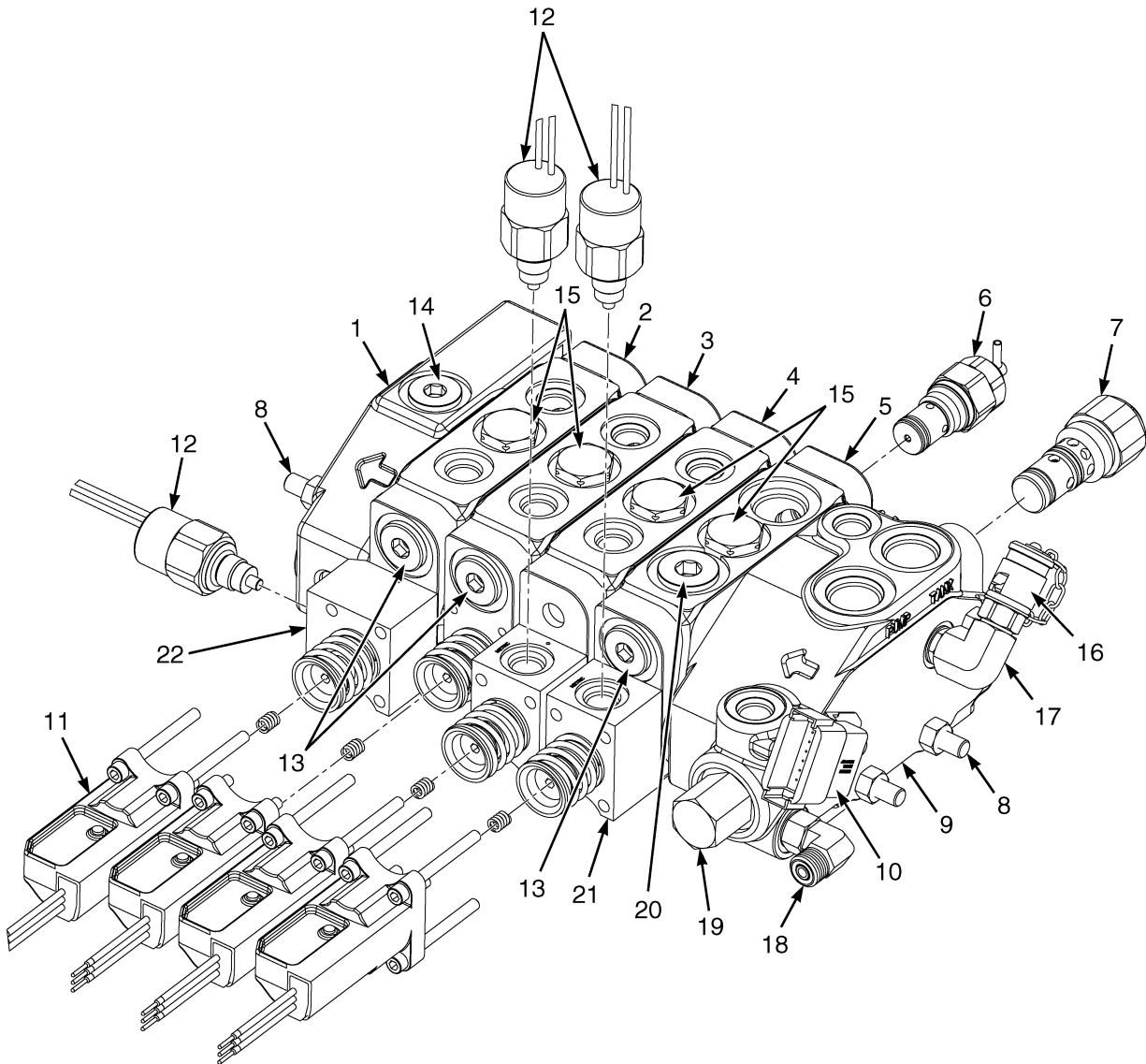
B: 4 Function

ITEM	PART NO.	DESCRIPTION	QTY	
			A	B
	c 2094688	Hydraulic Control Valve Assembly (w/o Clamping)	1	..
	d 2094689	Hydraulic Control Valve Assembly (w/o Clamping)	1
	f 4600578	Hydraulic Control Valve Assembly (w/o Clamping)	1	..
	g 4600579	Hydraulic Control Valve Assembly (w/o Clamping)	1
	e 2098771	Hydraulic Control Valve Assembly	1
	h 4600581	Hydraulic Control Valve (w/ Clamping)	1
1	1701861	Valve Section (Outlet) (☞Figure 6-16).....	1	1
2	1701855	Spool (Solenoid)	2	2
3	1701859	Valve Section (Aux 1) (☞Figure 6-15).....	1	2
4	1701858	Valve Section (Tilt) (☞Figure 6-15).....	1	1
4	4027844			
	4022029	Valve Section (Alternate Part)	1	1
5	1701857	Valve Section (Lift) (☞Figure 6-15).....	1	1
6	1701854	Lowering Control Valve	1	1
7	1701853	Relief Valve	1	1
8	1701849	Kit-Tie Rod (Tie Rod) (☞Figure 6-17).....	1	..
8	1701845	Kit-Tie Rod (☞Figure 6-17).....	..	1
9	1701856	Valve Section (Inlet) (☞Figure 6-14).....	1	1
10	1701817	Kit-Connector	1	1
10	1701815	Connector	1	1
10	1701816	Connector	1	1
10	1701368	Clip	1	1
10	1701369	Plug	1	1
10	1701373	Nut	1	1
11	1701654	Kit-Sensor (Position Sensor) (☞Figure 6-18).....	3	4
12	2061646	Fitting (Diagnostic)	1	1
13	1545546	Fitting	1	1
14	4011176	Fitting	1	1
15	4011175	Plug	1	1
16	1701830	Plug	1	1
17	4011174	Body	2	2
18	4011172	Plug	3	5
19	235691	Fitting	1	1
20	4011178	Plug	3	4
	b 4011173	Body	1
	b 4011179	Plug	2	2
	a 1701818	Kit-Seal Valve	1	1

FOOTNOTES:

- | | | | |
|----------|---|----------|-----------------------------------|
| a | Contains Kits 1701819 Inlet Valve Seal, 1701820 Work Section Valve Seal and 1701821 Outlet Valve Seal | e | → S/N A935B01901H |
| b | Not Illustrated | f | S/N A935B01833H ↔ S/N A935B02890K |
| c | → S/N A935B01832H | g | S/N A935B01899H ↔ S/N A935B02896K |
| d | → S/N A935B01898H | h | S/N A935B01902H ↔ S/N A935B02900K |

HYDRAULIC CONTROL VALVE (FIGURE 6-13) MANUAL — 3 AND 4 FUNCTION (S/N A935B02891K →)



BP140142

**HYDRAULIC CONTROL VALVE
MANUAL – 3 AND 4 FUNCTION (S/N A935B02891K →)**

KEY:

A: 3 Function

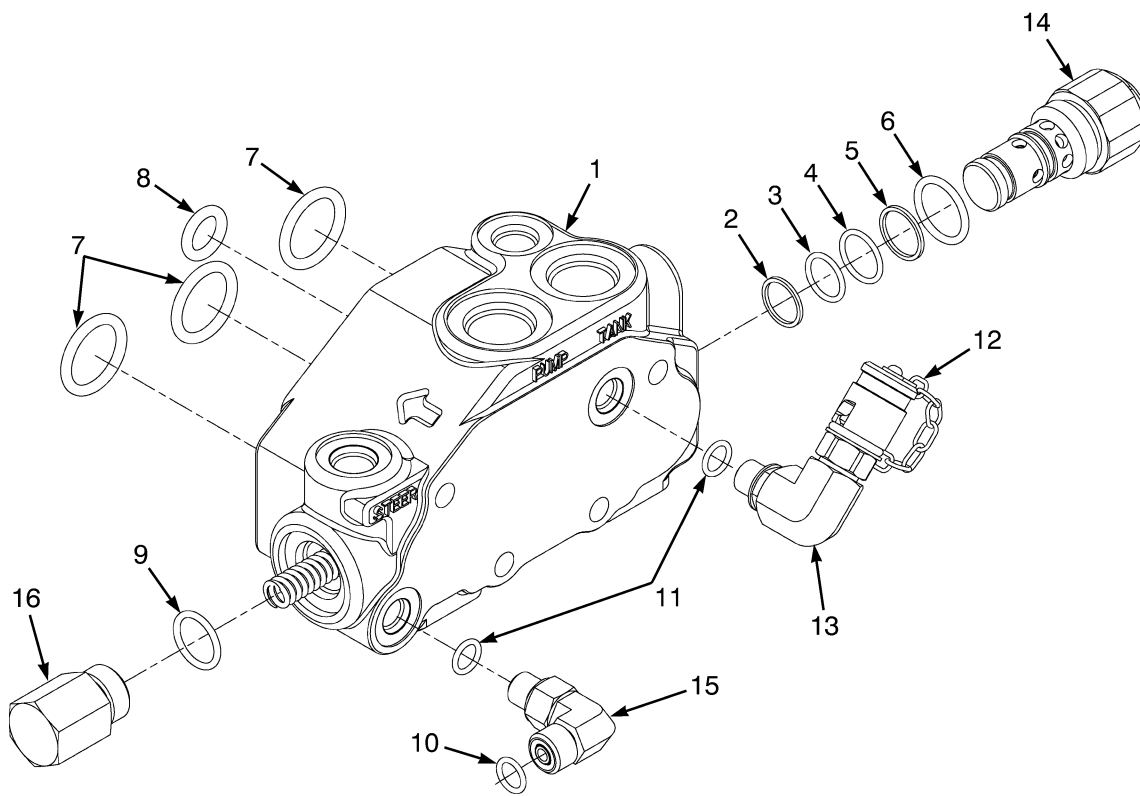
B: 4 Function

ITEM	PART NO.	DESCRIPTION	QTY	
			A	B
	c 4606463	Hydraulic Control Valve (w/o Clamping)	1	..
	d 4606464	Hydraulic Control Valve (w/o Clamping)	1
	e 4606465	Hydraulic Control Valve (w/clamping)	1
1	1701861	Valve Section (Outlet) (☞Figure 6-16).....	1	1
1	1701821	Kit-Seal Valve	1	1
2	1701860	Valve Section (Aux 2) (☞Figure 6-15).....	..	1
2	1701820	Kit-Seal Valve	1
3	1701859	Valve Section (Aux 1) (☞Figure 6-15).....	1	1
3	1701820	Kit-Seal Valve	1	1
4	4027844			
	4022029	Valve Section (Tilt) (☞Figure 6-15).....	1	1
4	1701820	Kit-Seal Valve	1	1
5	1701857	Valve Section (Lift) (☞Figure 6-15).....	1	1
5	1701820	Kit-Seal Valve	1	1
6	1701854	Lowering Control Valve	1	1
7	1701853	Relief Valve	1	1
8	1701849	Kit-Tie Rod (☞Figure 6-17).....	1	..
8	1701845	Kit-Tie Rod	1
9	1701856	Valve Section (Inlet)	1	1
9	1701819	Kit-Seal Valve (☞Figure 6-14).....	1	1
10	1701817	Kit-Connector	1	1
10	1701815	Connector	1	1
10	1701816	Connector	1	1
10	1701368	Clip	1	1
10	1701369	Plug	1	1
10	1701373	Nut	1	1
11	1701654	Kit-Sensor (Position Sensor) (☞Figure 6-18).....	3	4
12	1701855	Spool (Solenoid)	2	3
12	1701820	Kit-Seal Valve	1	1
13	4011172	Plug	3	5
14	235691	Fitting	1	1
15	4011178	Plug	3	4
16	2061646	Fitting (Diagnostic)	1	1
17	1545546	Fitting	1	1
18	4011176	Fitting	1	1
19	4011175	Plug	1	1
20	1701830	Plug	1	1
21	4011174	Body (Spool Lock)	2	2
22	4011173	Body (Spool Lock)	1	1
	ab 1701818	Kit-Seal Valve	1	1
	b 4011179	Plug	1	1

FOOTNOTES:

- a** Contains Kits 1701819, 1701820 and 1701821
- b** Not Illustrated
- c** S/N A935B02891K →
- d** S/N A935B02897K →
- e** S/N A935B02901K →

INLET SECTION (FIGURE 6-14) MANUAL HYDRAULIC CONTROL VALVE

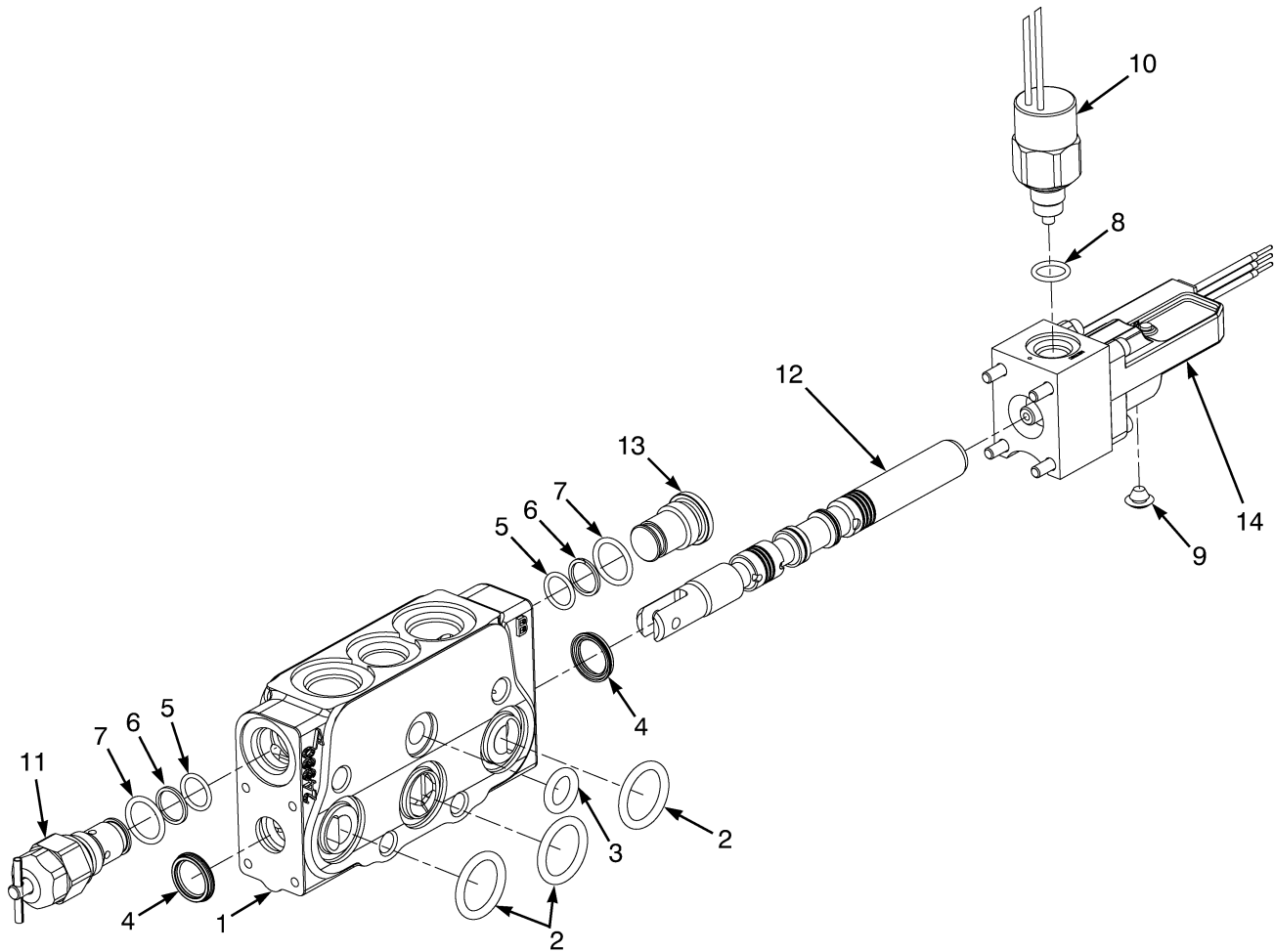


BP140141

INLET SECTION
MANUAL HYDRAULIC CONTROL VALVE

ITEM	PART NO.	DESCRIPTION	QTY
	1701856	Valve Section (Inlet Assembly)	1
2	1701836	Back-Up Ring	1
3	1701837	O-Ring	1
4	1701838	O-Ring	1
5	1701839	Back-Up Ring	1
6	1701840	O-Ring	1
7	1701823	O-Ring	3
8	1701824	O-Ring	1
9	1696296	O-Ring	1
10	1701843	O-Ring	2
11	1696311	O-Ring	1
12	2061646	Fitting (Diagnostic)	1
13	1545546	Fitting	1
14	1701853	Relief Valve	1
15	Fitting	1
16	Plug	1
	1701819	Kit-Seal Valve	1

LIFT/TILT/AUXILIARY SECTION (FIGURE 6-15) MANUAL HYDRAULIC CONTROL VALVE



BP140140

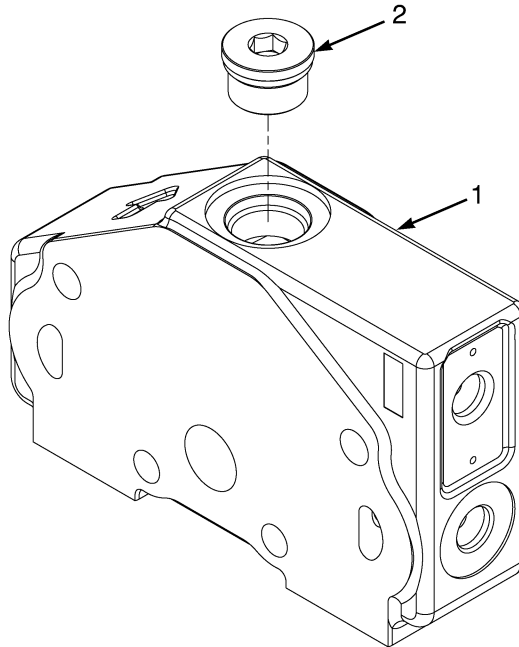
**LIFT/TILT/AUXILIARY SECTION
MANUAL HYDRAULIC CONTROL VALVE**

ITEM	PART NO.	DESCRIPTION	QTY
1	1701857	Valve Section (Lift Section)	1
1	1701858	Valve Section (Tilt Section)	1
1	4027844		
	4022029	Valve Section (Alternate Part)	1
1	1701859	Valve Section (Aux. 1 Section)	1
1	1701860	Valve Section (Aux 2 Section)	1
2	1701823	O-Ring	3
3	1701824	O-Ring	1
4	1701825	Seal	2
5	1701826	O-Ring	2
6	1701827	Back-Up Ring	2
7	1701828	O-Ring	3
8	1701829	O-Ring	1
9	288474	Plug	1
10	1701855	Spool (Solenoid)	1
11	1701854	Lowering Control Valve	1
12	Spool	1
13	Plug	1
14	1701654	Kit-Sensor	1
	a 1701830	Plug	1
	a 1328722	O-Ring	1
	1701820	Kit-Seal Valve	1

FOOTNOTES:

a Not Illustrated

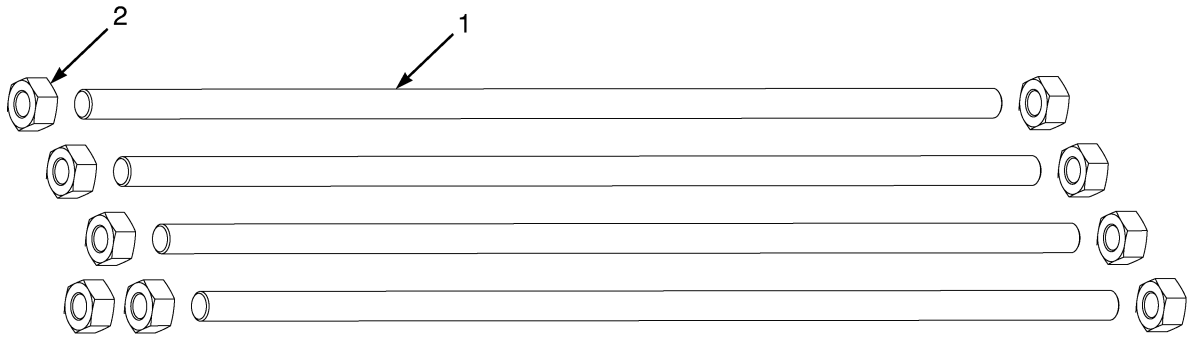
OUTLET SECTION (FIGURE 6-16) MANUAL HYDRAULIC CONTROL VALVE



BP140138

ITEM	PART NO.	DESCRIPTION	QTY
1	1701861	Valve Section (Outlet Section)	1
2	235691	Fitting	1
	1701821	Kit-Seal Valve	1

**TIE RODS (FIGURE 6-17)
MANUAL HYDRAULIC CONTROL VALVE**



BP140063

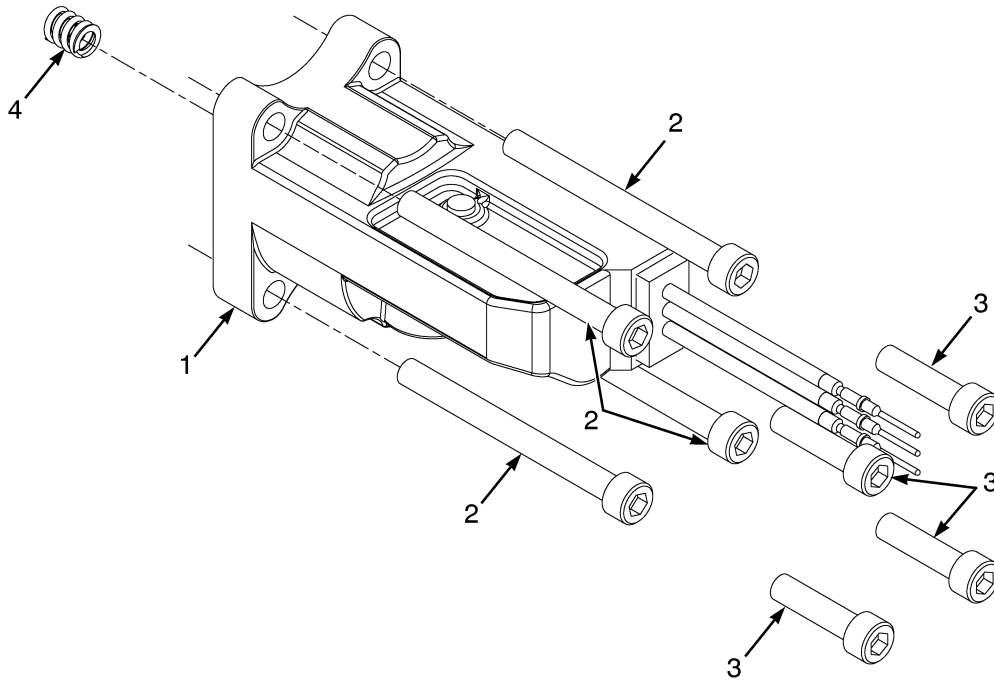
KEY:

A: 3 Function (258 mm)

B: 4 Function (298 mm)

ITEM	PART NO.	DESCRIPTION	QTY	
			A	B
	1701849	Kit-Tie Rod	1	..
	1701845	Kit-Tie Rod	1
1	1701848	Stud	4	..
1	1701846	Stud	4
2	1701847	Nut	9	9

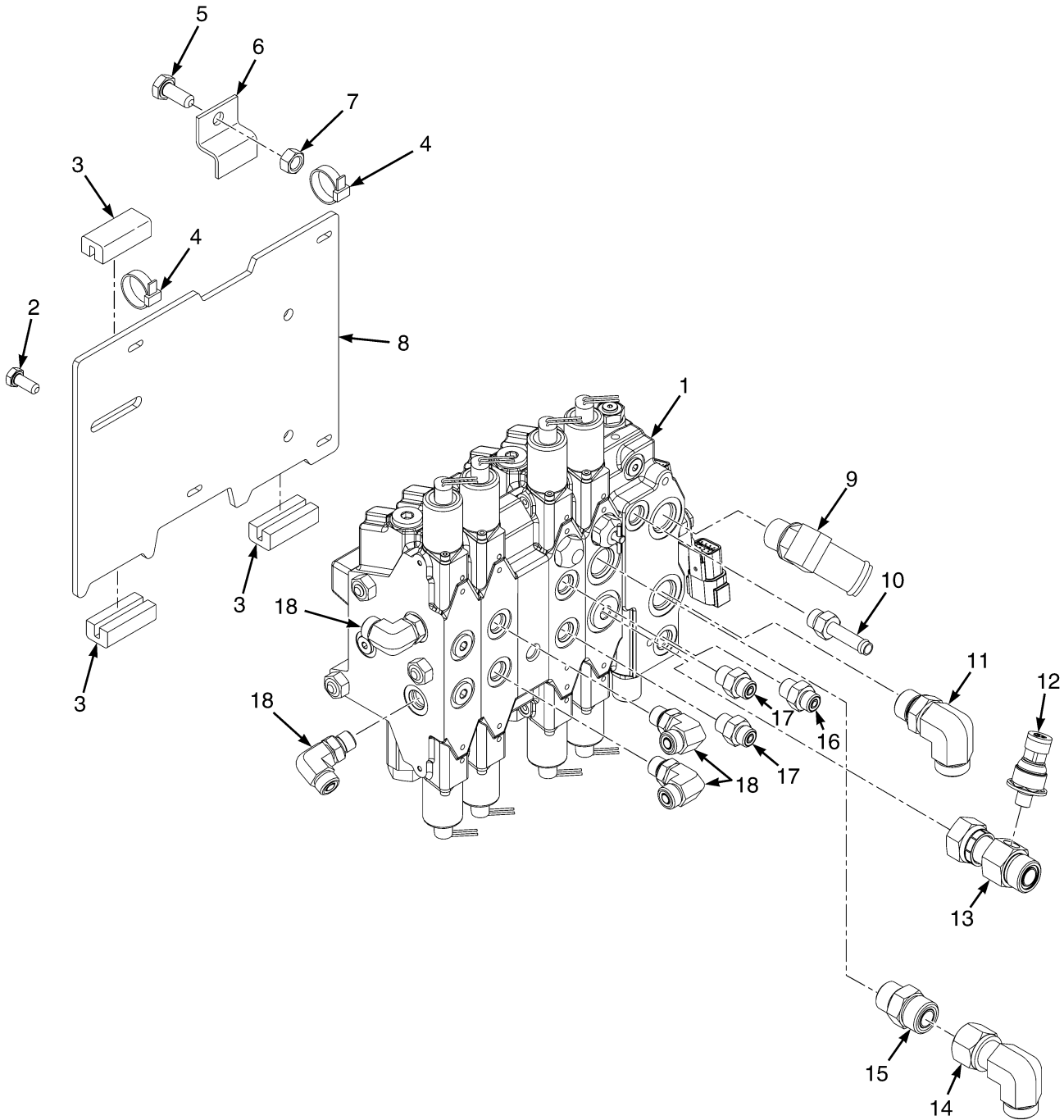
POSITIONER SENSOR (FIGURE 6-18) MANUAL HYDRAULIC CONTROL VALVE



BP140139

ITEM	PART NO.	DESCRIPTION	QTY
1	Sensor	1
2	18096	Capscrew	4
3	18089	Capscrew	4
4	1703512	Spring	1
	1701654	Kit-Sensor	1

HYDRAULIC CONTROLS (FIGURE 6-19) ELECTRO-HYDRAULIC



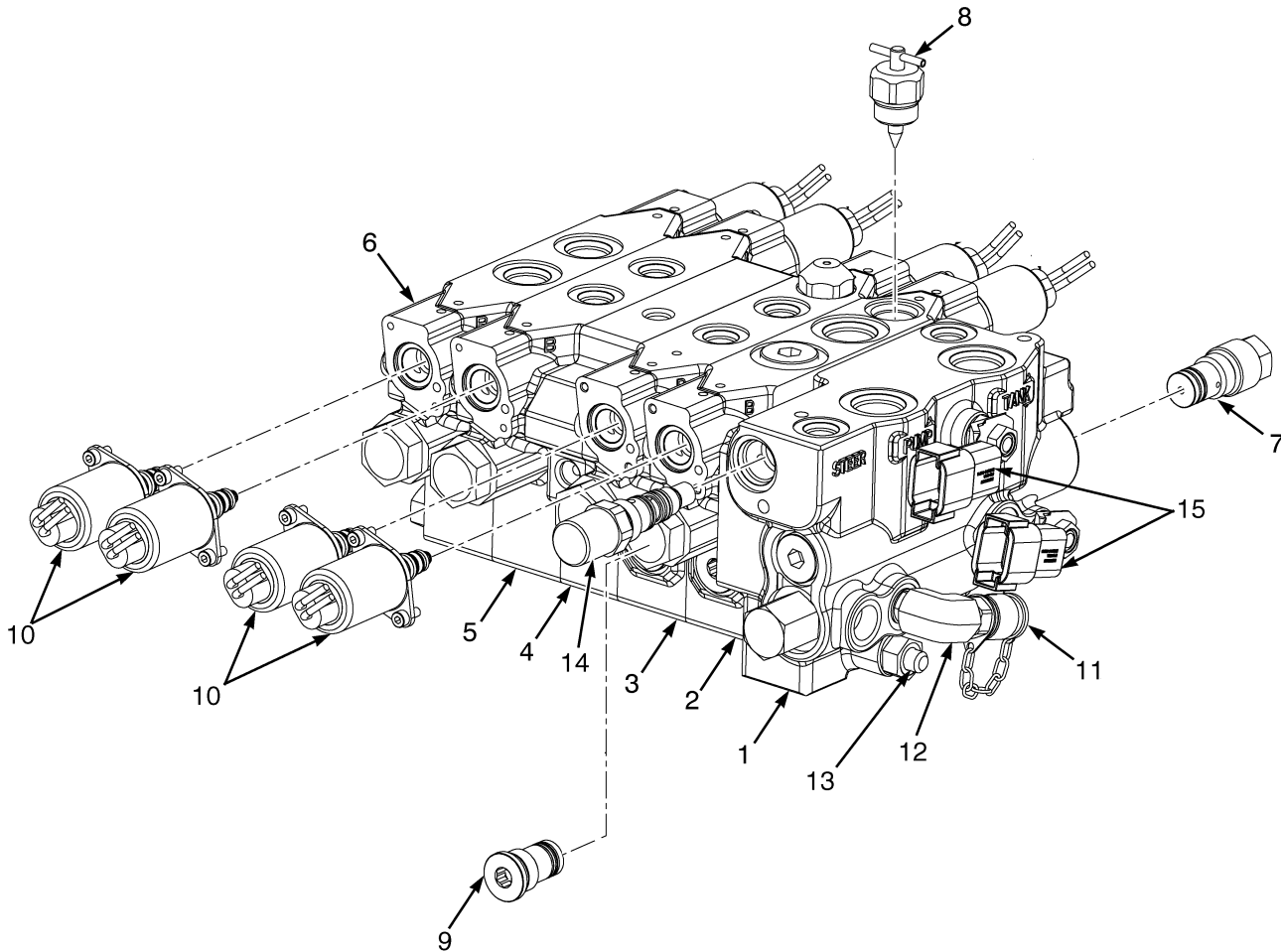
BP150464

**HYDRAULIC CONTROLS
ELECTRO-HYDRAULIC****KEY:****A: 3 Function****B: 4 Function**

ITEM	PART NO.	DESCRIPTION	QTY	
			A	B
1	2103157	Hydraulic Control Valve (☞Figure 6-20).....	1	..
1	2103162	Hydraulic Control Valve (☞Figure 6-20).....	..	1
2	1527880	Capscrew	3	3
3	1388309	Strip Seal	3	3
4	129563	Strap Clamp	4	4
5	287854	Capscrew	1	1
6	324972	Bracket	1	1
7	1460477	Nut	1	1
8	1695520	Plate	1	1
9	1652295	Fitting	1	1
9	16485	O-Ring	1	1
10	222492	Fitting (Steering Return)	1	1
10	16485	O-Ring	1	1
11	1487067	Fitting	1	1
11	252729	O-Ring	1	1
11	16485	O-Ring	1	1
12	a 1707681	Pressure Transducer	1	1
13	a 1687430	T-Fitting (Load Sensing)	1	1
14	1486773	Fitting	1	1
14	252729	O-Ring	2	2
15	1486749	Fitting	1	1
15	252729	O-Ring	1	1
15	16485	O-Ring	1	1
16	1704570	Check Valve	1	1
17	1486738	Fitting	2	2
17	1527813	O-Ring	1	1
17	16483	O-Ring	1	1
18	1487063	Fitting (Steering Supply)	2	4
18	265787	O-Ring	1	1
18	16483	O-Ring	1	1

FOOTNOTES:**a** 11/2008 →

CONTROL VALVE (FIGURE 6-20) ELECTRO-HYDRAULIC — 3 AND 4 FUNCTION



BP080782

CONTROL VALVE
ELECTRO-HYDRAULIC – 3 AND 4 FUNCTION

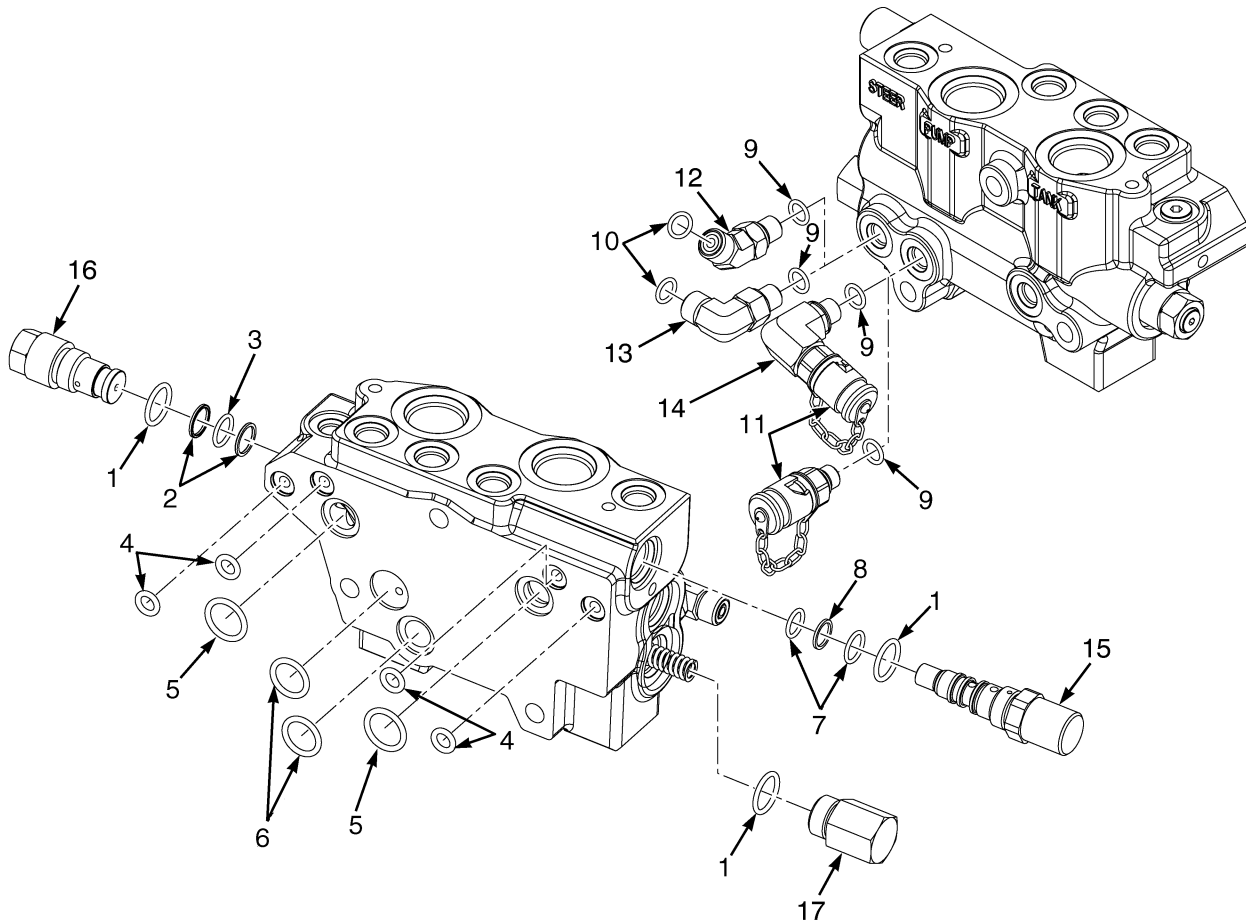
ITEM	PART NO.	DESCRIPTION	QTY
	a 2103157	Hydraulic Control Valve	1
	b 2103162	Hydraulic Control Valve	1
1	1695979	Valve Section (Inlet) (☞ Figure 6-21).....	1
2	1695980	Valve Section (Lift) (☞ Figure 6-22).....	1
3	1695981	Valve Section (Tilt) (☞ Figure 6-22).....	1
4	1695982	Valve Section (Spacer)	1
4	1696266	Kit-Seal (Order one for each valve section)	1
5	b 1696225	Valve Section (Dual Aux)	1
5	1696266	Kit-Seal (Order one for each valve section)	1
6	1695984	Valve Section (End Aux)	1
6	1696266	Kit-Seal (Order one for each valve section)	1
7	1695978	Relief Valve	1
8	1696312	Lowering Control Valve	1
9	1696317	Plug (Compensator)	1
10	a 1696315	Solenoid Valve	6
10	b 1696315	Solenoid Valve	8
11	2061646	Fitting (Diagnostic)	1
12	1545546	Fitting	1
13	a 1695985	Tie Rod (Assembly) (☞ Figure 6-23).....	1
13	b 1696228	Tie Rod (Assembly) (☞ Figure 6-23).....	1
14	1696318	Pilot Valve	1
15	1701367	Kit-Service (Connector Assembly)	1
15	1701368	Clip	2
15	1701369	Plug	4
15	1701370	Connector	1
15	1701371	Connector	1
15	1701372	Connector	2
15	1701373	Nut	2
	c 1696319	Kit-Seal	1

FOOTNOTES:

- a** 3 Function
b 4 Function

- c** Contains Kits 1696414 and 1696266

INLET SECTION (FIGURE 6-21) ELECTRO-HYDRAULIC CONTROL VALVE

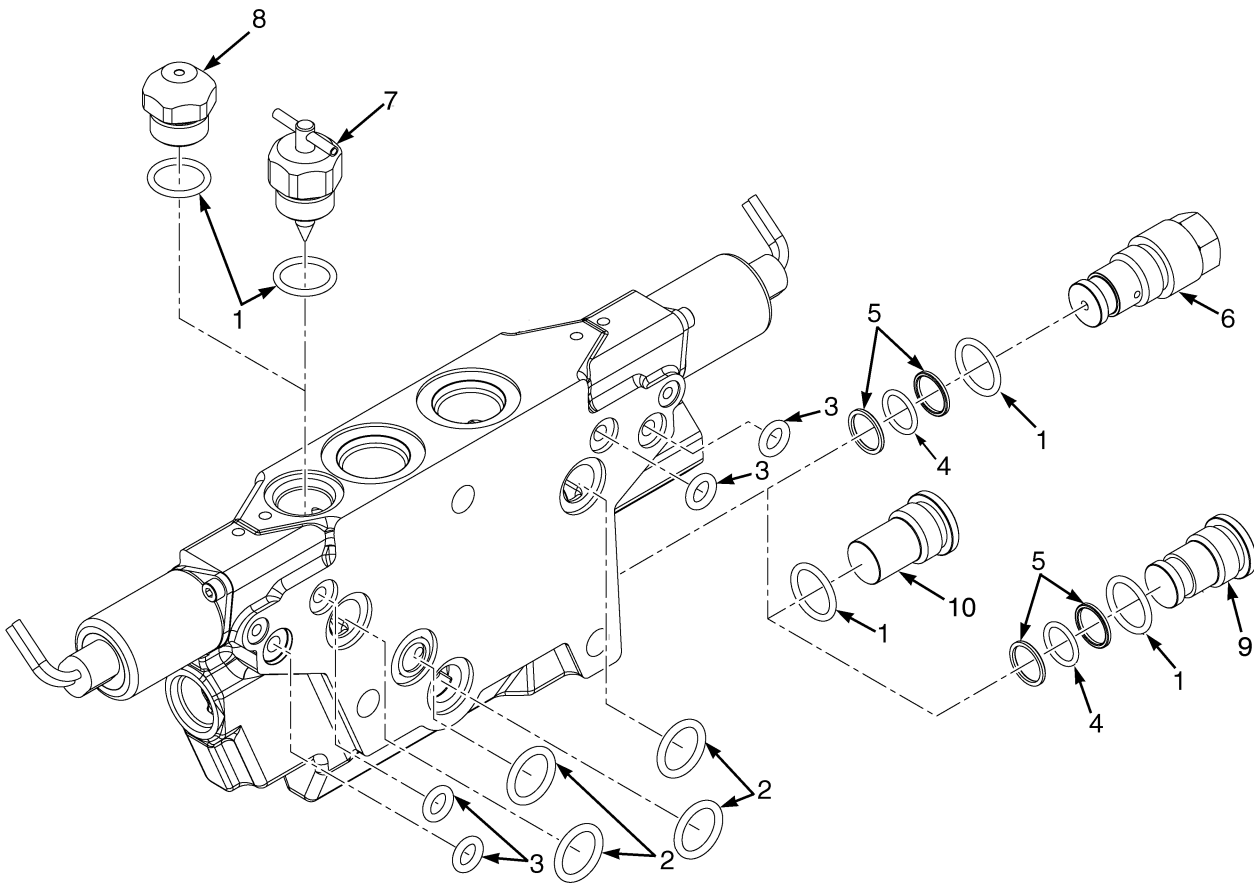


BP140025

**INLET SECTION
ELECTRO-HYDRAULIC CONTROL VALVE**

ITEM	PART NO.	DESCRIPTION	QTY
	1695979	Valve Section (Inlet Section Assembly)	1
1	1696296	O-Ring	3
2	1696300	Back-Up Ring	2
3	1696299	O-Ring	1
4	1696298	O-Ring	4
5	1696306	O-Ring	2
6	1696297	O-Ring	2
7	1696308	O-Ring	2
8	1696309	Back-Up Ring	1
9	1696310	O-Ring	3
10	1696311	O-Ring	1
11	2061646	Fitting (Diagnostic)	2
12	222442	Fitting	2
12	204128	Plug	1
12	16481	O-Ring	1
13	222443	Fitting	1
13	16483	O-Ring	1
14	235691	Fitting	1
14	16484	O-Ring	1
15	1696318	Pilot Valve	1
16	1695978	Relief Valve	1
17	Plug	1
	1696414	Kit-Seal	1

LIFT/TILT SECTION (FIGURE 6-22) ELECTRO-HYDRAULIC CONTROL VALVE

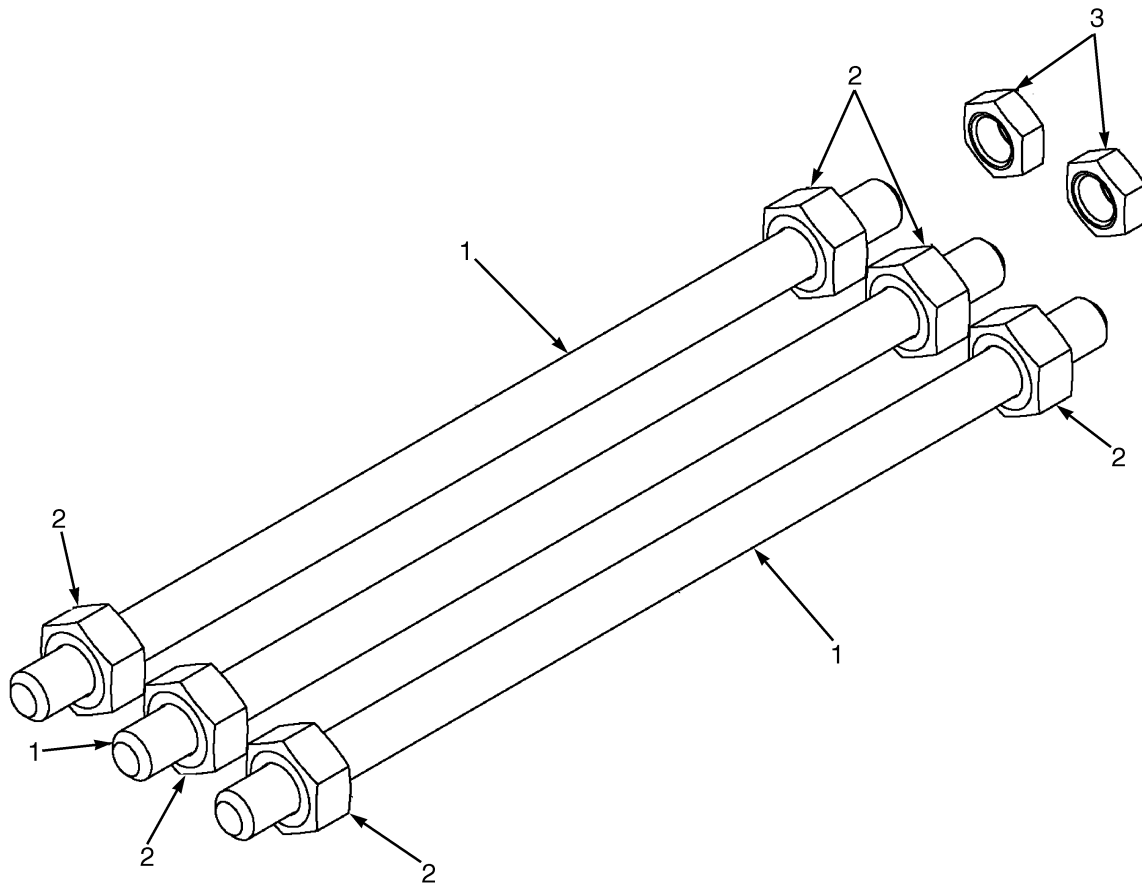


BP140051

**LIFT/TILT SECTION
ELECTRO-HYDRAULIC CONTROL VALVE**

ITEM	PART NO.	DESCRIPTION	QTY
	1695980	Valve Section (Lift Section Assembly)	1
	1695981	Valve Section (Tilt Section Assembly)	1
1	1696296	O-Ring	2
2	1696297	O-Ring	4
3	1696298	O-Ring	4
4	1696299	O-Ring	1
5	1696300	Back-Up Ring	2
6	1695978	Relief Valve (Tilt)	1
7	1696312	Lowering Control Valve (Lift)	1
8	Plug (Port Option) (Tilt)	1
9	Fitting (Tilt)	1
10	Fitting (Lift)	1
	1696266	Kit-Seal (Order one for each valve section)	1

**TIE RODS (FIGURE 6-23)
ELECTRO-HYDRAULIC CONTROL VALVE**



BP140019

TIE RODS
ELECTRO-HYDRAULIC CONTROL VALVE

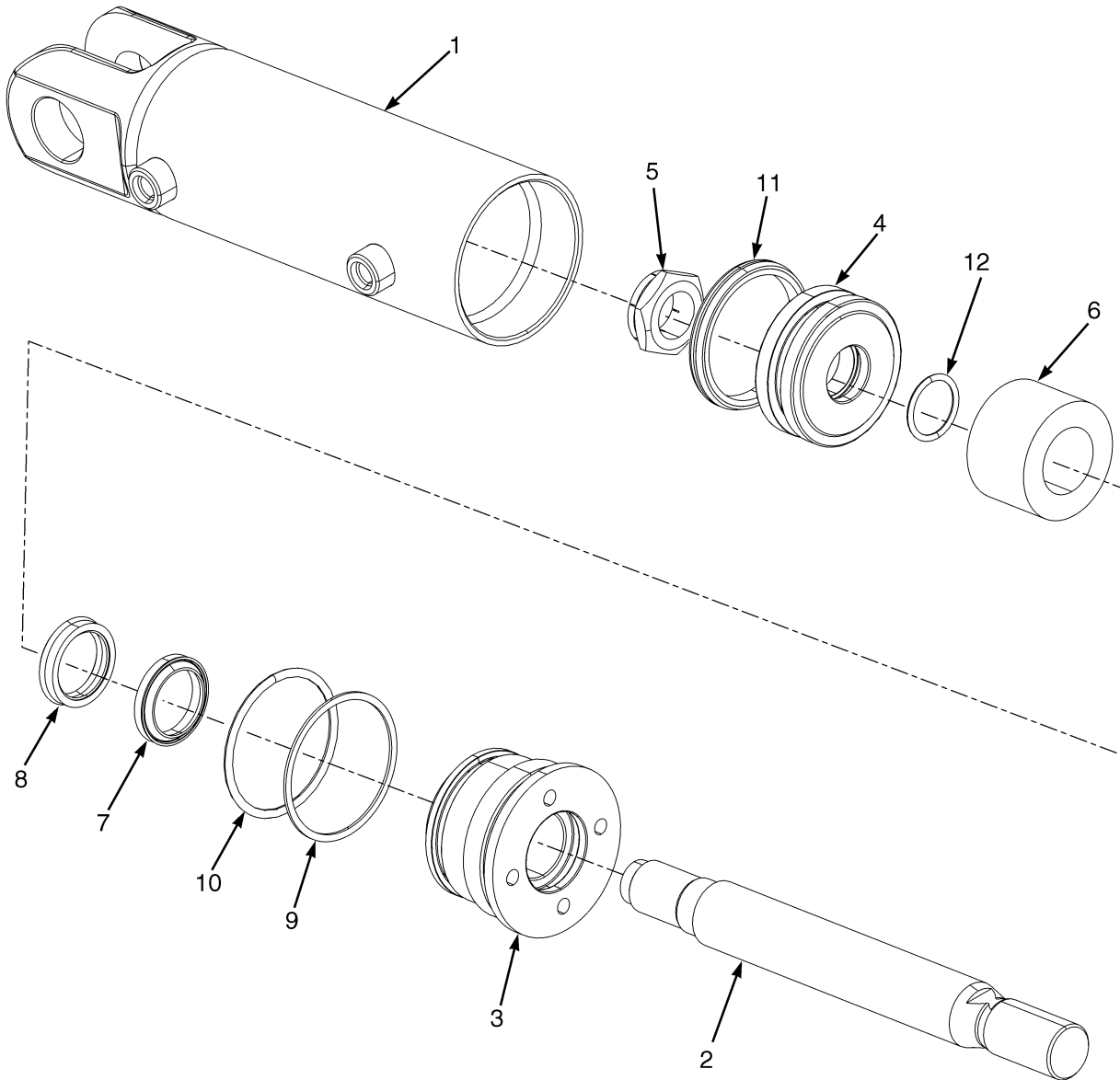
KEY:

A: 3 Function

B: 4 Function

ITEM	PART NO.	DESCRIPTION	QTY	
			A	B
	1695985	Tie Rod (Kit)	1	..
	1696228	Tie Rod (Kit)	1
1	1696453	Tie Rod (Bolt)	3	..
1	1696420	Bolt	3
2	1696419	Nut	6	6
3	1696418	Nut	2	2

TILT CYLINDER ASSEMBLY (FIGURE 6-24)

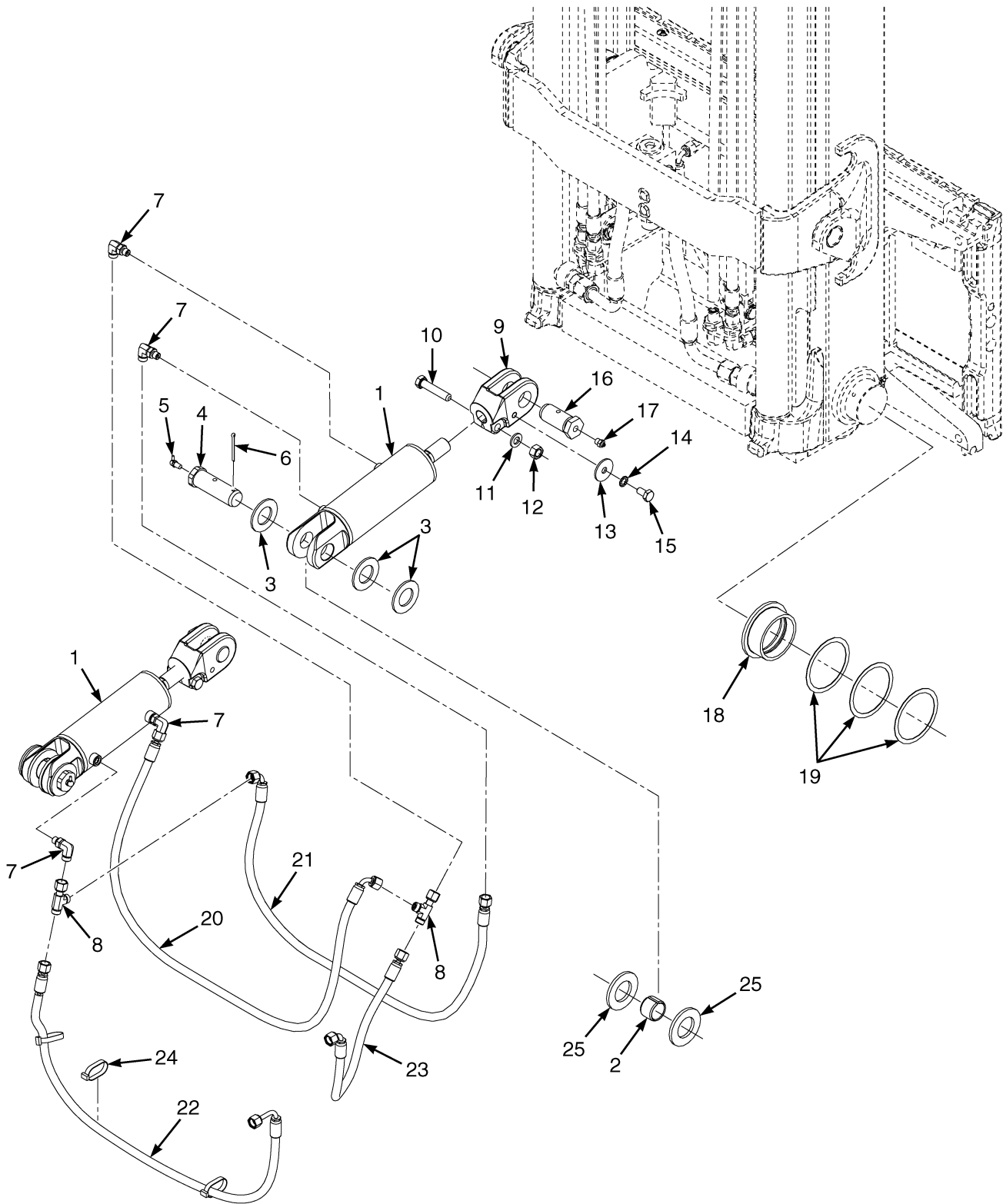


BP150288

TILT CYLINDER ASSEMBLY**KEY:****A: 5 degrees forward/5 degrees backward****B: 10 degrees forward/5 degrees backward****C: 5 degrees forward/4 degrees backward**

ITEM	PART NO.	DESCRIPTION	QTY		
			A	B	C
	2093072	Tilt Cylinder	1
	2093073	Tilt Cylinder	1	..
	2098436	Tilt Cylinder	1
1	2093071	Tube	1	1	1
2	2093070	Rod	1	1	..
2	2098437	Rod	1
3	2047064	Gland	1	1	1
4	2308174	Piston	1	1	1
5	2302899	Locknut	1	1	1
6	2106995	Spacer	1	..	1
7	1383061	Rod Wiper	1	1	1
8	1381094	Rod Seal	1	1	1
9	166659	Back-Up Ring	1	1	1
10	57664	O-Ring	1	1	1
11	2044379	Piston Seal	1	1	1
12	39374	O-Ring	1	1	1
	1494719	Kit-Seal	1	1	1

MAST/TILT CYLINDER INSTALLATION (FIGURE 6-25)



BP150262

MAST/TILT CYLINDER INSTALLATION

ITEM	PART NO.	DESCRIPTION	QTY
1	2093072	Tilt Cylinder (5 degrees Forward, 5 Degrees Backward) (☞ Figure 6-24).....	2
1	2093073	Tilt Cylinder (10 degrees Forward, 5 Degrees Backward) (☞ Figure 6-24).....	2
1	2098436	Tilt Cylinder (5 degrees Forward, 4 Degrees Backward) (☞ Figure 6-24).....	2
2	300982	Bushing	1
3	197069	Washer	6
4	1371526	Pin	2
5	16015	Grease Fitting	2
6	15236	Cotter Pin	2
7	1487058	Fitting	4
7	1527813	O-Ring	1
7	16481	O-Ring	1
8	1487094	Fitting	2
8	1527813	O-Ring	2
9	1363260	Rod End	2
10	1597381	Capscrew	2
11	1581852	Washer	2
12	1581848	Nut	2
13	1371287	Washer	2
14	296381	Washer	2
15	292514	Capscrew	2
16	1348187	Pin	2
17	16001	Grease Fitting	2
18	1523890 4006844	Bushing (Mast Mounting)	2
19	1523868	Shim	6
20	1657189	Hose Assy	1
21	2110503	Hose Assy	1
22	1657194	Hose Assy	1
23	1657190	Hose Assy	1
24	137852	Strap Clamp	4
25	320181	Washer	4

7

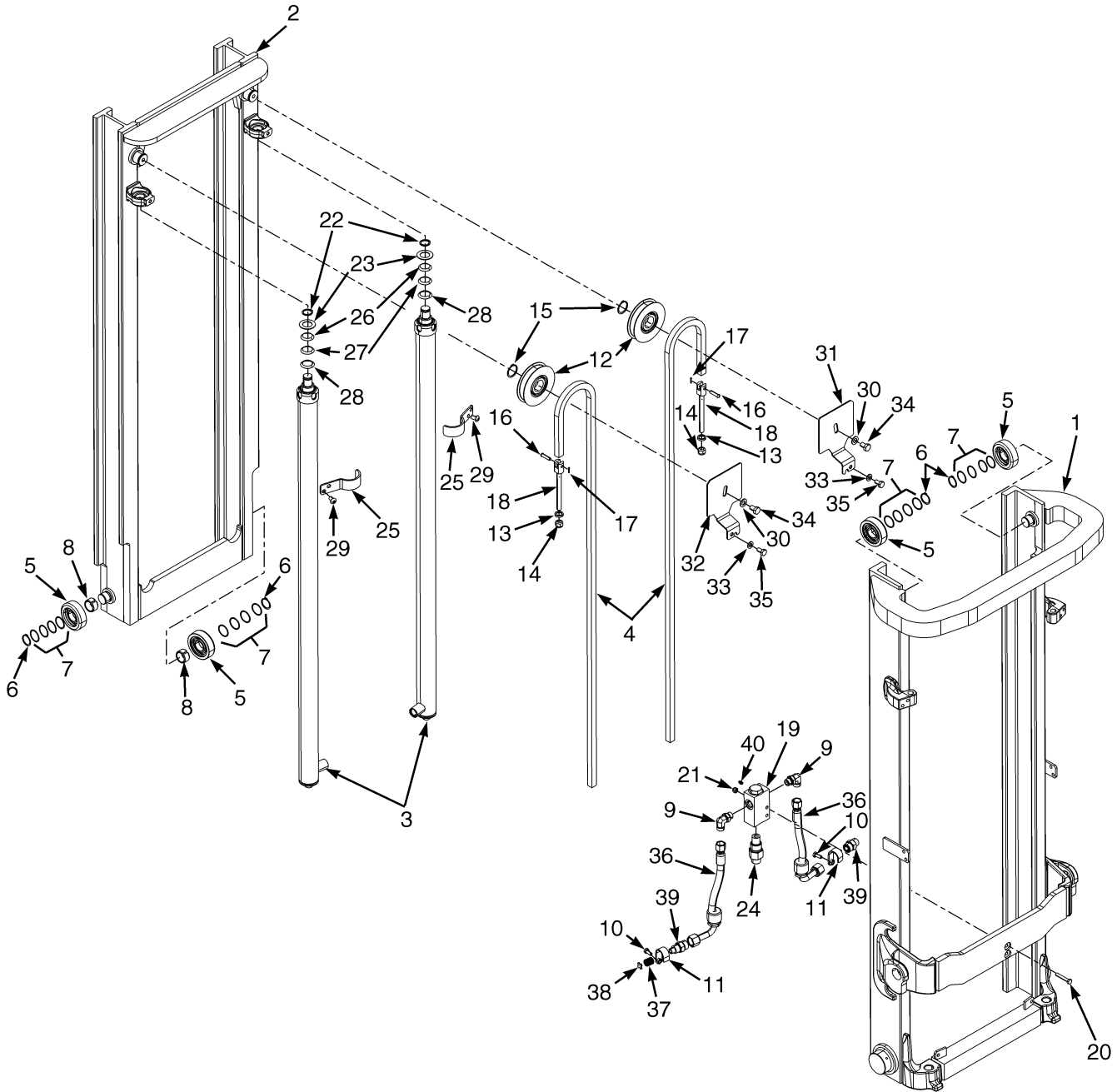
MAST-TWO STAGE LIMITED FREE-LIFT

SECTION 7

MAST-TWO STAGE LIMITED FREE-LIFT

DESCRIPTION	PAGE
CARRIAGE ASSEMBLY	
TWO STAGE LIMITED FREE LIFT - A270 - STANDARD	7-12
TWO STAGE LIMITED FREE LIFT - C661 - STANDARD	7-30
HEADER HOSE ASSEMBLY	
TWO STAGE LIMITED FREE LIFT - A270 (→ S/N A270B01595H)	7-14
TWO STAGE LIMITED FREE LIFT - A270 (S/N A270B01596H →)	7-16
TWO STAGE LIMITED FREE-LIFT - C661 (→ S/N C661B01676H)	7-32
TWO STAGE LIMITED FREE-LIFT - C661 (S/N C661B01677H →)	7-34
LIFT CYLINDER ASSEMBLY	
TWO STAGE LIMITED FREE LIFT - A270	7-10
TWO STAGE LIMITED FREE LIFT - C661	7-26
MAST ASSEMBLY	
TWO STAGE LIMITED FREE LIFT - A270 (→ S/N A270B01595H)	7-2
TWO STAGE LIMITED FREE LIFT - A270 (S/N A270B01596H →)	7-6
TWO STAGE LIMITED FREE LIFT - C661 (→ S/N C661B01676H)	7-18
TWO STAGE LIMITED FREE LIFT - C661 (S/N C661B01677H →)	7-22

MAST ASSEMBLY (FIGURE 7-1) TWO STAGE LIMITED FREE LIFT - A270 (→ S/N A270B01595H)



BP170355

MAST ASSEMBLY
TWO STAGE LIMITED FREE LIFT - A270 (→ S/N A270B01595H)

A270

ITEM	DESCRIPTION 1 2 3 4	LIFT HEIGHT TO BOTTOM OF FORKS			
		3320 mm (130.7 in.)	3820 mm (150.4 in.)	4320 mm (170.1 in.)	4820 mm (189.8 in.)
		Mast Group Number	A270 3320	A270 3820	A270 4320
	Mast Assy	2099908	2099914	2099919	2100287
1	Outer Mast	1631411	1631417	1631422	1631429
2	Inner Mast	1631511	1631517	1631522	1631529
4	Leaf Chain - Fixed Length	1631669	1631673	1631677	1631684

ITEM	PART NO.	DESCRIPTION	QTY
	b	Mast Assy	1
1	b	Outer Mast	1
2	b	Inner Mast	1
3	Cylinder (☞ Figure 7-3).....	1
4	b	Leaf Chain - Fixed Length	1
5	1604900	Load Roller	4
6	58908	Snap Ring	4
7	1631492	Shim	AR
8	1348185	Bushing	2
9	1473897	Fitting	2
10	1581580	Capscrew	2
11	1631160	Clamp	2
12	1604911	Chain Sheave	2
13	322899	Ring	2
14	322897	Nut	2
15	58901	Snap Ring	2
16	1631164	Pin	2
17	15211	Cotter Pin	2
18	1631237	Chain Anchor	2
19	1388019	Housing	1
20	1581836	Capscrew	2
21	1581566	Nut	2
22	131358	Snap Ring	2
23	1333382	Washer (1.500 mm)	2
24	1481348	Lowering Control Valve	1
25	1631152	Bracket	2
26	1354915	Washer (0.254 mm)	AR
27	1354916	Washer (0.762 mm)	AR
28	1354917	Washer (1.524 mm)	AR
29	1581585	Capscrew	4
30	1581557	Washer	2
31	1676811	Cover Plate	1
32	1676812	Cover Plate	1
33	1581559	Washer	2
34	1581589	Capscrew	2

MAST ASSEMBLY

TWO STAGE LIMITED FREE LIFT - A270 (→ S/N A270B01595H)

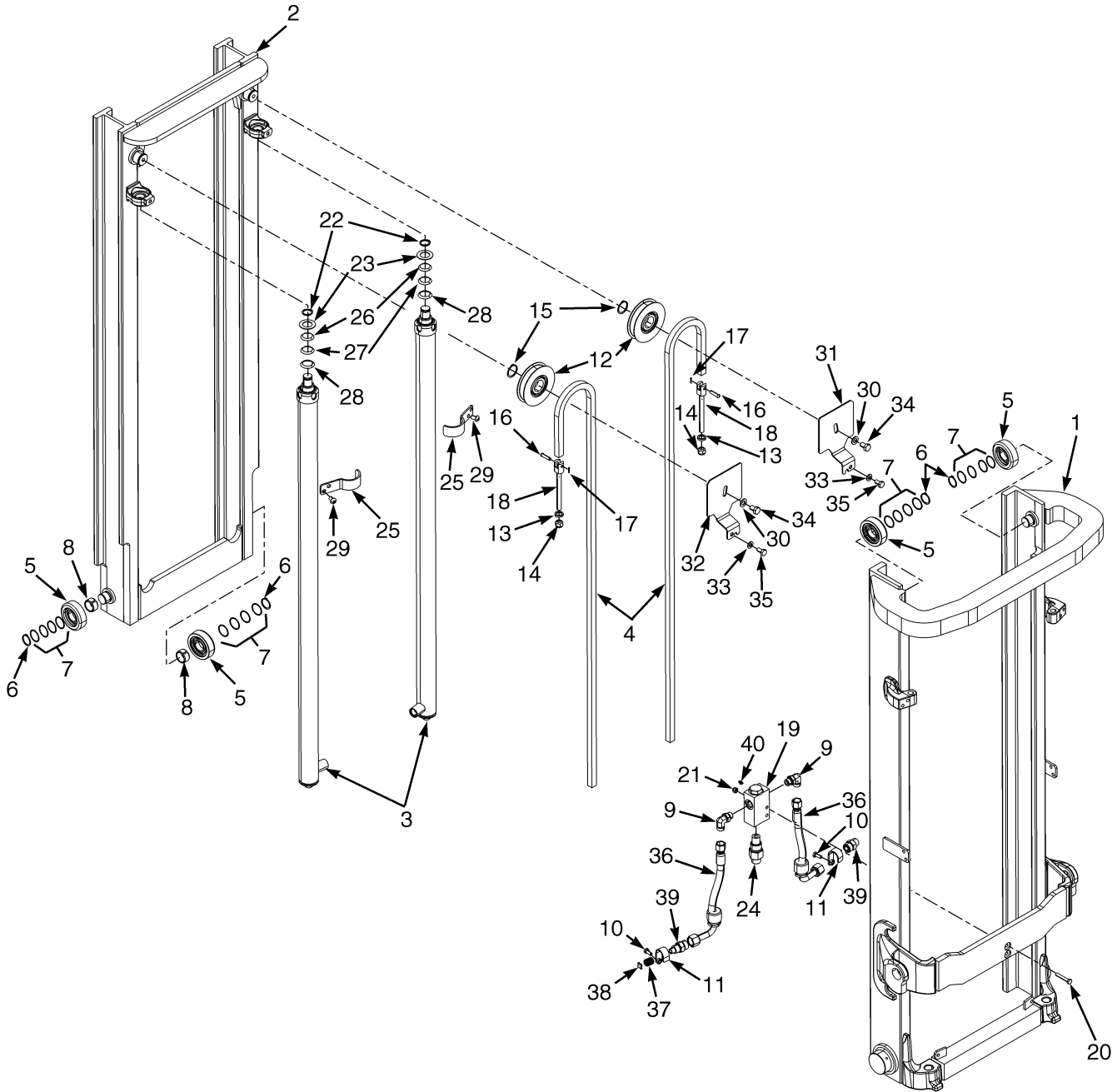
ITEM	PART NO.	DESCRIPTION	QTY
35	1581585	Capscrew	3
36	2100011	Hose Assy	2
37	120938	Spring	1
38	323160	Washer	1
39	1605087	Fitting	1
40	16045	Lube Ftg	2
	a 222444	Fitting	1
	a 4000081	Foam Tape	2

FOOTNOTES:

a Not Illustrated

b Refer to Table

MAST ASSEMBLY (FIGURE 7-2) TWO STAGE LIMITED FREE LIFT - A270 (S/N A270B01596H →)



BP170355

MAST ASSEMBLY
TWO STAGE LIMITED FREE LIFT - A270 (S/N A270B01596H →)

A270

ITEM	DESCRIPTION 1 2 3 4	LIFT HEIGHT TO BOTTOM OF FORKS			
		3320 mm (130.7 in.)	3820 mm (150.4 in.)	4320 mm (170.1 in.)	4820 mm (189.8 in.)
		Mast Group Number A270 3320	A270 3820	A270 4320	A270 4820
	Mast Assy	2099908	2099914	2099919	2100287
1	Outer Mast	1630411	1630417	1630422	1630429
2	Inner Mast	1631511	1631517	1631522	1631529
4	Leaf Chain - Fixed Length	1631668	1631672	1631676	1631683

ITEM	PART NO.	DESCRIPTION	QTY
	b	Mast Assy	1
1	b	Outer Mast	1
2	b	Inner Mast	1
3	Cylinder (☞ Figure 7-3).....	1
4	b	Leaf Chain - Fixed Length	1
5	1604900	Load Roller	4
6	58908	Snap Ring	4
7	1631492	Shim	AR
8	1348185	Bushing	2
9	1473897	Fitting	2
10	1581580	Capscrew	2
11	1631160	Clamp	2
12	1604911	Chain Sheave	2
13	322899	Ring	2
14	322897	Nut	2
15	58901	Snap Ring	2
16	1631164	Pin	2
17	15211	Cotter Pin	2
18	1631237	Chain Anchor	2
19	1388019	Housing	1
20	1581836	Capscrew	2
21	1581566	Nut	2
22	131358	Snap Ring	2
23	1333382	Washer (1.500 mm)	2
24	1481348	Lowering Control Valve	1
25	1631152	Bracket	2
26	1354915	Washer (0.254 mm)	AR
27	1354916	Washer (0.762 mm)	AR
28	1354917	Washer (1.524 mm)	AR
29	1581585	Capscrew	4
30	1581557	Washer	2
31	1676811	Cover Plate	1
32	1676812	Cover Plate	1
33	1581559	Washer	2
34	1581589	Capscrew	2

MAST ASSEMBLY

TWO STAGE LIMITED FREE LIFT - A270 (S/N A270B01596H →)

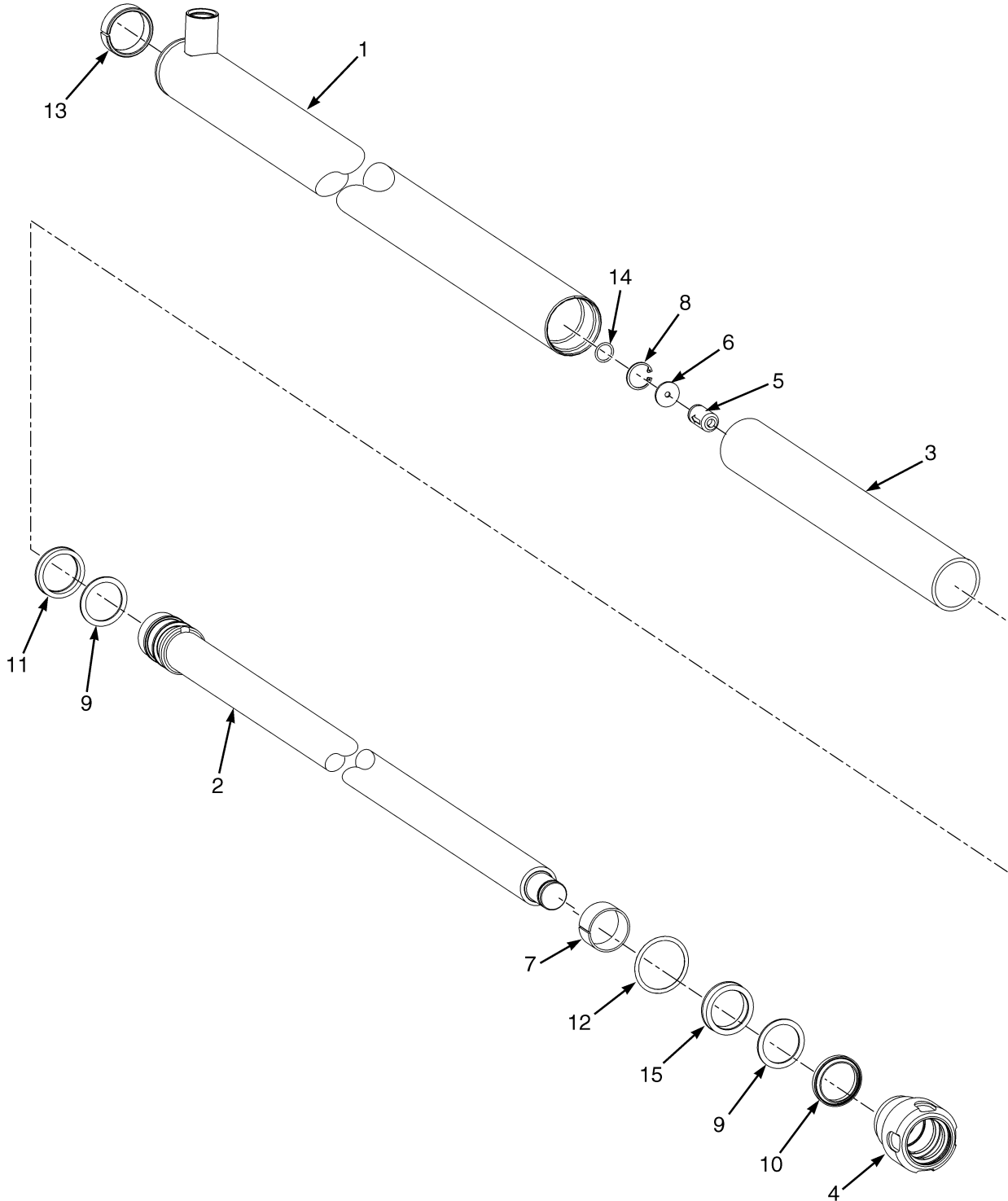
ITEM	PART NO.	DESCRIPTION	QTY
35	1581585	Capscrew	3
36	2100011	Hose Assy	2
37	120938	Spring	1
38	323160	Washer	1
39	1605087	Fitting	1
40	16045	Lube Ftg	2
	a 222444	Fitting	1
	a 4000081	Foam Tape	2

FOOTNOTES:

a Not Illustrated

b Refer to Table

LIFT CYLINDER ASSEMBLY (FIGURE 7-3) TWO STAGE LIMITED FREE LIFT - A270



BP170359

**LIFT CYLINDER ASSEMBLY
TWO STAGE LIMITED FREE LIFT - A270**

A270

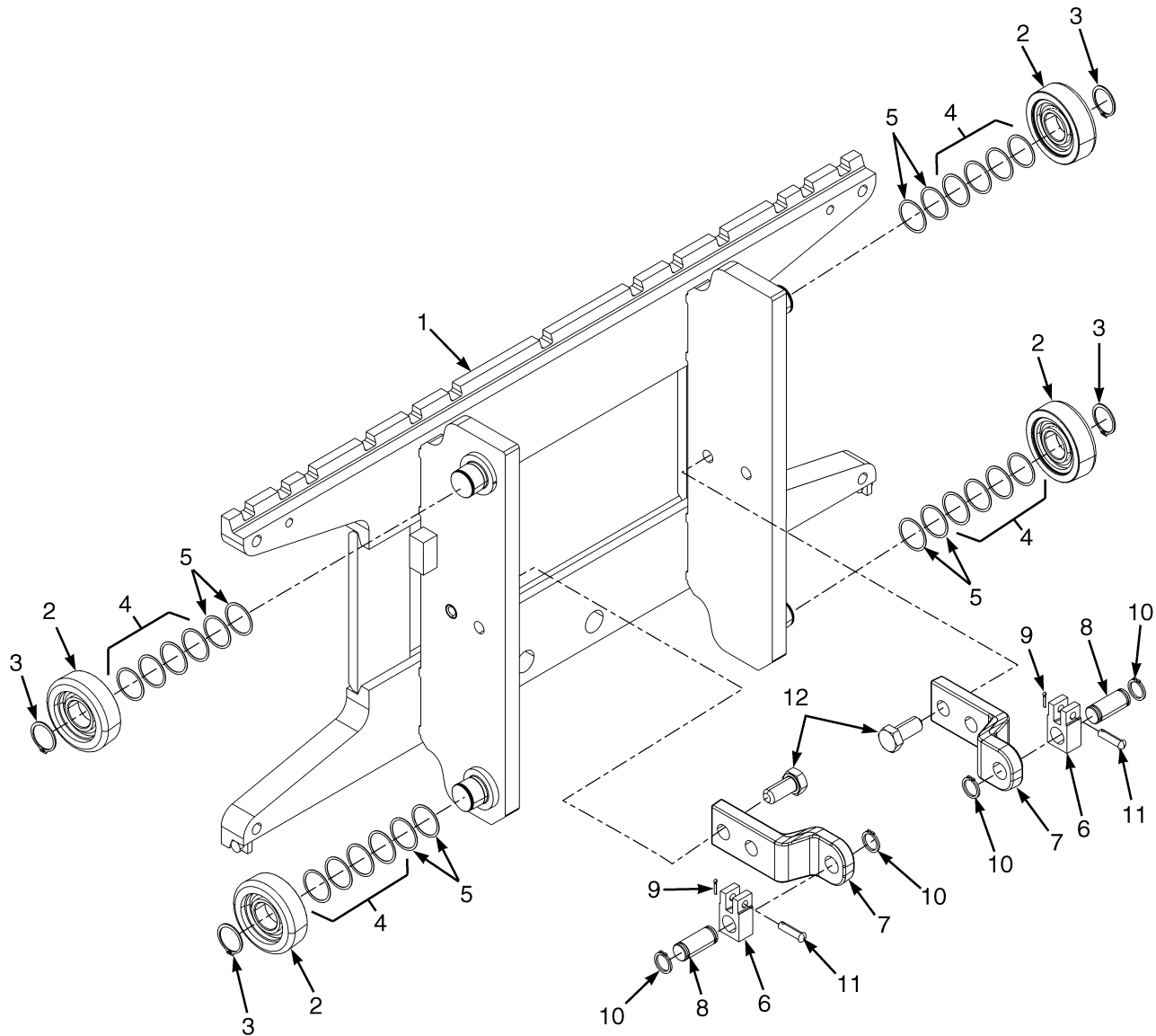
ITEM	DESCRIPTION 1 2 3 4	LIFT HEIGHT TO BOTTOM OF FORKS			
		3320 mm (130.7 in.)	3820 mm (150.4 in.)	4320 mm (170.1 in.)	4820 mm (189.8 in.)
		Mast Group Number	A270 3320	A270 3820	A270 4320
	Cylinder Group Number	8537811	8537817	8537822	8537829
	Cylinder Assy	2094963	2098569	2098574	2100753
1	Tube Assy	2094278	2098562	2098567	2103127
2	Rod Assy	2106273	2098529	2098534	2103112
3	Spacer	----	1355189	1355189	1356037

ITEM	PART NO.	DESCRIPTION	QTY
	a	Cylinder Assy	1
1	a	Tube Assy	1
2	a	Rod Assy	1
3	a	Spacer	1
4	1642156	Gland	1
5	257913	Check Valve	1
6	297531	Washer	1
7	322902	Wear Ring	1
8	187388	Snap Ring	1
9	322824	Back-Up Ring	2
10	1383063	Rod Wiper	1
11	330692	Rod Seal	1
12	55407	O-Ring	1
13	1362871	Wear Ring	1
14	190580	O-Ring	1
15	1356749	Rod Seal	1
	1642160	Kit-Seal	1

FOOTNOTES:

a Refer to Table

CARRIAGE ASSEMBLY (FIGURE 7-4) TWO STAGE LIMITED FREE LIFT - A270 — STANDARD

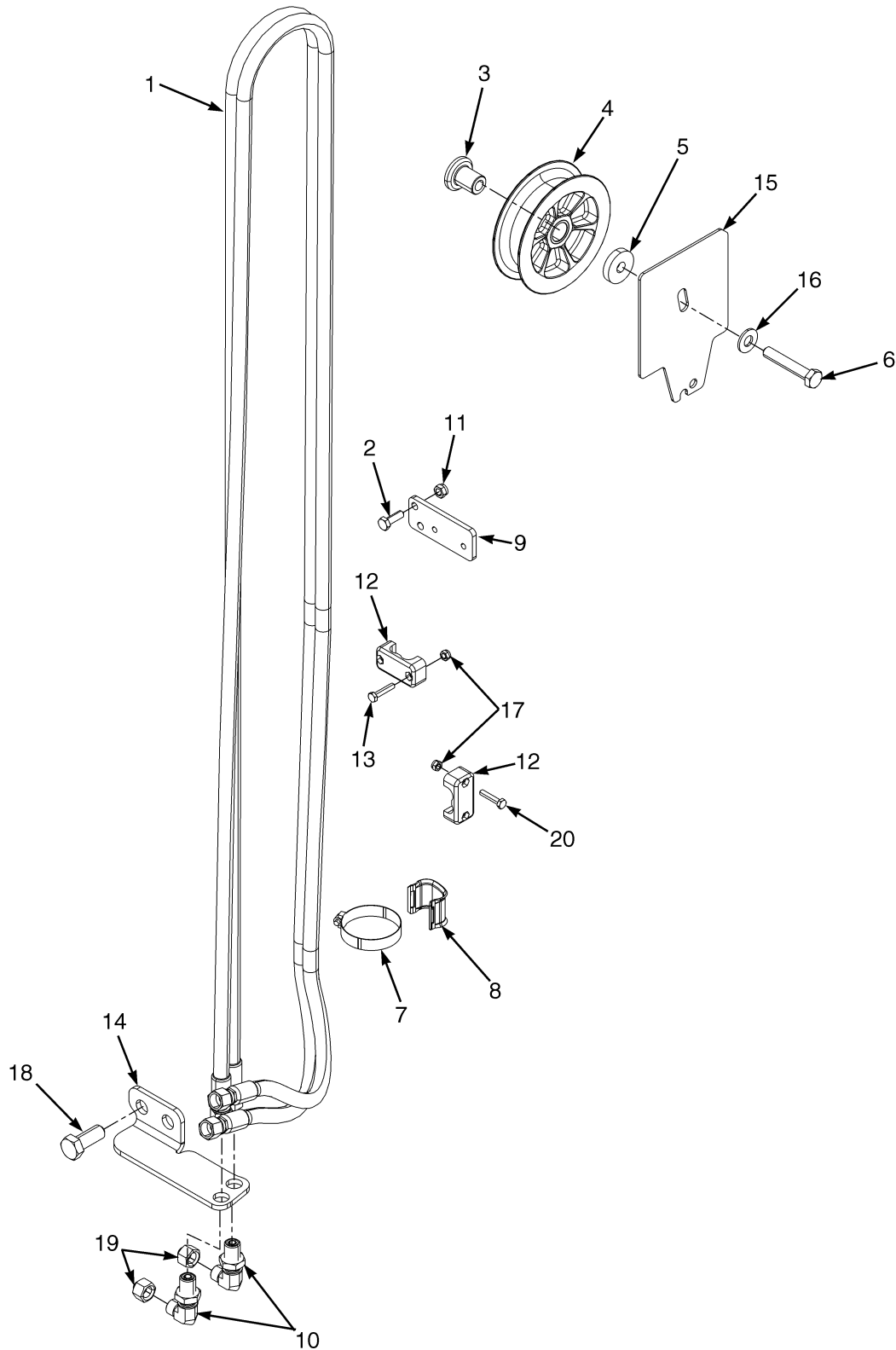


BP170374

CARRIAGE ASSEMBLY
TWO STAGE LIMITED FREE LIFT - A270 – STANDARD

ITEM	PART NO.	DESCRIPTION	QTY
	2098670	Carriage Assembly	1
1	1600858	Carriage	1
2	1604900	Load Roller	4
3	58908	Snap Ring	4
4	1631492	Shim	20
5	215240	Shim (0,762 mm)	16
6	1631162	Chain Anchor	2
7	1631161	Chain Anchor	2
8	1631164	Pin	2
9	15211	Cotter Pin	2
10	131357	Snap Ring	4
11	1631163	Pin	2
12	1581833	Capscrew	4

HEADER HOSE ASSEMBLY (FIGURE 7-5) TWO STAGE LIMITED FREE LIFT - A270 (→ S/N A270B01595H)



BP170357

HEADER HOSE ASSEMBLY
TWO STAGE LIMITED FREE LIFT - A270 (→ S/N A270B01595H)

A270

ITEM	DESCRIPTION 1 2 3 4	LIFT HEIGHT TO BOTTOM OF FORKS			
		3320 mm (130.7 in.)	3820 mm (150.4 in.)	4320 mm (170.1 in.)	4820 mm (189.8 in.)
		Mast Group Number	A270 3320	A270 3820	A270 4320
1	Hose Assy	2100463	2100468	2100473	2100478

KEY:

A: 3 Function

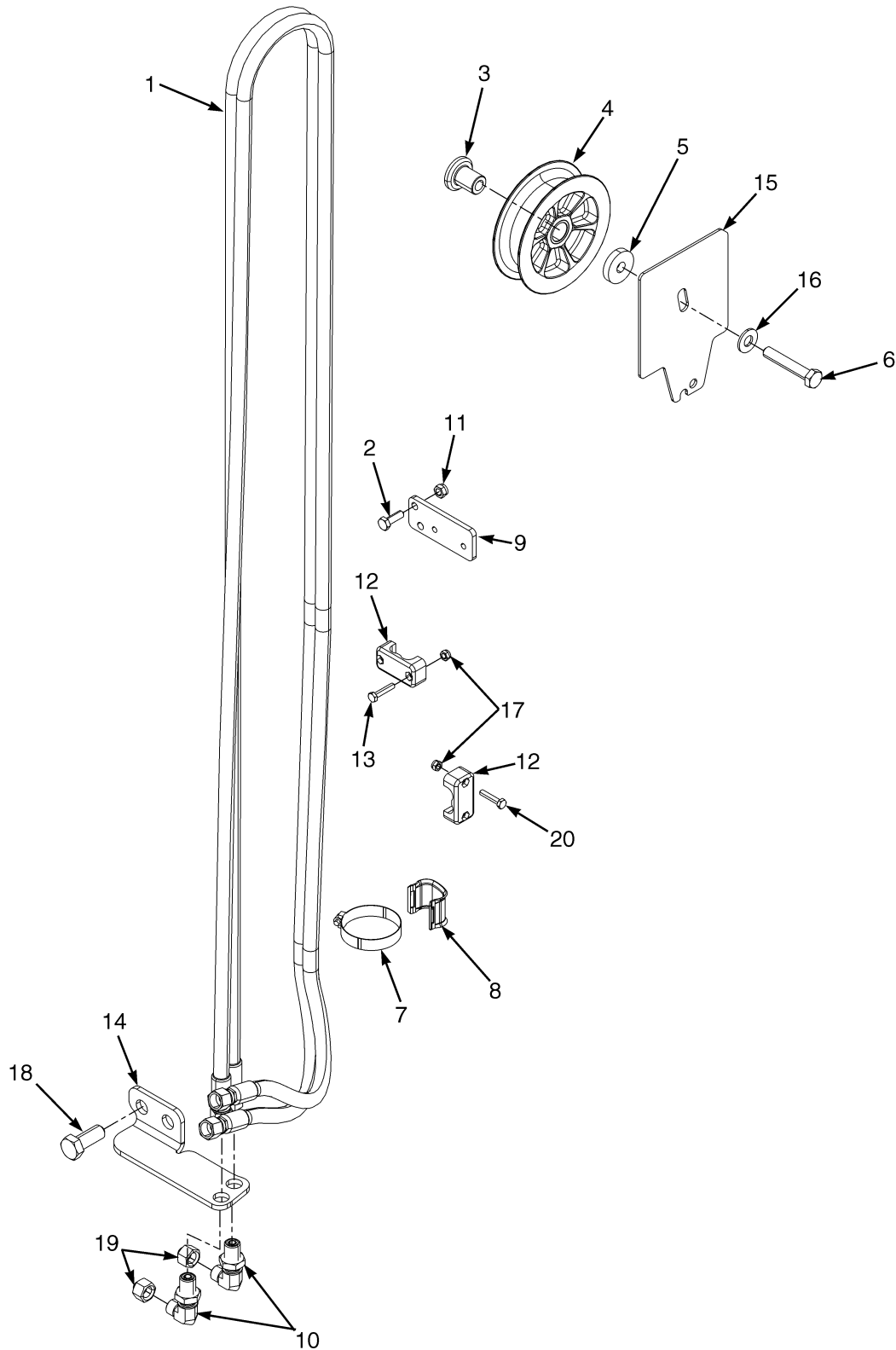
B: 4 Function

ITEM	PART NO.	DESCRIPTION	QTY	
			A	B
1	a	Hose Assy	1	2
2	1581581	Capscrew	2	4
3	1631381	Stubshaft	1	2
4	1631185	Hose Sheave	1	2
5	1676880	Washer	1	2
6	1581830	Capscrew	1	2
7	1481229	Clamp	1	2
8	1477996	Hose Clamp	1	2
9	1631484	Plate	1	2
10	1528579	Fitting	2	4
11	1581566	Nut	2	4
12	1360386	Clamp (Double Hose)	2	4
13	1581834	Capscrew	2	4
14	1631191	Bracket	1	1
14	1631192	Bracket	1
15	1676810	Cover Plate	1	2
16	1581852	Washer	1	2
17	1581565	Nut	2	4
18	1670540	Capscrew	2	4
19	1529015	Cap	2	4
20	1581741	Capscrew	2	4

FOOTNOTES:

a Refer to Table

HEADER HOSE ASSEMBLY (FIGURE 7-6) TWO STAGE LIMITED FREE LIFT - A270 (S/N A270B01596H →)



BP170357

HEADER HOSE ASSEMBLY
TWO STAGE LIMITED FREE LIFT - A270 (S/N A270B01596H →)

A270

ITEM	DESCRIPTION 1 2 3 4	LIFT HEIGHT TO BOTTOM OF FORKS			
		3320 mm (130.7 in.)	3820 mm (150.4 in.)	4320 mm (170.1 in.)	4820 mm (189.8 in.)
		Mast Group Number	A270 3320	A270 3820	A270 4320
1	Hose Assy	2100460	2100467	2100470	2100477

KEY:

A: 3 Function

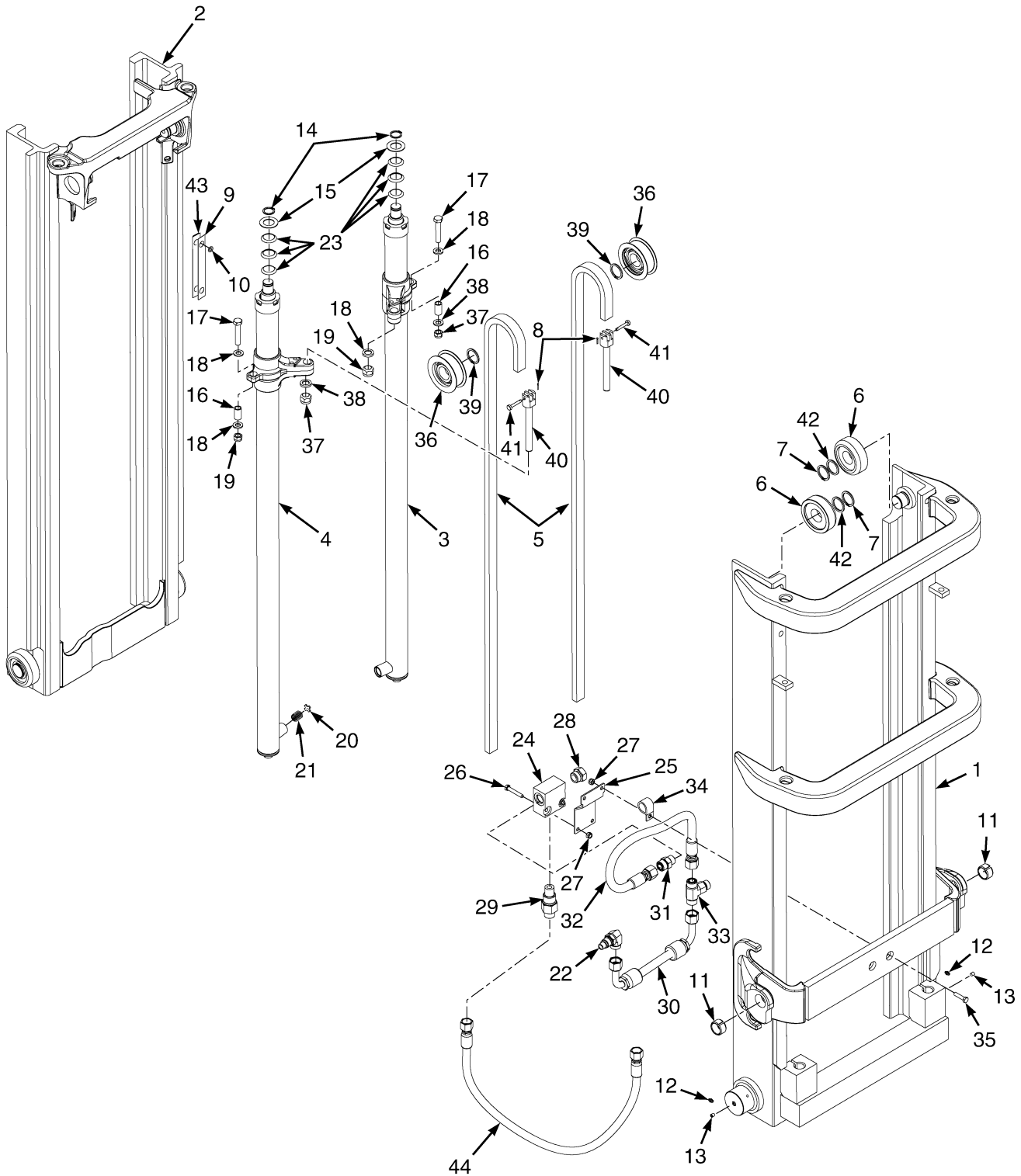
B: 4 Function

ITEM	PART NO.	DESCRIPTION	QTY	
			A	B
1	a	Hose Assy	2	4
2	1581581	Capscrew	2	4
3	1631381	Stubshaft	1	2
4	1631185	Hose Sheave	1	2
5	1676880	Washer	1	2
6	1581830	Capscrew	1	2
7	1481229	Clamp	1	2
8	1477996	Hose Clamp	1	2
9	1631484	Plate	1	2
10	1528579	Fitting	2	4
11	1581566	Nut	2	4
12	1360386	Clamp (Double Hose)	2	4
13	1581834	Capscrew	2	4
14	1631191	Bracket	1	1
14	1631192	Bracket	1
15	1676810	Cover Plate	1	2
16	1581852	Washer	1	2
17	1581565	Nut	2	4
18	1670540	Capscrew	2	4
19	1529015	Cap	2	4
20	1581741	Capscrew	2	4

FOOTNOTES:

a Refer to Table

MAST ASSEMBLY (FIGURE 7-7) TWO STAGE LIMITED FREE LIFT - C661 (→ S/N C661B01676H)



BP170356

MAST ASSEMBLY
TWO STAGE LIMITED FREE LIFT - C661 (→ S/N C661B01676H)

C661

ITEM	DESCRIPTION 1 2 3 4	LIFT HEIGHT TO BOTTOM OF FORKS			
		3392 mm (133.5 in.)	3892 mm (153.2 in.)	4392 mm (172.9 in.)	4892 mm (192.6 in.)
		C661 3392	C661 3892	C661 4392	C661 4892
	Mast Assy	2091710	2091715	2091720	2091725
1	Outer Mast	1621411	1621416	1621421	1621426
2	Inner Mast	1348460	1348465	1348470	1348475
5	Chain	223389	240201	246994	289245

ITEM	PART NO.	DESCRIPTION	QTY
	a	Mast Assy	1
1	a	Outer Mast	1
2	a	Inner Mast	1
3	Cylinder Assembly RH (☞Figure 7-9).....	1
4	Cylinder Assembly LH (☞Figure 7-9).....	1
5	a	Chain	2
6	1333399	Load Roller ("B") (92.18 mm/91.92 mm)	4
7	1374797	Snap Ring	4
8	15211	Cotter Pin	2
9	215212	Wear Strip	2
10	104506	O-Ring	4
11	1348185	Bushing	2
12	16041	Grease Fitting	2
13	15961	Fitting	2
14	131358	Snap Ring	2
15	1333382	Washer (1.500 mm)	2
16	323090	Spacer	2
17	1581829	Capscrew	2
18	1581852	Washer	4
19	1581849	Nut	2
20	323160	Washer	1
21	120938	Spring	1
22	1481344	Fitting	1
23	1354915	Washer (0.254 mm)	AR
23	1354916	Washer (0.762 mm)	AR
23	1354917	Washer (1.524 mm)	AR
24	1621042	Housing	1
25	1621044	Bracket	1
26	1581583	Capscrew	2
27	1581566	Nut	4
28	14603	Plug	1
29	1481348	Lowering Control Valve	1
29	252729	O-Ring	1
29	16982	O-Ring	1
30	2101417	Hose Assy	1
31	1486749	Fitting	1

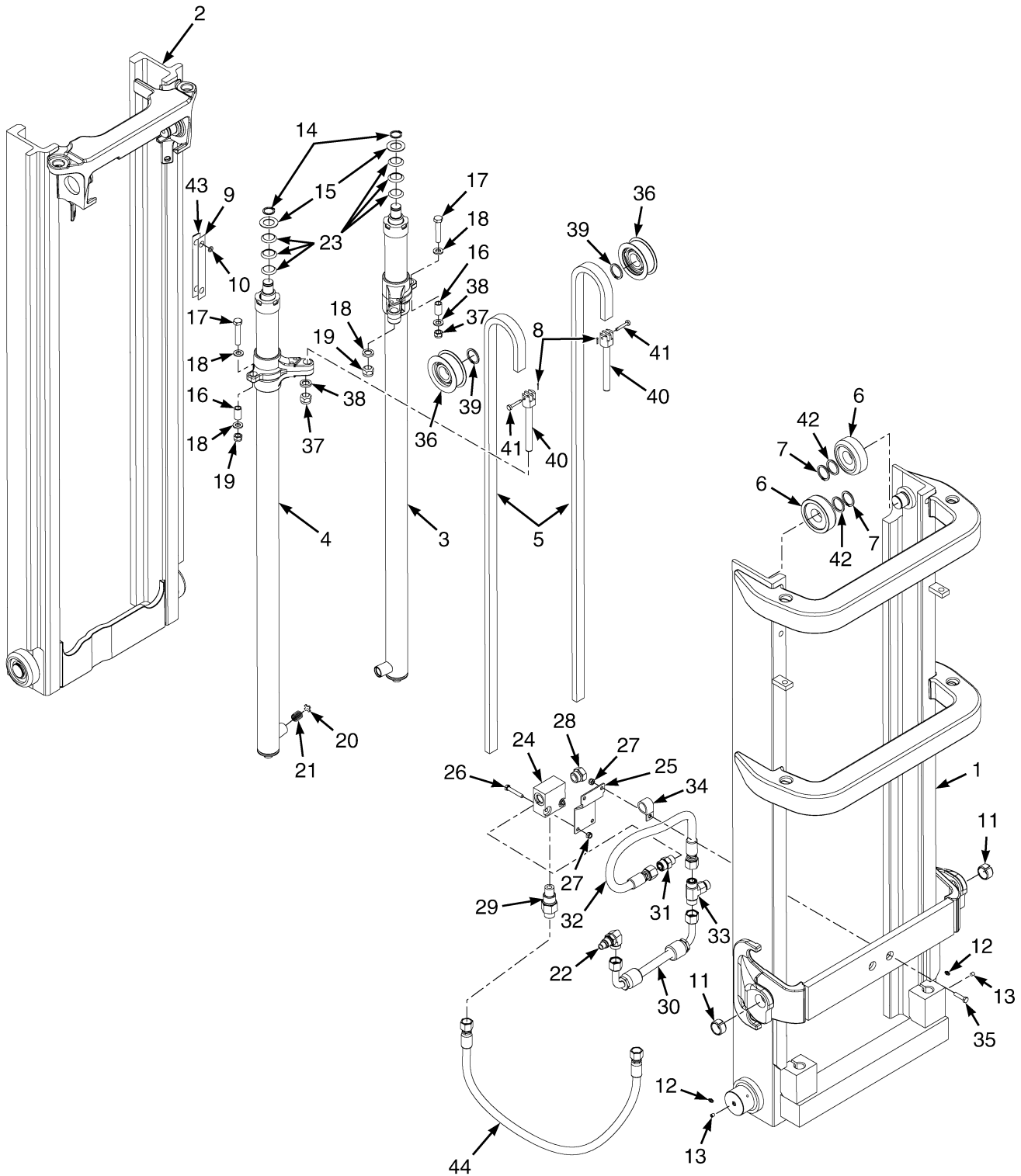
MAST ASSEMBLY
TWO STAGE LIMITED FREE LIFT - C661 (→ S/N C661B01676H)

ITEM	PART NO.	DESCRIPTION	QTY
31	252729	O-Ring	1
31	16485	O-Ring	1
32	2102881	Hose Assy	1
33	1532650	Fitting	1
33	252729	O-Ring	1
33	16485	O-Ring	1
34	153069	Clamp	1
35	1596420	Capscrew	2
36	1379685	Chain Sheave	2
37	161003	Nut	2
38	297649	Ring	2
39	304526	Snap Ring	2
40	1369357	Chain Anchor	2
41	1514866	Pin	2
42	129387	Shim (0.508 mm)	AR
43	131716	Shim (0.508 mm)	AR
44	4601312	Hose Assy	1

FOOTNOTES:

- a Refer to Table

MAST ASSEMBLY (FIGURE 7-8) TWO STAGE LIMITED FREE LIFT - C661 (S/N C661B01677H →)



BP170356

MAST ASSEMBLY
TWO STAGE LIMITED FREE LIFT - C661 (S/N C661B01677H →)

C661

ITEM	DESCRIPTION 1 2 3 4	LIFT HEIGHT TO BOTTOM OF FORKS			
		3392 mm (133.5 in.)	3892 mm (153.2 in.)	4392 mm (172.9 in.)	4892 mm (192.6 in.)
		C661 3392	C661 3892	C661 4392	C661 4892
	Mast Assy	2091710	2091715	2091720	2091725
1	Outer Mast	1620411	1620417	1620422	1620429
2	Inner Mast	1348460	1348465	1348470	1348475
5	Chain	223389	240201	246994	289245

ITEM	PART NO.	DESCRIPTION	QTY
	a	Mast Assy	1
1	a	Outer Mast	1
2	a	Inner Mast	1
3	Cylinder Assembly RH (☞Figure 7-9).....	1
4	Cylinder Assembly LH (☞Figure 7-9).....	1
5	a	Chain	1
6	1333399	Load Roller ("B") (92.18 mm/91.92 mm)	4
7	1374797	Snap Ring	4
8	15211	Cotter Pin	2
9	215212	Wear Strip	2
10	104506	O-Ring	4
11	1348185	Bushing	2
12	16041	Grease Fitting	2
13	15961	Fitting	2
14	131358	Snap Ring	2
15	1333382	Washer (1.500 mm)	2
16	323090	Spacer	2
17	1581829	Capscrew	2
18	1581852	Washer	4
19	1581849	Nut	2
20	323160	Washer	1
21	120938	Spring	1
22	1481344	Fitting	1
23	1354915	Washer (0.254 mm)	AR
23	1354916	Washer (0.762 mm)	AR
23	1354917	Washer (1.524 mm)	AR
24	1621042	Housing	1
25	1621044	Bracket	1
26	1581583	Capscrew	2
27	1581566	Nut	4
28	14603	Plug	1
29	1481348	Lowering Control Valve	1
29	252729	O-Ring	1
29	16982	O-Ring	1
30	2101417	Hose Assy	1
31	1486749	Fitting	1

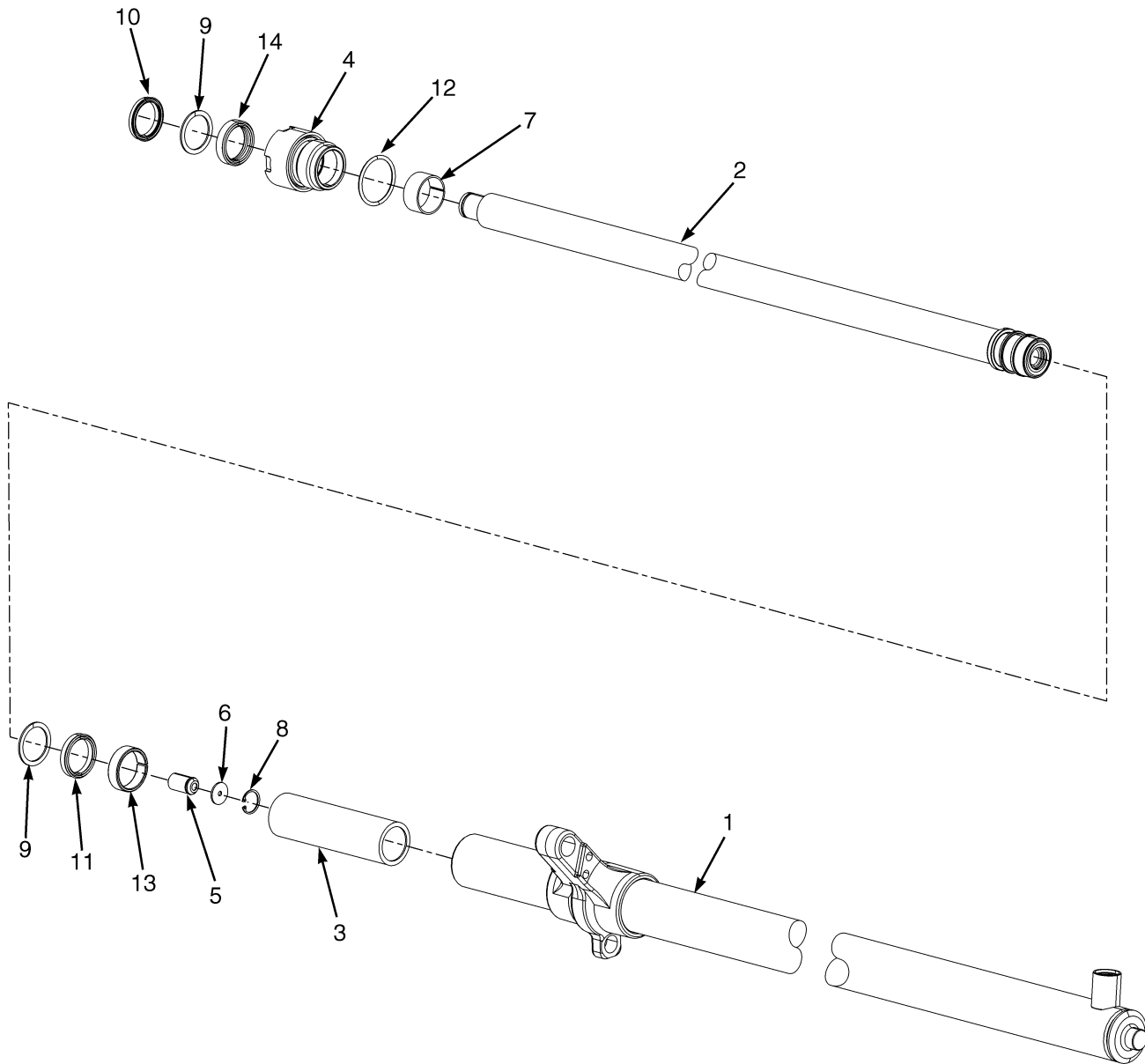
MAST ASSEMBLY
TWO STAGE LIMITED FREE LIFT - C661 (S/N C661B01677H →)

ITEM	PART NO.	DESCRIPTION	QTY
31	252729	O-Ring	1
31	16485	O-Ring	1
32	2102881	Hose Assy	1
33	1532650	Fitting	1
33	252729	O-Ring	1
33	16485	O-Ring	1
34	153069	Clamp	1
35	1596420	Capscrew	2
36	1379685	Chain Sheave	2
37	161003	Nut	2
38	297649	Ring	2
39	304526	Snap Ring	2
40	1369357	Chain Anchor	2
41	1514866	Pin	2
42	129387	Shim (0.508 mm)	AR
43	131716	Shim (0.508 mm)	AR
44	4601312	Hose Assy	1

FOOTNOTES:

- a Refer to Table

LIFT CYLINDER ASSEMBLY (FIGURE 7-9) TWO STAGE LIMITED FREE LIFT - C661



BP170360

**LIFT CYLINDER ASSEMBLY
TWO STAGE LIMITED FREE LIFT - C661**

LEFT HAND

ITEM	DESCRIPTION 1 2 3 4	LIFT HEIGHT TO BOTTOM OF FORKS			
		3392 mm (133.5 in.)	3892 mm (153.2 in.)	4392 mm (172.9 in.)	4892 mm (192.6 in.)
		Mast Group Number	C661 3392	C661 3892	C661 4392
	Cylinder Group Number	8601610	8601615	8601620	8601625
	Cylinder Assy	1361378	1362533	1362563	1362593
1	Tube Wldmt- Cylinder	1361379	1362534	1362564	1362594
2	Cylinder Rod	1361380	1362535	1362565	1362595
3	Spacer	----	1355189	1355189	1356037

RIGHT HAND

ITEM	DESCRIPTION 1 2 3 4	LIFT HEIGHT TO BOTTOM OF FORKS			
		3392 mm (133.5 in.)	3892 mm (153.2 in.)	4392 mm (172.9 in.)	4892 mm (192.6 in.)
		Mast Group Number	C661 3392	C661 3892	C661 4392
	Cylinder Group Number	8601660	8601665	8601670	8601675
	Cylinder Assy	1361382	1362537	1362567	1362597
1	Tube Wldmt- Cylinder	1361383	1362538	1362568	1362598
2	Cylinder Rod	1361380	1362535	1362565	1362595
3	Spacer	----	1355189	1355189	1356037

ITEM	PART NO.	DESCRIPTION	QTY
	b	Cylinder Assy	1
1	b	Tube Wldmt-Cylinder	1
2	b	Cylinder Rod	1
3	b	Spacer	1
4	1371653	Gland	1
5	257913	Check Valve	1
6	297531	Washer	1
7	322902	Wear Ring	1
8	187388	Snap Ring	1
9	322824	Back-Up Ring	2
10	1319668	Rod Wiper	1
11	330692	Rod Seal	1
12	55407	O-Ring	1
13	1362871	Wear Ring	1
14	1381095	Rod Seal	1

LIFT CYLINDER ASSEMBLY
TWO STAGE LIMITED FREE LIFT - C661

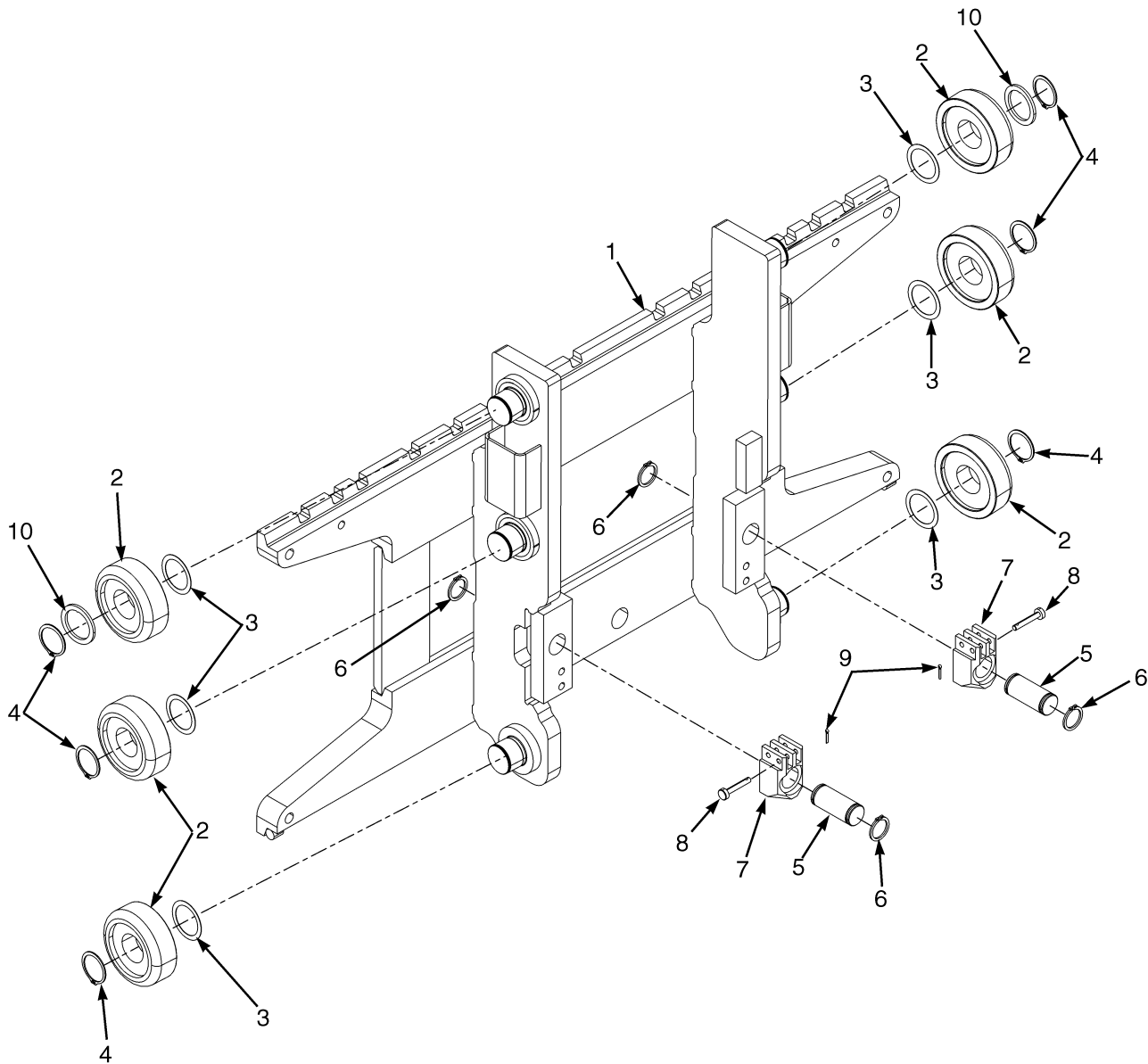
ITEM	PART NO.	DESCRIPTION	QTY
	a 39348	O-Ring	1
	1360140	Kit-Seal	1

FOOTNOTES:

a Not Illustrated

b Refer to Table

CARRIAGE ASSEMBLY (FIGURE 7-10) TWO STAGE LIMITED FREE LIFT - C661 — STANDARD



BP170386

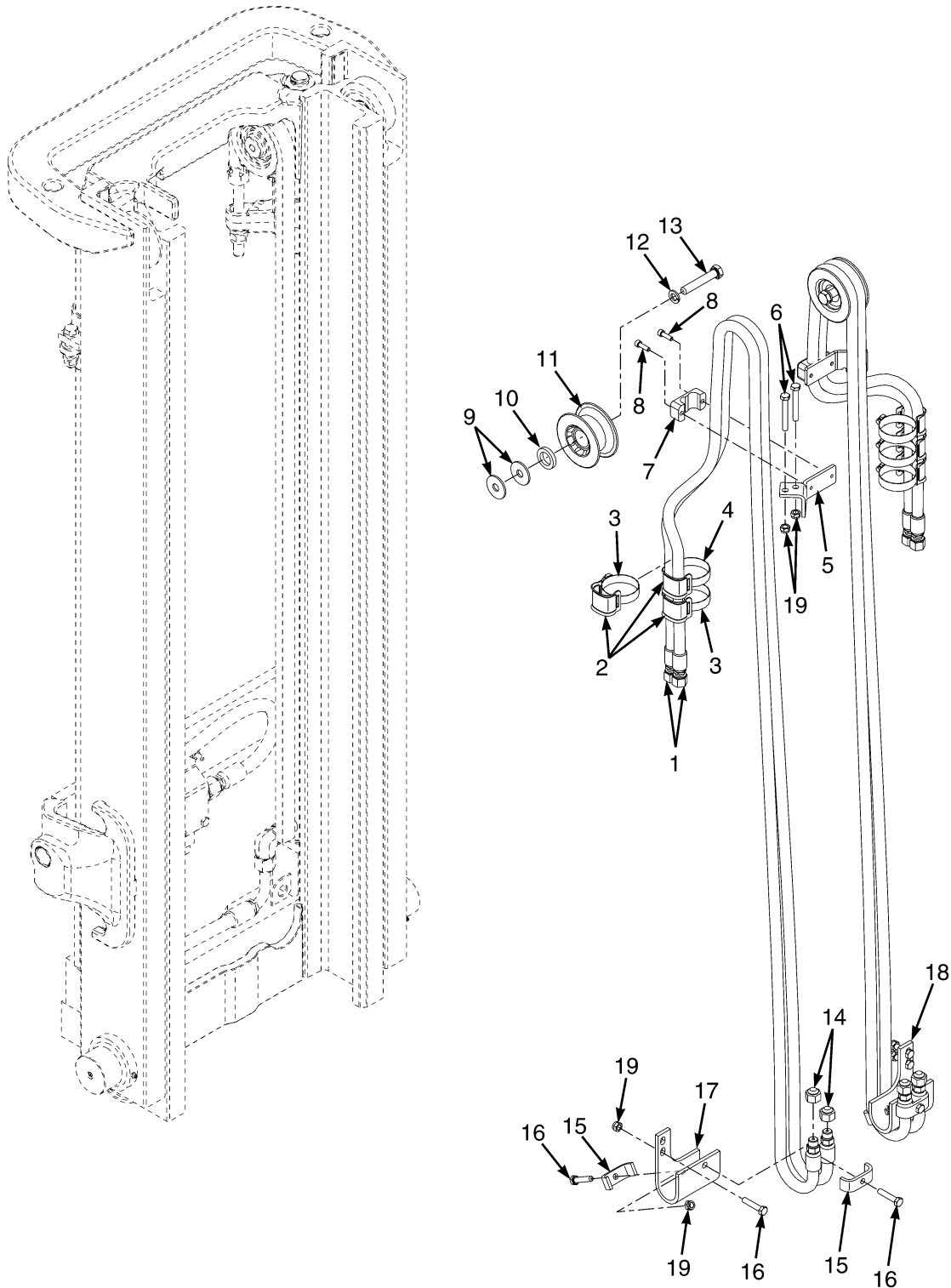
CARRIAGE ASSEMBLY
TWO STAGE LIMITED FREE LIFT - C661 – STANDARD

ITEM	PART NO.	DESCRIPTION	QTY
	2055495	Carriage Assembly	1
1	1526274	Carriage Wldmt (Frame)	1
2	1333399	Load Roller ("B") (92.18 mm/91.92 mm)	6
2	a 1395169	Load Roller ("A") (91.80 mm/91.54 mm)	6
3	129387	Shim (0.508 mm)	AR
4	58901	Snap Ring	6
4	a 1374797	Snap Ring	6
5	1353408	Pin	2
6	131358	Snap Ring	4
7	1369345	Chain Anchor (Dual Hole)	2
7	a 1504010	Chain Anchor (Single Hole)	2
8	1514866	Pin	2
9	15211	Cotter Pin	2
10	366115	Spacer	2

FOOTNOTES:

a Options

HEADER HOSE ASSEMBLY (FIGURE 7-11) TWO STAGE LIMITED FREE-LIFT — C661 (→ S/N C661B01676H)



BP170440

HEADER HOSE ASSEMBLY
TWO STAGE LIMITED FREE-LIFT – C661 (→ S/N C661B01676H)

C661

ITEM	DESCRIPTION 1 2 3 4	LIFT HEIGHT TO BOTTOM OF FORKS			
		3392 mm (133.5 in.)	3892 mm (153.2 in.)	4392 mm (172.9 in.)	4892 mm (192.6 in.)
		Mast Group Number	C661 3392	C661 3892	C661 4392
1	Hose Assy	2097423	2097428	2097433	2097449

KEY:

A: 3 Function

B: 4 Function

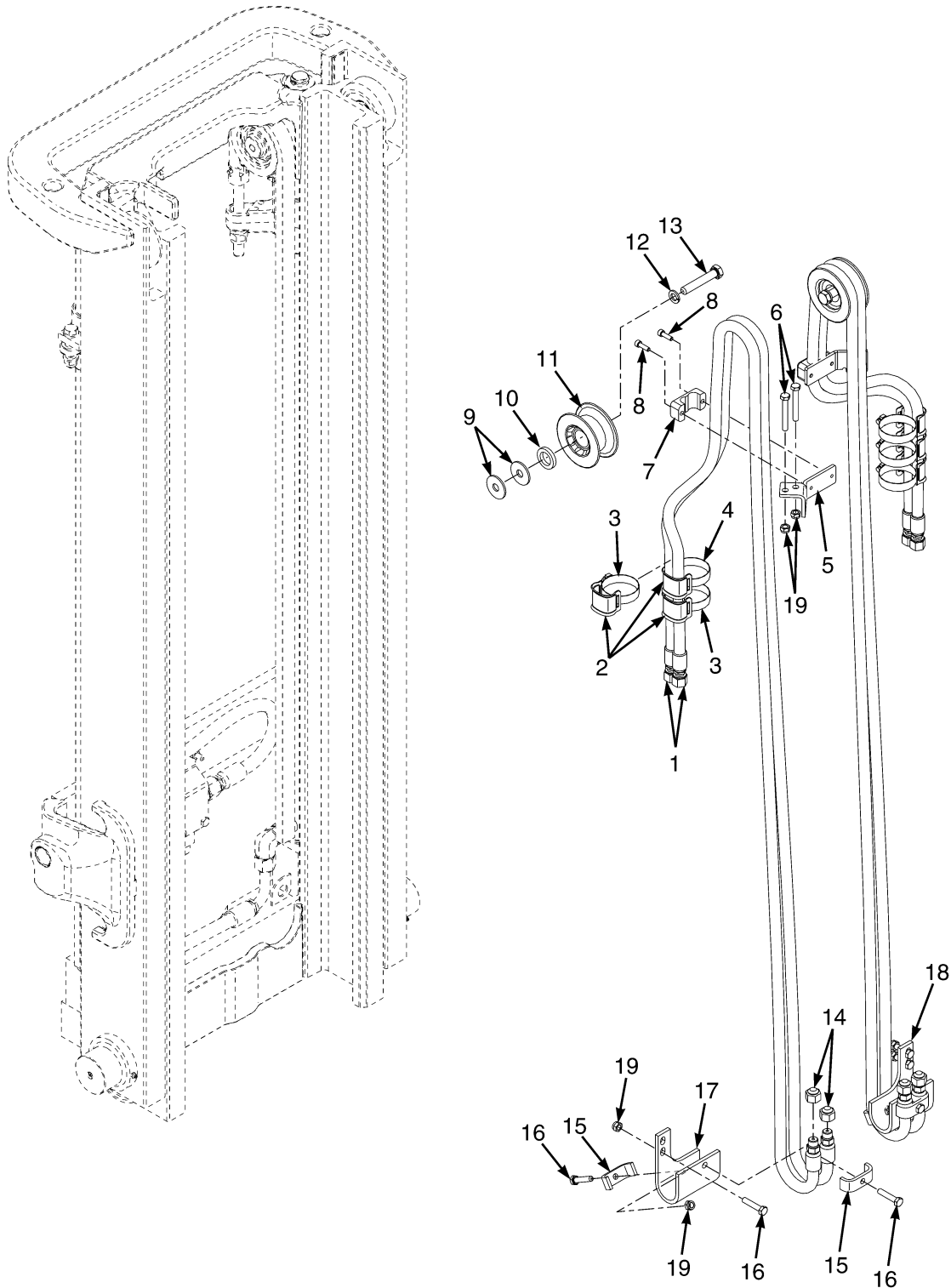
ITEM	PART NO.	DESCRIPTION	QTY	
			A	B
1	b	Hose Assy	2	4
2	1477996	Hose Clamp (2992 mm)	2	4
2	1477996	Hose Clamp (3192 mm)	3	6
3	1481229	Clamp	2	4
4	1617657	Clamp (3192 mm)	1	2
5	1610939	Bracket	1	2
5	4022869	Bracket (Alternate Part)	1	1
6	1581836	Capscrew	2	4
7	1360386	Clamp (Double Hose)	1	2
8	1581842	Capscrew	2	4
9	1345190	Washer	2	4
10	1360549	Spacer	1	2
11	1494017	Hose Sheave	1	2
12	1581564	Lockwasher	1	2
13	1581830	Capscrew	1	2
14	1529015	Cap	2	4
15	1345348	Clamp	2	4
16	1581582	Capscrew	4	8
17	1345412	Bracket	1	..
18	1345413	Bracket	1
19	1581566	Nut	6	12
	a 1360548	Stubshaft	1	2

FOOTNOTES:

a Not Illustrated

b Refer to Table

HEADER HOSE ASSEMBLY (FIGURE 7-12) TWO STAGE LIMITED FREE-LIFT — C661 (S/N C661B01677H →)



BP170440

HEADER HOSE ASSEMBLY
TWO STAGE LIMITED FREE-LIFT – C661 (S/N C661B01677H →)

C661

ITEM	DESCRIPTION 1 2 3 4	LIFT HEIGHT TO BOTTOM OF FORKS			
		3392 mm (133.5 in.)	3892 mm (153.2 in.)	4392 mm (172.9 in.)	4892 mm (192.6 in.)
		Mast Group Number	C661 3392	C661 3892	C661 4392
1	Hose Assy	2097420	2097427	2097430	2097448

KEY:

A: 3 Function

B: 4 Function

ITEM	PART NO.	DESCRIPTION	QTY	
			A	B
1	b	Hose Assy	2	4
2	1477996	Hose Clamp (2992 mm)	2	4
2	1477996	Hose Clamp (3192 mm)	3	6
3	1481229	Clamp	2	4
4	1617657	Clamp (3192 mm)	1	2
5	1610939	Bracket	1	2
5	4022869	Bracket (Alternate Part)	1	1
6	1581836	Capscrew	2	4
7	1360386	Clamp (Double Hose)	1	2
8	1581842	Capscrew	2	4
9	1345190	Washer	2	4
10	1360549	Spacer	1	2
11	1494017	Hose Sheave	1	2
12	1581564	Lockwasher	1	2
13	1581830	Capscrew	1	2
14	1529015	Cap	2	4
15	1345348	Clamp	2	4
16	1581582	Capscrew	4	8
17	1345412	Bracket	1	..
18	1345413	Bracket	1
19	1581566	Nut	6	12
	a 1360548	Stubshaft	1	2

FOOTNOTES:

a Not Illustrated

b Refer to Table

8

MAST-THREE STAGE FULL FREE-LIFT

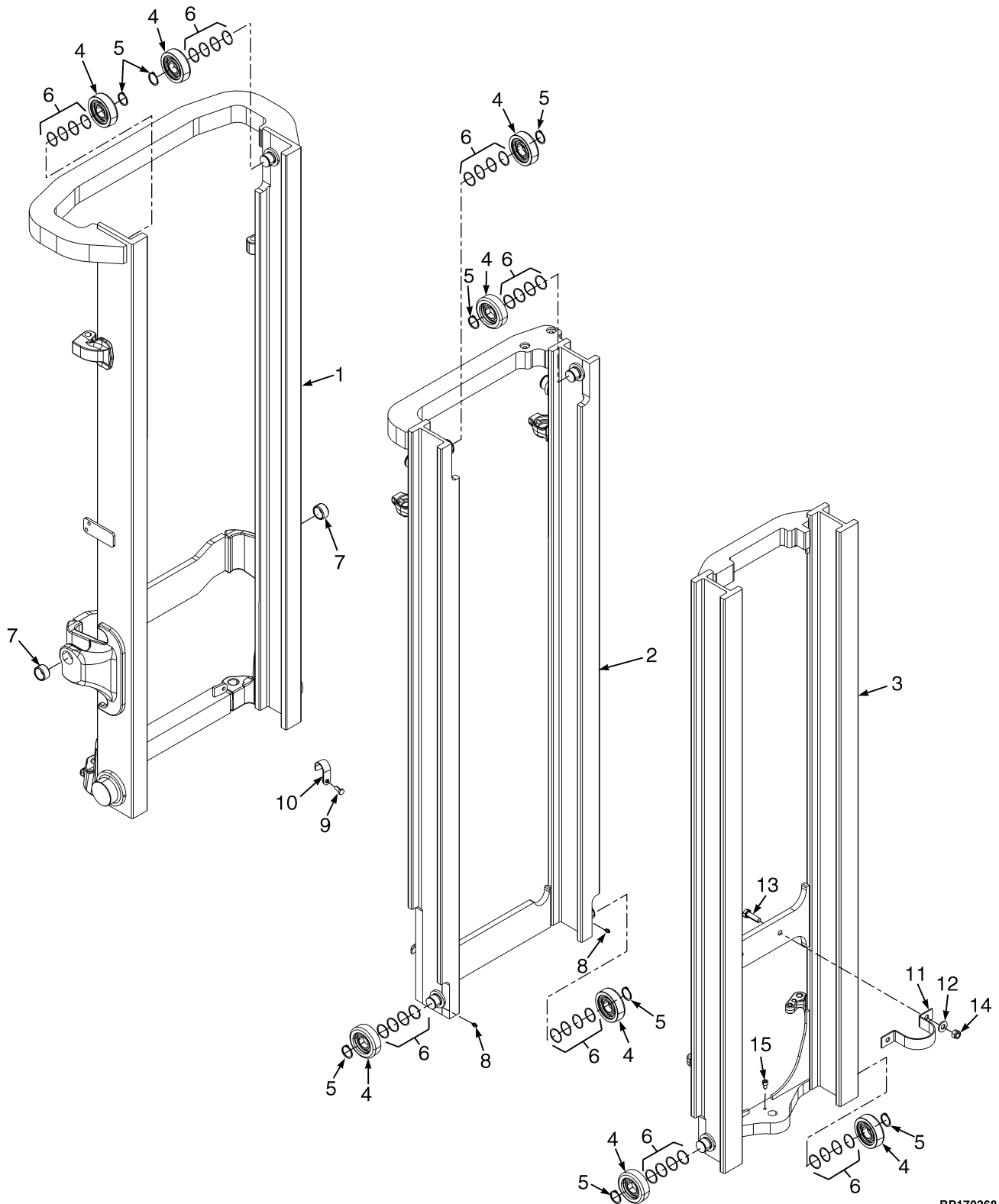
SECTION 8

MAST-THREE STAGE FULL FREE-LIFT

DESCRIPTION	PAGE
CARRIAGE ASSEMBLY	
THREE STAGE FULL FREE LIFT - A271 - STANDARD	8-20
THREE STAGE FULL FREE LIFT - C662 - STANDARD	8-50
FREE LIFT ASSEMBLY	
THREE STAGE FULL FREE LIFT - A271 (→ S/N A271B02146H)	8-8
THREE STAGE FULL FREE LIFT - A271 (S/N A271B02147H →)	8-12
THREE STAGE FULL FREE LIFT - C662	8-42
FREE LIFT CYLINDER ASSEMBLY	
THREE STAGE FULL FREE LIFT - A271	8-18
THREE STAGE FULL FREE LIFT - C662	8-48
HEADER HOSE ASSEMBLY	
THREE STAGE FULL FREE LIFT - A271 (S/N A935B01869H →) (S/N A271B02147H →)	8-30
THREE STAGE FULL FREE LIFT - A271 - 3 RD FUNCTION HOSES (→ S/N A271B02146H) (→ S/N A935B01868H)	8-22
THREE STAGE FULL FREE LIFT - A271 - 4 TH FUNCTION HOSES (→ S/N A271B02146H) (→ S/N A935B01868H)	8-26
THREE STAGE FULL FREE LIFT - C662 - 3 RD FUNCTION HOSES (→ S/N C662B02349H) (→ S/N A935B01868H)	8-52
THREE STAGE FULL FREE LIFT - C662 - 4 TH FUNCTION HOSES (→ S/N A935B01868H) (→ S/N C662B02349H)	8-54
THREE STAGE FULL FREE-LIFT - C662 (S/N A935B01869H →) (S/N C662B02350H →)	8-58
MAIN LIFT ASSEMBLY	
THREE STAGE FULL FREE LIFT - A271	8-6
THREE STAGE FULL FREE LIFT - C662	8-38
MAIN LIFT CYLINDER ASSEMBLY	
THREE STAGE FULL FREE LIFT - A271	8-16
THREE STAGE FULL FREE LIFT - C662	8-44
MAST ASSEMBLY	
THREE STAGE FULL FREE LIFT - A271 - INNER, INTERMEDIATE AND OUTER (→ S/N A271B02146H)	8-2
THREE STAGE FULL FREE LIFT - A271 - INNER, INTERMEDIATE AND OUTER (S/N A271B02147H →)	8-4
THREE STAGE FULL FREE LIFT - C662 - INNER, INTERMEDIATE AND OUTER (→ S/N C662B02349H)	8-34
THREE STAGE FULL FREE LIFT - C662 - INNER, INTERMEDIATE AND OUTER (S/N C662B02350H →)	8-36

MAST ASSEMBLY (FIGURE 8-1)

THREE STAGE FULL FREE LIFT - A271 — INNER, INTERMEDIATE AND OUTER (→ S/N A271B02146H)



BP170368

MAST ASSEMBLY

THREE STAGE FULL FREE LIFT - A271 – INNER, INTERMEDIATE AND OUTER (→ S/N A271B02146H)

A271

ITEM	DESCRIPTION 1 2 3 4	LIFT HEIGHT TO BOTTOM OF FORKS				
		4260 mm (167.7 in.)	4560 mm (179.5 in.)	4860 mm (191.3 in.)	5160 mm (203.1 in.)	5460 mm (215.0 in.)
		A271 4260	A271 4560	A271 4860	A271 5160	A271 5460
	Mast Assy	2099925	2099927	2099930	2099933	2099935
1	Outer Mast	1631406	1631408	1631410	1631413	1631415
2	Intermediate Mast	1631606	1631608	1631610	1631613	1631615
3	Inner Mast	1631706	1631708	1631710	1631713	1631715

ITEM	PART NO.	DESCRIPTION	QTY
	b	Mast Assy	1
1	b	Outer Mast	1
2	b	Intermediate Mast	1
3	b	Inner Mast	1
4	1604900	Load Roller	8
5	58908	Snap Ring	8
6	1631492	Shim	AR
7	1348185	Bushing	AR
8	16045	Lube Ftg	2
9	1581580	Capscrew	4
10	1631160	Clamp	2
11	1631245	Bracket	1
12	1581852	Washer	4
13	1581832	Capscrew	2
14	1581849	Nut	2
15	296008	Capscrew	1
	a 1581585	Capscrew	4
	a 4000081	Foam Tape	2

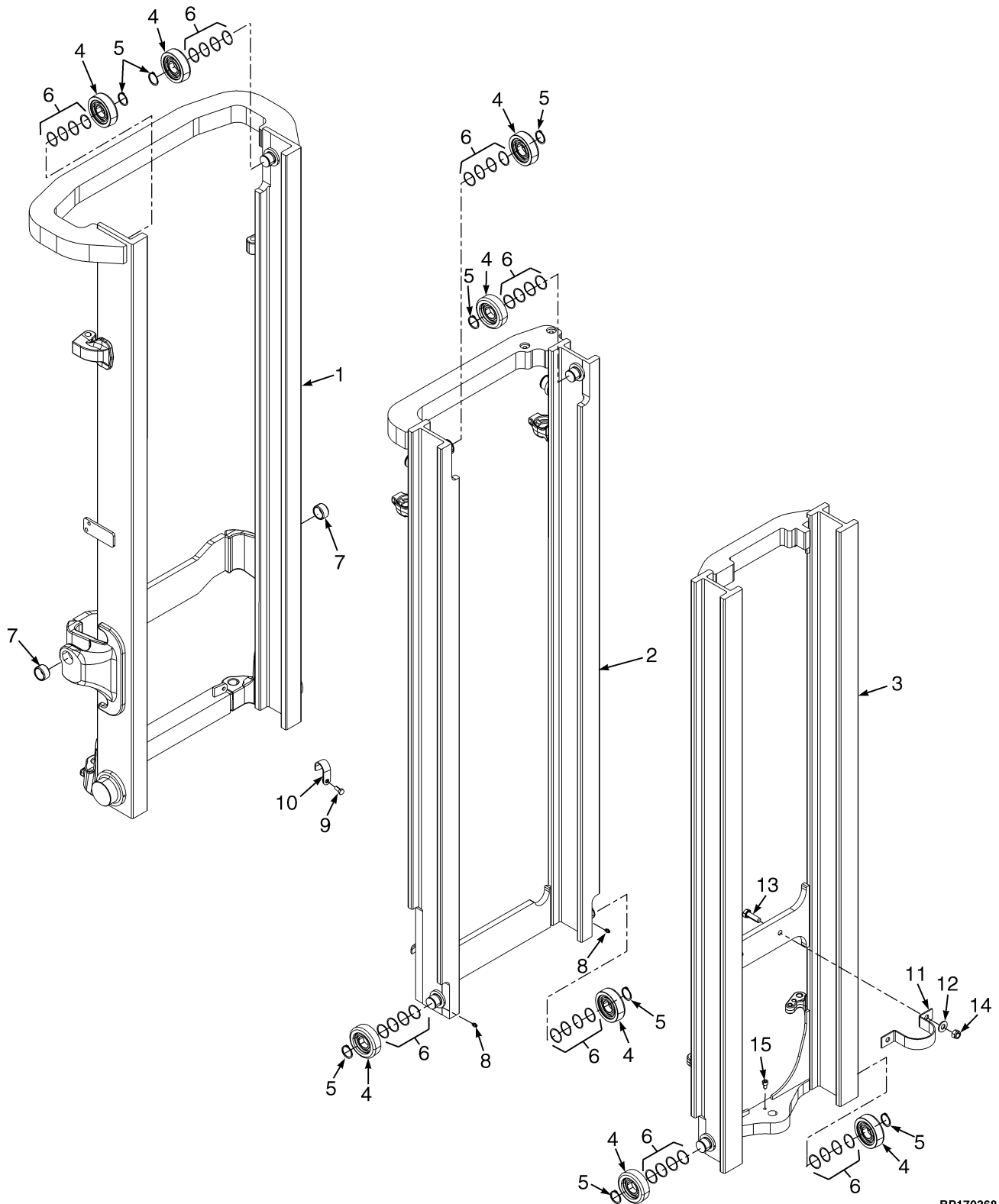
FOOTNOTES:

a Not Illustrated

b Refer to Table

MAST ASSEMBLY (FIGURE 8-2)

THREE STAGE FULL FREE LIFT - A271 — INNER, INTERMEDIATE AND OUTER (S/N A271B02147H →)



BP170368

MAST ASSEMBLY

THREE STAGE FULL FREE LIFT - A271 – INNER, INTERMEDIATE AND OUTER (S/N A271B02147H →)

A271

ITEM	DESCRIPTION 1 2 3 4	LIFT HEIGHT TO BOTTOM OF FORKS				
		4260 mm (167.7 in.)	4560 mm (179.5 in.)	4860 mm (191.3 in.)	5160 mm (203.1 in.)	5460 mm (215.0 in.)
		A271 4260	A271 4560	A271 4860	A271 5160	A271 5460
	Mast Assy	2099925	2099927	2099930	2099933	2099935
1	Outer Mast	1630406	1630408	1630410	1630413	1630415
2	Intermediate Mast	1631606	1631608	1631610	1631613	1631615
3	Inner Mast	1631706	1631708	1631710	1631713	1631715

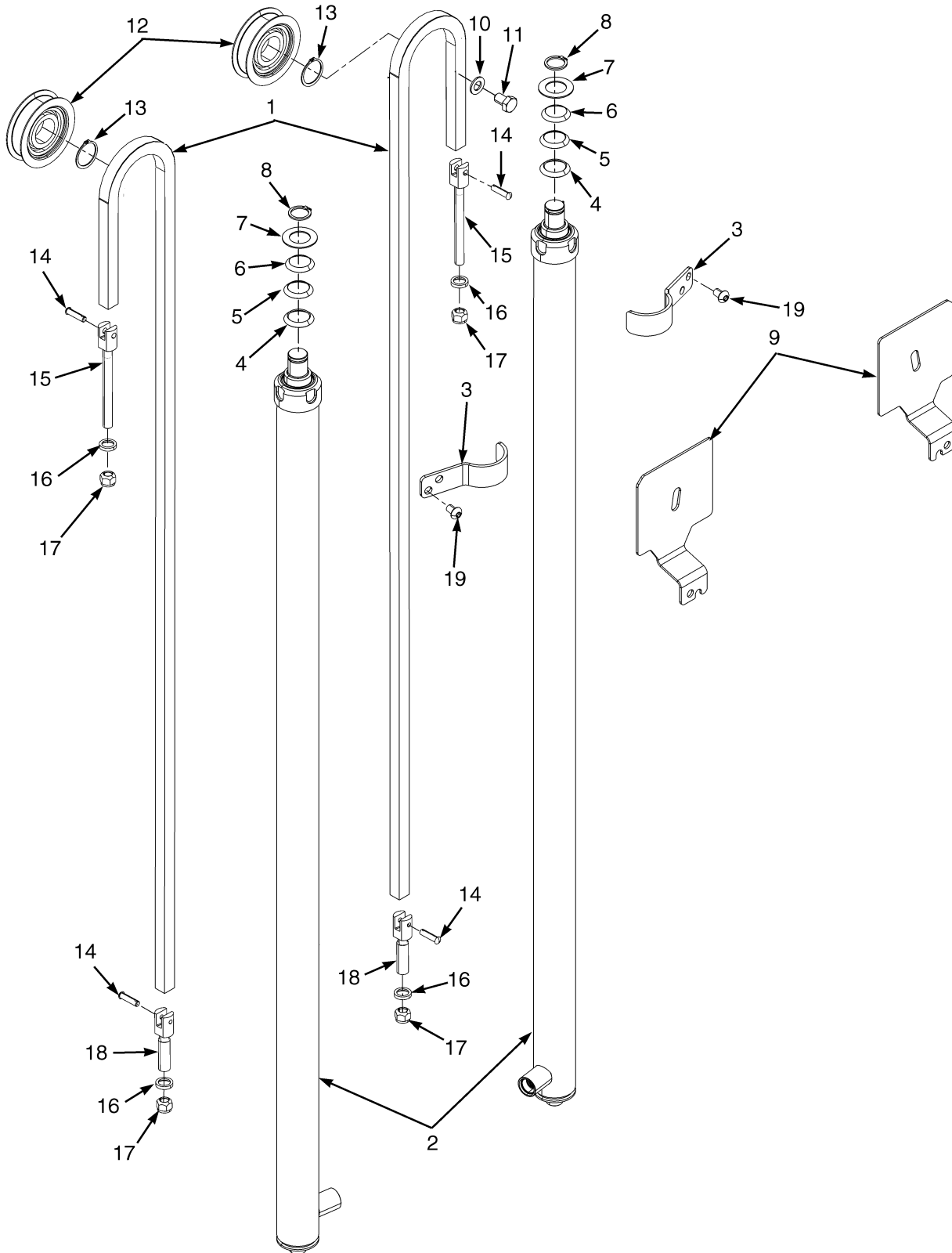
ITEM	PART NO.	DESCRIPTION	QTY
	b	Mast Assy	1
1	b	Outer Mast	1
2	b	Intermediate Mast	1
3	b	Inner Mast	1
4	1604900	Load Roller	8
5	58908	Snap Ring	8
6	1631492	Shim	AR
7	1348185	Bushing	AR
8	16045	Lube Ftg	2
9	1581580	Capscrew	4
10	1631160	Clamp	2
11	1631245	Bracket	1
12	1581852	Washer	4
13	1581832	Capscrew	2
14	1581849	Nut	2
15	296008	Capscrew	1
	a 1581585	Capscrew	4
	a 4000081	Foam Tape	2

FOOTNOTES:

a Not Illustrated

b Refer to Table

MAIN LIFT ASSEMBLY (FIGURE 8-3) THREE STAGE FULL FREE LIFT - A271



BP170367

**MAIN LIFT ASSEMBLY
THREE STAGE FULL FREE LIFT - A271**

A271

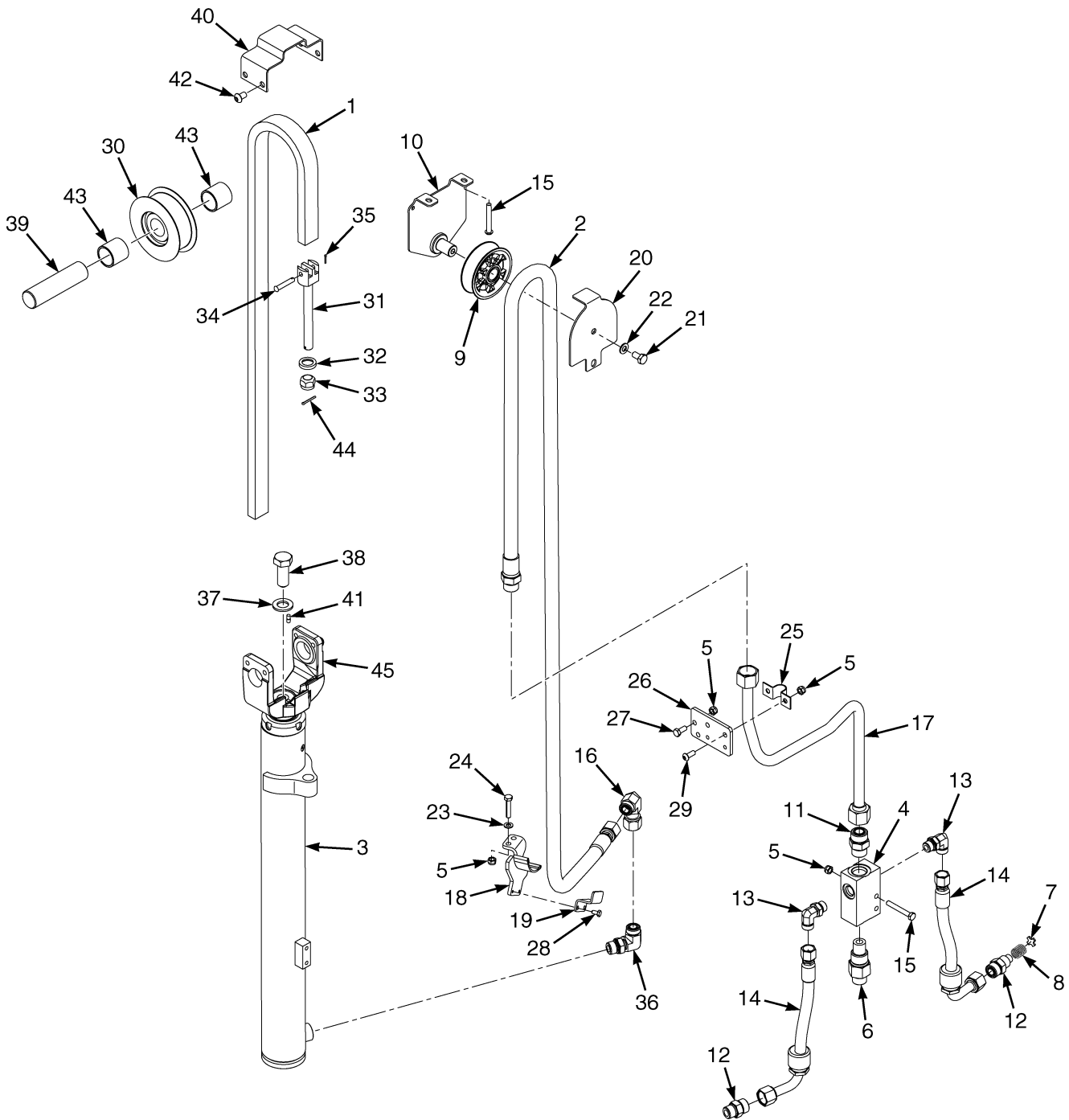
ITEM	DESCRIPTION 1 2 3 4	LIFT HEIGHT TO BOTTOM OF FORKS				
		4260 mm (167.7 in.)	4560 mm (179.5 in.)	4860 mm (191.3 in.)	5160 mm (203.1 in.)	5460 mm (215.0 in.)
		Mast Group Number A271 4260	A271 4560	A271 4860	A271 5160	A271 5460
	Mast Assy	2099925	2099927	2099930	2099933	2099935
1	Chain	363699	363638	1631666	363639	1631671

ITEM	PART NO.	DESCRIPTION	QTY
	a	Mast Assy	1
1	a	Chain	1
2	Cylinder Assembly (☞ Figure 8-6).....	1
3	1631152	Bracket	2
4	1354917	Washer (1.524 mm)	AR
5	1354916	Washer (0.762 mm)	AR
6	1354915	Washer (0.254 mm)	AR
7	1333382	Washer (1.500 mm)	2
8	131358	Snap Ring	1
9	1676812	Cover Plate	2
10	1581559	Washer	1
11	1581589	Capscrew	1
12	1604907	Chain Sheave	2
13	58901	Snap Ring	2
14	1631164	Pin	4
15	1631237	Chain Anchor	2
16	322899	Ring	4
17	322897	Nut	4
18	363472	Chain Anchor	2
19	1658934	Capscrew	4

FOOTNOTES:

a Refer to Table

FREE LIFT ASSEMBLY (FIGURE 8-4) THREE STAGE FULL FREE LIFT - A271 (→ S/N A271B02146H)



BP170369

FREE LIFT ASSEMBLY
THREE STAGE FULL FREE LIFT - A271 (→ S/N A271B02146H)

A271

ITEM	DESCRIPTION 1 2 3 4	LIFT HEIGHT TO BOTTOM OF FORKS				
		4260 mm (167.7 in.)	4560 mm (179.5 in.)	4860 mm (191.3 in.)	5160 mm (203.1 in.)	5460 mm (215.0 in.)
		A271 4260	A271 4560	A271 4860	A271 5160	A271 5460
	Mast Assy	2099925	2099927	2099930	2099933	2099935
1	Chain	266704	186941	333185	266706	186859
2	Hose Assy	2099963	2099965	2099967	2099969	2099971

ITEM	PART NO.	DESCRIPTION	QTY
	a	Mast Assy	1
1	a	Chain	1
2	a	Hose Assy	1
3	Cylinder Assembly (☞ Figure 8-7).....	1
4	1388019	Housing	1
5	1581566	Nut	2
6	1481348	Lowering Control Valve	1
7	323160	Washer	2
8	120938	Spring	2
9	1343989	Hose Sheave	1
10	1631290	Bracket Wldmt	1
11	1473888	Fitting	1
12	1605087	Fitting	2
13	1473897	Fitting	2
14	2100011	Hose Assy	2
15	1597450	Bolt	2
16	1486773	Fitting	1
17	2099597	Tube Assy	1
17	2111075	Tube Assy	1
18	1631241	Bracket Wldmt	1
19	1631244	Bracket	1
20	1631291	Cover Plate	1
21	1581585	Capscrew	3
22	1581557	Washer	3
23	1581556	Washer	2
24	1581582	Capscrew	2
25	1363251	Clamp	1
26	1631483	Plate	1
27	1581580	Capscrew	4
28	1673312	Capscrew	2
29	1597448	Capscrew	2
30	1604904	Chain Sheave	1
31	1631142	Chain Anchor	1
32	161004	Ring	1
33	161003	Nut	1
34	315634	Chain Anchor Pin	1
35	15211	Cotter Pin	1

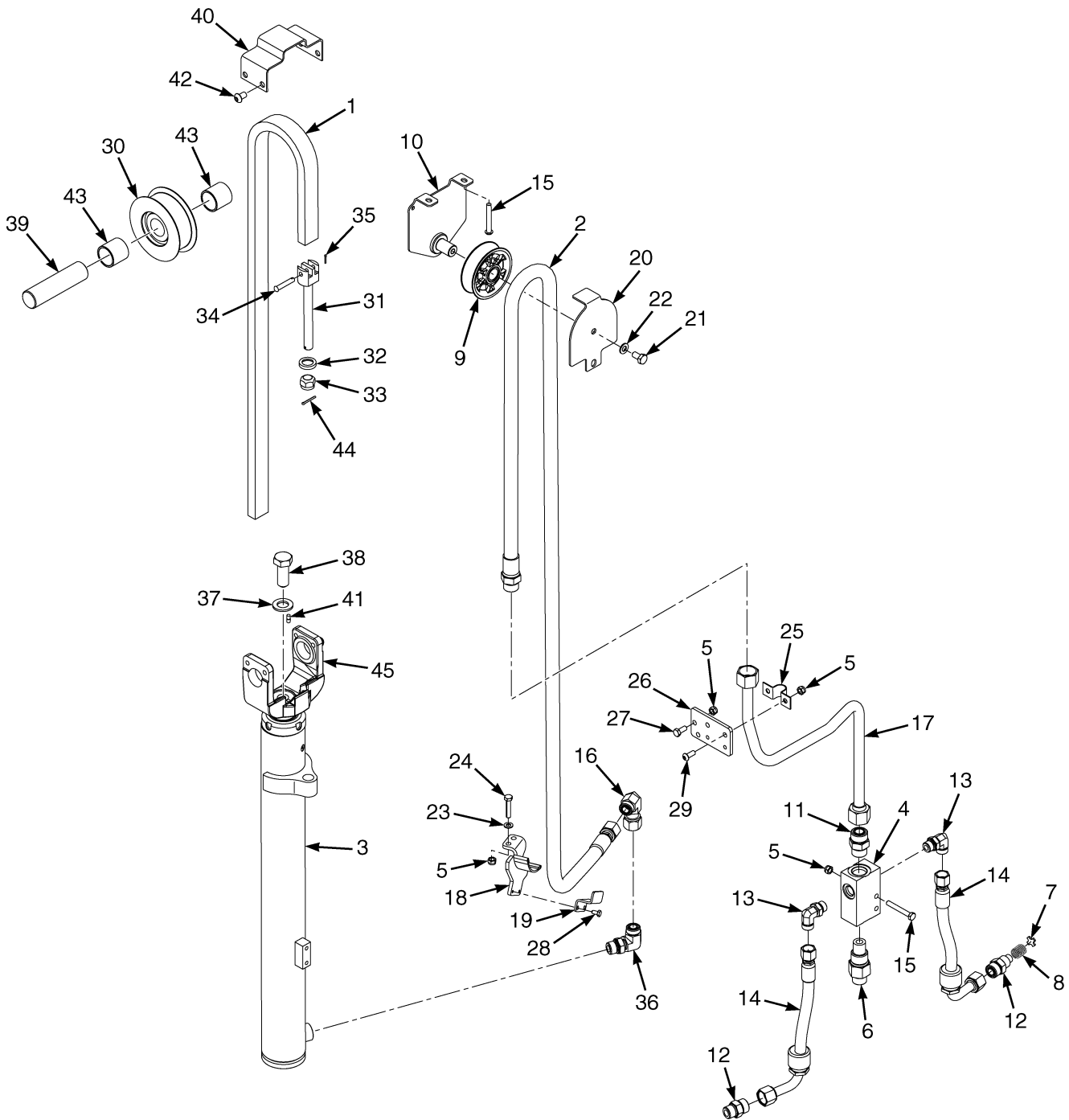
FREE LIFT ASSEMBLY
THREE STAGE FULL FREE LIFT - A271 (→ S/N A271B02146H)

ITEM	PART NO.	DESCRIPTION	QTY
36	1481346	Valve	1
37	1626490	Washer	1
38	1596406	Capscrew	1
39	1621258	Pin	1
40	1631276	Bracket	1
41	310549	Pin	1
42	1658934	Capscrew	4
43	1631396	Bushing	2
44	15223	Cotter Pin	3
45	1621252	Crosshead	1

FOOTNOTES:

- a Refer to Table

FREE LIFT ASSEMBLY (FIGURE 8-5) THREE STAGE FULL FREE LIFT - A271 (S/N A271B02147H →)



BP170369

FREE LIFT ASSEMBLY
THREE STAGE FULL FREE LIFT - A271 (S/N A271B02147H →)

A271

ITEM	DESCRIPTION 1 2 3 4	LIFT HEIGHT TO BOTTOM OF FORKS				
		4260 mm (167.7 in.)	4560 mm (179.5 in.)	4860 mm (191.3 in.)	5160 mm (203.1 in.)	5460 mm (215.0 in.)
		A271 4260	A271 4560	A271 4860	A271 5160	A271 5460
	Mast Assy	2099925	2099927	2099930	2099933	2099935
1	Chain	266704	186941	333185	266706	186859
2	Hose Assy	2099960	2099962	2099964	2099967	2099968

ITEM	PART NO.	DESCRIPTION	QTY
	a	Mast Assy	1
1	a	Chain	1
2	a	Hose Assy	1
3	Cylinder Assembly (☞ Figure 8-7).....	1
4	1388019	Housing	1
5	1581566	Nut	2
6	1481348	Lowering Control Valve	1
7	323160	Washer	2
8	120938	Spring	2
9	1343989	Hose Sheave	1
10	1631290	Bracket Wldmt	1
11	1473888	Fitting	1
12	1605087	Fitting	2
13	1473897	Fitting	2
14	2100011	Hose Assy	2
15	1597450	Bolt	2
16	1486773	Fitting	1
17	2099597	Tube Assy	1
17	2111075	Tube Assy	1
18	1631241	Bracket Wldmt	1
19	1631244	Bracket	1
20	1631291	Cover Plate	1
21	1581585	Capscrew	3
22	1581557	Washer	3
23	1581556	Washer	2
24	1581582	Capscrew	2
25	1363251	Clamp	1
26	1631483	Plate	1
27	1581580	Capscrew	4
28	1673312	Capscrew	2
29	1597448	Capscrew	2
30	1604904	Chain Sheave	1
31	1631142	Chain Anchor	1
32	161004	Ring	1
33	161003	Nut	1
34	315634	Chain Anchor Pin	1
35	15211	Cotter Pin	1

FREE LIFT ASSEMBLY
THREE STAGE FULL FREE LIFT - A271 (S/N A271B02147H →)

ITEM	PART NO.	DESCRIPTION	QTY
36	1481346	Valve	1
37	1626490	Washer	1
38	1596406	Capscrew	1
39	1621258	Pin	1
40	1631276	Bracket	1
41	310549	Pin	1
42	1658934	Capscrew	4
43	1631396	Bushing	2
44	15223	Cotter Pin	3
45	1621252	Crosshead	1

FOOTNOTES:

- a Refer to Table

**MAIN LIFT CYLINDER ASSEMBLY
THREE STAGE FULL FREE LIFT - A271**

A271

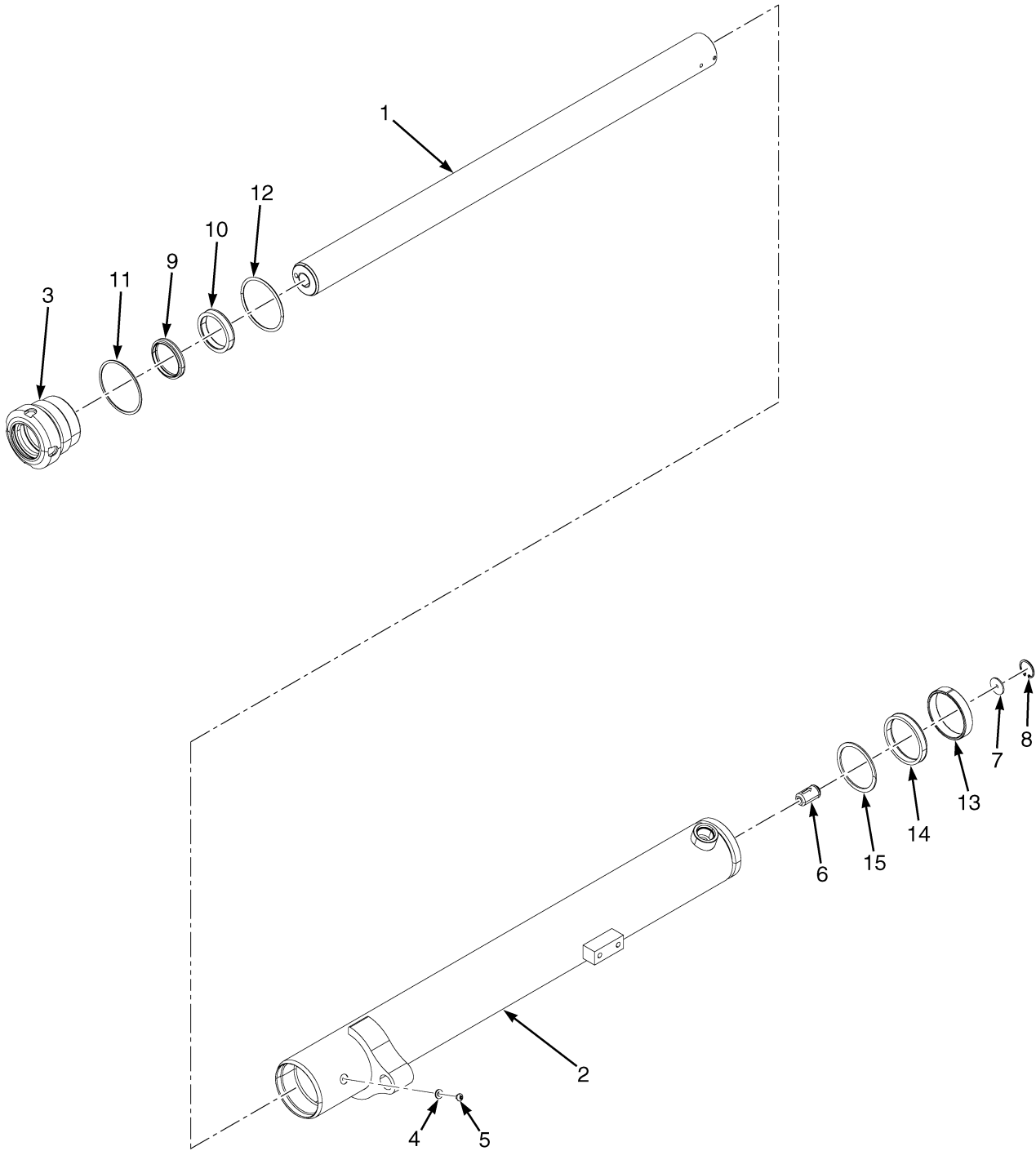
ITEM	DESCRIPTION 1 2 3 4	LIFT HEIGHT TO BOTTOM OF FORKS				
		4260 mm (167.7 in.)	4560 mm (179.5 in.)	4860 mm (191.3 in.)	5160 mm (203.1 in.)	5460 mm (215.0 in.)
		Mast Group Number	A271 4260	A271 4560	A271 4860	A271 5160
	Cylinder Group Number	8537906	8537908	8537910	8537912	8537914
	Cylinder Assy	2096943	2096945	2096947	2096949	2096951
1	Tube Wldmt- Cylinder	2096908	2096910	2096912	2096914	2096916
2	Rod Assy	2106274	2106275	2106276	2106277	2106286
3	Spacer	----	----	----	1355610	1355610

ITEM	PART NO.	DESCRIPTION	QTY
	a	Cylinder Assy	1
1	a	Tube Wldmt-Cylinder	1
2	a	Rod Assy	1
3	a	Spacer	1
4	1642156	Gland	1
5	257913	Check Valve	1
6	297531	Washer	1
7	187388	Snap Ring	1
8	322824	Back-Up Ring	2
9	330692	Rod Seal	1
10	1362871	Wear Ring	1
11	322902	Wear Ring	1
12	1383063	Rod Wiper	1
13	1356749	Rod Seal	1
14	1362875	Piston Ring	1
15	55407	O-Ring	1
16	190580	O-Ring	1
	1642160	Kit-Seal	1

FOOTNOTES:

a Refer to Table

FREE LIFT CYLINDER ASSEMBLY (FIGURE 8-7) THREE STAGE FULL FREE LIFT - A271



BP170141

**FREE LIFT CYLINDER ASSEMBLY
THREE STAGE FULL FREE LIFT - A271**

A271

ITEM	DESCRIPTION 1 2 3 4	LIFT HEIGHT TO BOTTOM OF FORKS				
		4260 mm (167.7 in.)	4560 mm (179.5 in.)	4860 mm (191.3 in.)	5160 mm (203.1 in.)	5460 mm (215.0 in.)
		Mast Group Number	A271 4260	A271 4560	A271 4860	A271 5160
	Cylinder Group Number	8537706	8537708	8537710	8537713	8537715
	Cylinder Assy	2094525	2094527	2094529	2094532	2097993
1	Tube Wldmt- Cylinder	2094538	2094540	2094542	2094545	2094547
2	Rod Assy	2094552	2094554	2094556	2094559	2094561

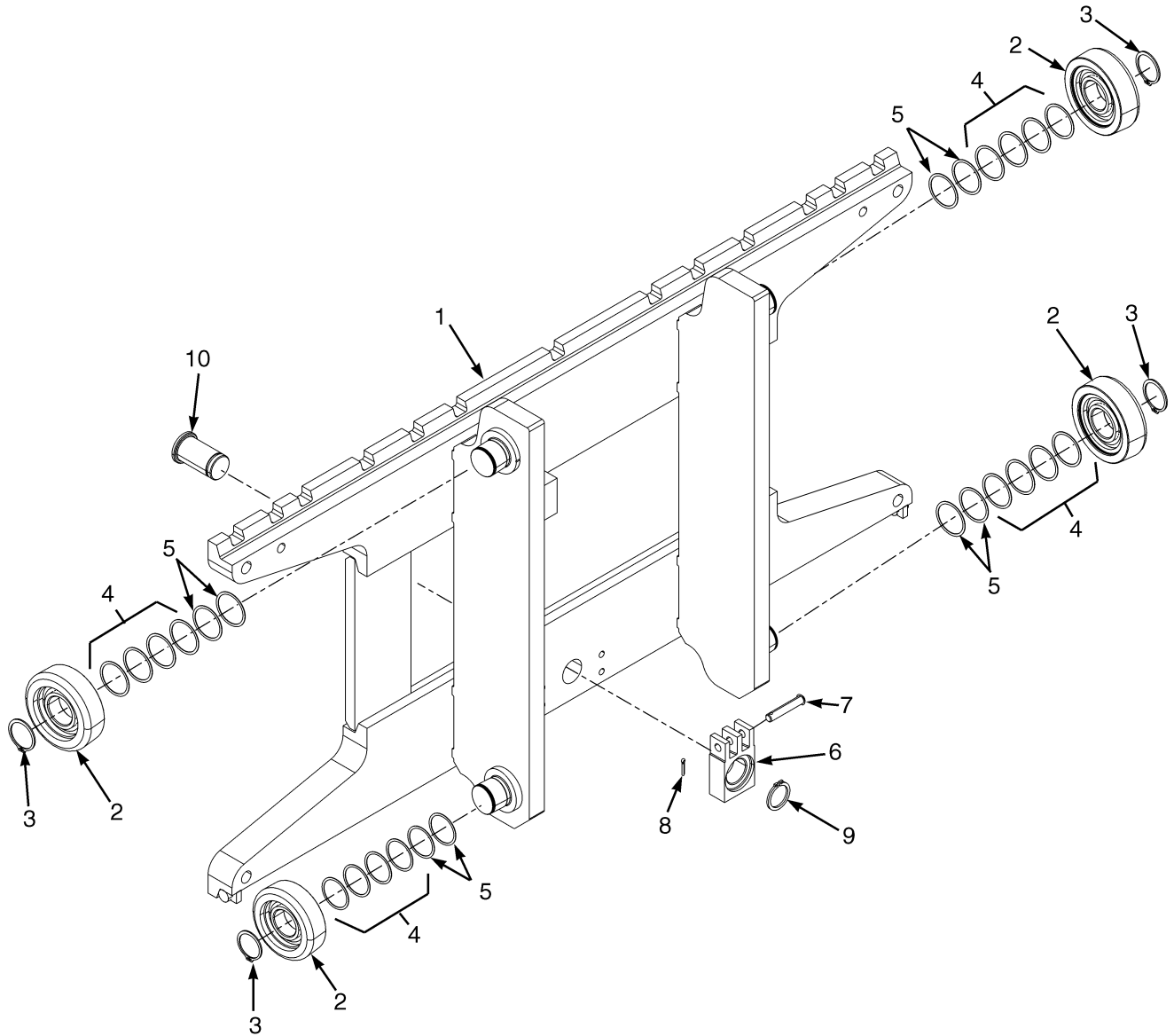
ITEM	PART NO.	DESCRIPTION	QTY
	b	Cylinder Assy	1
1	b	Tube Wldmt-Cylinder	1
2	b	Rod Assy	1
3	1648871	Gland	1
4	190887	Sealing Ring	1
5	295649	Screw	1
6	257913	Check Valve	1
6	297538	Check Valve (Alternate Part)	1
7	297531	Washer	1
8	187388	Snap Ring	1
9	1463105	Rod Wiper	1
10	1358970	Rod Seal	1
10	1622946	Rod Seal (Alternate Part)	1
11	154375	Back-Up Ring	1
12	15879	O-Ring	1
13	2094421	Wear Ring	1
14	358300	Rod Seal	1
15	351532	Back-Up Ring	1
	a 190580	O-Ring	1
	2093512	Kit-Seal	1

FOOTNOTES:

a Not Illustrated

b Refer to Table

CARRIAGE ASSEMBLY (FIGURE 8-8) THREE STAGE FULL FREE LIFT - A271 — STANDARD

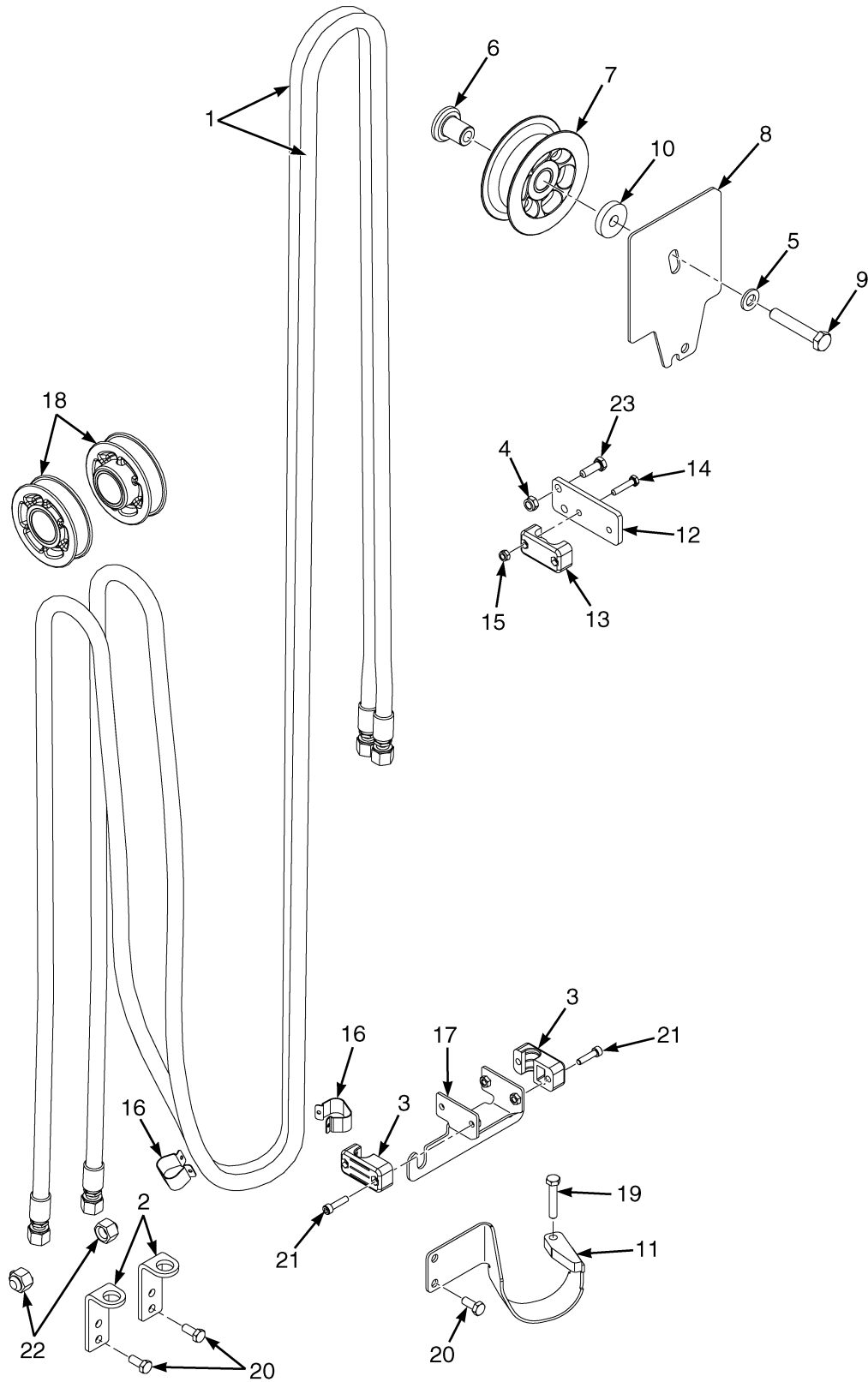


BP170373

CARRIAGE ASSEMBLY
THREE STAGE FULL FREE LIFT - A271 – STANDARD

ITEM	PART NO.	DESCRIPTION	QTY
	2098671	Carriage Assembly	1
1	1600857	Carriage	1
2	1604900	Load Roller	4
3	58908	Snap Ring	4
4	1631492	Shim	20
5	215240	Shim (0,762 mm)	16
6	1631499	Anchor	1
7	315634	Chain Anchor Pin	1
8	15211	Cotter Pin	1
9	131358	Snap Ring	1
10	185597	Pin	1

HEADER HOSE ASSEMBLY (FIGURE 8-9)
THREE STAGE FULL FREE LIFT - A271 — 3 RD FUNCTION HOSES (→ S/N A271B02146H)
(→ S/N A935B01868H)



BP170371

HEADER HOSE ASSEMBLY
THREE STAGE FULL FREE LIFT - A271 – 3 RD FUNCTION HOSES (→ S/N A271B02146H)
(→ S/N A935B01868H)

A271

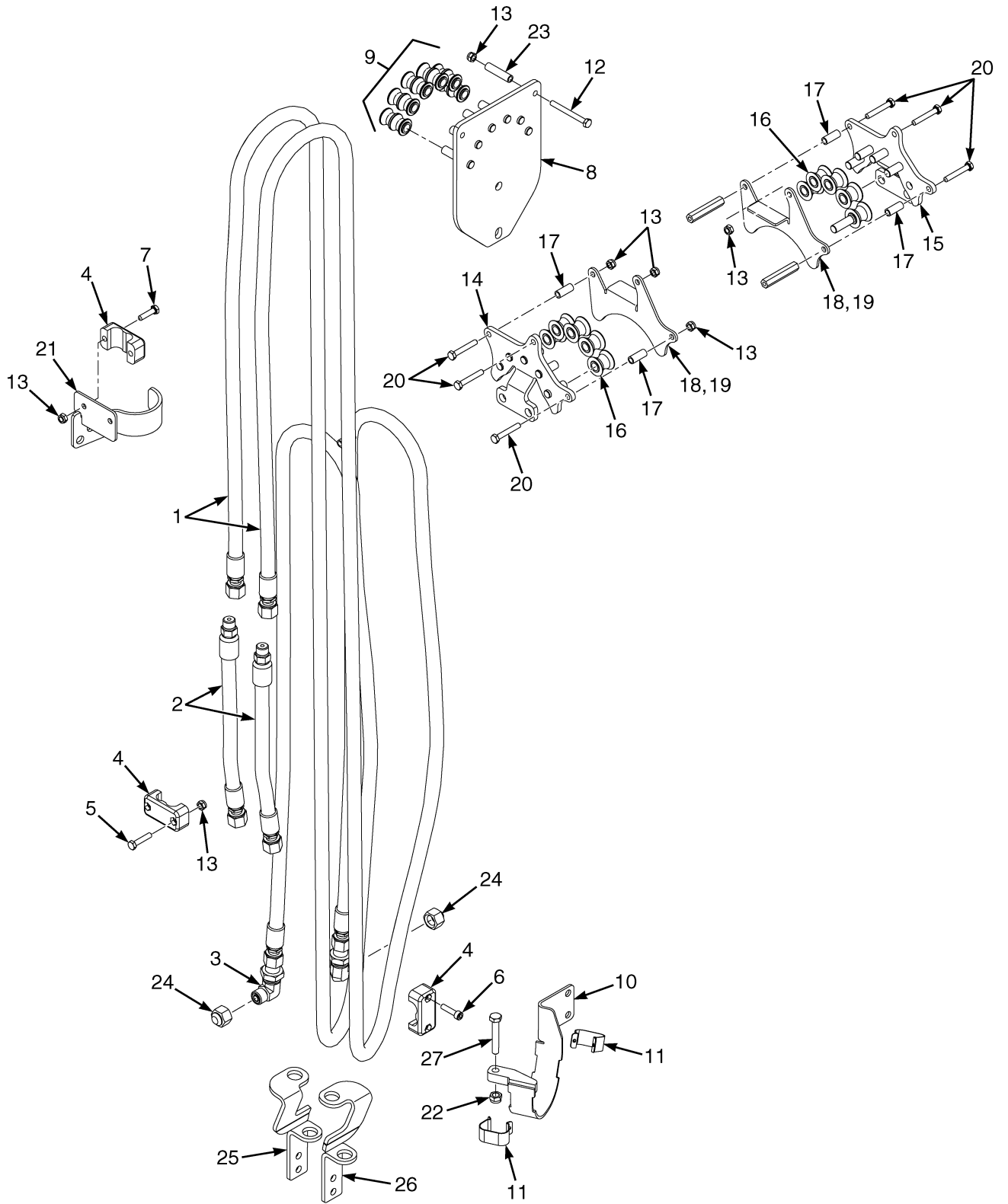
ITEM	DESCRIPTION 1 2 3 4	LIFT HEIGHT TO BOTTOM OF FORKS				
		4260 mm (167.7 in.)	4560 mm (179.5 in.)	4860 mm (191.3 in.)	5160 mm (203.1 in.)	5460 mm (215.0 in.)
		A271 4260	A271 4560	A271 4860	A271 5160	A271 5460
1	Hose Assy	2100406	2100408	2100412	2100416	2100420
2	Bracket	1621637	1621637	1621637	1621637	1621637
3	Clamp (Single Hose)	1631196	1631196	1631196	1631196	1631196

ITEM	PART NO.	DESCRIPTION	QTY
1	a	Hose Assy	2
2	a	Bracket	2
3	a	Clamp (Single Hose)	2
4	1581566	Nut	3
5	1581852	Washer	1
6	1631381	Stubshaft	1
7	1631188	Hose Sheave	1
8	1676810	Cover Plate	1
9	1581830	Capscrew	1
10	1676880	Washer	1
11	1631233	Bracket Wldmt	1
12	1631484	Plate	1
13	1360386	Clamp (Double Hose)	1
14	1581834	Capscrew	2
15	1581565	Nut	2
16	1631248	Clip	2
17	1631372	Bracket Wldmt	1
18	1631395	Hose Sheave	2
19	1581835	Capscrew	1
20	1581580	Capscrew	6
21	1581741	Capscrew	4
22	1529015	Cap	2
23	1581581	Capscrew	2

FOOTNOTES:

a Refer to Table

HEADER HOSE ASSEMBLY (FIGURE 8-10)
THREE STAGE FULL FREE LIFT - A271 — 4 TH FUNCTION HOSES (→ S/N A271B02146H)
(→ S/N A935B01868H)



BP170370

HEADER HOSE ASSEMBLY
THREE STAGE FULL FREE LIFT - A271 – 4 TH FUNCTION HOSES (→ S/N A271B02146H)
(→ S/N A935B01868H)

A271

ITEM	DESCRIPTION 1 2 3 4	LIFT HEIGHT TO BOTTOM OF FORKS				
		4260 mm (167.7 in.)	4560 mm (179.5 in.)	4860 mm (191.3 in.)	5160 mm (203.1 in.)	5460 mm (215.0 in.)
		Mast Group Number A271 4260	A271 4560	A271 4860	A271 5160	A271 5460
1	Hose Assy	2100406	2100408	2100412	2100416	2100420
2	Hose Assy	2106456	2106456	2106455	2106455	2106455

ITEM	PART NO.	DESCRIPTION	QTY
1	a	Hose Assy	2
2	a	Hose Assy	2
3	1528579	Fitting	2
4	1360386	Clamp (Double Hose)	3
5	1581834	Capscrew	2
6	1581741	Capscrew	2
7	1673565	Capscrew	2
8	1631376	Mounting Weldment	1
9	1631297	Hose Sheave	6
10	1631382	Bracket Wldmt	1
11	1631248	Clip	2
12	1597662	Capscrew	2
13	1581565	Nut	10
14	1631377	Bracket Wldmt	1
15	1631378	Bracket Wldmt	1
16	1676097	Hose Sheave (Target Roller)	10
17	1631292	Spacer	4
18	1631227	Bracket Wldmt	1
19	1631384	Hose Guard	2
20	1581578	Capscrew	4
21	1631153	Bracket Wldmt	1
22	1581566	Nut	1
23	1631275	Spacer	2
24	1529015	Cap	2
25	1621144		
	1621086	Bracket	1
26	1621145		
	1621087	Bracket	1
27	1581583	Capscrew	1

FOOTNOTES:

a Refer to Table

HEADER HOSE ASSEMBLY
THREE STAGE FULL FREE LIFT – A271 (S/N A935B01869H →) (S/N A271B02147H →)

A271

ITEM	DESCRIPTION 1 2 3 4	LIFT HEIGHT TO BOTTOM OF FORKS				
		4260 mm (167.7 in.)	4560 mm (179.5 in.)	4860 mm (191.3 in.)	5160 mm (203.1 in.)	5460 mm (215.0 in.)
		A271 4260	A271 4560	A271 4860	A271 5160	A271 5460
1	Hose Assy	2100404	2100406	2100408	4600437	2100416
2	Hose Assy	2106456	2106456	2106455	2106455	2106455
22	Hose Assy	----	2106495	----	2106496	2106498

KEY:

A: 3 Function

B: 4 Function

ITEM	PART NO.	DESCRIPTION	QTY	
			A	B
1	a	Hose Assy	2	2
2	a	Hose Assy	2
3	1581834	Capscrew	2	2
4	1581565	Nut	2	12
5	1631484	Plate	1	1
6	1360386	Clamp (Double Hose)	1	6
7	1581581	Capscrew	2	2
8	1581566	Nut	3	4
9	1347314	Clamp	1	1
10	1676810	Cover Plate	1	1
11	1581830	Capscrew	1	1
12	1676880	Washer	1	1
13	1581852	Washer	1	1
14	1631381	Stubshaft	1	1
15	1631188	Hose Sheave	1	1
16	1631376	Mounting Weldment	1
17	1597662	Capscrew	2
18	1631275	Spacer	2
19	1673565	Capscrew	2
20	1631153	Bracket Wldmt	1
21	1581742	Capscrew	2
22	a	Hose Assy	2	2
23	1631377	Bracket Wldmt	1
24	1631227	Bracket Wldmt	1
25	1631378	Bracket Wldmt	1
26	1581578	Capscrew	4
27	1631292	Spacer	4
28	1631395	Hose Sheave	2	2
29	1631196	Clamp (Single Hose)	2	2
30	1581741	Capscrew	4	4
31	1631372	Bracket Wldmt	1	1
32	1676097	Hose Sheave (Target Roller)	10
33	1631248	Clip	2	4

HEADER HOSE ASSEMBLY

THREE STAGE FULL FREE LIFT – A271 (S/N A935B01869H →) (S/N A271B02147H →)

KEY:

A: 3 Function

B: 4 Function

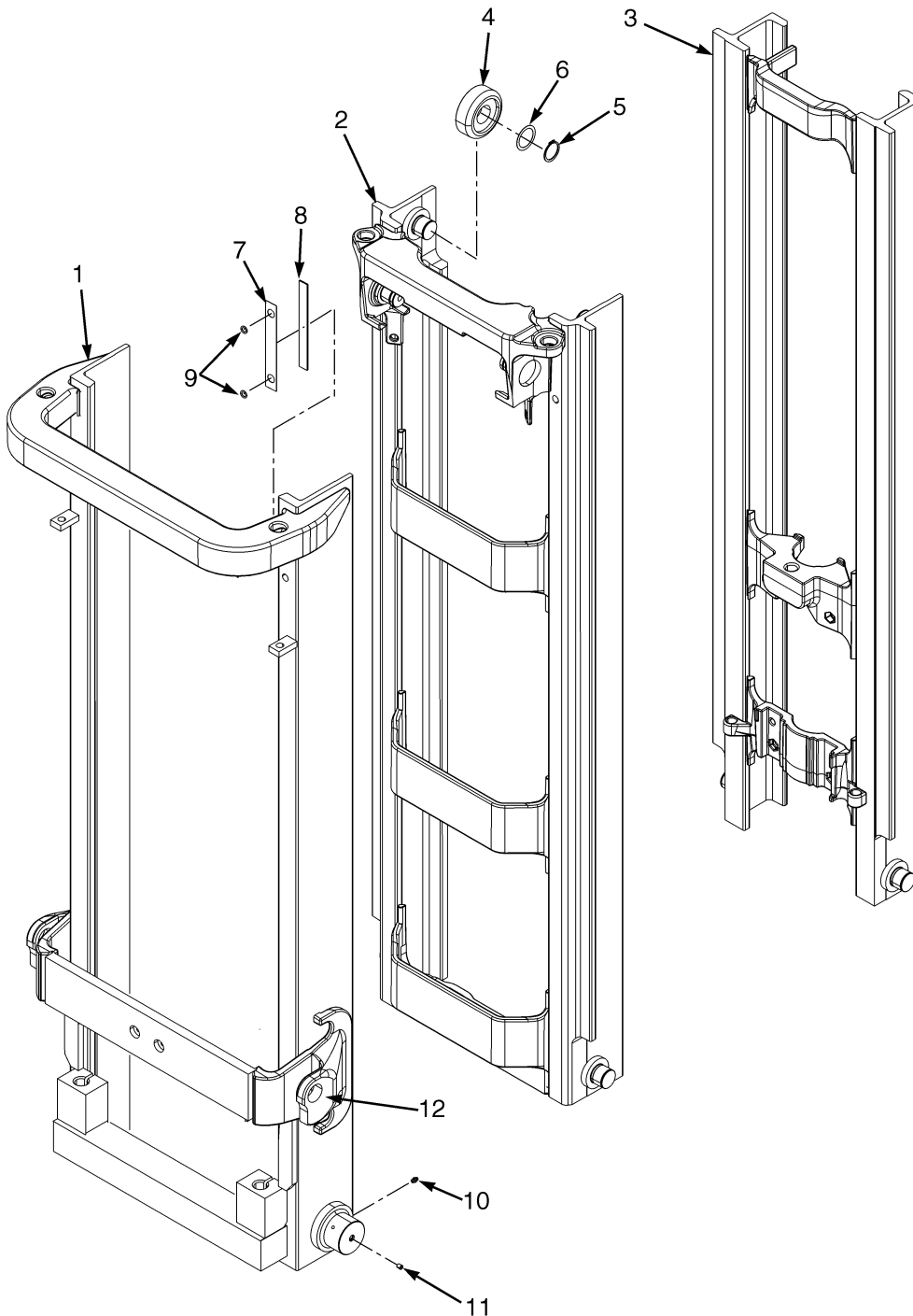
ITEM	PART NO.	DESCRIPTION	QTY	
			A	B
34	1631233	Bracket Wldmt	1	1
35	1631382	Bracket Wldmt	1
36	1581835	Capscrew	1	1
37	1621637	Bracket	2	2
38	1621144 1621086	Bracket	1
39	1621145 1621087	Bracket	1
40	1581580	Capscrew	6	6
41	1528579	Fitting	2	4
41	265787	O-Ring	2	4
42	1529015	Cap	2
43	1631297	Hose Sheave	6
44	1581853	Washer	1
45	4000081	Foam Tape	1

FOOTNOTES:

a Refer to Table

MAST ASSEMBLY (FIGURE 8-12)

THREE STAGE FULL FREE LIFT - C662 — INNER, INTERMEDIATE AND OUTER (→ S/N C662B02349H)



BP170361

MAST ASSEMBLY

THREE STAGE FULL FREE LIFT - C662 – INNER, INTERMEDIATE AND OUTER (→ S/N C662B02349H)

C662

ITEM	DESCRIPTION 1 2 3 4	LIFT HEIGHT TO BOTTOM OF FORKS				
		4260 mm (167.7 in.)	4560 mm (179.5 in.)	4860 mm (191.3 in.)	5160 mm (203.1 in.)	5460 mm (215.0 in.)
		C662 4260	C662 4560	C662 4860	C662 5160	C662 5460
	Mast Assy	2092008	2092010	2092012	2092014	2092016
1	Outer Mast	1621406	1621408	1621410	1621413	1621415
2	Intermediate Mast	1353005	1353007	1353009	1353011	1353013
3	Inner Mast	1481805	1481807	1481809	1481811	1481813

ITEM	PART NO.	DESCRIPTION	QTY
	b	Mast Assy	1
1	b	Outer Mast	1
2	b	Intermediate Mast	1
3	b	Inner Mast	1
4	1333399	Load Roller ("B") (92.18 mm/91.92 mm)	8
4	a 1395169	Load Roller ("A") (91.80 mm/91.54 mm)	8
5	1374797	Snap Ring	8
5	a 58901	Snap Ring	8
6	129387	Shim (0.508 mm)	AR
7	a 131716	Shim (0.508 mm)	AR
7	131715	Shim (0.178 mm)	8
8	215212	Wear Strip	4
9	104506	O-Ring	8
10	16041	Grease Fitting	2
11	15961	Fitting	2
12	1348185	Bushing	2

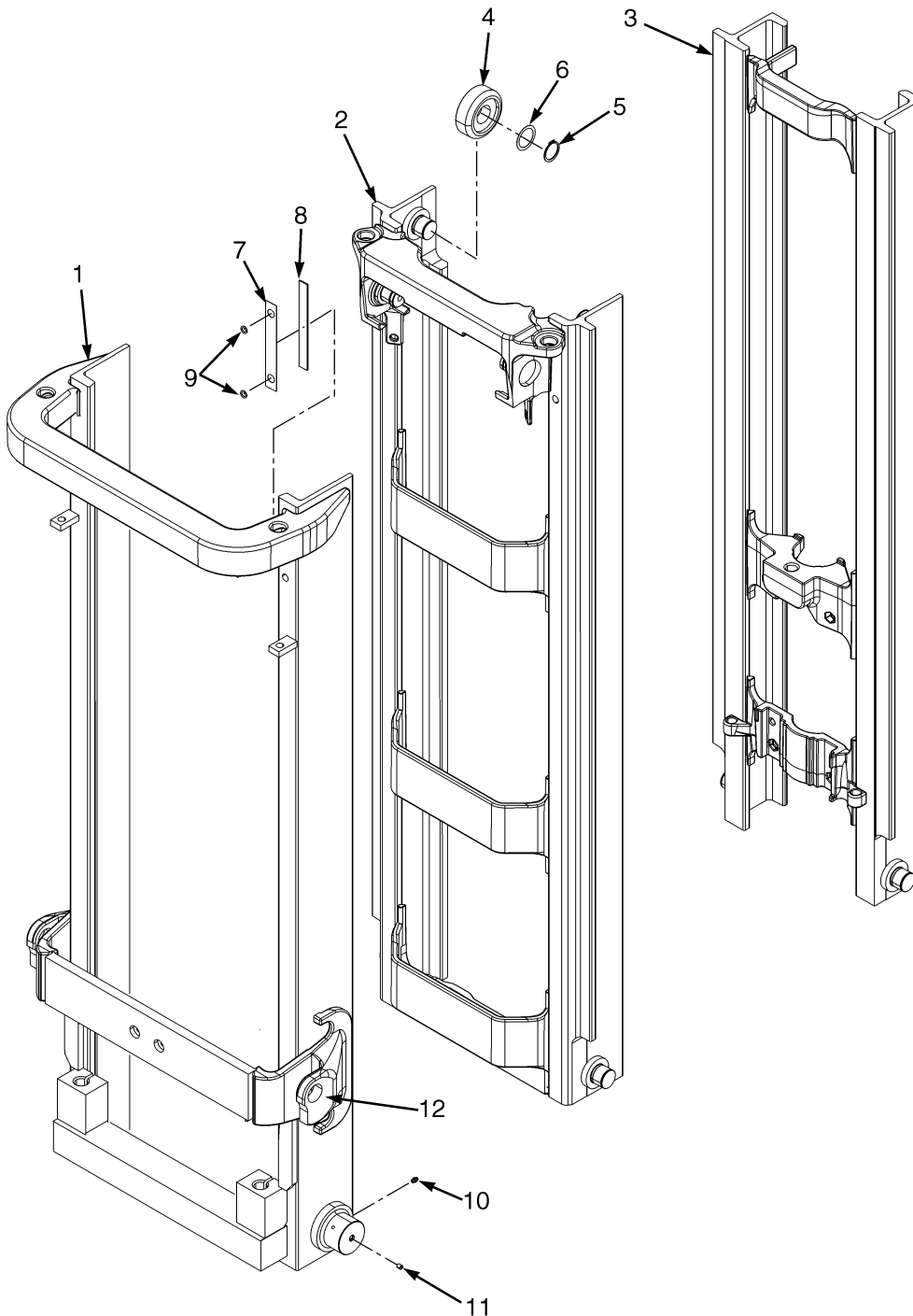
FOOTNOTES:

a Optional

b Refer to Table

MAST ASSEMBLY (FIGURE 8-13)

THREE STAGE FULL FREE LIFT - C662 — INNER, INTERMEDIATE AND OUTER (S/N C662B02350H →)



BP170361

MAST ASSEMBLY

THREE STAGE FULL FREE LIFT - C662 – INNER, INTERMEDIATE AND OUTER (S/N C662B02350H →)

C662

ITEM	DESCRIPTION 1 2 3 4	LIFT HEIGHT TO BOTTOM OF FORKS				
		4260 mm (167.7 in.)	4560 mm (179.5 in.)	4860 mm (191.3 in.)	5160 mm (203.1 in.)	5460 mm (215.0 in.)
		C662 4260	C662 4560	C662 4860	C662 5160	C662 5460
	Mast Assy	2092008	2092010	2092012	2092014	2092016
1	Outer Mast	1620406	1620408	1620410	1620413	1620415
2	Intermediate Mast	1353005	1353007	1353009	1353011	1353013
3	Inner Mast	1481805	1481807	1481809	1481811	1481813

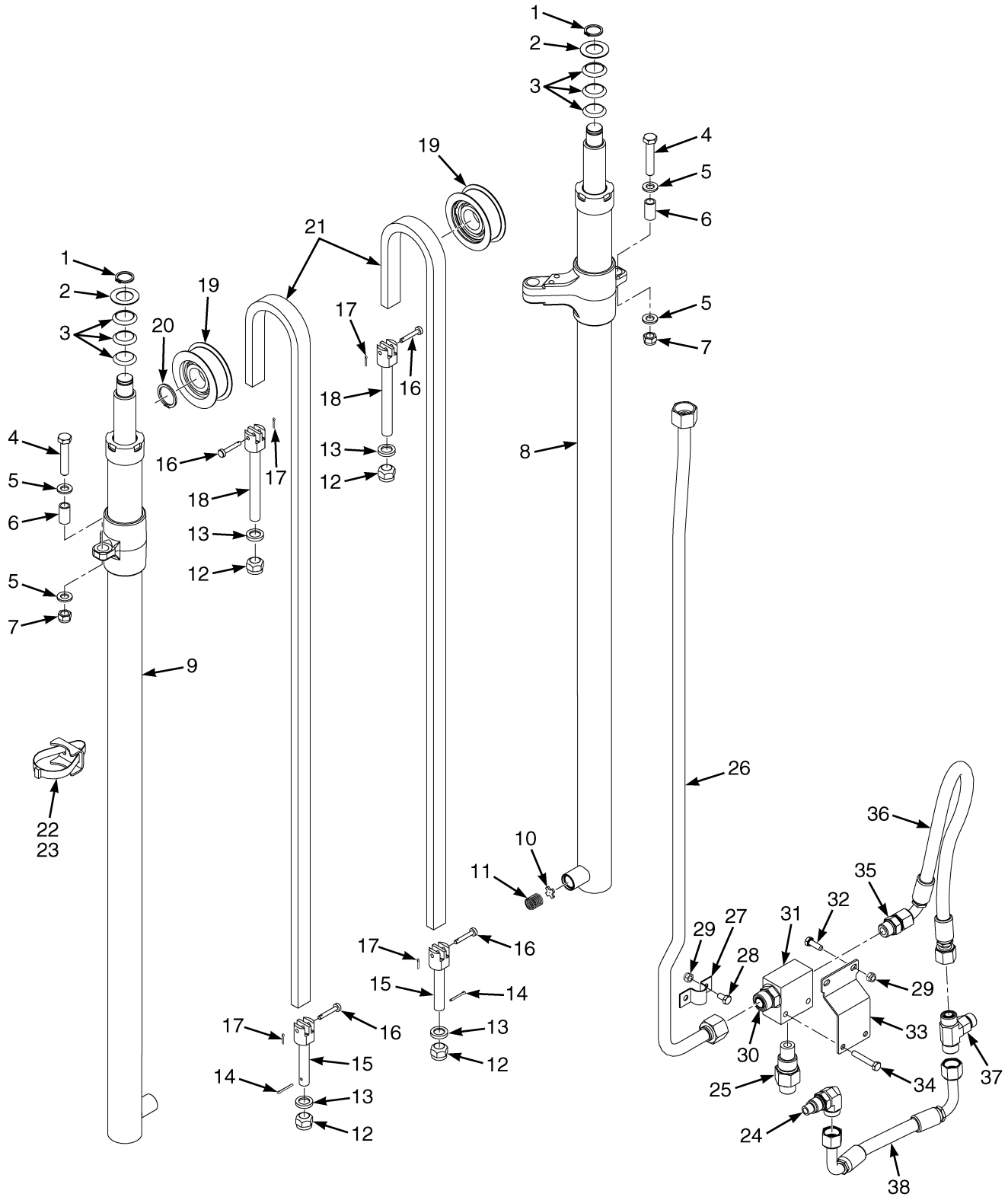
ITEM	PART NO.	DESCRIPTION	QTY
	b	Mast Assy	1
1	b	Outer Mast	1
2	b	Intermediate Mast	1
3	b	Inner Mast	1
4	1333399	Load Roller ("B") (92.18 mm/91.92 mm)	8
4	a 1395169	Load Roller ("A") (91.80 mm/91.54 mm)	8
5	1374797	Snap Ring	8
5	a 58901	Snap Ring	8
6	129387	Shim (0.508 mm)	AR
7	a 131716	Shim (0.508 mm)	AR
7	131715	Shim (0.178 mm)	8
8	215212	Wear Strip	4
9	104506	O-Ring	8
10	16041	Grease Fitting	2
11	15961	Fitting	2
12	1348185	Bushing	2

FOOTNOTES:

a Optional

b Refer to Table

MAIN LIFT ASSEMBLY (FIGURE 8-14) THREE STAGE FULL FREE LIFT - C662



BP170520

**MAIN LIFT ASSEMBLY
THREE STAGE FULL FREE LIFT - C662**

C662

ITEM	DESCRIPTION 1 2 3 4	LIFT HEIGHT TO BOTTOM OF FORKS				
		4260 mm (167.7 in.)	4560 mm (179.5 in.)	4860 mm (191.3 in.)	5160 mm (203.1 in.)	5460 mm (215.0 in.)
		C662 4260	C662 4560	C662 4860	C662 5160	C662 5460
	Mast Assy	2092008	2092010	2092012	2092014	2092016
21	Chain	88436	180057	135634	986599	177352
26	Tube Assy	2111178	2111179	2111179	2111179	2111179

ITEM	PART NO.	DESCRIPTION	QTY
	b	Mast Assy	1
1	131358	Snap Ring	2
2	1333382	Washer (1.500 mm)	2
3	1354915	Washer (0.254 mm)	AR
3	1354916	Washer (0.762 mm)	AR
3	1354917	Washer (1.524 mm)	AR
4	1581829	Capscrew	2
5	1581852	Washer	4
6	323090	Spacer	2
7	1581849	Nut	2
8	Cylinder Assembly (LH) (☞ Figure 8-16).....	1
9	Cylinder Assembly (RH) (☞ Figure 8-16).....	1
10	323160	Washer	1
11	120938	Spring	1
12	161003	Nut	4
13	297649	Ring	4
14	15223	Cotter Pin	2
15	1365140	Chain Anchor	2
16	1514866	Pin	4
17	15211	Cotter Pin	4
18	1369357	Chain Anchor	2
19	1379685	Chain Sheave	2
20	304526	Snap Ring	2
21	b	Chain	2
22	1617658	Clamp	2
23	4014208	Clamp	2
24	1481344	Fitting	1
25	1481348	Lowering Control Valve	1
25	16982	O-Ring	1
25	252729	O-Ring	1
26	b	Tube Assy	1
27	4014208	Clamp	2
28	1581580	Capscrew	3
29	1581566	Nut	7
30	1473888	Fitting	1
31	1621042	Housing	1
32	1581581	Capscrew	3

MAIN LIFT ASSEMBLY THREE STAGE FULL FREE LIFT - C662

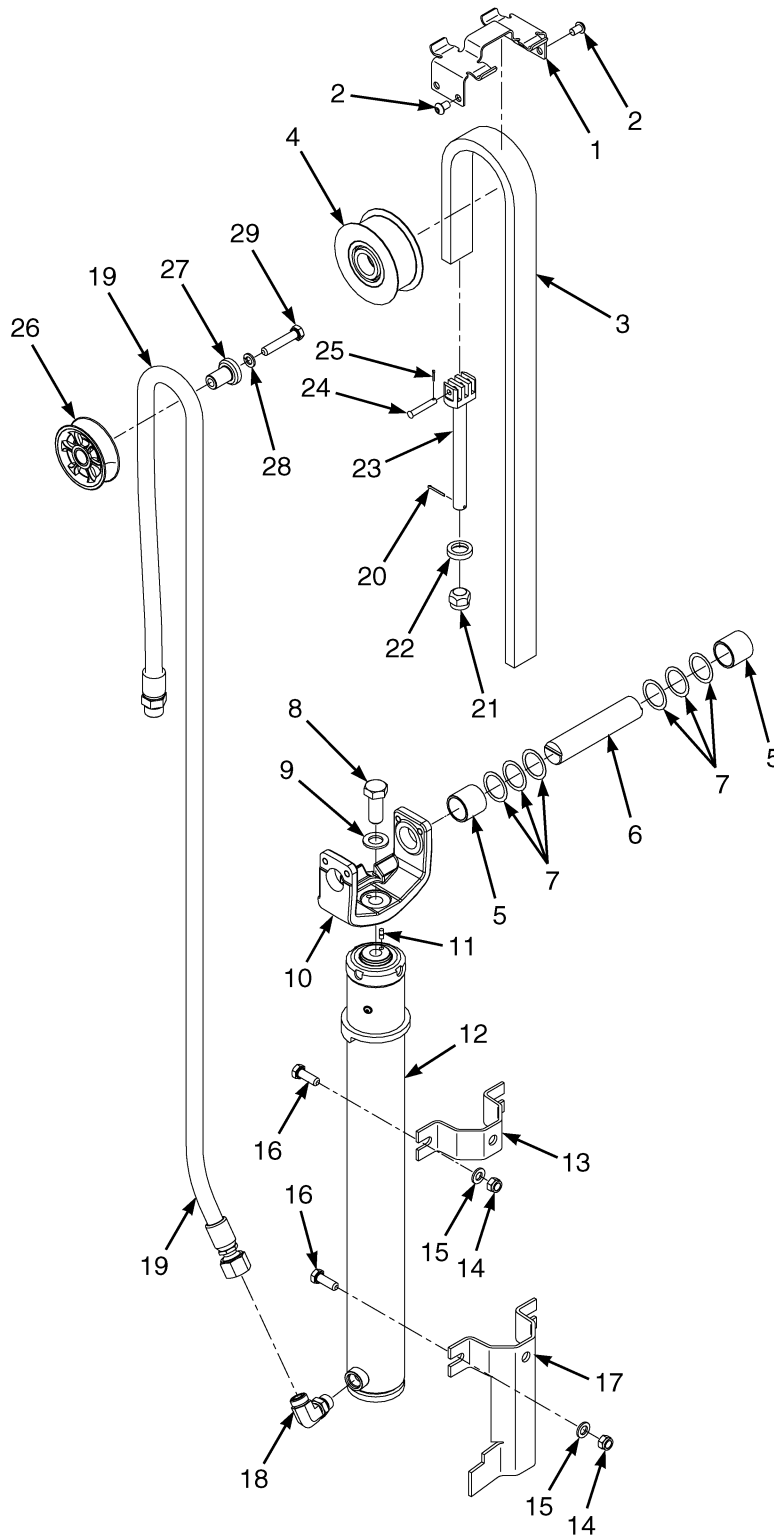
ITEM	PART NO.	DESCRIPTION	QTY
33	1621044	Bracket	1
34	1581583	Capscrew	2
35	1486749	Fitting	1
36	4607945	Hose Assy	1
37	1532650	Fitting	1
38	2101417	Hose Assy	1
	a 153069	Clamp	1

FOOTNOTES:

a Not Illustrated

b Refer to Table

FREE LIFT ASSEMBLY (FIGURE 8-15) THREE STAGE FULL FREE LIFT - C662



BP170477

**FREE LIFT ASSEMBLY
THREE STAGE FULL FREE LIFT - C662**

C662

ITEM	DESCRIPTION 1 2 3 4	LIFT HEIGHT TO BOTTOM OF FORKS				
		4260 mm (167.7 in.)	4560 mm (179.5 in.)	4860 mm (191.3 in.)	5160 mm (203.1 in.)	5460 mm (215.0 in.)
		C662 4260	C662 4560	C662 4860	C662 5160	C662 5460
	Mast Assy	2092008	2092010	2092012	2092014	2092016
3	Chain	1550124	1550126	1550128	1550131	1550134
19	Hose Assy	2085045	2103183	2085043	2085046	2085048

ITEM	PART NO.	DESCRIPTION	QTY
	a	Mast Assy	1
1	1621161	Bracket	1
2	1597442	Capscrew	4
3	a	Chain	1
4	1481054	Chain Sheave	1
5	1621261	Spacer	2
6	1621260	Pin	1
7	129387	Shim (0.508 mm)	4
8	1596406	Capscrew	1
9	1626490	Washer	1
10	1621259	Crosshead	1
11	310549	Pin	1
12	Cylinder Assembly (☞ Figure 8-17).....	1
13	1489972	Bracket	1
14	1581849	Nut	4
15	1581852	Washer	2
16	1596404	Capscrew	4
17	1573677	Guard	1
18	1481346	Valve	1
18	16485	O-Ring	1
18	252729	O-Ring	1
19	a	Hose Assy	1
20	15223	Cotter Pin	1
21	182377	Nut	1
22	182376	Ring	1
23	1605676	Chain Anchor	1
24	1340687	Pin	1
25	15211	Cotter Pin	1
26	1343989	Hose Sheave	1
27	1360547	Stubshaft	1
28	1581564	Lockwasher	1
29	1581829	Capscrew	1

FOOTNOTES:

a Refer to Table

**MAIN LIFT CYLINDER ASSEMBLY
THREE STAGE FULL FREE LIFT - C662**

LEFT HAND

ITEM	DESCRIPTION 1 2 3 4	LIFT HEIGHT TO BOTTOM OF FORKS				
		4260 mm (167.7 in.)	4560 mm (179.5 in.)	4860 mm (191.3 in.)	5160 mm (203.1 in.)	5460 mm (215.0 in.)
		Mast Group Number	C662 4260	C662 4560	C662 4860	C662 5160
	Cylinder Group Number	8601705	8601707	8601709	8601711	8601713
	Cylinder Assy	1362696	1362708	1362721	1362733	1362745
1	Tube Wldmt- Cylinder	1362697	1362709	1362722	1362734	1366057
2	Cylinder Rod	1362698	1362710	1362723	1362735	1362746
3	Spacer	----	----	----	1355610	1355610

RIGHT HAND

ITEM	DESCRIPTION 1 2 3 4	LIFT HEIGHT TO BOTTOM OF FORKS				
		4260 mm (167.7 in.)	4560 mm (179.5 in.)	4860 mm (191.3 in.)	5160 mm (203.1 in.)	5460 mm (215.0 in.)
		Mast Group Number	C662 4260	C662 4560	C662 4860	C662 5160
	Cylinder Group Number	8601755	8601757	8601759	8601761	8601763
	Cylinder Assy	1362700	1362712	1362725	1362737	1362749
1	Tube Wldmt- Cylinder	1362707	1362720	1362732	1362744	1362756
2	Cylinder Rod	1362698	1362710	1362723	1362735	1362746
3	Spacer	----	----	----	1355610	1355610

ITEM	PART NO.	DESCRIPTION	QTY
	b	Cylinder Assy	1
1	b	Tube Wldmt-Cylinder	1
2	b	Cylinder Rod	1
3	b	Spacer	1
4	1371653	Gland	1
5	257913	Check Valve	1
6	190580	O-Ring	1
7	297531	Washer	1
8	322902	Wear Ring	1
9	187388	Snap Ring	1
10	330692	Rod Seal	1
11	322824	Back-Up Ring	2
12	1319668	Rod Wiper	1
13	55407	O-Ring	1
14	1362871	Wear Ring	1

**MAIN LIFT CYLINDER ASSEMBLY
THREE STAGE FULL FREE LIFT - C662**

ITEM	PART NO.	DESCRIPTION	QTY
15	1381095	Rod Seal	1
16	1362875	Piston Ring	1
	a 186061	Lubricant	1
	1360139	Kit-Seal	1

FOOTNOTES:**a** Not Illustrated**b** Refer to Table

**FREE LIFT CYLINDER ASSEMBLY
THREE STAGE FULL FREE LIFT - C662**

C662

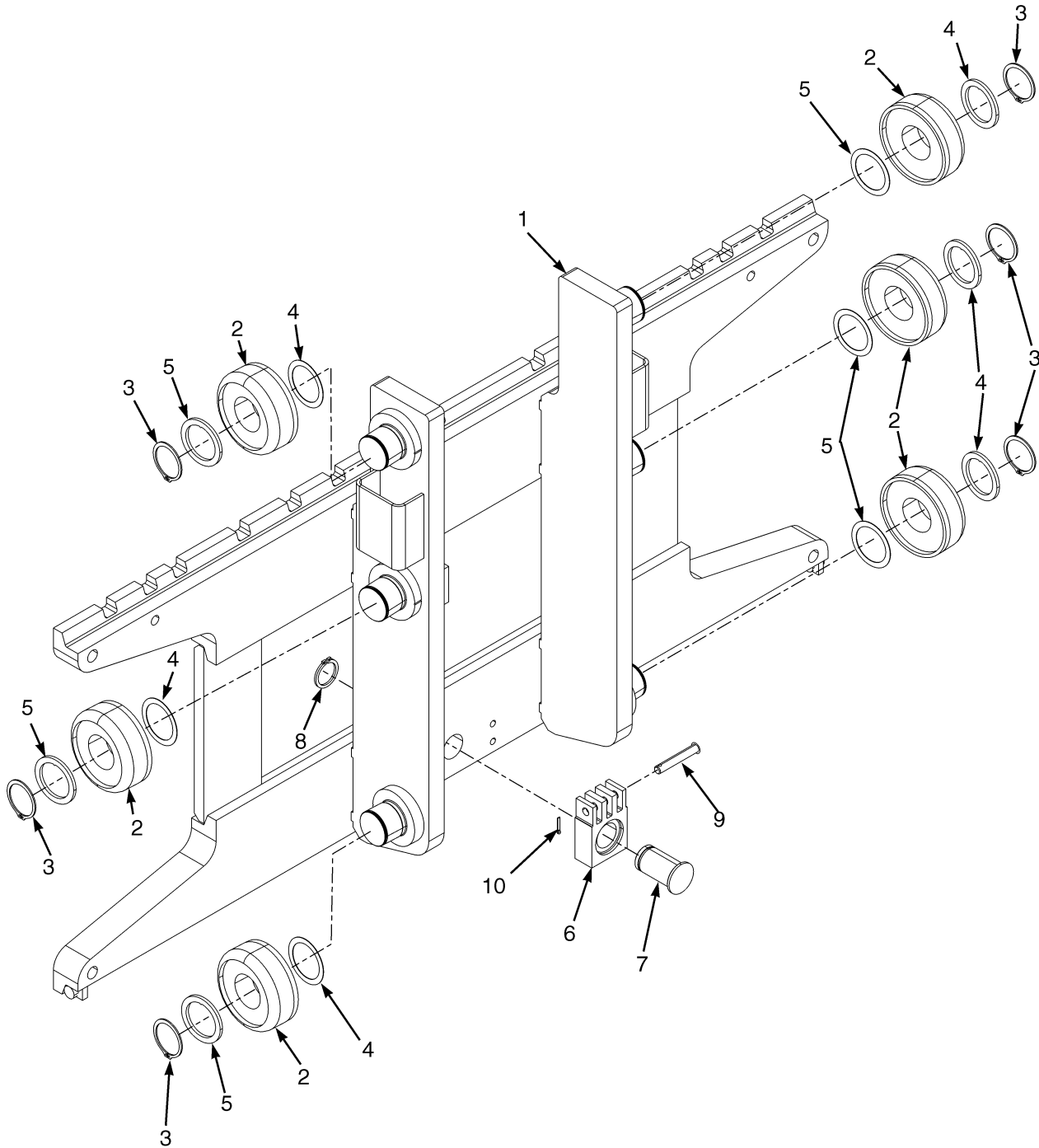
ITEM	DESCRIPTION 1 2 3 4	LIFT HEIGHT TO BOTTOM OF FORKS				
		4260 mm (167.7 in.)	4560 mm (179.5 in.)	4860 mm (191.3 in.)	5160 mm (203.1 in.)	5460 mm (215.0 in.)
		Mast Group Number	C662 4260	C662 4560	C662 4860	C662 5160
	Cylinder Group Number	8537305	8537307	8537309	8537312	8537314
	Cylinder Assy	2102338	2102340	2102342	2102345	2102347
1	Tube Wldmt- Cylinder	1362921	1362923	1362925	1362928	1362930
2	Cylinder Rod	2068156	2068158	2068160	2068163	2068165

ITEM	PART NO.	DESCRIPTION	QTY
	a	Cylinder Assy	1
1	a	Tube Wldmt-Cylinder	1
2	a	Cylinder Rod	1
3	190887	Sealing Ring	1
4	1362880	Gland	1
5	1361302	Screw	1
6	257913	Check Valve	1
6	297538	Check Valve (Alternate Part)	1
7	297531	Washer	1
8	187388	Snap Ring	1
9	2013099	Rod Wiper	1
9	1463105	Rod Wiper (Alternate Part)	1
10	1358970	Rod Seal	1
10	1622946	Rod Seal (Alternate Part)	1
11	615135	Back-Up Ring	1
12	55146	O-Ring	1
13	1362881	Wear Ring	1
14	201829	Rod Seal	1
15	638250	Back-Up Ring	1
	1360141	Kit-Seal	1

FOOTNOTES:

a Refer to Table

CARRIAGE ASSEMBLY (FIGURE 8-18) THREE STAGE FULL FREE LIFT - C662 — STANDARD



BP170385

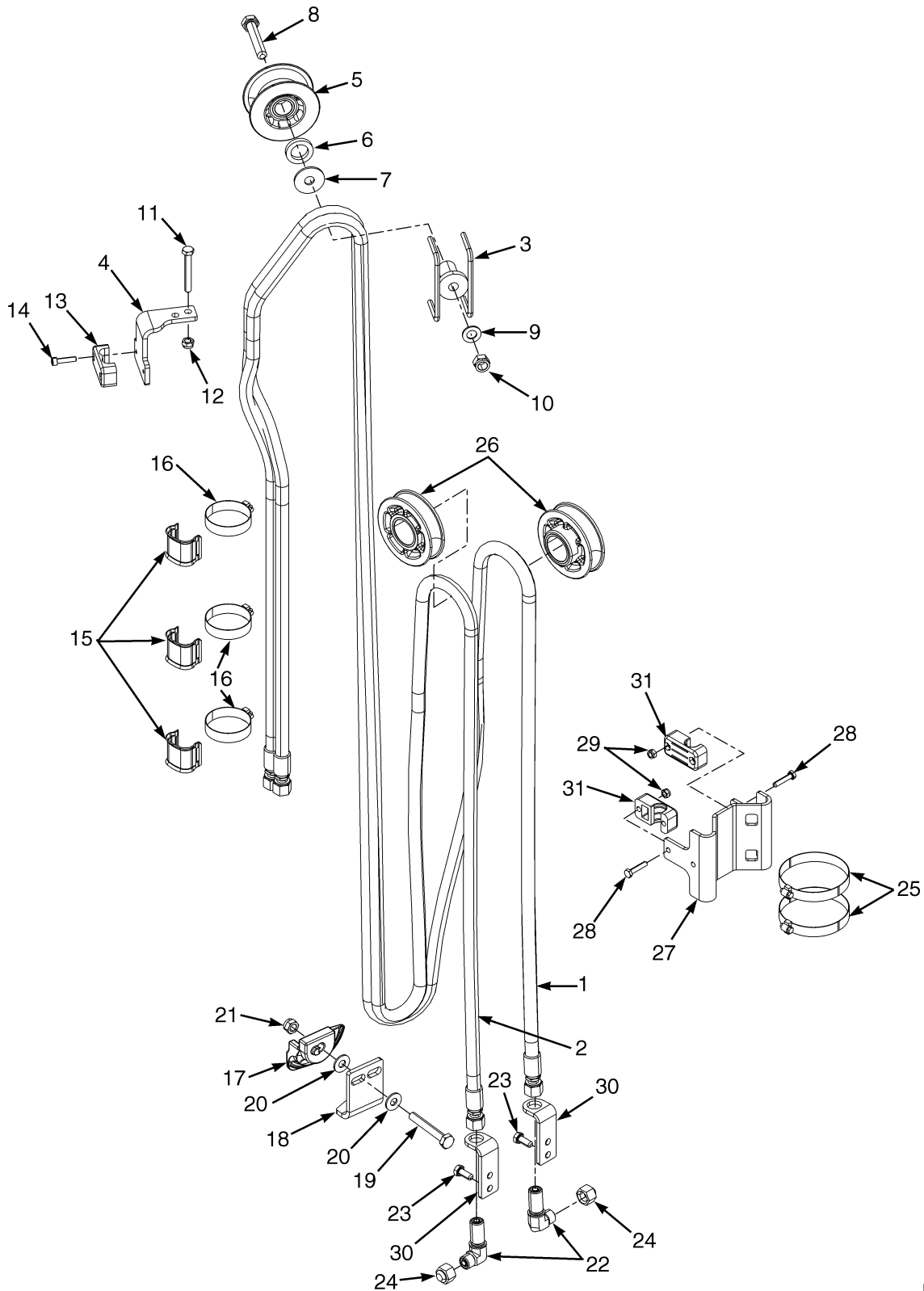
CARRIAGE ASSEMBLY
THREE STAGE FULL FREE LIFT - C662 – STANDARD

ITEM	PART NO.	DESCRIPTION	QTY
	2108019	Carriage Assembly	1
1	1621058	Carriage	1
2	1363272	Load Roller (82.18 mm)	6
3	58901	Snap Ring	6
3	a 1374797	Snap Ring	6
4	129387	Shim (0.508 mm)	AR
5	366115	Spacer	2
6	1481258	Chain Anchor	1
7	185597	Pin	1
8	131358	Snap Ring	2
9	1340687	Pin	1
10	15211	Cotter Pin	1

FOOTNOTES:

a Optional

HEADER HOSE ASSEMBLY (FIGURE 8-19) THREE STAGE FULL FREE LIFT - C662 — 3 RD FUNCTION HOSES (→ S/N C662B02349H) (→ S/N A935B01868H)



BP160030

HEADER HOSE ASSEMBLY
THREE STAGE FULL FREE LIFT - C662 – 3 RD FUNCTION HOSES (→ S/N C662B02349H)
(→ S/N A935B01868H)

C662

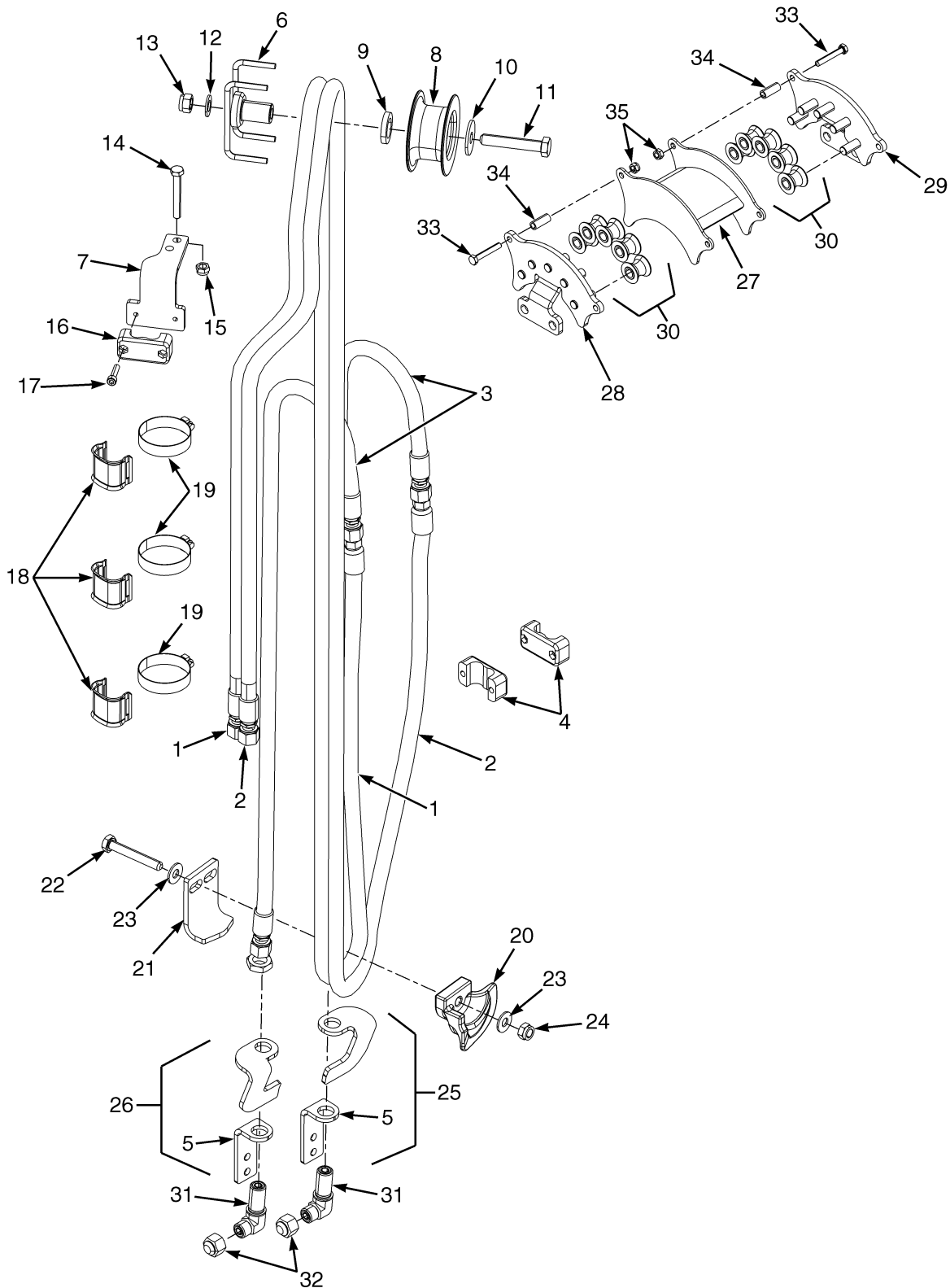
ITEM	DESCRIPTION 1 2 3 4	LIFT HEIGHT TO BOTTOM OF FORKS				
		4260 mm (167.7 in.)	4560 mm (179.5 in.)	4860 mm (191.3 in.)	5160 mm (203.1 in.)	5460 mm (215.0 in.)
		Mast Group Number C662 4260	C662 4560	C662 4860	C662 5160	C662 5460
1	Hose Assy	2097567	2097569	2097572	2097574	2097576
2	Hose Assy	2097499	2097502	2097504	2097506	2097516

ITEM	PART NO.	DESCRIPTION	QTY
1	a	Hose Assy	1
2	a	Hose Assy	1
3	1360548	Stubshaft	1
4	1631575	Bracket	1
5	1494017	Hose Sheave	1
6	1360549	Spacer	1
7	1345190	Washer	1
8	1581830	Capscrew	1
9	1581559	Washer	1
10	1581849	Nut	1
11	1581836	Capscrew	2
12	1581566	Nut	2
13	1360386	Clamp (Double Hose)	1
14	1581741	Capscrew	2
15	1477996	Hose Clamp	3
16	1617657	Clamp	3
17	1348247	Hose Guide	1
18	1363253	Bracket	1
19	1597565	Capscrew	1
20	1581558	Washer	2
21	1581567	Nut	1
22	1528579	Fitting	2
22	265787	O-Ring	2
23	1581580	Capscrew	4
24	1529015	Cap	2
25	1360507	Clamp	2
26	1631395	Hose Sheave	2
27	1646980	Bracket	1
28	1581834	Capscrew	4
29	1581565	Nut	4
30	1621637	Bracket	2
31	1631196	Clamp (Single Hose)	2

FOOTNOTES:

a Refer to Table

HEADER HOSE ASSEMBLY (FIGURE 8-20) THREE STAGE FULL FREE LIFT - C662 — 4 TH FUNCTION HOSES (→ S/N A935B01868H) (→ S/N C662B02349H)



HEADER HOSE ASSEMBLY
THREE STAGE FULL FREE LIFT - C662 – 4 TH FUNCTION HOSES (→ S/N A935B01868H)
(→ S/N C662B02349H)

C662

ITEM	DESCRIPTION 1 2 3 4	LIFT HEIGHT TO BOTTOM OF FORKS				
		4260 mm (167.7 in.)	4560 mm (179.5 in.)	4860 mm (191.3 in.)	5160 mm (203.1 in.)	5460 mm (215.0 in.)
		C662 4260	C662 4560	C662 4860	C662 5160	C662 5460
1	Hose Assy	2103552	2103554	2103556	2103558	2103560
2	Hose Assy	2103516	2103518	2103520	2103522	2103524
3	Hose Assy	2111138	2111139	2111139	2111140	2111140

ITEM	PART NO.	DESCRIPTION	QTY
1	a	Hose Assy	1
2	a	Hose Assy	1
3	a	Hose Assy	2
4	1631196	Clamp (Single Hose)	2
5	1621637	Bracket	2
6	1360548	Stubshaft	1
7	1631574	Bracket	1
8	1494017	Hose Sheave	1
9	1360549	Spacer	1
10	1345190	Washer	1
11	1581830	Capscrew	1
12	1581559	Washer	1
13	1581849	Nut	1
14	1581836	Capscrew	2
15	1581566	Nut	2
16	1360386	Clamp (Double Hose)	3
17	1581741	Capscrew	2
18	1477996	Hose Clamp	3
18	1477996	Hose Clamp	2
19	1617657	Clamp	3
19	1617657	Clamp	2
20	1348246	Hose Guide	1
21	1363253	Bracket	1
22	1597565	Capscrew	1
23	1581558	Washer	2
24	1581567	Nut	1
25	4621444		
	1621086	Bracket	1
26	4621445		
	1621087	Bracket	1
27	1631228	Bracket Wldmt	1
28	1631377	Bracket Wldmt	1
29	1631378	Bracket Wldmt	1
30	1676097	Hose Sheave (Tangent Roller)	10
31	1528579	Fitting	2
31	265787	O-Ring	2

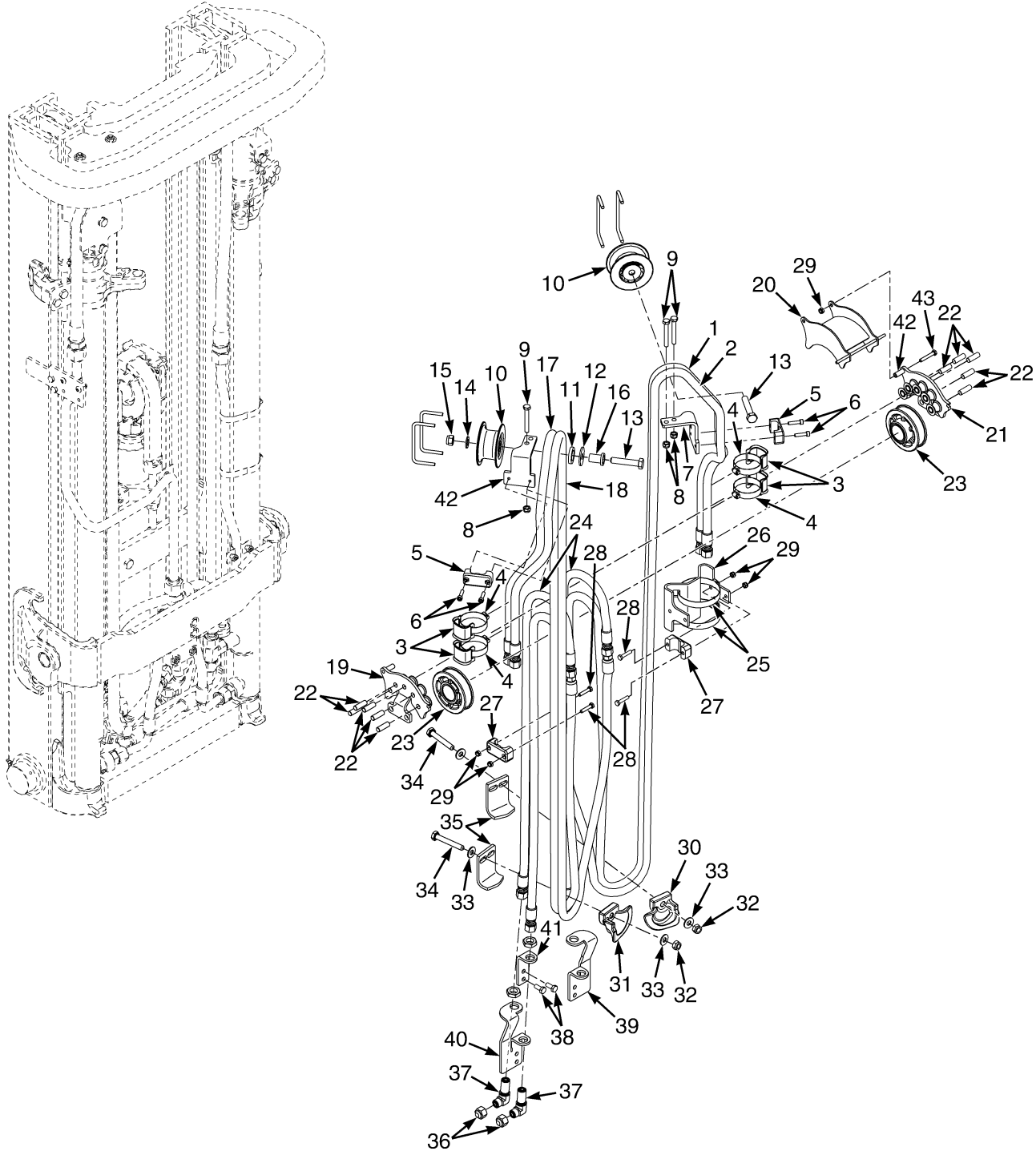
HEADER HOSE ASSEMBLY
THREE STAGE FULL FREE LIFT - C662 – 4 TH FUNCTION HOSES (→ S/N A935B01868H)
(→ S/N C662B02349H)

ITEM	PART NO.	DESCRIPTION	QTY
32	1529015	Cap	2
33	1581578	Capscrew	4
34	1631292	Spacer	4
35	1581565	Nut	4

FOOTNOTES:

- a Refer to Table

HEADER HOSE ASSEMBLY (FIGURE 8-21) THREE STAGE FULL FREE-LIFT — C662 (S/N A935B01869H →) (S/N C662B02350H →)



BP170441

HEADER HOSE ASSEMBLY
THREE STAGE FULL FREE-LIFT – C662 (S/N A935B01869H →) (S/N C662B02350H →)

C662

ITEM	DESCRIPTION 1 2 3 4	LIFT HEIGHT TO BOTTOM OF FORKS				
		4260 mm (167.7 in.)	4560 mm (179.5 in.)	4860 mm (191.3 in.)	5160 mm (203.1 in.)	5460 mm (215.0 in.)
		C662 4260	C662 4560	C662 4860	C662 5160	C662 5460
1	Hose Assy	2097565	2097567	2097569	4600458	2097574
2	Hose Assy	2097497	2097499	2097502	4600450	2097506
17	Hose Assy	4600468	4600498	2103518	4600788	2103522
18	Hose Assy	4600497	4600469	2103554	4600471	2103558
24	Hose Assy	2111138	2111139	2111139	2111140	2111140

KEY:

A: 3 Function

B: 4 Function

ITEM	PART NO.	DESCRIPTION	QTY	
			A	B
1	b	Hose Assy	1	1
2	b	Hose Assy	1	1
3	1477996	Hose Clamp	2	4
4	1481229	Clamp	2	4
5	1360386	Clamp (Double Hose)	1	3
6	1581741	Capscrew	2	4
7	1631575	Bracket	1	1
8	1581566	Nut	2	4
9	1581836	Capscrew	2	4
10	1494017	Hose Sheave	1	2
11	1360549	Spacer	1	2
12	1345190	Washer	1	2
13	1581830	Capscrew	1	2
14	1581559	Washer	1	2
15	1581849	Nut	1	2
16	1360548	Stubshaft	1	2
17	b	Hose Assy	1
18	b	Hose Assy	1
19	1631377	Bracket Wldmt	1
19	4027776	Bracket Wldmt (RH) (Alternate Part)	1
20	1631228	Bracket Wldmt	1
20	4027784	Bracket Wldmt (Roller Guard) (Alternate Part)	1
21	1631378	Bracket Wldmt	1
21	4027759	Bracket Wldmt (LH) (Alternate Part)	1
22	1676097	Hose Sheave (Target Roller)	10
23	1631395	Hose Sheave	2	2
24	b	Hose Assy	2
25	1360507	Clamp	2	2
26	1646980	Bracket	1	1
27	1631196	Clamp (Single Hose)	2	2

HEADER HOSE ASSEMBLY

THREE STAGE FULL FREE-LIFT – C662 (S/N A935B01869H →) (S/N C662B02350H →)

KEY:

A: 3 Function

B: 4 Function

ITEM	PART NO.	DESCRIPTION	QTY	
			A	B
28	1581834	Capscrew	4	4
29	1581565	Nut	4	8
30	1348247	Hose Guide	1	..
31	1348246	Hose Guide	1
32	1581567	Nut	1	2
33	1581558	Washer	2	4
34	1597565	Capscrew	1	2
35	1363253	Bracket	1	2
36	1529015	Cap	2	4
37	1528579	Fitting	2	4
37	265787	O-Ring	2	2
38	1581580	Capscrew	4	4
39	1621144			
	1621086	Bracket	1
40	1621145			
	1621087	Bracket	1
41	1621637	Bracket	2	..
42	1631574	Bracket	1
43	1581578	Capscrew	4
44	1631292	Spacer	4
	a 1477996	Hose Clamp	1	2
	a 1617657	Clamp	1	2

FOOTNOTES:

a Not Illustrated

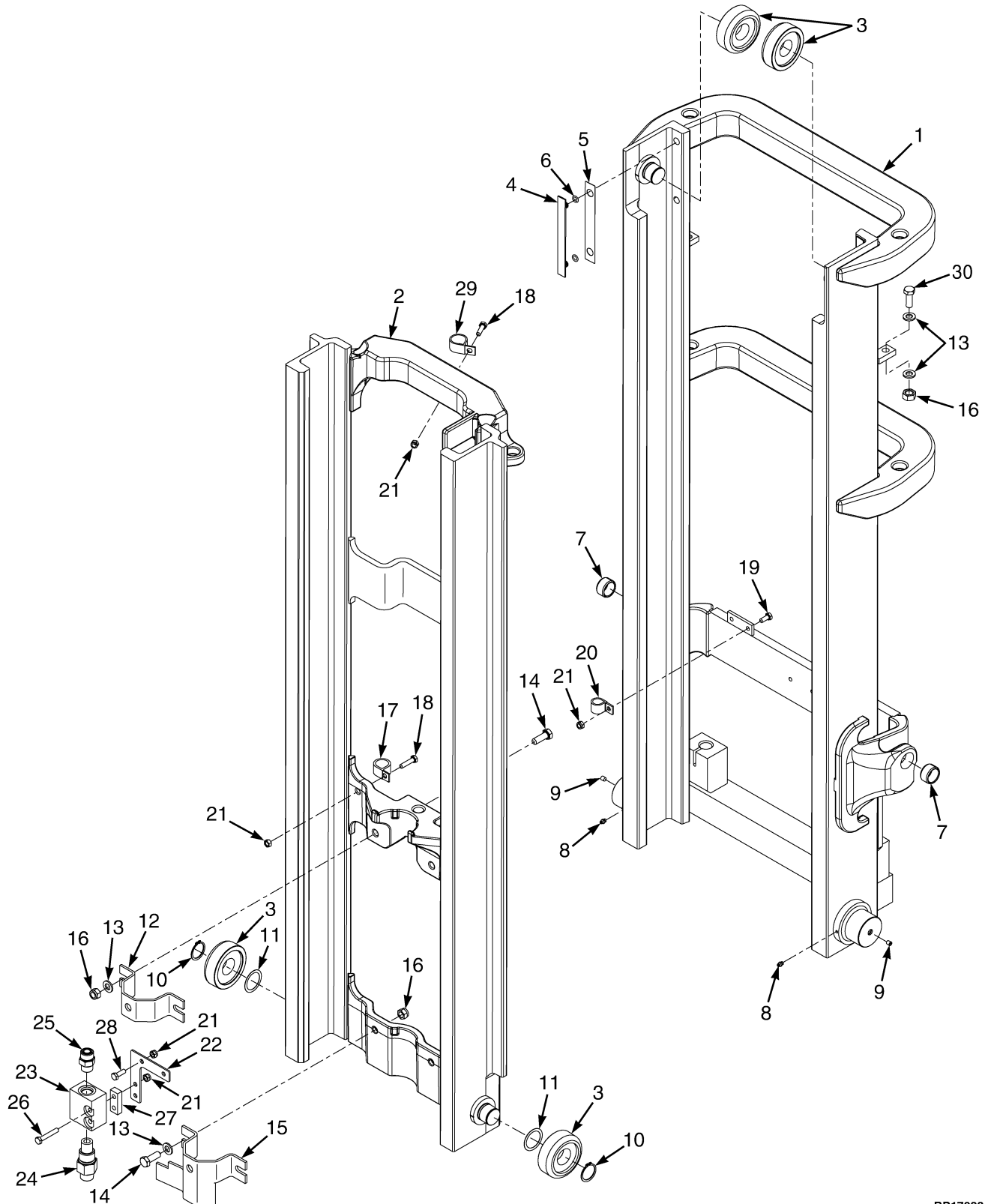
b Refer to Table

SECTION 9

MAST-TWO STAGE FULL FREE-LIFT

DESCRIPTION	PAGE
CARRIAGE ASSEMBLY	
TWO STAGE FULL FREE- LIFT - STANDARD	9-16
TWO STAGE FULL FREE- LIFT-STANDARD - A272	9-38
FREE LIFT ASSEMBLY	
TWO STAGE FULL FREE LIFT - C663	9-12
FREE LIFT CYLINDER ASSEMBLY	
TWO STAGE FULL FREE- LIFT - A272	9-36
TWO STAGE FULL FREE LIFT - C663	9-14
FREE-LIFT ASSEMBLY	
TWO STAGE FULL FREE- LIFT - A272	9-34
HEADER HOSE ASSEMBLY	
TWO STAGE FULL FREE- LIFT - A272	9-40
TWO STAGE FULL FREE LIFT - C663 - 3 FUNCTION (→ S/N C663B01671H) (→ S/N A935B01868H)	9-18
TWO STAGE FULL FREE LIFT - C663 - 4TH FUNCTION (→ S/N C663B01671H) (→ S/N A935B01868H)	9-20
TWO-STAGE FULL FREE-LIFT - C663 (S/N A935B01869H →) (S/N C663B01672H →)	9-22
MAIN LIFT ASSEMBLY	
TWO STAGE FULL FREE- LIFT - A272	9-28
TWO STAGE FULL FREE LIFT - C663	9-6
MAIN LIFT CYLINDER LH	
TWO STAGE FULL FREE LIFT - C663	9-8
TWO STAGE FULL FREE LIFT - A272	9-30
MAIN LIFT CYLINDER RH	
TWO STAGE FULL FREE- LIFT - C663	9-10
TWO STAGE FULL FREE- LIFT - A272	9-32
MAST ASSEMBLY	
TWO STAGE FULL FREE LIFT - C663 (→ S/N C663B01671H)	9-2
TWO STAGE FULL FREE LIFT - C663	9-4
TWO STAGE FULL FREE- LIFT - A272	9-26

MAST ASSEMBLY (FIGURE 9-1) TWO STAGE FULL FREE LIFT — C663 (→ S/N C663B01671H)



BP170234

MAST ASSEMBLY
TWO STAGE FULL FREE LIFT – C663 (→ S/N C663B01671H)

C663

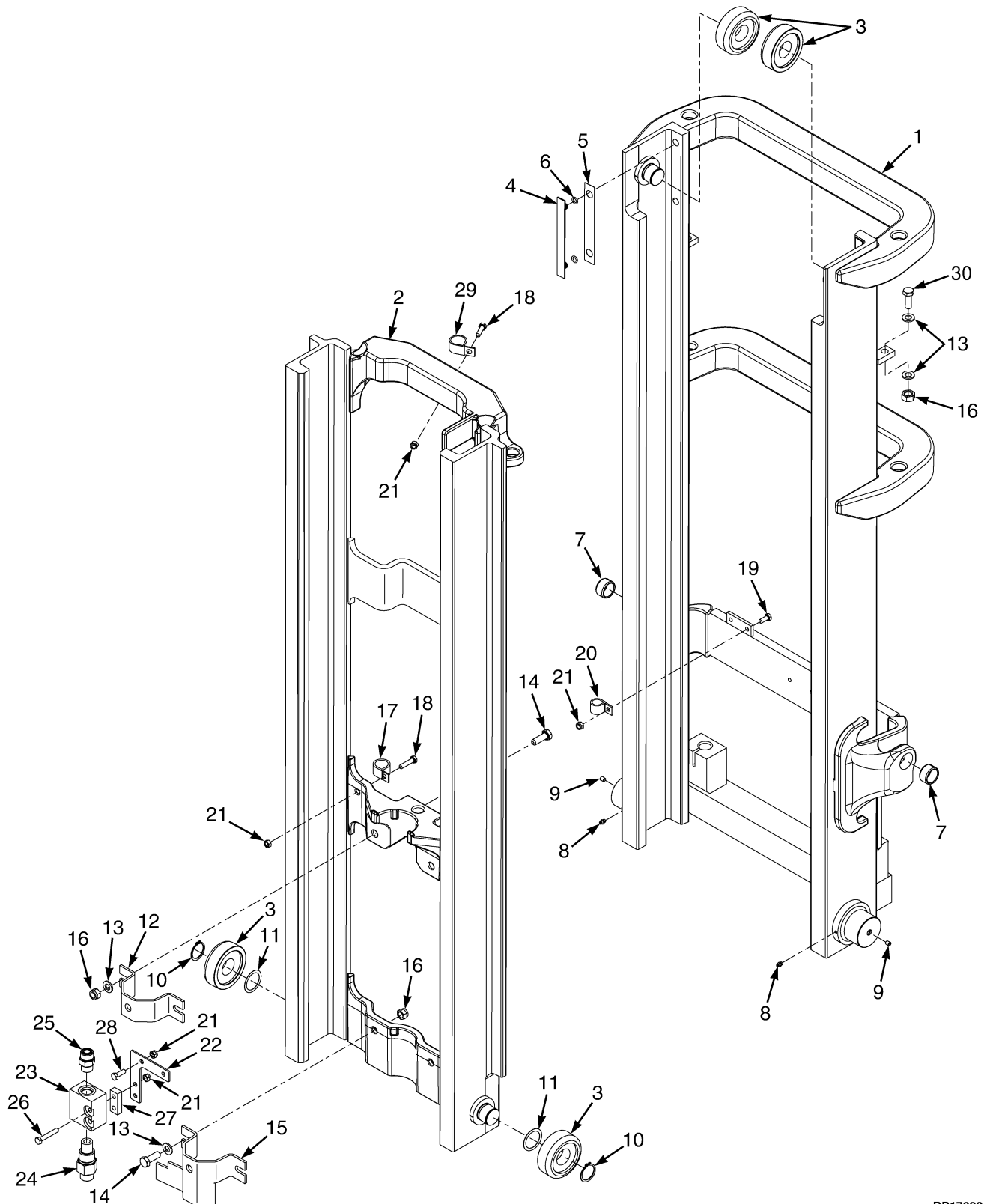
ITEM	DESCRIPTION 1 2 3 4	LIFT HEIGHT TO BOTTOM OF FORKS		
		3178 mm (125.1 in.)	3678 mm (144.8 in.)	4298 mm (169.2 in.)
		Mast Group Number	C663 3178	C663 3678
	Mast Assy	2091886	2091891	2091896
1	Outer Mast	1621409	1621414	1621420
2	Inner Mast	1550078	1550083	1550088

ITEM	PART NO.	DESCRIPTION	QTY
	a	Mast Assy	1
1	a	Outer Mast	1
2	a	Inner Mast	1
3	1333399	Load Roller ("B") (92.18 mm/91.92 mm)	4
4	131716	Shim (0.508 mm)	AR
5	215212	Wear Strip	2
6	104506	O-Ring	4
7	1348185	Bushing	2
8	16041	Grease Fitting	2
9	15961	Fitting	2
10	1374797	Snap Ring	4
11	129387	Shim (0.508 mm)	AR
12	1489972	Bracket	1
13	1581852	Washer	4
14	1596404	Capscrew	1
15	1573676	Bracket	1
16	1581849	Nut	4
17	178119	Clamp	1
18	1696161	Capscrew	2
19	1581580	Capscrew	1
20	1347202	Clamp	1
21	1581566	Nut	7
22	1621045	Bracket	1
23	1621043	Housing	1
24	1481348	Lowering Control Valve	1
25	1486749	Fitting	1
25	252729	O-Ring	1
25	16485	O-Ring	1
26	1581836	Capscrew	2
27	1621158	Plate	1
28	1581581	Capscrew	2
29	166112	Clamp	1
30	1581829	Capscrew	2

FOOTNOTES:

a Refer to Table

MAST ASSEMBLY (FIGURE 9-2) TWO STAGE FULL FREE LIFT — C663



BP170234

**MAST ASSEMBLY
TWO STAGE FULL FREE LIFT – C663**

C663

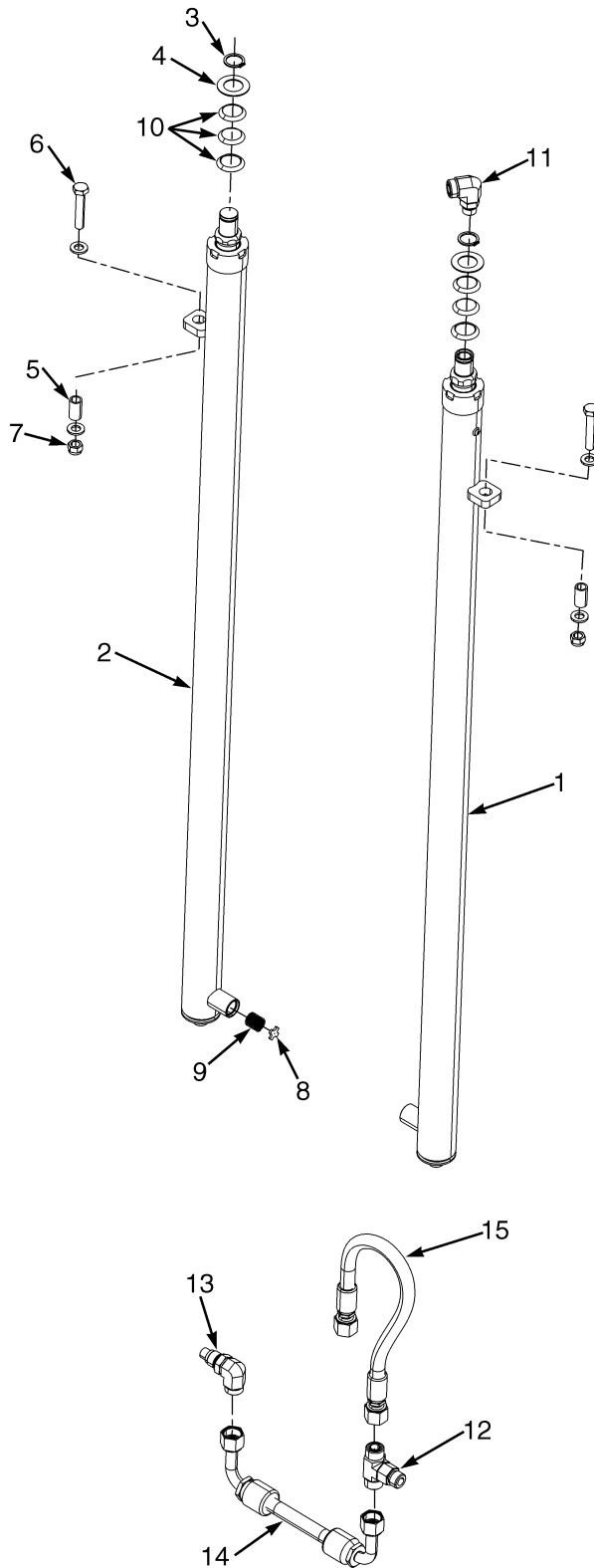
ITEM	DESCRIPTION 1 2 3 4	LIFT HEIGHT TO BOTTOM OF FORKS		
		3178 mm (125.1 in.)	3678 mm (144.8 in.)	4298 mm (169.2 in.)
		Mast Group Number	C663 3178	C663 3678
	Mast Assy	2091886	2091891	2091896
1	Outer Mast	1620409	1620414	1620420
2	Inner Mast	1550078	1550083	1550088

ITEM	PART NO.	DESCRIPTION	QTY
	a	Mast Assy	1
1	a	Outer Mast	1
2	a	Inner Mast	1
3	1333399	Load Roller ("B") (92.18 mm/91.92 mm)	4
4	131716	Shim (0.508 mm)	AR
5	215212	Wear Strip	2
6	104506	O-Ring	4
7	1348185	Bushing	2
8	16041	Grease Fitting	2
9	15961	Fitting	2
10	1374797	Snap Ring	4
11	129387	Shim (0.508 mm)	AR
12	1489972	Bracket	1
13	1581852	Washer	4
14	1596404	Capscrew	1
15	1573676	Bracket	1
16	1581849	Nut	4
17	178119	Clamp	1
18	1696161	Capscrew	2
19	1581580	Capscrew	1
20	1347202	Clamp	1
21	1581566	Nut	7
22	1621045	Bracket	1
23	1621043	Housing	1
24	1481348	Lowering Control Valve	1
25	1486749	Fitting	1
25	252729	O-Ring	1
25	16485	O-Ring	1
26	1581836	Capscrew	2
27	1621158	Plate	1
28	1581581	Capscrew	2
29	166112	Clamp	1
30	1581829	Capscrew	2

FOOTNOTES:

a Refer to Table

MAIN LIFT ASSEMBLY (FIGURE 9-3) TWO STAGE FULL FREE LIFT - C663



BP170365

**MAIN LIFT ASSEMBLY
TWO STAGE FULL FREE LIFT - C663**

C663

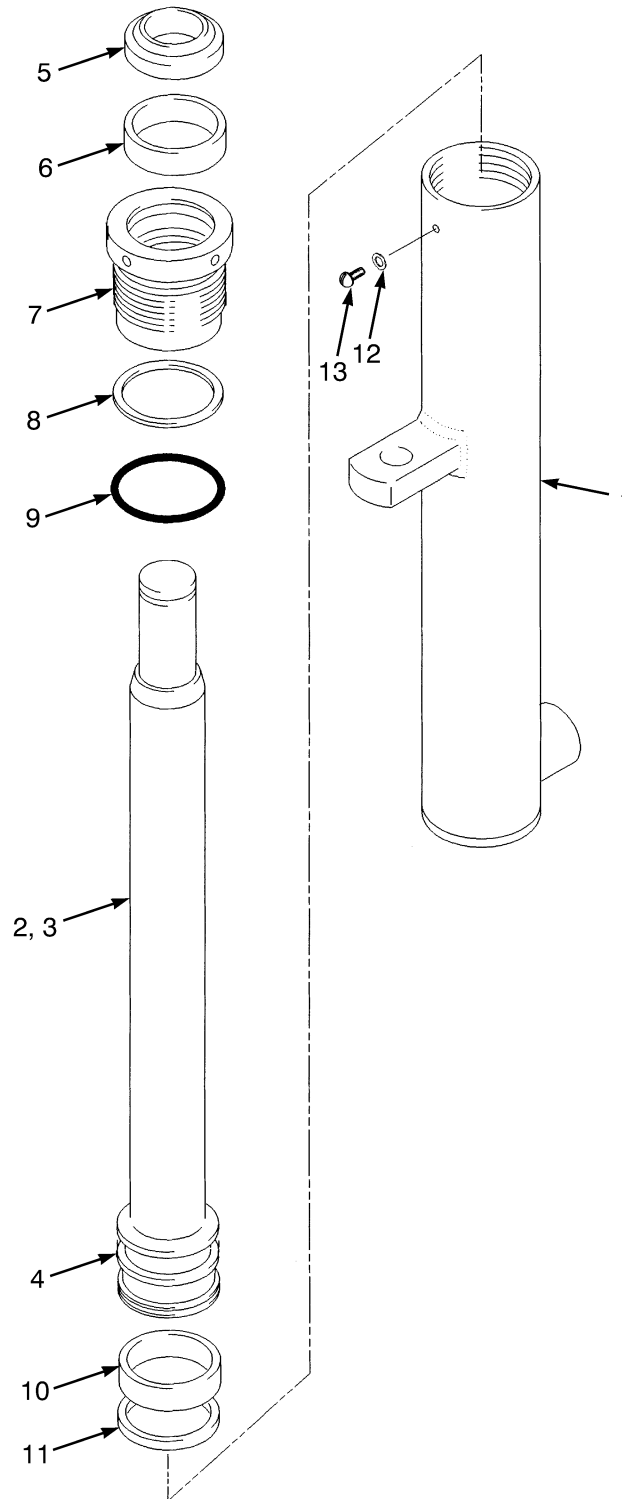
ITEM	DESCRIPTION 1 2 3 4	LIFT HEIGHT TO BOTTOM OF FORKS		
		3178 mm (125.1 in.)	3678 mm (144.8 in.)	4298 mm (169.2 in.)
		Mast Group Number	C663 3178	C663 3678
	Mast Assy	2091886	2091891	2091896

ITEM	PART NO.	DESCRIPTION	QTY
	a	Mast Assy	1
1	Cylinder Assembly (RH) (☞ Figure 9-5)	1
2	Cylinder Assembly (LH) (☞ Figure 9-4)	1
3	131358	Snap Ring	2
4	1333382	Washer (1.500 mm)	2
5	323090	Spacer	2
6	1581829	Capscrew	2
7	1581849	Nut	4
8	323160	Washer	1
9	120938	Spring	1
10	1354915	Washer (0.254 mm)	AR
10	1354916	Washer (0.762 mm)	AR
10	1354917	Washer (1.524 mm)	AR
11	1481345	Fitting	1
12	1532650	Fitting	1
13	1481344	Fitting	1
14	2101417	Hose Assy	1
15	2102880	Hose Assy	1

FOOTNOTES:

a Refer to Table

MAIN LIFT CYLINDER LH (FIGURE 9-4) TWO STAGE FULL FREE LIFT — C663



BP170396

**MAIN LIFT CYLINDER LH
TWO STAGE FULL FREE LIFT – C663**

C663

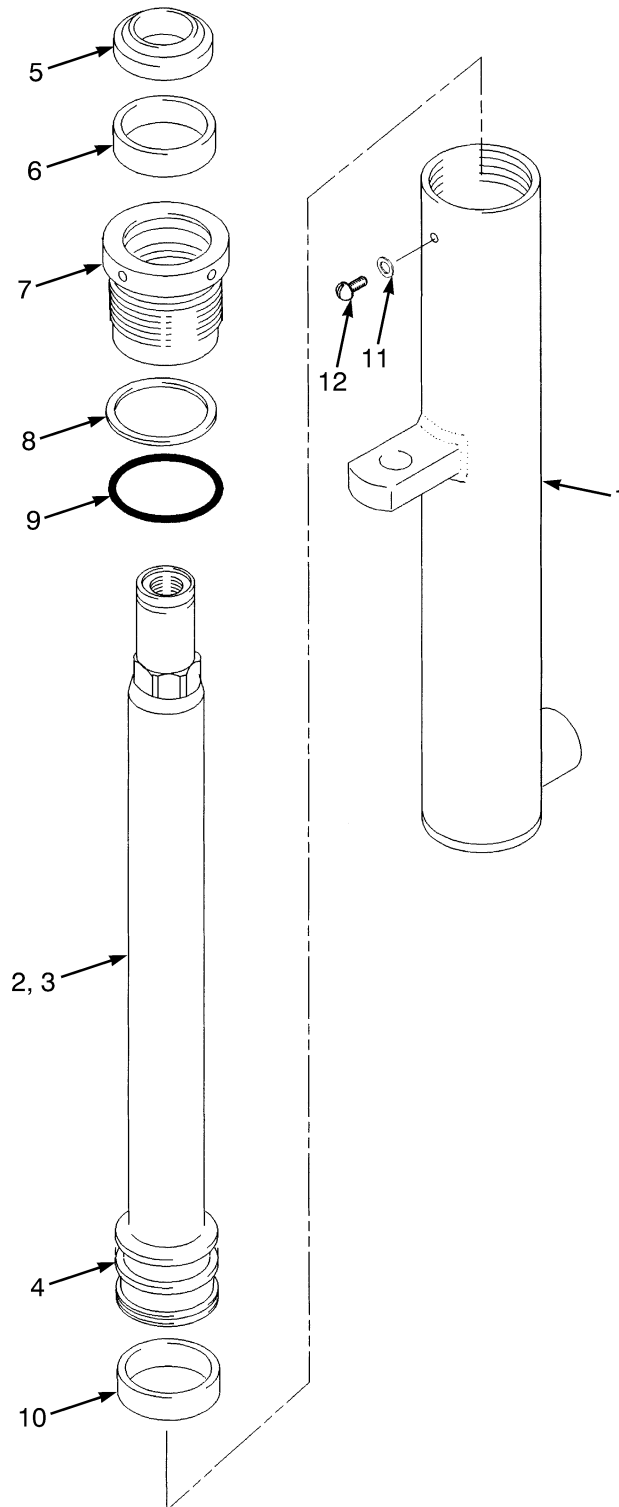
ITEM	DESCRIPTION 1 2 3 4	LIFT HEIGHT TO BOTTOM OF FORKS		
		3178 mm (125.1 in.)	3678 mm (144.8 in.)	4298 mm (169.2 in.)
		Mast Group Number	C663 3178	C663 3678
	Cylinder Group Number	8501908	8501913	8501918
	Cylinder Assy	2069334	2069339	2069344
1	Tube Wldmt- Cylinder	2069276	2069281	2069286
2	Cylinder Rod (Assembly)	1365666	1365671	1365676

ITEM	PART NO.	DESCRIPTION	QTY
	a	Cylinder Assy	1
1	a	Tube Wldmt-Cylinder	1
2	a	Cylinder Rod (Assembly)	1
3	2099494	Cylinder Rod (3178 mm Lift Height)	1
3	2099499	Cylinder Rod (3678 mm Lift Height)	1
3	2099504	Cylinder Rod (4258 mm Lift Height)	1
4	2094675	Piston	1
5	1310369	Rod Wiper	1
6	1381082	Rod Seal	1
7	1563591	Gland	1
8	132834	Back-Up Ring	1
9	55407	O-Ring	1
10	1374802	Wear Ring	1
11	1362875	Piston Ring	1
12	190887	Sealing Ring	1
13	295649	Screw	1
	1498115	Kit-Seal	1

FOOTNOTES:

a Refer to Table

MAIN LIFT CYLINDER RH (FIGURE 9-5) TWO STAGE FULL FREE- LIFT — C663



BP170395

**MAIN LIFT CYLINDER RH
TWO STAGE FULL FREE- LIFT – C663**

C663

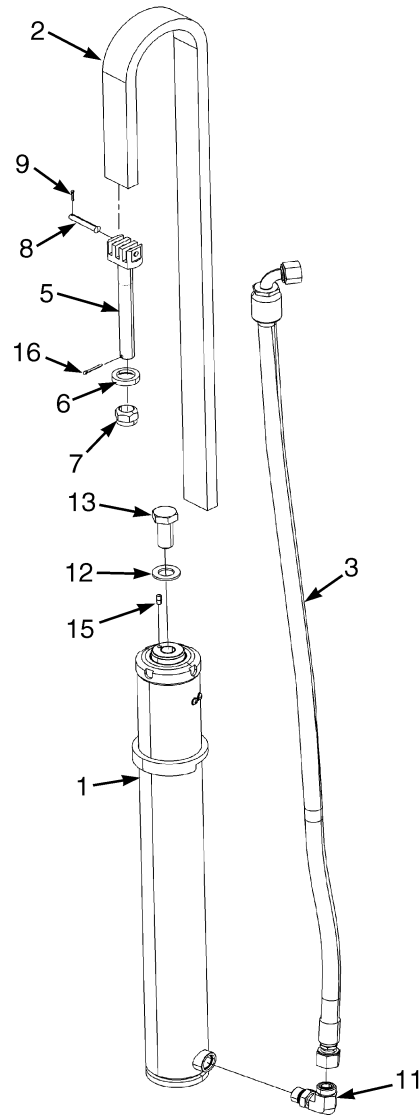
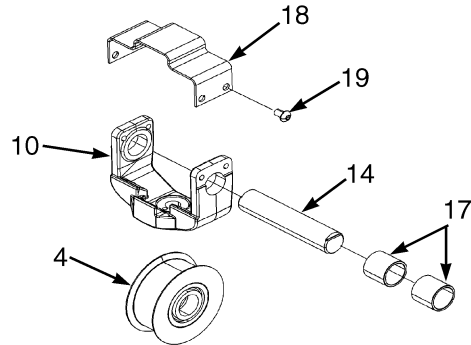
ITEM	DESCRIPTION 1 2 3 4	LIFT HEIGHT TO BOTTOM OF FORKS		
		3178 mm (125.1 in.)	3678 mm (144.8 in.)	4298 mm (169.2 in.)
		Mast Group Number	C663 3178	C663 3678
	Cylinder Group Number	8501808	8501813	8501818
	Cylinder Assy	2069306	2069311	2069316
1	Tube Wldmt- Cylinder	2069276	2069281	2069286
2	Cylinder Rod (Assembly)	1365637	1365642	1365647

ITEM	PART NO.	DESCRIPTION	QTY
	a	Cylinder Assy	1
1	a	Tube Wldmt-Cylinder	1
2	a	Cylinder Rod (Assembly)	1
3	2104772	Cylinder Rod (3178 mm Lift Height)	1
3	2104753	Cylinder Rod (3678 mm Lift Height)	1
3	2104758	Cylinder Rod (4298 mm Lift Height)	1
4	2094674	Piston	1
5	1310369	Rod Wiper	1
6	1381082	Rod Seal	1
7	1563591	Gland	1
8	132834	Back-Up Ring	1
9	55407	O-Ring	1
10	1374802	Wear Ring	1
11	190887	Sealing Ring	1
12	295649	Screw	1
	1498115	Kit-Seal	1

FOOTNOTES:

a Refer to Table

FREE LIFT ASSEMBLY (FIGURE 9-6) TWO STAGE FULL FREE LIFT - C663



BP170364

**FREE LIFT ASSEMBLY
TWO STAGE FULL FREE LIFT - C663**

C663

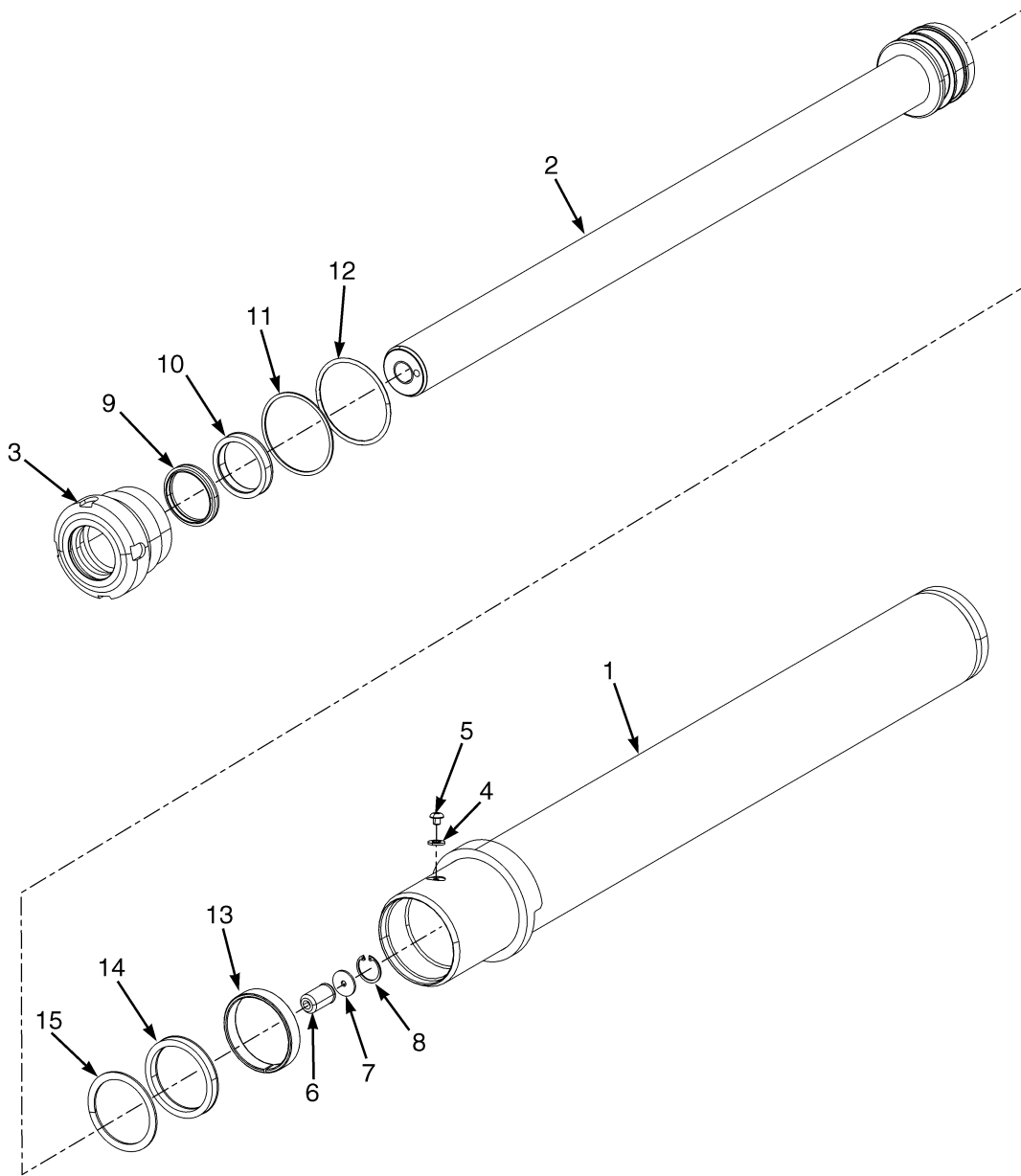
ITEM	DESCRIPTION 1 2 3 4	LIFT HEIGHT TO BOTTOM OF FORKS		
		3178 mm (125.1 in.)	3678 mm (144.8 in.)	4298 mm (169.2 in.)
		C663 3178	C663 3678	C663 4298
	Mast Assy	2091886	2091891	2091896
2	Chain	1550127	1550133	1550142
3	Hose Assy	2085024	2085029	2091042

ITEM	PART NO.	DESCRIPTION	QTY
	a	Mast Assy	1
1	Cylinder Assembly (☞ Figure 9-7).....	1
2	a	Chain	1
3	a	Hose Assy	1
4	1481054	Chain Sheave	1
5	1605676	Chain Anchor	1
6	182376	Ring	1
7	182377	Nut	1
8	1340687	Pin	1
9	15211	Cotter Pin	1
10	1621259	Crosshead	1
11	1481346	Valve	1
11	16485	O-Ring	1
11	252729	O-Ring	1
12	1626490	Washer	1
13	1596406	Capscrew	1
14	1621260	Pin	1
15	310549	Pin	1
16	15223	Cotter Pin	1
17	1621261	Spacer	2
18	1621161	Bracket	2
19	1658934	Capscrew	4

FOOTNOTES:

a Refer to Table

FREE LIFT CYLINDER ASSEMBLY (FIGURE 9-7) TWO STAGE FULL FREE LIFT - C663



BP170212

**FREE LIFT CYLINDER ASSEMBLY
TWO STAGE FULL FREE LIFT - C663**

C663

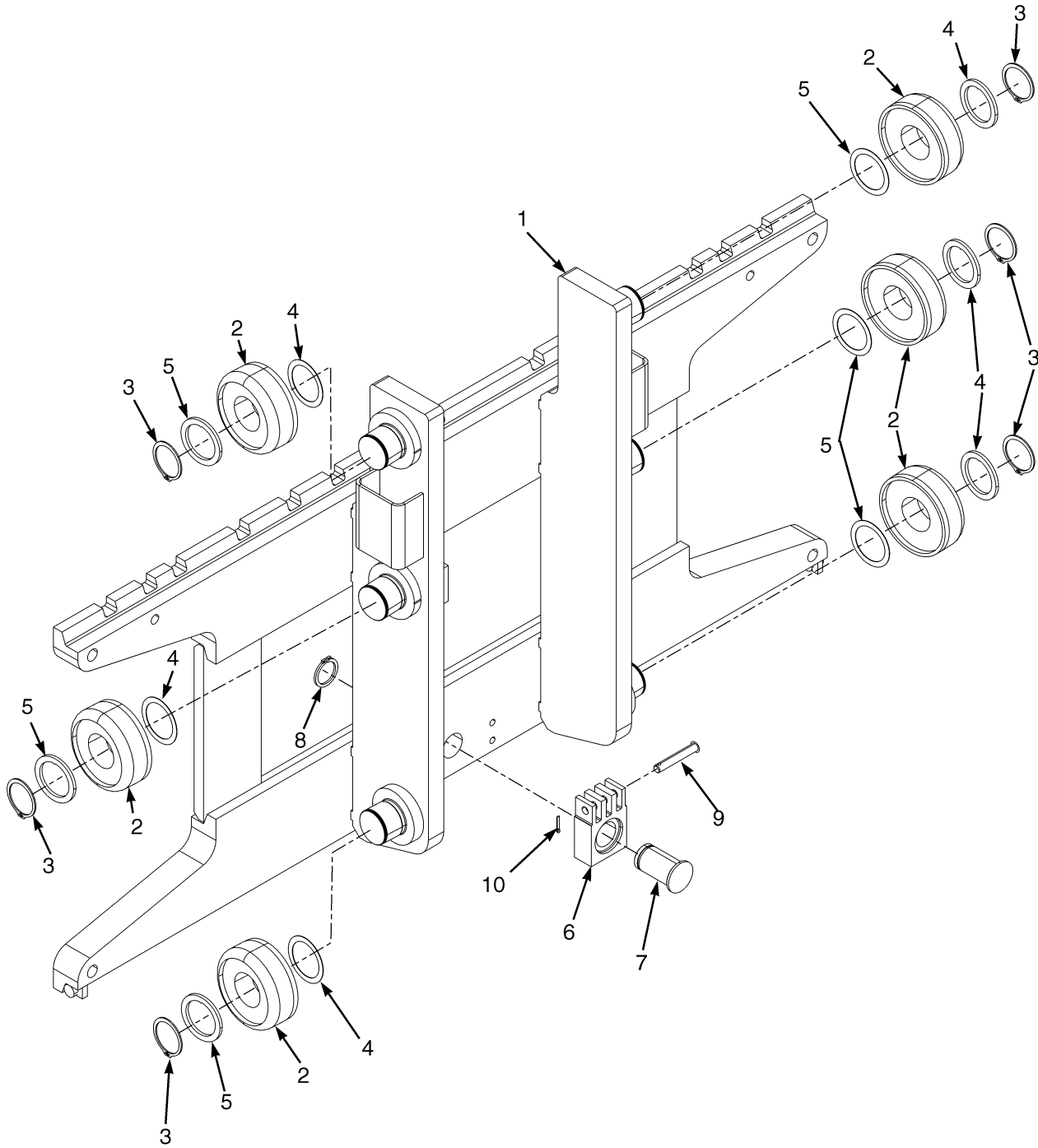
ITEM	DESCRIPTION 1 2 3 4	LIFT HEIGHT TO BOTTOM OF FORKS		
		3178 mm (125.1 in.)	3678 mm (144.8 in.)	4298 mm (169.2 in.)
		Mast Group Number	C663 3178	C663 3678
	Cylinder Group Number	8537308	8537313	8537319
	Cylinder Assy	2102341	2102346	2102352
1	Tube Wldmt- Cylinder	1362924	1362929	1362935
2	Cylinder Rod	2068159	2068164	2068170

ITEM	PART NO.	DESCRIPTION	QTY
	a	Cylinder Assy	1
1	a	Tube Wldmt-Cylinder	1
2	a	Cylinder Rod	1
3	1362880	Gland	1
4	190887	Sealing Ring	1
5	1361302	Screw	1
6	257913	Check Valve	1
6	297538	Check Valve (Alternate Part)	1
7	297531	Washer	1
8	187388	Snap Ring	1
9	2013099	Rod Wiper	1
9	1463105	Rod Wiper (Alternate Part)	1
10	1358970	Rod Seal	1
10	1622946	Rod Seal (Alternate Part)	1
11	615135	Back-Up Ring	1
12	55146	O-Ring	1
13	1362881	Wear Ring	1
14	201829	Rod Seal	1
15	638250	Back-Up Ring	1
	1360141	Kit-Seal	1

FOOTNOTES:

a Refer to Table

CARRIAGE ASSEMBLY (FIGURE 9-8) TWO STAGE FULL FREE- LIFT — STANDARD



BP170385

CARRIAGE ASSEMBLY
TWO STAGE FULL FREE- LIFT – STANDARD

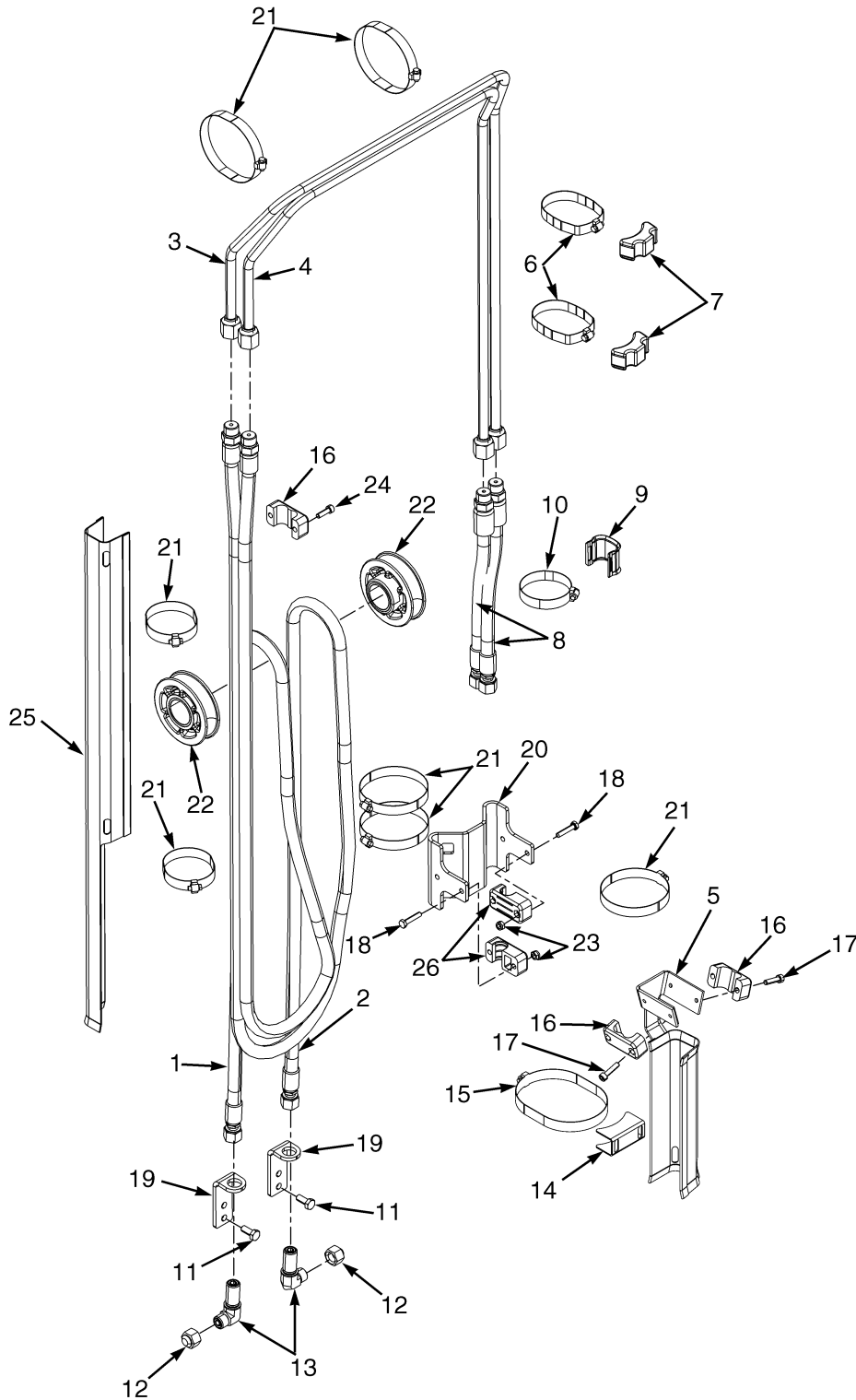
ITEM	PART NO.	DESCRIPTION	QTY
	2108020	Carriage Assembly	1
1	1621060	Carriage	1
2	1333399	Load Roller ("B") (92.18 mm/91.92 mm)	6
2	a 1395169	Load Roller ("A") (91.80 mm/91.54 mm)	6
3	58901	Snap Ring	6
3	a 1374797	Snap Ring	6
4	129387	Shim (0.508 mm)	AR
5	366115	Spacer	6
6	1481258	Chain Anchor	1
7	185597	Pin	1
8	131358	Snap Ring	2
9	1340687	Pin	1
10	15211	Cotter Pin	1

FOOTNOTES:

a Optional

HEADER HOSE ASSEMBLY (FIGURE 9-9)

TWO STAGE FULL FREE LIFT - C663 — 3 FUNCTION (→ S/N C663B01671H) (→ S/N A935B01868H)



BP170362

HEADER HOSE ASSEMBLY
TWO STAGE FULL FREE LIFT - C663 – 3 FUNCTION (→ S/N C663B01671H) (→ S/N A935B01868H)

C663

ITEM	DESCRIPTION 1 2 3 4	LIFT HEIGHT TO BOTTOM OF FORKS		
		3178 mm (125.1 in.)	3678 mm (144.8 in.)	4298 mm (169.2 in.)
		C663 3178	C663 3678	C663 4298
1	Hose Assy	2104214	2104219	2104224
2	Hose Assy	2104243	2104248	2104253
3	Hydraulic Tube	1549968	1549973	1549978
4	Hydraulic Tube	1549998	1550003	1550008
5	Hose Guide	1605688	1605688	1605688

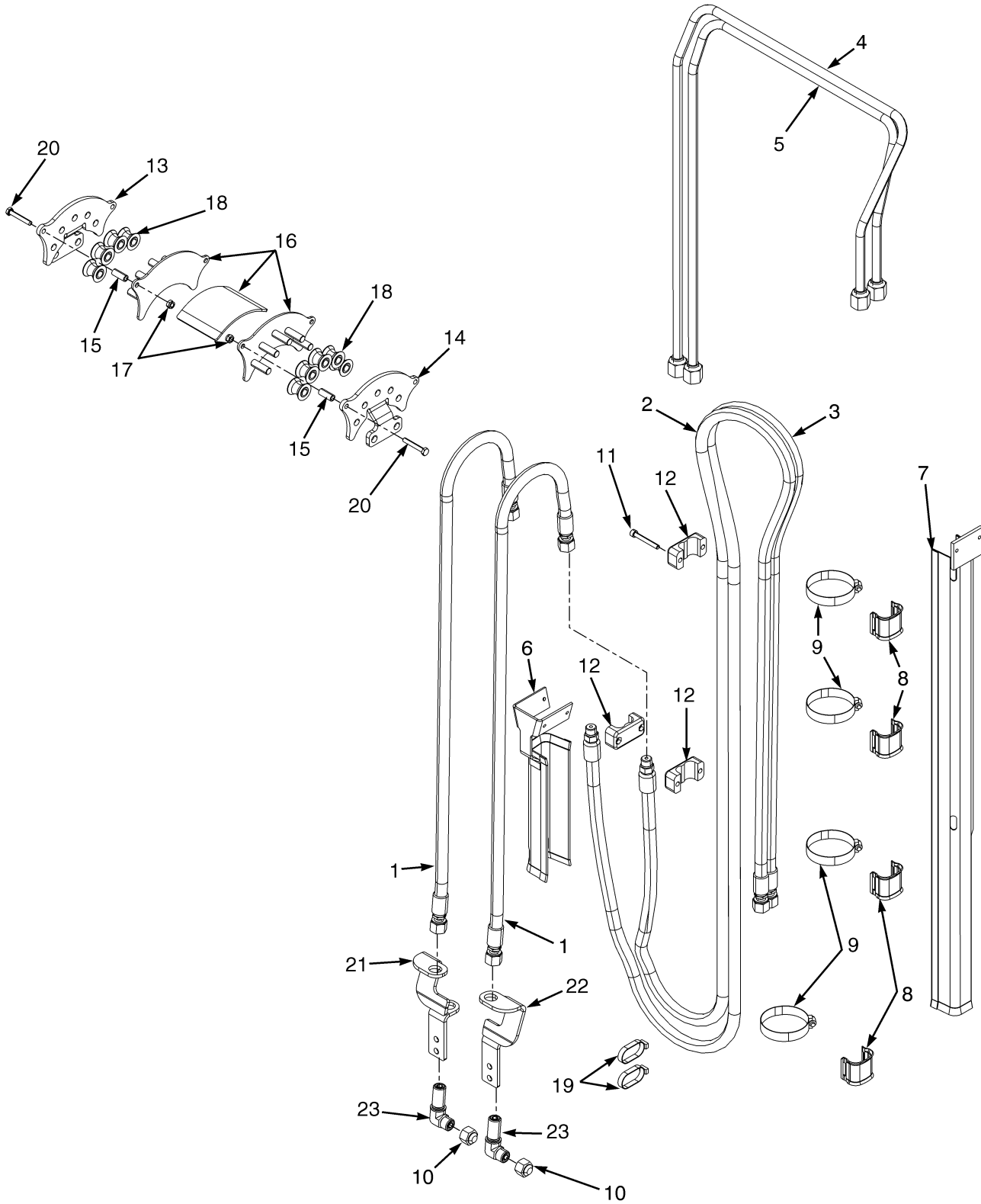
ITEM	PART NO.	DESCRIPTION	QTY
1	a	Hose Assy	1
2	a	Hose Assy	1
3	a	Hydraulic Tube	1
4	a	Hydraulic Tube	1
5	a	Hose Guide	1
6	1617658	Clamp	2
7	1606855	Spacer	2
8	2097036	Hose Assy	2
9	1477996	Hose Clamp	1
10	1617657	Clamp	1
11	1581580	Capscrew	4
12	1529015	Cap	2
13	1528579	Fitting	2
13	265787	O-Ring	2
14	1345423	Clamp	1
15	1360508	Clamp	1
16	1360386	Clamp (Double Hose)	3
17	1581741	Capscrew	4
18	1581834	Capscrew	4
19	1621637	Bracket	2
20	1646980	Bracket	1
21	1360507	Clamp	7
22	1631395	Hose Sheave	2
23	1581565	Nut	4
24	1581842	Capscrew	2
25	1619747	Hose Guide	1
26	1631196	Clamp (Single Hose)	2

FOOTNOTES:

a Refer to Table

HEADER HOSE ASSEMBLY (FIGURE 9-10)

TWO STAGE FULL FREE LIFT - C663 — 4TH FUNCTION (→ S/N C663B01671H) (→ S/N A935B01868H)



BP170363

HEADER HOSE ASSEMBLY

TWO STAGE FULL FREE LIFT - C663 – 4TH FUNCTION (→ S/N C663B01671H) (→ S/N A935B01868H)

C663

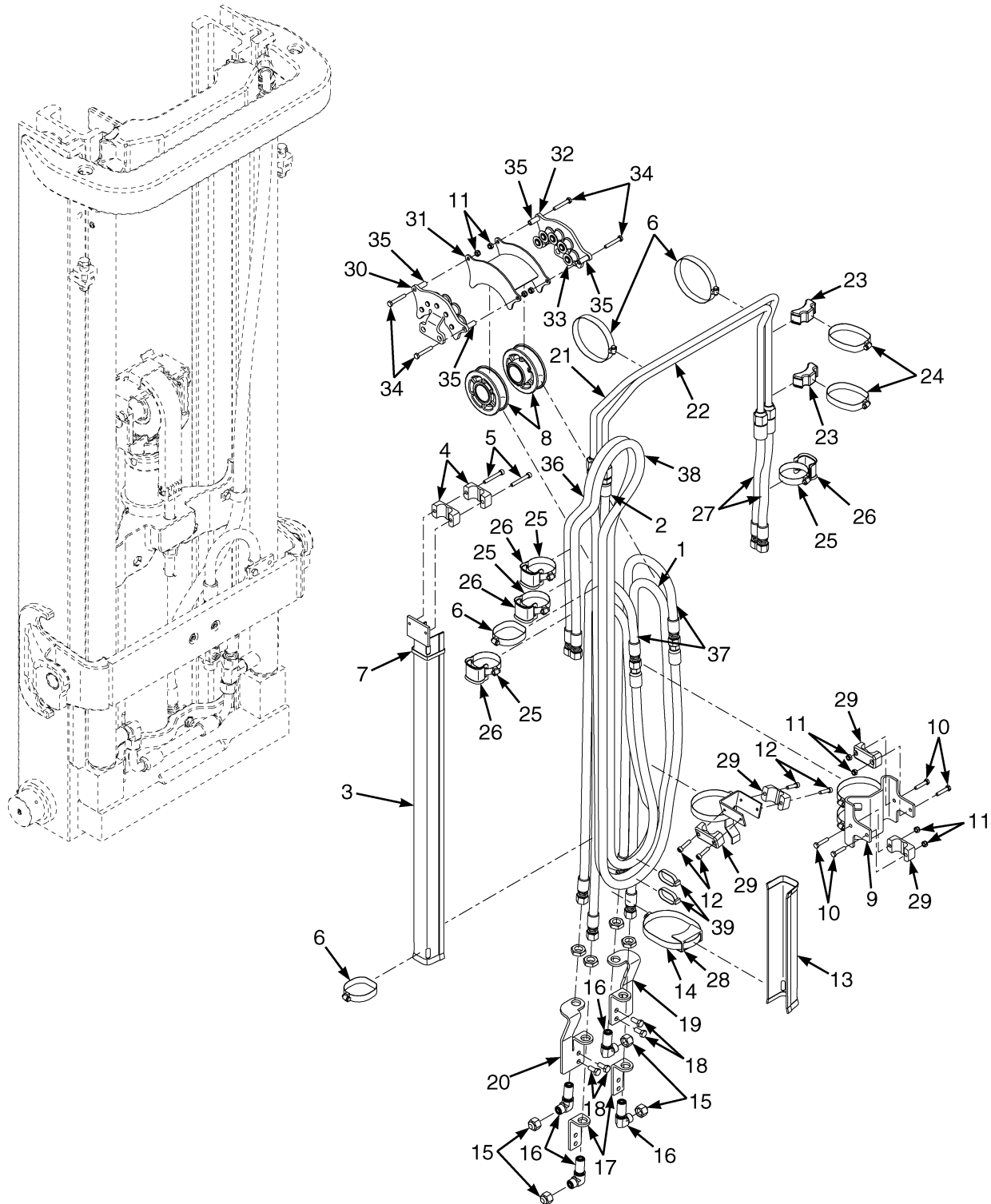
ITEM	DESCRIPTION 1 2 3 4	LIFT HEIGHT TO BOTTOM OF FORKS		
		3178 mm (125.1 in.)	3678 mm (144.8 in.)	4298 mm (169.2 in.)
		C663 3178	C663 3678	C663 4298
1	Hose Assy	2111139	2111140	2111141
2	Hose Assy	2104367	2104370	2097552
3	Hose Assy	2104374	2097484	2104382
4	Hydraulic Tube	1549998	1550003	1550008
5	Hydraulic Tube	1549968	1549973	1549978
6	Hose Guide	1605688	1605688	1605688
7	Hose Guard	1365523	1365526	1365533
8	Hose Clamp	----	----	1477996
9	Clamp	----	----	1617657

ITEM	PART NO.	DESCRIPTION	QTY
1	a	Hose Assy	1
2	a	Hose Assy	1
3	a	Hose Assy	1
4	a	Hydraulic Tube	1
5	a	Hydraulic Tube	1
6	a	Hose Guide	1
7	a	Hose Guard	1
8	a	Hose Clamp	1
9	a	Clamp	1
10	1529015	Cap	2
11	1581843	Capscrew	2
12	1360386	Clamp (Double Hose)	3
13	1631378	Bracket Wldmt	1
14	1631377	Bracket Wldmt	1
15	1631292	Spacer	6
16	1631384	Hose Guard	1
17	1631260	Hose Guard	1
18	1676097	Hose Sheave (Tangent Roller)	10
19	137852	Strap Clamp	2
20	1581578	Capscrew	6
21	1581565	Nut	6
22	1621646	Hose Clamp	1
23	1528579	Fitting	2

FOOTNOTES:

a Refer to Table

HEADER HOSE ASSEMBLY (FIGURE 9-11) TWO-STAGE FULL FREE-LIFT — C663 (S/N A935B01869H →) (S/N C663B01672H →)



BP170442

HEADER HOSE ASSEMBLY
TWO-STAGE FULL FREE-LIFT – C663 (S/N A935B01869H →) (S/N C663B01672H →)

C663

ITEM	DESCRIPTION 1 2 3 4	LIFT HEIGHT TO BOTTOM OF FORKS		
		3178 mm (125.1 in.)	3678 mm (144.8 in.)	4298 mm (169.2 in.)
		C663 3178	C663 3678	C663 4298
1	Hose Assy	2104214	2104219	2104224
2	Hose Assy	2104243	2104248	2104253
3	Hose Guard	1365523	1365526	1365533
13	Channel	4010225	4010225	4010225
27	Hose Assy	2111895	2111899	2111904
36	Hose Assy	2097481	2097482	2097487
37	Hose Assy	2111139	2111140	2111141
38	Hose Assy	2104366	2104368	2097549

KEY:

A: 3 Function

B: 4 Function

ITEM	PART NO.	DESCRIPTION	QTY	
			A	B
1	a	Hose Assy	1	1
2	a	Hose Assy	1	1
3	a	Hose Guard	1	1
4	1360386	Clamp (Double Hose)	5	6
5	1581842	Capscrew	2	..
5	1581843	Capscrew	2
6	1360507	Clamp	7	7
7	129563	Strap Clamp	1	1
8	1631395	Hose Sheave	2	2
9	1646980	Bracket	1	1
10	1581834	Capscrew	4	4
11	1581565	Nut	4	8
12	1581741	Capscrew	4	4
13	a	Channel	1	1
14	1360508	Clamp	1	1
15	1529015	Cap	2	4
16	1528579	Fitting	2	4
17	1621637	Bracket	2	2
18	1581580	Capscrew	4	4
19	4621444			
	1621086	Bracket	1
20	4621445			
	1621087	Bracket	1
21	4600106	Tube Assy	1	1
22	4600105	Tube Assy	1	1
23	1606855	Spacer	1	2

HEADER HOSE ASSEMBLY

TWO-STAGE FULL FREE-LIFT – C663 (S/N A935B01869H →) (S/N C663B01672H →)

KEY:

A: 3 Function

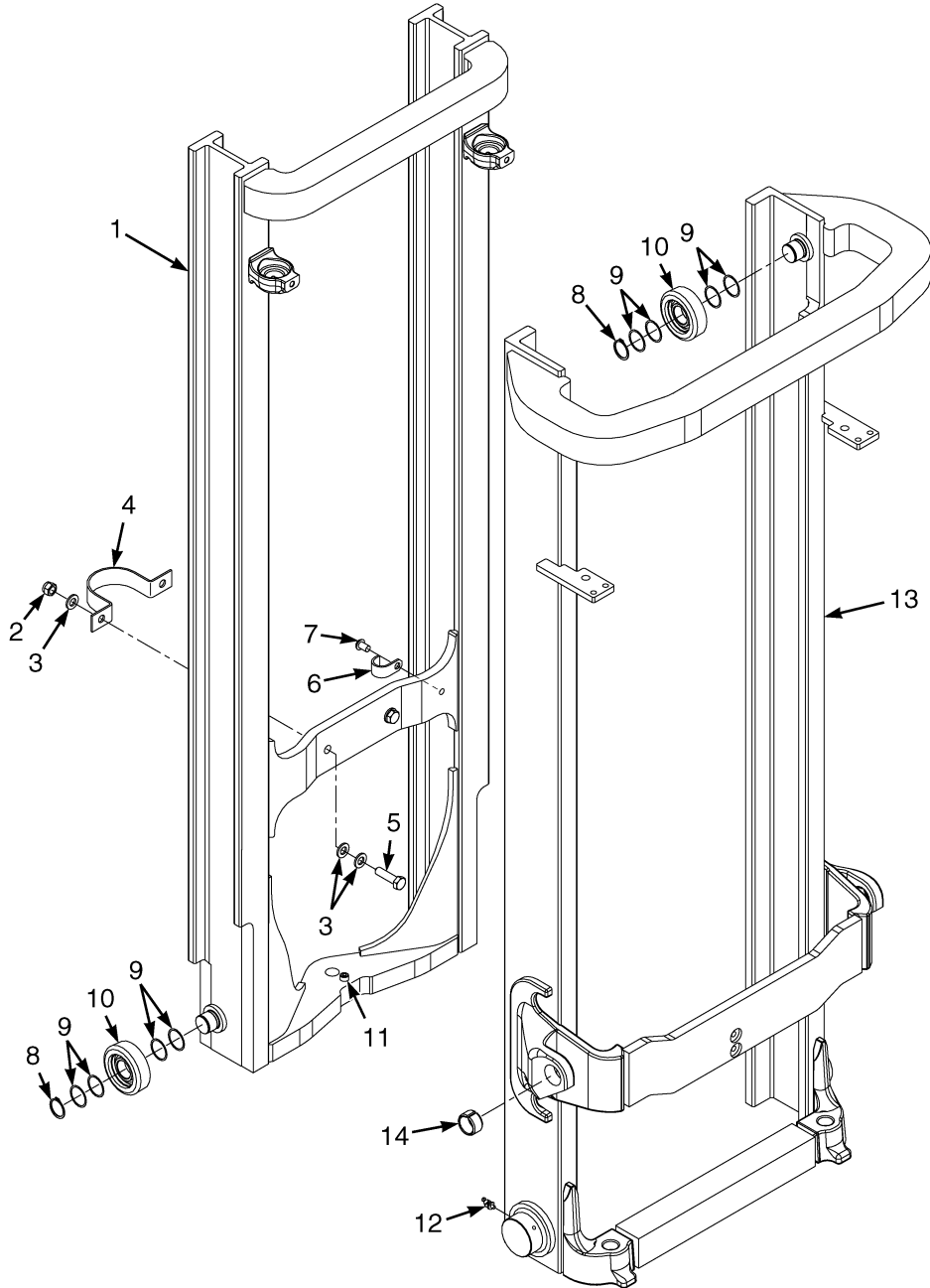
B: 4 Function

ITEM	PART NO.	DESCRIPTION	QTY	
			A	B
24	1617658	Clamp	1	2
25	1617657	Clamp	2	3
26	1477996	Hose Clamp	2	3
27	a	Hose Assy	2	2
28	1345423	Clamp	1	1
29	1631196	Clamp (Single Hose)	2	..
29	1360386	Clamp (Double Hose)	2
30	1631377	Bracket Wldmt	1
31	1631228	Bracket Wldmt	1
32	1631378	Bracket Wldmt	1
33	1676097	Hose Sheave (Tanget Roller)	10
34	1581578	Capscrew	2
35	1631292	Spacer	2
36	a	Hose Assy	1
37	a	Hose Assy	1
38	a	Hose Assy	1
39	137852	Strap Clamp	2

FOOTNOTES:

a Refer to Table

MAST ASSEMBLY (FIGURE 9-12) TWO STAGE FULL FREE- LIFT — A272



BP170461

**MAST ASSEMBLY
TWO STAGE FULL FREE- LIFT – A272**

A272

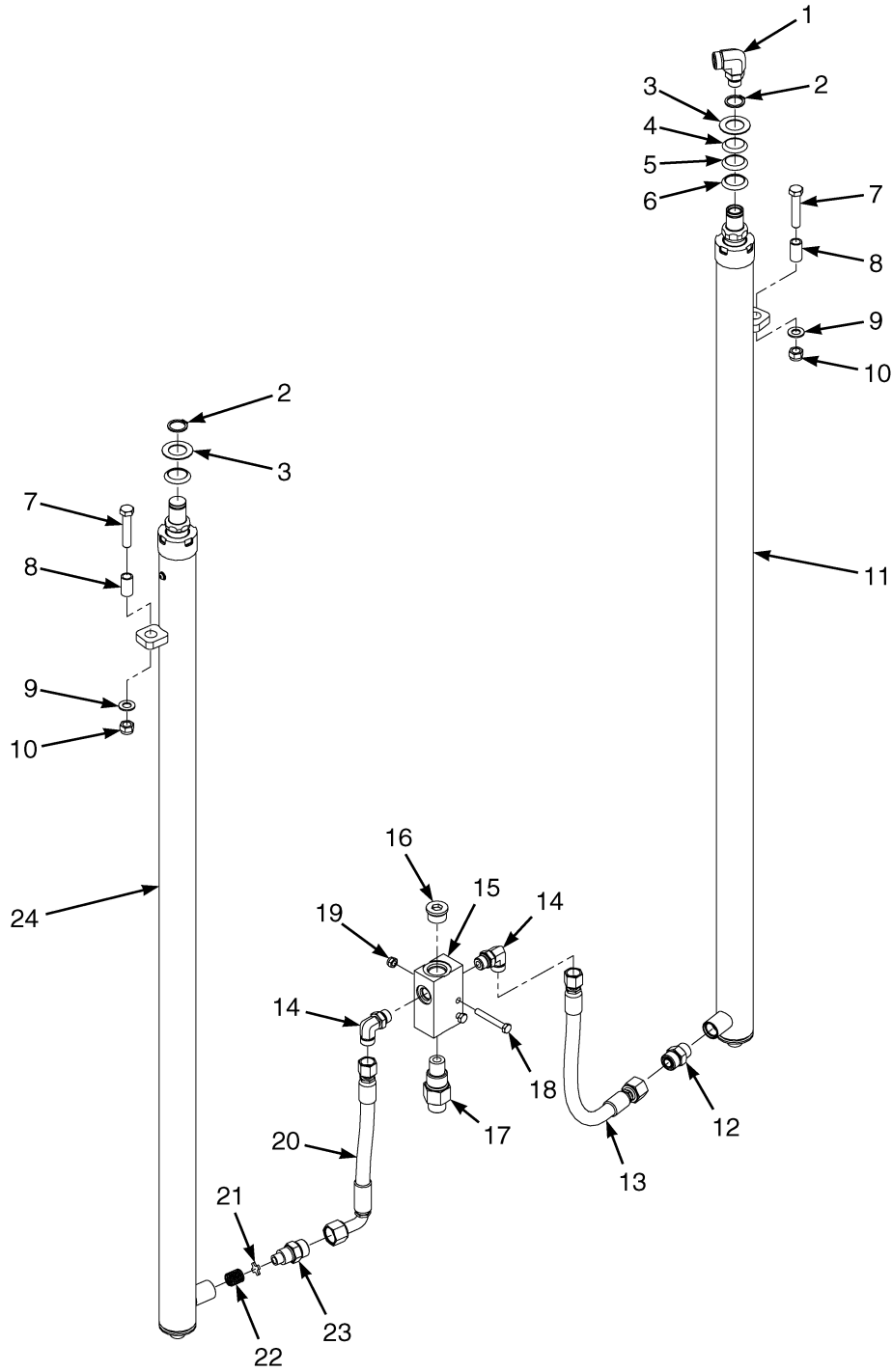
ITEM	DESCRIPTION 1 2 3 4	LIFT HEIGHT TO BOTTOM OF FORKS		
		3178 mm (125.1 in.)	3678 mm (144.8 in.)	4298 mm (169.2 in.)
		Mast Group Number	A272 3178	A272 3678
	Mast Assy	2103993	2104690	2104695
1	Inner Mast	1631908	1631913	1631919
13	Outer Mast	1631808	1631813	1631819

ITEM	PART NO.	DESCRIPTION	QTY
	a	Mast Assy	1
1	a	Inner Mast	1
2	1581849	Nut	4
3	1581852	Washer	4
4	1631245	Bracket	1
5	1581832	Capscrew	2
6	1631368	Clamp	1
6	178119	Clamp (Alternate Part)	1
7	1597442	Capscrew	1
8	58908	Snap Ring	4
9	1631492	Shim	AR
10	1604900	Load Roller	4
11	296008	Capscrew	1
12	16045	Lube Ftg	2
13	a	Outer Mast	1
14	1348185	Bushing	1

FOOTNOTES:

a Refer to Table

MAIN LIFT ASSEMBLY (FIGURE 9-13) TWO STAGE FULL FREE- LIFT — A272

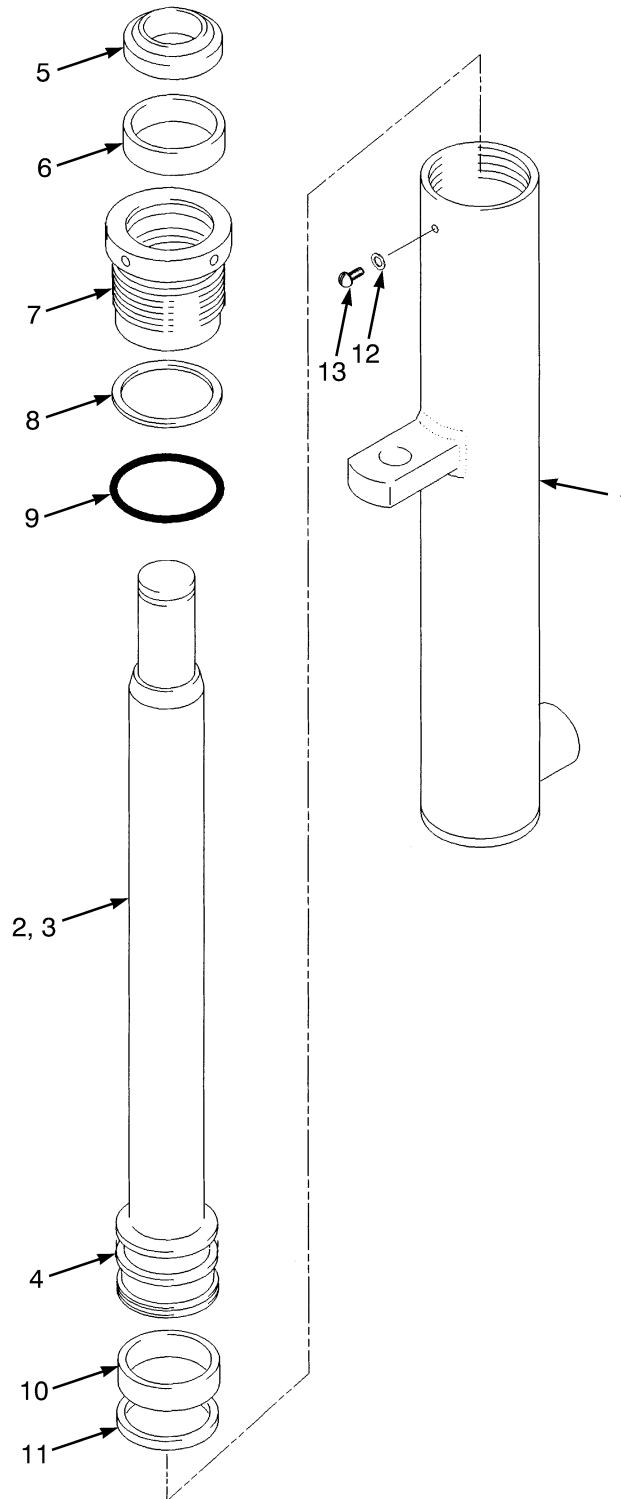


BP170460

**MAIN LIFT ASSEMBLY
TWO STAGE FULL FREE- LIFT – A272**

ITEM	PART NO.	DESCRIPTION	QTY
1	1481345	Fitting	1
2	131358	Snap Ring	1
3	1333382	Washer (1.500 mm)	1
4	1354917	Washer (1.524 mm)	AR
5	1354916	Washer (0.762 mm)	AR
6	1354915	Washer (0.254 mm)	AR
7	1597381	Capscrew	2
8	323090	Spacer	2
9	1581559	Washer	2
10	1581849	Nut	4
11	Cylinder Assembly (RH) (☞Figure 9-15).....	1
12	1486749	Fitting	1
13	2100011	Hose Assy	1
14	1473897	Fitting	2
15	1388019	Housing	1
16	222444	Fitting	1
17	1481348	Lowering Control Valve	1
18	1581836	Capscrew	2
19	1581566	Nut	2
20	2100010	Hose Assy	1
21	323160	Washer	1
22	120938	Spring	1
23	1605087	Fitting	1
24	Cylinder Assembly (LH) (☞Figure 9-14).....	1

MAIN LIFT CYLINDER LH (FIGURE 9-14) TWO STAGE FULL FREE LIFT — A272



BP170396

**MAIN LIFT CYLINDER LH
TWO STAGE FULL FREE LIFT – A272**

A272

ITEM	DESCRIPTION 1 2 3 4	LIFT HEIGHT TO BOTTOM OF FORKS		
		3178 mm (125.1 in.)	3678 mm (144.8 in.)	4298 mm (169.2 in.)
		Mast Group Number	A272 3178	A272 3678
	Cylinder Group Number	8501908	8501913	8501918
	Cylinder Assy	2069334	2069339	2069344
1	Tube Wldmt- Cylinder	2069276	2069281	2069286
2	Cylinder Rod (Assembly)	1365666	1365671	1365676

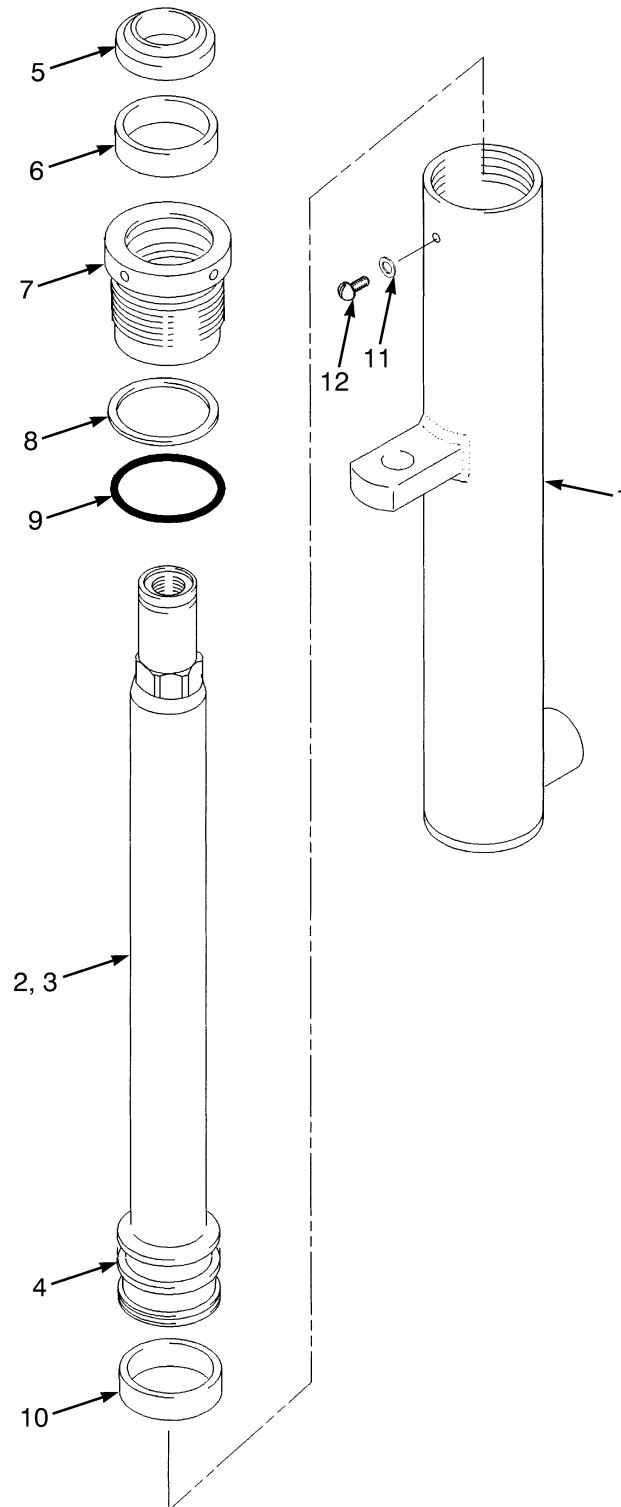
ITEM	PART NO.	DESCRIPTION	QTY
	b	Cylinder Assy	1
1	b	Tube Wldmt-Cylinder	1
2	b	Cylinder Rod (Assembly)	1
3	2099494	Cylinder Rod (3178 mm Lift Height)	1
3	2099499	Cylinder Rod (3678 mm Lift Height)	1
3	2099504	Cylinder Rod (4258 mm Lift Height)	1
4	2094675	Piston	1
5	1310369	Rod Wiper	1
6	1381082	Rod Seal	1
7	1563591	Gland	1
8	132834	Back-Up Ring	1
9	55407	O-Ring	1
10	1374802	Wear Ring	1
11	1362875	Piston Ring	1
12	190887	Sealing Ring	1
13	295649	Screw	1
	a 186061	Lubricant	1
	1498115	Kit-Seal	1

FOOTNOTES:

a Not Illustrated

b Refer to Table

MAIN LIFT CYLINDER RH (FIGURE 9-15) TWO STAGE FULL FREE- LIFT — A272



BP170395

**MAIN LIFT CYLINDER RH
TWO STAGE FULL FREE- LIFT – A272**

A272

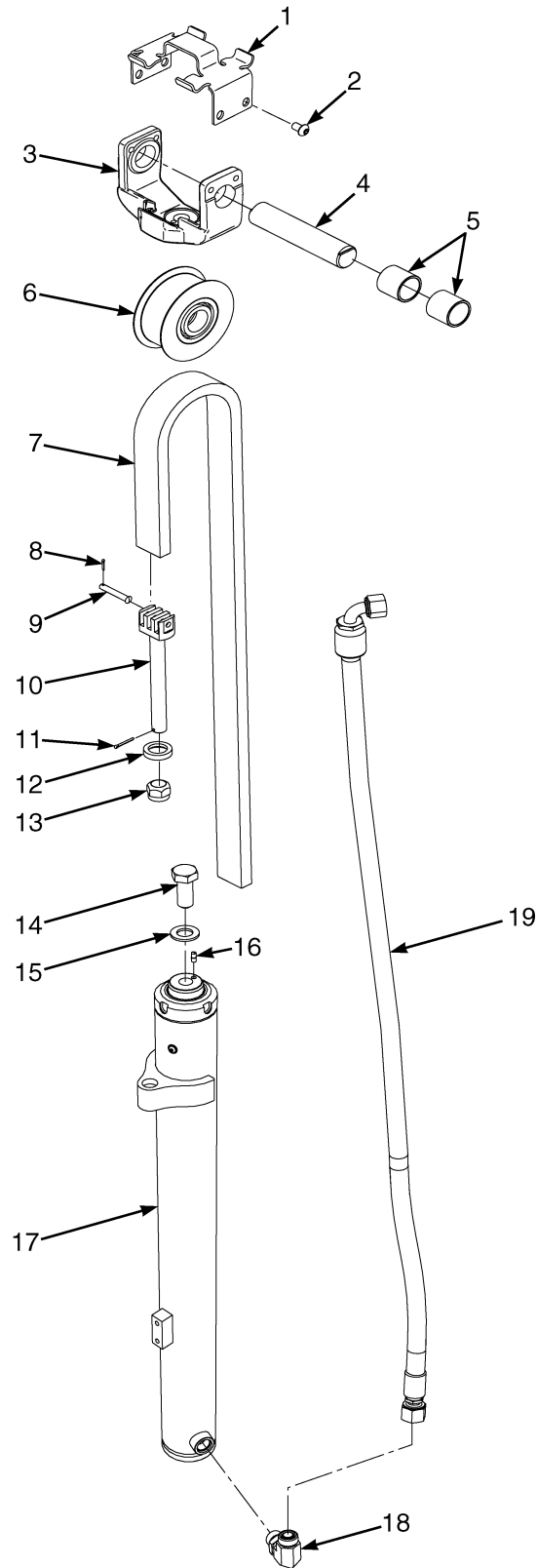
ITEM	DESCRIPTION 1 2 3 4	LIFT HEIGHT TO BOTTOM OF FORKS		
		3178 mm (125.1 in.)	3678 mm (144.8 in.)	4298 mm (169.2 in.)
		Mast Group Number	A272 3178	A272 3678
	Cylinder Group Number	8501808	8501813	8501818
	Cylinder Assy	2069306	2069311	2069316
1	Tube Wldmt- Cylinder	2069276	2069281	2069286
2	Cylinder Rod (Assembly)	1365637	1365642	1365647
13	Spacer (Not Illustrated)	----	----	2046094

ITEM	PART NO.	DESCRIPTION	QTY
	a	Cylinder Assy	1
1	a	Tube Wldmt-Cylinder	1
2	a	Cylinder Rod (Assembly)	1
3	2104772	Cylinder Rod (3178 mm Lift Height)	1
3	2104753	Cylinder Rod (3678 mm Lift Height)	1
3	2104758	Cylinder Rod (4298 mm Lift Height)	1
4	2094674	Piston	1
5	1310369	Rod Wiper	1
6	1381082	Rod Seal	1
7	1563591	Gland	1
8	132834	Back-Up Ring	1
9	55407	O-Ring	1
10	1374802	Wear Ring	1
11	190887	Sealing Ring	1
12	295649	Screw	1
13	a	Spacer (Not Illustrated)	1
14	1498115	Kit-Seal	1

FOOTNOTES:

a Refer to Table

FREE-LIFT ASSEMBLY (FIGURE 9-16) TWO STAGE FULL FREE- LIFT — A272



BP170462

**FREE-LIFT ASSEMBLY
TWO STAGE FULL FREE- LIFT – A272**

A272

ITEM	DESCRIPTION 1 2 3 4	LIFT HEIGHT TO BOTTOM OF FORKS		
		3178 mm (125.1 in.)	3678 mm (144.8 in.)	4298 mm (169.2 in.)
		Mast Group Number A272 3178	A272 3678	A272 4298
7	Chain	266705	266706	1631546
19	Hose Assy	a4608400	a4608405	a4608410

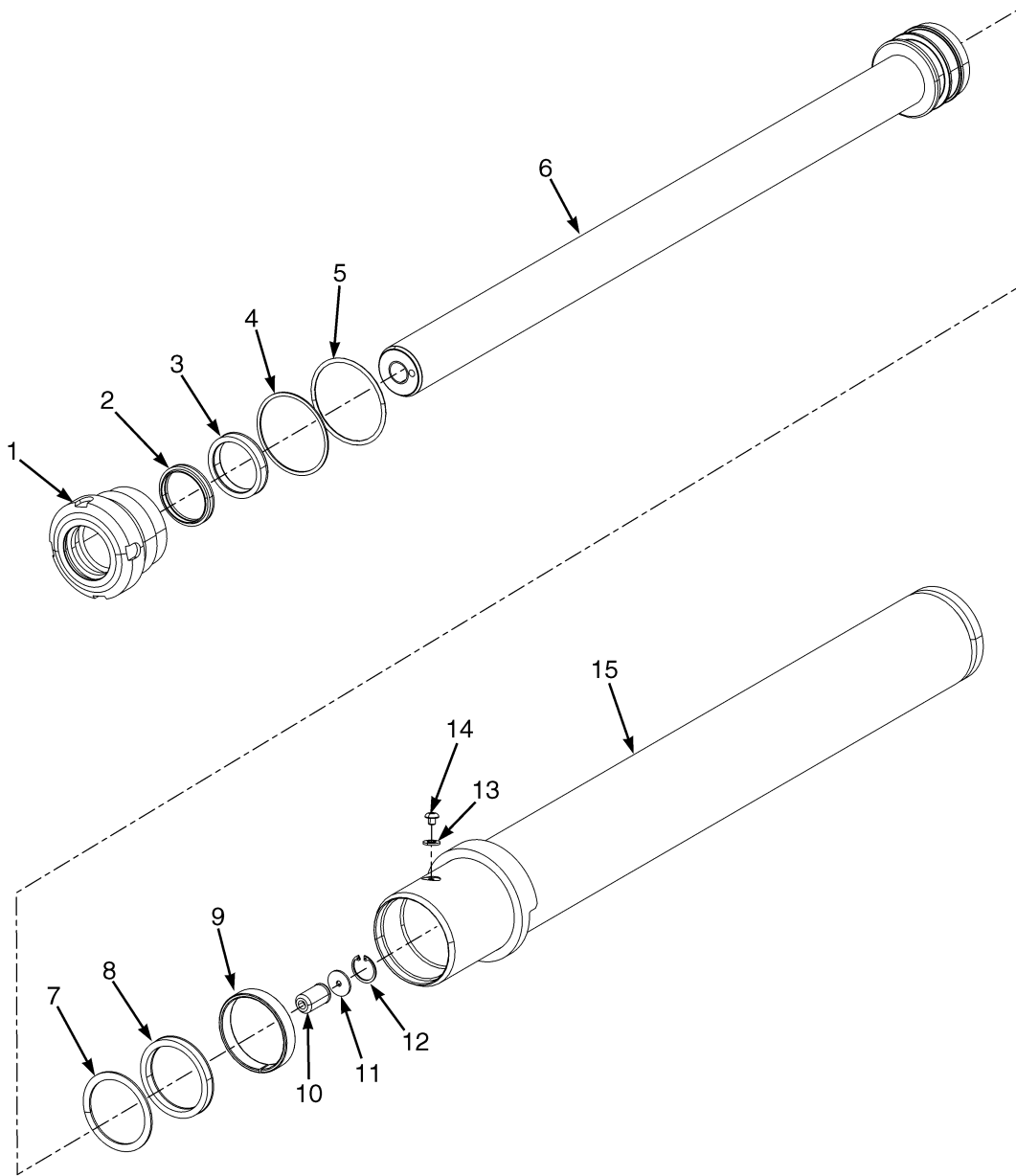
ITEM	PART NO.	DESCRIPTION	QTY
1	1631276	Bracket	2
2	1658934	Capscrew	4
3	1621252	Crosshead	1
4	1621258	Pin	1
5	1631396	Bushing	2
6	1604904	Chain Sheave	1
7	b	Chain	1
8	15211	Cotter Pin	1
9	315634	Chain Anchor Pin	1
10	1631142	Chain Anchor	1
11	15223	Cotter Pin	1
12	161004	Ring	1
13	161003	Nut	1
14	1596406	Capscrew	1
15	1626490	Washer	1
16	310549	Pin	1
17	Cylinder Assembly	1
18	1481346	Valve	1
18	16485	O-Ring	1
18	252729	O-Ring	1
19	b	Hose Assy	1

FOOTNOTES:

a Alternate Part

b Refer to Table

FREE LIFT CYLINDER ASSEMBLY (FIGURE 9-17) TWO STAGE FULL FREE- LIFT — A272



BP170463

**FREE LIFT CYLINDER ASSEMBLY
TWO STAGE FULL FREE- LIFT – A272**

A272

ITEM	DESCRIPTION 1 2 3 4	LIFT HEIGHT TO BOTTOM OF FORKS		
		3178 mm (125.1 in.)	3678 mm (144.8 in.)	4298 mm (169.2 in.)
		Mast Group Number	A272 3178	A272 3678
	Cylinder Group Number	8537709	8537714	8537719
	Cylinder Assy	2094528	2094533	2104018
6	Rod Assy	2094555	2094560	2104446
15	Tube Wldmt-Cylinder	2094541	2094546	2104442

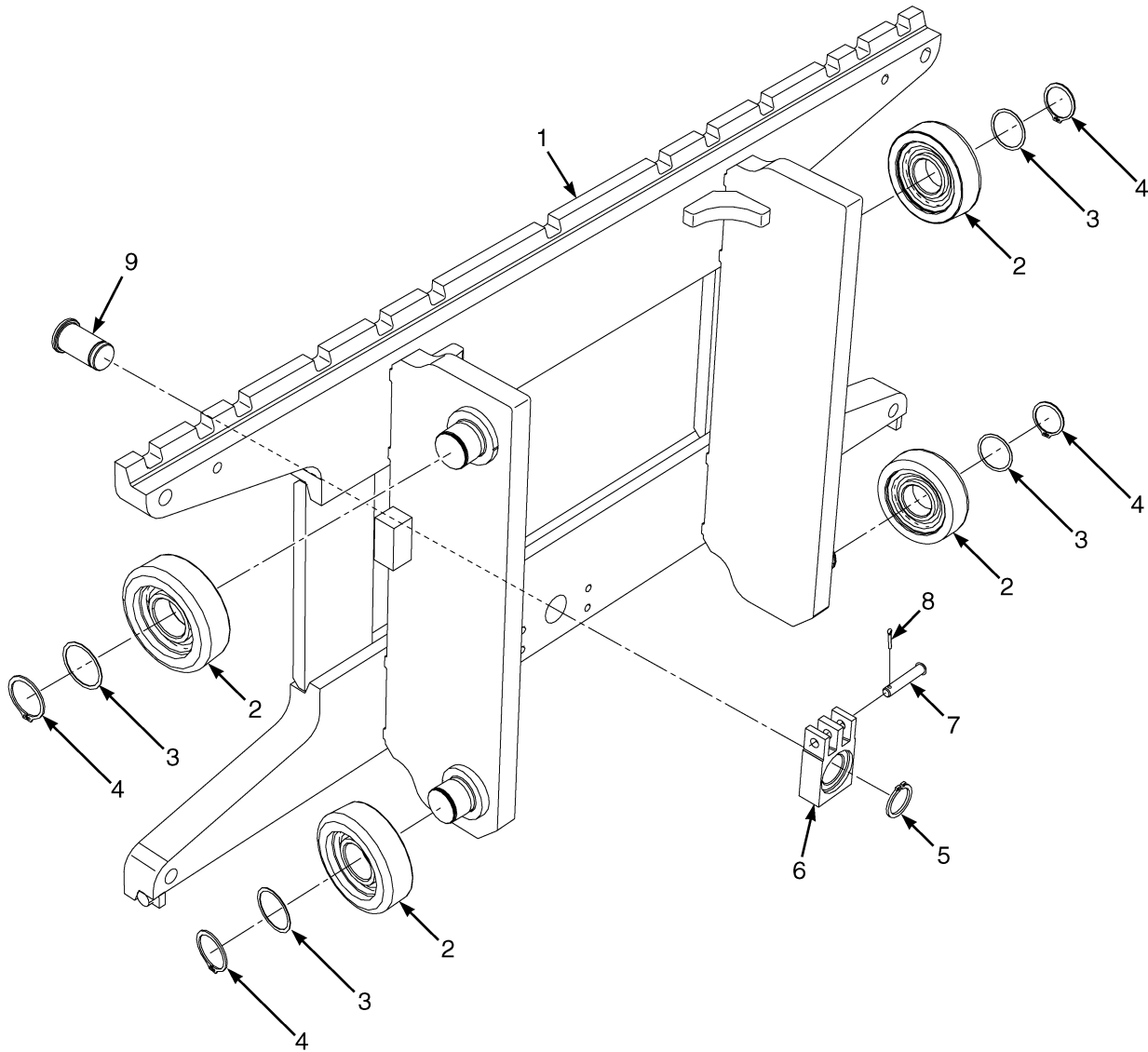
ITEM	PART NO.	DESCRIPTION	QTY
	b	Cylinder Assy	1
1	1648871	Gland	1
2	1463105	Rod Wiper	1
3	1622946	Rod Seal	1
4	15879	O-Ring	1
5	154375	Back-Up Ring	1
6	b	Rod Assy	1
7	351532	Back-Up Ring	1
8	358300	Rod Seal	1
9	2094421	Wear Ring	1
10	297538	Check Valve	1
11	297531	Washer	1
12	187388	Snap Ring	1
13	190887	Sealing Ring	1
14	295649	Screw	1
15	b	Tube Wldmt-Cylinder	1
	a 190580	O-Ring	1
	186061	Lubricant	AR

FOOTNOTES:

a Not Illustrated

b Refer to Table

CARRIAGE ASSEMBLY (FIGURE 9-18) TWO STAGE FULL FREE- LIFT-STANDARD — A272

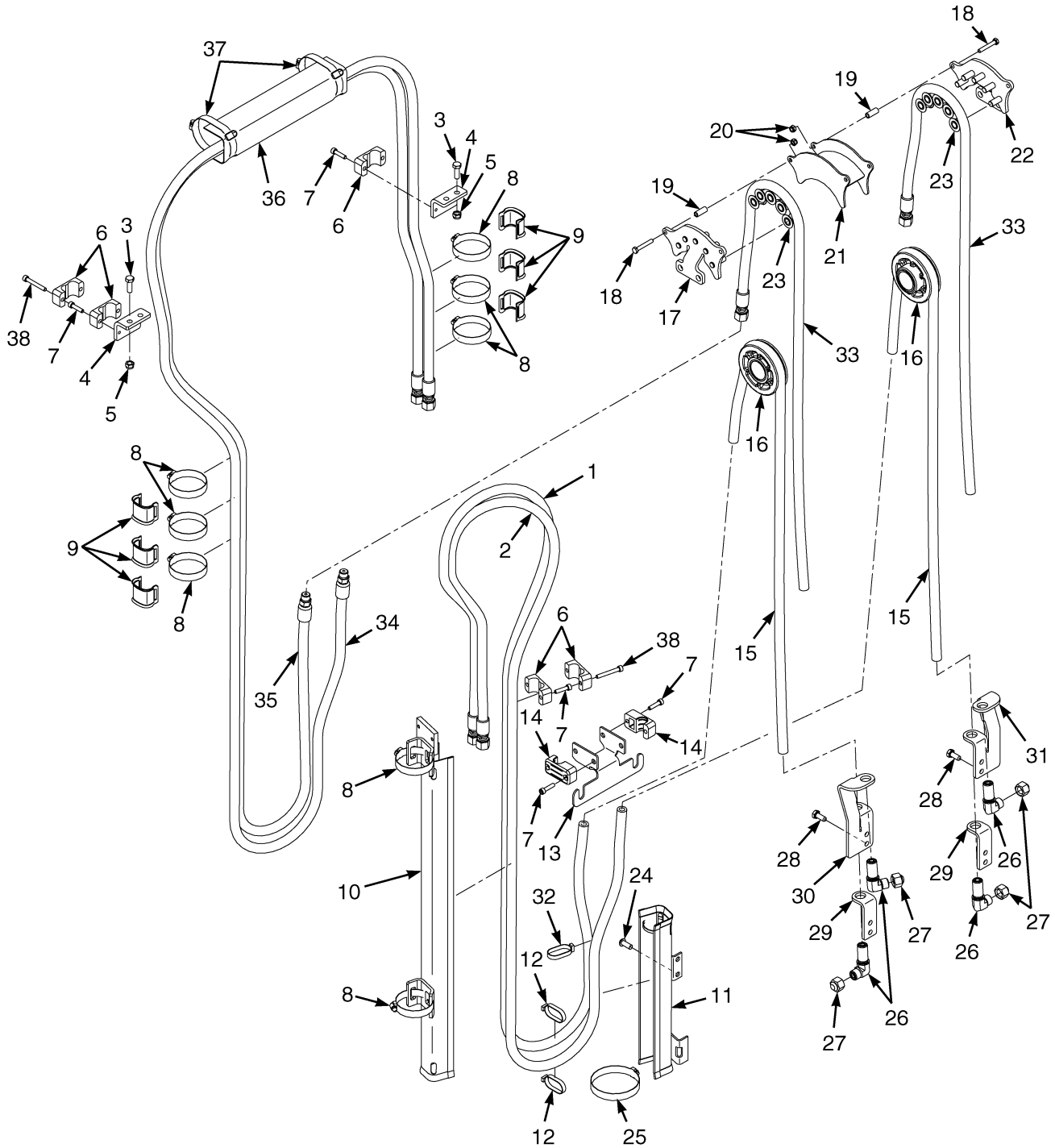


BP170465

CARRIAGE ASSEMBLY
TWO STAGE FULL FREE- LIFT-STANDARD – A272

ITEM	PART NO.	DESCRIPTION	QTY
	2098672	Carriage	1
1	1600856	Carriage Wldmt	1
2	1604900	Load Roller	4
3	1631492	Shim	20
3	215240	Shim (0,762 mm) (Optional)	16
4	58908	Snap Ring	4
5	131358	Snap Ring	1
6	1631499	Anchor	1
7	147485	Pin	1
8	15211	Cotter Pin	1
9	185597	Pin	1

HEADER HOSE ASSEMBLY (FIGURE 9-19) TWO STAGE FULL FREE- LIFT — A272



BP170464

**HEADER HOSE ASSEMBLY
TWO STAGE FULL FREE- LIFT – A272**

A272

ITEM	DESCRIPTION 1 2 3 4	LIFT HEIGHT TO BOTTOM OF FORKS		
		3178 mm (125.1 in.)	3678 mm (144.8 in.)	4298 mm (169.2 in.)
		A272 3178	A272 3678	A272 4298
1	Hose Assy	2105674	2105679	2105684
2	Hose Assy	2105657	2105662	2105667
8	Clamp	1481229	1481229	1481229
9	Hose Clamp	1477996	1477996	1477996
10	Channel	1631352	1631353	1631355
11	Channel	1631356	1631358	1631358
15	Hose Assy	4602396	4602398	4602406
33	Hose Assy	2107212	2107212	2107213
34	Hose Assy	2105708	2105713	2105718
35	Hose Assy	2105691	2105696	2105701

KEY:

A: 3 Function

B: 4 Function

ITEM	PART NO.	DESCRIPTION	QTY	
			A	B
1	a	Hose Assy	1	1
2	a	Hose Assy	1	1
3	1581581	Capscrew	2	4
4	1631362	Bracket	1	2
5	1581566	Nut	2	4
6	1360386	Clamp (Double Hose)	2	7
7	1581741	Capscrew	8	10
8	a	Clamp	6	12
9	a	Hose Clamp	2	4
10	a	Channel	1	1
11	a	Channel	1	1
12	137852	Strap Clamp	1	7
13	1631372	Bracket Wldmt	1	1
14	1631196	Clamp (Single Hose)	2	..
14	1360386	Clamp (Double Hose)	2
15	a	Hose Assy	2	2
16	1631395	Hose Sheave	2	4
17	1631378	Bracket Wldmt	1
18	1581578	Capscrew	4
19	1631292	Spacer	4
20	1581565	Nut	4
21	1631227	Bracket Wldmt	1
22	1631377	Bracket Wldmt	1

HEADER HOSE ASSEMBLY TWO STAGE FULL FREE- LIFT – A272

KEY:

A: 3 Function

B: 4 Function

ITEM	PART NO.	DESCRIPTION	QTY	
			A	B
23	1676097	Hose Sheave (Tangent Roller)	10
24	1597448	Capscrew	2	4
25	1617658	Clamp	1	2
26	1528579	Fitting	2	6
27	1529015	Cap	2	6
28	1581580	Capscrew	4	8
29	4021520	Bracket (LH)	1	..
29	4021521	Bracket (RH)	1	..
30	1621144 1621086	Bracket	1
31	1621145 1621087	Bracket	1
32	129563	Strap Clamp	1	2
33	a	Hose Assy	2	2
34	a	Hose Assy	1	1
35	a	Hose Assy	1	1
36	1631363	Hose Guide	1
37	1360507	Clamp	2
38	1581741	Capscrew	4
38	1581843	Capscrew	4

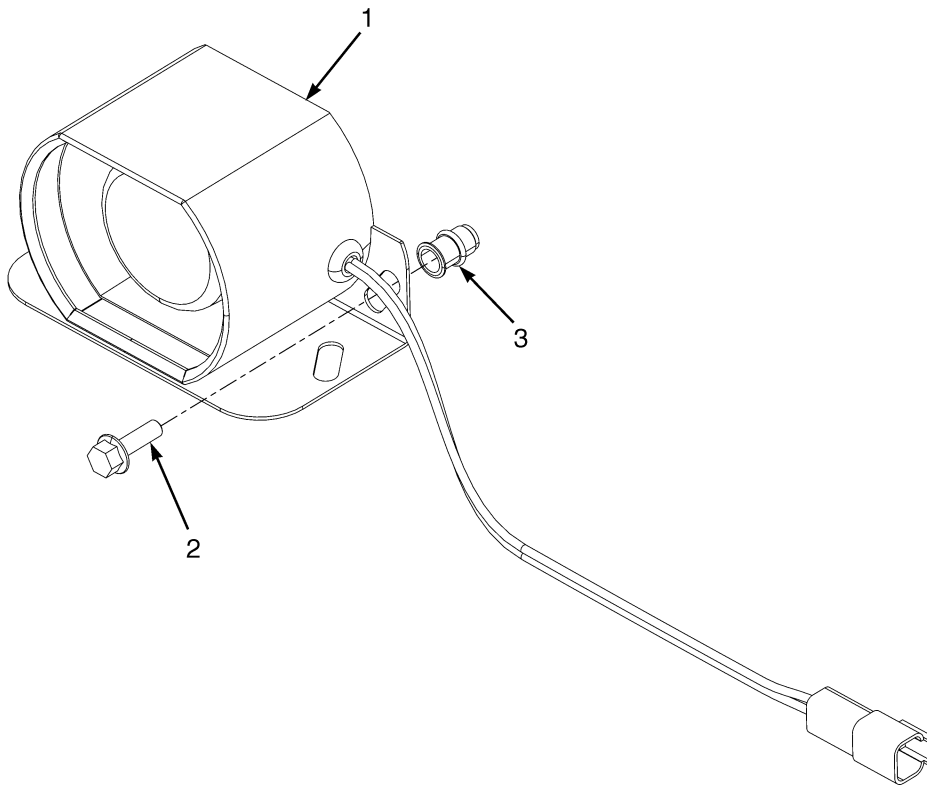
FOOTNOTES:

a Refer to Table

**SECTION 10
OPTIONS**

DESCRIPTION	PAGE
AUDIBLE ALARM	10-2
AUXILIARY TUBE EXTENSIONS	
TWO AND THREE STAGE FULL FREE-LIFT	10-42
TWO-STAGE LIMITED FREE-LIFT	10-40
CARRIAGE ASSEMBLY	
THREE STAGE FULL FREE LIFT - A271 - INTEGRAL SIDE-SHIFT	10-24
THREE STAGE FULL FREE LIFT - C662 - INTEGRAL SIDE-SHIFT	10-26
TWO STAGE FULL FREE LIFT - C663 - INTEGRAL SIDE-SHIFT	10-30
TWO STAGE FULL FREE- LIFT-A272 - INTEGRAL SIDE-SHIFT	10-28
TWO STAGE LIMITED FREE LIFT - A270 - INTEGRAL SIDE-SHIFT	10-20
TWO STAGE LIMITED FREE LIFT - C661 - INTEGRAL SIDE-SHIFT	10-22
DC/DC CONVERTER	10-4
DOME LIGHT	10-12
FRONT WORK AND MARKER LIGHTS	10-6
IMPACT SENSOR	10-44
INTEGRAL SIDE-SHIFT	
FORK POSITIONER - TWO STAGE LIMITED FREE-LIFT	10-32
FORK POSITIONER - THREE STAGE FULL FREE-LIFT	10-34
FORK POSITIONER - TWO STAGE FULL FREE-LIFT	10-36
INTEGRAL SIDE-SHIFT CYLINDER	10-38
MIRROR	
CONVEX REAR VIEW	10-14
DUAL REAR VIEW	10-16
REAR REFLECTORS	10-8
REVERSE HANDLE	10-18
STROBE LIGHT ASSEMBLY AND REAR WORK LIGHT	10-10

AUDIBLE ALARM (FIGURE 10-1)



BP000319

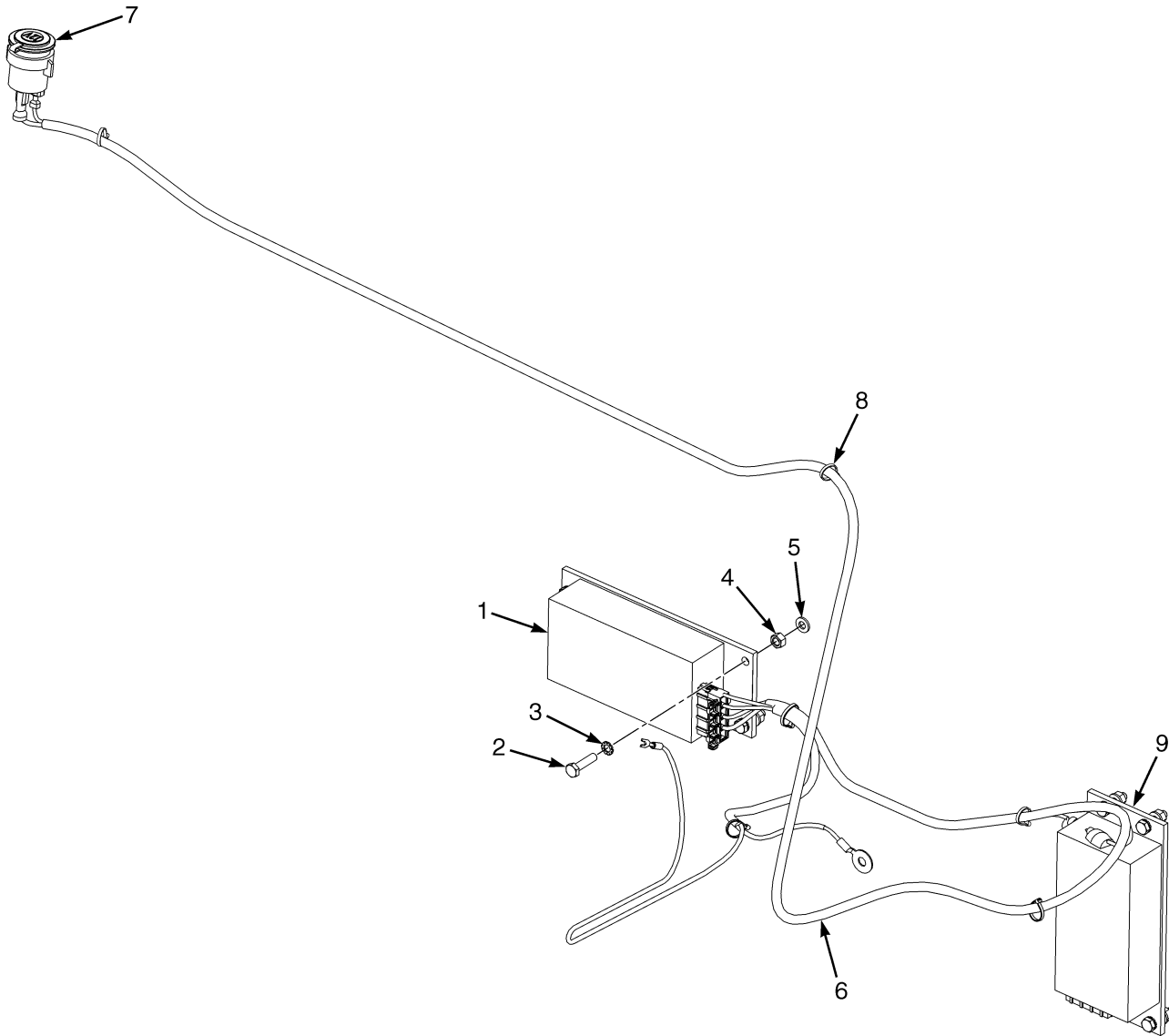
AUDIBLE ALARM

ITEM	PART NO.	DESCRIPTION	QTY
1	2107985	Back-Up Alarm Assembly	1
1	2107777	Back-Up Alarm	1
1	1493465	Connector (2 Pin)	1
1	1330414	Connector (Secondary Lock)	1
1	1330433	Terminal	2
2	1665758	Capscrew	2
3	1531001	Insert	2
	a 1557151	Jumper	1

FOOTNOTES:

a Not Illustrated

DC/DC CONVERTER (FIGURE 10-2)



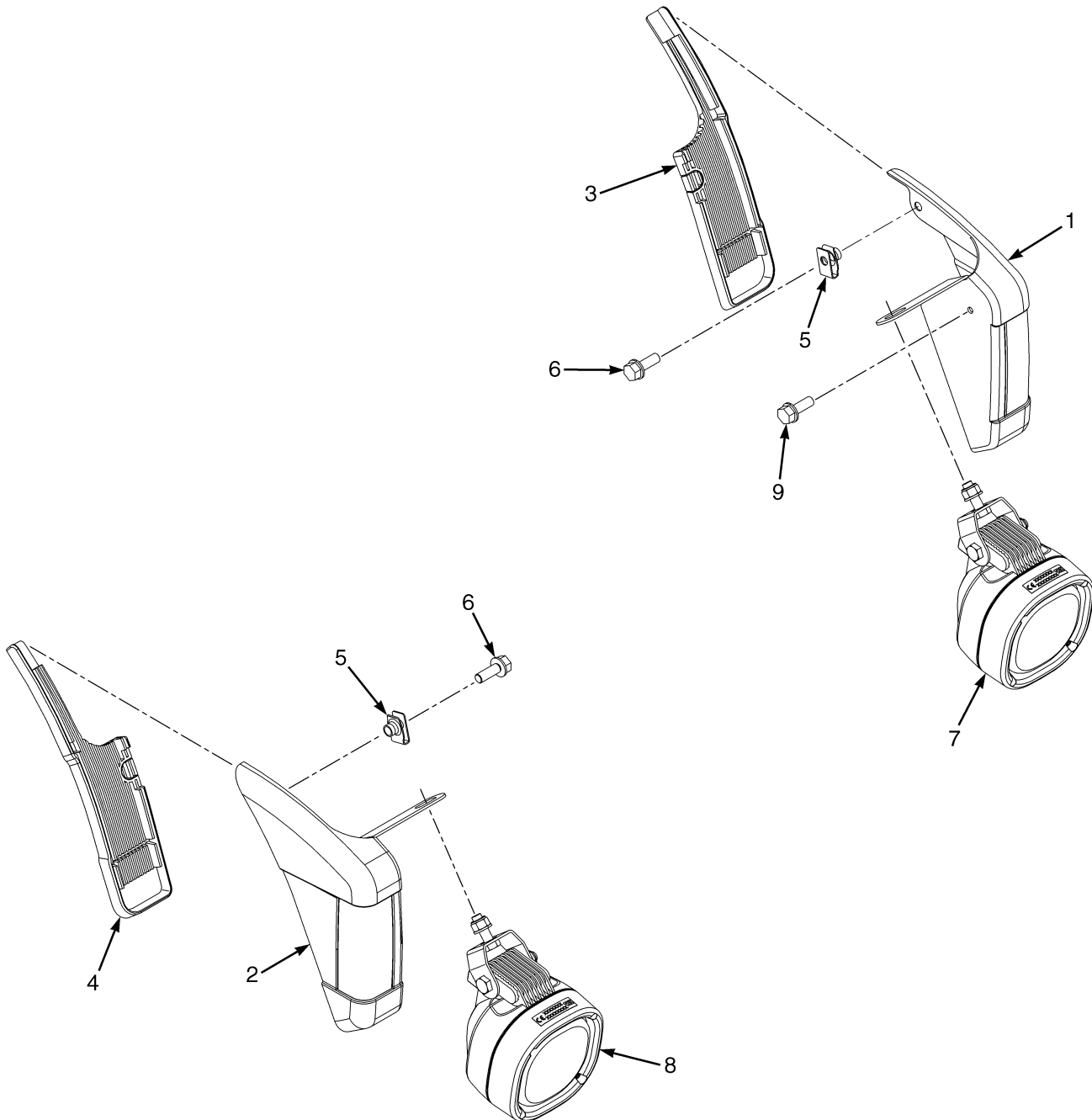
BP000238

DC/DC CONVERTER

ITEM	PART NO.	DESCRIPTION	QTY
1	2066643	Dc-Dc Converter (36V/48V to 12V) (Primary)	1
2	293603	Capscrew	4
2	1527877	Capscrew (Alternate Part)	2
3	296379	Washer	4
4	292653	Nut	4
4	1307884 1514429	Nut (Alternate Part)	2
5	320156	Washer	4
6	a 2111100	Wire Harness Assembly	1
6	b 4610995	Wire Harness	1
6	4620807	Wire Harness (DC/DC Converter)	1
7	1556322	Receptacle	1
8	2302672	Strap	6
9	2066643	Dc-Dc Converter (36V/48V to 12V) (Auxiliary)	1

FOOTNOTES:**a** → PENDING PER ECN 13416125**b** PENDING PER ECN 13416125 →

FRONT WORK AND MARKER LIGHTS (FIGURE 10-3)



BP000134

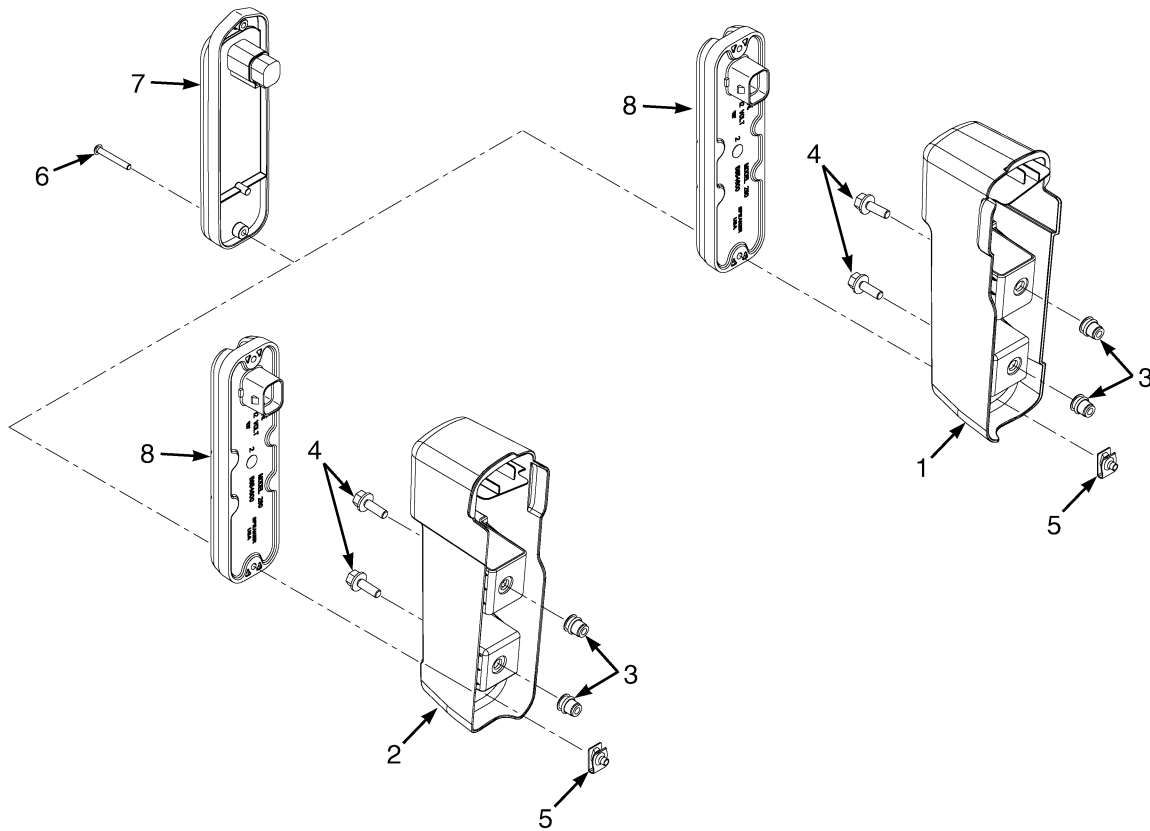
FRONT WORK AND MARKER LIGHTS

ITEM	PART NO.	DESCRIPTION	QTY
1	b 2092533	Light (LH Marker/Turn Signal)	1
1	d 4601397	Light (LH Front Marker/Turn Signal)	1
2	b 2092532	Light (RH Marker/Turn Signal)	1
2	d 4601396	Light (RH Front Marker/Turn Signal)	1
3	b 2107970	Trim (LH)	1
3	d 4600954	Trim (LH)	1
4	b 2107971	Trim (RH)	1
4	d 4600955	Trim (RH)	1
5	1480237	Nut	2
6	1583611	Capscrew	2
7	2098970	Worklight (Front LH) (Glass Lens)(Halogen)	1
7	1662409	Bulb (Clear) (55 W 1450 lm)	1
7	2107384	Head/Work Light (LH Front) (LED)	1
8	2098969	Worklight (Front RH) (Glass Lens) (Halogen)	1
8	1662409	Bulb (Clear) (55 W 1450 lm)	1
8	2107383	Head/Work Light (RH Front) (LED)	1
9	c 1693371	Capscrew	2
9	e 1665758	Capscrew	2
	a 1382302	Switch (Lights - High Beam)	1
	a 1694442	Flasher	1

FOOTNOTES:

- | | | | |
|----------|----------------------------|----------|----------------------------|
| a | Not Illustrated | d | PENDING PER ECN 10396271 → |
| b | → PENDING PER ECN 10396271 | e | PENDING PER ECN 13416125 → |
| c | → PENDING PER ECN 13416125 | | |

REAR REFLECTORS (FIGURE 10-4)



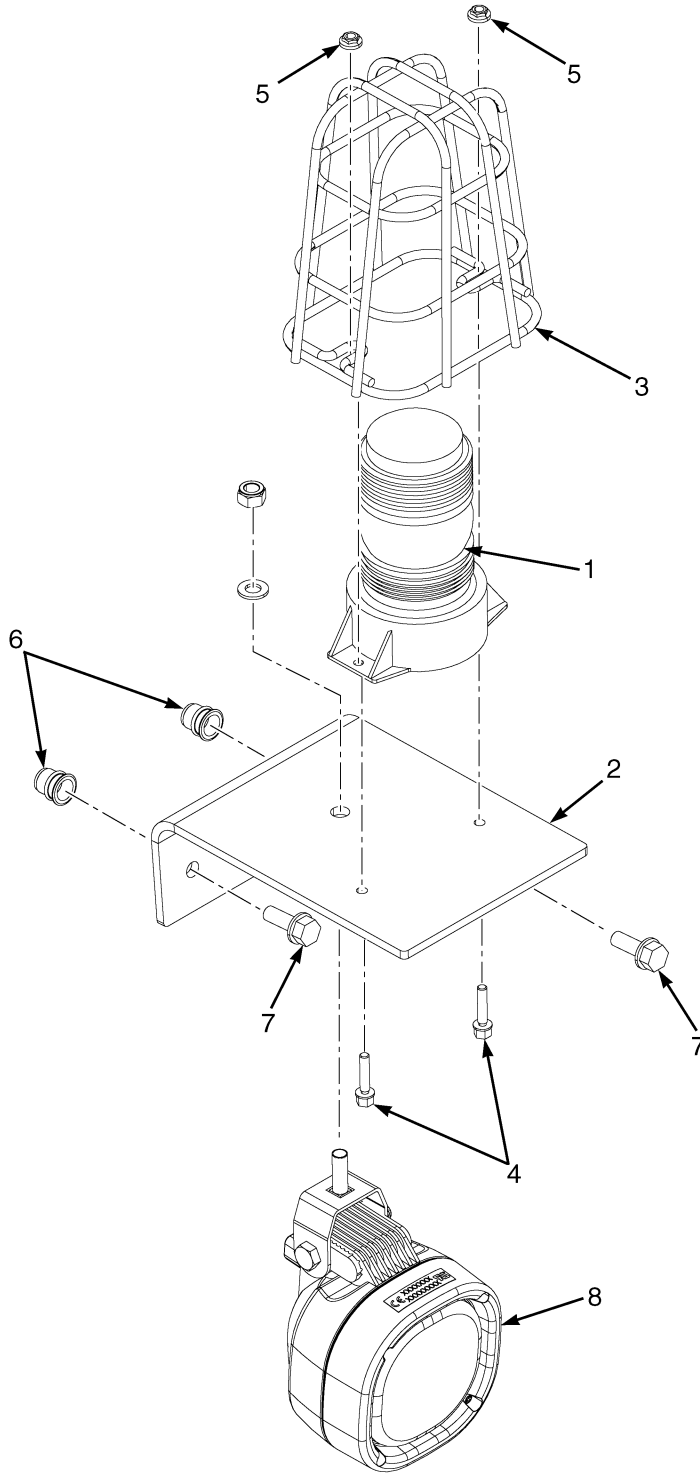
BP000130

ITEM	PART NO.	DESCRIPTION	QTY
------	----------	-------------	-----

ITEM	PART NO.	DESCRIPTION	QTY
1	2095325	Tail Light Base (LH)	1
2	2095472	Tail Light Base (RH)	1
3	1531558	Insert	4
4	1665758	Capscrew	4
5	1537551	Nut (Clip)	2
6	1672692	Screw	2
7	2056826	Reflector (Tail)	2
8	a 2095483	Tail Light (LED)	2
8	b 4602052	Light (Tail) (LED) (LED)	2

FOOTNOTES:**a** → PENDING PER ECN 106197**b** PENDING PER ECN 106197 →

STROBE LIGHT ASSEMBLY AND REAR WORK LIGHT (FIGURE 10-5)



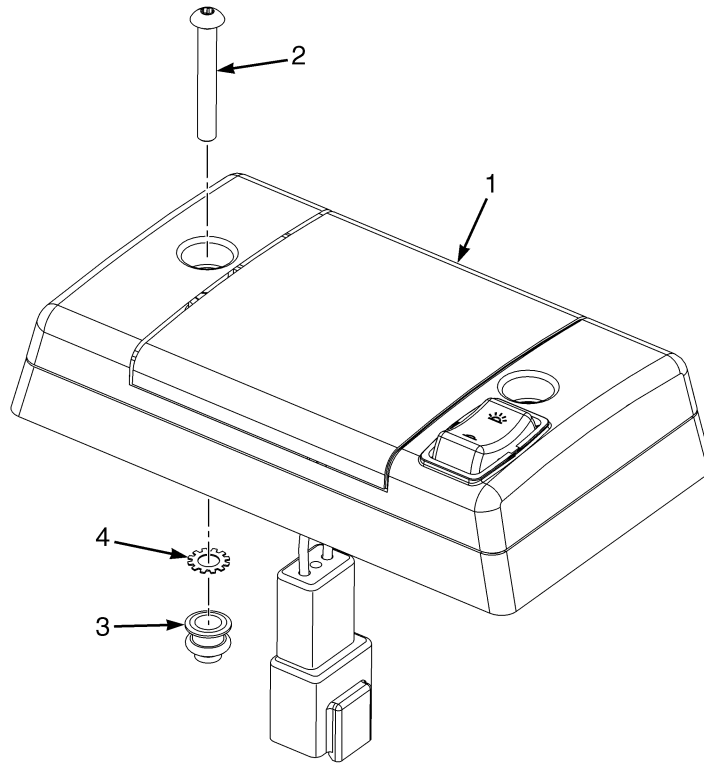
BP000126

STROBE LIGHT ASSEMBLY AND REAR WORK LIGHT

ITEM	PART NO.	DESCRIPTION	QTY
1	1691167	Strobe Light Assembly	1
1	1652290	Strobe Light (Amber LED)	1
1	1561559	Connector (2 Pin)	1
1	1561755	Connector (Secondary Lock)	1
1	1463138	Terminal Pin	1
2	1694537	Bracket Top Mount	1
2	1694539	Bracket Bottom Mount	1
3	1302024	Guard (Strobe Light)	1
4	1586759	Capscrew	2
5	1586428	Nut	2
6	1530243	Insert	2
7	1583611	Capscrew	2
8	2098968	Worklight (Rear) (Halogen)	1
8	1662409	Bulb (Clear) (55 W 1450 lm)	1
8	2107382	Head/Work Light (Rear) (LED) (LED)	1
	a 1382304	Switch (Rear Work Light 12V) (Rear Light)	1

FOOTNOTES:**a** Not Illustrated

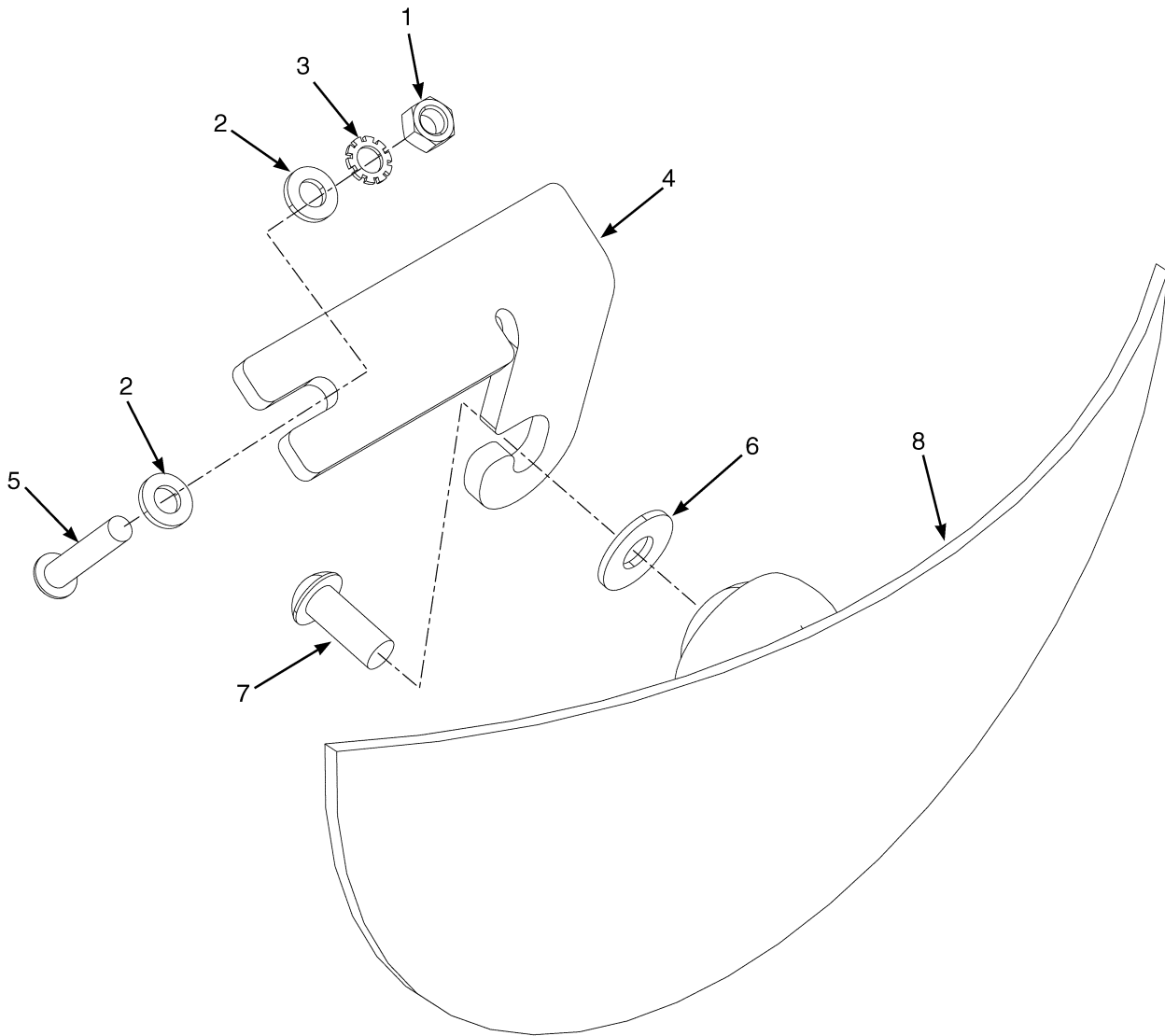
DOME LIGHT (FIGURE 10-6)



BP000492

ITEM	PART NO.	DESCRIPTION	QTY
1	2111852	Dome Light	1
2	1697553	Capscrew	2
3	1683346	Insert	2
4	296377	Washer	2

**MIRROR (FIGURE 10-7)
CONVEX REAR VIEW**

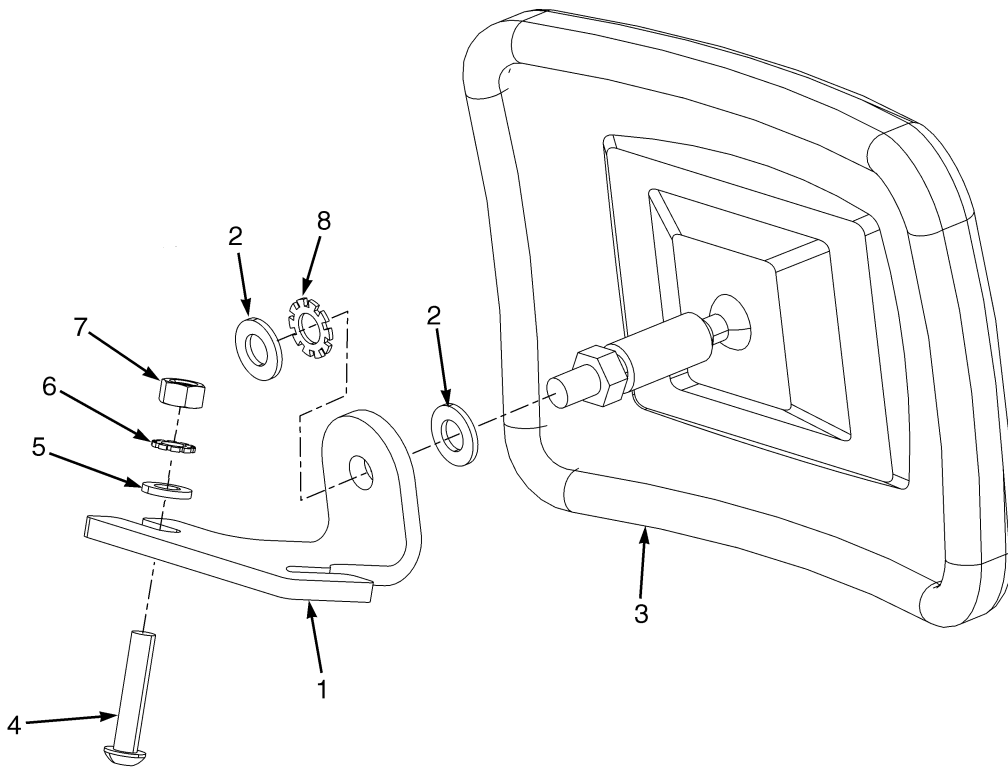


BP000204

**MIRROR
CONVEX REAR VIEW**

ITEM	PART NO.	DESCRIPTION	QTY
1	136687	Nut	2
2	1506738	Washer	2
3	296379	Washer	2
4	1697341	Bracket	1
4	2109811	Bracket (Alternate Part)	1
5	2071261	Capscrew	2
6	375629	Washer	1
7	369242	Capscrew	1
8	3112380	Mirror	1
8	2109975	Mirror (Alternate Part)	1

MIRROR (FIGURE 10-8) DUAL REAR VIEW

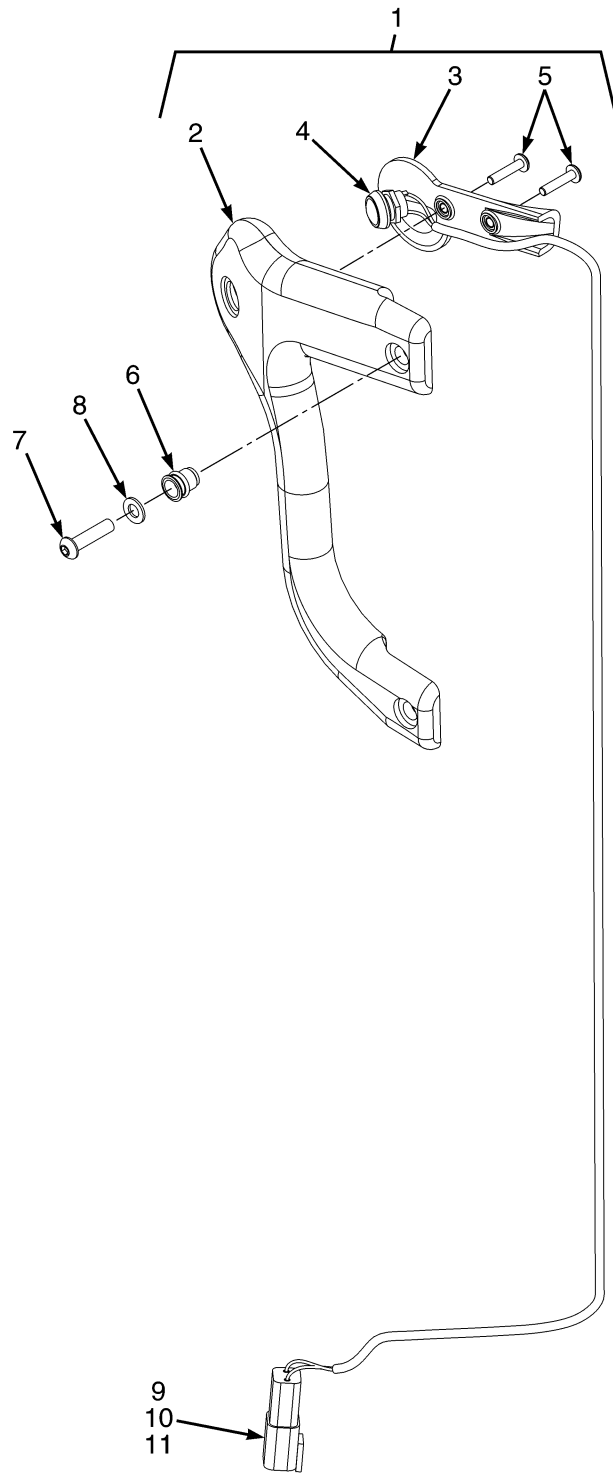


BP000446

**MIRROR
DUAL REAR VIEW**

ITEM	PART NO.	DESCRIPTION	QTY
1	2109560	Bracket	2
2	1581556	Washer	4
3	1301286	Mirror	2
4	2071261	Capscrew	4
5	1506738	Washer	4
6	296379	Washer	4
7	292653	Nut	4
8	296380	Washer	2

REVERSE HANDLE (FIGURE 10-9)



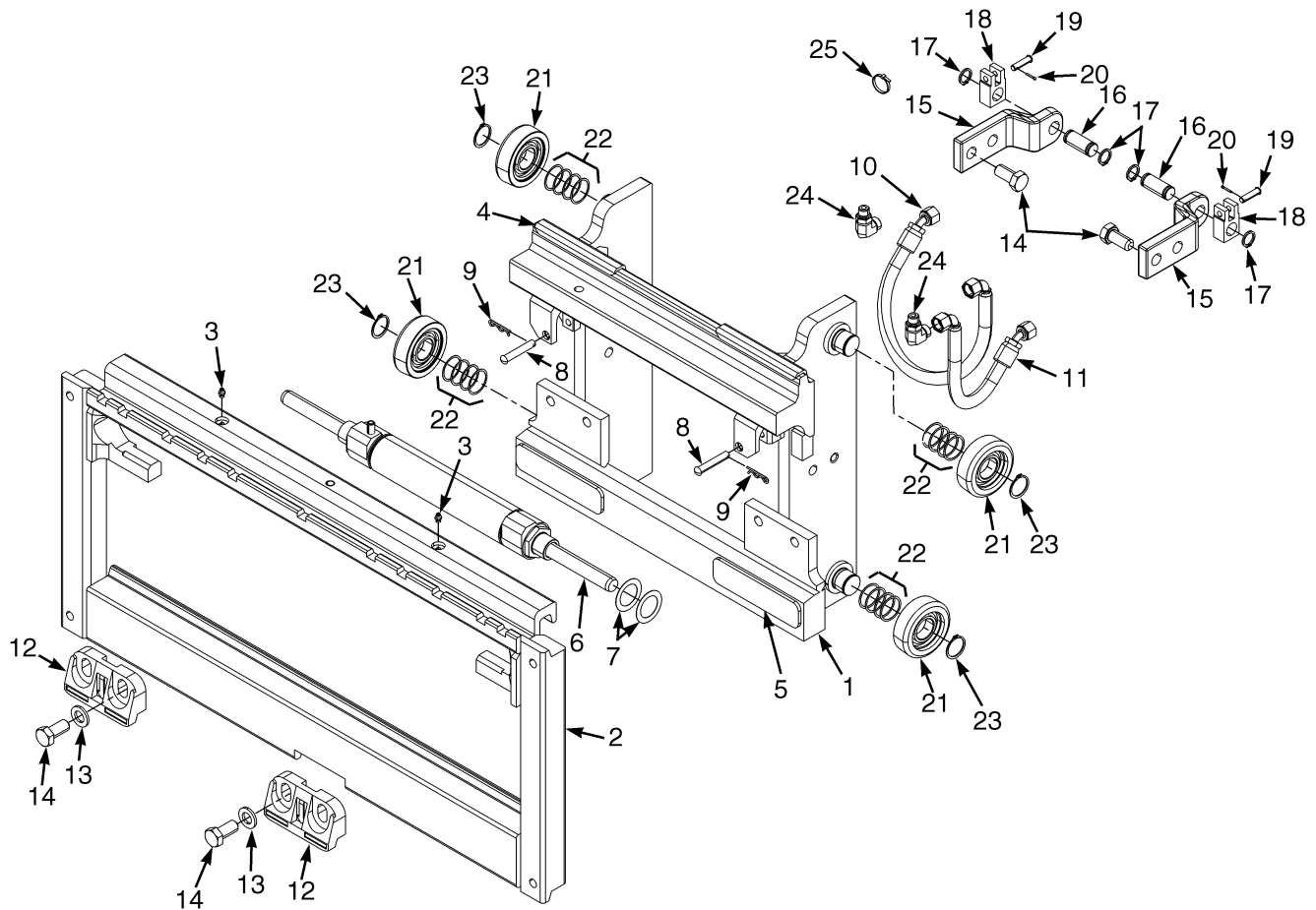
BP000281

REVERSE HANDLE

ITEM	PART NO.	DESCRIPTION	QTY
1	2108048	Handle (Assembly)	1
2	2108036	Handle	1
3	2107955	Handle (Bottom)	1
4	1566726	Push Button Switch	1
5	1708540	Screw	2
6	1531558	Insert	2
7	a 2071260	Capscrew	2
7	b 1527878	Capscrew	2
8	1506738	Washer	2
9	Connector Assembly	1
9	1493465	Connector (2 Pin)	1
10	1531312	Terminal	2
11	1330414	Connector (Secondary Lock)	1

FOOTNOTES:**a** → PENDING PER ECN 10396271**b** PENDING PER ECN 10396271 →

CARRIAGE ASSEMBLY (FIGURE 10-10) TWO STAGE LIMITED FREE LIFT - A270 — INTEGRAL SIDE-SHIFT



BP170383

CARRIAGE ASSEMBLY
TWO STAGE LIMITED FREE LIFT - A270 – INTEGRAL SIDE-SHIFT

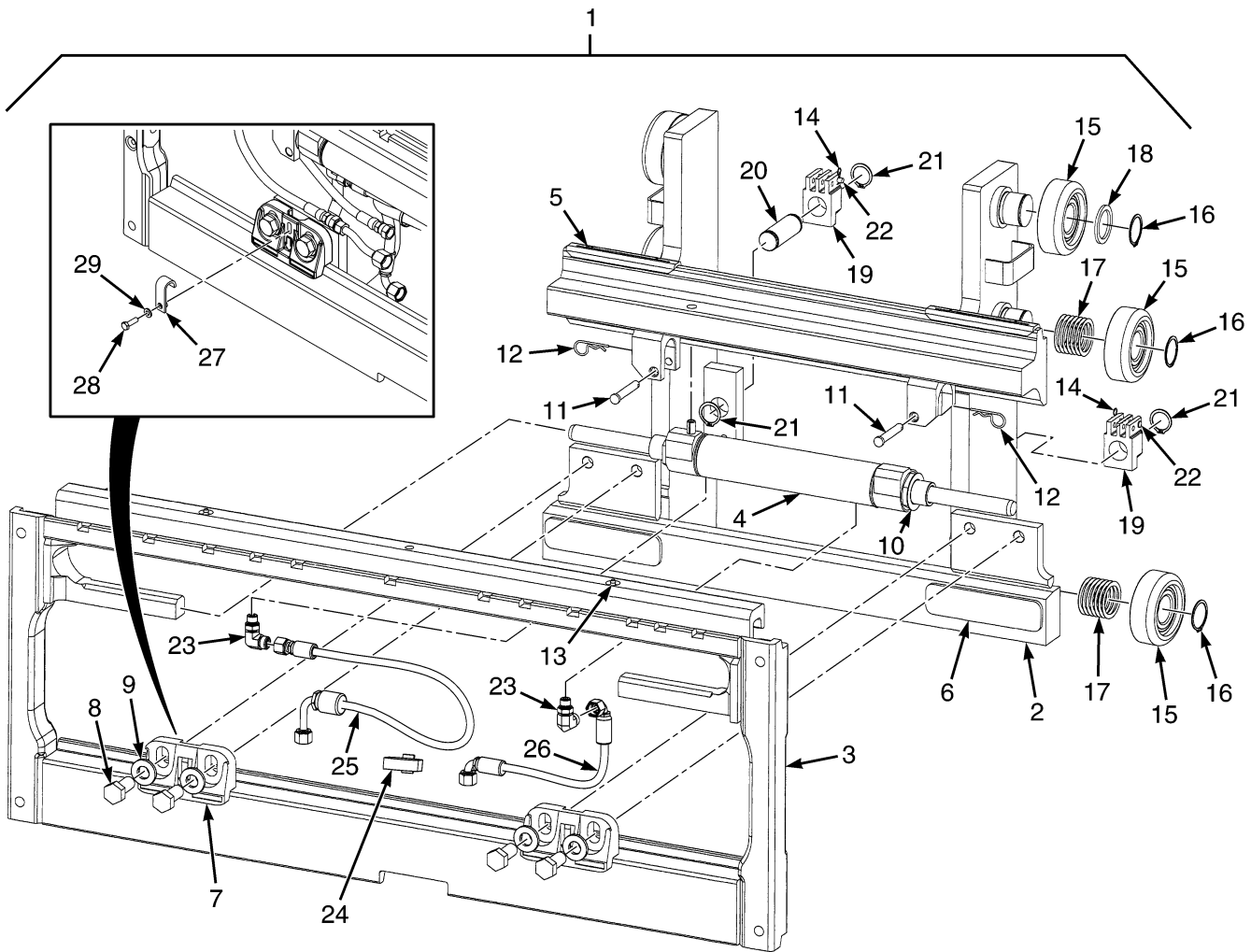
ITEM	PART NO.	DESCRIPTION	QTY
	2099686	Side-Shift Carriage Assembly	1
1	1602533	Carriage Wldmt (Inner)	1
1	1631449	Stubshaft	4
2	1489009		
	4033953	Frame	1
3	16041	Grease Fitting	1
4	2043531	Bearing Strip (Upper)	2
5	2043533	Bearing Strip (Lower)	2
6	2043528	Sideshift Cylinder Assembly (☞Figure 10-19).....	1
7	1498326	Shim	AR
8	1401746	Pin	2
9	18832	Cotter Pin	2
10	2099689	Hose Assy	1
11	2103293	Hose Assy	1
12	4611363	Hook	1
13	1581854	Washer	4
14	1581833	Capscrew	4
15	1631161	Chain Anchor	2
16	1631163	Pin	2
17	131357	Snap Ring	4
18	1631162	Chain Anchor	2
19	1631164	Pin	2
20	15211	Cotter Pin	2
21	1604900	Load Roller	4
21	b 1604901	Load Roller	4
22	1631492	Shim	24
23	58908	Snap Ring	4
24	1487063	Fitting	2
24	265787	O-Ring	1
24	16483	O-Ring	1
25	114312	Strap Clamp	1
	a 4611879	Carriage (Fork Positioner) (☞Figure 10-16).....	1

FOOTNOTES:

a Not Illustrated

b Optional

CARRIAGE ASSEMBLY (FIGURE 10-11) TWO STAGE LIMITED FREE LIFT - C661 — INTEGRAL SIDE-SHIFT



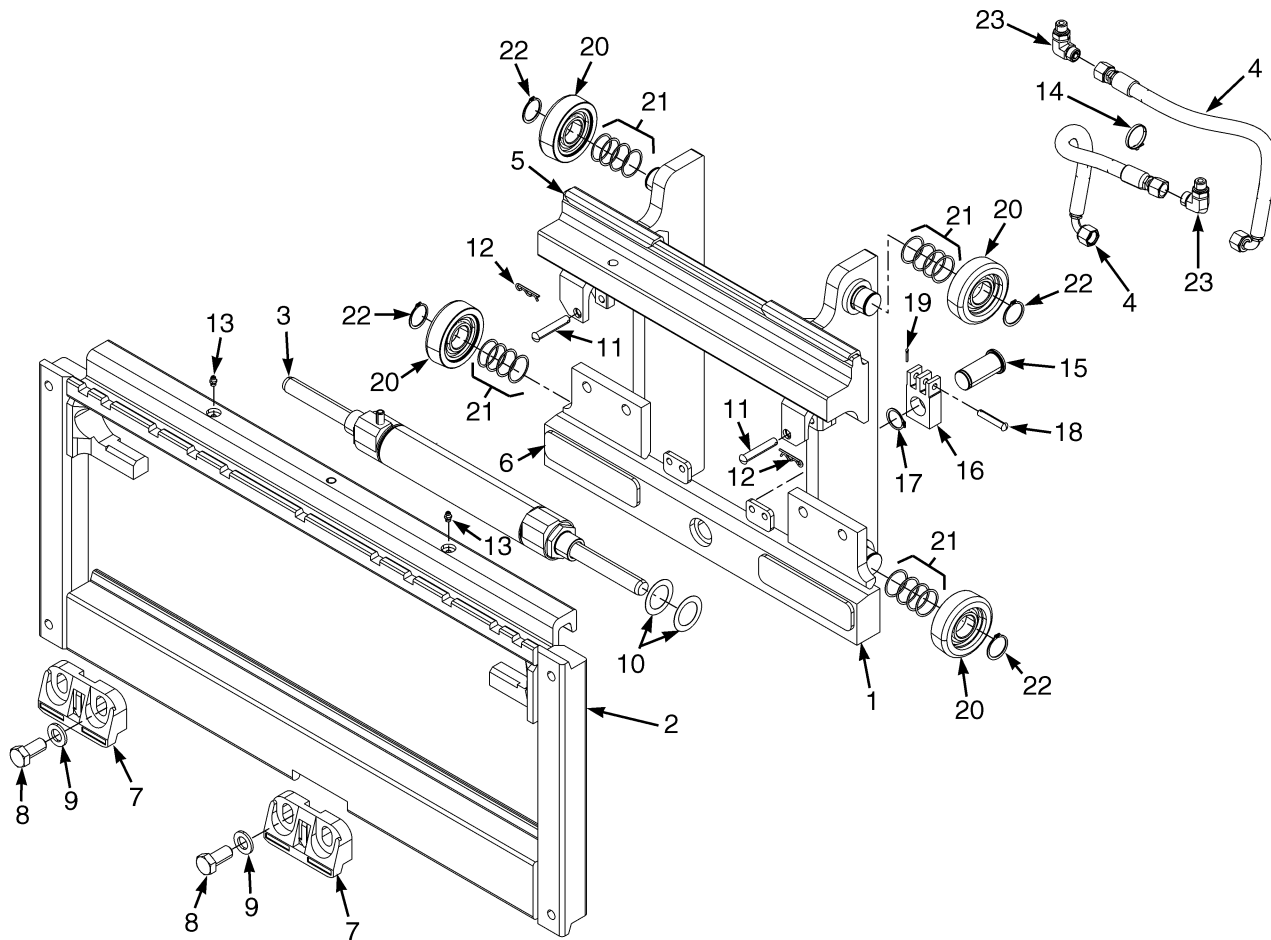
BP170388

CARRIAGE ASSEMBLY
TWO STAGE LIMITED FREE LIFT - C661 – INTEGRAL SIDE-SHIFT

ITEM	PART NO.	DESCRIPTION	QTY
1	2056867	Side-Shift Carriage (Assembly)	1
2	1529598	Carriage Wldmt (Inner)	1
2	1345216	Stubshaft	6
3	1489010		
	4033954	Frame	1
4	2043528	Sideshift Cylinder Assembly (☞Figure 10-19).....	1
5	2043531	Bearing Strip (Upper)	2
6	2043533	Bearing Strip (Lower)	2
7	4611363	Hook	2
8	1581833	Capscrew	4
9	1581854	Washer	4
10	1498326	Shim	AR
11	1401746	Pin	2
12	18832	Cotter Pin	2
13	16041	Grease Fitting	2
14	15211	Cotter Pin	2
15	1333399	Load Roller ("B") (92.18 mm/91.92 mm)	6
16	58901	Snap Ring	6
17	129387	Shim (0.508 mm)	28
18	366115	Spacer	2
19	1369345	Chain Anchor (Dual Hole)	2
20	1353408	Pin	2
21	131358	Snap Ring	4
22	1514866	Pin	2
23	1487063	Fitting	2
23	265787	O-Ring	1
23	16483	O-Ring	1
24	114312	Strap Clamp	1
25	4612516	Hose Assy	1
26	4612515	Hose Assy	1
26	b 4617344	Hose Assy	1
27	4027695	Bracket Wldmt	2
27	4047980	Bracket Wldmt (Alternate)	2
28	1670032	Capscrew	2
29	1673754	Washer	2
	a 4611878	Carriage (Fork Positioner) (☞Figure 10-16).....	1

FOOTNOTES:**a** Not Illustrated**b** PENDING PER ECN 10610831 →

CARRIAGE ASSEMBLY (FIGURE 10-12) THREE STAGE FULL FREE LIFT - A271 — INTEGRAL SIDE-SHIFT



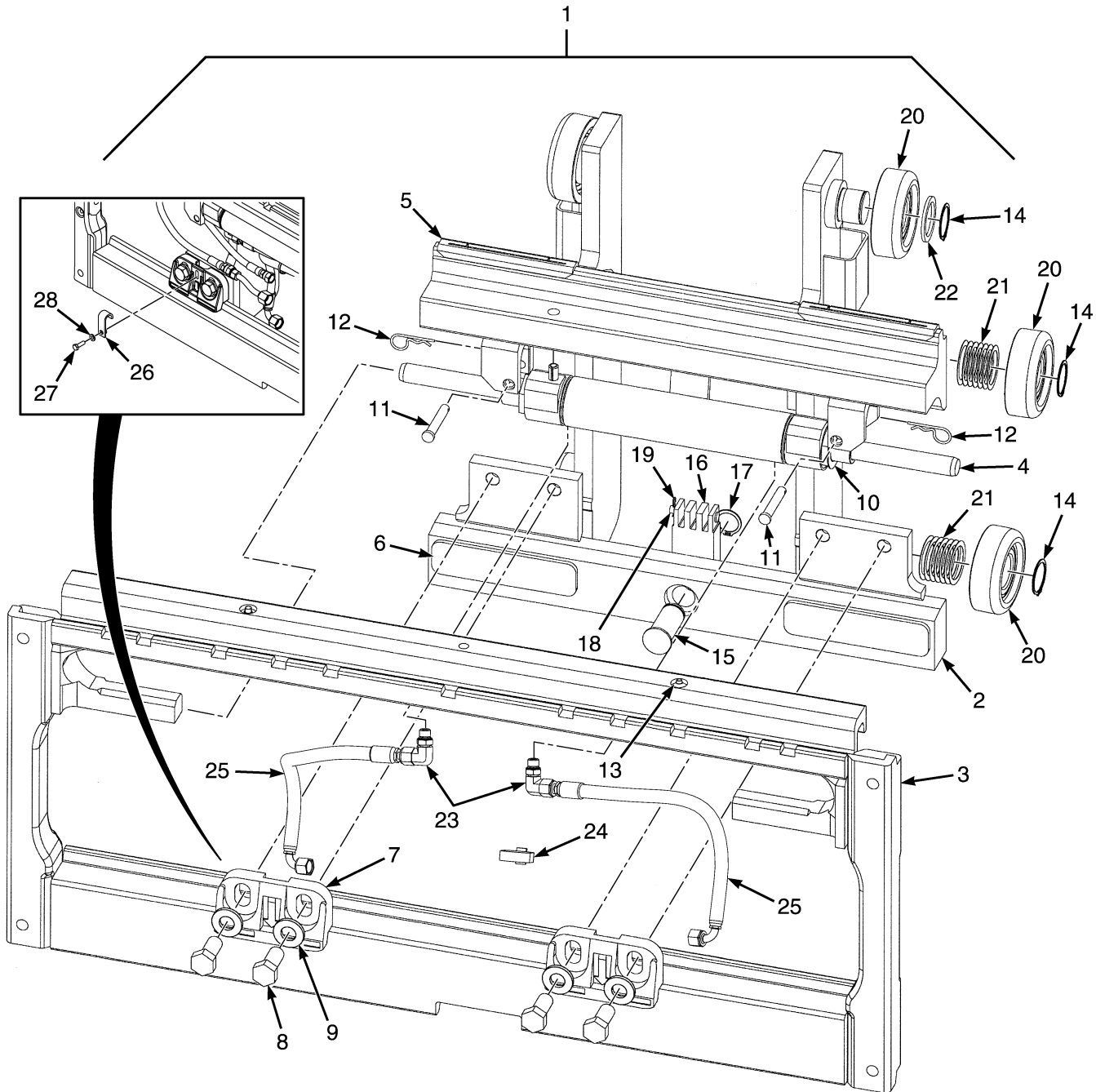
BP170384

CARRIAGE ASSEMBLY
THREE STAGE FULL FREE LIFT - A271 – INTEGRAL SIDE-SHIFT

ITEM	PART NO.	DESCRIPTION	QTY
	2099687	Side-Shift Carriage Assembly	1
1	1602534	Carriage Wldmt (Inner)	1
1	1631449	Stubshaft	4
2	1489009		
	4033953	Frame	1
3	2043528	Sideshift Cylinder Assembly (☞Figure 10-19).....	1
4	4612250	Hose Assy	2
5	2043531	Bearing Strip (Upper)	2
6	2043533	Bearing Strip (Lower)	2
7	4611363	Hook	2
8	1581833	Capscrew	4
9	1581854	Washer	4
10	1498326	Shim	AR
11	1401746	Pin	2
12	18832	Cotter Pin	2
13	16041	Grease Fitting	2
14	114312	Strap Clamp	1
15	321519	Pin	1
16	1631499	Anchor	1
17	131358	Snap Ring	1
18	315634	Chain Anchor Pin	1
19	15211	Cotter Pin	2
20	1604900	Load Roller	4
20	b 1604901	Load Roller	4
21	1631492	Shim	AR
22	58908	Snap Ring	4
23	1487059	Fitting	2
	a 4611879	Carriage (Fork Positioner) (☞Figure 10-17).....	1

FOOTNOTES:**a** Not Illustrated**b** Optional

CARRIAGE ASSEMBLY (FIGURE 10-13) THREE STAGE FULL FREE LIFT - C662 — INTEGRAL SIDE-SHIFT



BP170389

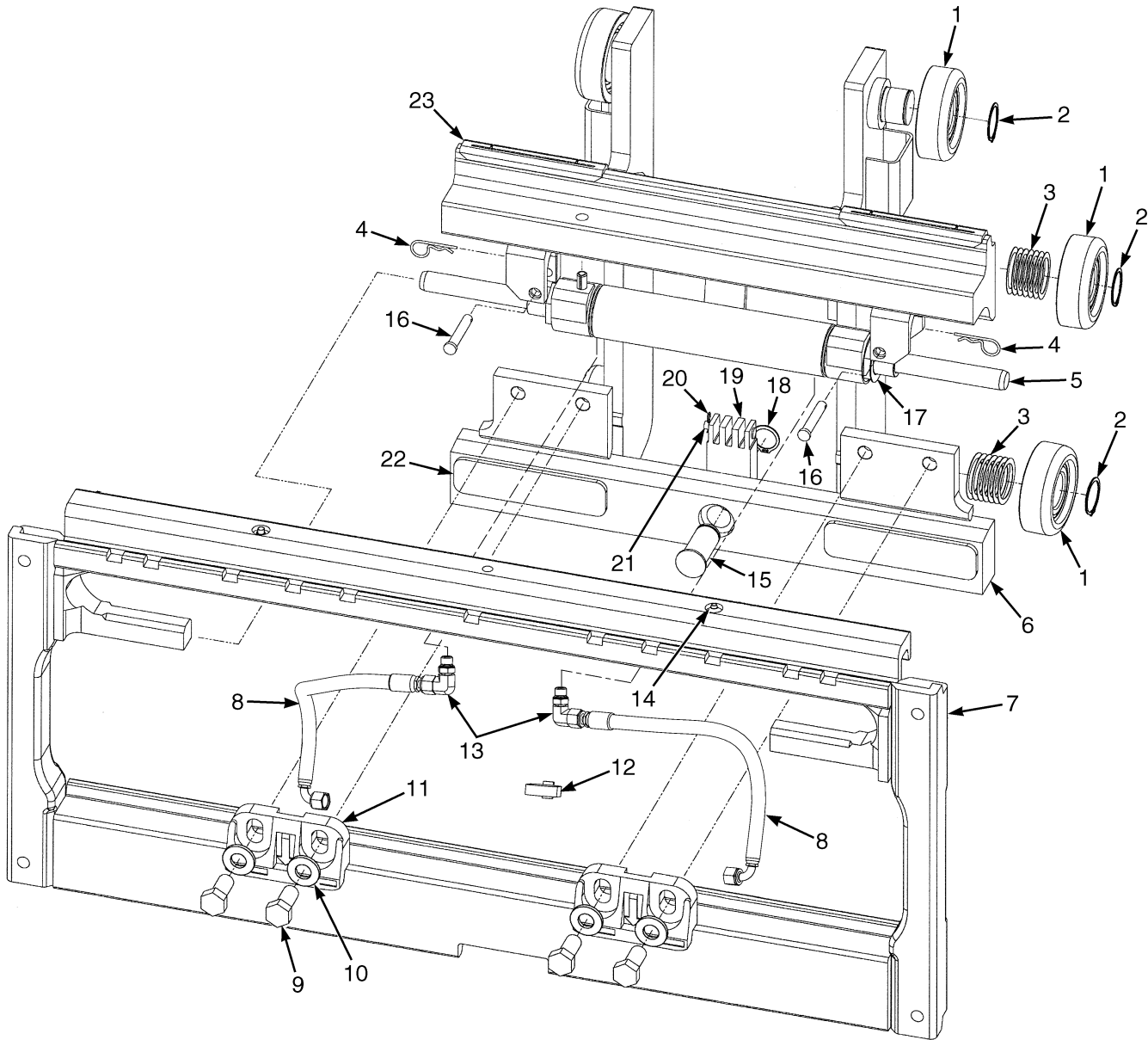
CARRIAGE ASSEMBLY
THREE STAGE FULL FREE LIFT - C662 – INTEGRAL SIDE-SHIFT

ITEM	PART NO.	DESCRIPTION	QTY
1	2103962	Side-Shift Carriage (Assembly)	1
2	1621059	Carriage Wldmt (Inner)	1
2	1345216	Stubshaft	6
3	1489010		
	4033954	Frame	1
4	2043528	Sideshift Cylinder Assembly (☞Figure 10-19).....	1
5	2043531	Bearing Strip (Upper)	2
6	2043533	Bearing Strip (Lower)	2
7	2043530	Hook (Lower)	2
8	1581833	Capscrew	4
9	1581854	Washer	4
10	1498326	Shim	AR
11	1401746	Pin	2
12	18832	Cotter Pin	2
13	16041	Grease Fitting	2
14	58901	Snap Ring	6
15	321205	Pin	1
16	1481258	Chain Anchor	1
17	131358	Snap Ring	1
18	1340687	Pin	1
19	15211	Cotter Pin	1
20	1363272	Load Roller (82.18 mm)	6
21	129387	Shim (0.508 mm)	28
22	366115	Spacer	2
23	1487059	Fitting	2
24	114312	Strap Clamp	1
25	4612250	Hose Assy	1
26	4027695	Bracket Wldmt	2
26	4047980	Bracket Wldmt (Alternate)	2
27	1670032	Capscrew	2
28	1673754	Washer	2
	a 4611878	Carriage (Fork Positioner) (☞Figure 10-17).....	1

FOOTNOTES:

a Not Illustrated

CARRIAGE ASSEMBLY (FIGURE 10-14) TWO STAGE FULL FREE- LIFT-A272 — INTEGRAL SIDE-SHIFT



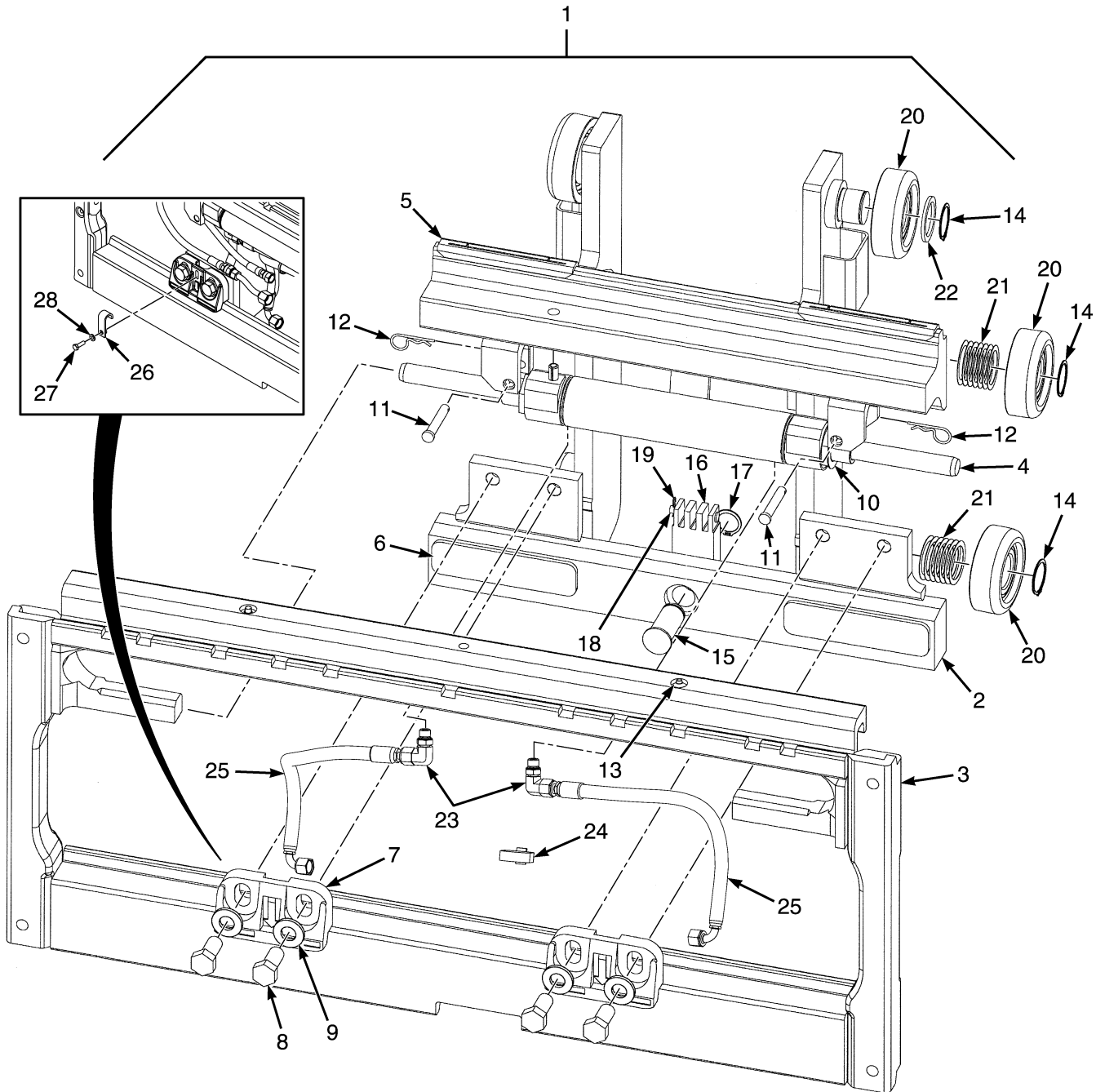
BP170466

CARRIAGE ASSEMBLY
TWO STAGE FULL FREE- LIFT-A272 – INTEGRAL SIDE-SHIFT

ITEM	PART NO.	DESCRIPTION	QTY
	2099688	Side-Shift Carriage	1
1	1604900	Load Roller	4
1	1604901	Load Roller	4
2	58908	Snap Ring	4
3	1631492	Shim	24
4	18832	Cotter Pin	2
5	2043528	Sideshift Cylinder Assembly	1
6	1602535	Carriage Wldmt	1
6	1631449	Stubshaft	4
7	1489009		
	4033953	Frame	1
8	4612250	Hose Assy	2
9	1581833	Capscrew	4
10	1581854	Washer	4
11	4611363	Hook	2
12	114312	Strap Clamp	1
13	1487059	Fitting	2
14	16041	Grease Fitting	2
15	321519	Pin	1
16	1401746	Pin	2
17	1498326	Shim	3
18	131358	Snap Ring	1
19	1631499	Anchor	1
20	315634	Chain Anchor Pin	1
21	15211	Cotter Pin	2
22	2043533	Bearing Strip (Lower)	2
23	2043531	Bearing Strip (Upper)	2
	a 4611879	Carriage (Fork Positioner) (☞Figure 10-18).....	1

FOOTNOTES:**a** Not Illustrated

CARRIAGE ASSEMBLY (FIGURE 10-15) TWO STAGE FULL FREE LIFT - C663 — INTEGRAL SIDE-SHIFT



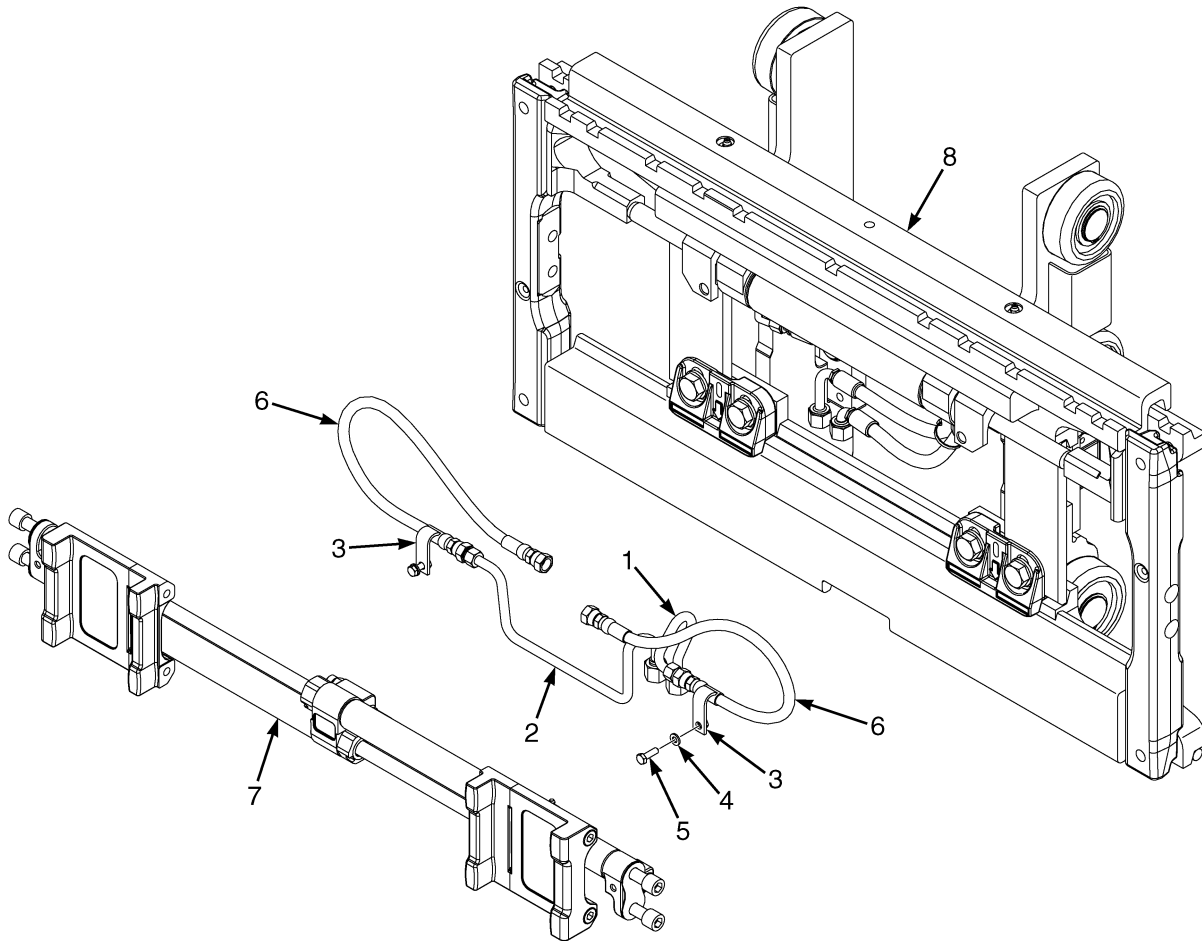
BP170389

CARRIAGE ASSEMBLY
TWO STAGE FULL FREE LIFT - C663 – INTEGRAL SIDE-SHIFT

ITEM	PART NO.	DESCRIPTION	QTY
1	2103963	Side-Shift Carriage (Assembly)	1
2	1621061	Carriage Wldmt (Inner)	1
2	1631449	Stubshaft	4
3	1489010		
	4033954	Frame	1
4	2043528	Sideshift Cylinder Assembly (☞Figure 10-19).....	1
5	2043531	Bearing Strip (Upper)	2
6	2043533	Bearing Strip (Lower)	2
7	2043530	Hook (Lower)	2
8	1581833	Capscrew	4
9	1581854	Washer	4
10	1498326	Shim	AR
11	1401746	Pin	2
12	18832	Cotter Pin	2
13	16041	Grease Fitting	2
14	58901	Snap Ring	6
14	b 1374797	Snap Ring	6
15	321205	Pin	1
16	1481258	Chain Anchor	1
17	131358	Snap Ring	1
18	1340687	Pin	1
19	15211	Cotter Pin	1
20	1333399	Load Roller ("B") (92.18 mm/91.92 mm)	6
20	b 1395169	Load Roller ("A") (91.80 mm/91.54 mm)	6
21	129387	Shim (0.508 mm)	28
22	366115	Spacer	2
23	1487059	Fitting	2
24	114312	Strap Clamp	1
25	4612250	Hose Assy	1
26	4027695	Bracket Wldmt	2
26	4047980	Bracket Wldmt (Alternate)	2
27	1670032	Capscrew	2
28	1673754	Washer	2
	a 4611879	Carriage (Fork Positioner) (☞Figure 10-18).....	1

FOOTNOTES:**a** Not Illustrated**b** Optional

INTEGRAL SIDE-SHIFT (FIGURE 10-16) FORK POSITIONER — TWO STAGE LIMITED FREE-LIFT



BP020033

**INTEGRAL SIDE-SHIFT
FORK POSITIONER – TWO STAGE LIMITED FREE-LIFT**

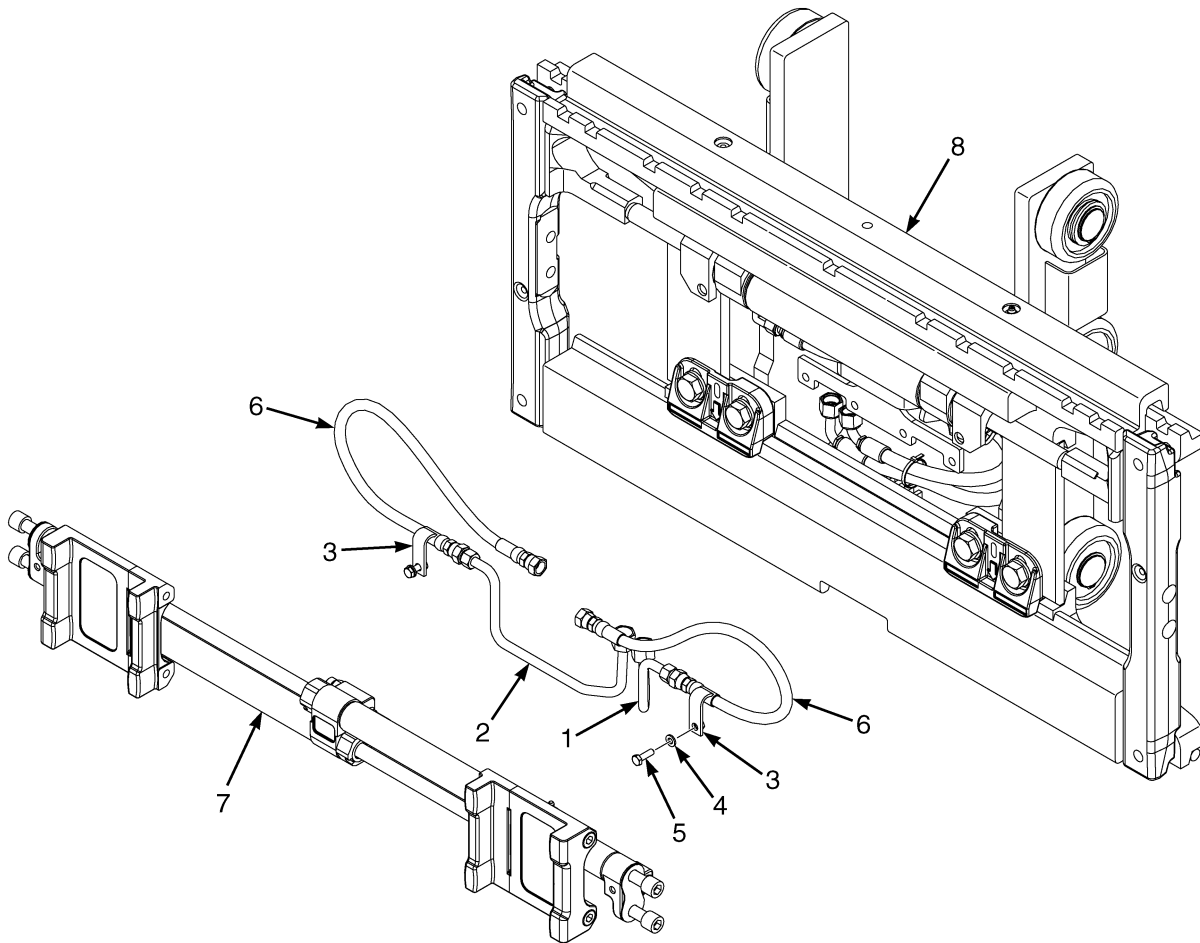
ITEM	PART NO.	DESCRIPTION	QTY
1	a 4612362	Tube Assy	1
1	b 4612358	Tube Assy	1
1	1487163	Fitting	1
2	a 4612361	Tube Assy	1
2	b 4612357	Tube Assy	1
2	1487163	Fitting	1
3	4027695	Bracket Wldmt	2
3	4047980	Bracket Wldmt (Alternate)	2
4	1673754	Washer	2
5	1670032	Capscrew	2
6	4610411	Hose Assy	2
7	a 4611879	Carriage (Fork Positioner)	1
7	b 4611878	Carriage (Fork Positioner)	1
7	4034634	Kit-Service Cylinder	1
7	4034635	Kit-Bearing	1
8	Carriage Assembly (☞ Figure 10-10, ☞ Figure 10-11).....	1

FOOTNOTES:

a A270 Mast

b C661 Mast

INTEGRAL SIDE-SHIFT (FIGURE 10-17) FORK POSITIONER — THREE STAGE FULL FREE-LIFT



BP020032

**INTEGRAL SIDE-SHIFT
FORK POSITIONER – THREE STAGE FULL FREE-LIFT**

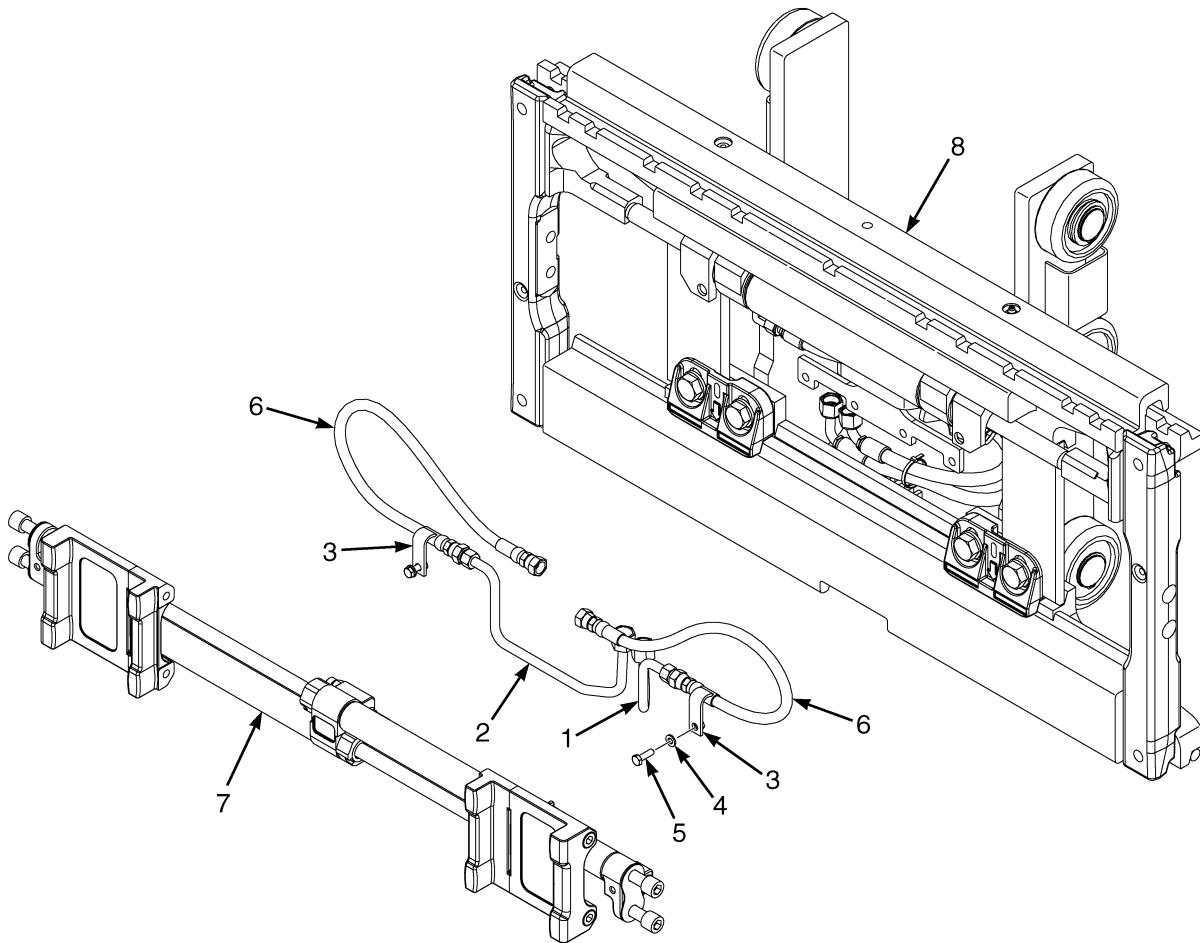
ITEM	PART NO.	DESCRIPTION	QTY
1	a 4611912	Tube Assy	1
1	b 4610328	Tube Assy	1
1	1487163	Fitting	1
2	a 4611912	Tube Assy	1
2	b 4610329	Tube Assy	1
2	1487163	Fitting	1
3	4027695	Bracket Wldmt	2
3	4047980	Bracket Wldmt (Alternate)	2
4	1673754	Washer	2
5	1670032	Capscrew	2
6	4610411	Hose Assy	2
7	a 4611879	Carriage (Fork Positioner)	1
7	b 4611878	Carriage (Fork Positioner)	1
7	4034634	Kit-Service Cylinder	1
7	4034635	Kit-Bearing	1
8	Carriage Assembly (☞ Figure 10-12, ☞ Figure 10-13).....	1

FOOTNOTES:

a A271 Mast

b C662 Mast

INTEGRAL SIDE-SHIFT (FIGURE 10-18) FORK POSITIONER — TWO STAGE FULL FREE-LIFT



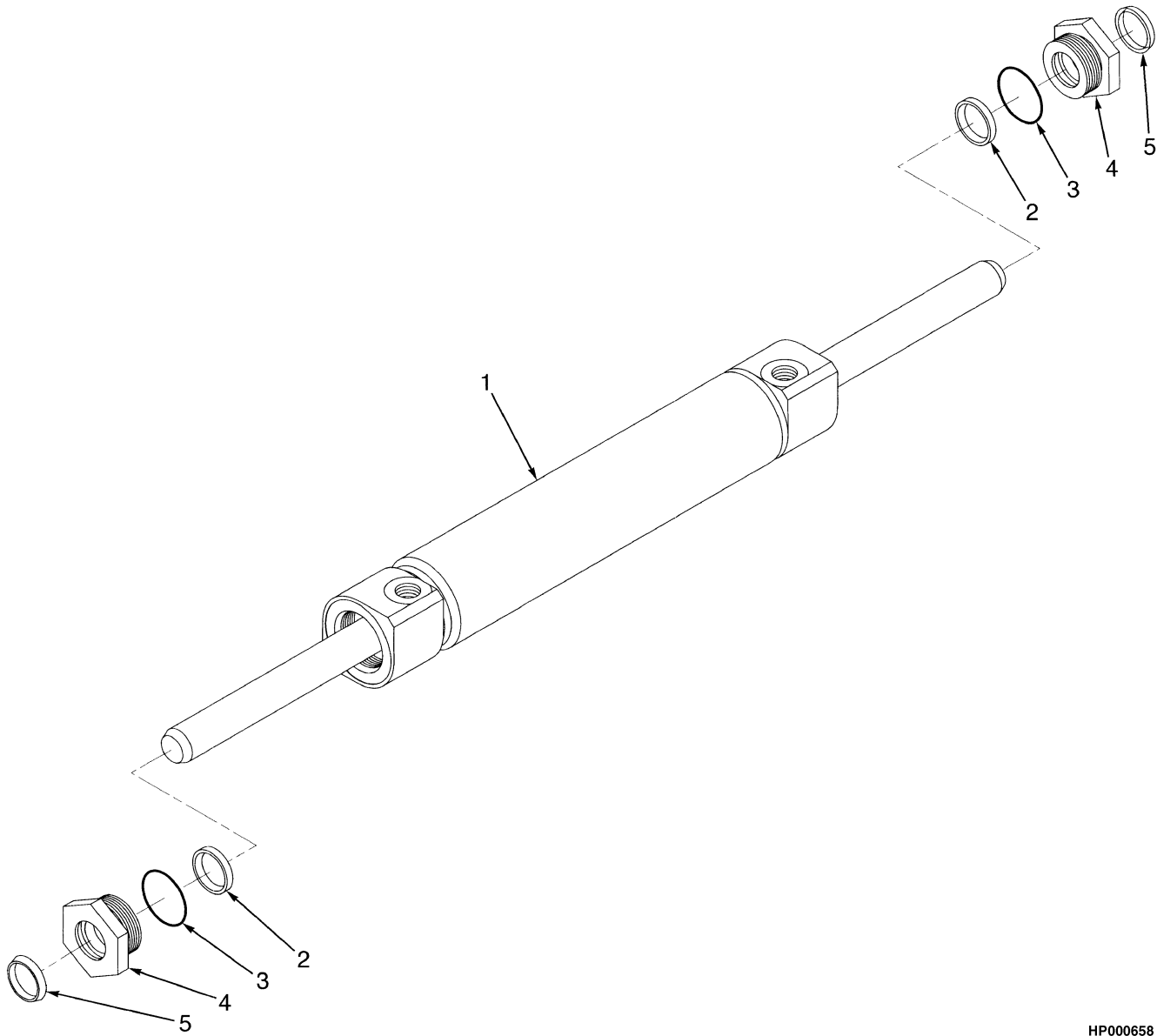
BP020032

**INTEGRAL SIDE-SHIFT
FORK POSITIONER – TWO STAGE FULL FREE-LIFT**

ITEM	PART NO.	DESCRIPTION	QTY
1	4611912	Tube Assy	1
1	1487163	Fitting	1
2	4611912	Tube Assy	1
2	1487163	Fitting	1
3	4027695	Bracket Wldmt	2
3	4047980	Bracket Wldmt (Alternate)	2
4	1673754	Washer	2
5	1670032	Capscrew	2
6	4610411	Hose Assy	2
7	a 4611879	Carriage (Fork Positioner)	1
7	b 4611878	Carriage (Fork Positioner)	1
7	4034634	Kit-Service Cylinder	1
7	4034635	Kit-Bearing	1
8	Carriage Assembly (☞ Figure 10-15, ☞ Figure 10-14).....	1

FOOTNOTES:**a** A272 Mast**b** C663 Mast

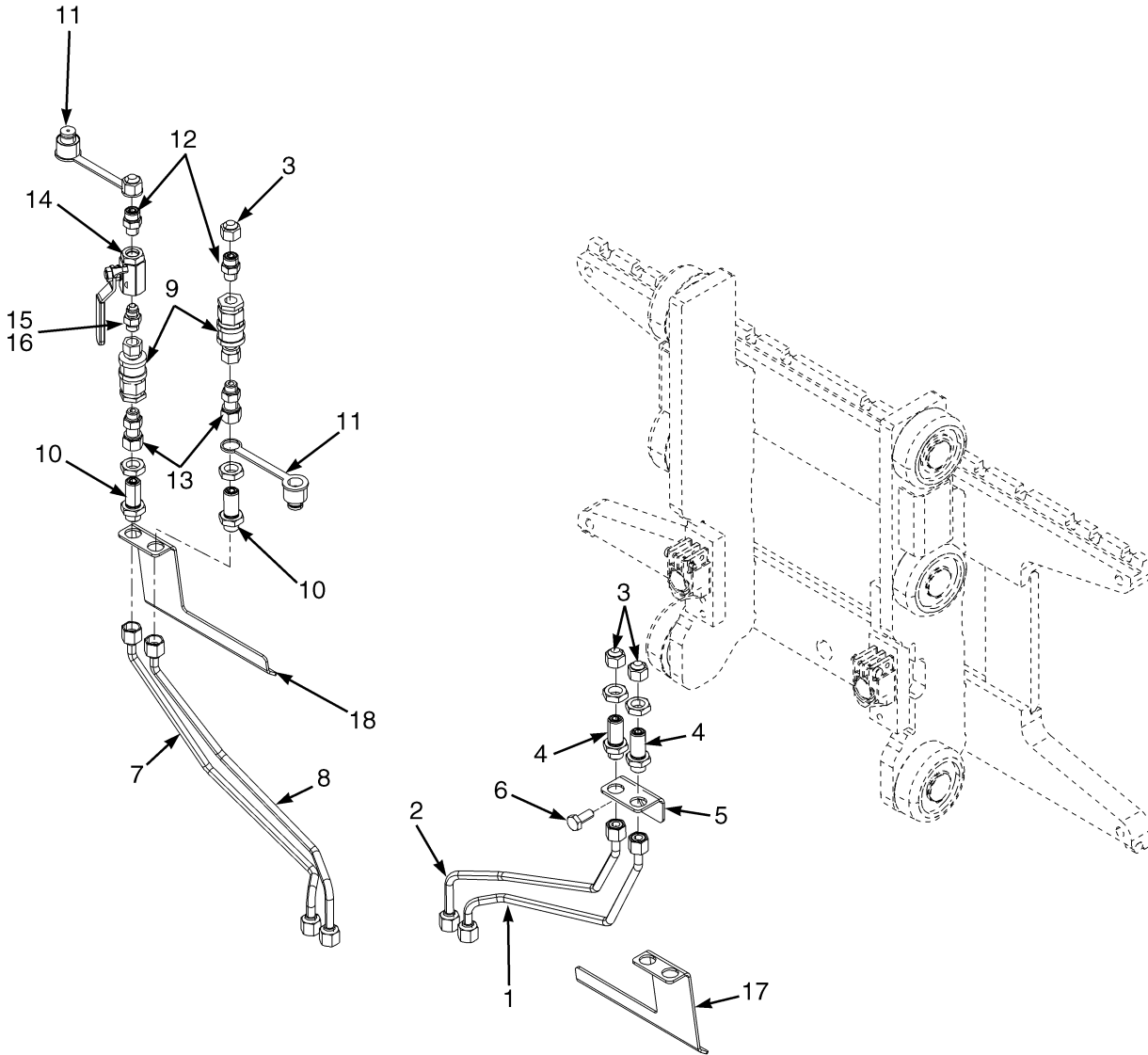
INTEGRAL SIDE-SHIFT CYLINDER (FIGURE 10-19)



HP000658

ITEM	PART NO.	DESCRIPTION	QTY
	2043528	Sideshift Cylinder Assembly	1
1	1489016	Sideshift Cylinder	1
2	1489037	Rod Seal	2
3	1489035	O-Ring	2
4	1498325	Retainer	2
5	1489039	Rod Wiper	2
	1503096	Kit-Seal	1

AUXILIARY TUBE EXTENSIONS (FIGURE 10-20) TWO-STAGE LIMITED FREE-LIFT



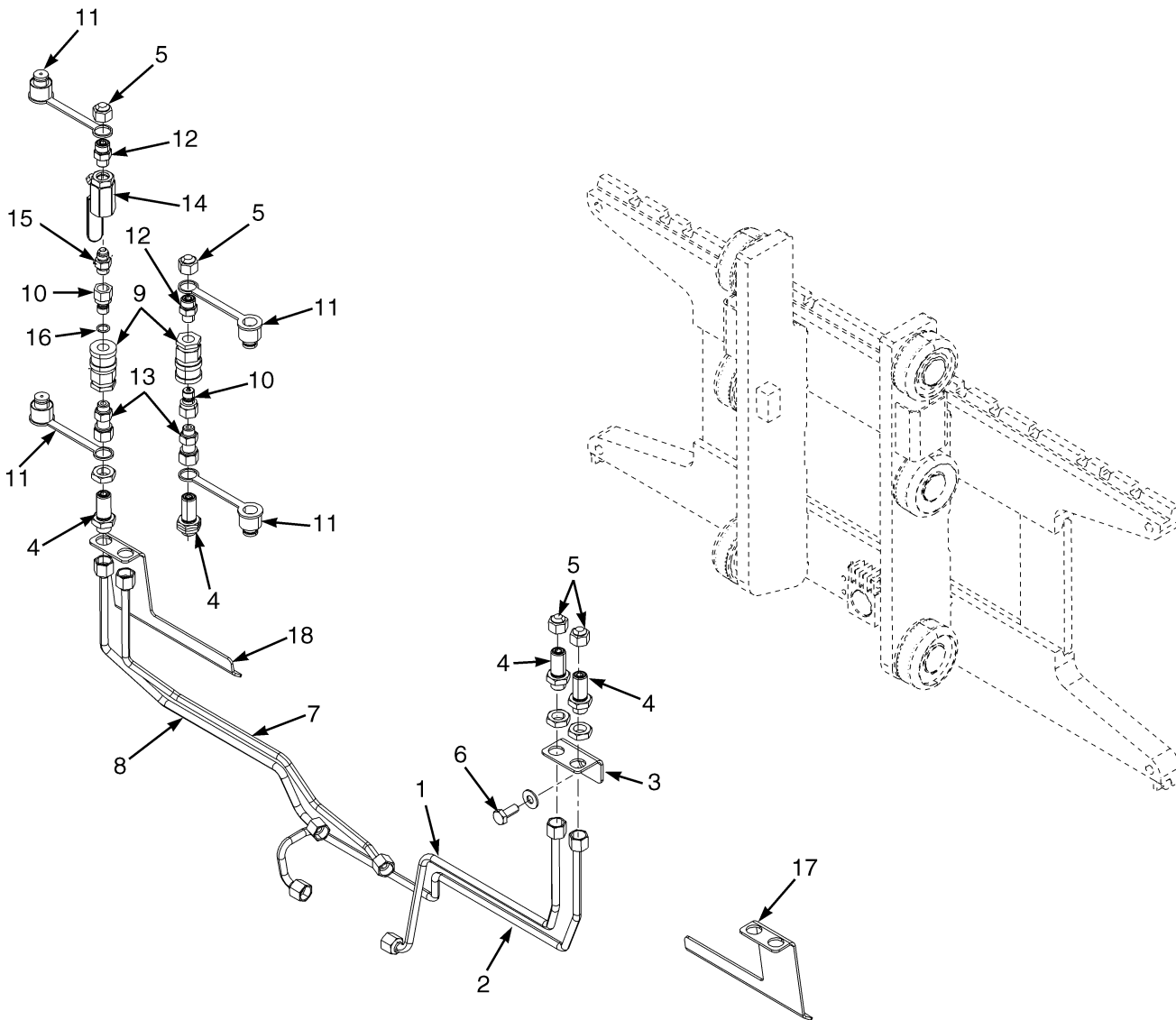
BP000447

**AUXILIARY TUBE EXTENSIONS
TWO-STAGE LIMITED FREE-LIFT****KEY:****A: 3 Function, without Quick Disconnect****B: 4 Function, without Quick Disconnect****C: 3 Function, with Quick Disconnect****D: 4 Function, with Quick Disconnect**

ITEM	PART NO.	DESCRIPTION	QTY			
			A	B	C	D
1	a 2104887	Tube Assy	1	1	1	1
1	b 1603274	Tube Assy	1	1	1	1
2	a 2104888	Tube Assy	1	1	1	1
2	b 1603275	Tube Assy	1	1	1	1
3	1529015	Cap	2	2	2	2
4	1528573	Fitting	2	2	2	2
4	265787	O-Ring	2	2	2	2
5	d 1707096	Bracket	1	1	1	1
6	293626	Capscrew	1	1	1	1
7	a 2104889	Tube Assy	1	..	1
7	b 1603277	Tube Assy	1	..	1
8	a 2104890	Tube Assy	1	..	1
8	b 1603276	Tube Assy	1	..	1
9	1483663	Quick Disconnect Fitting	2	..	2
10	1483664	Fitting	2	..	2
11	1483661	Dust Cap	2	..	2
12	1486740	Fitting	2	..	2
12	265787	O-Ring	1	1	1	1
12	16483	O-Ring	1	1	1	1
13	1549715	Fitting	2	..	2
13	265787	O-Ring	1	1	1	1
13	16483	O-Ring	1	1	1	1
14	2081418	Drain Valve	1	..	1
15	16540	Connector	1	..	1
16	16483	O-Ring	1	..	1
17	c 1549717	Bracket	1	1	1	1
18	c 1549718	Bracket	1	1	1	1

FOOTNOTES:**a** Used on A270 mast**b** Used on C661 mast**c** With ISS carriage**d** With standard carriage

AUXILIARY TUBE EXTENSIONS (FIGURE 10-21) TWO AND THREE STAGE FULL FREE-LIFT



BP000448

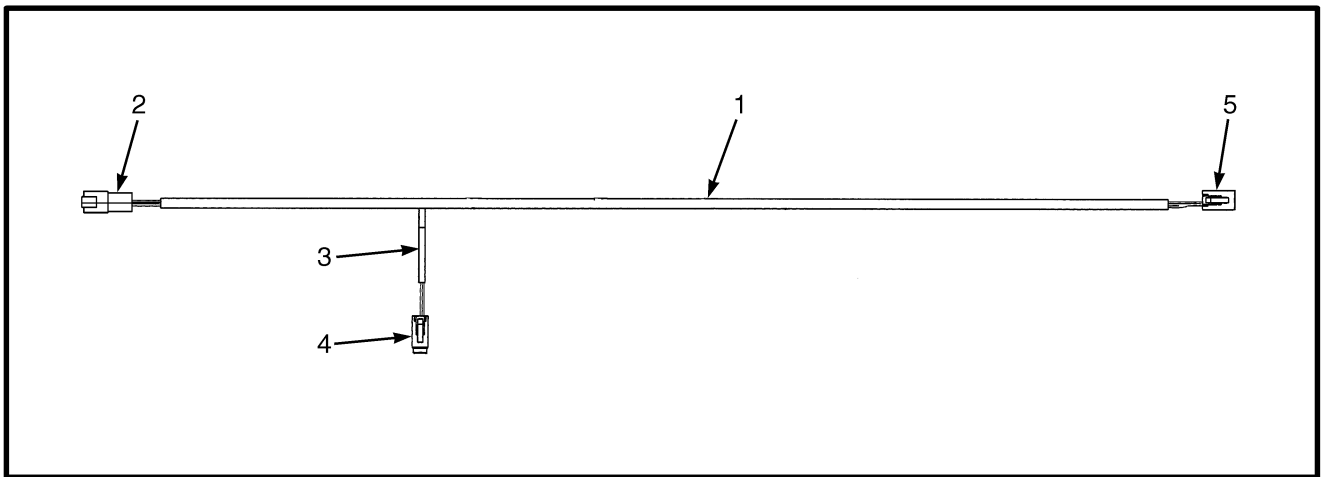
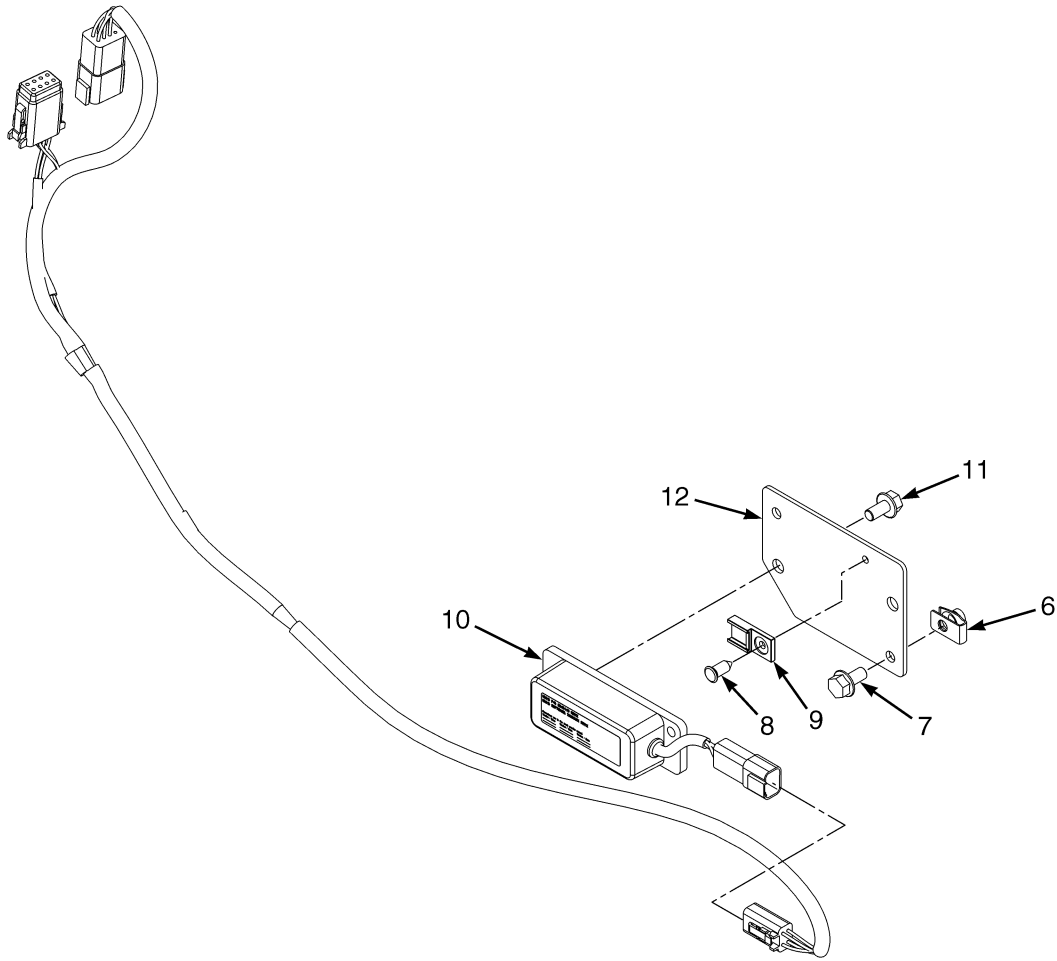
AUXILIARY TUBE EXTENSIONS TWO AND THREE STAGE FULL FREE-LIFT

KEY:**A: 3 Function, without Quick Disconnect****B: 4 Function, without Quick Disconnect****C: 3 Function, with Quick Disconnect****D: 4 Function, with Quick Disconnect**

ITEM	PART NO.	DESCRIPTION	QTY			
			A	B	C	D
1	a 2104951	Tube Assy	1	1	1	1
1	b 2104877	Tube Assy	1	1	1	1
1	1487163	Fitting	2	2	2	2
1	265787	O-Ring	1	1	1	1
2	a 2104952	Tube Assy	1	1	1	1
2	b 2104878	Tube Assy	1	1	1	1
2	1487163	Fitting	2	2	2	2
2	265787	O-Ring	1	1	1	1
3	d 1707096	Bracket	1	1	1	1
4	1528573	Fitting	2	2	2	2
4	265787	O-Ring	2	2	2	2
5	1529015	Cap	2	2	2	2
6	293626	Capscrew	1	1	1	1
7	a 2104953	Tube Assy	1	..	1
7	b 2104879	Tube Assy	1	..	1
7	1487163	Fitting	2	..	2
7	265787	O-Ring	1	1	1	1
8	a 2104954	Tube Assy	1	..	1
8	b 2104880	Tube Assy	1	..	1
8	1487163	Fitting	2	..	2
8	265787	O-Ring	1	1	1	1
9	1483663	Quick Disconnect Fitting	2	2
10	1483664	Fitting	2	2
11	1483661	Dust Cap	4	4
12	1486740	Fitting	2	2
12	265787	O-Ring	1	1	1	1
12	16483	O-Ring	1	1	1	1
13	1549715	Fitting	2	2
13	265787	O-Ring	1	1	1	1
13	16483	O-Ring	1	1	1	1
14	2081418	Drain Valve	1	1
15	16540	Connector	1	1
16	16483	O-Ring	1	1
17	c 1549717	Bracket	1	1	1	1
18	c 1549718	Bracket	1	1	1	1

FOOTNOTES:**a** Used with A271 and A272 masts**b** Used with C662 mast**c** With ISS carriage**d** With standard carriage

IMPACT SENSOR (FIGURE 10-22)



BP000490

IMPACT SENSOR

ITEM	PART NO.	DESCRIPTION	QTY
1	2108356	Wire Harness	1
2	Main Harness Connector	1
2	1541988	Connector (8 Pin)	1
2	1541989	Connector (Secondary Lock)	1
2	1463140	Terminal (Pin)	7
2	1484377	Plug	1
3	275494	Conduit	AR
4	Display Harness Connector	1
4	1484377	Plug	1
4	1463141	Terminal (Socket)	7
4	1541992	Connector	1
4	1541991	Connector	1
5	Impact Sensor	1
5	1330434	Terminal	4
5	1489657	Connector	1
5	1489656	Connector (4-Way)	1
6	1566420	Nut	2
7	1527876	Capscrew	2
8	1582464	Fastener	1
9	1500912	Clip	1
10	4601819	Sensor (Impact)	1
11	1527879	Capscrew	2
12	4008592	Bracket	1

SECTION 11 FIELD SERVICE KITS

DESCRIPTION	PAGE
AUXILIARY TUBE EXTENSION KIT	11-2
CAB KITS	
WHEN SELECTING ANY CAB KIT THE APPROPRIATE INSTALLATION KIT SHOULD ALSO BE SELECTED	11-3
HEADER HOSE CONVERSION KITS	
THREE STAGE FULL FREE-LIFT (→ S/N A935B01868H)	11-10
THREE STAGE FULL FREE-LIFT (S/N A935B01869H →)	11-12
TWO STAGE FULL FREE- LIFT - C663 (→ S/N A935B01868H)	11-14
TWO STAGE FULL FREE- LIFT - C663 (S/N A935B01869H →)	11-15
TWO STAGE LIMITED FREE LIFT (S/N A935B01869H →)	11-8
TWO STAGE LIMITED FREE-LIFT (→ S/N A935B01868H)	11-6
HYDRAULIC CONVERSION KITS	11-2
HYDRAULIC HOSE CONVERSION KITS	11-2
LIGHT/ALARM ADD-ON OPTIONS KITS	11-4
MISCELLANEOUS ADD-ON OPTION KITS	11-4

HYDRAULIC HOSE CONVERSION KITS

DESCRIPTION	PART NUMBER
Kit -Conversion (Three Function Hoses, Manual Valve)	a1708434
Kit -Conversion (Four Function Hoses, Manual Valve)	a1708435
Kit -Conversion (All Auxiliary Hoses, Manual Valve)	a1708436
Kit -Conversion (Three Function Hoses, E-Hydraulic Valve)	a1708437
Kit -Conversion (4 Function Hoses, E-Hydraulic Valve)	a1708438
Kit -Conversion (All Auxiliary Hose, E-Hydraulic Valve)	a1708439
Kit -Conversion (Three Function Hoses, Manual Valve)	b4004023
Kit -Conversion (Four Function Hoses, Manual Valve)	b4004024
Kit -Conversion (All Auxiliary Hoses, Manual Valve)	b4004025
Kit -Conversion (Three Function Hoses, E-Hydraulic Valve)	b4004026
Kit -Conversion (Four Function Hoses, E-Hydraulic Valve)	b4004027
Kit -Conversion (All Auxiliary Hoses, E-Hydraulic Valve)	b4004028

FOOTNOTES:

- a** → S/N A935B01869H
b S/N A935B01869H →

AUXILIARY TUBE EXTENSION KIT

DESCRIPTION	PART NUMBER
Kit-Quick Disconnect Fitting Manual Hydraulics for Two Stage LFL Mast (C661 Mast Series)	1550257
Kit-Aux Tube Extension (3 Func. Class II-Standard Carriage 2 Stg LFL) (C661)	1603270
Kit-Aux Tube Extension (4 Func. Class II-Standard Carriage 2LFL) (C661)	1603271
Kit-Aux Tube Extension (3 Func. Class II-Integral Side-Shift 2 LFL) (C661)	1603272
Kit-Aux Tube Extension (4 Func. Class II-Integral Side-Shift 2 LFL) (C661)	1603273
Kit-Aux Tube Extension (C662/C663 3rd Function Std Carriage CL II, 2/3 FFL)	1622112
Kit-Aux Tube Extension (C662/C663 4th Function Std Carriage CLII 2/3 FFL)	1622113
Kit-Aux Tube Extension (C662/C663 3rd Function Integral Side Shift CLII, 2/3 FFL)	1622115
Kit-Aux Tube Extension (C662/C663 4th Function Integral Side-Shift CLII, 2/3 FFL)	1622116
Kit-Aux Tube Extension (3rd Function CLII standard carriage 2 LFL) (A270)	1631934
Kit-Aux Tube Extension (4th Function CLII Standard Carriage 2 LFL) (A270)	1631935
Kit-Aux Tube Extension (3rd Function 2 STG LFL ISS CLII) (A270)	1631937
Kit-Aux Tube Extension (4th Function 2 STG LFL ISS CLII) (A270)	1631938
Kit-Aux Tube Extension (A271/A272 3rd Function Std Carriage CLII 2/3 FFL)	1631991
Kit-Aux Tube Extension (A271/A272 4th Function Standard Carriage CLII 2/3 FFL)	1631992
Kit-Aux Tube Extension (A271/A272 3rd Function 2/3 FFL ISS CLII)	1631994

HYDRAULIC CONVERSION KITS

HYDRAULIC CONVERSION KITS (CONTINUED)

DESCRIPTION	PART NUMBER
Kit-Mini Lever Conv 3 Way (With Lockout to without Lockout) (W/ Lockout To W/o Lockout)(Kit Require software that must be dealer Installed)	1701682
Kit-Mini Lever Conv 3 Way (Without Lockout to with Lockout) (W/ Lockout To W/o Lockout)(Kit Require software that must be dealer Installed)	1701683
Kit-Mini Lever Conv 4 Way (With Lockout to without Lockout) (W/ Lockout To W/o Lockout)(Kit Require software that must be dealer Installed)	1701684
Kit-Mini Lever Conv 4 Way (Without Lockout to with Lockout) (W/ Lockout To W/o Lockout)(Kit Require software that must be dealer Installed)	1701685
Kit-E-Hyd Valve 3 to 4 Way (W/ Lockout To W/o Lockout)(Kit Require software that must be dealer Installed)	1701686
Kit-Manual Lever Conv 3 Way (W/ Lockout To W/o Lockout)(Kit Require software that must be dealer Installed)	1701687
Kit-Hyd Valve 3 to 4 Way (W/ Lockout To W/o Lockout)(Kit Require software that must be dealer Installed)	1707571
Kit-Hyd Valve 3 to 4 Way (W/ Lockout To W/o Lockout)(Kit Require software that must be dealer Installed)	1707572
Kit-Hyd Valve 3 to 4 Way (W/ Lockout To W/o Lockout)(Kit Require software that must be dealer Installed)	4000028

CAB KITS**WHEN SELECTING ANY CAB KIT THE APPROPRIATE INSTALLATION KIT SHOULD ALSO BE SELECTED**

DESCRIPTION	PART NUMBER
Cab (Top Panel Assembly) (546MM BC)	1661959
Cab (Top Panel Assembly) (642MM BC)	1661960
Cab (Top Panel Assembly) (750MM BC)	1661961
Cab (Rear Panel Assembly) (STD Hood)	b 1661962
Kit-Rear Screen (Low Hood)	1661963
Cab (Door Assembly) (Kit-Door Steel 546mm BC)	1661964
Cab (Door Assembly) (Kit-Door Steel 642mm BC)	1661965
Cab (Door Assembly) (Kit-Door Steel 750mm BC)	1661967
Kit (Mounting Front Screen)	4000287
Kit (Mounting Top Screen)	4000288
Kit (Mounting Rear Screen)	4000293
Kit (Mounting Steel Doors)	4000294
Kit (Mounting PVC Doors)	4000295
Kit (Mounting Roof Liner)	4000296
Kit (Mounting Front Wiper/ Washer)	4000297
Kit (Mounting Heater)	4000283
Kit (Rear Wiper Switch Mounting Without Head Liner)	4002835

CAB KITS

**WHEN SELECTING ANY CAB KIT THE APPROPRIATE INSTALLATION KIT SHOULD ALSO BE SELECTED
(CONTINUED)**

DESCRIPTION	PART NUMBER
Kit (Dome Light Cab Only)	4000298
Kit-Front Screen (Front Panel Assembly)	ab1662391

FOOTNOTES:

- a** Front Screen Option available only with backward tilt of 4 degrees or less
b When ordering Front or Rear Screen Kits a Window Wiper and Washer Kit is required

MISCELLANEOUS ADD-ON OPTION KITS

DESCRIPTION	PART NUMBER
Kit-DC/DC Convertor	1701699
Kit-Conversion (Keyless Start with Aux Key Switch) (W/o Lockout To W/ Lockout)(Kit requires software that must be dealer installed)	1701700
Kit-Conversion (Keyless Start without Aux Key Switch) (W/o Lockout To W/ Lockout) (Kit requires software that must be dealer installed)	1707862
Kit-Handle (Reverse)	1707713
Kit-Adapter (12 Volt) (Power Outlet)	1707715
Kit-Mirror (Dual Rear)	1707717
Kit-Mirror (Panoramic Mirror)	1707718
Kit-Sensor (Return To Set Tilt)	4014104
Kit (Lifting Eye)(Battery)	4004336
Kit (Retainer Battery)	4019232
Kit-Impact Monitoring (W/o Lockout To W/ Lockout)(Kit requires software that must be dealer installed)	4011094

LIGHT/ALARM ADD-ON OPTIONS KITS

DESCRIPTION	PART NUMBER
Kit-Worklight (One Rear-Halogen)	1701694
Kit-Worklight (Two Front-Halogen)	1701695
Kit-Headlight	1701696
Kit-Led Brake/Back-UP Light	1701697
Kit-Worklight (One Rear-LED)	1701698
Kit-Headlight (Two Front-LED)	1708784
Kit-Strobe Light	1708785
Kit-Strobe Light (Standard Mounting Bracket)	1708786
Kit-Strobe Light (Low Mounting Bracket)	1708787
Kit-Light (Turn Signal Switch)	1708788
Kit-Back-UP Alarm	1708789

LIGHT/ALARM ADD-ON OPTIONS KITS (CONTINUED)

DESCRIPTION	PART NUMBER
Kit-Dome Light	1708790
Kit-Light (Common Parts)	1708791
Kit-Worklight (LED Mast)	4030074
Kit-Worklight (LED Mast w/OHG)	4030079

HEADER HOSE CONVERSION KITS TWO STAGE LIMITED FREE-LIFT (→ S/N A935B01868H)

THREE TO FOUR FUNCTION (A270)

DESCRIPTION	LIFT HEIGHT TO BOTTOM OF FORKS			
	3320 mm (130.7 in.)	3820 mm (150.4 in.)	4320 mm (170.1 in.)	4820 mm (189.8 in.)
Mast Group Number	A270 3320	A270 3820	A270 4320	A270 4820
Kit-Hose Group 3 to 4 Way	1631922	1631925	1631928	1631931

THREE TO FOUR FUNCTION (C661)

DESCRIPTION	LIFT HEIGHT TO BOTTOM OF FORKS
	3392 mm (133.5 in.)
Mast Group Number	C661 3392
Kit-Hose Group 3 to 4 Way	1621933

TWO TO FOUR FUNCTION (A270)

DESCRIPTION	LIFT HEIGHT TO BOTTOM OF FORKS			
	3320 mm (130.7 in.)	3820 mm (150.4 in.)	4320 mm (170.1 in.)	4820 mm (189.8 in.)
Mast Group Number	A270 3320	A270 3820	A270 4320	A270 4820
Kit-Hose Group 2 to 4 Way	1631923	1631926	1631929	1631932

TWO TO FOUR FUNCTION (C661)

DESCRIPTION	LIFT HEIGHT TO BOTTOM OF FORKS	
	4392 mm (172.9 in.)	4892 mm (192.6 in.)
Mast Group Number	C661 4392	C661 4892
Kit-Hose Group 2 to 4 Way	1621940	1621943

TWO TO THREE FUNCTION (A270)

DESCRIPTION	LIFT HEIGHT TO BOTTOM OF FORKS			
	3320 mm (130.7 in.)	3820 mm (150.4 in.)	4320 mm (170.1 in.)	4820 mm (189.8 in.)
Mast Group Number	A270 3320	A270 3820	A270 4320	A270 4820
Kit-Hose Group 2 to 3 Way	1631921	1631924	1631927	1631930

TWO TO THREE FUNCTION (C661)

DESCRIPTION	LIFT HEIGHT TO BOTTOM OF FORKS
	3392 mm (133.5 in.)
Mast Group Number	C661 3392
Kit-Hose Group 2 to 3 Way	1621932

HEADER HOSE CONVERSION KITS
TWO STAGE LIMITED FREE LIFT (S/N A935B01869H →)

THREE TO FOUR FUNCTION (A270)

DESCRIPTION	LIFT HEIGHT TO BOTTOM OF FORKS
	4320 mm (170.1 in.)
Mast Group Number	A270 4320
Kit-Hose Group 2 to 4 Way	1620214

THREE TO FOUR FUNCTION (A270)

DESCRIPTION	LIFT HEIGHT TO BOTTOM OF FORKS			
	3320 mm (130.7 in.)	3820 mm (150.4 in.)	4320 mm (170.1 in.)	4820 mm (189.8 in.)
Mast Group Number	A270 3320	A270 3820	A270 4320	A270 4820
Kit-Hose Group 3 to 4 Way	1620207	1620210	1620213	1620216

THREE TO FOUR FUNCTION (C661)

DESCRIPTION	LIFT HEIGHT TO BOTTOM OF FORKS
	4892 mm (192.6 in.)
Mast Group Number	C661 4892
Kit-Hose Group 2 TO 4 Way	1620172

THREE TO FOUR FUNCTION (C661)

DESCRIPTION	LIFT HEIGHT TO BOTTOM OF FORKS			
	3392 mm (133.5 in.)	3892 mm (153.2 in.)	4392 mm (172.9 in.)	4892 mm (192.6 in.)
Mast Group Number	C661 3392	C661 3892	C661 4392	C661 4892
Kit-Hose Group 3 TO 4 Way	1620162	1620165	1620168	1620171

TWO TO FOUR FUNCTION (A270)

DESCRIPTION	LIFT HEIGHT TO BOTTOM OF FORKS		
	3320 mm (130.7 in.)	3820 mm (150.4 in.)	4820 mm (189.8 in.)
Mast Group Number	A270 3320	A270 3820	A270 4820
Kit-Hose Group 2 to 4 Way	1620208	1620211	1620217

TWO TO FOUR FUNCTION (C661)

DESCRIPTION	LIFT HEIGHT TO BOTTOM OF FORKS		
	3392 mm (133.5 in.)	3892 mm (153.2 in.)	4392 mm (172.9 in.)
Mast Group Number	C661 3392	C661 3892	C661 4392
Kit-Hose Group 2 TO 4 Way	1620163	1620166	1620169

TWO TO THREE FUNCTION (A270)

DESCRIPTION	LIFT HEIGHT TO BOTTOM OF FORKS			
	3320 mm (130.7 in.)	3820 mm (150.4 in.)	4320 mm (170.1 in.)	4820 mm (189.8 in.)
Mast Group Number	A270 3320	A270 3820	A270 4320	A270 4820
Kit-Hose Group 2 to 3 Way	1620206	1620209	1620212	1620215

TWO TO THREE FUNCTION (C661)

DESCRIPTION	LIFT HEIGHT TO BOTTOM OF FORKS			
	3392 mm (133.5 in.)	3892 mm (153.2 in.)	4392 mm (172.9 in.)	4892 mm (192.6 in.)
Mast Group Number	C661 3392	C661 3892	C661 4392	C661 4892
Kit-Hose Group 2 TO 3 Way	1620161	1620164	1620167	1620170

HEADER HOSE CONVERSION KITS THREE STAGE FULL FREE-LIFT (→ S/N A935B01868H)

THREE TO FOUR FUNCTION (A271)

DESCRIPTION	LIFT HEIGHT TO BOTTOM OF FORKS				
	4260 mm (167.7 in.)	4560 mm (179.5 in.)	4860 mm (191.3 in.)	5160 mm (203.1 in.)	5460 mm (215.0 in.)
Mast Group Number	A271 4260	A271 4560	A271 4860	A271 5160	A271 5460
Kit-Hose Group 3 to 4 Way	1631962	1631965	1631968	1631971	1631974

THREE TO FOUR FUNCTION (C662)

DESCRIPTION	LIFT HEIGHT TO BOTTOM OF FORKS				
	4260 mm (167.7 in.)	4560 mm (179.5 in.)	4860 mm (191.3 in.)	5160 mm (203.1 in.)	5460 mm (215.0 in.)
Mast Group Number	C662 4260	C662 4560	C662 4860	C662 5160	C662 5460
Kit-Hose Group 3 to 4 Way	1621983	1621986	1621989	1621992	1621995

TWO TO FOUR FUNCTION (A271)

DESCRIPTION	LIFT HEIGHT TO BOTTOM OF FORKS				
	4260 mm (167.7 in.)	4560 mm (179.5 in.)	4860 mm (191.3 in.)	5160 mm (203.1 in.)	5460 mm (215.0 in.)
Mast Group Number	A271 4260	A271 4560	A271 4860	A271 5160	A271 5460
Kit-Hose Group 2 to 4 Way	1631963	1631966	1631969	1631972	1631975

TWO TO FOUR FUNCTION (C662)

DESCRIPTION	LIFT HEIGHT TO BOTTOM OF FORKS				
	4260 mm (167.7 in.)	4560 mm (179.5 in.)	4860 mm (191.3 in.)	5160 mm (203.1 in.)	5460 mm (215.0 in.)
Mast Group Number	C662 4260	C662 4560	C662 4860	C662 5160	C662 5460
Kit-Hose Group 2 to 4 Way	1621984	1621987	1621990	1621993	1621996

TWO TO THREE FUNCTION (A271)

DESCRIPTION	LIFT HEIGHT TO BOTTOM OF FORKS				
	4260 mm (167.7 in.)	4560 mm (179.5 in.)	4860 mm (191.3 in.)	5160 mm (203.1 in.)	5460 mm (215.0 in.)
Mast Group Number	A271 4260	A271 4560	A271 4860	A271 5160	A271 5460
Kit-Hose Group 2 to 3 Way	1631961	1631964	1631967	1631970	1631973

TWO TO THREE FUNCTION (C662)

DESCRIPTION	LIFT HEIGHT TO BOTTOM OF FORKS				
	4260 mm (167.7 in.)	4560 mm (179.5 in.)	4860 mm (191.3 in.)	5160 mm (203.1 in.)	5460 mm (215.0 in.)
Mast Group Number	C662 4260	C662 4560	C662 4860	C662 5160	C662 5460
Kit-Hose Group 2 to 3 Way	1621982	1621985	1621988	1621991	1621994

HEADER HOSE CONVERSION KITS
THREE STAGE FULL FREE-LIFT (S/N A935B01869H →)

THREE TO FOUR FUNCTION (A271)

DESCRIPTION	LIFT HEIGHT TO BOTTOM OF FORKS				
	4260 mm (167.7 in.)	4560 mm (179.5 in.)	4860 mm (191.3 in.)	5160 mm (203.1 in.)	5460 mm (215.0 in.)
Mast Group Number	A271 4260	A271 4560	A271 4860	A271 5160	A271 5460
Kit-Hose Group 3 TO 4 Way	1620222	1620225	1620228	1620231	1620234

THREE TO FOUR FUNCTION (C662)

DESCRIPTION	LIFT HEIGHT TO BOTTOM OF FORKS				
	4260 mm (167.7 in.)	4560 mm (179.5 in.)	4860 mm (191.3 in.)	5160 mm (203.1 in.)	5460 mm (215.0 in.)
Mast Group Number	C662 4260	C662 4560	C662 4860	C662 5160	C662 5460
Kit-Hose Group 3 TO 4 Way	1620177	1620180	1620183	1620186	1620189

TWO TO FOUR FUNCTION (A271)

DESCRIPTION	LIFT HEIGHT TO BOTTOM OF FORKS				
	4260 mm (167.7 in.)	4560 mm (179.5 in.)	4860 mm (191.3 in.)	5160 mm (203.1 in.)	5460 mm (215.0 in.)
Mast Group Number	A271 4260	A271 4560	A271 4860	A271 5160	A271 5460
Kit-Hose Group 2 TO 4 Way	1620223	1620226	1620229	1620232	1620235

TWO TO FOUR FUNCTION (C662)

DESCRIPTION	LIFT HEIGHT TO BOTTOM OF FORKS				
	4260 mm (167.7 in.)	4560 mm (179.5 in.)	4860 mm (191.3 in.)	5160 mm (203.1 in.)	5460 mm (215.0 in.)
Mast Group Number	C662 4260	C662 4560	C662 4860	C662 5160	C662 5460
Kit-Hose Group 2 TO 4 Way	1620178	1620181	1620184	1620187	1620190

TWO TO THREE FUNCTION (A271)

DESCRIPTION	LIFT HEIGHT TO BOTTOM OF FORKS				
	4260 mm (167.7 in.)	4560 mm (179.5 in.)	4860 mm (191.3 in.)	5160 mm (203.1 in.)	5460 mm (215.0 in.)
Mast Group Number	A271 4260	A271 4560	A271 4860	A271 5160	A271 5460
Kit-Hose Group 2 TO 3 Way	1620221	1620224	1620227	1620230	1620233

TWO TO THREE FUNCTION (C662)

DESCRIPTION	LIFT HEIGHT TO BOTTOM OF FORKS				
	4260 mm (167.7 in.)	4560 mm (179.5 in.)	4860 mm (191.3 in.)	5160 mm (203.1 in.)	5460 mm (215.0 in.)
Mast Group Number	C662 4260	C662 4560	C662 4860	C662 5160	C662 5460
Kit-Hose Group 2 TO 3 Way	1620176	1620179	1620182	1620185	1620188

HEADER HOSE CONVERSION KITS
TWO STAGE FULL FREE- LIFT - C663 (→ S/N A935B01868H)

THREE TO FOUR FUNCTION

DESCRIPTION	LIFT HEIGHT TO BOTTOM OF FORKS		
	3178 mm (125.1 in.)	3678 mm (144.8 in.)	4298 mm (169.2 in.)
Mast Group Number	C663 3178	C663 3678	C663 4298
Kit-Hose Group 3 to 4 Way	1622123	1622103	1622109

TWO TO FOUR FUNCTION

DESCRIPTION	LIFT HEIGHT TO BOTTOM OF FORKS		
	3178 mm (125.1 in.)	3678 mm (144.8 in.)	4298 mm (169.2 in.)
Mast Group Number	C663 3178	C663 3678	C663 4298
Kit-Hose Group 2 to 4 Way	1622124	1622104	1622110

TWO TO THREE FUNCTION

DESCRIPTION	LIFT HEIGHT TO BOTTOM OF FORKS		
	3178 mm (125.1 in.)	3678 mm (144.8 in.)	4298 mm (169.2 in.)
Mast Group Number	C663 3178	C663 3678	C663 4298
Kit-Hose Group 2 to 3 Way	1622122	1622102	1622108

HEADER HOSE CONVERSION KITS
TWO STAGE FULL FREE- LIFT - C663 (S/N A935B01869H →)

THREE TO FOUR FUNCTION

DESCRIPTION	LIFT HEIGHT TO BOTTOM OF FORKS		
	3178 mm (125.1 in.)	3678 mm (144.8 in.)	4298 mm (169.2 in.)
Mast Group Number	C663 3178	C663 3678	C663 4298
Kit-Hose Group 3 TO 4 Way	1620195	1620198	1620201

TWO TO FOUR FUNCTION

DESCRIPTION	LIFT HEIGHT TO BOTTOM OF FORKS		
	3178 mm (125.1 in.)	3678 mm (144.8 in.)	4298 mm (169.2 in.)
Mast Group Number	C663 3178	C663 3678	C663 4298
Kit-Hose Group 2 TO 4 Way	1620196	1620199	1620202

TWO TO THREE FUNCTION

DESCRIPTION	LIFT HEIGHT TO BOTTOM OF FORKS		
	3178 mm (125.1 in.)	3678 mm (144.8 in.)	4298 mm (169.2 in.)
Mast Group Number	C663 3178	C663 3678	C663 4298
Kit-Hose Group 2 TO 3 Way	1620194	1620197	1620200

**SECTION 12
NUMERICAL INDEX**

PART NO.	PAGE	ITEM	PART NO.	PAGE	ITEM	PART NO.	PAGE	ITEM	PART NO.	PAGE	ITEM
12921	6-6	10		9-5	8	16487	6-5	6		8-35	5
14603	7-19	28		10-21	3	16540	10-41	15		8-37	5
	7-23	28		10-23	13		10-43	15		8-51	3
15177	1-55	13		10-25	13	16679	6-3	13		9-17	3
	1-62	35		10-27	13	16982	6-11	7		10-23	16
15211	7-3	17		10-29	14		7-19	29		10-27	14
	7-7	17		10-31	13		7-23	29		10-31	14
	7-13	9	16045	7-4	40		8-39	25	58908	7-3	6
	7-19	8		7-8	40	18089	6-42	3		7-7	6
	7-23	8		8-3	8	18096	6-42	2		7-13	3
	7-31	9		8-5	8	18462	1-56	16		8-3	5
	8-9	35		9-27	12		1-62	32		8-5	5
	8-13	35	16375	1-56	15		1-67	17		8-21	3
	8-21	8		1-61	27		1-69	19		9-27	8
	8-39	17	16481	6-49	12	18471	1-56	17		9-39	4
	8-43	25		6-57	7		1-62	31		10-21	23
	8-51	10	16483	4-5	10		1-67	19		10-25	22
	9-13	9		4-14	3		1-69	16		10-29	2
	9-17	10		6-21	23	18562	1-56	15	58929	3-3	10
	9-35	8		6-21	28	18735	1-55	9	66359	5-3	1
	9-39	8		6-21	30		1-61	25	88436	8-39	21
	10-21	20		6-45	17	18738	1-67	13	104506	7-19	10
	10-23	14		6-45	18		1-69	14		7-23	10
	10-25	19		6-49	13	18832	10-21	9		8-35	9
	10-27	19		10-21	24		10-23	12		8-37	9
	10-29	21		10-23	23		10-25	12		9-3	6
	10-31	19		10-41	12		10-27	12		9-5	6
15223	8-10	44		10-41	13		10-29	4	114312	1-56	
	8-14	44		10-41	16		10-31	12		1-62	
	8-39	14		10-43	12	19901	1-55	10		10-21	25
	8-43	20		10-43	13		1-62	33		10-23	24
	9-13	16		10-43	16	32033	3-3	9		10-25	14
	9-35	11	16484	6-49	14	39348	7-28			10-27	24
15236	6-57	6	16485	6-5	7	39374	6-55	12		10-29	12
15879	8-19	12		6-21	25	55146	8-49	12		10-31	24
	9-37	4		6-21	26		9-15	12	120938	7-4	37
15961	7-19	13		6-45	9	55407	7-11	12		7-8	37
	7-23	13		6-45	10		7-27	12		7-19	21
	8-35	11		6-45	11		8-17	15		7-23	21
	8-37	11		6-45	15		8-45	13		8-9	8
	9-3	9		7-20	31		9-9	9		8-13	8
	9-5	9		7-20	33		9-11	9		8-39	11
16001	6-57	17		7-24	31		9-31	9		9-7	9
16015	6-57	5		7-24	33		9-33	9		9-29	22
16041	7-19	12		8-43	18	57664	6-55	10	124297	4-5	11
	7-23	12		9-3	25	58901	7-3	15		5-3	16
	8-35	10		9-5	25		7-7	15	127045	6-3	15
	8-37	10		9-13	11		7-31	4		6-15	4
	9-3	8		9-35	18		8-7	13	129387	7-20	42

NUMERICAL INDEX (continued)

PART NO.	PAGE	ITEM	PART NO.	PAGE	ITEM	PART NO.	PAGE	ITEM	PART NO.	PAGE	ITEM
	7-24	42		8-35	7		8-39	12	190887	8-19	4
	7-31	3		8-37	7		9-35	13		8-49	3
	8-35	6		9-3	4	161004	8-9	32		9-9	12
	8-37	6		9-5	4		8-13	32		9-11	11
	8-43	7	132834	9-9	8		9-35	12		9-15	4
	8-51	4		9-11	8	166112	9-3	29		9-31	12
	9-3	11		9-31	8		9-5	29		9-33	11
	9-5	11		9-33	8	166285	2-17	12		9-37	13
	9-17	4	132861	6-11	1	166659	6-55	9	194368	2-3	6
	10-23	17	135634	8-39	21	166857	6-3	9		2-3	6
	10-27	21	136681	2-17	11		6-17	13		2-3	6
	10-31	21	136687	1-21	18	169874	1-56	21		2-3	7
129563	1-56	26		1-23	6		1-61	21		2-3	7
	1-62	38		1-23	9		1-67	18		2-3	7
	2-7	18		1-93	9		1-69	21		2-9	20
	6-17	14		2-17	7	170658	1-97	5		2-9	20
	6-17	14		10-15	1	173247	6-3	10		2-9	21
	6-21	19	136692	6-6	1	177352	8-39	21		2-10	21
	6-45	4	136749	1-27	19	178119	9-3	17	197067	1-85	4
	9-23	7	137852	1-29	15		9-5	17	197069	6-57	3
	9-42	32		1-56	30		9-27	6	200659	6-11	7
129684	2-17	5		1-62	42	180057	8-39	21	201829	8-49	14
129886	2-39	12		2-4	18	181899	4-14	5		9-15	14
	2-43	12		2-7	20	182376	8-43	22	203694	2-3	5
	2-55	12		2-9	6		9-13	6		2-9	19
	2-59	12		6-3	16	182377	8-43	21	204128	6-49	12
129888	2-63	9		6-11	13		9-13	7	204223	2-3	11
	2-63	10		6-17	12	185597	8-21	10		2-4	18
131357	7-13	10		6-17	12		8-51	7		2-4	18
	10-21	17		6-57	24		9-17	7		2-4	18
131358	7-3	22		9-21	19		9-39	9		2-9	6
	7-7	22		9-24	39	186061	8-46			2-9	6
	7-19	14		9-41	12		9-31			2-9	6
	7-23	14	141908	6-5	6		9-37			2-9	12
	7-31	6	147485	9-39	7	186859	8-9	1	215212	7-19	9
	8-7	8	148606	2-74	2		8-13	1		7-23	9
	8-21	9		2-76	7	186941	8-9	1		8-35	8
	8-39	1	148611	2-40	28		8-13	1		8-37	8
	8-51	8		2-44	28	187388	7-11	8		9-3	5
	9-7	3		2-56	29		7-27	8		9-5	5
	9-17	8		2-60	29		8-17	7	215240	7-13	5
	9-29	2		2-63	3		8-19	8		8-21	5
	9-39	5		2-63	4		8-45	9		9-39	3
	10-23	21	153069	7-20	34		8-49	8	216895	1-102	1
	10-25	17		7-24	34		9-15	8	221353	1-55	11
	10-27	17		8-40			9-37	12		1-62	34
	10-29	18	154375	8-19	11	190383	1-33	4	221771	1-101	3
	10-31	17		9-37	5	190580	7-11	14	221777	1-93	3
131715	8-35	7	161003	7-20	37		8-17	16	221904	2-65	4
	8-37	7		7-24	37		8-19		221982	1-13	6
131716	7-20	43		8-9	33		8-45	6	222027	1-75	17
	7-24	43		8-13	33		9-37			1-77	21

NUMERICAL INDEX (continued)

PART NO.	PAGE	ITEM	PART NO.	PAGE	ITEM	PART NO.	PAGE	ITEM	PART NO.	PAGE	ITEM
222029	2-7	15		9-3	25		10-45	3	293689	3-3	18
	2-65			9-5	25	275495	2-29	10		3-7	7
222442	6-13	7		9-13	11		2-37	32	293706	1-79	3
	6-49	12		9-35	18		2-53	32	293712	1-79	4
222443	6-49	13	257913	7-11	5		2-61	40	293742	6-6	3
222444	7-4			7-27	5		2-73	2	293779	3-3	15
	7-8			8-17	5	275496	2-36	30	295649	8-19	5
	9-29	16		8-19	6		2-45	39		9-9	13
222492	6-21	23		8-45	5		2-53	30		9-11	12
	6-45	10		8-49	6		2-61	39		9-31	13
222522	2-25	15		9-15	6		2-61	45		9-33	12
223389	7-19	5	265787	4-5	10		2-79	2		9-37	14
	7-23	5		4-14	3	275497	2-37	31	296001	2-13	2
227132	6-25	32		6-17	6		2-45	42		2-15	2
227146	5-7	6		6-21	30		2-53	31		6-19	12
227147	2-65	13		6-45	18		2-61	42	296008	8-3	15
227157	1-67	1		8-32	41	279740	1-33			8-5	15
	1-69	3		8-53	22	280472	2-18	1		9-27	11
	1-69	11		8-55	31		2-18	2	296151	1-85	3
230132	2-3	5		8-60	37	287851	1-40	22		1-87	6
	2-9	19		9-19	13		1-47	27		6-21	33
233141	2-75	3		10-21	24		1-51	14		6-25	21
	2-76	9		10-23	23	287854	6-21	16	296154	1-77	7
235691	6-29	19		10-41	4		6-45	5	296157	3-3	4
	6-33	14		10-41	12	287860	1-102	2	296160	6-17	9
	6-40	2		10-41	13	288474	6-39	9	296162	1-47	22
	6-49	14		10-43	1	289245	7-19	5	296163	1-51	4
239503	1-21	11		10-43	2		7-23	5	296165	1-67	6
	1-27	4		10-43	4	292500	1-21	16		1-69	7
	1-43	2		10-43	7		1-23	4	296166	1-67	
	1-47	2		10-43	8	292508	6-3	6	296169	5-7	5
240201	7-19	5		10-43	12	292514	6-57	15	296173	6-3	18
	7-23	5		10-43	13	292535	1-81	8	296217	1-25	6
246994	7-19	5	266704	8-9	1	292537	1-81	2	296228	1-39	15
	7-23	5		8-13	1	292570	5-3	5		1-43	26
250835	1-43	8	266705	9-35	7	292653	10-5	4		1-48	36
	1-47	8	266706	8-9	1		10-17	7	296247	1-85	12
252729	6-5	7		8-13	1	292655	2-25	12		1-87	16
	6-21	25		9-35	7	292659	1-79	5		1-89	21
	6-21	26	275493	2-29	9	292665	2-23	10	296330	1-87	7
	6-21	27		2-36	28	292667	2-3	16		1-89	8
	6-45	11		2-45	41		2-7	11	296354	2-4	28
	6-45	14		2-52	28		2-13	14	296355	2-23	9
	6-45	15		2-61	41		2-15	16	296357	1-56	29
	7-19	29		2-65	10	292680	2-17	6		1-62	41
	7-20	31		2-79	3	292681	6-11	14		2-7	10
	7-20	33		2-79	10	292682	2-25	11		2-13	13
	7-23	29	275494	2-36	29		6-6	2		2-15	15
	7-24	31		2-45	40	293603	10-5	2	296358	2-25	18
	7-24	33		2-52	29	293626	10-41	6	296359	2-13	4
	8-39	25		2-61	43		10-43	6	296360	1-51	2
	8-43	18		2-79	6	293631	3-3	11		1-67	

NUMERICAL INDEX (continued)

PART NO.	PAGE	ITEM	PART NO.	PAGE	ITEM	PART NO.	PAGE	ITEM	PART NO.	PAGE	ITEM
	1-69	5		1-27			1-87	18		7-7	14
	1-69	13	302055	2-17	3		1-89	7		8-7	17
296377	10-12	4	302231	1-33	10		1-89	12	322899	7-3	13
296379	10-5	3	302398	2-26	3	316835	1-27	13		7-7	13
	10-15	3	302399	2-18	3	320152	1-33	9		8-7	16
	10-17	6	302400	1-40	20		1-91	6	322902	7-11	7
296380	1-67			1-51	8		1-93	11		7-27	7
	10-17	8		5-7	1	320154	1-33	6		8-17	11
296381	1-102	5		6-21	12		2-13	12		8-45	8
	6-57	14	302401	6-25	20	320155	1-77	6	323090	7-19	16
296418	1-51	3	302404	1-39	12		2-3	17		7-23	16
296420	3-3	12		1-43	11		2-7	14		8-39	6
296423	1-101	4		1-47	11	320156	1-11	5		9-7	5
296426	1-39	11	302449	5-7	10		1-13	7		9-29	8
	1-43	10	302450	1-104	2		1-15	21	323160	7-4	38
	1-47	10	302467	1-39	5		1-21	17		7-8	38
	3-3	17		1-43	19		1-23	5		7-19	20
	3-7	8		1-48	38		1-27	24		7-23	20
296429	5-3	6	302977	3-10	2		2-13	3		8-9	7
296431	1-79	2		4-2	2		2-18	4		8-13	7
296519	1-25	8	304195	6-17	11		3-3	16		8-39	10
297531	7-11	6	304526	7-20	39		10-5	5		9-7	8
	7-27	6		7-24	39	320158	1-11	7		9-29	21
	8-17	6		8-39	20		1-21	10	324972	6-21	15
	8-19	7	307975	2-3	11		1-27	5		6-45	6
	8-45	7		2-9	12		1-29	7	325182	1-75	14
	8-49	7	309109	6-25	27		1-40	19		1-75	22
	9-15	7	310549	8-10	41		1-43	29		1-77	18
	9-37	11		8-14	41		1-51	7		1-77	27
297538	8-19	6		8-43	11		1-73	8	330692	7-11	11
	8-49	6		9-13	15		1-91	8		7-27	11
	9-15	6		9-35	16		2-7	23		8-17	9
	9-37	10	313221	1-47	28		6-21	11		8-45	10
297649	7-20	38	313828	1-53	7	320159	1-40	24	333185	8-9	1
	7-24	38		1-67	7		6-25	19		8-13	1
	8-39	13		1-69	6	320160	1-43	12	350996	2-23	4
300932	1-81	6		1-69	12		1-47	12	351532	8-19	15
300937	1-81	7	314775	2-76	1		1-67	9		9-37	7
	1-101	5		2-80	5		1-69	26	353144	1-75	21
300982	6-57	2	314878	2-70	6		1-102	3		1-77	25
302007	1-91	7		2-73	9	320161	5-7	2	358300	8-19	14
	1-93	10		2-74	4	320164	1-73	7		9-37	8
302009	2-23	8		2-80	3	320181	6-57	25	360387	6-22	
302020	1-33	5	315634	8-9	34	321205	10-27	15	363452	1-89	18
	2-3	15		8-13	34		10-31	15	363472	8-7	18
	2-7	9		8-21	7	321519	10-25	15	363638	8-7	1
302026	2-65	14		9-35	9		10-29	15	363639	8-7	1
302027	2-65	14		10-25	18	322824	7-11	9	363699	8-7	1
302029	2-13	11		10-29	20		7-27	9	366115	7-31	10
302030	2-15	14	316826	1-67	10		8-17	8		8-51	5
302032	2-25	19		1-69	25		8-45	11		9-17	5
302047	1-13	8		1-85	14	322897	7-3	14		10-23	18

NUMERICAL INDEX (continued)

PART NO.	PAGE	ITEM	PART NO.	PAGE	ITEM	PART NO.	PAGE	ITEM	PART NO.	PAGE	ITEM
	10-27	22		2-52	20		2-56	27		8-37	4
	10-31	22	1310369	9-9	5		2-60	27		9-3	3
369242	5-9	2		9-11	5	1330433	10-3	1		9-5	3
	5-11	2		9-31	5	1330434	2-75	2		9-17	2
	10-15	7		9-33	5		2-76	4		10-23	15
373875	6-3	2	1314299	2-25	1		10-45	5		10-31	20
375629	1-53	5	1319668	7-27	10	1330436	2-73	11	1335138	1-97	10
	10-15	6		8-45	12	1330437	1-93	13	1336897	1-47	25
380719	3-7	10	1324310	2-41	33		2-27	2	1337087	1-83	1
382796	3-5	5		2-41	34		2-29	4	1337197	2-4	19
	3-7	6		2-45	33	1330438	2-27	4	1339828	1-97	2
382877	3-7	1		2-45	34		2-27	5	1339830	1-95	1
389688	1-97	4		2-57	34		2-29	1	1339832	1-95	3
615135	8-49	11		2-57	35		2-29	7	1340687	8-43	24
	9-15	11		2-61	34		2-32	21		8-51	9
638250	8-49	15		2-61	35		2-36	21		9-13	8
	9-15	15	1327021	1-103	1		2-48	21		9-17	9
893818	1-61	14	1327022	1-103	1		2-52	21		10-27	18
893841	6-21	29	1327023	1-103	1		2-74	5		10-31	18
986599	8-39	21	1328722	6-39			2-74	6	1340998	5-3	4
1301230	2-32	23	1329151	2-77	4		2-79	4	1342699	1-97	3
	2-36	23	1329152	2-77	4		2-79	5	1343276	1-95	2
	2-52	23	1330281	2-77	4		2-79	11	1343989	8-9	9
1301286	10-17	3	1330355	2-77	2		2-79	13		8-13	9
1301784	2-74	1	1330413	2-67	3		2-80	2		8-43	26
1302024	10-11	3	1330414	1-93	13	1330439	2-31	10	1345190	7-33	9
1303077	2-63	5		2-80	1		2-33	28		7-35	9
1306270	2-31	8		10-3	1		2-35	10		8-53	7
	2-36	27		10-19	11		2-37	34		8-55	10
	2-39	10	1330415	2-40	20		2-40	21		8-59	12
	2-39	11		2-44	20		2-40	24	1345216	10-23	2
	2-43	10	1330416	2-27	2		2-44	21		10-27	2
	2-43	11		2-29	4		2-44	24	1345348	7-33	15
	2-47	8	1330418	2-67	3		2-47	10		7-35	15
	2-52	27	1330419	2-73	11		2-51	10	1345412	7-33	17
	2-55	10		2-74	5		2-56	25		7-35	17
	2-55	11		2-74	6		2-60	25	1345413	7-33	18
	2-59	10	1330421	2-75	2	1333043	1-103	1		7-35	18
	2-59	11		2-76	4	1333044	1-103	1	1345423	9-19	14
1308259	2-76	1		2-80	2	1333045	1-103	1		9-24	28
	2-80	5	1330423	2-32	28	1333382	7-3	23	1346752	1-73	10
1310142	2-32	18		2-37	34		7-7	23	1347202	9-3	20
	2-32	19		2-56	27		7-19	15		9-5	20
	2-32	20		2-60	27		7-23	15	1347314	8-31	9
	2-36	18	1330424	2-73	11		8-7	7	1348185	7-3	8
	2-36	19		2-74	5		8-39	2		7-7	8
	2-36	20		2-74	6		9-7	4		7-19	11
	2-48	18	1330427	2-75	2		9-29	3		7-23	11
	2-48	19		2-76	4	1333399	7-19	6		8-3	7
	2-48	20		2-80	2		7-23	6		8-5	7
	2-52	18	1330429	2-33	28		7-31	2		8-35	12
	2-52	19		2-37	34		8-35	4		8-37	12

NUMERICAL INDEX (continued)

PART NO.	PAGE	ITEM	PART NO.	PAGE	ITEM	PART NO.	PAGE	ITEM	PART NO.	PAGE	ITEM
	9-3	7		8-39	3	1360548	7-33		1362725	8-45	
	9-5	7		9-7	10		7-35		1362732	8-45	1
	9-27	14		9-29	4		8-53	3	1362733	8-45	
1348187	6-57	16	1355189	7-11	3		8-55	6	1362734	8-45	1
1348246	8-55	20		7-11	3		8-59	16	1362735	8-45	2
	8-60	31		7-27	3	1360549	7-33	10		8-45	2
1348247	8-53	17		7-27	3		7-35	10	1362737	8-45	
	8-60	30		7-27	3		8-53	6	1362744	8-45	1
1348460	7-19	2		7-27	3		8-55	9	1362745	8-45	
	7-23	2	1355610	8-17	3		8-59	11	1362746	8-45	2
1348465	7-19	2		8-17	3	1361302	8-49	5		8-45	2
	7-23	2		8-45	3		9-15	5	1362749	8-45	
1348470	7-19	2		8-45	3	1361378	7-27		1362756	8-45	1
	7-23	2		8-45	3	1361379	7-27	1	1362871	7-11	13
1348475	7-19	2		8-45	3	1361380	7-27	2		7-27	13
	7-23	2	1356037	7-11	3		7-27	2		8-17	10
1351064	6-5	3		7-27	3	1361382	7-27			8-45	14
1351689	6-21	8		7-27	3	1361383	7-27	1	1362875	8-17	14
1353005	8-35	2	1356749	7-11	15	1362533	7-27			8-46	16
	8-37	2		8-17	13	1362534	7-27	1		9-9	11
1353007	8-35	2	1358970	8-19	10	1362535	7-27	2		9-31	11
	8-37	2		8-49	10		7-27	2	1362880	8-49	4
1353009	8-35	2		9-15	10	1362537	7-27			9-15	3
	8-37	2	1360139	8-46		1362538	7-27	1	1362881	8-49	13
1353011	8-35	2	1360140	7-28		1362563	7-27			9-15	13
	8-37	2	1360141	8-49		1362564	7-27	1	1362921	8-49	1
1353013	8-35	2		9-15		1362565	7-27	2	1362923	8-49	1
	8-37	2	1360386	6-19	8		7-27	2	1362924	9-15	1
1353408	7-31	5		7-15	12	1362567	7-27		1362925	8-49	1
	10-23	20		7-17	12	1362568	7-27	1	1362928	8-49	1
1353533	1-101	2		7-33	7	1362593	7-27		1362929	9-15	1
1354915	7-3	26		7-35	7	1362594	7-27	1	1362930	8-49	1
	7-7	26		8-24	13	1362595	7-27	2	1362935	9-15	1
	7-19	23		8-28	4		7-27	2	1363251	8-9	25
	7-23	23		8-31	6	1362597	7-27			8-13	25
	8-7	6		8-53	13	1362598	7-27	1	1363253	8-53	18
	8-39	3		8-55	16	1362696	8-45			8-55	21
	9-7	10		8-59	5	1362697	8-45	1		8-60	35
	9-29	6		9-19	16	1362698	8-45	2	1363260	6-57	9
1354916	7-3	27		9-21	12		8-45	2	1363272	8-51	2
	7-7	27		9-23	4	1362700	8-45			10-27	20
	7-19	23		9-24	29	1362707	8-45	1	1363886	2-80	1
	7-23	23		9-41	6	1362708	8-45		1365140	8-39	15
	8-7	5		9-41	14	1362709	8-45	1	1365523	9-21	7
	8-39	3	1360507	8-53	25	1362710	8-45	2		9-23	3
	9-7	10		8-59	25		8-45	2	1365526	9-21	7
	9-29	5		9-19	21	1362712	8-45			9-23	3
1354917	7-3	28		9-23	6	1362720	8-45	1	1365533	9-21	7
	7-7	28		9-42	37	1362721	8-45			9-23	3
	7-19	23	1360508	9-19	15	1362722	8-45	1	1365637	9-11	2
	7-23	23		9-23	14	1362723	8-45	2		9-33	2
	8-7	4	1360547	8-43	27		8-45	2	1365642	9-11	2

NUMERICAL INDEX (continued)

PART NO.	PAGE	ITEM	PART NO.	PAGE	ITEM	PART NO.	PAGE	ITEM	PART NO.	PAGE	ITEM
	9-33	2	1378776	1-104	1		3-7	5	1463105	8-19	9
1365647	9-11	2	1378777	1-104	1	1393472	1-27	15		8-49	9
	9-33	2	1378779	1-104	1	1393495	1-25	12		9-15	9
1365666	9-9	2	1378793	1-104	1		1-29	10		9-37	2
	9-31	2	1378794	1-104	1	1393504	1-25	10	1463138	2-27	1
1365671	9-9	2	1378796	1-104	1	1393506	1-25	15		2-65	8
	9-31	2	1379685	7-20	36	1393509	1-25	11		2-68	3
1365676	9-9	2		7-24	36	1395169	7-31	2		2-75	1
	9-31	2		8-39	19		8-35	4		2-79	1
1366057	8-45	1	1380371	1-85	8		8-37	4		10-11	1
1367150	1-55	6		1-87	12		9-17	2	1463139	2-31	11
	1-59	7		1-89	6		10-31	20		2-32	16
	1-59	10	1380434	6-11	2	1397653	2-17	10		2-33	29
	1-61	6	1381082	9-9	6	1397807	1-81	4		2-35	11
	1-65	7		9-11	6	1397808	1-81	5		2-36	16
	1-65	10		9-31	6	1398009	1-81			2-47	11
1369345	7-31	7		9-33	6		1-83	2		2-48	13
	10-23	19	1381094	6-55	8	1399082	6-3	8		2-48	27
1369357	7-20	40	1381095	7-27	14	1401746	10-21	8		2-48	29
	7-24	40		8-46	15		10-23	11		2-51	11
	8-39	18	1382302	10-7			10-25	11		2-52	13
1371287	2-26		1382304	10-11			10-27	11		2-53	33
	6-57	13	1382308	2-32	23		10-29	16		2-53	34
1371526	6-57	4		2-32	24		10-31	11		2-76	8
1371653	7-27	4		2-36	23	1402814	2-68	1		2-79	7
	8-45	4		2-36	24	1402815	1-56	25		2-79	9
1373685	2-13	15		2-48	23		1-62	37		2-79	14
	2-15	13		2-48	24		2-67	2		2-80	7
1374210	2-23	2		2-52	23	1402849	2-63	1	1463140	2-29	5
1374797	7-19	7		2-52	24		2-63	2		2-31	7
	7-23	7		2-75	3		2-63	11		2-35	7
	7-31	4		2-76	9		2-63	12		2-47	7
	8-35	5		2-80	6	1402888	2-77	4		2-51	7
	8-37	5	1382311	1-75	7	1450957	2-39	2		2-67	1
	8-51	3		1-77	11		2-39	3		2-67	3
	9-3	10	1382312	1-75	8		2-39	4		2-69	1
	9-5	10		1-77	12		2-43	2		2-79	1
	9-17	3	1382313	1-75	9		2-43	3		10-45	2
	10-31	14		1-77	13		2-43	4	1463141	2-29	2
1374802	9-9	10	1383061	6-55	7		2-55	2		2-31	2
	9-11	10	1383063	7-11	10		2-55	3		2-31	3
	9-31	10		8-17	12		2-55	4		2-31	6
	9-33	10	1385099	1-97	7		2-59	2		2-31	11
1377860	2-39	5	1388019	7-3	19		2-59	3		2-31	13
	2-43	5		7-7	19		2-59	4		2-32	15
	2-59	5		8-9	4	1453887	1-61	16		2-32	22
1378550	1-75	4		8-13	4	1454122	2-25	2		2-32	27
	1-77	8		9-29	15	1460477	1-85	9		2-35	2
1378760	1-104	5	1388309	6-21	13		1-87	13		2-35	3
1378762	1-104	4		6-45	3		1-89	4		2-35	6
1378763	1-104	3	1388838	4-5	4		6-21	14		2-35	8
1378765	1-104		1391044	3-5	16		6-45	7		2-35	11

NUMERICAL INDEX (continued)

PART NO.	PAGE	ITEM	PART NO.	PAGE	ITEM	PART NO.	PAGE	ITEM	PART NO.	PAGE	ITEM
	2-36	13		2-67	4		8-13	13		9-13	11
	2-36	15		2-77	1		9-29	14		9-35	18
	2-36	22		2-79	12	1476067	2-77	2	1481348	7-3	24
	2-37	33		10-45	4	1476108	2-77	2		7-7	24
	2-37	35	1463180	2-75	1	1476109	2-77	2		7-19	29
	2-39	14	1463184	2-32	17	1476584	1-21	12		7-23	29
	2-39	17		2-36	17		1-27	3		8-9	6
	2-40	19		2-48	14		1-29	5		8-13	6
	2-40	25		2-52	14	1477996	6-19	6		8-39	25
	2-40	26		2-65	6		7-15	8		9-3	24
	2-40	30	1463189	2-32	16		7-17	8		9-5	24
	2-41	32		2-36	16		7-33	2		9-29	17
	2-43	14		2-47	13		7-33	2	1481805	8-35	3
	2-43	17		2-52	13		7-35	2		8-37	3
	2-44	19	1463191	2-75	1		7-35	2	1481807	8-35	3
	2-44	25	1463193	2-65	7		8-53	15		8-37	3
	2-44	26		2-67	1		8-55	18	1481809	8-35	3
	2-44	30	1463194	2-27	5		8-55	18		8-37	3
	2-45	32		2-29	1		8-59	3	1481811	8-35	3
	2-47	2		2-79	5		8-60			8-37	3
	2-47	3	1463196	2-32	16		9-19	9	1481813	8-35	3
	2-47	6		2-36	16		9-21	8		8-37	3
	2-47	11		2-48	13		9-24	26	1482905	1-59	4
	2-48	15		2-52	13		9-41	9		1-65	4
	2-48	16	1463849	2-69	3		9-41	9	1482906	1-59	6
	2-48	22	1463912	1-33	7		9-41	9		1-65	6
	2-51	2	1465553	1-21	14	1479453	5-3	16	1482925	1-56	
	2-51	3	1467390	4-17	1	1480237	10-7	5		1-61	15
	2-51	6	1467424	4-17	5	1481054	8-43	4	1482948	1-56	
	2-51	8	1467425	4-17	23		9-13	4	1482949	1-56	
	2-51	11	1467430	4-17		1481229	6-19	5		1-61	13
	2-52	15	1468311	1-15	15		7-15	7		1-61	17
	2-52	16	1468312	1-11	12		7-17	7	1482950	1-56	
	2-52	22	1468314	1-27	10		7-33	3	1483003	1-61	10
	2-55	13	1468315	1-21	2		7-35	3	1483661	10-41	11
	2-55	16		1-27	6		8-59	4		10-43	11
	2-56	18	1468316	1-21	3		9-41	8	1483663	10-41	9
	2-56	20		1-27	7		9-41	8		10-43	9
	2-56	21	1468317	1-21	5		9-41	8	1483664	10-41	10
	2-56	22	1468319	1-13	25	1481258	8-51	6		10-43	10
	2-56	28	1468323	1-21	8		9-17	6	1484361	2-27	4
	2-56	31	1469997	2-18	7		10-27	16		2-29	7
	2-57	33	1470155	1-56			10-31	16	1484377	2-27	1
	2-59	13	1470687	5-7	7	1481344	7-19	22		2-29	5
	2-59	16	1471618	1-97	12		7-23	22		2-31	7
	2-60	18	1473888	8-9	11		8-39	24		2-31	11
	2-60	20		8-13	11		9-7	13		2-31	12
	2-60	21		8-39	30	1481345	9-7	11		2-32	14
	2-60	22	1473895	6-21	31		9-29	1		2-32	16
	2-60	28	1473897	7-3	9	1481346	8-10	36		2-32	17
	2-60	31		7-7	9		8-14	36		2-32	22
	2-61	33		8-9	13		8-43	18		2-32	27

NUMERICAL INDEX (continued)

PART NO.	PAGE	ITEM	PART NO.	PAGE	ITEM	PART NO.	PAGE	ITEM	PART NO.	PAGE	ITEM
	2-33	29		2-35	3		2-52	16		10-37	2
	2-35	7		2-36	13		2-55	13		10-43	1
	2-35	8		2-39	14		2-56	18		10-43	2
	2-35	11		2-40	19		2-56	20		10-43	7
	2-36	12		2-40	30		2-56	21		10-43	8
	2-36	14		2-40	32		2-56	22	1489016	10-38	1
	2-36	16		2-43	14		2-56	31	1489035	10-38	3
	2-36	17		2-44	19		2-57	33	1489037	10-38	2
	2-36	22		2-44	30		2-59	13	1489039	10-38	5
	2-37	33		2-45	32		2-60	18	1489655	2-27	2
	2-37	35		2-47	2		2-60	20		2-29	4
	2-39	17		2-47	3		2-60	21	1489656	2-32	21
	2-43	17		2-48	16		2-60	22		2-36	21
	2-47	7		2-51	2		2-60	31		2-48	21
	2-47	11		2-51	3		2-61	33		2-52	21
	2-47	12		2-52	16		2-67	4		10-45	5
	2-47	13		2-55	13		2-79	12	1489657	2-32	21
	2-48	14		2-55	18	1486738	6-21	28		2-36	21
	2-48	15		2-56	20		6-45	17		2-48	21
	2-48	17		2-56	21	1486740	4-14	3		2-52	21
	2-48	22		2-56	22		10-41	12		10-45	5
	2-48	27		2-56	31		10-43	12	1489751	1-15	13
	2-48	29		2-57	33	1486749	6-5	7	1489972	8-43	13
	2-51	7		2-59	13		6-21	25		9-3	12
	2-51	8		2-60	18		6-45	15		9-5	12
	2-51	11		2-60	20		7-19	31	1490242	2-31	9
	2-52	12		2-60	21		7-23	31		2-35	9
	2-52	13		2-60	22		8-40	35		2-40	23
	2-52	14		2-60	31		9-3	25		2-44	23
	2-52	15		2-61	33		9-5	25		2-47	9
	2-52	17		2-67	4		9-29	12		2-51	9
	2-52	22		2-79	12	1486773	6-21	27		2-56	24
	2-53	33	1484558	2-29	2		6-45	14		2-60	24
	2-53	34		2-31	2		8-9	16		2-79	4
	2-55	16		2-31	3		8-13	16		2-79	11
	2-59	16		2-31	13	1487058	6-57	7		2-79	13
	2-65	9		2-35	2	1487059	10-25	23	1490243	2-27	4
	2-77	1		2-35	3		10-27	23		2-29	7
	2-79	1		2-36	13		10-29	13		2-31	9
	2-79	7		2-39	14		10-31	23		2-35	9
	2-79	9		2-40	19	1487063	6-21	30		2-40	23
	2-79	14		2-40	30		6-45	18		2-44	23
	10-45	2		2-41	32		10-21	24		2-47	9
	10-45	4		2-43	14		10-23	23		2-51	9
1484397	2-40	20		2-44	19	1487067	6-21	26		2-56	24
	2-44	20		2-44	30		6-45	11		2-60	24
	2-79	5		2-45	32	1487094	6-57	8		2-79	4
1484557	2-29	2		2-47	2	1487163	10-33	1		2-79	11
	2-31	2		2-47	3		10-33	2		2-79	13
	2-31	3		2-48	16		10-35	1	1491115	1-21	13
	2-31	13		2-51	2		10-35	2		1-27	2
	2-35	2		2-51	3		10-37	1	1492221	1-13	18

NUMERICAL INDEX (continued)

PART NO.	PAGE	ITEM	PART NO.	PAGE	ITEM	PART NO.	PAGE	ITEM	PART NO.	PAGE	ITEM
1493336	1-29	12		1-19	11		2-47	4	1515337	1-13	4
1493397	1-21	19	1498502	2-27	5		2-51	4		1-15	1
1493458	2-70	2		2-29	1		2-55	9	1517361	6-25	25
	2-73	3	1499668	2-70	3		2-56	19	1521309	2-70	4
1493462	2-31	6		2-73	5		2-59	9		2-73	6
	2-35	6		2-76	6		2-60	19		2-76	2
	2-47	6	1500782	1-103	4	1508232	2-57	36		2-76	3
	2-51	6	1500912	2-4	25		2-61	36		2-80	4
	2-76	8		2-7	2	1508353	2-39	1	1523732	1-103	2
	2-79	9		2-15	12		2-43	1	1523733	1-103	3
	2-80	7		2-65	16		2-55	1	1523734	1-103	5
1493464	2-31	6		10-45	9		2-59	1	1523735	1-103	
	2-35	6	1502092	6-6	9	1509890	2-7	19	1523868	6-57	19
	2-47	6	1502543	1-39	16		2-32	26	1525567	2-31	11
	2-51	6		1-43	27		2-36	26		2-32	27
	2-76	8		1-47	29		2-41	38		2-35	11
	2-79	9		1-48	37		2-45	38		2-37	33
	2-80	7		1-73	6		2-48	26		2-39	17
1493465	1-93	13		1-91	10		2-52	26		2-43	17
	2-31	10		5-3	9		2-57	39		2-47	11
	2-35	10		5-9	3		2-61	46		2-51	11
	2-40	24		5-11	3	1510113	2-7	24		2-55	16
	2-44	24		6-3	12		2-9	4		2-56	28
	2-47	10	1503096	10-38		1510114	1-73	12		2-59	16
	2-51	10	1504010	7-31	7	1510115	2-9	3		2-60	28
	2-56	25	1504953	1-11	10	1510116	1-73	11	1525595	2-40	27
	2-60	25	1504954	1-11	9	1510117	2-9	15		2-41	36
	2-80	1	1504955	1-11	6		4-11	23		2-44	27
	10-3	1	1506668	1-15	22		4-13	33		2-45	36
	10-19	9	1506738	10-15	2		6-5	9		2-56	26
1493466	2-40	21		10-17	5	1512403	1-39	13		2-57	37
	2-44	21		10-19	8		6-3	19		2-60	26
1493474	1-27	14	1507340	3-7	3	1512536	1-55	8		2-61	37
1493770	1-91	9	1507373	3-5	4		1-61	26	1525596	2-40	27
1494017	7-33	11	1508206	2-31	5	1512544	1-56	18		2-41	36
	7-35	11		2-35	5	1513089	1-55	3		2-44	27
	8-53	5		2-39	13		1-61	5		2-45	36
	8-55	8		2-39	18	1514429	1-40	29		2-56	26
	8-59	10		2-43	13		1-51	10		2-57	37
1494719	6-55			2-43	18		1-87	8		2-60	26
1498115	9-9			2-47	5		1-89	17		2-61	37
	9-11			2-51	5		1-93	9	1525920	2-25	14
	9-31			2-55	8		2-7	8	1525921	2-25	13
	9-33	14		2-55	17		2-15	3	1525922	2-25	16
1498325	10-38	4		2-59	8		4-14	7	1526274	7-31	1
1498326	10-21	7		2-59	17		5-3	19	1527813	6-17	7
	10-23	10	1508211	2-31	4		10-5	4		6-21	28
	10-25	10		2-35	4	1514866	7-20	41		6-45	17
	10-27	10		2-39	9		7-24	41		6-57	7
	10-29	17		2-40	22		7-31	8		6-57	8
	10-31	10		2-43	9		8-39	16	1527876	1-75	24
1498336	1-17			2-44	22		10-23	22		1-77	28

NUMERICAL INDEX (continued)

PART NO.	PAGE	ITEM	PART NO.	PAGE	ITEM	PART NO.	PAGE	ITEM	PART NO.	PAGE	ITEM
	1-89	13		4-5	9	1531557	1-11	15	1534282	2-41	37
	2-13	6	1529015	7-15	19		1-21	23		2-45	37
	10-45	7		7-17	19		1-25	5		2-57	38
1527877	1-85	5		7-33	14		1-81	10		2-61	38
	2-7	7		7-35	14		1-83	14	1534660	1-95	6
	2-15	5		8-24	22		4-5	16	1537551	10-9	5
	2-20	3		8-28	24	1531558	1-11	17	1539638	3-10	1
	10-5	2		8-32	42		1-25	7	1540805	1-93	6
1527878	1-93	14		8-53	24		1-67	3	1541988	2-27	1
	2-25	9		8-56	32		1-69	8		2-29	5
	4-14	6		8-60	36		2-13	5		2-69	1
	5-3	20		9-19	12		2-15	4		10-45	2
	6-21	4		9-21	10		6-17	10	1541989	2-27	1
	10-19	7		9-23	15		6-19	11		2-29	5
1527879	2-9	18		9-42	27		10-9	3		2-69	1
	10-45	11		10-41	3		10-19	6		10-45	2
1527880	2-3	8		10-43	5	1531563	4-11	4	1541991	2-32	15
	2-17	13	1529046	2-32	27		4-13	4		2-32	22
	4-5	14		2-35	11	1531973	2-33	29		2-36	15
	6-5	2		2-37	33		2-35	8		2-36	22
	6-21	18		2-39	17		2-37	35		2-40	26
	6-45	2		2-43	17		2-48	27		2-44	26
1527881	1-81	9		2-47	11		2-48	29		2-48	15
	1-83	12		2-51	11		2-51	8		2-48	22
1527882	1-39	18		2-55	16		2-53	33		2-52	15
	1-51	5		2-56	28		2-53	34		2-52	22
1527884	1-85			2-59	16		2-79	7		10-45	4
	5-3	14		2-60	28		2-79	14	1541992	2-32	15
1527888	1-85	17	1529598	10-23	2	1531974	2-33	29		2-32	22
	5-3	24	1530243	2-9	5		2-35	8		2-36	15
1527889	1-70	3		2-9	11		2-37	35		2-36	22
1528482	5-3	8		6-22	36		2-48	27		2-40	25
1528573	10-41	4		10-11	6		2-49	29		2-40	26
	10-43	4	1530244	1-85			2-51	8		2-44	25
1528579	7-15	10		2-9	16		2-53	33		2-44	26
	7-17	10	1530960	2-47	7		2-53	34		2-48	22
	8-28	3		2-51	7		2-79	7		2-52	15
	8-32	41		2-77	1		2-79	14		2-52	22
	8-53	22	1530961	2-47	7	1532650	7-20	33		10-45	4
	8-55	31		2-51	7		7-24	33	1545546	6-29	13
	8-60	37		2-77	1		8-40	37		6-33	17
	9-19	13	1530971	6-25	15		9-7	12		6-37	13
	9-21	23	1531001	1-75	13	1532664	2-69	2		6-47	12
	9-23	16		1-77	17	1532904	2-67	1	1547629	2-41	35
	9-42	26		1-85	6	1533810	2-40	27		2-45	35
1528601	6-17	7		2-17	4		2-41	36		2-57	36
1528602	6-17	6		6-19	14		2-44	27		2-61	36
1528888	1-70	4		10-3	3		2-45	36	1547837	2-3	11
	5-3	23	1531312	2-40	20		2-56	26		2-9	12
1528889	1-70	2		2-44	20		2-57	37	1548177	2-3	6
	1-73	4		10-19	10		2-60	26		2-3	6
	1-83	11	1531479	1-93	14		2-61	37		2-3	6

NUMERICAL INDEX (continued)

PART NO.	PAGE	ITEM	PART NO.	PAGE	ITEM	PART NO.	PAGE	ITEM	PART NO.	PAGE	ITEM
	2-10	21		2-70	1		1-89	14		7-35	19
	2-10	21		2-73	1		2-20	4		8-9	5
1549398	5-9	4		2-74	3		5-3	19		8-13	5
	5-11	4		2-76	5		10-45	6		8-24	4
1549715	10-41	13	1554902	2-4	23	1566726	10-19	4		8-28	22
	10-43	13		2-7	5	1571628	1-31	8		8-31	8
1549717	10-41	17		4-11	24	1572889	1-67	12		8-39	29
	10-43	17		4-13	34	1573676	9-3	15		8-53	12
1549718	10-41	18	1556263	5-5	14		9-5	15		8-55	15
	10-43	18	1556266	5-5	15	1573677	8-43	17		8-59	8
1549968	9-19	3	1556322	10-5	7	1574301	1-81	13		9-3	21
	9-21	5	1556397	5-5	10	1578672	6-9	10		9-5	21
1549973	9-19	3	1557151	10-3		1581556	5-7	4		9-29	19
	9-21	5	1558055	1-13	14		8-9	23		9-41	5
1549978	9-19	3		1-31	11		8-13	23	1581567	1-102	4
	9-21	5	1558294	1-13	3		10-17	2		8-53	21
1549998	9-19	4		1-15	4	1581557	7-3	30		8-55	24
	9-21	4	1558301	1-13	12		7-7	30		8-60	32
1550003	9-19	4	1558302	1-15	12		8-9	22	1581577	6-19	9
	9-21	4	1558303	1-15	14		8-13	22	1581578	8-28	20
1550008	9-19	4	1558305	1-15	23	1581558	8-53	20		8-31	26
	9-21	4	1558446	1-15	10		8-55	23		8-56	33
1550078	9-3	2	1561559	2-29	11		8-60	33		8-60	43
	9-5	2		2-32	14	1581559	7-3	33		9-21	20
1550083	9-3	2		2-36	14		7-7	33		9-24	34
	9-5	2		2-48	17		8-7	10		9-41	18
1550088	9-3	2		2-52	17		8-53	9	1581580	7-3	10
	9-5	2		2-66	2		8-55	12		7-7	10
1550124	8-43	3		2-68	3		8-59	14		8-3	9
1550126	8-43	3		10-11	1		9-29	9		8-5	9
1550127	9-13	2	1561755	2-66	2	1581564	7-33	12		8-9	27
1550128	8-43	3		2-68	1		7-35	12		8-13	27
1550131	8-43	3		10-11	1		8-43	28		8-24	20
1550133	9-13	2	1562492	4-11	6	1581565	7-15	17		8-32	40
1550134	8-43	3		4-13	6		7-17	17		8-39	28
1550142	9-13	2	1562649	2-68	1		8-24	15		8-53	23
1553094	2-39	16	1563208	1-56			8-28	13		8-60	38
	2-43	16		1-62			8-31	4		9-3	19
	2-55	15	1563230	1-61	23		8-53	29		9-5	19
	2-59	15	1563231	1-61	24		8-56	35		9-19	11
1553897	2-26	2	1563591	9-9	7		8-60	29		9-23	18
1554877	2-32	25		9-11	7		9-19	23		9-42	28
	2-36	25		9-31	7		9-21	21	1581581	7-15	2
	2-48	25		9-33	7		9-23	11		7-17	2
	2-52	25	1564592	3-9	5		9-41	20		8-24	23
	2-70	1	1565545	1-91	1	1581566	7-3	21		8-31	7
	2-73	1		1-93	12		7-7	21		8-39	32
	2-74	3	1565693	2-15	10		7-15	11		9-3	28
1554879	2-32	25	1566116	2-69	2		7-17	11		9-5	28
	2-36	25	1566117	2-69	3		7-19	27		9-41	3
	2-48	25	1566420	1-75	22		7-23	27	1581582	7-33	16
	2-52	25		1-77	27		7-33	19		7-35	16

NUMERICAL INDEX (continued)

PART NO.	PAGE	ITEM	PART NO.	PAGE	ITEM	PART NO.	PAGE	ITEM	PART NO.	PAGE	ITEM
	8-9	24		10-23	8		7-15	16	1596404	8-43	16
	8-13	24		10-25	8		7-17	16		9-3	14
1581583	7-19	26		10-27	8		7-19	18		9-5	14
	7-23	26		10-29	9		7-23	18	1596406	8-10	38
	8-28	27		10-31	8		8-3	12		8-14	38
	8-40	34	1581834	7-15	13		8-5	12		8-43	8
1581585	7-3	29		7-17	13		8-24	5		9-13	13
	7-4	35		8-24	14		8-31	13		9-35	14
	7-7	29		8-28	5		8-39	5	1596420	7-20	35
	7-8	35		8-31	3		8-43	15		7-24	35
	8-3			8-53	28		9-3	13	1597381	6-57	10
	8-5			8-60	28		9-5	13		9-29	7
	8-9	21		9-19	18		9-27	3	1597442	8-43	2
	8-13	21		9-23	10	1581853	8-32	44		9-27	7
1581589	7-3	34	1581835	8-24	19	1581854	10-21	13	1597448	8-9	29
	7-7	34		8-32	36		10-23	9		8-13	29
	8-7	11	1581836	7-3	20		10-25	9		9-42	24
1581741	6-19	7		7-7	20		10-27	9	1597450	8-9	15
	7-15	20		7-33	6		10-29	10		8-13	15
	7-17	20		7-35	6		10-31	9	1597565	8-53	19
	8-24	21		8-53	11	1582464	2-4	24		8-55	22
	8-28	6		8-55	14		2-7	3		8-60	34
	8-31	30		8-59	9		2-15	11	1597662	8-28	12
	8-53	14		9-3	26		6-25	23		8-31	17
	8-55	17		9-5	26		10-45	8	1597773	2-31	9
	8-59	6		9-29	18	1583611	1-56	20		2-32	28
	9-19	17	1581842	3-3	3		1-61	20		2-35	9
	9-23	12		7-33	8		10-7	6		2-37	34
	9-41	7		7-35	8		10-11	7		2-40	23
	9-42	38		9-19	24	1583945	1-83	7		2-44	23
1581742	8-31	21		9-23	5	1584632	1-59	9		2-47	9
1581829	7-19	17	1581843	9-21	11		1-65	9		2-51	9
	7-23	17		9-23	5	1584638	1-59	11		2-56	24
	8-39	4		9-42	38		1-65	11		2-56	27
	8-43	29	1581848	6-57	12	1584643	1-55	2		2-60	24
	9-3	30	1581849	7-19	19		1-61	2		2-60	27
	9-5	30		7-23	19	1586109	4-11	4		2-69	2
	9-7	6		8-3	14		4-13	4	1597839	2-31	4
1581830	7-15	6		8-5	14	1586428	10-11	5		2-31	5
	7-17	6		8-39	7	1586430	2-7	21		2-35	4
	7-33	13		8-43	14	1586436	5-3	11		2-35	5
	7-35	13		8-53	10	1586759	10-11	4		2-39	9
	8-24	9		8-55	13	1591518	6-6	6		2-39	13
	8-31	11		8-59	15	1593335	1-89	10		2-39	18
	8-53	8		9-3	16		6-21	10		2-40	22
	8-55	11		9-5	16	1593336	5-3	15		2-41	35
	8-59	13		9-7	7	1593347	4-11	13		2-43	9
1581832	8-3	13		9-27	2		4-13	13		2-43	13
	8-5	13		9-29	10	1593629	1-13			2-44	18
	9-27	5	1581852	1-55	14		1-15			2-44	22
1581833	7-13	12		1-62	28	1593895	2-23	3		2-45	35
	10-21	14		6-57	11	1595234	2-26	4		2-47	4

NUMERICAL INDEX (continued)

PART NO.	PAGE	ITEM	PART NO.	PAGE	ITEM	PART NO.	PAGE	ITEM	PART NO.	PAGE	ITEM
	2-47	5		8-13	30	1620170			1620234		
	2-51	4		9-35	6	1620171			1620235		
	2-51	5	1604907	8-7	12	1620172		1620406	8-37		1
	2-55	8	1604911	7-3	12	1620176		1620408	8-37		1
	2-55	9		7-7	12	1620177		1620409	9-5		1
	2-55	17	1605087	7-4	39	1620178		1620410	8-37		1
	2-56	19		7-8	39	1620179		1620411	7-23		1
	2-59	8		8-9	12	1620180		1620413	8-37		1
	2-59	9		8-13	12	1620181		1620414	9-5		1
	2-59	17		9-29	23	1620182		1620415	8-37		1
	2-60	19	1605676	8-43	23	1620183		1620417	7-23		1
1598210	1-21	9		9-13	5	1620184		1620420	9-5		1
1598211	1-21	6	1605688	9-19	5	1620185		1620422	7-23		1
1598305	1-95	11		9-19	5	1620186		1620429	7-23		1
1598328	1-95	11		9-19	5	1620187		1621042	7-19		24
1598330	1-95	11		9-21	6	1620188			7-23		24
1598331	1-95	11		9-21	6	1620189			8-39		31
1598389	1-13	21		9-21	6	1620190		1621043	9-3		23
	1-15	19	1605808	3-7	10	1620194			9-5		23
1598399	1-13	23	1606674	1-97	15	1620195		1621044	7-19		25
	1-27	23	1606855	9-19	7	1620196			7-23		25
1598406	1-13	22		9-23	23	1620197			8-40		33
1598410	1-13	19	1607686	2-18	5	1620198		1621045	9-3		22
1598421	1-31	5	1610939	7-33	5	1620199			9-5		22
1598504	1-55	12		7-35	5	1620200		1621058	8-51		1
	1-62	29	1614087	6-19	14	1620201		1621059	10-27		2
1600856	9-39	1	1615149	1-61	4	1620202		1621060	9-17		1
1600857	8-21	1	1616038	1-47	24	1620206		1621061	10-31		2
1600858	7-13	1	1617657	7-33	4	1620207		1621086	8-28		25
1602533	10-21	1		7-35	4	1620208			8-32		38
1602534	10-25	1		8-53	16	1620209			8-55		25
1602535	10-29	6		8-55	19	1620210			8-60		39
1603274	10-41	1		8-55	19	1620211			9-23		19
1603275	10-41	2		8-60		1620212			9-42		30
1603276	10-41	8		9-19	10	1620213		1621087	8-28		26
1603277	10-41	7		9-21	9	1620214			8-32		39
1603499	3-10	1		9-24	25	1620215			8-55		26
1604900	7-3	5	1617658	8-39	22	1620216			8-60		40
	7-7	5		9-19	6	1620217			9-23		20
	7-13	2		9-24	24	1620221			9-42		31
	8-3	4		9-42	25	1620222		1621158	9-3		27
	8-5	4	1617681	1-61	18	1620223			9-5		27
	8-21	2	1619747	9-19	25	1620224		1621161	8-43		1
	9-27	10	1620161			1620225			9-13		18
	9-39	2	1620162			1620226		1621252	8-10		45
	10-21	21	1620163			1620227			8-14		45
	10-25	20	1620164			1620228			9-35		3
	10-29	1	1620165			1620229		1621258	8-10		39
1604901	10-21	21	1620166			1620230			8-14		39
	10-25	20	1620167			1620231			9-35		4
	10-29	1	1620168			1620232		1621259	8-43		10
1604904	8-9	30	1620169			1620233			9-13		10

NUMERICAL INDEX (continued)

PART NO.	PAGE	ITEM	PART NO.	PAGE	ITEM	PART NO.	PAGE	ITEM	PART NO.	PAGE	ITEM
1621260	8-43	6	1622110			1631161	7-13	7	1631260	9-21	17
	9-13	14	1622122				10-21	15	1631275	8-28	23
1621261	8-43	5	1622123			1631162	7-13	6		8-31	18
	9-13	17	1622124				10-21	18	1631276	8-10	40
1621406	8-35	1	1622215	6-9	6	1631163	7-13	11		8-14	40
1621408	8-35	1	1622946	8-19	10		10-21	16		9-35	1
1621409	9-3	1		8-49	10	1631164	7-3	16	1631290	8-9	10
1621410	8-35	1		9-15	10		7-7	16		8-13	10
1621411	7-19	1		9-37	3		7-13	8	1631291	8-9	20
1621413	8-35	1	1623280	2-31	7		8-7	14		8-13	20
1621414	9-3	1		2-31	12		10-21	19	1631292	8-28	17
1621415	8-35	1		2-35	7	1631185	7-15	4		8-31	27
1621416	7-19	1		2-35	12		7-17	4		8-56	34
1621420	9-3	1		2-47	12	1631188	8-24	7		8-60	44
1621421	7-19	1		2-51	12		8-31	15		9-21	15
1621426	7-19	1		2-79	1	1631191	7-15	14		9-24	35
1621637	8-24	2	1623281	2-31	7		7-17	14		9-41	19
	8-24	2		2-35	7	1631192	7-15	14	1631297	8-28	9
	8-24	2		2-79	1		7-17	14		8-32	43
	8-24	2	1623364	1-29	6	1631196	8-24	3	1631352	9-41	10
	8-24	2	1623393	1-31	7		8-24	3	1631353	9-41	10
	8-32	37	1626490	8-10	37		8-24	3	1631355	9-41	10
	8-53	30		8-14	37		8-24	3	1631356	9-41	11
	8-55	5		8-43	9		8-24	3	1631358	9-41	11
	8-60	41		9-13	12		8-31	29		9-41	11
	9-19	19		9-35	15		8-53	31	1631362	9-41	4
	9-23	17	1626727	2-74	5		8-55	4	1631363	9-42	36
1621646	9-21	22	1627833	2-68	1		8-59	27	1631368	9-27	6
1621932			1627834	1-93	13		9-19	26	1631372	8-24	17
1621933			1627835	1-91	5		9-24	29		8-31	31
1621940				1-93	13		9-41	14		9-41	13
1621943			1630406	8-5	1	1631227	8-28	18	1631376	8-28	8
1621982			1630408	8-5	1		8-31	24		8-31	16
1621983			1630410	8-5	1		9-41	21	1631377	8-28	14
1621984			1630411	7-7	1	1631228	8-55	27		8-31	23
1621985			1630413	8-5	1		8-59	20		8-55	28
1621986			1630415	8-5	1		9-24	31		8-59	19
1621987			1630417	7-7	1	1631233	8-24	11		9-21	14
1621988			1630422	7-7	1		8-32	34		9-24	30
1621989			1630429	7-7	1	1631237	7-3	18		9-41	22
1621990			1631142	8-9	31		7-7	18	1631378	8-28	15
1621991				8-13	31		8-7	15		8-31	25
1621992				9-35	10	1631241	8-9	18		8-55	29
1621993			1631152	7-3	25		8-13	18		8-59	21
1621994				7-7	25	1631244	8-9	19		9-21	13
1621995				8-7	3		8-13	19		9-24	32
1621996			1631153	8-28	21	1631245	8-3	11		9-41	17
1622102				8-31	20		8-5	11	1631381	7-15	3
1622103			1631160	7-3	11		9-27	4		7-17	3
1622104				7-7	11	1631248	8-24	16		8-24	6
1622108				8-3	10		8-28	11		8-31	14
1622109				8-5	10		8-31	33	1631382	8-28	10

NUMERICAL INDEX (continued)

PART NO.	PAGE	ITEM	PART NO.	PAGE	ITEM	PART NO.	PAGE	ITEM	PART NO.	PAGE	ITEM	
	8-32	35		7-7	2	1631929		1-43		19		
1631384	8-28	19	1631529	7-3	2	1631930		1-48		38		
	9-21	16		7-7	2	1631931	1651973	1-39		8		
1631395	8-24	18	1631546	9-35	7	1631932		1-43		17		
	8-31	28	1631574	8-55	7	1631961		1-47		17		
	8-53	26		8-60	42	1631962	1652290	10-11		1		
	8-59	23	1631575	8-53	4	1631963	1652295	6-21		24		
	9-19	22		8-59	7	1631964		6-45		9		
	9-23	8	1631606	8-3	2	1631965	1653632	1-29		4		
	9-41	16		8-5	2	1631966	1653846	6-17		5		
1631396	8-10	43	1631608	8-3	2	1631967	1653847	6-17		4		
	8-14	43		8-5	2	1631968	1654228	4-5		5		
	9-35	5	1631610	8-3	2	1631969	1654265	3-3		1		
1631406	8-3	1		8-5	2	1631970	1654266	3-3		2		
1631408	8-3	1	1631613	8-3	2	1631971	1654824	4-11		25		
1631410	8-3	1		8-5	2	1631972		4-17				
1631411	7-3	1	1631615	8-3	2	1631973	1654825	4-13		32		
1631413	8-3	1		8-5	2	1631974		4-17				
1631415	8-3	1	1631666	8-7	1	1631975	1655172	2-40		25		
1631417	7-3	1	1631668	7-7	4	1637285		2-44		25		
1631422	7-3	1	1631669	7-3	4			1-61	5	1655181	2-70	5
1631429	7-3	1	1631671	8-7	1	1641351		5-3	18		2-73	7
1631449	10-21	1	1631672	7-7	4	1641640		1-17		1655183	2-32	23
	10-25	1	1631673	7-3	4			1-19	3		2-32	24
	10-29	6	1631676	7-7	4	1642156		7-11	4		2-36	23
	10-31	2	1631677	7-3	4			8-17	4		2-36	24
1631483	8-9	26	1631683	7-7	4	1642160		7-11			2-39	8
	8-13	26	1631684	7-3	4			8-17			2-43	6
1631484	7-15	9	1631706	8-3	3	1644804		1-17	4		2-43	8
	7-17	9		8-5	3			1-19	1		2-48	23
	8-24	12	1631708	8-3	3	1644858		4-2	1		2-48	24
	8-31	5		8-5	3	1644859		4-2	1		2-52	23
1631492	7-3	7	1631710	8-3	3			4-2	1		2-52	24
	7-7	7		8-5	3	1646727		1-25	13		2-55	6
	7-13	4	1631713	8-3	3			1-29	11		2-55	7
	8-3	6		8-5	3	1646980		8-53	27		2-59	6
	8-5	6	1631715	8-3	3			8-59	26		2-59	7
	8-21	4		8-5	3			9-19	20	1655184	2-39	6
	9-27	9	1631808	9-27	13			9-23	9		2-39	7
	9-39	3	1631813	9-27	13	1647929		2-23	6		2-39	8
	10-21	22	1631819	9-27	13	1648871		8-19	3		2-43	6
	10-25	21	1631908	9-27	1			9-37	1		2-43	7
	10-29	3	1631913	9-27	1	1650417		1-85	1		2-43	8
1631499	8-21	6	1631919	9-27	1	1650418		1-85	1		2-55	5
	9-39	6	1631921			1650419		1-85	1		2-55	6
	10-25	16	1631922			1650640		1-67	8		2-55	7
	10-29	19	1631923					1-69	27		2-59	6
1631511	7-3	2	1631924			1650732		6-11	9		2-59	7
	7-7	2	1631925			1651256		1-81	1	1655187	2-80	6
1631517	7-3	2	1631926			1651257		1-81	1	1655195	2-29	8
	7-7	2	1631927			1651258		1-81	1		2-45	43
1631522	7-3	2	1631928			1651284		1-39	5		2-61	44

NUMERICAL INDEX (continued)

PART NO.	PAGE	ITEM	PART NO.	PAGE	ITEM	PART NO.	PAGE	ITEM	PART NO.	PAGE	ITEM
	2-68	2	1661879	4-11	3	1663739	1-43	13	1671503	1-39	2
	2-79	8		4-13	3		1-47	13	1671504	1-39	1
1655865	1-67		1661883	4-11	1	1664431	4-5	8	1671505	1-39	2
	1-69	2		4-13	1	1665255	6-11	4	1671506	1-39	1
	1-69	10	1661959	1-5	2		6-13		1671507	1-39	2
1655986	5-7	8		1-9	2	1665541	1-85	13	1671508	1-39	1
1656046	5-3	12		1-23			1-87	17	1671509	1-39	2
	5-5		1661960	1-5	2	1665758	10-3	2	1671849	5-5	11
1656319	5-3	7		1-9	2		10-7	9	1671850	5-5	12
1656645	1-85	2		1-23			10-9	4	1671852	5-5	13
1656646	1-85	2	1661961	1-5	2	1665774	6-15	1	1671853	5-5	16
1656647	1-85	2		1-9	2	1665775	6-15	6	1671854	5-5	17
1656950	3-10	1		1-23		1665776	6-15	6	1671867	5-5	
1656998	1-39	14	1661962	1-5	4	1666527	1-79	1	1671887	2-66	1
	1-43	25		1-9	4	1667197	5-7	3	1672023	2-17	1
	1-48	35		1-25	1	1668356	4-7	33	1672692	10-9	6
1657013	6-25	13		1-27		1669443	1-39	10	1672731	4-2	1
1657014	6-25	24	1661963	1-5	4		1-43	7	1672827	1-40	21
1657016	6-25	12		1-9	4		1-47	7		1-51	13
1657021	6-25	14		1-25	1	1669533	1-23	1	1673283	5-3	3
1657116	1-85	11		1-27		1669535	1-23	1	1673292	1-81	3
	1-87	15	1661964	1-9	3	1669537	1-23	1	1673312	8-9	28
	1-89	20		1-11		1669557	1-40	30		8-13	28
1657189	6-57	20	1661965	1-9	3		1-51	12	1673415	1-95	8
1657190	6-57	23		1-11		1669558	1-51	9	1673565	8-28	7
1657194	6-57	22	1661967	1-9	3	1669559	1-51	9		8-31	19
1657222	1-87	10		1-11		1669560	1-51	9	1673605	1-56	24
	2-17	9	1662323	1-39	4	1670032	10-23	28		1-62	36
1657413	3-10	1		1-43	18		10-27	27		2-3	2
1657419	1-39	17	1662324	1-39	4		10-31	27		2-7	16
	1-51	6		1-43	18		10-33	5		2-48	
1657420	1-87	9	1662383	1-11	1		10-35	5		2-53	
1657926	3-10	1		1-15			10-37	5	1673607	1-56	24
1657955	3-10	1	1662384	1-11	2	1670540	7-15	18		1-62	36
1658900	3-5	17		1-13			7-17	18		2-3	2
1658934	8-7	19	1662385	1-11	1	1671193	1-51	9		2-7	16
	8-10	42		1-15		1671194	1-51	9		2-32	
	8-14	42	1662386	1-11	2	1671195	1-51	9		2-37	
	9-13	19		1-13		1671196	1-51	9	1673754	6-19	
	9-35	2	1662387	1-11	1	1671197	1-51	9		10-23	29
1660012	4-5	6		1-15		1671198	1-51	9		10-27	28
1661053	1-40	23	1662388	1-11	2	1671199	1-51	9		10-31	28
	1-43	14		1-13		1671200	1-51	9		10-33	4
	1-47	14	1662391	1-5	1	1671201	1-51	9		10-35	4
	6-22	37		1-9	1	1671258	1-39	3		10-37	4
1661162	1-40	32		1-21		1671259	1-39	3	1673825	2-69	4
	1-43	3	1662409	10-7	7	1671260	1-39	3	1673826	2-69	4
	1-47	3		10-7	8	1671498	1-39	1	1673871	1-85	7
1661509	1-67	4		10-11	8	1671499	1-39	2	1674088	1-21	21
1661511	1-67	2	1663435	1-101	1	1671500	1-39	1	1674089	1-21	22
	1-69	1	1663441	1-101	1	1671501	1-39	2	1674165	6-21	6
	1-69	9	1663633	2-17	1	1671502	1-39	1	1674167	6-21	5

NUMERICAL INDEX (continued)

PART NO.	PAGE	ITEM	PART NO.	PAGE	ITEM	PART NO.	PAGE	ITEM	PART NO.	PAGE	ITEM
1675380	3-9	1	1677333	2-20	1	1684233	6-3	20	1691496	4-7	8
1675401	3-9	2	1677450	5-3	1	1684239	5-7	9	1691497	4-7	12
1675402	3-9	3	1677455	5-3	2	1684363	6-9	9	1691498	4-7	6
1675403	3-9	4	1677464	5-3		1684364	6-9		1691499	4-7	5
1675413	3-9	7	1677543	1-87	2	1684421	1-87	11	1691500	4-7	13
1675414	3-9	8		1-89	1		1-89	5	1691501	4-7	4
1675415	3-9	6	1677544	1-87	2	1684499	3-7	2	1691502	4-7	26
1675547	1-87	1		1-89	1	1684506	3-7	4	1691503	4-7	35
1675548	1-87	1	1677545	1-87	2	1684513	3-5	7	1691504	4-7	2
1675549	1-87	1		1-89	1	1684517	3-5	18	1691505	4-7	34
1675581	4-11	4	1677718	2-17	8	1684531	3-5	6	1691506	4-7	30
	4-13	4	1677854	1-39	5	1684632	3-7	9	1691507	4-7	31
1675582	4-11	4	1678050	1-53	1	1684643	3-5	2	1691508	4-7	2
	4-13	4	1678051	1-53	2	1684644	3-5	3		4-7	38
1675583	4-11	4	1678052	1-53	2	1684647	3-5	1	1691509	4-7	19
	4-13	4	1678053	1-53	2	1686654	3-5	12	1691510	4-7	28
1675589	6-9	4	1678054	1-53	2	1686655	3-5	13	1691511	4-7	27
1675590	6-9	5	1678055	1-53	3	1686656	3-5	11	1691512	4-7	11
1675592	6-9	12	1678056	1-53	3	1686657	3-5	9	1691513	4-7	23
1675593	6-9		1678057	1-53	4	1686658	3-5	10	1691514	4-7	20
1675906	1-95	5	1678172	6-3	17	1686659	3-5	8	1691515	4-7	21
	1-95	7	1678198	1-39	5	1686661	3-5	15	1691516	4-7	22
1676097	8-28	16		1-43	19	1687354	1-85	15	1691517	4-7	2
	8-31	32		1-48	38		1-87	19		4-7	39
	8-55	30	1678212	1-85	10		1-89	11	1691518	4-7	2
	8-59	22		1-87	14	1687430	6-21	22		4-7	37
	9-21	18		1-89	19		6-45	13	1691519	4-7	29
	9-24	33	1678232	1-39	5	1687435	2-4	20	1691520	4-7	15
	9-42	23		1-43	19	1688347	6-11	10	1692266	6-6	11
1676335	6-13	5		1-48	38	1690157	4-7	2	1692267	6-6	12
1676341	6-13	1	1678267	6-5	5	1690158	4-7		1692268	6-6	4
1676342	6-13		1678268	6-5	4	1690159	4-7		1692269	6-6	5
1676810	7-15	15	1678497	2-23	5	1690160	4-7	2	1692271	6-6	13
	7-17	15	1682693	2-9	2	1690161	4-8		1692273	6-6	14
	8-24	8	1682736	2-32	25	1691167	10-11	1	1692274	6-6	15
	8-31	10		2-36	25	1691168	5-3	20	1692275	6-6	18
1676811	7-3	31		2-48	25		6-19	9	1692276	6-6	8
	7-7	31		2-52	25	1691170	5-3	10	1692284	4-13	27
1676812	7-3	32		2-70	1	1691480	4-8		1693371	10-7	9
	7-7	32		2-73	1	1691481	4-8		1693441	1-75	18
	8-7	9		2-74	3	1691482	4-7			1-77	22
1676880	7-15	5		2-76	5	1691484	4-7	10	1693738	2-20	5
	7-17	5	1682764	6-25	16	1691485	4-7	3	1694085	2-17	1
	8-24	10	1682826	2-17	2	1691486	4-7	7	1694442	2-4	29
	8-31	12	1682827	2-17	2	1691487	4-7	14		10-7	
1676884	1-81	11	1682972	2-13	1	1691488	4-7	25	1694521	1-67	
	1-83	13	1682973	2-13	9	1691489	4-7	24	1694537	10-11	2
1677113	1-40	25	1682974	2-15	6	1691490	4-7	18	1694539	10-11	2
1677115	1-40	26	1682975	2-15	8	1691491	4-7	36	1694613	6-25	22
	1-43	22	1683346	10-12	3	1691492	4-7	17	1694618	1-31	12
	1-48	32	1683484	6-17	5	1691493	4-7	16	1694632	6-17	16
1677284	1-85	7	1684063	4-5	13	1691495	4-7	9	1694646	2-13	10

NUMERICAL INDEX (continued)

PART NO.	PAGE	ITEM	PART NO.	PAGE	ITEM	PART NO.	PAGE	ITEM	PART NO.	PAGE	ITEM
	2-15	9	1696161	9-3	18		1-77	20		6-39	2
1694700	1-56			9-5	18	1698799	1-83	3	1701824	6-37	8
1694703	1-11	8	1696225	6-47	5	1698800	1-83	4		6-39	3
1694704	1-11	8	1696228	6-47	13	1698801	1-83	6	1701825	6-39	4
1694706	1-11	4		6-53		1698802	1-83	16	1701826	6-39	5
1694731	6-21	2	1696231	2-18	6	1698875	1-51	1	1701827	6-39	6
1694830	1-56	28	1696232	2-18	6	1699110	4-5	15	1701828	6-39	7
	1-62	40	1696266	6-47	4	1699224	1-25	4	1701829	6-39	8
	2-4	27		6-47	5		1-29	14	1701830	6-29	16
	6-25	7		6-47	6	1699334	1-23	10		6-33	20
	6-25	30		6-51			1-33			6-39	
1694943	2-25	17	1696296	6-37	9	1699347	6-25	11	1701836	6-37	2
1695059	1-13	5		6-49	1	1699348	6-25	10	1701837	6-37	3
	1-15	6		6-51	1	1699349	6-25	9	1701838	6-37	4
1695061	1-13	10	1696297	6-49	6	1699350	6-25	8	1701839	6-37	5
	1-15	24		6-51	2	1699447	1-25	3	1701840	6-37	6
1695062	1-13	11	1696298	6-49	4	1701367	6-47	15	1701843	6-37	10
	1-15	11		6-51	3	1701368	6-29	10	1701845	6-29	8
1695063	1-15	20	1696299	6-49	3		6-33	10		6-33	8
1695064	1-15	18		6-51	4		6-47	15		6-41	
1695065	1-15	17	1696300	6-49	2	1701369	6-29	10	1701846	6-41	1
1695066	1-15	16		6-51	5		6-33	10	1701847	6-41	2
1695067	1-15	25	1696306	6-49	5		6-47	15	1701848	6-41	1
1695158	1-75	6	1696308	6-49	7	1701370	6-47	15	1701849	6-29	8
	1-77	10	1696309	6-49	8	1701371	6-47	15		6-33	8
1695520	6-45	8	1696310	6-49	9	1701372	6-47	15		6-41	
1695591	1-85		1696311	6-37	11	1701373	6-29	10	1701850	5-3	13
1695593	1-85			6-49	10		6-33	10	1701853	6-29	7
1695594	1-85		1696312	6-47	8		6-47	15		6-33	7
1695661	2-3	4		6-51	7	1701654	6-29	11		6-37	14
	2-7	17	1696315	6-47	10		6-33	11	1701854	6-29	6
1695672	1-81	2		6-47	10		6-39	14		6-33	6
1695690	1-56	22	1696317	6-47	9		6-42			6-39	11
	1-61	22	1696318	6-47	14	1701815	6-29	10	1701855	6-29	2
1695792	4-5	7		6-49	15		6-33	10		6-33	12
1695793	4-5	12	1696319	6-47		1701816	6-29	10		6-39	10
1695958	6-17	8	1696414	6-49			6-33	10	1701856	6-29	9
1695978	6-47	7	1696418	6-53	3	1701817	6-29	10		6-33	9
	6-49	16	1696419	6-53	2		6-33	10		6-37	
	6-51	6	1696420	6-53	1	1701818	6-29		1701857	6-29	5
1695979	6-47	1	1696453	6-53	1		6-33			6-33	5
	6-49		1697013	1-21	25	1701819	6-33	9		6-39	1
1695980	6-47	2	1697128	2-19	10		6-37		1701858	6-29	4
	6-51		1697143	2-18	1	1701820	6-33	2		6-39	1
1695981	6-47	3		2-18	2		6-33	3	1701859	6-29	3
	6-51		1697181	2-73	4		6-33	4		6-33	3
1695982	6-47	4		2-77	3		6-33	5		6-39	1
1695984	6-47	6	1697341	10-15	4		6-33	12	1701860	6-33	2
1695985	6-47	13	1697553	10-12	2		6-39			6-39	1
	6-53		1698449	2-83	20	1701821	6-33	1	1701861	6-29	1
1696034	6-25	33		2-85	20		6-40			6-33	1
1696039	6-17	3	1698539	1-75	16	1701823	6-37	7		6-40	1

NUMERICAL INDEX (continued)

PART NO.	PAGE	ITEM	PART NO.	PAGE	ITEM	PART NO.	PAGE	ITEM	PART NO.	PAGE	ITEM
1702413	1-83		1703768	1-27	31		2-85	13	1708213	1-23	3
1702593	2-65	12	1703769	1-27	22	1705384	2-9	13	1708214	1-23	2
1702594	2-65	11	1703770	1-25	14		2-25		1708215	1-23	2
1702595	2-65	15	1703771	1-27	26	1705606	1-43	1	1708217	1-15	2
1702735	1-43	15	1703772	1-27	32		1-47	1		1-19	
	1-47	15		1-27	32	1705632	4-17		1708218	1-15	5
	6-21	7	1703890	1-59	8	1705713	2-23	13	1708219	1-15	8
1702969	1-33	11		1-65	8	1705714	2-23	12	1708221	1-13	9
1703512	6-42	4	1703891	1-59	1	1705715	2-23	11		1-15	9
1703513	2-83	9		1-65	1	1706004	2-39	5	1708223	1-15	2
	2-85	9	1703892	1-55	4		2-43	5		1-19	
1703718	1-23	7		1-61	7		2-59	5	1708224	1-15	8
1703719	1-23		1703893	1-55	5	1706046	1-23		1708225	1-15	3
1703720	1-23	7		1-61	8	1706047	1-23		1708226	1-15	2
1703721	1-23	7	1703894	1-55	5	1706048	1-23			1-19	
1703722	1-29	1	1703895	1-56		1706049	1-25		1708227	1-15	8
1703723	1-29	2		1-62		1706062	1-40	28	1708228	1-15	3
1703724	1-11	3	1703896	1-56			1-51	11	1708229	1-15	3
1703725	1-11	3	1703898	1-55	2	1706822	1-43	5	1708230	1-13	1
1703727	1-11	13	1703899	1-55	3		1-47	5	1708231	1-13	2
1703728	1-11	11		1-61	5	1706823	1-43	5		1-17	
1703729	1-29	3	1703900	1-55	1		1-47	5	1708232	1-13	20
1703730	1-29	8	1703901	1-55	2	1706824	1-43	5	1708233	1-13	17
1703731	1-29	9	1703902	1-55	3		1-47	5	1708234	1-13	27
1703732	1-31	1		1-61	5	1706841	2-9	14	1708235	1-13	24
1703733	1-31	2	1703903	1-55	1	1707024	6-3	11	1708236	1-13	26
1703734	1-31	3		1-61	5	1707096	10-41	5	1708237	1-13	16
1703735	1-31	4	1703904	1-55	6		10-43	3	1708238	1-13	13
1703737	1-31	6	1704063	2-25		1707398	4-13	19	1708239	1-13	1
1703741	1-31	9	1704064	2-25	10	1707399	4-13	7	1708240	1-13	2
1703742	1-31	10	1704494	2-63	6	1707400	4-13	31		1-17	
1703743	1-31	1	1704495	2-63	7	1707401	4-13	21	1708241	1-13	20
1703744	1-31	1	1704528	2-83	13	1707402	4-11	22	1708242	1-13	1
1703745	1-21	4		2-85	13		4-13	26	1708243	1-13	2
1703746	1-21	15		2-85	13	1707403	4-13	22		1-17	
1703747	1-21	20		2-85	13	1707404	4-13	24	1708244	1-13	20
1703748	1-21	7	1704529	2-83	14	1707405	4-13	25	1708540	10-19	5
1703749	1-21	1		2-85	14	1707406	4-13	28	1708802	2-25	6
1703750	1-27	1	1704570	6-21	32	1707407	4-11	15	1708803	2-25	7
1703751	1-27	9		6-45	16		4-13	16	1708805	2-25	8
1703752	1-27	8	1704608	4-14	1	1707426	4-11	7	1709587	2-83	8
1703756	1-27	11	1704652	2-65	3	1707427	4-11	18		2-85	8
1703757	1-27	17	1704795	4-14	7	1707428	4-11	20	2004005	2-26	5
1703758	1-27	18	1704828	2-63	8	1707429	4-11	19		6-15	3
1703759	1-27	16	1704844	1-33	3	1707430	4-11	21	2013099	8-49	9
1703760	1-27	21	1704887	2-25	3	1707679	5-3	13		9-15	9
1703761	1-27	27	1704892	2-25	4	1707681	6-21	21	2022617	1-75	15
1703762	1-27	29	1704894	2-25	5		6-45	12		1-75	15
1703763	1-27	28	1705047	6-19	10	1708023	4-2	1		1-77	19
1703764	1-27	25	1705049	6-25	17		4-2	1		1-77	19
1703765	1-27	20	1705202	2-65	2	1708024	4-2	1	2027655	1-75	10
1703766	1-27	30	1705359	2-83	13	1708212	1-23	2		1-77	14

NUMERICAL INDEX (continued)

<u>PART NO.</u>	<u>PAGE</u>	<u>ITEM</u>	<u>PART NO.</u>	<u>PAGE</u>	<u>ITEM</u>	<u>PART NO.</u>	<u>PAGE</u>	<u>ITEM</u>	<u>PART NO.</u>	<u>PAGE</u>	<u>ITEM</u>
2027940	1-43	4		10-27	5		2-60	19		9-31	
	1-47	4		10-29	23		2-61	36	2069344	9-9	
2033694	2-70	6		10-31	5	2060696	4-5	3		9-31	
	2-73	9	2043533	10-21	5	2061646	6-29	12	2069414	2-27	3
2034347	1-101	2		10-23	6		6-33	16		2-29	6
2035275	2-31	1		10-25	6		6-37	12	2070996	1-81	12
	2-35	1		10-27	6		6-47	11		1-83	5
	2-40	29		10-29	22		6-49	11	2071260	10-19	7
	2-40	31		10-31	6	2062875	1-67	15	2071261	1-75	12
	2-44	29	2044379	6-55	11		1-69	23		1-77	16
	2-44	31	2046035	4-11	12	2063991	1-73	9		10-15	5
	2-47	1		4-13	14	2064554	1-11			10-17	4
	2-51	1	2046094	9-33	13		1-44		2074859	1-33	8
	2-56	30	2046866	1-13	15		1-48		2076752	1-40	27
	2-56	32	2047064	6-55	3	2065667	1-67	11		1-43	16
	2-60	30	2048064	1-53	6		1-75	11		1-47	16
	2-60	32	2049939	1-97	1		1-77	5	2081418	10-41	14
2035276	2-27	3	2050926	1-103	1		1-77	15		10-43	14
	2-29	6	2054827	4-2	1	2066643	2-7	6	2082660	3-3	14
	2-31	1	2055495	7-31			10-5	1		3-5	
	2-35	1	2056243	2-39	15		10-5	9		3-7	
	2-39	15		2-43	15	2068156	8-49	2	2082661	3-3	5
	2-39	16		2-55	14	2068158	8-49	2		3-5	
	2-40	29		2-59	14	2068159	9-15	2		3-7	
	2-40	31	2056826	10-9	7	2068160	8-49	2	2083378	3-10	1
	2-43	15	2056867	10-23	1	2068163	8-49	2	2083394	4-2	1
	2-43	16	2060555	2-31	4	2068164	9-15	2	2083690	1-95	9
	2-44	29		2-31	5	2068165	8-49	2	2085024	9-13	3
	2-44	31		2-35	4	2068170	9-15	2	2085029	9-13	3
	2-47	1		2-35	5	2068337	6-11	11	2085043	8-43	19
	2-51	1		2-39	9	2068407	1-97	14	2085045	8-43	19
	2-55	14		2-39	13	2069276	9-9	1	2085046	8-43	19
	2-55	15		2-40	18		9-11	1	2085048	8-43	19
	2-56	30		2-40	22		9-31	1	2088706	5-3	22
	2-56	32		2-41	35		9-33	1	2088707	5-3	21
	2-59	14		2-43	9	2069281	9-9	1	2089058	4-7	32
	2-59	15		2-43	13		9-11	1	2091042	9-13	3
	2-60	30		2-44	18		9-31	1	2091150	2-9	1
	2-60	32		2-44	22		9-33	1	2091228	2-9	1
2035605	3-10	1		2-45	35	2069286	9-9	1	2091710	7-19	
2043528	10-21	6		2-47	4		9-11	1		7-23	
	10-23	4		2-47	5		9-31	1	2091715	7-19	
	10-25	3		2-51	4		9-33	1		7-23	
	10-27	4		2-51	5	2069306	9-11		2091720	7-19	
	10-29	5		2-55	8		9-33			7-23	
	10-31	4		2-55	9	2069311	9-11		2091725	7-19	
	10-38			2-55	17		9-33			7-23	
2043530	10-27	7		2-56	19	2069316	9-11		2091886	9-3	
	10-31	7		2-57	36		9-33			9-5	
2043531	10-21	4		2-59	8	2069334	9-9			9-7	
	10-23	5		2-59	9		9-31			9-13	
	10-25	5		2-59	17	2069339	9-9		2091891	9-3	

NUMERICAL INDEX (continued)

PART NO.	PAGE	ITEM	PART NO.	PAGE	ITEM	PART NO.	PAGE	ITEM	PART NO.	PAGE	ITEM
	9-5		2094541	9-37	15	2097354	6-15	5	2099306	2-77	
	9-7		2094542	8-19	1	2097420	7-35	1		6-11	12
	9-13		2094545	8-19	1	2097423	7-33	1	2099415	6-11	5
2091896	9-3		2094546	9-37	15	2097427	7-35	1	2099494	9-9	3
	9-5		2094547	8-19	1	2097428	7-33	1		9-31	3
	9-7		2094552	8-19	2	2097430	7-35	1	2099499	9-9	3
	9-13		2094554	8-19	2	2097433	7-33	1		9-31	3
2092008	8-35		2094555	9-37	6	2097448	7-35	1	2099504	9-9	3
	8-37		2094556	8-19	2	2097449	7-33	1		9-31	3
	8-39		2094559	8-19	2	2097481	9-24	36	2099551	1-95	10
	8-43		2094560	9-37	6	2097482	9-24	36		1-95	10
2092010	8-35		2094561	8-19	2	2097484	9-21	3	2099597	8-9	17
	8-37		2094578	2-3	3	2097487	9-24	36		8-13	17
	8-39			2-20	1	2097497	8-59	2	2099621	3-10	1
	8-43		2094579	2-3	3	2097499	8-53	2		3-10	1
2092012	8-35			2-20	1		8-59	2	2099622	3-10	1
	8-37		2094610	6-5	1	2097502	8-53	2		3-10	1
	8-39			6-6			8-59	2	2099686	10-21	
	8-43		2094674	9-11	4	2097504	8-53	2	2099687	10-25	
2092014	8-35			9-33	4	2097506	8-53	2	2099688	10-29	
	8-37		2094675	9-9	4		8-59	2	2099689	10-21	10
	8-39			9-31	4	2097516	8-53	2	2099908	7-3	
	8-43		2094688	6-29		2097549	9-24	38		7-7	
2092016	8-35		2094689	6-29		2097552	9-21	2	2099914	7-3	
	8-37		2094798	5-9	1	2097565	8-59	1		7-7	
	8-39		2094918	4-5	1	2097567	8-53	1	2099919	7-3	
	8-43			4-7			8-59	1		7-7	
2092258	3-3	6	2094963	7-11		2097569	8-53	1	2099925	8-3	
	3-3	13	2095325	10-9	1		8-59	1		8-5	
	3-9		2095405	2-65	5	2097572	8-53	1		8-7	
2092532	10-7	2	2095472	10-9	2	2097574	8-53	1		8-9	
2092533	10-7	1	2095483	10-9	8		8-59	1		8-13	
2093070	6-55	2	2096392	1-87	5	2097576	8-53	1	2099927	8-3	
2093071	6-55	1	2096575	2-79		2097993	8-19			8-5	
2093072	6-55		2096576	2-4	22	2098436	6-55			8-7	
	6-57	1		2-29			6-57	1		8-9	
2093073	6-55		2096652	1-75	5	2098437	6-55	2		8-13	
	6-57	1		1-77	9	2098529	7-11	2	2099930	8-3	
2093512	8-19		2096908	8-17	1	2098534	7-11	2		8-5	
2094278	7-11	1	2096910	8-17	1	2098562	7-11	1		8-7	
2094421	8-19	13	2096912	8-17	1	2098567	7-11	1		8-9	
	9-37	9	2096914	8-17	1	2098569	7-11			8-13	
2094434	2-15	1	2096916	8-17	1	2098574	7-11		2099933	8-3	
2094435	2-13	7	2096943	8-17		2098670	7-13			8-5	
2094525	8-19		2096945	8-17		2098671	8-21			8-7	
2094527	8-19		2096947	8-17		2098672	9-39			8-9	
2094528	9-37		2096949	8-17		2098771	6-29			8-13	
2094529	8-19		2096951	8-17		2098968	10-11	8	2099935	8-3	
2094532	8-19		2097036	9-19	8	2098969	10-7	8		8-5	
2094533	9-37		2097346	6-15	2	2098970	10-7	7		8-7	
2094538	8-19	1	2097352	6-15	5	2099212	6-17	15		8-9	
2094540	8-19	1	2097353	6-15	5	2099214	6-17	15		8-13	

NUMERICAL INDEX (continued)

PART NO.	PAGE	ITEM	PART NO.	PAGE	ITEM	PART NO.	PAGE	ITEM	PART NO.	PAGE	ITEM
2099947	1-55	7		8-28	1	2102352	9-15		2104253	9-19	2
	1-61	23	2100460	7-17	1	2102640	1-99	1		9-23	2
2099949	1-56	23	2100463	7-15	1	2102880	9-7	15	2104366	9-24	38
	1-61	24	2100467	7-17	1	2102881	7-20	32	2104367	9-21	2
2099950	1-56		2100468	7-15	1		7-24	32	2104368	9-24	38
	1-62		2100470	7-17	1	2103112	7-11	2	2104370	9-21	2
2099960	8-13	2	2100473	7-15	1	2103127	7-11	1	2104374	9-21	3
2099962	8-13	2	2100477	7-17	1	2103157	6-45	1	2104382	9-21	3
2099963	8-9	2	2100478	7-15	1		6-47		2104442	9-37	15
2099964	8-13	2	2100705	2-66		2103162	6-45	1	2104446	9-37	6
2099965	8-9	2		6-25	29		6-47		2104679	2-20	2
2099967	8-9	2	2100753	7-11		2103170	6-5	8	2104690	9-27	
	8-13	2	2101417	7-19	30		6-9		2104695	9-27	
2099968	8-13	2		7-23	30	2103183	8-43	19	2104753	9-11	3
2099969	8-9	2		8-40	38	2103293	10-21	11		9-33	3
2099971	8-9	2		9-7	14	2103457	4-11	2	2104758	9-11	3
2100010	9-29	20	2101546	2-27	6		4-13	2		9-33	3
2100011	7-4	36		2-29	3	2103471	6-3	14	2104772	9-11	3
	7-8	36	2101602	1-55		2103516	8-55	2		9-33	3
	8-9	14	2101603	1-55		2103518	8-55	2	2104877	10-43	1
	8-13	14	2101789	1-77	4		8-59	17	2104878	10-43	2
	9-29	13	2101790	1-77	3	2103520	8-55	2	2104879	10-43	7
2100204	2-39	6	2101791	1-75	2	2103522	8-55	2	2104880	10-43	8
	2-39	7	2101792	1-75	3		8-59	17	2104887	10-41	1
	2-39	8	2101850	2-3	12	2103524	8-55	2	2104888	10-41	2
	2-43	6		2-9	7	2103552	8-55	1	2104889	10-41	7
	2-43	7	2101851	2-3	10	2103554	8-55	1	2104890	10-41	8
	2-43	8		2-9	8		8-59	18	2104951	10-43	1
	2-55	6	2101852	2-3	11	2103556	8-55	1	2104952	10-43	2
	2-55	7		2-9	12	2103558	8-55	1	2104953	10-43	7
	2-59	6	2101887	2-4	18		8-59	18	2104954	10-43	8
	2-59	7		2-9	6	2103560	8-55	1	2105365	2-4	21
2100218	2-4	22	2101893	1-75	1	2103962	10-27	1		2-7	25
	2-27			1-77	1	2103963	10-31	1		2-68	
2100287	7-3		2101894	1-77	2	2103993	9-27		2105366	6-15	2
	7-7		2101895	1-75	1	2104011	6-25	5	2105367	6-15	2
2100367	2-3	14		1-77	1	2104012	6-25	6		6-15	2
	2-7	13	2101896	6-25	35		6-25	28	2105368	6-17	15
2100368	6-11	3	2102004	2-4	18		6-25	31	2105657	9-41	2
2100404	8-31	1		2-9	6	2104014	6-25	28	2105662	9-41	2
2100406	8-24	1	2102005	2-4	18	2104018	9-37		2105667	9-41	2
	8-28	1		2-9	6	2104092	4-5	2	2105674	9-41	1
	8-31	1	2102006	2-4	18	2104214	9-19	1	2105679	9-41	1
2100408	8-24	1		2-9	6		9-23	1	2105684	9-41	1
	8-28	1	2102184	1-89	9	2104219	9-19	1	2105691	9-42	35
	8-31	1	2102338	8-49			9-23	1	2105696	9-42	35
2100412	8-24	1	2102340	8-49		2104224	9-19	1	2105701	9-42	35
	8-28	1	2102341	9-15			9-23	1	2105708	9-42	34
2100416	8-24	1	2102342	8-49		2104243	9-19	2	2105713	9-42	34
	8-28	1	2102345	8-49			9-23	2	2105718	9-42	34
	8-31	1	2102346	9-15		2104248	9-19	2	2105928	2-3	9
2100420	8-24	1	2102347	8-49			9-23	2		2-7	22

NUMERICAL INDEX (continued)

PART NO.	PAGE	ITEM	PART NO.	PAGE	ITEM	PART NO.	PAGE	ITEM	PART NO.	PAGE	ITEM
2105998	5-3	17		2-85	12	2108499	2-83	1	2110791	2-83	2
2105999	2-3	5		6-25	1	2108501	2-85	1		2-83	3
	2-9	19	2107382	10-11	8	2108502	2-85	1		2-83	4
2106273	7-11	2	2107383	10-7	8	2108504	2-85	1		2-85	2
2106274	8-17	2	2107384	10-7	7	2108505	2-83	1		2-85	3
2106275	8-17	2	2107405	1-29	13	2108506	2-85	1		2-85	4
2106276	8-17	2		2-76		2108514	2-83	1		2-85	5
2106277	8-17	2	2107567	1-53	8	2108516	2-85	1	2110792	2-85	5
2106286	8-17	2	2107568	1-53	8	2108517	2-83	1	2110793	2-83	3
2106455	8-28	2	2107656	2-4	21	2108518	2-85	1		2-85	3
	8-28	2		2-7	4	2108664	1-91	3	2110803	6-19	1
	8-28	2		2-69			1-93	4	2110804	6-19	2
	8-31	2	2107658	6-21	17	2108682	6-15	2	2110805	6-19	3
	8-31	2	2107660	6-25	26		6-15	2	2110806	6-19	4
	8-31	2	2107661	2-67		2108778	1-91		2110807	6-19	1
2106456	8-28	2		6-25	4	2108779	1-91	2	2110808	6-19	2
	8-28	2	2107737	5-9	6	2108780	1-91	4	2110809	6-19	3
	8-31	2		5-11	6	2108815	2-3	7	2110810	6-19	4
	8-31	2	2107777	10-3	1		2-9	20	2110942	2-83	19
2106495	8-31	22	2107783	6-17	1	2108816	2-3	6		2-85	19
2106496	8-31	22	2107785	6-17	1		2-9	21	2110943	2-83	18
2106498	8-31	22	2107952	2-69	5	2108817	2-3	7		2-85	18
2106549	5-9	5		2-69	6		2-9	20	2110978	6-3	3
	5-11	5	2107955	10-19	3	2108818	2-3	6	2110979	6-3	5
2106627	1-97	8	2107969	1-56	27		2-9	21	2110982	6-3	1
2106995	6-55	6		1-62	39	2108819	2-3	7	2111100	2-70	
2107017	1-5	3		2-4	26		2-9	20		10-5	6
	1-7		2107970	10-7	3	2108820	2-3	6	2111138	8-55	3
2107018	1-5	3	2107971	10-7	4		2-10	21		8-59	24
	1-7		2107982	1-39	9	2108825	1-87		2111139	8-55	3
2107019	1-5	3		1-43	21	2109111	1-95	4		8-55	3
	1-7			1-47	31	2109136	6-25	31		8-59	24
2107020	1-5	6	2107983	1-39	9	2109137	6-25	34		8-59	24
	1-9	6		1-43	21	2109234	1-97	9		9-21	1
	1-31			1-47	31	2109560	10-17	1		9-24	37
2107021	1-5	6	2107984	1-39	9	2109743	1-11	16	2111140	8-55	3
	1-9	6		1-43	21	2109744	1-11	14		8-55	3
	1-31			1-47	31		1-21	24		8-59	24
2107022	1-5	6	2107985	10-3	1		1-25	2		8-59	24
	1-9	6	2108019	8-51		2109771	1-75	5		9-21	1
	1-31		2108020	9-17			1-77	9		9-24	37
2107023	1-5	5	2108036	10-19	2	2109811	10-15	4	2111141	9-21	1
	1-9	5	2108048	10-19	1	2109933	1-83	15		9-24	37
2107024	1-33	1	2108249	2-83	5	2109965	1-7	11	2111173	6-25	2
	1-35		2108286	1-75	19	2109975	10-15	8	2111178	8-39	26
2107173	6-11	8		1-77	23	2110287	1-33	2	2111179	8-39	26
2107212	9-42	33	2108356	10-45	1		2-63			8-39	26
	9-42	33	2108363	6-17	2	2110399	4-14	4		8-39	26
2107213	9-42	33	2108364	6-17	2	2110503	6-57	21		8-39	26
2107319	1-56	31	2108466	2-29	11	2110540	4-14	2	2111180	2-65	1
	1-62	43	2108497	2-85	1	2110637	1-25	9	2111288	4-13	5
2107320	2-83	12	2108498	2-85	1		2-75		2111289	4-11	5

NUMERICAL INDEX (continued)

PART NO.	PAGE	ITEM	PART NO.	PAGE	ITEM	PART NO.	PAGE	ITEM	PART NO.	PAGE	ITEM
2111690	2-3	1		2-18	2		2-80		4007123	1-47	20
	2-7	1	2311349	1-79		4002298	2-73	8	4007318	1-56	18
	2-31		2781616	1-103	1		2-74			1-62	30
	2-35		2785646	1-103	1		2-80			1-69	17
	2-39		3112380	10-15	8	4002299	2-74	4	4007319	1-69	15
	2-43		4000081	7-4			2-80	3	4007890	1-17	5
2111691	2-3	1		7-8		4002929	1-39	6	4007955	2-3	5
	2-7	1		8-3		4002930	1-39	6		2-3	6
	2-47			8-5		4002932	1-39	7		2-3	6
	2-51			8-32	45	4002933	1-39	7		2-3	6
	2-55		4000283	1-33		4003160	6-6	16		2-3	7
	2-59		4000287	1-21		4003770	2-25	16		2-3	7
2111768	2-83	11	4000288	1-23		4003897	1-53	9		2-3	7
	2-85	11	4000293	1-25		4003898	1-53	11		2-3	10
2111769	2-83	7		1-27		4003899	1-53	10		2-3	12
	2-85	7	4000294	1-11		4003964	1-40	31		2-9	7
2111770	2-83	17	4000295	1-7		4004139	1-13	6		2-9	8
	2-85	17	4000296	1-23			1-15	7		2-9	19
2111799	2-83	6	4000297	1-29		4004140	1-15	13		2-9	20
	2-85	6	4000298	1-31		4004775	1-69	18		2-9	20
2111800	2-83	16	4001170	4-7	15	4004776	1-69	20		2-10	21
	2-85	16	4001210	6-19	13	4004912	1-56	19		2-10	21
2111801	2-83	10	4001351	1-53	2		1-61	19	4008592	10-45	12
	2-85	10	4001352	1-53	2	4005010	1-69		4009406	1-25	10
2111852	1-31	13	4001353	1-53	2	4006407	4-2	1	4009407	1-27	12
	10-12	1	4001354	1-53	2	4006440	4-2	1		1-27	12
2111879	1-75	20	4001753	2-39	5	4006441	4-2	1	4009408	1-27	22
	1-77	24		2-43	5	4006805	1-35	5	4009564	1-17	1
2111895	9-24	27		2-59	5	4006806	1-35		4009565	1-17	8
2111899	9-24	27	4001966	1-7	1	4006807	1-35	10	4009566	1-17	5
2111904	9-24	27	4001967	1-7	2	4006808	1-35	2	4009567	1-17	7
2302672	10-5	8	4001968	1-7	10	4006809	1-35	1		1-19	7
2302899	6-55	5	4001969	1-7	5	4006810	1-35	4	4009568	1-19	12
2302912	2-18	1	4001970	1-7	4	4006811	1-35	3	4009569	1-19	8
2303178	1-97	11	4001971	1-7	3		1-37	9	4009570	1-19	4
2304044	1-97	6	4001972	1-7	9	4006812	1-35		4009571	1-17	1
2308174	6-55	4	4001973	1-7	8	4006813	1-35		4009572	1-17	8
2308995	2-17	1	4001974	1-7	7	4006814	1-35	8	4009573	1-17	5
	2-18	1	4001975	1-7	6	4006815	1-35		4009574	1-19	12
2309222	1-87	3	4001977	1-7			1-37	18	4009575	1-19	8
	1-89	2	4001978	1-7	1	4006817	1-35	7	4009576	1-19	4
2310341	2-3	10	4001979	1-7	2	4006818	1-35	6	4009779	1-17	2
	2-3	12	4001980	1-7	4		1-37	1		1-19	10
	2-4	18	4001981	1-7	8	4006819	1-35	9	4009780	1-17	6
	2-4	18	4001982	1-7	7	4006844	6-57	18		1-19	6
	2-4	18	4001983	1-7	1	4006912	1-19	12	4009782	1-17	10
	2-9	6	4001984	1-7	2	4006913	1-19	8		1-19	5
	2-9	6	4001985	1-7	4	4006914	1-19	4	4009783	1-17	3
	2-9	6	4001986	1-7	8	4006915	1-17	1		1-19	2
	2-9	7	4001987	1-7	7	4006916	1-17	8	4010225	9-23	13
	2-9	8	4002297	2-73	10	4007052	1-67	5		9-23	13
2311302	2-17	1		2-74			1-69	4		9-23	13

NUMERICAL INDEX (continued)

PART NO.	PAGE	ITEM	PART NO.	PAGE	ITEM	PART NO.	PAGE	ITEM	PART NO.	PAGE	ITEM
4011172	6-29	18	4022029	6-29	4	4028104	4-7	17	4046964	1-87	4
	6-33	13		6-33	4	4028470	2-9	14		1-89	3
4011173	6-29			6-39	1	4028637	6-6	7	4047980	10-23	27
	6-33	22	4022869	7-33	5	4028738	1-27	1		10-27	26
4011174	6-29	17		7-35	5	4028802	6-6	17		10-31	26
	6-33	21	4022980	1-37	4	4029046	1-73	13		10-33	3
4011175	6-29	15	4022982	1-37	15	4031759	1-73	5		10-35	3
	6-33	19	4022983	1-37	3	4031760	1-73	3		10-37	3
4011176	6-29	14	4022984	1-37	12	4032347	1-73	2	4048603	1-43	28
	6-33	18	4022985	1-37	11	4032460	1-62		4050140	5-11	1
4011178	6-29	20	4022986	1-37	6	4032461	1-62		4053035	1-51	9
	6-33	15	4023189	6-11	6	4032928	1-37	5	4053036	1-51	9
4011179	6-29		4023223	1-43	9	4032929	1-37	16	4053037	1-51	9
	6-33			1-47	9	4032930	1-37	19	4053038	1-51	9
4011232	6-25	18	4023224	1-43	9	4032931	1-37	2	4053039	1-51	9
4013095	1-56			1-47	9	4032932	1-37	17	4053040	1-51	9
	1-61	9	4023227	1-43	20	4032933	1-37	10	4053041	1-51	9
4013503	1-85	18		1-47	30	4032934	1-37	7	4053042	1-51	9
4013559	1-17	9	4024990	4-5	10	4032935	1-37	8	4053043	1-51	9
	1-19	9	4025665	1-47	24	4032936	1-37	13	4053044	1-51	9
4014097	2-26	1	4025990	1-43	20	4032937	1-37	14	4053045	1-51	9
4014208	8-39	23		1-47	30	4032938	1-37	20	4053046	1-51	9
	8-39	27	4026006	1-73	1	4033953	10-21	2	4600105	9-23	22
4015095	3-5		4026010	1-89	15		10-25	2	4600106	9-23	21
4015097	3-5			1-93			10-29	7	4600369	1-53	8
4015098	3-5		4026011	1-93	2	4033954	10-23	3	4600370	1-53	8
4015304	6-21	9	4026018	1-93	8		10-27	3	4600437	8-31	1
4016340	2-23	1	4026023	1-93	5		10-31	3	4600450	8-59	2
4016342	2-23	7	4026058	1-93	1	4034634	10-33	7	4600458	8-59	1
4016344	2-9	9	4026120	1-83	1		10-35	7	4600468	8-59	17
	2-23		4026121	1-83	1		10-37	7	4600469	8-59	18
4016753	6-19		4026122	1-83	1	4034635	10-33	7	4600471	8-59	18
4016800	5-9	1	4026142	1-89	16		10-35	7	4600497	8-59	18
4016802	5-9	1	4026143	1-89	16		10-37	7	4600498	8-59	17
4016924	1-61	1	4026144	1-89	16	4036586	1-56		4600578	6-29	
4016926	1-61	3	4026776	1-93	7	4036587	1-56		4600579	6-29	
4016928	1-61	1	4026873	1-83	10	4041658	3-5	14	4600581	6-29	
4017598	1-75	25	4026992	1-87	11	4043082	1-61	6	4600788	8-59	17
	1-77	29		1-89	5	4043269	2-19	11	4600954	10-7	3
4017600	1-75	23	4026997	1-83	8	4043273	2-19	12	4600955	10-7	4
	1-77	26	4027313	1-83	9	4043274	2-18	9	4601312	7-20	44
4017602	1-70	1	4027315	6-25	26	4043276	1-47	18		7-24	44
4017863	6-25	17	4027341	1-62		4043278	2-18	8	4601386	1-75	26
4018541	6-19	15	4027695	10-23	27	4043974	2-18			1-77	30
4019160	2-26	4		10-27	26	4043975	2-18		4601396	10-7	2
4020998	1-43	23		10-31	26	4043976	2-18	1	4601397	10-7	1
	1-48	33		10-33	3	4043978	2-18	2	4601702	6-21	34
4020999	1-43	24		10-35	3	4043979	2-18	2	4601819	10-45	10
	1-48	34		10-37	3	4045247	1-47	18	4601859	6-25	3
4021456	1-47	19	4027759	8-59	21	4045255	2-19		4602052	10-9	8
4021520	9-42	29	4027776	8-59	19	4045283	1-47	21	4602396	9-41	15
4021521	9-42	29	4027784	8-59	20	4045691	1-47	23	4602398	9-41	15

NUMERICAL INDEX (continued)

PART NO.	PAGE	ITEM	PART NO.	PAGE	ITEM	PART NO.	PAGE	ITEM	PART NO.	PAGE	ITEM
4602406	9-41	15	4606463	6-33		4611878	10-23			10-31	25
4603384	1-55		4606464	6-33			10-27		4612357	10-33	2
4603385	1-55		4606465	6-33			10-33	7	4612358	10-33	1
4603439	2-83	6	4607945	8-40	36		10-35	7	4612361	10-33	2
	2-85	6	4608400	9-35	19		10-37	7	4612362	10-33	1
4603492	1-67	14	4608405	9-35	19	4611879	10-21		4612515	10-23	26
	1-69	22	4608410	9-35	19		10-25		4612516	10-23	25
4603493	1-67	16	4610328	10-35	1		10-29		4612820	6-22	35
	1-69	24	4610329	10-35	2		10-31		4613948	3-3	7
4603514	2-3	13	4610411	10-33	6		10-33	7		3-3	8
	2-7	12		10-35	6		10-35	7	4617344	10-23	26
4604314	1-11	18		10-37	6		10-37	7	4618988	2-7	
	1-23	8	4610995	10-5	6	4611912	10-35	1	4620176	2-80	
	1-31	14	4611136	1-33	1		10-35	2	4620807	2-74	
4605182	1-61			1-37			10-37	1		10-5	6
4605183	1-61		4611363	10-21	12		10-37	2	4620955	8-9	17
4605337	2-83	15		10-23	7	4612250	10-25	4		8-13	17
	2-85	15		10-25	7		10-27	25	4622417	1-95	9
4605965	1-53	8		10-29	11		10-29	8	4622419	1-95	9
4605966	1-53	8									

