

PARTS MANUAL

**E1.50XM, E1.75XM, E2.00XMS
(F114)**

CUSTOMER EDITION

HYSTER

SECTIONS

1	FRAME
2	ELECTRICAL SYSTEM
3	DRIVE UNIT
4	STEERING SYSTEM
5	BRAKE/ACCELERATOR SYSTEM
6	HYDRAULIC SYSTEM
7	MAST-TWO STAGE LIMITED FREE-LIFT
8	MAST-THREE STAGE FULL FREE-LIFT
9	MAST-TWO STAGE FULL FREE-LIFT
10	OPTIONS
11	NUMERICAL INDEX

This Parts Manual is divided into 11 major sections which are listed above. Quick reference to these sections can be made by placing the right thumb on the tab of the desired section, bending the book back and thumbing the pages to the corresponding tab.

TABLE OF CONTENTS

DESCRIPTION	PAGE
A	
ACCELERATOR PEDAL AND ATTACHING PARTS	5-18
ACCELERATOR PEDAL ASSEMBLY	
FORWARD AND REVERSE LEVER	5-14
MONOTROL	5-16
AUXILIARY SECTION	
HIGH FLOW - ELECTRONIC HYDRAULIC CONTROL VALVE	6-46
STANDARD FLOW - ELECTRONIC HYDRAULIC CONTROL VALVE	6-44
B	
BRAKE AND BACK-UP LIGHTS	
WITH AUDIBLE ALARM (→ S/N F114A01975E)	10-4
WITH AUDIBLE ALARM - LED (S/N F114A01976E ↔ S/N F114A02390G) (S/N F114B01501G →)	10-6
BRAKE ASSEMBLY	5-2
BRAKE MASTER CYLINDER	5-8
BRAKE PEDAL AND ATTACHING PARTS	5-6
C	
CARRIAGE	
THREE STAGE FULL FREE-LIFT - C555 SERIES	8-30
TWO STAGE FULL FREE-LIFT - C559 SERIES	9-18
TWO STAGE LIMITED FREE-LIFT	7-14
CONTACTOR	
LINE	2-24
POWER STEERING	2-26
CONTACTOR PANEL	
CONTACTOR HYDRAULIC	2-20
LINE AND POWER STEERING	2-22
CONTROL PANEL	
TRACTION CONTROLLER - WITH PUMP CONTROLLER	2-16
TRACTION CONTROLLER - WITH CONTACTOR HYDRAULIC	2-18
CONTROL VALVE	
MANUAL HYDRAULICS - THREE FUNCTION (→ S/N F114A02390G)	6-10
MANUAL HYDRAULICS - FOUR FUNCTION (→ S/N F114A02390G)	6-14
CONTROL VALVE ATTACHING PARTS	
ELECTRONIC HYDRAULICS	6-48
MANUAL HYDRAULICS	6-18
COUNTERWEIGHT	1-20
D	
DIFFERENTIAL	3-4
DRIVE AXLE	3-2
DRIVE TIRE AND WHEEL	
CUSHION - 18 X 5 X 12	3-14
CUSHION - 18 X 6 X 12	3-15
CUSHION - 18 X 7 X 12	3-17
SOLID PNEUMATIC	3-18
E	
ELECTRICAL SYSTEM	2-2

TABLE OF CONTENTS (continued)

DESCRIPTION	PAGE
ELECTRONIC CONTROL LEVERS	
MINI-LEVER MODULE (FOUR FUNCTION) - DATE CODE 0744	2-14
MINI-LEVER MODULES - DATE CODE 0724	2-6
MINI-LEVER MODULES (FOUR FUNCTION) - DATE CODE 0725 THRU 0743	2-10
MINI-LEVER MODULES (THREE FUNCTION) - DATE CODE 0725 THRU 0743	2-8
MINI-LEVER MODULES (THREE FUNCTION) - DATE CODE 0744	2-12
ELECTRONIC HYDRAULIC CONTROL VALVE	6-40
F	
FLOORPLATES AND COVERS	
ELECTRONIC HYDRAULICS	1-14
MANUAL HYDRAULICS	1-10
FORKS	
OPTIONAL	1-37
STANDARD	1-36
FREE-LIFT	
THREE STAGE FULL FREE-LIFT - WITH TWO-PIECE CROSSMEMBER	8-16
THREE STAGE FULL FREE-LIFT - WITH ONE-PIECE CROSSMEMBER	8-18
TWO STAGE FULL FREE-LIFT	9-12
FREE-LIFT CYLINDER	
THREE STAGE FULL FREE-LIFT	8-20
TWO STAGE FULL FREE-LIFT	9-16
FRONT WORK LIGHTS AND ATTACHING PARTS	
WITH DC CONVERTER	10-10
FULL SUSPENSION SEAT	
WITH AND WITHOUT ELECTRONIC CONTROLS	1-26
FULL SUSPENSION SWIVEL SEAT	
WITH ELECTRONIC HYDRAULICS ARMREST	1-28
G	
GEAR PUMP ASSEMBLY	4-14
H	
HEADER HOSE	
THREE STAGE FULL FREE-LIFT (12/2008 →)	8-26
THREE STAGE FULL FREE-LIFT (3/2011 →)	8-32
TWO STAGE FULL FREE-LIFT	9-20
HEADER HOSES	
THREE STAGE FULL FREE-LIFT (→ 12/2008)	8-22
TWO STAGE LIMITED FREE-LIFT	7-16
HOOD	
ELECTRONIC HYDRAULICS	1-6
MANUAL HYDRAULICS	1-2
HYDRAULIC CONTROL VALVE	
AUXILIARY OR AUXILIARY TWO SECTION - MANUAL WITH OPERATOR PRESENCE (S/N F114B01501G →)	6-34
AUXILIARY SECTION (FOUR FUNCTION) - MANUAL WITH OPERATOR PRESENCE (S/N F114B01501G →)	6-36
INLET SECTION - MANUAL WITH OPERATOR PRESENCE (S/N F114B01501G →)	6-26
LIFT SECTION - MANUAL WITH OPERATOR PRESENCE (S/N F114B01501G →)	6-28

TABLE OF CONTENTS (continued)

DESCRIPTION	PAGE
MAIN RELIEF VALVE - MANUAL WITH OPERATOR PRESENCE (S/N R114B01501G →)	6-27
OPERATOR PRESENCE SYSTEM COMPONENTS - MANUAL WITH OPERATOR PRESENCE (S/N F114B01501G →)	6-24
SECONDARY RELIEF VALVE - MANUAL WITH OPERATOR PRESENCE (S/N F114B01501G →)	6-30
TILT SECTION - MANUAL WITH OPERATOR PRESENCE (S/N F114B01501G →)	6-32
HYDRAULIC CONTROL VALVE ASSEMBLY	
MANUAL WITH OPERATOR PRESENCE (S/N F114B01501G →)	6-22
HYDRAULIC FILTER	6-62
HYDRAULIC GEAR PUMP ASSEMBLY	
12 CC - MANUAL HYDRAULICS	6-58
19 CC - MANUAL OR ELECTRONIC HYDRAULICS	6-56
HYDRAULIC HAND LEVERS	6-38
HYDRAULIC OIL TANK	6-60
HYDRAULIC PUMP MOTOR ASSEMBLY	
AC HYDRAULICS, OPEN CONSTRUCTION - MANUAL AND ELECTRONIC HYDRAULICS	6-52
DC HYDRAULICS, OPEN CONSTRUCTION - MANUAL HYDRAULICS	6-54
HYDRAULIC PUMP MOTOR ATTACHING PARTS	6-50
HYDRAULIC SYSTEM	
ELECTRONIC HYDRAULICS	6-2
MANUAL HYDRAULICS	6-6
I	
INNER MAST	
THREE STAGE FULL FREE-LIFT	8-6
TWO STAGE FULL FREE-LIFT	9-4
TWO STAGE LIMITED FREE-LIFT	7-4
INTEGRAL SIDE-SHIFT CARRIAGE	
TWO AND THREE STAGE FULL FREE-LIFT - SINGLE CHAIN	10-14
TWO STAGE LIMITED FREE-LIFT	10-12
INTEGRAL SIDE-SHIFT CYLINDER	10-16
INTEGRAL SIDE-SHIFT HYDRAULIC HOSES	
TWO AND THREE STAGE FULL FREE-LIFT	10-18
TWO STAGE LIMITED FREE-LIFT	10-17
INTERMEDIATE MAST	
THREE STAGE FULL FREE-LIFT	8-4
J	
JOYSTICK	2-4
L	
LABELS	
EXTERIOR	1-34
JOYSTICK	1-30
MINI LEVERS	1-32
LOAD BACKREST EXTENSION	1-38
M	
MAIN LIFT	
THREE STAGE FULL FREE-LIFT	8-8
TWO STAGE FULL FREE-LIFT	9-6

TABLE OF CONTENTS (continued)

DESCRIPTION	PAGE
TWO STAGE LIMITED FREE-LIFT	7-6
MAIN LIFT CYLINDER - LH	
THREE STAGE FULL FREE-LIFT	8-12
TWO STAGE FULL FREE-LIFT	9-8
TWO STAGE LIMITED FREE-LIFT	7-10
MAIN LIFT CYLINDER - RH	
THREE STAGE FULL FREE-LIFT	8-14
TWO STAGE FULL FREE-LIFT	9-10
TWO STAGE LIMITED FREE-LIFT	7-12
MAIN SECTION	
ELECTRONIC HYDRAULIC CONTROL VALVE	6-42
MAST INSTALLATION	6-64
N	
NON-SUSPENSION SEAT	1-22
O	
OUTER MAST	
THREE STAGE FULL FREE-LIFT	8-2
TWO STAGE FULL FREE-LIFT	9-2
TWO STAGE LIMITED FREE-LIFT	7-2
OVERHEAD GUARD	1-18
P	
PARK BRAKE	
LEVER-ACTUATED	5-10
PARK BRAKE LEVER ASSEMBLY	5-13
R	
REAR WORK LIGHTS AND ATTACHING PARTS	10-8
S	
SEMI SUSPENSION SEAT	
WITH AND WITHOUT ELECTRONIC CONTROLS	1-24
SHIFT LEVER	4-22
STEER AXLE	4-2
STEER CYLINDER	4-4
STEER MOTOR AND ATTACHING PARTS	4-16
STEER PUMP ASSEMBLY	4-12
STEER TIRE AND WHEEL	
CUSHION	4-19
SOLID PNEUMATIC - SNAP-IN TIRE	4-18
STEERING COLUMN ASSEMBLY	
FORWARD AND REVERSE LEVER	4-8
MONOTROL	4-6
STROBE LIGHT	10-2
SWITCH ASSEMBLY	
ACCELERATOR PEDAL - MONOTROL	5-20

TABLE OF CONTENTS (continued)

DESCRIPTION	PAGE
T	
TAIL LIGHT ASSEMBLY AND ATTACHING PARTS	10-7
TILT CYLINDER	6-66
TRACTION MOTOR	
SHEET 1 OF 2	3-10
SHEET 2 OF 2	3-12
TRANSMISSION	3-6
W	
WIRE HARNESS	
CONTROL VALVE - ELECTRONIC HYDRAULICS	2-56
CONTROL VALVE SWITCH	2-44
DASH	2-58
HOOD	2-59
JOYSTICK	2-61
LIGHT SWITCHES	2-48
LIGHTS (→ S/N F114A02392F)	2-50
LIGHTS (S/N F114A02393F →)	2-52
MAIN CONTROL - SHEET 1 OF 2 (→ S/N F114A02390G)	2-28
MAIN CONTROL - SHEET 2 OF 2 (→ S/N F114A02390G)	2-32
PUMP CONTACTOR	2-62
REAR LIGHTS	2-46
SHIFT LEVER	2-60
WIRE HARNESS-MAIN CONTROL	
WITH OPERATOR PRESENCE SYSTEM - SHEET 1 OF 2 (S/N F114B01501G →)	2-36
WITH OPERATOR PRESENCE SYSTEM - SHEET 2 OF 2 (S/N F114B01501G →)	2-40

ABBREVIATIONS QUICK REFERENCE SHEET

Listed below are abbreviations used in parts manuals to denote the following expressions:

TERM	DEFINITION	TERM	DEFINITION
Amp	Amperes	FRE	Freezer Environment
AR	As Required	in.	inches
BDI	Battery Discharge Indicators	LPG	Liquefied Petroleum Gas
BWI	Brush Wear Indicator	MAP	Manifold Absolute Pressure
CE	Communicator End	mm	millimeters
CRE	Corrosive Environment	MSTS	Microprocessor Spark Timing System
D/B	Date Break	NPT	National Pipe Threads
dbA	Decibel "A" Scale	O/S	Oversize
DE	Drive End	PTO	Power Take Off
ECH	Empty Container Handler	RPM	Revolutions per Minute
ECH-3	Empty Container Handler - 3 High Stacking	S/N	Serial Number
ECH-4	Empty Container Handler - 4 High Stacking	TMM	Truck Management Module
ECH-5	Empty Container Handler - 5 High Stacking	UL Type D	Diesel-Powered Safety Rating
ECH-6	Empty Container Handler - 6 High Stacking	UL Type DS	Diesel-Powered Safety Rating
ECH-7	Empty Container Handler - 7 High Stacking	UL Type E	Battery-Powered Safety Rating
ECM	Electronic Control Module	UL Type EE	Battery-Powered Safety Rating
ECN	Engineering Change Notice	UL Type ES	Battery-Powered Safety Rating
EEPROM	Electrically Erasable Programmable Read Only Memory	UL Type G	Gasoline-Powered Safety Rating
EPA	US Environmental Protection Agency	UL Type GS	Gasoline-Powered Safety Rating
EPROM	Electrically Programmable Read Only Memory	UL Type LP	Gas-Powered Safety Rating
		UL Type LPS	LP Gas-Powered Safety Rating
		U/S	Undersize
		UL	Underwriters Laboratory
		V	Volts

HOW TO USE THE ILLUSTRATED PARTS MANUAL

This parts manual describes and illustrates assemblies, subassemblies, and detail parts needed for service replacement.

The different constructions are indicated by keys and footnotes. The callouts correspond to descriptions found on the next page.

UNIT CODE G160 EUROPE
HYSTER

06/2001

TABLE OF CONTENTS

DESCRIPTION	PAGE
ACCELERATOR/MONOTROL PEDAL.....	A 5-2
BACKUP ALARM	B
BATTERY CONNECTOR	
BATTERY ROLLER AN	
BRAKE ASSEMBLY	
BRAKE MASTER CYLIN	
BRAKE PEDAL LINKAG	
CARRIAGE	
THREE STAGE FULL	
TWO STAGE FULL FF	
TWO STAGE LIMITED	
CONTROL VALVE	
COUNTERWEIGHT	
DASH DISPLAY	
DC-DC CONVERTER	

SECTION 11 NUMERICAL INDEX

PART NO.	PG	ITEM	PART NO.	PG	ITEM	PART NO.	PG	ITEM
138	5-9	31	5-17	42	16481	6-25	3	6-7
139	5-13	31	7-13	8	6-25	4	16882	9-7
12921	5-9	32	1-3	6	6-26	53	16883	6-25
14269	5-13	32	1-4	45	6-26	65	16882	7-5
			5-9	16	10-3	16		8-5
			5-13	16	6-26	48	16989	9-5
				16	6-11	3	16989	6-25
				23	16484	6-11	9	7-5
				42		6-13	101	8-5
				34		6-13	101	9-5
				13		6-25	7	6-25
				10		6-25	8	17061
				11		6-25	11	17151
				21		6-25	20	3-9
				27		9-7	7	3-11
								26
								22

SECTIONS

- 1
- 2
- 3
- 4
- 5
- 6
- 7
- 8
- 9
- 10
- 11

UNIT CODE G160 EUROPE
HYSTER

06/2001

TRANSMISSION HOUSING
(= S/N G160-2628)

KEY:
A: Diesel
B: Gasoline and LPG

ITEM	PART NO.	DESCRIPTION	QTY	
			A	B
		Transmission	1	-
	2022547	Transmission	1	1
	2023329	Transmission	2	2
	2064470	Case	4	4
1	2023418	Bearing Cap	1	1
2	296426	Washer	2	2
3	293692	Capscrew	2	2
4	2021390	Cover	4	4
5	1371656	Collar Pin	1	1
6	2021329	O-Ring	4	4
7	2021915	Plug	22	22
8	2021675	Housing	39	39
9	2021336	Capscrew	1	1
10	287860	Pin	1	1
11	292682	Lockwasher	8	8
12	2021345	Hydraulic Pump (see Figure 6-6)	8	8
13	214364	Gasket	1	1
14	214364	Capscrew	1	1
15	296418	Washer	1	1
16	2021388	Temperature Switch	9	9
17	2021389	Breather	9	9
18	2021383	Dipstick	2	2
19	292515	Capscrew	3	3
20	136692	Nut	3	2
21	292527	Capscrew	4	4
22	292531	Capscrew	4	4
23	292683	Lockwasher	4	4
24	293637	Capscrew	1	1
25	296420	Washer	1	1
26	996403	Transmission Kit (Include Item 7)	1	1
	996405	Transmission Kit (Include Item 14)	1	1

This Parts Manual is divided into 11 major sections which are listed above. Quick reference can be made by placing the right thumb on the tab of the desired section, bending the bottom edge of the cover to the corresponding tab.

©2001 HYSTER COMPANY
See Service Manual for service procedures.

3-15

HP990135

HOW TO FIND THE DESIRED PART NUMBER

WHEN THE PART NUMBER AND THE NEXT HIGHER ASSEMBLY IS NOT KNOWN:

1. Determine the function and application of the part required. Turn to the Sections Page. Choose the general area of reference most likely to include the part.
2. Turn to the section you chose. Use the Section Table of Contents to determine the assembly which would normally contain the part required. Then locate the part on the assembly breakdown page.

WHEN THE PART NUMBER IS NOT KNOWN AND THE NEXT HIGHER ASSEMBLY IS KNOWN:

3. Determine the assembly the required part is used on. Turn to the Table of Contents (Page i).
4. Locate the assembly the required part is used on and turn to the page indicated for that assembly. Then locate the part on the assembly breakdown page.

WHEN THE PART NUMBER IS KNOWN:

5. Use the Numerical Index (Page 11-1) to find the part number. Turn to the page listed and locate the part as indicated by the item number.

GENERAL:

The assembly breakdowns include part numbers, descriptions, quantities required, keys and footnotes to help in selecting correct parts.

6. Parts Supersession Information. Part numbers that have this history will be displayed in the parts list in the order that they were superseded (from oldest to newest). The superseded part numbers will be shown with a line through them.

Five periods in the PART NO. column (.) indicate that the part is either *Not Serviced Separately* or there is a reference to another figure. A figure reference is denoted by a pointing hand followed by a figure number in the DESCRIPTION column (☞ Figure 10)

7. Keys are used to show two or more similar assemblies, RH and LH assembly parts, etc. Select the appropriate key, "A", "B", "C", "D", or "E" and the corresponding quantity column to find the required parts. Two periods in the QTY column (..) indicate that the part is not used for that assembly.
8. Indented descriptions under the DESCRIPTION column are used to indicate assemblies and

subparts of assemblies. In the example on the previous page, *BEARING CAP* (Item 2) is a subpart of the major assembly *CASE*.

9. Quantities shown are for one assembly. The quantities of the subpart *BEARING CAP* are indicated as two and two. This means two per *CASE* assembly.
10. Serial number breaks identify the most current parts information and are shown as follows:
 - **S/N D001H2628**
Indicates last serial number affected.
 - S/N D001H2629** →
Indicates the first serial number affected.
 - S/N D001H1553** ↔ **S/N D001H3291**
Indicates a range of serial numbers affected.

ECN numbers for pending serial numbers are shown to allow for the inclusion of the most current parts information and are identified as follows:

- **S/N Pending Per ECN 63243**
Indicates a pending serial number for last unit affected.
- S/N Pending Per ECN 63243** →
Indicates a pending serial number for first unit affected.

Date breaks are used to indicate when a change occurred but a subsequent serial number break was not recorded. This is an arbitrary date usually based on the ECN release and are identified as follows:

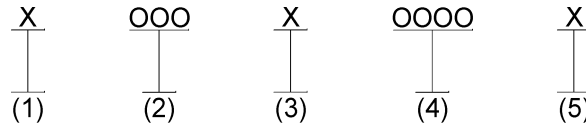
- **D/B 3/00**
Indicates that a change occurred sometime within that month for the item affected.
- D/B 3/00** →
Indicates that a change occurred sometime within that month for the item affected.
- D/B 3/00** ↔ **D/B 4/00**
Indicates a range of production dates of the item affected.

Contact your local dealer for Hyster lift trucks for serial number information for items with a ECN or a date break.

ORDERING PARTS:

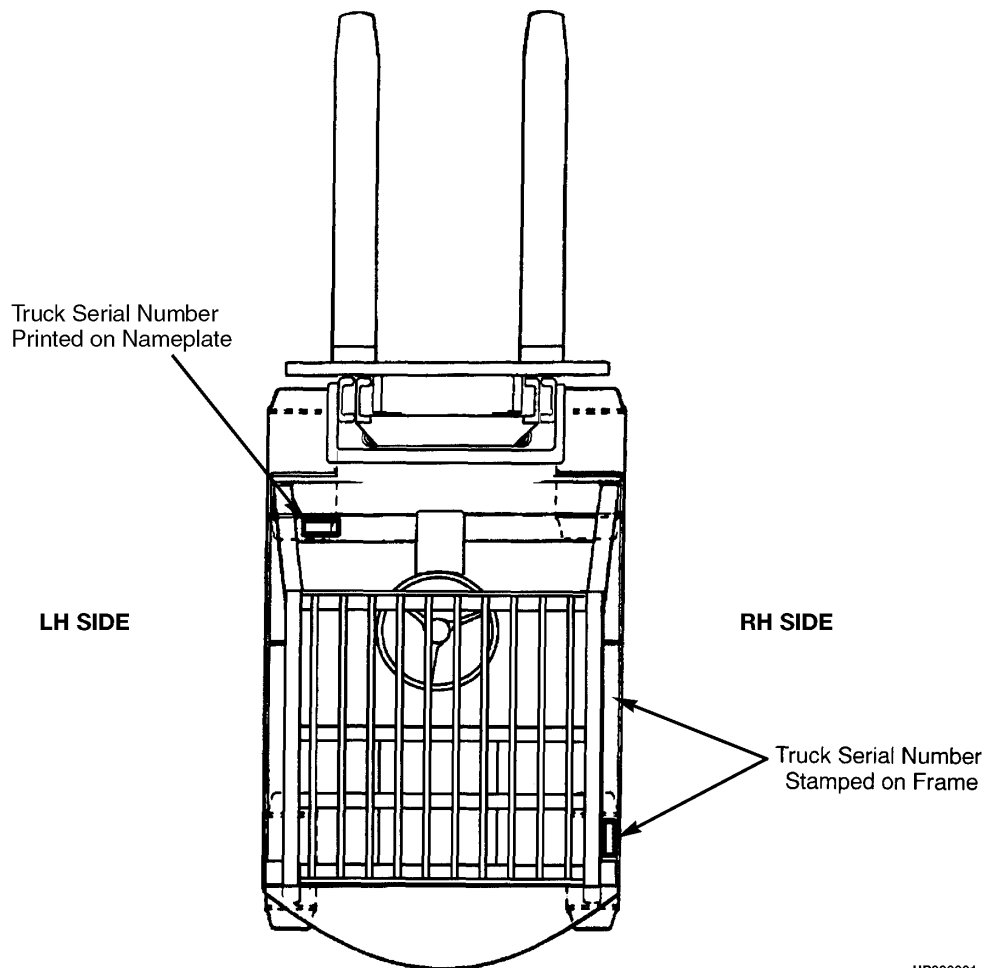
When ordering replacement parts, give the unit serial number, part number, name of part and quantity required.

For any further information on parts, service, or ordering, consult your local dealer for Hyster lift trucks.

IDENTIFICATION OF TRUCK SERIAL NUMBERS

- (1) and (2) The first letter and three numbers indicate the truck unit code.
- (3) The second letter indicates the plant of manufacture.
- (4) The four or five digit number indicates the production sequence number of the truck.
- (5) The final letter indicates the year of manufacture starting with "A" in 1957, 1980, and 2003. The letters "I", "O", and "Q" will not be used.

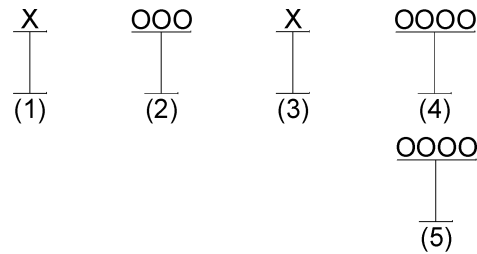
For pending serial numbers contact your local dealer for Hyster lift trucks.



HP990001

Parts referred to in this book as right or left hand parts are in accordance with the illustration above.

IDENTIFICATION OF MAST SERIAL NUMBERS



- (1) and (2) The first letter and number indicates the mast unit code.
- (3) The second letter indicates the plant of manufacture.
- (4) The four or five digit number indicates the production sequence number of the mast.
- (5) Carriage travel in millimeters stamped just below the serial number.

Mast Group identification consists of mast unit code (1) and (2) plus carriage travel (5).

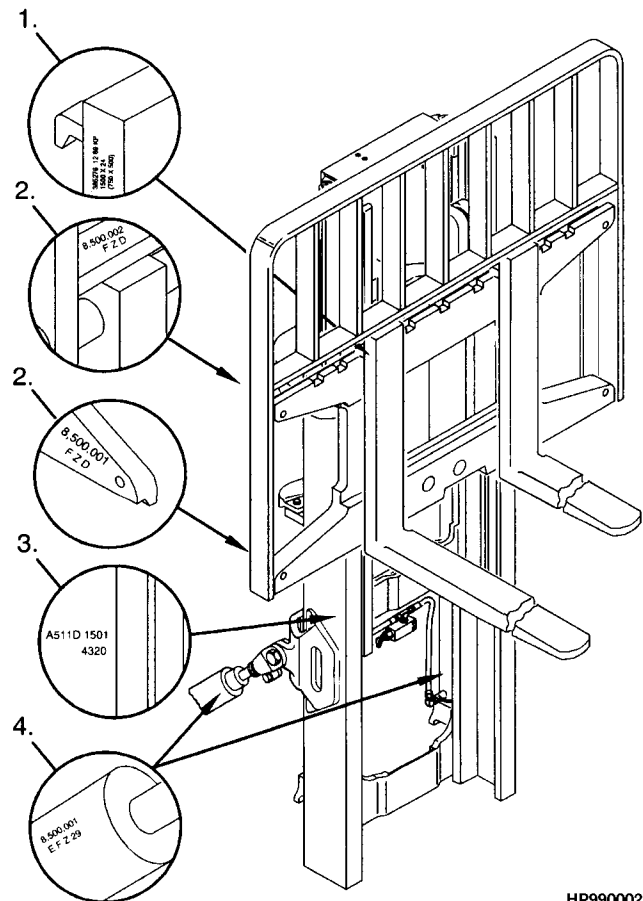
For pending production sequence numbers contact your local dealer for Hyster lift trucks.

LIFT EQUIPMENT IDENTIFICATION

1. Fork part number, capacity rating, plant code letter, and date of manufacture are stamped approximately six inches below the top of most forks.
2. The carriage group number is stamped on the right hand side of the top crossmember (pin type) or on the back of the right hand end of the bottom crossmember (hook type). A date code has two letters in line with or below the carriage group number.
3. The mast identification number has a unit code, a letter indicating the plant of manufacture, and a serial number. Underneath the production sequence number is a four digit number that indicates the carriage travel in millimeters.
4. Tilt and lift cylinder group numbers are stamped on the cylinder shell.

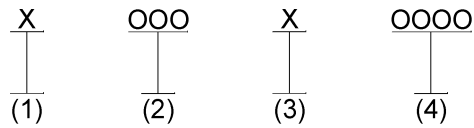
Always refer to the group, serial, or part number when ordering service parts.

Modification of masts and carriages by SPED (Special Products Engineering Department) are identified by a model prefix code beginning with the letter "S". contact your dealer for Hyster lift trucks for information on these assemblies.

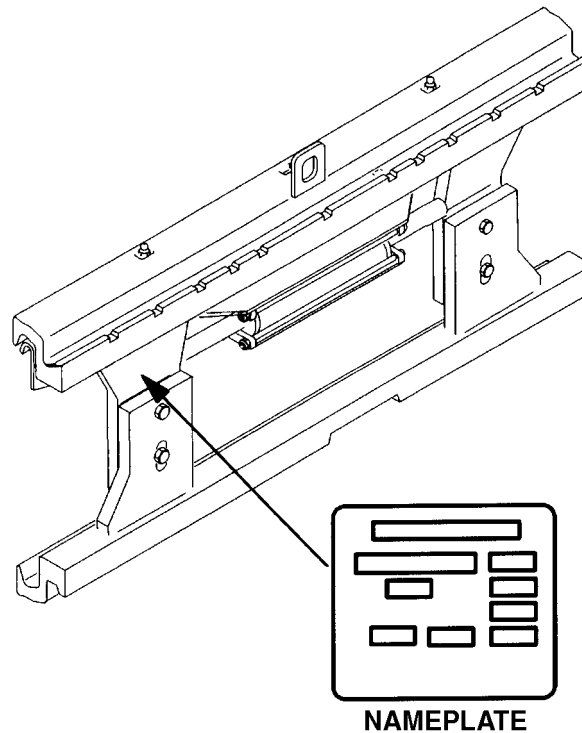


HP990002

IDENTIFICATION OF ATTACHMENT AND SIDE-SHIFT CARRIAGE SERIAL NUMBERS



- (1) and (2) The first letter and three numbers indicate the attachment unit code.
- (3) The second letter indicates the plant of manufacture.
- (4) The four or five digit number indicates the production sequence number.
- For pending production sequence numbers contact your local dealer for Hyster lift trucks.



HP990003

Side-shift carriages and attachments have nameplates. Use the serial number found on the nameplate to identify the attachment.

Always refer to the group, serial, or part number when ordering service parts.

Modifications of attachments and side-shift carriages by SPED (Special Products Engineering Department) are identified by a model prefix code beginning with the letter "S". Contact your dealer for Hyster lift trucks for information on these assemblies.

PUBLICATIONS

Every new lift truck is provided with an OPERATING MANUAL. This manual has information that the operator must know for inspection and operation of the lift truck.

SERVICE MAINTENANCE MANUALS, which provide service and overhaul procedures, and PARTS

MANUALS with complete replacement part identification, are available at a nominal fee from your Hyster dealer to assist users in effectively maintaining Hyster lift trucks in a safe, useful condition. See the list below for information on ordering specific publications for this model lift truck.

PUBLICATION	HYSTER PART NUMBER
Operating Manual.....	16205055
Service Manual (Complete).....	1625070
Parts Manual.....	1625063

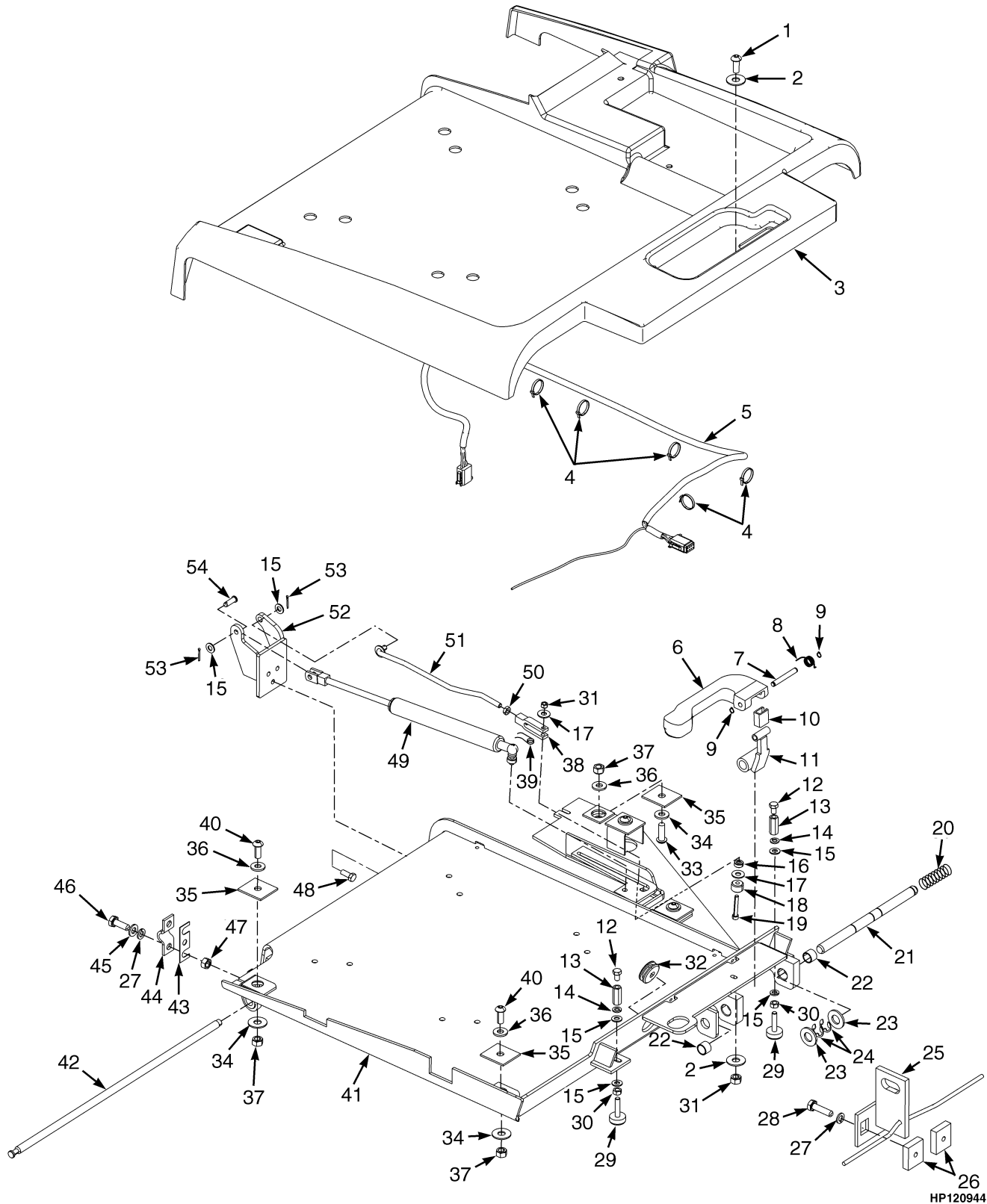
1

FRAME

SECTION 1
FRAME

DESCRIPTION	PAGE
COUNTERWEIGHT	1-20
FLOORPLATES AND COVERS	
ELECTRONIC HYDRAULICS	1-14
MANUAL HYDRAULICS	1-10
FORKS	
OPTIONAL	1-37
STANDARD	1-36
FULL SUSPENSION SEAT	
WITH AND WITHOUT ELECTRONIC CONTROLS	1-26
FULL SUSPENSION SWIVEL SEAT	
WITH ELECTRONIC HYDRAULICS ARMREST	1-28
HOOD	
ELECTRONIC HYDRAULICS	1-6
MANUAL HYDRAULICS	1-2
LABELS	
EXTERIOR	1-34
JOYSTICK	1-30
MINI LEVERS	1-32
LOAD BACKREST EXTENSION	1-38
NON-SUSPENSION SEAT	1-22
OVERHEAD GUARD	1-18
SEMI SUSPENSION SEAT	
WITH AND WITHOUT ELECTRONIC CONTROLS	1-24

HOOD (FIGURE 1-1) MANUAL HYDRAULICS



**HOOD
MANUAL HYDRAULICS**

ITEM	PART NO.	DESCRIPTION	QTY
1	296161	Capscrew	1
2	320156	Washer	2
3	1609098	Hood (878 mm Battery Compartment)	1
4	114312	Strap Clamp	5
5	2079477	Wire Harness (Hood) (☞Figure 2-25).....	1
6	1544196	Handle	1
7	1378975	Pin	1
8	1377670	Spring	1
9	12892	Snap Ring	2
10	1378902	Collar	1
11	1378900	Link	1
12	b 16836	Capscrew	2
13	b 1364729	Spacer	2
14	15155	Lockwasher	4
15	18515	Washer	6
16	1340867	Spacer	1
17	221763	Washer	2
18	1364243	Knob	1
19	293799	Capscrew	1
20	1364538	Spring	1
21	1546307	Shaft	1
22	368618	Bushing	2
23	15125	Washer	2
24	353569	E-Ring	3
25	c 1556488	Latch	1
25	b 1556669	Latch	1
26	1364537	Plate	2
27	388049 292682	Lockwasher	4
28	292515	Capscrew	2
29	c 367251	Screw	2
29	b 1347088	Screw	2
30	b 15055	Nut	2
30	c 15055	Nut	4
31	313805	Nut	1
32	187791	Grommet	1
33	296174	Capscrew	1
34	15177	Washer	5
35	1383680	Spacer	5
36	320160	Washer	5
37	316826	Nut	5
38	1364096	Clevis	1
39	1340866	Spring	1
40	296173	Capscrew	4
41	1608890	Hood Frame Wldmt (Hood)	1
42	1468405	Bar	1
43	325616	Spacer	AR
44	355374	Clamp	1
45	320159	Washer	3
46	287854	Capscrew	2

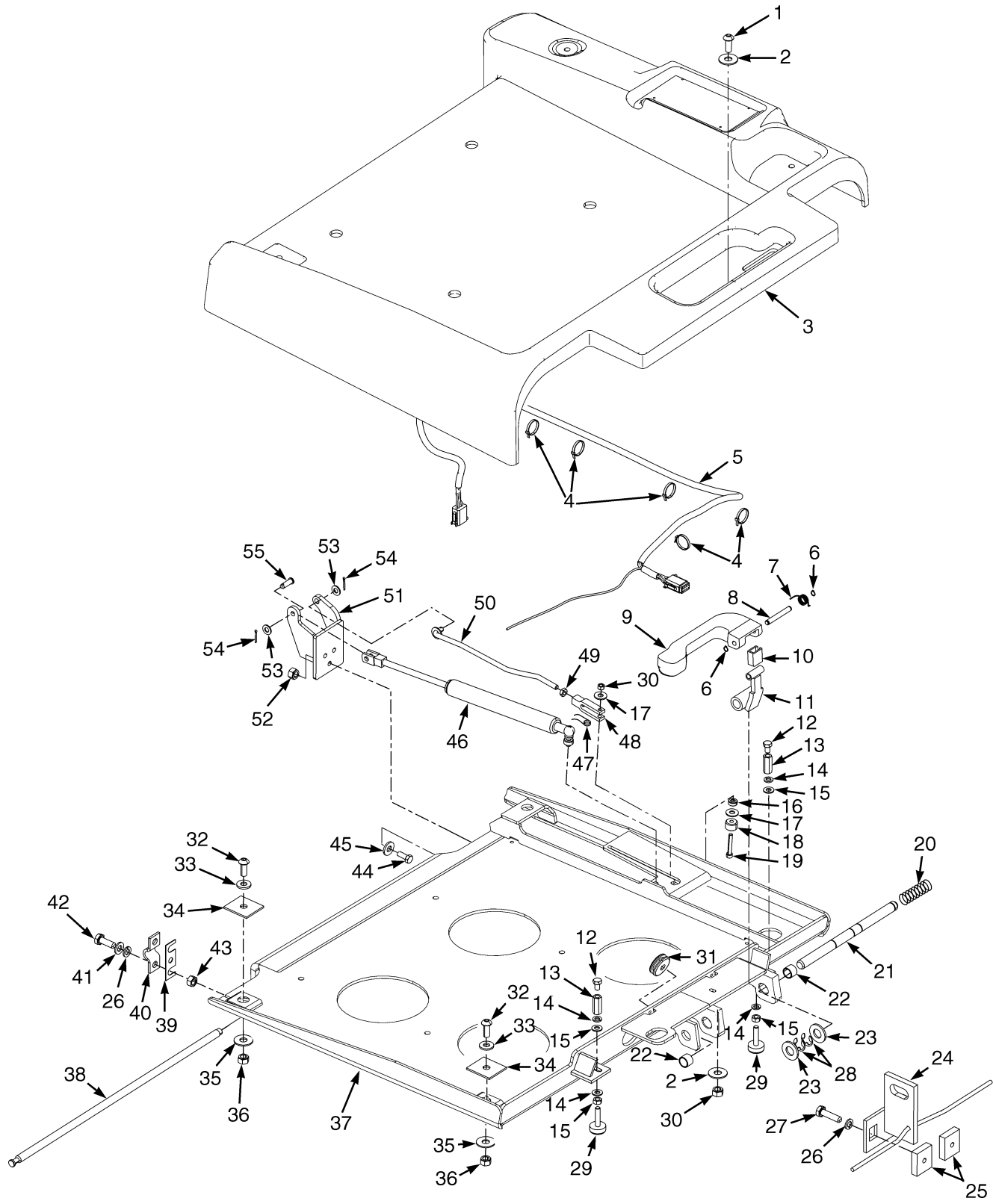
HOOD MANUAL HYDRAULICS

ITEM	PART NO.	DESCRIPTION	QTY
47	136692	Nut	2
48	296165	Capscrew	3
49	d 1385758	Gas Spring	1
49	e 1665174	Gas Spring (With Spacer)	1
50	15025	Nut	1
51	1385761	Rod	1
52	c 1601245	Bracket Wldmt	1
52	b 1601262	Bracket Wldmt	1
53	15212	Cotter Pin	2
54	139	Pin	1
	a 15906	Lockwasher	1

FOOTNOTES:

- | | | | |
|----------|---------------------|----------|----------|
| a | Not Illustrated | d | → 8/2007 |
| b | With Raised Hood | e | 8/2007 → |
| c | Without Raised Hood | | |

HOOD (FIGURE 1-2) ELECTRONIC HYDRAULICS



HP120941

**HOOD
ELECTRONIC HYDRAULICS**

ITEM	PART NO.	DESCRIPTION	QTY
1	296161	Capscrew	1
2	320156	Washer	2
3	1590104	Hood (878 mm Battery Compartment)	1
4	114312	Strap Clamp	4
5	2079477	Wire Harness (Hood) (☞Figure 2-25).....	1
6	12892	Snap Ring	2
7	1377670	Spring	1
8	1378975	Pin	1
9	1544196	Handle	1
10	1378902	Collar	1
11	1378900	Link	1
12	b 16836	Capscrew	2
13	b 1364729	Spacer	2
14	15155	Lockwasher	4
15	b 15055	Nut	2
15	c 15055	Nut	4
16	1340867	Spacer	1
17	221763	Washer	2
18	1364243	Knob	1
19	293799	Capscrew	1
20	1364538	Spring	1
21	1546307	Shaft	1
22	368618	Bushing	2
23	15125	Washer	2
24	c 1556488	Latch	1
24	b 1556669	Latch	1
25	1364537	Plate	2
26	388049 292682	Lockwasher	4
27	292515	Capscrew	2
28	353569	E-Ring	3
29	c 367251	Screw	2
29	b 1347088	Screw	2
30	313805	Nut	1
31	187791	Grommet	1
32	296173	Capscrew	4
33	320160	Washer	4
34	1383680	Spacer	4
35	15177	Washer	4
36	316826	Nut	4
37	1605996	Hood Frame Wldmt (Hood)	1
38	1468405	Bar	1
39	325616	Spacer	AR
40	355374	Clamp	1
41	320159	Washer	3
42	287854	Capscrew	2
43	136692	Nut	2
44	296167	Capscrew	3
45	320158	Washer	3
46	d 1385758	Gas Spring	1

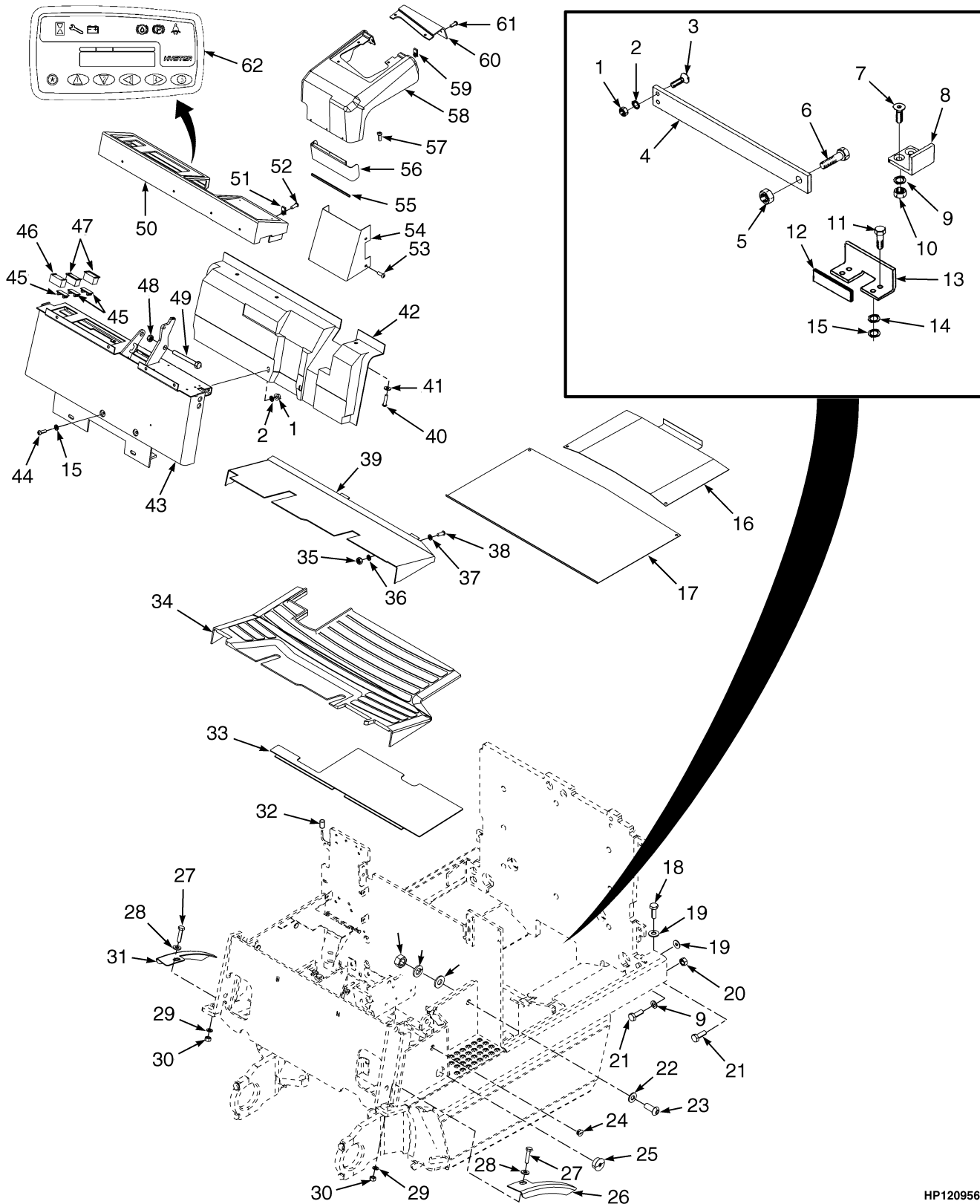
**HOOD
ELECTRONIC HYDRAULICS**

ITEM	PART NO.	DESCRIPTION	QTY
46	e 1665174	Gas Spring (With Spacer)	1
47	1340866	Spring	1
48	1364096	Clevis	1
49	15025	Nut	1
50	1385761	Rod	1
51	1615121	Bracket Wldmt	1
52	239503	Nut	3
53	18515	Washer	6
54	15212	Cotter Pin	2
55	139	Pin	1
56	a 15906	Lockwasher	1

FOOTNOTES:

- | | | | |
|----------|---------------------|----------|----------|
| a | Not Illustrated | d | → 8/2007 |
| b | With Raised Hood | e | 8/2007 → |
| c | Without Raised Hood | | |

FLOORPLATES AND COVERS (FIGURE 1-3) MANUAL HYDRAULICS



HP120956

**FLOORPLATES AND COVERS
MANUAL HYDRAULICS****KEY:****A: With Battery Rollers****B: Without Battery Rollers**

ITEM	PART NO.	DESCRIPTION	QTY	
			A	B
1	239503	Nut	4	2
2	292681	Lockwasher	4	2
3	296227	Capscrew	2	..
4	2023978	Plate	1	..
5	296136	Nut	1	..
6	292584	Capscrew	1	..
7	296239	Capscrew	4	..
8	2023979	Spacer	2	..
9	388049 292682	Lockwasher	13	9
10	292655	Nut	4	..
11	293614	Capscrew	4	..
12	2034095	Foam Rubber	1	..
13	2034094	Plate	1	..
14	296360	Washer	4	..
15	320158	Washer	6	2
16	2023947	Cover	1	1
17	2023868	Cover	1	1
18	287860	Capscrew	2	2
19	1356113	Washer	11	11
20	136692	Nut	9	9
21	136985	Capscrew	4	4
22	1324577	Washer	1	1
23	2072664	Capscrew	1	1
24	1389590	Plug	3	3
25	1356377	Plug	2	2
26	b 1551538	Fender (LH) (878 mm Battery Compartment)	1	1
26	c 1550700	Fender (LH) (878 mm Battery Compartment)	1	1
26	a 1550701	Fender (LH) (878 mm Battery Compartment)	1	1
26	b 2086279	Fender (LH) (890 mm Battery Compartment)	1	1
26	c 2086281	Fender (LH) (890 mm Battery Compartment)	1	1
26	a 2086283	Fender (LH) (890 mm Battery Compartment)	1	1
26	b 1553908	Fender (LH) (909 mm Battery Compartment)	1	1
26	c 1553909	Fender (LH) (909 mm Battery Compartment)	1	1
26	a 1553910	Fender (LH) (909 mm Battery Compartment)	1	1
27	292529	Capscrew	2	2
28	320162	Washer	4	4
29	292683	Lockwasher	2	2
30	1318914 216877	Nut	2	2
31	b 1553737	Fender (RH) (878 mm Battery Compartment)	1	1
31	c 1553738	Fender (RH) (878 mm Battery Compartment)	1	1
31	a 1553739	Fender (RH) (878 mm Battery Compartment)	1	1
31	b 2086280	Fender (RH) (890 mm Battery Compartment)	1	1
31	c 2086282	Fender (RH) (890 mm Battery Compartment)	1	1

FLOORPLATES AND COVERS MANUAL HYDRAULICS

KEY:

A: With Battery Rollers

B: Without Battery Rollers

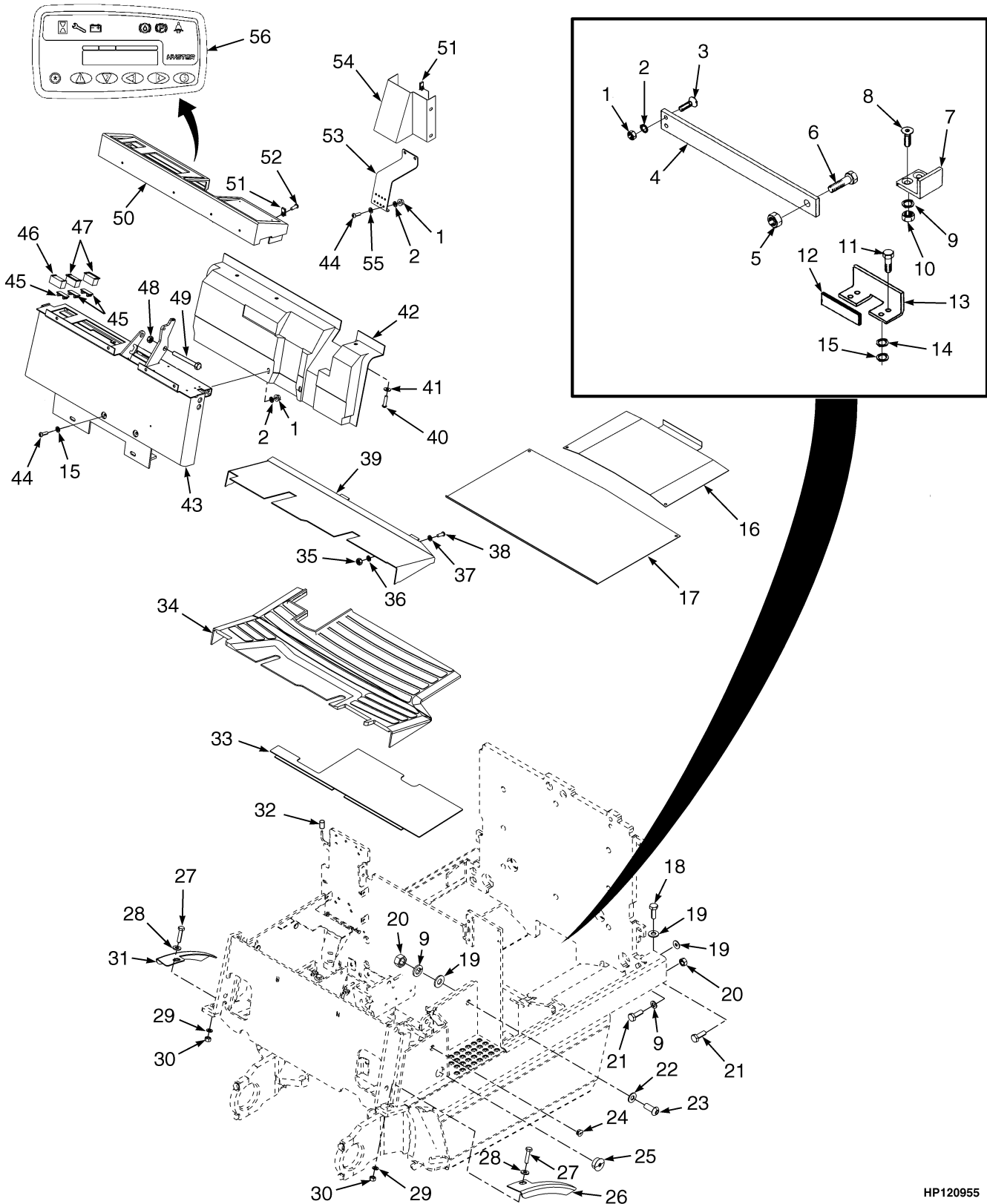
ITEM	PART NO.	DESCRIPTION	QTY	
			A	B
31	a 2086284	Fender (RH) (890 mm Battery Compartment)	1	1
31	b 1550702	Fender (RH) (909 mm Battery Compartment)	1	1
31	c 1550703	Fender (RH) (909 mm Battery Compartment)	1	1
31	a 1553672	Fender (RH) (909 mm Battery Compartment)	1	1
32	1326939	Cap	1	1
33	2026813	Floorplate	1	1
34	2026804	Floormat	1	1
35	15056	Nut	2	2
36	15156	Lockwasher	2	2
37	15176	Washer	2	2
38	17105	Bolt	2	2
39	2072295	Floorplate (Front)	1	1
40	296161	Capscrew	3	3
41	15127	Washer	3	3
42	2065835	Liner	1	1
43	1551686	Cowl	1	1
44	296167	Capscrew	2	2
45	1382313	Cover	3	3
46	1382312	Panel (Center)	1	1
47	1382311	Panel (End)	2	2
48	169874	Nut	4	4
49	18494	Capscrew	1	1
50	2065834	Dash Panel	1	1
51	1354323	Nut (Foldover)	14	14
52	353144	Capscrew	8	8
53	296159	Capscrew	3	3
54	1666467	Cover Without Raised Hood	1	1
54	1666468	Cover With Raised Hood	1	1
55	1376812	Trim	1	1
56	1364395	Cover	1	1
57	1364399	Screw	3	3
58	2065839	Cover (Hydraulic Linkage)	1	1
59	1381918	Nut (Foldover)	2	2
60	2066939	Cover	1	1
61	1381919	Screw	2	2
62	d 1525718	Dash Display (Standard)	1	1
62	d 1516977	Dash Display (Premium)	1	1
62	e 1632493	Dash Display (Standard)	1	1
62	e 1632494	Dash Display (Premium)	1	1

FOOTNOTES:

a Extra-Wide Tread
b Standard Tread
c Wide Tread

d → S/N F114A01500D
e S/N F114A01501D →

FLOORPLATES AND COVERS (FIGURE 1-4) ELECTRONIC HYDRAULICS



HP120955

**FLOORPLATES AND COVERS
ELECTRONIC HYDRAULICS****KEY:****A: With Battery Rollers****B: Without Battery Rollers**

ITEM	PART NO.	DESCRIPTION	QTY	
			A	B
1	239503	Nut	7	5
2	292681	Lockwasher	7	5
3	296227	Capscrew	2	..
4	2023978	Plate	1	..
5	296136	Nut	1	..
6	292584	Capscrew	1	..
7	2023979	Spacer	2	..
8	296239	Capscrew	4	..
9	388049 292682	Lockwasher	13	9
10	292655	Nut	4	..
11	293614	Capscrew	4	..
12	2034095	Foam Rubber	1	..
13	2034094	Plate	1	..
14	296360	Washer	4	..
15	320158	Washer	6	2
16	2023947	Cover	1	1
17	2023868	Cover	1	1
18	287860	Capscrew	2	2
19	1356113	Washer	11	11
20	136692	Nut	9	9
21	136985	Capscrew	4	4
22	1324577	Washer	1	1
23	2072664	Capscrew	1	1
24	1389590	Plug	3	3
25	1356377	Plug	2	2
26	c 1551538	Fender (LH) (878 mm Battery Compartment)	1	1
26	d 1550700	Fender (LH) (878 mm Battery Compartment)	1	1
26	a 1550701	Fender (LH) (878 mm Battery Compartment)	1	1
26	c 2086279	Fender (LH) (890 mm Battery Compartment)	1	1
26	d 2086281	Fender (LH) (890 mm Battery Compartment)	1	1
26	a 2086283	Fender (LH) (890 mm Battery Compartment)	1	1
26	c 1553908	Fender (LH) (909 mm Battery Compartment)	1	1
26	d 1553909	Fender (LH) (909 mm Battery Compartment)	1	1
26	a 1553910	Fender (LH) (909 mm Battery Compartment)	1	1
27	292529	Capscrew	2	2
28	320162	Washer	4	4
29	292683	Lockwasher	2	2
30	1318914 216877	Nut	2	2
31	c 1553737	Fender (RH) (878 mm Battery Compartment)	1	1
31	d 1553738	Fender (RH) (878 mm Battery Compartment)	1	1
31	a 1553739	Fender (RH) (878 mm Battery Compartment)	1	1
31	c 2086280	Fender (RH) (890 mm Battery Compartment)	1	1
31	d 2086282	Fender (RH) (890 mm Battery Compartment)	1	1

FLOORPLATES AND COVERS ELECTRONIC HYDRAULICS

KEY:

A: With Battery Rollers

B: Without Battery Rollers

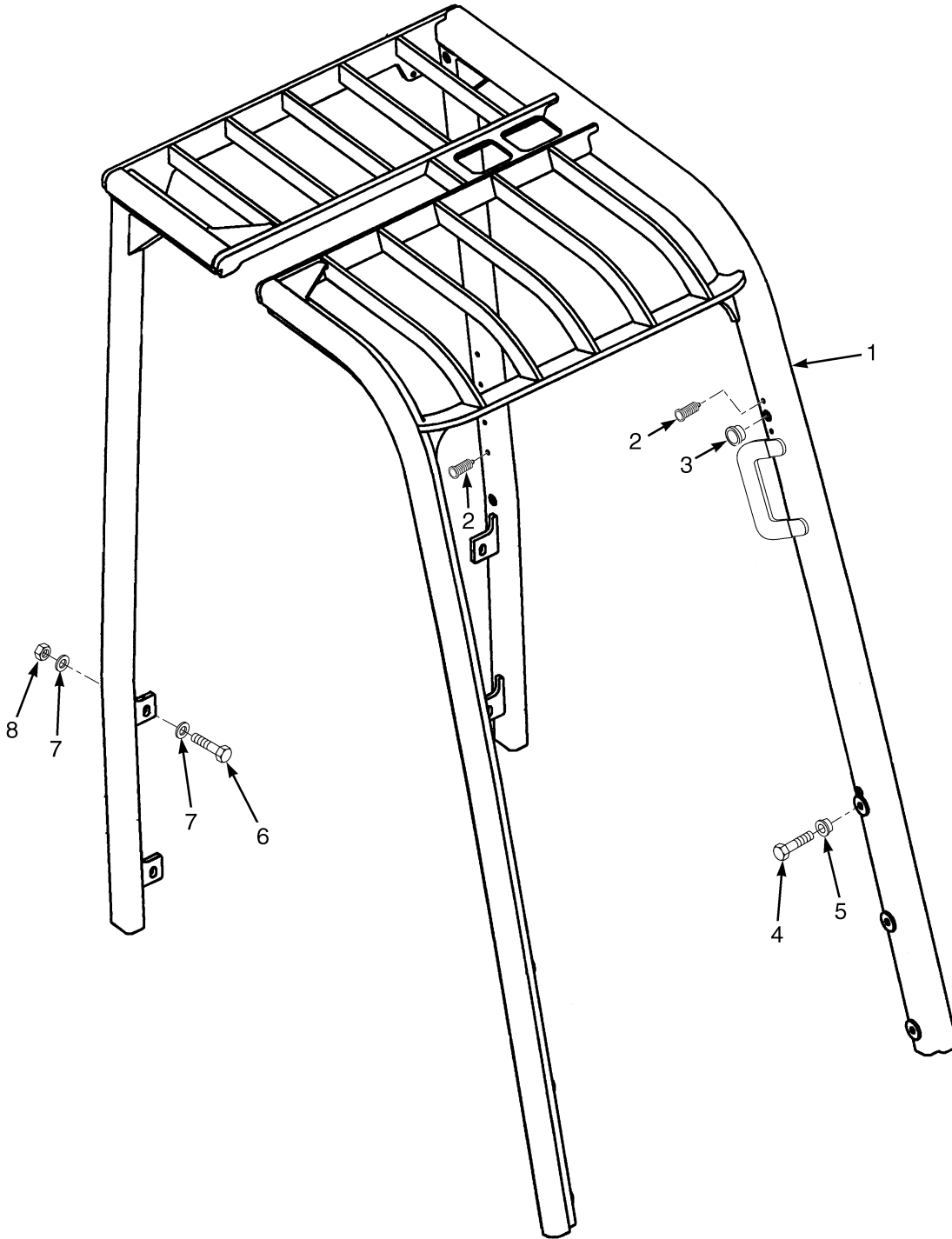
ITEM	PART NO.	DESCRIPTION	QTY	
			A	B
31	a 2086284	Fender (RH) (890 mm Battery Compartment)	1	1
31	c 1550702	Fender (RH) (909 mm Battery Compartment)	1	1
31	d 1550703	Fender (RH) (909 mm Battery Compartment)	1	1
31	a 1553672	Fender (RH) (909 mm Battery Compartment)	1	1
32	1326939	Cap	1	1
33	2086285	Floorplate	1	1
34	2086286	Floormat	1	1
35	15056	Nut	2	2
36	15156	Lockwasher	2	2
37	15176	Washer	2	2
38	17105	Bolt	2	2
39	2072295	Floorplate (Front)	1	1
40	296161	Capscrew	3	3
41	15127	Washer	3	3
42	2065835	Liner	1	1
43	1551686	Cowl	1	1
44	296167	Capscrew	3	3
45	1382313	Cover	3	3
46	1382312	Panel (Center)	1	1
47	1382311	Panel (End)	2	2
48	169874	Nut	1	1
49	18494	Capscrew	1	1
50	2065834	Dash Panel	1	1
51	1354323	Nut (Foldover)	14	14
52	353144	Capscrew	8	8
53	1615253	Bracket	1	1
54	1615252	Cover	1	1
55	296418	Washer	1	1
56	e 1525718	Dash Display (Standard)	1	1
56	e 1516977	Dash Display (Premium)	1	1
56	f 1632493	Dash Display (Standard)	1	1
56	f 1632494	Dash Display (Premium)	1	1
	b 296159	Capscrew	3	3

FOOTNOTES:

a Extra-Wide Tread
b Not Illustrated
c Standard Tread

d Wide Tread
e → S/N F114A01500D
f S/N F114A01501D →

OVERHEAD GUARD (FIGURE 1-5)

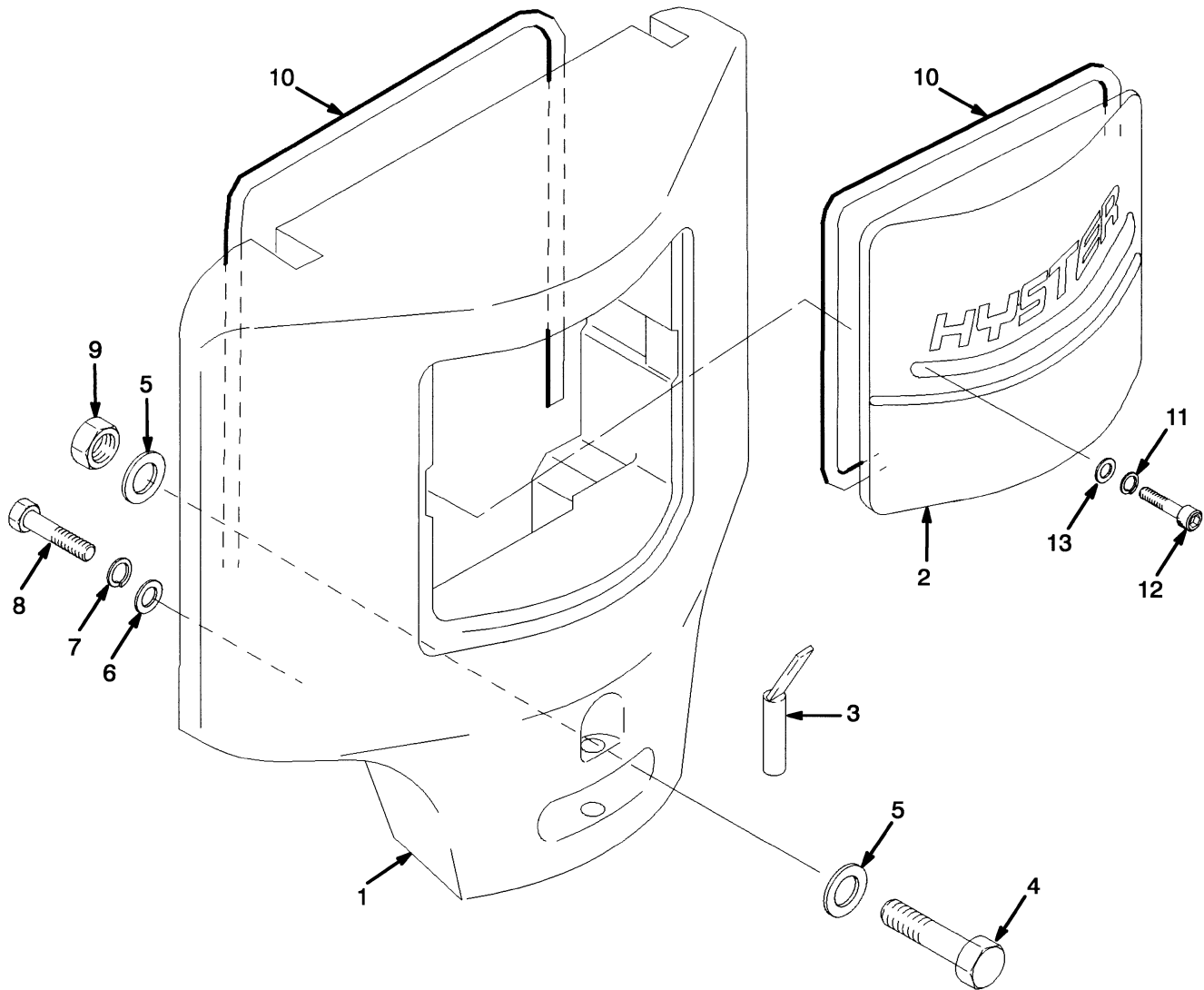


HP120950

OVERHEAD GUARD

ITEM	PART NO.	DESCRIPTION	QTY
1	1551787	Overhead Guard (85.0 in. OAH)	1
1	1551788	Overhead Guard (87.5. in. OAH)	1
2	1363916	Plug	16
3	1363917	Plug	4
4	293646	Capscrew	6
5	1337087	Flange	6
6	293647	Capscrew	4
7	320161	Washer	8
8	1390182	Nut	4

COUNTERWEIGHT (FIGURE 1-6)



HP120208

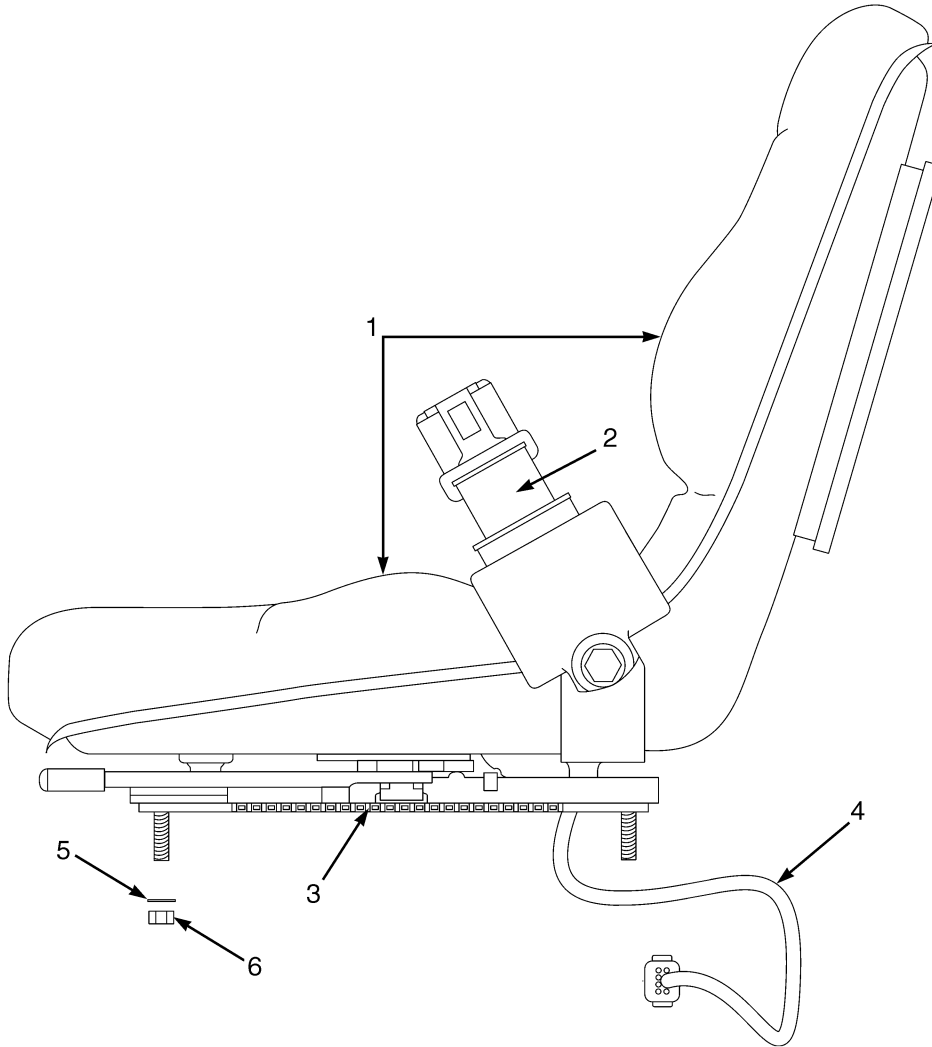
COUNTERWEIGHT

ITEM	PART NO.	DESCRIPTION	QTY
1	1566680	Counterweight (E1.50, 1.75XM)	1
1	1566681	Counterweight (E2.00XMS)	1
2	1550699	Cover	1
3	326347	Tow Pin	1
4	292537	Capscrew	2
5	296423	Washer	4
6	221777	Washer	2
7	15162	Lockwasher	2
8	168054	Capscrew	2
9	300937	Nut	2
10	326003	Foam Tape	AR
10	1546460	Foam Tape	AR
11	15134	Washer	2
12	46698	Capscrew	2
13	15156	Lockwasher	2
	a 2311349	Shim	AR

FOOTNOTES:

a Not Illustrated

NON-SUSPENSION SEAT (FIGURE 1-7)

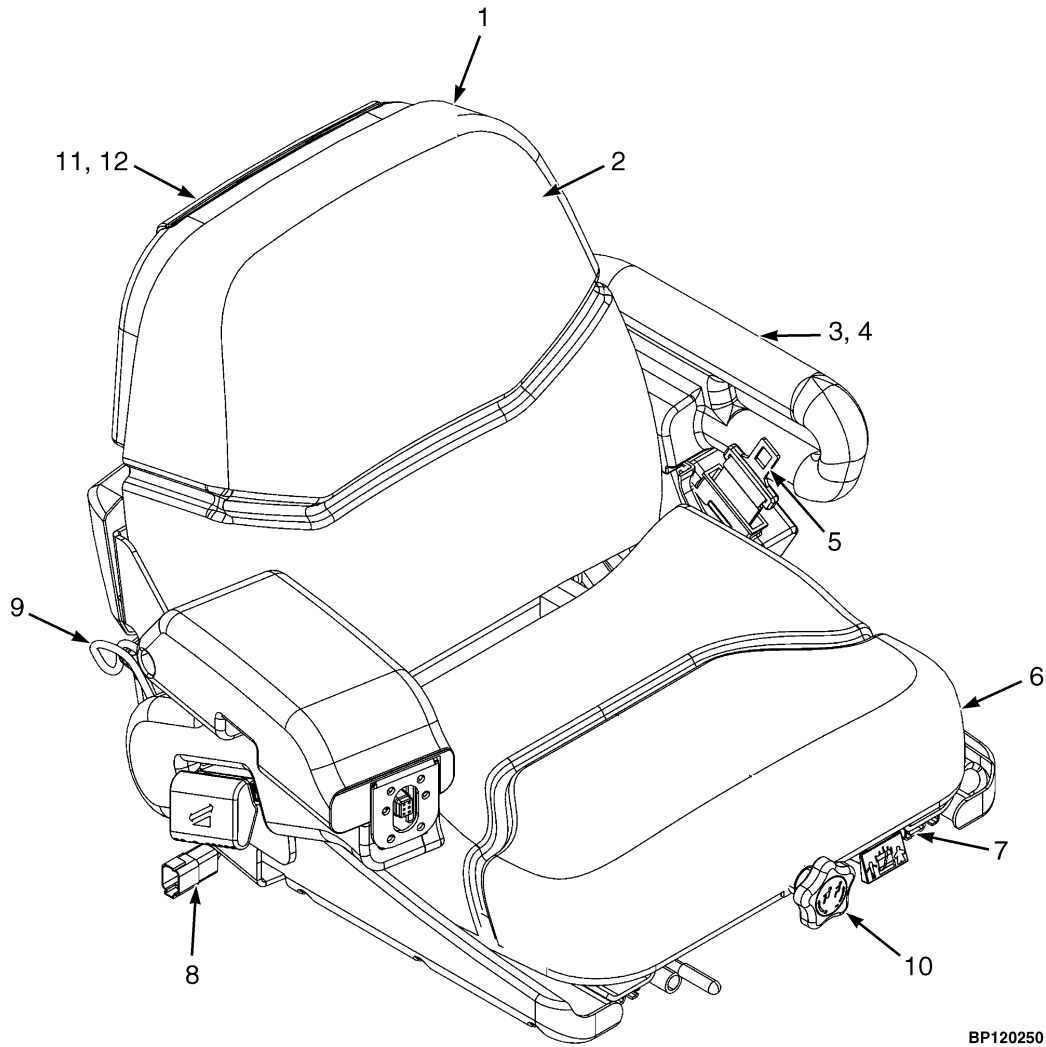


BP120272

NON-SUSPENSION SEAT

ITEM	PART NO.	DESCRIPTION	QTY
	2087669	Seat-Non Suspension (Vinyl)	1
	2087670	Seat-Non Suspension (Cloth)	1
1	1563351	Kit-Seat Cushion (Vinyl)	1
1	1563222	Kit-Seat Cushion (Cloth)	1
1	1354140	Switch	1
2	1598504	Kit-Seat Belt (Black)	1
2	1636120	Kit-Red Seat Belt	1
3	1459112	Kit-Seat Rail	1
4	1591652	Wire Harness	1
4	2089673	Wire Harness	1
4	2070392	Harness Pigtail	1
5	15154	Lockwasher	4
6	15114	Locknut	4

**SEMI SUSPENSION SEAT (FIGURE 1-8)
WITH AND WITHOUT ELECTRONIC CONTROLS**

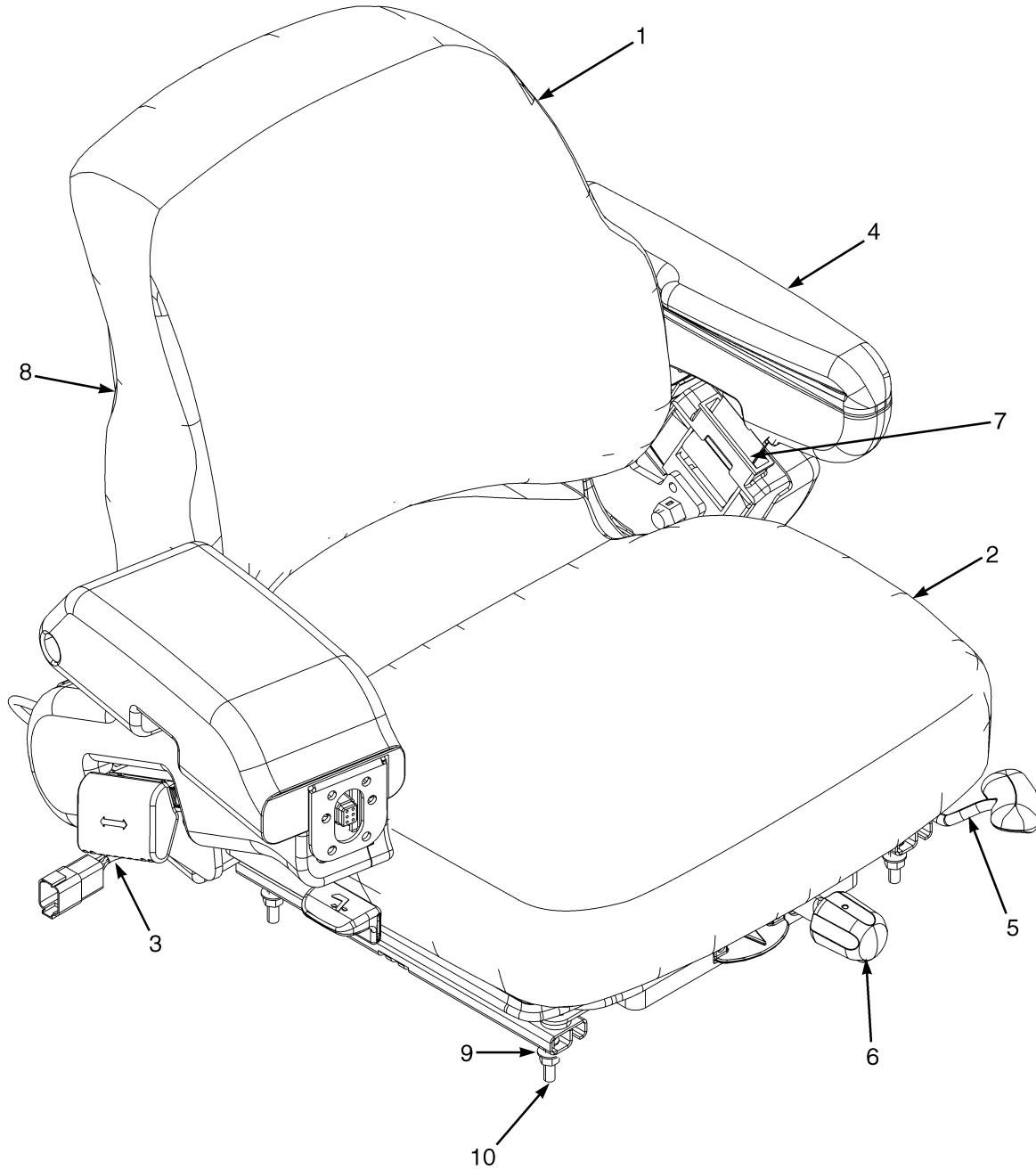


BP120250

**SEMI SUSPENSION SEAT
WITH AND WITHOUT ELECTRONIC CONTROLS****KEY:****A: Cloth****B: Vinyl**

ITEM	PART NO.	DESCRIPTION	QTY	
			A	B
1	2088418	Seat Assy (Vinyl) (With E-Hydraulic Arm)	1
1	2088419	Seat Assy (Cloth) (With E-Hydraulic Arm)	1	..
1	2088738	Seat Assy (Vinyl) (With Left and Right Arm Rest)	1
1	2088739	Seat Assy (Cloth) (With Left and Right Arm Rest)	1	..
1	1362049	Kit-Shock Absorber	1	1
2	1649525	Cushion (Cloth)	1	..
2	1649524	Cushion (Vinyl)	1
3	1453882	Armrest (LH)	1	1
4	1453883	Armrest (RH)	1	1
5	1598504	Kit-Seat Belt (Black)	1	1
5	1636120	Kit-Red Seat Belt	1	1
6	1584051	Seat Cushion (Cloth)	1	..
6	1584116	Seat Cushion (Vinyl)	1
7	1459112	Kit-Seat Rail	1	1
8	1354140	Switch	1	1
9	1654891	Wire Harness (With E-Hydraulic Arm)	1	1
9	1591652	Wire Harness (With Left and Right Arm Rest)	1	1
10	1563227	Knob	1	1
11	1374190	Cover	1	1
12	1362058	Kit-Manual Holder	1	1
	1647532	Foam for Right hand Forearm Cushion/Rest (Not Illustrated)	1	1
	1563211	Knob (Electronic Control Arm) (Not Illustrated)	1	1

**FULL SUSPENSION SEAT (FIGURE 1-9)
WITH AND WITHOUT ELECTRONIC CONTROLS**



**FULL SUSPENSION SEAT
WITH AND WITHOUT ELECTRONIC CONTROLS****KEY:**

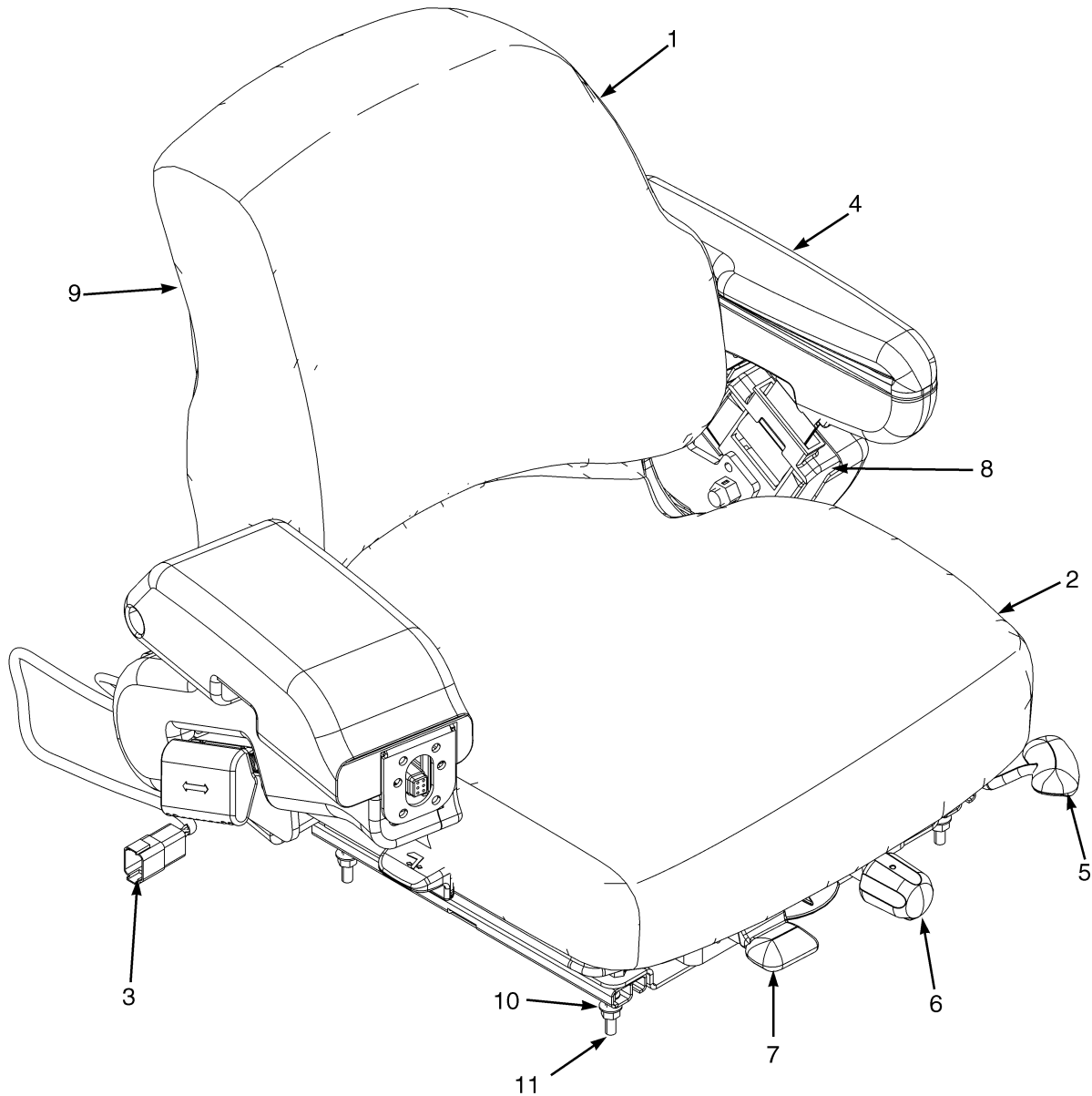
- A: Vinyl with Hip Restraints Only**
B: Cloth with Hip Restraints Only
C: Vinyl with E-Hydraulic Arm
D: Cloth with E-Hydraulic Arm

ITEM	PART NO.	DESCRIPTION	QTY			
			A	B	C	D
	2088412	Seat-Full Suspension (Vinyl)	1
	2088413	Seat-Full Suspension (Cloth)	1
	2088414	Seat-Full Suspension (Vinyl)	1	..
	2088415	Seat-Full Suspension (Cloth)	1
1	1470152	Seat Cushion (Back Cushion) (Vinyl)	1	..	1	..
1	1470153	Seat Cushion (Back Cushion) (Cloth)	1	..	1
2	1494076	Seat Cushion (Vinyl)	1	..	1	..
2	1494077	Seat Cushion (Cloth)	1	..	1
2	1591553	Sensor Switch-Kit	1	1	1	1
2	1467514	Switch (Seat)	1	1	1	1
2	1467515	Wire Harness	1	1	1	1
2	1637285	Spring	1	1	1	1
3	1654891	Wire Harness	1	1
3	1591652	Wire Harness	1	1
4	1563230	Cushion (LH Armrest)	1	1	1	1
4	1563231	Cushion (RH Armrest)	1	1
5	1489696	Kit-Seat Rail	1	1	1	1
6	1584631	Knob Assembly	1	1	1	1
7	1598504	Kit-Seat Belt (Black)	1	1	1	1
7	1636120	Kit-Red Seat Belt	1	1	1	1
8	1470155	Information Case (Kit)	1	1	1	1
9	15114	Locknut	4	4	4	4
10	15175	Lockwasher	4	4	4	4
	1647532	Foam for Right hand Forearm Cushion/Rest	1	1	1	1
	1563211	Knob (Electronic Control Arm)	1	1	1	1
	392238	Grommet	1	1	1	1
	a 1467529	Kit-Spring	1	1	1	1
	a 1627639	Weight Adjust Rack	1	1	1	1
	a 1467525	Kit-Bumper	1	1	1	1
	a 1467523	Kit-Boot	1	1	1	1
	a 1467526	Kit-Shaft and Bearing	1	1	1	1
	a 1467524	Kit-Bearing	1	1	1	1
	a 1470163	Kit-Weight Adjuster	1	1	1	1
	a 1584631	Knob Assembly	1	1	1	1
	a 1600126	Handle	1	1	1	1

FOOTNOTES:

- a** Not Illustrated

FULL SUSPENSION SWIVEL SEAT (FIGURE 1-10) WITH ELECTRONIC HYDRAULICS ARMREST



BP120275

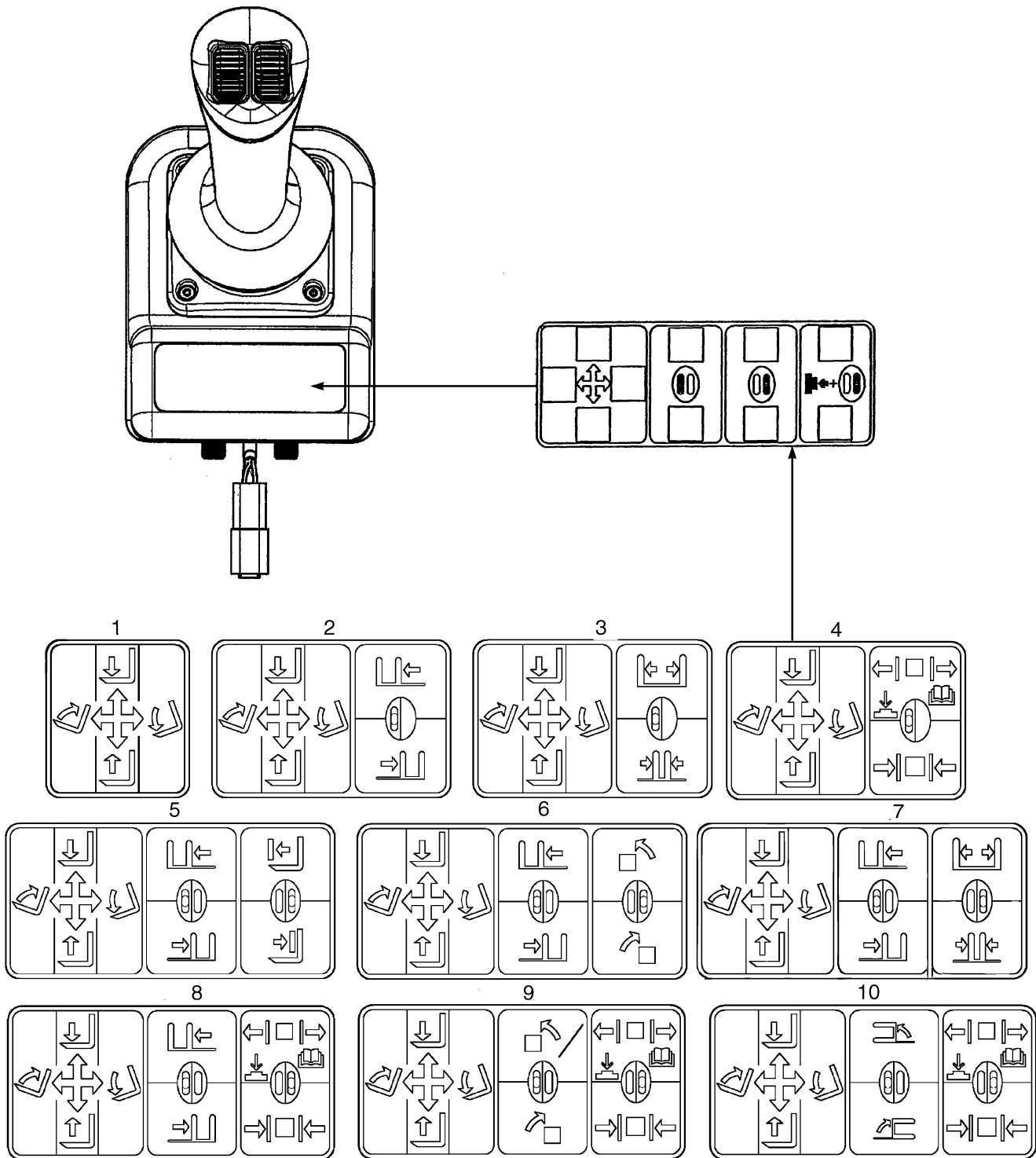
**FULL SUSPENSION SWIVEL SEAT
WITH ELECTRONIC HYDRAULICS ARMREST**

ITEM	PART NO.	DESCRIPTION	QTY
	2088416	Seat-Full Suspension (Vinyl)	1
	2088417	Seat-Full Suspension (Cloth)	1
1	1470152	Seat Cushion (Back Cushion) (Vinyl)	1
1	1470153	Seat Cushion (Back Cushion) (Cloth)	1
2	1494076	Seat Cushion (Vinyl)	1
2	1494077	Seat Cushion (Cloth)	1
2	1591553	Sensor Switch-Kit	1
2	1467514	Switch (Seat)	1
2	1467515	Wire Harness	1
2	1637285	Spring	2
3	1654891	Wire Harness	1
4	1563230	Cushion (LH Armrest)	1
5	1489696	Kit-Seat Rail	1
6	1470163	Kit-Weight Adjuster	1
6	1584631	Knob Assembly	1
6	1600126	Handle	1
7	1563211	Knob (Electronic Control Arm)	1
8	1598504	Kit-Seat Belt (Black)	1
8	1636120	Kit-Red Seat Belt	1
9	1470155	Information Case (Kit)	1
10	15175	Lockwasher	4
11	15114	Locknut	4
	a 392238	Grommet	1
	a 1647532	Foam for Right hand Forearm Cushion/Rest	1
	a 1546689	Lever (Swivel Release)	1
	a 1467529	Kit-Spring	1
	a 1684395	Kit-Swivel Seat Full Susp (Alternate Part)	1
	a 1627639	Weight Adjust Rack	1
	a 1467523	Kit-Boot	1
	a 1467527	Kit-Weight Adjuster Indicator	1
	a 1467526	Kit-Shaft and Bearing	1
	a 1467524	Kit-Bearing	1
	a 1467525	Kit-Bumper	1

FOOTNOTES:

a Not Illustrated

LABELS (FIGURE 1-11) JOYSTICK

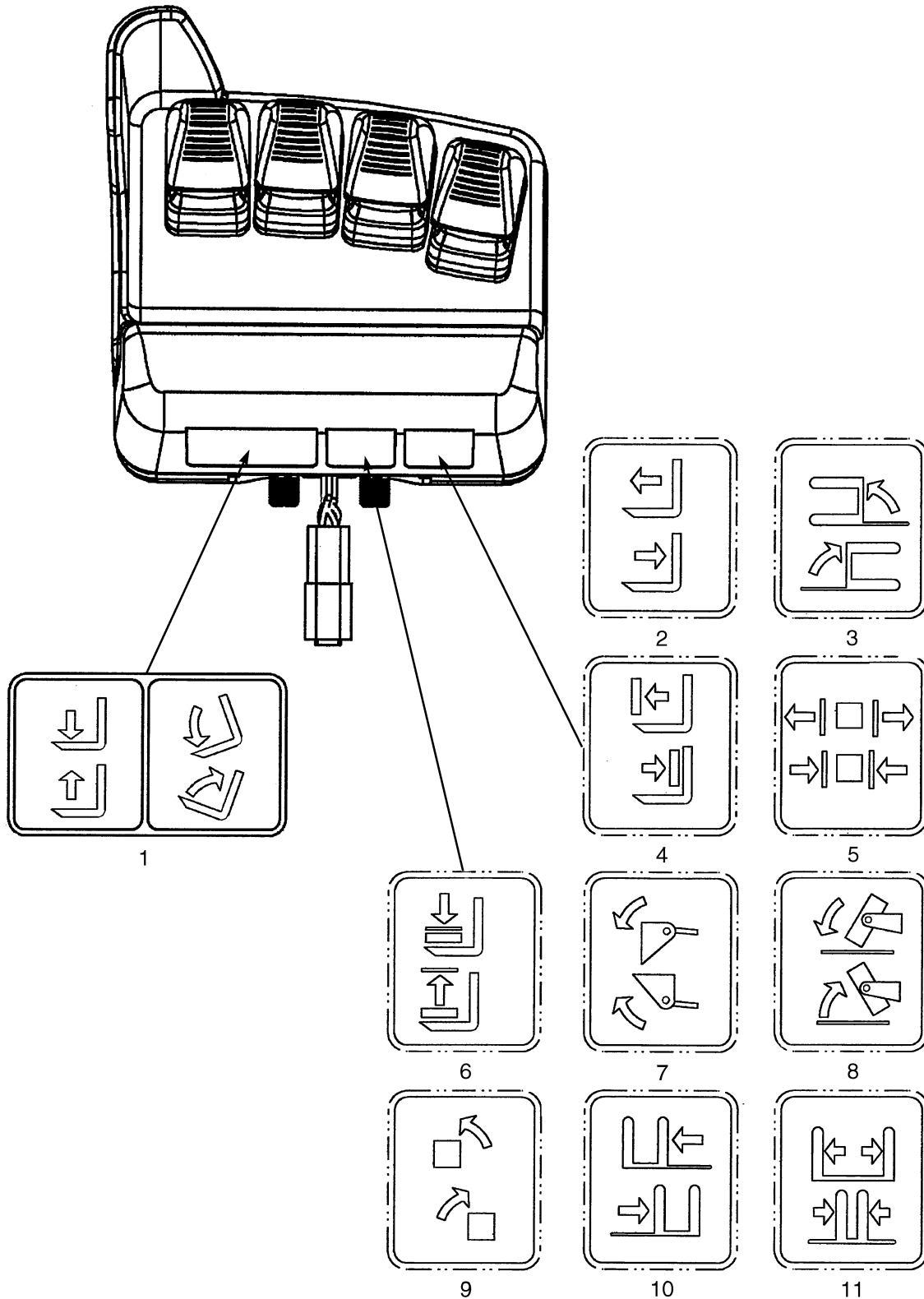


BP120197

**LABELS
JOYSTICK**

ITEM	PART NO.	DESCRIPTION	QTY
1	2086556	Label (Hoist and Tilt)	1
2	2086557	Label (Hoist and Tilt, Side-Shift)	1
3	2086558	Label (Hoist and Tilt, Fork Spread)	1
4	2085878	Label (Hoist and Tilt, Clamp)	1
5	2086560	Label (Hoist and Tilt, Side-Shift, Push/Pull)	1
6	2086561	Label (Hoist and Tilt, Side-Shift, Rotate)	1
7	2086559	Label (Hoist and Tilt, Side-Shift, Fork Spread)	1
8	2085879	Label (Hoist and Tilt, Side-Shift, Clamp)	1
9	2085880	Label (Hoist and Tilt, Rotate, Clamp)	1
10	2085881	Label (Hoist and Tilt, Swing, Clamp)	1

LABELS (FIGURE 1-12) MINI LEVERS

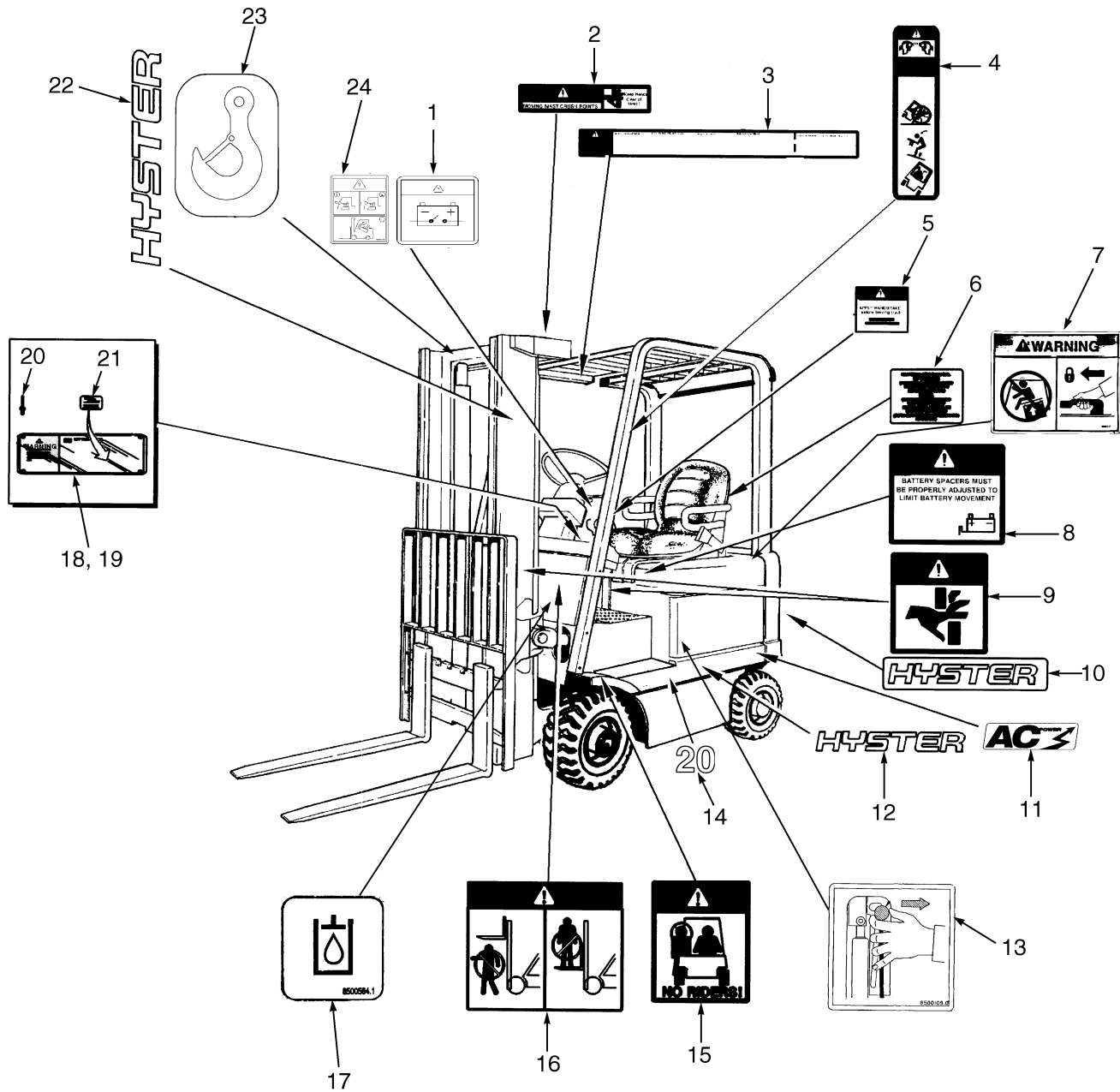


YP120188

**LABELS
MINI LEVERS**

ITEM	PART NO.	DESCRIPTION	QTY
1	2093047	Label (Hoist and Tilt) (Electronic Hydraulics)	1
1	369573	Label (Lift/Tilt) (Manual Hydraulics)	1
2	2073115	Label (Reach)	1
3	2073114	Label (Swing)	1
4	2073118	Label (Push/Pull)	1
5	2085877	Label (Clamp)	1
6	2073116	Label (Load Stabilizer)	1
7	2073117	Label (Scoop)	1
8	2073119	Label (Uprender)	1
9	2073121	Label (Rotate)	1
10	2073122	Label (Side-Shift)	1
11	2073123	Label (Fork Spread)	1

LABELS (FIGURE 1-13) EXTERIOR



HP121007

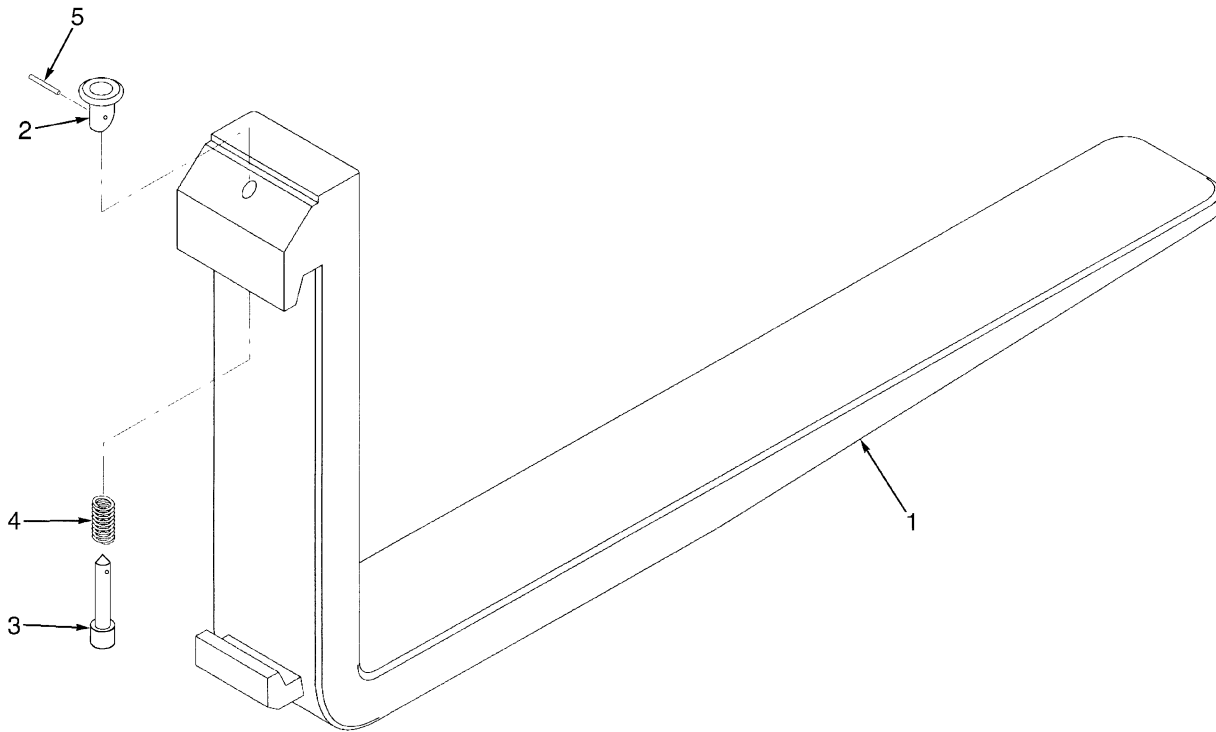
**LABELS
EXTERIOR**

ITEM	PART NO.	DESCRIPTION	QTY
1	1335164	Label (Battery Disconnect)	1
2	1343276	Label (Mast Warning)	1
3	1373909	Label (Operator Warning)	1
4	1359588	Label (Operator Restraint)	2
5	2310911	Label (Parking Brake Warning)	1
6	1328205	Label (Replace Operator Manual)	1
7	1379808	Label (Hood Latch)	1
8	1342699	Label (Battery Spacer)	1
9	1339832	Label (Pinch Point)	2
10	1574120	Label (Hyster)	1
11	1561212	Label (ACX)	2
12	1339674	Label (Hyster)	2
13	1379443	Label (Prop Rod)	1
14	2026000	Label (Model 1.50)	2
14	2026001	Label (Model 1.75)	2
14	1339667	Label (Model 2.00)	2
15	1339828	Label (No Riders)	2
16	2075655	Label (Mast Warning)	2
17	1385099	Label (Hydraulic Oil Fill)	1
18	a	Nameplate	1
19	389688	Nameplate Cover	1
20	170658	Rivet	4
21	1335138	Label (Nameplate, Complete Truck)	1
22	1339672	Label (Hyster)	2
23	316448	Label (Lifting Eye)	3
24	2090160	Label (Caution E-Hydraulics)	1
	1534660	Label (Patents and Trademarks)	1

FOOTNOTES:

- a** Contact Your Local Hyster Dealer

FORKS (FIGURE 1-14) STANDARD



BP290040

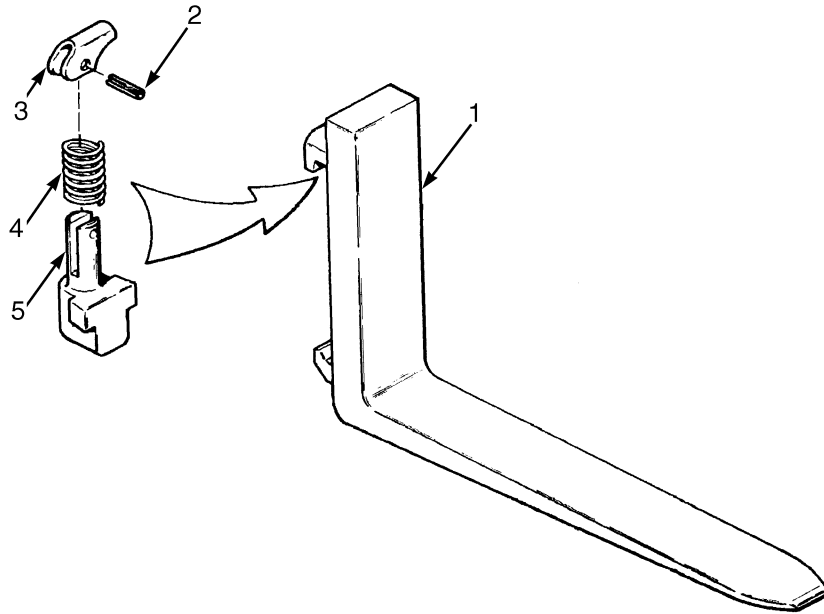
KEY:

A: 80 x 40 mm

B: 100 x 40 mm

ITEM	PART NO.	DESCRIPTION	QTY	
			A	B
1	1327021	Fork (1000 mm)	2	..
1	1327022	Fork (1100 mm)	2	..
1	1327023	Fork (1200 mm)	2	..
1	1333043	Fork (1000 mm)	2
1	1333044	Fork (1100 mm)	2
1	1333045	Fork (1200 mm)	2
2	1523732	Knob	1	1
3	1523733	Pin	1	1
4	1500782	Spring	1	1
5	1523734	Pin	1	1
	1523735	Kit-Latch	1	1

**FORKS (FIGURE 1-15)
OPTIONAL**



HP120793

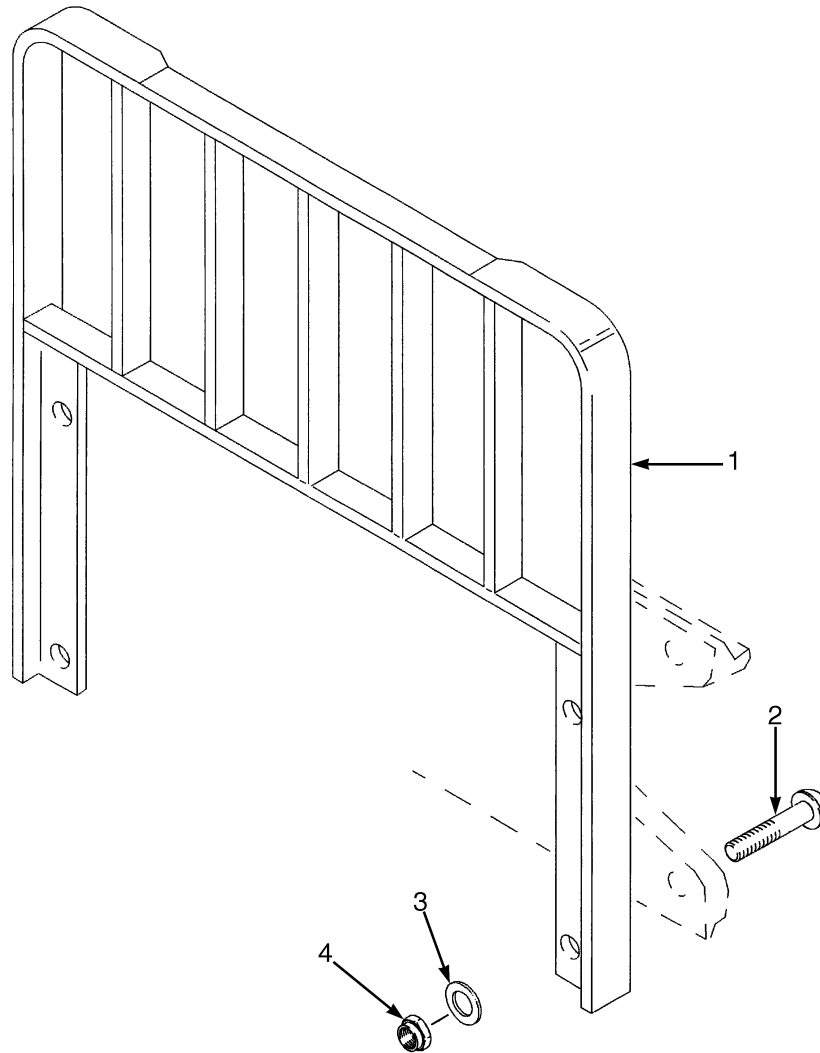
KEY:

A: 80 x 40 mm

B: 100 x 40 mm

ITEM	PART NO.	DESCRIPTION	QTY	
			A	B
1	1378776	Fork (1000 mm)	2	..
1	1378777	Fork (1100 mm)	2	..
1	1378779	Fork (1200 mm)	2	..
1	1378793	Fork (1000 mm)	2
1	1378794	Fork (1100 mm)	2
1	1378796	Fork (1200 mm)	2
2	302450	Roll Pin	1	1
3	1378763	Latch	1	1
4	1378762	Spring	1	1
5	1378760	Pin	1	1
	1378765	Kit-Latch (Class II)	1	1

LOAD BACKREST EXTENSION (FIGURE 1-16)



BP29002

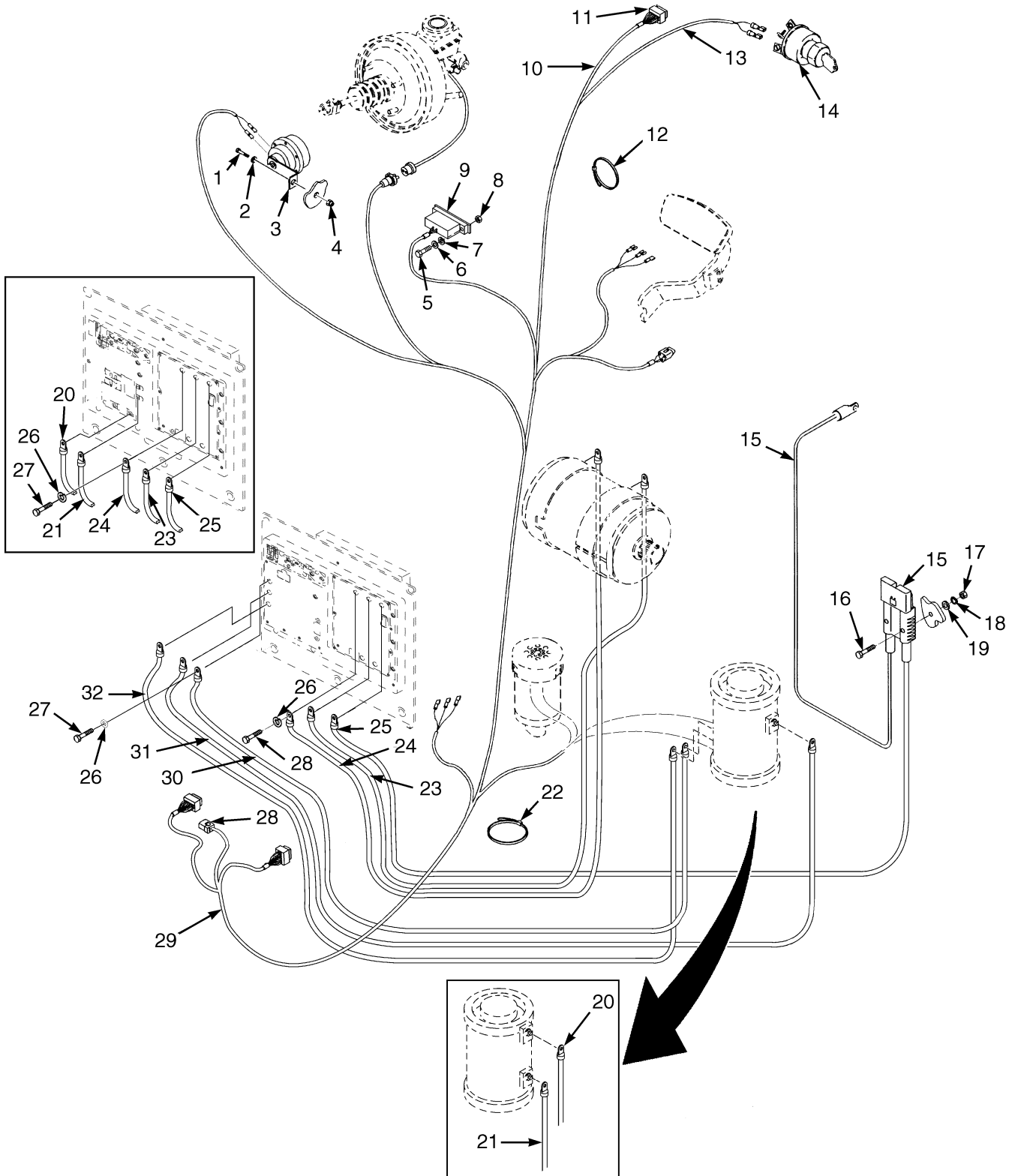
LOAD BACKREST EXTENSION

ITEM	PART NO.	DESCRIPTION	QTY
1	1663435	Load Backrest (Class III) (907 mm)	1
2	1353533	Capscrew	4
3	221771	Washer	4
4	300937	Nut	4

SECTION 2 ELECTRICAL SYSTEM

DESCRIPTION	PAGE
CONTACTOR	
LINE	2-24
POWER STEERING	2-26
CONTACTOR PANEL	
CONTACTOR HYDRAULIC	2-20
LINE AND POWER STEERING	2-22
CONTROL PANEL	
TRACTION CONTROLLER - WITH PUMP CONTROLLER	2-16
TRACTION CONTROLLER - WITH CONTACTOR HYDRAULIC	2-18
ELECTRICAL SYSTEM	2-2
ELECTRONIC CONTROL LEVERS	
MINI-LEVER MODULE (FOUR FUNCTION) - DATE CODE 0744	2-14
MINI-LEVER MODULES - DATE CODE 0724	2-6
MINI-LEVER MODULES (FOUR FUNCTION) - DATE CODE 0725 THRU 0743	2-10
MINI-LEVER MODULES (THREE FUNCTION) - DATE CODE 0725 THRU 0743	2-8
MINI-LEVER MODULES (THREE FUNCTION) - DATE CODE 0744	2-12
JOYSTICK	2-4
WIRE HARNESS	
CONTROL VALVE - ELECTRONIC HYDRAULICS	2-56
CONTROL VALVE SWITCH	2-44
DASH	2-58
HOOD	2-59
JOYSTICK	2-61
LIGHT SWITCHES	2-48
LIGHTS (→ S/N F114A02392F)	2-50
LIGHTS (S/N F114A02393F →)	2-52
MAIN CONTROL - SHEET 1 OF 2 (→ S/N F114A02390G)	2-28
MAIN CONTROL - SHEET 2 OF 2 (→ S/N F114A02390G)	2-32
PUMP CONTACTOR	2-62
REAR LIGHTS	2-46
SHIFT LEVER	2-60
WIRE HARNESS-MAIN CONTROL	
WITH OPERATOR PRESENCE SYSTEM - SHEET 1 OF 2 (S/N F114B01501G →)	2-36
WITH OPERATOR PRESENCE SYSTEM - SHEET 2 OF 2 (S/N F114B01501G →)	2-40

ELECTRICAL SYSTEM (FIGURE 2-1)



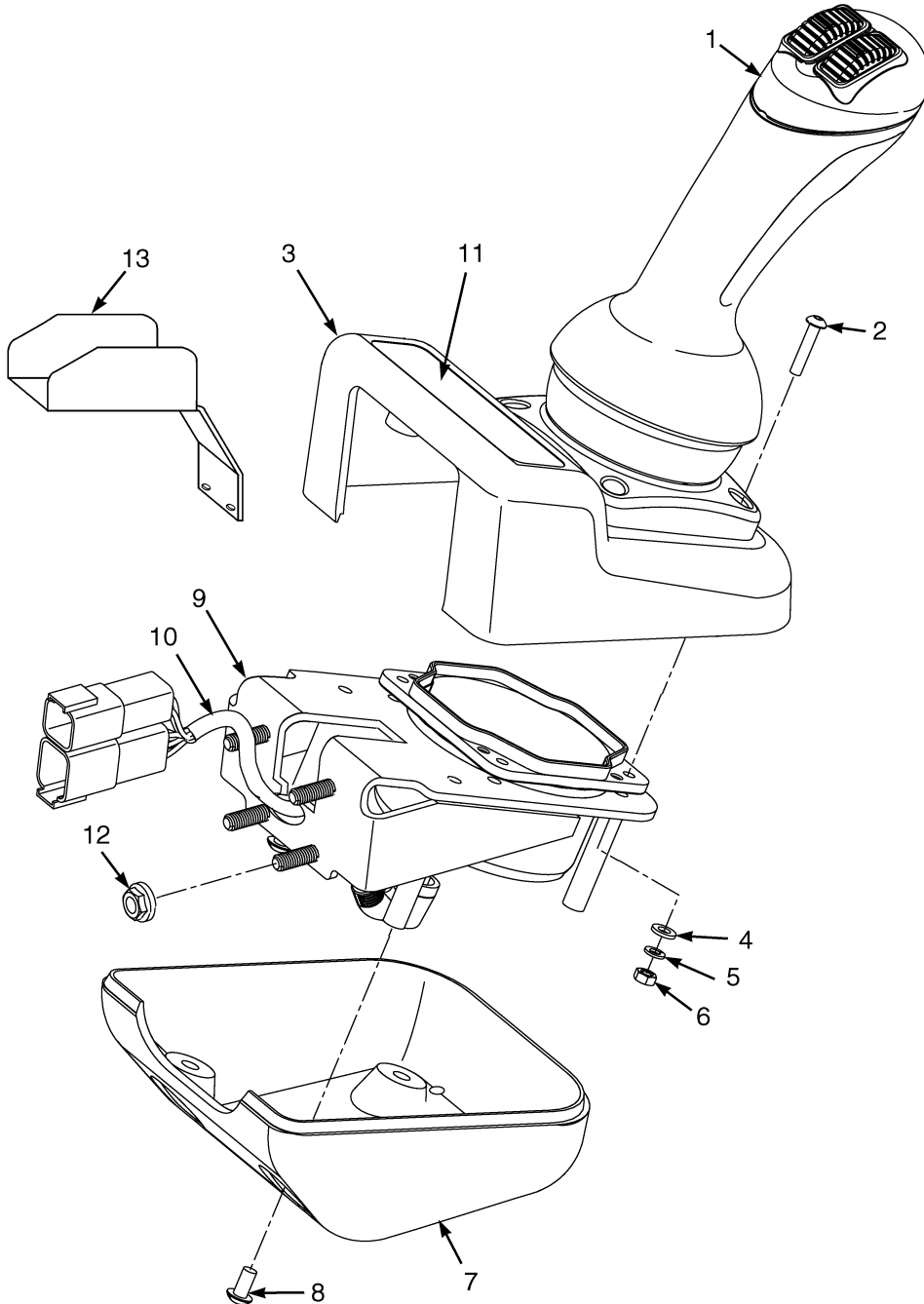
HP081729

ELECTRICAL SYSTEM

ITEM	PART NO.	DESCRIPTION	QTY
1	176640	Bolt	1
2	320158	Washer	1
3	2037165	Horn	1
4	313828	Nut	1
5	302233	Capscrew	2
6	1377379	Washer	2
7	292676	Lockwasher	2
8	292665	Nut	2
9	1364633	Terminal Block	1
10	2046671	Wire Harness (Control Valve Switch) (☞Figure 2-18).....	1
11	1351682	Connector (End Cap)	1
12	2004005	Strap Clamp	4
13	1340796	Wire Harness (Dash) (☞Figure 2-24).....	1
14	379902	Ignition Switch	1
14	1337197	Key Set (Includes 2 Keys)	1
14	186304	Key	2
15	1557119	Battery Connector and Cable (48 Volt)	1
15	378383	Battery Connector	1
15	364537	E-Ring	2
15	1357263	Cable	AR
15	1547837	E-Ring	2
15	190811	Cable	AR
16	292504	Capscrew	2
17	136687	Nut	2
18	292680	Washer	2
19	320156	Washer	2
20	1553449	Power Cable (To DC Hydraulic Pump)	1
21	1553448	Power Cable (To DC Hydraulic Pump)	1
22	1309280	Clamp	3
23	1553443	Power Cable	1
24	1553444	Power Cable	1
25	1553442	Power Cable	1
26	292681	Lockwasher	5
27	136681	Capscrew	10
28	1547847	Resistor	1
29	a 2083363	Wire Harness (Main Control) (☞Figure 2-14, ☞Figure 2-15).....	1
29	b 2095345	Wire Harness	1
30	1553445	Power Cable (To AC Hydraulic Pump)	1
31	1553446	Power Cable (To AC Hydraulic Pump)	1
32	1553447	Power Cable (To AC Hydraulic Pump)	1

FOOTNOTES:**a** → S/N F114A02390G**b** S/N F114B01501G →

JOYSTICK (FIGURE 2-2)



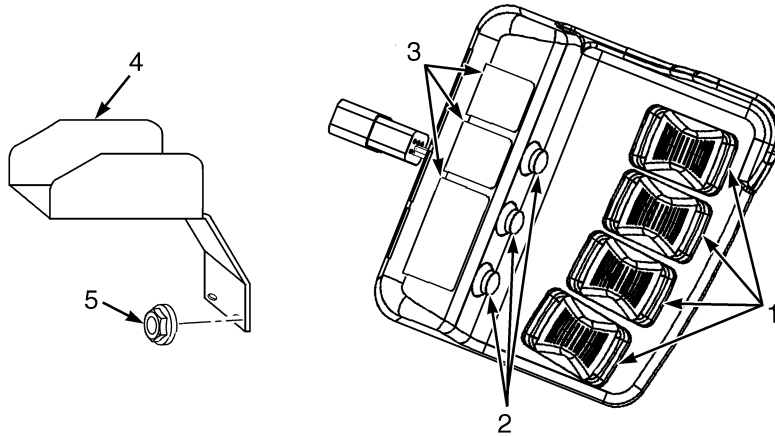
BP150080

JOYSTICK

ITEM	PART NO.	DESCRIPTION	QTY
	a 893957	Joystick (Three Function Hydraulic) (Without Interlock)	1
	b 4601798	Joystick (Three Function Hydraulic) (Without Interlock)	1
	a 893958	Joystick (Four Function Hydraulic) (Without Interlock)	1
	b 4601799	Joystick (Four Function Hydraulic) (Without Interlock)	1
	a 893961	Joystick (Three Function Hydraulic) (With Interlock)	1
	b 4601801	Joystick (Three Function Hydraulic) (With Interlock)	1
	a 893962	Joystick (Four Function Hydraulic) (With Interlock)	1
	b 4601800	Joystick (Four Function Hydraulic) (With Interlock)	1
1	a 893955	Joystick (Three Function Hydraulic) (Without Interlock)	1
1	b 4601806	Joystick (Three Function Hydraulic) (Without Interlock)	1
1	a 893959	Joystick (Three Function Hydraulic) (With Interlock)	1
1	b 4601808	Joystick (Three Function Hydraulic) (With Interlock)	1
1	a 893956	Joystick (Four Function Hydraulic) (Without Interlock)	1
1	b 4601807	Joystick (Four Function Hydraulic) (Without Interlock)	1
1	a 893960	Joystick (Four Function Hydraulic) (With Interlock)	1
1	b 4601809	Joystick (Four Function Hydraulic) (With Interlock)	1
2	1598283	Screw	4
3	1550647	Housing (Upper)	1
4	320154	Washer	4
5	292678	Lockwasher	4
6	292667	Nut	4
7	1550646	Housing (Lower)	1
8	2062718	Capscrew	6
9	1552107	Bracket	1
10	2084703	Wire Harness (Joystick)	1
11	Label	1
12	1307884		
	1514429	Nut	4
13	1579847	Bracket	1

FOOTNOTES:**a** → PENDING PER ECN 106141**b** PENDING PER ECN 106141 →

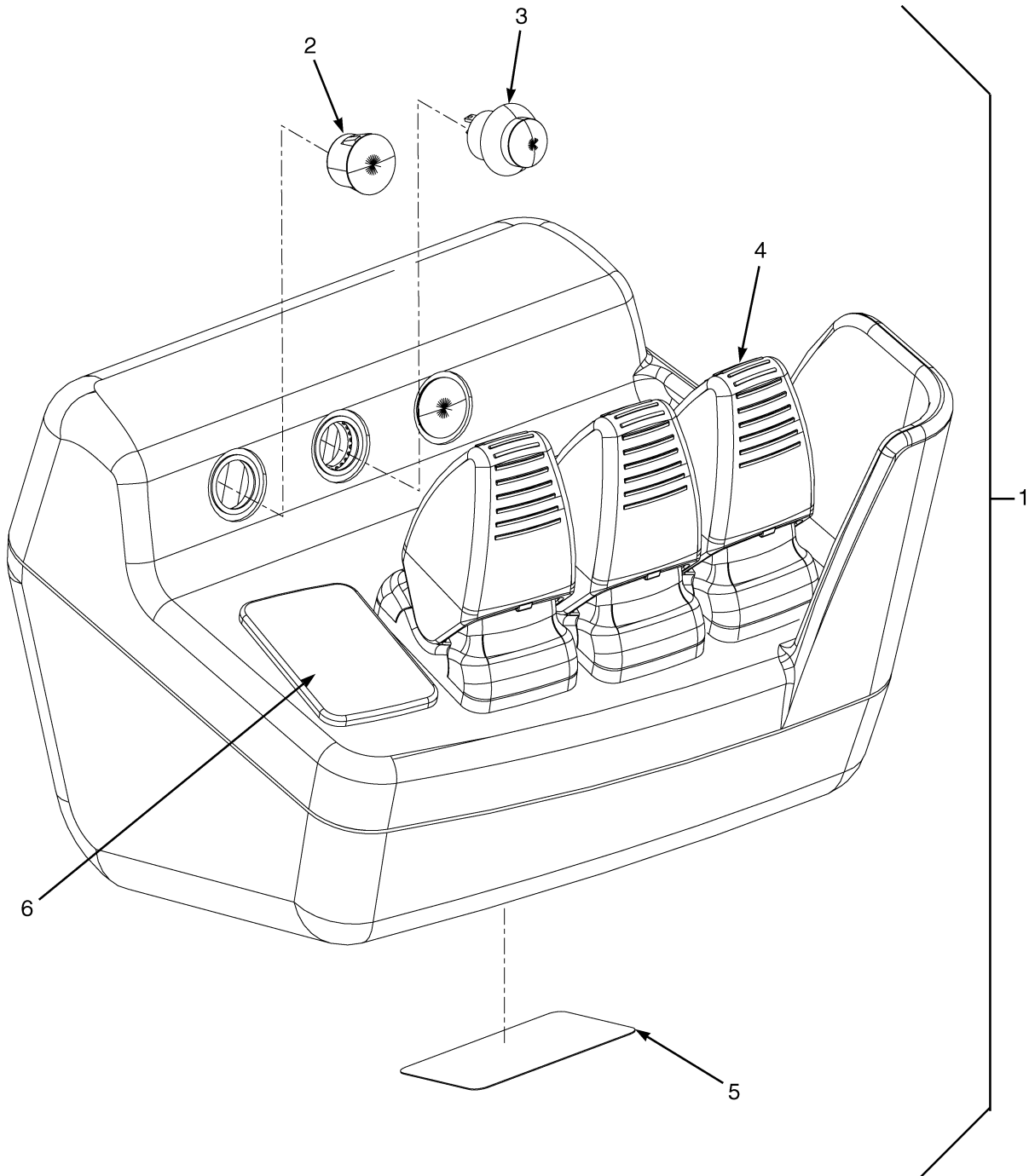
ELECTRONIC CONTROL LEVERS (FIGURE 2-3) MINI-LEVER MODULES — DATE CODE 0724



HP151103

ITEM	PART NO.	DESCRIPTION	QTY
1	2076568	Mini-Lever (Four Function)	1
1	2076570	Mini-Lever (Four Function With Clamping)	1
1	2076567	Mini-Lever (Three Function)	1
1	2076569	Mini-Lever (Three Function With Clamping)	1
1	1555731	Kit-Mini-Lever (Plain Mini-Lever)	1
2	1598223	Kit-Plug (Interlock Switch Plug)	1
2	1598221	Kit-Switch (Interlock Switch)	1
2	1591181	Switch-Momentary	1
3	Labels	AR
4	1579847	Bracket	1
5	1307884	Nut	4
	1514429		

ELECTRONIC CONTROL LEVERS (FIGURE 2-4) MINI-LEVER MODULES (THREE FUNCTION) — DATE CODE 0725 THRU 0743



BP080623

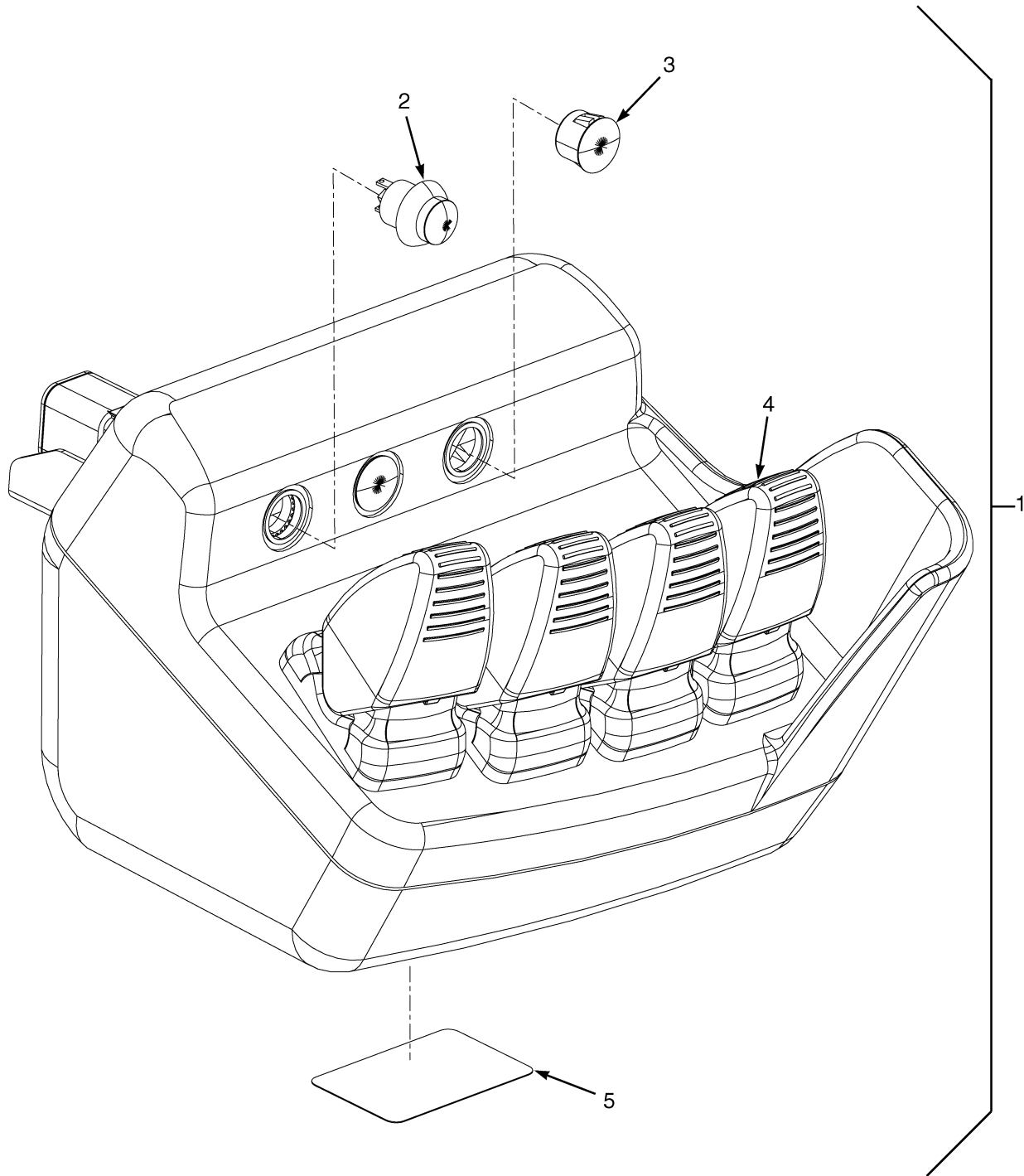
ELECTRONIC CONTROL LEVERS
MINI-LEVER MODULES (THREE FUNCTION) – DATE CODE 0725 THRU 0743

ITEM	PART NO.	DESCRIPTION	QTY
1	2099222	Mini-Lever	1
	b 1598222	Kit-Plug (Mini-Lever Plug)	3
	c 1598223	Kit-Plug (Interlock Switch Plug)	3
1	2099226	Mini-Lever	1
	a 1591185	Kit-Lever (Interlock Mini-Lever)	1
	d 1598221	Kit-Switch (Interlock Switch)	1
	b 1598222	Kit-Plug (Mini-Lever Plug)	1
	c 1598223	Kit-Plug (Interlock Switch Plug)	2
	d 1598221	Kit-Switch (Interlock Switch)	1
2	Plug (Momentary Switch)	AR
3	1591181	Switch-Momentary	AR
4	Mini-Lever	AR
4	1658063	Handle (Mini-Lever)	1
5	Label (Shows Production Part Number)	1
6	1598224	Plug (Mini-Lever)	1
	Control Labels (☞ Figure 1-12).....	1

FOOTNOTES:

- | | |
|--|---|
| <p>a Kit Includes: 1 Interlock Rocker (must be used in combination with a Momentary Interlock Switch), 1 Gasket, 4 Screws (parts are NSS)</p> <p>b Kit Includes: 1 Mini-Lever Plug, 1 Gasket (parts are NSS)</p> | <p>c Kit Includes: 1 Momentary Interlock Switch Plug, 1 Gasket (parts are NSS)</p> <p>d Kit Includes: 1 Momentary Switch, 1 Lockwasher, 1 Gasket, 1 Nut (parts are NSS)</p> |
|--|---|

ELECTRONIC CONTROL LEVERS (FIGURE 2-5) MINI-LEVER MODULES (FOUR FUNCTION) — DATE CODE 0725 THRU 0743



BP080624

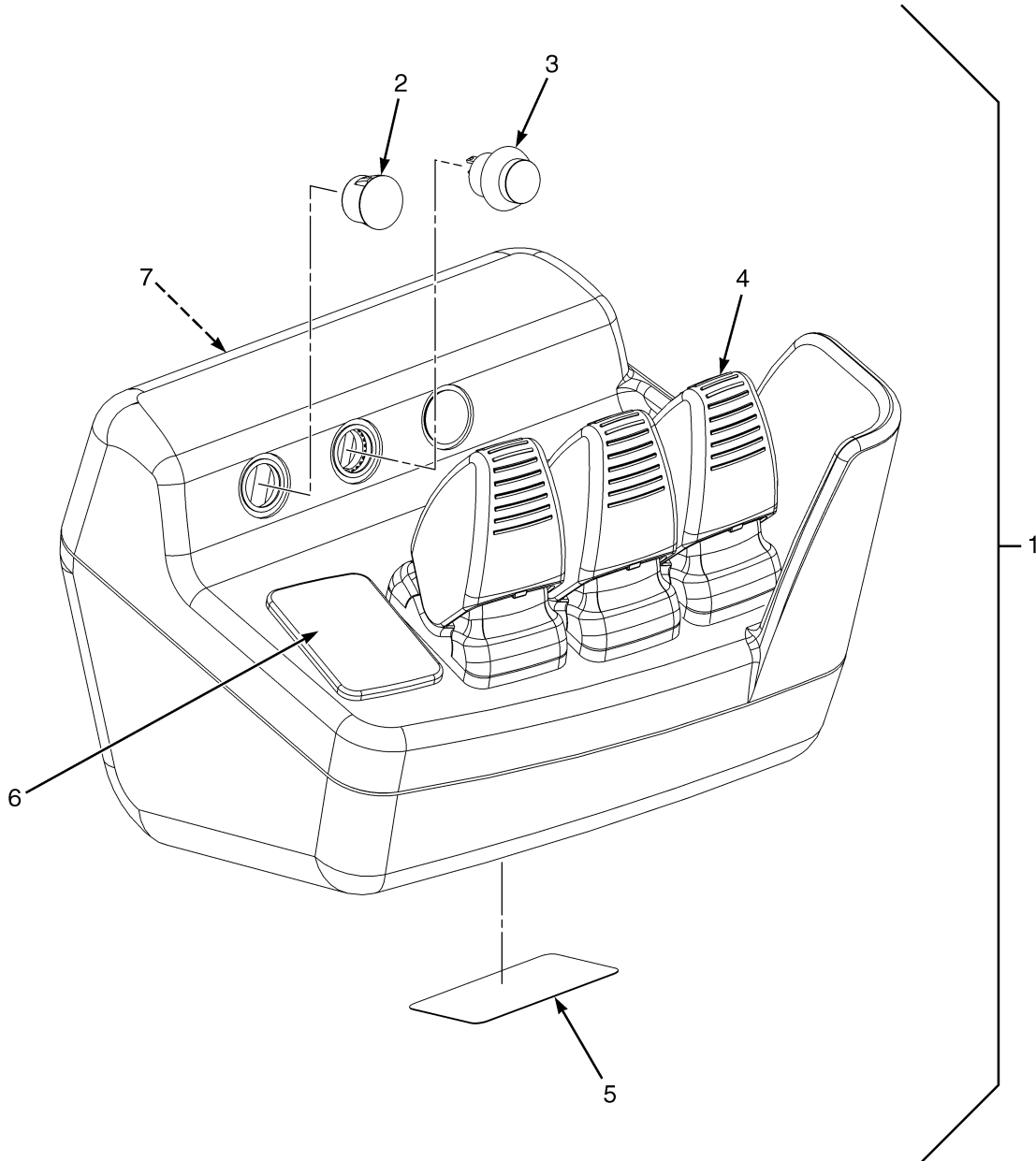
ELECTRONIC CONTROL LEVERS
MINI-LEVER MODULES (FOUR FUNCTION) – DATE CODE 0725 THRU 0743

ITEM	PART NO.	DESCRIPTION	QTY
1	2099223	Mini-Lever (4th function CAN Open)	1
	d 1555731	Kit-Mini-Lever (Plain Mini-Lever)	3
	b 1598223	Kit-Plug (Interlock Switch Plug)	3
1	2099227	Mini-Lever (4th function with clamping)	1
	d 1555731	Kit-Mini-Lever (Plain Mini-Lever)	2
	a 1591185	Kit-Lever (Interlock Mini-Lever)	1
	c 1598221	Kit-Switch (Interlock Switch)	1
	b 1598223	Kit-Plug (Interlock Switch Plug)	2
	d 1555731	Kit-Mini-Lever (Plain Mini-Lever)	2
2	1591181	Switch-Momentary	AR
3	Plug (Momentary Switch)	AR
4	Mini-Lever	AR
4	1658063	Handle (Mini-Lever)	1
5	Label (Shows Production Part Number)	1
	Control Labels (☞ Figure 1-12).....	1

FOOTNOTES:

- a** Kit Includes: 1 Interlock Mini-Lever (must be used in combination with a Momentary Interlock Switch), 1 Gasket, 4 Screws (parts are NSS)
- b** Kit Includes: 1 Momentary Switch Hole Plug, 1 Gasket (parts are NSS)
- c** Kit Includes: 1 Momentary Switch, 1 Lockwasher, 1 Gasket, 1 Nut (parts are NSS)
- d** Kit Includes: 1 Plain Mini-Lever, 1 Gasket, 4 Screws (parts are NSS)

ELECTRONIC CONTROL LEVERS (FIGURE 2-6) MINI-LEVER MODULES (THREE FUNCTION) — DATE CODE 0744



BP150259

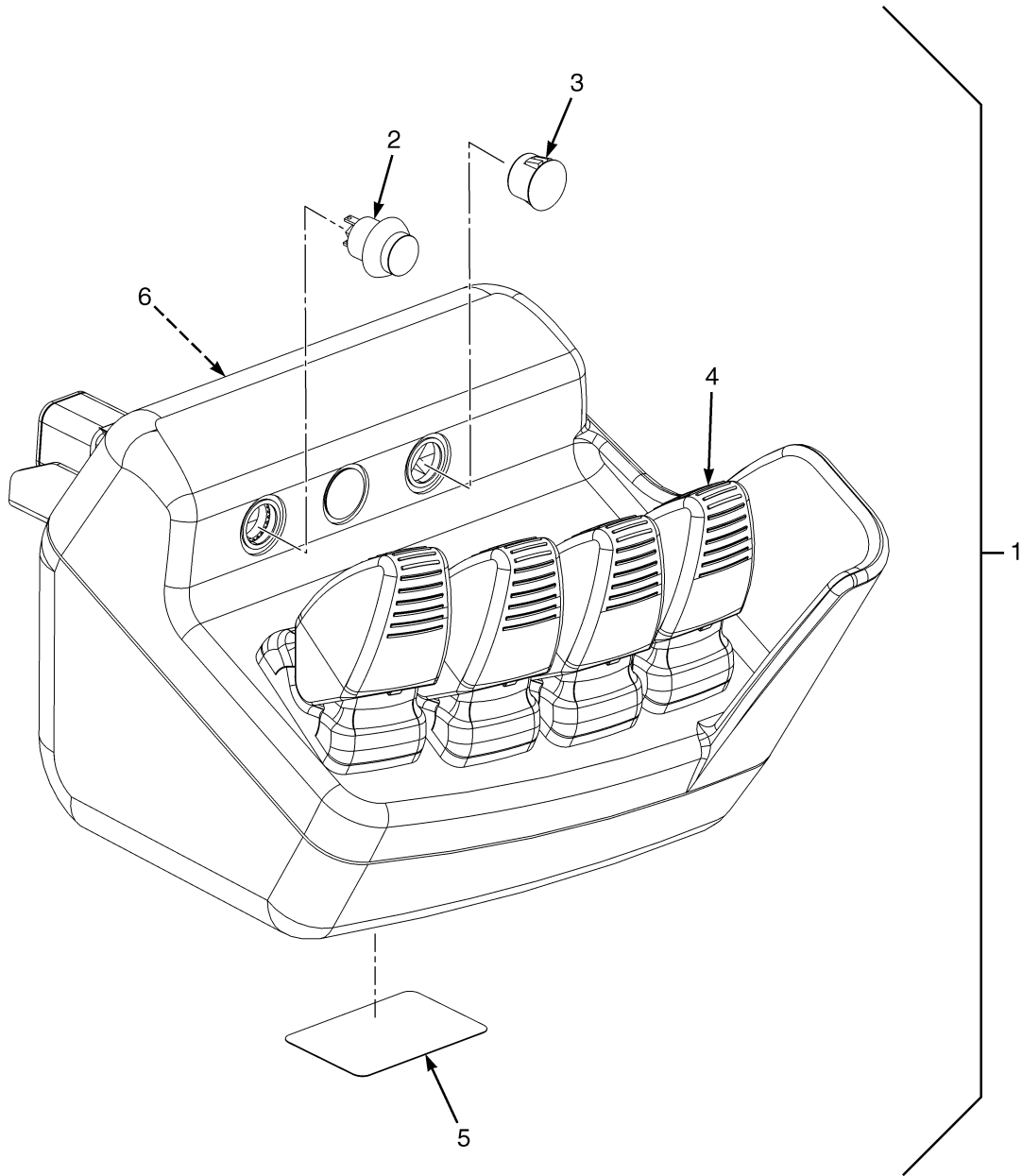
**ELECTRONIC CONTROL LEVERS
MINI-LEVER MODULES (THREE FUNCTION) – DATE CODE 0744**

ITEM	PART NO.	DESCRIPTION	QTY
1	2103847	Mini-Lever	1
	1683379	Kit-Mini-Lever (Non-Clamping)	3
	b 1598223	Kit-Plug (Interlock Switch Plug)	3
1	2105370	Mini-Lever	1
	b 1689455	Kit-Mini-Lever (Non-Clamping)	3
	c 1598223	Kit-Plug (Interlock Switch Plug)	3
	b 1598224	Plug	1
1	2103851	Mini-Lever (With Clamping)	1
	1683379	Kit-Mini-Lever (Non-Clamping)	2
	1683398	Kit-Mini-Lever (Clamping)	2
	d 1598221	Kit-Switch (Interlock Switch)	1
1	2105374	Mini-Lever (With Clamping)	1
	a 1689455	Kit-Mini-Lever (Non-Clamping)	2
	1689460	Kit-Mini-Lever (Clamping)	1
	c 1598223	Kit-Plug (Interlock Switch Plug)	2
	d 1598221	Kit-Switch (Interlock Switch)	1
2	Plug (Momentary Switch)	AR
3	1591181	Switch-Momentary	AR
4	Mini-Lever	AR
4	1658063	Handle (Mini-Lever)	1
5	Label (Shows Production Part Number)	1
6	1598224	Plug (Mini-Lever)	1
7	Control Labels (☞ Figure 1-12).....	1

FOOTNOTES:

- | | |
|--|---|
| <p>a Kit Includes: 1 Interlock Rocker (must be used in combination with a Momentary Interlock Switch), 1 Gasket, 4 Screws (parts are NSS)</p> <p>b Kit Includes: 1 Mini-Lever Plug, 1 Gasket (parts are NSS)</p> | <p>c Kit Includes: 1 Momentary Interlock Switch Plug, 1 Gasket (parts are NSS)</p> <p>d Kit Includes: 1 Momentary Switch, 1 Lockwasher, 1 Gasket, 1 Nut (parts are NSS)</p> |
|--|---|

**ELECTRONIC CONTROL LEVERS (FIGURE 2-7)
MINI-LEVER MODULE (FOUR FUNCTION) — DATE CODE 0744**



BP150258

ELECTRONIC CONTROL LEVERS
MINI-LEVER MODULE (FOUR FUNCTION) – DATE CODE 0744

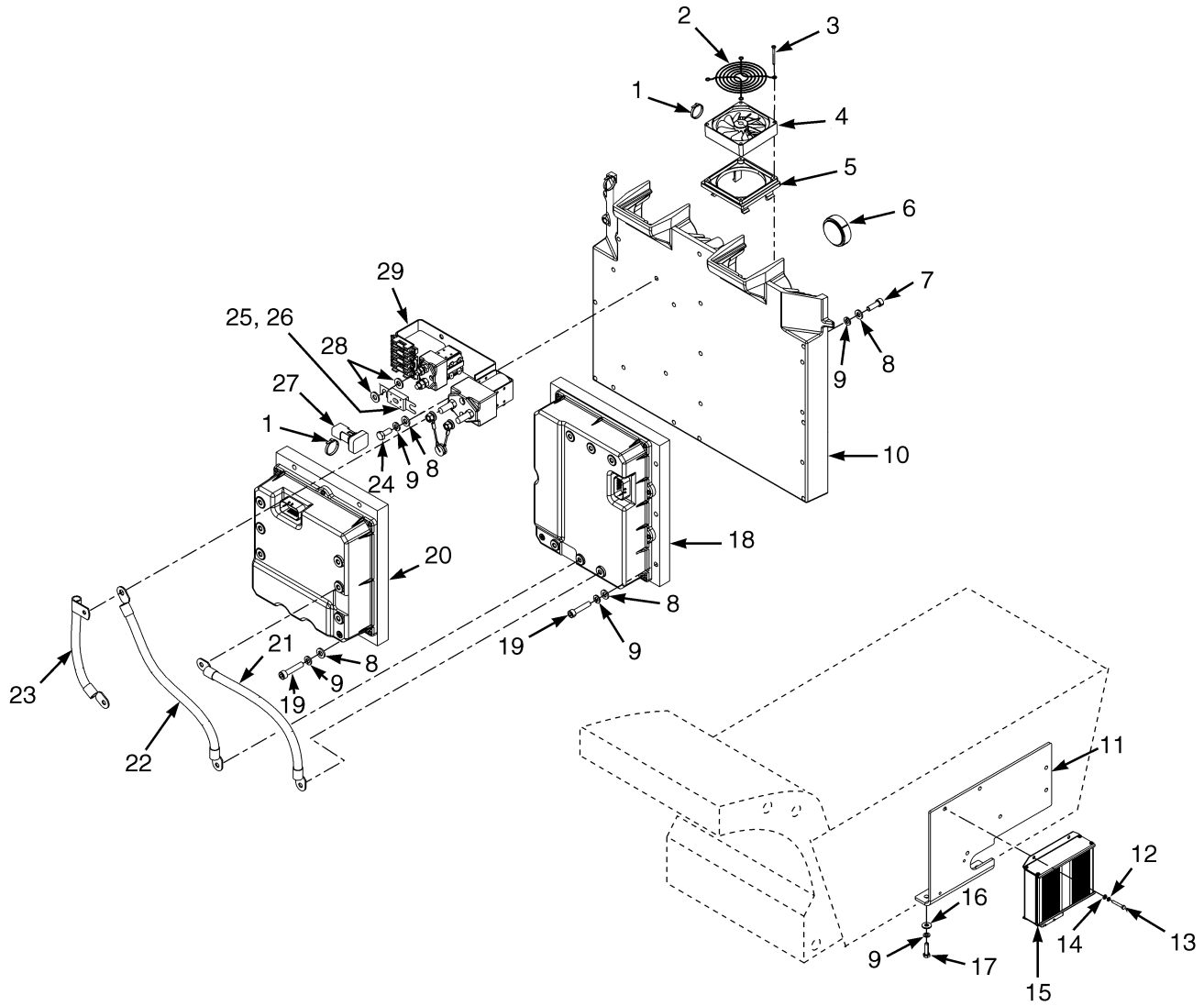
ITEM	PART NO.	DESCRIPTION	QTY
1	2103848	Mini-Lever	1
1	b 1683379	Kit-Mini-Lever (Non-Clamping)	4
	a 1598223	Kit-Plug (Interlock Switch Plug)	3
1	2105371	Mini-Lever	1
	b 1689455	Kit-Mini-Lever (Non-Clamping)	4
	b 1598223	Kit-Plug (Interlock Switch Plug)	3
1	2103852	Mini-Lever (With Clamping)	1
1	b 1683379	Kit-Mini-Lever (Non-Clamping)	3
1	1683398	Kit-Mini-Lever (Clamping)	1
1	a 1598223	Kit-Plug (Interlock Switch Plug)	2
1	1598221	Kit-Switch (Interlock Switch)	1
1	2105375	Mini-Lever (With Clamping)	1
1	b 1689455	Kit-Mini-Lever (Non-Clamping)	3
1	1689460	Kit-Mini-Lever (Clamping)	1
1	1598221	Kit-Switch (Interlock Switch)	1
1	a 1598223	Kit-Plug (Interlock Switch Plug)	2
2	1591181	Switch-Momentary	AR
3	Plug (Momentary Switch)	AR
4	Mini-Lever	AR
4	1658063	Handle (Mini-Lever)	1
5	Label (Shows Production Part Number)	1
6	Control Labels (☞ Figure 1-12).....	1

FOOTNOTES:

a Kit Includes: 1 Momentary Switch Hole Plug, 1 Gasket (parts are NSS)

b Kit Includes: 1 Plain Mini-Lever, 1 Gasket, 4 Screws (parts are NSS)

CONTROL PANEL (FIGURE 2-8) TRACTION CONTROLLER — WITH PUMP CONTROLLER



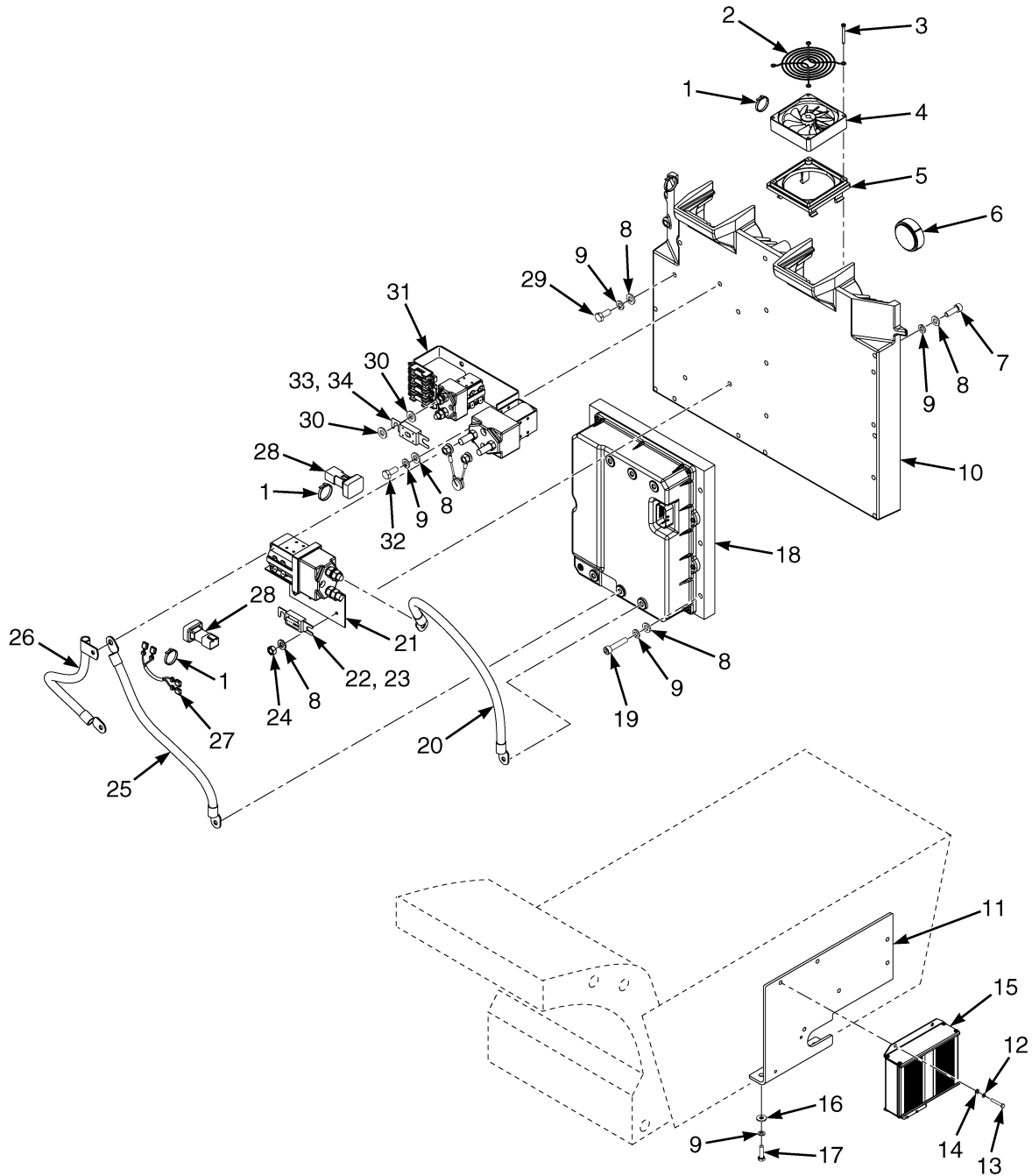
HP081751

CONTROL PANEL
TRACTION CONTROLLER – WITH PUMP CONTROLLER

ITEM	PART NO.	DESCRIPTION	QTY
1	114312	Strap Clamp	4
2	1565693	Guard	1
3	227145	Screw	4
4	1556484	Fan	1
5	1537132	Spacer	1
6	1540667	Plug	2
7	296011	Capscrew	8
8	320157	Washer	20
9	292681	Lockwasher	22
10	1535303	Heatsink	1
11	1643630	Bracket	1
12	292680	Washer	3
13	292500	Capscrew	3
14	136687	Nut	3
15	a 2088902	Controller (Master)	1
15	b 2095551	Controller (Master)	1
15	c 2100181	Controller (Master)	1
15	d 2109393	Controller (Master)	1
	4618137	Controller (Master)	1
16	320158	Washer	2
17	176640	Bolt	2
18	1586786	Controller (Traction)	1
19	296014	Capscrew	10
20	1533592	Controller (Pump)	1
21	1514074	Power Cable	1
22	1563368	Power Cable	1
23	1554510	Power Cable	1
24	136681	Capscrew	2
25	1364262	Fuse (40 Amp)	1
26	1364270	Label (Fuse, 40 Amp)	1
27	1520933	Module	1
28	198956	Washer	2
29	1542433	Control Panel (Line And Power Steering)	1

FOOTNOTES:**a** → S/N F114A01599**b** S/N F114A01600 ↔ S/N F114A02120F**c** S/N F114A02121F ↔ S/N F114A02390G**d** S/N F114B01501G →

CONTROL PANEL (FIGURE 2-9) TRACTION CONTROLLER — WITH CONTACTOR HYDRAULIC



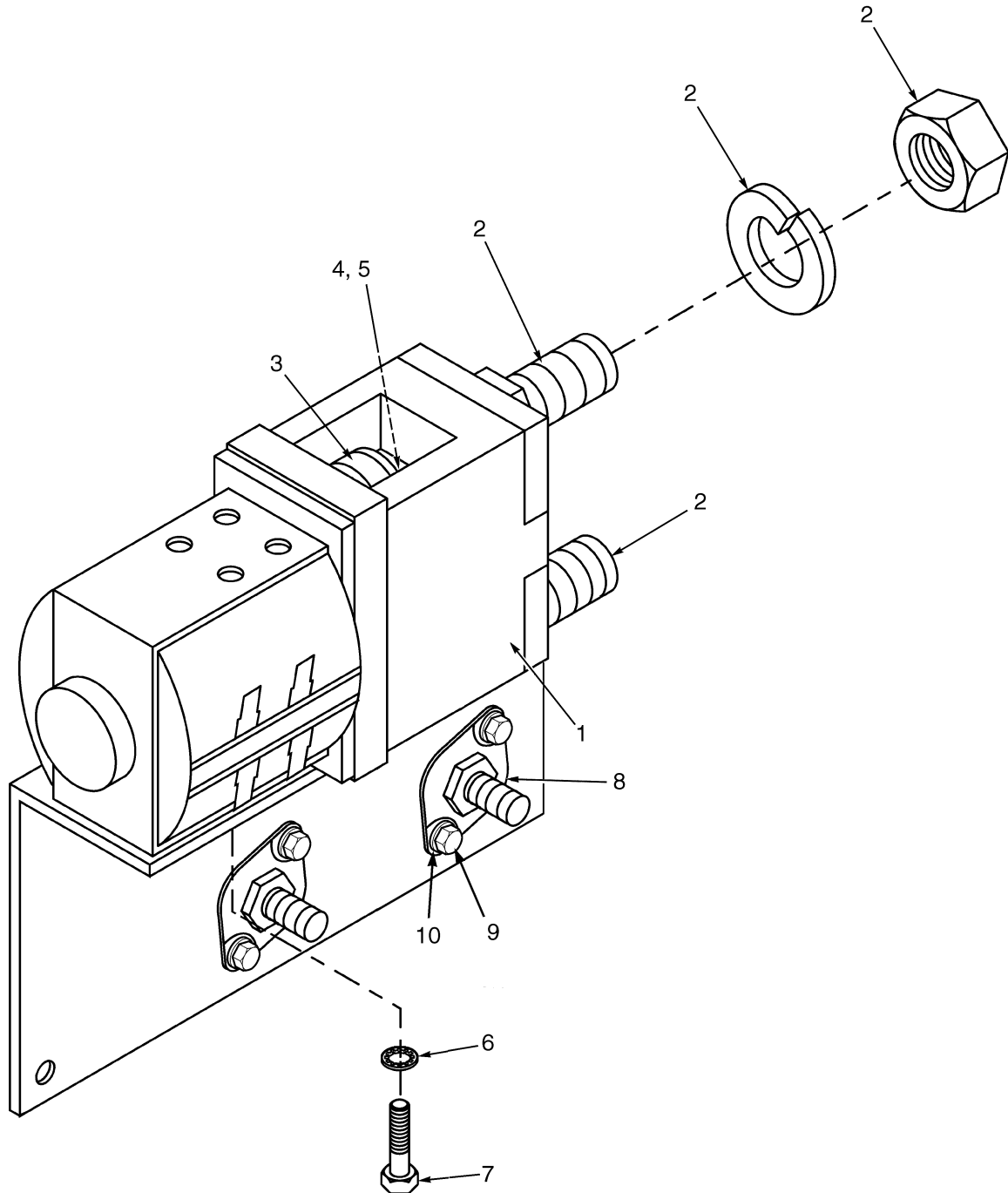
HP081756

CONTROL PANEL
TRACTION CONTROLLER – WITH CONTACTOR HYDRAULIC

ITEM	PART NO.	DESCRIPTION	QTY
1	114312	Strap Clamp	5
2	1565693	Guard	1
3	227145	Screw	4
4	1556484	Fan	1
5	1537132	Spacer	1
6	1540667	Plug	2
7	296011	Capscrew	8
8	320157	Washer	24
9	292681	Lockwasher	24
10	1535303	Heatsink	1
11	1643630	Bracket	1
12	292680	Washer	3
13	292500	Capscrew	3
14	136687	Nut	3
15	a 2095551	Controller (Master)	1
15	b 2100181	Controller (Master)	1
15	c 2109393	Controller (Master)	1
	4618137	Controller (Master)	1
16	320158	Washer	2
17	176640	Bolt	2
18	1586786	Controller (Traction)	1
19	296014	Capscrew	6
20	1514076	Power Cable	1
21	1540668	Control Panel (Contactor Hydraulic)	1
22	325809	Fuse (325 Amp)	1
23	359819	Label (Fuse, 325 Amp)	1
24	239503	Nut	4
25	1563368	Power Cable	1
26	1580889	Power Cable	1
27	2056631	Wire Harness	1
28	1520933	Module	2
29	287851	Capscrew	4
30	198956	Washer	2
31	1542433	Control Panel (Line And Power Steering)	1
32	136681	Capscrew	4
33	1364262	Fuse (40 Amp)	1
34	1364270	Label (Fuse, 40 Amp)	1

FOOTNOTES:**a** → S/N F114A02120F**c** S/N F114B01501G →**b** S/N F114A02121F ↔ S/N F114A02390G

CONTACTOR PANEL (FIGURE 2-10) CONTACTOR HYDRAULIC

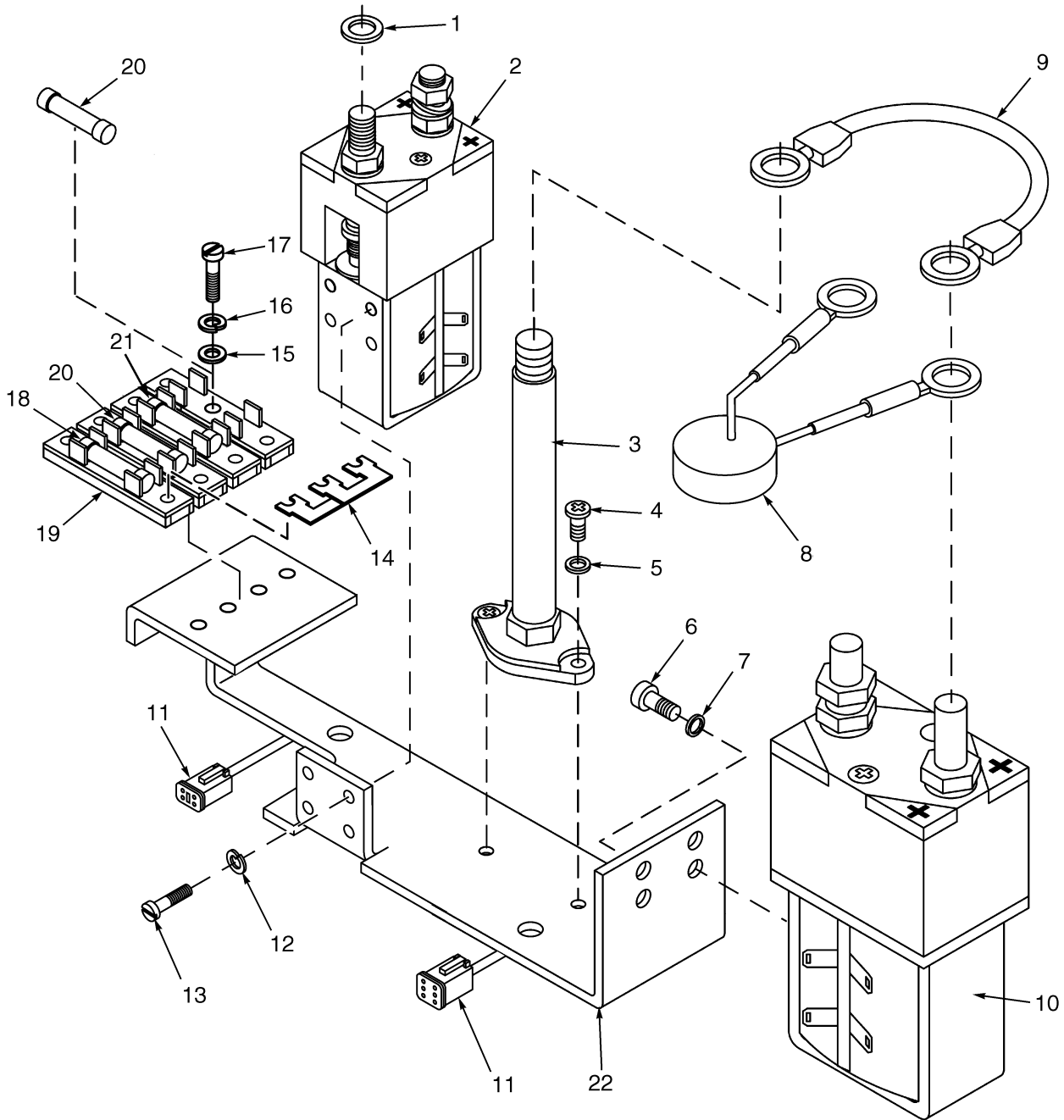


BP080153

**CONTACTOR PANEL
CONTACTOR HYDRAULIC**

ITEM	PART NO.	DESCRIPTION	QTY
	1540668	Control Panel	1
1	1553441	Contactor (Hydraulic)	1
2	2034484	Contact (Fixed)	2
3	2035396	Contact (Moving)	1
4	383979	Plunger	1
5	1500288	Return Spring	1
6	2304170	Washer	2
7	2303821	Screw	2
8	1454478	Terminal Post	1
9	1545111	Washer	2
10	302020	Screw	2
	1600092	Kit-Contactor	1

CONTACTOR PANEL (FIGURE 2-11) LINE AND POWER STEERING

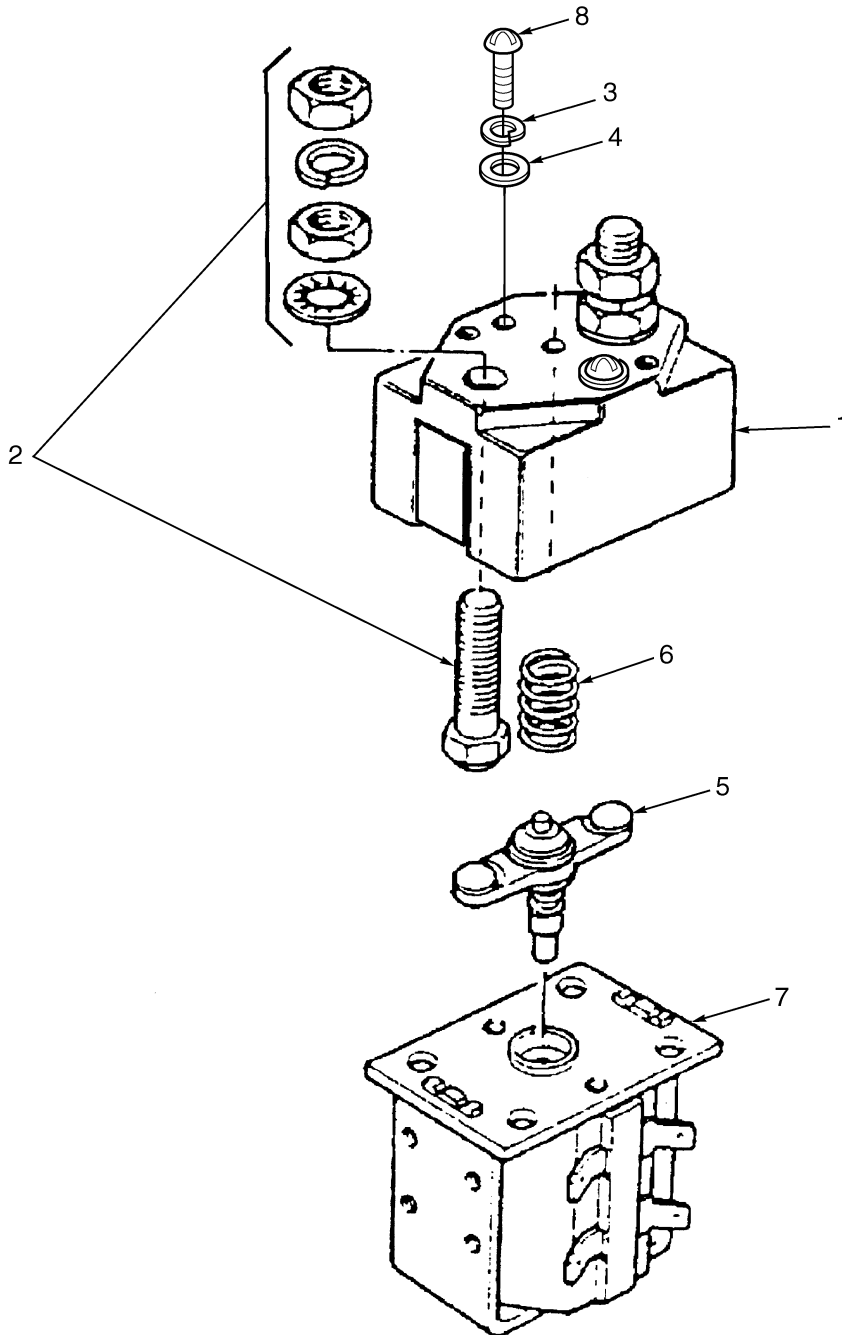


HP081753

**CONTACTOR PANEL
LINE AND POWER STEERING**

ITEM	PART NO.	DESCRIPTION	QTY
	1542433	Control Panel	1
1	1356211	Washer	1
2	1330938	Contacto (Power Steering) (☞Figure 2-13).....	1
3	1528992	Terminal Post	1
4	302020	Screw	2
5	1545111	Washer	2
6	2303821	Screw	2
7	2304170	Washer	2
8	1525921	Thermistor	1
9	1528991	Wire	1
10	1553414	Contacto (Line) (☞Figure 2-12).....	1
11	1553416	Wire Harness	1
12	2303249	Spring Washer	2
13	2303801	Screw	2
14	1553417	Fuse Connector	1
15	2307803	Washer	4
16	1356209	Washer	4
17	2302461	Screw	4
18	350996	Fuse (5 Amp)	1
19	1356217	Fuse Block (2-Way)	2
20	314878	Fuse (15 Amp)	2
21	338075	Fuse (20 Amp Slow Blow)	1
22	Base (Not Serviced Separately)	1

CONTACTOR (FIGURE 2-12) LINE



BP080143

**CONTACTOR
LINE**

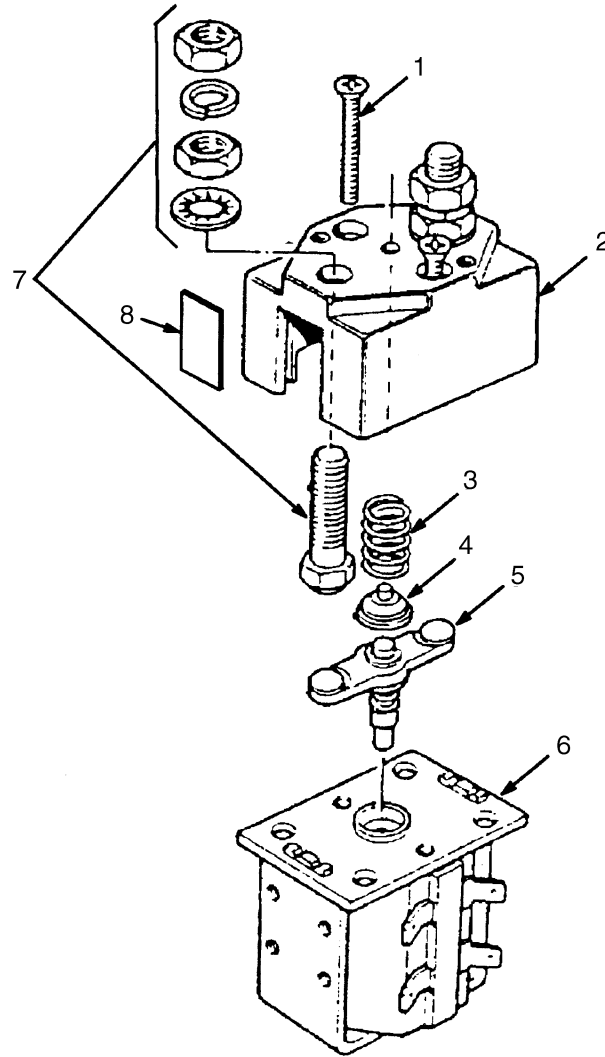
ITEM	PART NO.	DESCRIPTION	QTY
	a 1553414	Contactors	1
	b 1528967	Contactors	1
1	383978	Cover	2
2	a 1553429	Contact (Fixed)	2
3	275672	Washer	2
4	2304572	Washer	2
5	1532765	Contact	1
6	1495699	Spring	1
7	1553427	Coil	1
8	302040	Screw	2
	c 1454122	End Cap	1
	1553428	Kit-Contactors	1

FOOTNOTES:

a 36/48 Volt
b 80 Volt

c Not Illustrated

CONTACTOR (FIGURE 2-13) POWER STEERING

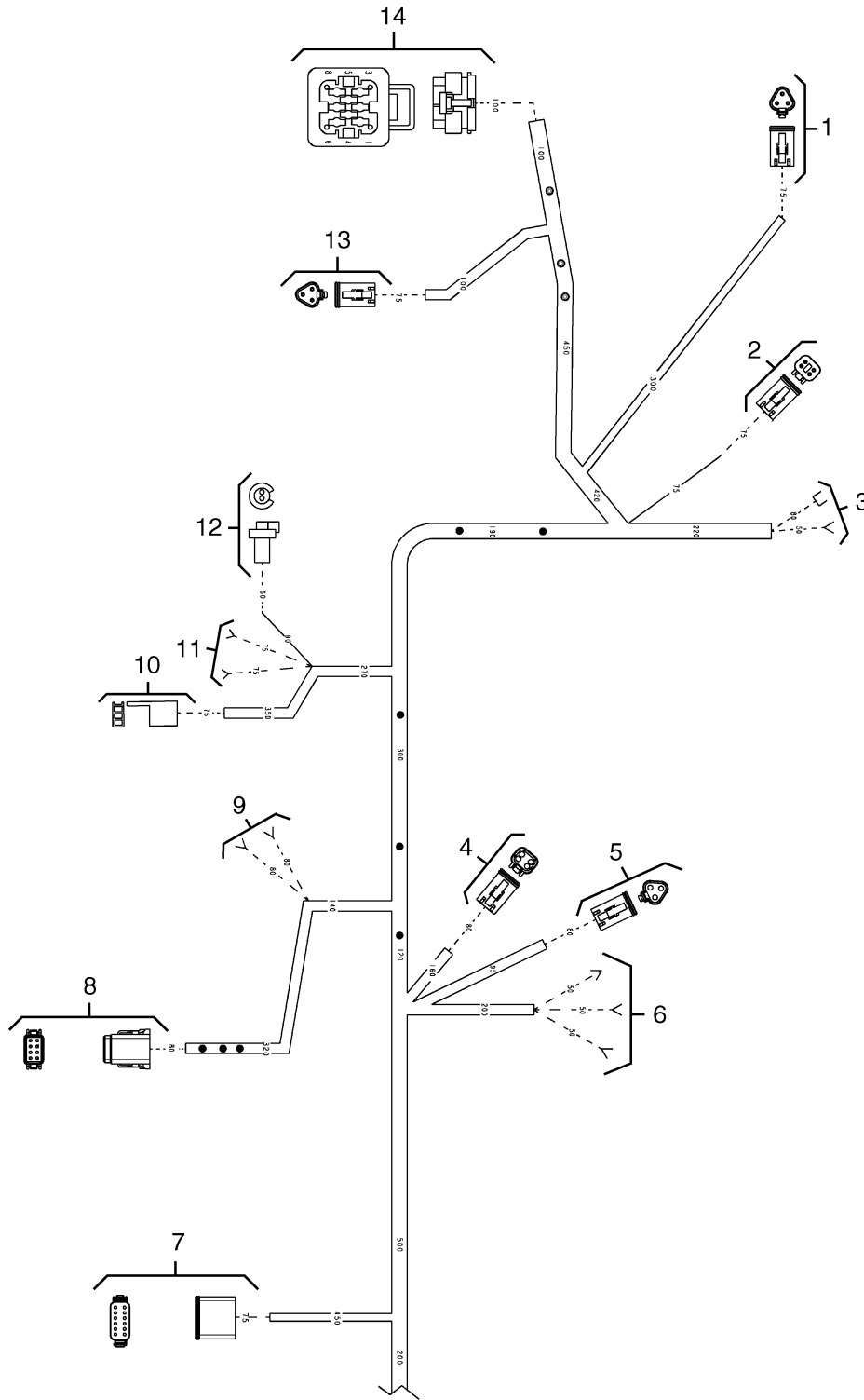


HP081755

**CONTACTOR
POWER STEERING****KEY:****A: 36/48 Volt****B: 80 Volt**

ITEM	PART NO.	DESCRIPTION	QTY	
			A	B
	1330938	Contact (36/48 Volt)	1	..
	1345956	Contact (Steering) (80 Volt)	1
1	379522	Screw	2	1
2	384398	Cover (Top)	1	1
3	1345909	Return Spring	1	..
3	1335615	Return Spring	1
4	379524	Insulator	1	1
5	383984	Contact (Moving)	1	1
6	1335620	Coil and Frame	1	..
6	1335614	Coil and Frame	1
7	378547	Contact (Fixed)	1	1
8	1345915	Dust Shield	1
	1345908	Kit-Contact	1	1

WIRE HARNESS (FIGURE 2-14)
MAIN CONTROL — SHEET 1 OF 2 (→ S/N F114A02390G)



HP081713

WIRE HARNESS
MAIN CONTROL – SHEET 1 OF 2 (→ S/N F114A02390G)

ITEM	PART NO.	DESCRIPTION	QTY
	2083363	Wire Harness (Main Control)	1
1	Connector Assembly (Steering Sensor)	1
1	1330438	Terminal (Socket)	3
1	1330420	Connector	1
1	1330426	Connector	1
2	Connector Assembly (Dash Connector)	1
2	1330438	Terminal (Socket)	4
2	1330421	Connector (4 Soc)	1
2	1330427	Connector (Secondary Lock)	1
3	Connector Assembly (Accelerator Start Switch)	1
3	2007554	E-Spade	1
3	248196	Terminal	1
4	Connector Assembly (Hoist and Tilt Switch)	1
4	1330438	Terminal (Socket)	4
4	1330421	Connector (4 Soc)	1
4	1330427	Connector (Secondary Lock)	1
5	Connector Assembly (Accelerator Potentiometer)	1
5	1330438	Terminal (Socket)	3
5	1330420	Connector	1
5	1330426	Connector	1
6	Connector Assembly (Forward and Reverse Switch)	1
6	1306271	Terminal	1
6	1306270	Terminal	2
7	Connector Assembly (Electronic Hydraulics Controller)	1
7	1484377	Plug	3
7	1463139	Terminal	8
7	1525567	Connector	1
7	1529046	Connector	1
8	Connector Assembly (Seat Harness)	1
8	1484377	Plug	1
8	1463139	Terminal	7
8	1541991	Connector	1
8	1541992	Connector	1
9	Terminal Strip	1
9	248196	Terminal	2
10	Connector Assembly (Park Brake Switch)	1
10	1498185	Connector	1
10	1352564	Terminal	2
11	Connector Assembly (Horn)	1
11	248196	Terminal	2
12	Connector Assembly (Brake Fluid Switch)	1
12	2045134	Connector	2
12	1351070	Connector Body	1
13	Connector Assembly	1
13	1330438	Terminal (Socket)	3
13	1330420	Connector	1
13	1532664	Connector	1
14	Connector Assembly (Dash)	1
14	1564049		
	2035276	Connector (Socket Female)	6

WIRE HARNESS
MAIN CONTROL – SHEET 1 OF 2 (→ S/N F114A02390G)

ITEM	PART NO.	DESCRIPTION	QTY
14	2046547	Connector	1

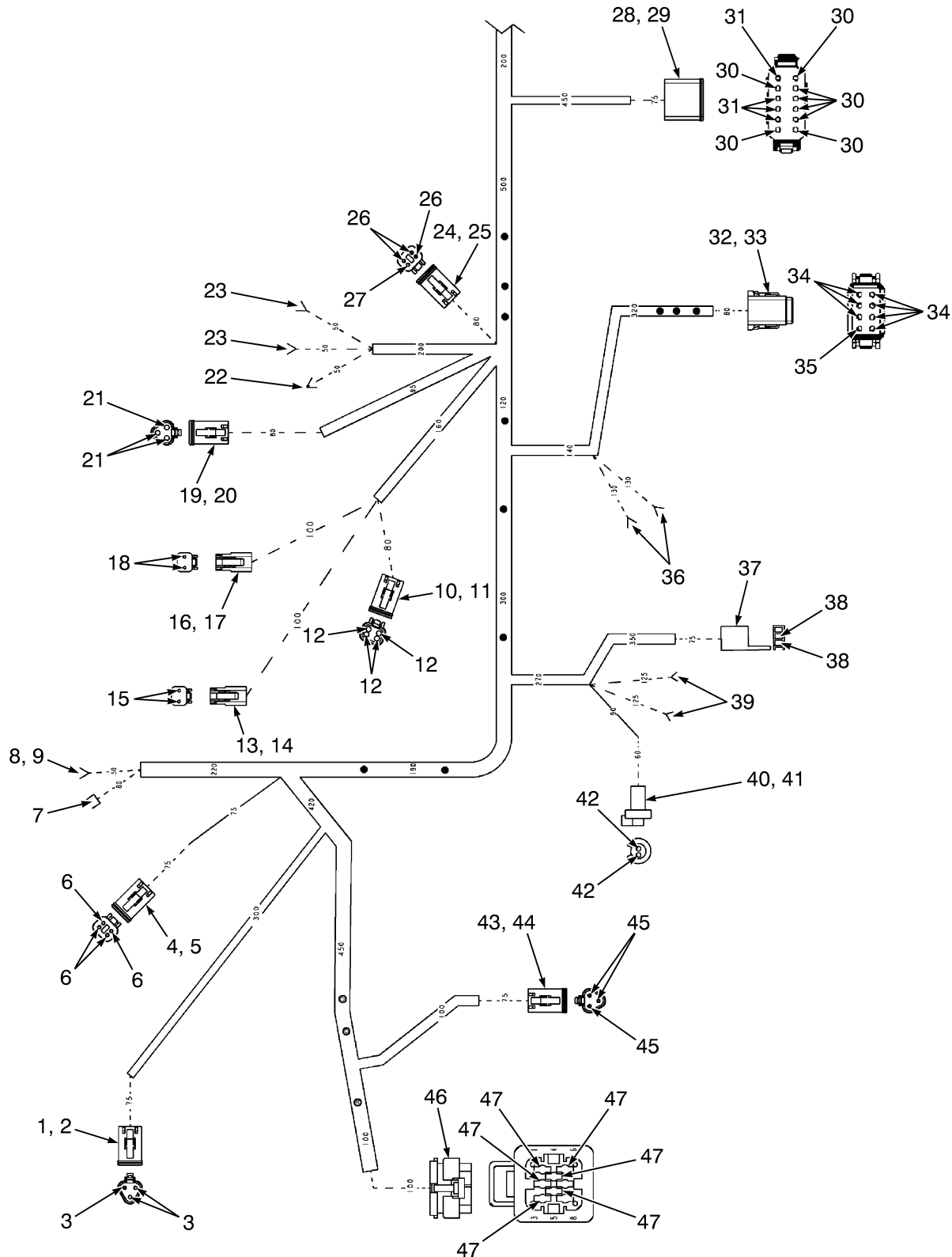
WIRE HARNESS
MAIN CONTROL – SHEET 2 OF 2 (→ S/N F114A02390G)

ITEM	PART NO.	DESCRIPTION	QTY
	2083363	Wire Harness (Main Control)	1
1	Connector Assembly (DC Pump Motor - BWI)	1
1	248196	Terminal	2
2	Connector Assembly (DC Pump Motor - Temperature)	2
2	248196	Terminal	2
3	Connector Assembly (Pump Bearing Sensor)	1
3	1508232	Terminal (Pin)	4
3	1508211	Connector (4 Way)	1
4	Connector Assembly (Pump Temperature)	1
4	1508232	Terminal (Pin)	2
4	1508232	Terminal (Pin)	1
5	Connector Assembly (Traction Bearing Sensor)	1
5	1508232	Terminal (Pin)	4
5	1508211	Connector (4 Way)	1
6	Connector Assembly (Traction Temperature)	1
6	1508232	Terminal (Pin)	2
6	1508206	Connector (2 Way)	1
7	Connector Assembly (Power Steering Motor)	1
7	129888	E-Ring	2
7	1330438	Terminal (Socket)	2
7	1330419	Connector	1
7	1330424	Connector (Secondary Lock)	1
8	Connector Assembly (Main Accessory Harness)	1
8	1330420	Connector	4
8	1330421	Connector (4 Soc)	1
8	1330427	Connector (Secondary Lock)	1
9	Connector Assembly (Fan)	1
9	1330420	Connector	4
9	1330419	Connector	2
9	1330424	Connector (Secondary Lock)	2
10	Connector Assembly (Pump Controller)	1
10	2035275	Connector	1
10	4564049	Connector (Socket Female)	10
11	Connector Assembly (DC Pump Contactor)	1
11	1525920	E-Ring	1
11	1306271	Terminal	2
12	Connector Assembly (Contactor Panel)	1
12	1330412	Connector	1
12	1330417	Connector	1
12	1330439	Plug	1
12	1330437	Terminal (Pin)	5
13	148611	E-Ring (Power Steering Contactor)	1
14	Connector Assembly (Negative Stud Traction Controller)	1
14	148611	E-Ring	1
14	148606	E-Ring	1
15	Connector Assembly (Traction Controller)	1
15	4564049	Connector (Socket Female)	13
15	2035276	Connector	1

WIRE HARNESS
MAIN CONTROL – SHEET 2 OF 2 (→ S/N F114A02390G)

ITEM	PART NO.	DESCRIPTION	QTY
16	Connector Assembly (Vehicle Master Control)	1
16	1508212	Connector	1
16	1508240	Terminal	25
16	2041472	Contact	5

WIRE HARNESS-MAIN CONTROL (FIGURE 2-16) WITH OPERATOR PRESENCE SYSTEM — SHEET 1 OF 2 (S/N F114B01501G →)



BP080829

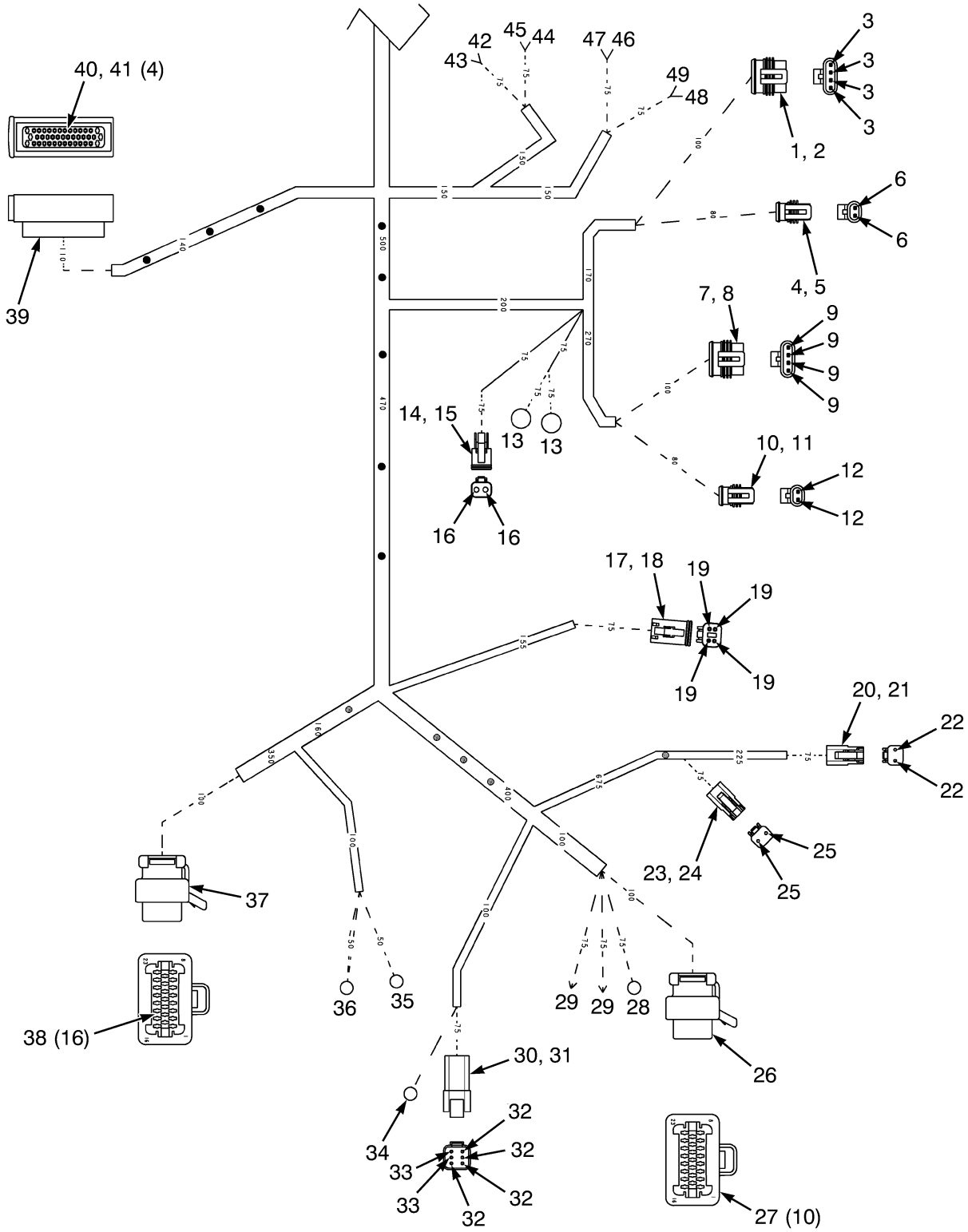
WIRE HARNESS-MAIN CONTROL
WITH OPERATOR PRESENCE SYSTEM – SHEET 1 OF 2 (S/N F114B01501G →)

ITEM	PART NO.	DESCRIPTION	QTY
	2095345	Wire Harness	1
1	Connector Assembly (To Power Steering Sensor)	1
1	1330420	Connector	1
2	1330426	Connector (Secondary Lock)	1
3	1330438	Terminal (Socket)	3
4	Connector Assembly (To Dash Connector)	1
4	1330421	Connector (4 Soc)	1
5	1330427	Connector (Secondary Lock)	1
6	1330438	Terminal (Socket)	4
7	2007554	E-Spade (To Accelerator Start Switch)	1
8	248196	Terminal	1
9	222523	Heat Shrink	1
10	Connector Assembly (To Accelerator Start Switch)	1
10	1330421	Connector (4 Soc)	1
11	1330427	Connector (Secondary Lock)	1
12	1330438	Terminal (Socket)	4
13	Connector Assembly (To Operator Presence System)	1
13	1330419	Connector	1
14	1330424	Connector (Secondary Lock)	1
15	1330438	Terminal (Socket)	2
16	Connector Assembly (To Operator Presence)	1
16	1330419	Connector	1
17	1330424	Connector (Secondary Lock)	1
18	1306270	Terminal	3
19	Connector Assembly (To Accelerator)	1
19	1330420	Connector	1
20	1330426	Connector (Secondary Lock)	1
21	1330438	Terminal (Socket)	3
22	1306271	Terminal	1
23	1306270	Terminal	2
24	Connector Assembly (To Suppression Module)	1
24	1330421	Connector (4 Soc)	1
25	1330427	Connector (Secondary Lock)	1
26	1330438	Terminal (Socket)	3
27	1330439	Plug	1
28	Connector Assembly (To Electro-Hydraulics Controller)	1
28	1525567	Connector	1
29	1529046	Connector	1
30	1463139	Terminal	7
31	1484377	Plug	3
32	Connector Assembly (To Seat Harness)	1
32	1541991	Connector	1
33	1541992	Connector (Secondary Lock)	1
34	1463139	Terminal	7
35	1484377	Plug	1
36	248196	Terminal (To Terminal Strip)	2
37	Connector Assembly (To Park Brake Switch)	1
37	1498185	Connector	1
38	1352564	Terminal	2
39	248196	Terminal (To Horn)	2

WIRE HARNESS-MAIN CONTROL
WITH OPERATOR PRESENCE SYSTEM – SHEET 1 OF 2 (S/N F114B01501G →)

ITEM	PART NO.	DESCRIPTION	QTY
40	Connector Assembly (To Brake Fluid Switch)	1
40	1351070	Connector Body	1
41	1351076	Seal	1
42	2045134	Connector	2
43	Connector Assembly (To Diagnostic Controller)	1
43	1330420	Connector	1
44	1532664	Connector	1
45	1330438	Terminal (Socket)	3
46	Connector Assembly (To Display Connector)	1
46	2046547	Connector	1
47	1484377	Plug	6

**WIRE HARNESS-MAIN CONTROL (FIGURE 2-17)
WITH OPERATOR PRESENCE SYSTEM — SHEET 2 OF 2 (S/N F114B01501G →)**



HP081714

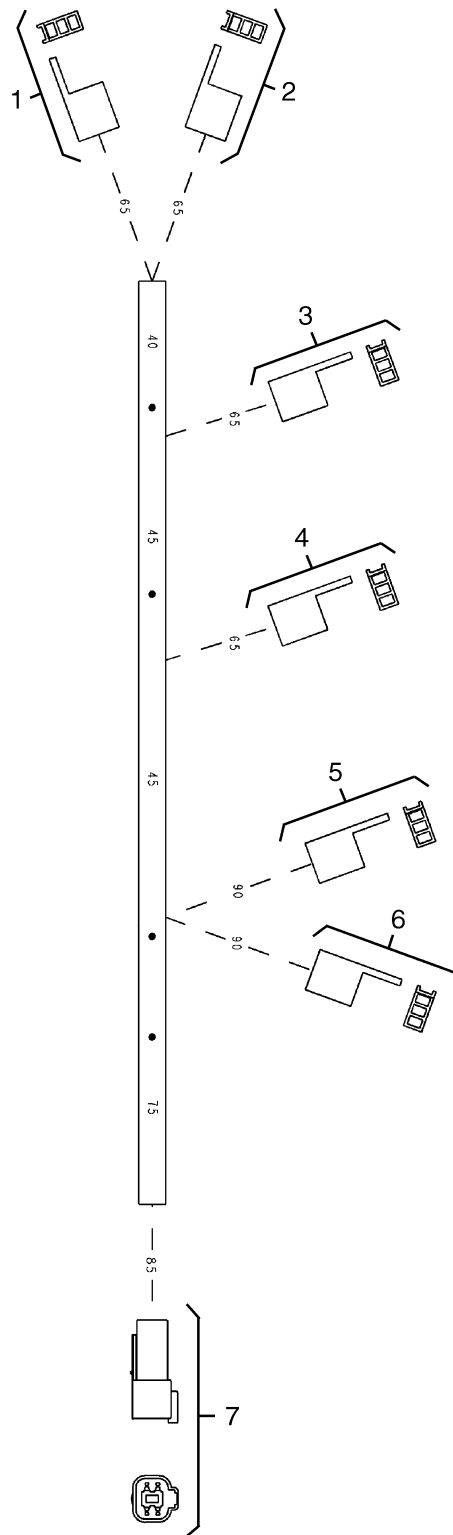
WIRE HARNESS-MAIN CONTROL
WITH OPERATOR PRESENCE SYSTEM – SHEET 2 OF 2 (S/N F114B01501G →)

ITEM	PART NO.	DESCRIPTION	QTY
	2095345	Wire Harness	1
1	Connector Assembly (To Pump Bearing Sensor)	1
1	1508211	Connector (4 Way)	1
2	1508233	Wire Seal	1
3	1508232	Terminal (Pin)	4
4	Connector Assembly (To Pump Temp.)	1
4	1508206	Connector (2 Way)	1
5	1508233	Wire Seal	1
6	1330421	Connector (4 Soc)	2
7	Connector Assembly (To Traction Bearing Sensor)	1
7	1508211	Connector (4 Way)	1
8	1508233	Wire Seal	1
9	1508232	Terminal (Pin)	4
10	Connector Assembly (To Traction Temp.)	1
10	1508206	Connector (2 Way)	1
11	1508233	Wire Seal	1
12	1508232	Terminal (Pin)	1
13	129888	E-Ring (To Power Steering Motor)	1
14	Connector Assembly (To Power Steering Motor)	1
14	1330419	Connector	1
15	1330424	Connector (Secondary Lock)	1
16	1330438	Terminal (Socket)	2
17	Connector Assembly (To Main Accessory Harness)	1
17	1330421	Connector (4 Soc)	1
18	1330427	Connector (Secondary Lock)	1
19	1330438	Terminal (Socket)	4
20	Connector Assembly (To Fan)	1
20	1330419	Connector	1
21	1330424	Connector (Secondary Lock)	1
22	1330438	Terminal (Socket)	2
23	Connector Assembly	1
23	1351076	Seal	1
24	1330424	Connector (Secondary Lock)	1
25	1330438	Terminal (Socket)	2
26	Connector Assembly (To Pump Controller)	1
26	2035275	Connector	1
27	4564049	
	2035276	Connector (Socket Female)	1
28	1463139	Terminal	1
29	1330412	Connector (To DC Pump Contactor)	2
30	Connector Assembly (To Contactor Panel)	1
30	1330412	Connector	1
31	1330417	Connector	1
32	1330437	Terminal (Pin)	4
33	1330439	Plug	2
34	148611	E-Ring (Power Steer Contactor)	1
35	148611	E-Ring (Negative Stud Traction Controller)	1
36	148611	E-Ring	1
37	Connector Assembly (To Traction Controller)	1
37	1508212	Connector	1

WIRE HARNESS-MAIN CONTROL
WITH OPERATOR PRESENCE SYSTEM – SHEET 2 OF 2 (S/N F114B01501G →)

ITEM	PART NO.	DESCRIPTION	QTY
38	1561019		
	2035276	Connector (Socket Female)	16
39	Connector Assembly (To Vehicle Master Control)	1
40	1508240	Terminal	1
41	2041472	Contact	1
42	248196	Terminal (To DC Pump)	1
43	222523	Heat Shrink	1
44	248196	Terminal	1
45	222523	Heat Shrink	1
46	248196	Terminal (To DC Pump Temp.)	1
47	222523	Heat Shrink	1
48	248196	Terminal	1
49	222523	Heat Shrink	1

WIRE HARNESS (FIGURE 2-18) CONTROL VALVE SWITCH

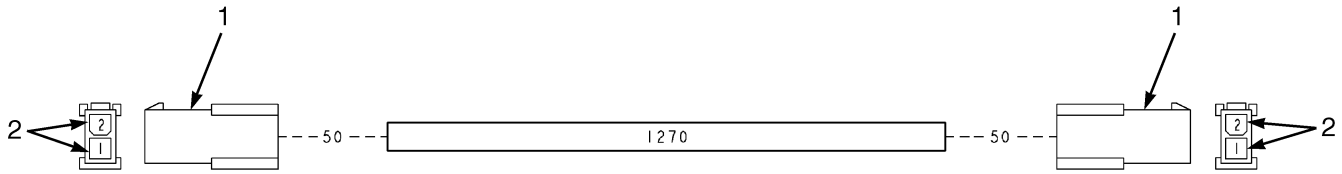


HP081725

**WIRE HARNESS
CONTROL VALVE SWITCH**

ITEM	PART NO.	DESCRIPTION	QTY
	2046671	Wire Harness (Control Valve Switch)	1
1	Connector Assembly (Fourth Function, Medium)	1
1	1352564	Terminal	2
1	1498185	Connector	1
2	Connector Assembly (Fourth Function, Low)	1
2	1352564	Terminal	2
2	1498185	Connector	1
3	Connector Assembly (Third Function)	1
3	1352564	Terminal	2
3	1498185	Connector	1
4	Connector Assembly (Tilt)	1
4	1352564	Terminal	2
4	1498185	Connector	1
5	Connector Assembly (Hoist, High)	1
5	1352564	Terminal	2
5	1498185	Connector	1
6	Connector Assembly (Hoise, Low)	1
6	1352564	Terminal	2
6	1498185	Connector	1
7	Connector Assembly (Pump)	1
7	1330437	Terminal (Pin)	4
7	1330411	Connector	1
7	1330416	Connector	1

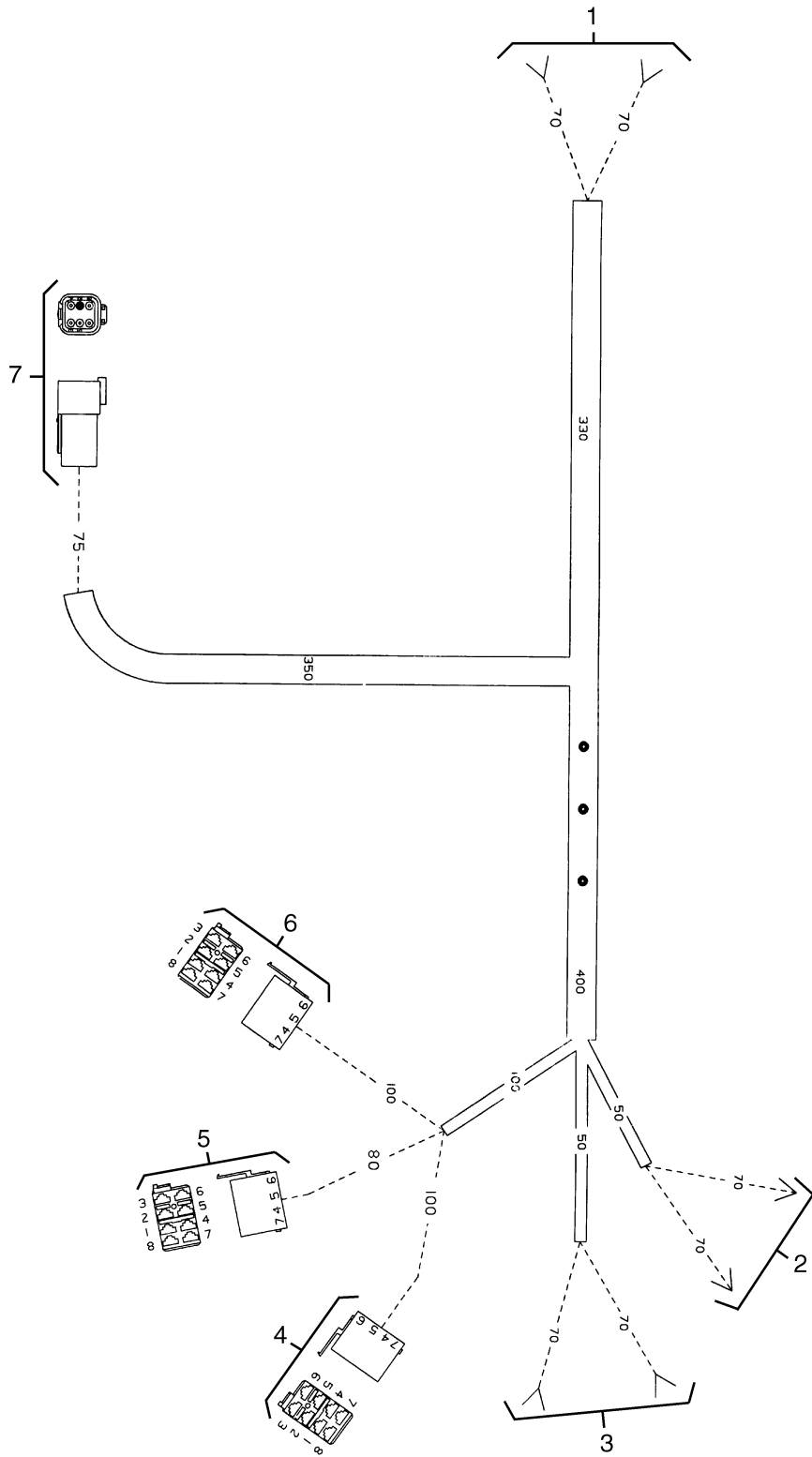
WIRE HARNESS (FIGURE 2-19) REAR LIGHTS



YP000216

ITEM	PART NO.	DESCRIPTION	QTY
	2067321	Wire Harness (Rear Work Light)	1
1	2033695	Connector	2
1	2302852	Pin	4

**WIRE HARNESS (FIGURE 2-20)
LIGHT SWITCHES**



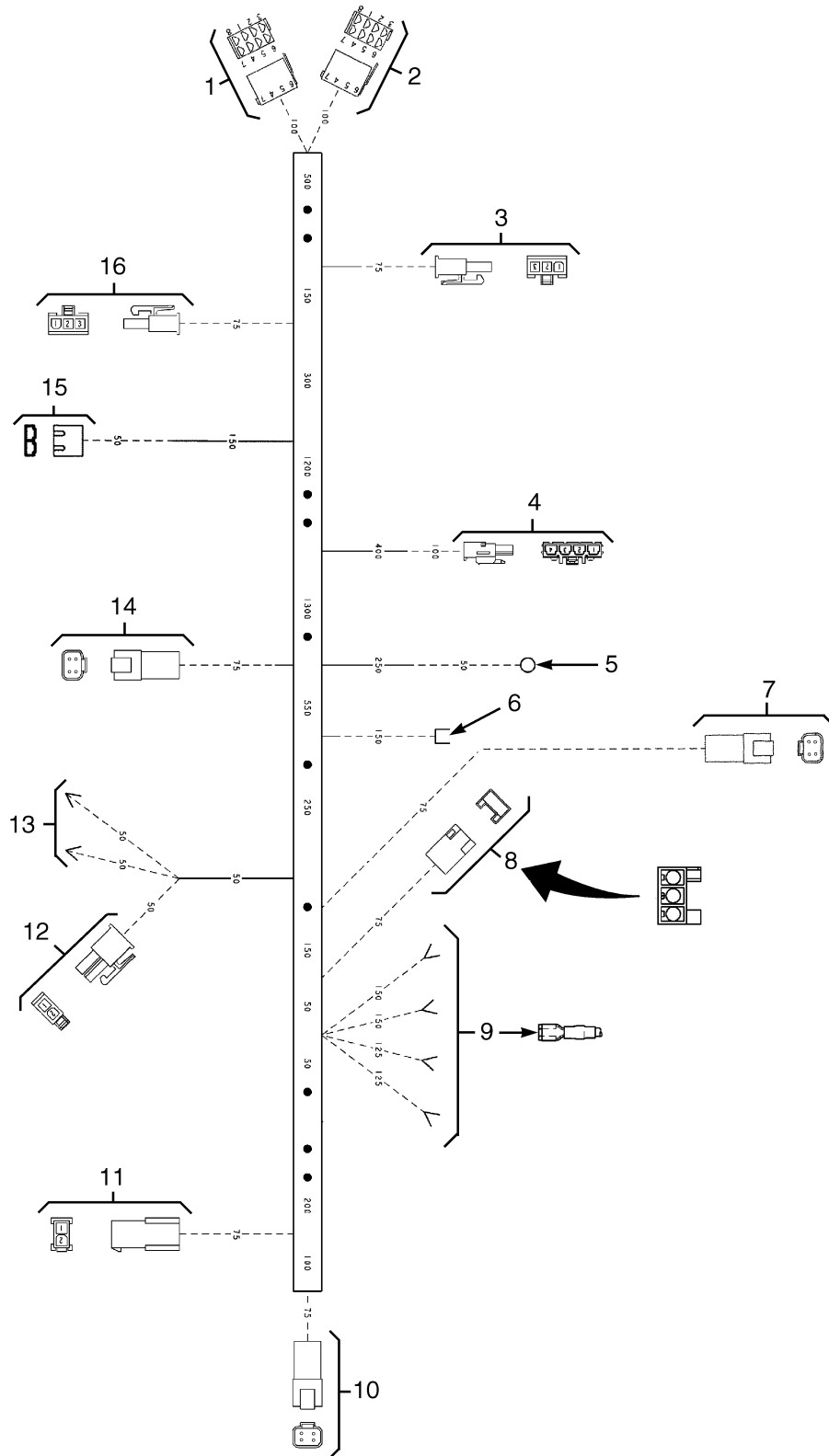
HP081724

**WIRE HARNESS
LIGHT SWITCHES**

ITEM	PART NO.	DESCRIPTION	QTY
	1380550	Wire Harness	1
1	Connector Assembly (Headlight)	1
1	1306270	Terminal	1
1	1310142	Terminal	1
2	Connector Assembly (Spotlight)	1
2	1310143	Terminal	2
3	Connector Assembly (Headlight)	1
3	1306270	Terminal	1
3	1310142	Terminal	1
4	Connector Assembly (Strobe Light Switch)	1
4	1484564		
	1382308	Socket	1
4	1331233	Terminal	1
4	233141	Terminal	1
5	Connector Assembly (Rear Drive Light Switch)	1
5	1484564		
	1382308	Socket	1
5	1331233	Terminal	1
6	Connector Assembly (Headlight/Tail Light Switch)	1
6	1331233	Terminal	1
6	1331233	Terminal	1
6	233141	Terminal	1
6	233141	Terminal	2
7	Connector Assembly (To Rear Chassis Accessory Harness)	1
7	1330437	Terminal (Pin)	5
7	1330412	Connector	1
7	1330417	Connector	1
7	1330439	Plug	1
	a 1382302	Switch (Headlights)	1
	a 1382303	Switch (Rear Driving Light)	1

FOOTNOTES:**a** Not Illustrated

WIRE HARNESS (FIGURE 2-21) LIGHTS (→ S/N F114A02392F)

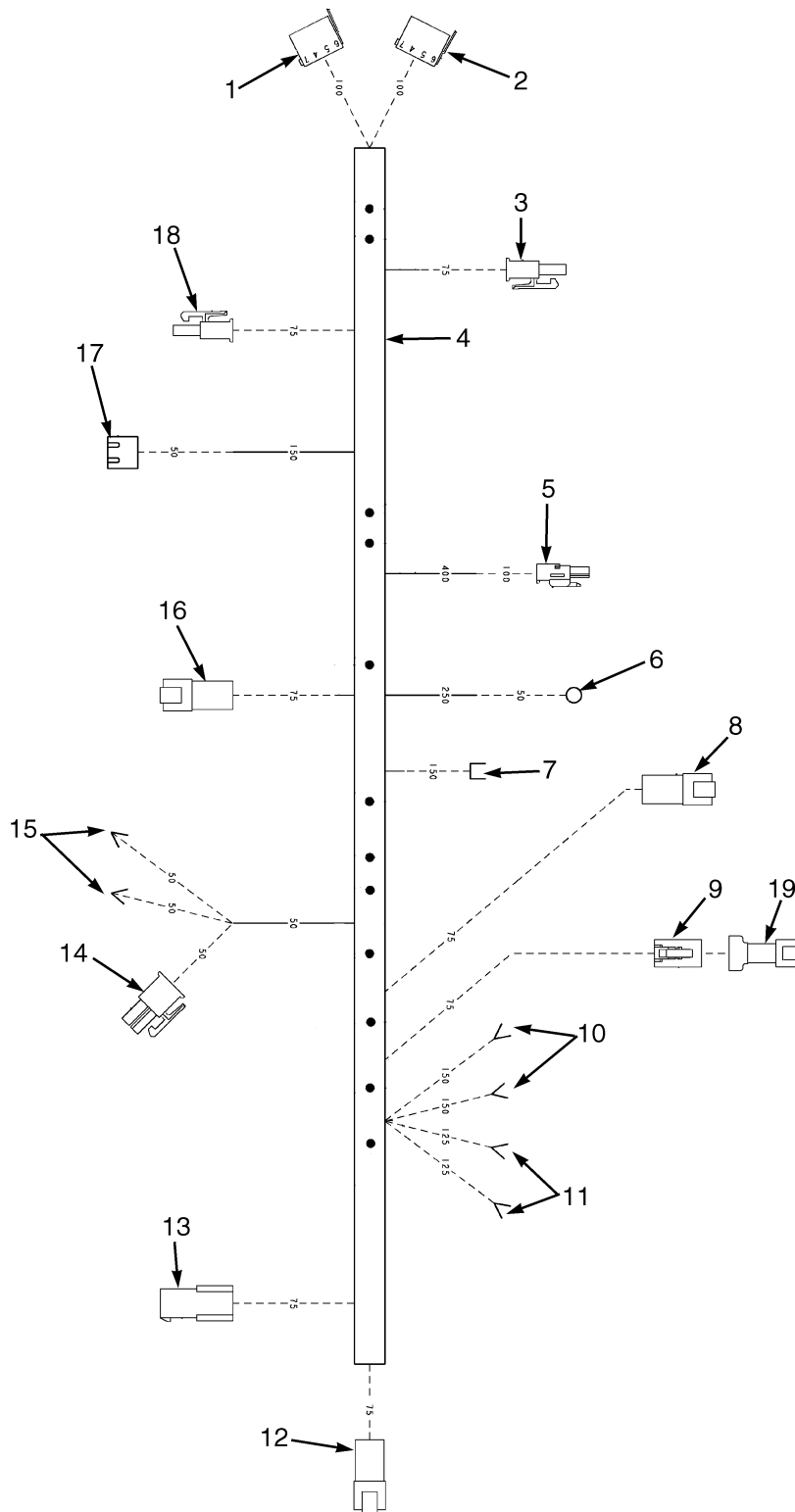


HP081718

**WIRE HARNESS
LIGHTS (→ S/N F114A02392F)**

ITEM	PART NO.	DESCRIPTION	QTY
	2067259	Wire Harness (Lights)	1
1	Connector Assembly (Headlight and Sidelight Switch)	1
1	233141	Terminal	3
1	1484564		
	1382308	Socket	1
2	Connector Assembly (Rear Work Light Switch)	1
2	233141	Terminal	2
2	1484564		
	1382308	Socket	1
3	Connector Assembly (Front Right Headlight and Sidelight)	1
3	2309579	Socket	3
3	2037544	Receptacle	1
4	Connector Assembly (DC-DC Converter)	1
4	1554877	Terminal	4
4	1554879	Connector	1
5	206028	E-Ring (Battery)	1
6	2007554	E-Spade (Battery)	1
7	Connector Assembly (Rear Left Lights)	1
7	1330437	Terminal (Pin)	4
7	1330411	Connector	1
7	1330416	Connector	1
8	Connector Assembly (Three-Way Diode)	1
8	2047859	Connector Body	1
8	2050719	Diode	1
9	Connector Assembly (Back-Up Relay Coil and Contacts)	1
9	248196	Terminal	2
9	236901	Terminal	2
10	Connector Assembly (Rear Right Lights)	1
10	1330437	Terminal (Pin)	4
10	1330411	Connector	1
10	1330416	Connector	1
11	Connector Assembly (Back-Up Alarm)	1
11	2302852	Pin	2
11	2033695	Connector	1
12	Connector Assembly (Rear Work Light)	1
12	2309579	Socket	2
12	2034890	Connector	1
13	Connector Assembly (Strobe Light)	1
13	1306271	Terminal	2
14	Connector Assembly (Main Harness)	1
14	1330437	Terminal (Pin)	2
14	1330439	Plug	2
14	1330411	Connector	1
14	1330416	Connector	1
15	Connector Assembly (Brake Switch)	1
15	370730	Terminal	2
15	346330	Connector Body	1
16	Connector Assembly (Front Left Headlight and Sidelight)	1
16	2309579	Socket	3
16	2037544	Receptacle	1

WIRE HARNESS (FIGURE 2-22) LIGHTS (S/N F114A02393F →)



BP081128

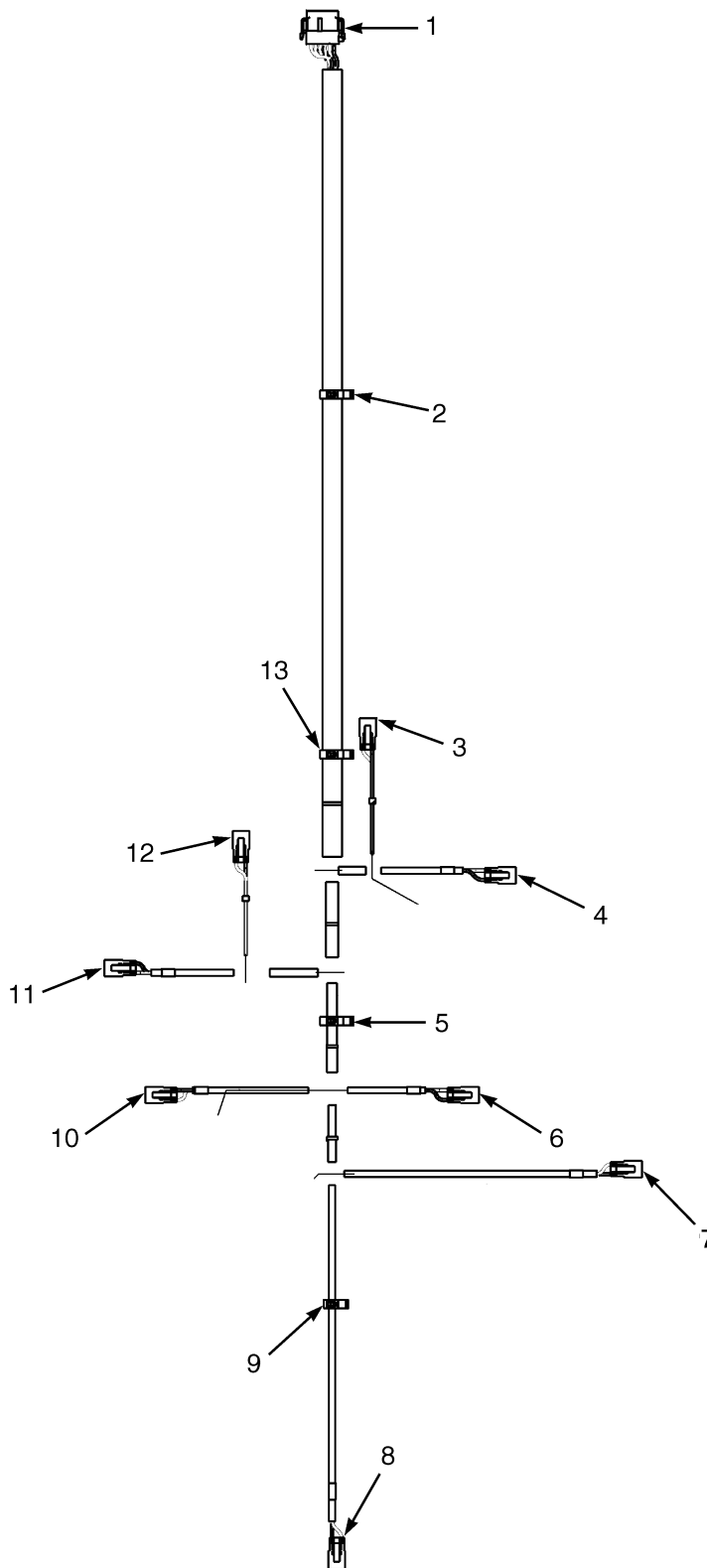
**WIRE HARNESS
LIGHTS (S/N F114A02393F →)**

ITEM	PART NO.	DESCRIPTION	QTY
	2108031	Wire Harness (Lights)	1
1	Connector Assembly (Headlight and Sidelight Switch)	1
1	1484564		
	1382308	Socket	1
1	233141	Terminal	3
2	Connector Assembly (Rear Work Light Switch)	1
2	1484564		
	1382308	Socket	1
2	233141	Terminal	2
3	Connector Assembly (Right Front Headlight and Sidelight)	1
3	2037544	Receptacle	1
3	2309579	Socket	3
4	381919	Braiding	AR
5	Connector Assembly (Dc-DC Converter)	1
5	1554879	Connector	1
5	1554877	Terminal	4
6	Connector Assembly (Battery, Negative)	1
6	206028	E-Ring	1
7	Connector Assembly (Battery, Positive)	1
7	2007554	E-Spade	1
8	Connector Assembly (Left Rear Lights)	1
8	1330411	Connector	1
8	1330416	Connector	1
8	1330437	Terminal (Pin)	4
9	Connector Assembly (Supression Module)	1
9	1330421	Connector (4 Soc)	1
9	1330427	Connector (Secondary Lock)	1
9	1330439	Plug	2
9	1330438	Terminal (Socket)	2
10	Connector Assembly (Back-up Relay Coil)	1
10	236901	Terminal	2
10	175944	Heat Shrink	2
11	Connector Assembly (Back-up Relay Contacts)	1
11	248196	Terminal	2
11	222523	Heat Shrink	2
12	Connector Assembly (Right Rear Lights)	1
12	1330411	Connector	1
12	1330416	Connector	1
12	1330437	Terminal (Pin)	4
13	Connector Assembly (Back-up Alarm)	1
13	2033695	Connector	1
13	2302852	Pin	2
14	Connector Assembly (Rear Worklight)	1
14	2034890	Connector	1
14	2309579	Socket	2
15	Connector Assembly (Strobe Light)	1
15	1306271	Terminal	1
16	Connector Assembly (Main Harness)	1
16	1330411	Connector	1
16	1330416	Connector	1

**WIRE HARNESS
LIGHTS (S/N F114A02393F →)**

ITEM	PART NO.	DESCRIPTION	QTY
16	1330437	Terminal (Pin)	2
16	1330437	Terminal (Pin)	2
17	Connector Assembly (Brake Switch)	1
17	346330	Connector Body	1
17	370730	Terminal	2
18	Connector Assembly (Left Front Headlight and Sidelight)	1
18	2037544	Receptacle	1
18	2309579	Socket	3
19	1520933	Module	1

WIRE HARNESS (FIGURE 2-23) CONTROL VALVE — ELECTRONIC HYDRAULICS

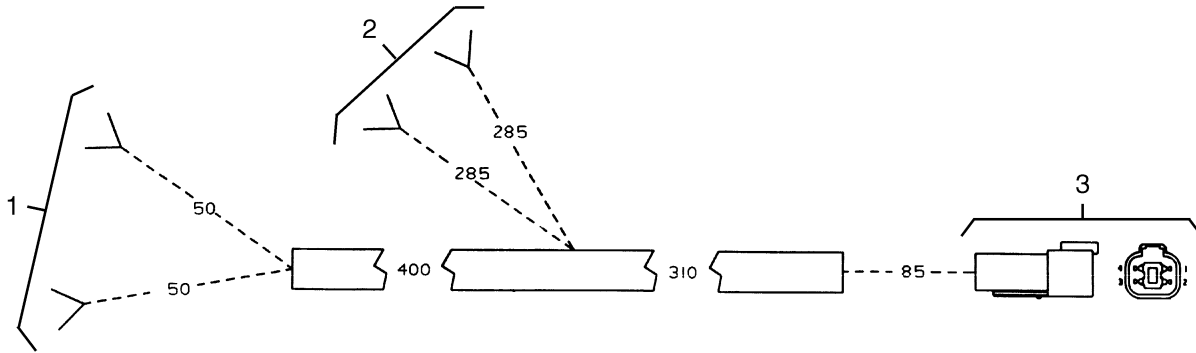


HP081720

**WIRE HARNESS
CONTROL VALVE – ELECTRONIC HYDRAULICS**

ITEM	PART NO.	DESCRIPTION	QTY
	2079275	Wire Harness (Control Valve)	1
1	Connector Assembly (To Valve Controller)	1
1	1525568	Connector	1
1	1529046	Connector	1
1	1463139	Terminal	12
2	1509890	Clip	1
3	Connector Assembly (To 4B Auxiliary 2 Solenoid)	1
3	1484361	Connector (Socket)	1
3	1490243	Connector	1
3	1330438	Terminal (Socket)	2
4	Connector Assembly (To 4A Auxiliary 2 Solenoid)	1
4	1484361	Connector (Socket)	1
4	1490243	Connector	1
4	1330438	Terminal (Socket)	2
5	1532775	Clip	1
6	Connector Assembly (To 2A Tilt Solenoid)	1
6	1484361	Connector (Socket)	1
6	1490243	Connector	1
6	1330438	Terminal (Socket)	2
7	Connector Assembly (To 1B Lift Solenoid)	1
7	1484361	Connector (Socket)	1
7	1490243	Connector	1
7	1330438	Terminal (Socket)	2
8	Connector Assembly (To 1A Lower Solenoid)	1
8	1484361	Connector (Socket)	1
8	1490243	Connector	1
8	1330438	Terminal (Socket)	2
9	1532774	Clip	1
10	Connector Assembly (To 2B Tilt Solenoid)	1
10	1484361	Connector (Socket)	1
10	1490243	Connector	1
10	1330438	Terminal (Socket)	2
11	Connector Assembly (To 3B Auxiliary 1 Solenoid)	1
11	1484361	Connector (Socket)	1
11	1490243	Connector	1
11	1330438	Terminal (Socket)	2
12	Connector Assembly (To 3A Auxiliary 1 Solenoid)	1
12	1484361	Connector (Socket)	1
12	1490243	Connector	1
12	1330438	Terminal (Socket)	2
13	1532776	Clip	1

**WIRE HARNESS (FIGURE 2-24)
DASH**



HP081730

ITEM	PART NO.	DESCRIPTION	QTY
	1340796	Wire Harness (Dash)	1
1	Connector Assembly (Ignition Switch)	1
1	1306270	Terminal	2
2	Connector Assembly (Horn Switch)	1
2	1306270	Terminal	2
3	Connector Assembly	1
3	1330437	Terminal (Pin)	4
3	1330411	Connector	1
3	1330416	Connector	1

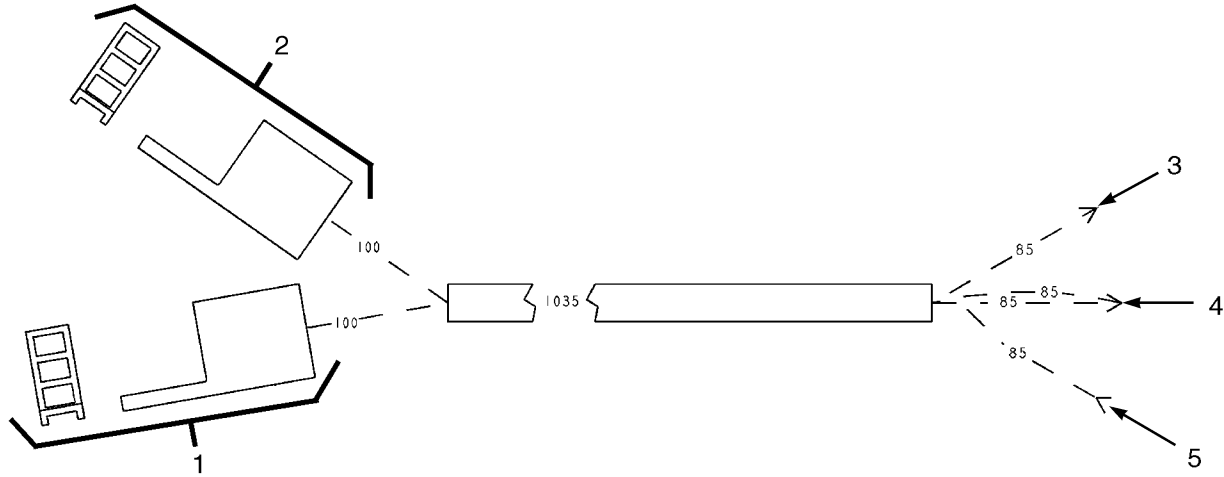
**WIRE HARNESS (FIGURE 2-25)
HOOD**



HP081738

ITEM	PART NO.	DESCRIPTION	QTY
	2079477	Wire Harness (Hood)	1
1	Connector Assembly (To Main Harness)	1
1	1541988	Connector (8 Pin)	1
1	1541989	Connector	1
1	1463138	Terminal Pin	6
1	1484377	Plug	2
2	Connector Assembly (To Seat)	1
2	1541991	Connector	1
2	1541992	Connector	1
2	1463139	Terminal	7
2	1484377	Plug	1
3	1525920	E-Ring	1

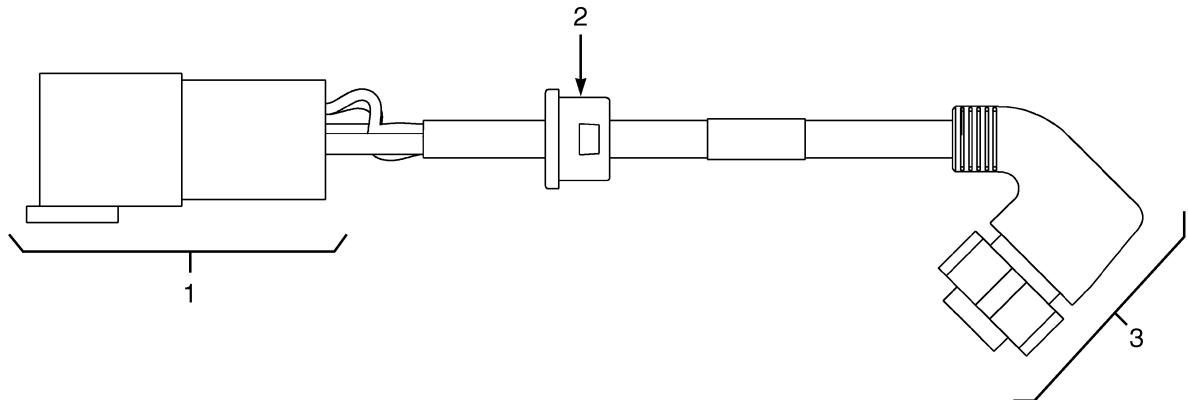
WIRE HARNESS (FIGURE 2-26) SHIFT LEVER



HP081739

ITEM	PART NO.	DESCRIPTION	QTY
	2046756	Wire Harness (Shift Lever)	1
1	Connector Assembly (Forward Switch)	1
1	1352564	Terminal	3
1	1498185	Connector	1
2	Connector Assembly (Reverse Switch)	1
2	1352564	Terminal	3
2	1498185	Connector	1
3	1306271	Terminal	1
4	1310143	Terminal	1
5	1306270	Terminal	1

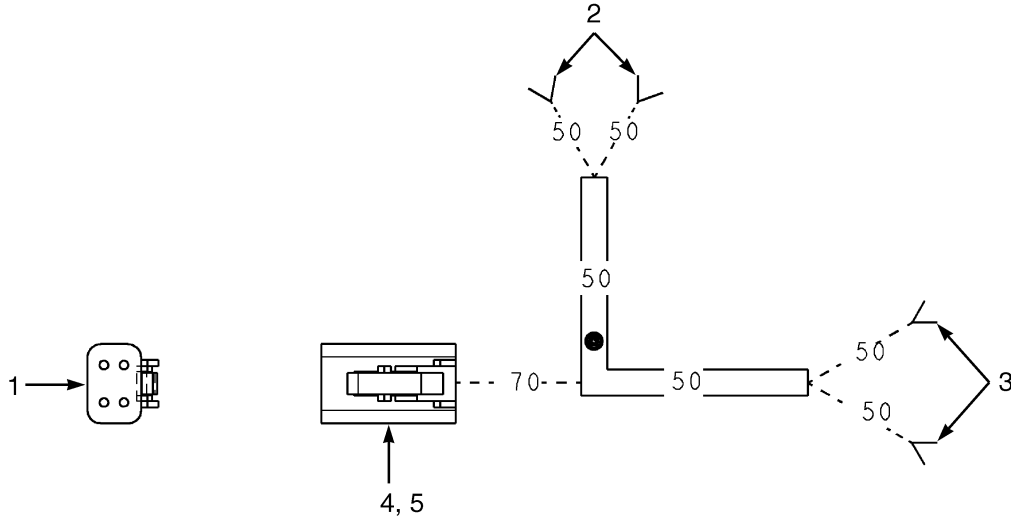
**WIRE HARNESS (FIGURE 2-27)
JOYSTICK**



HP081740

ITEM	PART NO.	DESCRIPTION	QTY
	2084703	Wire Harness (Joystick)	1
1	Connector Assembly (To Seat Harness)	1
1	1530960	Connector	1
1	1530961	Connector (Secondary Lock)	1
1	1463140	Terminal (Pin)	6
2	1569995	Bushing	1
3	Connector Assembly (Joystick)	1
3	1616384	Connector	1
3	1616386	Terminal (Socket)	6
3	1616388	Collar (Joystick)	1
3	1616390	O-Ring	1

WIRE HARNESS (FIGURE 2-28) PUMP CONTACTOR



HP081752

ITEM	PART NO.	DESCRIPTION	QTY
	2056631	Wire Harness	1
1	Suppression Module	1
1	1330438	Terminal (Socket)	3
2	To Main Harness	1
2	1306270	Terminal	2
3	Contacter Coil	1
3	248196	Terminal	2
4	1330421	Connector (4 Soc)	1
5	1330427	Connector (Secondary Lock)	1

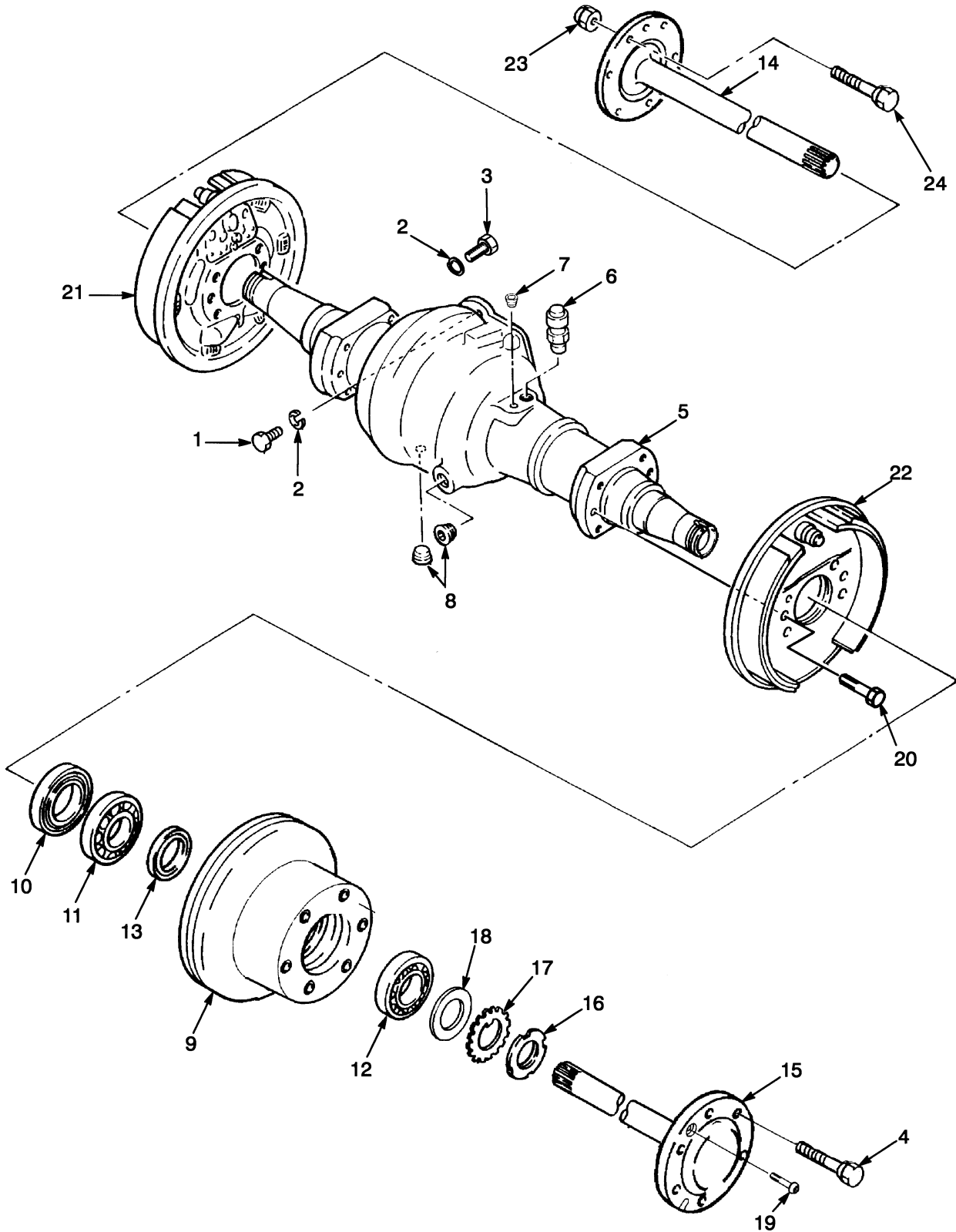
3

DRIVE UNIT

**SECTION 3
DRIVE UNIT**

DESCRIPTION	PAGE
DIFFERENTIAL	3-4
DRIVE AXLE	3-2
DRIVE TIRE AND WHEEL	
CUSHION - 18 X 5 X 12	3-14
CUSHION - 18 X 6 X 12	3-15
CUSHION - 18 X 7 X 12	3-17
SOLID PNEUMATIC	3-18
TRACTION MOTOR	
SHEET 1 OF 2	3-10
SHEET 2 OF 2	3-12
TRANSMISSION	3-6

DRIVE AXLE (FIGURE 3-1)



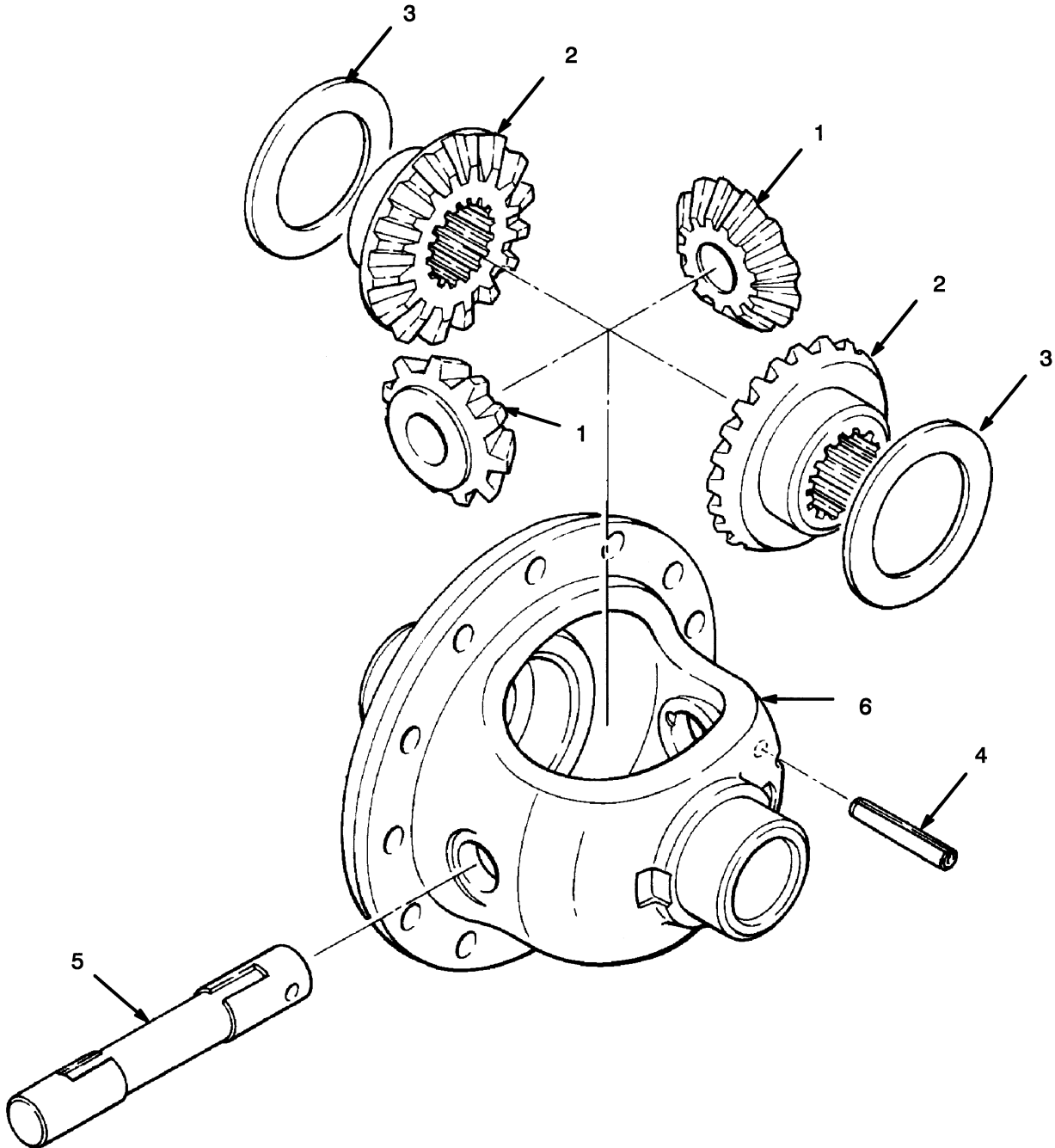
HP070102

DRIVE AXLE

ITEM	PART NO.	DESCRIPTION	QTY
1	136985	Capscrew	2
2	388049 292682	Lockwasher	10
3	287860	Capscrew	8
4	b 2023717	Bolt	10
5	2022840	Drive Axle Housing	1
5	2044302	Sleeve	2
5	2021491	Wear Sleeve	2
6	2023585	Breather	1
7	2021917	Plug	1
8	2023421	Plug	2
9	2023795	Hub	2
9	2026852	Hub	2
10	2021554	Seal	1
11	2021555	Tapered Roller Bearing	1
12	2021288	Radial Roller Bearing	1
13	2021557	Seal	1
14	2026916	Drive Shaft (RH)	1
15	2026917	Drive Shaft (LH)	1
16	2021918	Nut	2
17	2021588	Lockwasher	2
18	2021592	Washer	2
19	296172	Capscrew	2
20	2021286	Bolt	12
21	2026764	Brake Assembly (RH) (☞ Figure 5-1).....	1
22	2026763	Brake Assembly (LH) (☞ Figure 5-1).....	1
23	c 2026098	Wheel Nut	10
24	c 2023753	Wheel Stud	10
	ac 264134	Loctite	AR

FOOTNOTES:**a** Not Illustrated**c** Use With Pneumatic Tires**b** Use With Cushion Tires

DIFFERENTIAL (FIGURE 3-2)

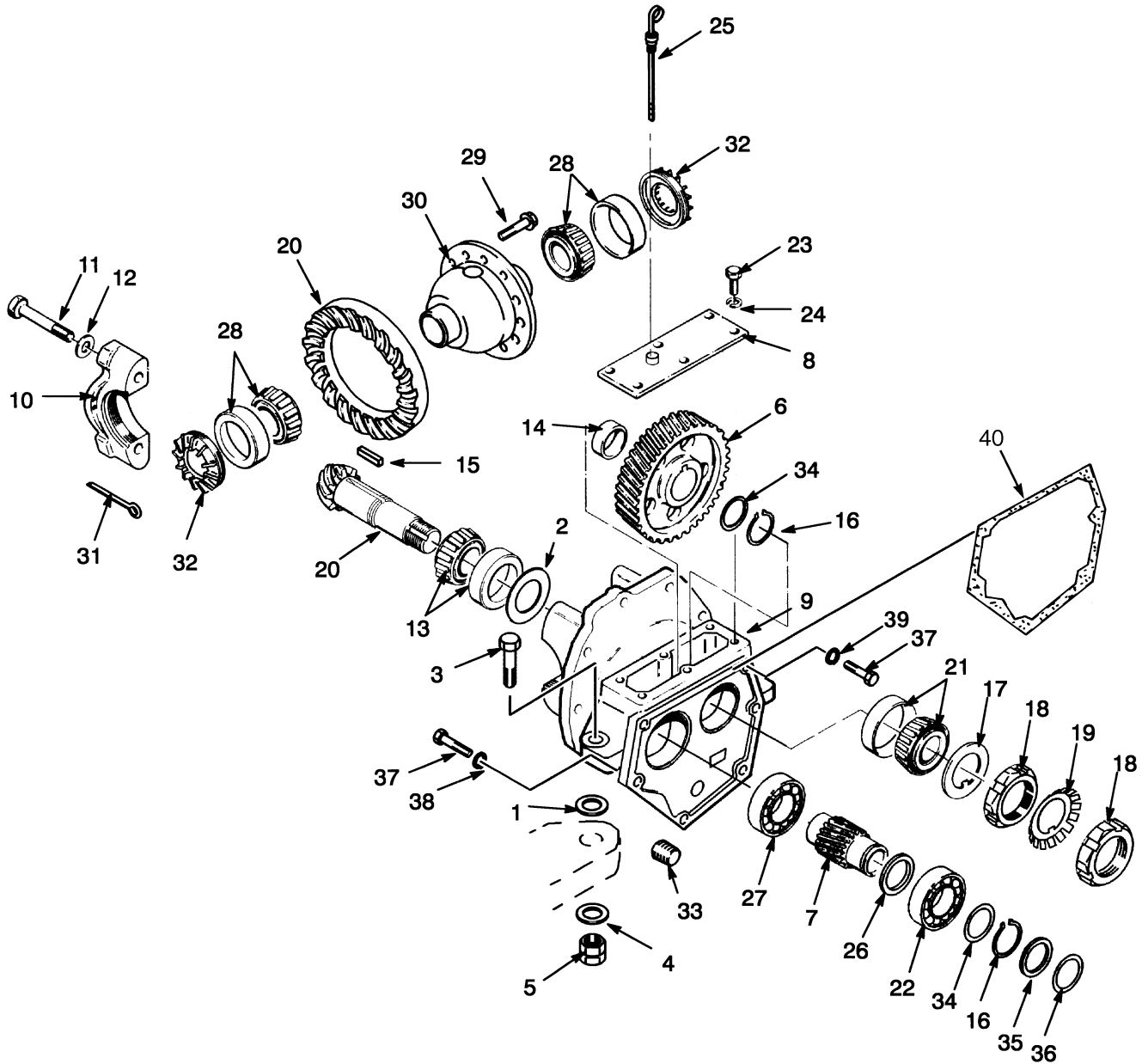


HP070018

DIFFERENTIAL

ITEM	PART NO.	DESCRIPTION	QTY
	2072190	Differential	1
1	Pinion	2
2	Gear	2
3	1565325	Washer	2
4	1593694	Cotter Pin	1
5	1593763	Shaft	1
6	Case	1
7	1598536	Kit-Gear	1

TRANSMISSION (FIGURE 3-3)



HP070017

TRANSMISSION

ITEM	PART NO.	DESCRIPTION	QTY
	2023792	Transmission Assy	1
1	2023009	Shim (0,508 mm)	AR
1	2023564	Shim (1,016 mm)	AR
1	2026738	Shim (0,203 mm)	AR
2	2021293	Shim (0,076 mm)	AR
2	2021294	Shim (0,178 mm)	AR
2	2021295	Shim (0,279 mm)	AR
2	2021296	Shim (0,381 mm)	AR
2	2021298	Shim (0,483 mm)	AR
3	292589	Capscrew	2
	a 264134	Loctite	AR
4	296431	Washer	2
5	316829	Nut	2
6	2023567	Gear (Intermediate)	1
7	2023572	Gear	1
8	2023573	Cover	1
9	2023565	Transmission Housing	1
10	2023418	Bearing Cap	2
11	293692	Capscrew	4
12	296426	Washer	4
13	2022352	Tapered Roller Bearing	1
14	2023566	Spacer	1
15	2023780	Key	1
16	2311941	Snap Ring	2
17	2021320	Washer	1
18	2023782	Nut	2
19	2023783	Lockwasher	1
20	2023570	Gear and Pinion	1
21	2023781	Bearing Set	1
22	124645	Ball Bearing	1
23	136749	Screw	6
24	292681	Lockwasher	6
25	2023784	Dipstick	1
26	2023785	Spacer	1
27	43209	Ball Bearing	1
28	2021288	Radial Roller Bearing	2
29	2021286	Bolt	12
30	2072190	Differential	1
31	1371656	Cotter Pin	2
32	2021287	Bearing	2
33	2023421	Plug	1
34	2023576	Shim (0,102 mm)	AR
34	2023577	Shim (0,203 mm)	AR
34	2023578	Shim (0,305 mm)	AR
35	2023712	Spacer	1
36	2023713	Shim (0,102 mm)	AR
36	2023714	Shim (0,203 mm)	AR
36	2023715	Shim (0,305 mm)	AR
37	4048844		
	292528	Capscrew	4
38	292683	Lockwasher	6

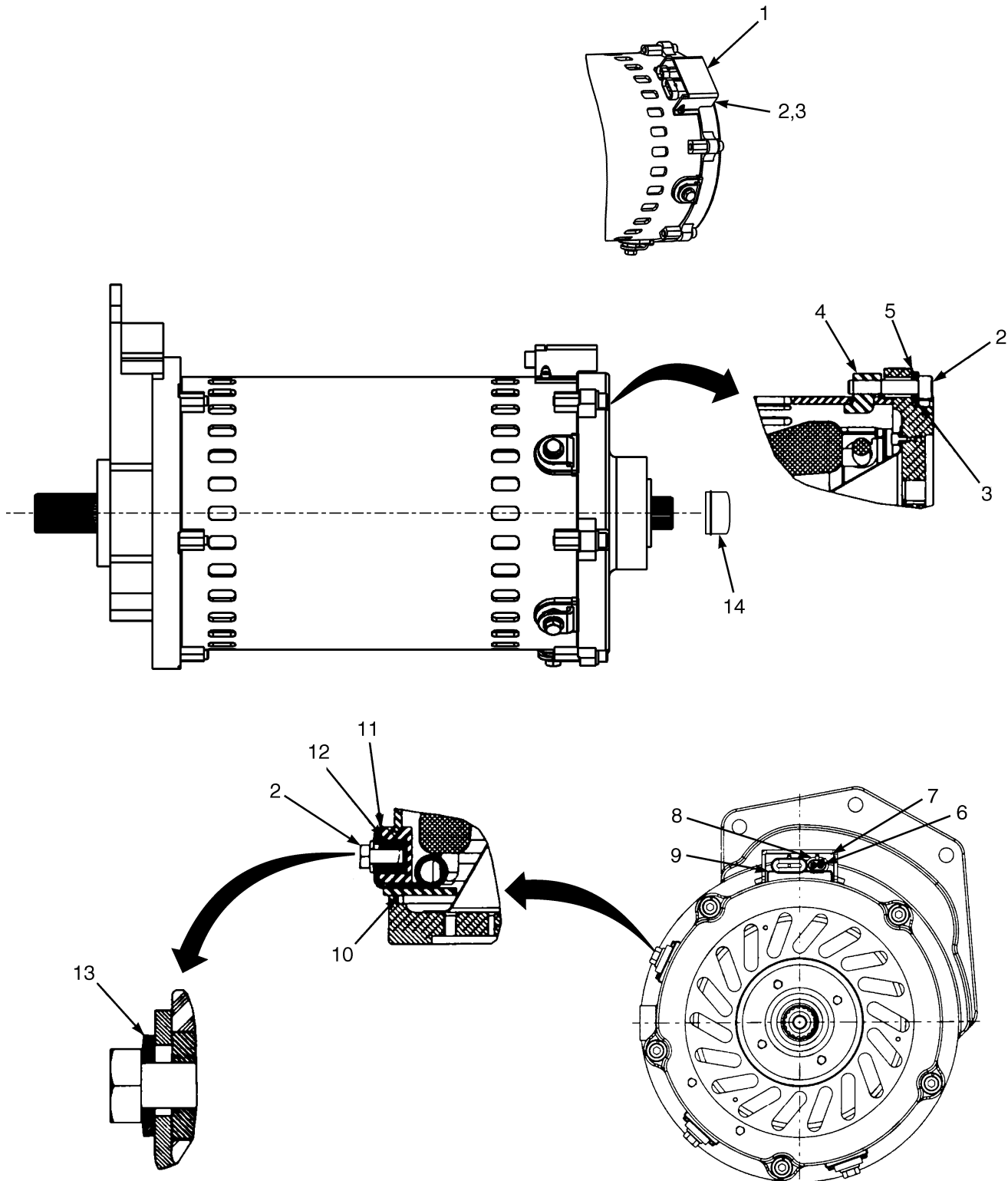
TRANSMISSION

ITEM	PART NO.	DESCRIPTION	QTY
39	292527	Capscrew	2
40	264159	Adhesive	1

FOOTNOTES:

- a** Not Illustrated

TRACTION MOTOR (FIGURE 3-4) SHEET 1 OF 2



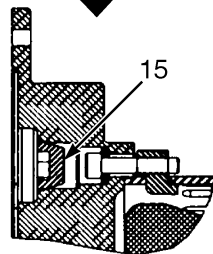
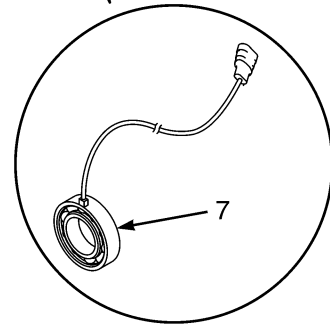
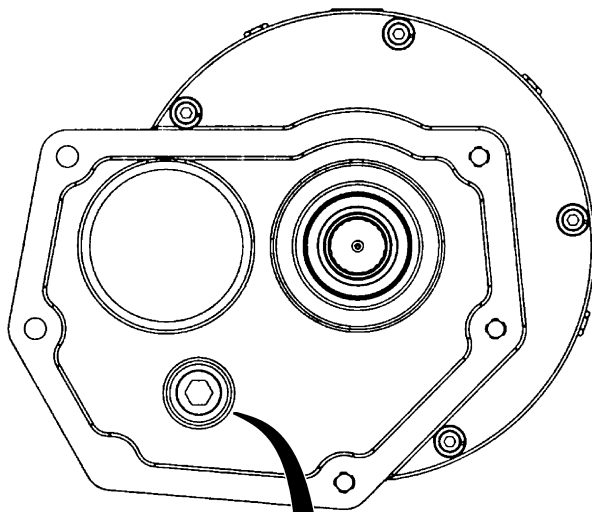
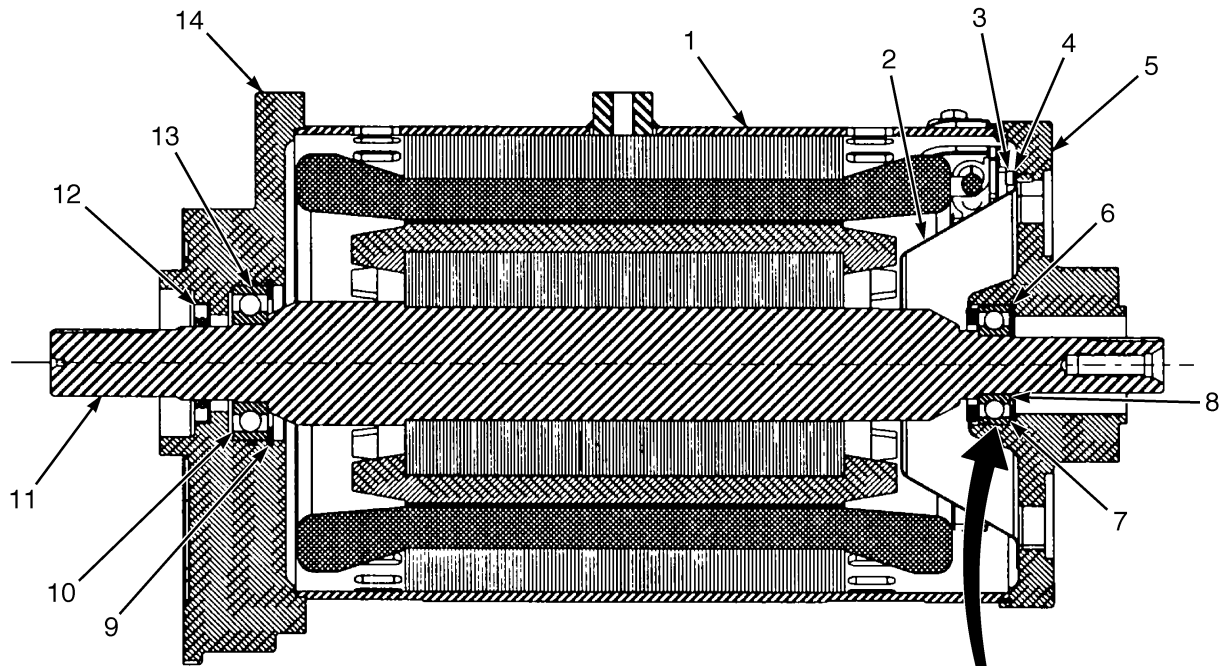
HP070124

**TRACTION MOTOR
SHEET 1 OF 2**

ITEM	PART NO.	DESCRIPTION	QTY
	2064030	Traction Motor	1
1	1555894	Bracket	1
2	Capscrew	2
3	Lockwasher (Spring)	2
4	1555881	Nut	10
5	320158	Washer	10
6	Pin	2
7	Seal	2
8	Connector	1
9	Bracket	1
10	Terminal Block	3
11	Cover	3
12	1555891	Nut	3
13	Lockwasher (External Tooth)	3
14	1670767	Cap (Grease)	1
	a 1555892	Rubber Mount	1
	a	Capscrew	2
	a	Pan Head Screw	3
	a	Seal Plate	1
	a	Locknut	2
	a	Housing Band Seal	2
	1565068	Kit-Motor Band	1
	1648202	Kit-Terminal	1

FOOTNOTES:**a** Not Illustrated

TRACTION MOTOR (FIGURE 3-5) SHEET 2 OF 2

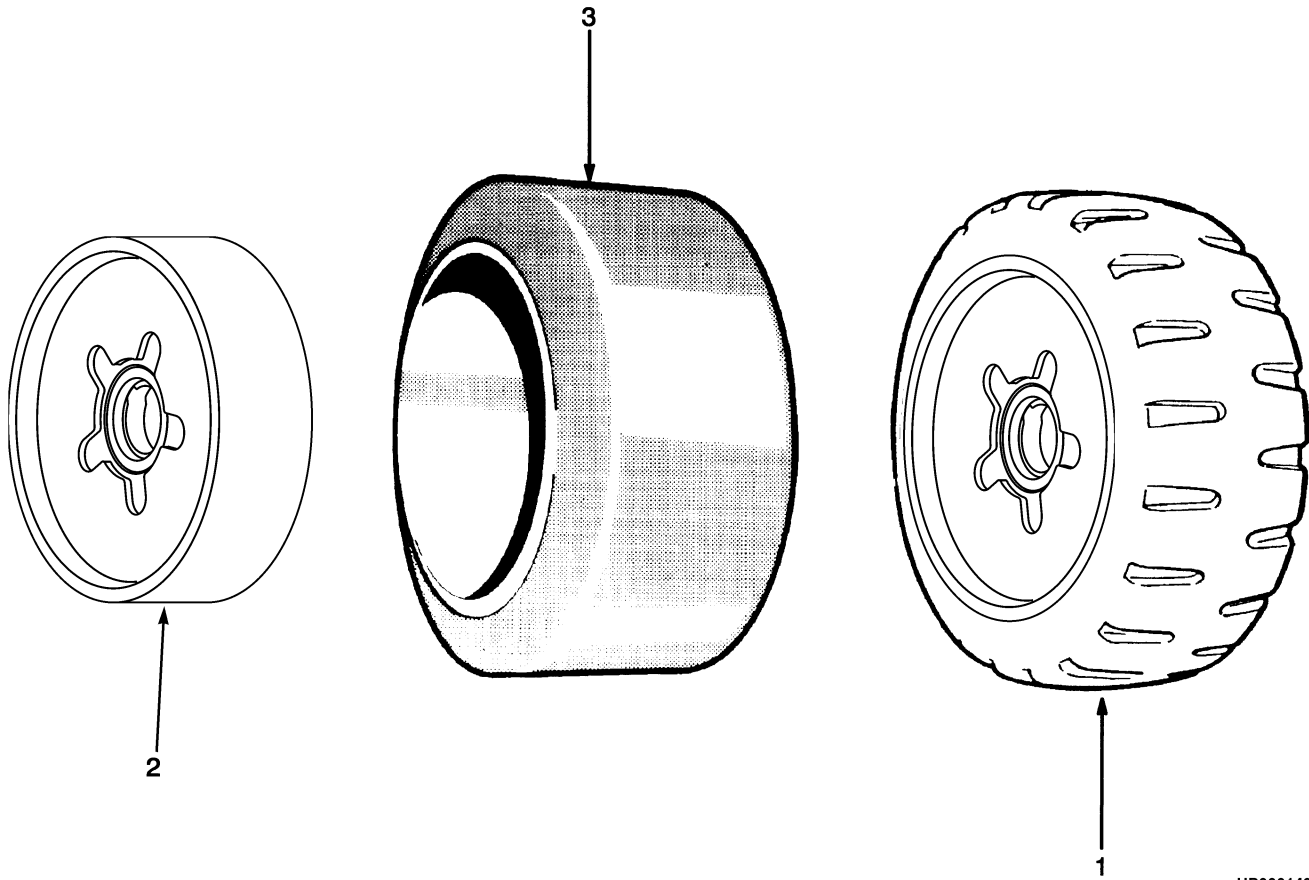


HP070104

TRACTION MOTOR
SHEET 2 OF 2

ITEM	PART NO.	DESCRIPTION	QTY
	2064030	Traction Motor	1
1	Housing (Stator)	1
2	Air Guide (Non Drive End)	1
3	Capscrew	3
4	Lockwasher	3
5	Housing (Non Drive End)	1
6	1555902	Spring	1
7	1555908	Bearing with Sensor (Encoder)	1
8	1555903	O-Ring	1
9	Retaining Ring	1
10	1565668	Ball Bearing	1
11	Rotor Assembly	1
12	1565667	Seal	1
13	O-Ring	1
14	Housing (Drive End)	1
15	Plug	1

DRIVE TIRE AND WHEEL (FIGURE 3-6) CUSHION — 18 X 5 X 12



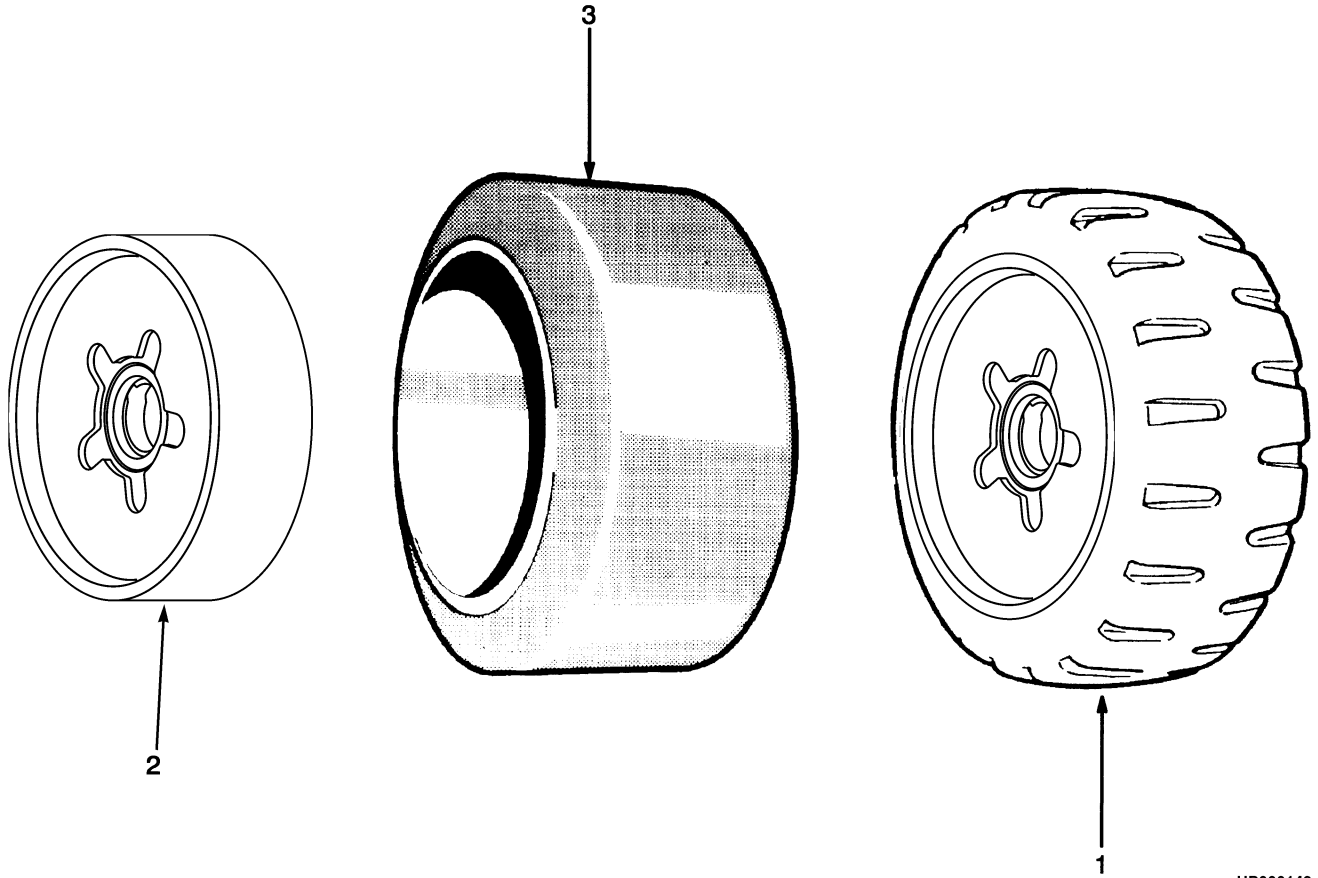
HP000142

KEY:

- A: Standard Tread**
- B: Intermediate Tread**
- C: Wide Tread**

ITEM	PART NO.	DESCRIPTION	QTY		
			A	B	C
	2023657	Wheel and Tire (Smooth Tread, Standard)	2
	2023658	Wheel and Tire (Lug Tread, Standard)	2
	2023659	Wheel and Tire (Smooth Tread, Polyurethane)	2
	2023660	Wheel and Tire (Smooth Tread, Standard)	2	..
	2023661	Wheel and Tire (Lug Tread, Standard)	2	..
	2023662	Wheel and Tire (Smooth Tread, Polyurethane)	2	..
	2023663	Wheel and Tire (Smooth Tread, Standard)	2
	2023664	Wheel and Tire (Lug Tread, Standard)	2
	2023665	Wheel and Tire (Smooth Tread, Polyurethane)	2
1	806222	Cushion Tire (Lug Tread, Standard)	2	2	2
2	2023686	Wheel	2	2	2
3	259647	Cushion Tire (Smooth Tread, Standard)	2	2	2
3	237193	Cushion Tire (Smooth Tread, Polyurethane)	2	2	2

DRIVE TIRE AND WHEEL (FIGURE 3-7)
CUSHION — 18 X 6 X 12



HP000142

KEY:

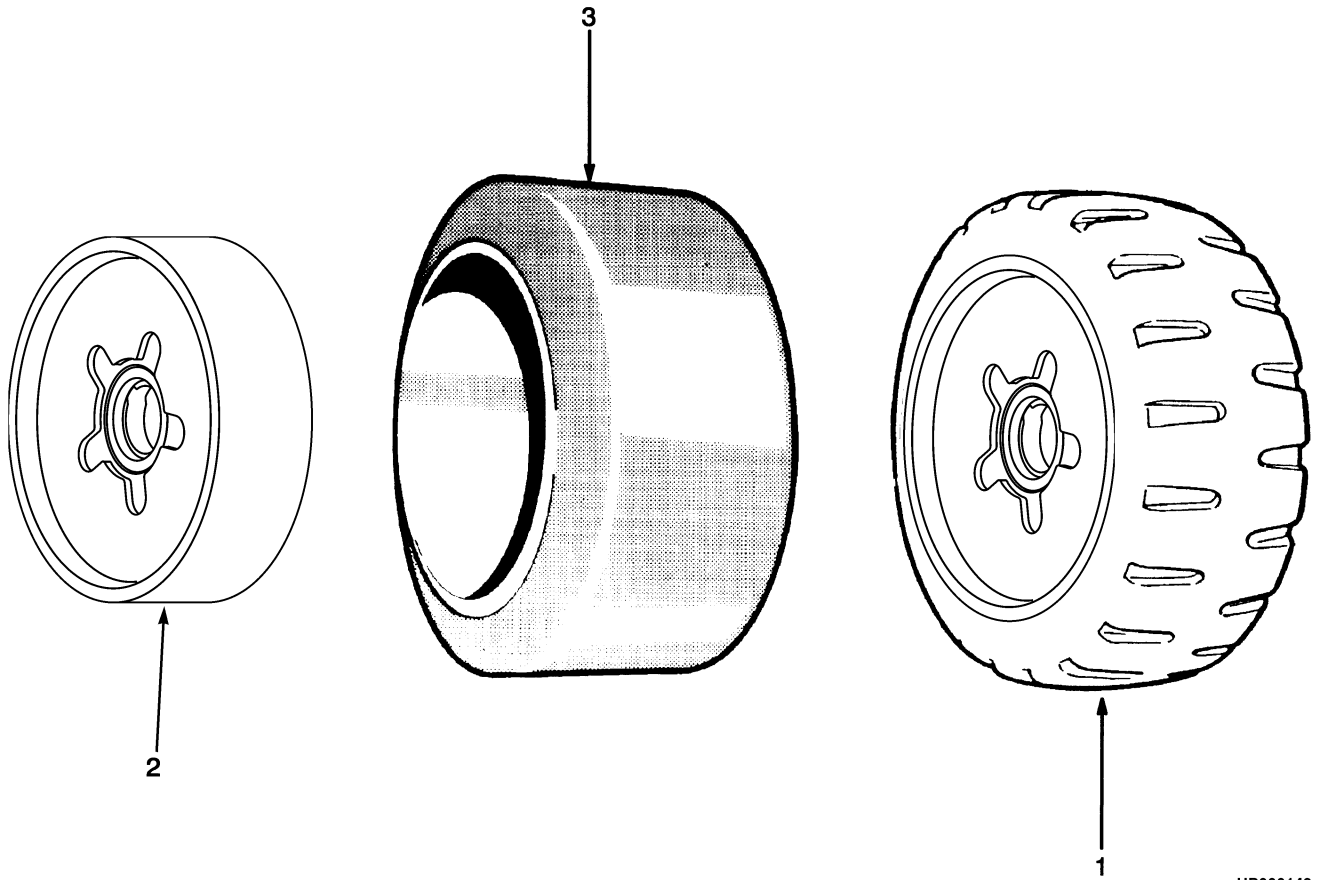
- A: Standard Tread**
- B: Intermediate Tread**
- C: Wide Tread**

ITEM	PART NO.	DESCRIPTION	QTY		
			A	B	C
	2023666	Wheel and Tire (Smooth Tread, Standard)	2
	2023668	Wheel and Tire (Smooth Tread, Non-Marking)	2
	2023669	Wheel and Tire (Smooth Tread, Polyurethane)	2
	2023667	Wheel and Tire (Lug Tread, Standard)	2
	1615847	Wheel and Tire (Lug Tread, Non-Marking)	2
	2023670	Wheel and Tire (Smooth Tread, Standard)	2	..
	2023672	Wheel and Tire (Smooth Tread, Non-Marking)	2	..
	2023673	Wheel and Tire (Smooth Tread, Polyurethane)	2	..
	2023671	Wheel and Tire (Lug Tread, Standard)	2	..
	2023674	Wheel and Tire (Smooth Tread, Standard)	2
	2023676	Wheel and Tire (Smooth Tread, Non-Marking)	2
	2023677	Wheel and Tire (Smooth Tread, Polyurethane)	2
	2023675	Wheel and Tire (Lug Tread, Standard)	2
1	806223	Cushion Tire (Lug Tread, Standard)	2	2	2
1	2083379	Cushion Tire (Lug Tread, Non-Marking)	2	..	2
2	2023684	Wheel	2

KEY:**A: Standard Tread****B: Intermediate Tread****C: Wide Tread**

ITEM	PART NO.	DESCRIPTION	QTY		
			A	B	C
2	2023685	Wheel	2	..
2	2023686	Wheel	2
3	259648	Cushion Tire (Smooth Tread, Standard)	2	2	2
3	237209	Cushion Tire (Smooth Tread, Non-Marking)	2	2	2
3	237195	Cushion Tire (Smooth Tread, Polyurethane)	2	2	2

DRIVE TIRE AND WHEEL (FIGURE 3-8)
CUSHION — 18 X 7 X 12



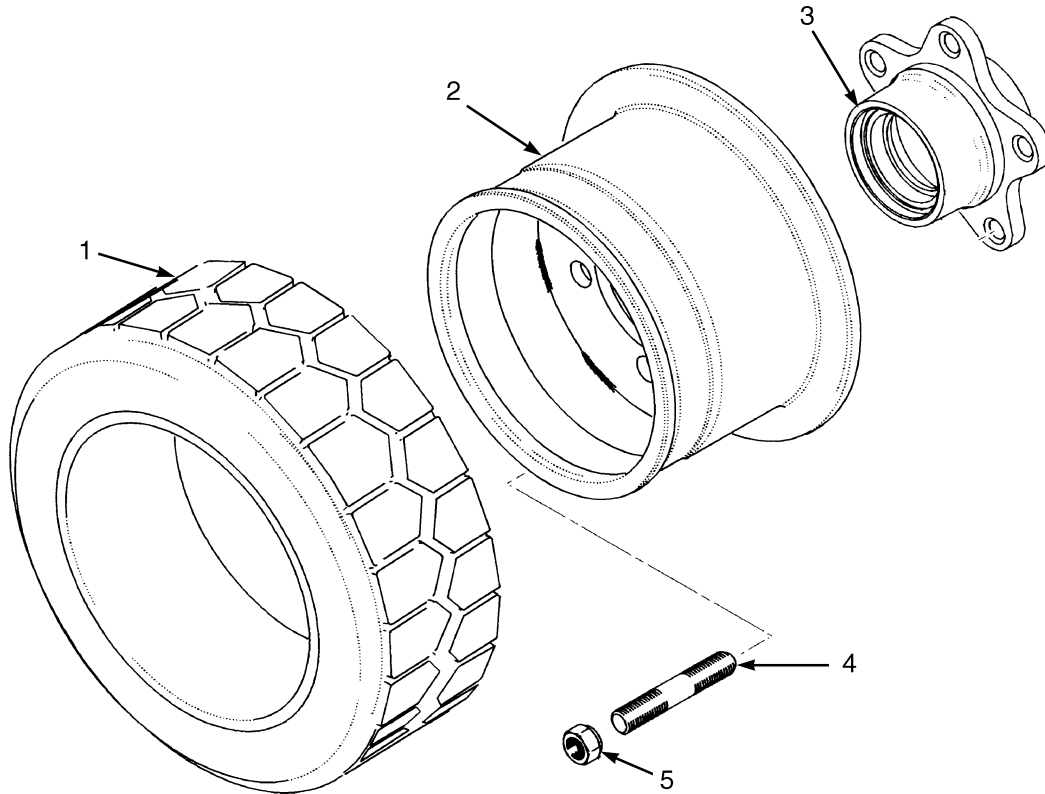
HP000142

KEY:

- A: Intermediate Tread**
- B: Wide Tread**

ITEM	PART NO.	DESCRIPTION	QTY	
			A	B
	2023679	Wheel and Tire (Lug Tread, Standard)	2	..
	2023678	Wheel and Tire (Smooth Tread, Standard)	2	..
	2023680	Wheel and Tire (Smooth Tread, Non-Marking)	2	..
	2023682	Wheel and Tire (Lug Tread, Standard)	2
	1615941	Wheel and Tire (Lug Tread, Non-Marking)	2
	2023681	Wheel and Tire (Smooth Tread, Standard)	2
	2023683	Wheel and Tire (Smooth Tread, Non-Marking)	2
1	259810	Cushion Tire (Lug Tread, Standard)	2	2
1	2083383	Cushion Tire (Lug Tread, Non-Marking)	2
2	2023685	Wheel	2	..
2	2023686	Wheel	2
3	259645	Cushion Tire (Smooth Tread, Standard)	2	2
3	237210	Cushion Tire (Smooth Tread, Non-Marking)	2	2

DRIVE TIRE AND WHEEL (FIGURE 3-9) SOLID PNEUMATIC



HP220465

KEY:

A: 18 x 7 - 8

B: 200 x 50 - 10

ITEM	PART NO.	DESCRIPTION	QTY	
			A	B
1	2035605	Solid Pneumatic Tire (Snap-In) (200 x 50-10)	2
1	2083378	Solid Pneumatic Tire (Non-Marking)	2
1	2035601	Pneumatic Shape Solid Tire (Snap-In)	2	..
1	1539638	Pneumatic Shape Solid Tire (Snap-In) (Alternate Part)	2	..
1	1603499	Pneumatic Shape Solid Tire (Non Marking)	2	..
2	2035820	Wheel	2	..
2	1461844	Wheel	2
3	Hub	2	2
4	2023753	Wheel Stud	10	10
5	2026098	Wheel Nut	10	10
	a 264134	Loctite	AR	AR

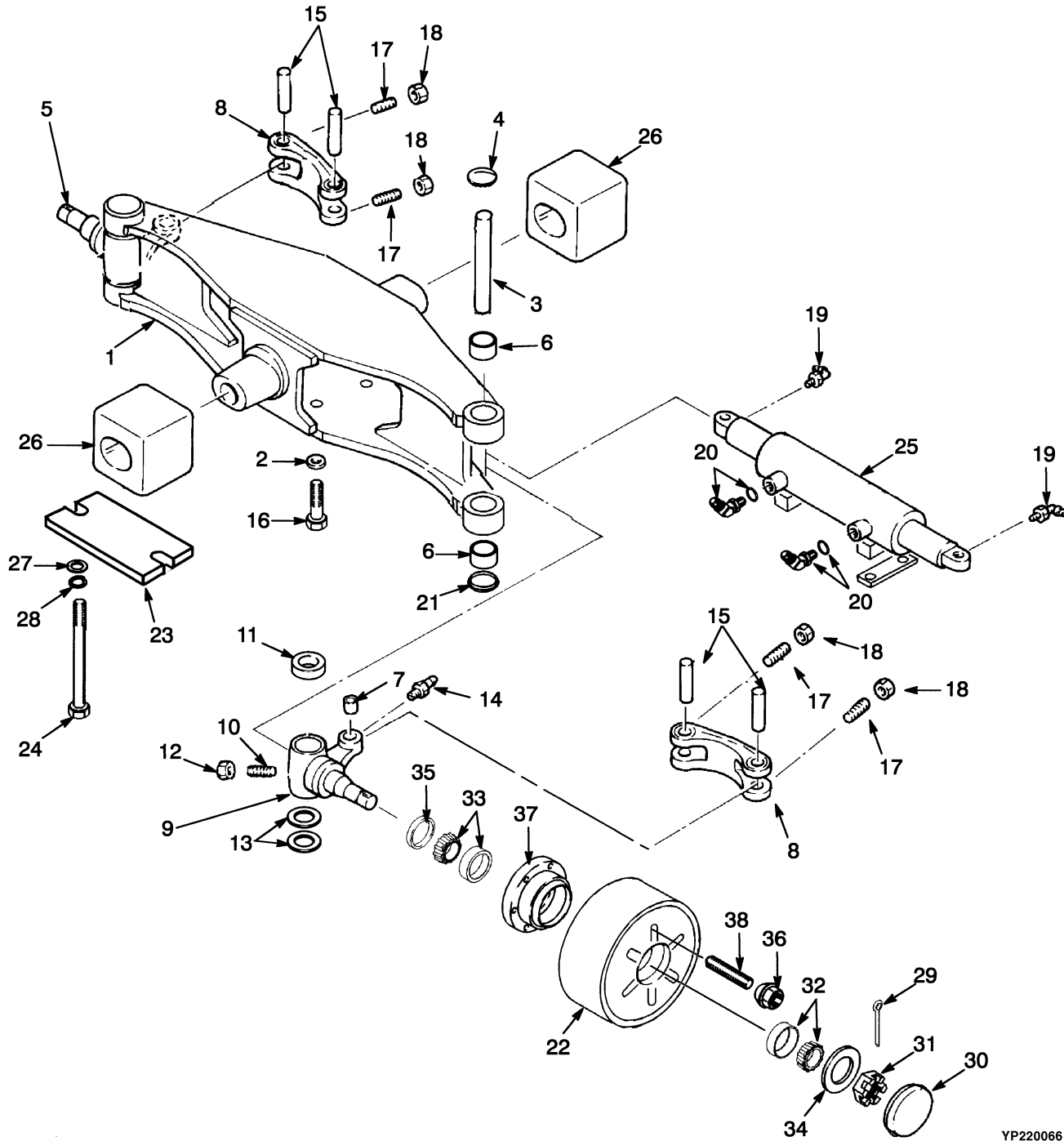
FOOTNOTES:

a Not Illustrated

**SECTION 4
STEERING SYSTEM**

DESCRIPTION	PAGE
GEAR PUMP ASSEMBLY	4-14
SHIFT LEVER	4-22
STEER AXLE	4-2
STEER CYLINDER	4-4
STEER MOTOR AND ATTACHING PARTS	4-16
STEER PUMP ASSEMBLY	4-12
STEER TIRE AND WHEEL	
CUSHION	4-19
SOLID PNEUMATIC - SNAP-IN TIRE	4-18
STEERING COLUMN ASSEMBLY	
FORWARD AND REVERSE LEVER	4-8
MONOTROL	4-6

STEER AXLE (FIGURE 4-1)

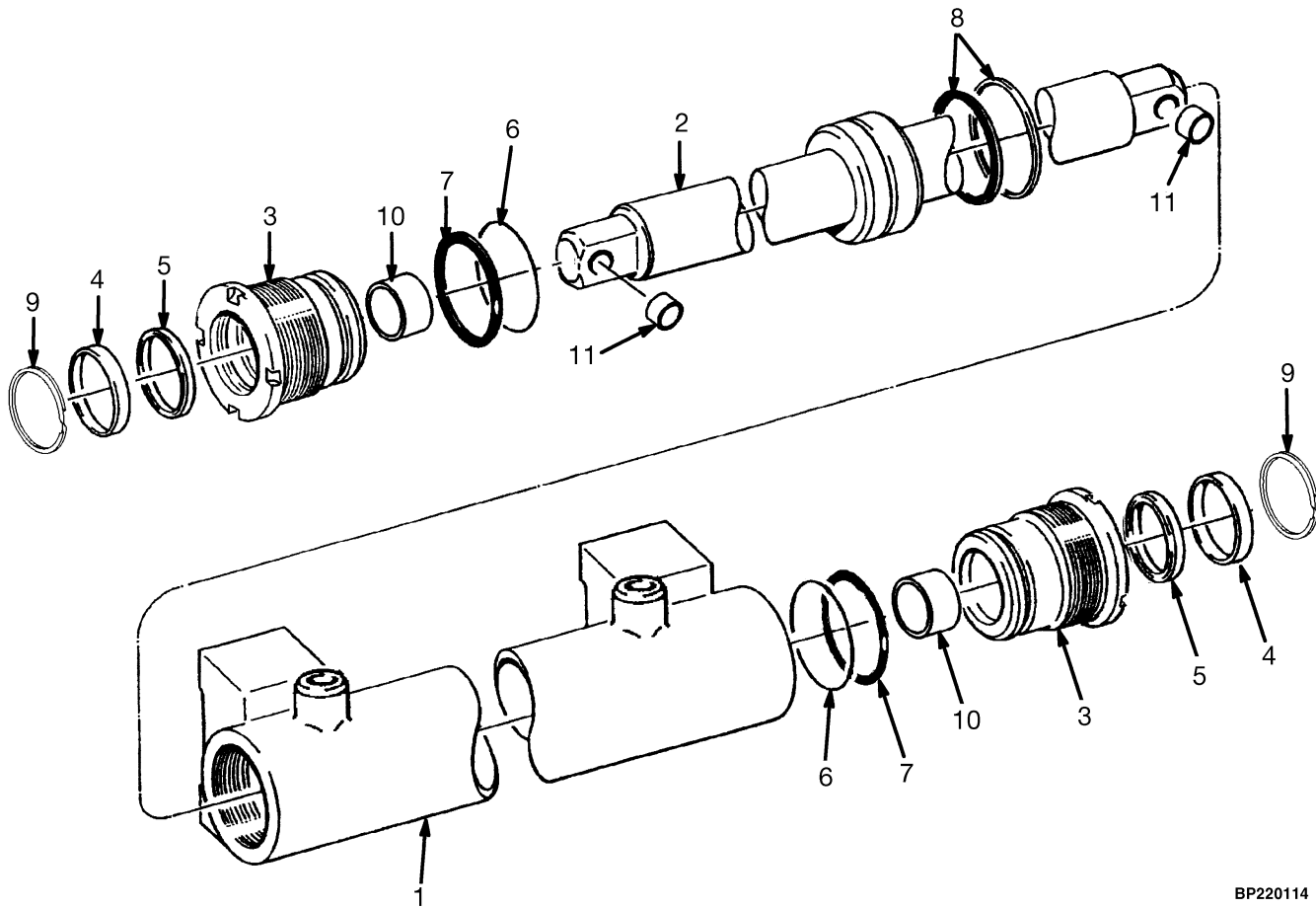


YP220066

STEER AXLE

ITEM	PART NO.	DESCRIPTION	QTY
1	2026729	Steering Axle	1
2	296426	Washer	4
3	2026734	King Pin	2
4	2022555	Plug	4
5	2026732	Spindle (RH)	1
6	2026735	Bearing Set	4
7	2021794	Bushing	2
8	2026733	Tie Rod	2
9	2026731	Spindle (LH)	1
10	2026737	Setscrew	2
11	2026736	Thrust Bearing	2
12	2022946	Nut	2
13	2026738	Shim (0,203 mm)	2
13	2023009	Shim (0,508 mm)	2
14	2305757	Grease Fitting	6
15	2021793	Pin	4
16	293684	Capscrew	4
17	302146	Setscrew	4
18	2021892	Nut	4
19	2021895	Grease Fitting	2
20	16567	Fitting	2
20	16483	O-Ring	1
21	2026739	Seal	4
22	Tire and Wheel (☞Figure 4-8, ☞Figure 4-9).....	2
23	2021900	Cover	2
24	287860	Capscrew	4
25	Steer Cylinder (☞Figure 4-2).....	1
26	2021804	Rubber Cushion	2
27	320159	Washer	4
28	388049 292682	Lockwasher	4
29	15236	Cotter Pin	2
30	69029	Cap	2
31	2021889	Nut	2
32	2021802	Bearing Set	2
33	2021803	Bearing Set	2
34	2021801	Washer	2
35	2021898	Seal	2
36	302977	Wheel Nut	10
37	2023752	Hub	2
38	305326	Wheel Stud	10

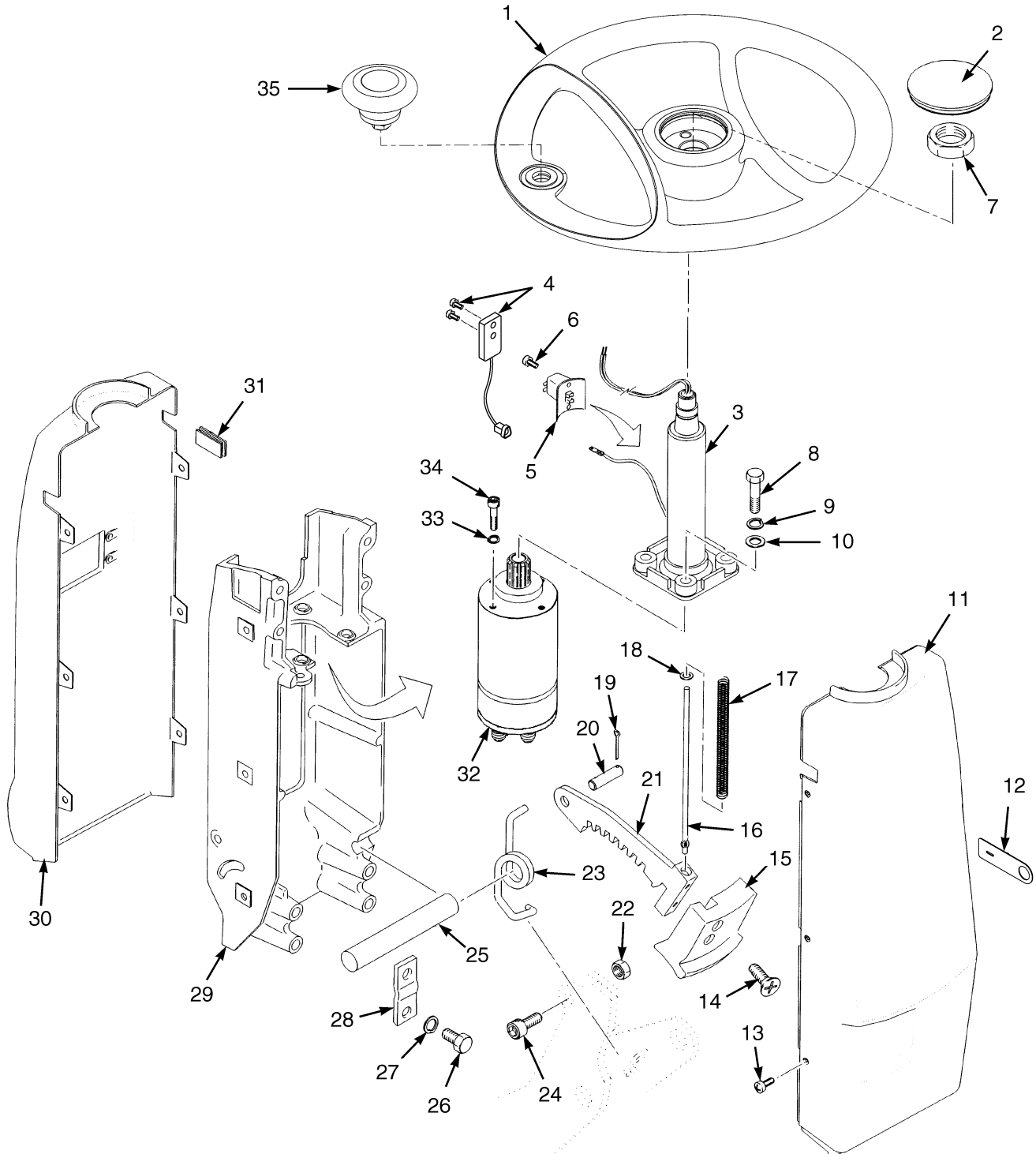
STEER CYLINDER (FIGURE 4-2)



BP220114

ITEM	PART NO.	DESCRIPTION	QTY
	2314121	Steering Cylinder	1
1	1367169	Tube Weldment	1
2	2314125	Rod Assy	1
3	1367171	Guide	2
4	Dust Seal	2
5	Packing	2
6	O-Ring	2
7	O-Ring	2
8	Piston Seal	2
9	Snap Ring	2
10	Bush Rod	2
11	2022923	Bushing	2
	2026822	Kit-Seal	1

STEERING COLUMN ASSEMBLY (FIGURE 4-3) MONOTROL



YP220208

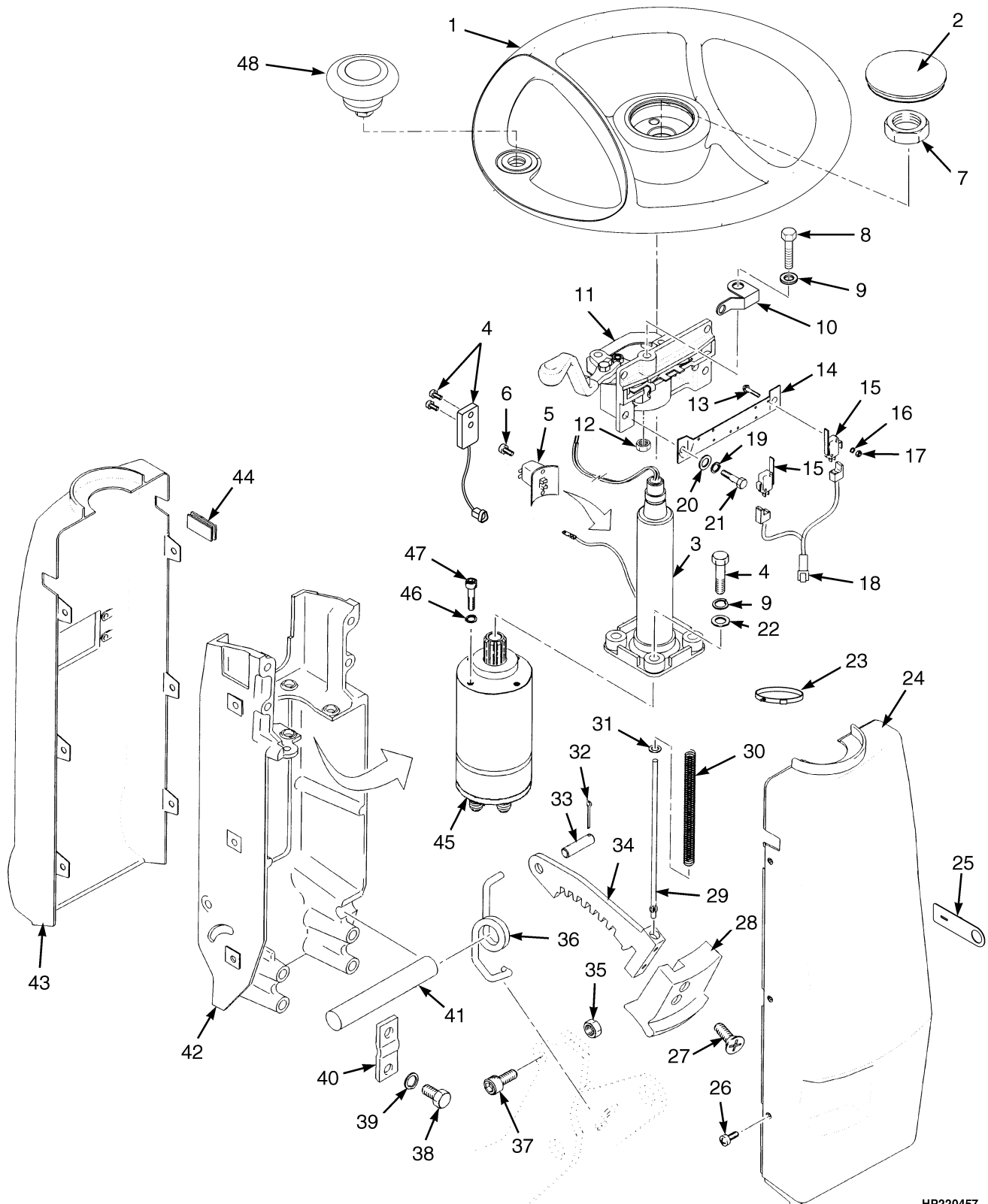
**STEERING COLUMN ASSEMBLY
MONOTROL**

ITEM	PART NO.	DESCRIPTION	QTY
	Steering Column Assembly	1
1	1531563	Steering Wheel (With Spinner)	1
1	1551839	Steering Wheel (Without Spinner Knob)	1
1	1586109	Knob Assembly	1
2	a 1450503	Horn Button	1
3	2045129	Steering Column	1
4	1504125	Sensor (Includes Screws)	1
5	1391205	Kit-Horn	1
6	1539363	Rivet	2
7	345423	Nut	1
8	16815	Capscrew	4
9	15156	Lockwasher	4
10	15134	Washer	4
11	2065987	Cover (Lower)	1
12	1520609	Static Strap	1
13	1337196	Screw	6
14	296215	Capscrew	2
15	1343574	Handle Grip (Latch)	1
16	1343572	Rod	1
17	1343537	Spring	1
18	320155	Washer	1
19	15212	Cotter Pin	1
20	1343607	Pin	1
21	1364271	Latch	1
22	302400	Nut	1
23	1378600	Spring	1
24	296010	Capscrew	1
25	1335987	Shaft	1
26	136749	Screw	4
27	292681	Lockwasher	4
28	1335967	Plate	2
29	1343573	Bracket	1
30	2065986	Cover (Upper)	1
31	1343597	Plug	1
32	1453181	Steering Pump (☞ Figure 4-5).....	1
33	293779	Lockwasher	4
34	293762	Capscrew	4
35	895468	Wheelspinner	1

FOOTNOTES:

a Service with Horn Replacement Kit 1642089

STEERING COLUMN ASSEMBLY (FIGURE 4-4) FORWARD AND REVERSE LEVER



HP220457

**STEERING COLUMN ASSEMBLY
FORWARD AND REVERSE LEVER**

ITEM	PART NO.	DESCRIPTION	QTY
	Steering Column Assembly	1
1	1531563	Steering Wheel (With Spinner)	1
1	1551839	Steering Wheel (Without Spinner Knob)	1
2	a 1450503	Horn Button	1
3	2045129	Steering Column	1
4	1504125	Sensor (Includes Screws)	1
5	1391205	Kit-Horn	1
6	1539363	Rivet	2
7	345423	Nut	1
8	16815	Capscrew	4
9	15156	Lockwasher	4
10	1573121	Bracket	1
11	1347004	Lever Assembly (☞ Figure 4-10).....	1
12	15086	Nut	1
13	220426	Screw	4
14	1343595	Plate	1
15	1498406	Switch	2
16	53162	Lockwasher	8
17	16865	Nut	4
18	2046756	Wire Harness (Shift Lever) (☞ Figure 2-26).....	1
19	292680	Washer	4
20	320156	Washer	4
21	292501	Capscrew	4
22	15134	Washer	4
23	137852	Strap Clamp	1
24	2065987	Cover (Lower)	1
25	1520609	Static Strap	1
26	1337196	Screw	6
27	296215	Capscrew	2
28	1343574	Handle Grip (Latch)	1
29	1343572	Rod	1
30	1343537	Spring	1
31	320155	Washer	1
32	15212	Cotter Pin	1
33	1343607	Pin	1
34	1364271	Latch	1
35	302400	Nut	1
36	1378600	Spring	1
37	296010	Capscrew	1
38	136749	Screw	4
39	292681	Lockwasher	4
40	1335967	Plate	2
41	1335987	Shaft	1
42	1343573	Bracket	1
43	2065986	Cover (Upper)	1
44	1343597	Plug	1
45	1453181	Steering Pump (☞ Figure 4-5).....	1
46	293779	Lockwasher	4
47	293762	Capscrew	4

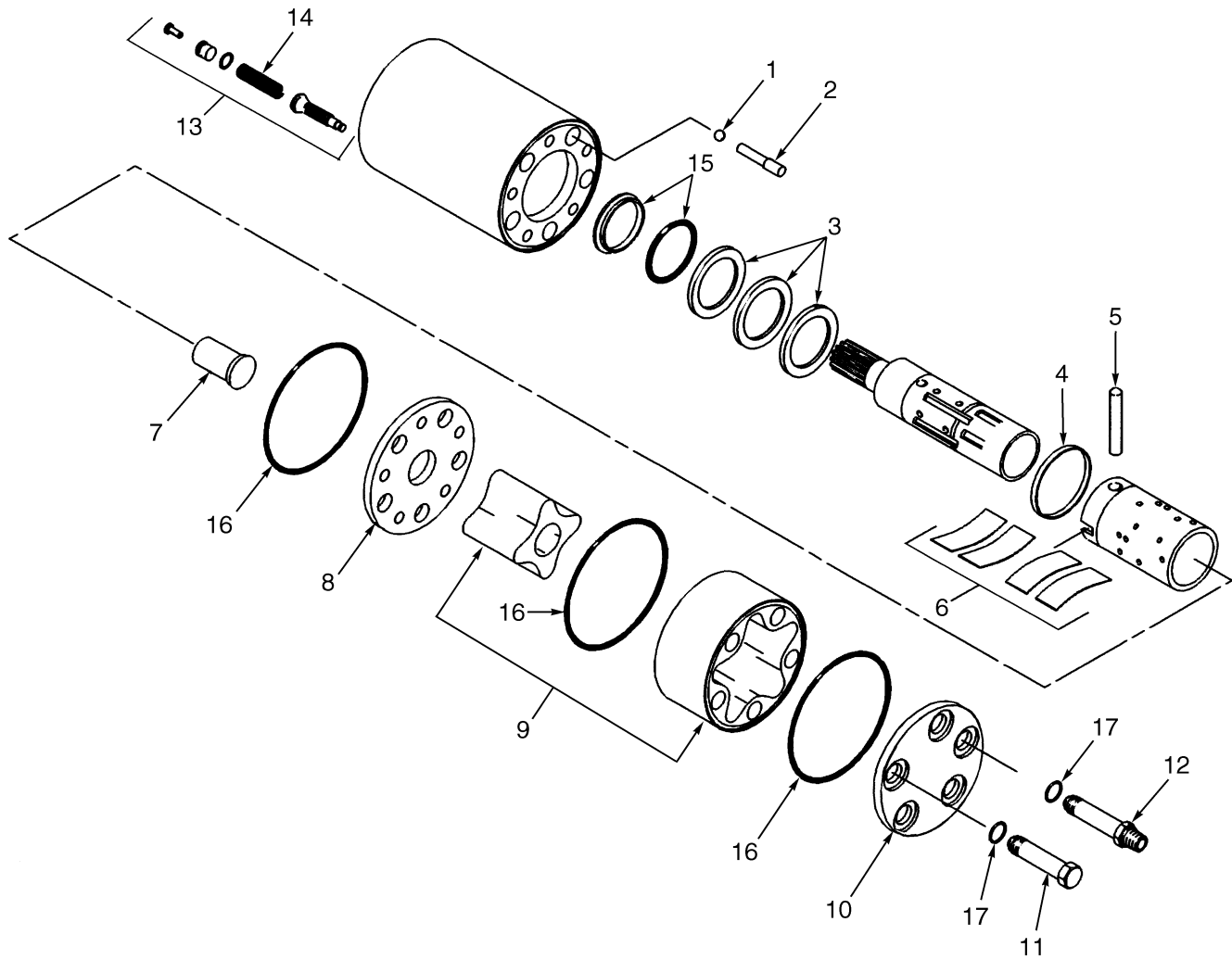
**STEERING COLUMN ASSEMBLY
FORWARD AND REVERSE LEVER**

ITEM	PART NO.	DESCRIPTION	QTY
48	1586109	Knob Assembly	1

FOOTNOTES:

- a Service with Horn Replacement Kit 1642089

STEER PUMP ASSEMBLY (FIGURE 4-5)

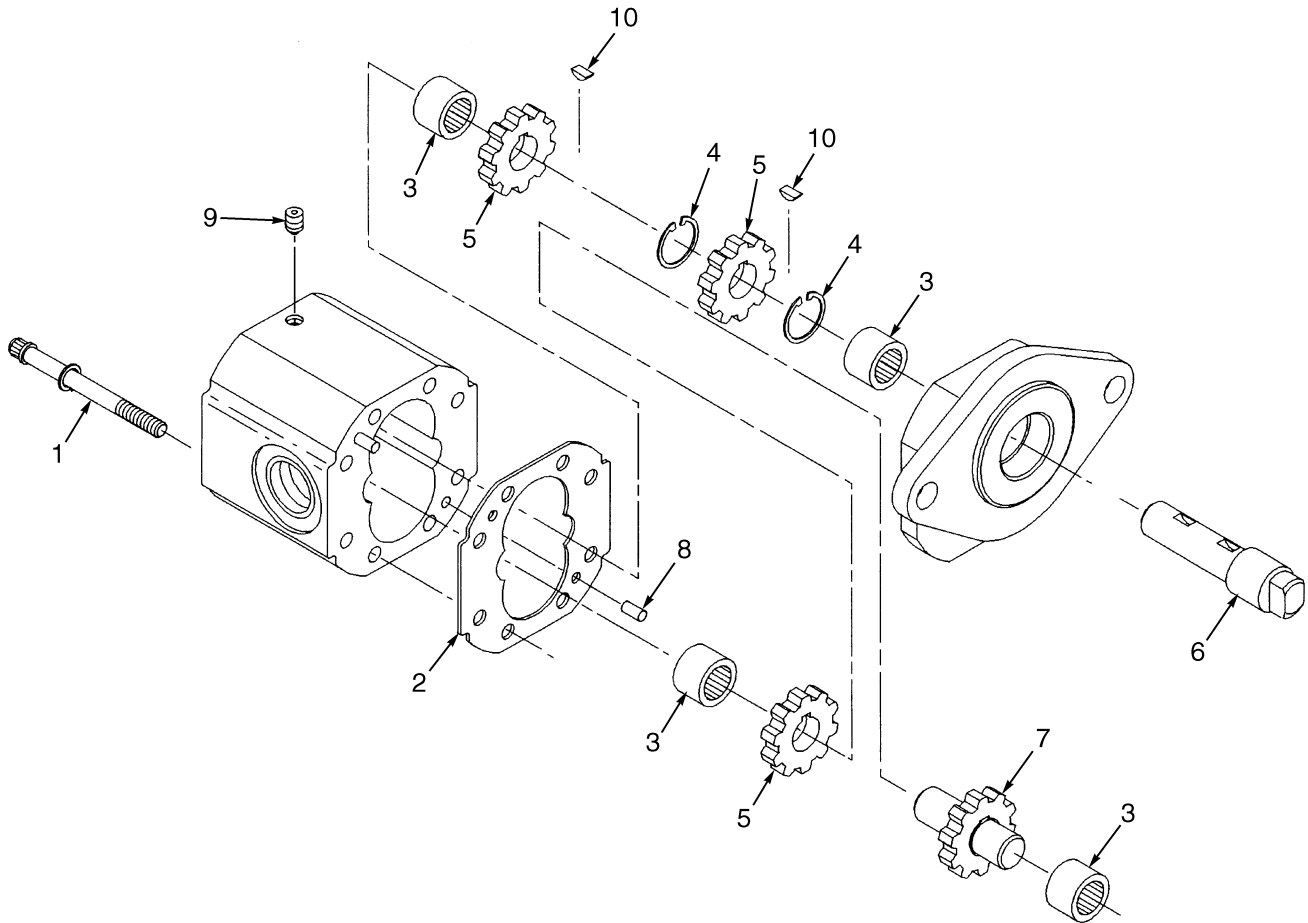


BP220023

STEER PUMP ASSEMBLY

ITEM	PART NO.	DESCRIPTION	QTY
	1453181	Steering Pump	1
1	1355335	Ball	1
2	Ball Stop	1
3	1451697	Bearing	1
4	1455770	Ring	1
5	1451698	Pin (Cross)	1
6	1455771	Kit-Spring	1
7	Spacer	1
8	1451703	Plate	1
9	Gear Set	1
10	End Cover	1
11	1455774	Screw	1
12	1455775	Screw	4
13	Relief Valve	1
14	1455777	Spring	1
15	Dust Seal	1
16	O-Ring	3
17	O-Ring	5
	1467430	Kit-Seal	1

GEAR PUMP ASSEMBLY (FIGURE 4-6)

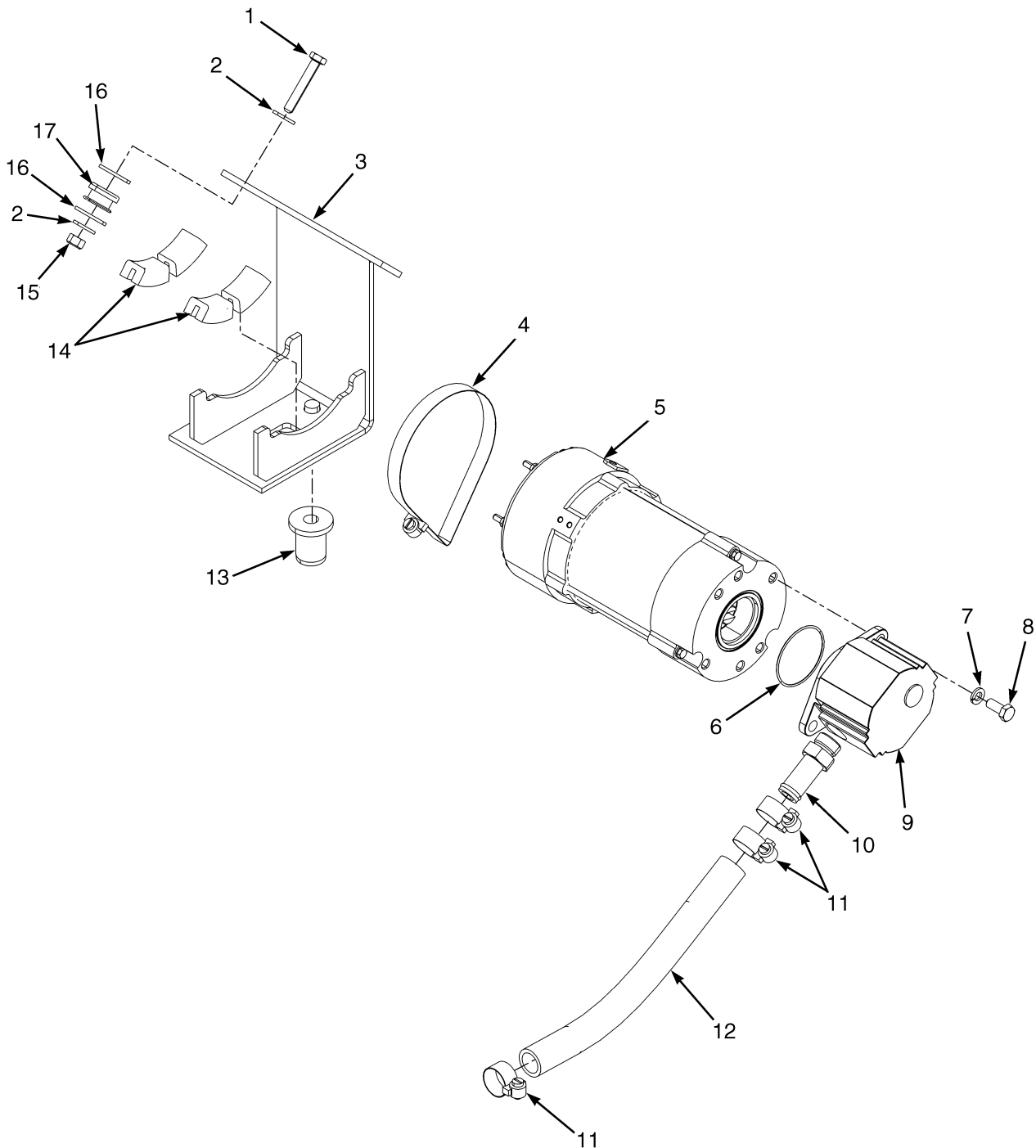


BP220030

GEAR PUMP ASSEMBLY

ITEM	PART NO.	DESCRIPTION	QTY
	2033614	Gear Pump	1
1	1452459	Screw	8
2	2034266	Kit-Gasket	1
3	354669	Needle Bearing	4
4	358072	Snap Ring	2
5	358069	Gear	3
6	1309877	Drive Shaft	1
7	2034265	Drive Shaft	1
8	354671	Pin	2
9	358076	Plug	1
10	358073	Key	2

STEER MOTOR AND ATTACHING PARTS (FIGURE 4-7)

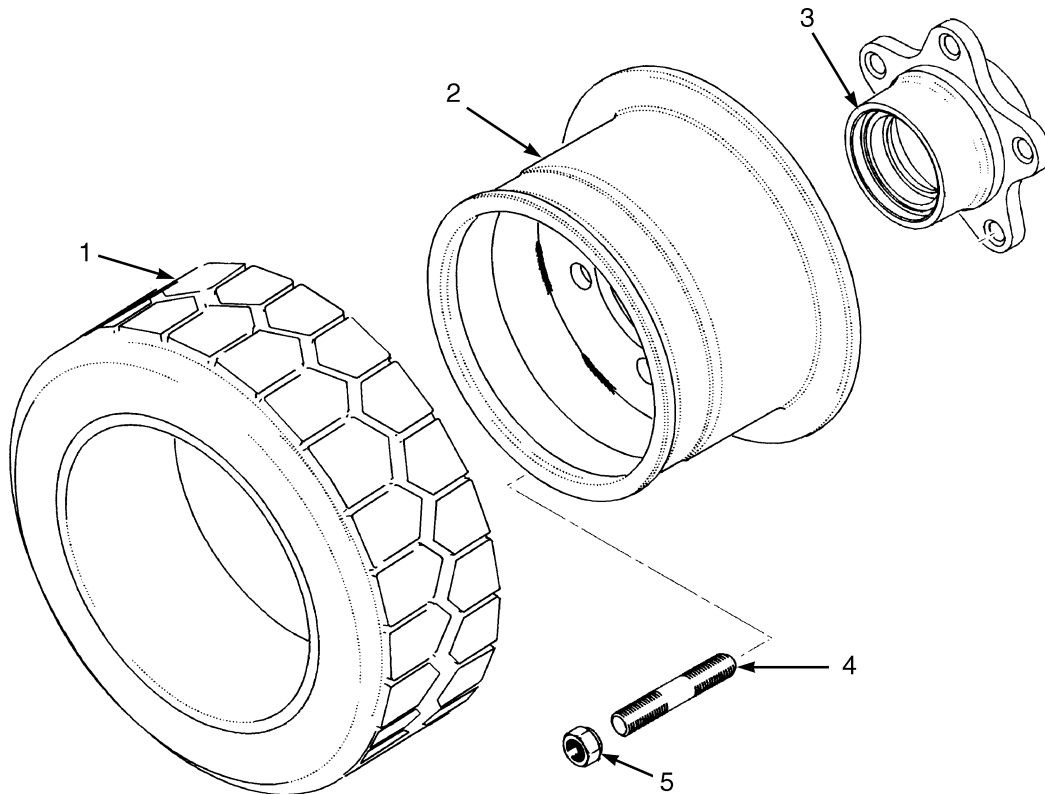


HP220464

STEER MOTOR AND ATTACHING PARTS

ITEM	PART NO.	DESCRIPTION	QTY
1	292508	Capscrew	2
2	320158	Washer	4
3	1543935	Bracket Wldmt	1
4	227220	Clamp	1
5	2048105	Steering Motor (Brushless, DC)	1
6	39362	O-Ring	1
7	292681	Lockwasher	2
8	136681	Capscrew	2
9	2033614	Gear Pump (☞Figure 4-6).....	1
10	186227	Fitting	1
10	16485	O-Ring	1
11	130845	Clamp	3
12	240931	Hose	1
13	373875	Grommet	1
14	2026802	Strip Seal	4
15	313828	Nut	2
16	1356113	Washer	4
17	317594	Motor Mount	2

STEER TIRE AND WHEEL (FIGURE 4-8) SOLID PNEUMATIC — SNAP-IN TIRE



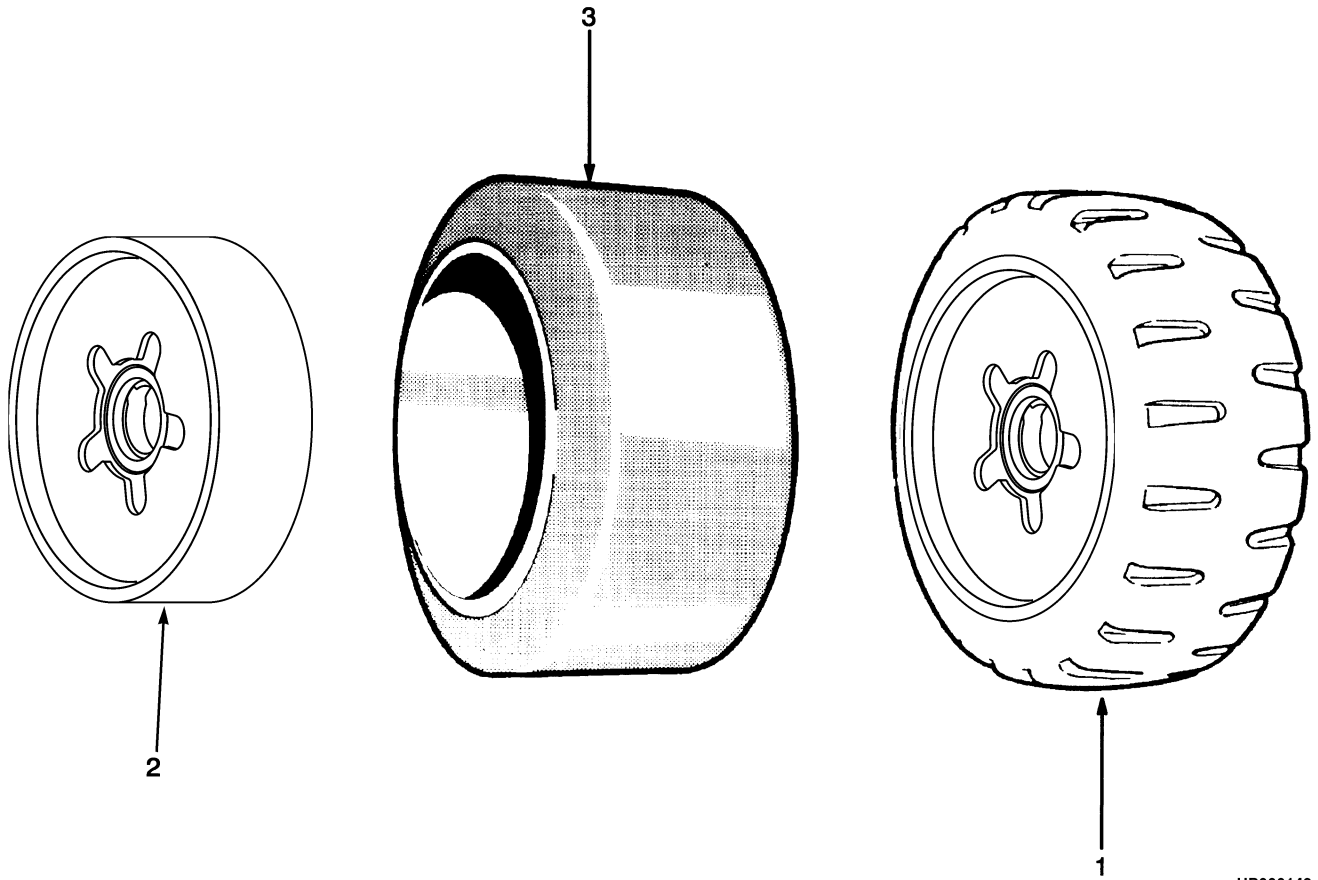
HP220465

ITEM	PART NO.	DESCRIPTION	QTY
1	2035598	Solid Pneumatic Tire (Standard)	2
1	2083377	Solid Pneumatic Tire (Non-Marking)	2
2	1461643	Wheel	2
3	2023752	Hub	2
4	305326	Wheel Stud	10
5	302977	Wheel Nut	10
	a 264134	Loctite	AR

FOOTNOTES:

a Not Illustrated

**STEER TIRE AND WHEEL (FIGURE 4-9)
CUSHION**



HP000142

KEY:

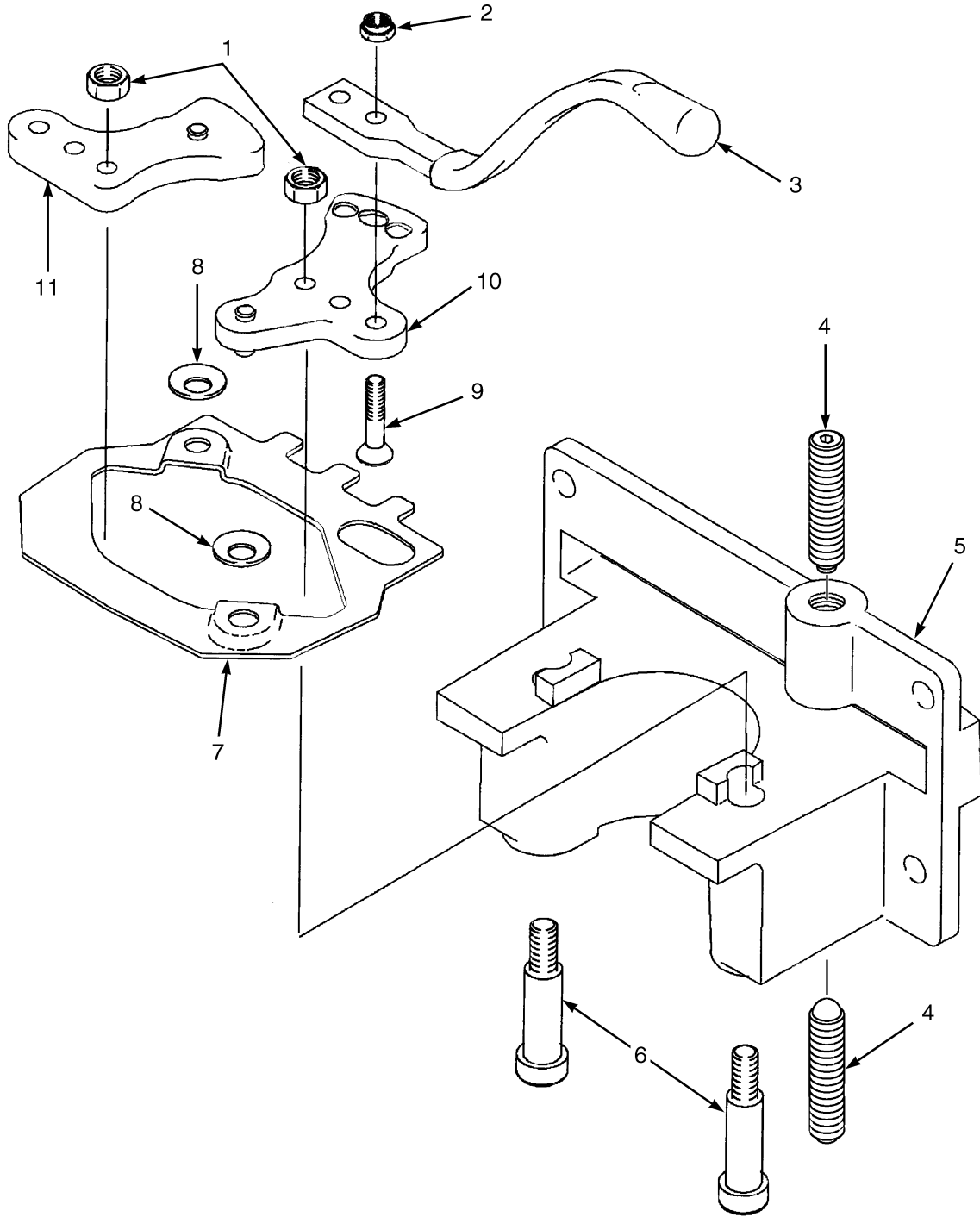
- A: 14 x 4.5 x 8, Smooth Tread**
- B: 15 x 5 x 11.25, Lug Tread**

ITEM	PART NO.	DESCRIPTION	QTY	
			A	B
	2023687	Wheel and Tire (Standard)	2	..
	2023690	Wheel and Tire (Polyurethane)	2	..
	1655303	Wheel and Tire (Non-Marking)	2	..
	2023688	Wheel and Tire (Lug)	2	..
	1616161	Wheel and Tire (Non-Marking)	2
	2023691	Wheel and Tire (Standard)	2	..
	2023694	Wheel and Tire (Polyurethane)	2	..
	2023693	Wheel and Tire (Non-Marking)	2	..
	2023692	Wheel and Tire (Standard)	2
	1616164	Wheel and Tire (Non-Marking)	2
1	806973	Cushion Tire (Standard)	1
1	2083384	Cushion Tire (Non-Marking)	1
1	2023591	Cushion Tire (Standard)	1
1	2083385	Cushion Tire (Non-Marking)	1
2	2023695	Wheel	1	1
2	2023696	Wheel	1	1
3	806221	Cushion Tire (Standard)	1	..

KEY:**A: 14 x 4.5 x 8, Smooth Tread****B: 15 x 5 x 11.25, Lug Tread**

ITEM	PART NO.	DESCRIPTION	QTY	
			A	B
3	237191	Cushion Tire (Polyurethane)	1	..
3	1655302	Cushion Tire (Non-Marking)	1	..
3	2023590	Cushion Tire (Standard)	1	..
3	2023588	Cushion Tire (Polyurethane)	1	..
3	2023589	Cushion Tire (Non-Marking)	1	..

SHIFT LEVER (FIGURE 4-10)



HP220456

SHIFT LEVER

ITEM	PART NO.	DESCRIPTION	QTY
	1347004	Lever Assembly	1
1	136687	Nut	2
2	302398	Locknut	2
3	1343593	Lever	1
4	1491830	Spring	2
5	1343577	Base	1
6	1343594	Bolt	2
7	1343578	Link	1
8	1354300	Spring Washer	4
9	296205	Screw	2
10	1343579	Crank	1
11	1343598	Crank	1

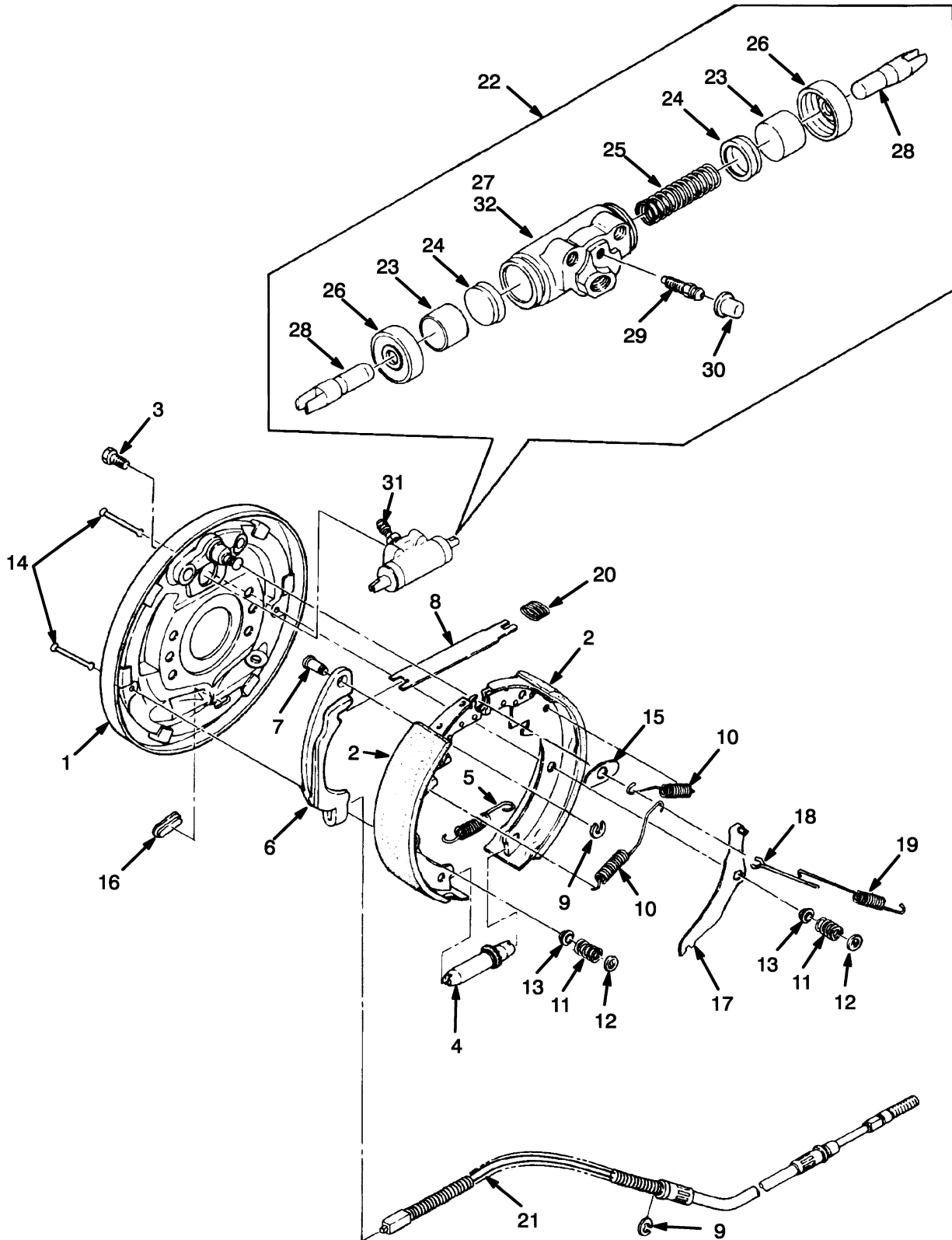
5

BRAKE/ACCELERATOR SYSTEM

SECTION 5 BRAKE/ACCELERATOR SYSTEM

DESCRIPTION	PAGE
ACCELERATOR PEDAL AND ATTACHING PARTS	5-18
ACCELERATOR PEDAL ASSEMBLY	
FORWARD AND REVERSE LEVER	5-14
MONOTROL	5-16
BRAKE ASSEMBLY	5-2
BRAKE MASTER CYLINDER	5-8
BRAKE PEDAL AND ATTACHING PARTS	5-6
PARK BRAKE	
LEVER-ACTUATED	5-10
PARK BRAKE LEVER ASSEMBLY	5-13
SWITCH ASSEMBLY	
ACCELERATOR PEDAL - MONOTROL	5-20

BRAKE ASSEMBLY (FIGURE 5-1)



HP040082

BRAKE ASSEMBLY**KEY:****A: Left Hand****B: Right Hand**

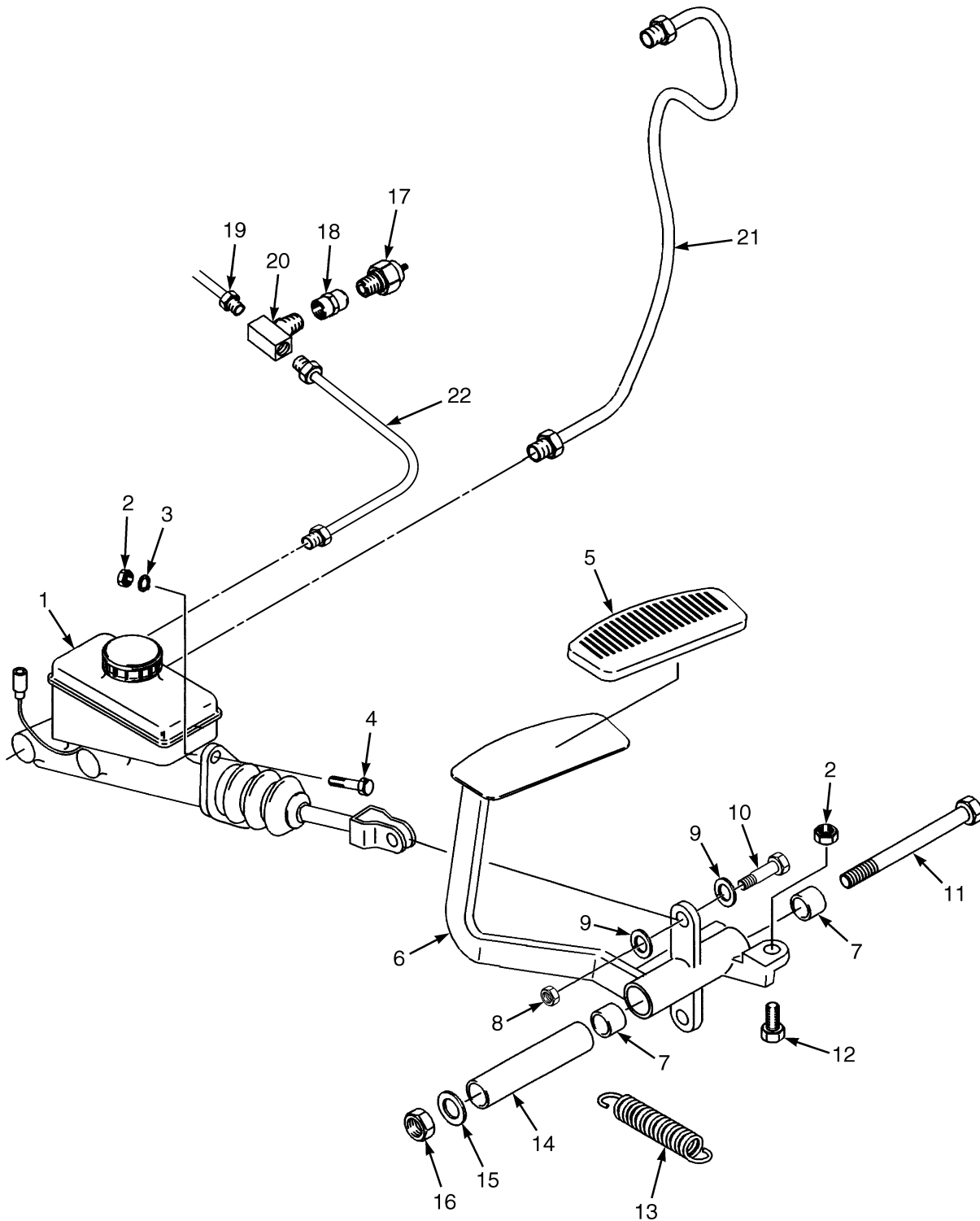
ITEM	PART NO.	DESCRIPTION	QTY	
			A	B
	2026763	Brake Assembly	1	..
	1593917	Brake Assembly (LH) (Without Cable)	1	..
	2026764	Brake Assembly	1
	1593918	Brake Assembly (RH) (Without Cable)	1
1	2026773	Backplate	1
1	2026774	Backplate	1	..
2	Brake Shoe	2	2
3	2026776	Bolt	2	2
4	Adjuster Assembly	1
4	Adjuster Assembly	1	..
5	Adjuster Spring	1	1
6	2026777	Lever (RH)	1
6	2026778	Lever (LH)	1	..
7	2026779	Pin	1	1
8	2026780	Strut	1	1
9	2026781	Retaining Ring	2	2
10	2026782	Spring	2	2
11	Shoe Hold Down Spring	2	2
12	Washer	2	2
13	Washer (Lower)	1	1
14	Pin	2	2
15	1593919	Wear Plate	1	1
16	1367855	Plug	1	1
17	Lever	1
17	Lever	1	..
18	Stop (Lever)	1	1
19	Spring	1	1
20	2026783	Spring	1	1
21	2023771	Parking Brake Cable	1
21	2023772	Parking Brake Cable	1	..
22	2026775	Wheel Cylinder	1	1
23	Piston	2	2
24	Cup	2	2
25	Spring	1	1
26	Boot	2	2
27	Dust Cover	2	2
28	2045884	Piston Rod	2	2
29	1367870	Bleeder Screw	1	1
30	1367871	Cup	1	1
31	Plug	1	1
32	Cylinder Body	1	1
	2026787	Kit-Brake Shoe	1	1
	2026784	Kit-Adjuster	1	..
	2026785	Kit-Adjuster	1
	2026786	Kit-Hold Down	1	1

BRAKE ASSEMBLY

KEY:**A:** Left Hand**B:** Right Hand

ITEM	PART NO.	DESCRIPTION	QTY	
			A	B
	1367876	Kit-Repair Wheel Cylinder	1	1

BRAKE PEDAL AND ATTACHING PARTS (FIGURE 5-2)

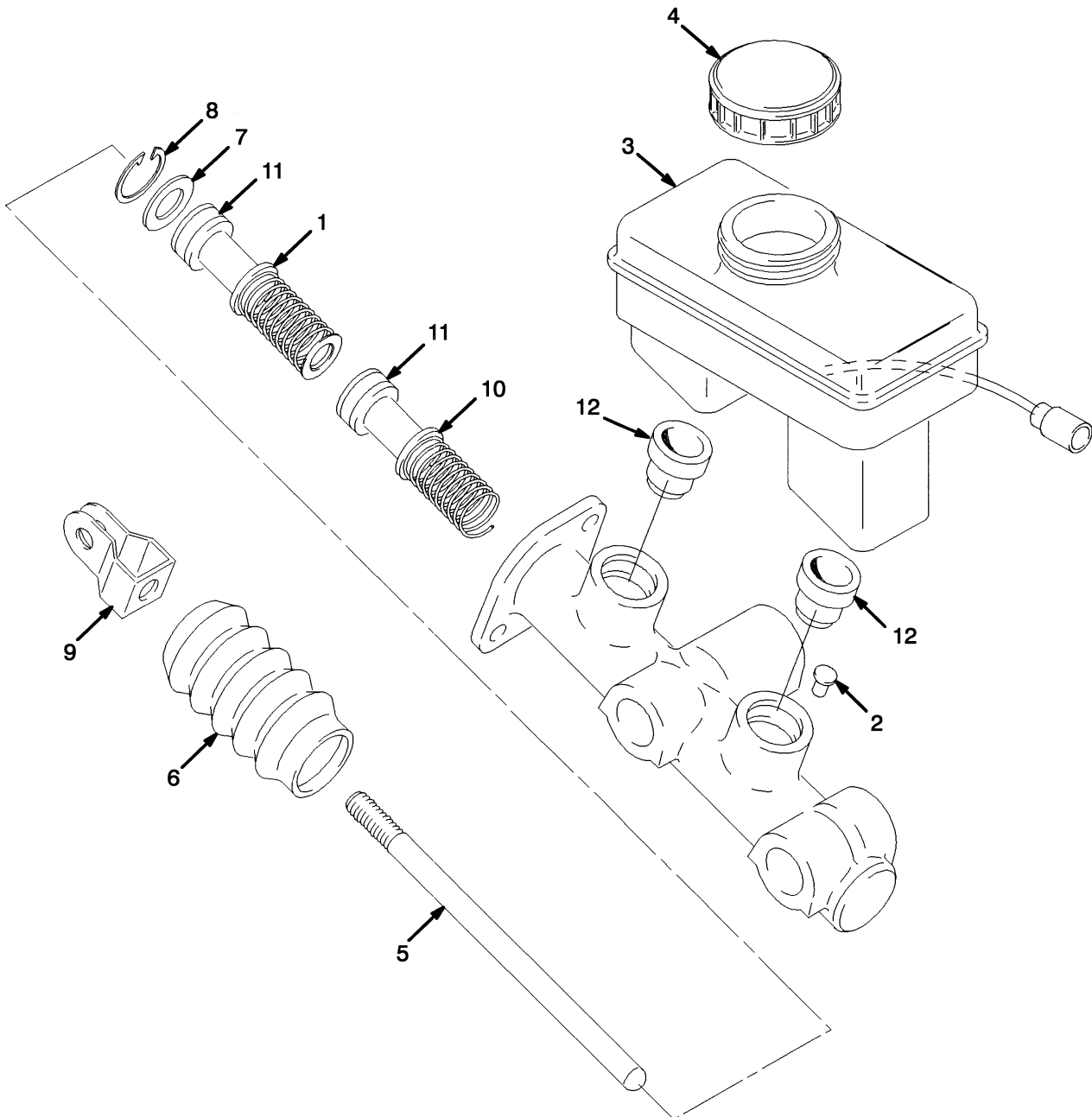


HP040439

BRAKE PEDAL AND ATTACHING PARTS

ITEM	PART NO.	DESCRIPTION	QTY
1	1347048	Master Cylinder (☞Figure 5-3).....	1
2	136692	Nut	3
3	388049 292682	Lockwasher	2
4	287860	Capscrew	2
5	1343630	Rubber Pad	1
6	1389330	Brake Pedal	1
6	1389329	Pedal	1
7	66359	Bushing	2
8	302400	Nut	1
9	320159	Washer	4
10	1398007	Bolt	1
11	292576	Capscrew	1
12	136985	Capscrew	1
13	1340998	Spring	1
14	1340979	Tube Assy	1
15	15180	Washer	1
16	316828	Nut	1
17	387867	Pressure Switch	1
18	17829	Fitting	1
19	1636549	Tube Assy	1
20	14899	Fitting	1
20	16480	O-Ring	1
21	2026848	Tube Assy (LH)	1
22	878834	Tube Assy (RH)	1

BRAKE MASTER CYLINDER (FIGURE 5-3)

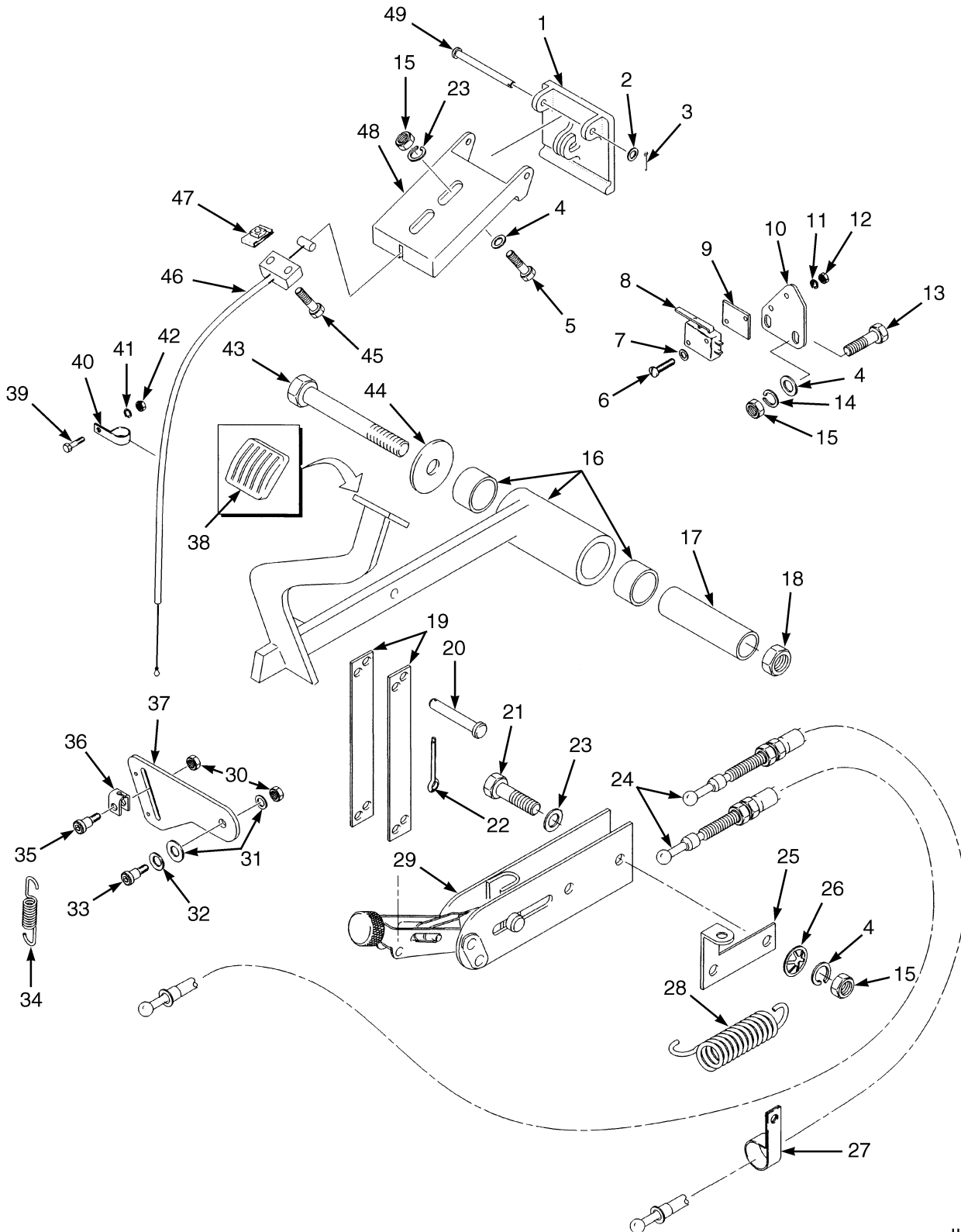


YP040065

BRAKE MASTER CYLINDER

ITEM	PART NO.	DESCRIPTION	QTY
	1347048	Master Cylinder	1
1	1357197	Piston (Secondary)	1
2	1324029	Pin	1
3	1357199	Reservoir	1
4	1324048	Cap	1
5	1357201	Push Rod	1
6	1324040	Dust Cover	1
7	1324041	Lockwasher	1
8	1324042	Snap Ring	1
9	1324035	Clevis	1
10	1357196	Piston (Primary)	1
11	Seal	2
12	Seal	2
	1355305	Kit-Seal	1

PARK BRAKE (FIGURE 5-4) LEVER-ACTUATED



HP040279

**PARK BRAKE
LEVER-ACTUATED**

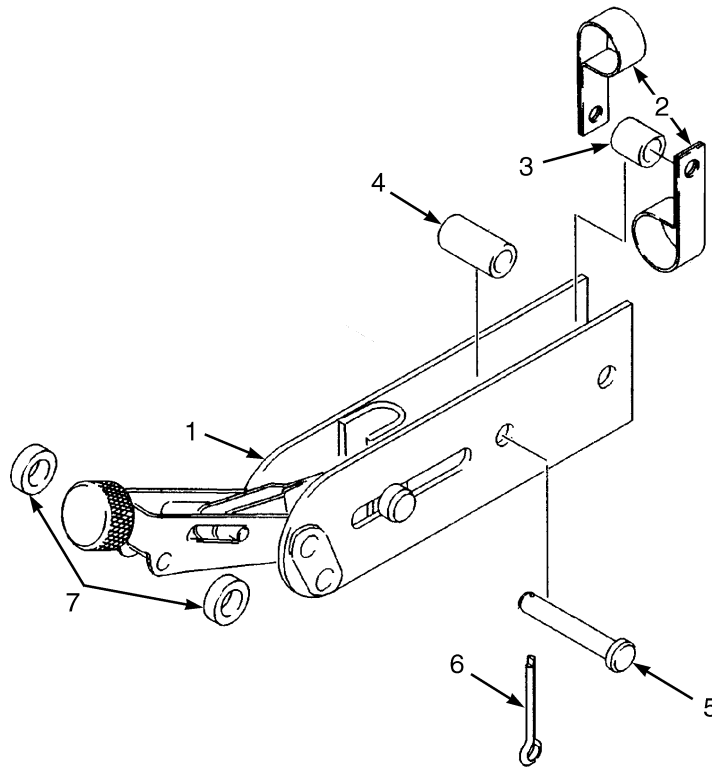
ITEM	PART NO.	DESCRIPTION	QTY
1	1531210	Handle	1
1	4014808	Handle (Alternate Part)	1
2	15172	Washer	1
3	15200	Cotter Pin	1
4	320157	Washer	4
5	296168	Capscrew	2
6	220428	Screw	2
7	197064	Washer	2
8	1498407	Switch	1
9	374160	Insulator	1
10	1383180	Plate	1
11	53162	Lockwasher	2
12	16865	Nut	2
13	136749	Screw	2
14	320158	Washer	3
14	320158	Washer (Alternate Part)	1
15	239503	Nut	6
16	1582354	Brake Pedal	1
16	1581883	Pedal	1
16	66359	Bushing	2
17	1340493	Tube Assy	1
18	316828	Nut	1
19	1377661	Bar	2
20	1340687	Pin	2
21	136704	Capscrew	2
22	15212	Cotter Pin	2
23	292681	Lockwasher	6
24	2023772	Parking Brake Cable (LH)	1
24	2023771	Parking Brake Cable (RH)	1
25	1383179	Bracket	1
26	1337017	Retainer	2
27	325804	Clamp	1
28	1383178	Spring	1
29	1383192	Parking Brake Lever (☞ Figure 5-5).....	1
30	145639	Locknut	1
31	15134	Washer	2
32	375984	Spring Washer	1
33	1477079	Capscrew	1
34	1340685	Spring	1
35	391665	Bolt	1
36	1462463	Bracket	1
36	4016004	Bracket (Alternate Part)	1
37	1627418	Plate	1
38	182115	Pad	1
39	18697	Capscrew	1
40	1470687	Clamp	1
40	183550	Clamp (Alternate Part)	1
41	15163	Lockwasher	1
42	15039	Nut	1
43	292575	Capscrew	1

**PARK BRAKE
LEVER-ACTUATED**

ITEM	PART NO.	DESCRIPTION	QTY
44	15180	Washer	1
45	292502	Capscrew	2
46	1462535	Parking Brake Cable	1
46	4016003	Parking Brake Cable (Alternate Part)	1
47	1354323	Nut (Foldover)	2
48	1531211	Bracket	1
48	4016002	Bracket (Alternate Part)	1
49	1462909	Pin	1
	a 4015874	Spring Washer (Alternate Part)	1
	4017152	Kit-Park Brake (Handle and Cable Replacement)	1

FOOTNOTES:**a** Not Illustrated

PARK BRAKE LEVER ASSEMBLY (FIGURE 5-5)



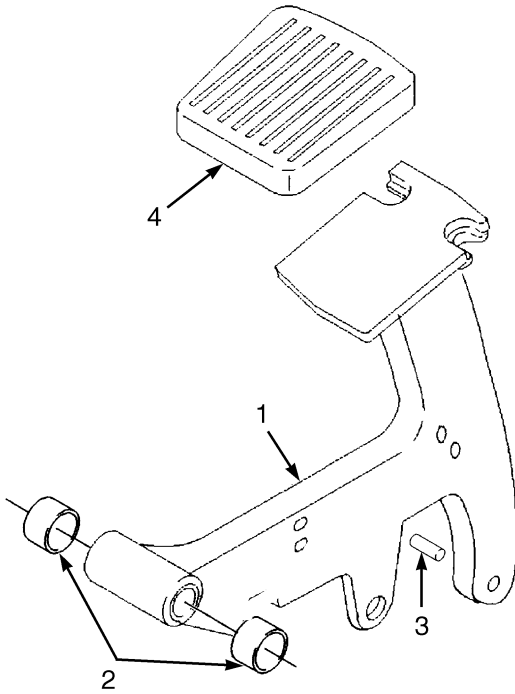
HP040443

ITEM	PART NO.	DESCRIPTION	QTY
1	1383192	Parking Brake Lever	1
2	1331002	Clamp	2
3	1330998	Spacer	1
4	1330999	Spacer	1
5	1333572	Pin	1
6	15200	Cotter Pin	1
7	1375036	Spacer	2
	a 1331005	Washer	1

FOOTNOTES:

a Not Illustrated

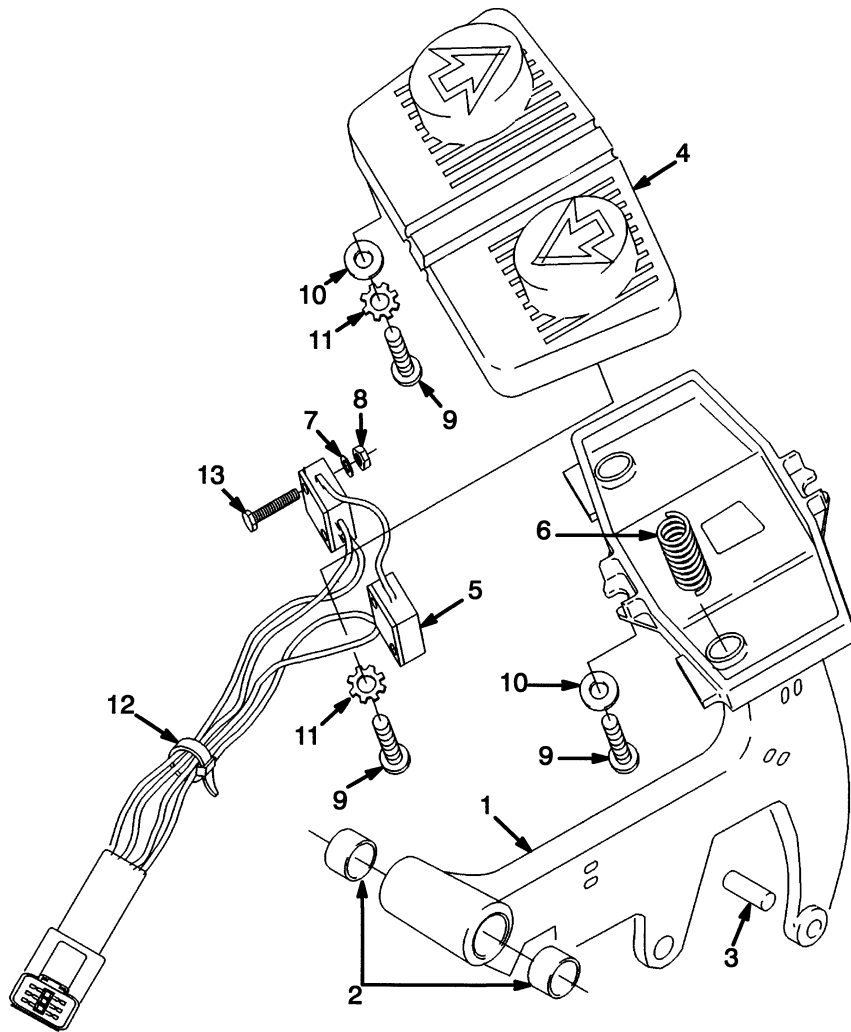
ACCELERATOR PEDAL ASSEMBLY (FIGURE 5-6) FORWARD AND REVERSE LEVER



HP040444

ITEM	PART NO.	DESCRIPTION	QTY
	1340988	Accelerator Pedal	1
1	1340976	Pedal	1
2	368618	Bushing	2
3	310436	Pin	1
4	352885	Rubber Pad	1

ACCELERATOR PEDAL ASSEMBLY (FIGURE 5-7) MONOTROL

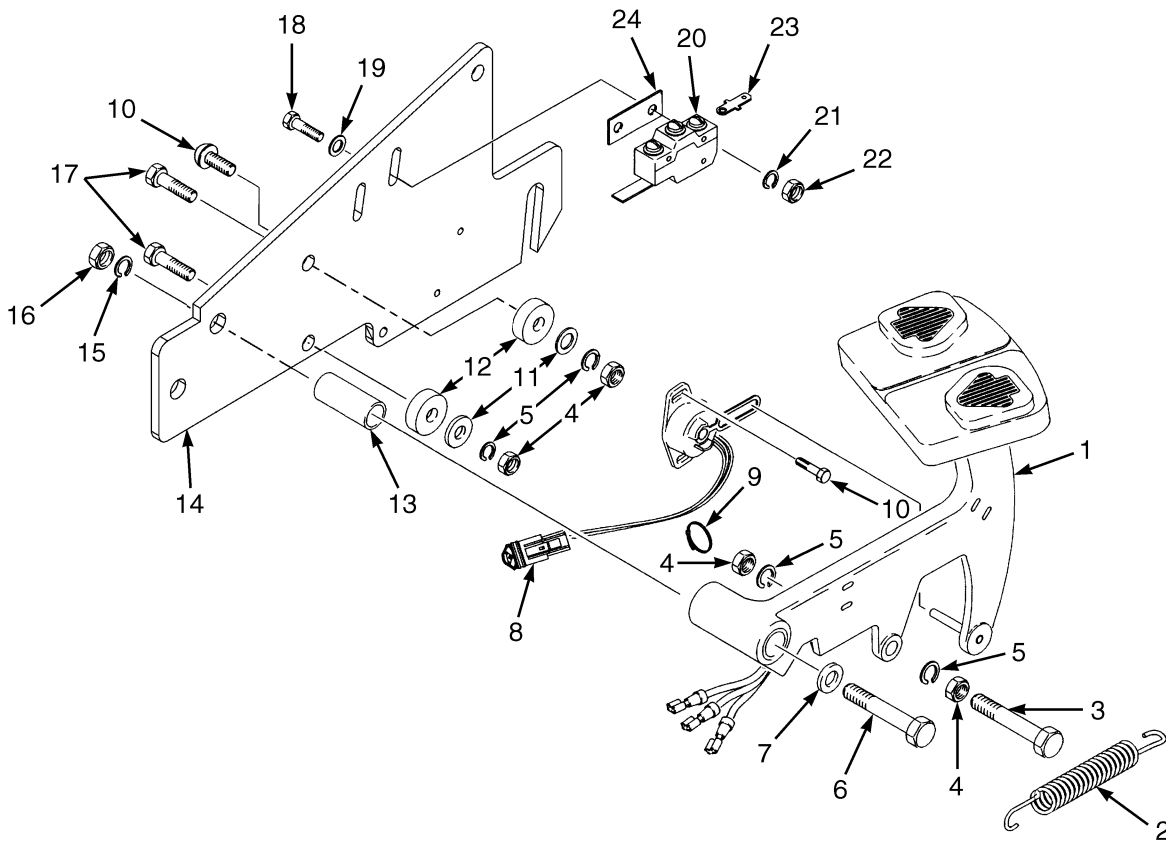


HP040445

**ACCELERATOR PEDAL ASSEMBLY
MONOTROL**

ITEM	PART NO.	DESCRIPTION	QTY
	1377414	Monotrol Pedal	1
1	1340975	Pedal	1
2	368618	Bushing	2
3	310436	Pin	1
4	1340470	Pad	1
5	1475250	Switch (☞ Figure 5-9).....	1
6	325699	Spring	2
7	53162	Lockwasher	4
8	16865	Nut	4
9	16708	Screw	4
10	362036	Washer	2
11	15931	Lockwasher	4
12	114312	Strap Clamp	3
13	220428	Screw	4

ACCELERATOR PEDAL AND ATTACHING PARTS (FIGURE 5-8)



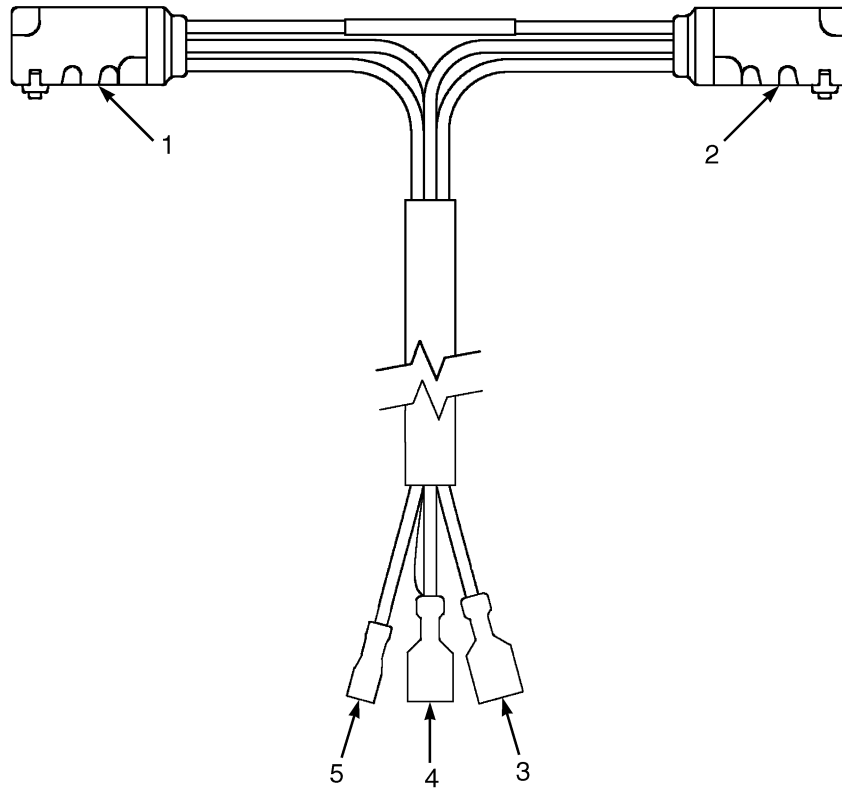
BP040066

ACCELERATOR PEDAL AND ATTACHING PARTS

ITEM	PART NO.	DESCRIPTION	QTY
	1520452	Accelerator Control (Monotrol Pedal)	1
	a 1520453	Accelerator Control (Forward and Reverse Lever)	1
1	1377414	Monotrol Pedal (☞Figure 5-7).....	1
1	1340988	Accelerator Pedal (Forward and Reverse Lever) (☞Figure 5-6).....	1
2	1340989	Spring	1
3	214364	Capscrew	1
4	239503	Nut	4
5	292681	Lockwasher	3
6	292521	Capscrew	2
7	320159	Washer	3
8	1354990	Sensor	1
9	114312	Strap Clamp	1
10	302026	Screw	2
11	320157	Washer	2
12	1580129	Stop	2
13	1340985	Tube Assy	1
14	1592658	Bracket	1
15	388049		
	292682	Lockwasher	3
16	136692	Nut	3
17	176640	Bolt	2
18	220312	Screw	2
19	197066	Washer	4
20	1628739	Switch (Accelerator Control)	1
21	15163	Lockwasher	2
22	15039	Nut	2
23	325799	Terminal	1
24	915474	Insulator	1
	a 296415	Washer	1
	a 815597	Nut	1

FOOTNOTES:**a** Not Illustrated

SWITCH ASSEMBLY (FIGURE 5-9) ACCELERATOR PEDAL — MONOTROL



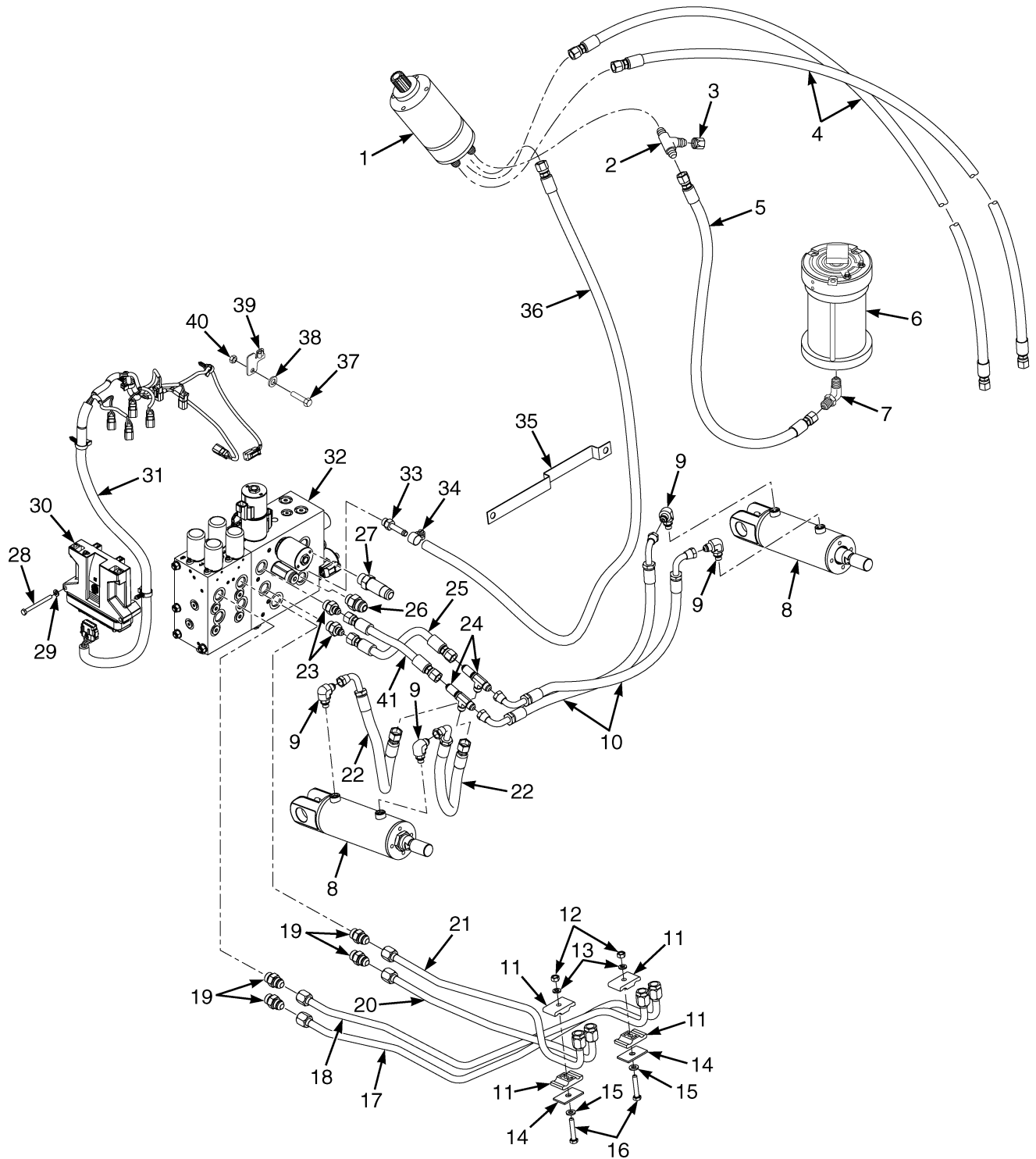
HP040441

ITEM	PART NO.	DESCRIPTION	QTY
	1475250	Switch	1
1	1468471	Switch (Forward)	1
2	1475249	Switch (Reverse)	1
3	1306270	Terminal (White)	1
4	1310143	Terminal (Red)	1
5	1306271	Terminal (Blue)	1

SECTION 6 HYDRAULIC SYSTEM

DESCRIPTION	PAGE
AUXILIARY SECTION	
HIGH FLOW - ELECTRONIC HYDRAULIC CONTROL VALVE	6-46
STANDARD FLOW - ELECTRONIC HYDRAULIC CONTROL VALVE	6-44
CONTROL VALVE	
MANUAL HYDRAULICS - THREE FUNCTION (→ S/N F114A02390G)	6-10
MANUAL HYDRAULICS - FOUR FUNCTION (→ S/N F114A02390G)	6-14
CONTROL VALVE ATTACHING PARTS	
ELECTRONIC HYDRAULICS	6-48
MANUAL HYDRAULICS	6-18
ELECTRONIC HYDRAULIC CONTROL VALVE	
HYDRAULIC CONTROL VALVE	
AUXILIARY OR AUXILIARY TWO SECTION - MANUAL WITH OPERATOR	
PRESENCE (S/N F114B01501G →)	6-34
AUXILIARY SECTION (FOUR FUNCTION) - MANUAL WITH OPERATOR	
PRESENCE (S/N F114B01501G →)	6-36
INLET SECTION - MANUAL WITH OPERATOR PRESENCE (S/N F114B01501G →)	6-26
LIFT SECTION - MANUAL WITH OPERATOR PRESENCE (S/N F114B01501G →)	6-28
MAIN RELIEF VALVE - MANUAL WITH OPERATOR PRESENCE (S/N R114B01501G →)	6-27
OPERATOR PRESENCE SYSTEM COMPONENTS - MANUAL WITH OPERATOR	
PRESENCE (S/N F114B01501G →)	6-24
SECONDARY RELIEF VALVE - MANUAL WITH OPERATOR PRESENCE (S/N F114B01501G →)	6-30
TILT SECTION - MANUAL WITH OPERATOR PRESENCE (S/N F114B01501G →)	6-32
HYDRAULIC CONTROL VALVE ASSEMBLY	
MANUAL WITH OPERATOR PRESENCE (S/N F114B01501G →)	6-22
HYDRAULIC FILTER	
HYDRAULIC GEAR PUMP ASSEMBLY	
12 CC - MANUAL HYDRAULICS	6-58
19 CC - MANUAL OR ELECTRONIC HYDRAULICS	6-56
HYDRAULIC HAND LEVERS	
HYDRAULIC OIL TANK	
HYDRAULIC PUMP MOTOR ASSEMBLY	
AC HYDRAULICS, OPEN CONSTRUCTION - MANUAL AND ELECTRONIC HYDRAULICS	6-52
DC HYDRAULICS, OPEN CONSTRUCTION - MANUAL HYDRAULICS	6-54
HYDRAULIC PUMP MOTOR ATTACHING PARTS	
HYDRAULIC SYSTEM	
ELECTRONIC HYDRAULICS	6-2
MANUAL HYDRAULICS	6-6
MAIN SECTION	
ELECTRONIC HYDRAULIC CONTROL VALVE	6-42
MAST INSTALLATION	
TILT CYLINDER	

HYDRAULIC SYSTEM (FIGURE 6-1) ELECTRONIC HYDRAULICS



HP151013

**HYDRAULIC SYSTEM
ELECTRONIC HYDRAULICS****KEY:****A: Third Function****B: Fourth Function**

ITEM	PART NO.	DESCRIPTION	QTY	
			A	B
1	1453181	Steering Pump (☞Figure 4-5).....	1	1
2	14560	Fitting	1	1
2	16483	O-Ring	1	1
3	16693	Nut	1	1
3	16483	O-Ring	1	1
4	2026017	Hose Assy	2	2
5	2026493	Hose Assy	1	1
6	2048105	Steering Motor (☞Figure 4-7).....	1	1
7	17196	Fitting	1	1
7	16484	O-Ring	1	1
8	Tilt Cylinder (☞Figure 6-29).....	2	2
9	239784	Fitting	4	4
9	16481	O-Ring	1	1
10	2081342	Hose Assy	2	2
11	1359620	Clamp	2	4
12	239503	Nut	1	2
13	292681	Lockwasher	1	2
14	1361142	Plate	1	2
15	320157	Washer	1	2
16	214364	Capscrew	1	2
17	1606747	Tube Assy	1
18	1606746	Tube Assy	1
19	16541	Fitting	2	4
19	16484	O-Ring	1	2
20	1606745	Tube	1	1
21	1606744	Tube	1	1
22	2081341	Hose Assy (To Cylinder Ports)	2	2
23	16745	Fitting	2	2
23	16484	O-Ring	1	1
24	188227	Fitting	2	2
25	2078814	Hose Assy (To Forward Cylinder Port)	1	1
26	206150	Fitting	1	1
26	16484	O-Ring	1	1
27	16551	Fitting	1	1
27	16485	O-Ring	1	1
28	1367822	Capscrew	2	2
29	296417	Washer	2	2
30	a 2077802	Controller	1	1
30	bc 2096515	Controller (Valve Drive Module)	1	1
31	2079275	Wire Harness (Control Valve) (☞Figure 2-23).....	1	1
32	Hydraulic Control Valve (☞Figure 6-16).....	1	1
33	222492	Fitting	1	1
33	16483	O-Ring	1	1
34	166857	Clamp	1	1
35	1364274	Bracket	1	1

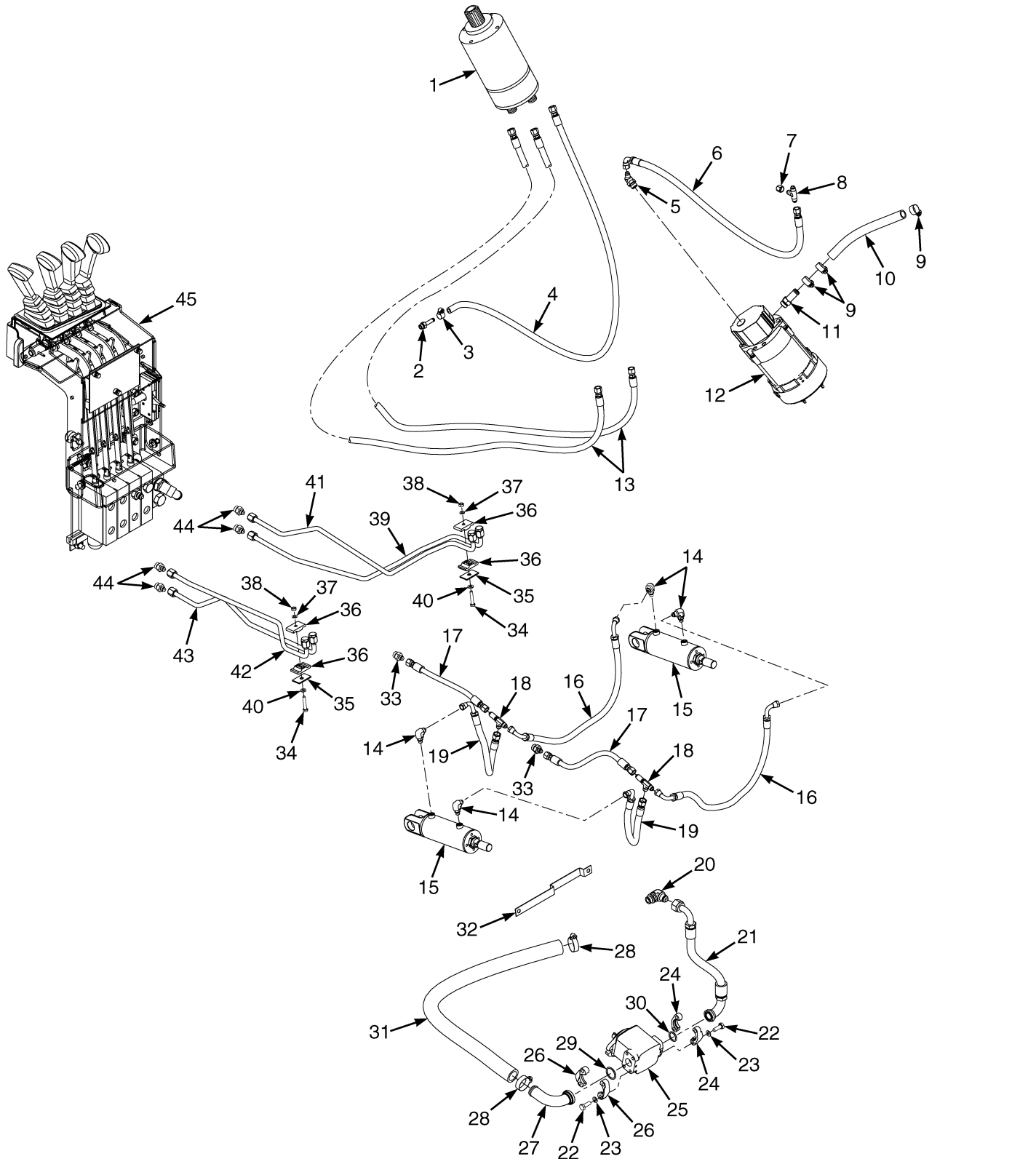
HYDRAULIC SYSTEM ELECTRONIC HYDRAULICS

KEY:**A:** Third Function**B:** Fourth Function

ITEM	PART NO.	DESCRIPTION	QTY	
			A	B
36	2081343	Hose Assy	1	1
37	296167	Capscrew	3	3
38	320157	Washer	3	3
39	1532761	Clip	3	3
40	239503	Nut	3	3
41	2090278	Hose Assy (To Rearward Cylinder Port)	1	1

FOOTNOTES:**a** → S/N F114A01729E**c** S/N F114B01501G →**b** S/N F114A01730E ↔ S/N F114A02390G

HYDRAULIC SYSTEM (FIGURE 6-2) MANUAL HYDRAULICS



BP150161

**HYDRAULIC SYSTEM
MANUAL HYDRAULICS****KEY:****A: Third Function****B: Fourth Function**

ITEM	PART NO.	DESCRIPTION	QTY	
			A	B
1	Steer Pump (☞Figure 4-5).....	1	1
2	222492	Fitting	1	1
3	166857	Clamp	1	1
4	121085	Hose Assy	1	1
5	17196	Fitting	1	1
6	2026493	Hose Assy	1	1
7	16693	Nut	1	1
8	14560	Fitting	1	1
9	130845	Clamp	3	3
10	240931	Hose	1	1
11	186227	Fitting	1	1
12	Steer Motor (☞Figure 4-7).....	1	1
13	2026017	Hose Assy	2	2
14	239784	Fitting	4	4
15	Tilt Cylinder (☞Figure 6-29).....	2	2
16	2081337	Hose Assy	2	2
17	2081342	Hose Assy	2	2
18	188227	Fitting	2	2
19	2081341	Hose Assy	2	2
20	16560	Fitting	1	1
21	b 2023836	Hose Assy	1	1
	ac 2023835	Hose Assy	1	1
22	b 136985	Capscrew	8	8
23	b 388049	Lockwasher	8	8
	292682	Lockwasher	8	8
24	b 160266	Clamp (Split Half)	2	2
	ac 16542	Connector	1	1
25	Hydraulic Pump Motor (☞Figure 6-22).....	1	1
26	b 190757	Clamp (Split Half)	2	2
	ac 16486	O-Ring	1	1
27	b 1321928	Fitting	1	1
	ac 362034	Fitting	1	1
27	16486	O-Ring	1	1
28	369804	Clamp	2	2
29	b 15866	O-Ring	1	1
30	b 61056	O-Ring	1	1
31	2081345	Hose	1	1
32	1364274	Bracket	1	1
33	16745	Fitting	2	2
34	214364	Capscrew	1	2
35	1361142	Plate	1	2
36	1359620	Clamp	2	4
37	292681	Lockwasher	1	2
38	239503	Nut	1	2
39	1612379	Tube Assy	1

HYDRAULIC SYSTEM MANUAL HYDRAULICS

KEY:

A: Third Function

B: Fourth Function

ITEM	PART NO.	DESCRIPTION	QTY	
			A	B
40	320157	Washer	1	2
41	1612378	Tube Assy	1
42	1612376	Tube	1	1
43	1612377	Tube	1	1
	c 14595	Plug Assembly (Two Function Only)	2	2
44	16541	Fitting (Three and Four Function)	4	4
45	Manual Hand Levers and Control Valve Assy (☞Figure 6-3, ☞Figure 6-4, ☞Figure 6-15).....	1	1

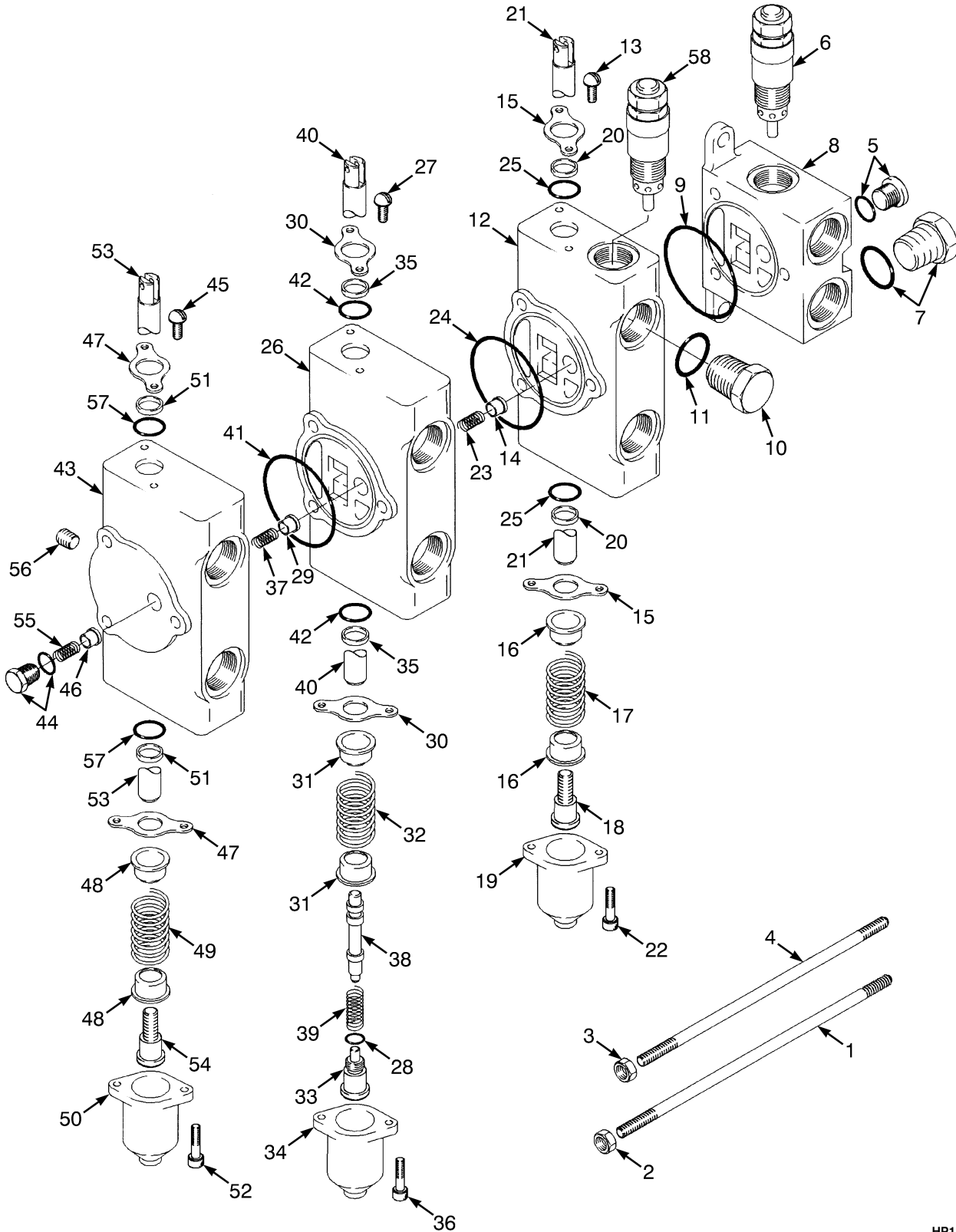
FOOTNOTES:

a For Use With 12cc and "EE" Pumps

c Not Illustrated

b For Use With 19cc Pump

CONTROL VALVE (FIGURE 6-3) MANUAL HYDRAULICS — THREE FUNCTION (→ S/N F114A02390G)



HP150185

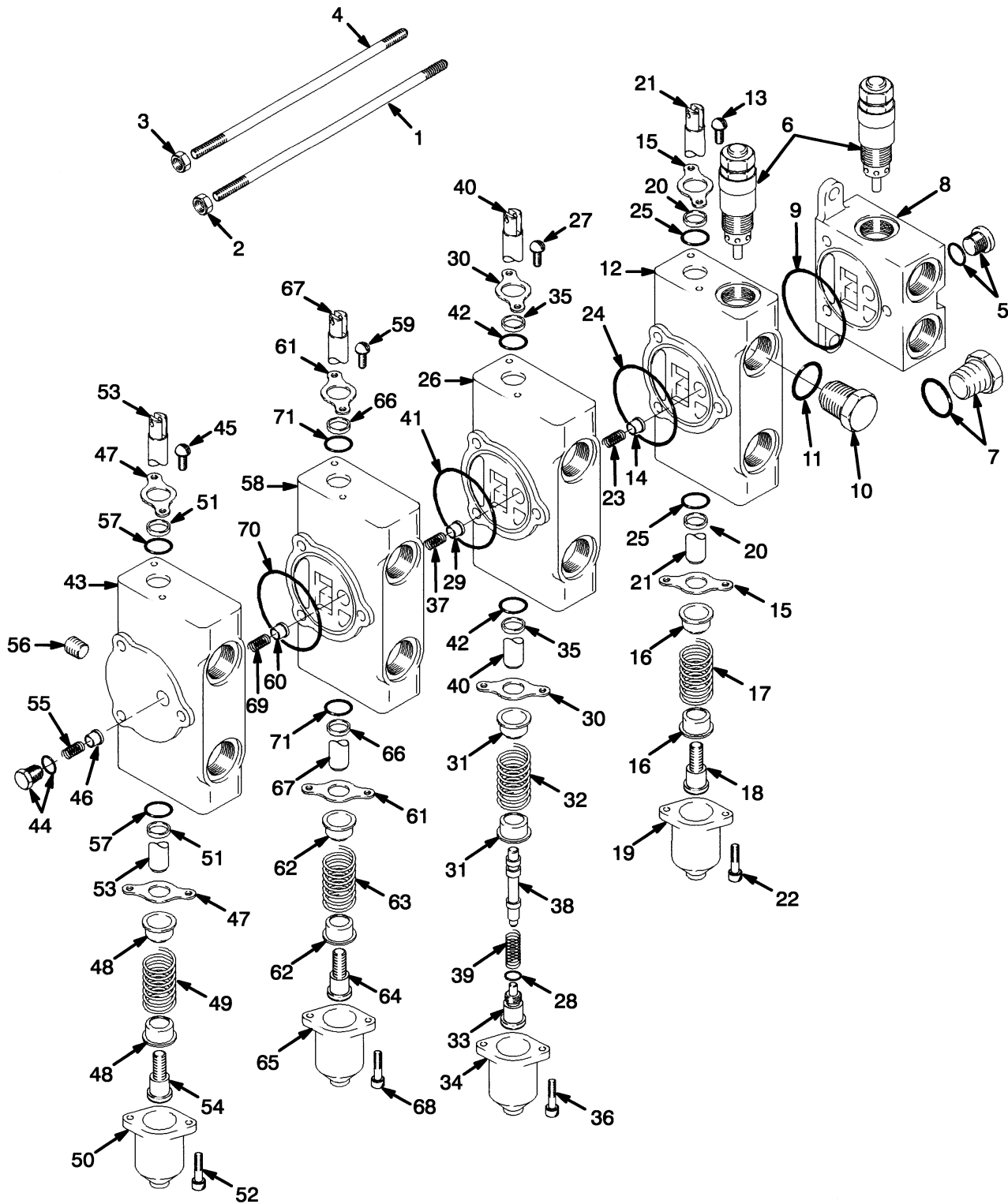
CONTROL VALVE
MANUAL HYDRAULICS – THREE FUNCTION (→ S/N F114A02390G)

ITEM	PART NO.	DESCRIPTION	QTY
	2023594	Hydraulic Control Valve	1
1	1374141	Tie Rod	1
2	188534	Nut	2
3	15055	Nut	4
4	1374142	Tie Rod	2
5	14591	Plug	1
5	16481	O-Ring	1
6	378424	Relief Valve	2
6	1309419	Kit-Seal	1
7	16485	O-Ring	1
7	188486	Plug	1
8	353883	Valve Section	1
9	57664	O-Ring	1
10	199524	Plug	1
11	16484	O-Ring	1
12	1374135	Valve Section (Lift)	1
13	16706	Screw	2
14	205120	Poppet	1
15	205121	Plate	2
16	188516	Spring Seat	2
17	385855	Spring	1
18	188518	Spool End	1
19	188519	Cap	1
20	205122	Wiper	2
21	Spool	1
22	12949	Capscrew	2
23	205123	Spring	1
24	57664	O-Ring	1
25	1357361	O-Ring	2
26	1374136	Valve Section (Tilt)	1
27	16706	Screw	2
28	16480	O-Ring	1
29	205120	Poppet	1
30	205121	Plate	2
31	320289	Spring Seat	2
32	385855	Spring	1
33	320291	Spool End	1
34	188519	Cap	1
35	205122	Wiper	2
36	12949	Capscrew	2
37	205123	Spring	1
38	352055	Piston	1
39	341462	Spring	1
40	Spool	1
41	57664	O-Ring	1
42	1357361	O-Ring	2
43	1374138	Valve Section	1
44	1669381	Plug	1
44	1309875	O-Ring	1
45	16706	Screw	2

CONTROL VALVE
MANUAL HYDRAULICS – THREE FUNCTION (→ S/N F114A02390G)

ITEM	PART NO.	DESCRIPTION	QTY
46	1309420	Poppet	1
47	205121	Plate	2
48	188516	Spring Seat	2
49	385855	Spring	1
50	188519	Cap	1
51	205122	Wiper	2
52	12949	Capscrew	2
53	Spool	1
54	188518	Spool End	1
55	1309422	Spring	1
56	15483	Fitting	1
57	1357361	O-Ring	2
58	1583835	Relief Valve	1
58	1580131	Kit-Seal and Spring	1
	1374144	Kit-Tie Rod	1

CONTROL VALVE (FIGURE 6-4) MANUAL HYDRAULICS — FOUR FUNCTION (→ S/N F114A02390G)



HP150186

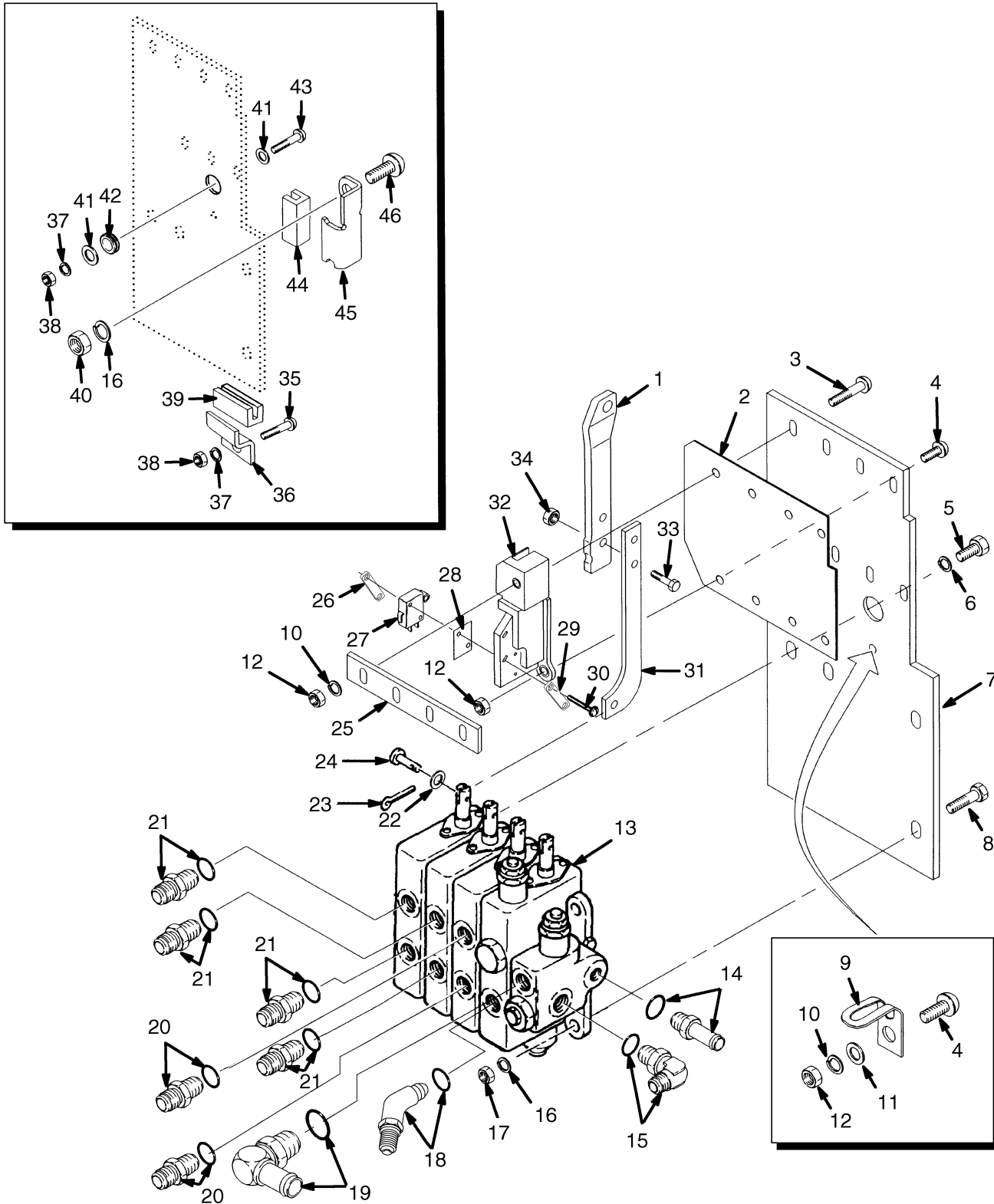
CONTROL VALVE
MANUAL HYDRAULICS – FOUR FUNCTION (→ S/N F114A02390G)

ITEM	PART NO.	DESCRIPTION	QTY
	2023595	Hydraulic Control Valve	1
1	1461719	Tie Rod	1
2	188534	Nut	2
3	15055	Nut	4
4	1374148	Tie Rod	2
5	14591	Plug	1
5	16481	O-Ring	1
6	378424	Relief Valve	2
6	1309419	Kit-Seal	1
7	16485	O-Ring	1
7	188486	Plug	1
8	353883	Valve Section	1
9	57664	O-Ring	1
10	199524	Plug	1
11	16484	O-Ring	1
12	1374135	Valve Section (Lift)	1
13	16706	Screw	2
14	205120	Poppet	1
15	205121	Plate	2
16	188516	Spring Seat	2
17	385855	Spring	1
18	188518	Spool End	1
19	188519	Cap	1
20	205122	Wiper	2
21	Spool	1
22	12949	Capscrew	2
23	205123	Spring	1
24	57664	O-Ring	1
25	1357361	O-Ring	2
26	1374136	Valve Section (Tilt)	1
27	16706	Screw	2
28	16480	O-Ring	1
29	205120	Poppet	1
30	205121	Plate	2
31	320289	Spring Seat	2
32	385855	Spring	1
33	320291	Spool End	1
34	188519	Cap	1
35	205122	Wiper	2
36	12949	Capscrew	2
37	205123	Spring	1
38	352055	Piston	1
39	341462	Spring	1
40	Spool	1
41	57664	O-Ring	1
42	1357361	O-Ring	2
43	1374138	Valve Section	1
44	1669381	Plug	1
44	1309875	O-Ring	1
45	16706	Screw	2

CONTROL VALVE
MANUAL HYDRAULICS – FOUR FUNCTION (→ S/N F114A02390G)

ITEM	PART NO.	DESCRIPTION	QTY
46	1309420	Poppet	1
47	205121	Plate	2
48	188516	Spring Seat	2
49	385855	Spring	1
50	188519	Cap	1
51	205122	Wiper	2
52	12949	Capscrew	2
53	Spool	1
54	188518	Spool End	1
55	1309422	Spring	1
56	15483	Fitting	1
57	1357361	O-Ring	2
58	1374145	Valve Section	1
59	16706	Screw	2
60	205120	Poppet	1
61	205121	Plate	2
62	188516	Spring Seat	2
63	385855	Spring	1
64	188518	Spool End	1
65	188519	Cap	1
66	205122	Wiper	2
67	Spool	1
68	12949	Capscrew	2
69	205123	Spring	1
70	57664	O-Ring	1
71	1357361	O-Ring	2
	1374147	Kit-Tie Rod	1

CONTROL VALVE ATTACHING PARTS (FIGURE 6-5) MANUAL HYDRAULICS



HP151057

**CONTROL VALVE ATTACHING PARTS
MANUAL HYDRAULICS****KEY:****A: Three Function****B: Four Function**

ITEM	PART NO.	DESCRIPTION	QTY	
			A	B
1	1362273	Cam	3	4
2	1362279	Pad	1	1
3	220003	Bolt	3	4
4	220000	Bolt	5	6
5	136681	Capscrew	1	1
6	320157	Washer	3	3
7	1468398	Plate Wldmt (Without Raised Hood)	1	1
7	1468406	Plate Wldmt (With Raised Hood)	1	1
8	176640	Bolt	2	2
9	1362277	Strap	2	2
10	15915	Lockwasher	8	10
11	197068	Washer	5	6
12	15054	Nut	8	10
13	a 2023594	Hydraulic Control Valve	1	..
13	b 2095334	Hydraulic Control Valve (☞Figure 6-6).....	1	..
13	a 2023595	Hydraulic Control Valve	1
13	b 2095335	Hydraulic Control Valve (☞Figure 6-6).....	..	1
14	222492	Fitting	1	1
14	16483	O-Ring	1	1
15	16560	Fitting	1	1
15	16485	O-Ring	1	1
16	292681	Lockwasher	5	5
17	239503	Nut	2	2
18	134680	Fitting	1	1
18	16484	O-Ring	1	1
19	1343452	Fitting	1	1
19	16485	O-Ring	1	1
20	16745	Fitting	2	2
20	16484	O-Ring	1	1
21	14595	Plug Assembly (With Raised Hood)	2	4
21	16541	Fitting (Without Raised Hood)	2	4
21	16484	O-Ring	1	1
22	15172	Washer	3	4
23	15200	Cotter Pin	3	4
24	1340703	Pin	3	4
25	1340869	Clamp	1	1
26	1593347	Plate	3	4
27	2046035	Switch (AC Hydraulics)	3	4
27	2046035	Switch (DC Hydraulics)	5	6
28	374160	Insulator	3	4
29	1593346	Plate	3	4
30	220430	Screw (AC Hydraulics)	2	4
30	220430	Screw (DC Hydraulics)	6	8
30	220436	Screw (AC Hydraulics Only)	4	4
31	1340504	Link (Without Raised Hood)	3	4

CONTROL VALVE ATTACHING PARTS MANUAL HYDRAULICS

KEY:
A: Three Function
B: Four Function

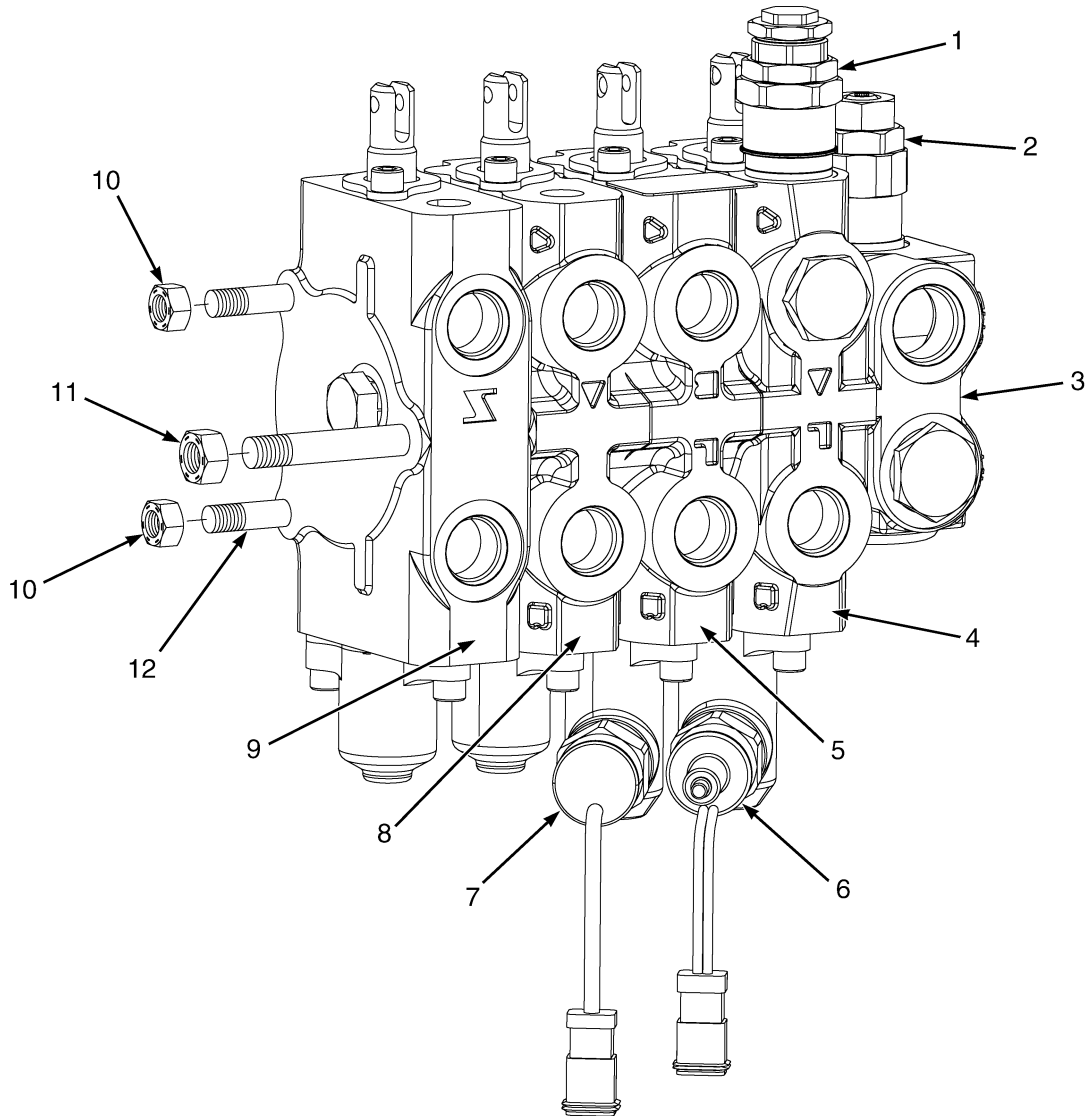
ITEM	PART NO.	DESCRIPTION	QTY	
			A	B
31	1340745	Link (With Raised Hood)	3	4
32	1362274	Guide	3	4
33	18460	Capscrew	6	8
34	221341	Locknut	6	8
35	296174	Capscrew	2	2
36	324972	Bracket	1	1
36	1641885	Bracket	1	1
37	388049 292682	Lockwasher	4	4
38	136692	Nut	4	4
39	1388309	Strip Seal	2	2
40	239503	Nut	2	2
41	1356113	Washer	4	4
42	317594	Motor Mount	2	2
43	296166	Capscrew	2	2
44	2026802	Strip Seal	2	2
45	2036180	Plate	2	2
46	1364272	Capscrew	2	2

FOOTNOTES:

a → S/N F114A02390G

b S/N F114B01501G →

HYDRAULIC CONTROL VALVE ASSEMBLY (FIGURE 6-6) MANUAL WITH OPERATOR PRESENCE (S/N F114B01501G →)



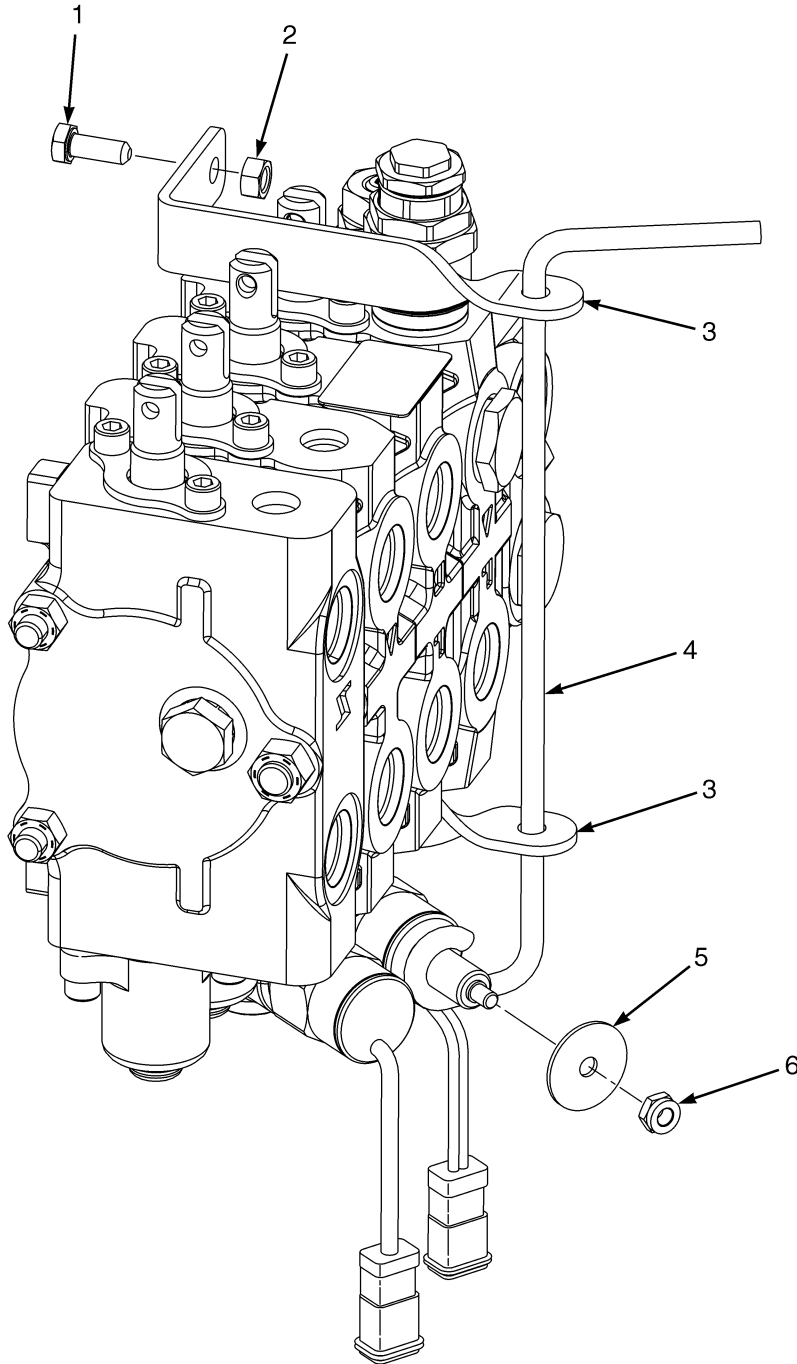
BP140121

HYDRAULIC CONTROL VALVE ASSEMBLY
MANUAL WITH OPERATOR PRESENCE (S/N F114B01501G →)

KEY:**A: Three Function****B: Four Function**

ITEM	PART NO.	DESCRIPTION	QTY	
			A	B
	2095334	Hydraulic Control Valve (Three Function)	1	..
	2095335	Hydraulic Control Valve (Four Function)	1
1	1583835	Relief Valve (Secondary) (☞Figure 6-11).....	1	1
2	1547590	Relief Valve (Main) (☞Figure 6-9).....	1	1
3	353883	Valve Section (☞Figure 6-8).....	1	1
4	1669370	Valve Section (Lift) (☞Figure 6-10).....	1	1
5	1669382	Valve Section (Tilt) (☞Figure 6-12).....	1	1
6	1669335	Solenoid	1	1
7	1669336	Solenoid	1	1
8	1374145	Valve Section (Auxiliary 1) (☞Figure 6-14).....	..	1
9	1374138	Valve Section (Auxiliary) (☞Figure 6-13).....	1	..
9	1374138	Valve Section (Auxiliary 2) (☞Figure 6-13).....	..	1
10	15055	Nut	4	4
11	188534	Nut	2	2

HYDRAULIC CONTROL VALVE (FIGURE 6-7) OPERATOR PRESENCE SYSTEM COMPONENTS — MANUAL WITH OPERATOR PRESENCE (S/N F114B01501G →)



BP140129

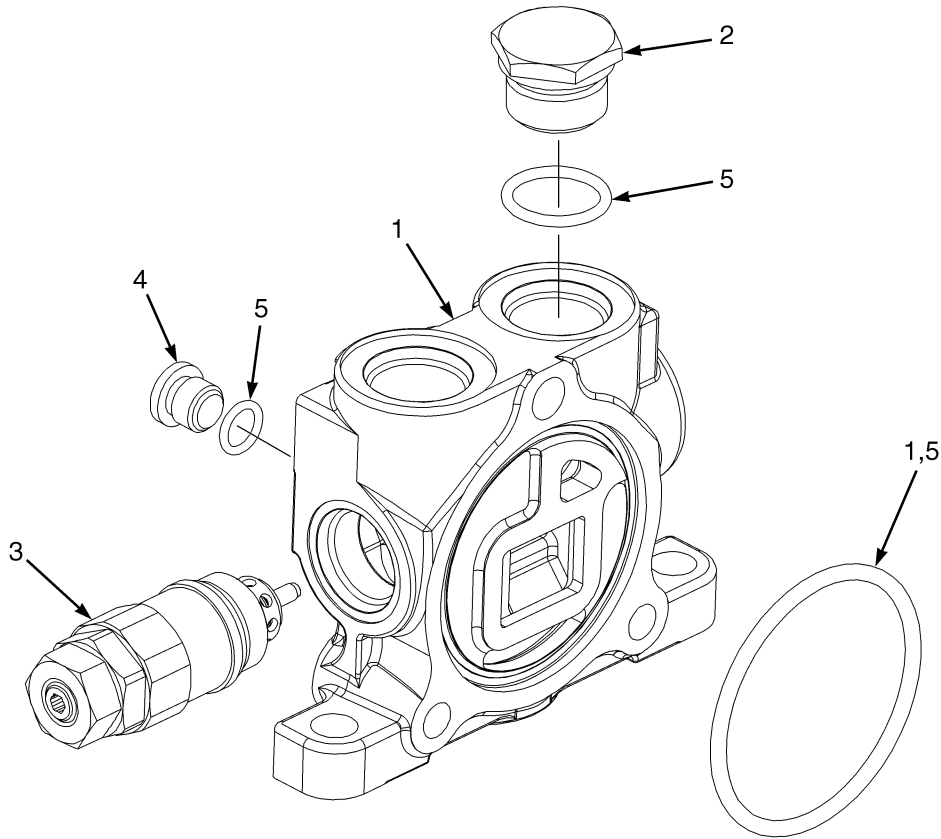
HYDRAULIC CONTROL VALVE
OPERATOR PRESENCE SYSTEM COMPONENTS – MANUAL WITH OPERATOR PRESENCE
(S/N F114B01501G →)

ITEM	PART NO.	DESCRIPTION	QTY
	2095334	Hydraulic Control Valve (Three Function) (☞Figure 6-6).....	1
	2095335	Hydraulic Control Valve (Four Function) (☞Figure 6-6).....	1
1	2022617	Capscrew	4
2	136687	Nut	4
3	1660759	Bracket (Solenoid)	2
4	1641883	Rod	1
5	1641884	Washer	1
6	15002	Nut	1
	a 383789	Thread Sealant	AR

FOOTNOTES:

a Not Illustrated

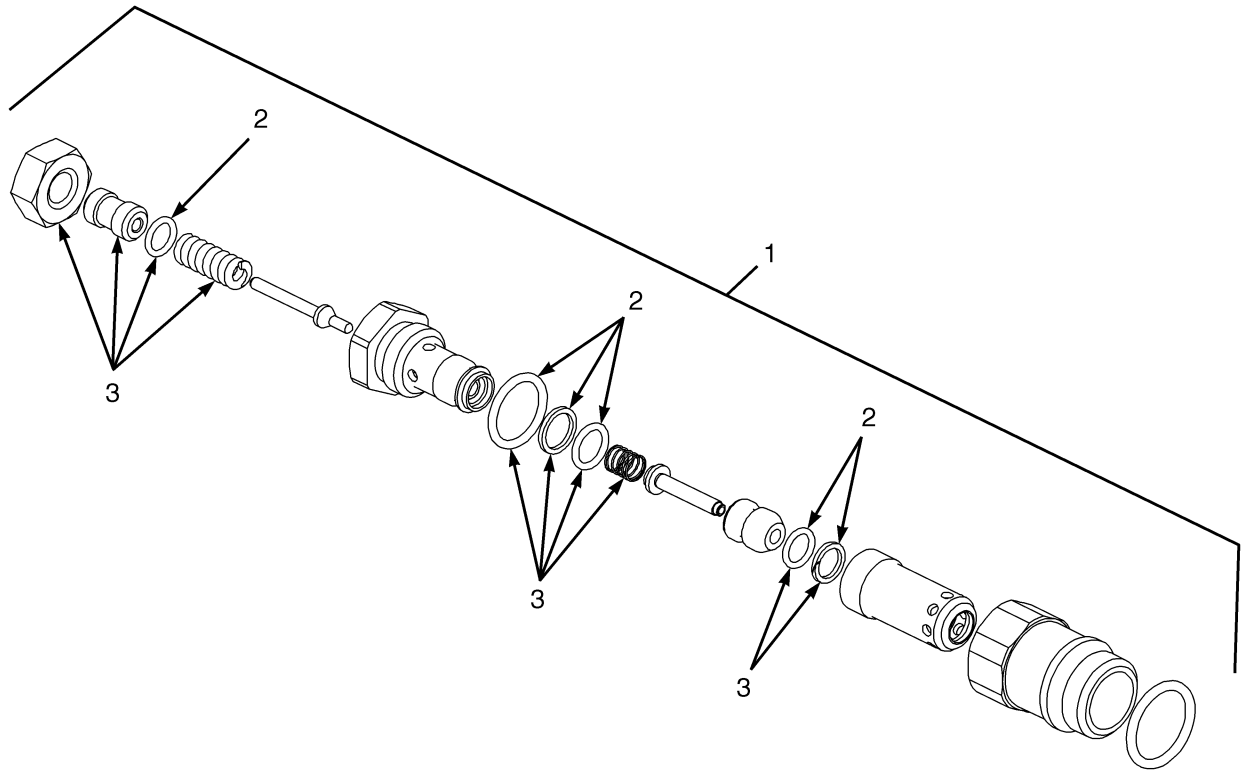
HYDRAULIC CONTROL VALVE (FIGURE 6-8) INLET SECTION — MANUAL WITH OPERATOR PRESENCE (S/N F114B01501G →)



BP140122

ITEM	PART NO.	DESCRIPTION	QTY
1	353883	Valve Section	1
1	Housing	1
1	57664	O-Ring	1
2	233693	Fitting	1
2	Plug	1
2	16485	O-Ring	1
3	1547590	Relief Valve (Main) (☞ Figure 6-9).....	1
4	14591	Plug	1
4	Plug	1
4	16481	O-Ring	1
5	1669380	Kit-Seal	1

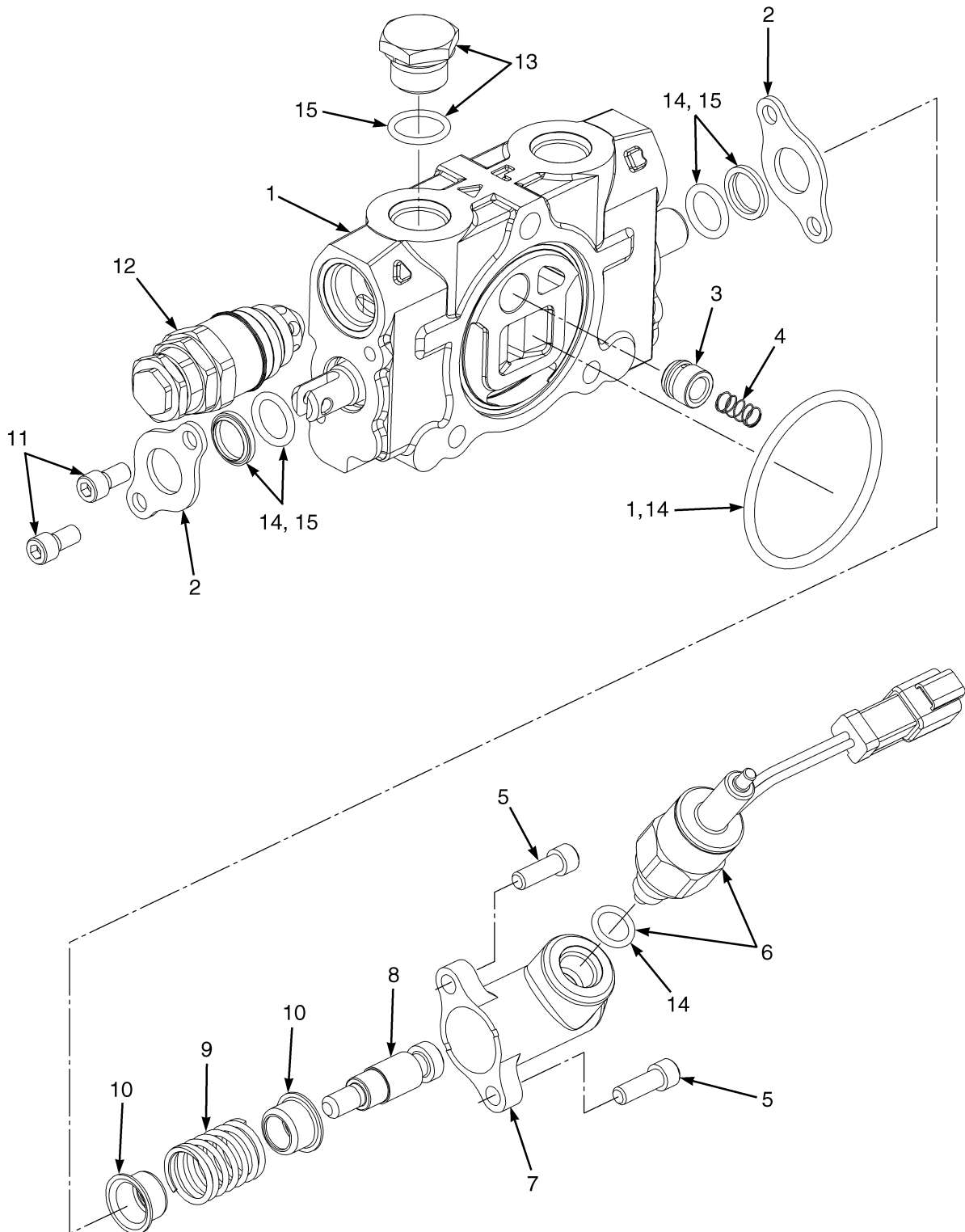
HYDRAULIC CONTROL VALVE (FIGURE 6-9)
MAIN RELIEF VALVE — MANUAL WITH OPERATOR PRESENCE (S/N R114B01501G →)



BP140123

ITEM	PART NO.	DESCRIPTION	QTY
1	1547590	Relief Valve	1
2	1669334	Kit-Seal	1
3	1309419	Kit-Seal	1

HYDRAULIC CONTROL VALVE (FIGURE 6-10) LIFT SECTION — MANUAL WITH OPERATOR PRESENCE (S/N F114B01501G →)

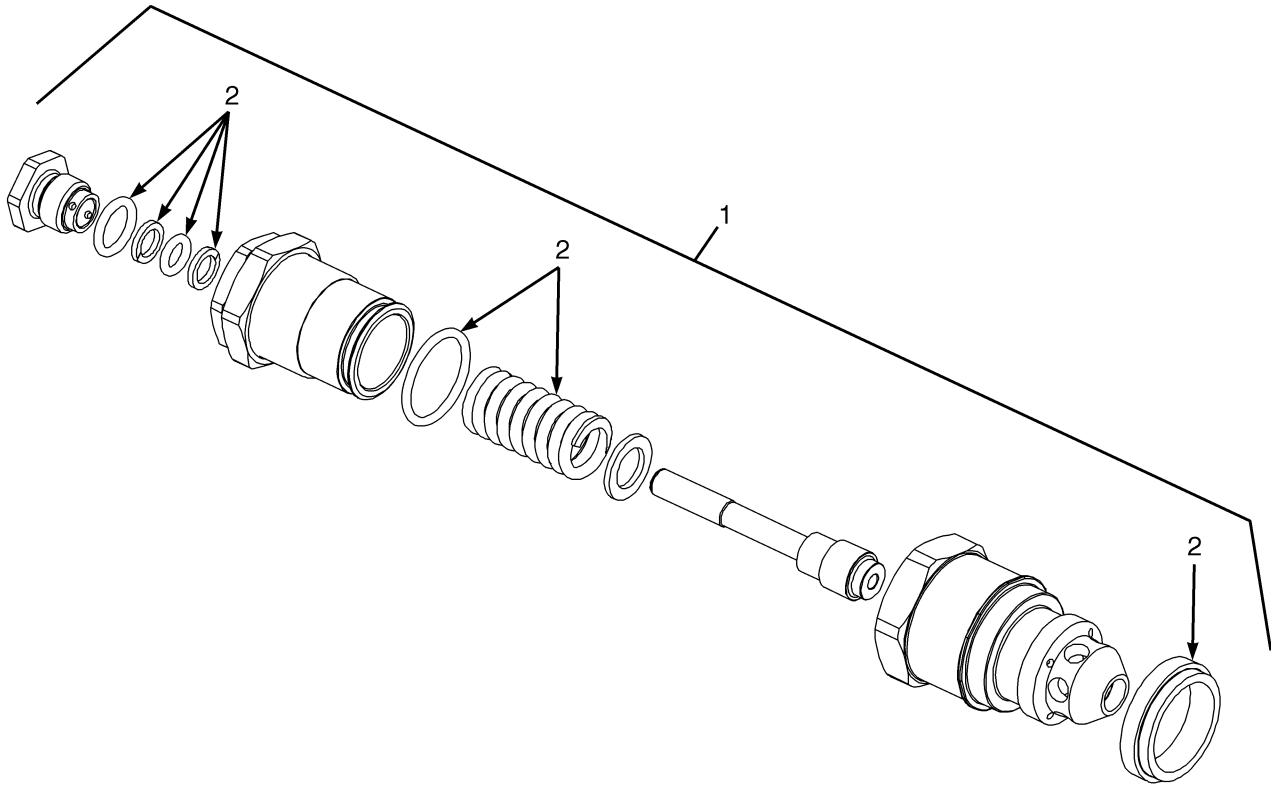


BP140124

HYDRAULIC CONTROL VALVE
LIFT SECTION – MANUAL WITH OPERATOR PRESENCE (S/N F114B01501G →)

ITEM	PART NO.	DESCRIPTION	QTY
1	1669370	Valve Section (Lift)	1
1	Housing	1
1	57664	O-Ring	1
2	205121	Plate	2
3	205120	Poppet	1
4	205123	Spring	1
5	12949	Capscrew	2
6	1669335	Solenoid	1
6	O-Ring	1
7	1669036	Cap	1
8	1669035	Spool End	1
9	385855	Spring	1
10	320289	Spring Seat	2
11	16706	Screw	2
12	1583835	Relief Valve (☞ Figure 6-11).....	1
13	14595	Plug Assembly	1
13	Plug	1
13	16484	O-Ring	1
14	1669380	Kit-Seal	1
15	339315	Kit-Seal	1
15	154687	O-Ring	2
15	205122	Wiper	2

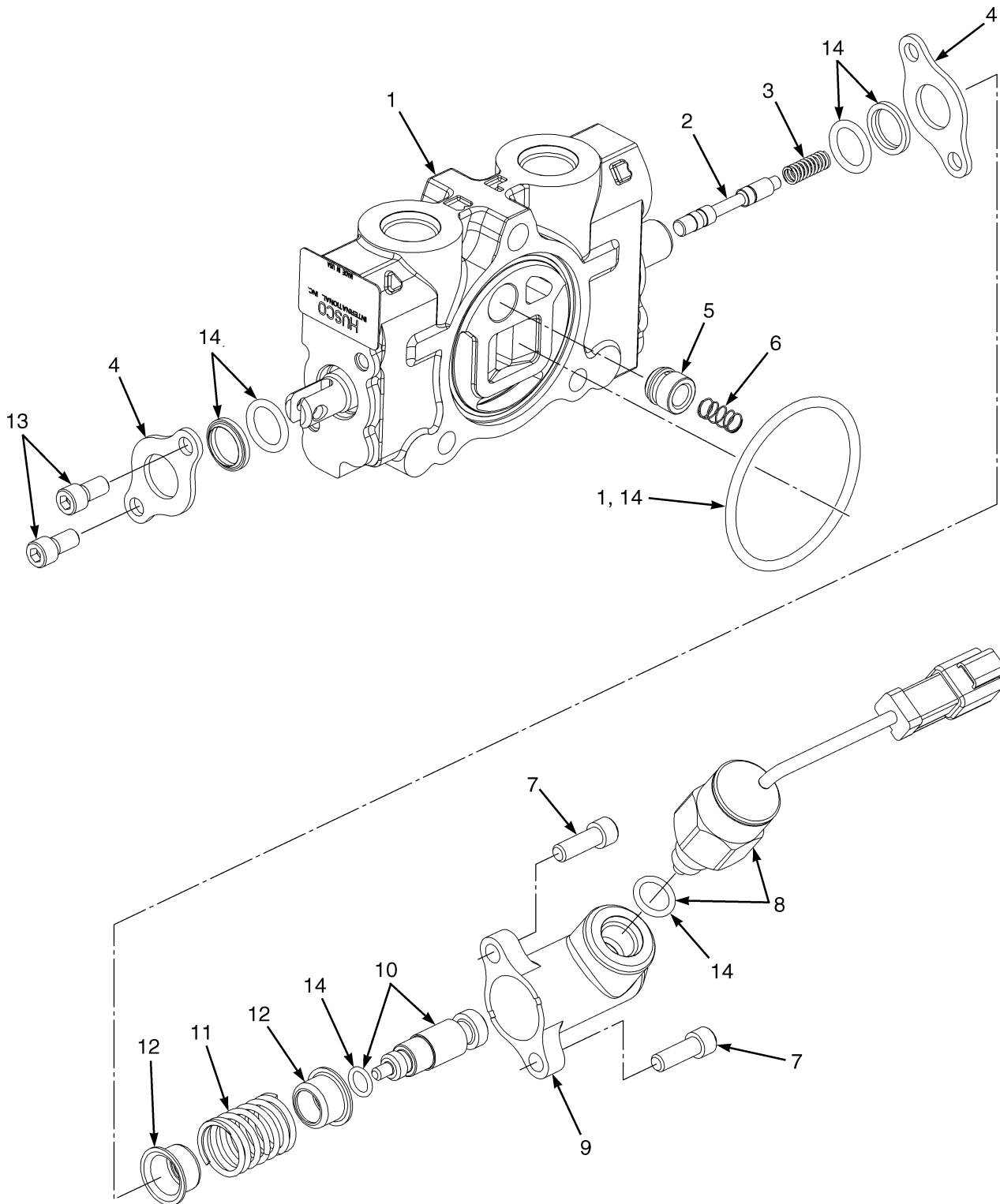
HYDRAULIC CONTROL VALVE (FIGURE 6-11)
SECONDARY RELIEF VALVE — MANUAL WITH OPERATOR PRESENCE (S/N F114B01501G →)



BP140125

ITEM	PART NO.	DESCRIPTION	QTY
1	1583835	Relief Valve (Secondary)	1
2	1580131	Kit-Seal and Spring	1

HYDRAULIC CONTROL VALVE (FIGURE 6-12) TILT SECTION — MANUAL WITH OPERATOR PRESENCE (S/N F114B01501G →)

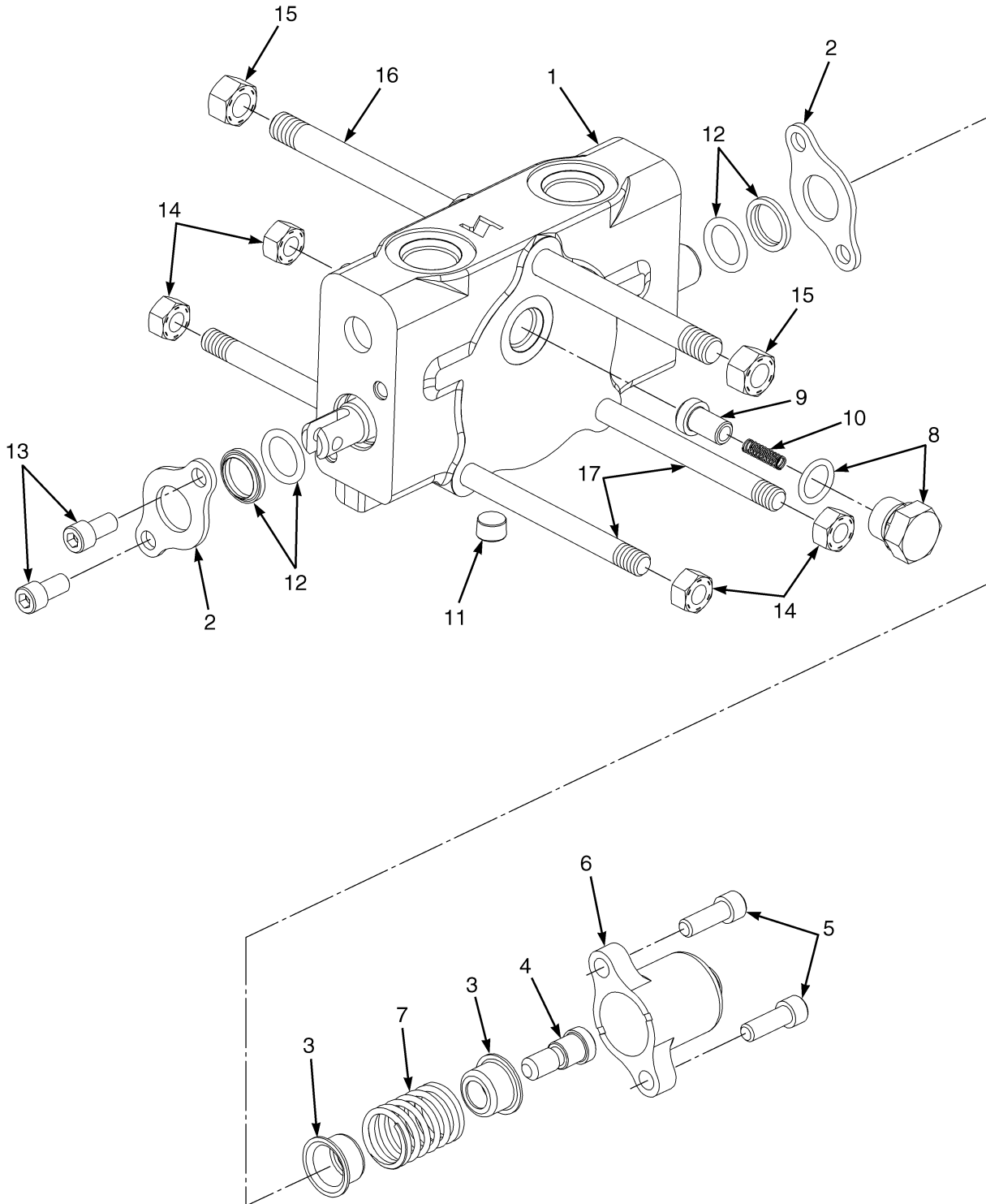


BP140126

HYDRAULIC CONTROL VALVE
TILT SECTION – MANUAL WITH OPERATOR PRESENCE (S/N F114B01501G →)

ITEM	PART NO.	DESCRIPTION	QTY
1	1669382	Valve Section (Tilt)	1
1	Housing	1
1	57664	O-Ring	1
2	352055	Piston	1
3	341462	Spring	1
4	205121	Plate	2
5	205120	Poppet	1
6	205123	Spring	1
7	12949	Capscrew	2
8	1669335	Solenoid	1
8	O-Ring	1
9	1669036	Cap	1
10	1669029	Spool End	1
10	O-Ring	1
11	385855	Spring	1
12	320289	Spring Seat	2
13	16706	Screw	2
14	1669380	Kit-Seal	1

HYDRAULIC CONTROL VALVE (FIGURE 6-13) AUXILIARY OR AUXILIARY TWO SECTION — MANUAL WITH OPERATOR PRESENCE (S/N F114B01501G →)



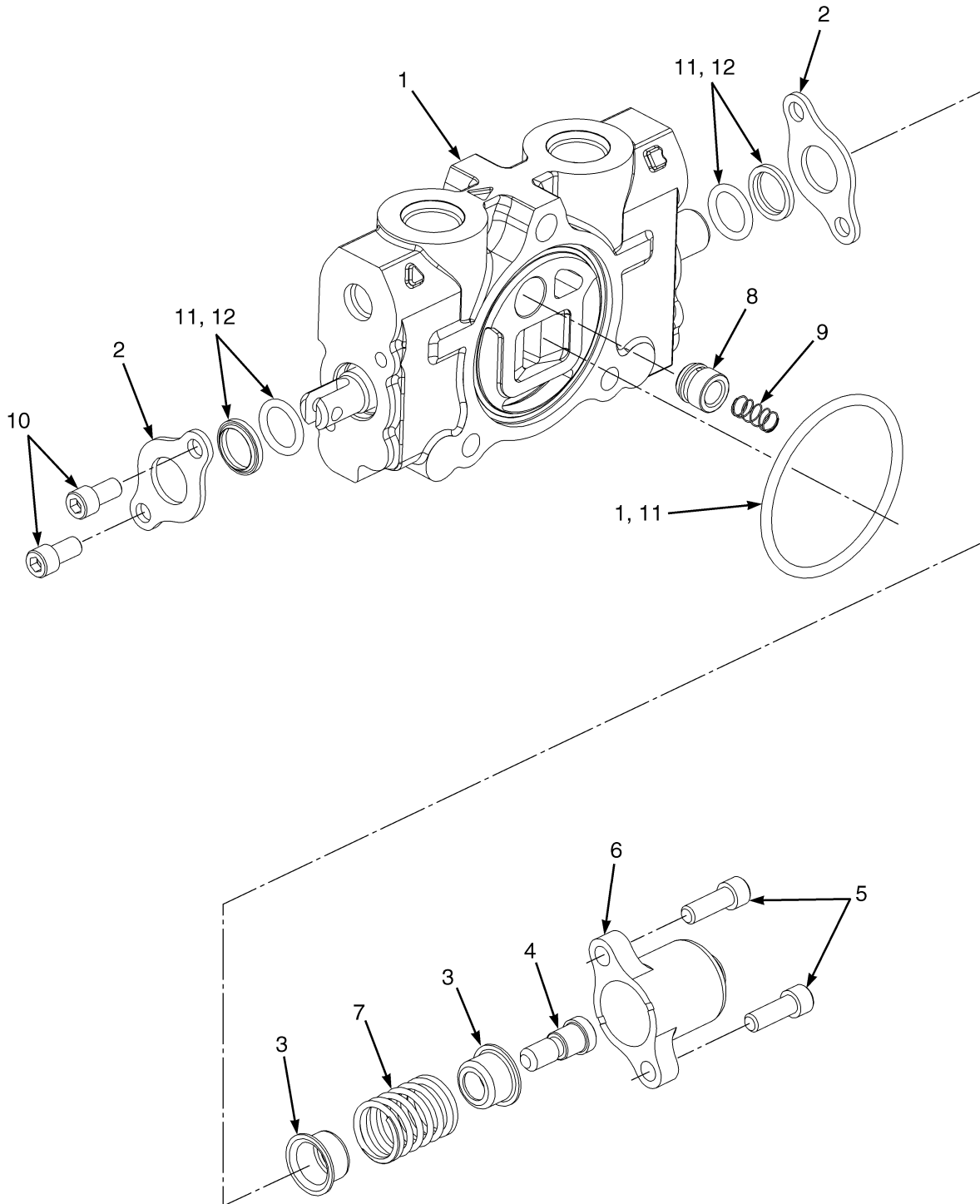
BP140128

HYDRAULIC CONTROL VALVE
AUXILIARY OR AUXILIARY TWO SECTION – MANUAL WITH OPERATOR PRESENCE
(S/N F114B01501G →)

KEY:**A: Three Function****B: Four Function**

ITEM	PART NO.	DESCRIPTION	QTY	
			A	B
1	1374138	Valve Section	1	1
1	Housing	1	1
1	Spool	1	1
2	205121	Plate	2	2
3	188516	Spring Seat	2	2
4	188518	Spool End	1	1
5	12949	Capscrew	2	2
6	188519	Cap	1	1
7	385855	Spring	1	1
8	1669381	Plug	1	1
8	Plug	1	1
8	1309875	O-Ring	1	1
9	1309420	Poppet	1	1
10	1309422	Spring	1	1
11	15483	Fitting	1	1
12	1669380	Kit-Seal	1	1
12	205122	Wiper	2	2
12	1357361	O-Ring	2	2
13	16706	Screw	2	2
14	15055	Nut	4	4
15	188534	Nut	2	2
16	1374141	Tie Rod	1	..
16	1461719	Tie Rod	1
17	1374142	Tie Rod	2	..
17	1374148	Tie Rod	2

HYDRAULIC CONTROL VALVE (FIGURE 6-14) AUXILIARY SECTION (FOUR FUNCTION) — MANUAL WITH OPERATOR PRESENCE (S/N F114B01501G →)

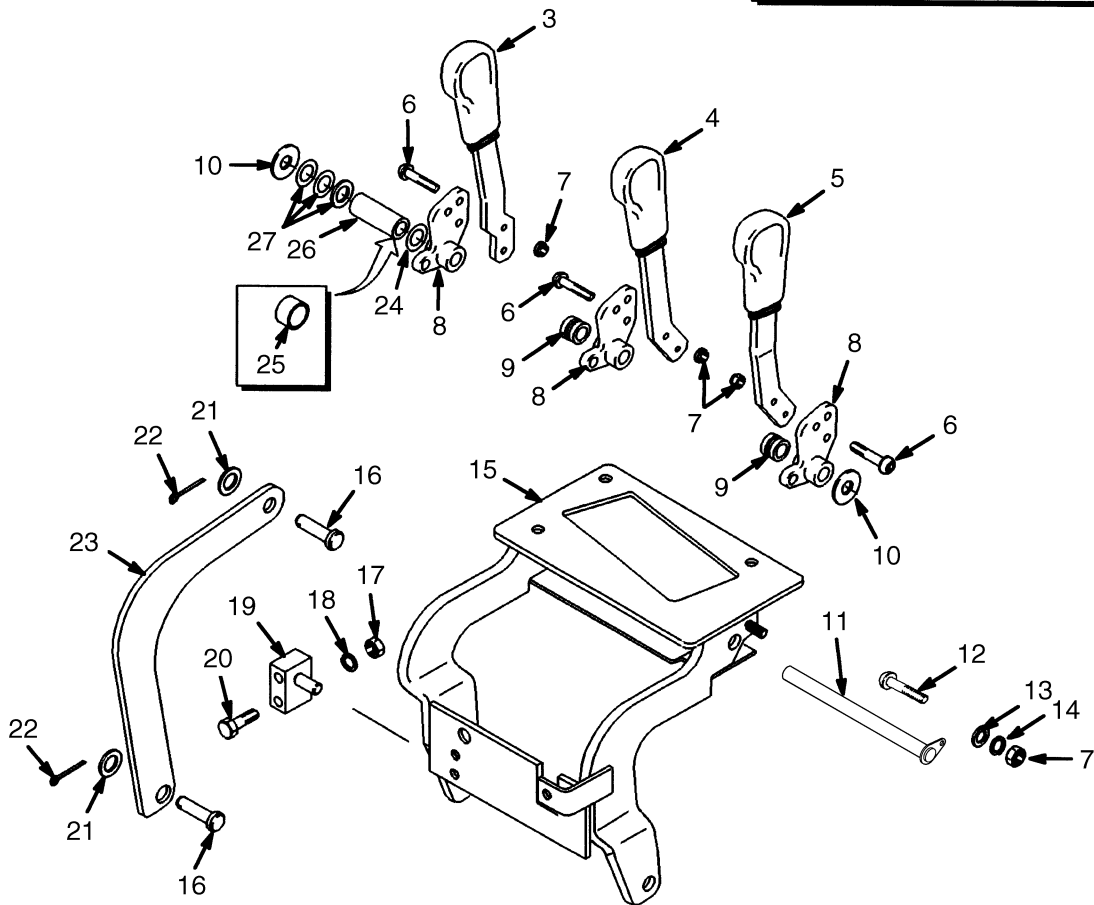
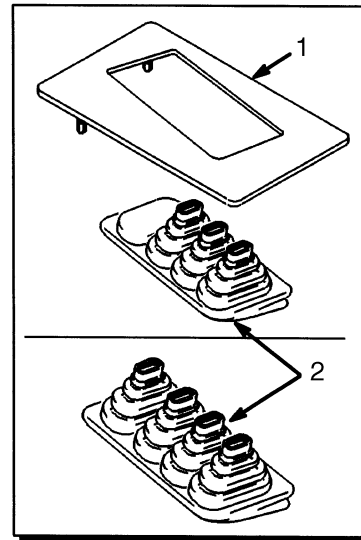
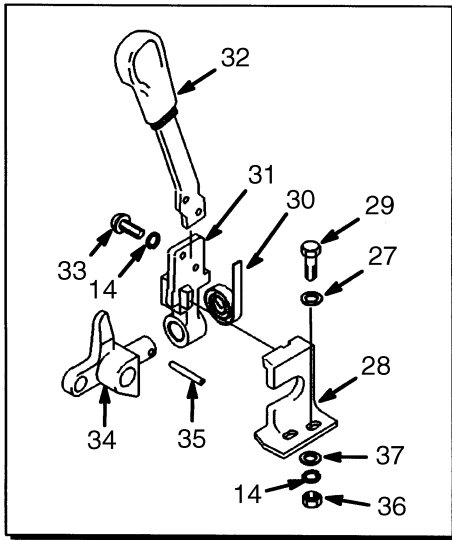


BP140127

HYDRAULIC CONTROL VALVE**AUXILIARY SECTION (FOUR FUNCTION) – MANUAL WITH OPERATOR PRESENCE (S/N F114B01501G →)**

ITEM	PART NO.	DESCRIPTION	QTY
1	1374145	Valve Section	1
1	Housing	1
1	57664	O-Ring	1
2	205121	Plate	2
3	188516	Spring Seat	2
4	188518	Spool End	1
5	12949	Capscrew	2
6	188519	Cap	1
7	385855	Spring	1
8	205120	Poppet	1
9	205123	Spring	1
10	16706	Screw	2
11	1669380	Kit-Seal	1
12	1669380	Kit-Seal	1
12	1357361	O-Ring	2
12	205122	Wiper	2

HYDRAULIC HAND LEVERS (FIGURE 6-15)

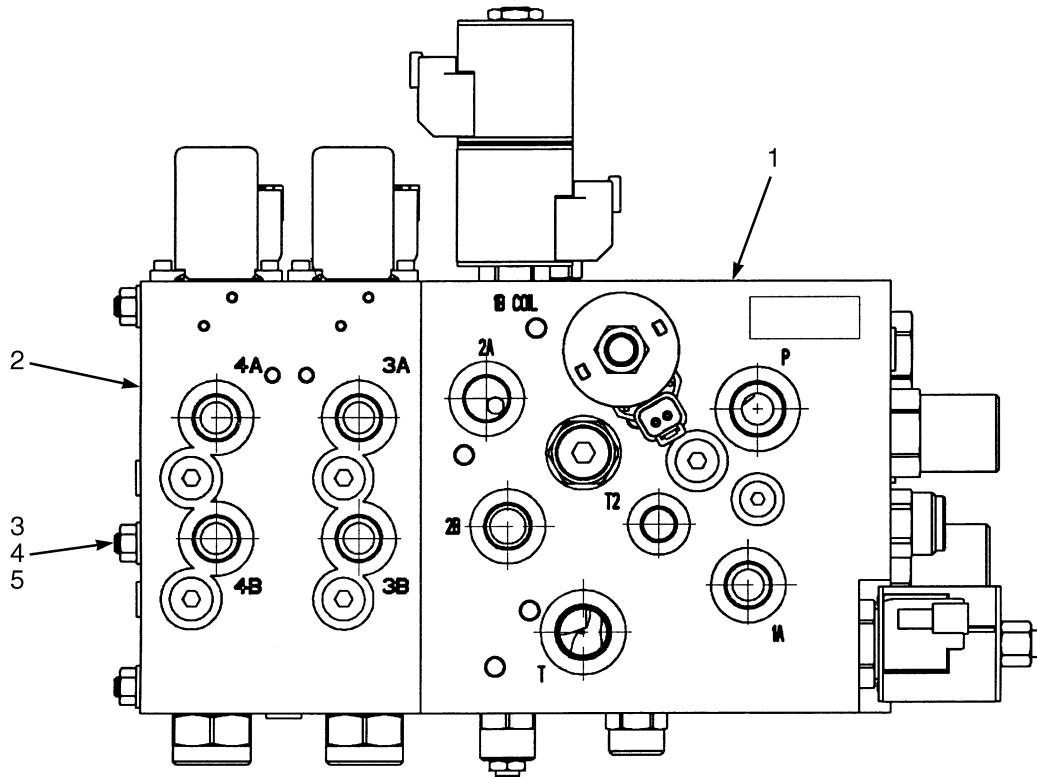


HP151025

HYDRAULIC HAND LEVERS**KEY:****A: Three Function (Without Detent Levers)****B: Three Function (With Detent Levers)****C: Four Function (With Detent Levers)**

ITEM	PART NO.	DESCRIPTION	QTY		
			A	B	C
1	1362184	Plate Wldmt	1	1	1
2	1339636	Boot	1
2	1339799	Boot	1	1	..
3	1340654	Lever (Third And Fourth Function)	1	..	1
4	1340653	Lever (Tilt)	1	1	1
5	1340652	Lever (Hoist)	1	1	1
6	292500	Capscrew	6	4	6
7	313805	Nut	7	5	7
8	1340366	Crank	3	2	3
9	1503378	Spacer	2	1	2
10	15135	Washer	2	2	2
11	1509882	Pin	1	1	1
12	287816	Capscrew	1	1	1
13	320156	Washer	2	2	2
14	292680	Washer	4	4
15	1609622	Bracket	1	1	1
16	1340702	Pin	3	3	4
17	136692	Nut	6	6	6
18	388049 292682	Lockwasher	6	6	6
19	1468408	Pin (With Raised Hood)	1	1	1
19	1468404	Pin (Without Raised Hood)	1	1	1
20	136985	Capscrew	2	2	2
21	320159	Washer	3	3	4
22	15223	Cotter Pin	3	3	4
23	1609624	Link (Upper)	3	3	4
24	1641799	Spacer	1
25	1635431	Spacer	1
26	1503379	Spacer	1	1	..
27	1516800	Shim (1,524 mm)	AR	AR	AR
27	1516799	Shim (0,787 mm)	AR	AR	AR
27	1516801	Shim (0,254 mm)	AR	AR	AR
28	1370728	Lock (Locking)	1
28	1450092	Bracket (Non-Locking)	1	..
29	292501	Capscrew	2	2
30	175861	Spring	1	1
31	1340364	Lever (Third And Fourth Function)	1	1
32	1340655	Lever (Third And Fourth Function)	1
33	296158	Capscrew	2	2
34	1340422	Crank	1	1
35	19979	Roll Pin	1	1
36	136687	Nut	2	2
37	320156	Washer	4	4

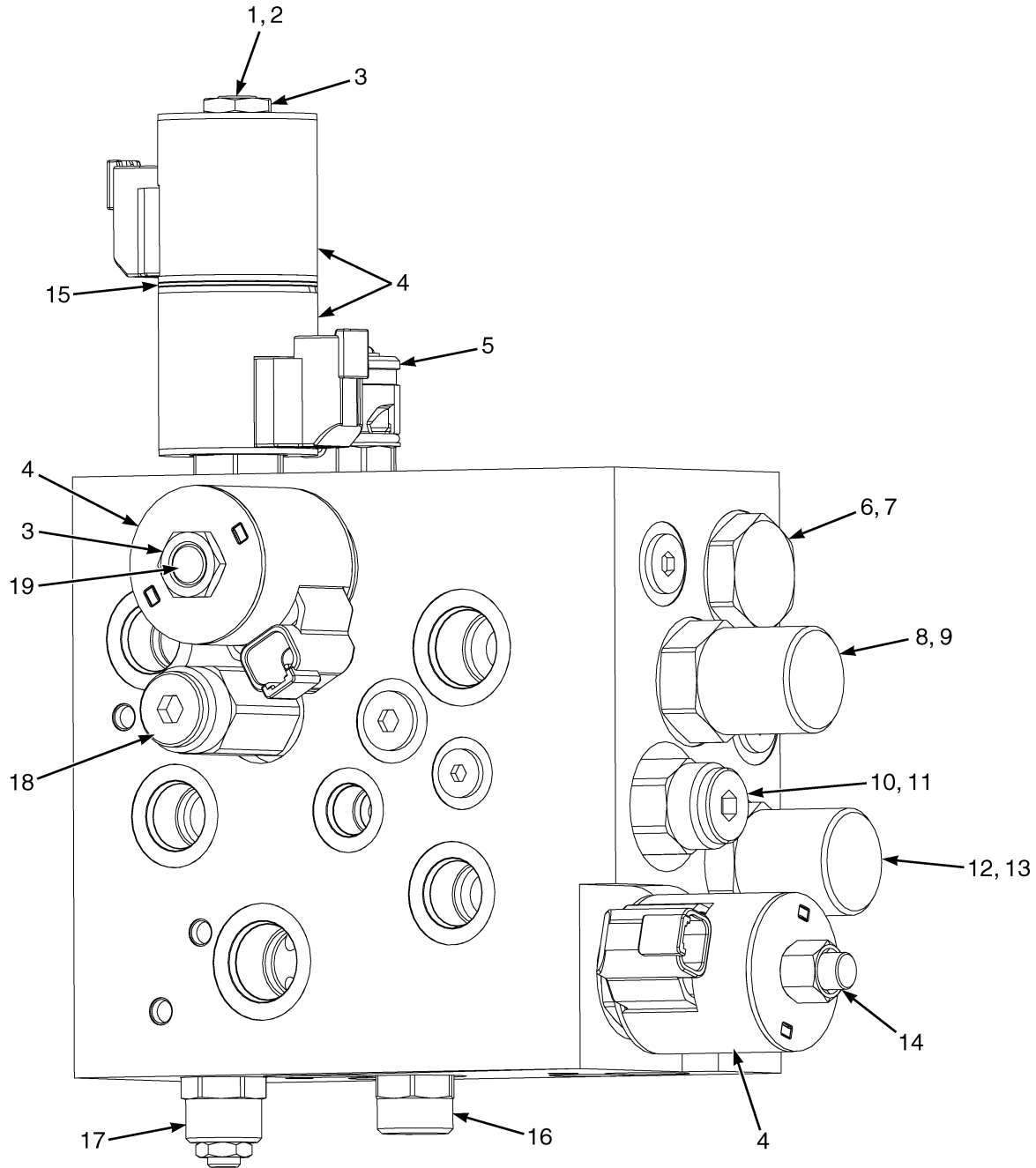
ELECTRONIC HYDRAULIC CONTROL VALVE (FIGURE 6-16)



HP151153

ITEM	PART NO.	DESCRIPTION	QTY
	2078741	Hydraulic Control Valve (Four Function, Standard Flow)	1
	2078743	Hydraulic Control Valve (Three Function, Standard Flow)	1
	2078739	Hydraulic Control Valve (Four Function, High Flow)	1
1	2078737	Valve Section	1
2	2078735	Flow Valve (Three Function, Standard Flow) (☞ Figure 6-18).....	1
2	2078733	Flow Valve (Four Function, Standard Flow) (☞ Figure 6-18).....	1
2	2078734	Flow Valve (Four Function, High Flow) (☞ Figure 6-19).....	1
3	1615777	Washer	4
4	1615778	Nut	4
5	1615779	Stud	4

**MAIN SECTION (FIGURE 6-17)
ELECTRONIC HYDRAULIC CONTROL VALVE**

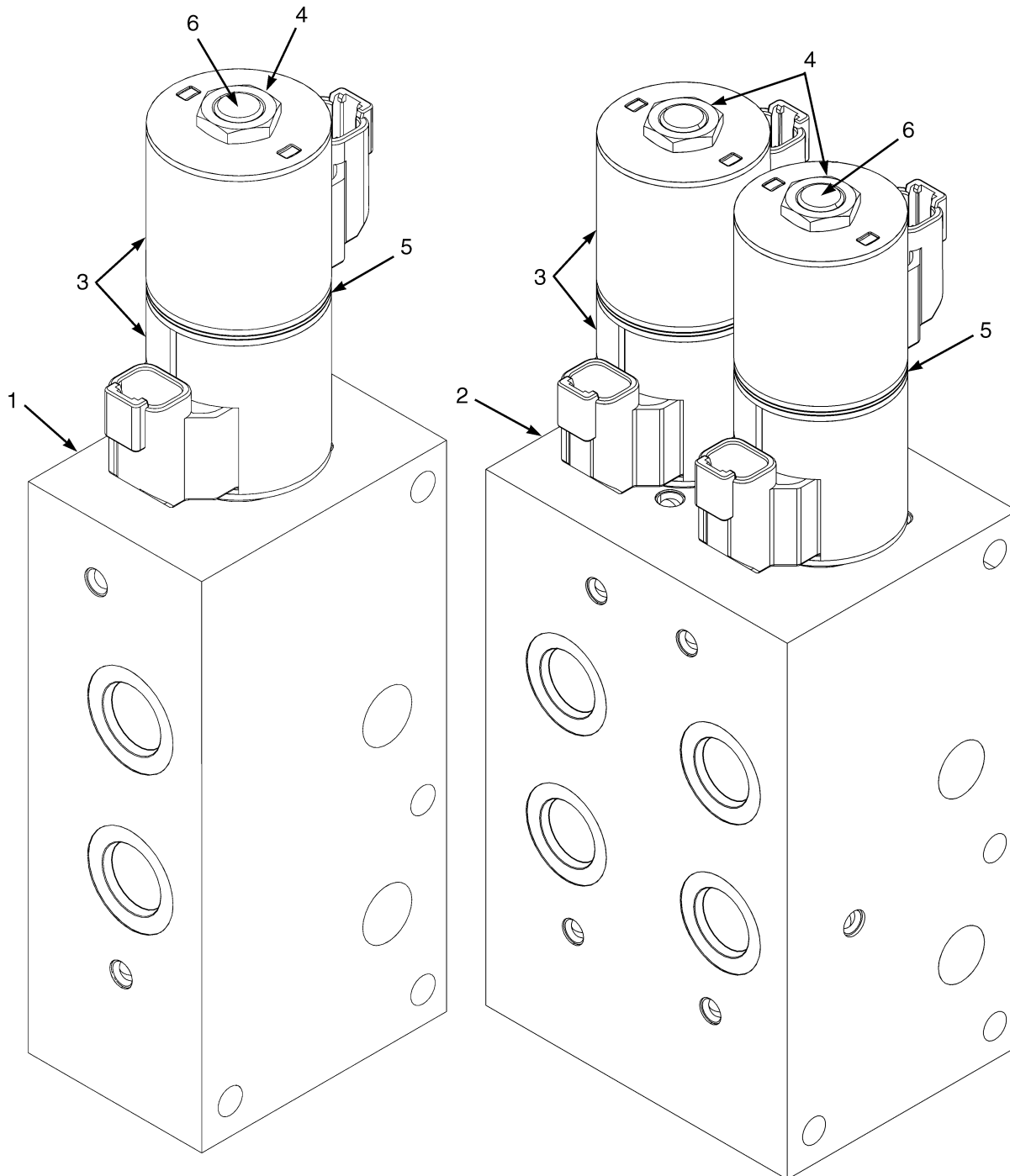


HP140023

MAIN SECTION
ELECTRONIC HYDRAULIC CONTROL VALVE

ITEM	PART NO.	DESCRIPTION	QTY
	2078737	Valve Section	1
1	1614936	Solenoid Valve	1
2	1612112	Kit-Seal	1
2	1615769		
	1701394	Locknut	1
3	1634467	Nut	2
4	1612113	Coil	4
5	2061646	Fitting (Diagnostic)	1
6	1524195	Valve	1
7	1614945	Kit-Seal	1
8	1614940	Compensator	1
9	1614947	Kit-Seal	1
10	1649520	Relief Valve	1
11	1335548		
	1517905	Kit-Seal	2
12	1614939	Compensator	1
13	1614946	Kit-Seal	1
14	1635587	Solenoid Valve (Lowering)	1
14	1614945	Kit-Seal	1
15	1612111	Spacer	1
16	2047855	Flow Valve	1
16	1618482	Kit-Valve	1
17	1614935	Cartridge (Counterbalance)	1
17	1614944	Kit-Seal	1
18	4015128	Valve (Regulator)	1
18	1335548		
	1517905	Kit-Seal	1
19	1635588	Solenoid Valve (Lifting)	1
19	1614945	Kit-Seal	1
19	1615769		
	1701394	Locknut	1

AUXILIARY SECTION (FIGURE 6-18) STANDARD FLOW — ELECTRONIC HYDRAULIC CONTROL VALVE



HP140021

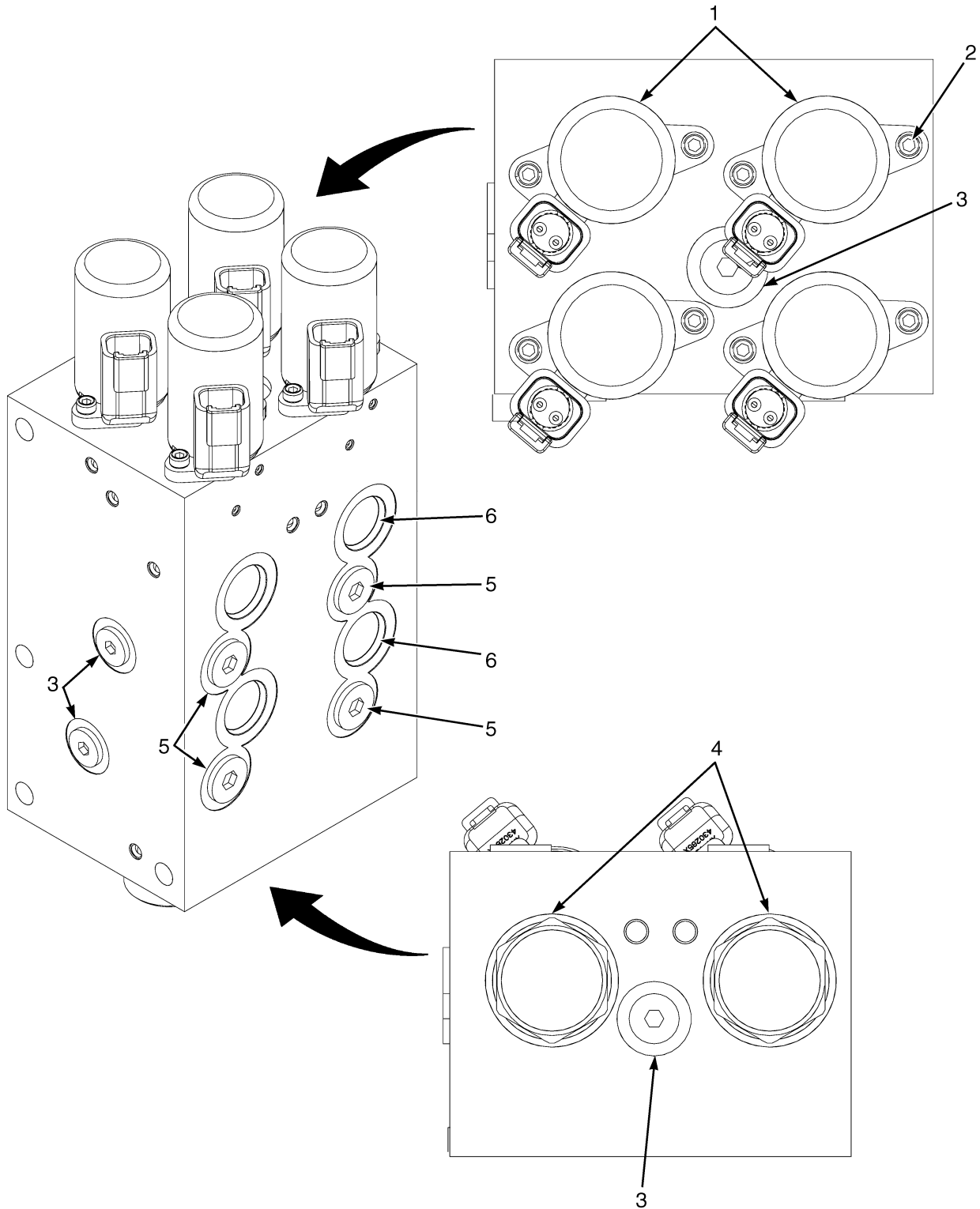
AUXILIARY SECTION
STANDARD FLOW – ELECTRONIC HYDRAULIC CONTROL VALVE

KEY:**A: Three Function****B: Four Function**

ITEM	PART NO.	DESCRIPTION	QTY	
			A	B
1	2078735	Flow Valve (Three Function, Standard Flow)	1	..
2	2078733	Flow Valve (Four Function, Standard Flow)	1
3	1612113	Coil	2	4
4	1612110	Nut	1	2
5	1612111	Spacer	1	2
6	1614936	Solenoid Valve	1	2
	a 1612112	Kit-Seal	1	2
	a	O-Ring	2	4
	a	Back-Up Ring	2	4

FOOTNOTES:**a** Not Illustrated

AUXILIARY SECTION (FIGURE 6-19)
HIGH FLOW — ELECTRONIC HYDRAULIC CONTROL VALVE

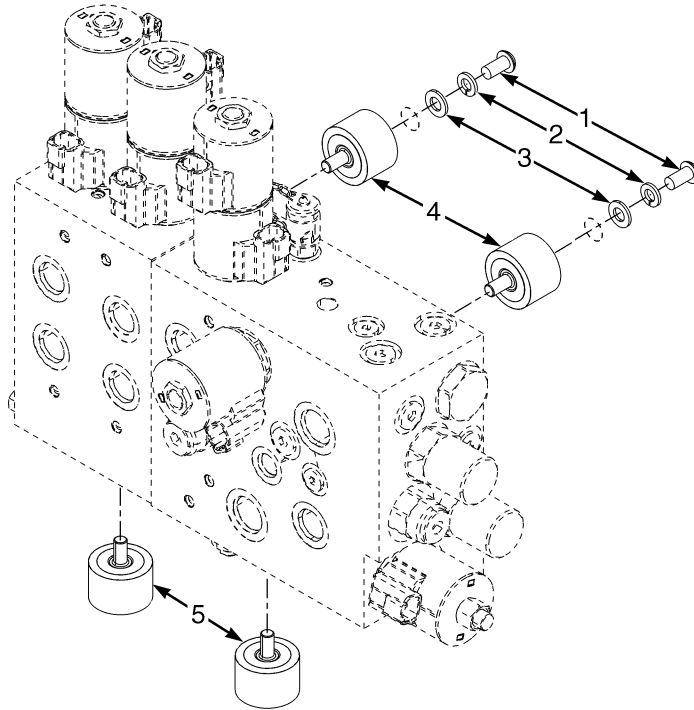


HP140022

AUXILIARY SECTION
HIGH FLOW – ELECTRONIC HYDRAULIC CONTROL VALVE

ITEM	PART NO.	DESCRIPTION	QTY
	2078734	Flow Valve (Four Function, High Flow)	1
1	1612120	Solenoid Valve	4
1	O-Ring	3
1	Back-Up Ring	2
2	292670	Capscrew	8
3	1335546	Plug	4
3	16481	O-Ring	1
4	1612119	Cartridge	2
4	O-Ring	6
4	Back-Up Ring	8
5	1335547	Plug	4
5	1612108	O-Ring	1
	1612106	Kit-Seal	1
	1612107	Kit-Seal	1

CONTROL VALVE ATTACHING PARTS (FIGURE 6-20) ELECTRONIC HYDRAULICS



HP151041

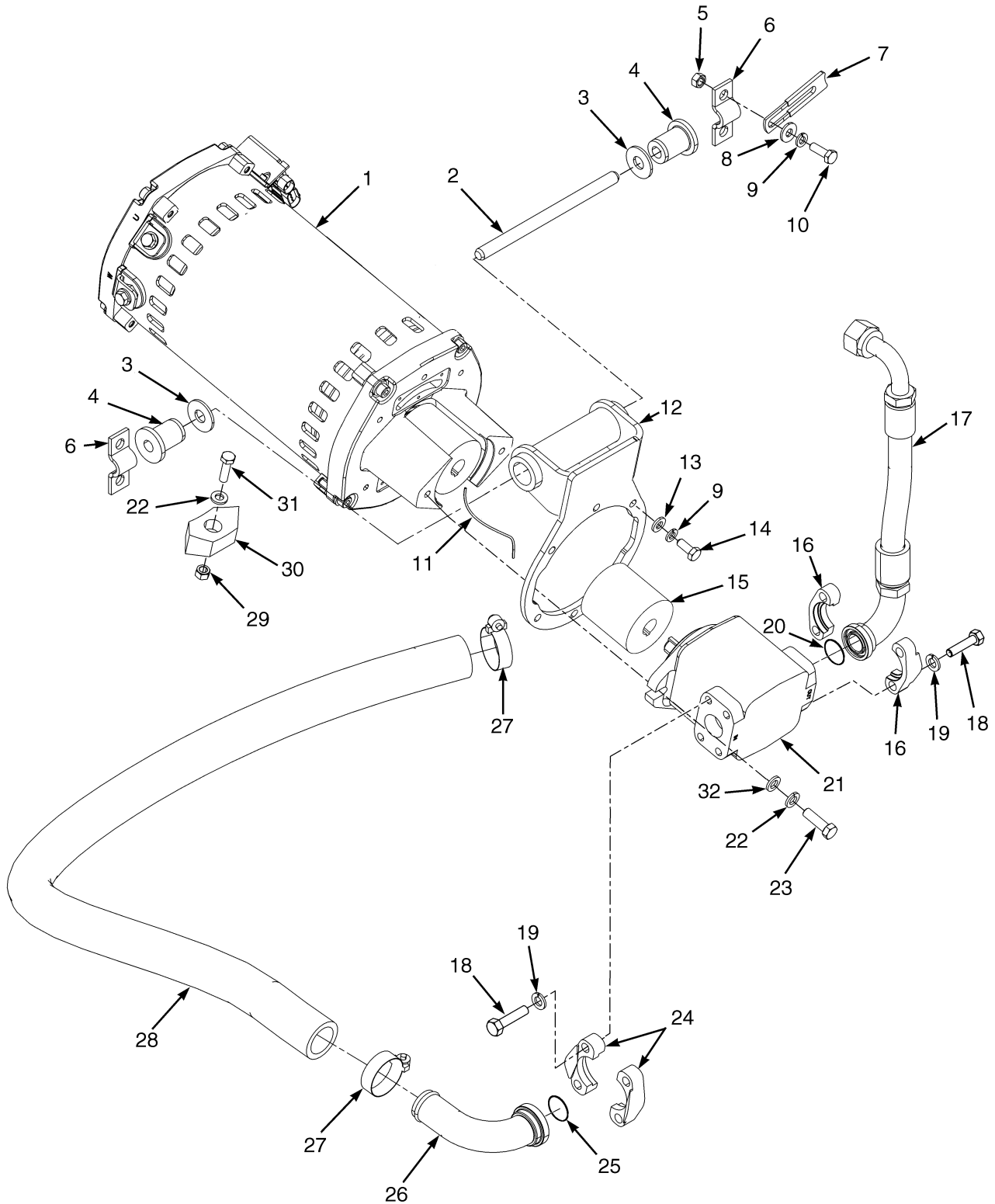
KEY:

A: Standard Flow (Three And Four Function)

B: High Flow (Four Function)

ITEM	PART NO.	DESCRIPTION	QTY	
			A	B
1	296165	Capscrew	2	3
2	296418	Washer	2	3
3	292681	Lockwasher	2	3
4	207768	Mount	2	3
5	2081373	Mount	2	2

HYDRAULIC PUMP MOTOR ATTACHING PARTS (FIGURE 6-21)



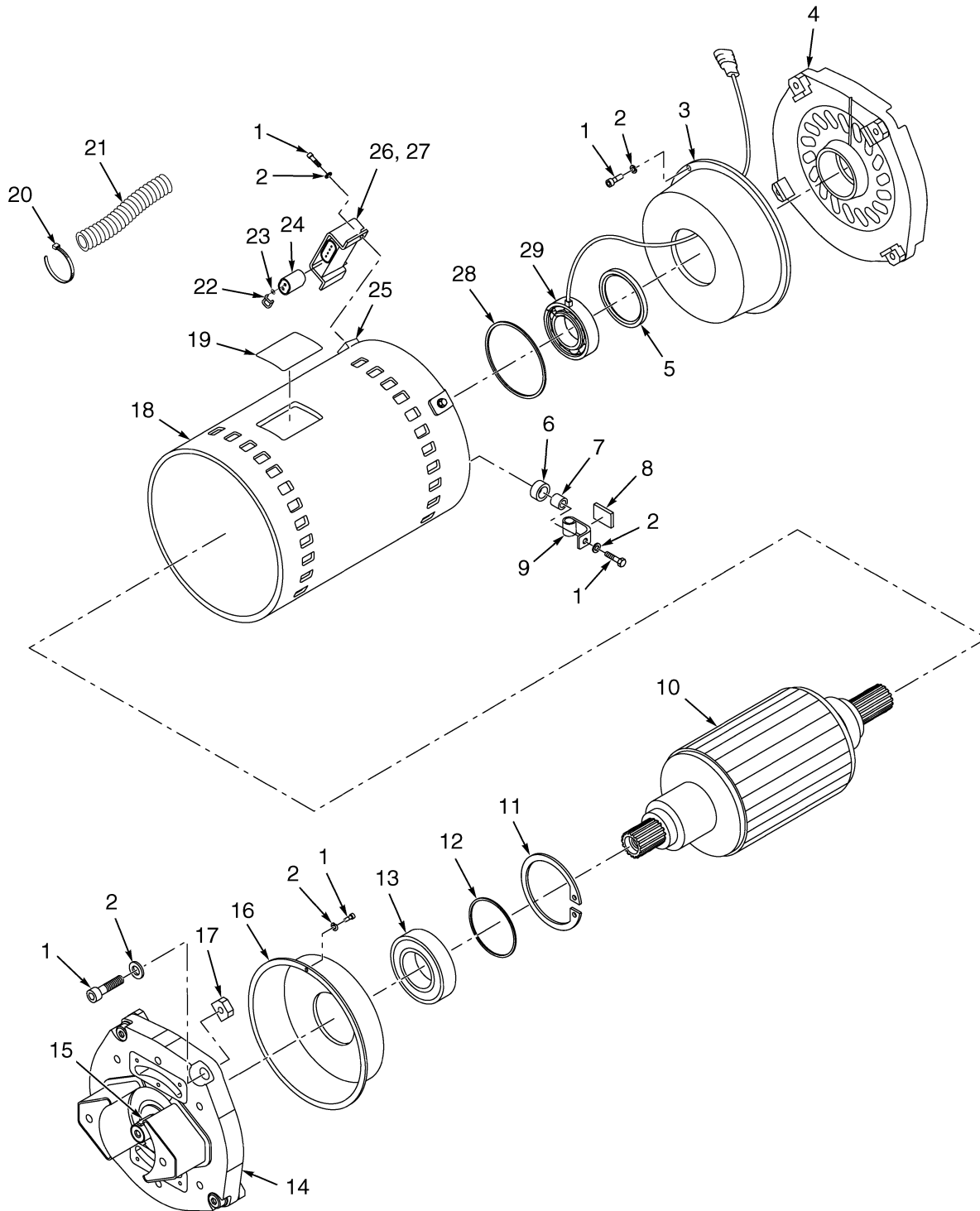
HP151012

HYDRAULIC PUMP MOTOR ATTACHING PARTS

ITEM	PART NO.	DESCRIPTION	QTY
1	bc 2096233	Pump (Low Noise) (AC Hydraulics-Option) (☞ Figure 6-22).....	1
1	2063339	Pump Motor (AC Hydraulics) (☞ Figure 6-22).....	1
1	2045529	Pump Motor (DC Hydraulics, Open Construction, Manual Hydraulics Only)	1
2	325058	Rod	1
3	15178	Washer	2
4	373875	Grommet	2
5	239503	Nut	4
6	355374	Clamp	2
7	1350914	Strap , Bracket	1
8	320158	Washer	4
9	292681	Lockwasher	10
10	136749	Screw	4
11	1351150	Cable Assy	1
12	1610916	Bracket Wldmt	1
13	320157	Washer	8
14	136681	Capscrew	6
15	1453260	Coupling	1
15	4002241	Coupling (Spider)	1
16	160266	Clamp (Split Half)	2
17	2081346	Hose Assy	1
18	136985	Capscrew	8
19	388049 292682	Lockwasher	8
20	61056	O-Ring	1
21	2076074	Hydraulic Pump (☞ Figure 6-24).....	1
22	15156	Lockwasher	2
23	16828	Capscrew	2
24	190757	Clamp (Split Half)	2
25	15866	O-Ring	1
26	222584	Fitting	1
27	369804	Clamp	2
28	2081345	Hose	1
29	313828	Nut	1
30	355327	Bumper	1
31	176640	Bolt	1
32	15134	Washer	2
	a 1510058	Key	1
	1657835	Kit-Seal	1

FOOTNOTES:**a** Not Illustrated**b** S/N F114A01887E ↔ S/N F114A02390G**c** S/N F114B01501G →

HYDRAULIC PUMP MOTOR ASSEMBLY (FIGURE 6-22) AC HYDRAULICS, OPEN CONSTRUCTION — MANUAL AND ELECTRONIC HYDRAULICS



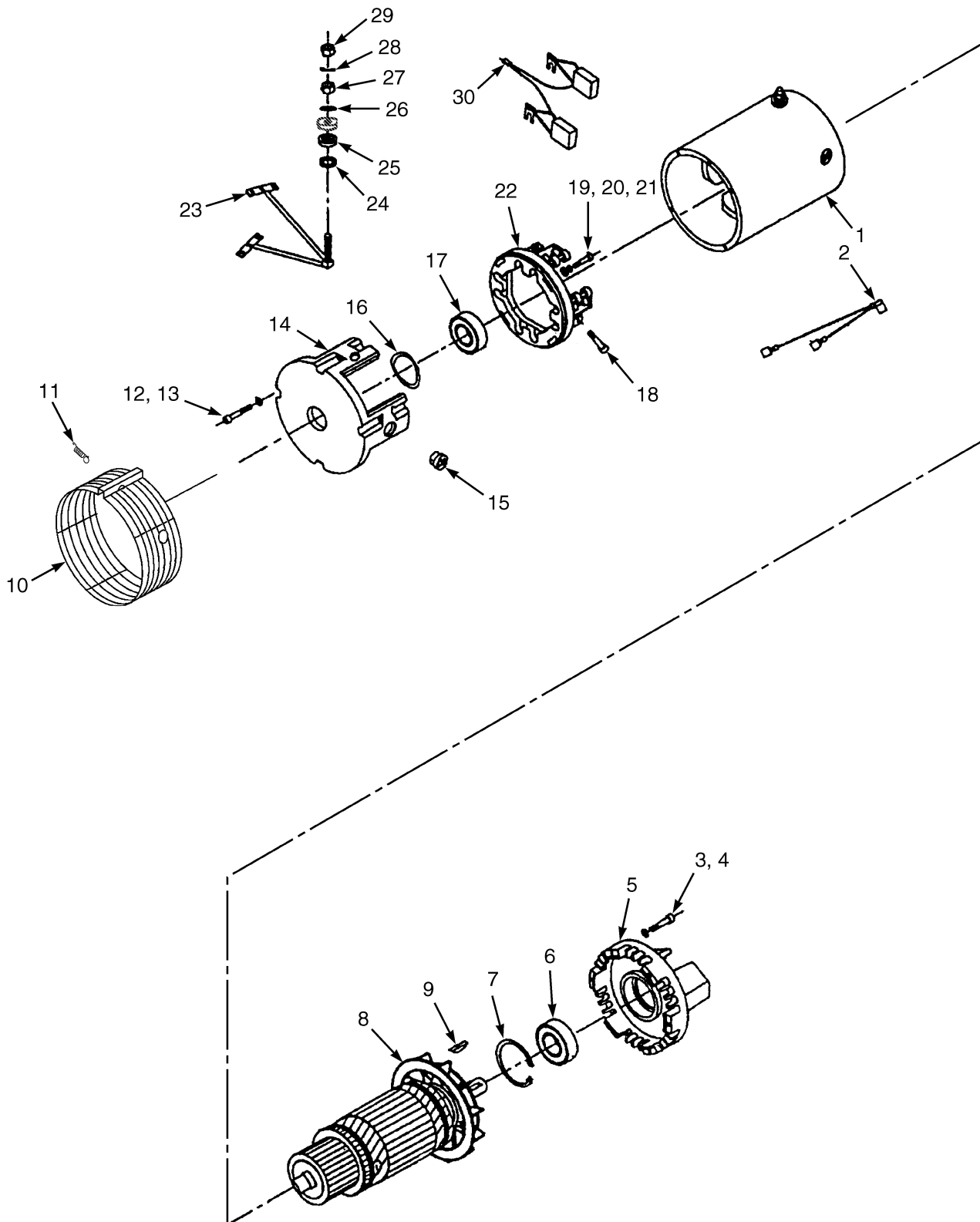
YP150253

HYDRAULIC PUMP MOTOR ASSEMBLY
AC HYDRAULICS, OPEN CONSTRUCTION – MANUAL AND ELECTRONIC HYDRAULICS

ITEM	PART NO.	DESCRIPTION	QTY
	ab 2096233	Pump (Low Noise) (AC Hydraulics-Option)	1
	2063339	Pump Motor	1
1	Capscrew	6
2	Lockwasher	8
3	Air Guide (Non-Drive End)	1
4	End Bell (Non-Drive End)	1
5	1555902	Spring	1
6	Terminal Block	3
7	1555891	Nut	3
8	Cover	3
9	Terminal Flag	3
10	Rotor	1
11	Retaining Ring	1
12	O-Ring	1
13	1555907	Ball Bearing	1
14	End Bell (Drive End)	1
15	Key	1
16	Air Guide (Drive End)	1
17	1555881	Nut	8
18	Housing	1
19	Nameplate	1
20	Cable Tie	AR
21	Tube	AR
22	Pin	2
23	Seal	2
24	Connector	1
25	1555892	Rubber Mount	1
26	Bracket	1
27	1555894	Bracket	1
28	1555903	O-Ring	1
29	1555908	Bearing with Sensor (Encoder)	1
	1657835	Kit-Seal	1
	1648202	Kit-Terminal	1

FOOTNOTES:**a** S/N F114A01887E ↔ S/N F114A02390G**b** S/N F114B01501G →

HYDRAULIC PUMP MOTOR ASSEMBLY (FIGURE 6-23) DC HYDRAULICS, OPEN CONSTRUCTION — MANUAL HYDRAULICS



HP151018

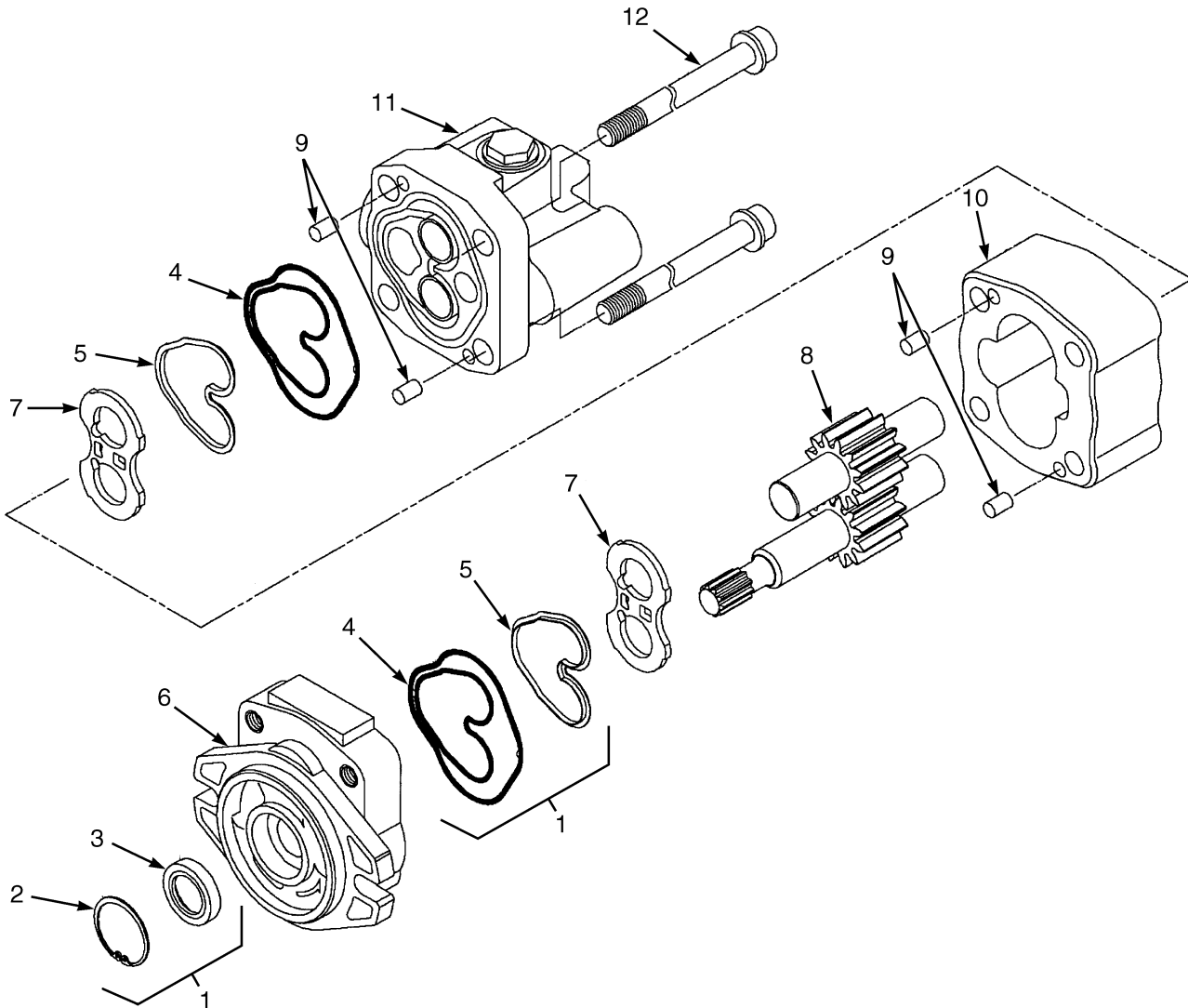
HYDRAULIC PUMP MOTOR ASSEMBLY
DC HYDRAULICS, OPEN CONSTRUCTION – MANUAL HYDRAULICS

ITEM	PART NO.	DESCRIPTION	QTY
	b 2045529	Pump Motor	1
	c 2045528	Hydraulic Motor	1
1	b 1507426	Frame	1
1	c 1502090	Frame	1
2	1507461	Connector (Brush Wear Indicator)	1
3	1502094	Capscrew	6
4	1502095	Washer	10
5	1507427	Shield (Bearing End)	1
6	1502092	Bearing	1
7	1502093 12921	Snap Ring	1
8	1507425	Armature	1
8	a 4014363	Armature (Without Fan)	1
8	1565025	Fan	1
8	1618982	Bushing	1
9	1507463	Key (Woodruff)	1
10	1502114	Cover Band	1
11	1502115	Spring	2
11	1453337	Spring (Alternate Part)	2
12	1502111	Screw	4
13	1502095	Washer	10
14	b 1507429	Shield	1
14	c 1507428	Shield (N)	1
15	1507430	Electrical Plug (Tab)	1
16	1502110 384277	Disk	1
17	1471800	Bearing	1
18	1502098	Capscrew	8
19	1502099	Screw	4
20	1502100	Washer	4
21	1502101	Lockwasher	4
22	1502097	Brush Holder	1
23	1502102	Connector	1
24	1502105	Washer (Tooth Spring)	1
25	1502104	Bushing	2
26	1502108	Spring	1
27	1494610	Nut	1
28	1502106 1494611	Spring Washer	1
29	292654	Nut	1
30	c 1507462	Brush	4
30	b 1502113	Brush	4

FOOTNOTES:

- a** Service with Fan 1565025 and Bushing 1618982 **c** Without BWI and Temperature Sensor
b With BWI and Temperature Sensor

HYDRAULIC GEAR PUMP ASSEMBLY (FIGURE 6-24) 19 CC — MANUAL OR ELECTRONIC HYDRAULICS



HP151014

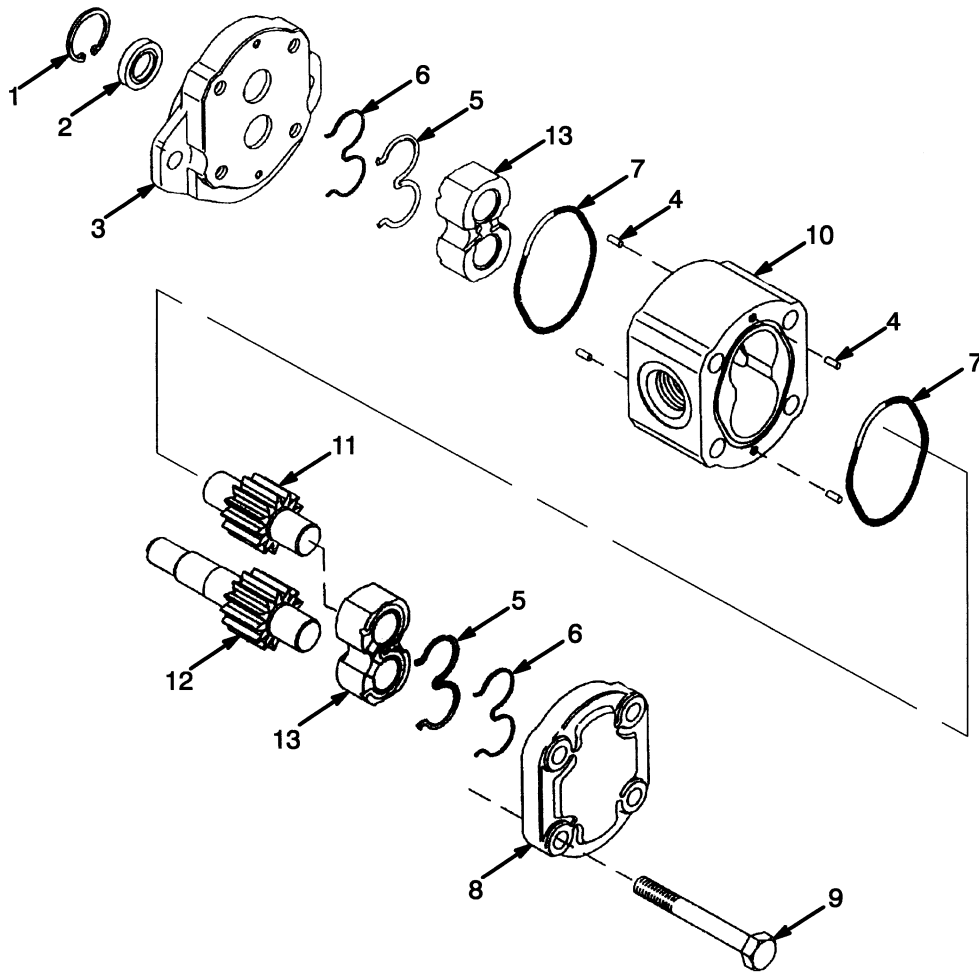
HYDRAULIC GEAR PUMP ASSEMBLY
19 CC – MANUAL OR ELECTRONIC HYDRAULICS

ITEM	PART NO.	DESCRIPTION	QTY
	2076074	Hydraulic Pump	1
1	1465140	Kit-Seal	1
2	Snap Ring	1
3	Oil Seal	1
4	Back-Up Seal	2
5	Plate Seal	2
6	1622213	Flange	1
7	1622215	Side Plate	2
8	1622217	Gear Set	1
8	Drive Gear	1
8	Driven Gear	1
9	1578672	Dowel	4
10	Gear Plate	1
11	1622214	Cover	1
12	1622216	Screw	4
	a 26617	Woodruff Key	1

FOOTNOTES:

a Not Illustrated

HYDRAULIC GEAR PUMP ASSEMBLY (FIGURE 6-25) 12 CC — MANUAL HYDRAULICS



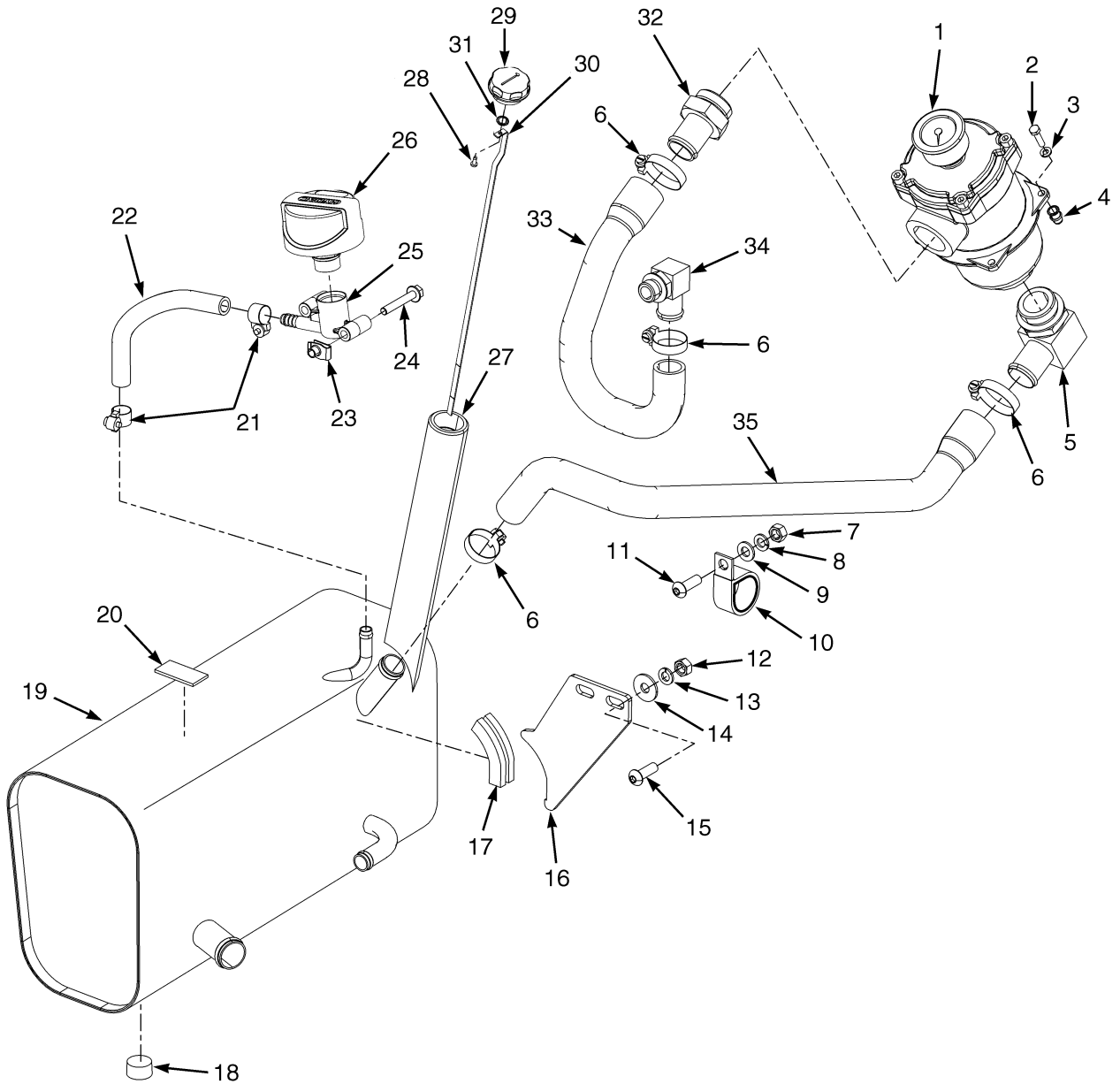
HP150192

**HYDRAULIC GEAR PUMP ASSEMBLY
12 CC – MANUAL HYDRAULICS**

ITEM	PART NO.	DESCRIPTION	QTY
	1374878	Pump	1
1	2303239	Retaining Ring	1
2	1371741	Seal	1
3	2308872	Flange	1
4	2309481	Dowel	4
5	Seal	2
6	Back-Up Ring	2
7	O-Ring	2
8	1376425	End Cover	1
9	1376426	Bolt	4
10	Housing	1
11	Idler Gear	1
12	Drive Gear	1
13	Bearing Block	2
	a 1510058	Key	1
	a	O-Ring	2
	1376427	Kit-Flange	1
	1371746	Kit-Seal	1

FOOTNOTES:**a** Not Illustrated

HYDRAULIC OIL TANK (FIGURE 6-26)

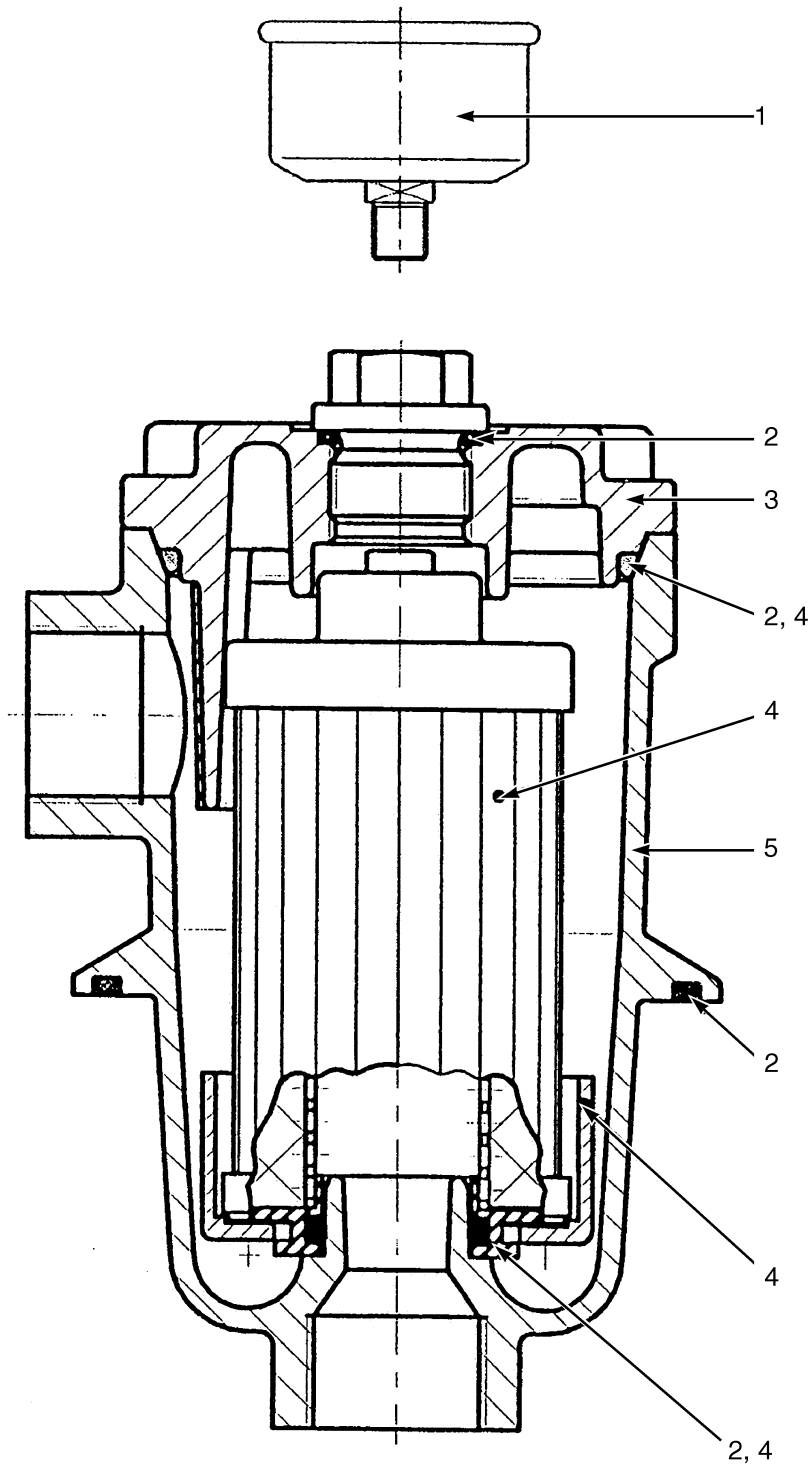


HP151011

HYDRAULIC OIL TANK

ITEM	PART NO.	DESCRIPTION	QTY
1	1589499	Hydraulic Filter (☞ Figure 6-27).....	1
2	287816	Capscrew	4
3	292680	Washer	4
4	1531001	Insert	4
5	213619	Fitting	1
5	16983	O-Ring	1
6	127045	Clamp (Hose)	4
7	136692	Nut	1
8	388049		
	292682	Lockwasher	1
9	320159	Washer	1
10	258590	Clamp	1
11	296174	Capscrew	1
12	136692	Nut	2
13	388049		
	292682	Lockwasher	2
14	1356113	Washer	2
15	296174	Capscrew	2
16	2023936	Plate	1
17	1364280	Strip Seal	1
18	246869	Plug (Magnetic)	1
19	2023935	Hydraulic Tank	1
20	261157	Foam Tape	1
21	166857	Clamp	2
22	1614069	Hose	1
23	1385535	Nut	2
24	1510115	Capscrew	2
25	1582160	Adapter (Breather)	1
26	1582161	Breather	1
26	16486	O-Ring (Not Illustrated)	1
27	2023938	Dipstick	1
28	244272	Screw	1
29	218612	Cap	1
30	2023937	Dipstick	1
31	16487	O-Ring	1
32	78459	Fitting	1
32	16983	O-Ring	1
33	2079362	Hose (Electronic Hydraulics)	1
33	2079363	Hose (Manual Hydraulics)	1
34	1343452	Fitting	1
34	16485	O-Ring	1
35	2079364	Hose	1

HYDRAULIC FILTER (FIGURE 6-27)



BP150132

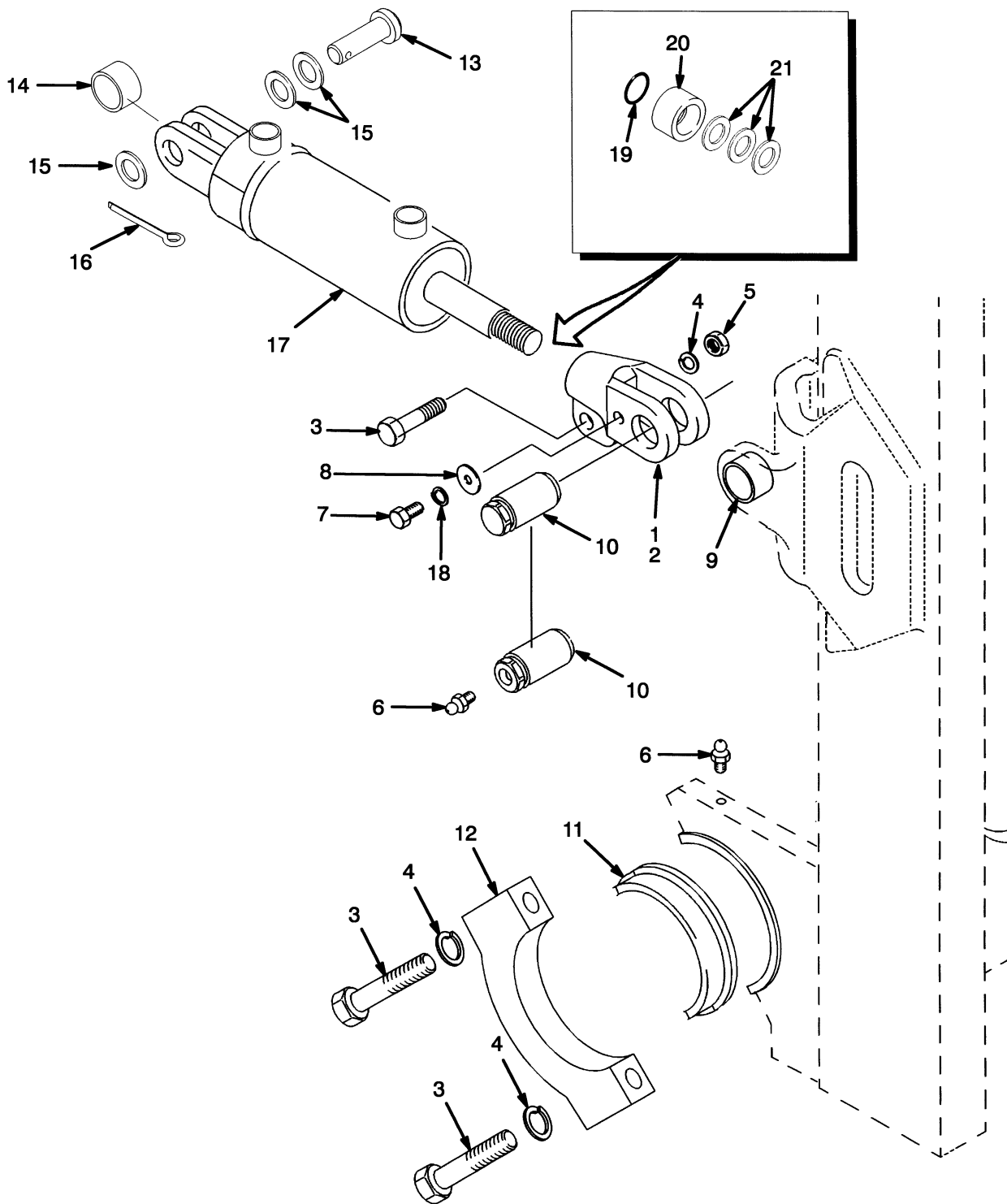
HYDRAULIC FILTER

ITEM	PART NO.	DESCRIPTION	QTY
	1589499	Hydraulic Filter	1
1	1611583	Indicator	1
2	Element O-Ring	1
2	Cover O-Ring	1
2	Adaptor Seal	1
2	Tank O-Ring	1
3	Cover	1
4	1611582	Kit-Filter Element	1
4	O-Ring (Cover)	1
4	Element	1
4	O-Ring (Element)	1
4	Retainer (Contamination)	1
5	Housing	1
	a 16337	Capscrew (Lid)	4
	1611586	Kit-Seal	1

FOOTNOTES:

a Not Illustrated

MAST INSTALLATION (FIGURE 6-28)



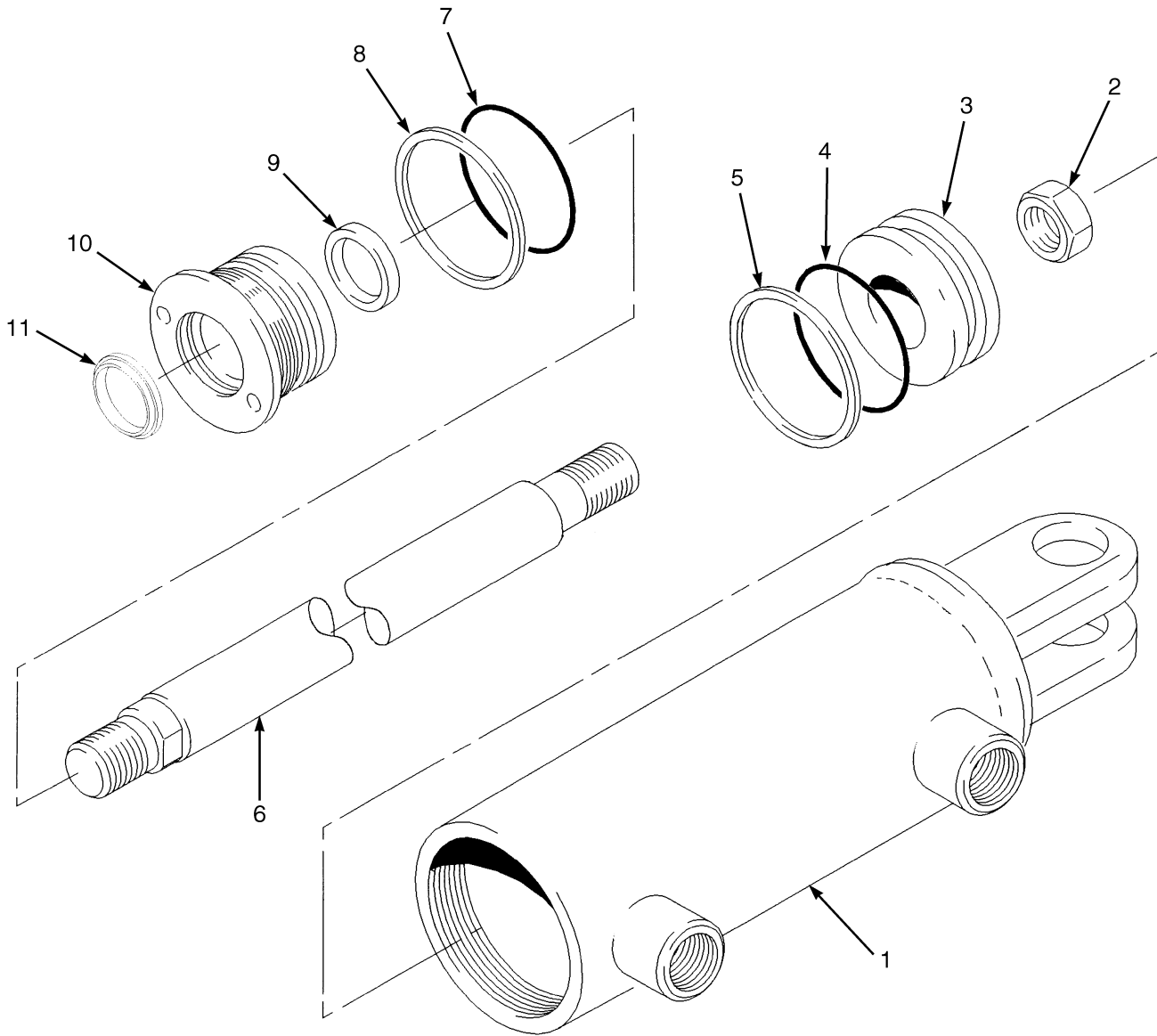
HP170225

MAST INSTALLATION

ITEM	PART NO.	DESCRIPTION	QTY
1	1363260	Rod End (RH)	1
2	1363261	Rod End (LH)	1
3	293651	Capscrew	2
4	292683	Lockwasher	2
6	16001	Grease Fitting	2
7	292514	Capscrew	2
8	1371287	Washer	2
9	1348185	Bushing	2
10	1348187	Pin	2
11	2053761	Bushing (Trunnion)	2
12	1370722	Cap	2
13	1371526	Pin	2
13	16015	Grease Fitting	2
14	300982	Bushing	2
15	197069	Washer	6
16	15236	Cotter Pin	2
17	2311286	Cylinder Assy (6° Forward)	2
17	2304462	Cylinder Assy (10° Forward)	2
18	388049 292682	Lockwasher	2
19	b 15865	O-Ring	2
20	b 1381550	Spacer	2
21	b 1363268	Shim (1,727 mm)	AR
21	b 1363269	Shim (0,813 mm)	AR
	a 2093124	Hose Assy (Supply Hose) (Manual Hydraulics)	1
	ac 2083657	Hose Assy (Supply Hose) (Electronic Hydraulics)	1
	ad 2096847	Hose Assy (Supply Hose) (Electronic Hydraulics)	1

FOOTNOTES:**a** Not Illustrated**b** Used with 5° Back Tilt**c** → S/N F114A02390G**d** S/N F114B01501G →

TILT CYLINDER (FIGURE 6-29)



HP151007

TILT CYLINDER

ITEM	PART NO.	DESCRIPTION	QTY
	2311286	Cylinder Assy (6° Forward/5° Back and 6° Forward/8° Back)	1
1	2303813	Tube Wldmt-Cylinder	1
2	2302899	Locknut	1
3	2308174	Piston	1
4	39374	O-Ring	1
5	2044379	Piston Seal	1
6	2311444	Cylinder Rod	1
7	57664	O-Ring	1
8	166659	Back-Up Ring	1
9	1381094	Rod Seal	1
10	2047064	Gland	1
11	1383061	Rod Wiper	1
	1494719	Kit-Seal	1

7

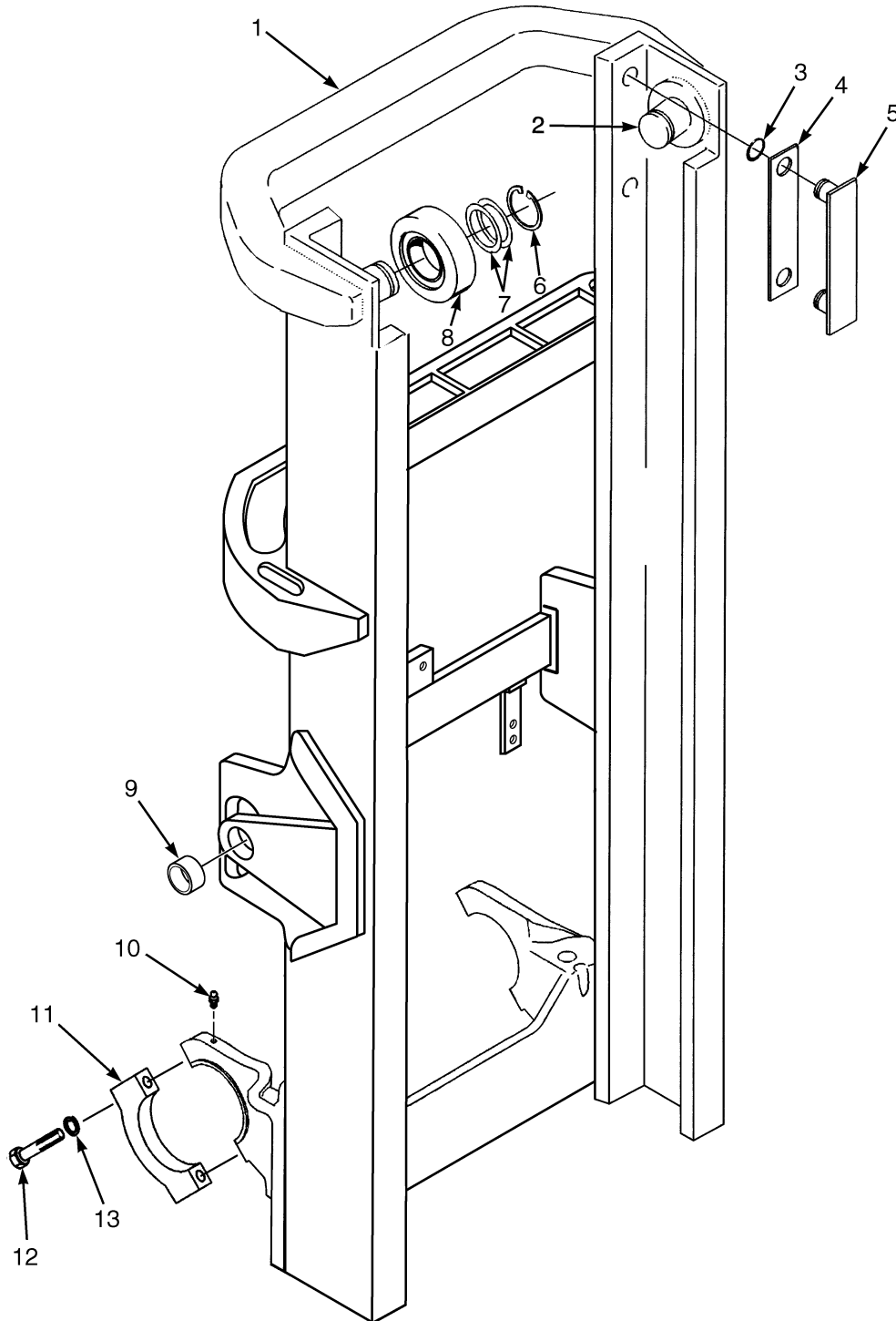
MAST-TWO STAGE LIMITED FREE-LIFT

SECTION 7

MAST-TWO STAGE LIMITED FREE-LIFT

DESCRIPTION	PAGE
CARRIAGE	
TWO STAGE LIMITED FREE-LIFT	7-14
HEADER HOSES	
TWO STAGE LIMITED FREE-LIFT	7-16
INNER MAST	
TWO STAGE LIMITED FREE-LIFT	7-4
MAIN LIFT	
TWO STAGE LIMITED FREE-LIFT	7-6
MAIN LIFT CYLINDER - LH	
TWO STAGE LIMITED FREE-LIFT	7-10
MAIN LIFT CYLINDER - RH	
TWO STAGE LIMITED FREE-LIFT	7-12
OUTER MAST	
TWO STAGE LIMITED FREE-LIFT	7-2

OUTER MAST (FIGURE 7-1) TWO STAGE LIMITED FREE-LIFT



BP170189

**OUTER MAST
TWO STAGE LIMITED FREE-LIFT**

C551

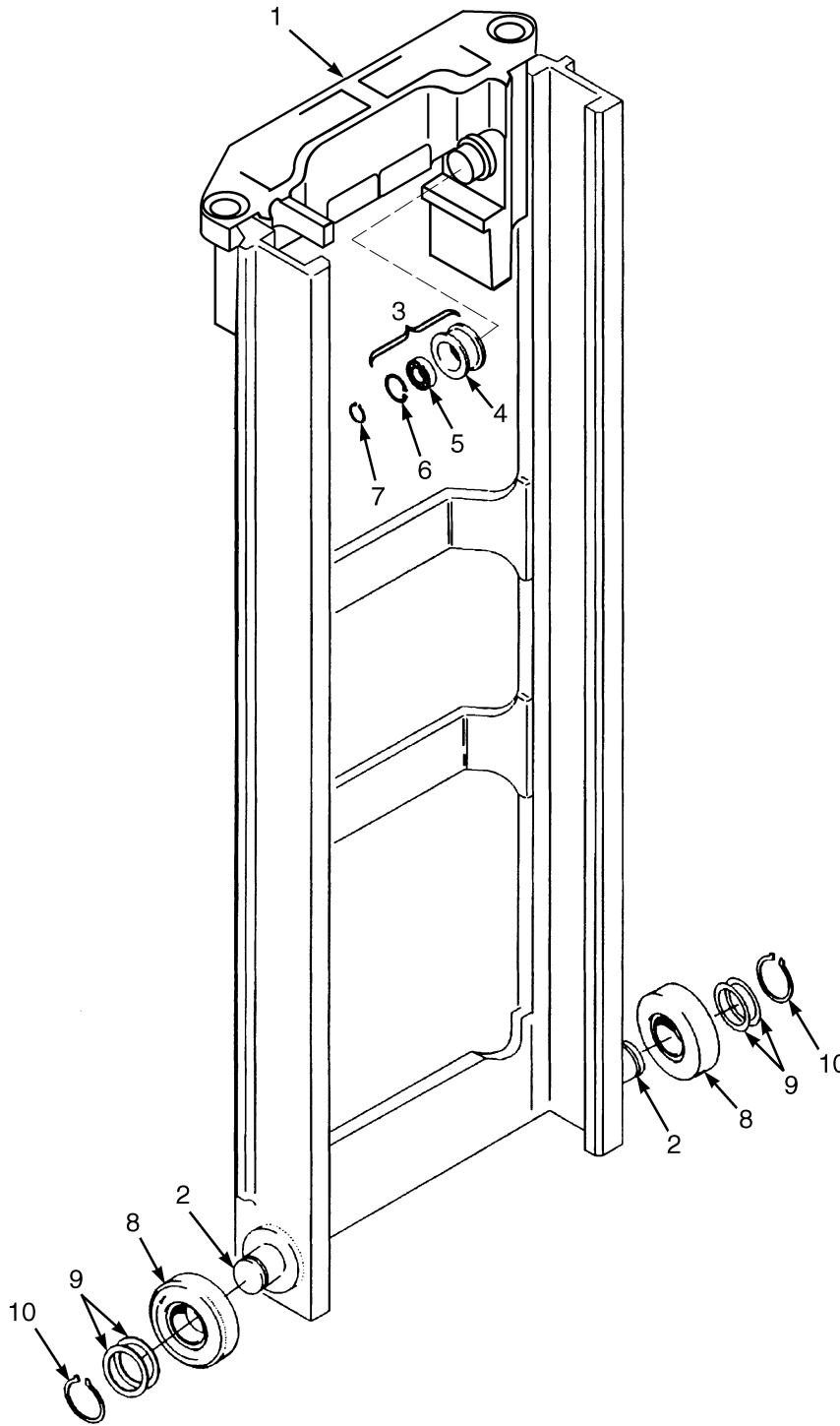
ITEM	DESCRIPTION 1 2 3 4	LIFT HEIGHT TO BOTTOM OF FORKS			
		2092 mm (82.4 in.)	2692 mm (106.0 in.)	2892 mm (113.9 in.)	3192 mm (125.7 in.)
		Mast Group Number	C551 2092	C551 2692	C551 2892
	Mast Assy	2079138	2079141	2079143	2079146
1	Outer Mast	1608051	1608054	1608056	1608059

ITEM	PART NO.	DESCRIPTION	QTY
	a	Mast Assy	1
1	a	Outer Mast	1
2	1345216	Stubshaft	2
3	104506	O-Ring	4
4	131716	Shim (0.508 mm)	4
5	215212	Wear Strip	2
6	58901	Snap Ring	2
7	129387	Shim (0.508 mm)	AR
8	1333399	Load Roller ("B") (92.18 mm/91.92 mm)	2
9	1348185	Bushing	2
10	16001	Grease Fitting	2
11	1370722	Cap	2
12	293651	Capscrew	4
13	292683	Lockwasher	4

FOOTNOTES:

a Refer to Table

INNER MAST (FIGURE 7-2) TWO STAGE LIMITED FREE-LIFT



BP170185

**INNER MAST
TWO STAGE LIMITED FREE-LIFT**

C551

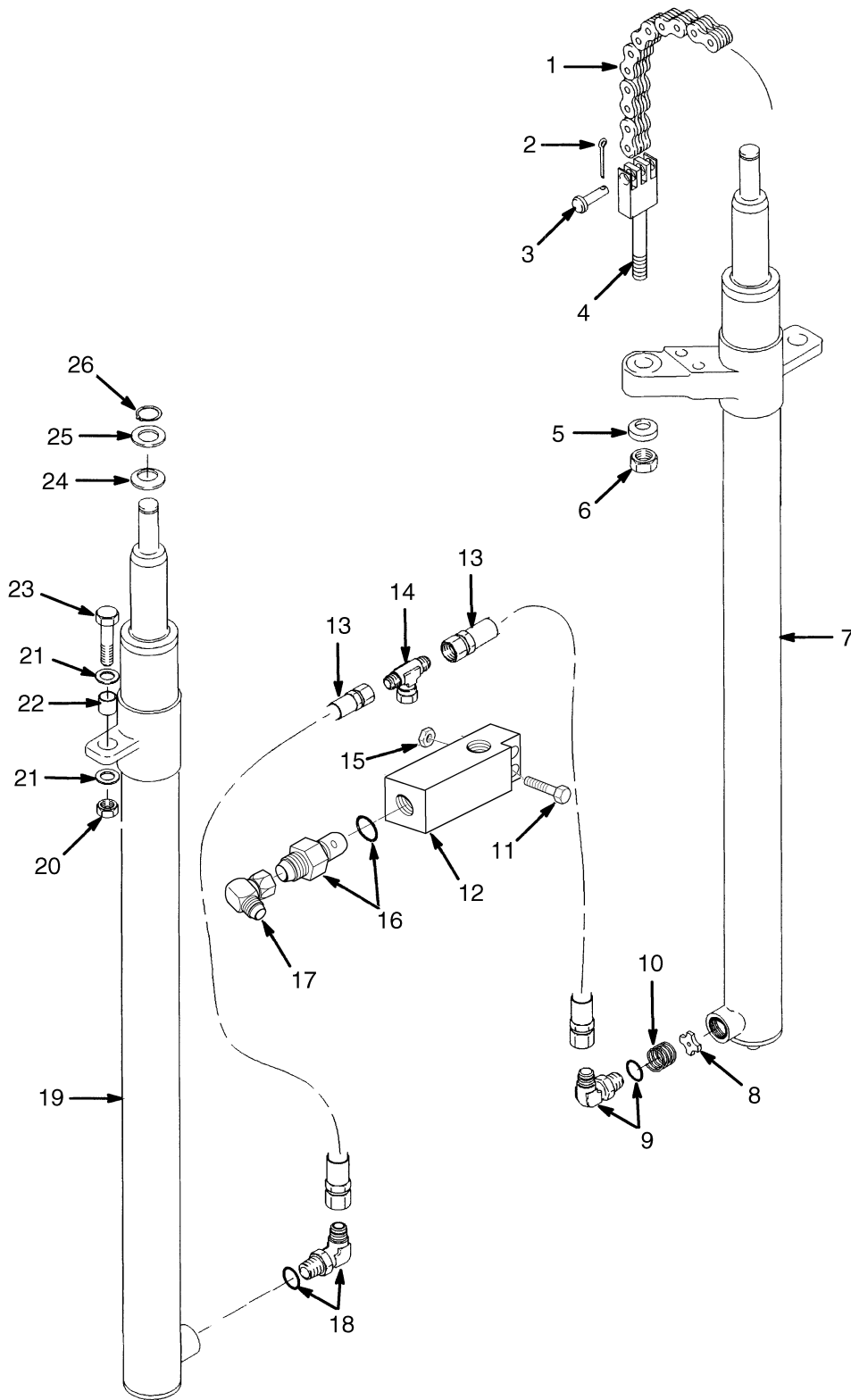
ITEM	DESCRIPTION 1 2 3 4	LIFT HEIGHT TO BOTTOM OF FORKS			
		2092 mm (82.4 in.)	2692 mm (106.0 in.)	2892 mm (113.9 in.)	3192 mm (125.7 in.)
		Mast Group Number	C551 2092	C551 2692	C551 2892
	Mast Assy	2079138	2079141	2079143	2079146
1	Inner Mast	1381605	1348453	1348455	1348458

ITEM	PART NO.	DESCRIPTION	QTY
	a	Mast Assy	1
1	a	Inner Mast	1
2	1345216	Stubshaft	2
3	1379685	Chain Sheave (Assembly)	2
4	1378698	Chain Sheave	1
5	1378699	Ball Bearing	1
6	37752	Snap Ring	1
7	304526	Snap Ring	2
8	1333399	Load Roller ("B") (92.18 mm/91.92 mm)	2
9	129387	Shim (0.508 mm)	AR
10	58901	Snap Ring	2

FOOTNOTES:

a Refer to Table

MAIN LIFT (FIGURE 7-3) TWO STAGE LIMITED FREE-LIFT



BP170157

**MAIN LIFT
TWO STAGE LIMITED FREE-LIFT**

C551

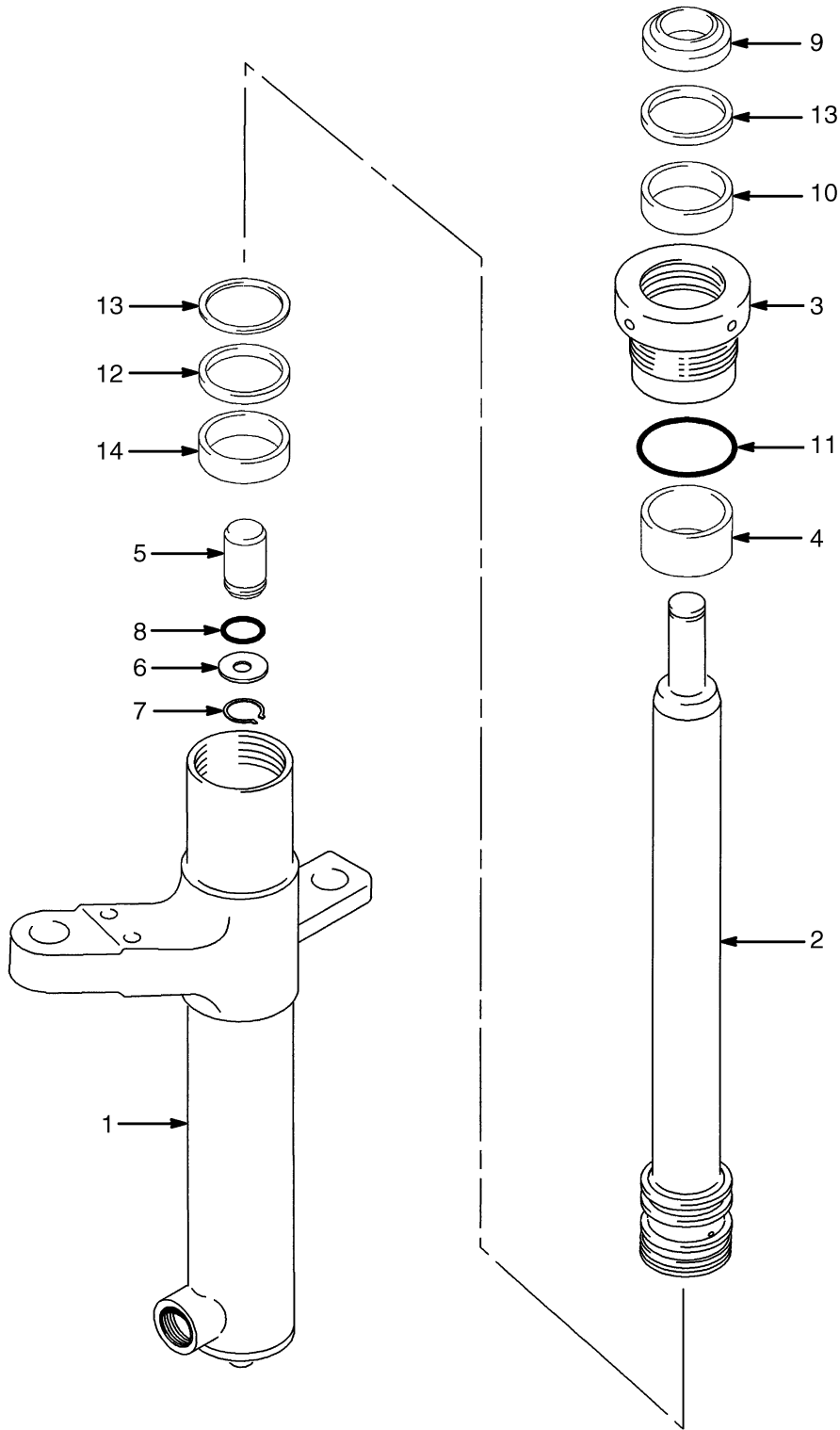
ITEM	DESCRIPTION 1 2 3 4	LIFT HEIGHT TO BOTTOM OF FORKS			
		2092 mm (82.4 in.)	2692 mm (106.0 in.)	2892 mm (113.9 in.)	3192 mm (125.7 in.)
		C551 2092	C551 2692	C551 2892	C551 3192
1	Chain	180074	135619	88436	88441

ITEM	PART NO.	DESCRIPTION	QTY
1	a	Chain	1
2	15211	Cotter Pin	2
3	1514866	Pin	2
4	1369357	Chain Anchor	2
5	297649	Ring	2
6	161003	Nut	2
7	Main Lift Cylinder (LH) (☞ Figure 7-4).....	1
8	323160	Washer	1
9	1481344	Fitting	1
9	252729	O-Ring	1
9	16485	O-Ring	1
10	120938	Spring	1
11	1581583	Capscrew	2
12	1379687	Housing (Lowering Control)	1
13	2084241	Hose Assy	2
14	1532650	Fitting	1
14	252729	O-Ring	1
14	16485	O-Ring	1
15	1581566	Nut	2
16	1481348	Lowering Control Valve	1
16	280154	O-Ring	1
16	16486	O-Ring	1
17	1486773	Fitting	1
17	252729	O-Ring	1
17	16485	O-Ring	1
18	1487067	Fitting	1
18	252729	O-Ring	1
18	16485	O-Ring	1
19	Main Lift Cylinder (RH) (☞ Figure 7-5).....	1
20	1581849	Nut	2
21	1581852	Washer	4
22	323090	Spacer	2
23	1581829	Capscrew	2
24	1354915	Washer (0.254 mm)	AR
24	1354916	Washer (0.762 mm)	AR
24	1354917	Washer (1.524 mm)	AR
25	1333382	Washer (1.500 mm)	2
26	131358	Snap Ring	2

FOOTNOTES:

- a Refer to Table

**MAIN LIFT CYLINDER - LH (FIGURE 7-4)
TWO STAGE LIMITED FREE-LIFT**



HP171197

**MAIN LIFT CYLINDER - LH
TWO STAGE LIMITED FREE-LIFT****C551**

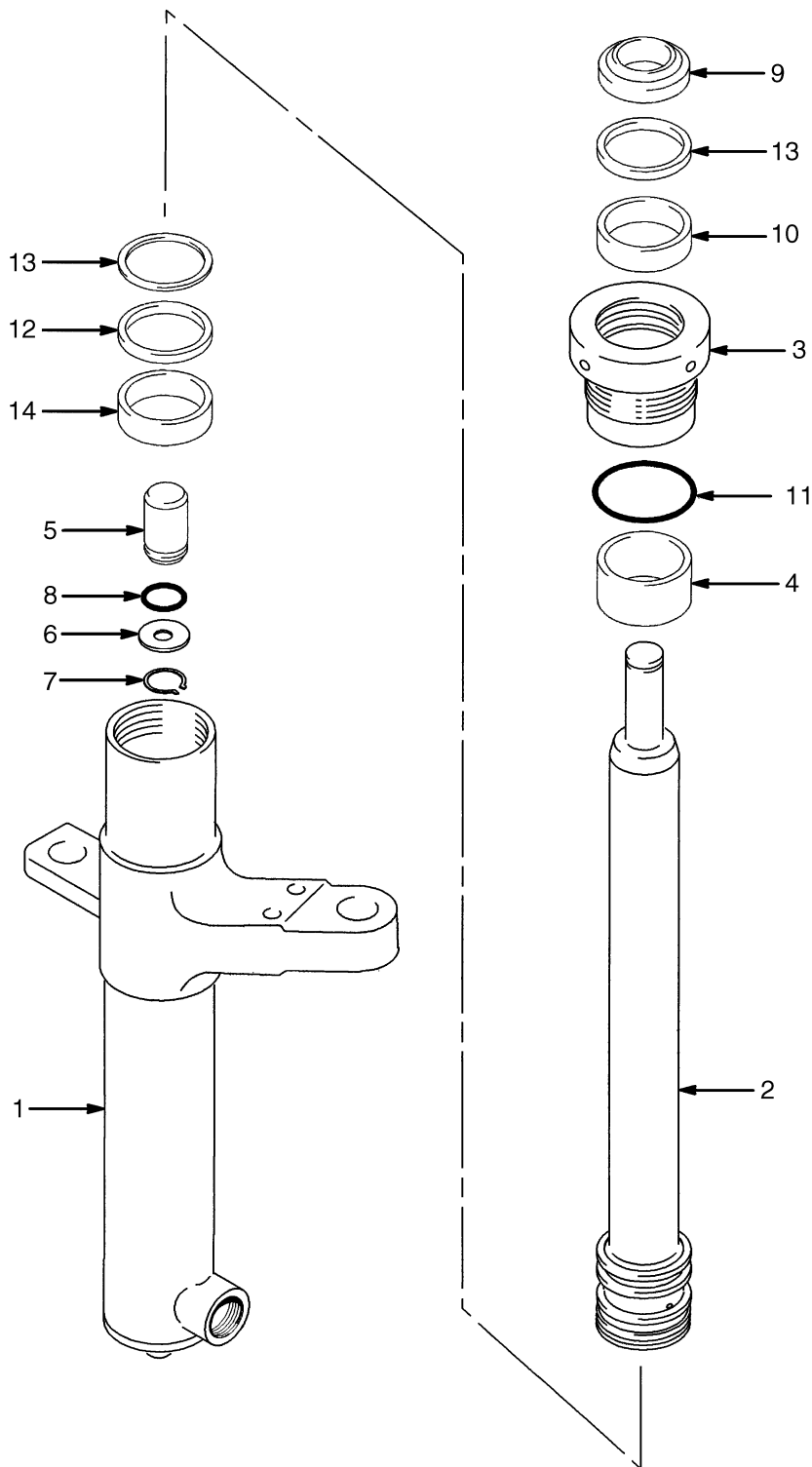
ITEM	DESCRIPTION 1 2 3 4	LIFT HEIGHT TO BOTTOM OF FORKS			
		2092 mm (82.4 in.)	2692 mm (106.0 in.)	2892 mm (113.9 in.)	3192 mm (125.7 in.)
		Mast Group Number	C551 2092	C551 2692	C551 2892
	Cylinder Group Number	8601638	8601603	8601605	8601608
	Cylinder Assy	2303325	1361336	1361348	1361366
1	Tube Wldmt- Cylinder	2304117	1361337	1361349	1361367
2	Cylinder Rod	2308924	1361338	1361350	1361368

ITEM	PART NO.	DESCRIPTION	QTY
	a	Cylinder Assy	1
1	a	Tube Wldmt-Cylinder	1
2	a	Cylinder Rod	1
3	1371653	Gland	1
4	322902	Wear Ring	1
5	257913	Check Valve	1
5	190580	O-Ring	1
6	297531	Washer	1
7	187388	Snap Ring	1
8	39348	O-Ring	1
9	1319668	Rod Wiper	1
10	1356749	Rod Seal	1
11	55407	O-Ring	1
12	330692	Rod Seal	1
13	322824	Back-Up Ring	2
14	1362871	Wear Ring	1
	1360140	Kit-Seal	1

FOOTNOTES:

a Refer to Table

MAIN LIFT CYLINDER - RH (FIGURE 7-5) TWO STAGE LIMITED FREE-LIFT



HP171198

**MAIN LIFT CYLINDER - RH
TWO STAGE LIMITED FREE-LIFT**

C551

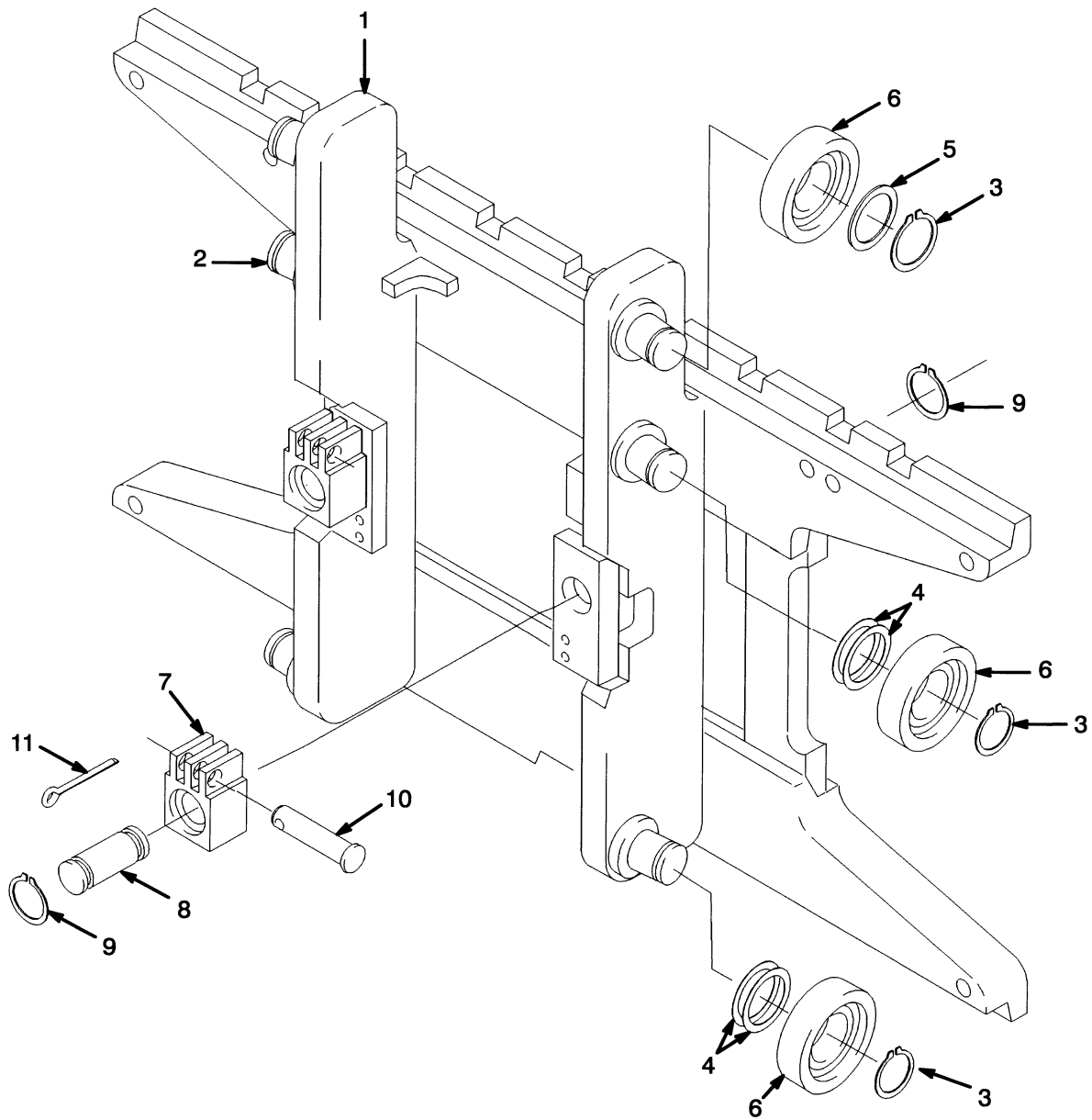
ITEM	DESCRIPTION 1 2 3 4	LIFT HEIGHT TO BOTTOM OF FORKS			
		2092 mm (82.4 in.)	2692 mm (106.0 in.)	2892 mm (113.9 in.)	3192 mm (125.7 in.)
		Mast Group Number	C551 2092	C551 2692	C551 2892
	Cylinder Group Number	8601688	8601653	8601655	8601658
	Cylinder Assy	2309117	1361340	1361352	1361370
1	Tube Wldmt- Cylinder	2308856	1361341	1361353	1361371
2	Cylinder Rod	2308924	1361338	1361350	1361368

ITEM	PART NO.	DESCRIPTION	QTY
	a	Cylinder Assy	1
1	a	Tube Wldmt-Cylinder	1
2	a	Cylinder Rod	1
3	1371653	Gland	1
4	322902	Wear Ring	1
5	257913	Check Valve	1
5	190580	O-Ring	1
6	297531	Washer	1
7	187388	Snap Ring	1
8	190580	O-Ring	1
9	1319668	Rod Wiper	1
10	1356749	Rod Seal	1
11	55407	O-Ring	1
12	330692	Rod Seal	1
13	322824	Back-Up Ring	2
14	1362871	Wear Ring	1
	1360140	Kit-Seal	1

FOOTNOTES:

a Refer to Table

CARRIAGE (FIGURE 7-6) TWO STAGE LIMITED FREE-LIFT

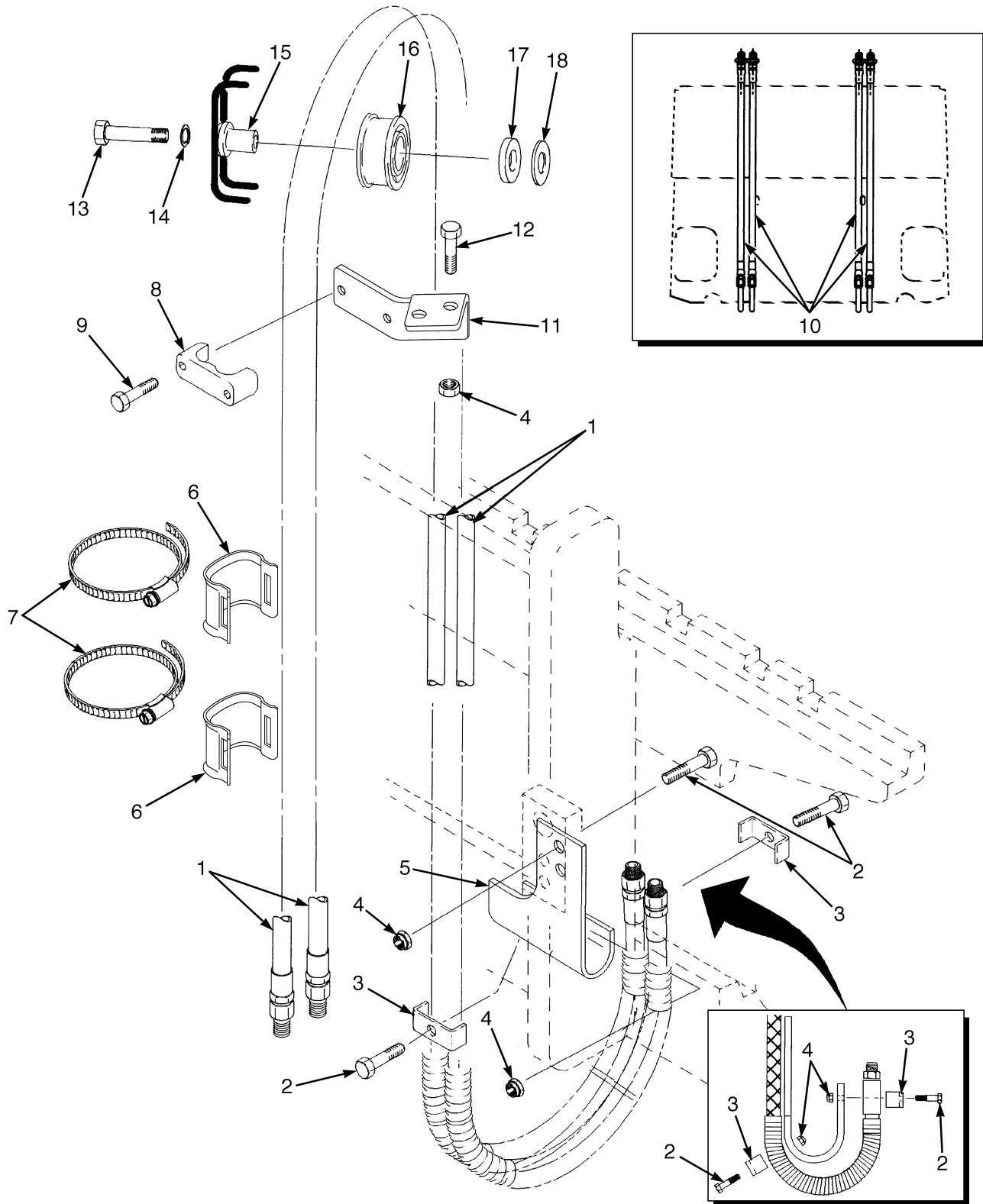


HP170612

**CARRIAGE
TWO STAGE LIMITED FREE-LIFT**

ITEM	PART NO.	DESCRIPTION	QTY
	1353326	Carriage	1
1	1353321	Carriage Wldmt	1
2	1345216	Stubshaft	6
3	58901	Snap Ring	6
4	129387	Shim (0.508 mm)	AR
5	366115	Spacer	2
6	1333399	Load Roller ("B") (92.18 mm/91.92 mm)	6
7	1369345	Chain Anchor (Dual Hole)	2
7	1504010	Chain Anchor (Single Hole)	1
8	1353408	Pin	2
9	131358	Snap Ring	4
10	1514866	Pin	2
11	15211	Cotter Pin	2

HEADER HOSES (FIGURE 7-7) TWO STAGE LIMITED FREE-LIFT



BP170191

**HEADER HOSES
TWO STAGE LIMITED FREE-LIFT**

C551

ITEM	DESCRIPTION 1 2 3 4	LIFT HEIGHT TO BOTTOM OF FORKS			
		2092 mm (82.4 in.)	2692 mm (106.0 in.)	2892 mm (113.9 in.)	3192 mm (125.7 in.)
		Mast Group Number	C551 2092	C551 2692	C551 2892
1	Hose Assy	1482240	1482243	1482245	1482248

KEY:

A: Three Functions

B: Four Functions

ITEM	PART NO.	DESCRIPTION	QTY	
			A	B
1	a	Hose Assy	2	4
2	1581582	Capscrew	4	8
3	1345348	Clamp	2	4
4	1581566	Nut	6	6
5	1345412	Bracket (RH)	1	1
5	1345413	Bracket (LH)	1
6	1477996	Hose Clamp	3	5
7	1481229	Clamp	3	9
8	1360386	Clamp (Double Hose)	1	2
9	1581842	Capscrew	2	4
10	2079962	Hose Assy	2	4
11	1610939	Bracket	1	2
12	1581836	Capscrew	2	4
13	1581830	Capscrew	1	2
14	1581564	Lockwasher	1	2
15	1360548	Stubshaft	1	2
16	1494017	Hose Sheave	1	2
17	1360549	Spacer	1	2
18	1345190	Washer	2	4

FOOTNOTES:

a Refer to Table

8

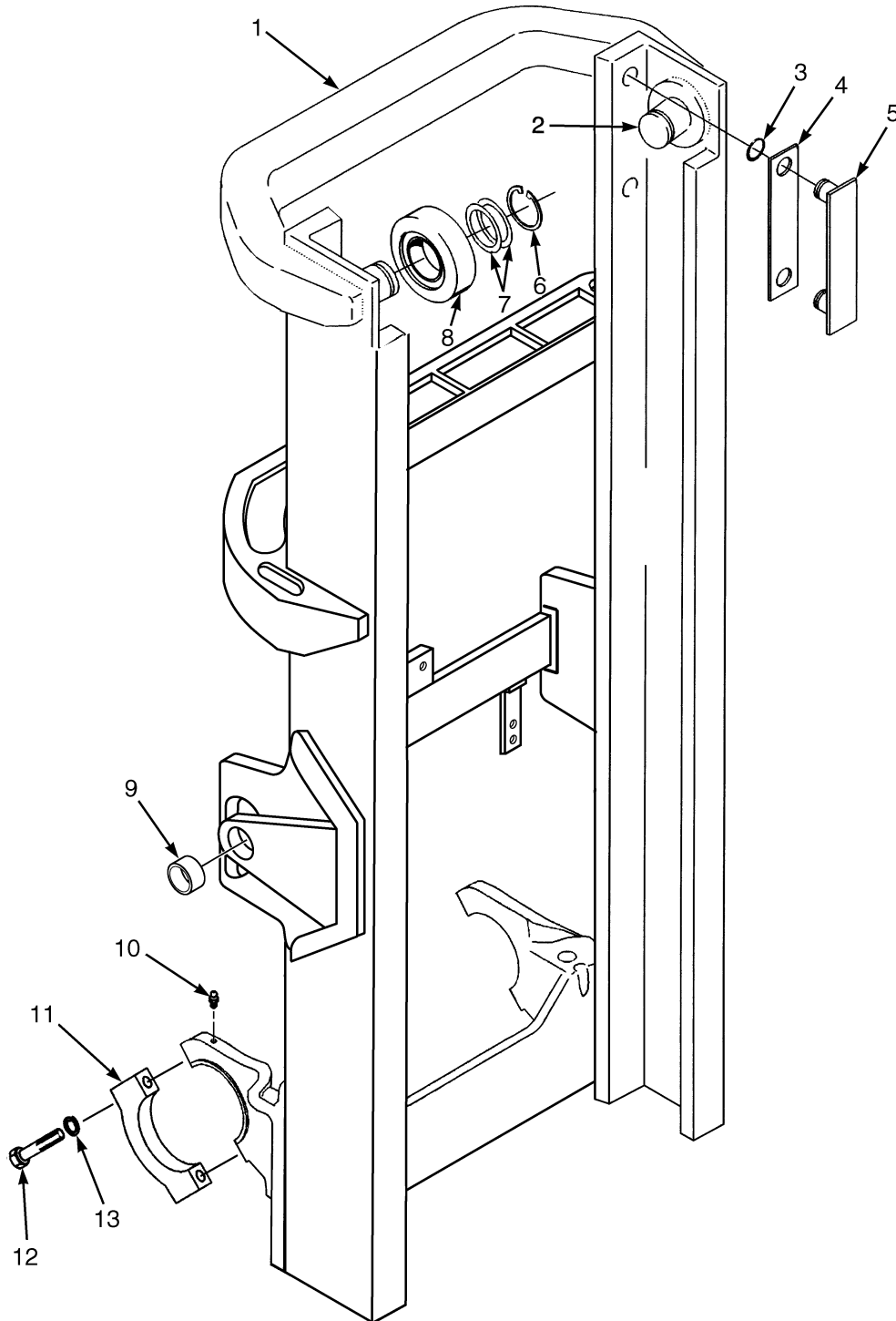
MAST-THREE STAGE FULL FREE-LIFT

SECTION 8

MAST-THREE STAGE FULL FREE-LIFT

DESCRIPTION	PAGE
CARRIAGE	
THREE STAGE FULL FREE-LIFT - C555 SERIES	8-30
FREE-LIFT	
THREE STAGE FULL FREE-LIFT - WITH TWO-PIECE CROSSMEMBER	8-16
THREE STAGE FULL FREE-LIFT - WITH ONE-PIECE CROSSMEMBER	8-18
FREE-LIFT CYLINDER	
THREE STAGE FULL FREE-LIFT	8-20
HEADER HOSE	
THREE STAGE FULL FREE-LIFT (12/2008 →)	8-26
THREE STAGE FULL FREE-LIFT (3/2011 →)	8-32
HEADER HOSES	
THREE STAGE FULL FREE-LIFT (→ 12/2008)	8-22
INNER MAST	
THREE STAGE FULL FREE-LIFT	8-6
INTERMEDIATE MAST	
THREE STAGE FULL FREE-LIFT	8-4
MAIN LIFT	
THREE STAGE FULL FREE-LIFT	8-8
MAIN LIFT CYLINDER - LH	
THREE STAGE FULL FREE-LIFT	8-12
MAIN LIFT CYLINDER - RH	
THREE STAGE FULL FREE-LIFT	8-14
OUTER MAST	
THREE STAGE FULL FREE-LIFT	8-2

OUTER MAST (FIGURE 8-1) THREE STAGE FULL FREE-LIFT



BP170189

**OUTER MAST
THREE STAGE FULL FREE-LIFT**

C555

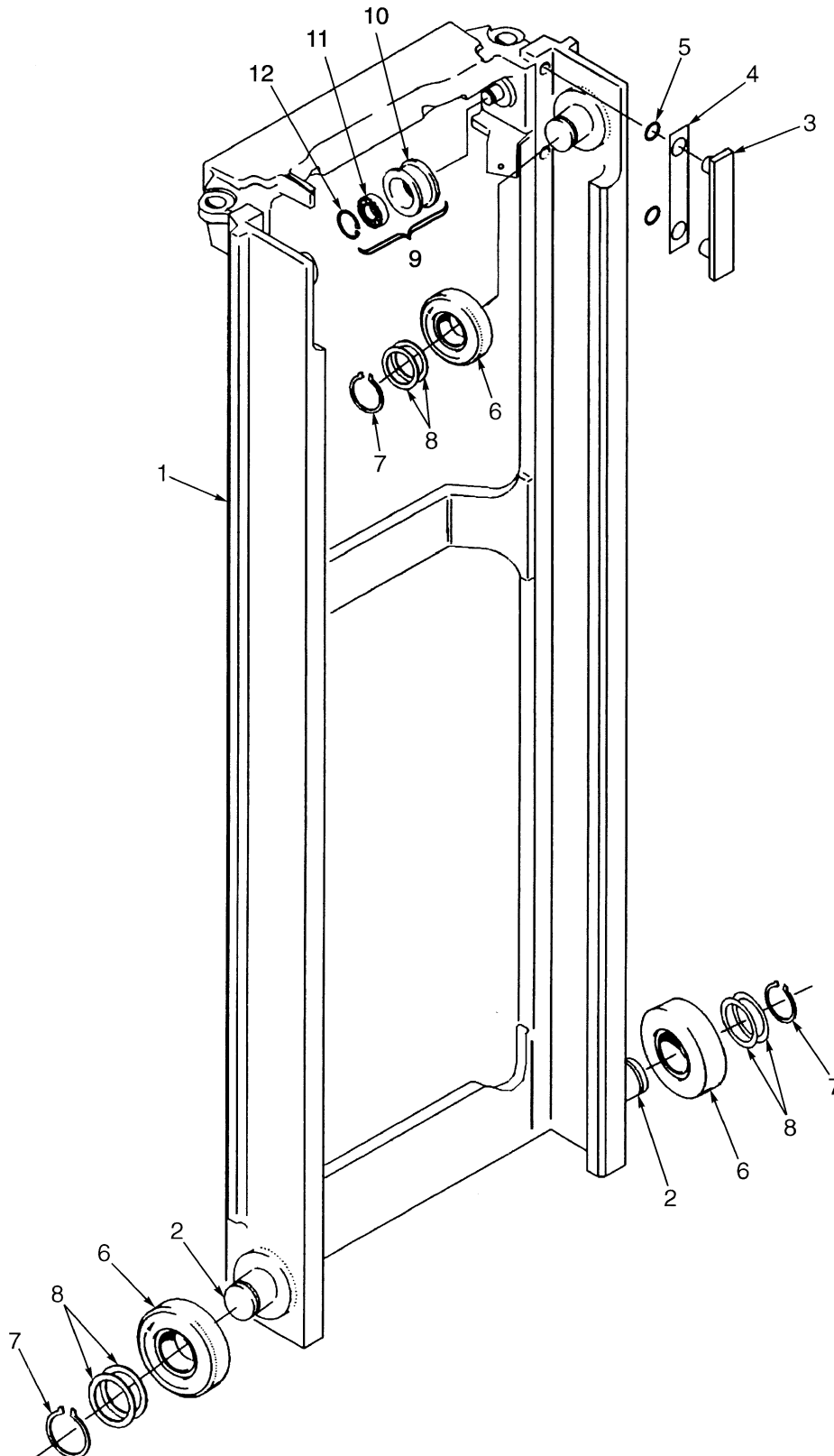
ITEM	DESCRIPTION 1 2 3 4	LIFT HEIGHT TO BOTTOM OF FORKS			
		4410 mm (173.6 in.)	4710 mm (185.4 in.)	4860 mm (191.3 in.)	5460 mm (215.0 in.)
		Mast Group Number	C555 4410	C555 4710	C555 4860
	Mast Assy	2077668 4608365	2077670 4608367	2077671 4608368	2077675 4608372
1	Outer Mast	1608057	1608059	1608060	1608065

ITEM	PART NO.	DESCRIPTION	QTY
	a	Mast Assy	1
1	a	Outer Mast	1
2	1345216	Stubshaft	2
3	104506	O-Ring	4
4	131716	Shim (0.508 mm)	4
5	215212	Wear Strip	2
6	58901	Snap Ring	2
7	129387	Shim (0.508 mm)	AR
8	1333399	Load Roller ("B") (92.18 mm/91.92 mm)	2
9	1348185	Bushing	2
10	16001	Grease Fitting	2
11	1370722	Cap	2
12	293651	Capscrew	4
13	292683	Lockwasher	4

FOOTNOTES:

a Refer to Table

INTERMEDIATE MAST (FIGURE 8-2) THREE STAGE FULL FREE-LIFT



HP171181

**INTERMEDIATE MAST
THREE STAGE FULL FREE-LIFT**

C555

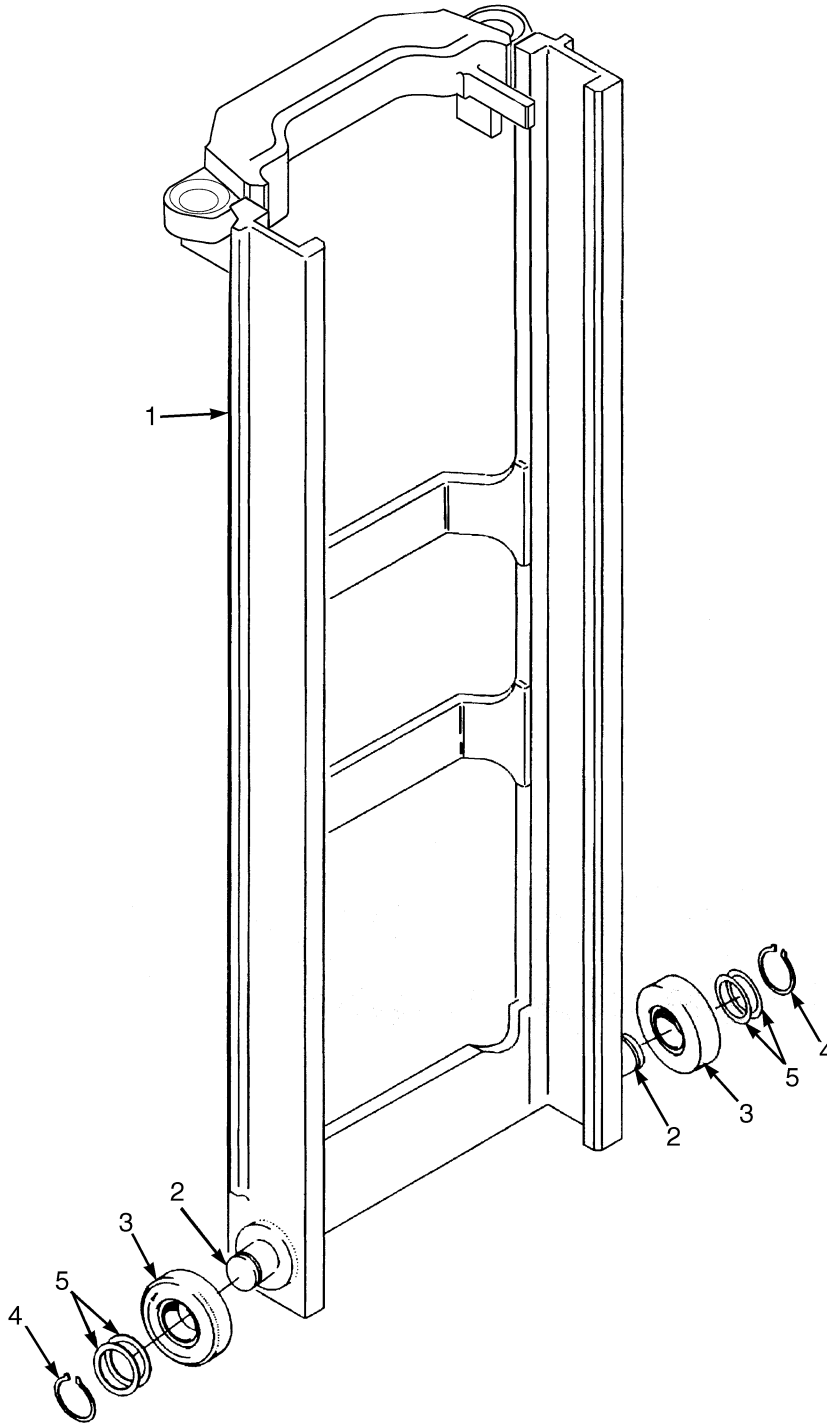
ITEM	DESCRIPTION 1 2 3 4	LIFT HEIGHT TO BOTTOM OF FORKS			
		4410 mm (173.6 in.)	4710 mm (185.4 in.)	4860 mm (191.3 in.)	5460 mm (215.0 in.)
		Mast Group Number	C555 4410	C555 4710	C555 4860
	Mast Assy	2077668 4608365	2077670 4608367	2077671 4608368	2077675 4608372
1	Intermediate Mast	1353006	1353008	1353009	1353013

ITEM	PART NO.	DESCRIPTION	QTY
	a	Mast Assy	1
1	a	Intermediate Mast	1
2	1345216	Stubshaft	4
3	215212	Wear Strip	2
4	131716	Shim (0.508 mm)	4
5	104506	O-Ring	4
6	1333399	Load Roller ("B") (92.18 mm/91.92 mm) (Standard)	2
7	58901	Snap Ring	4
8	129387	Shim (0.508 mm)	AR
9	1379685	Chain Sheave (Assembly)	2
10	1378698	Chain Sheave	1
11	1378699	Ball Bearing	1
12	37752	Snap Ring	1

FOOTNOTES:

a Refer to Table

INNER MAST (FIGURE 8-3) THREE STAGE FULL FREE-LIFT



BP170156

**INNER MAST
THREE STAGE FULL FREE-LIFT**

C555

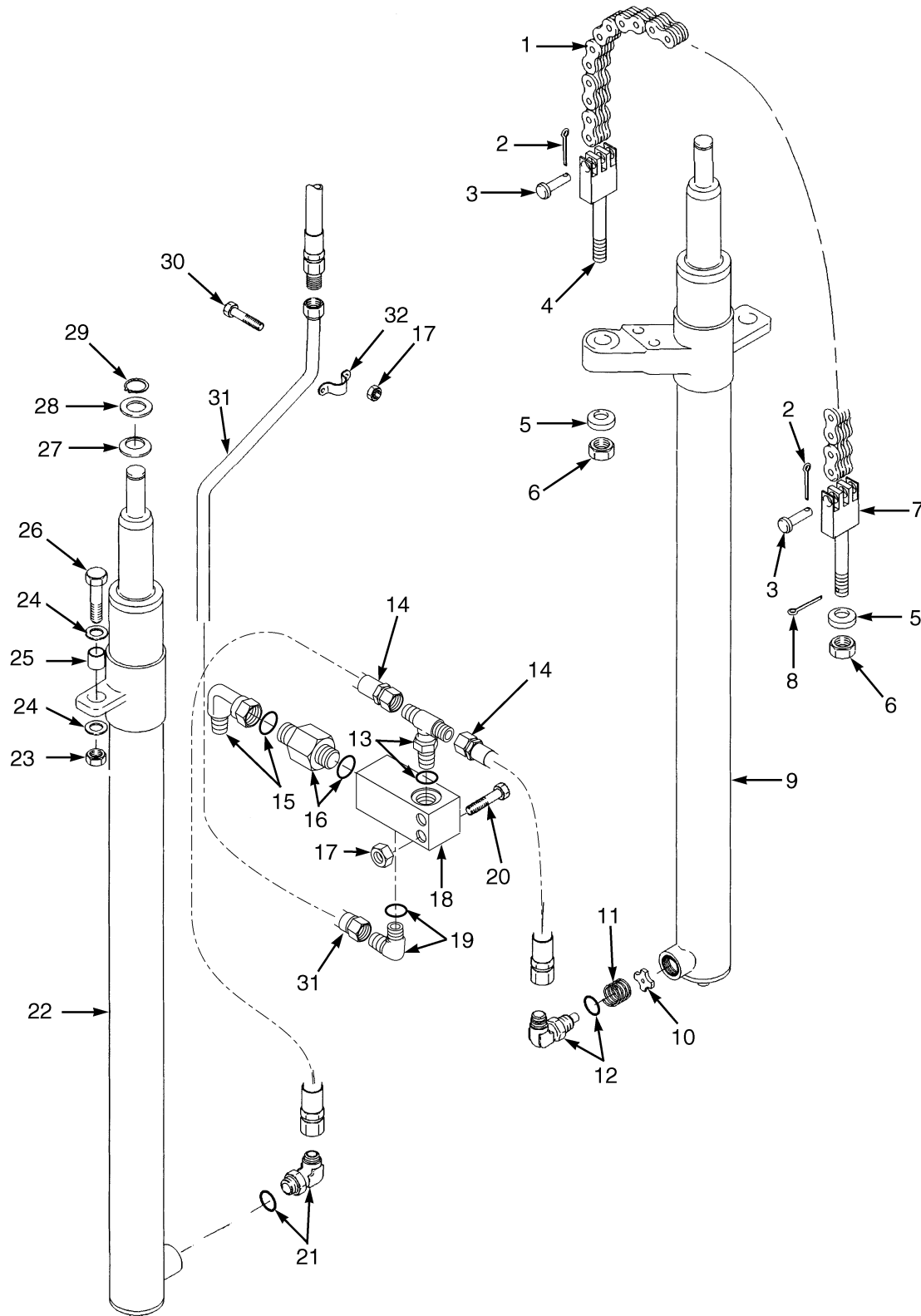
ITEM	DESCRIPTION 1 2 3 4	LIFT HEIGHT TO BOTTOM OF FORKS			
		4410 mm (173.6 in.)	4710 mm (185.4 in.)	4860 mm (191.3 in.)	5460 mm (215.0 in.)
		Mast Group Number	C555 4410	C555 4710	C555 4860
	Mast Assy	2077668 4608365	2077670 4608367	2077671 4608368	2077675 4608372
1	Inner Mast	1481806	1481808	1481809	1481813

ITEM	PART NO.	DESCRIPTION	QTY
	a	Mast Assy	1
1	a	Inner Mast	1
2	1345216	Stubshaft	2
3	1333399	Load Roller ("B") (92.18 mm/91.92 mm)	2
4	58901	Snap Ring	2
5	129387	Shim (0.508 mm)	AR

FOOTNOTES:

a Refer to Table

MAIN LIFT (FIGURE 8-4) THREE STAGE FULL FREE-LIFT



BP170162

**MAIN LIFT
THREE STAGE FULL FREE-LIFT****C555**

ITEM	DESCRIPTION 1 2 3 4	LIFT HEIGHT TO BOTTOM OF FORKS			
		4410 mm (173.6 in.)	4710 mm (185.4 in.)	4860 mm (191.3 in.)	5460 mm (215.0 in.)
		Mast Group Number	C555 4410	C555 4710	C555 4860
1	Chain	164474	88441	135634	177352

ITEM	PART NO.	DESCRIPTION	QTY
1	a	Chain	1
2	15211	Cotter Pin	4
3	1514866	Pin	4
4	1369357	Chain Anchor	2
5	297649	Ring	4
6	161003	Nut	4
7	1365140	Chain Anchor	2
8	15223	Cotter Pin	2
9	Main Lift Cylinder (LH) (☞ Figure 8-5).....	1
10	323160	Washer	1
11	120938	Spring	1
12	1481344	Fitting	1
12	16485	O-Ring	1
12	252729	O-Ring	1
13	1532650	Fitting	1
13	16485	O-Ring	1
13	252729	O-Ring	1
14	2084241	Hose Assy	2
15	1486773	Fitting	1
15	252729	O-Ring	1
16	1481348	Lowering Control Valve	1
17	1581566	Nut	4
18	1333392	Housing (Lowering Control)	1
19	1473898	Fitting	1
19	16486	O-Ring	1
20	1581583	Capscrew	2
21	1487067	Fitting	1
21	16485	O-Ring	1
21	252729	O-Ring	1
22	Main Lift Cylinder (RH) (☞ Figure 8-6).....	1
23	1581849	Nut	2
24	1581852	Washer	4
25	323090	Spacer	2
26	1581829	Capscrew	2
27	1354915	Washer (0.254 mm)	AR
27	1354916	Washer (0.762 mm)	AR
27	1354917	Washer (1.524 mm)	AR
28	1333382	Washer (1.500 mm)	2
29	131358	Snap Ring	3
30	1581580	Capscrew	4

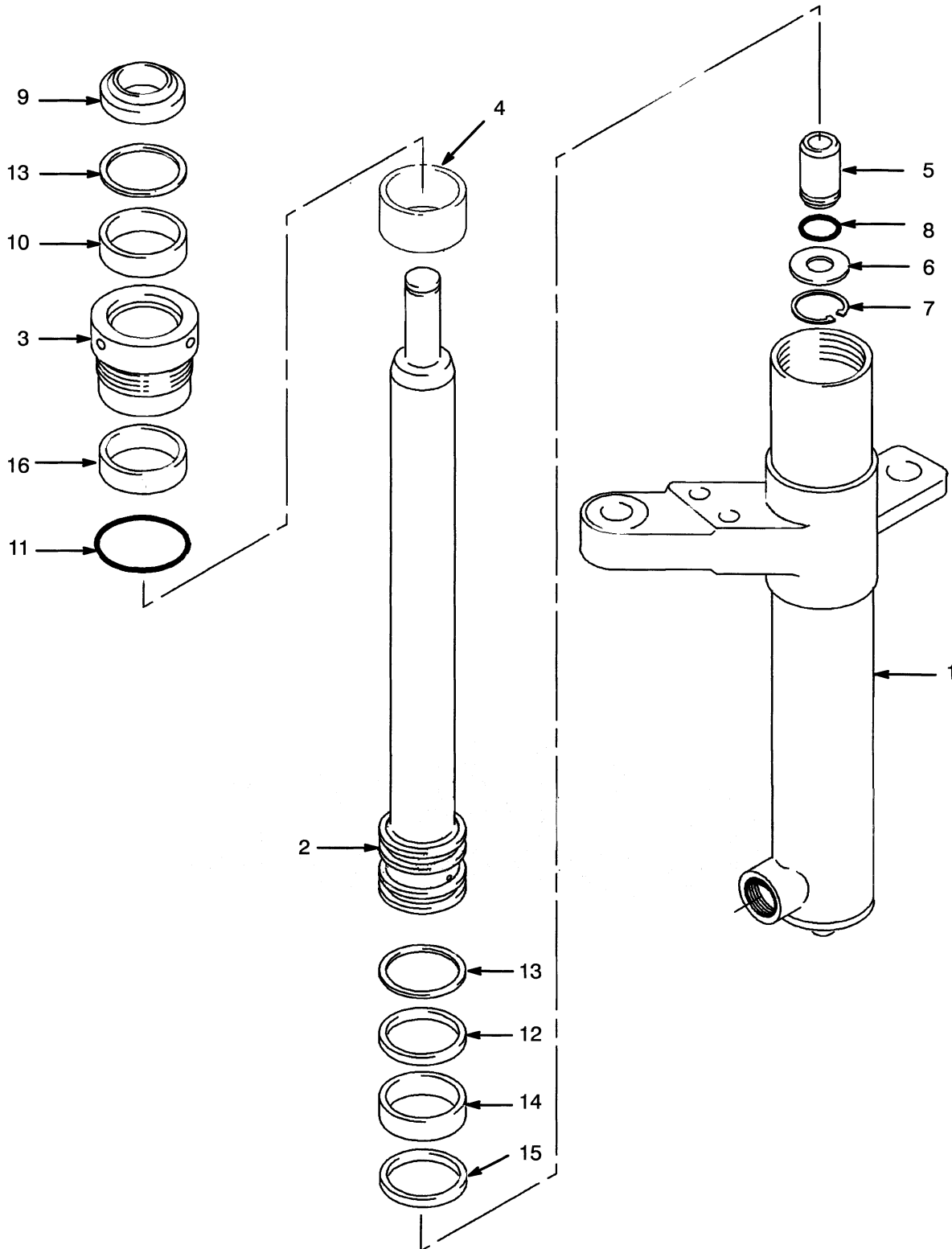
MAIN LIFT
THREE STAGE FULL FREE-LIFT

ITEM	PART NO.	DESCRIPTION	QTY
31	2078579	Tube Assy	1
32	1363251	Clamp	1

FOOTNOTES:

- a Refer to Table

MAIN LIFT CYLINDER - LH (FIGURE 8-5) THREE STAGE FULL FREE-LIFT



HP171225

**MAIN LIFT CYLINDER - LH
THREE STAGE FULL FREE-LIFT**

C555

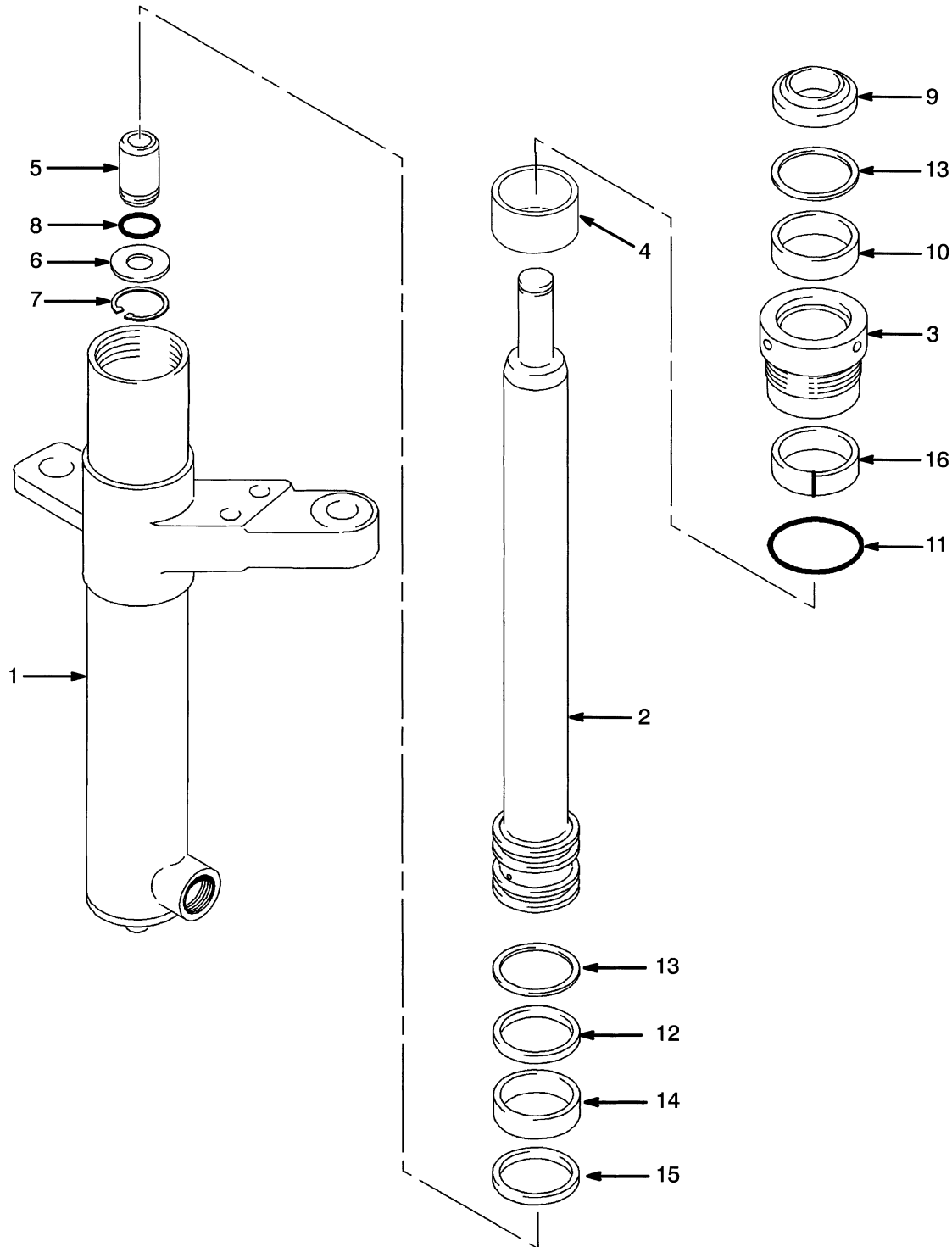
ITEM	DESCRIPTION 1 2 3 4	LIFT HEIGHT TO BOTTOM OF FORKS			
		4410 mm (173.6 in.)	4710 mm (185.4 in.)	4860 mm (191.3 in.)	5460 mm (215.0 in.)
		Mast Group Number	C555 4710	C555 4860	C555 5460
	Cylinder Group Number	8601706	8601708	8601709	8601713
	Cylinder Assy	1362702	1362715	1362721	1362745
1	Tube Wldmt- Cylinder	1362703	1362716	1362722	1366057
2	Cylinder Rod	1362704	1362717	1362723	1362746
4	Spacer	----	----	----	1355610

ITEM	PART NO.	DESCRIPTION	QTY
	a	Cylinder Assy	1
1	a	Tube Wldmt-Cylinder	1
2	a	Cylinder Rod	1
3	1371653	Gland	1
4	a	Spacer	1
5	257913	Check Valve	1
5	190580	O-Ring	1
6	297531	Washer	1
7	187388	Snap Ring	1
8	190580	O-Ring	1
9	1319668	Rod Wiper	1
10	1356749	Rod Seal	1
11	55407	O-Ring	1
12	330692	Rod Seal	1
13	322824	Back-Up Ring	2
14	1362871	Wear Ring	1
15	1362875	Piston Ring	1
16	322902	Wear Ring	1
	1360139	Kit-Seal	1

FOOTNOTES:

a Refer to Table

MAIN LIFT CYLINDER - RH (FIGURE 8-6) THREE STAGE FULL FREE-LIFT



HP171226

**MAIN LIFT CYLINDER - RH
THREE STAGE FULL FREE-LIFT**

C555

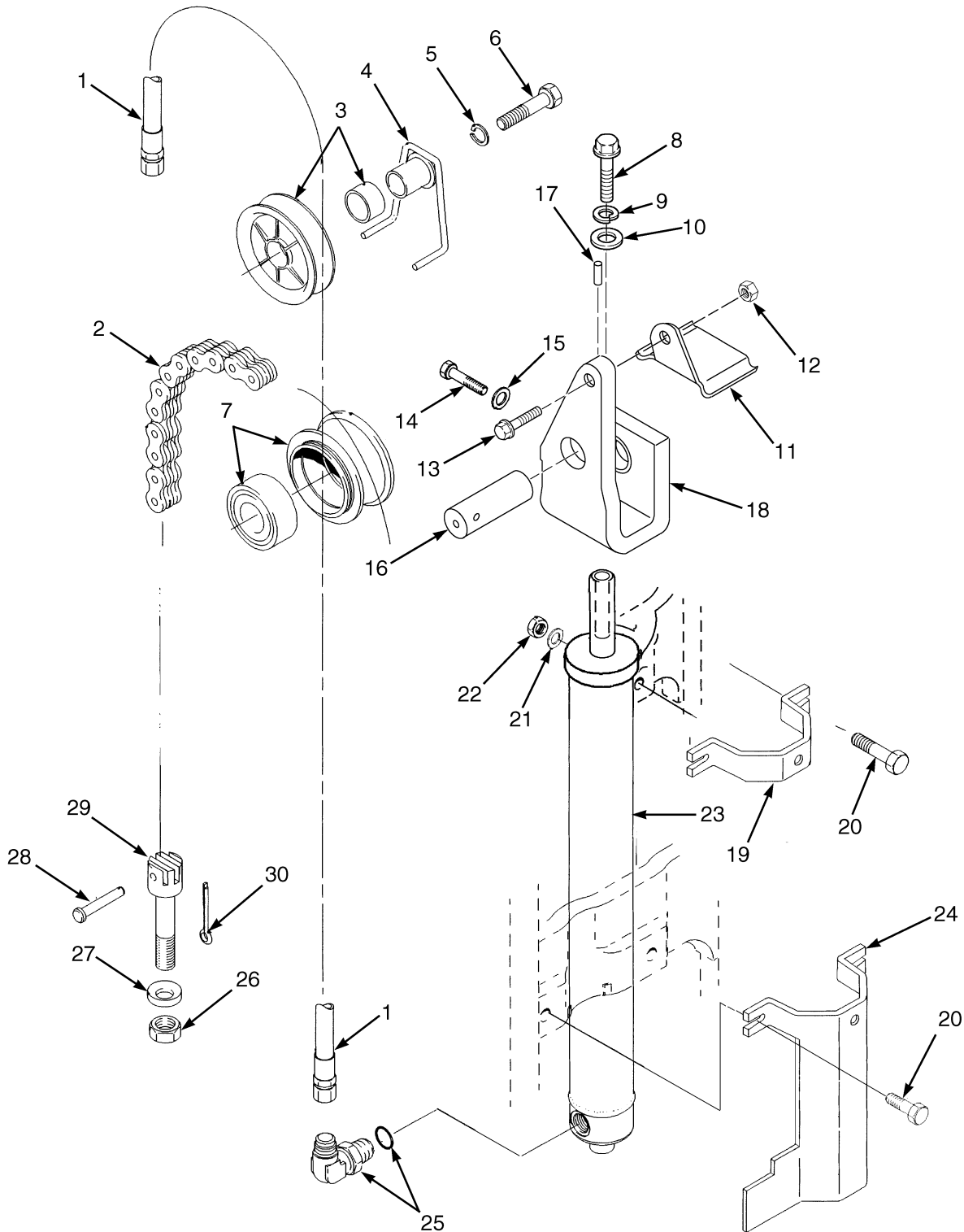
ITEM	DESCRIPTION 1 2 3 4	LIFT HEIGHT TO BOTTOM OF FORKS			
		4410 mm (173.6 in.)	4710 mm (185.4 in.)	4860 mm (191.3 in.)	5460 mm (215.0 in.)
		Mast Group Number	C555 4710	C555 4860	C555 5460
	Cylinder Group Number	8601756	8601758	8601759	8601763
	Cylinder Assy	1362706	1362719	1362725	1362749
1	Tube Wldmt- Cylinder	1362713	1362726	1362732	1362756
2	Cylinder Rod	1362704	1362717	1362723	1362746
4	Spacer	----	----	----	1355610

ITEM	PART NO.	DESCRIPTION	QTY
	a	Cylinder Assy	1
1	a	Tube Wldmt-Cylinder	1
2	a	Cylinder Rod	1
3	1371653	Gland	1
4	a	Spacer	1
5	257913	Check Valve	1
5	190580	O-Ring	1
6	297531	Washer	1
7	187388	Snap Ring	1
8	190580	O-Ring	1
9	1319668	Rod Wiper	1
10	1356749	Rod Seal	1
11	55407	O-Ring	1
12	330692	Rod Seal	1
13	322824	Back-Up Ring	2
14	1362871	Wear Ring	1
15	1362875	Piston Ring	1
16	322902	Wear Ring	1
	1360139	Kit-Seal	1

FOOTNOTES:

a Refer to Table

FREE-LIFT (FIGURE 8-7) THREE STAGE FULL FREE-LIFT — WITH TWO-PIECE CROSSMEMBER



BP170163

FREE-LIFT
THREE STAGE FULL FREE-LIFT – WITH TWO-PIECE CROSSMEMBER

C555

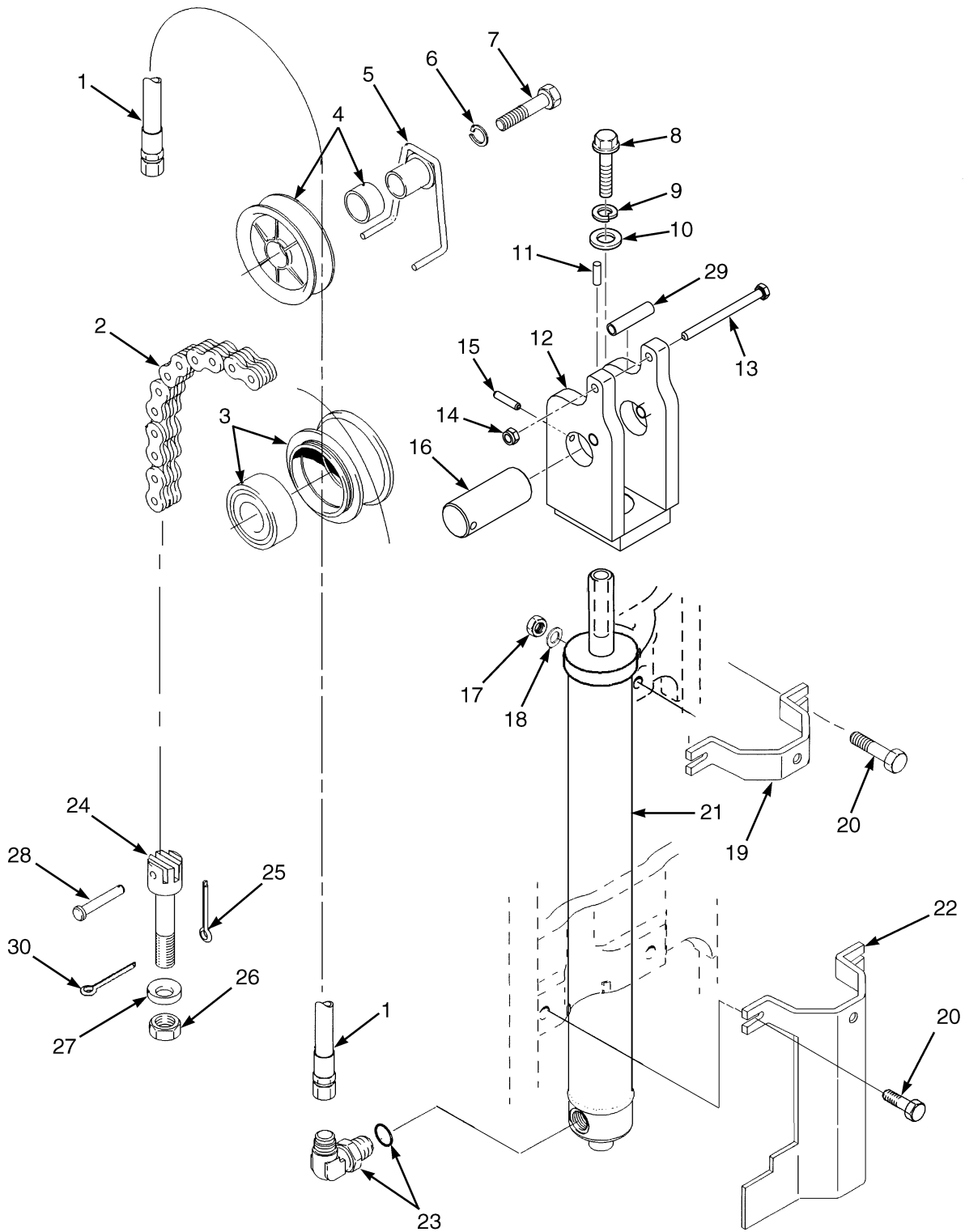
ITEM	DESCRIPTION 1 2 3 4	LIFT HEIGHT TO BOTTOM OF FORKS		
		4410 mm (173.6 in.)	4710 mm (185.4 in.)	5460 mm (215.0 in.)
		Mast Group Number C555 4410	C555 4710	C555 5460
1	Hose Assy	2085048	2085050	2085055
2	Chain	1550126	1550128	1550136

ITEM	PART NO.	DESCRIPTION	QTY
1	a	Hose Assy	1
2	a	Chain	1
3	1343989	Hose Sheave	1
3	1354901	Bushing	1
4	1360534	Stubshaft	1
5	1581564	Lockwasher	1
6	1581829	Capscrew	1
7	1481054	Chain Sheave	1
7	1378699	Ball Bearing	2
8	1596406	Capscrew	1
9	1596407	Lockwasher	1
10	1596408	Washer	1
11	1481055	Bracket	1
12	1581849	Nut	1
13	1581591	Capscrew	1
14	1481230	Capscrew	1
15	1581562	Lockwasher	1
16	1481052	Pin	1
17	310549	Pin	1
18	1481009	Crosshead	1
19	1489972	Bracket	1
20	1596404	Capscrew	4
21	1581852	Washer	4
22	1581849	Nut	4
23	Free-Lift Cylinder (☞ Figure 8-9).....	1
24	1573677	Guard	1
25	1481346	Valve (Flow)	1
25	252729	O-Ring	1
26	182377	Nut	1
27	182376	Ring	1
28	1340687	Pin	1
29	1605676	Chain Anchor	1
30	15211	Cotter Pin	1

FOOTNOTES:

a Refer to Table

FREE-LIFT (FIGURE 8-8) THREE STAGE FULL FREE-LIFT — WITH ONE-PIECE CROSSMEMBER



BP170474

FREE-LIFT
THREE STAGE FULL FREE-LIFT – WITH ONE-PIECE CROSSMEMBER

C555

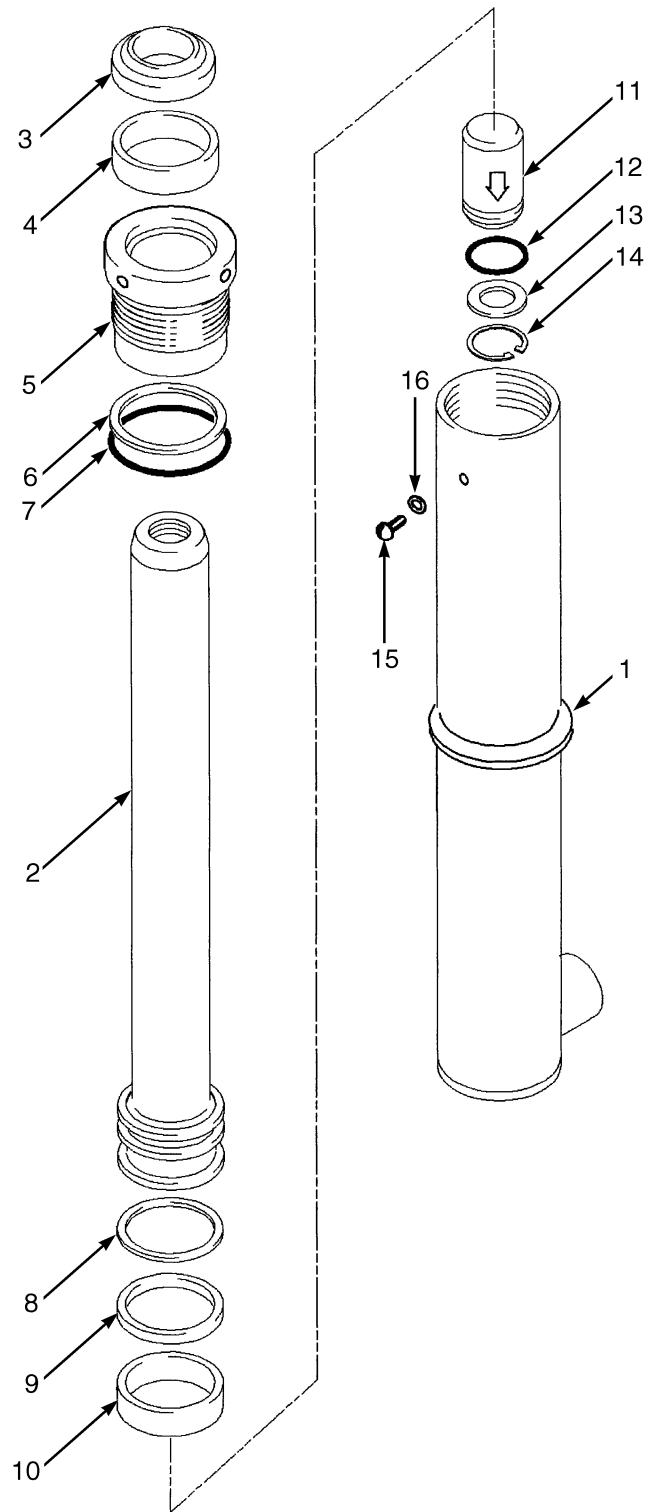
ITEM	DESCRIPTION 1 2 3 4	LIFT HEIGHT TO BOTTOM OF FORKS			
		4410 mm (173.6 in.)	4710 mm (185.4 in.)	5010 mm (197.2 in.)	5460 mm (215.0 in.)
		Mast Group Number C555 4410	C555 4710	C555 5010	C555 5460
1	Hose Assy	2085048	2085050	2085052	2085055
2	Chain	1550126	1550128	1550132	1550136

ITEM	PART NO.	DESCRIPTION	QTY
1	a	Hose Assy	1
2	a	Chain	1
3	1481054	Chain Sheave	1
3	1378699	Ball Bearing	2
4	1343989	Hose Sheave	1
4	1354901	Bushing	1
5	1360534	Stubshaft	1
6	1581564	Lockwasher	1
7	1581829	Capscrew	1
8	1596406	Capscrew	1
9	1596407	Lockwasher	1
10	1596408	Washer	1
11	310549	Pin	1
12	4020911	Crosshead	1
13	4020912	Capscrew	1
14	1581566	Nut	4
15	302465	Roll Pin	1
16	4020968	Pin	1
17	1581849	Nut	6
18	1581852	Washer	4
19	1489972	Bracket	1
20	1596404	Capscrew	4
21	Free-Lift Cylinder (☞ Figure 8-9).....	1
22	1573677	Guard	1
23	1481346	Valve (Flow)	1
24	1605676	Chain Anchor	1
25	15211	Cotter Pin	1
26	182377	Nut	1
27	182376	Ring	1
28	1340687	Pin	1
29	4050832	Spacer	1
30	15223	Cotter Pin	5

FOOTNOTES:

a Refer to Table

FREE-LIFT CYLINDER (FIGURE 8-9) THREE STAGE FULL FREE-LIFT



BP170160

**FREE-LIFT CYLINDER
THREE STAGE FULL FREE-LIFT**

C555

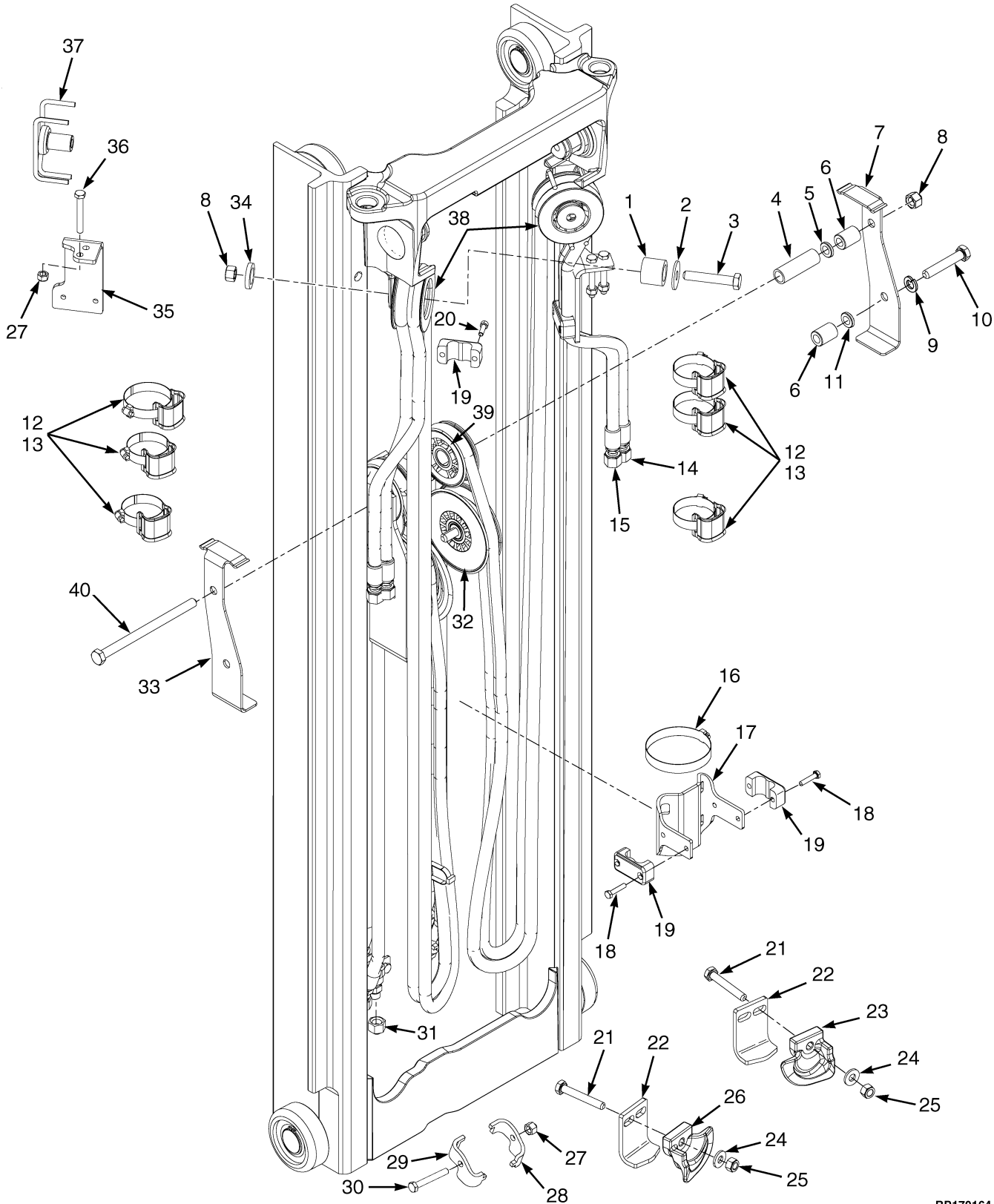
ITEM	DESCRIPTION 1 2 3 4	LIFT HEIGHT TO BOTTOM OF FORKS			
		4410 mm (173.6 in.)	4710 mm (185.4 in.)	4860 mm (191.3 in.)	5460 mm (215.0 in.)
		Mast Group Number	C555 4410	C555 4710	C555 4860
	Cylinder Group Number	8500306	8500308	8500309	8500314
	Cylinder Assy	2068198	2068200	2068201	2068206
1	Tube Wldmt- Cylinder	1362922	1362924	1362925	1362930
2	Cylinder Rod	2068158	2068160	2068161	2068166

ITEM	PART NO.	DESCRIPTION	QTY
	a	Cylinder Assy	1
1	a	Tube Wldmt-Cylinder	1
2	a	Cylinder Rod	1
3	2013099	Rod Wiper	1
3	1463105	Rod Wiper (Alternate Part)	1
4	1358970	Rod Seal	1
4	1622946	Rod Seal (Alternate Part)	1
5	1362880	Gland	1
6	615135	Back-Up Ring	1
7	55146	O-Ring	1
8	638250	Back-Up Ring	1
9	201829	Rod Seal	1
10	1362881	Wear Ring	1
11	257913	Check Valve	1
11	190580	O-Ring	1
11	297538	Check Valve (Alternate Part)	1
12	190580	O-Ring	1
13	297531	Washer	1
14	187388	Snap Ring	1
15	1361302	Screw	1
16	190887	Sealing Ring	1
	1360141	Kit-Seal	1

FOOTNOTES:

a Refer to Table

HEADER HOSES (FIGURE 8-10) THREE STAGE FULL FREE-LIFT (→ 12/2008)



BP170164

HEADER HOSES
THREE STAGE FULL FREE-LIFT (→ 12/2008)

C555

ITEM	DESCRIPTION 1 2 3 4	LIFT HEIGHT TO BOTTOM OF FORKS		
		4410 mm (173.6 in.)	4710 mm (185.4 in.)	5460 mm (215.0 in.)
		C555 4410	C555 4710	C555 5460
14	Hose Assy	2096331	2096333	2096338
15	Hose Assy	2096363	2096365	2096370

KEY:

A: Three Function

B: Four Function

ITEM	PART NO.	DESCRIPTION	QTY	
			A	B
1	1360549	Spacer	1	2
2	1345190	Washer	1	2
3	1581830	Capscrew	2	2
4	1550020	Spacer	1
5	1598303	Washer	1
6	1481255	Stubshaft	1	2
7	1676088			
	1481252	Bracket (LH)	1	1
7	1676087			
	1481253	Bracket (RH) (Alternate Part)	1	1
8	1581849	Nut	2	4
9	1581564	Lockwasher	1	2
10	1581592	Capscrew	1	2
11	1581560	Washer	2	4
12	1477996	Hose Clamp	3	6
13	1481229	Clamp	3	6
14	a	Hose Assy	1	2
15	a	Hose Assy	1	2
16	1360507	Clamp	2	2
17	1610914	Bracket	1	1
18	1581841	Capscrew	2	4
19	1360386	Clamp (Double Hose)	2	4
20	1581842	Capscrew	2	4
21	1597565	Capscrew	1	2
22	1363253	Bracket	1	2
23	1348247	Hose Guide	1	1
24	1581558	Washer	2	4
25	1581567	Nut	1	2
26	1348246	Hose Guide	1
27	1581566	Nut	3	6
28	1481765	Clamp	1	1
29	1481766	Clamp	1
30	1581582	Capscrew	1	2
31	1529015	Cap	2	4

HEADER HOSES THREE STAGE FULL FREE-LIFT (→ 12/2008)

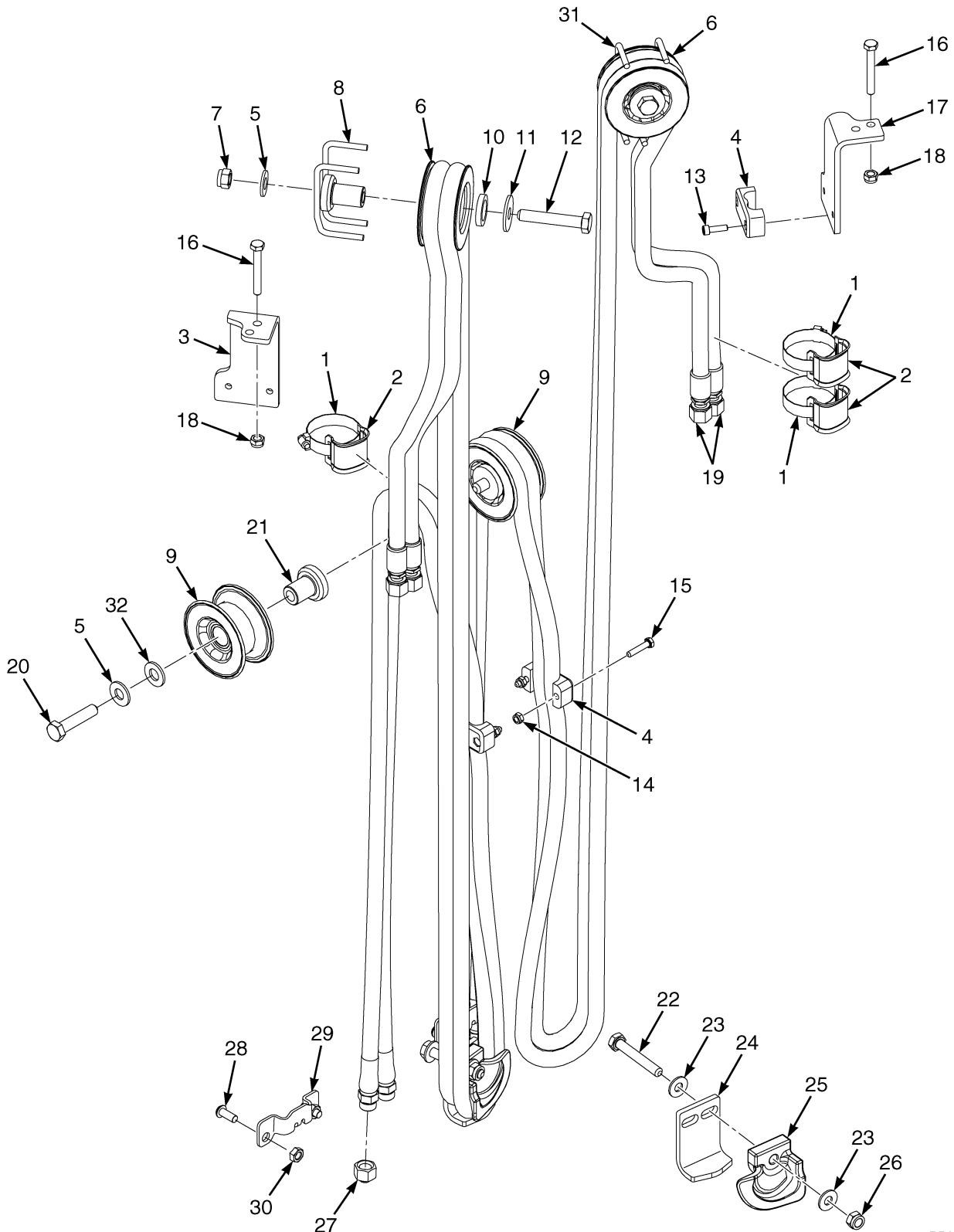
KEY:
A: Three Function
B: Four Function

ITEM	PART NO.	DESCRIPTION	QTY	
			A	B
32	1481249	Hose Sheave	1	2
32	1353521	Bushing	1	1
33	14676088			
	1481252	Bracket (LH)	1
33	14676088			
	1481252	Bracket (LH) (Alternate Part)	1
34	1581559	Washer	1	2
35	1381598	Bracket	1	1
35	1381599	Bracket	1
36	1581836	Capscrew	2	4
37	1381642	Stubshaft	1	1
37	1381641	Stubshaft	1
38	1494017	Hose Sheave	1	2
39	1481248	Hose Sheave	1	2
39	1353521	Bushing	1	1
40	1597560	Capscrew	1	1

FOOTNOTES:

a Refer to Table

HEADER HOSE (FIGURE 8-11) THREE STAGE FULL FREE-LIFT (12/2008 →)



BP170626

HEADER HOSE

THREE STAGE FULL FREE-LIFT (12/2008 →)

C555

ITEM	DESCRIPTION 1 2 3 4	LIFT HEIGHT TO BOTTOM OF FORKS			
		4410 mm (173.6 in.)	4710 mm (185.4 in.)	4860 mm (191.3 in.)	5460 mm (215.0 in.)
		Mast Group Number	C555 4410	C555 4710	C555 4860
19	Header Hose	2109877 4608643	2110233 4608645	2109879 4608646	2109883 4608650

KEY:**A: 3 Function****B: 4 Function**

ITEM	PART NO.	DESCRIPTION	QTY	
			A	B
1	b 1481229	Clamp	2	4
2	1477996	Hose Clamp	2	4
3	1381599	Bracket (LH)	1
4	1360386	Clamp (Double Hose)	2	4
5	1581853	Washer	1	2
6	b 1494017	Hose Sheave	1	2
7	1581849	Nut	2	4
8	1381641	Stubshaft	1
9	4041194	Hose Sheave	1	2
10	1360549	Spacer	1	2
11	1345190	Washer	1	2
12	1581830	Capscrew	2	4
13	1581842	Capscrew	2	4
14	1581565	Nut	1	2
15	1581834	Capscrew	2	4
16	1581836	Capscrew	2	4
17	1381598	Bracket (RH)	1	1
18	1581566	Nut	3	6
19	a	Header Hose	2	4
20	1581828	Capscrew	1	2
21	c 4057500	Stubshaft	1	2
21	b 4020969	Stubshaft	1	2
22	1597565	Capscrew	1	2
23	1581558	Washer	2	4
24	1363253	Bracket	1	2
25	1348247	Hose Guide (RH)	1	1
25	1348246	Hose Guide (LH)	1
26	1581567	Nut	1	2
27	1529015	Cap	2	4
28	1597448	Capscrew	2	4
29	b 1643405	Hose Clamp	1	2
29	c 4008020	Clamp	1	2
30	b 1581564	Lockwasher	1	2
31	1381642	Stubshaft	1	1

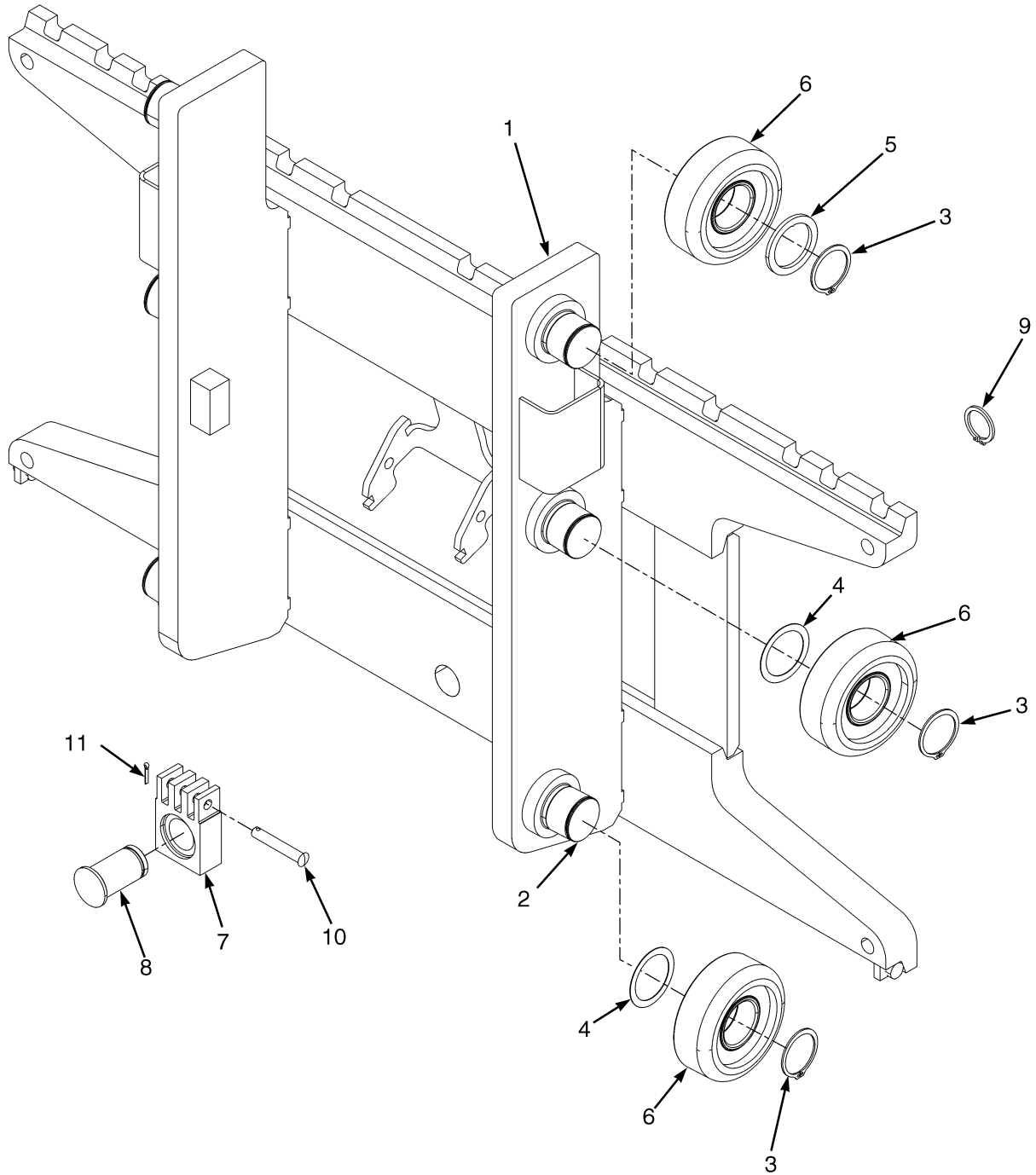
HEADER HOSE THREE STAGE FULL FREE-LIFT (12/2008 →)

KEY:**A: 3 Function****B: 4 Function**

ITEM	PART NO.	DESCRIPTION	QTY	
			A	B
32	1581853	Washer	1	2

FOOTNOTES:**a** Refer to Table**c** 10/2012 →**b** → 10/2012

CARRIAGE (FIGURE 8-12) THREE STAGE FULL FREE-LIFT — C555 SERIES

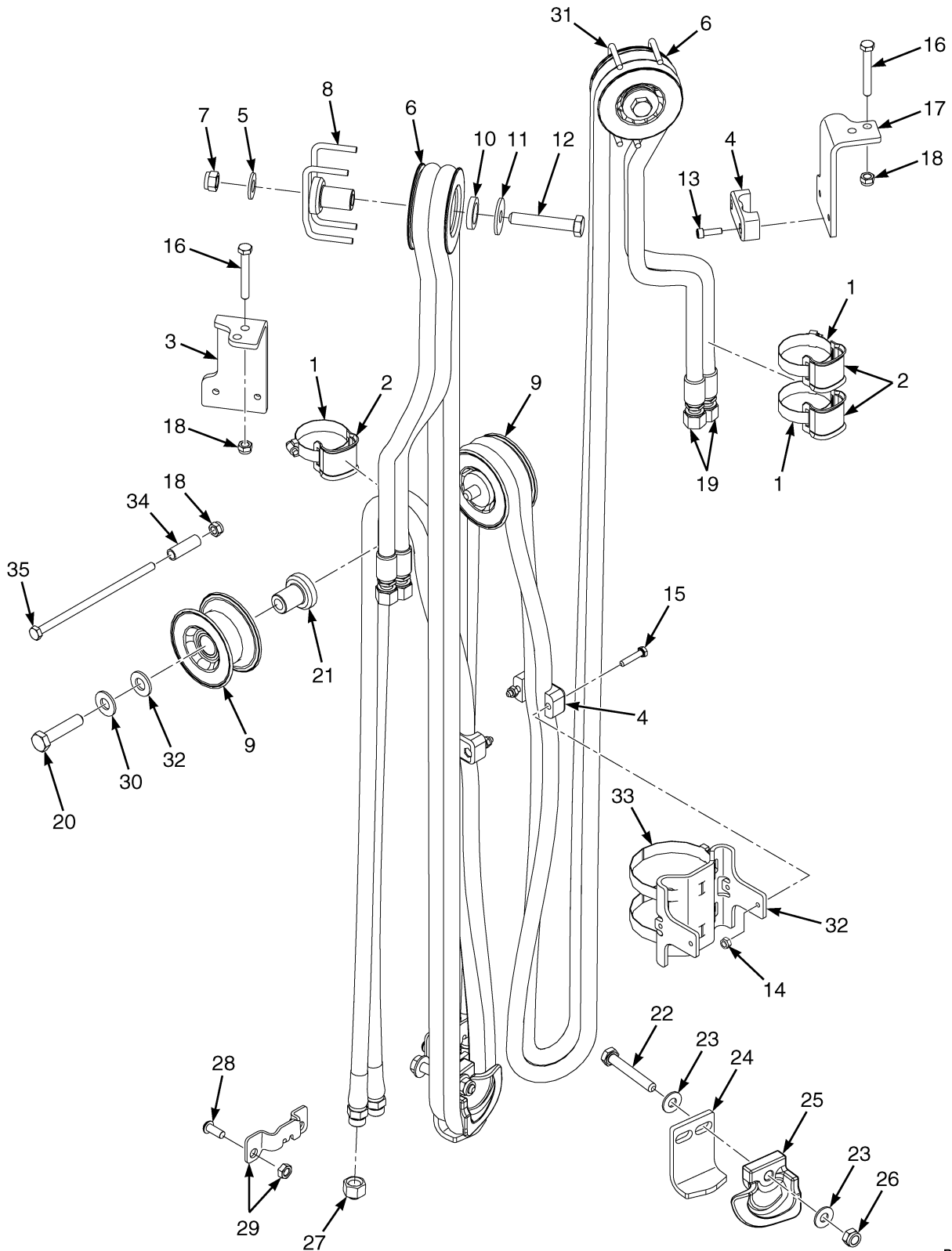


BP170161

CARRIAGE
THREE STAGE FULL FREE-LIFT – C555 SERIES

ITEM	PART NO.	DESCRIPTION	QTY
	1549692	Frame	1
	2108531	Carriage (Alternate Part)	1
1	1549682	Carriage Wldmt	1
1	1693459	Carriage Wldmt (Alternate Part)	1
2	1345216	Stubshaft	6
3	58901	Snap Ring	6
3	1374797	Snap Ring (Optional)	6
4	129387	Shim (0.508 mm)	AR
5	366115	Spacer	2
6	1393142	Load Roller ("B") (82.18 mm) (Optional)	6
6	1363272	Load Roller ("B") (82.18 mm) (Alternate Part)	6
6	1395176	Load Roller ("A") (82.00 mm) (Optional)	6
6	1395174	Load Roller ("A") (81.80 mm) (Optional)	6
7	1481258	Chain Anchor	1
8	185597	Pin	1
9	131358	Snap Ring	2
10	1340687	Pin (Chain Anchor)	1
11	15211	Cotter Pin	1

HEADER HOSE (FIGURE 8-13) THREE STAGE FULL FREE-LIFT (3/2011 →)



BP170703

HEADER HOSE
THREE STAGE FULL FREE-LIFT (3/2011 →)

C555

ITEM	DESCRIPTION 1 2 3 4	LIFT HEIGHT TO BOTTOM OF FORKS			
		4410 mm (173.6 in.)	4710 mm (185.4 in.)	5010 mm (197.2 in.)	5460 mm (215.0 in.)
		Mast Group Number	C555 4410	C555 4710	C555 5010
19	Header Hose	4608643	4608645	4608647	4608650

KEY:

A: 3 Function

B: 4 Function

ITEM	PART NO.	DESCRIPTION	QTY	
			A	B
1	1481229	Clamp	2	4
2	1477996	Hose Clamp	2	4
3	1381599	Bracket (LH)	1
4	1360386	Clamp (Double Hose)	2	4
5	1598303	Washer	1	2
6	1494017	Hose Sheave	1	2
7	1581849	Nut	1	2
8	1381641	Stubshaft	1	2
9	1494017	Hose Sheave	1	2
10	1360549	Spacer	1	2
11	1345190	Washer	1	2
12	1581830	Capscrew	1	2
13	1581842	Capscrew	2	4
14	Nut	1	2
15	1581741	Capscrew	2	4
16	1581836	Capscrew	2	4
17	1381598	Bracket (RH)	1	1
18	1581566	Nut	3	5
19	a	Header Hose	2	4
20	1581828	Capscrew	1	2
21	4020969	Stubshaft	1	2
22	1597565	Capscrew	1	2
23	1581558	Washer	2	4
24	1363253	Bracket	1	2
25	1348247	Hose Guide (RH)	1	1
25	1348246	Hose Guide (LH)	1
26	1581567	Nut	1	2
27	1529015	Cap	2	4
28	1597448	Capscrew	2	4
29	1643405	Hose Clamp	1	2
29	4008020	Clamp	1	2
30	1581853	Washer	1	2
31	1381642	Stubshaft	1	2
32	1610914	Bracket	1	1
33	1360507	Clamp	2	2

HEADER HOSE THREE STAGE FULL FREE-LIFT (3/2011 →)

KEY:**A: 3 Function****B: 4 Function**

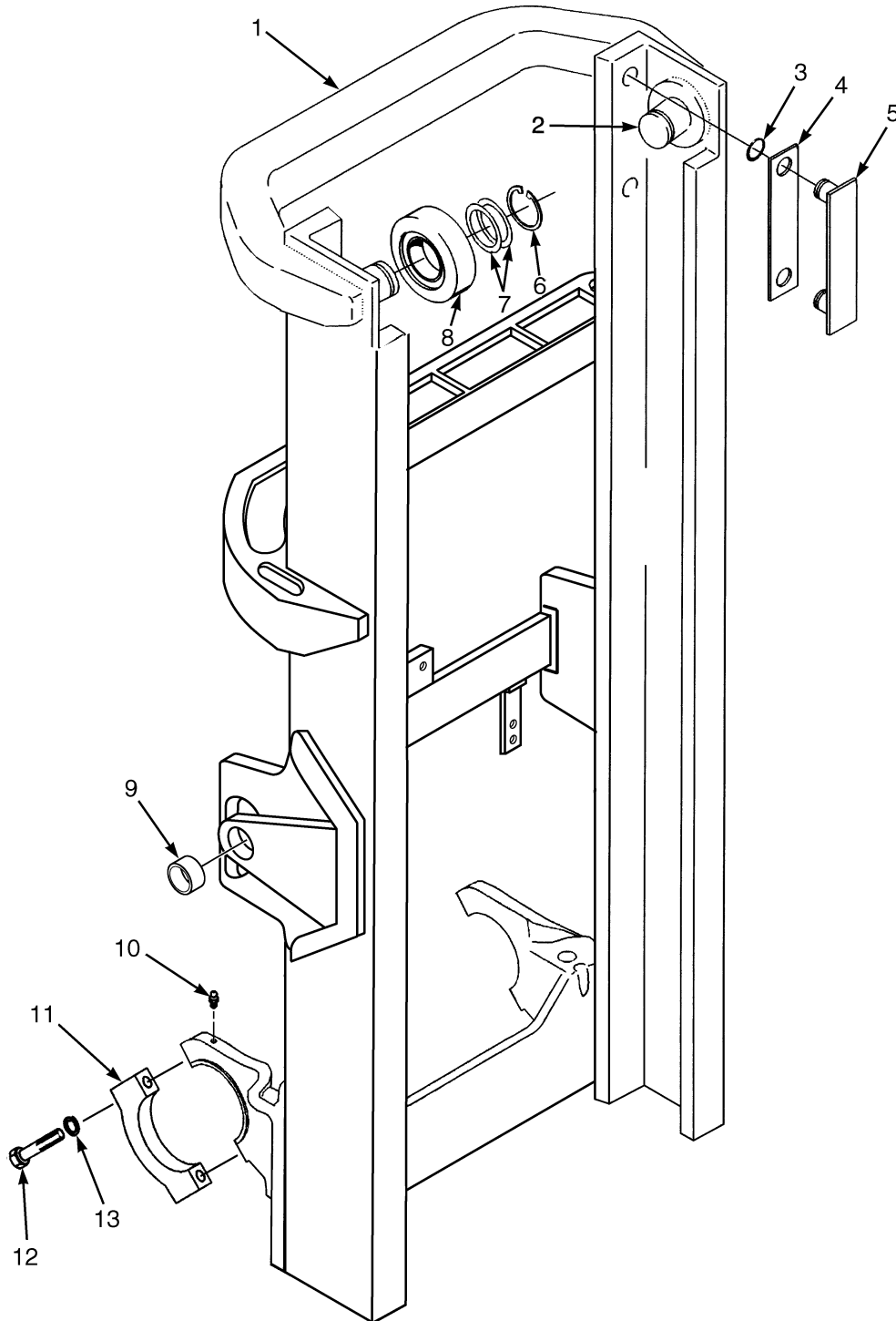
ITEM	PART NO.	DESCRIPTION	QTY	
			A	B
34	4020913	Spacer	1	2
35	4020914	Capscrew	1	..
35	4020923	Capscrew	1

FOOTNOTES:**a** Refer to Table

SECTION 9 MAST-TWO STAGE FULL FREE-LIFT

DESCRIPTION	PAGE
CARRIAGE	
TWO STAGE FULL FREE-LIFT - C559 SERIES	9-18
FREE-LIFT	
TWO STAGE FULL FREE-LIFT	9-12
FREE-LIFT CYLINDER	
TWO STAGE FULL FREE-LIFT	9-16
HEADER HOSE	
TWO STAGE FULL FREE- LIFT	9-20
INNER MAST	
TWO STAGE FULL FREE-LIFT	9-4
MAIN LIFT	
TWO STAGE FULL FREE-LIFT	9-6
MAIN LIFT CYLINDER - LH	
TWO STAGE FULL FREE-LIFT	9-8
MAIN LIFT CYLINDER - RH	
TWO STAGE FULL FREE-LIFT	9-10
OUTER MAST	
TWO STAGE FULL FREE-LIFT	9-2

OUTER MAST (FIGURE 9-1) TWO STAGE FULL FREE-LIFT



BP170189

**OUTER MAST
TWO STAGE FULL FREE-LIFT**

C559

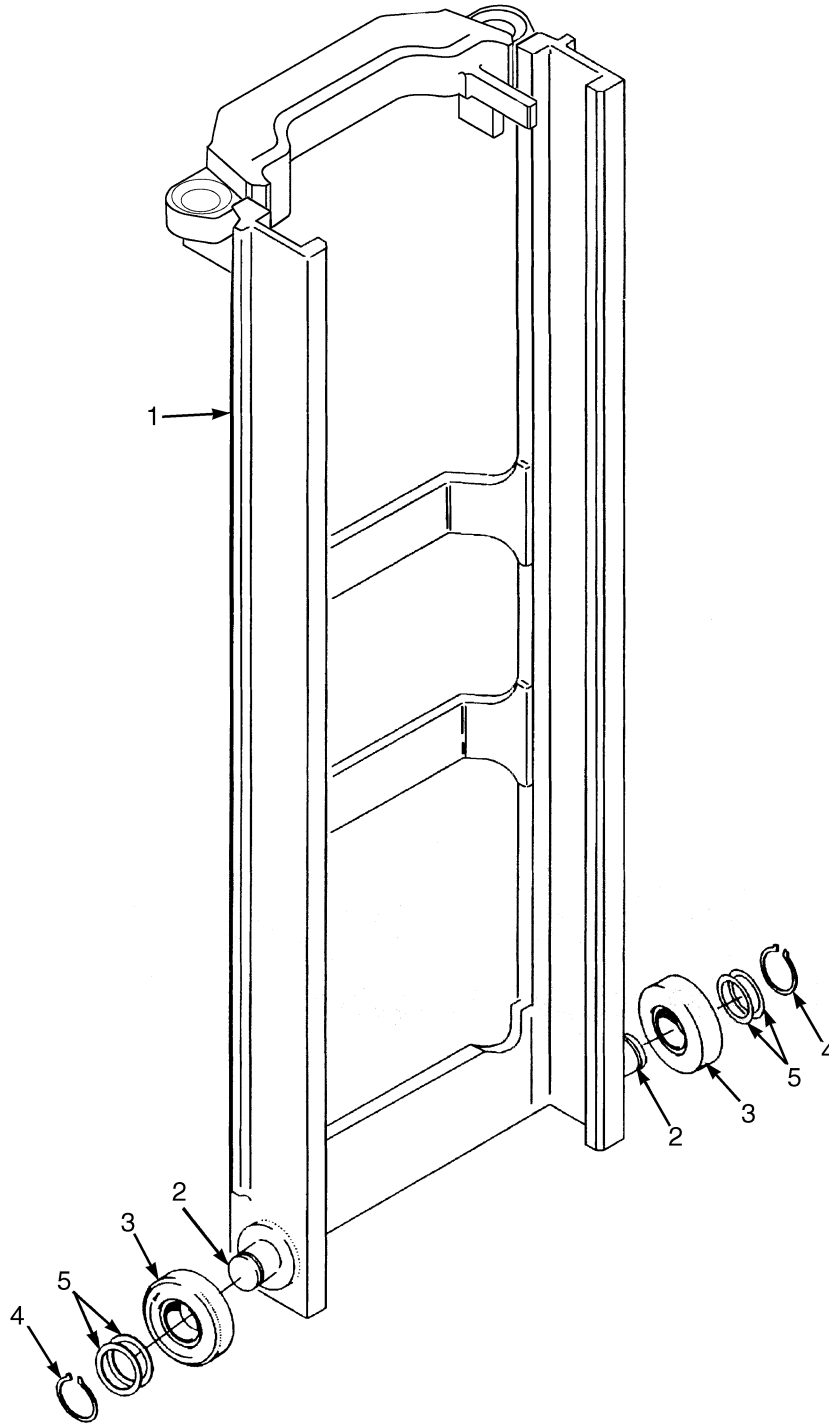
ITEM	DESCRIPTION 1 2 3 4	LIFT HEIGHT TO BOTTOM OF FORKS
		3178 mm (125.1 in.)
	Mast Group Number	C559 3178
	Mast Assy	2077612
1	Outer Mast	1608059

ITEM	PART NO.	DESCRIPTION	QTY
	a	Mast Assy	1
1	a	Outer Mast	1
2	1345216	Stubshaft	2
3	104506	O-Ring	4
4	131716	Shim (0.508 mm)	4
5	215212	Wear Strip	2
6	58901	Snap Ring	2
7	129387	Shim (0.508 mm)	AR
8	1333399	Load Roller ("B") (92.18 mm/91.92 mm)	2
9	1348185	Bushing	2
10	16001	Grease Fitting	2
11	1370722	Cap	2

FOOTNOTES:

a Refer to Table

**INNER MAST (FIGURE 9-2)
TWO STAGE FULL FREE-LIFT**



BP170156

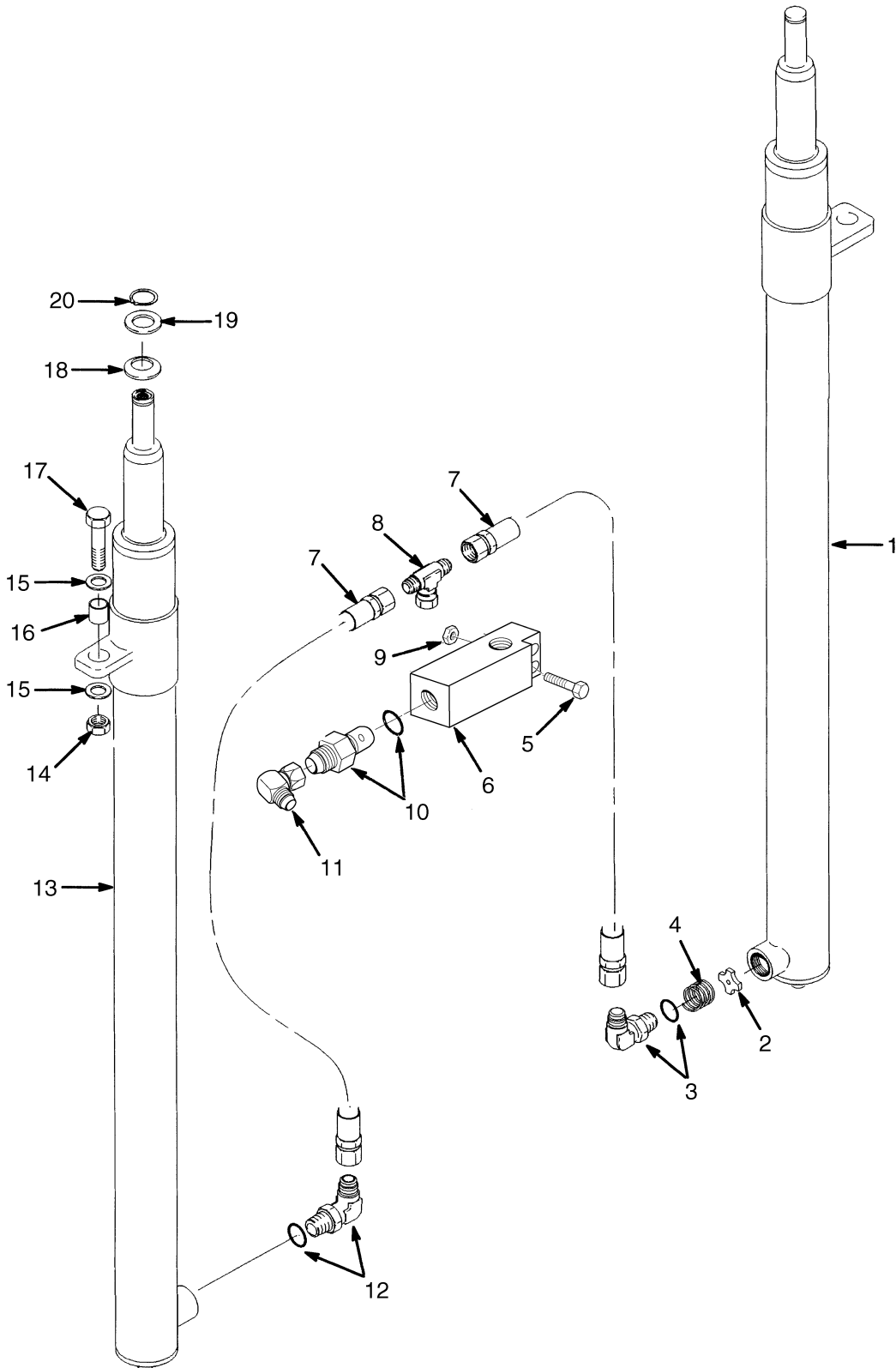
**INNER MAST
TWO STAGE FULL FREE-LIFT****C559**

ITEM	DESCRIPTION 1 2 3 4	LIFT HEIGHT TO BOTTOM OF FORKS
		3178 mm (125.1 in.)
	Mast Group Number	C559 3178
	Mast Assy	2077612
1	Inner Mast	1550078

ITEM	PART NO.	DESCRIPTION	QTY
	a	Mast Assy	1
1	a	Inner Mast	1
2	1345216	Stubshaft	2
3	1333399	Load Roller ("B") (92.18 mm/91.92 mm)	2
4	58901	Snap Ring	2
5	129387	Shim (0.508 mm)	AR

FOOTNOTES:**a** Refer to Table

**MAIN LIFT (FIGURE 9-3)
TWO STAGE FULL FREE-LIFT**

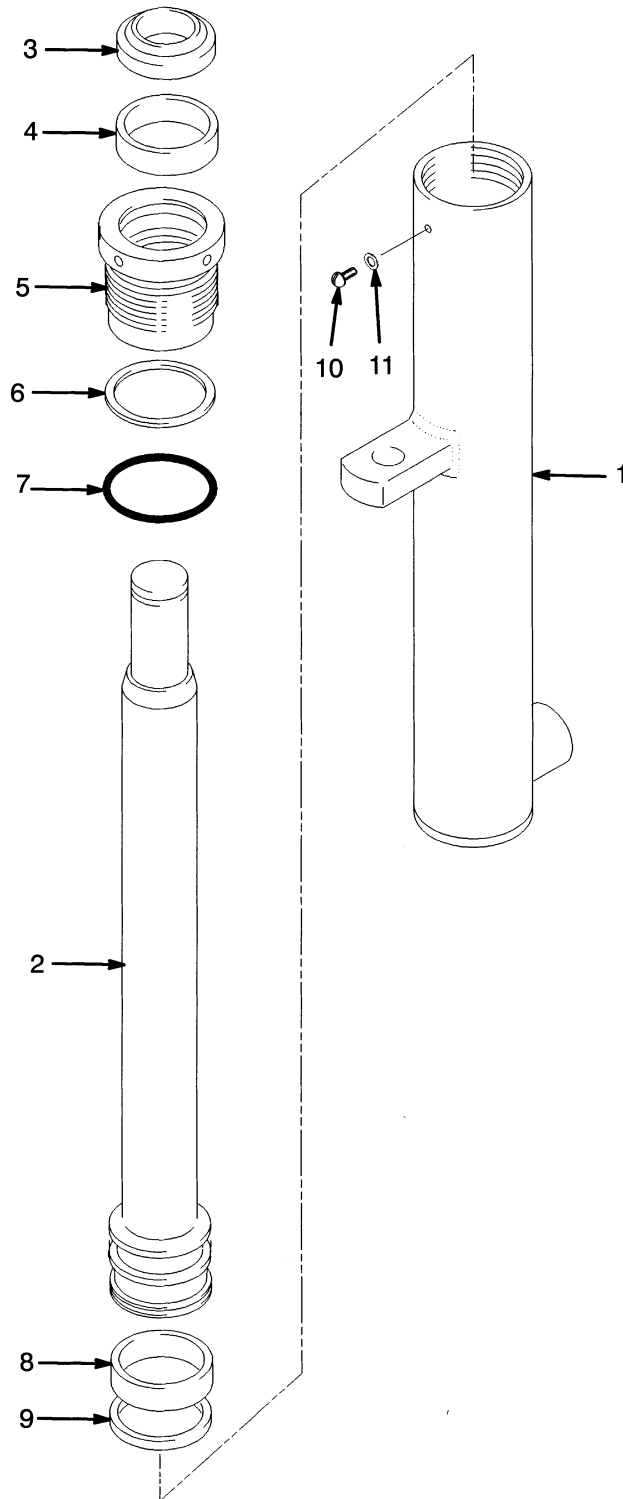


BP170158

**MAIN LIFT
TWO STAGE FULL FREE-LIFT**

ITEM	PART NO.	DESCRIPTION	QTY
1	Main Lift Cylinder (LH) (☞ Figure 9-4).....	1
2	323160	Washer	1
3	1481344	Fitting	1
3	16485	O-Ring	1
3	252729	O-Ring	1
4	120938	Spring	1
5	1581583	Capscrew	2
6	1379687	Housing (Lowering Control)	1
7	2084241	Hose Assy	2
8	1532650	Fitting	1
8	252729	O-Ring	1
8	16485	O-Ring	1
9	1581566	Nut	2
10	1481348	Lowering Control Valve	1
10	252729	O-Ring	1
10	16485	O-Ring	1
11	1486773	Fitting	1
11	252729	O-Ring	1
11	16485	O-Ring	1
12	1487067	Fitting	2
12	16485	O-Ring	1
12	252729	O-Ring	1
13	Main Lift Cylinder (RH) (☞ Figure 9-5).....	1
14	1581849	Nut	2
15	1581852	Washer	4
16	323090	Spacer	2
17	1581829	Capscrew	2
18	1354915	Washer (0.254 mm)	AR
18	1354916	Washer (0.762 mm)	AR
18	1354917	Washer (1.524 mm)	AR
19	1333382	Washer (1.500 mm)	2
20	131358	Snap Ring	3

**MAIN LIFT CYLINDER - LH (FIGURE 9-4)
TWO STAGE FULL FREE-LIFT**



HP171210

**MAIN LIFT CYLINDER - LH
TWO STAGE FULL FREE-LIFT**

C559

ITEM	DESCRIPTION 1 2 3 4	LIFT HEIGHT TO BOTTOM OF FORKS
		3178 mm (125.1 in.)
	Mast Group Number	C559 3178
	Cylinder Group Number	8501908
	Cylinder Assy	b2046367 c2069334 b1365607 c2069276 1365666
1	Tube Wldmt- Cylinder	b1365607 c2069276 1365666
2	Cylinder Rod	1365666

ITEM	PART NO.	DESCRIPTION	QTY
	a	Cylinder Assy	1
1	a	Tube Wldmt-Cylinder	1
2	a	Cylinder Rod	1
3	1310369	Rod Wiper	1
4	1381082	Rod Seal	1
5	b 1498116	Gland	1
5	c 1563591	Gland	1
6	132834	Back-Up Ring	1
7	55407	O-Ring	1
8	1374802	Wear Ring	1
9	1362875	Piston Ring	1
10	295649	Screw	1
11	190887	Sealing Ring	1
	1498115	Kit-Seal	1

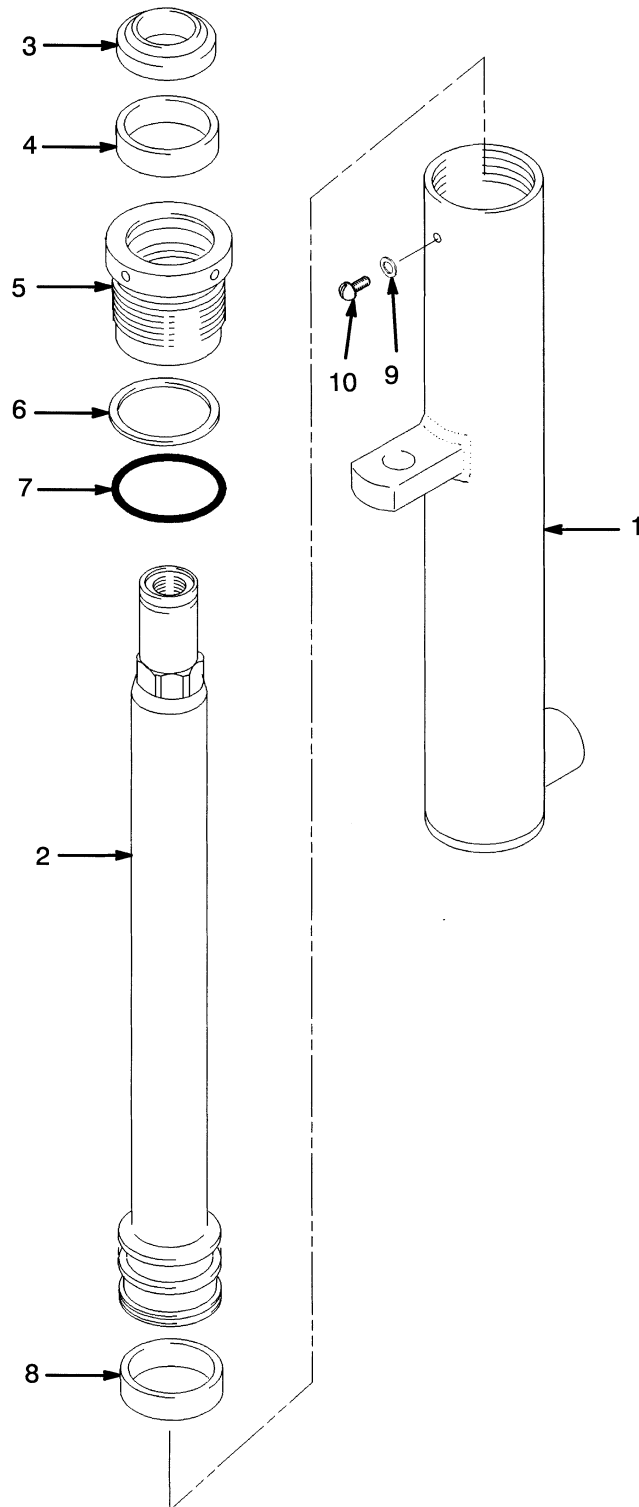
FOOTNOTES:

a Refer to Table

c S/N F114A01714E →

b → S/N F114A01713E

MAIN LIFT CYLINDER - RH (FIGURE 9-5) TWO STAGE FULL FREE-LIFT



HP171211

**MAIN LIFT CYLINDER - RH
TWO STAGE FULL FREE-LIFT**

C559

ITEM	DESCRIPTION 1 2 3 4	LIFT HEIGHT TO BOTTOM OF FORKS
		3178 mm (125.1 in.)
	Mast Group Number	C559 3178
	Cylinder Group Number	8501808
	Cylinder Assy	b2046336 c2069306 b1365607 c2069276 1365637
1	Tube Wldmt- Cylinder	b1365607 c2069276 1365637
2	Cylinder Rod	1365637

ITEM	PART NO.	DESCRIPTION	QTY
	a	Cylinder Assy	1
1	a	Tube Wldmt-Cylinder	1
2	a	Cylinder Rod	1
3	1310369	Rod Wiper	1
4	1381082	Rod Seal	1
5	b 1498116	Gland	1
5	c 1563591	Gland	1
6	132834	Back-Up Ring	1
7	55407	O-Ring	1
8	1374802	Wear Ring	1
9	190887	Sealing Ring	1
10	295649	Screw	1
	1498115	Kit-Seal	1

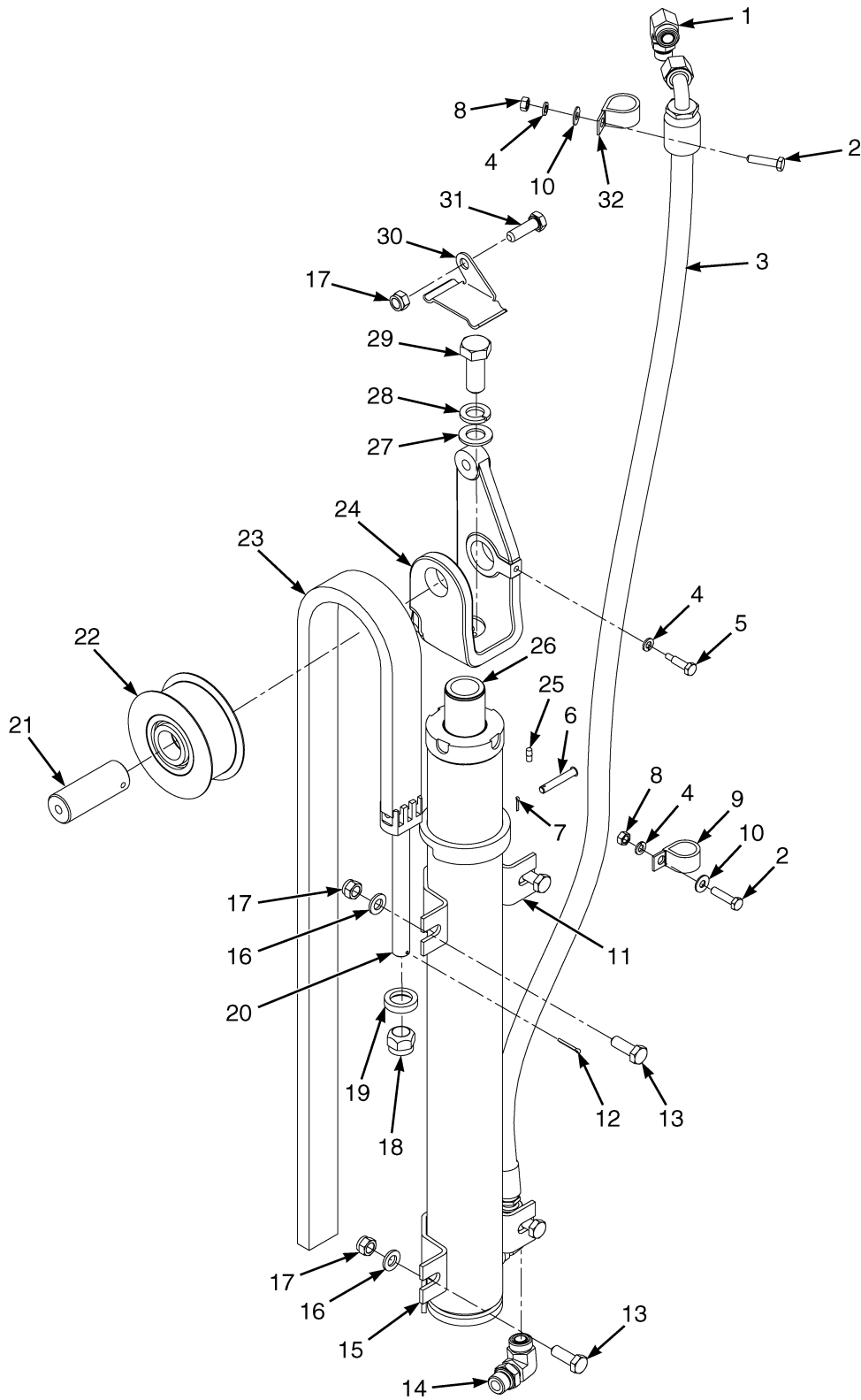
FOOTNOTES:

a Refer to Table

b → S/N F114A01713E

c S/N F114A01714E →

FREE-LIFT (FIGURE 9-6) TWO STAGE FULL FREE-LIFT



BP170177

**FREE-LIFT
TWO STAGE FULL FREE-LIFT****C559**

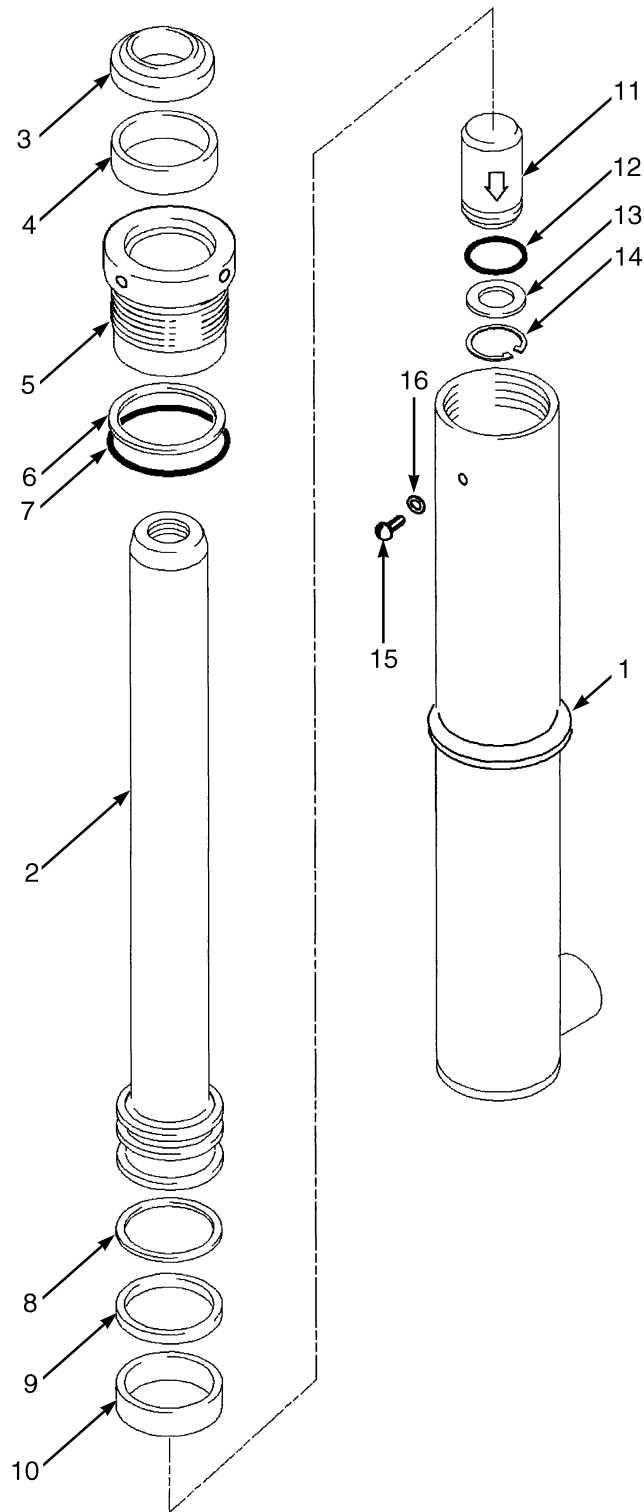
ITEM	DESCRIPTION 1 2 3 4	LIFT HEIGHT TO BOTTOM OF FORKS
		3178 mm (125.1 in.)
	Mast Group Number	C559 3178
23	Chain	1550128

ITEM	PART NO.	DESCRIPTION	QTY
1	1481345	Fitting	1
1	252729	O-Ring	1
1	16484	O-Ring	1
2	1596420	Capscrew	2
3	2085024	Hose Assy	1
4	1581562	Lockwasher	3
5	1481230	Capscrew	1
6	1340687	Pin	1
7	15211	Cotter Pin	1
8	1596421	Nut	2
9	178119	Clamp	1
10	1581851	Washer	2
11	1489972	Bracket	1
12	15223	Cotter Pin	1
13	1596404	Capscrew	4
14	1481346	Valve (Flow)	1
14	252729	O-Ring	1
15	1573676	Bracket (Cylinder Guard)	1
16	1581852	Washer	4
17	1581849	Nut	5
18	182377	Nut	1
19	182376	Ring	1
20	1605676	Chain Anchor	1
21	1481052	Pin	1
22	1481054	Chain Sheave	1
22	1481053	Chain Sheave	1
22	1378699	Ball Bearing	2
23	a	Chain	1
24	1481009	Crosshead	1
25	310549	Pin	1
26	Free-Lift Cylinder (☞ Figure 9-7).....	1
27	1596408	Washer	1
28	1596407	Lockwasher	1
29	1596406	Capscrew	1
30	1481055	Bracket	1
31	1581591	Capscrew	1
32	166112	Clamp	1

FOOTNOTES:

- a Refer to Table

FREE-LIFT CYLINDER (FIGURE 9-7) TWO STAGE FULL FREE-LIFT



BP170160

**FREE-LIFT CYLINDER
TWO STAGE FULL FREE-LIFT**

C559

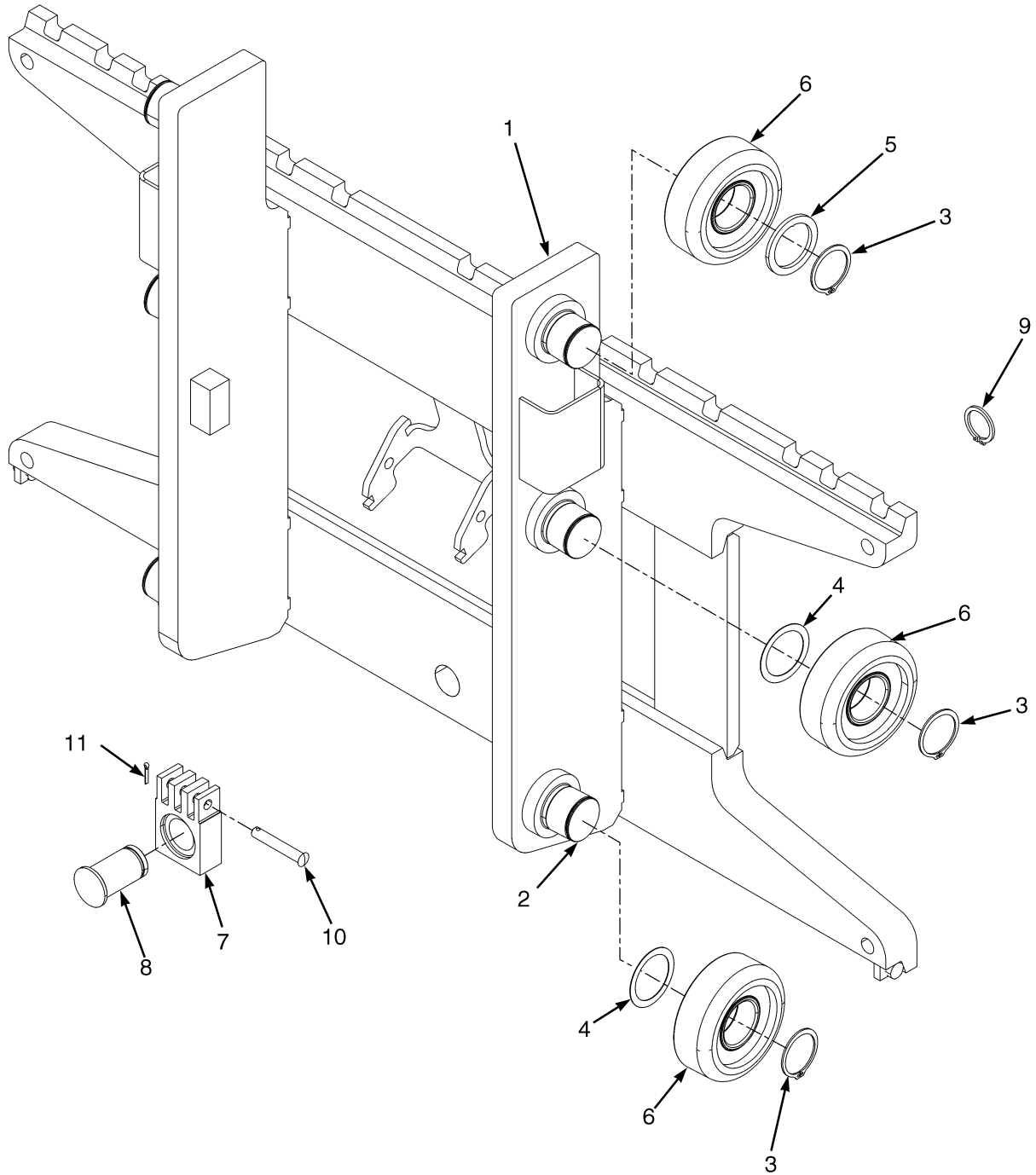
ITEM	DESCRIPTION 1 2 3 4	LIFT HEIGHT TO BOTTOM OF FORKS
		3178 mm (125.1 in.)
	Mast Group Number	C559 3178
	Cylinder Group Number	8500308
	Cylinder Assy	2068200
1	Tube Wldmt- Cylinder	1362924
2	Cylinder Rod	2068160

ITEM	PART NO.	DESCRIPTION	QTY
	a	Cylinder Assy	1
1	a	Tube Wldmt-Cylinder	1
2	a	Cylinder Rod	1
3	2013099	Rod Wiper	1
3	1463105	Rod Wiper (Alternate Part)	1
4	1358970	Rod Seal	1
4	1622946	Rod Seal (Alternate Part)	1
5	1362880	Gland	1
6	615135	Back-Up Ring	1
7	55146	O-Ring	1
8	638250	Back-Up Ring	1
9	201829	Rod Seal	1
10	1362881	Wear Ring	1
11	257913	Check Valve	1
11	265787	O-Ring	1
11	297538	Check Valve (Alternate Part)	1
12	190580	O-Ring	1
13	297531	Washer	1
14	187388	Snap Ring	1
15	1361302	Screw	1
16	190887	Sealing Ring	1
	1360141	Kit-Seal	1

FOOTNOTES:

a Refer to Table

CARRIAGE (FIGURE 9-8) TWO STAGE FULL FREE-LIFT — C559 SERIES

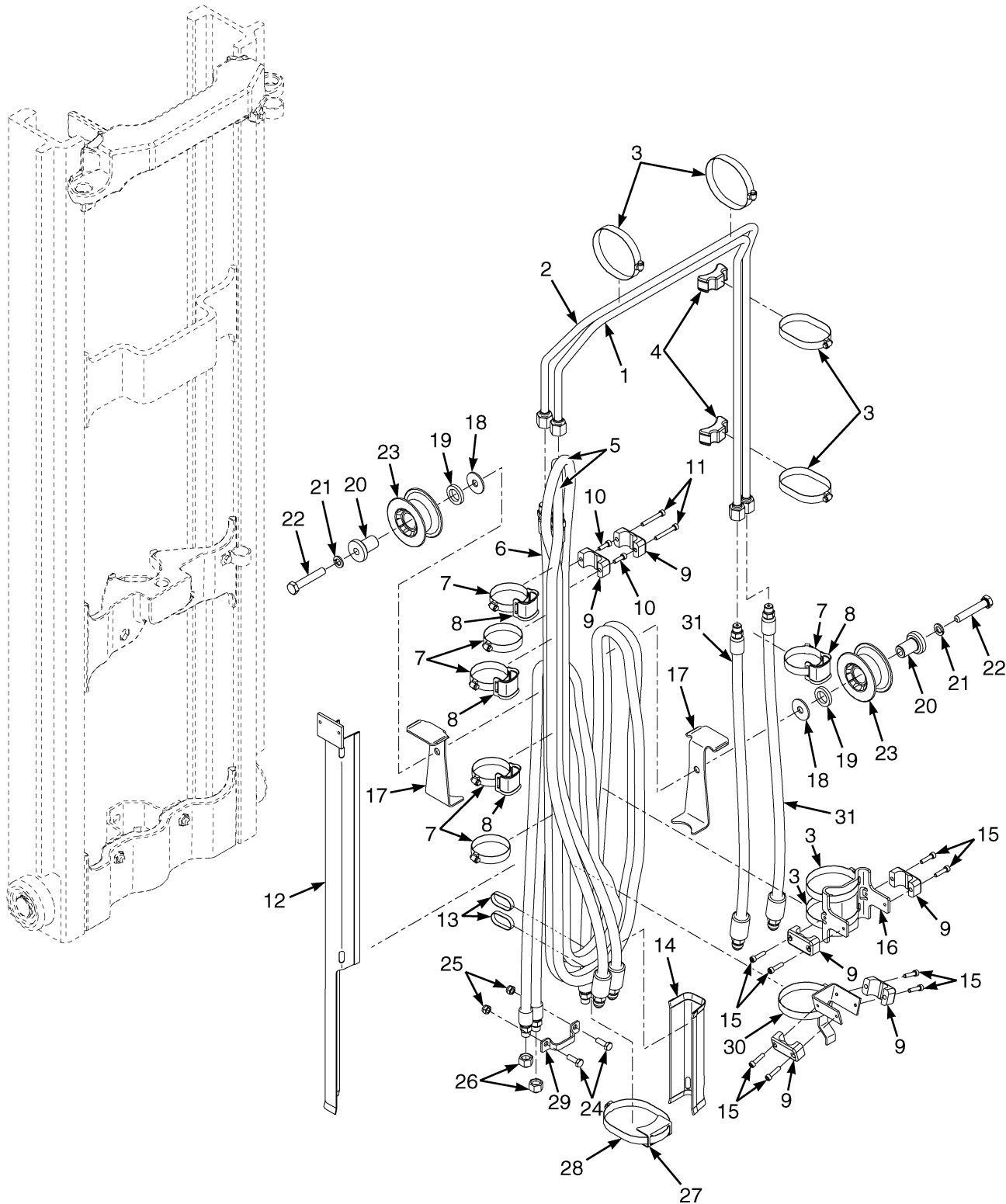


BP170161

CARRIAGE
TWO STAGE FULL FREE-LIFT – C559 SERIES

ITEM	PART NO.	DESCRIPTION	QTY
	1549693	Carriage	1
	2108532	Carriage (Alternate Part)	1
1	1549683	Frame	1
1	1693465	Carriage Wldmt (Alternate Part)	1
2	1345216	Stubshaft	6
3	58901	Snap Ring	6
4	129387	Shim (0.508 mm)	AR
5	366115	Spacer	2
6	1333399	Load Roller ("B") (92.18 mm/91.92 mm)	6
7	1481258	Chain Anchor	1
8	185597	Pin	1
9	131358	Snap Ring	2
10	1340687	Pin	1
11	15211	Cotter Pin	1

HEADER HOSE (FIGURE 9-9) TWO STAGE FULL FREE- LIFT



BP170449

**HEADER HOSE
TWO STAGE FULL FREE- LIFT****C559**

ITEM	DESCRIPTION 1 2 3 4	LIFT HEIGHT TO BOTTOM OF FORKS
		3178 mm (125.1 in.)
	Mast Group Number	C559 3178
1	Hydraulic Tube	1549968
2	Hydraulic Tube	1549998
5	Header Hose	2110434
6	Header Hose	2110338
12	Hose Guide	1619744
14	Hose Guide	1605688

KEY:**A: 3 Function****B: 4 Function**

ITEM	PART NO.	DESCRIPTION	QTY	
			A	B
1	a	Hydraulic Tube	1	1
2	a	Hydraulic Tube	1	1
3	1360507	Clamp	6	6
4	1606855	Spacer	2	2
5	a	Header Hose	2
6	a	Header Hose	2	2
7	1481229	Clamp	3	6
8	1477996	Hose Clamp	3	6
9	1360386	Clamp (Double Hose)	3	6
10	1581842	Capscrew	2	..
11	1581843	Capscrew	2
12	a	Hose Guide	1	1
13	137852	Strap Clamp	1	2
14	a	Hose Guide	1	1
15	1581741	Capscrew	4	8
16	1610914	Bracket	1	1
17	893834	Header Hose (Bracket)	1	2
18	1345190	Washer	1	2
19	1360549	Spacer	1	2
20	1360547	Stubshaft	1	2
21	1581564	Lockwasher	1	2
22	1581830	Capscrew	1	2
23	1494017	Hose Sheave	1	2
24	1581581	Capscrew	2	4
25	1581566	Nut	2	4
26	1529015	Cap	2	4
27	1345423	Clamp	1	1
28	1360508	Clamp	1	1

HEADER HOSE TWO STAGE FULL FREE- LIFT

KEY:**A: 3 Function****B: 4 Function**

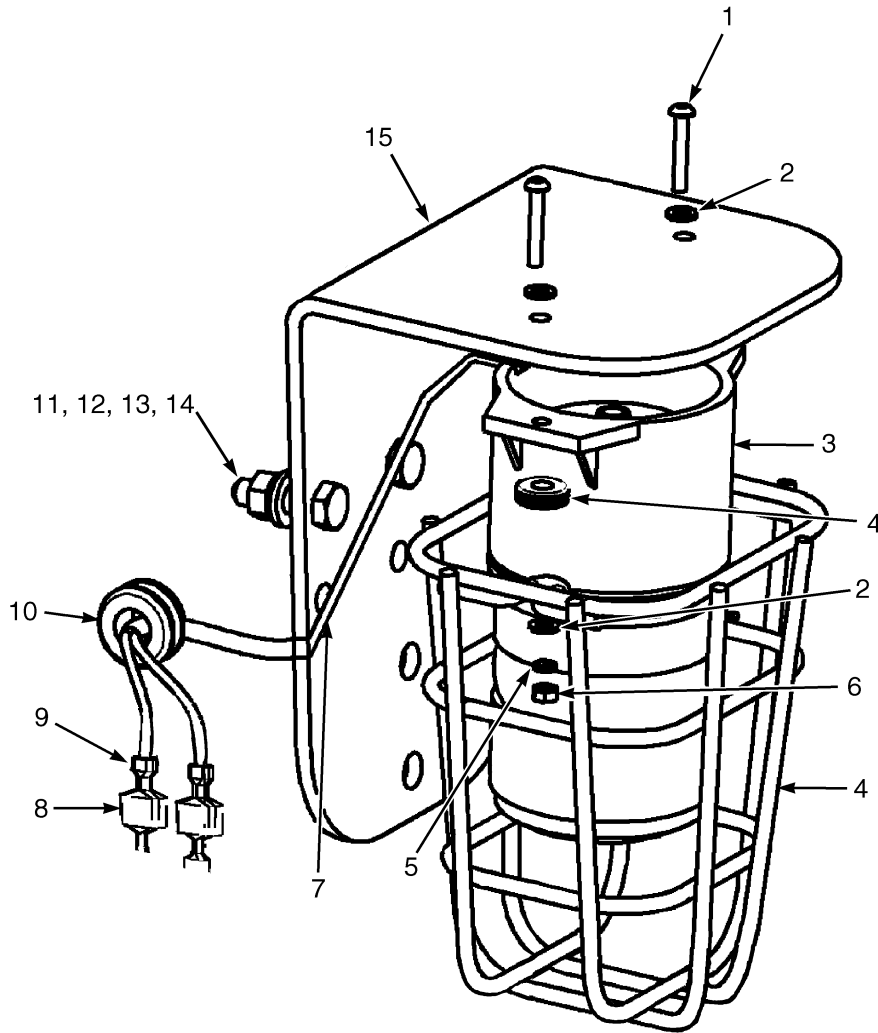
ITEM	PART NO.	DESCRIPTION	QTY	
			A	B
29	1643405	Hose Clamp	1	2
30	1617658	Clamp	1	1
31	2079960	Hose Assy	2

FOOTNOTES:**a** Refer to Table

**SECTION 10
OPTIONS**

DESCRIPTION	PAGE
BRAKE AND BACK-UP LIGHTS	
WITH AUDIBLE ALARM (→ S/N F114A01975E)	10-4
WITH AUDIBLE ALARM - LED (S/N F114A01976E ↔ S/N F114A02390G) (S/N F114B01501G →)	10-6
FRONT WORK LIGHTS AND ATTACHING PARTS	
WITH DC CONVERTER	10-10
INTEGRAL SIDE-SHIFT CARRIAGE	
TWO AND THREE STAGE FULL FREE-LIFT - SINGLE CHAIN	10-14
TWO STAGE LIMITED FREE-LIFT	10-12
INTEGRAL SIDE-SHIFT CYLINDER	10-16
INTEGRAL SIDE-SHIFT HYDRAULIC HOSES	
TWO AND THREE STAGE FULL FREE-LIFT	10-18
TWO STAGE LIMITED FREE-LIFT	10-17
REAR WORK LIGHTS AND ATTACHING PARTS	10-8
STROBE LIGHT	10-2
TAIL LIGHT ASSEMBLY AND ATTACHING PARTS	10-7

STROBE LIGHT (FIGURE 10-1)



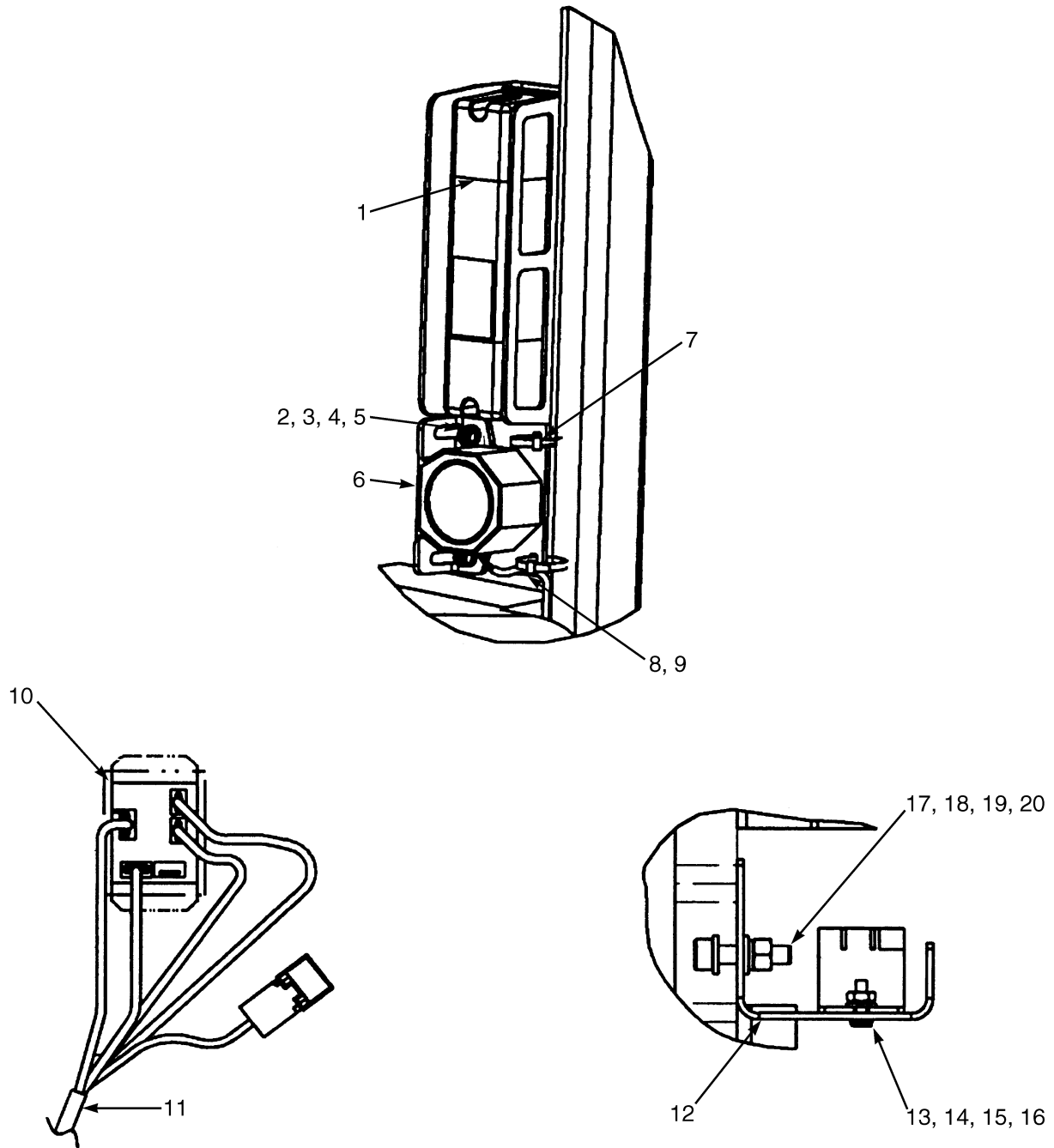
HP081719

STROBE LIGHT

ITEM	PART NO.	DESCRIPTION	QTY
1	302250	Capscrew	2
2	197067	Washer	4
3	b 1652290	Strobe Light (Amber LED)	1
3	a 1382130	Strobe Light	1
3	1673755	Lens	1
3	1673704	Lamp	1
4	1302024	Guard (Strobe Light) (Includes Grommet)	1
5	293778	Lockwasher	2
6	292668	Nut	2
7	878959	Hose Guard	AR
8	1364588	Wire Harness (Strobe Light)	1
8	1306270	Terminal	4
9	1306271	Terminal	1
10	1367645	Grommet	1
11	176640	Bolt	2
12	320157	Washer	2
13	292681	Lockwasher	2
14	239503	Nut	2
15	1557146	Bracket	1

FOOTNOTES:**a** → S/N F114A01976E**b** S/N F114A01977E →

BRAKE AND BACK-UP LIGHTS (FIGURE 10-2) WITH AUDIBLE ALARM (→ S/N F114A01975E)



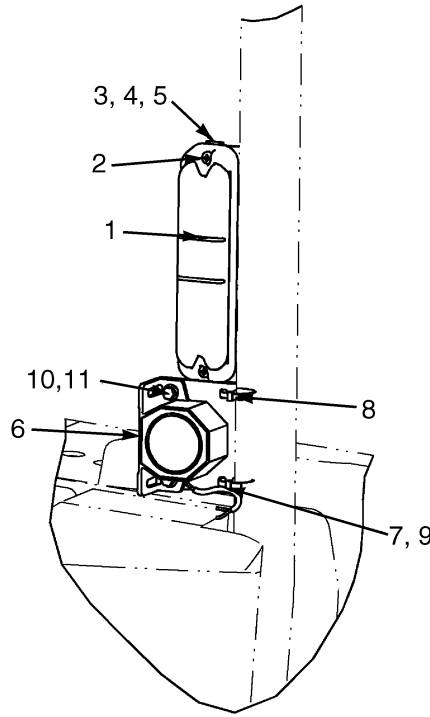
BP000242

**BRAKE AND BACK-UP LIGHTS
WITH AUDIBLE ALARM (→ S/N F114A01975E)**

ITEM	PART NO.	DESCRIPTION	QTY
1	1364541	Brake/Backup Light	2
2	292501	Capscrew	2
3	320156	Washer	2
4	292680	Washer	2
5	136687	Nut	2
6	2066700	Back-Up Alarm	1
7	137852	Strap Clamp	2
8	1557145	Bracket	1
9	316678	Screw	2
10	1525827	Relay (24 Volt)	1
11	a 2067259	Wire Harness (Lights) (☞ Figure 2-21).....	1
11	b 2108031	Wire Harness (Lights)	1
12	1556487	Bracket	1
13	220289	Screw	2
14	197065	Washer	2
15	15151	Lockwasher	2
16	15049	Nut	2
17	293796	Capscrew	2
18	320156	Washer	4
19	293779	Lockwasher	2
20	1383681	Nut	2

FOOTNOTES:**a** → S/N F114E02392F**b** S/N F114N02393F →

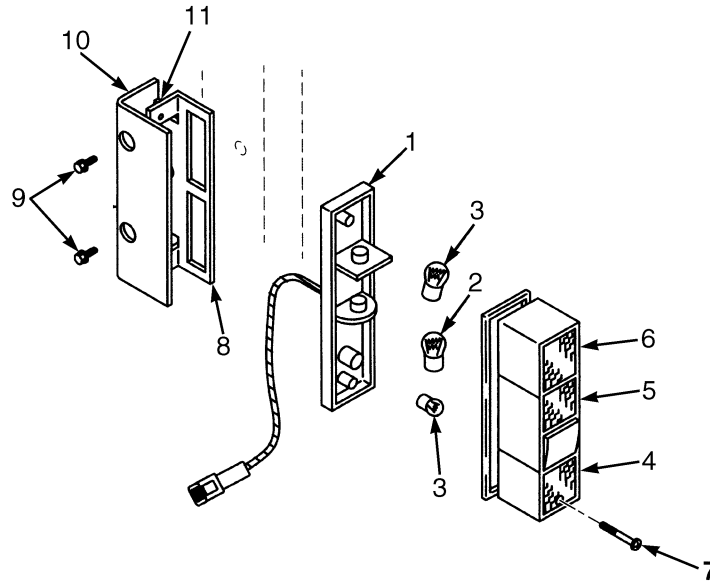
BRAKE AND BACK-UP LIGHTS (FIGURE 10-3)
WITH AUDIBLE ALARM — LED (S/N F114A01976E ↔ S/N F114A02390G) (S/N F114B01501G →)



BP000364

ITEM	PART NO.	DESCRIPTION	QTY
1	1556324	Brake/Backup Light (LED)	2
2	302036	Screw	4
3	1555680	Bracket (LED Light)	2
4	1364542	Nut	4
5	316678	Screw	8
6	2066700	Back-Up Alarm	1
7	1557145	Bracket	1
8	137852	Strap Clamp	2
9	316678	Screw	2
10	1527876	Capscrew	2
11	4307884	Nut	2
	1514429	Nut	2

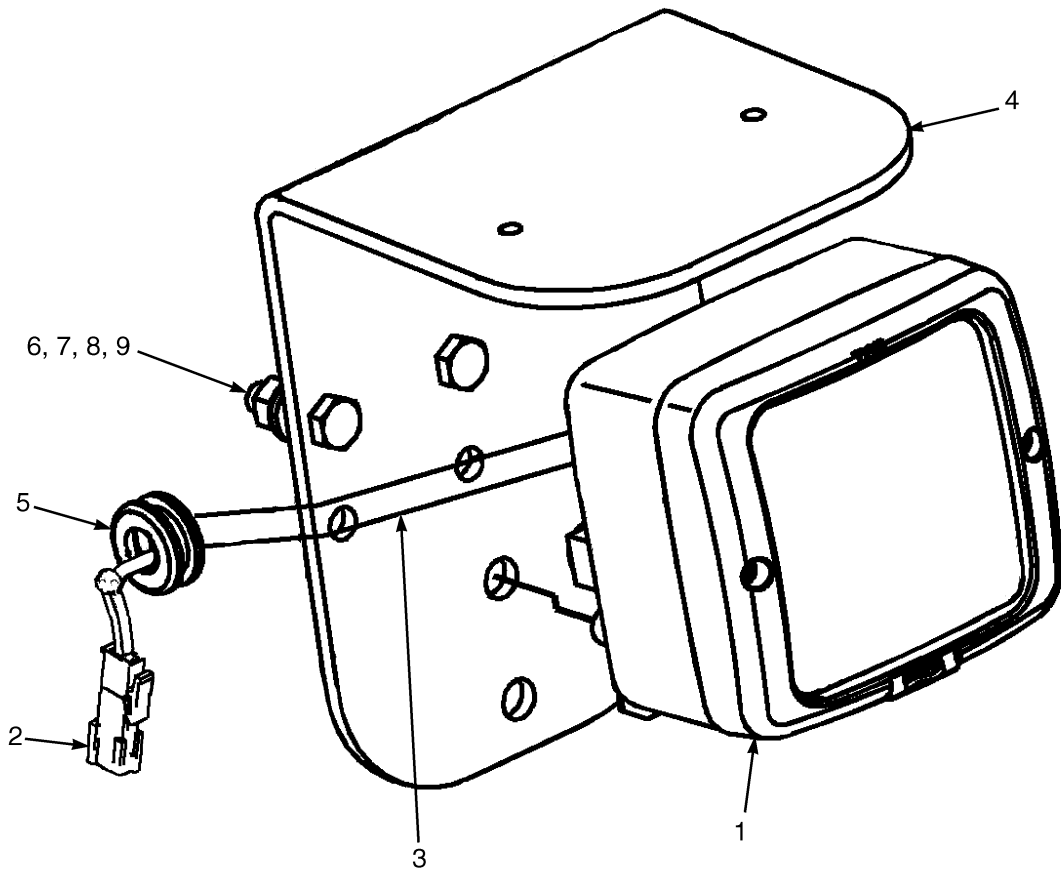
TAIL LIGHT ASSEMBLY AND ATTACHING PARTS (FIGURE 10-4)



BP000245

ITEM	PART NO.	DESCRIPTION	QTY
1	1364541	Brake/Backup Light	2
1	1330438	Terminal (Socket)	4
1	1330421	Connector (4 Soc)	1
1	1330427	Connector (Secondary Lock)	1
2	264007	Bulb	1
3	1302258	Bulb	2
4	1376439	Lens (Clear)	1
5	1376440	Lens (Red) (Center)	1
6	1376441	Lens (Red) (End)	1
7	1376446	Screw	2
8	1364265	Plate	2
9	316678	Screw	8
10	1364264	Plate	2
11	1364542	Nut	4

REAR WORK LIGHTS AND ATTACHING PARTS (FIGURE 10-5)

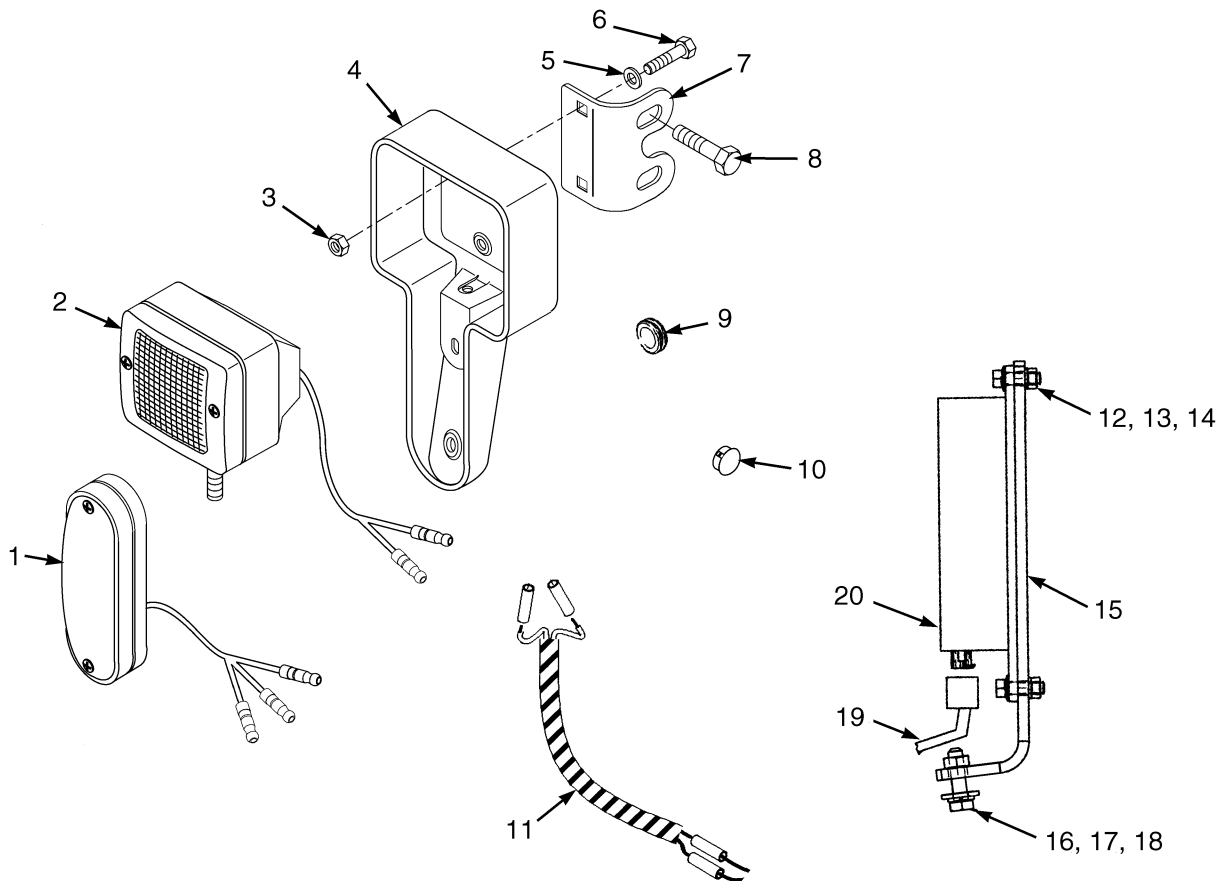


BP000215

REAR WORK LIGHTS AND ATTACHING PARTS

ITEM	PART NO.	DESCRIPTION	QTY
1	1554873	Work Light	2
1	1662409	Bulb (Clear) (55 W 1450 lm)	2
2	2067321	Wire Harness (Rear Work Light)	1
2	2033695	Connector	2
2	2302852	Pin	4
3	878959	Hose Guard	AR
4	1557146	Bracket	1
5	1367645	Grommet	1
6	176640	Bolt	2
7	320157	Washer	2
8	292681	Lockwasher	2
9	239503	Nut	2

FRONT WORK LIGHTS AND ATTACHING PARTS (FIGURE 10-6) WITH DC CONVERTER



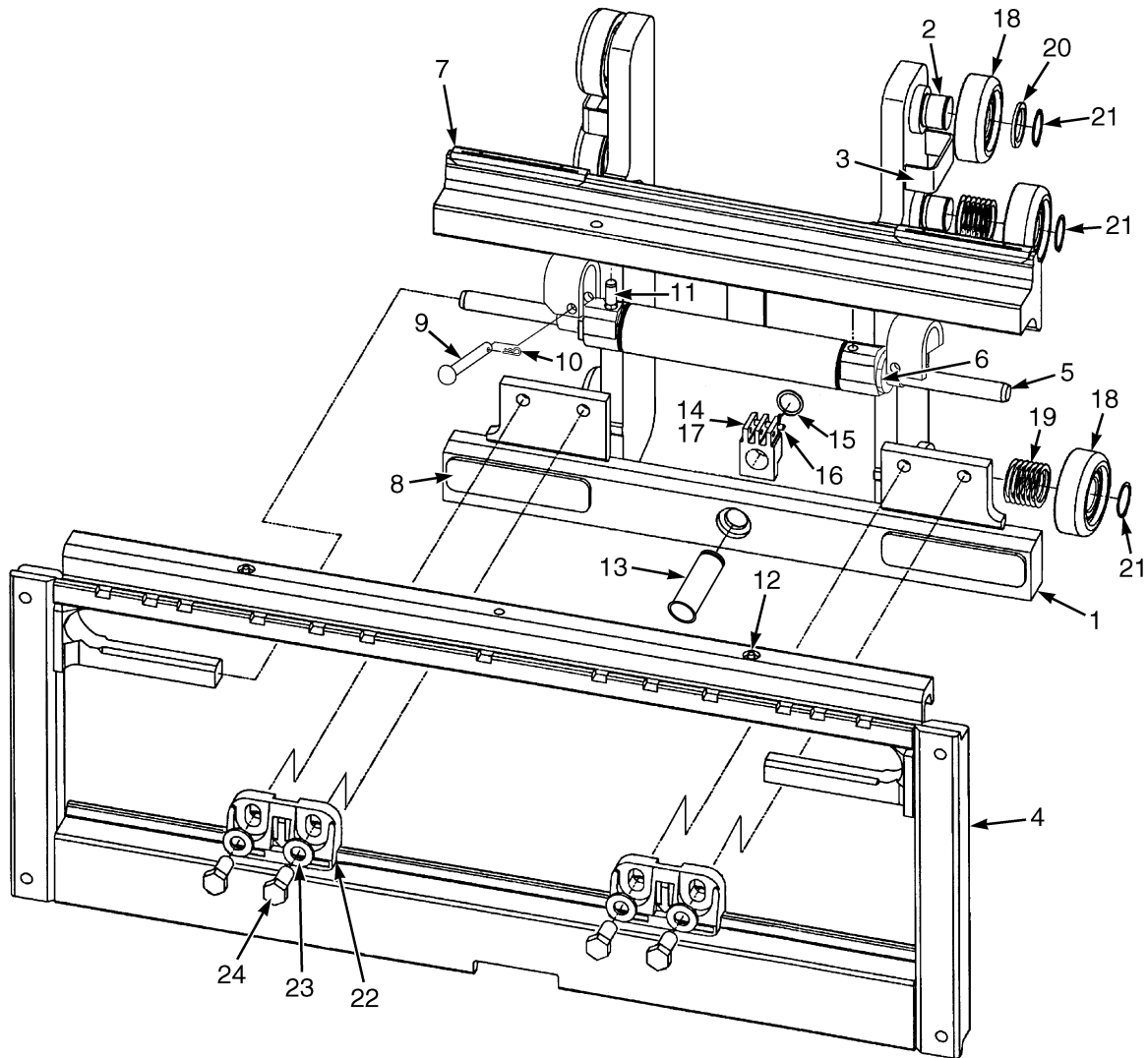
ITEM	PART NO.	DESCRIPTION	QTY
1	1554874	Indicator Light	2
1	1363011	Bulb	1
1	1547838	Bulb	1
1	1547839	Lens	1
2	1554873	Work Light	2
3	316834	Nut	4
4	1518987	Guard (Light)	2
5	1476421	Washer	4
6	2060639	Bolt	4
7	2061942	Bracket	2
8	316678	Screw	4
9	1367645	Grommet	6
10	1466656	Plug	2
11	2067319	Wire Harness (Front Work Light)	2
11	2063814	Plug	2
11	2033695	Connector	1
11	2302852	Pin	7
12	1527877	Capscrew	4
13	292680	Washer	4
14	136687	Nut	4
15	1569102	Bracket Wldmt	1
16	176640	Bolt	2
17	320158	Washer	2
18	292681	Lockwasher	2
19	a 2067259	Wire Harness (Lights) (☞ Figure 2-21).....	1
19	b 2108031	Wire Harness (Lights)	1
20	2066643	Dc-Dc Converter (36V/48V to 12V)	1

FOOTNOTES:**a** → S/N F114A02392F**b** S/N F114A02393F →

**INTEGRAL SIDE-SHIFT CARRIAGE
TWO STAGE LIMITED FREE-LIFT**

ITEM	PART NO.	DESCRIPTION	QTY
	1486172	Side-Shift Carriage (907 mm)	1
1	1488992	Carriage Wldmt (Inner) (907 mm)	1
2	1489009		
	4033953	Frame	1
3	2043528	Sideshift Cylinder Assembly (☞Figure 10-9).....	1
4	2043531	Bearing Strip (Upper)	2
5	2043533	Bearing Strip (Lower)	2
6	2043530		
	4611363	Hook	2
7	226458	Capscrew	4
8	296426	Washer	4
9	1401746	Pin	2
10	18832	Cotter Pin	2
11	302487	Roll Pin	1
12	16041	Grease Fitting	2
13	1333399	Load Roller ("B") (92.18 mm/91.92 mm)	6
14	58901	Snap Ring	6
15	129387	Shim (0.508 mm)	28
16	366115	Spacer	6
17	1369345	Chain Anchor (Dual Hole)	2
17	1504010	Chain Anchor (Single Hole)	2
18	1353408	Pin	2
19	131358	Snap Ring	4
20	1514866	Pin	2
21	15211	Cotter Pin	2
22	1498326	Shim	AR

INTEGRAL SIDE-SHIFT CARRIAGE (FIGURE 10-8) TWO AND THREE STAGE FULL FREE-LIFT — SINGLE CHAIN



BP000584

INTEGRAL SIDE-SHIFT CARRIAGE

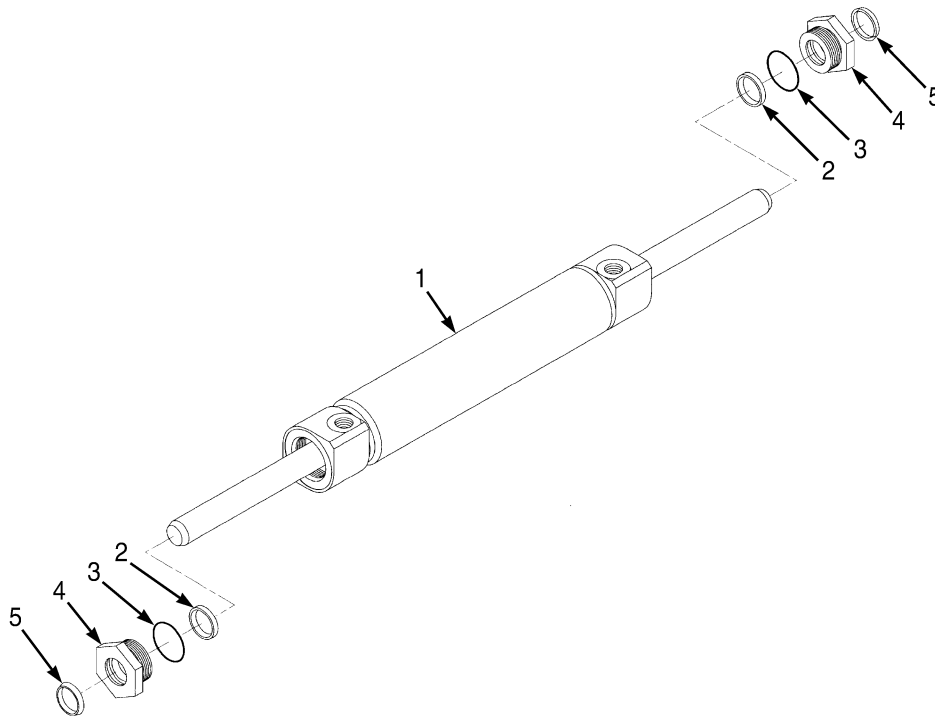
TWO AND THREE STAGE FULL FREE-LIFT – SINGLE CHAIN

KEY:**A:** Two Stage Full Free-Lift**B:** Three Stage Full Free-Lift

ITEM	PART NO.	DESCRIPTION	QTY	
			A	B
	2108533			
	4610633	Side-Shift Carriage	1	..
	2108534			
	4609036	Side-Shift Carriage (907 mm)	1
1	1693455	Carriage (Inner) (907 mm) (Inner)	1	..
1	1693454			
	4008043	Carriage Wldmt (907 mm) (Inner)	1
2	1345216	Stubshaft	6	6
3	322990	Guard	2	2
4	1489009			
	4033953	Frame	1	1
5	2043528	Sideshift Cylinder Assembly (☞Figure 10-9).....	1	1
6	1498326	Shim	AR	AR
7	2043531	Bearing Strip (Upper)	2	2
8	2043533	Bearing Strip (Lower)	2	2
9	1401746	Pin	2	2
10	18832	Cotter Pin	2	2
11	302487	Roll Pin	1	1
12	16041	Grease Fitting	2	2
13	321205	Pin	1	1
14	1340687	Pin	1	1
15	131358	Snap Ring	1	1
16	1481258	Chain Anchor	1	1
17	15211	Cotter Pin	1	1
18	1333399	Load Roller ("B") (92.18 mm/91.92 mm)	6	..
18	a 1395169	Load Roller ("A") (91.80 mm/91.54 mm)	6	..
18	a 1393132	Load Roller ("B") (92.18 mm/91.92 mm)	6	..
18	a 1395175	Load Roller ("A") (93.32 mm/93.06 mm)	6	..
18	1363272	Load Roller ("B") (82.18 mm)	6
18	a 1393142	Load Roller ("B") (82.18 mm)	6
18	a 1395176	Load Roller ("A") (82.00 mm)	6
18	a 1395174	Load Roller ("A") (81.80 mm)	6
19	129387	Shim (0.508 mm)	AR	AR
20	366115	Spacer	2	2
21	58901	Snap Ring	6	6
22	2043530			
	4611363	Hook	2	2
23	1581854	Washer	4	4
24	1581833	Capscrew	4	4

FOOTNOTES:**a** Optional

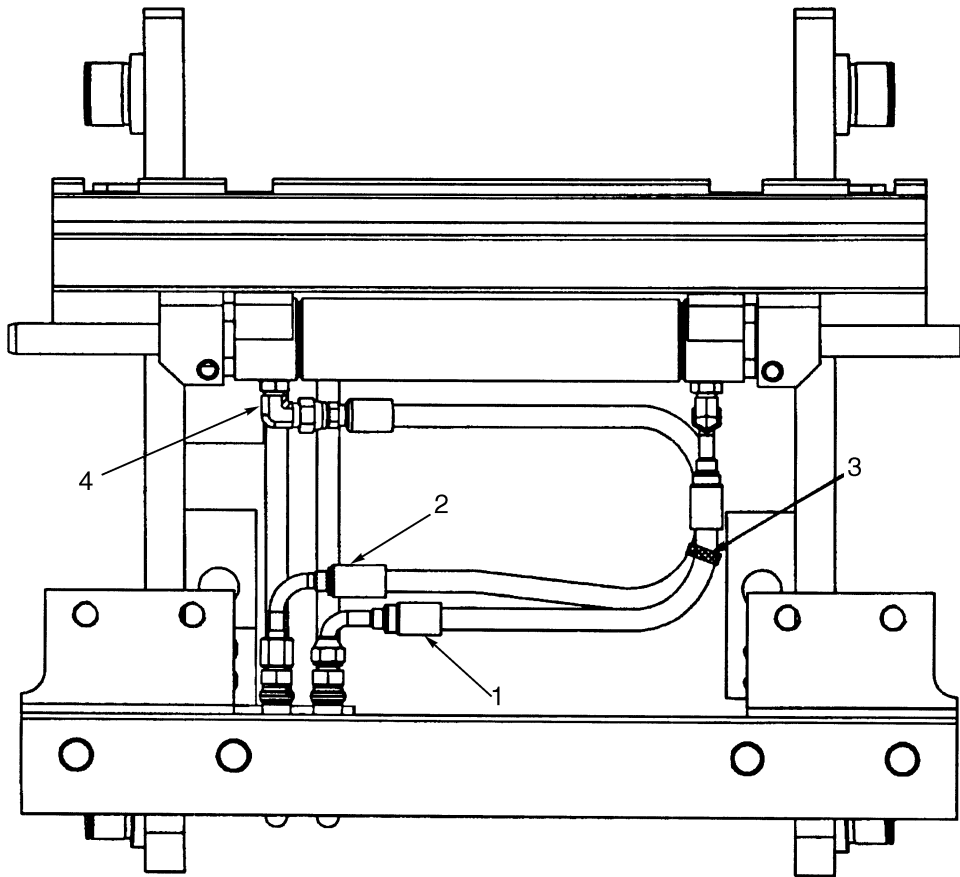
INTEGRAL SIDE-SHIFT CYLINDER (FIGURE 10-9)



HP000536

ITEM	PART NO.	DESCRIPTION	QTY
	2043528	Sideshift Cylinder Assembly	1
1	1489016	Sideshift Cylinder	1
2	1489037	Rod Seal	2
3	1489035	O-Ring	2
4	1498325	Retainer	2
5	1489039	Rod Wiper	2
	1503096	Kit-Seal	1

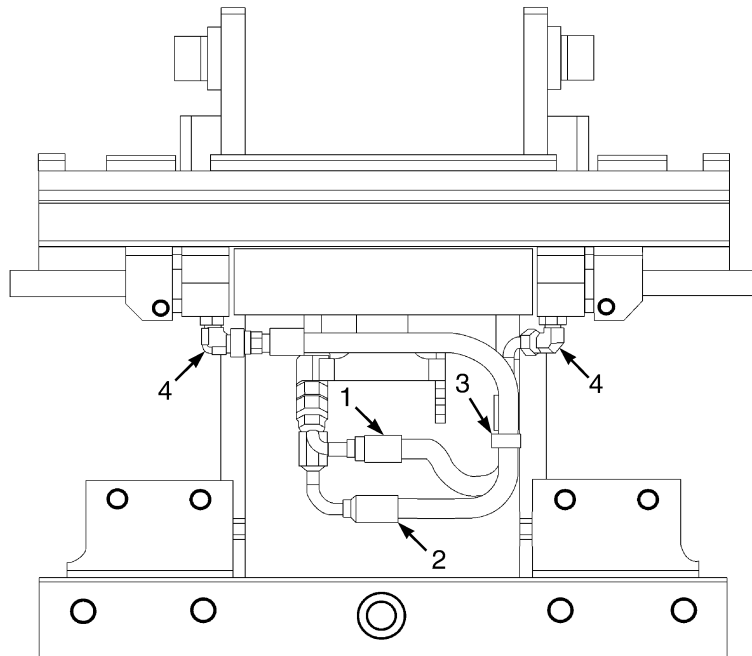
**INTEGRAL SIDE-SHIFT HYDRAULIC HOSES (FIGURE 10-10)
TWO STAGE LIMITED FREE-LIFT**



BP000004

ITEM	PART NO.	DESCRIPTION	QTY
1	1503477	Hose Assy	1
2	1489050	Hose Assy	1
3	114312	Strap Clamp	1
4	16558	Fitting	2
4	16483	O-Ring	1

INTEGRAL SIDE-SHIFT HYDRAULIC HOSES (FIGURE 10-11) TWO AND THREE STAGE FULL FREE-LIFT



BP000278

KEY:

A: Two Stage Full Free-Lift

B: Three Stage Full Free-Lift

ITEM	PART NO.	DESCRIPTION	QTY	
			A	B
1	2065674	Hose Assy	1	..
1	4611608	Hose Assy	1
2	1549706	Hose Assy	1	..
2	4611607	Hose Assy	1
3	114312	Strap Clamp	1	1
4	1487059	Fitting	2	2

**SECTION 11
NUMERICAL INDEX**

PART NO.	PAGE	ITEM	PART NO.	PAGE	ITEM	PART NO.	PAGE	ITEM	PART NO.	PAGE	ITEM
139	1-4	54		1-16	41	15223	6-39	22	16485	4-17	10
	1-8	55	15134	1-21	11		8-9	8		6-3	27
12892	1-3	9		4-7	10		8-19	30		6-11	7
	1-7	6		4-9	22		9-13	12		6-15	7
12921	6-55	7		5-11	31	15236	4-3	29		6-19	15
12949	6-11	22		6-51	32		6-65	16		6-19	19
	6-11	36	15135	6-39	10	15483	6-12	56		6-26	2
	6-12	52	15151	10-5	15		6-16	56		6-61	34
	6-15	22	15154	1-23	5		6-35	11		7-7	9
	6-15	36	15155	1-3	14	15865	6-65	19		7-7	14
	6-16	52		1-7	14	15866	6-7	29		7-7	17
	6-16	68	15156	1-12	36		6-51	25		7-7	18
	6-29	5		1-16	36	15906	1-4			8-9	12
	6-33	7		1-21	13		1-8	56		8-9	13
	6-35	5		4-7	9	15915	6-19	10		8-9	21
	6-37	5		4-9	9	15931	5-17	11		9-7	3
14560	6-3	2		6-51	22	16001	6-65	6		9-7	8
	6-7	8	15162	1-21	7		7-3	10		9-7	10
14591	6-11	5	15163	5-11	41		8-3	10		9-7	11
	6-15	5		5-19	21		9-3	10		9-7	12
	6-26	4	15172	5-11	2	16015	6-65	13	16486	6-7	
14595	6-8			6-19	22	16041	10-13	12		6-7	27
	6-19	21	15175	1-27	10		10-15	12		6-61	26
	6-29	13		1-29	10	16337	6-63			7-7	16
14899	5-7	20	15176	1-12	37	16480	5-7	20		8-9	19
15002	6-25	6		1-16	37		6-11	28	16487	6-61	31
15025	1-4	50	15177	1-3	34		6-15	28	16541	6-3	19
	1-8	49		1-7	35	16481	6-3	9		6-8	44
15039	5-11	42	15178	6-51	3		6-11	5		6-19	21
	5-19	22	15180	5-7	15		6-15	5	16542	6-7	
15049	10-5	16		5-12	44		6-26	4	16551	6-3	27
15054	6-19	12	15200	5-11	3		6-47	3	16558	10-17	4
15055	1-3	30		5-13	6	16483	4-3	20	16560	6-7	20
	1-3	30		6-19	23		6-3	2		6-19	15
	1-7	15	15211	7-7	2		6-3	3	16567	4-3	20
	1-7	15		7-15	11		6-3	33	16693	6-3	3
	6-11	3		8-9	2		6-19	14		6-7	7
	6-15	3		8-17	30		10-17	4	16706	6-11	13
	6-23	10		8-19	25	16484	6-3	7		6-11	27
	6-35	14		8-31	11		6-3	19		6-11	45
15056	1-12	35		9-13	7		6-3	23		6-15	13
	1-16	35		9-19	11		6-3	26		6-15	27
15086	4-9	12		10-13	21		6-11	11		6-15	45
15114	1-23	6		10-15	17		6-15	11		6-16	59
	1-27	9	15212	1-4	53		6-19	18		6-29	11
	1-29	11		1-8	54		6-19	20		6-33	13
15125	1-3	23		4-7	19		6-19	21		6-35	13
	1-7	23		4-9	32		6-29	13		6-37	10
15127	1-12	41		5-11	22		9-13	1	16708	5-17	9

NUMERICAL INDEX (continued)

PART NO.	PAGE	ITEM	PART NO.	PAGE	ITEM	PART NO.	PAGE	ITEM	PART NO.	PAGE	ITEM
16745	6-3	23		6-16	70		9-3	7		4-7	26
	6-7	33		6-26	1		9-5	5		4-9	38
	6-19	20		6-29	1		9-19	4		5-11	13
16815	4-7	8		6-33	1		10-13	15		6-51	10
	4-9	8		6-37	1		10-15	19	136985	1-11	21
16828	6-51	23		6-67	7	129888	2-33	7		1-15	21
16836	1-3	12	58901	7-3	6		2-41	13		3-3	1
	1-7	12		7-5	10	130845	4-17	11		5-7	12
16865	4-9	17		7-15	3		6-7	9		6-7	22
	5-11	12		8-3	6	131358	7-7	26		6-39	20
	5-17	8		8-5	7		7-15	9		6-51	18
16983	6-61	5		8-7	4		8-9	29	137852	4-9	23
	6-61	32		8-31	3		8-31	9		9-21	13
17105	1-12	38		9-3	6		9-7	20		10-5	7
	1-16	38		9-5	4		9-19	9		10-6	8
17196	6-3	7		9-19	3		10-13	19	145639	5-11	30
	6-7	5		10-13	14		10-15	15	148606	2-33	14
17829	5-7	18		10-15	21	131716	7-3	4	148611	2-33	13
18460	6-20	33	61056	6-7	30		8-3	4		2-33	14
18494	1-12	49		6-51	20		8-5	4		2-41	34
	1-16	49	66359	5-7	7		9-3	4		2-41	35
18515	1-3	15		5-11	16	132834	9-9	6		2-41	36
	1-8	53	69029	4-3	30		9-11	6	154687	6-29	15
18697	5-11	39	78459	6-61	32	134680	6-19	18	160266	6-7	24
18832	10-13	10	88436	7-7	1	135619	7-7	1		6-51	16
	10-15	10	88441	7-7	1	135634	8-9	1	161003	7-7	6
19979	6-39	35		8-9	1	136681	2-3	27		8-9	6
26617	6-57		104506	7-3	3		2-17	24	164474	8-9	1
37752	7-5	6		8-3	3		2-19	32	166112	9-13	32
	8-5	12		8-5	5		4-17	8	166659	6-67	8
39348	7-11	8		9-3	3		6-19	5	166857	6-3	34
39362	4-17	6	114312	1-3	4		6-51	14		6-7	3
39374	6-67	4		1-7	4	136687	2-3	17		6-61	21
43209	3-7	27		2-17	1		2-17	14	168054	1-21	8
46698	1-21	12		2-19	1		2-19	14	169874	1-12	48
53162	4-9	16		5-17	12		4-23	1		1-16	48
	5-11	11		5-19	9		6-25	2	170658	1-35	20
	5-17	7		10-17	3		6-39	36	175861	6-39	30
55146	8-21	7		10-18	3		10-5	5	175944	2-53	10
	9-17	7	120938	7-7	10		10-11	14	176640	2-3	1
55407	7-11	11		8-9	11	136692	1-4	47		2-17	17
	7-13	11		9-7	4		1-7	43		2-19	17
	8-13	11	121085	6-7	4		1-11	20		5-19	17
	8-15	11	124645	3-7	22		1-15	20		6-19	8
	9-9	7	127045	6-61	6		5-7	2		6-51	31
	9-11	7	129387	7-3	7		5-19	16		10-3	11
57664	6-11	9		7-5	9		6-20	38		10-9	6
	6-11	24		7-15	4		6-39	17		10-11	16
	6-11	41		8-3	7		6-61	7	177352	8-9	1
	6-15	9		8-5	8		6-61	12	178119	9-13	9
	6-15	24		8-7	5	136704	5-11	21	180074	7-7	1
	6-15	41		8-31	4	136749	3-7	23	182115	5-11	38

NUMERICAL INDEX (continued)

PART NO.	PAGE	ITEM	PART NO.	PAGE	ITEM	PART NO.	PAGE	ITEM	PART NO.	PAGE	ITEM
182376	8-17	27		7-13	5		6-16	51	226458	10-13	7
	8-19	27		7-13	8		6-16	66	227145	2-17	3
	9-13	19		8-13	5		6-29	15		2-19	3
182377	8-17	26		8-13	8		6-35	12	227220	4-17	4
	8-19	26		8-15	5		6-37	12	233141	2-49	4
	9-13	18		8-15	8	205123	6-11	23		2-49	6
183550	5-11	40		8-21	11		6-11	37		2-49	6
185597	8-31	8		8-21	12		6-15	23		2-51	1
	9-19	8		9-17	12		6-15	37		2-51	2
186227	4-17	10	190757	6-7	26		6-16	69		2-53	1
	6-7	11		6-51	24		6-29	4		2-53	2
186304	2-3	14	190811	2-3	15		6-33	6	233693	6-26	2
187388	7-11	7	190887	8-21	16		6-37	9	236901	2-51	9
	7-13	7		9-9	11	206028	2-51	5		2-53	10
	8-13	7		9-11	9		2-53	6	237191	4-20	3
	8-15	7		9-17	16	206150	6-3	26	237193	3-14	3
	8-21	14	197064	5-11	7	213619	6-61	5	237195	3-16	3
	9-17	14	197065	10-5	14	214364	5-19	3	237209	3-16	3
187791	1-3	32	197066	5-19	19		6-3	16	237210	3-17	3
	1-7	31	197067	10-3	2		6-7	34	239503	1-8	52
188227	6-3	24	197068	6-19	11	215212	7-3	5		1-11	1
	6-7	18	197069	6-65	15		8-3	5		1-15	1
188486	6-11	7	198956	2-17	28		8-5	3		2-19	24
	6-15	7		2-19	30		9-3	5		5-11	15
188516	6-11	16	199524	6-11	10	216877	1-11	30		5-19	4
	6-12	48		6-15	10		1-15	30		6-3	12
	6-15	16	201829	8-21	9	218612	6-61	29		6-4	40
	6-16	48		9-17	9	220000	6-19	4		6-7	38
	6-16	62	205120	6-11	14	220003	6-19	3		6-19	17
	6-35	3		6-11	29	220289	10-5	13		6-20	40
	6-37	3		6-15	14	220312	5-19	18		6-51	5
188518	6-11	18		6-15	29	220426	4-9	13		10-3	14
	6-12	54		6-16	60	220428	5-11	6		10-9	9
	6-15	18		6-29	3		5-17	13	239784	6-3	9
	6-16	54		6-33	5	220430	6-19	30		6-7	14
	6-16	64		6-37	8		6-19	30	240931	4-17	12
	6-35	4	205121	6-11	15	220436	6-19	30		6-7	10
	6-37	4		6-11	30	221341	6-20	34	244272	6-61	28
188519	6-11	19		6-12	47	221763	1-3	17	246869	6-61	18
	6-11	34		6-15	15		1-7	17	248196	2-29	3
	6-12	50		6-15	30	221771	1-39	3		2-29	9
	6-15	19		6-16	47	221777	1-21	6		2-29	11
	6-15	34		6-16	61	222492	6-3	33		2-33	1
	6-16	50		6-29	2		6-7	2		2-33	2
	6-16	65		6-33	4		6-19	14		2-37	8
	6-35	6		6-35	2	222523	2-37	9		2-37	36
	6-37	6		6-37	2		2-42	43		2-37	39
188534	6-11	2	205122	6-11	20		2-42	45		2-42	42
	6-15	2		6-11	35		2-42	47		2-42	44
	6-23	11		6-12	51		2-42	49		2-42	46
	6-35	15		6-15	20		2-53	11		2-42	48
190580	7-11	5		6-15	35	222584	6-51	26		2-51	9

NUMERICAL INDEX (continued)

PART NO.	PAGE	ITEM	PART NO.	PAGE	ITEM	PART NO.	PAGE	ITEM	PART NO.	PAGE	ITEM
	2-53	11	292501	4-9	21		6-51	9		1-15	5
	2-62	3		6-39	29		10-3	13	296158	6-39	33
252729	7-7	9		10-5	2		10-9	8	296159	1-12	53
	7-7	14	292502	5-12	45		10-11	18		1-16	
	7-7	17	292504	2-3	16	292682	1-3	27	296161	1-3	1
	7-7	18	292508	4-17	1		1-7	26		1-7	1
	8-9	12	292514	6-65	7		1-11	9		1-12	40
	8-9	13	292515	1-3	28		1-15	9		1-16	40
	8-9	15		1-7	27		3-3	2	296165	1-4	48
	8-9	21	292521	5-19	6		4-3	28		6-48	1
	8-17	25	292527	3-8	39		5-7	3	296166	6-20	43
	9-7	3	292528	3-7	37		5-19	15	296167	1-7	44
	9-7	8	292529	1-11	27		6-7	23		1-12	44
	9-7	10		1-15	27		6-20	37		1-16	44
	9-7	11	292537	1-21	4		6-39	18		6-4	37
	9-7	12	292575	5-11	43		6-51	19	296168	5-11	5
	9-13	1	292576	5-7	11		6-61	8	296172	3-3	19
	9-13	14	292584	1-11	6		6-61	13	296173	1-3	40
257913	7-11	5		1-15	6		6-65	18		1-7	32
	7-13	5	292589	3-7	3	292683	1-11	29	296174	1-3	33
	8-13	5	292654	6-55	29		1-15	29		6-20	35
	8-15	5	292655	1-11	10		3-7	38		6-61	11
	8-21	11		1-15	10		6-65	4		6-61	15
	9-17	11	292665	2-3	8		7-3	13	296205	4-23	9
258590	6-61	10	292667	2-5	6		8-3	13	296215	4-7	14
259645	3-17	3	292668	10-3	6	293614	1-11	11		4-9	27
259647	3-14	3	292670	6-47	2		1-15	11	296227	1-11	3
259648	3-16	3	292676	2-3	7	293646	1-19	4		1-15	3
259810	3-17	1	292678	2-5	5	293647	1-19	6	296239	1-11	7
261157	6-61	20	292680	2-3	18	293651	6-65	3		1-15	8
264007	10-7	2		2-17	12		7-3	12	296360	1-11	14
264134	3-3			2-19	12		8-3	12		1-15	14
	3-7			4-9	19	293684	4-3	16	296415	5-19	
	3-18			6-39	14	293692	3-7	11	296417	6-3	29
	4-18			6-61	3	293762	4-7	34	296418	1-16	55
264159	3-8	40		10-5	4		4-9	47		6-48	2
265787	9-17	11		10-11	13	293778	10-3	5	296423	1-21	5
275672	2-25	3	292681	1-11	2	293779	4-7	33	296426	3-7	12
280154	7-7	16		1-15	2		4-9	46		4-3	2
287816	6-39	12		2-3	26		10-5	19		10-13	8
	6-61	2		2-17	9	293796	10-5	17	296431	3-7	4
287851	2-19	29		2-19	9	293799	1-3	19	297531	7-11	6
287854	1-3	46		3-7	24		1-7	19		7-13	6
	1-7	42		4-7	27	295649	9-9	10		8-13	6
287860	1-11	18		4-9	39		9-11	10		8-15	6
	1-15	18		4-17	7	296010	4-7	24		8-21	13
	3-3	3		5-11	23		4-9	37		9-17	13
	4-3	24		5-19	5	296011	2-17	7	297538	8-21	11
	5-7	4		6-3	13		2-19	7		9-17	11
292500	2-17	13		6-7	37	296014	2-17	19	297649	7-7	5
	2-19	13		6-19	16		2-19	19		8-9	5
	6-39	6		6-48	3	296136	1-11	5	300937	1-21	9

NUMERICAL INDEX (continued)

PART NO.	PAGE	ITEM	PART NO.	PAGE	ITEM	PART NO.	PAGE	ITEM	PART NO.	PAGE	ITEM
	1-39	4	320156	1-3	2		8-13	13	355374	1-3	44
300982	6-65	14		1-7	2		8-15	13		1-7	40
302020	2-21	10		2-3	19	322902	7-11	4		6-51	6
	2-23	4		4-9	20		7-13	4	358069	4-15	5
302026	5-19	10		6-39	13		8-13	16	358072	4-15	4
302036	10-6	2		6-39	37		8-15	16	358073	4-15	10
302040	2-25	8		10-5	3	322990	10-15	3	358076	4-15	9
302146	4-3	17		10-5	18	323090	7-7	22	359819	2-19	23
302233	2-3	5	320157	2-17	8		8-9	25	362034	6-7	
302250	10-3	1		2-19	8		9-7	16	362036	5-17	10
302398	4-23	2		5-11	4	323160	7-7	8	364537	2-3	15
302400	4-7	22		5-19	11		8-9	10	366115	7-15	5
	4-9	35		6-3	15		9-7	2		8-31	5
	5-7	8		6-4	38	324972	6-20	36		9-19	5
302450	1-37	2		6-8	40	325058	6-51	2		10-13	16
302465	8-19	15		6-19	6	325616	1-3	43		10-15	20
302487	10-13	11		6-51	13		1-7	39	367251	1-3	29
	10-15	11		10-3	12	325699	5-17	6		1-7	29
302977	4-3	36		10-9	7	325799	5-19	23	368618	1-3	22
	4-18	5	320158	1-7	45	325804	5-11	27		1-7	22
304526	7-5	7		1-11	15	325809	2-19	22		5-14	2
305326	4-3	38		1-15	15	326003	1-21	10		5-17	2
	4-18	4		2-3	2	326347	1-21	3	369573	1-33	1
310436	5-14	3		2-17	16	330692	7-11	12	369804	6-7	28
	5-17	3		2-19	16		7-13	12		6-51	27
310549	8-17	17		3-11	5		8-13	12	370730	2-51	15
	8-19	11		4-17	2		8-15	12		2-54	17
	9-13	25		5-11	14	338075	2-23	21	373875	4-17	13
313805	1-3	31		5-11	14	339315	6-29	15		6-51	4
	1-7	30		6-51	8	341462	6-11	39	374160	5-11	9
	6-39	7		10-11	17		6-15	39		6-19	28
313828	2-3	4	320159	1-3	45		6-33	3	375984	5-11	32
	4-17	15		1-7	41	345423	4-7	7	378383	2-3	15
	6-51	29		4-3	27		4-9	7	378424	6-11	6
314878	2-23	20		5-7	9	346330	2-51	15		6-15	6
316448	1-35	23		5-19	7		2-54	17	378547	2-27	7
316678	10-5	9		6-39	21	350996	2-23	18	379522	2-27	1
	10-6	5		6-61	9	352055	6-11	38	379524	2-27	4
	10-6	9	320160	1-3	36		6-15	38	379902	2-3	14
	10-7	9		1-7	33		6-33	2	381919	2-53	4
	10-11	8	320161	1-19	7	352885	5-14	4	383789	6-25	
316826	1-3	37	320162	1-11	28	353144	1-12	52	383978	2-25	1
	1-7	36		1-15	28		1-16	52	383979	2-21	4
316828	5-7	16	320289	6-11	31	353569	1-3	24	383984	2-27	5
	5-11	18		6-15	31		1-7	28	384277	6-55	16
316829	3-7	5		6-29	10	353883	6-11	8	384398	2-27	2
316834	10-11	3		6-33	12		6-15	8	385855	6-11	17
317594	4-17	17	320291	6-11	33		6-23	3		6-11	32
	6-20	42		6-15	33		6-26	1		6-12	49
320154	2-5	4	321205	10-15	13	354669	4-15	3		6-15	17
320155	4-7	18	322824	7-11	13	354671	4-15	8		6-15	32
	4-9	31		7-13	13	355327	6-51	30		6-16	49

NUMERICAL INDEX (continued)

PART NO.	PAGE	ITEM	PART NO.	PAGE	ITEM	PART NO.	PAGE	ITEM	PART NO.	PAGE	ITEM
	6-16	63		5-20	5		2-41	30		2-37	5
	6-29	9		10-3	9		2-49	7		2-37	11
	6-33	11	1309280	2-3	22	1330416	2-45	7		2-37	25
	6-35	7	1309419	6-11	6		2-51	7		2-41	18
	6-37	7		6-15	6		2-51	10		2-53	9
387867	5-7	17		6-27	3		2-51	14		2-62	5
389688	1-35	19	1309420	6-12	46		2-53	8		10-7	1
391665	5-11	35		6-16	46		2-53	12	1330437	2-33	12
392238	1-27			6-35	9		2-53	16		2-41	32
	1-29		1309422	6-12	55		2-58	3		2-45	7
615135	8-21	6		6-16	55	1330417	2-33	12		2-49	7
	9-17	6		6-35	10		2-41	31		2-51	7
638250	8-21	8	1309875	6-11	44		2-49	7		2-51	10
	9-17	8		6-15	44	1330419	2-33	7		2-51	14
806221	4-19	3		6-35	8		2-33	9		2-53	8
806222	3-14	1	1309877	4-15	6		2-37	13		2-53	12
806223	3-15	1	1310142	2-49	1		2-37	16		2-54	16
806973	4-19	1		2-49	3		2-41	14		2-54	16
815597	5-19		1310143	2-49	2		2-41	20		2-58	3
878834	5-7	22		2-60	4	1330420	2-29	1	1330438	2-29	1
878959	10-3	7		5-20	4		2-29	5		2-29	2
	10-9	3	1310369	9-9	3		2-29	13		2-29	4
893834	9-21	17		9-11	3		2-33	8		2-29	5
893955	2-5	1	1319668	7-11	9		2-33	9		2-29	13
893956	2-5	1		7-13	9		2-37	1		2-33	7
893957	2-5			8-13	9		2-37	19		2-37	3
893958	2-5			8-15	9		2-38	43		2-37	6
893959	2-5	1	1321928	6-7	27	1330421	2-29	2		2-37	12
893960	2-5	1	1324029	5-9	2		2-29	4		2-37	15
893961	2-5		1324035	5-9	9		2-33	8		2-37	21
893962	2-5		1324040	5-9	6		2-37	4		2-37	26
895468	4-7	35	1324041	5-9	7		2-37	10		2-38	45
915474	5-19	24	1324042	5-9	8		2-37	24		2-41	16
1302024	10-3	4	1324048	5-9	4		2-41	6		2-41	19
1302258	10-7	3	1324577	1-11	22		2-41	17		2-41	22
1306270	2-29	6		1-15	22		2-53	9		2-41	25
	2-37	18	1326939	1-12	32		2-62	4		2-53	9
	2-37	23		1-16	32		10-7	1		2-57	3
	2-49	1	1327021	1-36	1	1330424	2-33	7		2-57	4
	2-49	3	1327022	1-36	1		2-33	9		2-57	6
	2-58	1	1327023	1-36	1		2-37	14		2-57	7
	2-58	2	1328205	1-35	6		2-37	17		2-57	8
	2-60	5	1330411	2-45	7		2-41	15		2-57	10
	2-62	2		2-51	7		2-41	21		2-57	11
	5-20	3		2-51	10		2-41	24		2-57	12
	10-3	8		2-51	14	1330426	2-29	1		2-62	1
1306271	2-29	6		2-53	8		2-29	5		10-7	1
	2-33	11		2-53	12		2-37	2	1330439	2-33	12
	2-37	22		2-53	16		2-37	20		2-37	27
	2-51	13		2-58	3	1330427	2-29	2		2-41	33
	2-53	15	1330412	2-33	12		2-29	4		2-49	7
	2-60	3		2-41	29		2-33	8		2-51	14

NUMERICAL INDEX (continued)

PART NO.	PAGE	ITEM	PART NO.	PAGE	ITEM	PART NO.	PAGE	ITEM	PART NO.	PAGE	ITEM
	2-53	9	1339832	1-35	9	1343593	4-23	3	1348453	7-5	1
1330938	2-23	2	1340364	6-39	31	1343594	4-23	6	1348455	7-5	1
	2-27		1340366	6-39	8	1343595	4-9	14	1348458	7-5	1
1330998	5-13	3	1340422	6-39	34	1343597	4-7	31	1350914	6-51	7
1330999	5-13	4	1340470	5-17	4		4-9	44	1351070	2-29	12
1331002	5-13	2	1340493	5-11	17	1343598	4-23	11		2-38	40
1331005	5-13		1340504	6-19	31	1343607	4-7	20	1351076	2-38	41
1331233	2-49	4	1340652	6-39	5		4-9	33		2-41	23
	2-49	5	1340653	6-39	4	1343630	5-7	5	1351150	6-51	11
	2-49	6	1340654	6-39	3	1343989	8-17	3	1351682	2-3	11
	2-49	6	1340655	6-39	32		8-19	4	1352564	2-29	10
1333043	1-36	1	1340685	5-11	34	1345190	7-17	18		2-37	38
1333044	1-36	1	1340687	5-11	20		8-23	2		2-45	1
1333045	1-36	1		8-17	28		8-27	11		2-45	2
1333382	7-7	25		8-19	28		8-33	11		2-45	3
	8-9	28		8-31	10		9-21	18		2-45	4
	9-7	19		9-13	6	1345216	7-3	2		2-45	5
1333392	8-9	18		9-19	10		7-5	2		2-45	6
1333399	7-3	8		10-15	14		7-15	2		2-60	1
	7-5	8	1340702	6-39	16		8-3	2		2-60	2
	7-15	6	1340703	6-19	24		8-5	2	1353006	8-5	1
	8-3	8	1340745	6-20	31		8-7	2	1353008	8-5	1
	8-5	6	1340796	2-3	13		8-31	2	1353009	8-5	1
	8-7	3		2-58			9-3	2	1353013	8-5	1
	9-3	8	1340866	1-3	39		9-5	2	1353321	7-15	1
	9-5	3		1-8	47		9-19	2	1353326	7-15	
	9-19	6	1340867	1-3	16		10-15	2	1353408	7-15	8
	10-13	13		1-7	16	1345348	7-17	3		10-13	18
	10-15	18	1340869	6-19	25	1345412	7-17	5	1353521	8-24	32
1333572	5-13	5	1340975	5-17	1	1345413	7-17	5		8-24	39
1335138	1-35	21	1340976	5-14	1	1345423	9-21	27	1353533	1-39	2
1335164	1-35	1	1340979	5-7	14	1345908	2-27		1354140	1-23	1
1335546	6-47	3	1340985	5-19	13	1345909	2-27	3		1-25	8
1335547	6-47	5	1340988	5-14		1345915	2-27	8	1354300	4-23	8
1335614	2-27	6		5-19	1	1345956	2-27		1354323	1-12	51
1335615	2-27	3	1340989	5-19	2	1347004	4-9	11		1-16	51
1335620	2-27	6	1340998	5-7	13		4-23			5-12	47
1335967	4-7	28	1342699	1-35	8	1347048	5-7	1	1354901	8-17	3
	4-9	40	1343276	1-35	2		5-9			8-19	4
1335987	4-7	25	1343452	6-19	19	1347088	1-3	29	1354915	7-7	24
	4-9	41		6-61	34		1-7	29		8-9	27
1337017	5-11	26	1343537	4-7	17	1348185	6-65	9		9-7	18
1337087	1-19	5		4-9	30		7-3	9	1354916	7-7	24
1337196	4-7	13	1343572	4-7	16		8-3	9		8-9	27
	4-9	26		4-9	29		9-3	9		9-7	18
1337197	2-3	14	1343573	4-7	29	1348187	6-65	10	1354917	7-7	24
1339636	6-39	2		4-9	42	1348246	8-23	26		8-9	27
1339667	1-35	14	1343574	4-7	15		8-27	25		9-7	18
1339672	1-35	22		4-9	28		8-33	25	1354990	5-19	8
1339674	1-35	12	1343577	4-23	5	1348247	8-23	23	1355305	5-9	
1339799	6-39	2	1343578	4-23	7		8-27	25	1355335	4-13	1
1339828	1-35	15	1343579	4-23	10		8-33	25	1355610	8-13	4

NUMERICAL INDEX (continued)

PART NO.	PAGE	ITEM	PART NO.	PAGE	ITEM	PART NO.	PAGE	ITEM	PART NO.	PAGE	ITEM
	8-15	4	1360548	7-17	15	1362732	8-15	1	1364399	1-12	57
1356113	1-11	19	1360549	7-17	17	1362745	8-13		1364537	1-3	26
	1-15	19		8-23	1	1362746	8-13	2		1-7	25
	4-17	16		8-27	10		8-15	2	1364538	1-3	20
	6-20	41		8-33	10	1362749	8-15			1-7	20
	6-61	14		9-21	19	1362756	8-15	1	1364541	10-5	1
1356209	2-23	16	1361142	6-3	14	1362871	7-11	14		10-7	1
1356211	2-23	1		6-7	35		7-13	14	1364542	10-6	4
1356217	2-23	19	1361302	8-21	15		8-13	14		10-7	11
1356377	1-11	25		9-17	15		8-15	14	1364588	10-3	8
	1-15	25	1361336	7-11		1362875	8-13	15	1364633	2-3	9
1356749	7-11	10	1361337	7-11	1		8-15	15	1364729	1-3	13
	7-13	10	1361338	7-11	2		9-9	9		1-7	13
	8-13	10		7-13	2	1362880	8-21	5	1365140	8-9	7
	8-15	10	1361340	7-13			9-17	5	1365607	9-9	1
1357196	5-9	10	1361341	7-13	1	1362881	8-21	10		9-11	1
1357197	5-9	1	1361348	7-11			9-17	10	1365637	9-11	2
1357199	5-9	3	1361349	7-11	1	1362922	8-21	1	1365666	9-9	2
1357201	5-9	5	1361350	7-11	2	1362924	8-21	1	1366057	8-13	1
1357263	2-3	15		7-13	2		9-17	1	1367169	4-4	1
1357361	6-11	25	1361352	7-13		1362925	8-21	1	1367171	4-4	3
	6-11	42	1361353	7-13	1	1362930	8-21	1	1367645	10-3	10
	6-12	57	1361366	7-11		1363011	10-11	1		10-9	5
	6-15	25	1361367	7-11	1	1363251	8-10	32		10-11	9
	6-15	42	1361368	7-11	2	1363253	8-23	22	1367822	6-3	28
	6-16	57		7-13	2		8-27	24	1367855	5-3	16
	6-16	71	1361370	7-13			8-33	24	1367870	5-3	29
	6-35	12	1361371	7-13	1	1363260	6-65	1	1367871	5-3	30
	6-37	12	1362049	1-25	1	1363261	6-65	2	1367876	5-4	
1358970	8-21	4	1362058	1-25	12	1363268	6-65	21	1369345	7-15	7
	9-17	4	1362184	6-39	1	1363269	6-65	21		10-13	17
1359588	1-35	4	1362273	6-19	1	1363272	8-31	6	1369357	7-7	4
1359620	6-3	11	1362274	6-20	32		10-15	18		8-9	4
	6-7	36	1362277	6-19	9	1363916	1-19	2	1370722	6-65	12
1360139	8-13		1362279	6-19	2	1363917	1-19	3		7-3	11
	8-15		1362702	8-13		1364096	1-3	38		8-3	11
1360140	7-11		1362703	8-13	1		1-8	48		9-3	11
	7-13		1362704	8-13	2	1364243	1-3	18	1370728	6-39	28
1360141	8-21			8-15	2		1-7	18	1371287	6-65	8
	9-17		1362706	8-15		1364262	2-17	25	1371526	6-65	13
1360386	7-17	8	1362713	8-15	1		2-19	33	1371653	7-11	3
	8-23	19	1362715	8-13		1364264	10-7	10		7-13	3
	8-27	4	1362716	8-13	1	1364265	10-7	8		8-13	3
	8-33	4	1362717	8-13	2	1364270	2-17	26		8-15	3
	9-21	9		8-15	2		2-19	34	1371656	3-7	31
1360507	8-23	16	1362719	8-15		1364271	4-7	21	1371741	6-59	2
	8-33	33	1362721	8-13			4-9	34	1371746	6-59	
	9-21	3	1362722	8-13	1	1364272	6-20	46	1373909	1-35	3
1360508	9-21	28	1362723	8-13	2	1364274	6-3	35	1374135	6-11	12
1360534	8-17	4		8-15	2		6-7	32		6-15	12
	8-19	5	1362725	8-15		1364280	6-61	17	1374136	6-11	26
1360547	9-21	20	1362726	8-15	1	1364395	1-12	56		6-15	26

NUMERICAL INDEX (continued)

PART NO.	PAGE	ITEM	PART NO.	PAGE	ITEM	PART NO.	PAGE	ITEM	PART NO.	PAGE	ITEM
1374138	6-11	43	1378793	1-37	1	1383179	5-11	25	1455774	4-13	11
	6-15	43	1378794	1-37	1	1383180	5-11	10	1455775	4-13	12
	6-23	9	1378796	1-37	1	1383192	5-11	29	1455777	4-13	14
	6-23	9	1378900	1-3	11		5-13	1	1459112	1-23	3
	6-35	1		1-7	11	1383680	1-3	35		1-25	7
1374141	6-11	1	1378902	1-3	10		1-7	34	1461643	4-18	2
	6-35	16		1-7	10	1383681	10-5	20	1461719	6-15	1
1374142	6-11	4	1378975	1-3	7	1385099	1-35	17		6-35	16
	6-35	17		1-7	8	1385535	6-61	23	1461844	3-18	2
1374144	6-12		1379443	1-35	13	1385758	1-4	49	1462463	5-11	36
1374145	6-16	58	1379685	7-5	3		1-7	46	1462535	5-12	46
	6-23	8		8-5	9	1385761	1-4	51	1462909	5-12	49
	6-37	1	1379687	7-7	12		1-8	50	1463105	8-21	3
1374147	6-16			9-7	6	1388309	6-20	39		9-17	3
1374148	6-15	4	1379808	1-35	7	1389329	5-7	6	1463138	2-59	1
	6-35	17	1380550	2-49		1389330	5-7	6	1463139	2-29	7
1374190	1-25	11	1381082	9-9	4	1389590	1-11	24		2-29	8
1374797	8-31	3		9-11	4		1-15	24		2-37	30
1374802	9-9	8	1381094	6-67	9	1390182	1-19	8		2-37	34
	9-11	8	1381550	6-65	20	1391205	4-7	5		2-41	28
1374878	6-59		1381598	8-24	35		4-9	5		2-57	1
1375036	5-13	7		8-27	17	1393132	10-15	18		2-59	2
1376425	6-59	8		8-33	17	1393142	8-31	6	1463140	2-61	1
1376426	6-59	9	1381599	8-24	35		10-15	18	1465140	6-57	1
1376427	6-59			8-27	3	1395169	10-15	18	1466656	10-11	10
1376439	10-7	4		8-33	3	1395174	8-31	6	1467430	4-13	
1376440	10-7	5	1381605	7-5	1		10-15	18	1467514	1-27	2
1376441	10-7	6	1381641	8-24	37	1395175	10-15	18		1-29	2
1376446	10-7	7		8-27	8	1395176	8-31	6	1467515	1-27	2
1376812	1-12	55		8-33	8		10-15	18		1-29	2
1377379	2-3	6	1381642	8-24	37	1398007	5-7	10	1467523	1-27	
1377414	5-17			8-27	31	1401746	10-13	9		1-29	
	5-19	1		8-33	31		10-15	9	1467524	1-27	
1377661	5-11	19	1381918	1-12	59	1450092	6-39	28		1-29	
1377670	1-3	8	1381919	1-12	61	1450503	4-7	2	1467525	1-27	
	1-7	7	1382130	10-3	3		4-9	2		1-29	
1378600	4-7	23	1382302	2-49		1451697	4-13	3	1467526	1-27	
	4-9	36	1382303	2-49		1451698	4-13	5		1-29	
1378698	7-5	4	1382308	2-49	4	1451703	4-13	8	1467527	1-29	
	8-5	10		2-49	5	1452459	4-15	1	1467529	1-27	
1378699	7-5	5		2-51	1	1453181	4-7	32		1-29	
	8-5	11		2-51	2		4-9	45	1468398	6-19	7
	8-17	7		2-53	1		4-13		1468404	6-39	19
	8-19	3		2-53	2		6-3	1	1468405	1-3	42
	9-13	22	1382311	1-12	47	1453260	6-51	15		1-7	38
1378760	1-37	5		1-16	47	1453337	6-55	11	1468406	6-19	7
1378762	1-37	4	1382312	1-12	46	1453882	1-25	3	1468408	6-39	19
1378763	1-37	3		1-16	46	1453883	1-25	4	1468471	5-20	1
1378765	1-37		1382313	1-12	45	1454122	2-25		1470152	1-27	1
1378776	1-37	1		1-16	45	1454478	2-21	8		1-29	1
1378777	1-37	1	1383061	6-67	11	1455770	4-13	4	1470153	1-27	1
1378779	1-37	1	1383178	5-11	28	1455771	4-13	6		1-29	1

NUMERICAL INDEX (continued)

PART NO.	PAGE	ITEM	PART NO.	PAGE	ITEM	PART NO.	PAGE	ITEM	PART NO.	PAGE	ITEM
1470155	1-27	8		8-9	16		2-57	11	1502111	6-55	12
	1-29	9		9-7	10		2-57	12	1502113	6-55	30
1470163	1-27		1481765	8-23	28	1491830	4-23	4	1502114	6-55	10
	1-29	6	1481766	8-23	29	1494017	7-17	16	1502115	6-55	11
1470687	5-11	40	1481806	8-7	1		8-24	38	1503096	10-16	
1471800	6-55	17	1481808	8-7	1		8-27	6	1503378	6-39	9
1473898	8-9	19	1481809	8-7	1		8-33	6	1503379	6-39	26
1475249	5-20	2	1481813	8-7	1		8-33	9	1503477	10-17	1
1475250	5-17	5	1482240	7-17	1		9-21	23	1504010	7-15	7
	5-20		1482243	7-17	1	1494076	1-27	2		10-13	17
1476421	10-11	5	1482245	7-17	1		1-29	2	1504125	4-7	4
1477079	5-11	33	1482248	7-17	1	1494077	1-27	2		4-9	4
1477996	7-17	6	1484361	2-57	3		1-29	2	1507425	6-55	8
	8-23	12		2-57	4	1494610	6-55	27	1507426	6-55	1
	8-27	2		2-57	6	1494611	6-55	28	1507427	6-55	5
	8-33	2		2-57	7	1494719	6-67		1507428	6-55	14
	9-21	8		2-57	8	1495699	2-25	6	1507429	6-55	14
1481009	8-17	18		2-57	10	1498115	9-9		1507430	6-55	15
	9-13	24		2-57	11		9-11		1507461	6-55	2
1481052	8-17	16		2-57	12	1498116	9-9	5	1507462	6-55	30
	9-13	21	1484377	2-29	7		9-11	5	1507463	6-55	9
1481053	9-13	22		2-29	8	1498185	2-29	10	1508206	2-33	6
1481054	8-17	7		2-37	31		2-37	37		2-41	4
	8-19	3		2-37	35		2-45	1		2-41	10
	9-13	22		2-38	47		2-45	2	1508211	2-33	3
1481055	8-17	11		2-59	1		2-45	3		2-33	5
	9-13	30		2-59	2		2-45	4		2-41	1
1481229	7-17	7	1486172	10-13			2-45	5		2-41	7
	8-23	13	1486773	7-7	17		2-45	6	1508212	2-34	16
	8-27	1		8-9	15		2-60	1		2-41	37
	8-33	1		9-7	11		2-60	2	1508232	2-33	3
	9-21	7	1487059	10-18	4	1498325	10-16	4		2-33	4
1481230	8-17	14	1487067	7-7	18	1498326	10-13	22		2-33	4
	9-13	5		8-9	21		10-15	6		2-33	5
1481248	8-24	39		9-7	12	1498406	4-9	15		2-33	6
1481249	8-24	32	1488992	10-13	1	1498407	5-11	8		2-41	3
1481252	8-23	7	1489016	10-16	1	1500288	2-21	5		2-41	9
	8-24	33	1489035	10-16	3	1500782	1-36	4		2-41	12
	8-24	33	1489037	10-16	2	1502090	6-55	1	1508233	2-41	2
1481253	8-23	7	1489039	10-16	5	1502092	6-55	6		2-41	5
1481255	8-23	6	1489050	10-17	2	1502094	6-55	3		2-41	8
1481258	8-31	7	1489696	1-27	5	1502095	6-55	4		2-41	11
	9-19	7		1-29	5		6-55	13	1508240	2-34	16
	10-15	16	1489972	8-17	19	1502097	6-55	22		2-42	40
1481344	7-7	9		8-19	19	1502098	6-55	18	1509882	6-39	11
	8-9	12		9-13	11	1502099	6-55	19	1509890	2-57	2
	9-7	3	1490243	2-57	3	1502100	6-55	20	1510058	6-51	
1481345	9-13	1		2-57	4	1502101	6-55	21		6-59	
1481346	8-17	25		2-57	6	1502102	6-55	23	1510115	6-61	24
	8-19	23		2-57	7	1502104	6-55	25	1514074	2-17	21
	9-13	14		2-57	8	1502105	6-55	24	1514076	2-19	20
1481348	7-7	16		2-57	10	1502108	6-55	26	1514429	2-5	12

NUMERICAL INDEX (continued)

PART NO.	PAGE	ITEM	PART NO.	PAGE	ITEM	PART NO.	PAGE	ITEM	PART NO.	PAGE	ITEM
	2-6	5	1531563	4-7	1	1549682	8-31	1	1553449	2-3	20
	10-6	11		4-9	1	1549683	9-19	1	1553672	1-12	31
1514866	7-7	3	1532650	7-7	14	1549692	8-31			1-16	31
	7-15	10		8-9	13	1549693	9-19		1553737	1-11	31
	8-9	3		9-7	8	1549706	10-18	2		1-15	31
	10-13	20	1532664	2-29	13	1549968	9-21	1	1553738	1-11	31
1516799	6-39	27		2-38	44	1549998	9-21	2		1-15	31
1516800	6-39	27	1532761	6-4	39	1550020	8-23	4	1553739	1-11	31
1516801	6-39	27	1532765	2-25	5	1550078	9-5	1		1-15	31
1516977	1-12	62	1532774	2-57	9	1550126	8-17	2	1553908	1-11	26
	1-16	56	1532775	2-57	5		8-19	2		1-15	26
1517905	6-43	11	1532776	2-57	13	1550128	8-17	2	1553909	1-11	26
	6-43	18	1533592	2-17	20		8-19	2		1-15	26
1518987	10-11	4	1534660	1-35			9-13	23	1553910	1-11	26
1520452	5-19		1535303	2-17	10	1550132	8-19	2		1-15	26
1520453	5-19			2-19	10	1550136	8-17	2	1554510	2-17	23
1520609	4-7	12	1537132	2-17	5		8-19	2	1554873	10-9	1
	4-9	25		2-19	5	1550646	2-5	7		10-11	2
1520933	2-17	27	1539363	4-7	6	1550647	2-5	3	1554874	10-11	1
	2-19	28		4-9	6	1550699	1-21	2	1554877	2-51	4
	2-54	19	1539638	3-18	1	1550700	1-11	26		2-53	5
1523732	1-36	2	1540667	2-17	6		1-15	26	1554879	2-51	4
1523733	1-36	3		2-19	6	1550701	1-11	26		2-53	5
1523734	1-36	5	1540668	2-19	21		1-15	26	1555680	10-6	3
1523735	1-36			2-21		1550702	1-12	31	1555731	2-6	1
1524195	6-43	6	1541988	2-59	1		1-16	31		2-11	
1525567	2-29	7	1541989	2-59	1	1550703	1-12	31		2-11	
	2-37	28	1541991	2-29	8		1-16	31		2-11	
1525568	2-57	1		2-37	32	1551538	1-11	26	1555881	3-11	4
1525718	1-12	62		2-59	2		1-15	26		6-53	17
	1-16	56	1541992	2-29	8	1551686	1-12	43	1555891	3-11	12
1525827	10-5	10		2-37	33		1-16	43		6-53	7
1525920	2-33	11		2-59	2	1551787	1-19	1	1555892	3-11	
	2-59	3	1542433	2-17	29	1551788	1-19	1		6-53	25
1525921	2-23	8		2-19	31	1551839	4-7	1	1555894	3-11	1
1527876	10-6	10		2-23			4-9	1		6-53	27
1527877	10-11	12	1543935	4-17	3	1552107	2-5	9	1555902	3-13	6
1528967	2-25		1544196	1-3	6	1553414	2-23	10		6-53	5
1528991	2-23	9		1-7	9		2-25		1555903	3-13	8
1528992	2-23	3	1545111	2-21	9	1553416	2-23	11		6-53	28
1529015	8-23	31		2-23	5	1553417	2-23	14	1555907	6-53	13
	8-27	27	1546307	1-3	21	1553427	2-25	7	1555908	3-13	7
	8-33	27		1-7	21	1553428	2-25			6-53	29
	9-21	26	1546460	1-21	10	1553429	2-25	2	1556324	10-6	1
1529046	2-29	7	1546689	1-29		1553441	2-21	1	1556484	2-17	4
	2-37	29	1547590	6-23	2	1553442	2-3	25		2-19	4
	2-57	1		6-26	3	1553443	2-3	23	1556487	10-5	12
1530960	2-61	1		6-27	1	1553444	2-3	24	1556488	1-3	25
1530961	2-61	1	1547837	2-3	15	1553445	2-3	30		1-7	24
1531001	6-61	4	1547838	10-11	1	1553446	2-3	31	1556669	1-3	25
1531210	5-11	1	1547839	10-11	1	1553447	2-3	32		1-7	24
1531211	5-12	48	1547847	2-3	28	1553448	2-3	21	1557119	2-3	15

NUMERICAL INDEX (continued)

PART NO.	PAGE	ITEM	PART NO.	PAGE	ITEM	PART NO.	PAGE	ITEM	PART NO.	PAGE	ITEM
1557145	10-5	8		8-27	30	1581849	7-7	20		1-27	3
	10-6	7		9-21	21		8-9	23	1592658	5-19	14
1557146	10-3	15	1581565	8-27	14		8-17	12	1593346	6-19	29
	10-9	4	1581566	7-7	15		8-17	22	1593347	6-19	26
1561212	1-35	11		7-17	4		8-19	17	1593694	3-5	4
1563211	1-25			8-9	17		8-23	8	1593763	3-5	5
	1-27			8-19	14		8-27	7	1593917	5-3	
	1-29	7		8-23	27		8-33	7	1593918	5-3	
1563222	1-23	1		8-27	18		9-7	14	1593919	5-3	15
1563227	1-25	10		8-33	18		9-13	17	1596404	8-17	20
1563230	1-27	4		9-7	9	1581851	9-13	10		8-19	20
	1-29	4		9-21	25	1581852	7-7	21		9-13	13
1563231	1-27	4	1581567	8-23	25		8-9	24	1596406	8-17	8
1563351	1-23	1		8-27	26		8-17	21		8-19	8
1563368	2-17	22		8-33	26		8-19	18		9-13	29
	2-19	25	1581580	8-9	30		9-7	15	1596407	8-17	9
1563591	9-9	5	1581581	9-21	24		9-13	16		8-19	9
	9-11	5	1581582	7-17	2	1581853	8-27	5		9-13	28
1565025	6-55	8		8-23	30		8-28	32	1596408	8-17	10
1565068	3-11		1581583	7-7	11		8-33	30		8-19	10
1565325	3-5	3		8-9	20	1581854	10-15	23		9-13	27
1565667	3-13	12		9-7	5	1581883	5-11	16	1596420	9-13	2
1565668	3-13	10	1581591	8-17	13	1582160	6-61	25	1596421	9-13	8
1565693	2-17	2		9-13	31	1582161	6-61	26	1597448	8-27	28
	2-19	2	1581592	8-23	10	1582354	5-11	16		8-33	28
1566680	1-21	1	1581741	8-33	15	1583835	6-12	58	1597560	8-24	40
1566681	1-21	1		9-21	15		6-23	1	1597565	8-23	21
1569102	10-11	15	1581828	8-27	20		6-29	12		8-27	22
1569995	2-61	2		8-33	20		6-30	1		8-33	22
1573121	4-9	10	1581829	7-7	23	1584051	1-25	6	1598221	2-6	2
1573676	9-13	15		8-9	26	1584116	1-25	6		2-9	
1573677	8-17	24		8-17	6	1584631	1-27	6		2-9	
	8-19	22		8-19	7		1-27			2-11	
1574120	1-35	10		9-7	17		1-29	6		2-13	
1578672	6-57	9	1581830	7-17	13	1586109	4-7	1		2-13	
1579847	2-5	13		8-23	3		4-10	48		2-15	1
	2-6	4		8-27	12	1586786	2-17	18		2-15	1
1580129	5-19	12		8-33	12		2-19	18	1598222	2-9	
1580131	6-12	58		9-21	22	1589499	6-61	1		2-9	
	6-30	2	1581833	10-15	24		6-63		1598223	2-6	2
1580889	2-19	26	1581834	8-27	15	1590104	1-7	3		2-9	
1581558	8-23	24	1581836	7-17	12	1591181	2-6	2		2-9	
	8-27	23		8-24	36		2-9	3		2-11	
	8-33	23		8-27	16		2-11	2		2-11	
1581559	8-24	34		8-33	16		2-13	3		2-13	
1581560	8-23	11	1581841	8-23	18		2-15	2		2-13	
1581562	8-17	15	1581842	7-17	9	1591185	2-9			2-13	
	9-13	4		8-23	20		2-11			2-15	
1581564	7-17	14		8-27	13	1591553	1-27	2		2-15	
	8-17	5		8-33	13		1-29	2		2-15	1
	8-19	6		9-21	10	1591652	1-23	4		2-15	1
	8-23	9	1581843	9-21	11		1-25	9	1598224	2-9	6

NUMERICAL INDEX (continued)

PART NO.	PAGE	ITEM	PART NO.	PAGE	ITEM	PART NO.	PAGE	ITEM	PART NO.	PAGE	ITEM
	2-13			6-45	5	1632493	1-12	62	1669035	6-29	8
	2-13	6	1612112	6-43	2		1-16	56	1669036	6-29	7
1598283	2-5	2		6-45		1632494	1-12	62		6-33	9
1598303	8-23	5	1612113	6-43	4		1-16	56	1669334	6-27	2
	8-33	5		6-45	3	1634467	6-43	3	1669335	6-23	6
1598504	1-23	2	1612119	6-47	4	1635431	6-39	25		6-29	6
	1-25	5	1612120	6-47	1	1635587	6-43	14		6-33	8
	1-27	7	1612376	6-8	42	1635588	6-43	19	1669336	6-23	7
	1-29	8	1612377	6-8	43	1636120	1-23	2	1669370	6-23	4
1598536	3-5	7	1612378	6-8	41		1-25	5		6-29	1
1600092	2-21		1612379	6-7	39		1-27	7	1669380	6-26	5
1600126	1-27		1614069	6-61	22		1-29	8		6-29	14
	1-29	6	1614935	6-43	17	1636549	5-7	19		6-33	14
1601245	1-4	52	1614936	6-43	1	1637285	1-27	2		6-35	12
1601262	1-4	52		6-45	6		1-29	2		6-37	11
1603499	3-18	1	1614939	6-43	12	1641799	6-39	24		6-37	12
1605676	8-17	29	1614940	6-43	8	1641883	6-25	4	1669381	6-11	44
	8-19	24	1614944	6-43	17	1641884	6-25	5		6-15	44
	9-13	20	1614945	6-43	7	1641885	6-20	36		6-35	8
1605688	9-21	14		6-43	14	1643405	8-27	29	1669382	6-23	5
1605996	1-7	37		6-43	19		8-33	29		6-33	1
1606744	6-3	21	1614946	6-43	13		9-22	29	1670767	3-11	14
1606745	6-3	20	1614947	6-43	9	1643630	2-17	11	1673704	10-3	3
1606746	6-3	18	1615121	1-8	51		2-19	11	1673755	10-3	3
1606747	6-3	17	1615252	1-16	54	1647532	1-25		1683379	2-13	
1606855	9-21	4	1615253	1-16	53		1-27			2-13	
1608051	7-3	1	1615777	6-40	3		1-29			2-15	1
1608054	7-3	1	1615778	6-40	4	1648202	3-11			2-15	1
1608056	7-3	1	1615779	6-40	5		6-53		1683398	2-13	
1608057	8-3	1	1615847	3-15		1649520	6-43	10		2-15	1
1608059	7-3	1	1615941	3-17		1649524	1-25	2	1684395	1-29	
	8-3	1	1616161	4-19		1649525	1-25	2	1689455	2-13	
	9-3	1	1616164	4-19		1652290	10-3	3		2-13	
1608060	8-3	1	1616384	2-61	3	1654891	1-25	9		2-15	
1608065	8-3	1	1616386	2-61	3		1-27	3		2-15	1
1608890	1-3	41	1616388	2-61	3		1-29	3	1689460	2-13	
1609098	1-3	3	1616390	2-61	3	1655302	4-20	3		2-15	1
1609622	6-39	15	1617658	9-22	30	1655303	4-19		1693455	10-15	1
1609624	6-39	23	1618482	6-43	16	1657835	6-51		1693459	8-31	1
1610914	8-23	17	1618982	6-55	8		6-53		1693465	9-19	1
	8-33	32	1619744	9-21	12	1658063	2-9	4	1701394	6-43	2
	9-21	16	1622213	6-57	6		2-11	4		6-43	19
1610916	6-51	12	1622214	6-57	11		2-13	4	2004005	2-3	12
1610939	7-17	11	1622215	6-57	7		2-15	4	2007554	2-29	3
1611582	6-63	4	1622216	6-57	12	1660759	6-25	3		2-37	7
1611583	6-63	1	1622217	6-57	8	1662409	10-9	1		2-51	6
1611586	6-63		1622946	8-21	4	1663435	1-39	1		2-53	7
1612106	6-47			9-17	4	1665174	1-4	49	2013099	8-21	3
1612107	6-47		1627418	5-11	37		1-8	46		9-17	3
1612108	6-47	5	1627639	1-27		1666467	1-12	54	2021286	3-3	20
1612110	6-45	4		1-29		1666468	1-12	54		3-7	29
1612111	6-43	15	1628739	5-19	20	1669029	6-33	10	2021287	3-7	32

NUMERICAL INDEX (continued)

PART NO.	PAGE	ITEM	PART NO.	PAGE	ITEM	PART NO.	PAGE	ITEM	PART NO.	PAGE	ITEM
2021288	3-3	12	2023591	4-19	1	2023752	4-3	37			5-3
	3-7	28	2023594	6-11			4-18	3	2026773	5-3	1
2021293	3-7	2		6-19	13	2023753	3-3	24	2026774	5-3	1
2021294	3-7	2	2023595	6-15			3-18	4	2026775	5-3	22
2021295	3-7	2		6-19	13	2023771	5-3	21	2026776	5-3	3
2021296	3-7	2	2023657	3-14			5-11	24	2026777	5-3	6
2021298	3-7	2	2023658	3-14		2023772	5-3	21	2026778	5-3	6
2021320	3-7	17	2023659	3-14			5-11	24	2026779	5-3	7
2021491	3-3	5	2023660	3-14		2023780	3-7	15	2026780	5-3	8
2021554	3-3	10	2023661	3-14		2023781	3-7	21	2026781	5-3	9
2021555	3-3	11	2023662	3-14		2023782	3-7	18	2026782	5-3	10
2021557	3-3	13	2023663	3-14		2023783	3-7	19	2026783	5-3	20
2021588	3-3	17	2023664	3-14		2023784	3-7	25	2026784	5-3	
2021592	3-3	18	2023665	3-14		2023785	3-7	26	2026785	5-3	
2021793	4-3	15	2023666	3-15		2023792	3-7		2026786	5-3	
2021794	4-3	7	2023667	3-15		2023795	3-3	9	2026787	5-3	
2021801	4-3	34	2023668	3-15		2023835	6-7		2026802	4-17	14
2021802	4-3	32	2023669	3-15		2023836	6-7	21		6-20	44
2021803	4-3	33	2023670	3-15		2023868	1-11	17	2026804	1-12	34
2021804	4-3	26	2023671	3-15			1-15	17	2026813	1-12	33
2021889	4-3	31	2023672	3-15		2023935	6-61	19	2026822	4-4	
2021892	4-3	18	2023673	3-15		2023936	6-61	16	2026848	5-7	21
2021895	4-3	19	2023674	3-15		2023937	6-61	30	2026852	3-3	9
2021898	4-3	35	2023675	3-15		2023938	6-61	27	2026916	3-3	14
2021900	4-3	23	2023676	3-15		2023947	1-11	16	2026917	3-3	15
2021917	3-3	7	2023677	3-15			1-15	16	2033614	4-15	
2021918	3-3	16	2023678	3-17		2023978	1-11	4		4-17	9
2022352	3-7	13	2023679	3-17			1-15	4	2033695	2-46	1
2022555	4-3	4	2023680	3-17		2023979	1-11	8		2-51	11
2022617	6-25	1	2023681	3-17			1-15	7		2-53	13
2022840	3-3	5	2023682	3-17		2026000	1-35	14		10-9	2
2022923	4-4	11	2023683	3-17		2026001	1-35	14		10-11	11
2022946	4-3	12	2023684	3-15	2	2026017	6-3	4	2034094	1-11	13
2023009	3-7	1	2023685	3-16	2		6-7	13		1-15	13
	4-3	13		3-17	2	2026098	3-3	23	2034095	1-11	12
2023418	3-7	10	2023686	3-14	2		3-18	5		1-15	12
2023421	3-3	8		3-16	2	2026493	6-3	5	2034265	4-15	7
	3-7	33		3-17	2		6-7	6	2034266	4-15	2
2023564	3-7	1	2023687	4-19		2026729	4-3	1	2034484	2-21	2
2023565	3-7	9	2023688	4-19		2026731	4-3	9	2034890	2-51	12
2023566	3-7	14	2023690	4-19		2026732	4-3	5		2-53	14
2023567	3-7	6	2023691	4-19		2026733	4-3	8	2035275	2-33	10
2023570	3-7	20	2023692	4-19		2026734	4-3	3		2-33	15
2023572	3-7	7	2023693	4-19		2026735	4-3	6		2-41	26
2023573	3-7	8	2023694	4-19		2026736	4-3	11	2035276	2-29	14
2023576	3-7	34	2023695	4-19	2	2026737	4-3	10		2-33	10
2023577	3-7	34	2023696	4-19	2	2026738	3-7	1		2-33	15
2023578	3-7	34	2023712	3-7	35		4-3	13		2-41	27
2023585	3-3	6	2023713	3-7	36	2026739	4-3	21		2-42	38
2023588	4-20	3	2023714	3-7	36	2026763	3-3	22	2035396	2-21	3
2023589	4-20	3	2023715	3-7	36		5-3		2035598	4-18	1
2023590	4-20	3	2023717	3-3	4	2026764	3-3	21	2035601	3-18	1

NUMERICAL INDEX (continued)

PART NO.	PAGE	ITEM	PART NO.	PAGE	ITEM	PART NO.	PAGE	ITEM	PART NO.	PAGE	ITEM
2035605	3-18	1	2063814	10-11	11	2073123	1-33	11			2-59
2035820	3-18	2	2064030	3-11		2075655	1-35	16	2079960	9-22	31
2036180	6-20	45		3-13		2076074	6-51	21	2079962	7-17	10
2037165	2-3	3	2065674	10-18	1		6-57		2081337	6-7	16
2037544	2-51	3	2065834	1-12	50	2076567	2-6	1	2081341	6-3	22
	2-51	16		1-16	50	2076568	2-6	1		6-7	19
	2-53	3	2065835	1-12	42	2076569	2-6	1	2081342	6-3	10
	2-54	18		1-16	42	2076570	2-6	1		6-7	17
2041472	2-34	16	2065839	1-12	58	2077612	9-3		2081343	6-4	36
	2-42	41	2065986	4-7	30		9-5		2081345	6-7	31
2043528	10-13	3		4-9	43	2077668	8-3			6-51	28
	10-15	5	2065987	4-7	11		8-5		2081346	6-51	17
	10-16			4-9	24		8-7		2081373	6-48	5
2043531	10-13	4	2066643	10-11	20	2077670	8-3		2083363	2-3	29
	10-15	7	2066700	10-5	6		8-5			2-29	
2043533	10-13	5		10-6	6		8-7			2-33	
	10-15	8	2066939	1-12	60	2077671	8-3		2083377	4-18	1
2044302	3-3	5	2067259	2-51			8-5		2083378	3-18	1
2044379	6-67	5		10-5	11		8-7		2083379	3-15	1
2045129	4-7	3		10-11	19	2077675	8-3		2083383	3-17	1
	4-9	3	2067319	10-11	11		8-5		2083384	4-19	1
2045134	2-29	12	2067321	2-46			8-7		2083385	4-19	1
	2-38	42		10-9	2	2077768	6-48	4	2083657	6-65	
2045528	6-55		2068158	8-21	2	2077802	6-3	30	2084241	7-7	13
2045529	6-51	1	2068160	8-21	2	2078579	8-10	31		8-9	14
	6-55			9-17	2	2078733	6-40	2		9-7	7
2045884	5-3	28	2068161	8-21	2		6-45	2	2084703	2-5	10
2046035	6-19	27	2068166	8-21	2	2078734	6-40	2		2-61	
	6-19	27	2068198	8-21			6-47		2085024	9-13	3
2046336	9-11		2068200	8-21		2078735	6-40	2	2085048	8-17	1
2046367	9-9			9-17			6-45	1		8-19	1
2046547	2-30	14	2068201	8-21		2078737	6-40	1	2085050	8-17	1
	2-38	46	2068206	8-21			6-43			8-19	1
2046671	2-3	10	2069276	9-9	1	2078739	6-40		2085052	8-19	1
	2-45			9-11	1	2078741	6-40		2085055	8-17	1
2046756	2-60		2069306	9-11		2078743	6-40			8-19	1
	4-9	18	2069334	9-9		2078814	6-3	25	2085877	1-33	5
2047064	6-67	10	2070392	1-23	4	2079138	7-3		2085878	1-31	4
2047855	6-43	16	2072190	3-5			7-5		2085879	1-31	8
2047859	2-51	8		3-7	30	2079141	7-3		2085880	1-31	9
2048105	4-17	5	2072295	1-12	39		7-5		2085881	1-31	10
	6-3	6		1-16	39	2079143	7-3		2086279	1-11	26
2050719	2-51	8	2072664	1-11	23		7-5			1-15	26
2053761	6-65	11		1-15	23	2079146	7-3		2086280	1-11	31
2056631	2-19	27	2073114	1-33	3		7-5			1-15	31
	2-62		2073115	1-33	2	2079275	2-57		2086281	1-11	26
2060639	10-11	6	2073116	1-33	6		6-3	31		1-15	26
2061646	6-43	5	2073117	1-33	7	2079362	6-61	33	2086282	1-11	31
2061942	10-11	7	2073118	1-33	4	2079363	6-61	33		1-15	31
2062718	2-5	8	2073119	1-33	8	2079364	6-61	35	2086283	1-11	26
2063339	6-51	1	2073121	1-33	9	2079477	1-3	5		1-15	26
	6-53		2073122	1-33	10		1-7	5	2086284	1-12	31

NUMERICAL INDEX (continued)

PART NO.	PAGE	ITEM	PART NO.	PAGE	ITEM	PART NO.	PAGE	ITEM	PART NO.	PAGE	ITEM
	1-16	31	2096365	8-23	15	2304170	2-21	6	4020968	8-19	16
2086285	1-16	33	2096370	8-23	15		2-23	7	4020969	8-27	21
2086286	1-16	34	2096515	6-3	30	2304462	6-65	17		8-33	21
2086556	1-31	1	2096847	6-65		2304572	2-25	4	4033953	10-13	2
2086557	1-31	2	2099222	2-9	1	2305757	4-3	14		10-15	4
2086558	1-31	3	2099223	2-11	1	2307803	2-23	15	4041194	8-27	9
2086559	1-31	7	2099226	2-9	1	2308174	6-67	3	4050832	8-19	29
2086560	1-31	5	2099227	2-11	1	2308856	7-13	1	4057500	8-27	21
2086561	1-31	6	2100181	2-17	15	2308872	6-59	3	4601798	2-5	
2087669	1-23			2-19	15	2308924	7-11	2	4601799	2-5	
2087670	1-23		2103847	2-13	1		7-13	2	4601800	2-5	
2088412	1-27		2103848	2-15	1	2309117	7-13		4601801	2-5	
2088413	1-27		2103851	2-13	1	2309481	6-59	4	4601806	2-5	1
2088414	1-27		2103852	2-15	1	2309579	2-51	3	4601807	2-5	1
2088415	1-27		2105370	2-13	1		2-51	12	4601808	2-5	1
2088416	1-29		2105371	2-15	1		2-51	16	4601809	2-5	1
2088417	1-29		2105374	2-13	1		2-53	3	4608365	8-3	
2088418	1-25	1	2105375	2-15	1		2-53	14		8-5	
2088419	1-25	1	2108031	2-53			2-54	18		8-7	
2088738	1-25	1		10-5	11	2310911	1-35	5	4608367	8-3	
2088739	1-25	1		10-11	19	2311286	6-65	17		8-5	
2088902	2-17	15	2108531	8-31			6-67			8-7	
2089673	1-23	4	2108532	9-19		2311349	1-21		4608368	8-3	
2090160	1-35	24	2109877	8-27	19	2311444	6-67	6		8-5	
2090278	6-4	41	2109879	8-27	19	2311941	3-7	16		8-7	
2093047	1-33	1	2109883	8-27	19	2314121	4-4		4608372	8-3	
2093124	6-65		2110233	8-27	19	2314125	4-4	2		8-5	
2095334	6-19	13	2110338	9-21	6	4002241	6-51	15		8-7	
	6-23		2110434	9-21	5	4008020	8-27	29	4608643	8-27	19
	6-25		2302461	2-23	17		8-33	29		8-33	19
2095335	6-19	13	2302852	2-46	1	4008043	10-15	1	4608645	8-27	19
	6-23			2-51	11	4014363	6-55	8		8-33	19
	6-25			2-53	13	4014808	5-11	1	4608646	8-27	19
2095345	2-3	29		10-9	2	4015128	6-43	18	4608647	8-33	19
	2-37			10-11	11	4015874	5-12		4608650	8-27	19
	2-41		2302899	6-67	2	4016002	5-12	48		8-33	19
2095551	2-17	15	2303239	6-59	1	4016003	5-12	46	4609036	10-15	
	2-19	15	2303249	2-23	12	4016004	5-11	36	4610633	10-15	
2096233	6-51	1	2303325	7-11		4017152	5-12		4611363	10-13	6
	6-53		2303801	2-23	13	4020911	8-19	12		10-15	22
2096331	8-23	14	2303813	6-67	1	4020912	8-19	13	4611607	10-18	2
2096333	8-23	14	2303821	2-21	7	4020913	8-34	34	4611608	10-18	1
2096338	8-23	14		2-23	6	4020914	8-34	35	4618137	2-17	15
2096363	8-23	15	2304117	7-11	1	4020923	8-34	35		2-19	15

